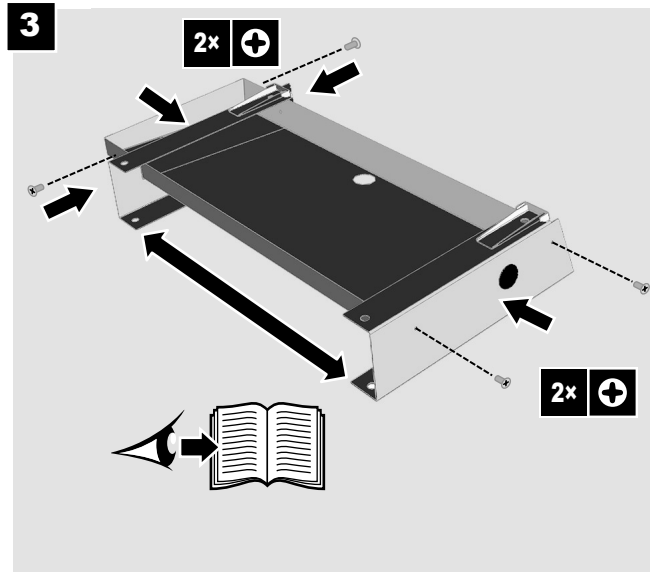
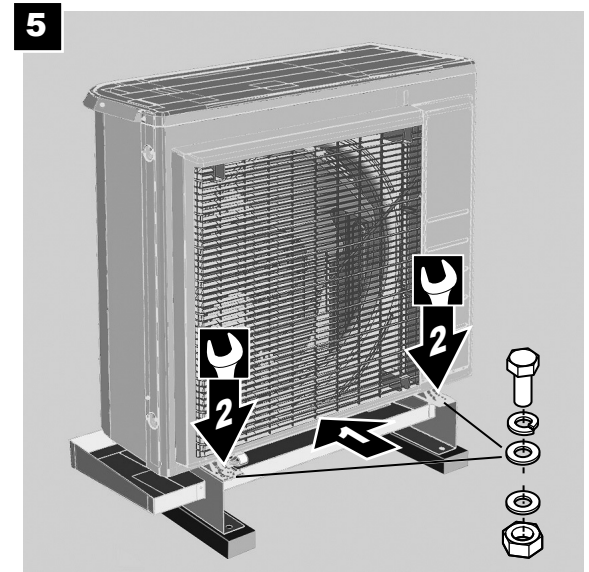
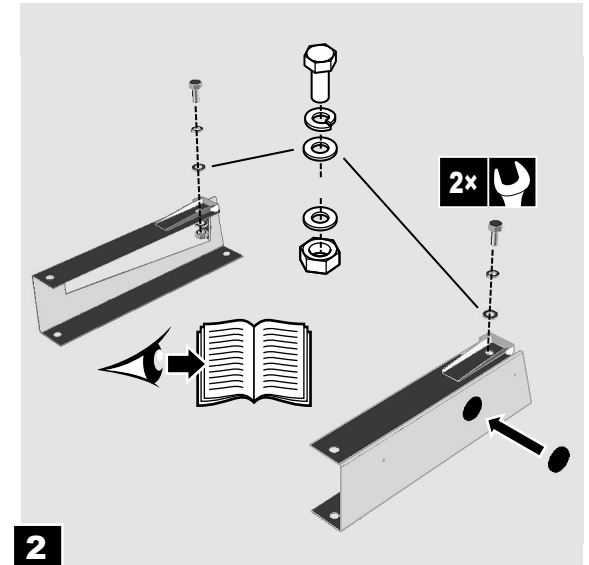
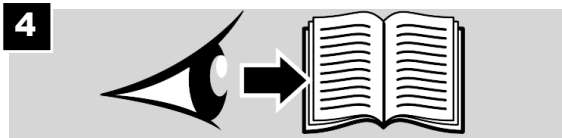
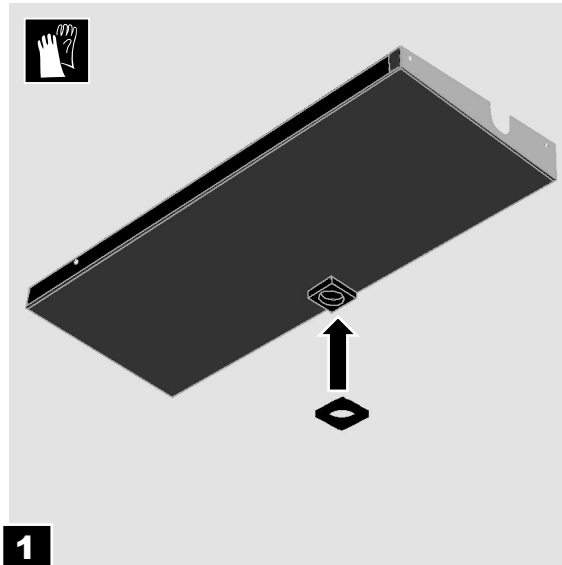
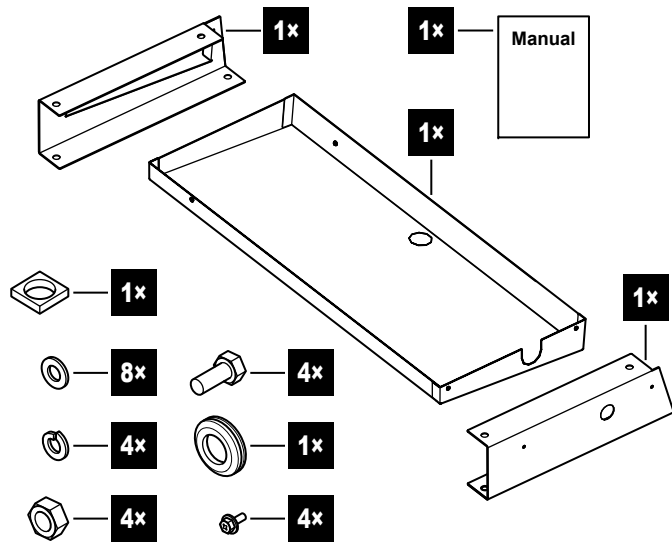


EKDP008D

Drain pan for outdoor unit



DAIKIN EUROPE N.V.

Zandvoordestraat 300, B-8400 Oostende, Belgium



4P497772-1 000000Y

Copyright 2017 Daikin

4P497772-1 2017.06