



**SERIES ARA500 PWM**

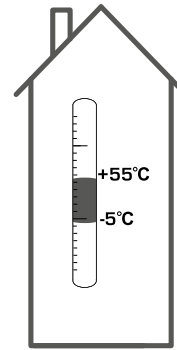


Mtrl.nr: 98140482 Ritr.nr: 9244 vers. C • Rev. 20 05



Series ARA59\_

CE  
LVD 2014/35/EU  
EMC 2014/30/EU  
RoHS 2011/65/EU



ARA598

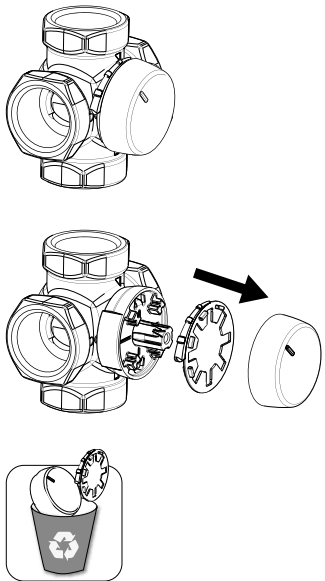


VRG, VRB, VRH

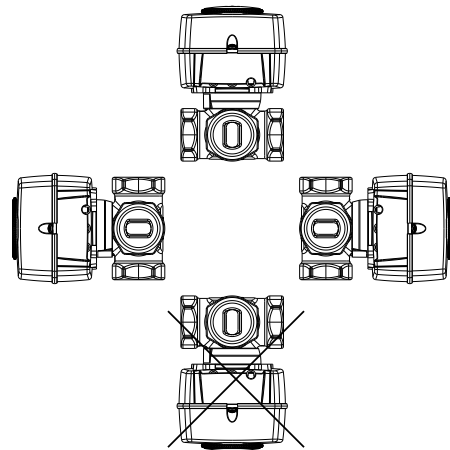


VRC160

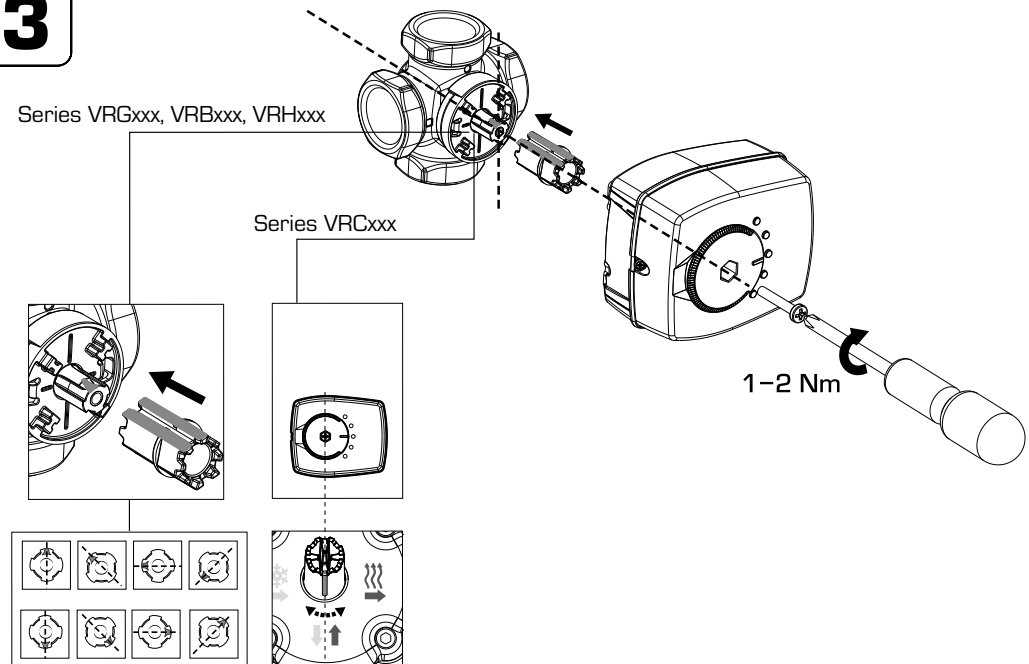
**1**



**2**

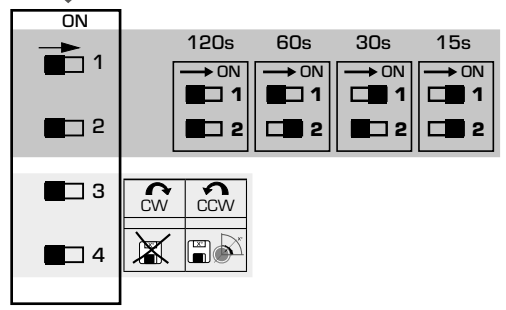
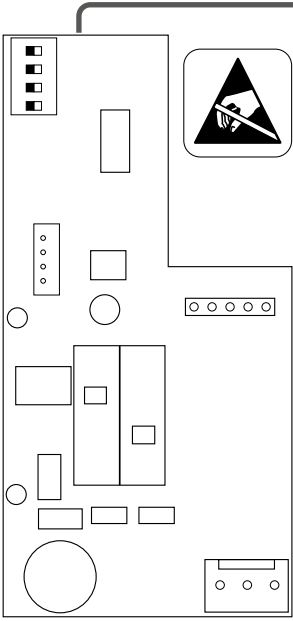


**3**

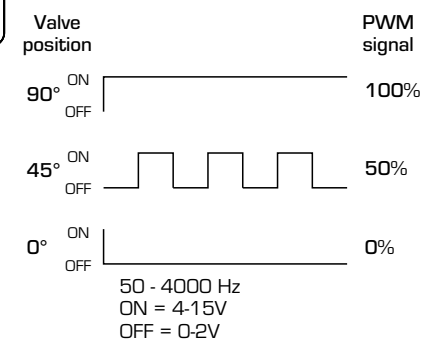




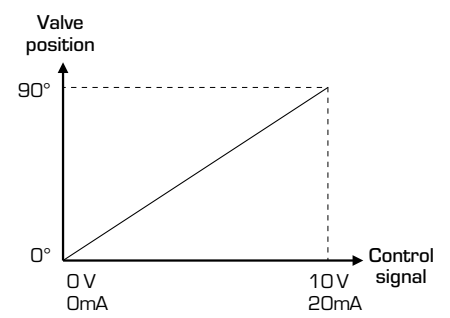
# Series ARA598



# ARA598 PWM



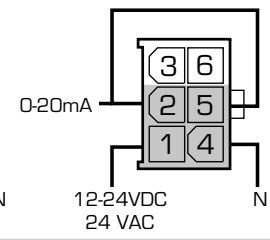
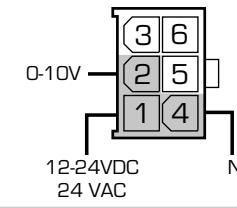
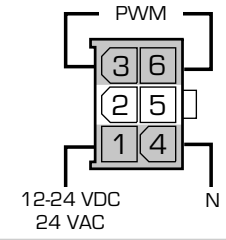
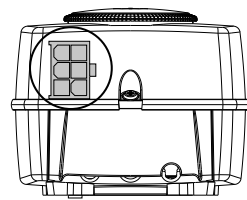
# ARA598 Proportional



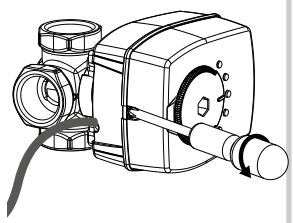
## PWM

## 0 - 10V Proportional

## 0 - 20mA Proportional



1



2



3

