



a member of **DAIKIN** group

# ROTEX

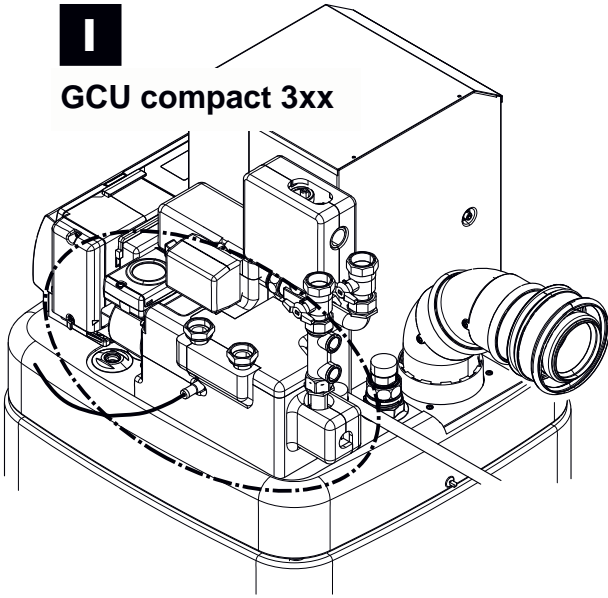
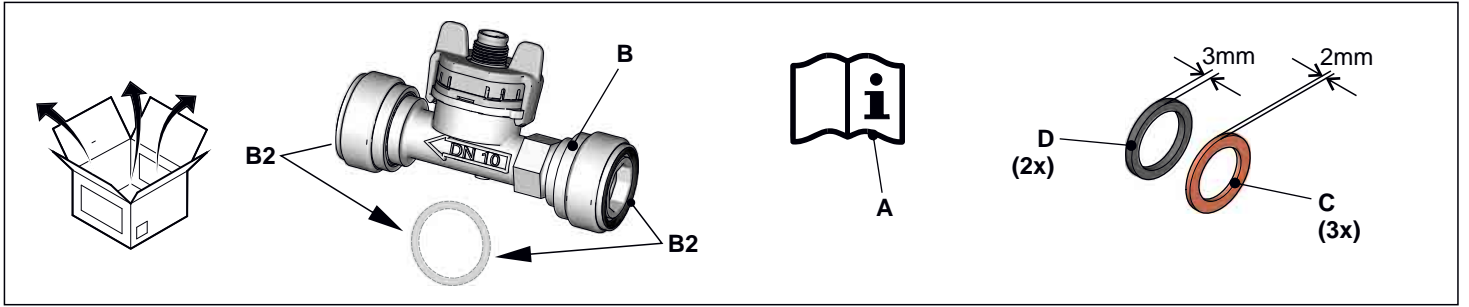
## DFS DN10 GCU compact

 **E1500796**

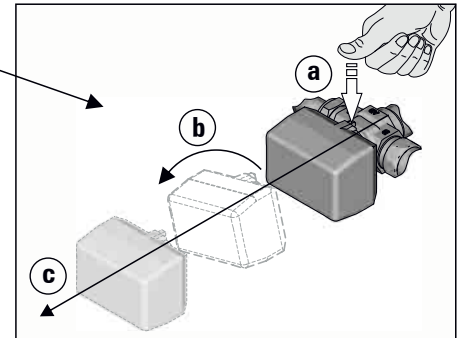
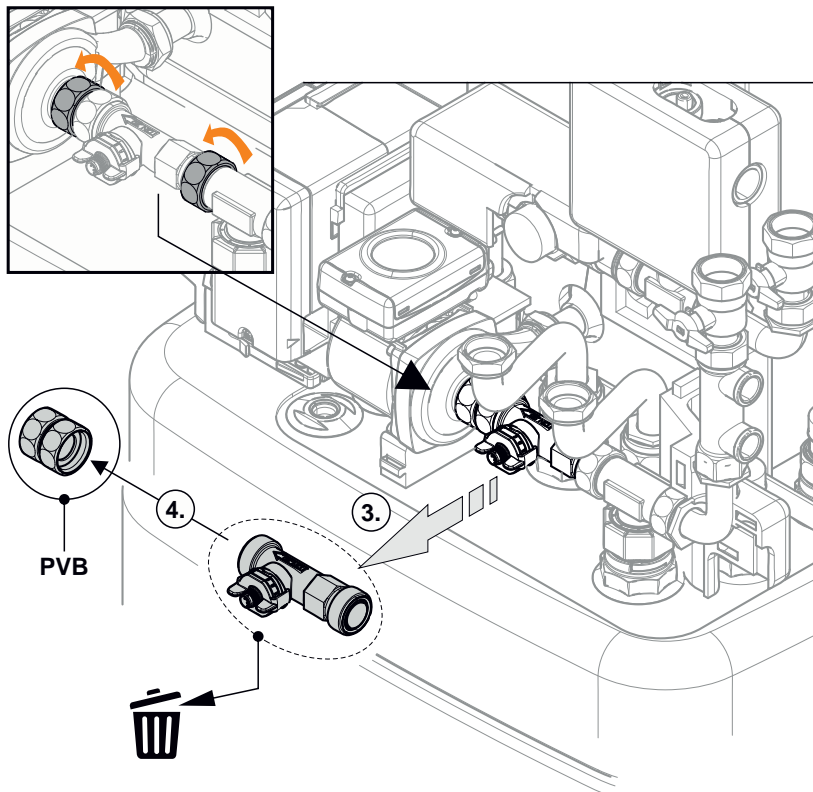
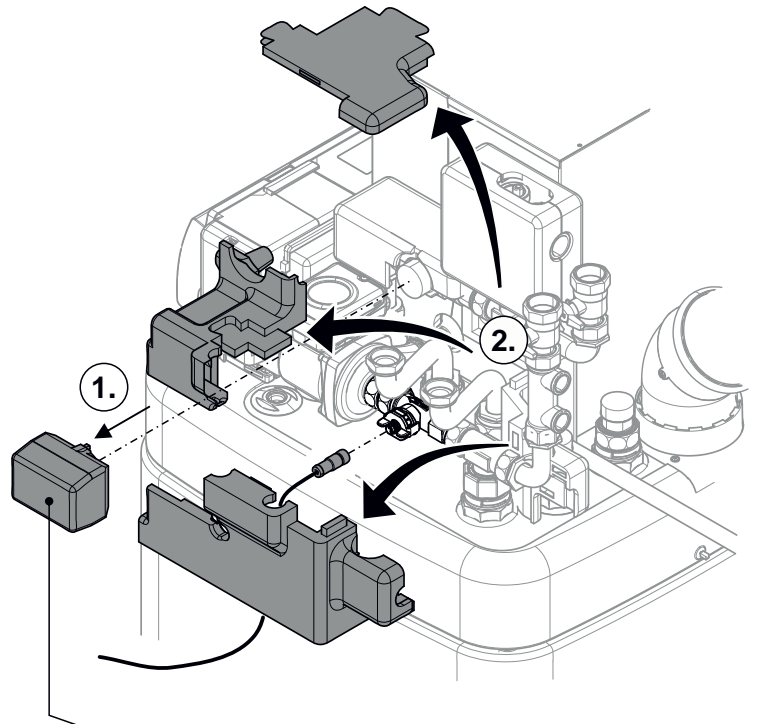
GCU compact 515 Biv  
GCU compact 524 Biv  
~~GCU compact 533 Biv~~  
GCU compact 515  
GCU compact 524  
~~GCU compact 533~~

GCU compact 315 Biv  
GCU compact 324 Biv  
GCU compact 315  
GCU compact 324



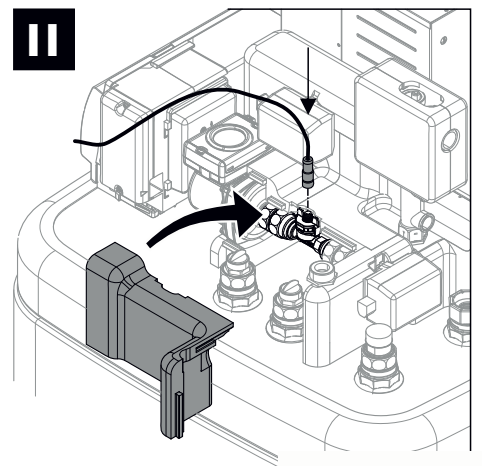
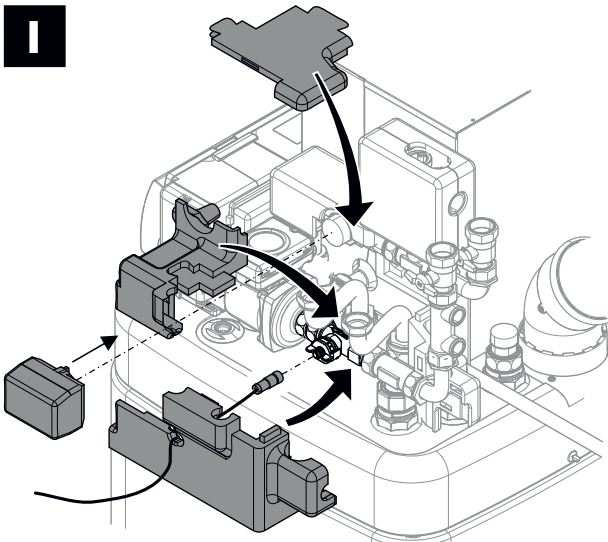
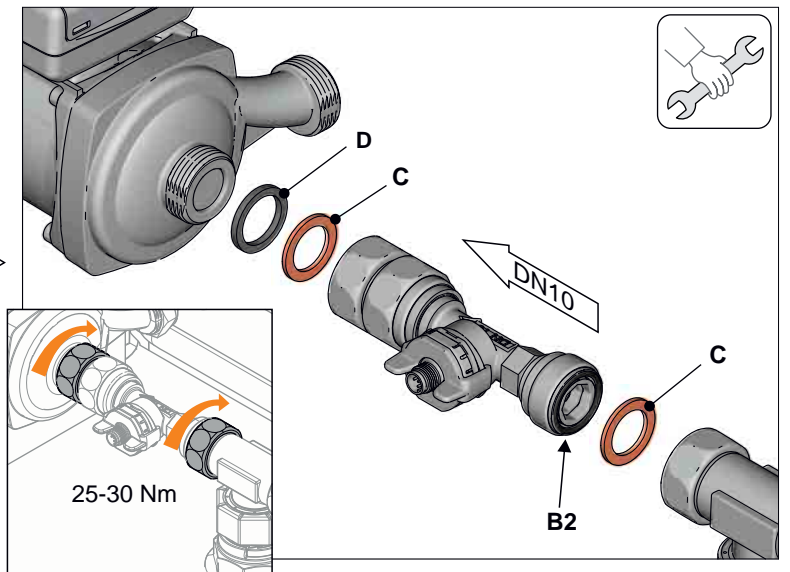
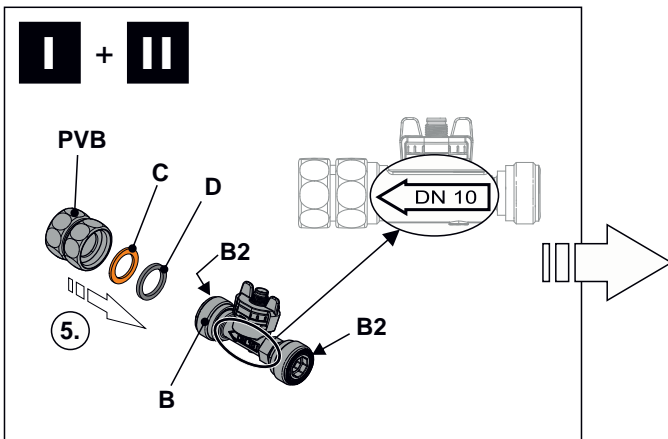
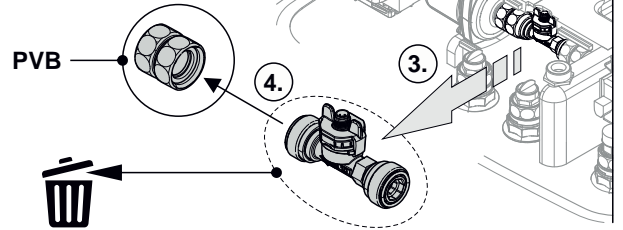
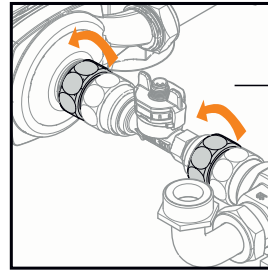
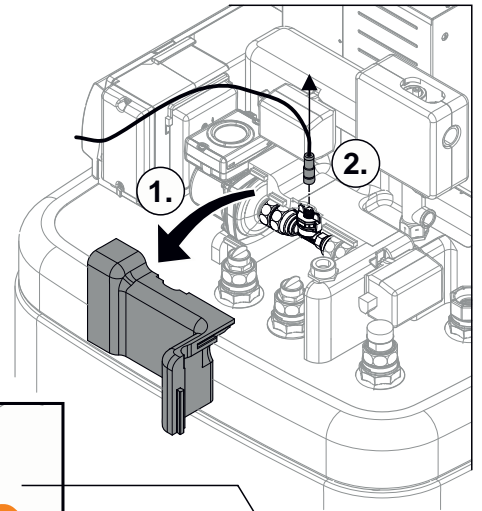
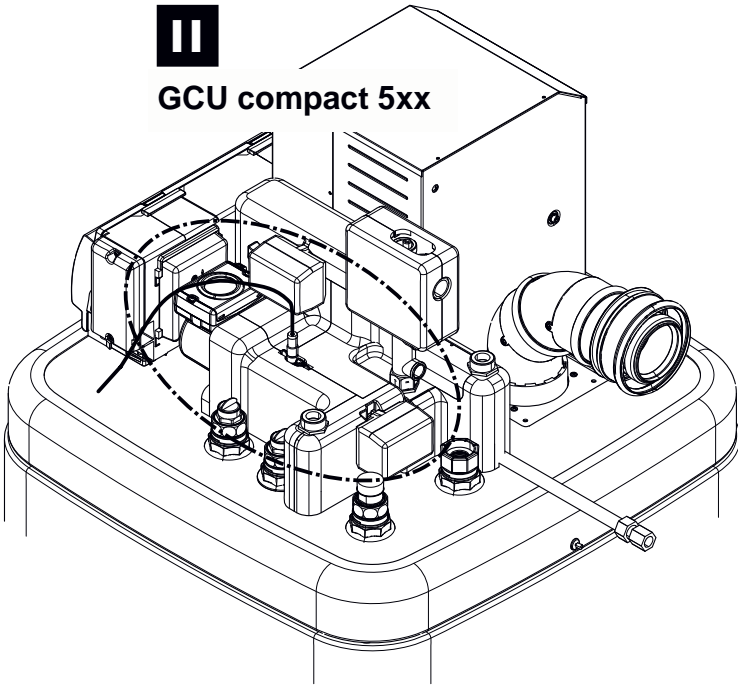


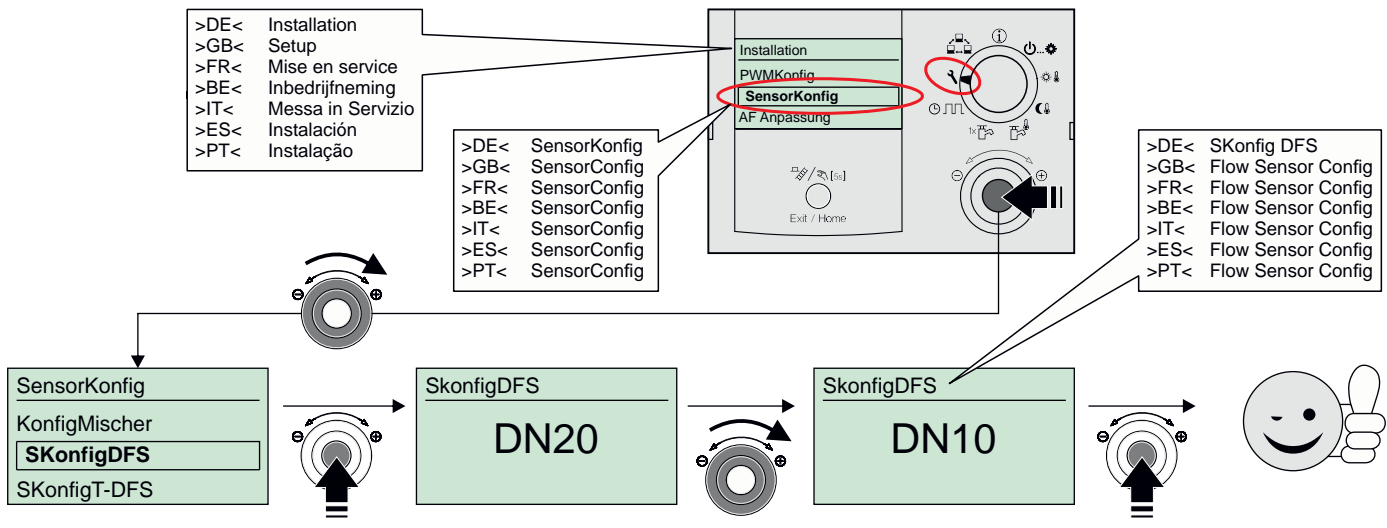
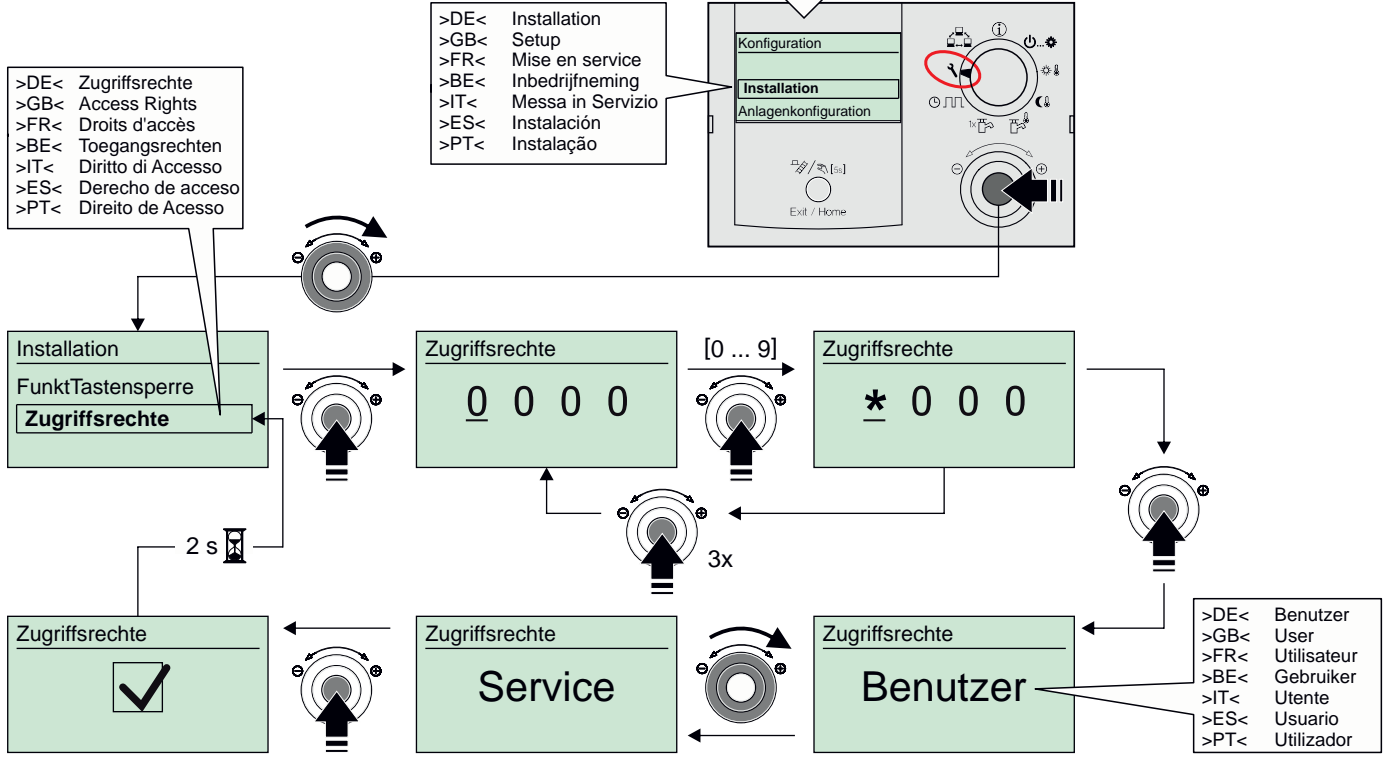
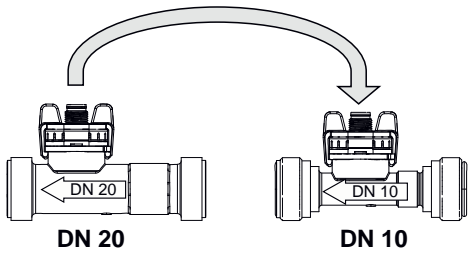
**I**  
GCU compact 3xx





### GCU compact 5xx





© ROTEX · KA E1500796 - DFS DN10 - GCU compact · Irrtum und technische Änderungen vorbehalten · 008.15 349 99\_03 · 03/2015

a member of DAIKIN group



ROTEX Heating Systems GmbH  
 Langwiesenstraße 10  
 D-74363 Güglingen  
 www.rotex-heating.com

