

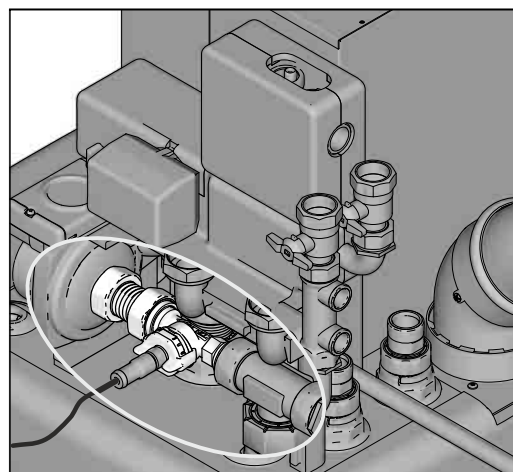


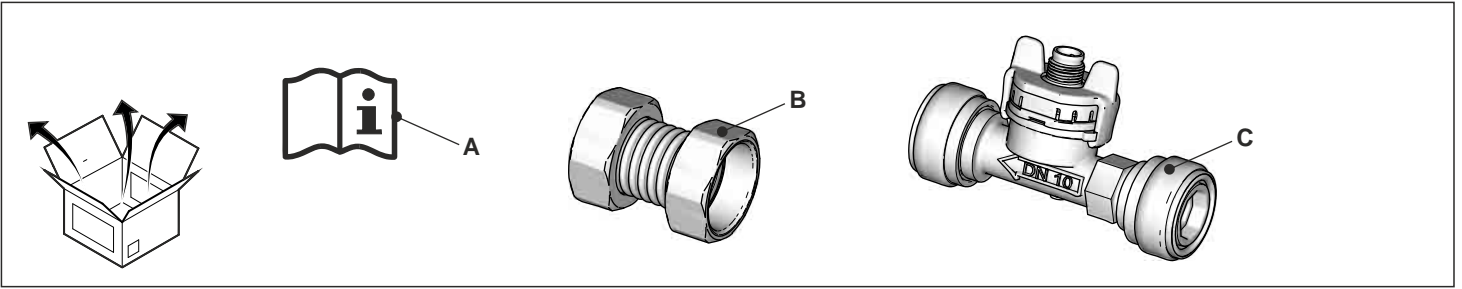
a member of **DAIKIN** group

ROTEX

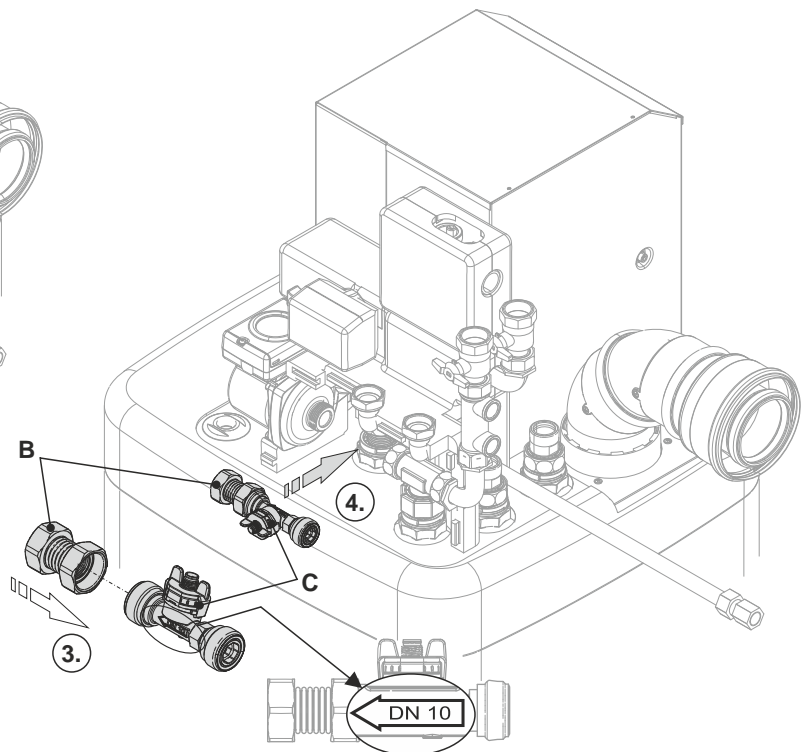
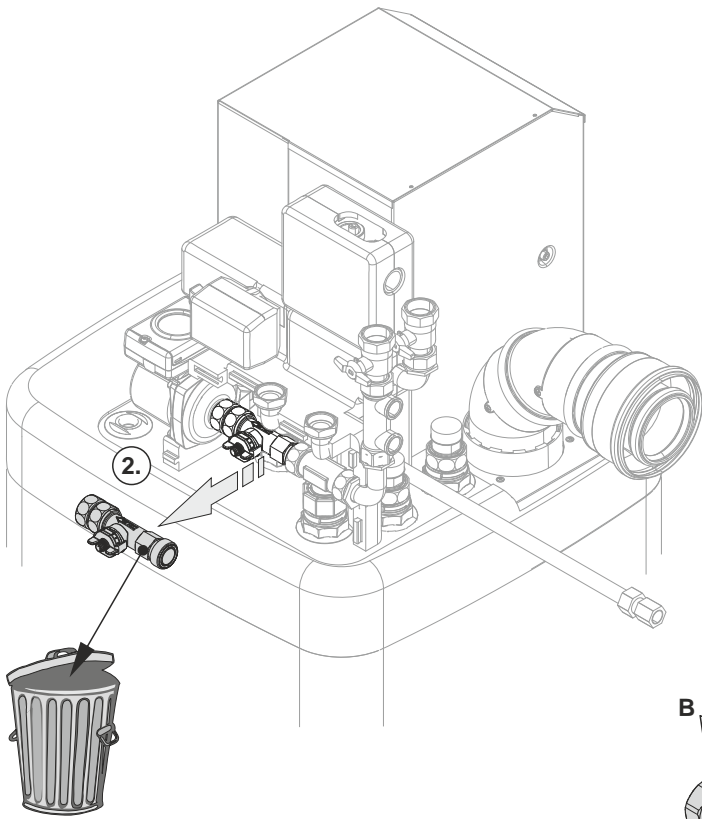
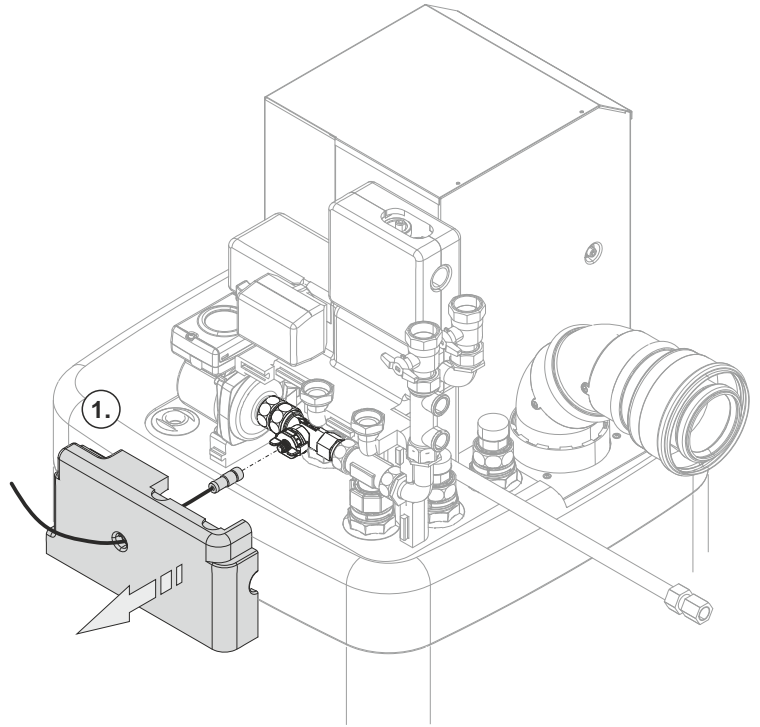
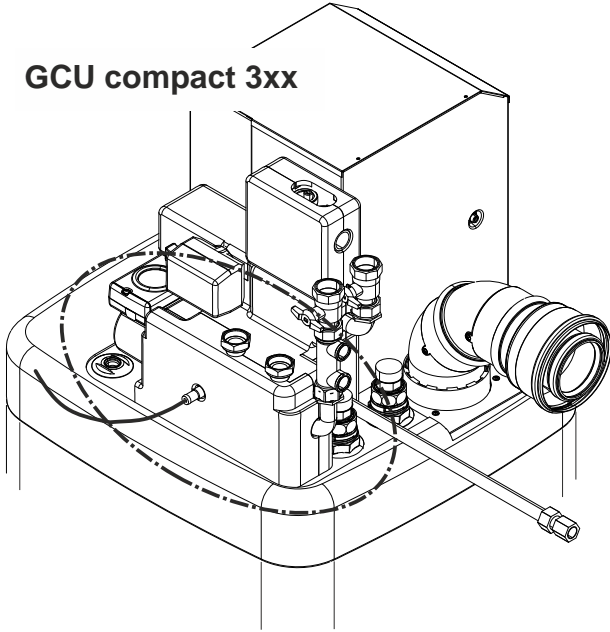
DFS DN10 GCU compact 3xx

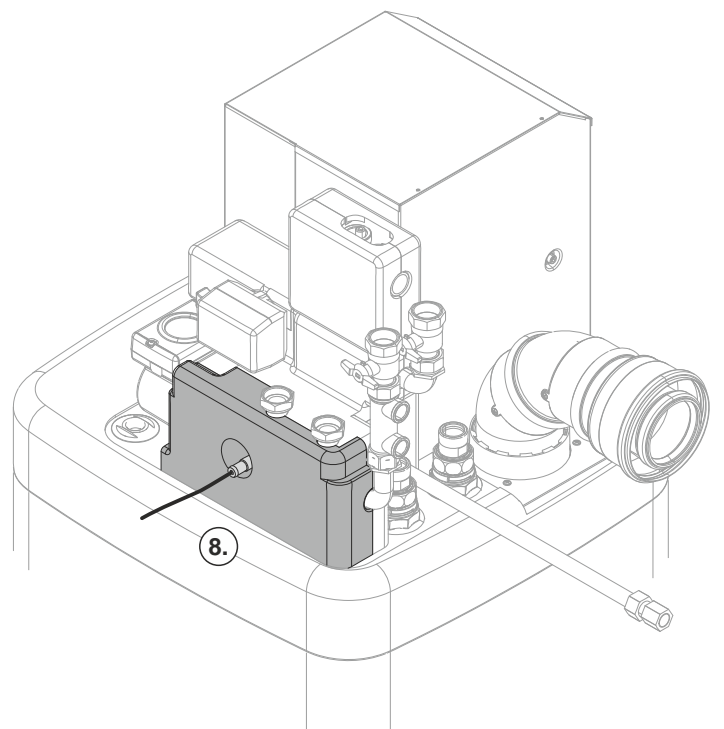
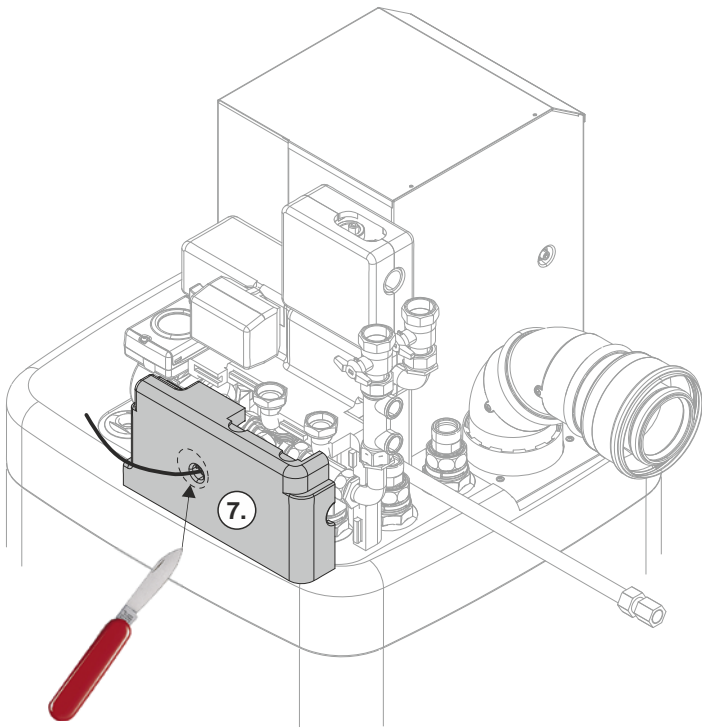
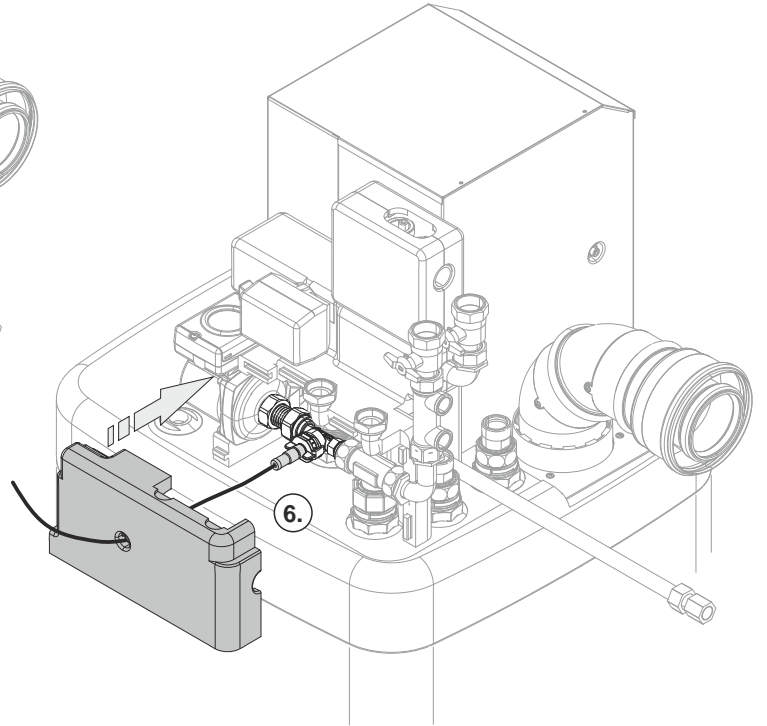
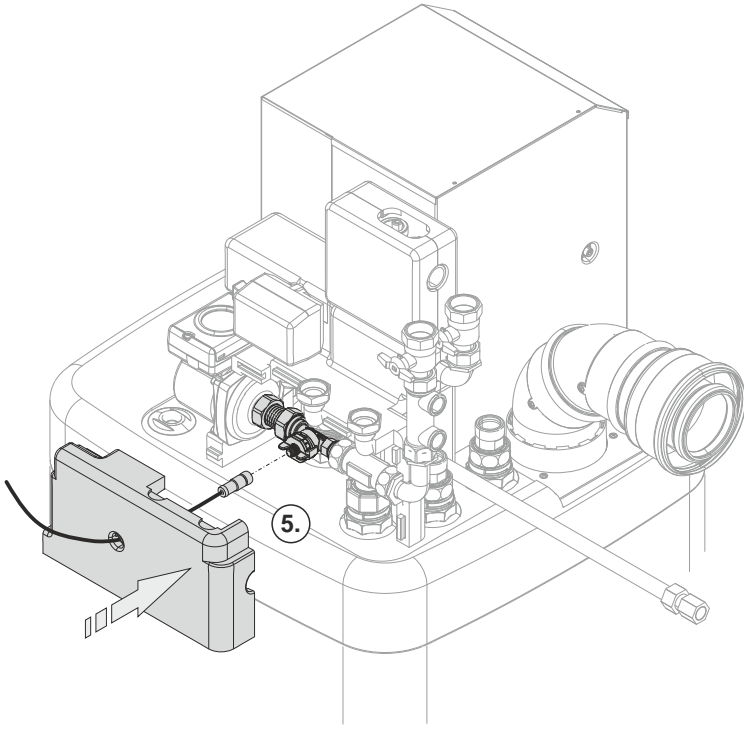
 **E1500796**





GCU compact 3xx

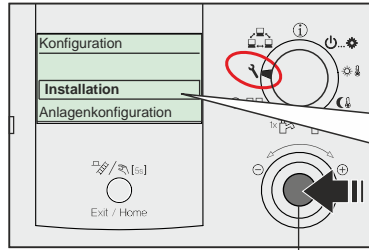




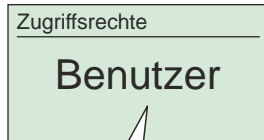
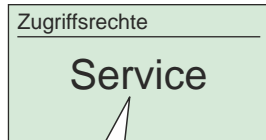
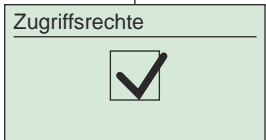
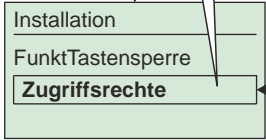


9.

- >DE< Zugriffsrechte
- >GB< Access Rights
- >FR< Droits d'accès
- >BE< Toegangsrechten
- >IT< Diritto di Accesso
- >ES< Derecho de acceso
- >PT< Direito de Acesso



- >DE< Installation
- >GB< Setup
- >FR< Mise en service
- >BE< Inbedrijfning
- >IT< Messa in Servizio
- >ES< Instalación
- >PT< Instalação

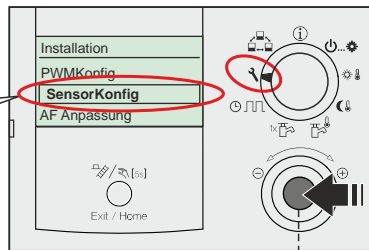


- >DE< Service
- >GB< Service
- >FR< Service
- >BE< Service
- >IT< Service
- >ES< Service
- >PT< Service

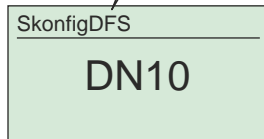
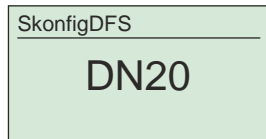
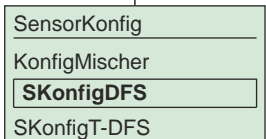
- >DE< Benutzer
- >GB< User
- >FR< Utilisateur
- >BE< Gebruiker
- >IT< Utente
- >ES< Usuario
- >PT< Utilizador

10.

- >DE< SensorKonfig
- >GB< SensorConfig
- >FR< SensorConfig
- >BE< SensorConfig
- >IT< SensorConfig
- >ES< SensorConfig
- >PT< SensorConfig



- >DE< SKonfig DFS
- >GB< Flow Sensor Config
- >FR< Flow Sensor Config
- >BE< Flow Sensor Config
- >IT< Flow Sensor Config
- >ES< Flow Sensor Config
- >PT< Flow Sensor Config



a member of **DAIKIN** group

ROTEX

ROTEX Heating Systems GmbH

Langwiesenstraße 10

D-74363 Güglingen

Fon +49 (71 35) 103-0

Fax +49 (71 35) 103-200

e-mail info@rotex.de

www.rotex.de