

Hydrobox

Гидромодуль без накопительного бака ГВС

EHSC series

EHSD series

EHSE series

EHPX series

ERSC series

ERSD series

ERSE series

INSTALLATION MANUAL

FOR INSTALLER

English

INSTALLATIONSHANDBUCH

FÜR INSTALLATEUR

Deutsch

MANUEL D'INSTALLATION

POUR L'INSTALLATEUR

Français

INSTALLATIEHANDLEIDING

VOOR DE INSTALLATEUR

Nederlands

РУКОВОДСТВО ПО УСТАНОВКЕ

ДЛЯ УСТАНОВИТЕЛЯ

Русский

ПОСІБНИК З УСТАНОВЛЕННЯ

ДЛЯ СПЕЦІАЛІСТА З МОНТАЖУ

Українська

РЪКОВОДСТВО ЗА МОНТАЖ

ЗА МОНТАЖНИКА

Български

INSTRUKCJA MONTAŻU

DLA INSTALATORA

Polski

INSTALAČNÍ PŘÍRUČKA

PRO MONTÁŽNÍ PRACOVNÍKY

Čeština

NÁVOD NA INŠTALÁCIU

PRE MONTÉRA

Slovenčina

TELEPÍTÉSI KÉZIKÖNYV

A TELEPÍTŐ RÉSZÉRE

Magyar

1. Safety Notices 2
 2. Introduction 3
 3. Technical Information 4
 4. Installation11
 4.1 Location11
 4.2 Water Quality and System Preparation 13
 4.3 Water Pipe Work..... 14
 4.4 Electrical Connection 16
 5. System Set UP 18
 5.1 DIP Switch Functions 18
 5.2 Connecting inputs/outputs 19
 5.3 Wiring for 2-zone temperature control 20
 5.4 Indoor unit only operation (during installation work)... 21
 5.5 Using SD memory card..... 21
 5.6 Main remote controller..... 22
 6. Service and Maintenance 29



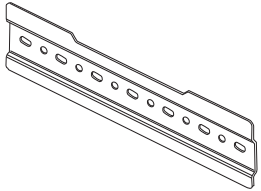
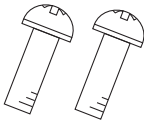
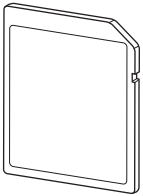
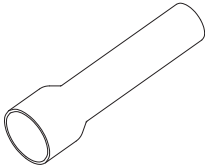
<http://www.mitsubishielectric.com/ldg/ibim/>

If you want more information that is not written in this manual, go to the above website to download manuals, select model name, then choose language.

Contents of website manual

- Energy monitor
- Room thermostat
- Filling the system
- Simple 2 zone system
- Independent electrical power source
- Smart grid ready
- DHW tank for Hydrobox
- Remote controller options
- Service menu (special setting)
- Supplementary information

en

Accessories (included)			
Back plate	Screw M5×8	SD memory card	Joint pipe*
			
1	2	1	1

* Only E*SE series

Abbreviations and glossary

No.	Abbreviations/Word	Description
1	Compensation curve mode	Space heating incorporating outdoor ambient temperature compensation
2	COP	Coefficient of Performance the efficiency of the heat pump
3	Cooling mode	Space cooling through fan-coils or underfloor cooling
4	DHW mode	Domestic hot water heating mode for showers, sinks, etc
5	Flow temperature	Temperature at which water is delivered to the primary circuit
6	Freeze stat. function	Heating control routine to prevent water pipes freezing
7	FTC	Flow temperature controller, the circuit board in charge of controlling the system
8	Heating mode	Space heating through radiators or Underfloor heating
9	Hydrobox	Indoor unit housing the component plumbing parts (NO DHW tank)
10	Legionella	Bacteria potentially found in plumbing, showers and water tanks that may cause Legionnaires disease
11	LP mode	Legionella prevention mode – a function on systems with water tanks to prevent the growth of legionella bacteria
12	Packaged model	Plate heat exchanger (Refrigerant - Water) in the outdoor heat pump unit
13	PRV	Pressure relief valve
14	Return temperature	Temperature at which water is delivered from the primary circuit
15	Split model	Plate heat exchanger (Refrigerant - Water) in the indoor unit
16	TRV	Thermostatic radiator valve – a valve on the entrance or exit of the radiator panel to control the heat output

1 Safety Notices

Please read the following safety precautions carefully.





⚠ WARNING:
Precautions that must be observed to prevent injuries or death.

⚠ CAUTION:
Precautions that must be observed to prevent damage to unit.

This installation manual along with the user manual should be left with the product after installation for future reference.
Mitsubishi Electric is not responsible for the failure of locally-supplied parts.

- Be sure to perform periodical maintenance.
- Be sure to follow your local regulations.
- Be sure to follow the instructions provided in this manual.

MEANINGS OF SYMBOLS DISPLAYED ON THE UNIT

	WARNING (Risk of fire)	This mark is for R32 refrigerant only. Refrigerant type is written on nameplate of outdoor unit. In case that refrigerant type is R32, this unit uses a flammable refrigerant. If refrigerant leaks and comes in contact with fire or heating part, it will create harmful gas and there is risk of fire.
		Read the OPERATION MANUAL carefully before operation.
		Service personnel are required to carefully read the OPERATION MANUAL and INSTALLATION MANUAL before operation.
		Further information is available in the OPERATION MANUAL, INSTALLATION MANUAL, and the likes.

⚠ ⚠ WARNING

Mechanical

- The hydrobox and outdoor units must not be installed, disassembled, relocated, altered or repaired by the user. Ask an authorised installer or technician. If the unit is installed improperly or modified after installation, water leakage, electric shock or fire may result.
- The outdoor unit should be securely fixed to a hard level surface capable of bearing its weight.
- The hydrobox should be positioned on a hard vertical surface capable of supporting its filled weight to prevent excessive sound or vibration.
- Do not position furniture or electrical appliances below the outdoor unit or hydrobox.
- The discharge pipework from the emergency/safety devices of the hydrobox should be installed according to local law.
- Only use accessories and replacement parts authorised by Mitsubishi Electric ask a qualified technician to fit the parts.

Electrical

- All electrical work should be performed by a qualified technician according to local regulations and the instructions given in this manual.
- The units must be powered by a dedicated power supply and the correct voltage and circuit breakers must be used.
- Wiring should be in accordance with national wiring regulations. Connections must be made securely and without tension on the terminals.
- Earth unit correctly.

General

- Keep children and pets away from both the hydrobox and outdoor units.
- Do not use the hot water produced by the heat pump directly for drinking or cooking. This could cause illness to the user.
- Do not stand on the units.
- Do not touch switches with wet hands.
- Annual maintenance checks on both the hydrobox and the outdoor unit should be conducted by a qualified person.
- Do not place containers with liquids on top of the hydrobox. If they leak or spill onto the hydrobox damage to the unit and/or fire could occur.
- Do not place any heavy items on top of the hydrobox.
- When installing, relocating, or servicing the hydrobox, use only the heat pump's specified refrigerant to charge the refrigerant lines. Do not mix it with any other refrigerant and do not allow air to remain in the lines. If air is mixed with the refrigerant, then it can be the cause of abnormal high pressure in the refrigerant line, and may result in an explosion and other hazards.
- The use of any refrigerant other than that specified for the system will cause mechanical failure or system malfunction or unit breakdown. In the worst case, this could lead to a serious impediment to securing product safety.
- In heating mode, to avoid the heat emitters being damaged by excessively hot water, set the target flow temperature to a minimum of 2°C below the maximum allowable temperature of all the heat emitters. For Zone2, set the target flow temperature to a minimum of 5°C below the maximum allowable flow temperature of all the heat emitters in Zone2 circuit.
- Do not install the unit where combustible gases may leak, be produced, flow, or accumulate. If combustible gas accumulates around the unit, fire or explosion may result.
- Do not use means to accelerate the defrosting process or to clean, other than those recommended by the manufacturer.
- The appliance shall be stored in a room without continuously operating ignition sources (for example: open flames, an operating gas appliance or an operating electric heater).
- Do not pierce or burn.
- Be aware that refrigerants may not contain an odour.
- Pipe-work shall be protected from physical damage.
- The installation of pipe-work shall be kept to a minimum.
- Compliance with national gas regulations shall be observed.
- Keep any required ventilation openings clear of obstruction.
- Do not use low temperature solder alloy in case of brazing the refrigerant pipes.

en

1 Safety Notices

CAUTION

Use clean water that meets local quality standards on the primary circuit.

The outdoor unit should be installed in an area with sufficient airflow according to the diagrams in the outdoor unit installation manual.

The hydrobox should be located inside to minimise heat loss.

Water pipe-runs on the primary circuit between outdoor and indoor unit should be kept to a minimum to reduce heat loss.

Ensure condensate from outdoor unit is piped away from the base to avoid puddles of water.

Remove as much air as possible from water circuit.

Refrigerant leakage may cause suffocation. Provide ventilation in accordance with EN378-1.

Be sure to wrap insulation around the piping. Direct contact with the bare piping may result in burns or frostbite.

Never put batteries in your mouth for any reason to avoid accidental ingestion.

Battery ingestion may cause choking and/or poisoning.

If power to the hydrobox is to be turned off (or system switched off) for a long time, the water should be drained.

Preventative measures should be taken against water hammer, such as installing a Water Hammer Arrestor on the primary water circuit, as directed by the manufacturer.

In order to prevent condensation on emitters, adjust flow temperature appropriately and also set the lower limit of the flow temperature on site.

As for the handling of refrigerant, refer to the outdoor unit installation manual.

en

2 Introduction

The purpose of this installation manual is to instruct competent persons how to safely and efficiently install and commission the hydrobox system. The target readers of this manual are competent plumbers and/or refrigeration engineers

who have attended and passed the requisite Mitsubishi Electric product training and have appropriate qualifications for installation of an unvented hot water hydrobox specific to their country.

3 Technical Information

Product specification

Model name	EHSD-MED	EHSD-VM2D	EHSD-VM6D	EHSD-VM9D	EHSD-YM9ED	EHSD-TM9D	ERSD-MED	ERSD-VM2D	ERSD-VM6D	ERSD-VM9D	EHSC-MED	EHSC-VM2D	EHSC-VM6D	EHSC-VM9D	EHSC-YM9ED	EHSC-TM9D	ERSC-MED	ERSC-VM2D	ERSC-VM6D	ERSC-VM9D	ERSE-MED	ERSE-YM9ED	ERSE-VM2D	ERSE-VM6D	ERSE-VM9D		
Overall unit dimensions (Height x Width x Depth)	800 x 530 x 360 mm																										
Weight (empty)	36 kg	43 kg	44 kg	44 kg	40 kg	44 kg	38 kg	44 kg	44 kg	40 kg	44 kg	40 kg	47 kg	48 kg	48 kg	48 kg	41 kg	48 kg	48 kg	48 kg	43 kg	43 kg	48 kg	48 kg	48 kg	64 kg	62 kg
Weight (full)	38 kg	48 kg	49 kg	49 kg	45 kg	49 kg	39 kg	50 kg	50 kg	45 kg	49 kg	42 kg	53 kg	54 kg	54 kg	44 kg	54 kg	54 kg	54 kg	50 kg	50 kg	54 kg	54 kg	54 kg	74 kg	72 kg	
Water volume of heating circuit in the unit *1	1.7 kg	5.2 kg	5.2 kg	5.2 kg	5.2 kg	5.2 kg	1.7 kg	5.2 kg	5.2 kg	5.2 kg	5.2 kg	2.6 kg	6.1 kg	6.1 kg	6.1 kg	2.6 kg	6.1 kg	6.1 kg	6.1 kg	6.1 kg	6.1 kg	6.1 kg	6.1 kg	6.1 kg	10.0 kg	10.0 kg	
Unvented expansion vessel (Primary heating)	—	10 L	10 L	10 L	—	10 L	—	10 L	10 L	10 L	10 L	—	10 L	10 L	10 L	—	10 L	—	10 L	—	—	—	—	—	—	—	—
Charge pressure	—	1 bar	1 bar	1 bar	—	1 bar	—	1 bar	1 bar	1 bar	1 bar	—	1 bar	1 bar	1 bar	—	1 bar	—	1 bar	—	—	—	—	—	—	—	—
Control thermistor	1 - 80°C																										
Pressure relief valve	0.3 MPa (3bar)																										
Flow sensor	Min. flow 5.0 L/min (See table 4.3.1 about water flow rate range)																										
Manual reset thermostat	—	90°C	90°C	90°C	90°C	90°C	—	90°C	90°C	90°C	—	90°C	90°C	90°C	90°C	—	90°C	—	90°C	—	—	—	—	—	—	—	—
Thermal Cut-out (for dry run prevention)	—	121°C	121°C	121°C	121°C	121°C	—	121°C	121°C	121°C	—	121°C	121°C	121°C	121°C	—	121°C	—	121°C	—	—	—	—	—	—	—	—
Water (primary circuit)	G1-A																										
Refrigerant (R32/ R410A)	Liquid																										
Gas	6.35 mm																										
Heating	12.7 mm																										
Cooling	15.88 mm																										
Flow temperature	20 - 60°C																										
Cooling	5 - 25°C																										
Room temperature	10 - 30°C																										
Cooling	—																										
Ambient *2	0 - 35°C (≤ 80 %RH)																										
Outdoor temperature	See outdoor unit spec table.																										
Heating	—																										
Cooling	*3																										
Power supply (Phase, voltage, frequency)	~N, 230 V, 50 Hz																										
Breaker (when powered from independent source)	10A																										
Power supply (Phase, voltage, frequency)	—	~N, 230 V, 50 Hz	3~ 400 V, 50 Hz	3~ 230 V, 50 Hz	3~ 400 V, 50 Hz	3~ 230 V, 50 Hz	—	~N, 230 V, 50 Hz	~N, 230 V, 50 Hz	~N, 230 V, 50 Hz	—	~N, 230 V, 50 Hz	~N, 230 V, 50 Hz	3~ 400 V, 50 Hz	3~ 230 V, 50 Hz	—	—	~N, 230 V, 50 Hz	~N, 230 V, 50 Hz	3~ 400 V, 50 Hz	3~ 230 V, 50 Hz	—	—	~N, 230 V, 50 Hz	3~ 400 V, 50 Hz	3~ 400 V, 50 Hz	—
Capacity	—	2 kW	2 kW +4 kW	3 kW +6 kW	3 kW +6 kW	3 kW +6 kW	—	2 kW	2 kW +4 kW	2 kW +4 kW	—	2 kW	2 kW +4 kW	3 kW +6 kW	3 kW +6 kW	—	—	2 kW	2 kW +4 kW	3 kW +6 kW	3 kW +6 kW	—	—	—	2 kW +6 kW	3 kW +6 kW	—
Current	—	9 A	26 A	23 A	23 A	23 A	—	9 A	13 A	13 A	—	9 A	26 A	13 A	23 A	—	—	9 A	26 A	13 A	23 A	—	—	—	9 A	13 A	—
Breaker	—	16 A	32 A	32 A	32 A	32 A	—	16 A	16 A	16 A	—	16 A	32 A	16 A	32 A	—	—	16 A	16 A	16 A	32 A	—	—	—	16 A	16 A	—
Sound power level	41 dB(A)																										
	40 dB(A)																										
	45 dB(A)																										

<Table 3.1>

*1 Piping to Expansion vessel is not included in this value.
 *2 The environment must be frost-free.
 *3 See outdoor unit spec table. (min. 10°C)
 Cooling mode is not available in low outdoor temperature.
 If you use our system in cooling mode at the low ambient temperature (10°C or below), there are some risks of plate heat exchanger damages by frozen water.

Model name	EHSE-YM9ED	EHPX-MED	EHPX-MED	EHPX-MED	EHPX-VM2D	EHPX-VM6D	EHPX-VM9D	EHPX-YM9ED	
Overall unit dimensions (Height x Width x Depth)	950 x 600 x 360 mm								
Weight (empty)	63 kg	61 kg	28 kg	35 kg	37 kg	37 kg	37 kg	32 kg	
Weight (full)	73 kg	71 kg	29 kg	40 kg	41 kg	41 kg	41 kg	37 kg	
Water volume of heating circuit in the unit *1	10.0 kg	10.0 kg	1.0 kg	4.5 kg	4.5 kg	4.5 kg	4.5 kg	4.5 kg	
Unvented expansion vessel(Primary heating)	Nominal volume Charge pressure Control thermostat 1 - 80°C								
Safety device	Water circuit (Primary)								
	Pressure relief valve Flow sensor Manual reset thermostat Thermal Cut-out (for dry run prevention)								
Connections	Water (primary circuit)								
	Refrigerant (R32/R410A)	Liquid	952 mm	G1-A					
Target temperature range	Heating	Gas	25.4 mm (Brazing)						
	Cooling								
	Room temperature								
	Cooling								
Guaranteed operating range	Ambient *2	0 - 35°C (≤ 80 %RH)							
	Outdoor temperature	See outdoor unit spec table							
Electrical data	Control board (Including 4 pumps)	~N, 230 V, 50 Hz							
	Booster heater	Power supply (Phase, voltage, frequency)	10A						
		Breaker (*when powered from independent source)							
		Power supply (Phase, voltage, frequency)	3~, 400 V, 50 Hz	—	—	~N, 230 V, 50 Hz	~N, 230 V, 50 Hz	3~, 400 V, 50 Hz	3~, 400 V, 50 Hz
Sound power level	Capacity	3 kW +6 kW	—	—	2 kW +4 kW	3 kW +6 kW	3 kW +6 kW	3 kW +6 kW	
	Current	13 A	—	—	9 A	26 A	13 A	13 A	
	Breaker	16 A	—	—	16 A	32 A	16 A	16 A	

<Table 3.2>

*1 Piping to Expansion vessel is not included in this value.

*2 The environment must be frost-free.

*3 See outdoor unit spec table. (min. 10°C)

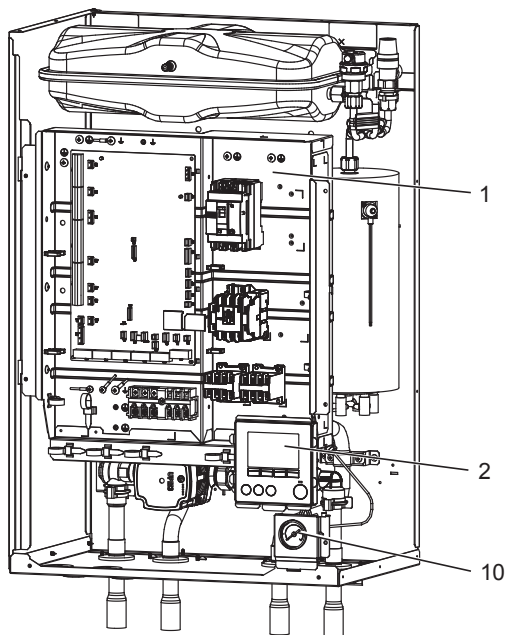
Cooling mode is not available in low outdoor temperature.

If you use our system in cooling mode at the low ambient temperature (10°C or below), there are some risks of plate heat exchanger damages by frozen water.

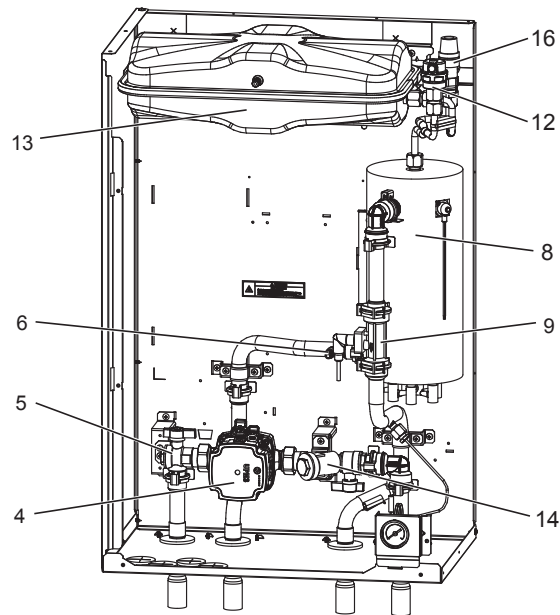
3 Technical Information

■ Component Parts

<EHPX-*M*D> (Packaged model system)

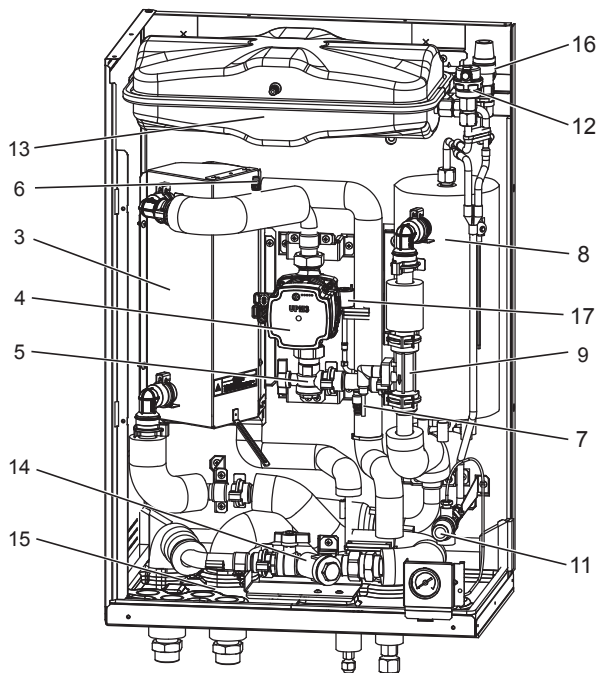


<Figure 3.1>



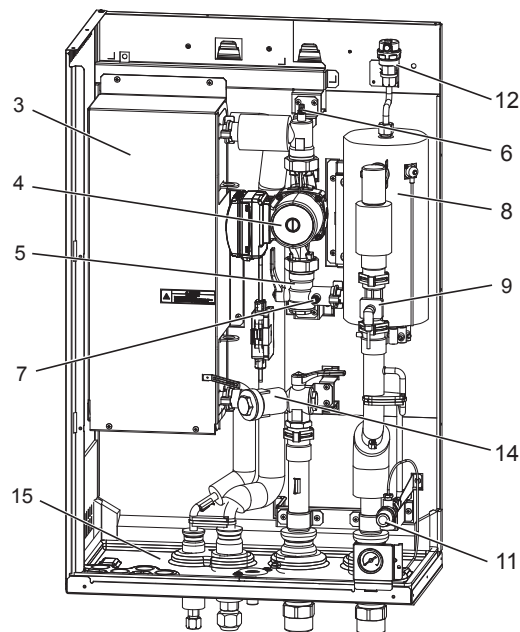
<Figure 3.2>

<E*S*-*M**D> (Split model system)



<Figure 3.3>

<E*SE-*M*ED>



<Figure 3.4>

No.	Part name	EHPX-*M*(E)D	EHS*-MED	EHS*-*M*D	EHS*-YM9ED	ERS*-*M*(E)D	ERS*-MED
1	Control and electrical box	✓	✓	✓	✓	✓	✓
2	Main remote controller	✓	✓	✓	✓	✓	✓
3	Plate heat exchanger (Refrigerant - Water)	-	✓	✓	✓	✓	✓
4	Water circulation pump 1	✓	✓	✓	✓	✓	✓
5	Pump valve	✓	✓	✓	✓	✓	✓
6	Air vent (manual)	-	✓	✓	✓	✓	✓
7	Drain cock (Primary circuit)	✓	✓	✓	✓	✓	✓
8	Booster heater 1,2	✓	-	✓	✓	✓	-
9	Flow sensor	✓	✓	✓	✓	✓	✓
10	Manometer	✓	✓	✓	✓	✓	✓
11	Pressure relief valve (3bar)	-	✓	✓	✓	✓	✓
12	Automatic air vent	✓	✓	✓	✓	✓	✓
13	Expansion vessel	✓*1	-	✓	-	✓*2	-
14	Strainer valve	✓	✓	✓	✓	✓	✓
15	Drain pan	-	-	-	-	✓	✓
16	Pressure relief valve (5bar)	✓*1	-	-	-	✓*2	-
17	Pressure sensor	-	✓*3	✓*3	✓*3	✓*3	✓*3

<Table 3.3>

Note:

For installation of all E***M*ED models, make sure to install a suitably sized primary-side expansion vessel and an additional PRV to prevent the expansion vessel from burst in the field. (See figure 3.5 ~ 3.6 and 4.3.10 for further guidance)

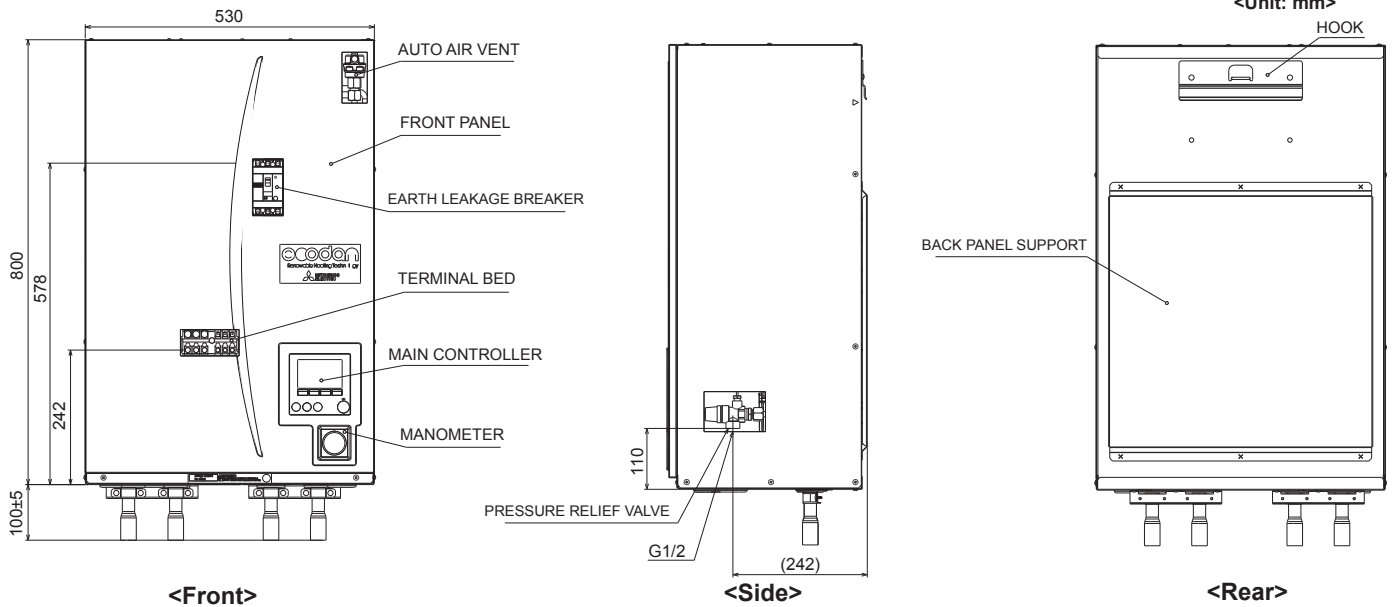
*1 EHPX-YM9ED and EHPX-MED are not included.

*2 ERSE-YM9ED is not included.

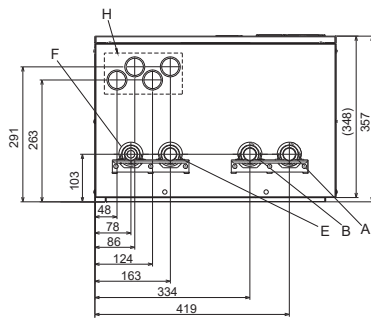
*3 Only 2HP (E*SD) model.

3 Technical Information

■ Technical Drawings



<EHPX> (Packaged model system)



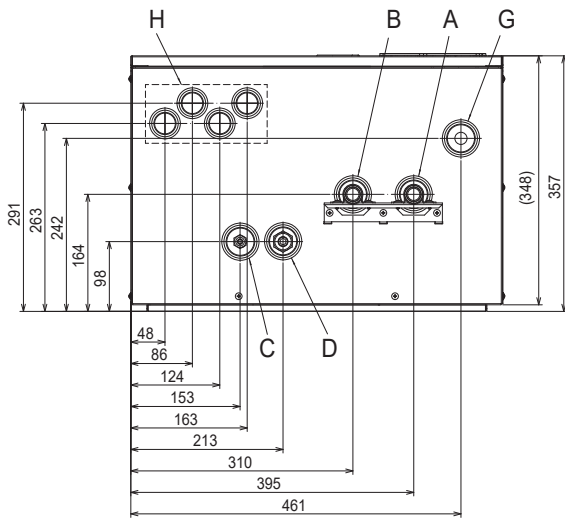
<View from below>

Letter	Pipe description	Connection size/type	
A	Space heating/Indirect DHW tank (primary) RETURN connection	28 mm/Compression (EH**-* G1 nut (ERS*-*))	
B	Space heating/Indirect DHW tank (primary) FLOW connection	28 mm/Compression (EH**-* G1 nut (ERS*-*))	
C	Refrigerant (Liquid)	6.35 mm/Flare (E*SD-* 9.52 mm/Flare (E*SC-*))	⚠ Warning • Refrigerant pipes connection shall be accessible for maintenance purposes. • In case of reconnecting the refrigerant pipes after detaching, make the flared part of pipe re-fabricated.
D	Refrigerant (Gas)	12.7 mm/Flare (E*SD-* 15.88 mm/Flare (E*SC-*))	
E	Flow connection FROM heat pump	28 mm/Compression (EHPX-*))	
F	Return connection TO heat pump	28 mm/Compression (EHPX-*))	
G	Discharge pipe (by installer) from pressure relief valve	G1/2" female (valve port within hydrobox casing)	
H	Electrical cable inlets ① ② ③ ④	For inlets ① and ②, run high-voltage wires including power cable, indoor-outdoor cable, and external output wires. For inlets ③ and ④, run low-voltage wires including external input wires and thermistor wires. For a wireless receiver (option) cable, use inlet ④.	
I	Drain socket	O.D. ø20	

<Table 3.4>

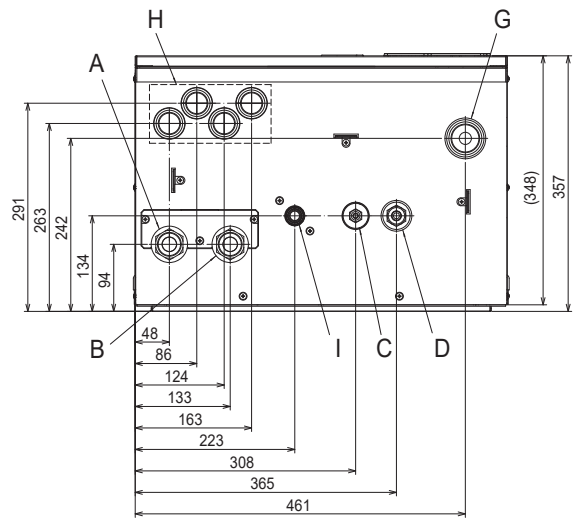
3 Technical Information

<EHS*> (Split model system)



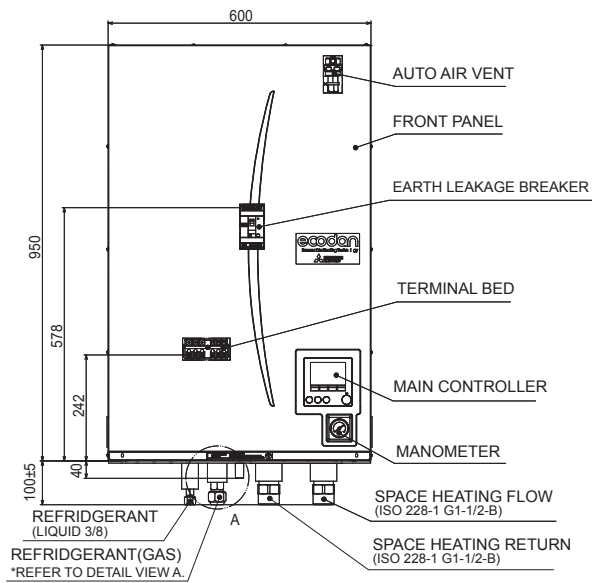
<View from below>

<ERS*> (Split model system for heating and cooling)

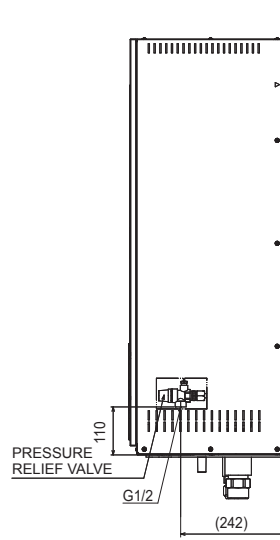


<View from below>

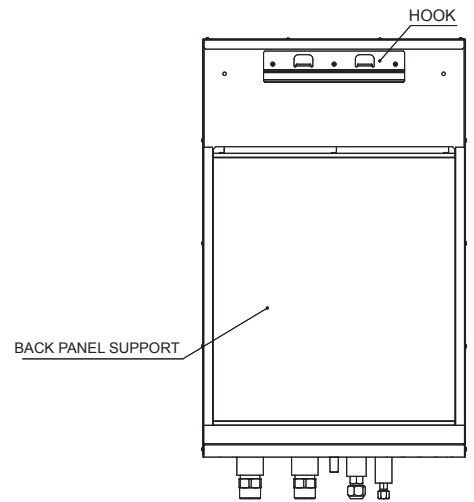
<E*SE> (Heating/Heating and cooling system)



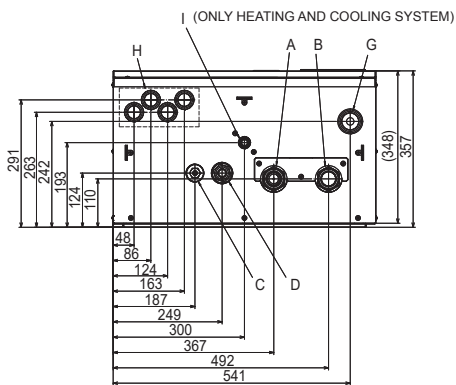
<Front>



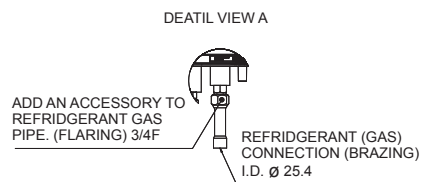
<Side>



<Rear>

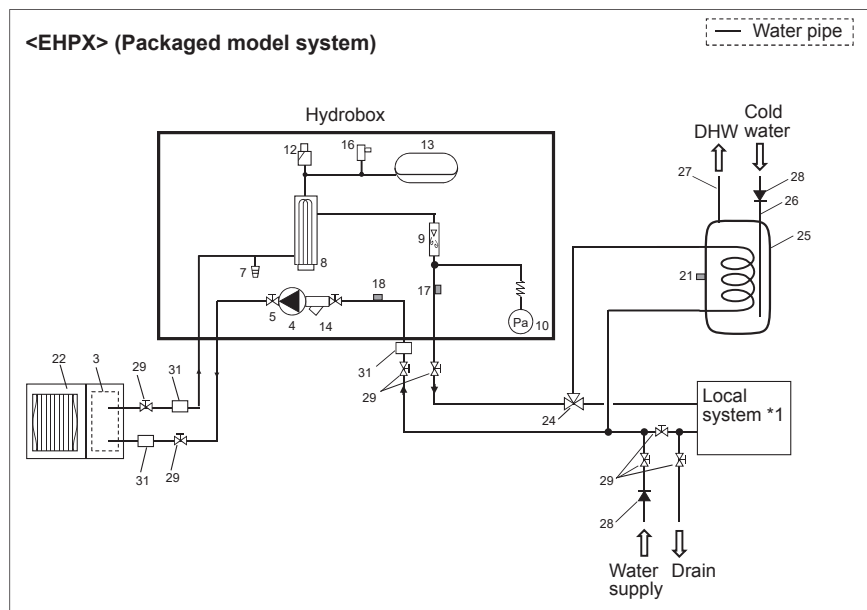


<View from below>



3 Technical Information

Water circuit diagram



<Figure 3.5>

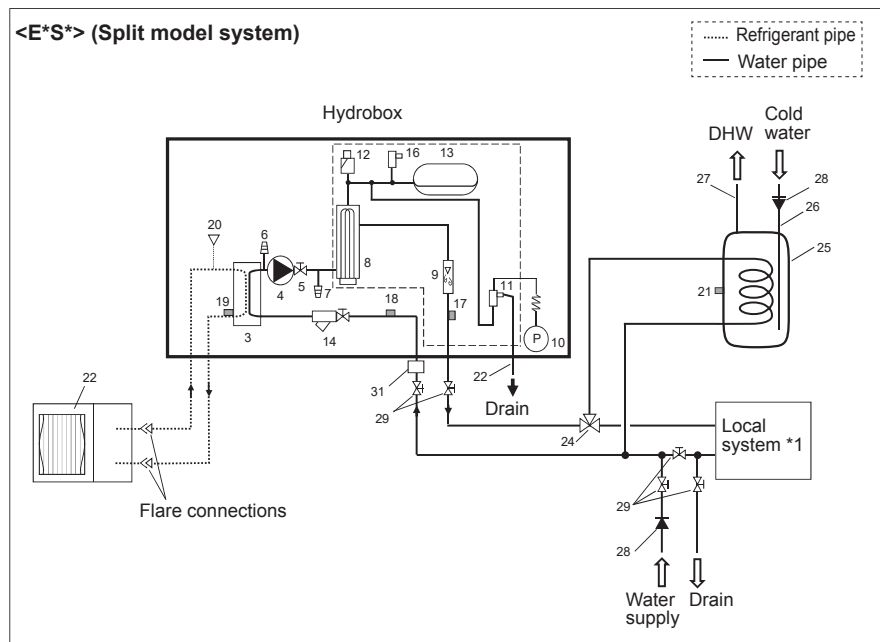
Notes

- Be sure to follow your local regulations to perform system configuration of the DHW connections.
- DHW connections are not included in the hydrobox package. All required parts are to be sourced locally.
- To enable draining of the hydrobox an isolating valve should be positioned on both the inlet and outlet pipework.
- Be sure to install a strainer on the inlet pipe work to the hydrobox.
- Suitable drain pipework should be attached to all relief valves in accordance with your country's regulations.
- A backflow prevention device must be installed on water supply pipework (IEC 61770).
- When using components made from different metals or connecting pipes made of different metals insulate the joints to prevent a corrosive reaction taking place which will damage the pipework.

No.	Part name	EHPX- *M*(E) D	EHS- MED	EHS- *M*D	EHS- YM 9ED	ERS- *M*(E) D	ERS- MED
1	Control and electrical box	✓	✓	✓	✓	✓	✓
2	Main remote controller	✓	✓	✓	✓	✓	✓
3	Plate heat exchanger (Refrigerant - Water)	-	✓	✓	✓	✓	✓
4	Water circulation pump 1	✓	✓	✓	✓	✓	✓
5	Pump valve	✓	✓	✓	✓	✓	✓
6	Air vent (manual)	-	✓	✓	✓	✓	✓
7	Drain cock (Primary circuit)	✓	✓	✓	✓	✓	✓
8	Booster heater 1, 2	✓	-	✓	✓	✓	-
9	Flow sensor	✓	✓	✓	✓	✓	✓
10	Manometer	✓	✓	✓	✓	✓	✓
11	Pressure relief valve (3 bar)	-	✓	✓	✓	✓	✓
12	Automatic air vent	✓	✓	✓	✓	✓	✓
13	Expansion vessel	✓*2	-	✓	-	✓*3	-
14	Strainer valve	✓	✓	✓	✓	✓	✓
15	Drain pan	-	-	-	-	✓	✓
16	Pressure relief valve (5 bar)	✓*2	-	✓	-	✓*3	-
17	THW1	✓	✓	✓	✓	✓	✓
18	THW2	✓	✓	✓	✓	✓	✓
19	TH2	-	✓	✓	✓	✓	✓
20	Pressure sensor	-	✓*4	✓*4	✓*4	✓*4	✓*4
21	THW5B (Optional part PAC-TH011TK2-E or PAC-TH011TKL2-E)	-	-	-	-	-	-
22	Outdoor unit	-	-	-	-	-	-
23	Drain pipe (Local supply)	-	-	-	-	-	-
24	3-way valve (Local supply)	-	-	-	-	-	-
25	DHW indirect unvented tank (Local supply)	-	-	-	-	-	-
26	Cold water inlet pipe (Local supply)	-	-	-	-	-	-
27	DHW outlet pipe (Local supply)	-	-	-	-	-	-
28	Back flow prevention device (Local supply)	-	-	-	-	-	-
29	Isolating valve (Local supply)	-	-	-	-	-	-
30	Magnetic filter (Local supply) (Recommended)	-	-	-	-	-	-
31	Strainer (Local supply)	-	-	-	-	-	-

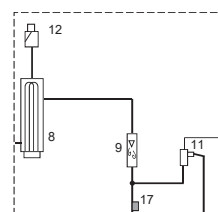
<Table 3.5>

- *1 Refer to the following section [Local system].
- *2 EHPX-YM9ED and EHPX-MED are not included.
- *3 ERSE-YM9ED is not included.
- *4 Only 2HP(E*SD) model.



<Figure 3.6>

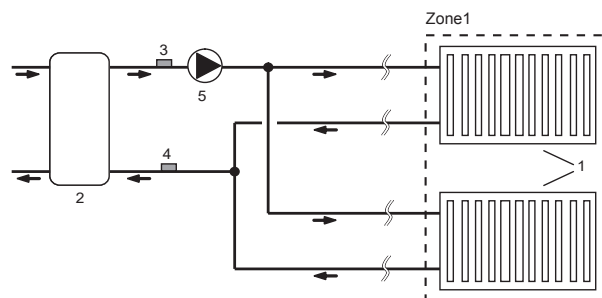
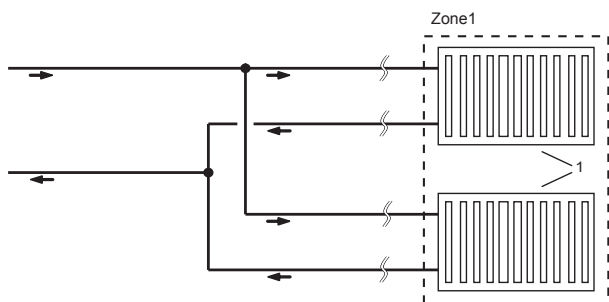
<E*SE only>



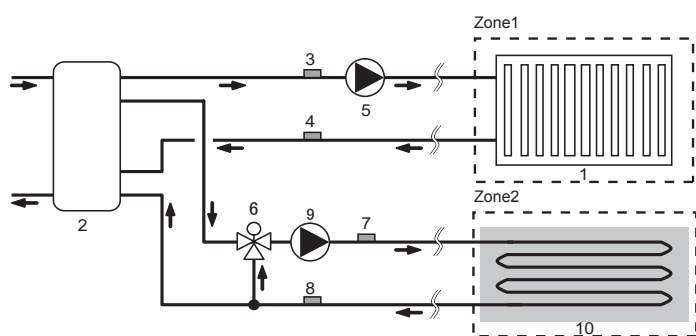
3 Technical Information

Local system

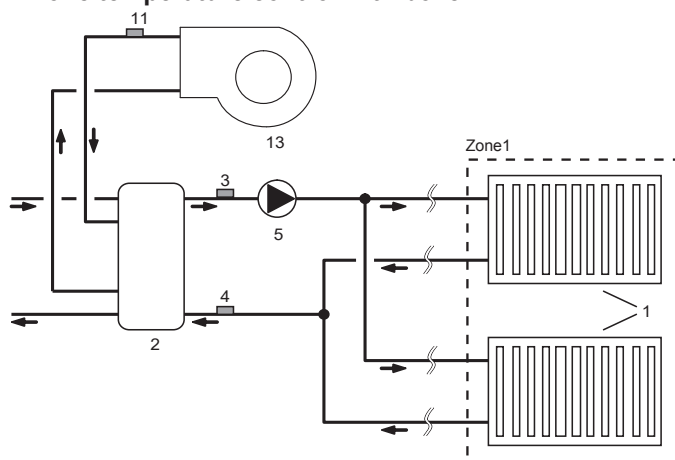
1-zone temperature control



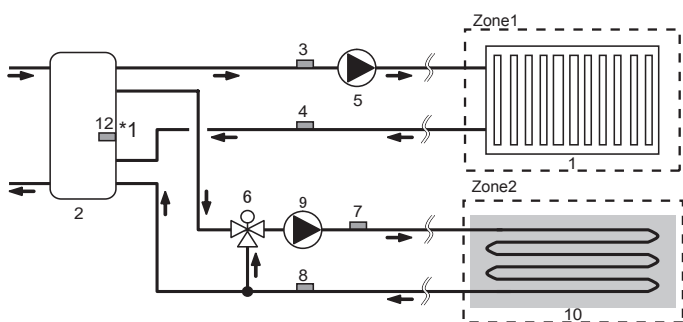
2-zone temperature control



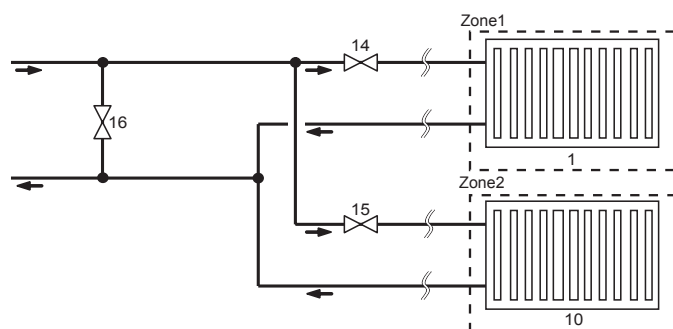
1-zone temperature control with boiler



2-zone temperature control & Buffer tank control



1-zone temperature control (2-zone valve ON/OFF control)



1. Zone1 heat emitters (e.g. radiator, fan coil unit) (local supply)
2. Mixing tank (local supply)
3. Zone1 flow water temp. thermistor (THW6)
4. Zone1 return water temp. thermistor (THW7) } Optional part : PAC-TH011-E
5. Zone1 water circulation pump (local supply)
6. Motorized mixing valve (local supply)
7. Zone2 flow water temp. thermistor (THW8)
8. Zone2 return water temp. thermistor (THW9) } Optional part : PAC-TH011-E
9. Zone2 water circulation pump (local supply)

10. Zone2 heat emitters (e.g. underfloor heating) (local supply)
11. Boiler flow water temp. thermistor (THWB1) } Optional part : PAC-TH012HT(L)-E
12. Mixing tank thermistor (THW10) *1
13. Boiler (local supply)
14. Zone1 2-way valve (local supply)
15. Zone2 2-way valve (local supply)
16. Bypass valve (local supply)

*1 ONLY Buffer tank control (heating/cooling) applies to "Smart grid ready".

en

4 Installation

<Preparation before the installation and service>

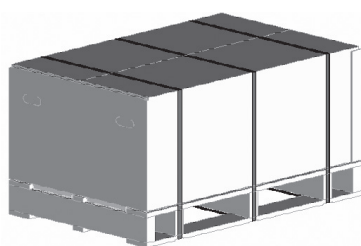
- Prepare the proper tools.
- Prepare the proper protection.
- Allow parts to cool before attempting any maintenance.
- Provide adequate ventilation.
- After stopping the operation of the system, turn off the power-supply breaker and remove the power plug.
- Discharge the capacitor before commencing work involving the electric parts.

<Precautions during service>

- Do not perform work involving electric parts with wet hands.
- Do not pour water or liquid into the electric parts.
- Do not touch the refrigerant.
- Do not touch the hot or cold surfaces in the refrigerant cycle.
- When the repair or the inspection of the circuit needs to be carried out without turning off the power, exercise great caution NOT to touch any LIVE parts.

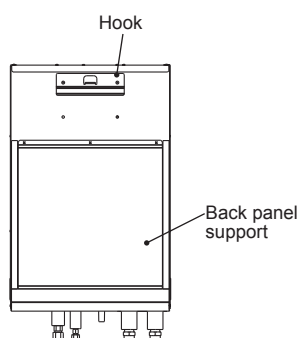
4.1 Location

■ Transportation and Handling



<Figure 4.1.1>

Hydrobox is delivered on a wooden pallet base with cardboard protection.



<Figure 4.1.2>

Care should be taken when transporting the hydrobox so that the casing is not damaged by impact. Do not remove the protective packaging until hydrobox has reached its final location. This will help protect the structure and control panel.

Notes:

- The hydrobox should ALWAYS be moved by a minimum of 2 people.
- Do NOT hold piping when moving or lifting the hydrobox.

■ Suitable Location

Before installation the hydrobox should be stored in a frost-free weatherproof location. Units must **NOT** be stacked.

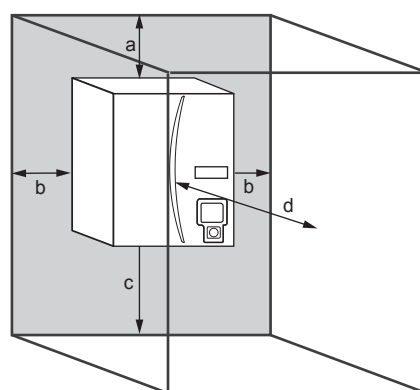
- The hydrobox should be installed indoors in a frost free weather proof location.
- Install the hydrobox where it is not exposed to water/excessive moisture.
- The hydrobox should be positioned on a level wall capable of supporting it's filled weight.
- To find out the weight, refer to "3. Technical Information".
- Care should be taken that minimum distances around and in front of the unit for service access are observed <Figure 4.1.3>.
- Secure the hydrobox to prevent it being knocked over.
- The hook and panel supports should be used to fix the hydrobox to the wall. <Fig. 4.1.2>

■ Service access diagrams

Service access	
Parameter	Dimension (mm)
a	200
b	150
c	500
d	500

<Table 4.1.1>

Sufficient space MUST be left for the provision of discharge pipework as detailed in National and Local building regulations.



<Figure 4.1.3>

Service access

The hydrobox must be located indoors and in a frost-free environment, for example in a utility room.

■ Repositioning hydrobox

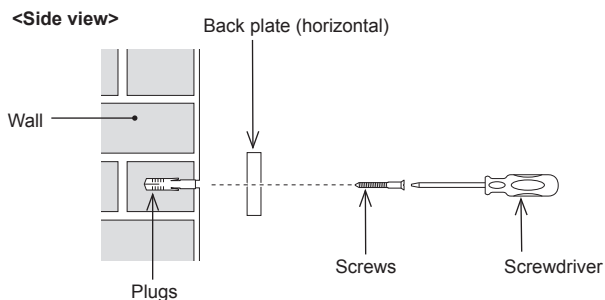
If you need to move the hydrobox to a new position FULLY DRAIN it before moving to avoid damage to the unit.

Note: Do NOT hold piping when moving or lifting the hydrobox.

4 Installation

■ Mounting procedure

1. Install the included back plate accessory.
* When installing the back plate, use locally-supplied screws and compatible fixing plugs.

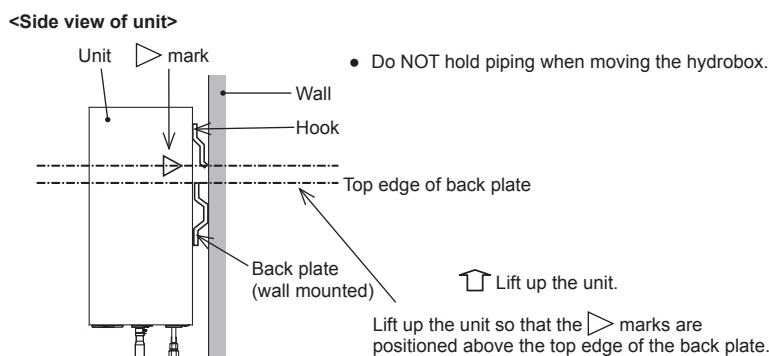


<Figure 4.1.4>

- Fit the back plate correctly with its horizontal notch profile positioned at the TOP. The back plate is provided with screw mounting holes that are round or oval. To prevent the unit from falling off the wall, choose the appropriate number of holes or hole positions and horizontally secure the back plate to the appropriate wall location.

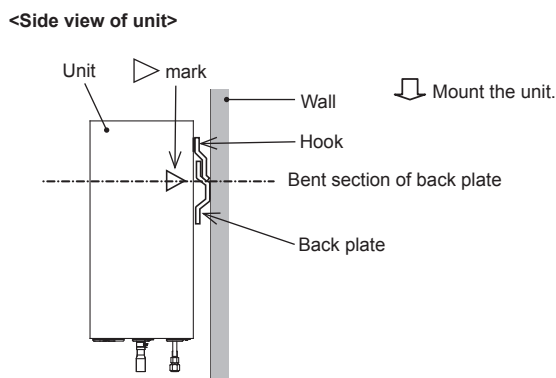
2. Insert the hook on the back of the hydrobox behind the notch of the back plate.
*The lifting up of the hydrobox is facilitated by first tilting the unit forward using the included packaging cushioning.

- i) Each of the right and left side panels has a ▷ mark indication. Lift up the unit so that the ▷ marks are positioned above the top edge of the back plate as shown below.

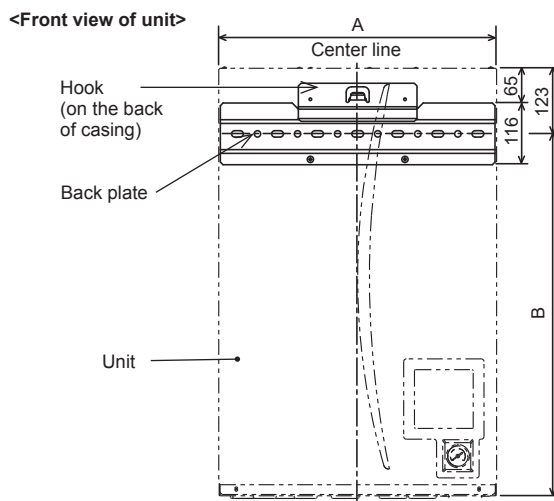


<Figure 4.1.5>

- ii) Check and ensure that the ▷ marks are positioned and properly engaged at the bent section level on the back plate as shown below.



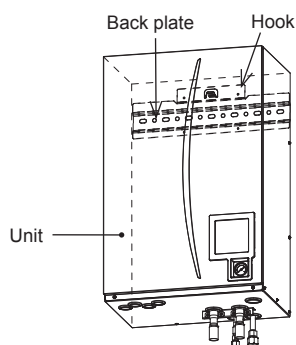
<Figure 4.1.6>



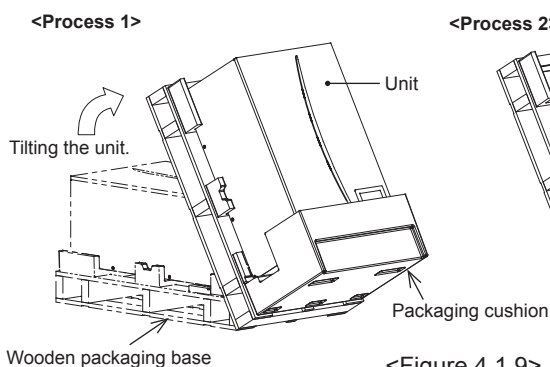
<Figure 4.1.7>

- Figure 4.1.7 shows the relative positions between the unit and the wall secured back plate. Referring to the <Figure 4.1.3> Service access, install the back plate.

Dimensions (mm)	A	B
Hydro box		
E*SC	530	677
E*SD		
EHPX		
E*SE	600	827



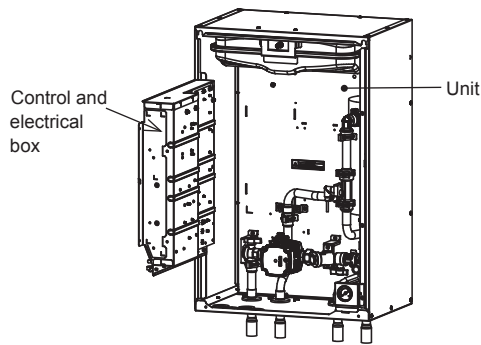
<Figure 4.1.8>



<Figure 4.1.9>

4 Installation

3. Referring to "How to access Internal Components and Control and Electrical Box", fix the unit to the back plate using the included 2 screws (accessory items).

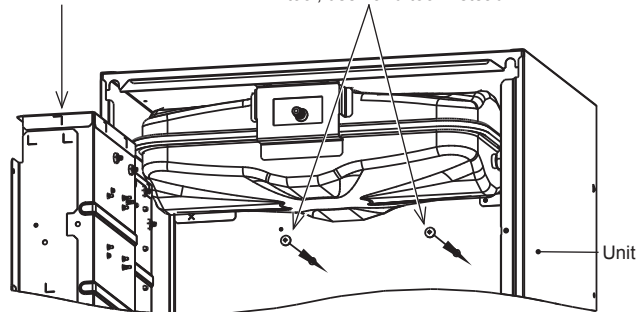


<Figure 4.1.10>

Fix the unit using the 2 screws.

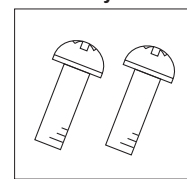
Control and electrical box

Fix the unit using the 2 screws.
* If it is difficult to access with power tool, use hand tool instead.

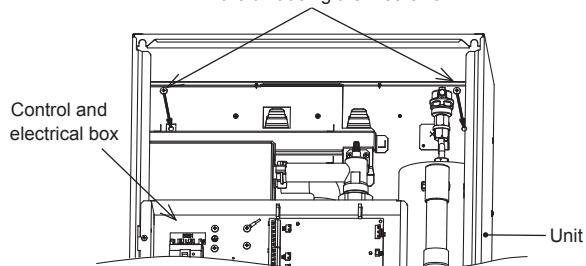


<Figure 4.1.11>

<Accessory>



Screw M5x8



<Figure 4.1.12>

CAUTION: BEFORE performing field piping, be sure to fit and tighten these two screws. Otherwise, the hook could be disengaged, and the unit could fall down.

4.2 Water Quality and System Preparation

■ General

- The water in both primary and sanitary circuit should be clean and with pH value of 6.5-8.0.
- The followings are the maximum values;
 - Calcium: 100 mg/L, Ca hardness: 250 mg/L
 - Chlorine: 100 mg/L, Copper: 0.3 mg/L
- Other constituents should be to European Directive 98/83 EC standards.
- In known hard water areas, to prevent/minimise scaling, it is beneficial to restrict the routine stored water temperature (DHW max. temp.) to 55°C.

■ Anti-Freeze

Anti-freeze solutions should use propylene glycol with a toxicity rating of Class 1 as listed in Clinical Toxicology of Commercial Products, 5th Edition.

Notes:

1. Ethylene glycol is toxic and should NOT be used in the primary water circuit in case of any cross-contamination of the potable circuit.
2. For 2-zone valve ON/OFF control, propylene glycol should be used.

■ New Installation (primary water circuit)

- Before connecting outdoor unit, thoroughly cleanse pipework of building debris, solder etc using a suitable chemical cleansing agent.
- Flush the system to remove chemical cleanser.
- For all packaged model systems, and the split model or PUMY system without booster heater, add a combined inhibitor and anti-freeze solution to prevent damage to the pipework and system components.
- For split model systems the responsible installer should decide if anti-freeze solution is necessary for each site's conditions. Corrosion inhibitor however should ALWAYS be used.

■ Existing Installation (primary water circuit)

- Before connecting outdoor unit the existing heating circuit MUST be chemically cleansed to remove existing debris from the heating circuit.
- Flush the system to remove chemical cleanser.
- For all packaged model systems add a combined inhibitor and anti-freeze solution to prevent damage to the pipework and system components.
- For split model systems the responsible installer should decide if anti-freeze solution is necessary for each site's conditions. Corrosion inhibitor however should ALWAYS be used.

When using chemical cleansers and inhibitors always follow manufacturer's instructions and ensure the product is appropriate for the materials used in the water circuit

■ Minimum amount of water required in the space heating/cooling circuit

Outdoor heat pump unit		Average / Warmer climate**		Colder climate**	
		Indoor unit containing water amount [L]	*Additional required water amount [L]	Indoor unit containing water amount [L]	*Additional required water amount [L]
Packaged model	PUZ-WM50	5	2	5	24
	PUZ-WM60		4		29
	PUZ-WM85		7		32
	PUZ-WM112		11		43
	PUZ-HWM140		15		55
Split model	SUZ-SWM40	5	1	5	12
	SUZ-SWM60		2		21
	SUZ-SWM80		4		29
	PUHZ-FRP71		6		27
	PUHZ-SW75		6		27
	PUHZ-SW100		9		38
	PUHZ-SW120		12		47
	PUHZ-SW160		18		64
	PUHZ-SW200		24		81
	PUHZ-SHW80		6		29
	PUHZ-SHW112		11		43
	PUHZ-SHW140		15		55
	PUHZ-SHW230		28		94
	PUMY-P112		22		75
PUMY-P125	22	75			
PUMY-P140	22	75			

<Table 4.2.1>

* If there is a bypass circuit, above table means minimum water amount in case of bypass.

** Please refer to 2009/125/EC: Energy-related Products Directive and Regulation (EU) No 813/2013 to confirm your climate zone.

Case 1. No division between primary and secondary circuit

- Please ensure the required water amount according to the table 4.2.1 by water pipe and radiator or underfloor heating.

Case 2. Separate primary and secondary circuit

- If the interlock operation of primary and secondary pump is not available, please ensure required additional water in only primary circuit according to the table 4.2.1.
- If the interlock operation of primary and secondary pump is available, please ensure total water amount of primary and secondary circuit according to the table 4.2.1. In case of the shortage of required water amount, please install buffer tank.

4 Installation

4.3 Water Pipe Work

Note: Prevent the field piping from straining the piping on the hydrobox by fixing it to a wall or applying other methods.

■ Hot Water Pipework

The function of the following safety components of the hydrobox should be checked on installation for any abnormalities;

- Pressure relief valve
- Expansion vessel pre-charge (gas charge pressure)

The instruction on the following pages regarding safe discharge of hot water from Safety devices should be followed carefully.

- The pipework will become very hot, so should be insulated to prevent burns.
- When connecting pipework, ensure that no foreign objects such as debris or the like enter the pipe.

■ Safety Device Connections

The hydrobox contains a pressure relief valve. (see <Figure 4.3.1>) The connection size is G1/2" female. The installer MUST responsibly connect appropriate discharge pipework from this valve in accordance with local and national regulations.

Failure to do so will result in discharge from the pressure relief valve directly into the hydrobox and cause serious damage to the product.

All pipework used should be capable of withstanding discharge of hot water. Relief valves should NOT be used for any other purpose, and their discharges should terminate in a safe and appropriate manner in accordance with local regulation requirements.

Note: Beware that the manometer and the pressure relief valve are NOT strained on its capillary side and on its inlet side respectively. If a pressure relief valve is added, it is essential that no check valve or isolation valve is fitted between the hydrobox connection and the added pressure relief valve (safety matter).

■ Hydraulic Filter Work (ONLY EHPX series)

Install a hydraulic filter or strainer (local supply) at the water intake ("Pipe E" in Table 3.4, also see associated schematic Fig. 3.5)

■ Pipework Connections

Connections to the hydrobox should be made using the 28mm compression (EHSC/D series) or the G1 nut (ERSC/D series) the G1-1/2 nut (E*SE series) as appropriate. (The hydrobox has G1 or G1-1/2 (male) thread connections.)

Do not over-tighten compression fittings as this will lead to deformation of the olive ring and potential leaks.

Note: Before brazing pipes in the field, protect pipes on the hydrobox using wet towels etc as "heat shield".

Use two wrenches to tighten piping connection (see <Figure 4.3.2>).

■ Drain Pipework (ONLY ER series)

The drain pipe should be installed to drain condensing water in Cooling mode.

- Securely install the drain pipe to prevent leakage from the connection.
- Securely insulate the drain pipe to prevent water dripping from the locally supplied drain pipe.
- Install the drain pipe at a down slope of 1/100 or more.
- Do not place the drain pipe in drain channel where sulphuric gas exists.
- After installation, check that the drain pipe drains water properly from the outlet of the pipe.

<Installation>

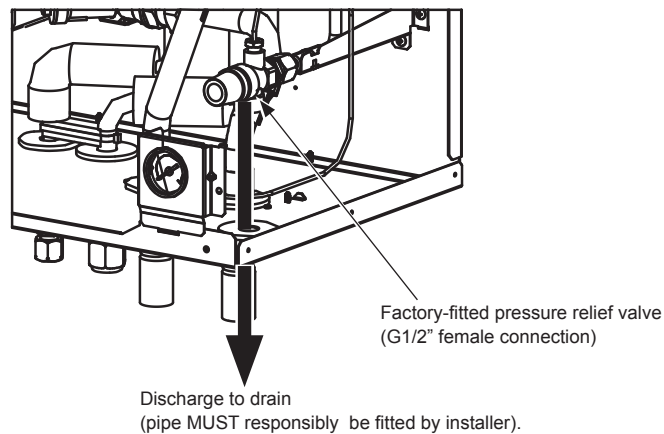
1. Apply polyvinyl chloride type adhesive over the shaded surfaces inside of the drain pipe and on the exterior of the drain socket as shown.
2. Insert the drain socket deeply into the drain pipe <Figure 4.3.3>.

Note: Securely support the locally supplied drain pipe using pipe support to avoid the drain pipe falling from the drain socket.

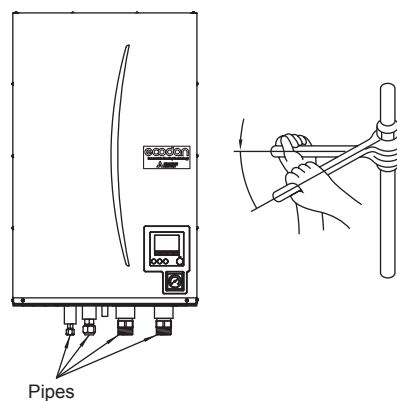
To prevent dirty water from draining directly onto the floor next to hydrobox, please connect appropriate discharge pipework from the hydrobox.

■ Insulation of Pipework

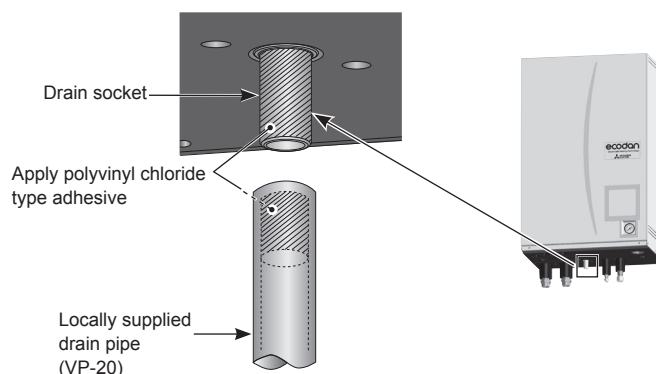
- All exposed water pipework should be insulated to prevent unnecessary heat loss and condensation. To prevent condensate entering the hydrobox, the pipework and connections at the top of the hydrobox should be carefully insulated.
- Cold and hot water pipework should not be run close together where possible, to avoid unwanted heat transfer.
- Pipework between outdoor heat pump unit and hydrobox should be insulated with suitable pipe insulation material with a thermal conductivity of ≤ 0.04 W/m.K.



<Figure 4.3.1>



<Figure 4.3.2>



<Figure 4.3.3>

4 Installation

Water Circulation Pump Characteristics

Pump speed can be selected by main remote controller setting (see <Figure 4.3.4 to 4.3.9>).

Adjust the pump speed setting so that the flow rate in the primary circuit is appropriate for the outdoor unit installed (see Table 4.3.1). It may be necessary to add an additional pump to the system depending on the length and lift of the primary circuit. For outdoor unit model not listed in the <Table 4.3.1>, refer to Water flow rate range in the specification table of outdoor unit Data Book.

<Second pump >

If a second pump is required for the installation please read the following carefully. If a second pump is used in the system it can be positioned in 2 ways.

The position of the pump influences which terminal of the FTC the signal cable should be wired to. If the additional pump(s) have current greater than 1A please use appropriate relay. Pump signal cable can either be wired to TBO.1 1-2 or CNP1 but NOT both.

Option 1 (Space heating/cooling only)

If the second pump is being used for the heating circuit only then the signal cable should be wired to TBO.1 terminals 3 and 4 (OUT2). In this position the pump can be run at a different speed to the hydrobox's in-built pump.

Option 2 (Primary circuit DHW and space heating/cooling)

If the second pump is being used in the primary circuit between the hydrobox and the outdoor unit (Package system ONLY) then the signal cable should be wired to TBO.1 terminals 1 and 2 (OUT1). In this position the pump speed **MUST** match the speed of the hydrobox's in-built pump.

Note: Refer to 5.2 Connecting inputs/outputs.

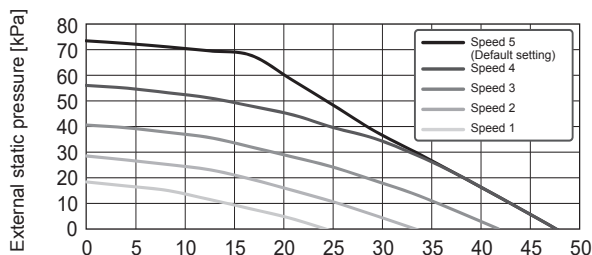
Outdoor heat pump unit		Water flow rate range [L/min]
Packaged model	PUZ-WM50	6.5 - 14.3
	PUZ-WM60	8.6 - 17.2
	PUZ-WM85	10.8 - 25.8
	PUZ-WM112	14.4 - 32.1
	PUZ-HWM140	17.9 - 36.9
Split model	SUZ-SWM40	6.5 - 11.4
	SUZ-SWM60	7.2 - 17.2
	SUZ-SWM80	7.8 - 21.5
	PUHZ-FRP71	11.5 - 22.9
	PUHZ-SW75	10.2 - 22.9
	PUHZ-SW100	14.4 - 32.1
	PUHZ-SW120	20.1 - 36.9
	PUHZ-SHW80	10.2 - 22.9
	PUHZ-SHW112	14.4 - 32.1
	PUHZ-SHW140	17.9 - 36.9
	PUMY-P112	17.9 - 35.8
PUMY-P125	17.9 - 35.8	
PUMY-P140	17.9 - 35.8	

<Table 4.3.1>

* If the water flow rate is less than the minimum flow rate setting of the flow sensor (default 5.0 L/min), the flow rate error will be activated. If the water flow rate exceeds 36.9 L/min, the flow speed will be greater than 2.0 m/s, which could erode the pipes.

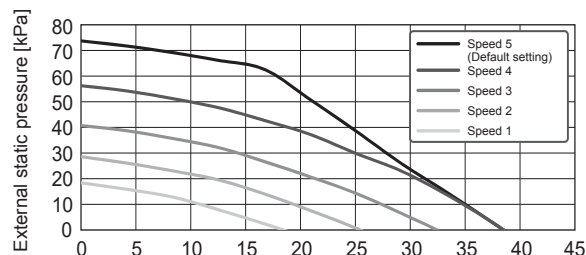
Water Circulation Pump Characteristics

EHPX series



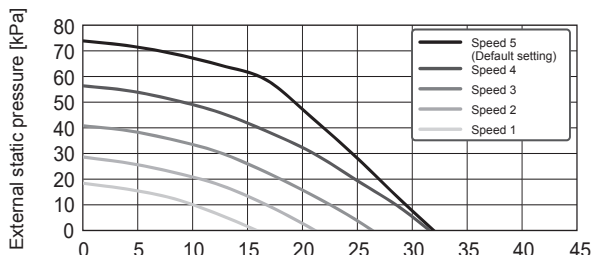
<Figure 4.3.4>

ERSC series



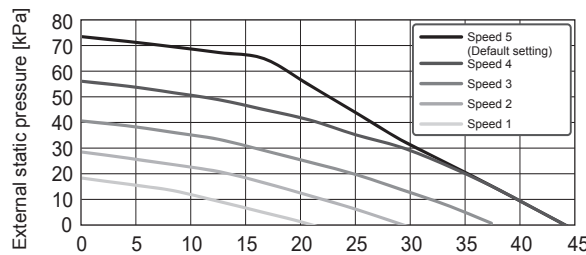
<Figure 4.3.5>

ERSD series



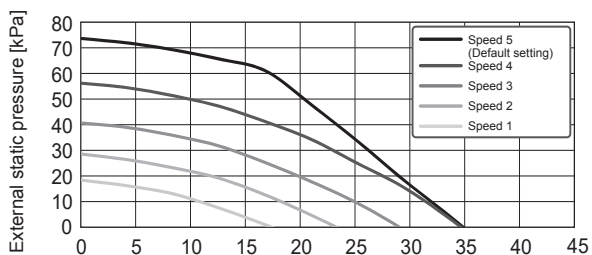
<Figure 4.3.6>

EHSC series



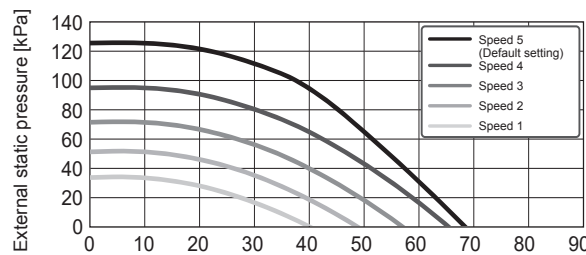
<Figure 4.3.7>

EHSD series



<Figure 4.3.8>

E*SE series



<Figure 4.3.9>

4 Installation

■ Sizing Expansion Vessels

Expansion vessel volume must fit the local system water volume.

To size an expansion vessel both for the heating and cooling circuits the following formula and graph can be used.

When the necessary expansion vessel volume exceeds the volume of an built-in expansion vessel, install an additional expansion vessel so that the sum of the volumes of the expansion vessels exceeds the necessary expansion vessel volume.

* For installation of an E***-M*ED model, provide and install a suitable primary-side expansion vessel and additional 3 bar rated pressure relief valve in the field as the model does not come fitted with a primary-side expansion vessel.

$$V = \frac{\varepsilon \times G}{1 - \frac{P_1 + 0.098}{P_2 + 0.098}}$$

Where;

V : Necessary expansion vessel volume [L]
 ε : Water expansion coefficient
 G : Total volume of water in the system [L]
 P₁ : Expansion vessel setting pressure [MPa]
 P₂ : Max. pressure during operation [MPa]

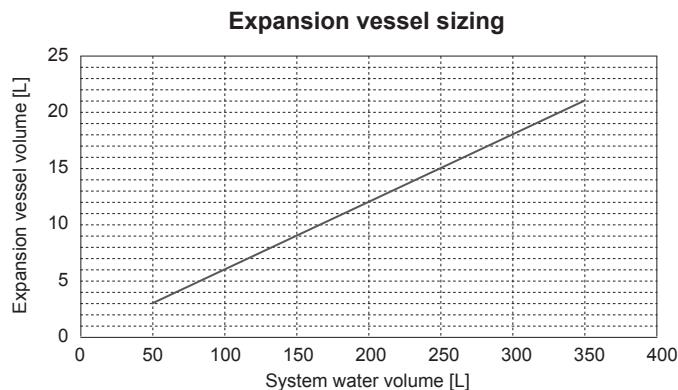
Graph to the right is for the following values

ε : at 70°C = 0.0229

P₁ : 0.1 MPa

P₂ : 0.3 MPa

*A 30% safety margin has been added.

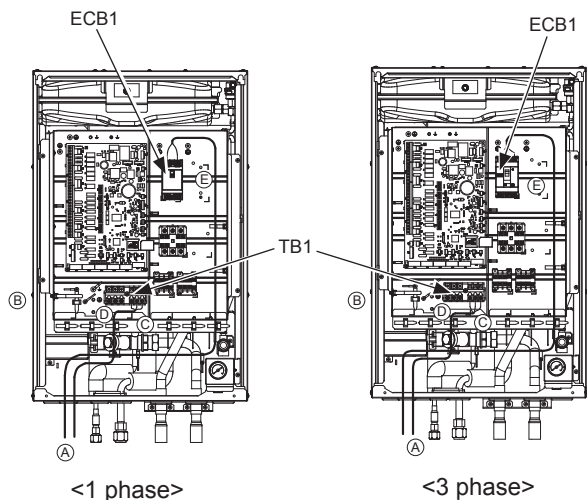


<Figure 4.3.10>

4.4 Electrical Connection

All electrical work should be carried out by a suitably qualified technician. Failure to comply with this could lead to electrocution, fire, and death. It will also invalidate product warranty. All wiring should be according to national wiring regulations.

Breaker abbreviation	Meaning
ECB1	Earth leakage circuit breaker for booster heater
TB1	Terminal block 1



<Figure 4.4.1>

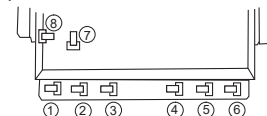
The hydrobox can be powered in two ways.

1. Power cable is run from the outdoor unit to the hydrobox.
2. Hydrobox has independent power source.

Connections should be made to the terminals indicated in the figures to the left below depending on the phase.

Booster heater and immersion heater should be connected independently from one another to dedicated power supplies.

- Locally supplied wiring should be inserted through the inlets situated on the base of the hydrobox. (Refer to <Table 3.4>.)
- Wiring should be fed down the left hand side of the control and electrical box and clamped in place using clips provided.
- The wires should be fixed with the cable straps as below.
 - Output wires
 - Indoor-Outdoor wire
 - Power line (B.H.)
 - Signal input wires/ Wireless receiver (option) wire (PAR-WR51R-E)
- Connect the outdoor unit – hydrobox connecting cable to TB1.
- Connect the power cable for the booster heater to ECB1.



• Make sure that ECB1 is ON.

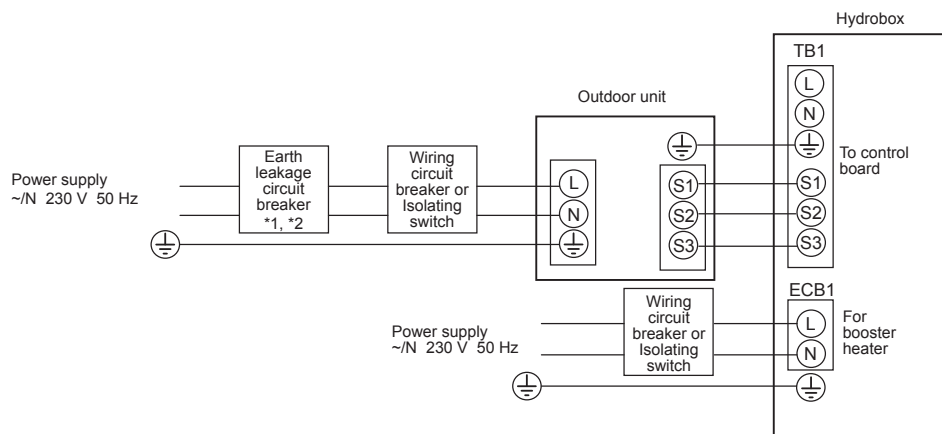
4 Installation

Hydrobox powered via outdoor unit

(If you want to use independent source, go to the Mitsubishi website.)

<1 phase>

Affix label A that is included with the manuals near each wiring diagram for hydrobox and outdoor units.

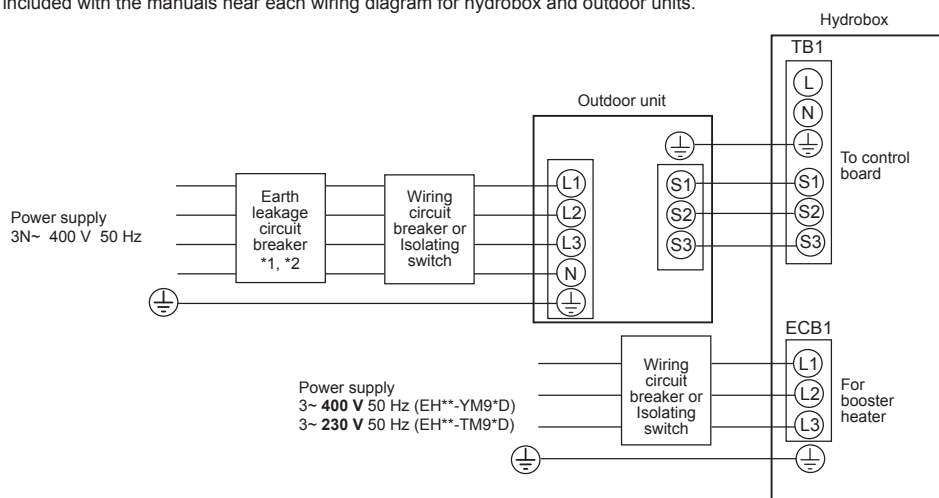


<Figure 4.4.2>
Electrical connections 1 phase

Description	Power supply	Capacity	Breaker	Wiring
Booster heater	~N 230 V 50 Hz	2 kW	16 A *2	2.5 mm ²
		6 kW	32 A *2	6.0 mm ²

<3 phase>

Affix label A that is included with the manuals near each wiring diagram for hydrobox and outdoor units.



<Figure 4.4.3>
Electrical connections 3 phase

Description	Power supply	Capacity	Breaker	Wiring
Booster heater	3~ 400 V 50 Hz	9 kW	16 A *2	2.5 mm ²
	3~ 230 V 50 Hz	9 kW	32 A *2	6.0 mm ²

Wiring No. × size (mm ²)	Hydrobox - Outdoor unit	*3	3 × 1.5 (polar)
	Hydrobox - Outdoor unit earth	*3	1 × Min. 1.5
Circuit rating	Hydrobox - Outdoor unit S1 - S2	*4	230 V AC
	Hydrobox - Outdoor unit S2 - S3	*4	24 V DC

*1. If the installed earth leakage circuit breaker does not have an over-current protection function, install a breaker with that function along the same power line.

*2. A breaker with at least 3.0 mm contact separation in each pole shall be provided. Use earth leakage breaker (NV).
The breaker shall be provided to ensure disconnection of all active phase conductors of the supply.

*3. Max. 45 m

If 2.5 mm² used, Max. 50 m

If 2.5 mm² used and S3 separated, Max. 80 m

*4. The values given in the table above are not always measured against the ground value.

Notes: 1. Wiring size must comply with the applicable local and national codes.

2. Indoor unit/outdoor unit connecting cords shall not be lighter than polychloroprene sheathed flexible cord. (Design 60245 IEC 57)
Indoor unit power supply cords shall not be lighter than polychloroprene sheathed flexible cord. (Design 60227 IEC 53)

3. Install an earth longer than other cables.

4. Please keep enough output capacity of power supply for each heater. Insufficient power supply capacity might cause chattering.

5 System Set Up

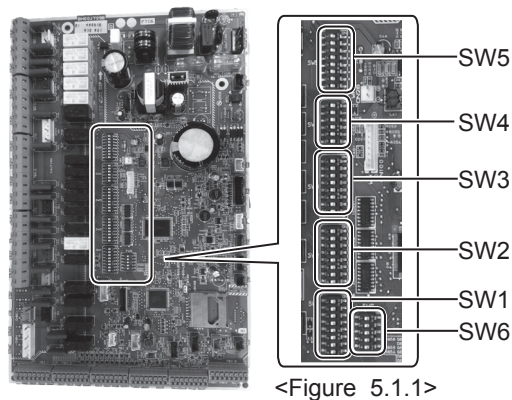
5.1 DIP Switch Functions

The DIP switch number is printed on the circuit board next to the relevant switches. The word ON is printed on the circuit board and on the DIP switch block itself. To move the switch you will need to use a pin or the corner of a thin metal ruler or similar.

DIP switch settings are listed below in Table 5.1.1.

Only an authorised installer can change DIP switch setting under one's own responsibility according to the installation condition.

Make sure to turn off both indoor unit and outdoor unit power supplies before changing the switch settings.



<Figure 5.1.1>

DIP switch	Function	OFF	ON	Default settings: Indoor unit model			
SW1	SW1-1 Boiler	WITHOUT Boiler	WITH Boiler	OFF			
	SW1-2 Heat pump maximum outlet water temperature	55°C	60°C	ON *1			
	SW1-3 DHW tank	WITHOUT DHW tank	WITH DHW tank	OFF			
	SW1-4 Immersion heater	WITHOUT Immersion heater	WITH Immersion heater	OFF			
	SW1-5 Booster heater	WITHOUT Booster heater	WITH Booster heater	OFF: E***-MED ON : E***-M2/6/9*D			
	SW1-6 Booster heater function	For heating only	For heating and DHW	OFF: E***-MED ON : E***-M2/6/9*D			
	SW1-7 Outdoor unit type	Split type	Packaged type	OFF: Except EHPX-*M**D ON : EHPX-*M**D			
	SW1-8 Wireless remote controller	WITHOUT Wireless remote controller	WITH Wireless remote controller	OFF			
SW2	SW2-1 Room thermostat1 input (IN1) logic change	Zone1 operation stop at thermostat short	Zone1 operation stop at thermostat open	OFF			
	SW2-2 Flow switch1 input (IN2) logic change	Failure detection at short	Failure detection at open	OFF			
	SW2-3 Booster heater capacity restriction	Inactive	Active	OFF: Except E***-VM2D ON : E***-VM2D			
	SW2-4 Cooling mode function	Inactive	Active	OFF: Except ERS-*M**D ON : ERS-*M**D			
	SW2-5 Automatic switch to backup heat source operation (When outdoor unit stops by error)	Inactive	Active *2	OFF			
	SW2-6 Mixing tank	WITHOUT Mixing tank	WITH Mixing tank	OFF			
	SW2-7 2-zone temperature control	Inactive	Active *6	OFF			
	SW2-8 Flow sensor	WITHOUT Flow sensor	WITH Flow sensor	ON			
SW3	SW3-1 Room thermostat 2 (IN6) input logic change	Zone2 operation stop at thermostat short	Zone2 operation stop at thermostat open	OFF			
	SW3-2 Flow switch 2 and 3 input logic change	Failure detection at short	Failure detection at open	OFF			
	SW3-3	—	—	OFF			
	SW3-4 Electric energy meter	WITHOUT Electric energy meter	WITH Electric energy meter	OFF			
	SW3-5 Heating mode function *3	Inactive	Active	ON			
	SW3-6 2-zone valve ON/OFF control	Inactive	Active	OFF			
	SW3-7 Heat exchanger for DHW	Coil in tank	External plate HEX	OFF			
	SW3-8 Heat meter	WITHOUT Heat meter	WITH Heat meter	OFF			
SW4	SW4-1 Multiple outdoor units control	Inactive	Active	OFF			
	SW4-2 Position of multiple outdoor units control *7	Slave	Master	OFF			
	SW4-3	—	—	OFF			
	SW4-4 Indoor unit only operation (during installation work) *4	Inactive	Active	OFF			
	SW4-5 Emergency mode (Heater only operation)	Normal	Emergency mode (Heater only operation)	OFF *5			
	SW4-6 Emergency mode (Boiler operation)	Normal	Emergency mode (Boiler operation)	OFF *5			
SW5	SW5-1	—	—	OFF			
	SW5-2 Advanced auto adaptation	Inactive	Active	ON			
	SW5-3	Capacity code					
	SW5-4		SW5-3	SW5-4	SW5-5	SW5-6	SW5-7
	SW5-5	E*SC-*M**D	ON	ON	ON	ON	OFF
	SW5-6	E*SD-*M**D	ON	OFF	OFF	ON	OFF
	SW5-7	E*SE-*M*ED	OFF	ON	ON	OFF	ON
	SW5-8	EHPX-*M**D	OFF	OFF	OFF	OFF	OFF
SW6	SW6-1	—	—	OFF			
	SW6-2	—	—	OFF			
	SW6-3 Pressure sensor	Inactive	Active	OFF: Except E*SD-*M**D ON: E*SD-*M**D			
	SW6-4 Analog output	Inactive	Active	OFF			
	SW6-5	—	—	OFF			

<Table 5.1.1>

- Notes:
- *1. When the hydrobox is connected with a PUMY-P outdoor unit of which maximum outlet water temperature is 55°C, DIP SW1-2 must be changed to OFF.
 - *2. OUT11 will be available. For safety reasons, this function is not available for certain errors. (In that case, system operation must be stopped and only the water circulation pump keeps running.)
 - *3 This switch functions only when the hydrobox is connected with a PUHZ-FRP outdoor unit. When another type of outdoor unit is connected, the heating mode function is active regardless of the fact that this switch is ON or OFF.
 - *4. Space heating and DHW can be operated only in indoor unit, like an electric heater. (Refer to "5.4 Indoor unit only operation".)
 - *5. If emergency mode is no longer required, return the switch to OFF position.
 - *6. Active only when SW3-6 is set to OFF.
 - *7. Active only when SW4-1 is set to ON.

5 System Set Up

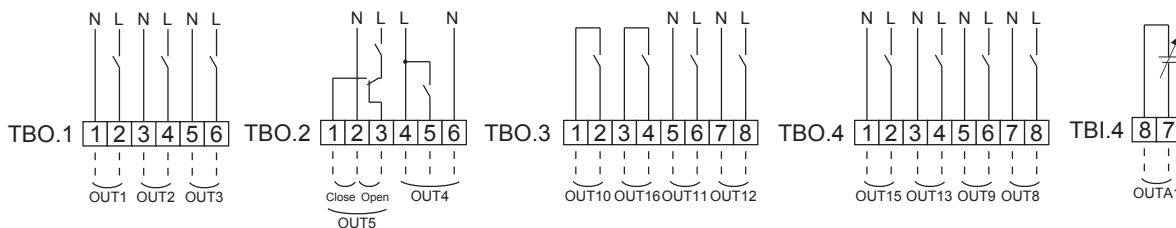
Outputs

Name	Terminal block	Connector	Item	OFF	ON	Signal/Max. current	Max. total current
OUT1	TBO.1 1-2	CNP1	Water circulation pump 1 output (Space heating/cooling & DHW)	OFF	ON	230 V AC 1.0 A Max. (Inrush current 40 A Max.)	4.0 A (a)
OUT2	TBO.1 3-4	—	Water circulation pump 2 output (Space heating/cooling for Zone1)	OFF	ON	230 V AC 1.0 A Max. (Inrush current 40 A Max.)	
OUT3	TBO.1 5-6	—	Water circulation pump 3 output (Space heating/cooling for Zone2) *1 2-way valve 2b output *2	OFF	ON	230 V AC 1.0 A Max. (Inrush current 40 A Max.)	
OUT14	—	CNP4	Water circulation pump 4 output (DHW)	OFF	ON	230 V AC 1.0 A Max. (Inrush current 40 A Max.)	
OUT4	TBO.2 4-6	CNV1	3-way valve (2-way valve 1) output	Heating	DHW	230 V AC 0.1 A Max.	3.0 A (b)
	—	CN851	3-way valve output				
OUT5	TBO.2 1-2	—	Mixing valve output *1	Stop	Close	230 V AC 0.1 A Max.	
	TBO.2 2-3			Open			
OUT6	—	CNBH 1-3	Booster heater 1 output	OFF	ON	230 V AC 0.5 A Max. (Relay)	
OUT7	—	CNBH 5-7	Booster heater 2 output	OFF	ON	230 V AC 0.5 A Max. (Relay)	
OUT8	TBO.4 7-8	—	Cooling signal output	OFF	ON	230 V AC 0.5 A Max.	
OUT9	TBO.4 5-6	CNIH	Immersion heater output	OFF	ON	230 V AC 0.5 A Max. (Relay)	
OUT11	TBO.3 5-6	—	Error output	Normal	Error	230 V AC 0.5 A Max.	
OUT12	TBO.3 7-8	—	Defrost output	Normal	Defrost	230 V AC 0.5 A Max.	
OUT13	TBO.4 3-4	—	2-way valve 2a output *2	OFF	ON	230 V AC 0.1 A Max.	
OUT15	TBO.4 1-2	—	Comp ON signal	OFF	ON	230 V AC 0.5 A Max.	
OUT10	TBO.3 1-2	—	Boiler output	OFF	ON	non-voltage contact · 220-240 V AC (30 V DC) · 0.5 A or less · 10 mA 5 V DC or more	—
OUT16	TBO.3 3-4	—	Heating/Cooling thermo ON signal	OFF	ON		
OUTA1	TBI.4 7-8	—	Analog output	0 V-10 V		0-10 V DC 5 mA max.	—

Do not connect to the terminals that are indicated as “—” in the “Terminal block” field.

*1 For 2-zone temperature control.

*2 For 2-zone valve ON/OFF control.



Wiring specification and local supply parts

Item	Name	Model and specifications
External output function	Outputs wire	Use sheathed vinyl coated cord or cable. Max. 30 m Wire type: CV, CVS or equivalent Wire size: Stranded wire 0.25 mm ² to 1.5 mm ² Solid wire: 0.25 mm ² to 1.5 mm ²

Note:

- When the hydrobox is powered via outdoor unit, the maximum grand total current of (a)+(b) is 3.0 A.
- Do not connect multiple water circulation pumps directly to each output (OUT1, OUT2, and OUT3). In such a case, connect them via (a) relay(s).
- Do not connect water circulation pumps to both TBO.1 1-2 and CNP1 at the same time.
- Connect an appropriate surge absorber to OUT10 (TBO.3 1-2) depending on the load at site.
- Stranded wire should be processed with insulation-covered bar terminal (DIN46228-4 standard compatible type).
- Use the same thing as the Signal input wire for OUTA1 wiring.

5.3 Wiring for 2-zone temperature control

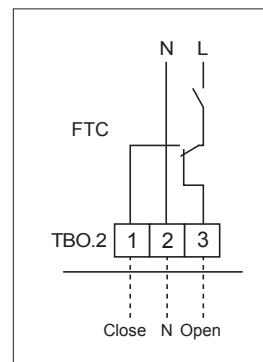
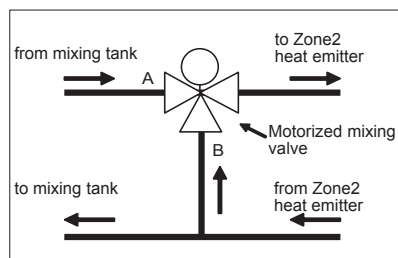
Connect the pipe work and locally supplied parts according to the relevant circuit diagram shown "Local system" in Section 3, of this manual.

<Mixing valve>

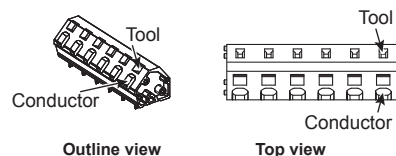
Connect the signal line to open Port A (hot water inlet port) to TBO. 2-3 (Open), the signal line to open Port B (cold water inlet port) to TBO. 2-1 (Close), and the neutral terminal wire to TBO. 2-2 (N).

<Thermistor>

- Do not install the thermistors on the mixing tank.
- Install the Zone2 flow temp. thermistor (THW8) near the mixing valve.
- The maximum length of the thermistor wiring is 30 m.
- The length of the optional thermistors are 5 m. If you need to splice and extend the wirings, following points must be carried out.
 - Connect the wirings by soldering.
 - Insulate each connecting point against dust and water.



How to use TBO.1 to 4



Connect them using either way as shown above.
<Figure 5.2.2>

5 System Set Up

5.4 Indoor unit only operation (during installation work)

In the case when DHW or heating operation is required prior to connection of the outdoor unit; i.e. during installation work, an electric heater in indoor unit (*1) can be used.
*1 Model with electric heater only.

1. To start operation

- Check if the indoor unit power supply is OFF, and turn DIP switch 4-4 and 4-5 ON.
- Turn ON the indoor unit power supply.

2. To end operation *2

- Turn OFF the indoor unit power supply.
- Turn DIP switch 4-4 and 4-5 OFF.

*2 When the indoor unit only operation is ended, ensure to check over the settings after outdoor unit is connected.

Note:

Prolonged running of the this operation may affect the life of the electric heater.

5.5 Using SD memory card

The hydrobox is equipped with an SD memory card interface in FTC.

Using an SD memory card can simplify main remote controller settings and can store operating logs. *1

*1 To edit main remote controller settings or to check operating data, an Ecodan service tool (for use with PC) is required.

<Handling precautions>

- (1) Use an SD memory card that complies with the SD standards. Check that the SD memory card has a logo on it of those shown to the right.
- (2) SD memory cards to the SD standards include SD, SDHC, miniSD, micro SD, and microSDHC memory cards. The capacities are available up to 32 GB. Choose that with a maximum allowable temperature of 55°C.
- (3) When the SD memory card is a miniSD, miniSDHC, microSD, or micro SDHC memory card, use an SD memory card converter adapter.
- (4) Before writing to the SD memory card, release the write-protect switch.



- (5) Before inserting or ejecting an SD memory card, make sure to power off the system. If an SD memory card is inserted or ejected with the system powered on, the stored data could be corrupted or the SD memory card be damaged. *An SD memory card is live for a short duration after the system is powered off. Before insertion or ejection wait until the LED lamps on the FTC control board are all off.
- (6) The read and write operations have been verified using the following SD memory cards, however, these operations are not always guaranteed as the specifications of these SD memory cards could change.







Manufacturer	Model	Tested in
Verbatim	#44015	Mar. 2012
SanDisk	SDSDB-002G-B35	Oct. 2011
Panasonic	RP-SDP04GE1K	Oct. 2011
Arvato	2GB PS8032 TSB 24nm MLC	Jun. 2012
Arvato	2GB PS8035 TSB A19nm MLC	Jul. 2014
SanDisk	SDSDUN-008G-G46	Oct. 2016
Verbatim	#43961	Oct. 2016
Verbatim	#44018	Oct. 2016
VANTASTEK	VSDHC08	Sep. 2017

Before using a new SD memory card (including the card that comes with the unit), always check that the SD memory card can be safely read and written to by the FTC controller.

<How to check read and write operations>

- a) Check for correct wiring of power supply to the system. For more details, refer to section 4.4.
(Do not power on the system at this point.)
- b) Insert an SD memory card.
- c) Power on the system.
- d) The LED4 lamp lights if the read and write operations are successfully completed. If the LED4 lamp continues blinking or does not light, the SD memory card cannot be read or written to by the FTC controller.

- (7) Make sure to follow the instruction and the requirement of the SD memory card's manufacturer.
- (8) Format the SD memory card if determined unreadable in step (6). This could make it readable.
Download an SD card formatter from the following site.
SD Association homepage: <https://www.sdcard.org/home/>
- (9) FTC supports FAT file system but not NTFS file system.
- (10) Mitsubishi Electric is not liable for any damages, in whole or in part, including failure of writing to an SD memory card, and corruption and loss of the saved data, or the like. Back up saved data as necessary.
- (11) Do not touch any electronic parts on the FTC control board when inserting or ejecting an SD memory card, or else the control board could fail.

Logos
  
  
Capacities
2 GB to 32 GB *2
SD speed classes
All

- The SD Logo is a trademark of SD-3C, LLC.
The miniSD logo is a trademark of SD-3C, LLC.
The microSD logo is a trademark of SD-3C, LLC.

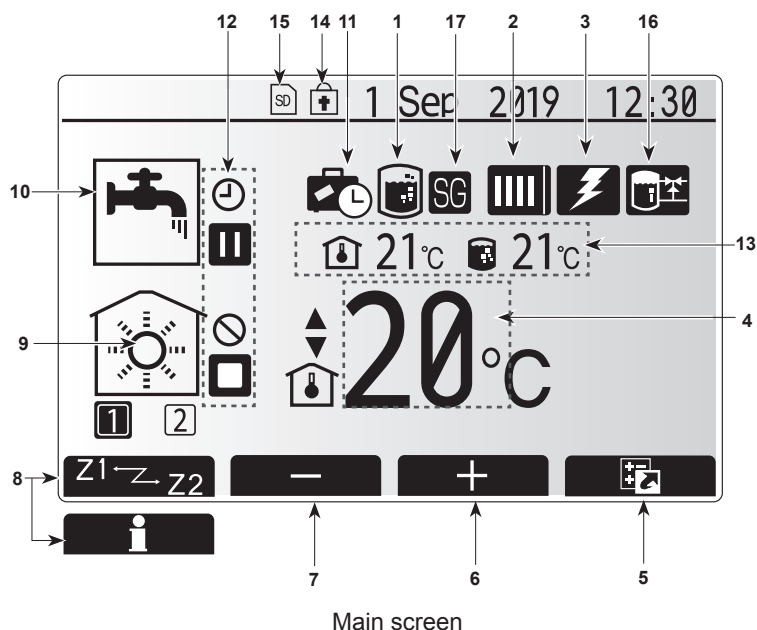
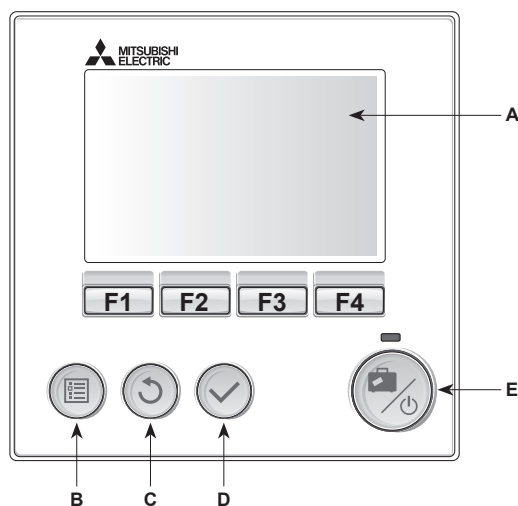
*2 A 2-GB SD memory card stores up to 30 days of operation logs.

en

5 System Set Up

5.6 Main remote controller

To change the settings of your heating/cooling system please use the main remote controller located on the front panel of the cylinder unit or hydrobox. The following is a guide to viewing the main settings. Should you require more information please contact your installer or local Mitsubishi Electric dealer. Cooling mode is available for ERS series only. However, Cooling mode is not available when the indoor unit is connected to PUHZ-FRP.



Main screen

<Main remote controller parts>

Letter	Name	Function
A	Screen	Screen in which all information is displayed.
B	Menu	Access to system settings for initial set up and modifications.
C	Back	Return to previous menu.
D	Confirm	Used to select or save. (Enter key)
E	Power/Holiday	If system is switched off pressing once will turn system ON. Pressing again when system is switched on will enable Holiday Mode. Holding the button down for 3 secs will turn the system off. (*1)
F1-4	Function keys	Used to scroll through menu and adjust settings. Function is determined by the menu screen visible on screen A.

*1

When the system is switched off or the power supply is disconnected, the indoor unit protection functions (e.g. freeze stat. function) will NOT operate. Please beware that without these safety functions enabled the indoor unit may potentially become exposed to damage.

en

<Main screen icons>

	Icon	Description
1	Legionella prevention	When this icon is displayed 'Legionella prevention mode' is active.
2	Heat pump	Heat pump is running.
		Defrosting
		Emergency heating
		'Quiet mode' is activated.
3	Electric heater	When this icon is displayed the 'Electric heaters' (booster or immersion heater) are in use.
4	Target temperature	Target flow temperature
		Target room temperature
		Compensation curve
5	OPTION	Pressing the function button below this icon will display the option screen.
6	+	Increase desired temperature.
7	-	Decrease desired temperature.
8	Z1 ↔ Z2	Pressing the function button below this icon switches between Zone1 and Zone2.
		Information
9	Space heating (cooling) mode	Heating mode Zone1 or Zone2
		Cooling mode Zone1 or Zone2
10	DHW mode	Normal or ECO mode
11	Holiday mode	When this icon is displayed 'Holiday mode' activated.
12	Timer	
	Prohibited	
	Server control	
	Stand-by	
	Stand-by (*2)	
	Stop	
	Operating	
13	Current temperature	Current room temperature
		Current water temperature of DHW tank
14	Menu lock	The Menu button is locked or the switching of the operation modes between DHW and Heating operations are disabled in the Option screen. (*3)
15	SD card	SD memory card (NOT for the user) is inserted.
16	Buffer tank control	When this icon is displayed 'Buffer tank control' is active.
17	Smart grid ready	When this icon is displayed, 'Smart grid ready' is active.

*2 This unit is in Stand-by whilst other indoor unit(s) is in operation by priority.

*3 To lock or unlock the Menu, press the BACK and CONFIRM keys simultaneously for 3 seconds.

5 System Set Up

■ [Initial settings wizard]

When the main remote controller is switched on for the first time, the screen automatically goes to Language setting screen, Date/Time setting screen and Main settings menu screen in order. Enter the desired number using the function keys and press CONFIRM.

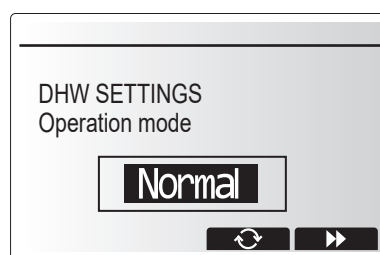
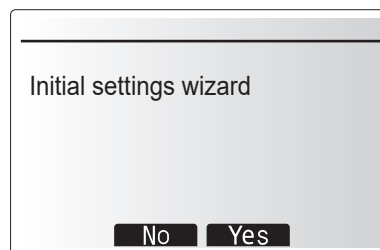
Note:

<[HEATER CAPACITY RESTRICTION]>

This setting restricts the booster heater capacity. It is NOT possible to change the setting after starting up.

If you do not have any special requirements (such as building regulations) in your country, skip this setting (select "No").

- [Hot water (DHW/Legionella)]
- [Heating]/[Cooling]
- [Operation (ON/Prohibited/Timer)]
- [Pump speed]
- [Heat pump flow rate range]
- [Mixing valve control]
- [HEATER CAPACITY RESTRICTION]



■ Main Settings Menu

The main settings menu can be accessed by pressing the MENU button. To reduce the risk of untrained end users altering the settings accidentally there are two access levels to the main settings; and the service section menu is password protected.

User Level – Short press

If the MENU button is pressed once for a short time the main settings will be displayed but without the edit function. This will enable the user to view current settings but **NOT** change the parameters.

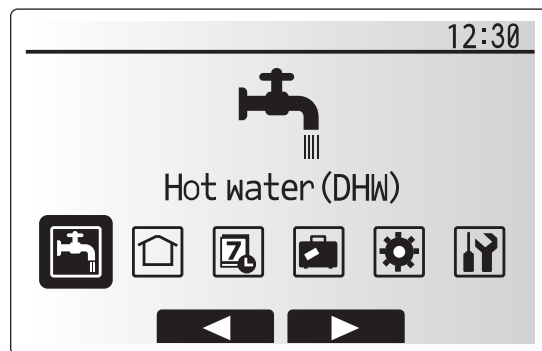
Installer Level – Long press

If the MENU button is pressed down for 3 seconds the main settings will be displayed with all functionality available.

The color of ◀▶ buttons is inverted, as per figure on right. <Fig. 5.6.1>.

The following items can be viewed and/or edited (dependent on access level).

- [Domestic Hot water (DHW)]
- [Heating]/[Cooling]
- [Schedule timer]
- [Holiday mode]
- [Initial settings]
- [Service (Password protected)]



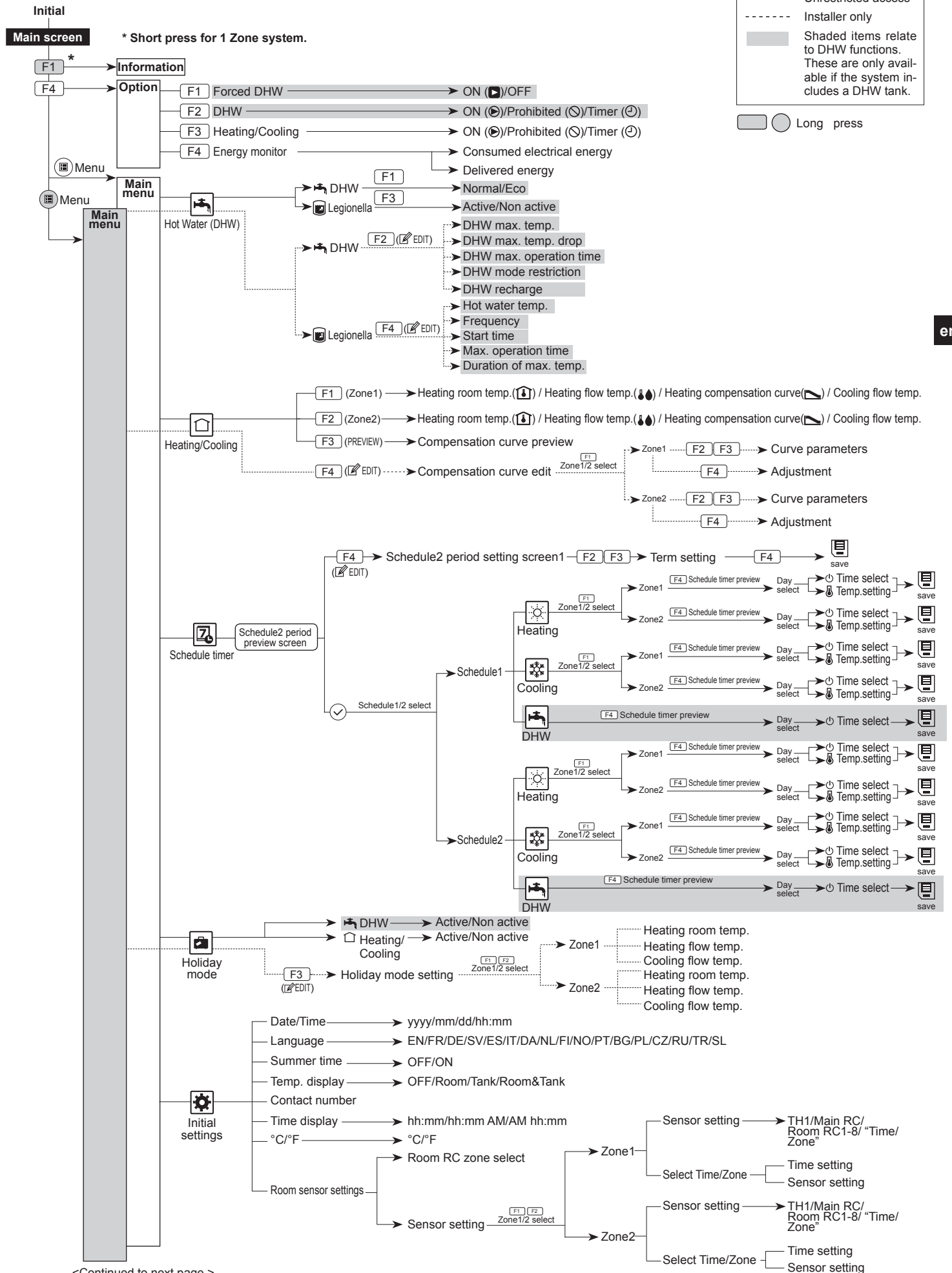
Main menu



<Fig. 5.6.1>

5 System Set Up

<Main Controller Menu Tree>

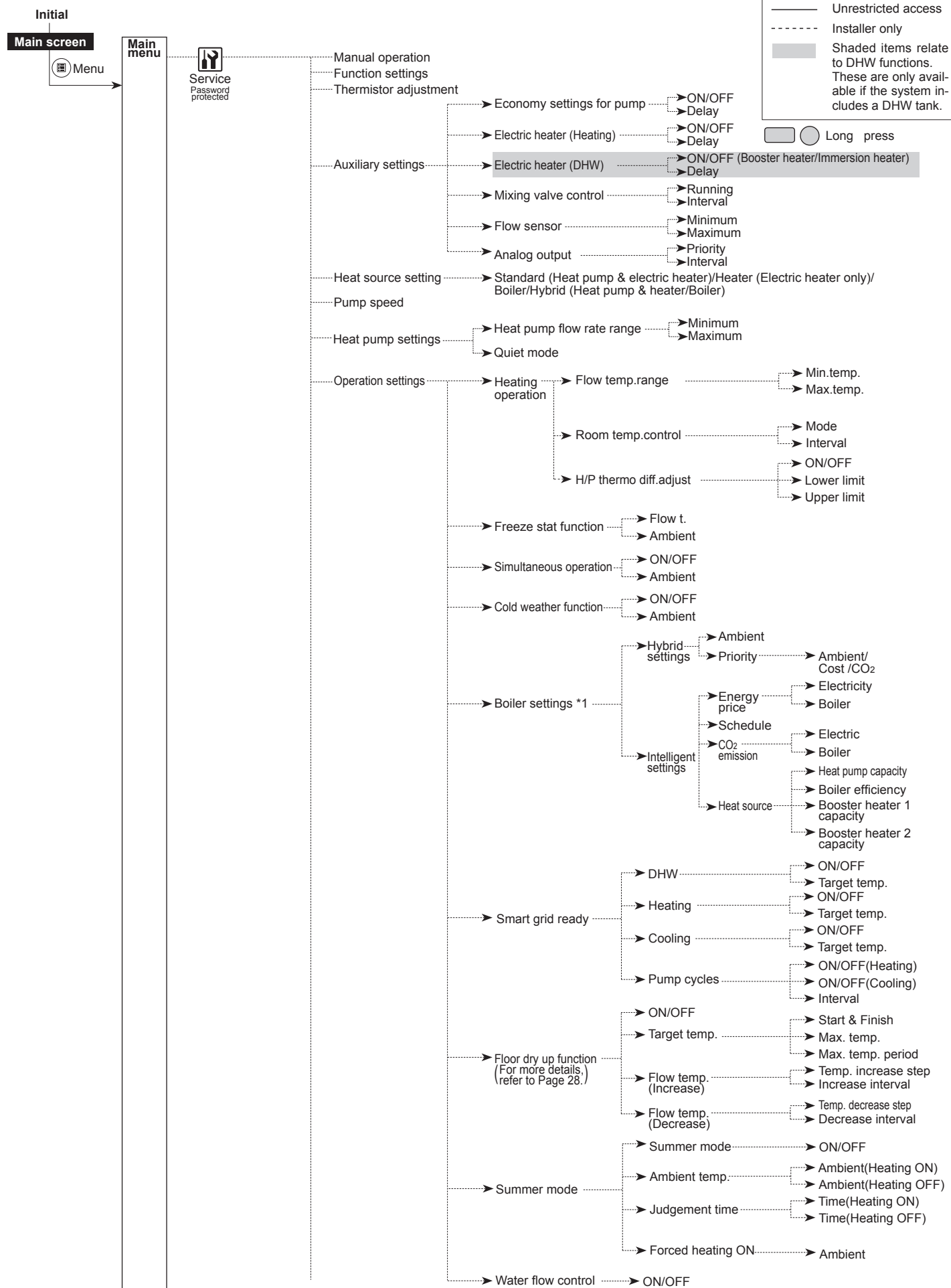


<Continued to next page.>

5 System Set Up

<Continued from the previous page.>

<Main Controller Menu Tree>



— Unrestricted access
 - - - - - Installer only
 ■ Shaded items relate to DHW functions. These are only available if the system includes a DHW tank.

□ ○ Long press

en

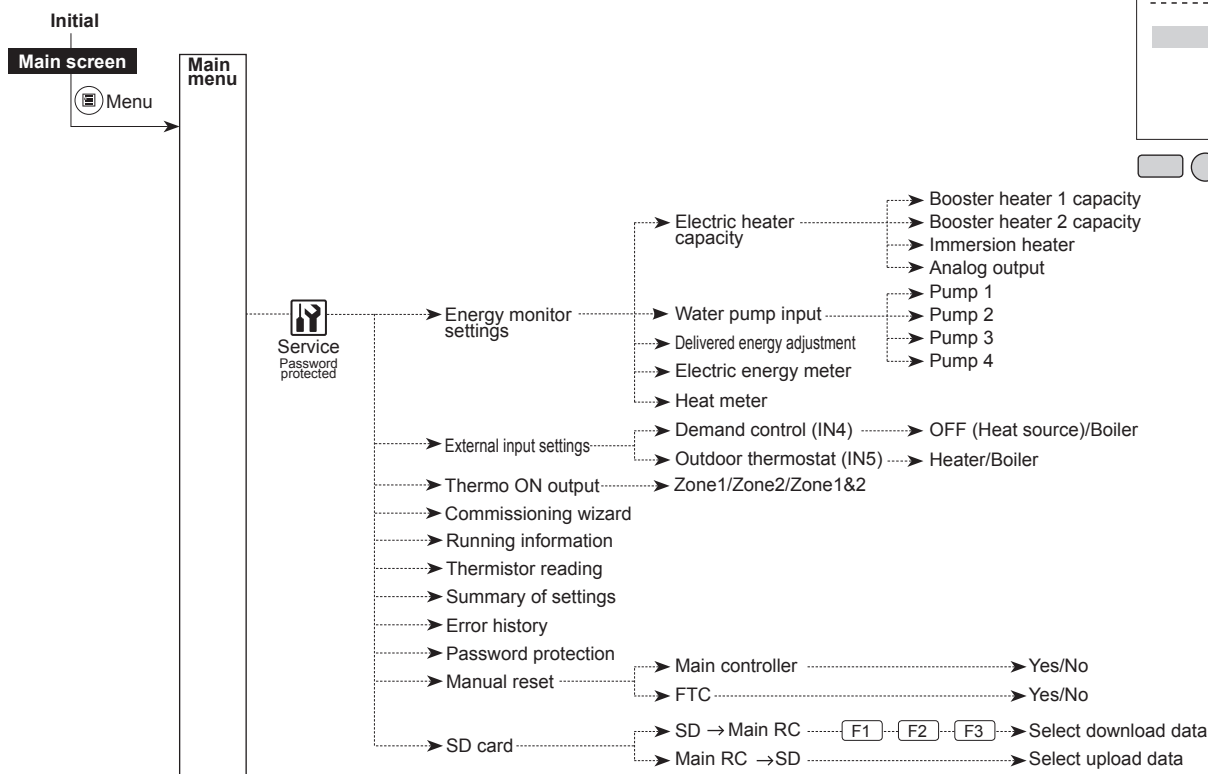
<Continued to next page.>

*1 For more details, refer to the installation manual of PAC-TH012HT(L)-E.

5 System Set Up

<Continued from the previous page.>

<Main Controller Menu Tree>



Unrestricted access
 Installer only
 Shaded items relate to DHW functions. These are only available if the system includes a DHW tank.

Long press

en

Domestic Hot Water (DHW)/Legionella Prevention

The domestic hot water and legionella prevention menus control the operation of DHW tank heat ups.

<DHW mode settings>

1. Highlight the hot water icon and press CONFIRM.
2. Use button F1 to switch between Normal and ECO heating modes.
3. To edit the mode, press down the MENU button for 3 seconds, then select "hot water".
4. Press F2 key to display the Hot Water (DHW) SETTING menu.
5. Use F2 and F3 keys to scroll through the menu selecting each component in turn by pressing CONFIRM. See the table below for description of each setting.
6. Enter the desired number using the function keys and press CONFIRM.



Menu subtitle	Function	Range	Unit	Default value
DHW max. temp.	Desired temperature of stored hot water	40 - 60	°C	50
DHW max. temp. drop	Difference in temperature between DHW max. temp. and the temperature at which DHW mode restarts	5 - 30 *	°C	10
DHW max. operation time	Max. time allowed for stored water heating DHW mode	30 - 120	min	60
DHW mode restriction	The time period after DHW mode when space heating has priority over DHW mode temporarily preventing further stored water heating (Only when DHW max. operation time has passed.)	30 - 120	min	30

* When the DHW max. temp is set over 55°C, the temperature at which DHW mode restarts must be less than 50°C to protect the device.

<Eco mode>

DHW mode can run in either 'Normal' or 'Eco' mode. Normal mode will heat the water in the DHW tank more quickly using the full power of the heat pump. Eco mode takes a little longer to heat the water in the DHW tank but the energy used is reduced. This is because heat pump operation is restricted using signals from the FTC based on measured DHW tank temperature.

Note: The actual energy saved in Eco mode will vary according to outdoor ambient temperature.

<[DHW recharge]>

Select the amount of DHW tank. If you need much hot water, select LARGE.

Return to the DHW/legionella prevention menu.

5 System Set Up

Legionella Prevention Mode settings (LP mode)

1. Use button F3 to choose legionella mode active YES/NO.
2. To edit the legionella function, press down the MENU button for 3 seconds and select "hot water", then press F4 key.
3. Use F1 and F2 keys to scroll through the menu selecting each subtitle in turn by pressing CONFIRM. See the table below for description of each setting.
4. Enter the desired number using the function keys and press CONFIRM.

During Legionella Prevention Mode the temperature of the stored water is increased above 60°C to inhibit legionella bacteria growth. It is strongly recommended that this is done at regular intervals. Please check local regulations for the recommended frequency of heat ups.

Note: When failures occur on the hydrobox, the LP mode may not function normally.

Menu subtitle	Function	Range	Unit	Default value
Hot water temp.	Desired temp. of stored hot water	60–70	°C	65
Frequency	Time between LP mode DHW tank heat up	1–30	day	15
Start time	Time when LP mode will begin	0:00–23:00	-	03:00
Max. operation time	Maximum time allowed for LP mode DHW tank heat	1–5	hour	3
Duration of max. temp.	The time period after LP mode desired water temp. has been reached	1–120	min	30

Please note that LP mode uses the assistance of electric heaters to supplement the energy input of the heat pump. Heating water for long periods of time is not efficient and will increase running costs. The installer should give careful consideration to the necessity of legionella prevention treatment whilst not wasting energy by heating the stored water for excessive time periods. The end user should understand the importance of this feature.

ALWAYS COMPLY WITH LOCAL AND NATIONAL GUIDANCE FOR YOUR COUNTRY REGARDING LEGIONELLA PREVENTION.

[Initial Settings]

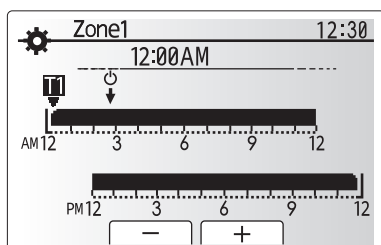
From the Initial settings menu the installer can set the following.

- [Date/Time] *Be sure to set it to the local standard time.
- [Language]
- [Summer time]
- [Temp. display]
- [Contact number]
- [Time display]
- [°C/°F]
- [Room sensor settings]

Follow the procedure described in General Operation for the set up operation.

<[Room sensor settings]>

For room sensor settings it is important to choose the correct room sensor depending on the heating mode the system will operate in.



Time/Zone schedule setting screen

Menu subtitle	Description																				
Room RC zone select	When 2-zone temperature control is active and wireless remote controllers are available, from Room RC zone select screen, select zone no. to assign to each main remote controller.																				
Sensor setting	From sensor setting screen, select a room sensor to be used for monitoring the room temperature from Zone1 and Zone2 separately. <table border="1" data-bbox="954 1003 1489 1272"> <thead> <tr> <th rowspan="2">Control option (Website manual)</th> <th colspan="2">Corresponding initial settings room sensor</th> </tr> <tr> <th>Zone1</th> <th>Zone2</th> </tr> </thead> <tbody> <tr> <td>A</td> <td>Room RC 1-8 (one each for Zone1 and Zone2)</td> <td>*1</td> </tr> <tr> <td>B</td> <td>TH1</td> <td>*1</td> </tr> <tr> <td>C</td> <td>Main remote controller</td> <td>*1</td> </tr> <tr> <td>D</td> <td>*1</td> <td>*1</td> </tr> <tr> <td>When different room sensors are used according to the time schedule</td> <td>Time/ Zone*2</td> <td>*1</td> </tr> </tbody> </table>	Control option (Website manual)	Corresponding initial settings room sensor		Zone1	Zone2	A	Room RC 1-8 (one each for Zone1 and Zone2)	*1	B	TH1	*1	C	Main remote controller	*1	D	*1	*1	When different room sensors are used according to the time schedule	Time/ Zone*2	*1
Control option (Website manual)	Corresponding initial settings room sensor																				
	Zone1	Zone2																			
A	Room RC 1-8 (one each for Zone1 and Zone2)	*1																			
B	TH1	*1																			
C	Main remote controller	*1																			
D	*1	*1																			
When different room sensors are used according to the time schedule	Time/ Zone*2	*1																			

- *1. Not specified (if a locally-supplied room thermostat is used)
Room RC 1-8 (one each for Zone1 and Zone2) (if a wireless remote controller is used as a room thermostat)
- *2. From sensor setting screen, select Time/Zone to make it possible to use different room sensors according to the time schedule set in the Select Time/ Zone menu. The room sensors can be switched up to 4 times within 24 hours.

5 System Set Up

[Service] Menu

The service menu provides functions for use by installer or service engineer. It is NOT intended the home owner alters settings within this menu. It is for this reason password protection is required to prevent unauthorised access to the service settings.

The factory default password is "0000".

Follow the procedure described in General Operation for the set up operation.

Many functions can not be set whilst the indoor unit is running. The installer should turn off the unit before trying to set these functions. If the installer attempts to change the settings whilst the unit is running the main remote controller will display a reminder message prompting the installer to stop operation before continuing. By selecting "Yes" the unit will cease operation.

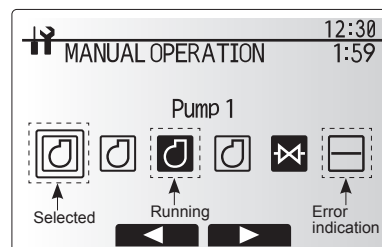
<[Manual operation]>

During the filling of the system the primary circuit circulation pump and 3-way valve can be manually overridden using manual operation mode.

When manual operation is selected a small timer icon appears in the screen. When selected, this function will only remain in manual operation for a maximum of 2 hours. This is to prevent accidental permanent override of the FTC.

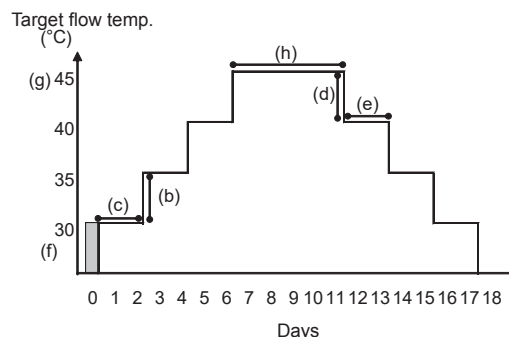
► Example

Pressing F3 button will switch manual operation mode ON for the main 3-way valve. When filling of the DHW tank is complete the installer should access this menu again and press F3 to deactivate manual operation of the part. Alternatively after 2 hours manual operation mode will no longer be active and FTC can resume control of the hydrobox.



Manual operation menu screen

Manual operation and heat source setting can not be selected if the system is running. A screen will be displayed asking the installer to stop the system before these modes can be activated. The system automatically stops 2 hours after last operation.



- This function is not available when a PUHZ-FRP outdoor unit is connected.
- Disconnect wiring to external inputs of room thermostat, demand control, and outdoor thermostat, or the target flow temperature may not be maintained.

<[Floor dry up function]>

The Floor dry up function automatically changes the target hot water temperature in stages to gradually dry concrete when this particular type of underfloor heating system is installed.

Upon completion of the operation the system stops all the operations except the Freeze stat. operation.

For Floor dry up function, the target flow temp. of Zone1 is the same as that of Zone2.

Functions	Symbol	Description	Option/Range	Unit	Default
Floor dry up function	a	Set the function to ON and power on the system using the main remote controller, and the dry up heating operation will start.	On/Off	—	Off
Flow temp. (increase)	b	Sets the increase step of the target flow temperature.	+1 - +10	°C	+5
	c	Sets the period for which the same target flow temperature is maintained.	1 - 7	day	2
Flow temp. (decrease)	d	Sets the decrease step of the target flow temperature.	-1 - -10	°C	-5
	e	Sets the period for which the same target flow temperature is maintained.	1 - 7	day	2
Target temperature	f	Sets the target flow temperature at the start and the finish of the operation.	20 - 60	°C	30
	g	Sets the maximum target flow temperature.	20 - 60	°C	45
	h	Sets the period for which the maximum target flow temperature is maintained.	1 - 20	day	5

<[Password protection]>

Password protection is available to prevent unauthorised access to the service menu by untrained persons.

Resetting the password

If you forget the password you entered, or have to service a unit somebody else installed, you can reset the password to the factory default of 0000.

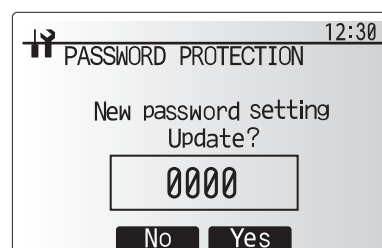
1. From the main settings menu scroll down the functions until Service Menu is highlighted.
2. Press CONFIRM.
3. You will be prompted to enter a password.
4. Hold down buttons F3 and F4 together for 3 seconds.
5. You will be asked if you wish to continue and reset the password to default setting.
6. To reset press button F3.
7. The password is now reset to 0000.

<[Manual reset]>

Should you wish to restore the factory settings at any time you should use the manual reset function. Please note this will reset ALL functions to the factory default settings.



Password input screen



Password verify screen

6 Service and Maintenance

The indoor hydrobox must be serviced **once a year** by a qualified individual. Servicing and maintenance of the outdoor unit should only be done by a Mitsubishi Electric trained technician with relevant qualifications and experience. Any electrical work should be done by a tradesperson with the appropriate electrical quali-

fications. Any maintenance or 'DIY' fixes done by a non-accredited person could invalidate the Warranty and/or result in damage to the hydrobox and injury to the person.

■ Error Codes

Code	Error	Action
L3	Circulation water temperature overheat protection	Flow rate may be reduced. Check for; <ul style="list-style-type: none"> • Water leakage • Strainer blockage • Water circulation pump function (Error code may display during filling of primary circuit, complete filling and reset error code.)
L4	DHW tank water temperature overheat protection	Check the immersion heater and it's contactor.
L5	Indoor unit temperature thermistor (THW1, THW2, THW5B, THW6, THW7, THW8, THW9) failure	Check resistance across the thermistor.
L6	Circulation water freeze protection	See Action for L3.
L8	Heating operation error	Check and re-attach any thermistors that may have become dislodged.
L9	Low primary circuit flow rate detected by flow sensor or flow switch (flow switches 1, 2, 3)	See Action for L3. If the flow sensor or flow switch itself does not work, replace it. Caution: The pump valves may be hot, please take care.
LA	Pressure sensor failure	Check pressure sensor cable for damage or loose connections.
LB	High pressure protection	<ul style="list-style-type: none"> • Flow rate of the heating circuit may be reduced. Check water circuit. • Plate heat exchanger may be clogged. Check the plate heat exchanger. • Outdoor unit failure. Refer to outdoor unit service manual.
LC	Boiler circulation water temperature overheat protection	Check if the setting temperature of the Boiler for heating exceeds the restriction. (See the manual of the thermistors "PAC-TH012HT-E") Flow rate of the heating circuit from the boiler may be reduced. Check for <ul style="list-style-type: none"> • water leakage • strainer blockage • water circulation pump function
LD	Boiler temperature thermistor (THWB1) failure	Check resistance across the thermistor.
LE	Boiler operation error	See Action for L8. Check the status of the boiler.
LF	Flow sensor failure	Check flow sensor cable for damage or loose connections.
LH	Boiler circulation water freeze protection	Flow rate of the heating circuit from the boiler may be reduced. Check for <ul style="list-style-type: none"> • water leakage • strainer blockage • water circulation pump function
LJ	DHW operation error (type of external plate HEX)	Check for disconnection of DHW tank water temp. thermistor (THW5B). Flow rate of the sanitary circuit may be reduced. Check for water circulation pump function. (primary / sanitary)
LL	Setting errors of DIP switches on FTC control board	For boiler operation, check that DIP SW1-1 is set to ON (With Boiler) and DIP SW2-6 is set to ON (With Mixing Tank). For 2-zone temperature control, check DIP SW2-7 is set to ON (2-zone) and DIP SW2-6 is set to ON (With Mixing Tank).
LP	Out of water flow rate range for outdoor heat pump unit	Check the installation Table 4.3.1 Check remote controller settings (Service menu / heat pump flow rate range) See Action for L3.
P1	Thermistor (Room temp.) (TH1) failure	Check resistance across the thermistor.
P2	Thermistor (Ref. liquid temp.) (TH2) failure	Check resistance across the thermistor.
P6	Anti-freeze protection of plate heat exchanger	See Action for L3. Check for correct amount of refrigerant.
J0	Communication failure between FTC and wireless receiver	Check connection cable for damage or loose connections.
J1 - J8	Communication failure between wireless receiver and wireless remote controller	Check wireless remote controller's battery is not flat. Check the pairing between wireless receiver to wireless remote controller. Test the wireless communication. (See the manual of wireless system)
E0 - E5	Communication failure between main remote controller and FTC	Check connection cable for damage or loose connections.
E6 - EF	Communication failure between FTC and outdoor unit	Check that the outdoor unit has not been turned off. Check connection cable for damage or loose connections. Refer to outdoor unit service manual.
E9	Outdoor unit receives no signal from indoor unit.	Check both units are switched on. Check connection cable for damage or loose connections. Refer to outdoor unit service manual.
EE	Combination error between FTC and outdoor unit	Check combination of FTC and outdoor unit.
U*, F*	Outdoor unit failure	Refer to outdoor unit service manual.
A*	M-NET communication error	Refer to outdoor unit service manual.

Note: To cancel error codes please switch system off (Press button F4(RESET) on main remote controller).

6 Service and Maintenance

Annual Maintenance

It is essential that the hydrobox is serviced at least once a year by a qualified individual. Any required parts **MUST** be purchased from Mitsubishi Electric (safety matter). **NEVER** bypass safety devices or operate the unit without them being fully operational.

Note
<ul style="list-style-type: none"> • Within the first couple of months of installation, remove and clean the hydrobox's strainer plus any additional filter items that are fitted external to the hydrobox. This is especially important when installing on an old/existing pipe work system. • The PRV valve (No. 11 on Figure 3.3 and 3.4) should be checked annually by turning the knob manually so that the medium is discharged, thus cleaning the seal seat.

In addition to annual servicing it is necessary to replace or inspect some parts after a certain period of system operation. Please see tables below for detailed instructions. Replacement and inspection of parts should always be done by a competent person with relevant training and qualifications.

Parts which require regular replacement

Parts	Replace every	Possible failures
Pressure relief valve (3 bar) Air vent (Auto/Manual) Manometer	6 years	Water leakage

Parts which require regular inspection

Parts	Check every	Possible failures
Pressure relief valve (3 bar) Temperature and pressure relief valve	1 year (turning the knob manually)	PRV would be fixed and expansion vessel would burst
Immersion heater	2 years	Earth leakage causing circuit breaker to activate (Heater is always OFF)
Water circulation pump (Primary circuit)	20,000 hrs (3 years)	Water circulation pump failure

Parts which must NOT be re-used when servicing

- * O-ring
- * Gasket

Notes:

- Always replace the gasket for pump with a new one at each regular maintenance (every 20,000 hours of use or every 3 years).
- No need to inspect pressure relief valve (5 bar) because it does not contact with water unless 3 bar PRV is broken.

Engineers Forms

Should settings be changed from default, please enter and record new setting in 'Field Setting' column. This will ease resetting in the future should the system use change or the circuit board need to be replaced.

Commissioning/Field settings record sheet

Main remote controller screen		Parameters	Default setting	Field setting	Notes	
Main	Zone1 heating room temp.	10°C - 30°C	20°C			
	Zone2 heating room temp. *14	10°C - 30°C	20°C			
	Zone1 heating flow temp.	20°C - 60°C	45°C			
	Zone2 heating flow temp. *1	20°C - 60°C	35°C			
	Zone1 cooling flow temp. *12	5°C - 25°C	15°C			
	Zone2 cooling flow temp. *12	5°C - 25°C	20°C			
	Zone1 heating compensation curve	-9°C - + 9°C	0°C			
	Zone2 heating compensation curve *1	-9°C - + 9°C	0°C			
	Holiday mode	Active/Non active/Set time	—			
Option	Forced DHW operation	On/Off	—			
	DHW	On/Off/Timer	On			
	Heating/Cooling	On/Off/Timer	On			
Setting	DHW *13	Energy monitor	Consumed electrical energy/Delivered energy	—		
		Operation mode	Normal/Eco *16	Normal		
		DHW max. temp.	40°C - 60°C *2	50°C		
		DHW temp. drop	5°C - 30°C	10°C		
		DHW max. operation time	30 - 120 min	60 min		
		DHW mode restriction	30 - 120 min	30 min		
		DHW recharge	Large/Standard	Large *19		
	Legionella prevention *13	Active	Yes/No	Yes		
		Hot water temp.	60°C - 70°C *2	65°C		
		Frequency	1 - 30 days	15 days		
		Start time	00.00 - 23.00	03.00		
		Max. operation time	1 - 5 hours	3 hours		
		Duration of maximum temp.	1 - 120 min	30 min		
		Heating/ Cooling *12	Zone1 operation mode	Heating room temp./ Heating flow temp./ Heating compensation curve/ Cooling flow temp.	Room temp.	
	Zone2 operation mode *1		Heating room temp./ Heating flow temp./ Heating compensation curve/ Cooling flow temp.	Compensation curve		
	Compensation curve	Hi flow temp. set point	Zone1 outdoor ambient temp.	-30°C - +33°C *3	-15°C	
			Zone1 flow temp.	20°C - 60°C	50°C	
			Zone2 outdoor ambient temp. *1	-30°C - +33°C *3	-15°C	
			Zone2 flow temp. *1	20°C - 60°C	40°C	
		Lo flow temp. set point	Zone1 outdoor ambient temp.	-28°C - +35°C *4	35°C	
			Zone1 flow temp.	20°C - 60°C	25°C	
			Zone2 outdoor ambient temp. *1	-28°C - +35°C *4	35°C	
			Zone2 flow temp. *1	20°C - 60°C	25°C	
		Adjust	Zone1 outdoor ambient temp.	-29°C - +34°C *5	—	
			Zone1 flow temp.	20°C - 60°C	—	
	Holiday	DHW *13	Zone2 outdoor ambient temp. *1	-29°C - +34°C *5	—	
			Zone2 flow temp. *1	20°C - 60°C	—	
Heating/ Cooling *12		DHW *13	Active/Non active	Non active		
		Heating/ Cooling *12	Active/Non active	Active		
		Zone1 heating room temp.	10°C - 30°C	15°C		
		Zone2 heating room temp. *14	10°C - 30°C	15°C		
		Zone1 heating flow temp.	20°C - 60°C	35°C		
Zone2 heating flow temp. *1	20°C - 60°C	25°C				
Zone1 cooling flow temp. *12	5°C - 25°C	25°C				
Zone2 cooling flow temp. *12	5°C - 25°C	25°C				

(Continued to next page.)

6 Service and Maintenance

Engineers Forms

Commissioning/Field settings record sheet

Main remote controller screen			Parameters		Default setting	Field setting	Notes	
Setting	Initial settings	Language	EN/FR/DE/SV/ES/IT/DA/NL/FI/NO/PT/BG/PL/CZ/RU/TR/SL		EN			
		°C/°F	°C/°F		°C			
Summer time		On/Off		Off				
Temp. display		Room/DHW tank/Room&DHW tank /Off		Off				
Time display		hh:mm/hh:mm AM/AM hh:mm		hh:mm				
Room sensor settings for Zone1		TH1/Main RC/Room RC1-8/"Time/Zone"		TH1				
Room sensor settings for Zone2 *1		TH1/Main RC/Room RC1-8/"Time/Zone"		TH1				
	Service menu	Room RC zone select *1	Zone1/Zone2		Zone1			
		Thermistor adjustment	THW1	-10°C - +10°C	0°C			
			THW2	-10°C - +10°C	0°C			
			THW5B	-10°C - +10°C	0°C			
			THW6	-10°C - +10°C	0°C			
			THW7	-10°C - +10°C	0°C			
			THW8	-10°C - +10°C	0°C			
			THW9	-10°C - +10°C	0°C			
			THW10	-10°C - +10°C	0°C			
			THWB1	-10°C - +10°C	0°C			
		Auxiliary settings	Economy settings for pump.	On/Off *6 Delay (3 - 60 min)	On 10 min			
			Electric heater (Heating)	Space heating: On (used)/Off (not used) Electric heater delay timer (5 - 180 min)	On 30 min			
			Electric heater (DHW) *13	Booster heater	DHW: On (used)/Off (not used)	On		
				Immersion heater	DHW: On (used)/Off (not used)	On		
				Electric heater delay timer (15 - 30 min)	15 min			
			Mixing valve control	Running (10 - 240 sec) Interval (1 - 30 min)	120 sec 2 min			
			Flow sensor *18	Minimum (0 - 100 L/min)	5 L/min			
				Maximum (0 - 100 L/min)	100 L/min			
			Analog output	Interval (1 - 30 min)	5 min			
				Priority (Normal/High)	Normal			
		Pump speed	DHW	Pump speed (1 - 5)	5			
			Heating/Cooling	Pump speed (1 - 5)	5			
		Heat source setting	Standard/Heater/Boiler/Hybrid *7		Standard			
		Heat pump setting	Heat pump flow rate range		Minimum (0 - 100 L/min)	5 L/min		
					Maximum (0 - 100 L/min)	100 L/min		
			Quiet mode		Day (Mon - Sun)	—		
					Time	0:00 - 23:45		
			Quiet level (Normal/ Level1/ Level2)		Normal			
	Operation settings	Heating operation *8	Flow temp.range *10	Min.temp.(20 - 45°C)	30°C			
					Max.temp.(35 - 60°C)	50°C		
				Room temp. control *15	Mode(Normal/Fast)	Normal		
					Interval(10 - 60 min)	10min		
			Heat pump thermo diff.adjust	On/Off *6	On			
				Lower limit (-9 - -1°C)	-5°C			
				Upper limit (+3 - +5°C)	5°C			
			Freeze stat function *11	Outdoor ambient temp. (3 - 20°C) / **		5°C		
			Simultaneous operation (DHW/ Heating)	On/Off *6		Off		
			Cold weather function	Outdoor ambient temp. (-30 - +10°C) *3		-15°C		
		On/Off *6		Off				
			Outdoor ambient temp. (-30 - -10°C) *3		-15°C			
		Boiler operation	Hybrid settings	Outdoor ambient temp. (-30 - +10°C) *3	-15°C			
					Priority mode (Ambient/Cost/CO ₂) *17	Ambient		
					Outdoor ambient temp. rise (+1 - +5°C)	+3°C		
				Intelligent settings	Energy price *9	Electricity (0.001 - 999 */kWh)	0.5 */kWh	
						Boiler (0.001 - 999 */kWh)	0.5 */kWh	
				CO ₂ emission	Electricity (0.001 - 999 kg -CO ₂ /kWh)	0.5 kg -CO ₂ / kWh		
						Boiler (0.001 - 999 kg -CO ₂ /kWh)	0.5 kg -CO ₂ / kWh	
			Heat source		Heat pump capacity (1 - 40 kW)	11.2 kW		
					Boiler efficiency (25 - 150%)	80%		
					Booster heater 1 capacity (0 - 30 kW)	2 kW		
					Booster heater 2 capacity (0 - 30 kW)	4 kW		

(Continued to next page.)

6 Service and Maintenance

Engineers Forms

Commissioning/Field settings record sheet (continued from the previous page)

Main remote controller screen				Parameters		Default setting	Field setting	Notes
Service menu	Operation settings	Smart grid ready	DHW	On/Off		Off		
				Target temp (+1- +20°C) / -- (Non active)		--		
			Heating	On/Off		Off		
				Target temp.	Switch-on recommendation (20 - 60°C)	50°C		
					Switch-on command (20 - 60°C)	55°C		
			Cooling	On/Off		Off		
				Target temp.	Switch-on recommendation (5 - 25°C)	15°C		
					Switch-on command (5 - 25°C)	10°C		
			Pump cycles	Heating (On/Off)		On		
				Cooling (On/Off)		On		
				Interval (10-120 min)		10 min		
			Floor dry up function	On/Off *6		Off		
				Target temp.	Start&Finish (20 - 60°C)	30°C		
					Max. temp. (20 - 60°C)	45°C		
					Max. temp. period (1 - 20 days)	5 days		
		Flow temp. (Increase)		Temp. increase step (+1 - +10°C)	+5°C			
				Increase interval (1 - 7 days)	2 days			
		Flow temp. (Decrease)		Temp. decrease step (-1 - -10°C)	-5°C			
				Decrease interval (1 - 7 days)	2 days			
		Summer mode		On/Off		Off		
				Outdoor ambient temp.	Heating ON (4 - 19°C)	10°C		
			Heating OFF (5 - 20°C)		15°C			
			Judgement time	Heating ON (1 - 48 hours)	6 hours			
				Heating OFF (1 - 48 hours)	6 hours			
		Forced heating ON (-30 - 10°C)		5°C				
		Water flow control		On/Off	Off			
		Energy monitor settings	Electric heater capacity	Booster heater 1 capacity	0 - 30 kW	2 kW		
				Booster heater 2 capacity	0 - 30 kW	4 kW		
				Immersion heater capacity	0 - 30 kW	0 kW		
				Analog output	0 - 30 kW	0 kW		
			Delivered energy adjustment		-50 - +50%	0%		
			Water pump input	Pump 1	0 - 200 W or ***(factory fitted pump)	***		
				Pump 2	0 - 200 W	0 W		
				Pump 3	0 - 200 W	0 W		
				Pump 4 *19	0 - 200 W	72 W		
			Electric energy meter		0.1/1/10/100/1000 pulse/kWh	1 pulse/kWh		
		Heat meter		0.1/1/10/100/1000 pulse/kWh	1 pulse/kWh			
		External input settings	Demand control (IN4)		Heat source OFF/Boiler operation	Boiler operation		
			Outdoor thermostat (IN5)		Heater operation/Boiler operation	Boiler operation		
		Thermo ON output		Zone1/Zone2/Zone1&2	Zone1&2			

*1 The settings related to Zone2 can be switched only when 2 Zone temperature control is enabled (when DIP SW2-6 and SW 2-7 are ON).

*2 For the model without both booster and immersion heater, it may not reach the set temperature depending on the outside ambient temperature.

*3 The lower limit is -15°C depending on the connected outdoor unit.

*4 The lower limit is -13°C depending on the connected outdoor unit.

*5 The lower limit is -14°C depending on the connected outdoor unit.

*6 On: the function is active; Off: the function is inactive.

*7 When DIP SW1-1 is set to OFF "WITHOUT Boiler" or SW2-6 is set to OFF "WITHOUT Mixing tank", neither Boiler nor Hybrid can be selected.

*8 Valid only when operating in Room temp. control mode.

9 "" of "*/kWh" represents currency unit (e.g. € or £ or the like)

*10 Valid only when operating in Heating room temperature.

*11 If asterisk (**) is chosen freeze stat function is deactivated. (i.e. primary water freeze risk)

12 Cooling mode settings are available for ERS model only.

*13 Only available if DHW tank present in system.

*14 The settings related to Zone2 can be switched only when 2-zone temperature control or 2-zone valve ON/OFF control is active.

*15 When DIP SW5-2 is set to OFF, the function is active.

*16 When the hydrobox is connected with a PUMY-P outdoor unit, the mode is fixed to "Normal".

*17 When the hydrobox is connected with a PUMY-P outdoor unit, the mode is fixed to "Ambient".

*18 Do not change the setting since it is set according to the specification of flow sensor attached to the hydrobox.

*19 This setting is valid for only cylinder units.

en

1. Sicherheitshinweise 2
 2. Einführung 3
 3. Technische Informationen 4
 4. Installation 11
 4.1 Aufstellungsort 11
 4.2 Wasserqualität und Systemvorbereitung 13
 4.3 Wasserleitungen 14
 4.4 Elektrischer Anschluss 16
 5. Systemeinrichtung 18
 5.1 DIP-Schalter-Funktionen 18
 5.2 Anschließen der Eingänge/Ausgänge 19
 5.3 Verdrahtung für Temperaturregelung 2 Heizkreise 20
 5.4 Alleiniger Betrieb des Innengerätes (während der Installation) 21
 5.5 Einsatz einer SD-Speicherkarte 21
 5.6 Der Hauptregler 22
 6. Wartung und Instandhaltung 29



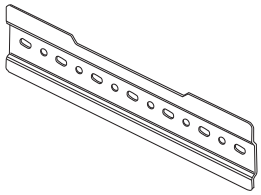
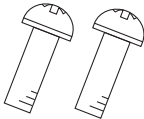
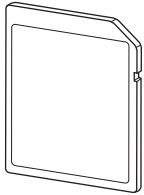
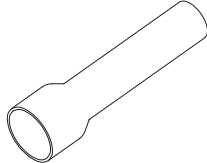
<http://www.mitsubishielectric.com/ldg/ibim/>

Wenn Sie weitere Informationen wünschen, die nicht in diesem Handbuch enthalten sind, besuchen Sie die obige Website, um Handbücher herunterzuladen, wählen Sie den Modellnamen und dann die Sprache.

Inhalt des Website-Handbuchs

- Energiemonitoring
- Raumthermostat
- Füllen des Systems
- Einfaches 2-Zonen-System
- Unabhängige elektrische Stromquelle
- Smart Grid Ready
- Trinkwarmwasserspeicher für Hydromodul
- Fernbedienungsoptionen
- Servicemenü (spezielle Einstellung)
- Ergänzende Informationen

de

Zubehör (im Lieferumfang enthalten)			
Montageplatte	Schraube M5×8	SD-Speicherkarte	Verbindungsrohr *
			
1	2	1	1

* Nur E*SE-Serie

Abkürzungen und Glossar

Nr.	Abkürzungen/Begriff	Beschreibung
1	Heizkurvenmodus	Außentemperaturgeführte Heizungsregelung
2	COP	Leistungszahl, Wirkungsgrad der Wärmepumpe
3	Kühlmodus	Raumkühlung durch Gebläsekonvektoren oder Fußbodenkühlung
4	TWW-Modus	Modus der Trinkwarmwasserbereitung zum Duschen, Geschirr spülen, Kochen usw.
5	Vorlauftemperatur	Temperatur des Heizungsvorlaufs
6	Frostschutzfunktion	Schutzfunktion der Heizregelung, die ein Einfrieren der Wasserleitungen verhindert
7	FTC	Wärmepumpen-/Heizungsregler, der für die Regelung des Heizsystems zuständig ist
8	Heizmodus	Raumheizung durch Heizkörper oder Fußbodenheizung
9	Hydromodul	Innengerät mit hydraulischen Installationskomponenten (OHNE TWW-Speicher)
10	Legionellen	Bakterien, die ggf. in Hausinstallationsleitungen, Duschen und Wasserspeichern vorhanden sind und die Legionärskrankheit verursachen können
11	AL-Modus	Anti-Legionellenmodus – Funktion zur Vermeidung/Verminderung des Wachstums von Legionellenbakterien in Trinkwarmwasserspeichern
12	Monoblock	Plattenwärmetauscher (Kältemittel - Wasser) im Wärmepumpenaußengerät
13	ÜDV	Überdruckventil
14	Rücklauftemperatur	Temperatur des Heizungsrücklaufs
15	Split	Plattenwärmetauscher (Kältemittel - Wasser) im Wärmepumpeninnengerät
16	THV	Thermostatisches Heizkörperventil

1 Sicherheitshinweise

Lesen Sie bitte die folgenden Sicherheitshinweise aufmerksam durch.





⚠️ WARNUNG:
Hinweise, die beachtet werden müssen, um Verletzungen oder Tod zu vermeiden.

⚠️ VORSICHT:
Hinweise, die beachtet werden müssen, um Schäden am Gerät zu vermeiden.

Nach der Installation muss dieses Installationshandbuch zusammen mit dem Bedienungshandbuch zum späteren Nachschlagen beim Produkt aufbewahrt werden. **Mitsubishi Electric ist nicht verantwortlich für ein Versagen von bauseitigen Teilen.**

- Stellen Sie eine regelmäßige Wartung sicher.
- Achten Sie auf die Einhaltung der geltenden Bestimmungen.
- Befolgen Sie die Anweisungen in diesem Handbuch.

BEDEUTUNG DER AUF DER EINHEIT ABGEBILDETEN SYMBOLE

	WARNUNG (Brandgefahr)	Dieses Symbol gilt nur für das Kältemittel R32. Der Kältemitteltyp ist auf dem Typenschild des Außengeräts angegeben. Falls der Kältemitteltyp dieses Geräts R32 ist, ist das Kältemittel des Geräts entzündlich. Wenn Kältemittel austritt und mit Feuer oder heißen Teilen in Berührung kommt, entsteht schädliches Gas und es besteht Brandgefahr.
		Lesen Sie vor dem Betrieb sorgfältig das BEDIENUNGSHANDBUCH.
		Service Techniker müssen vor dem Betrieb das BEDIENUNGSHANDBUCH und die INSTALLATIONSANLEITUNG sorgfältig lesen.
		Weitere Informationen finden Sie in der BEDIENUNGSANLEITUNG, dem INSTALLATIONSHANDBUCH und ähnlichen Materialien.

⚠️ ⚠️ WARNUNG

Mechanik

- Das Hydromodul und das Außengerät dürfen nicht vom Benutzer installiert, zerlegt, versetzt, geändert oder repariert werden. Wenden Sie sich an einen autorisierten Installateur oder Techniker. Eine nicht fachkundige Installation oder eine Modifikation nach der Installation kann zum Austritt von Wasser, zu einem elektrischen Schlag oder zu Feuer führen.
- Das Außengerät muss an einer festen, ebenen Oberfläche, die sein Gewicht tragen kann, sicher befestigt werden.
- Das Hydromodul muss auf einer festen, ebenen Oberfläche montiert werden, die das Gewicht samt Füllung tragen kann und zu starke Geräusche oder Schwingungen verhindern kann.
- Stellen Sie keine Möbel oder elektrischen Geräte unter das Außengerät oder das Hydromodul.
- Die Abläufe aus den Sicherheitsvorrichtungen (Sicherheitsventile) des Hydromoduls müssen nach den örtlichen Vorschriften installiert werden.
- Verwenden Sie nur Zubehör und Ersatzteile, die von Mitsubishi Electric zugelassen sind.

Elektrik

- Alle elektrischen Arbeiten müssen von einem qualifizierten Installateur nach den örtlichen Bestimmungen und den Anweisungen in diesem Handbuch durchgeführt werden.
- Die Geräte müssen über eine eigene Spannungsversorgung verfügen und die korrekte Spannung und korrekte Leistungsschutzschalter sind zu verwenden.
- Die Verdrahtung muss den nationalen Verdrahtungsvorschriften entsprechen. Anschlüsse sind sicher und ohne Spannung an den Klemmen herzustellen.
- Das Gerät ist korrekt zu erden.

Allgemeines

- Halten Sie Kinder und Haustiere sowohl vom Hydromodul als auch vom Außengerät fern.
- Verwenden Sie das von der Wärmepumpe erzeugte Heizungswasser nicht direkt zum Trinken und Kochen. Dies könnte eine Erkrankung des Benutzers hervorrufen.
- Steigen Sie nicht auf die Geräte.
- Berühren Sie Schalter nicht mit nassen Händen.
- Jährliche Wartungskontrollen sowohl am Hydromodul als auch am Außengerät müssen von einer qualifizierten Person durchgeführt werden.
- Stellen Sie keinen Behälter mit Flüssigkeiten auf das Hydromodul. Wenn dort Flüssigkeit ausläuft oder auf das Hydromodul verschüttet wird, kann es zur Beschädigung des Moduls und/oder zu einem Brand kommen.
- Stellen Sie keine schweren Gegenstände auf das Hydromodul.
- Wenn Sie das Hydromodul installieren, versetzen oder warten, verwenden Sie nur das vorgeschriebene Kältemittel der Wärmepumpe zum Füllen der Kältemittelleitungen. Mischen Sie es nicht mit einem anderen Kältemittel und achten Sie darauf, dass keine Luft in den Leitungen bleibt. Wenn Luft mit dem Kältemittel vermischt wird, kann sie einen zu hohen Druck in der Kältemittelleitung verursachen und zur Explosion und sonstigen Gefährdungen führen.
- Die Verwendung eines anderen als des für das System vorgeschriebenen Kältemittels führt zum mechanischen Versagen, zur Systemstörung oder zum Ausfall des Gerätes. Im schlimmsten Fall könnte dies zu einer ernsten Beeinträchtigung der Sicherheit des Produktes führen.
- Um im Heizmodus zu vermeiden, dass die Heizflächen (z.B. Fußbodenheizung) durch zu heißes Wasser beschädigt werden, stellen Sie die Soll-Vorlauftemperatur auf mindestens 2°C unter der maximal zulässigen Temperatur aller Heizflächen ein. Für Heizkreis 2 stellen Sie die Soll-Vorlauftemperatur auf mindestens 5°C unter der maximal zulässigen Vorlauftemperatur aller Heizflächen im Heizkreis 2 ein.
- Installieren Sie das Gerät nicht an einem Ort, an dem brennbare Gase austreten, entstehen, strömen oder sich ansammeln können. Bei einer Ansammlung von brennbarem Gas im Umfeld des Geräts droht Brand- oder Explosionsgefahr.
- Verwenden Sie keine anderen als vom Hersteller empfohlenen Mittel, um das Abtauen zu beschleunigen oder das Gerät zu reinigen.
- Das Gerät sollte in einem Raum ohne dauerhaft betriebene Zündquellen (zum Beispiel: offene Flammen, ein eingeschaltetes Gasgerät oder eine eingeschaltete Elektroheizung) aufbewahrt werden.
- Nicht einstechen oder anzünden.
- Beachten Sie, dass Kältemittel möglicherweise geruchlos sind.
- Die Leitungen müssen vor physischen Schäden geschützt werden.
- Die Installation der Leitungen sollte auf ein Minimum beschränkt werden.
- Nationale Gasverordnungen müssen beachtet werden.
- Halten Sie alle erforderlichen Lüftungsöffnungen stets frei.
- Verwenden Sie keine Niedertemperatur-Lötlegierung, wenn Sie die Kältemittelleitungen löten.

de

1 Sicherheitshinweise

⚠ VORSICHT

Verwenden für den Primärkreis aufbereitetes Wasser, das den örtlichen Qualitätsstandards entspricht.

Das Außengerät sollte in einem Bereich mit einem ausreichenden Luftstrom gemäß den Diagrammen im Installationshandbuch für das Außengerät installiert werden.

Das Hydromodul sollte im Innenraum angeordnet werden, um den Wärmeverlust zu minimieren.

Rohrleitungen am Primärkreis zwischen Außen- und Innengerät sollten möglichst kurz sein, um Wärmeverluste zu verringern.

Sorgen Sie dafür, dass Kondensat aus dem Außengerät vom Sockel fortgeleitet wird und Wasserpfützen vermieden werden.

Entlüften Sie Primär- und TWW-Kreis.

Ein Austritt von Kältemittel kann Erstickten verursachen. Sorgen Sie für eine Belüftung nach EN 378-1.

Isolieren Sie alle Rohrleitungen nach geltenden Vorschriften. Ein direkter Kontakt mit der blanken Rohrleitung kann zu Verbrennungen oder Erfrierungen führen.

Batterien und Kleinteile dürfen nicht in den Mund gesteckt werden, es besteht Verschluckungsgefahr.

Das Verschlucken einer Batterie kann Erstickten und/oder eine Vergiftung hervorrufen.

Falls das Hydromodul für längere Zeit nicht benutzt (oder das System abgeschaltet) werden soll, wird eine Entleerung des Systems empfohlen.

Gegen Druckstöße im Heizungsnetz sollten vorbeugende Maßnahmen ergriffen werden, zum Beispiel durch den Einbau eines Wasserschlagdämpfers im Primärwasserkreis nach Anweisung des Herstellers.

Um Kondensation auf dem Wärmeverteilsystem zu verhindern, regeln Sie die Vorlauftemperatur entsprechend ein und stellen Sie die Untergrenze der Vorlauftemperatur vor Ort ein.

Zum Umgang mit dem Kältemittel siehe Installationshandbuch für das Außengerät.

2 Einführung

de

Der Zweck dieses Installationshandbuchs ist es, fachkundige Personen darin zu unterweisen, wie sie das Hydromodul sicher und effizient installiert und in Betrieb genommen wird. Die mit diesem Handbuch angesprochenen Leser sind fachkundige Installateure und/oder Ingenieure für die Heiz-/Kältetechnik, die das

erforderliche Produkttraining bei Mitsubishi Electric absolviert und bestanden haben und über einschlägige Qualifikationen für die Installation eines Warmwasser-Hydromoduls in ihrem jeweiligen Land verfügen.

3 Technische Informationen

Produktspezifikation

Gerätebezeichnung	EHSD-MED	EHSD-VM2D	EHSD-VM6D	EHSD-YM9D	EHSD-TM9D	ERSD-MED	ERSD-VM2D	ERSD-VM6D	ERSD-VM9D	EHSC-MED	EHSC-VM2D	EHSC-VM6D	EHSC-VM9D	EHSC-TM9D	ERSC-MED	ERSC-VM2D	ERSC-VM9D	ERSE-MED	ERSE-VM9D
Gesamtabmessungen des Gerätes (Höhe x Breite x Tiefe)																			
Gewicht (leer)	36 kg	43 kg	44 kg	44 kg	40 kg	38 kg	44 kg	44 kg	44 kg	44 kg	40 kg	47 kg	48 kg	48 kg	41 kg	48 kg	48 kg	64 kg	62 kg
Gewicht (voll)	38 kg	48 kg	49 kg	49 kg	45 kg	39 kg	50 kg	52 kg	52 kg	54 kg	53 kg	54 kg	54 kg	54 kg	44 kg	54 kg	54 kg	74 kg	72 kg
Wasservolumen des Heizkreises im Gerät *1	1,7 kg	5,2 kg	5,2 kg	5,2 kg	5,2 kg	1,7 kg	5,2 kg	5,2 kg	5,2 kg	6,1 kg	6,1 kg	6,1 kg	6,1 kg	6,1 kg	2,6 kg	6,1 kg	6,1 kg	10,0 kg	10,0 kg
Ausdehnungsgefäß (Heizkreis)	—	10 L	1 bar	—	10 L	—	10 L	—	10 L	10 L	—	10 L	—	10 L	—	10 L	—	—	—
Temperaturfühler	1 - 80°C																		
Wasserkreis (primär)	0,3 MPa (3 bar)																		
Sicherheitsrichtung	Mindestvolumenstrom 5,0 L/min (Siehe Tabelle 4.3.1 zum Bereich der Wasserfördermenge)																		
Elektroheizstab	—	90°C	121°C	—	90°C	—	90°C	—	90°C	—	90°C	—	90°C	—	—	—	—	90°C	—
	—	121°C	—	—	121°C	—	121°C	—	121°C	—	121°C	—	121°C	—	—	—	—	121°C	—
Anschlüsse	G1-A																		
Kältemittel (R32/ R410A)	6,35 mm																		
Gas	12,7 mm																		
Heizen	20 - 60°C																		
Kühlen	—																		
Heizen	5 - 25°C																		
Kühlen	10 - 30°C																		
Solltemperaturbereich	—																		
Garantierter Betriebsbereich	0 - 35°C (≤ 80 %RH)																		
Heizen	—																		
Kühlen	—																		
Spannungsversorgung (Phase, Spannung, Frequenz)	Siehe Tabelle in Spezifikation des Außengerätes.																		
Absicherung (*bei eigener Spannungsversorgung)	*3																		
Steuerplatine (Einschließlich 4 Pumpen)	~N, 230 V, 50 Hz																		
Spannungsversorgung (Phase, Spannung, Frequenz)	—	~N, 230 V, 50 Hz	3~ 400 V, 50 Hz	3~ 230 V, 50 Hz	3~ 230 V, 50 Hz	—	~N, 230 V, 50 Hz	~N, 230 V, 50 Hz	~N, 230 V, 50 Hz	3~ 400 V, 50 Hz	3~ 230 V, 50 Hz	~N, 230 V, 50 Hz	~N, 230 V, 50 Hz	3~ 230 V, 50 Hz	—	~N, 230 V, 50 Hz	3~ 400 V, 50 Hz	—	—
Leistung	—	2kW +4kW	3kW +6kW	3kW +6kW	3kW +6kW	—	2kW	2kW +4kW	2kW +4kW	3kW +6kW	3kW +6kW	2kW +4kW	2kW +6kW	3kW +6kW	—	2kW	3kW +6kW	—	—
Stromstärke	—	9 A	26 A	13 A	23 A	—	9 A	26 A	13 A	13 A	26 A	13 A	13 A	23 A	—	9 A	13 A	—	—
Absicherung	—	16 A	32 A	16 A	32 A	—	16 A	32 A	16 A	32 A	—	16 A	32 A	32 A	—	16 A	32 A	16 A	—
Schallleistungspegel	41 dB(A)																		
	40 dB(A)																		
	45 dB(A)																		

<Tabelle 3.1>

*1 Die Rohrleitungen zum Ausdehnungsgefäß sind in diesem Wert nicht enthalten.

*2 Die Umgebung muss frostfrei sein.

*3 Siehe Tabelle in Spezifikation des Außengerätes. (min. 10°C)

Der Kühlmodus ist bei niedriger Umgebungstemperatur nicht verfügbar.

Wenn Sie Ihr System im Kühlmodus bei niedriger Umgebungstemperatur (10°C oder weniger) verwenden, besteht das Risiko der Beschädigung des Plattenwärmetauschers durch gefrorenes Wasser.

Gerätebezeichnung	EHSE-VM9ED	EHSE-MED	EHPX-MED	EHPX-VM2D	EHPX-VM6D	EHPX-VM9D	EHPX-VM9ED	
Gesamtabmessungen des Gerätes (Höhe x Breite x Tiefe)	950 x 600 x 360 mm							800 x 530 x 360 mm
Gewicht (leer)	63 kg	61 kg	28 kg	35 kg	37 kg	37 kg	32 kg	
Gewicht (voll)	73 kg	71 kg	29 kg	40 kg	41 kg	41 kg	37 kg	
Wasservolumen des Heizkreises im Gerät *1	10,0 kg	10,0 kg	1,0 kg	4,5 kg	4,5 kg	4,5 kg	4,5 kg	
Ausdehnungsgefäß (Heizkreis)	—							10 L
Vordruck	—							1 bar
Wasserkreis (primär)	Temperaturfühler							1 - 80°C
Sicherheitsrichtung	Überdruckventil							0,3 MPa (3 bar)
	Durchflusssensor							Mindestvolumenstrom 5,0 L/min (Siehe Tabelle 4.3.1 zum Bereich der Wasserfördermenge)
Elektroheizstab	Sicherheitsbegrenzer							90°C
	Thermische Absicherung (gegen Überhitzung des Elektroheizstabes)							121°C
	Wasser (Primärkreis)							G1-1/2-B
Anschlüsse	Kältemittel (R32/ R410A)	Flüssigkeit	—					—
		Gas	—					—
	Vorlauf-temperatur	Heizen	—					—
	Kühltemperatur	Kühlen	—					—
Solltemperaturbereich	Raumtemperatur	Heizen	—					—
	Kühltemperatur	Kühlen	—					—
Garantierter Betriebsbereich	Außentemperatur *2	—						
	Außentemperatur	—						
	Heizen	—						
	Kühlen	—						
	Spannungsversorgung (Phase, Spannung, Frequenz)	—						
	Absicherung (4 Pumpen)	—						
Elektrische Daten	Spannungsversorgung (Phase, Spannung, Frequenz)	—					—	
	Leistung	—					—	
	Stromstärke	—					—	
	Absicherung	—					—	
Schalleistungspegel	45 dB(A)							
	40 dB(A)							

<Tabelle 3.2>

*1 Die Rohrleitungen zum Ausdehnungsgefäß sind in diesem Wert nicht enthalten.

*2 Die Umgebung muss frostfrei sein.

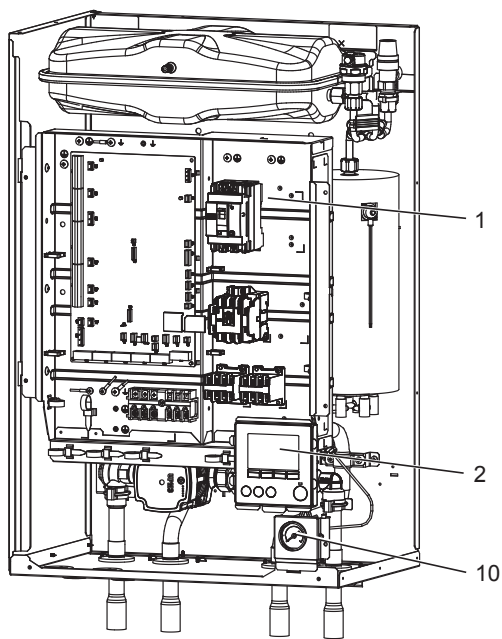
*3 Siehe Tabelle in Spezifikation des Außengerätes. (min. 10°C)

Der Kühlmodus ist bei niedriger Umgebungstemperatur nicht verfügbar. Wenn Sie Ihr System im Kühlmodus bei niedriger Umgebungstemperatur (10°C oder weniger) verwenden, besteht das Risiko der Beschädigung des Plattenwärmetauschers durch gefrorenes Wasser.

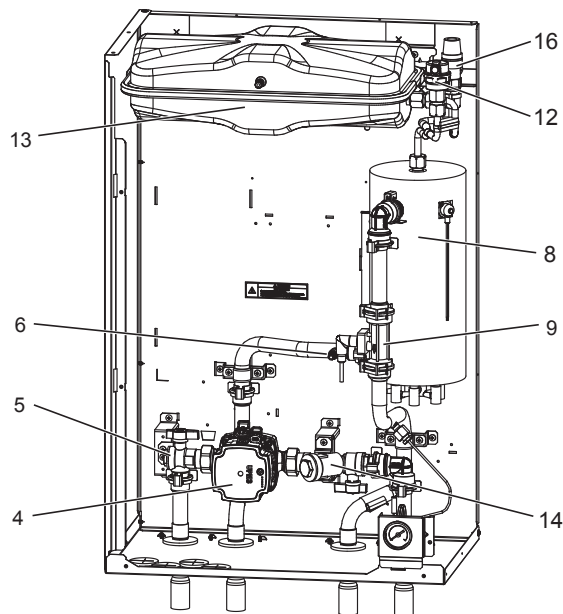
3 Technische Informationen

Bestandteile

<EHPX-*M*D> (Monoblock-System)

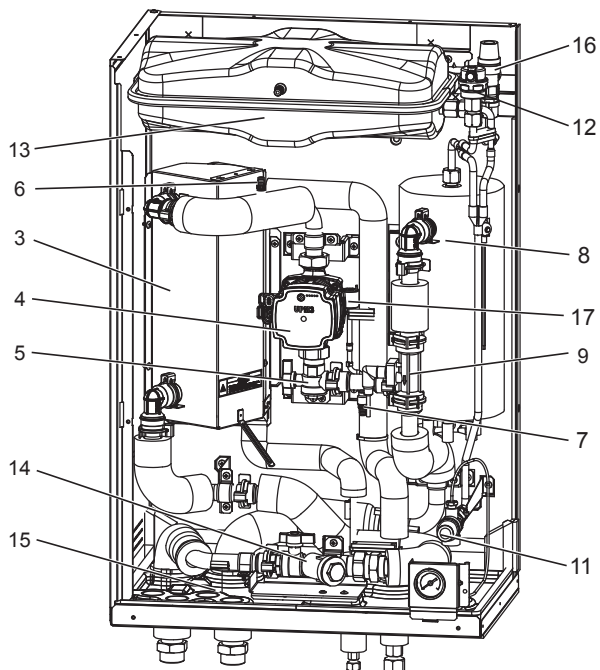


<Abbildung 3.1>



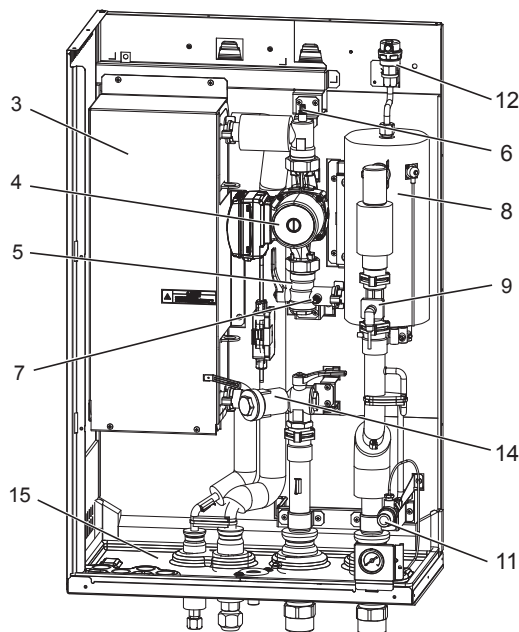
<Abbildung 3.2>

<E*S*-*M**D> (Split-System)



<Abbildung 3.3>

<E*SE-*M*ED>



<Abbildung 3.4>

No.	Teilbezeichnung	EHPX-*M*(E)D	EHS*-MED	EHS*-*M*D	EHS*-YM9ED	ERS*-*M*(E)D	ERS*-MED
1	Schaltkasten	✓	✓	✓	✓	✓	✓
2	Hauptregler	✓	✓	✓	✓	✓	✓
3	Plattenwärmetauscher (Kältemittel - Wasser)	-	✓	✓	✓	✓	✓
4	Heizkreispumpe 1	✓	✓	✓	✓	✓	✓
5	Pumpenabsperventil	✓	✓	✓	✓	✓	✓
6	Entlüftung (manuell)	-	✓	✓	✓	✓	✓
7	Entleerungshahn (Primärkreis)	✓	✓	✓	✓	✓	✓
8	Elektroheizstab 1, 2	✓	-	✓	✓	✓	-
9	Strömungswächter	✓	✓	✓	✓	✓	✓
10	Manometer	✓	✓	✓	✓	✓	✓
11	Überdruckventil (3 bar)	-	✓	✓	✓	✓	✓
12	Automatischer Entlüfter	✓	✓	✓	✓	✓	✓
13	Ausdehnungsgefäß	✓*1	-	✓	-	✓*2	-
14	Schmutzfänger	✓	✓	✓	✓	✓	✓
15	Ablaufwanne	-	-	-	-	✓	✓
16	Überdruckventil (5 bar)	✓*1	-	✓	-	✓*2	-
17	Drucksensor	-	✓*3	✓*3	✓*3	✓*3	✓*3

<Tabelle 3.3>

Hinweis:

Achten Sie bei der Installation aller E***-*M*ED-Modelle darauf, dass ein entsprechend dimensioniertes primärseitiges Ausdehnungsgefäß und ein zusätzliches ÜDV installiert werden, um zu verhindern, dass das Ausdehnungsgefäß im Feld bricht. (Siehe Abbildung 3.5 ~ 3.6 und 4.3.10 für weitere Informationen)

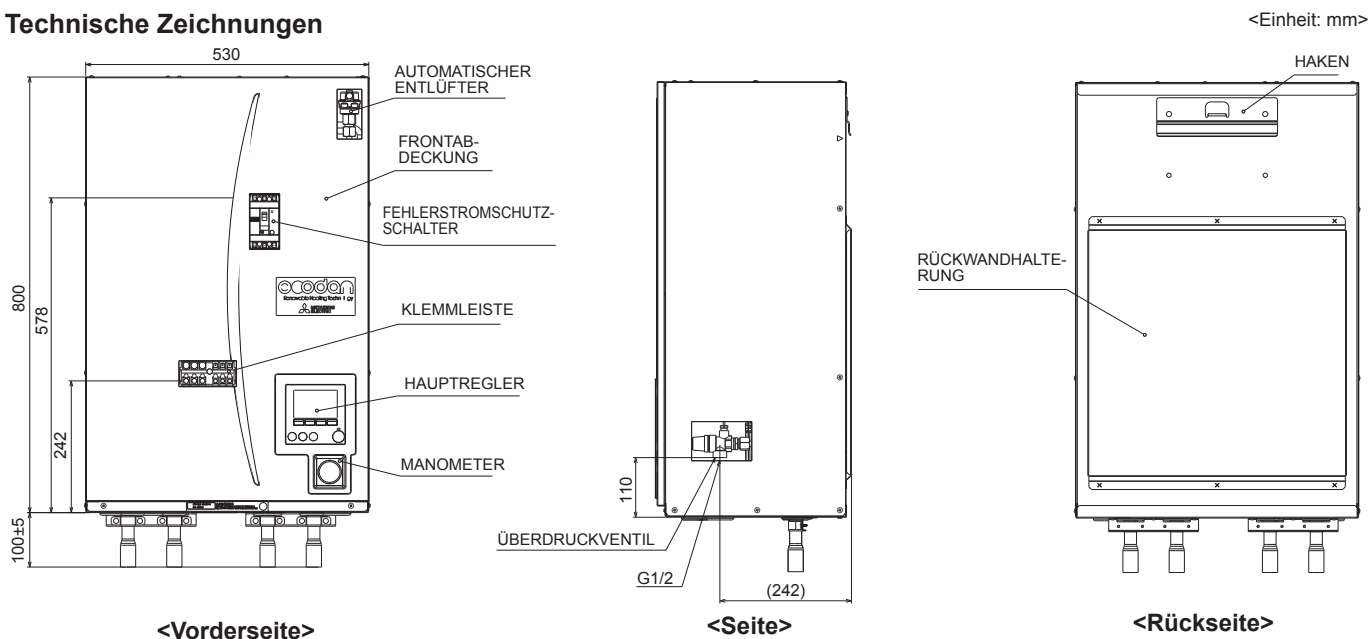
*1 EHPX-YM9ED und EHPX-MED sind nicht enthalten.

*2 ERSE-YM9ED ist nicht enthalten.

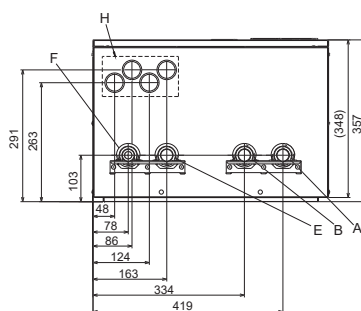
*3 Nur Modell 2HP (E*SD).

3 Technische Informationen

■ Technische Zeichnungen



<EHPX> (Monoblock-System)



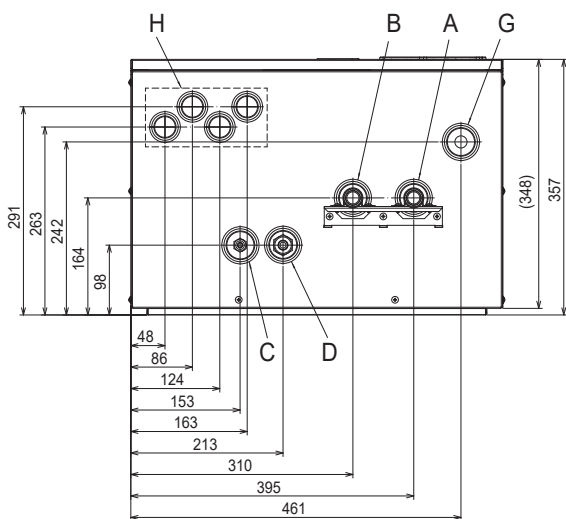
<Ansicht von unten>

Pos.	Anschluss	Durchmesser/Verbindungstyp
A	Heizungsrücklauf/Indirekt TWW-Speicher (primär)	28 mm/Klemmverbindung (EH**-* G1-Mutter (ERS*-*))
B	Heizungsvorlauf/Indirekt TWW-Speicher (primär)	28 mm/Klemmverbindung (EH**-* G1-Mutter (ERS*-*))
C	Kältemittel (Flüssigkeit)	6,35 mm/Bördel (E*SD-* 9,52 mm/Bördel (E*SC-*))
D	Kältemittel (Gas)	12,7 mm/Bördel (E*SD-* 15,88 mm/Bördel (E*SC-*))
E	Anschluss Wärmepumpenvorlauf	28 mm/Klemmverbindung (EHPX-*))
F	Anschluss Wärmepumpenrücklauf	28 mm/Klemmverbindung (EHPX-*))
G	Abflussleitung (durch Installateur) von Überdruckventil	G1/2" Innengewinde (Ventilsitz innerhalb des Hydromodul-Gehäuses)
H	Elektrokabeldurchführungen ① ② ③ ④	Kabeldurchführungen ① und ②, Hochspannungsverdrahtung einschließlich Stromkabel, Innen-/Außen-Kabel und externer Ausgangsdrähte. Kabeldurchführungen ③ und ④, Niederspannungsverdrahtung einschließlich externer Signal- und Temperaturfühlerkabel. Verwenden Sie für das Kabel des Funkempfängers (Option) die Kabeldurchführung ④.
I	Abflussanschluss	O.D. ø20

<Tabelle 3.4>

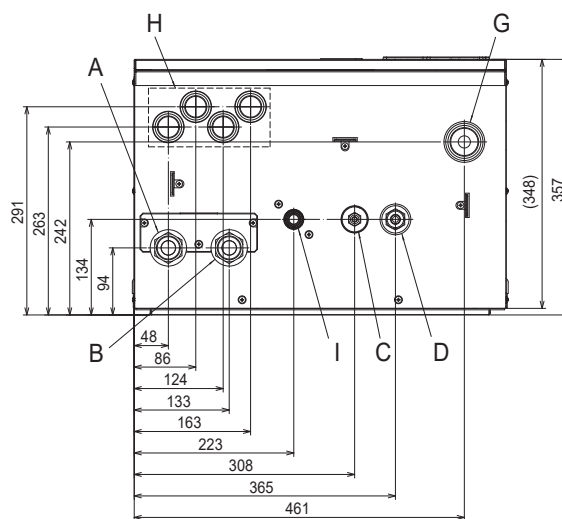
3 Technische Informationen

<EHS*> (Split-System)



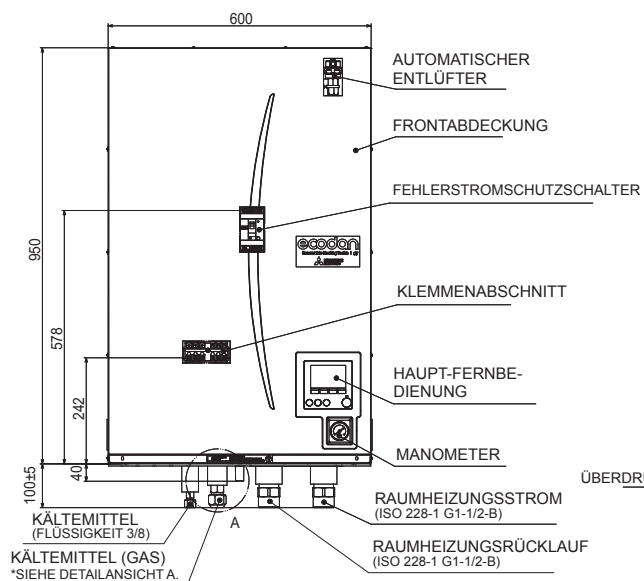
<Ansicht von unten>

<ERS*> (Split-System zum Heizen und Kühlen)

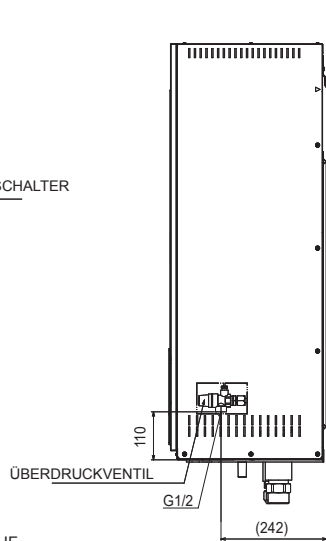


<Ansicht von unten>

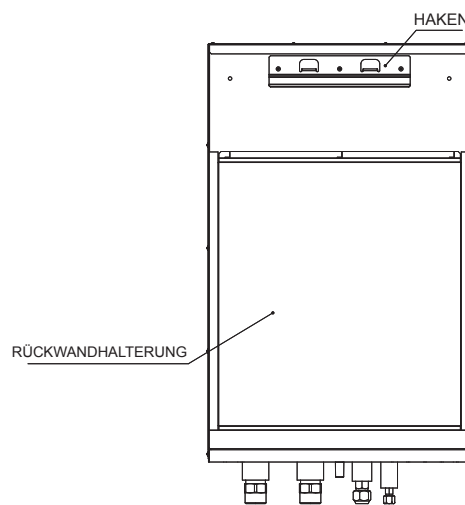
<E*SE> (Heiz-/Heiz- und Kühlsystem)



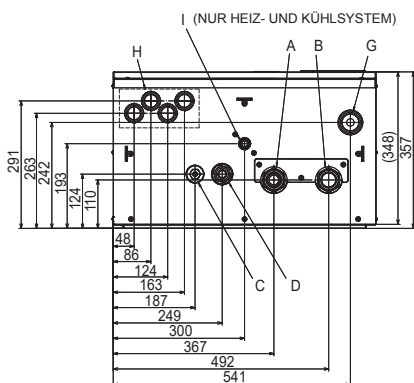
<Vorderseite>



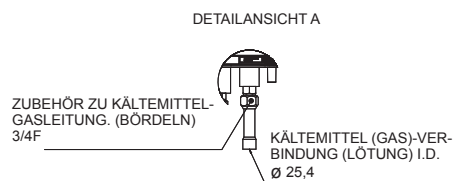
<Seite>



<Rückseite>

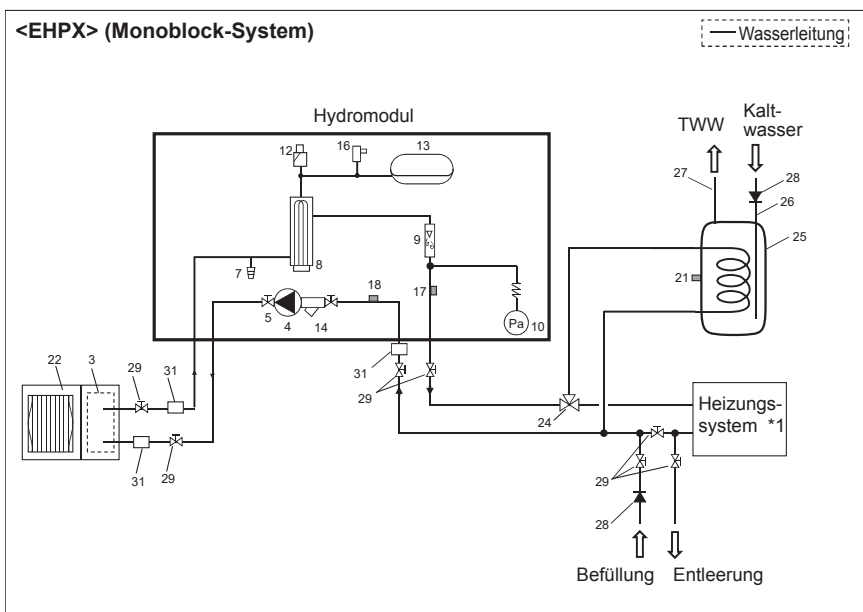


<Ansicht von unten>



de

Hydraulischer Aufbau



<Abbildung 3.5>

Hinweise

- Achten Sie bei der Installation der TWW-Anschlüsse auf die Einhaltung der bei Ihnen geltenden örtlichen Bestimmungen.
- TWW-Anschlüsse sind im Hydromodul-Paket nicht enthalten. Alle erforderlichen Teile sind bauseits zu beschaffen.
- Montieren Sie Absperrventile an der Befüllung und Entleerung des Hydromoduls, um die Befüllung zu gewährleisten.
- Montieren Sie einen Filter im Befüllanschluss des Hydromoduls.
- An alle Überdruckventile sollte gemäß den in Ihrem Land geltenden Vorschriften eine geeignete Entleerungsrohrleitung montiert werden.
- Montieren Sie am Kaltwasserzulauf einen Rückflussverhinderer nach IEC 61770.
- Wenn Komponenten oder Verbindungsleitungen aus verschiedenen Metallen angeschlossen werden, müssen die Verbindungsstücke isoliert werden, um jegliche Beschädigung durch Korrosion zu verhindern.

Nr.	Teilbezeichnung	EHPX-M*(E)D	EHS-MED	EHS-M*D	EHS-YM9ED	ERS-M*(E)D	ERS-MED
1	Schaltkasten	✓	✓	✓	✓	✓	✓
2	Hauptregler	✓	✓	✓	✓	✓	✓
3	Plattenwärmetauscher (Kältemittel - Wasser)	-	✓	✓	✓	✓	✓
4	Heizkreispumpe 1	✓	✓	✓	✓	✓	✓
5	Pumpenabsperrentil	✓	✓	✓	✓	✓	✓
6	Entlüftung (manuell)	-	✓	✓	✓	✓	✓
7	Entleerungshahn (Primärkreis)	✓	✓	✓	✓	✓	✓
8	Elektroheizstab 1, 2	✓	-	✓	✓	✓	-
9	Strömungssensor	✓	✓	✓	✓	✓	✓
10	Manometer	✓	✓	✓	✓	✓	✓
11	Überdruckventil (3 bar)	-	✓	✓	✓	✓	✓
12	Automatischer Entlüfter	✓	✓	✓	✓	✓	✓
13	Ausdehnungsgefäß	✓*2	-	✓	-	✓*3	-
14	Schmutzfänger	✓	✓	✓	✓	✓	✓
15	Ablaufwanne	-	-	-	-	✓	✓
16	Überdruckventil (5 bar)	✓*2	-	✓	-	✓*3	-
17	THW1	✓	✓	✓	✓	✓	✓
18	THW2	✓	✓	✓	✓	✓	✓
19	TH2	-	✓	✓	✓	✓	✓
20	Drucksensor	-	✓*4	✓*4	✓*4	✓*4	✓*4
21	THW5B (Optional PAC-TH011TK2-E oder PAC-TH011TKL2-E)	-	-	-	-	-	-
22	Außengerät	-	-	-	-	-	-
23	Entleerungsleitung (bauseits)	-	-	-	-	-	-
24	3-Wege-Ventil (bauseits)	-	-	-	-	-	-
25	Indirekter TWW-Speicher (bauseits)	-	-	-	-	-	-
26	Kaltwasser-Einlassrohr (bauseits)	-	-	-	-	-	-
27	TWW-Austrittsrohr (bauseits)	-	-	-	-	-	-
28	Rückflussverhinderer (bauseits)	-	-	-	-	-	-
29	Absperrventil (bauseits)	-	-	-	-	-	-
30	Magnetfilter (bauseits) (empfohlen)	-	-	-	-	-	-
31	Schmutzabscheider (bauseits)	-	-	-	-	-	-

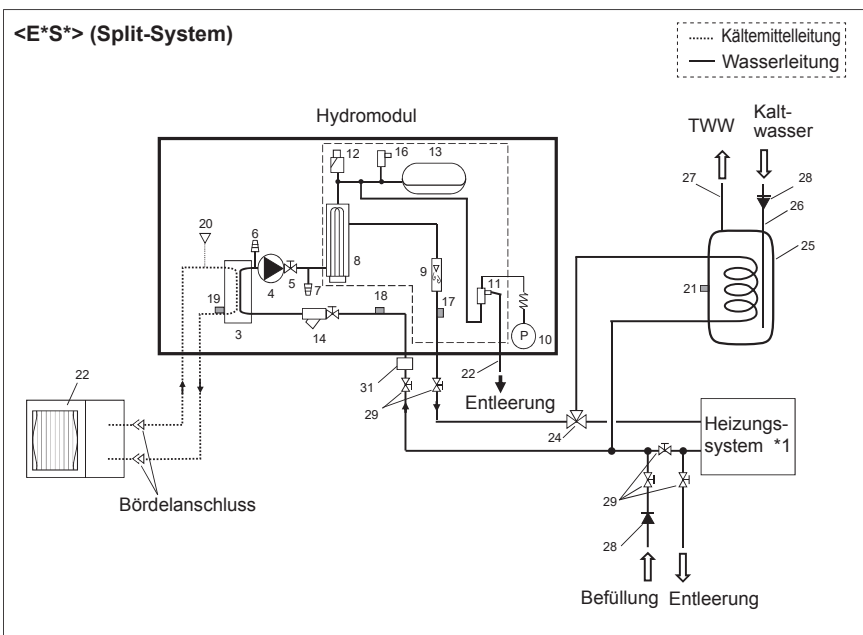
<Tabelle 3.5>

*1 Siehe folgenden Abschnitt [Heizungssystem].

*2 EHPX-YM9ED und EHPX-MED sind nicht enthalten.

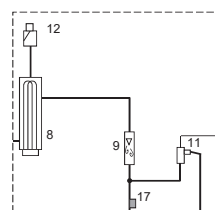
*3 ERSE-YM9ED ist nicht enthalten.

*4 Nur Modell 2HP (E*SD).



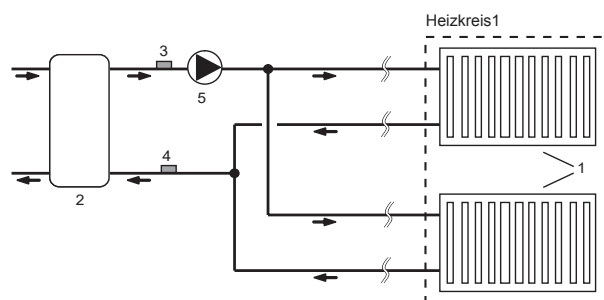
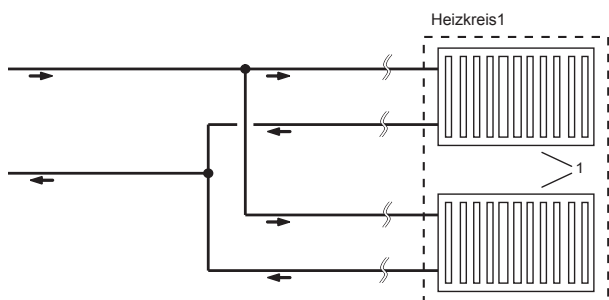
<Abbildung 3.6>

<nur E*SE>

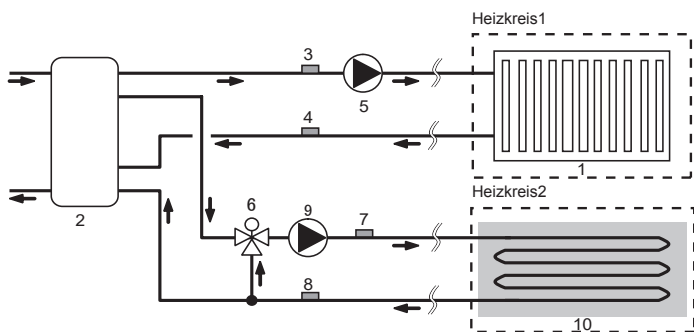


Heizungssystem

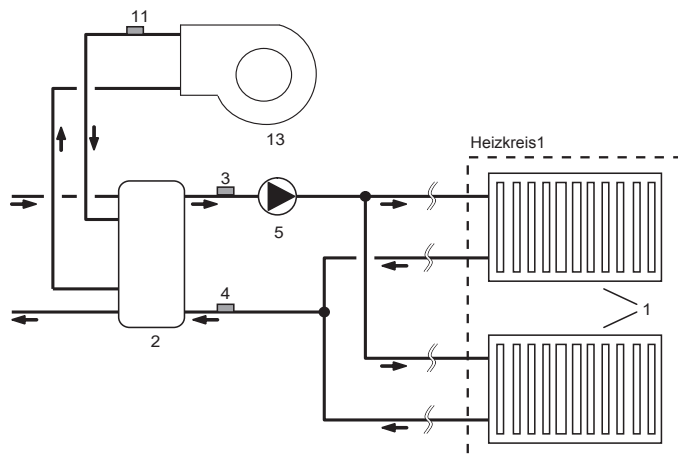
1 Heizkreis



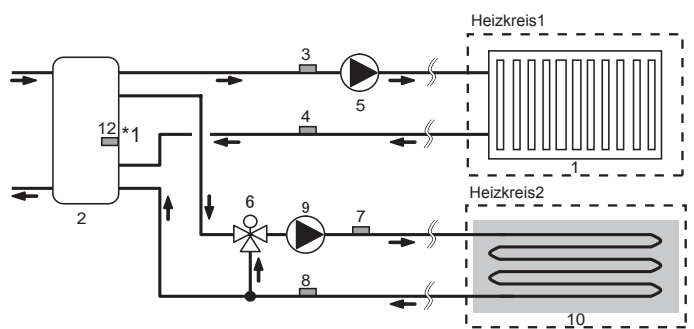
2 Heizkreise



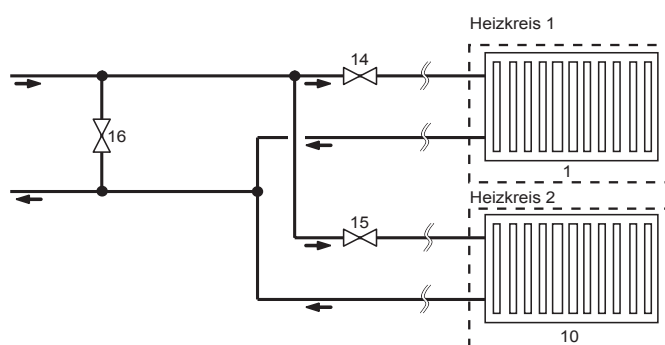
1 Heizkreis mit Kessel



2 Heizkreise & Pufferspeicherregelung



1 Heizkreise (2-Wege-Ventil, EIN/AUS-Regelung)



1. Heizflächen Heizkreis 1 (z.B. Heizkörper, Gebläsekonvektor) (bauseits)
2. Pufferspeicher (bauseits)
3. Temperaturfühler Vorlauf Heizkreis 1 (THW6) } Optionales Teil:
4. Temperaturfühler Rücklauf Heizkreis 1 (THW7) } PAC-TH011-E
5. Heizkreispumpe Heizkreis 1 (bauseits)
6. Motorbetriebenes Mischventil (bauseits)
7. Temperaturfühler Vorlauf Heizkreis 2 (THW8) } Optionales Teil:
8. Temperaturfühler Rücklauf Heizkreis 2 (THW9) } PAC-TH011-E
9. Heizkreispumpe Heizkreis 2 (bauseits)

10. Heizflächen Heizkreis 2 (z.B. Fußbodenheizung) (bauseits)
 11. Temperaturfühler Kesselvorlauf (THWB1) } Optionales Teil:
 12. Temperaturfühler Pufferspeicher (THW10) *1 } PAC-TH012HT(L)-E
 13. Kessel (bauseits)
 14. 2-Wege-Ventil Heizkreis 1 (bauseits)
 15. 2-Wege-Ventil Heizkreis 2 (bauseits)
 16. Bypassventil (bauseits)
- *1 Für „Smart Grid Ready“ gilt NUR Pufferspeicherregelung (Heizen/Kühlen).

4 Installation

<Vorbereitung vor Installation und Wartung>

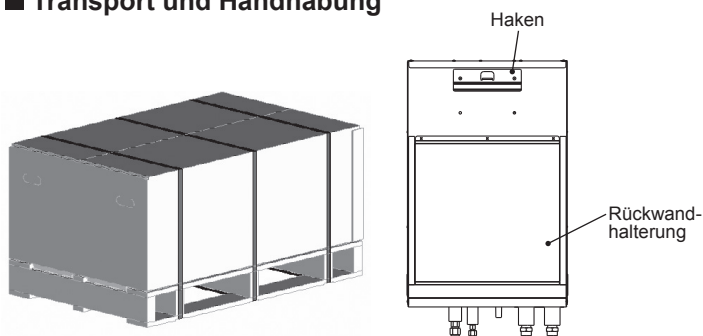
- Legen Sie geeignetes Werkzeug bereit.
- Führen Sie die notwendigen Schutzmaßnahmen durch.
- Lassen Sie die Teile abkühlen, bevor Sie Wartungsarbeiten durchführen.
- Sorgen Sie für ausreichende Belüftung.
- Schalten Sie die Spannungsversorgung ab und ziehen Sie den Netzstecker heraus, bevor Sie mit Arbeiten am Gerät beginnen.
- Entladen Sie den Kondensator, bevor Sie mit Arbeiten an den elektrischen Teilen beginnen.

<Vorkehrungen während der Wartung>

- Führen Sie Arbeiten an elektrischen Teilen nicht mit nassen Händen durch.
- Gießen Sie kein Wasser oder sonstige Flüssigkeiten über die elektrischen Teile.
- Vermeiden Sie Kontakt mit dem Kältemittel.
- Keine heißen oder kalten Oberflächen des Kältemittelkreislaufs berühren.
- Wenn die Reparatur oder Inspektion ohne Abschalten der Spannungsversorgung durchgeführt werden muss, achten Sie besonders darauf, keine unter Strom stehenden Teile zu berühren.

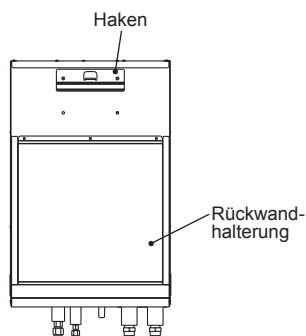
4.1 Aufstellungsort

■ Transport und Handhabung



<Abbildung 4.1.1>

Das Hydromodul wird auf einer Holzpalette mit Schutzkarton ausgeliefert.



<Abbildung 4.1.2>

Beim Transportieren des Hydromoduls muss darauf geachtet werden, dass das Gehäuse nicht beschädigt wird. Entfernen Sie die Schutzverpackung erst, wenn das Hydromodul an seinem endgültigen Aufstellungsort angekommen ist. Hierdurch werden die Konstruktion und das Bedienungsfeld geschützt.

Hinweise:

- Das Hydromodul sollte **IMMER** von mindestens 2 Personen bewegt werden.
- Halten Sie die Rohrleitungen **NICHT** fest, wenn Sie das Hydromodul bewegen oder anheben.

■ Geeigneter Aufstellungsort

Vor dem Installieren sollte das Hydromodul an einem frostfreien, wettergeschützten Ort gelagert werden. Die Einheiten dürfen **NICHT** gestapelt werden.

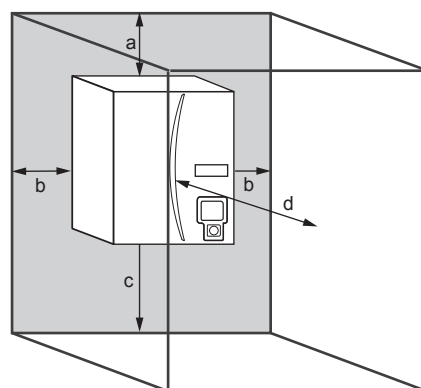
- Das Hydromodul muss in einem Gebäude an einem frostfreien, wettergeschützten Ort installiert werden.
- Installieren Sie das Hydromodul an einem Ort, an dem es keinem Wasser bzw. nicht zu starker Feuchtigkeit ausgesetzt ist.
- Das Hydromodul muss an einer ebenen Wand positioniert werden, die sein Gewicht einschließlich Füllung tragen kann.
- Zum Gewicht siehe „3. Technische Informationen“.
- Halten Sie die Mindestabstände für die Wartung ein <Abbildung 4.1.3>.
- Sichern Sie das Hydromodul gegen Kippen.
- Das Hydromodul muss mit dem Haken und den Wandhalterungen an der Wand befestigt werden. <Abbildung 4.1.2>

■ Mindestabstände für Wartungsarbeiten

Mindestabstände Hydromodul	
Position	Mindestabstand (mm)
a	200
b	150
c	500
d	500

<Tabelle 4.1.1>

Für das Verlegen der Abflussleitungen **MUSS** gemäß den nationalen und örtlichen Bauvorschriften ausreichend Platz gelassen werden.



<Abbildung 4.1.3>

Mindestabstände für Wartungsarbeiten

Das Hydromodul muss innerhalb eines Gebäudes und in einer frostfreien Umgebung aufgestellt werden, zum Beispiel in einem Wirtschaftsraum, um den Wärmeverlust des gespeicherten Wassers an die Umgebung zu minimieren.

■ Versetzen des Hydromoduls

Falls Sie das Hydromodul versetzen möchten, müssen Sie das Hydromodul zuvor **VOLLSTÄNDIG ENTLEREEN**, um Schäden am Gerät zu vermeiden.

Hinweis:

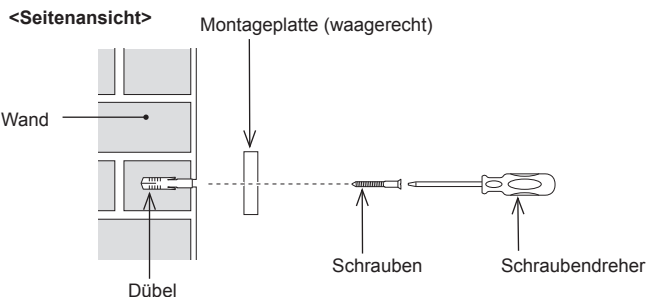
Halten Sie die Rohrleitungen NICHT fest, wenn Sie das Hydromodul bewegen oder anheben.

4 Installation

Montage

1. Installieren Sie die als Zubehör mitgelieferte Montageplatte.

* Benutzen Sie beim Installieren der Montageplatte bauseitige Schrauben und dazu passende Dübel.



<Abbildung 4.1.4>

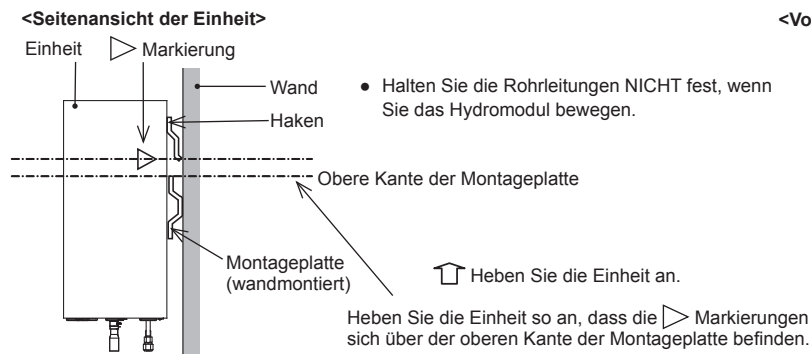
- Befestigen Sie die Rückwand richtig mit ihrem horizontalen Kerbenprofil, das sich OBEN befindet.

2. Hängen Sie den Haken an der Rückseite des Hydromoduls hinter der Vertiefung der Montageplatte ein.

* Das Heben des Hydromoduls fällt leichter, wenn man die Einheit mit Hilfe der mitgelieferten Verpackungspolsterung zuerst nach vorn kippt.

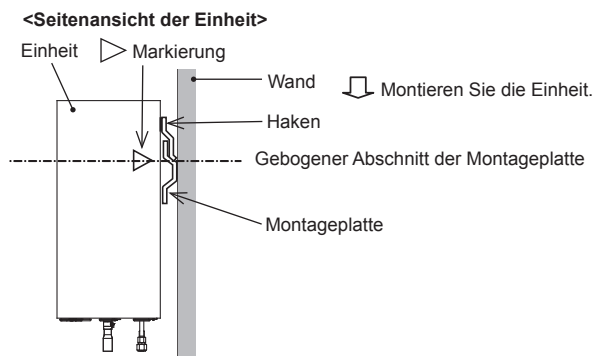
i) Die rechte und die linke Wand sind mit einer \triangleright Markierung versehen.

Heben Sie die Einheit so, dass die \triangleright Markierungen sich über der oberen Kante der Montageplatte befinden, wie unten gezeigt.

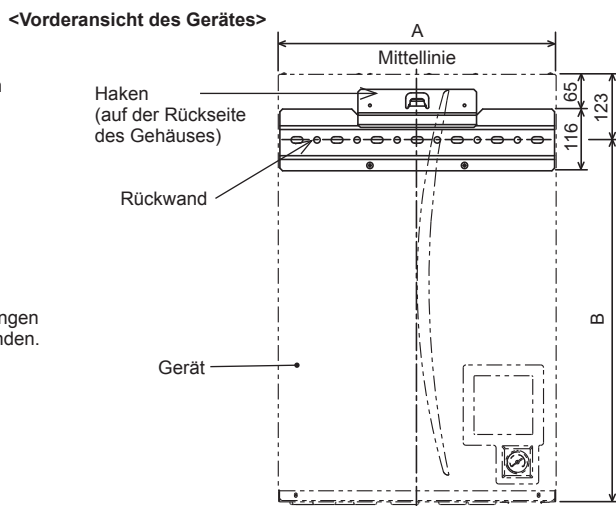


<Abbildung 4.1.5>

ii) Überprüfen und sorgen Sie dafür, dass die Markierung \triangleright sich in Höhe des gebogenen Abschnitts an der Montageplatte, wie gezeigt, befindet und ordnungsgemäß eingreift.



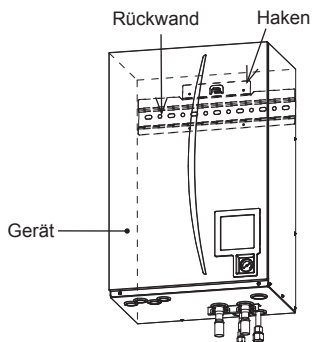
<Abbildung 4.1.6>



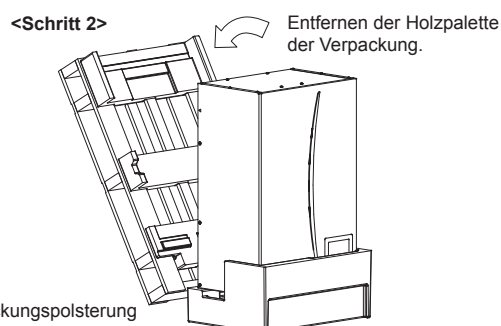
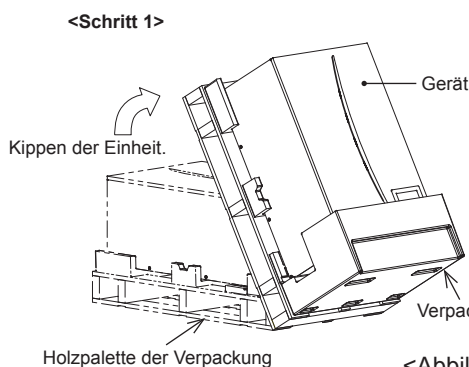
<Abbildung 4.1.7>

- Abbildung 4.1.7 zeigt die relativen Positionen zwischen dem Gerät und der wandbefestigten Rückplatte. Installieren Sie die Rückwand unter Berücksichtigung der <Abbildung 4.1.3> Mindestabstände für Wartungsarbeiten.

Abmessungen (mm)	A	B
Hydromodul		
E*SC	530	677
E*SD		
EHPX		
E*SE	600	827



<Abbildung 4.1.8>

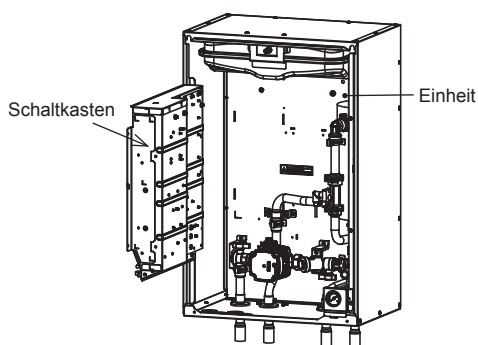


<Abbildung 4.1.9>

de

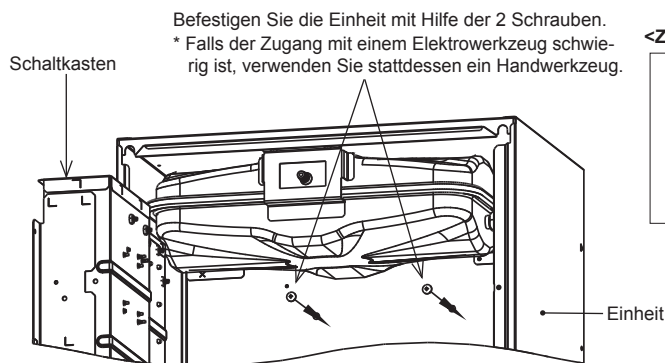
4 Installation

3. Befestigen Sie das Gerät unter Bezugnahme auf „Zugang zu internen Komponenten und zum Schaltkasten“ mit den mitgelieferten 2 Schrauben (Zubehör) an der Rückwand.



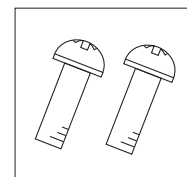
<Abbildung 4.1.10>

Befestigen Sie das Gerät mit den 2 Schrauben.

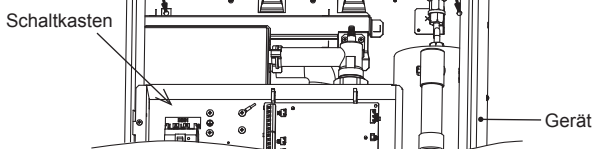


<Abbildung 4.1.11>

<Zubehör>



Schraube M5x8



<Abbildung 4.1.12>

Vorsicht: Achten Sie, BEVOR Sie die Anlagenverrohrung durchführen, darauf, dass diese zwei Schrauben montiert und fest angezogen sind. Andernfalls könnte der Haken sich lösen und die Einheit herabfallen.

4.2 Wasserqualität und Systemvorbereitung

■ Allgemeines

- Das Wasser sowohl im Primärkreis als auch im Trinkwasserkreis muss sauber sein und einen pH-Wert von 6,5 - 8,0 haben
- Es gelten folgende Höchstwerte:
Calcium: 100 mg/L, Ca-Härte: 250 mg/L
Chlor: 100 mg/L, Kupfer: 0,3 mg/L
- Sonstige Bestandteile sollten den Vorgaben der Europäischen Richtlinie 98/83 EG entsprechen.
- Um in Gebieten mit bekannt hartem Wasser Verkalkung zu minimieren, ist es vorteilhaft, die normale Speichertemperatur im TWW-Speicher auf 55°C zu begrenzen.

■ Frostschutz

Frostschutzmittel sollten Propylenglykol mit einer Toxizität der Klasse 1 gemäß Clinical Toxicology of Commercial Products, Ausgabe 5, enthalten.

Hinweise:

- Ethylenglykol ist giftig und sollte im Primärkreis im Fall einer etwaigen Kreuzkontamination des Trinkwasserkreises NICHT verwendet werden.
- Bei EIN/AUS-Regelung mit 2-Wege-Ventilen sollte Propylenglykol verwendet werden.

■ Neuinstallation (Primärkreis)

- Reinigen Sie vor dem Anschließen des Außengerätes die Rohrleitungen gründlich von Bauschutt, Lötresten usw. mit Hilfe eines geeigneten chemischen Reinigungsmittels.
- Spülen Sie das System, um das chemische Reinigungsmittel zu entfernen.
- Bei allen Monoblock-Systemen fügen Sie ein kombiniertes Inhibitor- und Frostschutzmittel hinzu, um Schäden an den Rohrleitungen und Systemkomponenten zu verhindern.
- Bei Split-Systemen muss der verantwortliche Installateur abhängig von den Bedingungen am jeweiligen Standort entscheiden, ob ein Frostschutzmittel nötig ist. Ein Korrosionsinhibitor sollte verwendet werden.

■ Bestehende Installation (Primärkreis)

- Vor dem Anschließen des Außengerätes MUSS der vorhandene Heizkreis auf chemischem Wege von Schmutzresten aus dem Heizkreis gereinigt werden.
- Spülen Sie das System, um das chemische Reinigungsmittel zu entfernen.
- Bei allen Monoblock-Systemen fügen Sie ein kombiniertes Inhibitor- und Frostschutzmittel hinzu, um Schäden an den Rohrleitungen und Systemkomponenten zu verhindern.
- Bei Split-Systemen muss der verantwortliche Installateur abhängig von den Bedingungen am jeweiligen Standort entscheiden, ob ein Frostschutzmittel nötig ist. Ein Korrosionsinhibitor sollte verwendet werden.

■ Im Raumheizkreis/Raumkühlkreis erforderliche Mindestwassermenge

Wärmepumpenaußengerät	Durchschnittliches / Wärmere Klima**		Kälteres Klima**	
	Im Innengerät enthaltene Wassermenge [L]	*Zusätzlich erforderliche Wassermenge [L]	Im Innengerät enthaltene Wassermenge [L]	*Zusätzlich erforderliche Wassermenge [L]
Monoblock	5	PUZ-WM50	2	24
		PUZ-WM60	4	29
		PUZ-WM85	7	32
		PUZ-WM112	11	43
		PUZ-HWM140	15	55
Split	5	SUZ-SWM40	1	12
		SUZ-SWM60	2	21
		SUZ-SWM80	4	29
		PUHZ-FRP71	6	27
		PUHZ-SW75	6	27
		PUHZ-SW100	9	38
		PUHZ-SW120	12	47
		PUHZ-SW160	18	64
		PUHZ-SW200	24	81
		PUHZ-SHW80	6	29
		PUHZ-SHW112	11	43
		PUHZ-SHW140	15	55
		PUHZ-SHW230	28	94
		PUMY-P112	22	75
PUMY-P125	22	75		
PUMY-P140	22	75		

<Tabelle 4.2.1>

* Wenn es einen Bypasskreis gibt, bedeutet die obige Tabelle eine minimale Wassermenge im Falle eines Bypasses.

** Siehe 2009/125/EC: Energieverbrauchsrelevante-Produkte-Gesetz (EU) Nr 813/2013 zur Bestätigung Ihrer Klimazone.

Fall 1. Keine Trennung zwischen Primär- und Sekundärkreis

- Bitte stellen Sie die erforderliche Wassermenge gemäß Tabelle 4.2.1 durch die Wasserleitung und Heizkörper oder Fußbodenheizung sicher.

Fall 2. Getrennter Primär- und Sekundärkreis

- Wenn der Verriegelungsbetrieb der Primär- und Sekundärpumpe nicht möglich ist, stellen Sie bitte sicher, dass das erforderliche zusätzliche Wasser nur im Primärkreislauf gemäß Tabelle 4.2.1 vorhanden ist.
- Wenn der Verriegelungsbetrieb der Primär- und Sekundärpumpe verfügbar ist, stellen Sie bitte sicher, dass die Gesamtwassermenge des Primär- und Sekundärkreises gemäß Tabelle 4.2.1 gewährleistet ist.

Bei Fehlen der erforderlichen Wassermenge installieren Sie bitte einen Pufferspeicher.

Beim Einsatz chemischer Reinigungsmittel und Inhibitoren befolgen Sie bitte immer die Anweisungen des Herstellers und sorgen Sie dafür, dass das Produkt für die im Primärkreis verwendeten Werkstoffe geeignet ist.

4 Installation

4.3 Wasserleitungen

Hinweis: Sorgen Sie dafür, dass die Anlagenrohre die Leitungen am Hydromodul nicht mechanisch beanspruchen, indem Sie sie an der Wand befestigen oder anderweitig verfahren.

■ Warmwasserleitungen

Die Funktion der folgenden Sicherheitskomponenten des Hydromoduls muss bei der Installation auf Auffälligkeiten kontrolliert werden:

- Überdruckventil (Primärkreis und TWW-Speicher)
- Vordruck des Ausdehnungsgefäßes (Betriebsdruck)

Die Anweisungen zum sicheren Ablauf von heißem Wasser aus den Sicherheitsvorrichtungen müssen sorgfältig befolgt werden.

- Da die Rohrleitungen sehr heiß werden, müssen sie isoliert werden, um Verbrennungen zu verhindern.
- Sorgen Sie beim Anschließen von Rohrleitungen dafür, dass keine Fremdkörper wie Schmutzreste o.ä. in die Rohrleitung gelangen.

■ Sicherheitsvorrichtungen

Das Hydromodul enthält ein Überdruckventil. (siehe <Abbildung 4.3.1>) Die Verbindungsgröße ist G1/2" Innengewindeanschluss. Der Installateur MUSS den nationalen Verdrahtungsvorschriften gemäß geeignete Ablaufleitungen an diesem Ventil verantwortungsbewusst anbringen.

Falls das nicht geschieht, wird das Überdruckventil direkt in das Hydromodul entleeren, und schwere Schäden am Produkt werden hervorgerufen.

Alle Ablaufleitungen müssen gegenüber austretendem, heißem Wasser beständig sein. Ablaufleitungen müssen durchgehend abwärts verlaufend installiert werden. Ablaufleitungen müssen zur Umgebung hin offen bleiben.

Hinweis: Achten Sie darauf, dass das Manometer und das Überdruckventil an ihrer Kapillarseite bzw. Eintrittsseite NICHT mechanisch beansprucht werden.

Falls ein Überdruckventil nachgerüstet wird, ist es (aus Sicherheitsgründen) von wesentlicher Bedeutung, dass kein Rückschlagventil oder Absperrventil zwischen den Anschluss des Hydromoduls und das nachgerüstete Überdruckventil eingebaut wird.

■ Hydraulikfilter (NUR für Baureihe EHPX)

Installieren Sie einen hydraulischen Filter oder Schmutzfänger (bauseits) am Wassereintritt („Leitung E“ in Tabelle 3.4, siehe auch Schema in Abb. 3.5)

■ Rohrleitungsanschlüsse

Anschlüsse an das Hydromodul müssen ggf. mit Hilfe der 28 mm-Klemmverbindung (Baureihe EHSC/D) oder der G1-Mutter (Baureihe ERSC/D) der G1-1/2-Mutter (Baureihe E*SE) hergestellt werden. (Das Hydromodul hat Verschraubungen G1 oder G1-1/2 (mit Außengewinde).)

Ziehen Sie Klemmverbindungen nicht zu stark an, da dies zur Verformung der Quetschhülse und eventuell zu Undichtigkeit führen kann.

Hinweis: Schützen Sie vor dem Lötten der Rohrleitungen vor Ort die Leitungen auf dem Hydromodul, indem Sie nasse Handtücher etc. als „Hitzeschild“ verwenden.

Verwenden Sie zwei Schraubenschlüssel, um die Rohrleitungsverbindung anzuziehen (siehe <Abbildung 4.3.2>).

■ Entleerungsleitung (NUR Baureihe ER)

Die Entleerungsleitung muss installiert werden, damit im Kühlmodus Kondenswasser abgelassen werden kann.

- Installieren Sie die Entleerungsleitung sicher, um eine Leckage aus dem Anschluss zu verhindern.
- Isolieren Sie die Entleerungsleitung sicher, um zu verhindern, dass Wasser aus der bauseitigen Entleerungsleitung tropft.
- Installieren Sie die Entleerungsleitung mit einem Gefälle von 1/100 oder mehr.
- Verlegen Sie die Entleerungsleitung nicht in einen Ablasskanal, in dem Schwefelgase vorhanden sind.
- Kontrollieren Sie nach der Installation, ob die Entleerungsleitung Wasser ordnungsgemäß aus dem Austritt des Rohrs ableitet.

<Installation>

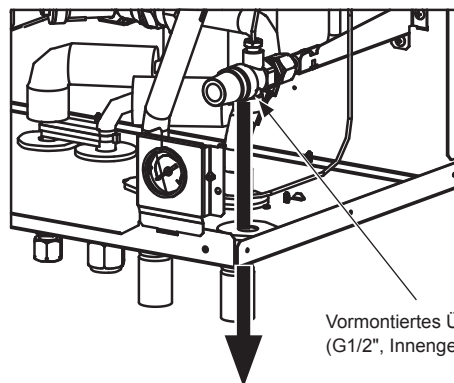
1. Versehen Sie die schraffierten Flächen in der Entleerungsleitung und außen auf dem Ablaufstutzen mit Klebeband aus Polyvinylchlorid, wie gezeigt.
2. Stecken Sie den Ablaufstutzen tief in die Entleerungsleitung <Abbildung 4.3.3>.

Hinweis: Sichern Sie die bauseitige Entleerungsleitung mit Hilfe einer Rohrstütze, damit die Entleerungsleitung nicht vom Ablaufstutzen abfällt.

Bitte schließen Sie eine geeignete Entleerungsleitung vom Hydromodul ausgehend an, um zu verhindern, dass Schmutzwasser direkt auf den Fußboden neben dem Hydromodul gelangt.

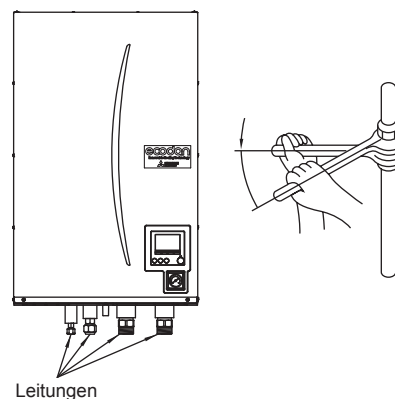
■ Isolierung der Rohrleitungen

- Alle freiliegenden Rohrleitungen müssen isoliert werden, um unnötige Wärmeverluste und Kondensation zu verhindern. Damit kein Kondensat in das Hydromodul gelangt, müssen die Rohrleitungen und Anschlüsse an der Oberseite des Hydromoduls ebenfalls sorgfältig isoliert werden.
- Kalt- und Warmwasserrohrleitungen müssen möglichst in einigem Abstand zueinander geführt werden, um eine unerwünschte Wärmeübertragung zu vermeiden.
- Rohrleitungen zwischen dem Außengerät im Freien und dem Hydromodul müssen mit geeignetem Rohrisoliermaterial mit einer Wärmeleitfähigkeit $\leq 0,04$ W/m.K. isoliert werden.

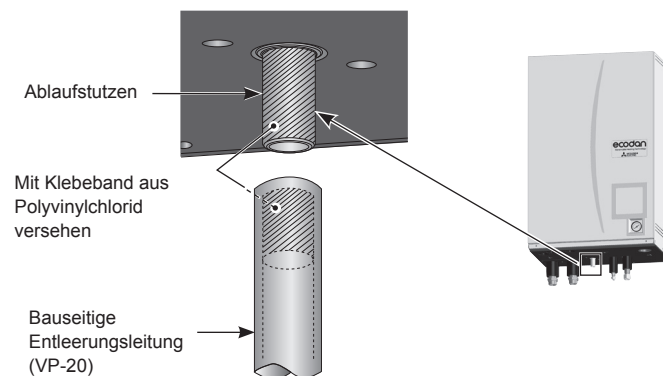


Zum Entleeren ablassen
(Das Rohr MUSS vom Installateur verantwortungsbewusst verlegt werden).

<Abbildung 4.3.1>



<Abbildung 4.3.2>



<Abbildung 4.3.3>

■ Kennfeld der Wasserpumpen

Die Pumpendrehzahl kann durch Einstellung am Hauptregler ausgewählt werden (siehe <Abbildungen 4.3.4 - 4.3.9>).

Stellen Sie die Pumpendrehzahl so ein, dass die Fließgeschwindigkeit im Primärkreis für das installierte Außengerät geeignet ist (siehe Tabelle 4.3.1). Je nach Länge und Förderhöhe des Primärkreises muss eventuell eine zusätzliche Pumpe in das System eingebaut werden. Bei einem Außengerät, das nicht in <Tabelle 4.3.1> aufgeführt ist, verwenden Sie den Bereich der Wassermenge, der in der Spezifikationstabelle im Databook des Außengerätes genannt ist.

<Zweite Pumpe >

Falls eine zweite Pumpe für die Installation erforderlich ist, lesen Sie bitte aufmerksam folgende Hinweise. Falls eine zweite Pumpe im System verwendet wird, kann sie auf zwei unterschiedliche Arten angeordnet werden. Die Position der Pumpe hat Einfluss darauf, an welche Klemme des FTC das Signalkabel anzuschalten ist. Falls die zusätzliche(n) Pumpe(n) eine Stromstärke von mehr als 1 A hat/haben, verwenden Sie bitte ein geeignetes Relais. Das Pumpensignalkabel kann entweder an TBO.1 1-2 oder an CNP1 angeschaltet werden, aber nicht an beide.

Option 1 (nur Heizbetrieb)

Falls die zweite Pumpe nur für den Heizkreis verwendet wird, muss das Signalkabel an die TBO.1-Klemmen 3 und 4 (OUT2) angeschaltet werden. In dieser Position kann die Pumpe mit einer anderen Drehzahl als die eingebaute Pumpe im Hydromodul betrieben werden.

Option 2 (Primärkreis TWW und Heizbetrieb)

Falls die zweite Pumpe im Primärkreis zwischen dem Hydromodul und dem Außengerät (NUR Monoblock-System) verwendet wird, muss das Signalkabel an die TBO.1-Klemmen 1 und 2 (OUT1) angeschaltet werden. In dieser Position MUSS die Pumpendrehzahl der Drehzahl der eingebauten Pumpe des Hydromoduls entsprechen.

Hinweis: Siehe 5.2 Anschließen der Eingänge/Ausgänge.

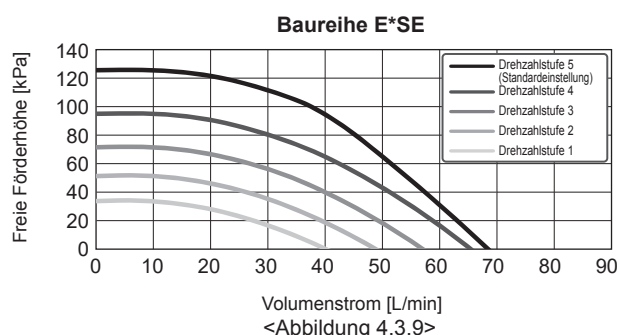
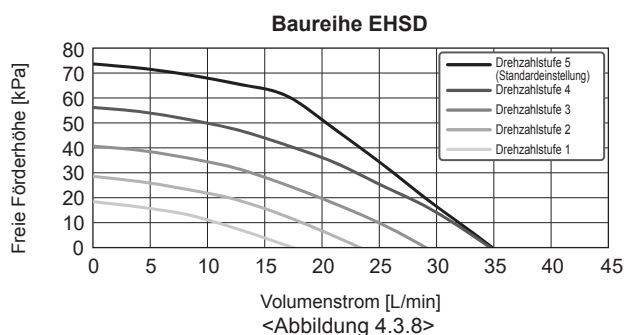
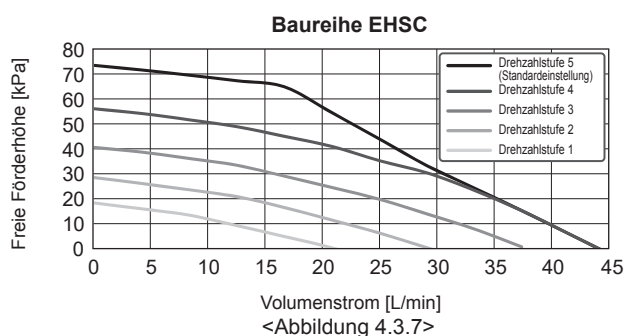
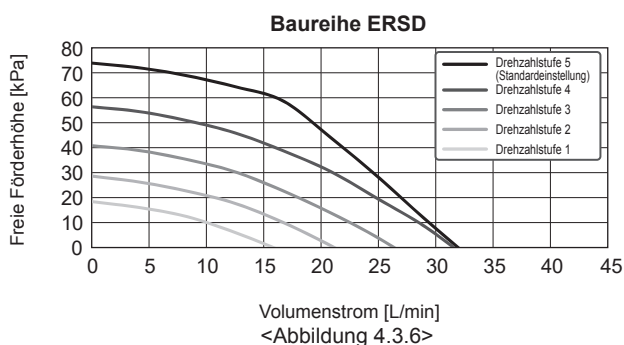
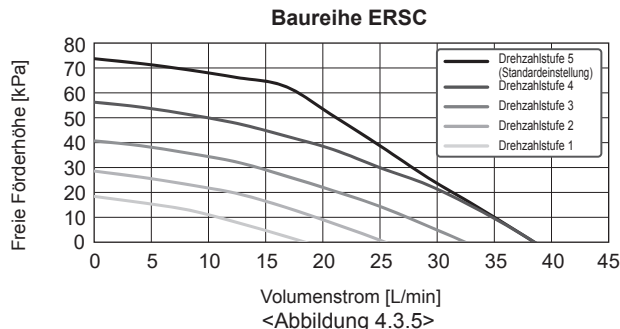
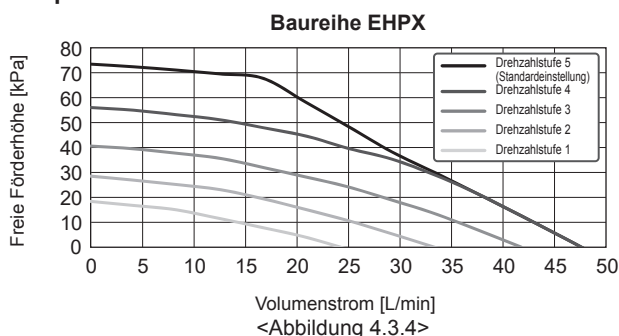
Wärmepumpenaußengerät		Bereich der Wassermenge [L/min]
Monoblock	PUZ-WM50	6,5 - 14,3
	PUZ-WM60	8,6 - 17,2
	PUZ-WM85	10,8 - 25,8
	PUZ-WM112	14,4 - 32,1
	PUZ-HWM140	17,9 - 36,9
Split	SUZ-SWM40	6,5 - 11,4
	SUZ-SWM60	7,2 - 17,2
	SUZ-SWM80	7,8 - 21,5
	PUHZ-FRP71	11,5 - 22,9
	PUHZ-SW75	10,2 - 22,9
	PUHZ-SW100	14,4 - 32,1
	PUHZ-SW120	20,1 - 36,9
	PUHZ-SHW80	10,2 - 22,9
	PUHZ-SHW112	14,4 - 32,1
	PUHZ-SHW140	17,9 - 36,9
	PUMY-P112	17,9 - 35,8
	PUMY-P125	17,9 - 35,8
PUMY-P140	17,9 - 35,8	

<Table 4.3.1>

* Falls der Volumenstrom niedriger als 5,0 L/min ist, löst der Strömungswächter im Hydromodul aus.

Falls der Volumenstrom 36,9 L/min überschreitet, ist die Strömungsgeschwindigkeit größer als 2,0 m/sek., was zu Erosionskorrosion der Rohrleitungen führen kann.

Pumpenkennlinien



4 Installation

Auslegung der Ausdehnungsgefäße

Das Volumen von Ausdehnungsgefäßen muss dem Wasservolumen des Heizungssystems entsprechen.

Um ein Ausdehnungsgefäß für den Heizkreis zu bemessen, können die folgende Formel und Kurve verwendet werden.

Wenn das nötige Ausdehnungsgefäßvolumen größer als das Volumen eines eingebauten Ausdehnungsgefäßes ist, installieren Sie ein zusätzliches Ausdehnungsgefäß, damit die Summe der Volumina der Ausdehnungsgefäße größer als das nötige Ausdehnungsgefäßvolumen ist.

* Zum Installieren des E***-M*ED-Modells müssen ein geeignetes primärseitiges Ausdehnungsgefäß und ein zusätzliches Überdruckventil mit 3 Bar bauseits gestellt werden, da das Modell nicht mit einem primärseitigen Ausdehnungsgefäß ausgestattet ist.

$$V = \frac{\epsilon \times G}{1 - \frac{P_1 + 0,098}{P_2 + 0,098}}$$

wobei

- V : benötigtes Volumen Ausdehnungsgefäß [L]
 ε : Ausdehnungskoeffizient von Wasser
 G : Gesamtvolumen des Wassers im System [L]
 P₁ : Einstelldruck des Ausdehnungsgefäßes [MPa]
 P₂ : Maximaler Druck während des Betriebs [MPa]

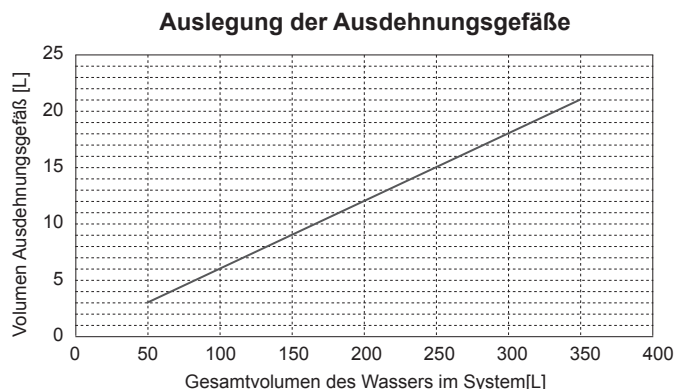
Die Kurve rechts gilt für folgende Werte

ε : bei 70°C = 0,0229

P₁ : 0,1 MPa

P₂ : 0,3 MPa

*Ein Sicherheitspielraum von 30% ist berücksichtigt.

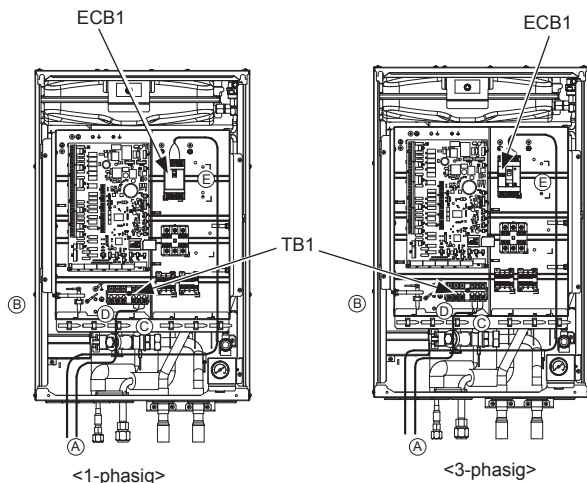


<Abbildung 4.3.10>

4.4 Elektrischer Anschluss

Alle elektrischen Arbeiten müssen von einem einschlägig qualifizierten Installateur durchgeführt werden. Eine Nichtbeachtung kann zu elektrischem Schlag, Feuer oder zum Tode führen. Sie macht auch die Produktgewährleistung unwirksam. Die gesamte Verdrahtung muss den nationalen Verdrahtungsvorschriften entsprechen.

Schalterabkürzung	Bedeutung
ECB1	Fehlerstromschutzschalter für Elektroheizstab
TB1	Klemmleiste 1



<Abbildung 4.4.1>

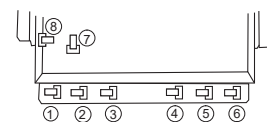
Das Hydromodul kann auf zweierlei Weise gespeist werden.

1. Ein Netzkabel wird vom Außengerät zum Hydromodul geführt.
2. Das Hydromodul hat eine unabhängige Stromquelle.

Anschlüsse müssen an den Klemmen, die in den Abbildungen links unten bezeichnet sind, abhängig von der Phase hergestellt werden.

Elektroheizstab und elektrische Einschraubheizung (TWW) müssen unabhängig voneinander an eigene Stromquellen angeschlossen werden.

- A Bauseitige Drähte müssen durch die Einführungen am Sockel des Hydromoduls geleitet werden. (Siehe <Tabelle 3.4>.)
- B Drähte müssen an der linken Seite des Schaltkastens abwärts eingeleitet und mit dafür vorgesehenen Schellen festgeklemmt werden.
- C Die Drähte sollten einzeln durch die Kabeleinführungen gesteckt werden, wie nachstehend gezeigt.
 - 2 Ausgangsdrähte
 - 3 Draht innen - außen
 - 6 Stromleitung (B.H.)
 - 7 Signaleingangsdrähte/ Draht für Funkempfänger (optional) (PAR-WR51R-E)



- D Schließen Sie das Verbindungskabel Außengerät - Hydromodul an TB1 an.
- E Schließen Sie das Netzkabel für den Elektroheizstab an ECB1 an.

• Vergewissern Sie sich, dass ECB1 EINGESCHALTET ist.

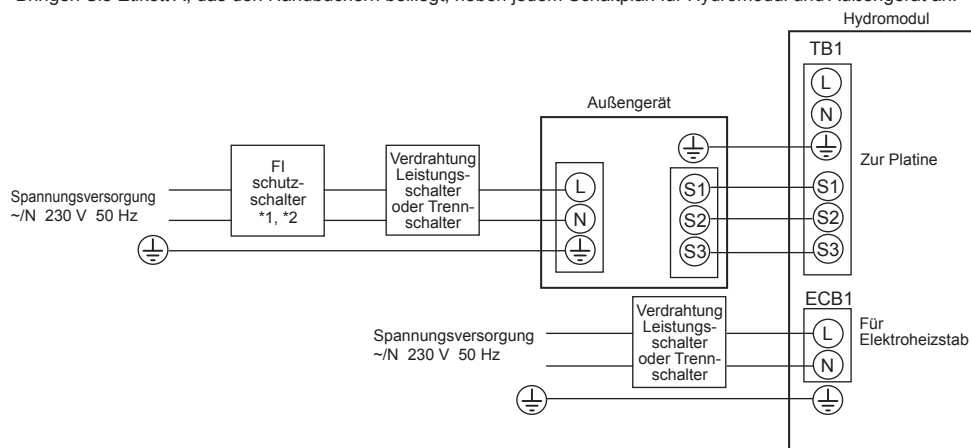
4 Installation

Spannungsversorgung des Hydromoduls über Außengerät

(Wenn Sie unabhängige Quellen verwenden möchten, besuchen Sie die Mitsubishi-Website.)

<1-phasig>

Bringen Sie Etikett A, das den Handbüchern beiliegt, neben jedem Schaltplan für Hydromodul und Außengerät an.

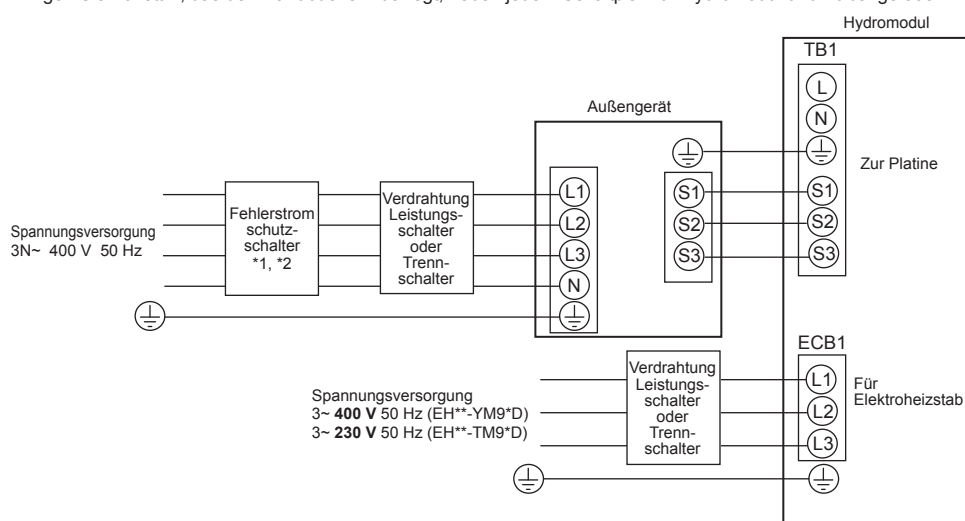


<Abbildung 4.4.2>
Elektrische Anschlüsse 1-phasig

Beschreibung	Spannungsversorgung	Leistung	Absicherung	Verdrahtung
Elektroheizstab	~/N 230 V 50 Hz	2 kW	16 A *2	2,5 mm ²
		6 kW	32 A *2	6,0 mm ²

<3-phasig>

Bringen Sie Etikett A, das den Handbüchern beiliegt, neben jedem Schaltplan für Hydromodul und Außengerät an.



<Abbildung 4.4.3>
Elektrische Anschlüsse 3-phasig

Beschreibung	Spannungsversorgung	Leistung	Absicherung	Verdrahtung
Elektroheizstab	3~ 400 V 50 Hz	9 kW	16 A *2	2,5 mm ²
	3~ 230 V 50 Hz	9 kW	32 A *2	6,0 mm ²

Verdrahtung Nr. × Querschnitt (mm ²)	Hydromodul - Außengerät	*3	3 × 1,5 (polar)
	Hydromodul - Erde Außengerät	*3	1 × min. 1,5
Spannungsart	Hydromodul - Außengerät S1 - S2	*4	230 V AC
	Hydromodul - Außengerät S2 - S3	*4	24 V DC

- *1. Falls der installierte Fehlerstromschutzschalter keine Überstromschutzfunktion hat, installieren Sie eine Absicherung mit dieser Funktion an derselben Stromleitung.
- *2. Ein Schalter mit einer Kontakttrennung von mindestens 3 mm an jedem Pol ist vorzusehen. Einen Fehlerstromschutzschalter (NV) verwenden. Der Schalter muss vorgesehen werden, damit die Trennung aller aktiven Phasenleiter der Versorgung sichergestellt ist.
- *3. Max. 45 m. Bei Verwendung von 2,5 mm² max. 50 m. Bei Verwendung von 2,5 mm² und Trennung von S3, max. 80 m
- *4. Die oben angegebenen Werte sind nicht immer gegen Erde gemessen.

Hinweise: 1. Die Verdrahtung muss den einschlägigen örtlichen und nationalen Regelwerken entsprechen

2. Anschlussleitungen von Innengerät/Außengerät dürfen nicht schlechter als flexible Leitungen mit Ummantelung aus Polychloropren sein. (Ausführung 60245 IEC 57)

Anschlussleitungen des Innengerätes dürfen nicht schlechter als flexible Leitungen mit Ummantelung aus Polychloropren sein. (Ausführung 60227 IEC 53)

3. Installieren Sie eine Erdung, die länger als andere Kabel ist.

4. Sorgen Sie bitte für eine genügende Ausgangsleistung bei der Spannungsversorgung jeder Heizung. Eine nicht ausreichende Spannungsversorgungsleistung könnte Kontaktprellen verursachen.

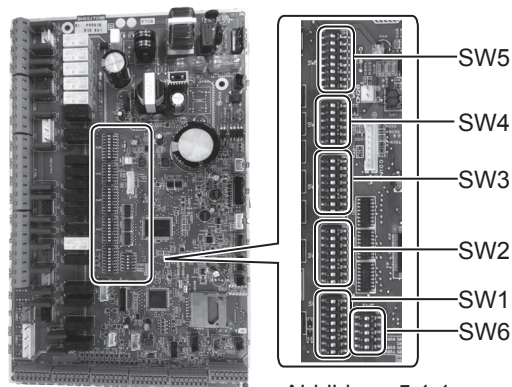
5 Systemeinrichtung

5.1 DIP-Schalter-Funktionen

Die Nummer des DIP-Schalters ist auf der Platine neben den betreffenden Schaltern aufgedruckt. Das Wort ON ist auf der Leiterplatte und auf dem DIP-Schalterblock selbst aufgedruckt. Zum Bewegen des Schalters benötigen Sie einen Stift oder Ähnliches.

Die Einstellungen der DIP-Schalter sind nachstehend in Tabelle 5.1.1 aufgeführt. Nur ein entsprechend autorisierter Installateur kann abhängig von den Bedingungen am jeweiligen Installationsstandort die Einstellung des DIP-Schalters eigenverantwortlich ändern.

Achten Sie darauf, dass die Spannungsversorgungen sowohl des Innengerätes als auch des Außengerätes abgeschaltet werden, bevor Sie die Schaltereinstellungen ändern.



<Abbildung 5.1.1>

DIP-Schalter	Funktion	OFF / AUS	ON / AN	Standardeinstellungen: Innengerätetyp	
SW1	SW1-1 Kessel	OHNE Kessel	MIT Kessel	OFF	
	SW1-2 Wärmepumpe max. Vorlauftemperatur	55 °C	60 °C	ON *1	
	SW1-3 Trinkwarmwasserspeicher	OHNE TWW-Speicher	MIT TWW-Speicher	OFF	
	SW1-4 Elektrische Einschraubheizung	OHNE elektrische Einschraubheizung	MIT elektrischer Einschraubheizung	OFF	
	SW1-5 Elektroheizstab	OHNE Elektroheizstab	MIT Elektroheizstab	OFF: E***_MED ON : E***_M2/6/9*D	
	SW1-6 Elektroheizstab Funktion	Nur für Heizen	Für Heizen und TWW	OFF: E***_MED ON : E***_M2/6/9*D	
	SW1-7 Art des Außengerätes	Split	Monoblock-Systeme	OFF: Ausgenommen EHPX-*M**D ON : EHPX-*M**D	
	SW1-8 Funkfernbedienung	OHNE Funkfernbedienung	MIT Funkfernbedienung	OFF	
SW2	SW2-1 Eingang Raumthermostat 1 (IN1) Logikumkehr	Stopp Betrieb Heizkreis 1 bei Thermostat „geschlossen“	Stopp Betrieb Heizkreis 1 bei Thermostat „offen“	OFF	
	SW2-2 Eingang Strömungswächter 1 (IN2) Logikumkehr	Fehlererkennung bei „geschlossen“	Fehlererkennung bei „offen“	OFF	
	SW2-3 Leistungsbegrenzung Elektroheizstab	Inaktiv	Aktiv	OFF: Ausgenommen E***_VM2D ON : E***_VM2D	
	SW2-4 Kühlmodus	Inaktiv	Aktiv	OFF: Ausgenommen ERS*_*M**D ON : ERS*_*M**D	
	SW2-5 Automatisches Umschalten auf zweiten Wärmeerzeuger (wenn Außengerät fehlerbedingt nicht weiterläuft)	Inaktiv	Aktiv *2	OFF	
	SW2-6 Pufferspeicher	OHNE Pufferspeicher	MIT Pufferspeicher	OFF	
	SW2-7 Temperaturregelung 2 Heizkreise	Inaktiv	Aktiv *6	OFF	
	SW2-8 Strömungssensor	OHNE Strömungssensor	MIT Strömungssensor	ON	
SW3	SW3-1 Eingang Raumthermostat 2 (IN6) Logikumkehr	Stopp Betrieb Heizkreis 2 bei Thermostat „geschlossen“	Stopp Betrieb Heizkreis 2 bei Thermostat „offen“	OFF	
	SW3-2 Eingang Strömungswächter 2 und 3 Logikumkehr	Fehlererkennung bei „geschlossen“	Fehlererkennung bei „offen“	OFF	
	SW3-3 —	—	—	OFF	
	SW3-4 Stromzähler	OHNE Stromzähler	MIT Stromzähler	OFF	
	SW3-5 Heizmodusfunktion *3	Inaktiv	Aktiv	ON	
	SW3-6 2-Wege-Ventil, EIN/AUS-Regelung	Inaktiv	Aktiv	OFF	
	SW3-7 Wärmetauscher für TWW	Glattrohrwärmetauscher in Speicher	Externe Platte HEX	OFF	
	SW3-8 Wärmemengenzähler	OHNE Wärmemengenzähler	MIT Wärmemengenzähler	OFF	
SW4	SW4-1 Steuerung mehrerer Außengeräte	Inaktiv	Aktiv	OFF	
	SW4-2 Stellung der Steuerung mehrerer Außengeräte *7	Slave	Master	OFF	
	SW4-3 —	—	—	OFF	
	SW4-4 Alleiniger Betrieb des Innengerätes (während der Installation) *4	Inaktiv	Aktiv	OFF	
	SW4-5 Notbetrieb (nur Heizstab in Betrieb)	Normal	Notbetrieb (nur Heizung in Betrieb)	OFF *5	
	SW4-6 Notbetrieb (Kesselbetrieb)	Normal	Notbetrieb (Kesselbetrieb)	OFF *5	
SW5	SW5-1 —	—	—	OFF	
	SW5-2 Erweiterte Auto-Adaption	Inaktiv	Aktiv	ON	
	SW5-3	Leistungscode			
	SW5-4				
	SW5-5				
	SW5-6				
	SW5-7				
	SW5-8				
SW6	SW6-1 —	—	—	OFF	
	SW6-2 —	—	—	OFF	
	SW6-3 Drucksensor	Inactif	Fonction activée	OFF: Ausgenommen E*SD_*M**D ON:E*SD_*M**D	
	SW6-4 Signal Analoges	Inaktiv	Aktiv	OFF	
	SW6-5 —	—	—	OFF	

<Tabelle 5.1.1>

- Hinweise: *1. Wenn das Hydromodul an ein Außengerät PУH-Z-RP angeschlossen ist, dessen maximale Wasseraustrittstemperatur 55 °C beträgt, muss DIP SW1-2 auf OFF umgestellt werden.
- *2. Bei Einstellung auf ON steht der externe Ausgang (OUT11) zur Verfügung. Aus Sicherheitsgründen steht diese Funktion bei bestimmten Fehlern nicht zur Verfügung. (In einem solchen Fall muss der Systembetrieb eingestellt werden, und nur die Heizkreispumpe läuft weiter.)
- *3. Dieser Schalter funktioniert nur, wenn das Hydromodul an ein Außengerät PУH-Z-FRP angeschlossen ist. Wenn ein Außengerät eines anderen Typs angeschlossen ist, ist die Heizmodusfunktion aktiv unabhängig davon, ob dieser Schalter auf ON oder OFF steht.
- *4. Heizbetrieb und TWW-Betrieb können nur im Innengerät betrieben werden, wie eine Elektroheizung. (Siehe „5.4 Alleiniger Betrieb des Innengerätes“.)
- *5. Falls der Notbetrieb nicht mehr erforderlich ist, bringen Sie den Schalter zurück in die Stellung OFF.
- *6. Nur aktiv, wenn SW3-6 auf OFF steht.
- *7. Nur aktiv, wenn SW4-1 auf ON steht.

5 Systemeinrichtung

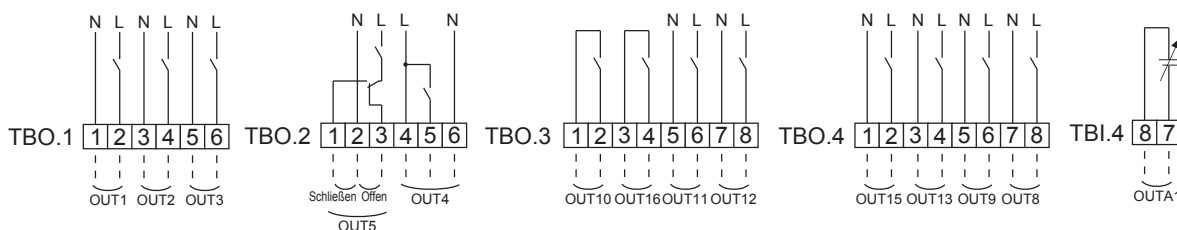
■ Signalausgänge

Bezeichnung	Klemmleiste	Anschluss	Pos.	OFF	ON	Signal/Max. Strom	Max. Summenstrom	
OUT1	TBO.1 1-2	CNP1	Ausgang Primärkreispumpe 1 (Raumheizung & TWW)	OFF	ON	Max. 230 V AC 1,0 A (Einschaltstrom max. 40A)	4,0 A (a)	
OUT2	TBO.1 3-4	—	Ausgang Heizkreispumpe 2 (Raumheizung für HK 1)	OFF	ON	Max. 230 V AC 1,0 A (Einschaltstrom max. 40A)		
OUT3	TBO.1 5-6	—	Ausgang Heizkreispumpe 3 (Raumheizung für HK 2) *1 Ausgang 2-Wege-Ventil 2b *2	OFF	ON	Max. 230 V AC 1,0 A (Einschaltstrom max. 40A)		
OUT14	—	CNP4	Ausgang Heizkreispumpe 4 (TWW)	OFF	ON	Max. 230 V AC 1,0 A (Einschaltstrom max. 40A)		
OUT4	TBO.2 4-6	CNV1	Ausgang 3-Wege-Ventil (2-Wege-Ventil 1)	Heizung	TWW	Max. 230 V AC 0,1A	3,0 A (b)	
	—	CN851	Ausgang 3-Wege-Ventil					
OUT5	TBO.2 1-2 TBO.2 2-3	—	Ausgang Mischventil *1	Stopp	Schließen Offen	Max. 230 V AC 0,1A		
OUT6	—	CNBH 1-3	Ausgang Elektroheizstab 1	OFF	ON	Max. 230 V AC 0,5 A (Relais)		
OUT7	—	CNBH 5-7	Ausgang Elektroheizstab 2	OFF	ON	Max. 230 V AC 0,5 A (Relais)		
OUT8	TBO.4 7-8	—	Signalausgang Kühlung	OFF	ON	Max. 230 V AC 0,5A		
OUT9	TBO.4 5-6	CNIH	Ausgang elektrische Einschraubheizung (TWW)	OFF	ON	Max. 230 V AC 0,5 A (Relais)		
OUT11	TBO.3 5-6	—	Ausgang Fehlermeldung	Normal	Fehler	Max. 230 V AC 0,5A		
OUT12	TBO.3 7-8	—	Abtausignal	Normal	Abtauen	Max. 230 V AC 0,5A		
OUT13	TBO.4 3-4	—	Ausgang 2-Wege-Ventil 2a *2	OFF	ON	Max. 230 V AC 0,1A		
OUT15	TBO.4 1-2	—	Ausgang Verdichter-ON Signal	OFF	ON	Max. 230 V AC 0,5A		
OUT10	TBO.3 1-2	—	Kesselausgang	OFF	ON	Spannungsfreier Kontakt ·220-240V AC (30V DC) 0,5 A oder weniger ·10 mA 5 V DC oder mehr		
OUT16	TBO.3 3-4	—	Heizen/Kühlen-Thermo EIN-Signal	OFF	ON			
OUTA1	TBI.4 7-8	—	Analoger Ausgang	0 V-10 V		Max. 0-10V DC 5mA		—

Schließen nicht an die Klemmen an, die im Feld „Klemmleiste“ mit „—“ gekennzeichnet sind.

*1 Für Temperaturregelung 2 Heizkreise.

*2 Für 2-Wege-Ventil, EIN/AUS-Regelung.



Verdrahtungsspezifikation und bauseitig zu stellende Teile

Pos.	Bezeichnung	Modell und Spezifikationen
Signalausgang	Kabel	Ummantelte, mit Vinyl überzogene Leitungen oder Kabel verwenden. Max. 30 m Drahttyp: CV, CVS oder Gleichwertiges Drahtstärke: Litzendraht 0,25 mm ² bis 1,5 mm ² Volldraht: 0,25 mm ² bis 1,5 mm ²

Verdrahtung an TBO.1 bis 4



Schließen Sie die Komponenten wie oben dargestellt an.

<Abbildung 5.2.2>

Hinweise:

1. Wenn das Hydromodul über das Außengerät mit Spannung versorgt wird, beträgt der maximale Gesamtstrom (a)+(b) 3,0 A.
2. Schließen Sie nicht mehrere Heizkreisumpen direkt an jeden Ausgang (OUT1, OUT2 und OUT3) an. In einem solchen Fall schließen Sie sie über ein oder mehr Relais an.
3. Schließen Sie keine Heizkreisumpen an TBO.1 1-2 und CNP1 gleichzeitig an.
4. Schließen Sie abhängig von der Last vor Ort einen geeigneten Überspannungsableiter an OUT10 (TBO.3 1-2) an.
5. Litzendraht sollte mit einer isolierten Klemmenschiene versehen werden (Ausführung kompatibel mit DIN 46228-4).
6. Verwenden Sie den gleichen wie den Signaleingangsdraht für die OUTA1-Drähte.

5.3 Verdrahtung für Temperaturregelung 2 Heizkreise

Schließen Sie die Rohrleitungen und bauseitigen Teile entsprechend dem zugehörigen unter „Heizungssystem“ in Abschnitt 3 dieses Handbuchs gezeigten Schaltbild an.

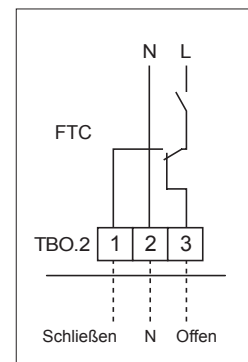
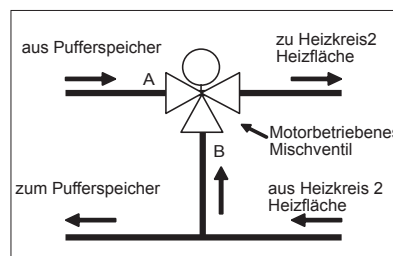
<Mischventil>

Schließen Sie die Signalleitung zum Öffnen von Eingang A (Einlass für Warmwasser) an TBO. 2-3 (Offen) an, die Signalleitung zum Öffnen von Eingang B (Einlass für Kaltwasser) an TBO. 2-1 (Schließen) und den neutralen Klemmendraht an TBO an. 2-2 (N).

<Temperaturfühler>

- Installieren Sie die Temperaturfühler nicht am Pufferspeicher.
- Installieren Sie den Temperaturfühler Vorlauftemperatur Heizkreis 2 (THW8) nahe dem Mischventil.
- Die maximale Länge des Temperaturfühlerdrahts ist 30 m.
- Die Länge der optionalen Temperaturfühler beträgt 5 m. Wenn Sie die Drähte spleißen und verlängern müssen, müssen folgende Punkte beachtet werden.

- 1) Verbinden Sie die Drähte durch Löten.
- 2) Isolieren Sie jeden Verbindungspunkt zum Schutz vor Staub und Wasser.



5 Systemeinrichtung

5.4 Alleiniger Betrieb des Innengerätes (während der Installation)

Falls vor dem Anschluss des Außengerätes, d.h. während der Installation, Heizbetrieb oder Warmwasserbereitung erforderlich ist, kann in dem Innengerät (*1) eine Elektroheizung verwendet werden.

*1 Gerätetyp nur mit Elektroheizung.

1. Um den Betrieb zu beginnen

- Prüfen Sie, ob die Spannungsversorgung des Innengerätes auf AUS steht, und stellen Sie die DIP-Schalter 4-4 und 4-5 auf ON.
- Schalten Sie die Spannungsversorgung des Innengerätes auf EIN.

2. Um den Betrieb zu beenden *2

- Schalten Sie die Spannungsversorgung des Innengerätes auf AUS.
- Stellen Sie die DIP-Schalter 4-4 und 4-5 auf OFF.

*2 Wenn der alleinige Betrieb des Innengerätes beendet wird, kontrollieren Sie die Einstellungen, nachdem das Außengerät angeschlossen worden ist.

Hinweis:

Ein längerer Lauf in dieser Betriebsart kann die Lebensdauer der Elektroheizung verkürzen.

5.5 Einsatz einer SD-Speicherkarte

Das Hydromodul ist auf der FTC-Platine mit einer Schnittstelle für SD-Speicherkarten ausgestattet.

Durch den Einsatz einer SD-Speicherkarte können Einstellungen am Hauptregler vereinfacht und Betriebsprotokolle gespeichert werden. *1

*1 Zum Bearbeiten der Einstellungen des Hauptreglers oder zum Kontrollieren von Betriebsdaten ist eine Ecodan-Servicesoftware (zur Verwendung am PC) erforderlich.

<Vorsichtsmaßnahmen für die Handhabung>

- (1) Verwenden Sie eine SD-Speicherkarte, die die SD-Standards erfüllt. Prüfen Sie auf der SD-Speicherkarte, ob sie eines der rechts gezeigten Logos trägt.
- (2) Zu SD-Speicherkarten nach SD-Standards gehören solche mit der Aufschrift SD, SDHC, miniSD, micro SD und microSDHC. Karten mit einem Speichervermögen bis 32 GB sind erhältlich. Wählen Sie eine Karte für eine maximal zulässige Temperatur von 55 °C.
- (3) Wenn die SD-Speicherkarte vom Typ miniSD, miniSDHC, microSD oder microSDHC ist, verwenden Sie einen Konverter-Adapter für SD-Speicherkarten.
- (4) Heben Sie den Schreibschutz auf, bevor Sie auf die SD-Speicherkarte schreiben.



- (5) Schalten Sie das System ab, bevor Sie eine SD-Speicherkarte einschieben oder auswerfen. Falls eine SD-Speicherkarte eingeschoben oder ausgeworfen wird, während das System unter Spannung steht, könnten gespeicherte Daten verloren gehen oder die SD-Speicherkarte beschädigt werden.

* Die Platine steht nach dem Abschalten des Systems noch für kurze Zeit unter Spannung. Warten Sie vor dem Einschieben oder Auswerfen so lange, bis alle LED-Leuchten an der FTC-Platine erloschen sind.

- (6) Die Lese- und Schreibvorgänge sind mit Hilfe der folgenden SD-Speicherkarten getestet worden, bei geänderter Spezifikation übernehmen wir keine Gewähr für die Funktionsfähigkeit

Hersteller	Modell	Getestet auf
Verbatim	#44015	Mar. 2012
SanDisk	SDSDB-002G-B35	Okt. 2011
Panasonic	RP-SDP04GE1K	Okt. 2011
Arvato	2GB PS8032 TSB 24nm MLC	Jun. 2012
Arvato	2GB PS8035 TSB A19nm MLC	Jul. 2014
SanDisk	SDSDUN-008G-G46	Okt. 2016
Verbatim	#43961	Okt. 2016
Verbatim	#44018	Okt. 2016
VANTASTEK	VSDHC08	Sep. 2017







Bevor Sie eine neue SD-Speicherkarte (auch die Karte, die mit der Einheit geliefert wird) verwenden, prüfen Sie immer, ob die SD-Speicherkarte von der FTC-Steuerung sicher gelesen und beschrieben werden kann.

<Prüfen der Lese- und Schreibvorgänge>

- a) Prüfen Sie den korrekten Anschluss der Spannungsversorgung an das System. Näheres hierzu siehe Abschnitt 4.4. (Schalten Sie das System nicht an diesem Zeitpunkt ein.)
- b) Schieben Sie eine SD-Speicherkarte ein.
- c) Schalten Sie die Spannungsversorgung des Systems ein.
- d) LED4 leuchtet, wenn die Lese- und Schreibvorgänge erfolgreich abgeschlossen sind. Falls LED4 weiter flackert oder nicht leuchtet, kann die SD-Speicherkarte von der FTC-Steuerung nicht gelesen oder beschrieben werden.

- (7) Befolgen Sie die Anweisungen und Vorgaben des Herstellers der SD-Speicherkarte.

- (8) Formatieren Sie die SD-Speicherkarte, wenn sie in Schritt (6) als nicht lesbar erkannt wurde. Hierdurch könnte sie lesbar gemacht werden. Laden Sie ein Formatierprogramm für SD-Karten von folgender Website herunter. Homepage der SD Association: <https://www.sdcard.org/home/>
- (9) FTC unterstützt das FAT-Dateisystem, aber nicht das NTFS-Dateisystem.
- (10) Mitsubishi Electric ist nicht haftbar für Schäden, ob im Ganzen oder teilweise, einschließlich Unmöglichkeit des Beschreibens einer SD-Speicherkarte sowie Zerstörung und Verlust gespeicherter Daten oder dergleichen. Sichern Sie gespeicherte Daten nach Bedarf.
- (11) Berühren Sie keine elektronischen Teile an der FTC-Platine, wenn Sie eine SD-Speicherkarte einschieben oder auswerfen, andernfalls könnte die Platine Schaden nehmen.

Logos
  
  
Speicherfähigkeit
2 GB bis 32 GB *2
SD Speed Classes
Alle

- Das SD-Logo ist ein Warenzeichen der SD-3C, LLC.
- Das miniSD-Logo ist ein Warenzeichen der SD-3C, LLC.
- Das microSD-Logo ist ein Warenzeichen der SD-3C, LLC.

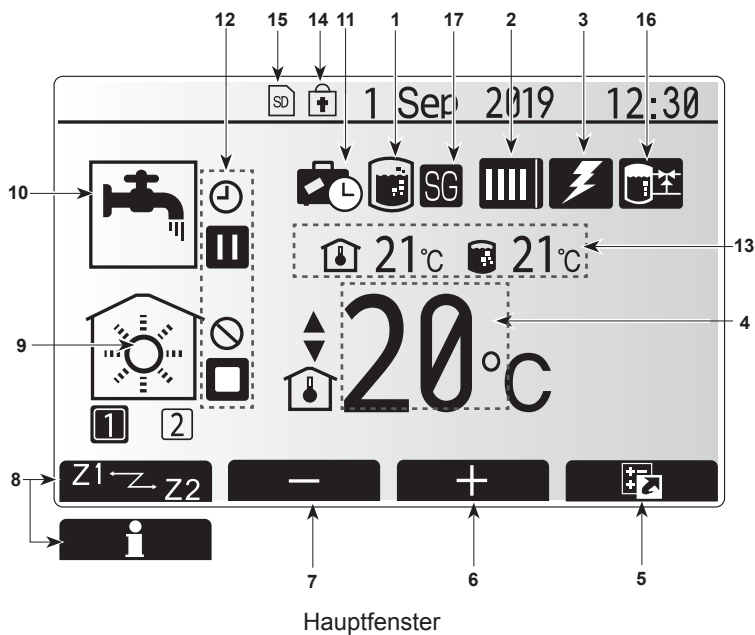
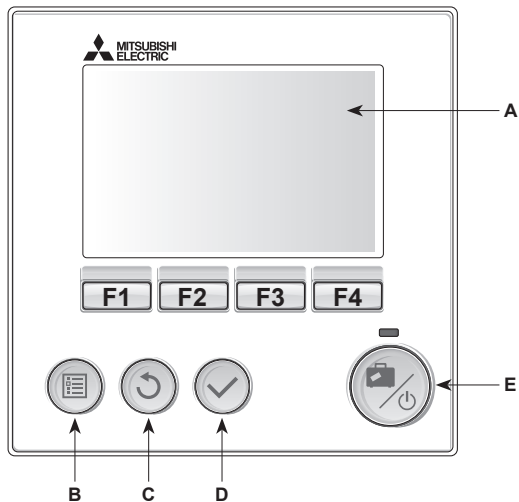
*2 Eine SD-Speicherkarte mit 2 GB hat Platz zum Speichern von Betriebsprotokollen für bis zu 30 Tage.

5 Systemeinrichtung

5.6 Der Hauptregler

Zum Ändern der Einstellungen Ihres Heiz-/Kühlsystems verwenden Sie bitte den Hauptregler, der sich auf der Frontabdeckung des Speichermoduls oder des Hydro-moduls befindet. Nachstehend erhalten Sie eine Anleitung zu den Haupteinstellungen. Sollten Sie weitere Informationen benötigen, wenden Sie sich bitte an Ihren Installateur oder Ihren örtlichen Mitsubishi Electric-Händler.

Der Kühlmodus sind nur für die Baureihe ERS verfügbar. Der Kühlmodus ist jedoch nicht verfügbar, wenn Innengerät an PUHZ-FRP angeschlossen ist.



<Komponenten des Hauptreglers>

Position	Bezeichnung	Funktion
A	Display	Fenster, in dem alle Informationen angezeigt werden
B	Menü	Zugriff auf Systemeinstellungen für erste Inbetriebnahme und Anpassungen
C	Zurück	Rückkehr zum vorherigen Menü.
D	Bestätigen	Zum Auswählen oder Speichern. (Eingabetaste)
E	Power/Urlaub	Wenn das System ausgeschaltet ist, wird es durch einmaliges Drücken wieder eingeschaltet. Erneutes Drücken bei eingeschaltetem System aktiviert den Urlaubsmodus. Wenn die Taste 3 Sekunden lang gedrückt gehalten, wird das System abgeschaltet. (*1)
F1-4	Funktions-tasten	Zum Scrollen durch das Menü und zum Anpassen der Einstellungen. Die Funktion ist abhängig vom Menü, das im Display A angezeigt wird.

*1

Wenn das System abgeschaltet oder die Spannungsversorgung unterbrochen wurde, funktionieren die Sicherheitsfunktionen des Innengerätes (z. B. Frostschutzfunktion) NICHT.

Beachten Sie bitte, dass das Innengerät Schaden nehmen kann, wenn diese Sicherheitsfunktionen nicht aktiviert sind.

<Symbole im Hauptmenü>

Symbol	Beschreibung
1 Legionellenprogramm	Wenn dieses Symbol angezeigt wird, ist das Legionellenprogramm aktiviert
2 Wärmepumpe	<ul style="list-style-type: none"> Normalbetrieb Abtaubetrieb Notbetrieb „Schallreduzierter Betrieb“ ist aktiviert.
3 Elektroheizung	Wenn dieses Symbol angezeigt wird, sind die 'Elektroheizungen' (Elektroheizstab oder elektrische Einschraubheizung) in Betrieb.
4 Zieltemperatur	<ul style="list-style-type: none"> Sollvorlauftemperatur Sollraumtemperatur Heizkurve
5 OPTION	Wenn Sie die Funktionstaste unter diesem Symbol drücken, wird das Schnellansicht-Menü angezeigt.
6 +	Gewünschte Temperatur erhöhen.
7 -	Gewünschte Temperatur verringern.
8 Z1-Z2	Wenn Sie die Funktionstaste unter diesem Symbol drücken, wird zwischen Heizkreis 1 und Heizkreis 2 umgeschaltet.
Information	Wenn Sie die Funktionstaste unter diesem Symbol drücken, wird der Informationsbildschirm angezeigt.
9 Raumheiz-/Raumkühlmodus	<ul style="list-style-type: none"> Heizmodus Heizkreis 1 oder Heizkreis 2 Kühlmodus Heizkreis 1 oder Heizkreis 2
10 Warmwasserbetrieb	Normaler oder ECO-Modus
11 Urlaubsmodus	Wenn dieses Symbol angezeigt wird, ist der 'Urlaubsmodus' aktiviert.
12	<ul style="list-style-type: none"> Zeitprogramm Gesperrt Serversteuerung Stand-by Stand-by (*2) Stopp In Betrieb
13 Aktuelle Temperatur	<ul style="list-style-type: none"> Aktuelle Raumtemperatur Aktuelle Wassertemperatur des Trinkwarmwasserspeichers
14	Die Menüaste ist gesperrt, oder das Umschalten der Betriebsmodi zwischen TWW- und Heizbetrieb ist im Optionsfenster deaktiviert. (*3)
15	SD-Speicherkarte ist (NICHT durch den Benutzer) eingesetzt.
16 Pufferspeicherregelung	Wenn dieses Symbol angezeigt wird, ist die ‚Pufferspeicherregelung‘ aktiviert.
17 Smart Grid Ready	Wenn dieses Symbol angezeigt wird, ist ‚Smart Grid Ready‘ aktiv.

*2 Diese Einheit ist im Standby-Betrieb, während andere Innengeräte vorrangbedingt in Betrieb sind.

*3 Zum Sperren und Entsperren des Menüs drücken Sie gleichzeitig die Tasten ZURÜCK und BESTÄTIGEN 3 Sekunden lang.

de

5 Systemeinrichtung

■ [Inbetriebnahme-Assistent]

Beim erstmaligen Einschalten der Haupt-Fernbedienung wechselt die Ansicht automatisch nacheinander zum Fenster für die Spracheinstellungen, zum Fenster für die Einstellung von Datum/Zeit und zu den Haupteinstellungen. Geben Sie über die Funktionstasten den gewünschten Wert ein und drücken Sie BESTÄTIGEN.

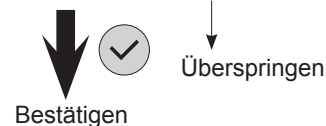
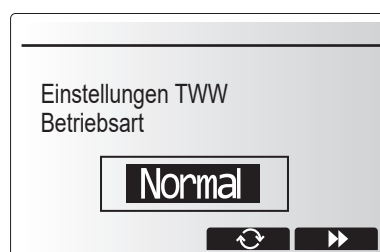
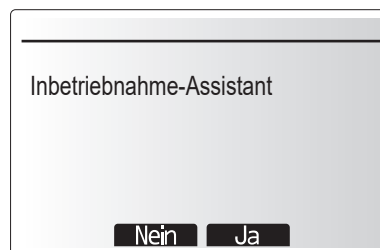
Hinweis:

<[HEIZSTAB LEISTUNGSBEGRENZ.]>

Diese Einstellung begrenzt die E-Heizstab Leistung. Es ist NICHT möglich, die Einstellung nach dem Einschalten zu verändern.

Falls in Ihrem Land keine besonderen Anforderungen bestehen (wie Bauvorschriften), überspringen Sie diese Einstellung (wählen Sie „Nein“).

- [Trinkwarmwasser(TWW/Legionellen)]
- [Heizen]/[Kühlen]
- [Betriebsart (Ein/Gesperrt/Zeitprogramm)]
- [Drehzahlstufe Pumpe]
- [W/P Bereich Volumenstrom]
- [Mischventil-Steuerung]
- [HEIZSTAB LEISTUNGSBEGRENZ.]



■ Hauptmenü

Das Menü für die Haupteinstellungen kann durch Drücken der MENÜ-Taste aufgerufen werden. Um zu verhindern, dass ungeschulte Anwender die Einstellungen versehentlich verändern, gibt es zwei Zugriffsebenen auf die Haupteinstellungen; das Servicemenü ist passwortgeschützt.

Anwenderebene – Kurz drücken

Wenn die MENÜ-Taste einmal kurz gedrückt wird, werden die Haupteinstellungen angezeigt, können aber nicht bearbeitet werden. Dies ermöglicht dem Anwender, die aktuellen Einstellungen anzusehen, nicht aber die Parameter zu verändern.

Installateurebene – Lange drücken

Wenn die Taste MENÜ 3 Sekunden lang gedrückt wird, werden die Haupteinstellungen mit allen verfügbaren Funktionen angezeigt.

Die Farbe der ◀▶-Tasten wird wie in der rechten Abbildung dargestellt invertiert. <Abbildung 5.6.1>.

Die folgenden Einstellungen können (abhängig von der Zugriffsebene) entweder nur abgelesen oder bearbeitet werden.

- [Trinkwarmwasser (TWW)]
- [Heizen]/[Kühlen]
- [Zeitprogramm]
- [Urlaubsmodus]
- [Grundeinstellungen]
- [Service (passwortgeschützt)]



Hauptmenü



<Abbildung. 5.6.1>

5 Systemeinrichtung

<Menübaum Hauptsteuerung>

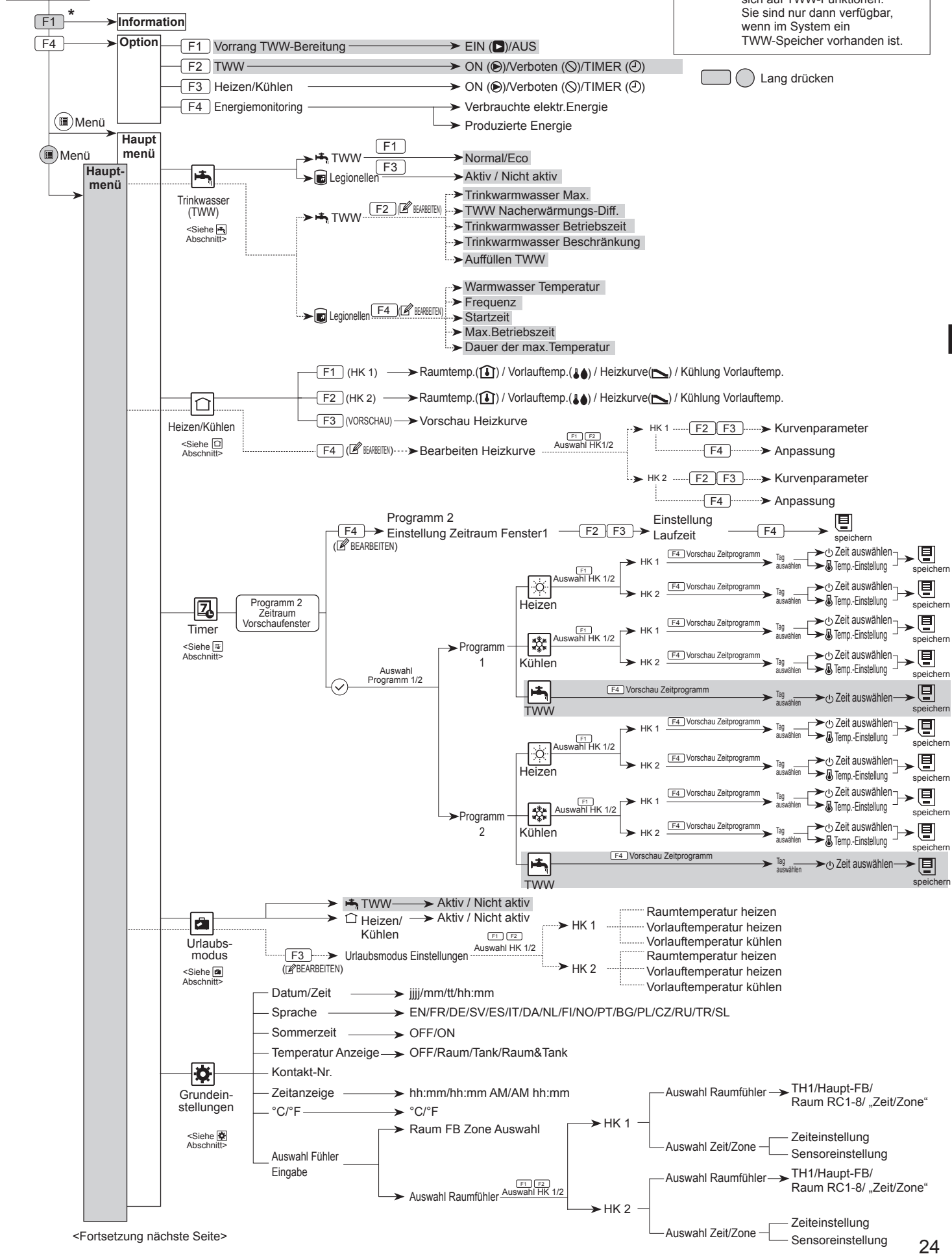
Ausgangspunkt

Hauptmenü

* Kurz drücken für 1 Heizkreis.

— Uneingeschränkter Zugriff
 - - - Nur Installateur
 ■ Schattierte Elemente beziehen sich auf TWW-Funktionen. Sie sind nur dann verfügbar, wenn im System ein TWW-Speicher vorhanden ist.

□ ○ Lang drücken



<Fortsetzung nächste Seite>

de

5 Systemeinrichtung

<Fortsetzung von voriger Seite>

<Menübaum Hauptregler>

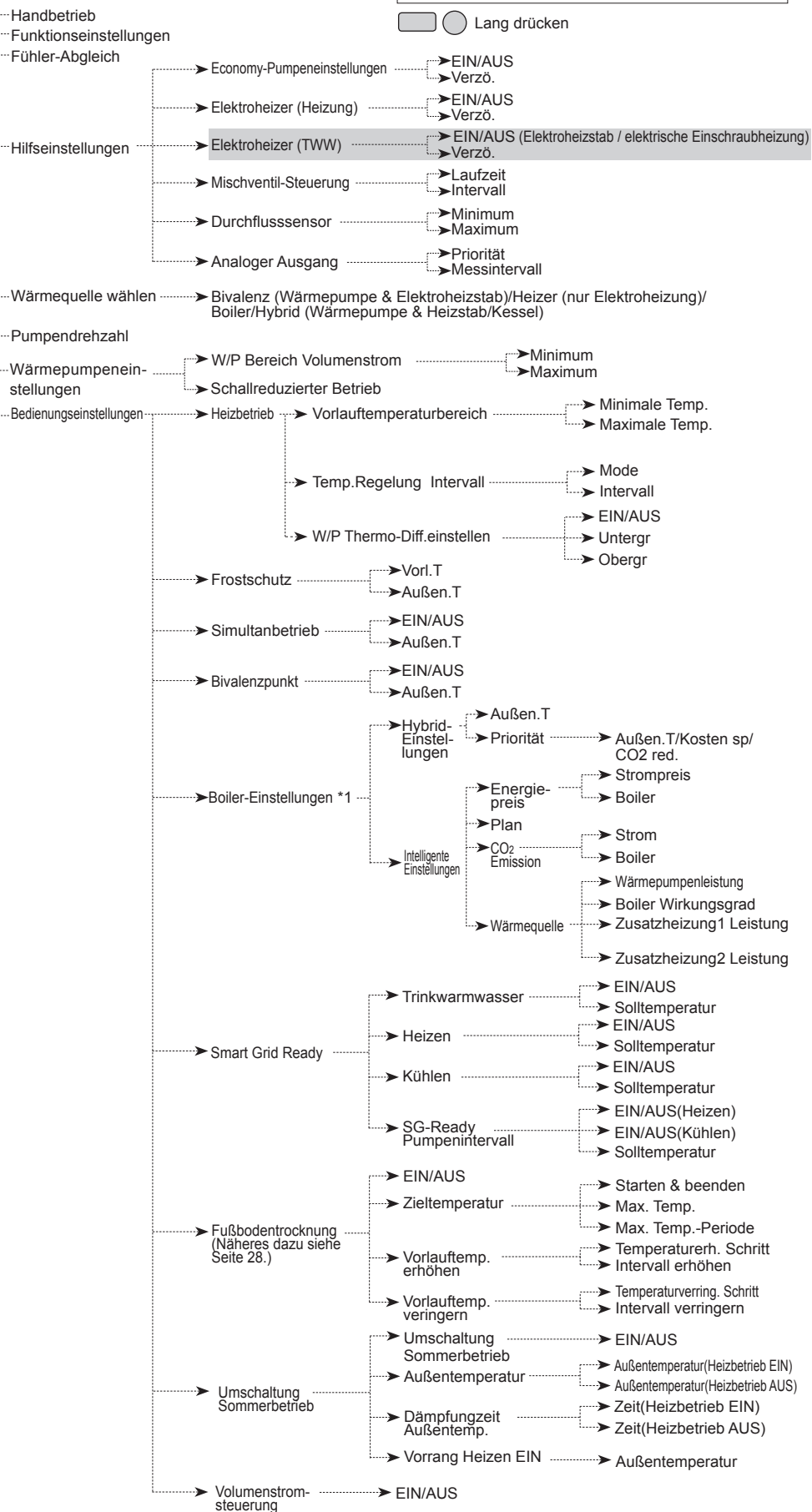
Ausgangspunkt

Hauptmenü

Menü

Hauptmenü

Service
Passwort-
geschützt



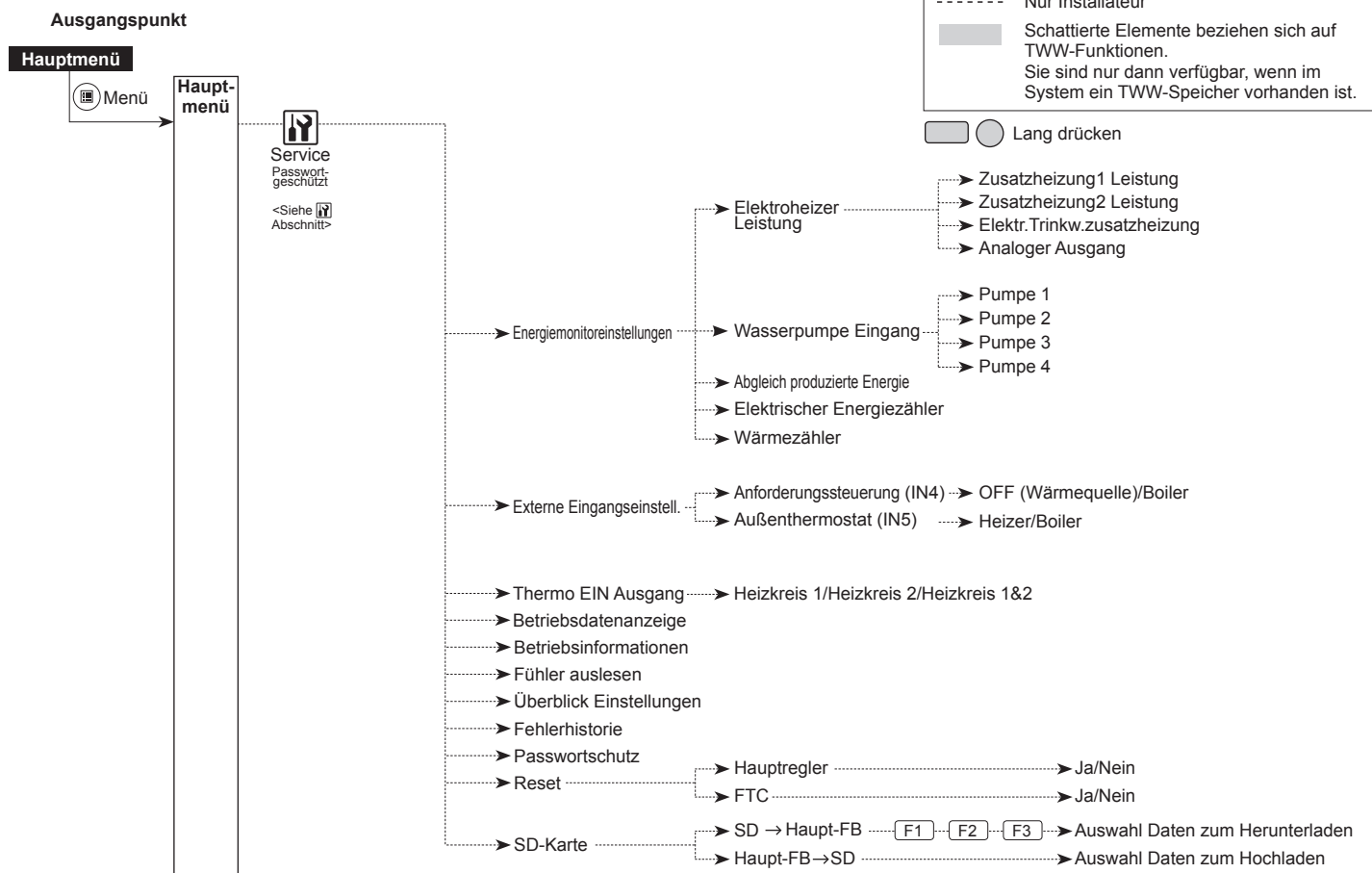
<Fortsetzung nächste Seite>

*1 Näheres hierzu siehe Installationshandbuch für PAC-TH012HT(L)-E.

5 Systemeinrichtung

<Fortsetzung von voriger Seite>

<Menübaum Hauptregler>



— Uneingeschränkter Zugriff
 - - - - - Nur Installateur
 ■ Schattierte Elemente beziehen sich auf TWW-Funktionen.
 Sie sind nur dann verfügbar, wenn im System ein TWW-Speicher vorhanden ist.

○ Lang drücken

Trinkwarmwasser / Legionellenschutz

Die Menüs Trinkwarmwasser und Legionellenschutz steuern den Betrieb der Erwärmung des TWW-Speichers.

<Einstellungen TWW-Modus>

1. Heben Sie das Warmwassersymbol hervor und drücken Sie BESTÄTIGEN.
2. Schalten Sie mit Taste F1 zwischen den Heizmodi Normal und ECO um.
3. Zum Bearbeiten des Modus halten Sie die Taste MENÜ 3 Sekunden gedrückt und wählen Sie dann „Warmwasser“.
4. Drücken Sie Taste F2 zum Anzeigen des Menüs „Warmwasser Einstellung“
5. Scrollen Sie mit den Tasten F2 und F3 durch das Menü und wählen Sie jede Komponente jeweils durch Drücken von BESTÄTIGEN aus. Nehmen Sie die Einstellungen vor wie in nachfolgender Tabelle beschrieben.
6. Geben Sie über die Funktionstasten den gewünschten Wert ein und drücken Sie BESTÄTIGEN.



Menüeintrag	Funktion	Bereich	Einheit	Standardwert
Max. Temp. TWW	Gewünschte Temperatur des gespeicherten Warmwassers	40 - 60	°C	50
Max. Temp.-Abfall TWW	Differenz zwischen max. TWW-Temperatur und Temperatur, bei der der TWW-Modus neu startet	5 - 30 *	°C	10
Max. Betriebsdauer TWW	Maximal erlaubte Dauer der Erwärmung von gespeichertem Wasser im TWW-Modus	30 - 120	min	60
Einschränkung TWW-Modus	Zeitraum nach dem TWW-Modus, in dem die Raumheizung Vorrang vor dem TWW-Modus hat, wobei eine weitere Erwärmung von gespeichertem Wasser vorübergehend verhindert wird (Erst wenn die maximale TWW-Betriebszeit abgelaufen ist.)	30 - 120	min	30

* Wenn die maximale Trinkwarmwassertemperatur auf über 55°C eingestellt wird, muss die Temperatur, bei der der Trinkwarmwassermodus erneut gestartet wird, zum Schutz des Geräts weniger als 50°C betragen.

<Eco-Modus>

Die TWW-Bereitung kann entweder im Modus ‚Normal‘ oder ‚Eco‘ arbeiten. Im Normal-Modus wird das Wasser im TWW-Speicher mit der vollen Leistung der Wärmepumpe schneller erwärmt. Im Eco-Modus dauert es etwas länger, bis das Wasser im TWW-Speicher erwärmt ist, aber der Energieverbrauch ist geringer. Das liegt daran, dass der Betrieb der Wärmepumpe mit Hilfe von Signalen aus dem FTC auf der Basis der gemessenen Temperatur im TWW-Speicher eingeschränkt wird.

Hinweis: Die tatsächliche Energieeinsparung im Eco-Modus variiert je nach Außentemperatur.

<[Auffüllen TWW]>

Wählen Sie die Trinkwarmwassermenge aus. Wenn Sie viel warmes Wasser benötigen, wählen Sie REICHLICH.

Kehren Sie in das Menü TWW/Legionellenschutz zurück.

de

5 Systemeinrichtung

Einstellungen Anti-Legionellenmodus (AL-Modus)

1. Wählen Sie mit Taste F3 JA/NEIN, ob der Legionellenschutz aktiviert sein soll.
2. Zum Bearbeiten der Legionellenschutzfunktion halten Sie die Taste MENÜ 3 Sekunden gedrückt, wählen Sie „Warmwasser“ und drücken Sie dann die Taste F4.
3. Scrollen Sie mit den Tasten F1 und F2 durch das Menü und wählen Sie jeden Menüeintrag jeweils durch Drücken von BESTÄTIGEN aus. Nehmen Sie die Einstellungen vor wie in nachfolgender Tabelle beschrieben.
4. Geben Sie über die Funktionstasten den gewünschten Wert ein und drücken Sie BESTÄTIGEN.

Im Anti-Legionellenmodus wird die Temperatur des gespeicherten Wasser auf über 60°C erhöht, um das Wachstum des Legionellenbakteriums zu hemmen. Es wird dringend empfohlen, dass dies in regelmäßigen Abständen geschieht. Wie oft Erwärmungen stattfinden sollten, entnehmen Sie bitte den örtlichen Vorschriften.

Beachten Sie bitte, dass im AL-Modus die Energiezufuhr der Wärmepumpe mit Hilfe von Elektroheizungen ergänzt wird. Das Erwärmen von Wasser über lange Zeiträume ist nicht effizient und wird die Betriebskosten erhöhen. Der Installateur muss sorgfältig abwägen zwischen der Notwendigkeit des Legionellenschutzes und der Vermeidung eines unnötigen Energieverbrauches durch Aufheizung des gespeicherten Wassers über zu lange Zeiträume. Der Endanwender sollte die Wichtigkeit dieser Funktion verstehen.

BEACHTEN SIE STETS DIE ÖRTLICHEN UND NATIONALEN BESTIMMUNGEN FÜR IHR LAND BEZÜGLICH DES LEGIONELLEN-SCHUTZES.

Hinweis: Wenn Störungen am Hydromodul auftreten sollten, arbeitet der AL-Modus möglicherweise nicht normal.

Menüeintrag	Funktion	Bereich	Einheit	Standardwert
Warmwassertemp.	Gewünschte Temperatur des gespeicherten Warmwassers	60–70	°C	65
Häufigkeit	Zeit zwischen AL-Modus und Erwärmungen des TWW-Speichers	1–30	Tag	15
Startzeit	Zeitpunkt, an dem der AL-Modus beginnt	0:00–23:00	-	03:00
Max. Betriebsdauer	Maximale erlaubte Dauer für die Erwärmung des TWW-Speichers im AL-Modus	1–5	Stunde	3
Dauer bei max. Temp.	Zeitraum, nachdem die gewünschte Wassertemperatur im AL-Modus erreicht ist	1–120	Minute	30

[Grundeinstellungen]

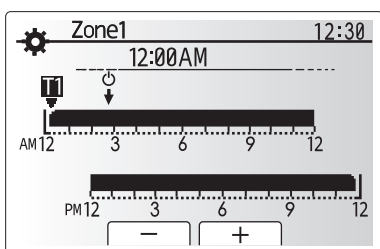
Vom Grundeinstellungsmenü aus kann der Installateur folgende Einstellungen vornehmen:

- [Datum/Uhrzeit] *Stellen Sie hier unbedingt die örtliche Standardzeit ein.
- [Sprache]
- [Sommerzeit]
- [Temperaturanzeige]
- [Kontaktnummer]
- [Zeitanzeige]
- [°C/°F]
- [Einstellungen Raumfühler]

Gehen Sie beim Einrichten vor, wie in Allgemeiner Betrieb beschrieben.

<[Einstellungen Raumfühler]>

Beim Einstellen der Raumfühler ist es wichtig, den richtigen Raumfühler abhängig vom Heizmodus, in dem das System arbeiten soll, auszuwählen.



Fenster für Zeit/Heizkreis-Einstellung

Menüeintrag	Beschreibung																				
Auswahl Funkfernbedienung Heizkreis	Wenn die Temperaturregelung 2 Heizkreise aktiv ist und Funkfernbedienungen vorhanden sind, wählen Sie im Auswahlfenster Heizkreise die Heizkreisnummer, die den einzelnen Funkfernbedienungen zugewiesen werden soll.																				
Fühler-einstellung	Wählen Sie im Fenster für Fühlereinstellungen einen Raumfühler, der zum Überwachen der Raumtemperatur von Heizkreis 1 und Heizkreis 2 separat verwendet werden soll. <table border="1" style="width: 100%; margin-top: 10px;"> <thead> <tr> <th rowspan="2">Regelungsart (Website-Handbuch)</th> <th colspan="2">Entsprechende Raumfühlergrundeinstellungen</th> </tr> <tr> <th>Heizkreis 1</th> <th>Heizkreis 2</th> </tr> </thead> <tbody> <tr> <td>A</td> <td>Funkfern. 1-8 (je einer für Heizkreis 1 und Heizkreis 2)</td> <td>*1</td> </tr> <tr> <td>B</td> <td>TH1</td> <td>*1</td> </tr> <tr> <td>C</td> <td>Hauptregler</td> <td>*1</td> </tr> <tr> <td>D</td> <td>*1</td> <td>*1</td> </tr> <tr> <td>Wenn verschiedene Raumfühler gemäß Zeitsteuerung verwendet werden</td> <td>Zeit/Heizkreis*2</td> <td>*1</td> </tr> </tbody> </table>	Regelungsart (Website-Handbuch)	Entsprechende Raumfühlergrundeinstellungen		Heizkreis 1	Heizkreis 2	A	Funkfern. 1-8 (je einer für Heizkreis 1 und Heizkreis 2)	*1	B	TH1	*1	C	Hauptregler	*1	D	*1	*1	Wenn verschiedene Raumfühler gemäß Zeitsteuerung verwendet werden	Zeit/Heizkreis*2	*1
Regelungsart (Website-Handbuch)	Entsprechende Raumfühlergrundeinstellungen																				
	Heizkreis 1	Heizkreis 2																			
A	Funkfern. 1-8 (je einer für Heizkreis 1 und Heizkreis 2)	*1																			
B	TH1	*1																			
C	Hauptregler	*1																			
D	*1	*1																			
Wenn verschiedene Raumfühler gemäß Zeitsteuerung verwendet werden	Zeit/Heizkreis*2	*1																			
<p>*1. Nicht angegeben (wenn ein bauseitiger Raumthermostat verwendet wird) Funkfern. 1-8 (je einer für Heizkreis 1 und Heizkreis 2) (wenn eine Funkfernbedienung als Raumthermostat verwendet wird)</p> <p>*2. Wählen Sie im Fenster für Fühlereinstellungen „Zeit/Heizkreis“, damit verschiedene Raumfühler gemäß der im Menü für die Auswahl von Zeit/Heizkreis eingestellten Zeitsteuerung verwendet werden können. Die Raumfühler können bis viermal innerhalb von 24 Stunden geschaltet werden.</p>																					

5 Systemeinrichtung

[Servicemenü]

Das Servicemenü stellt Funktionen für den Installateur oder Serviceingenieure bereit. Es ist NICHT beabsichtigt, dass der Betreiber Einstellungen innerhalb dieses Menüs ändert. Aus diesem Grund ist ein Passwortschutz erforderlich, um unbefugten Zugriff auf die Serviceeinstellungen zu verhindern.

Das im Werk voreingestellte Passwort ist „0000“.

Gehen Sie beim Einrichten vor, wie in Allgemeiner Betrieb beschrieben.

Viele Funktionen können nicht eingestellt werden, solange das Innengerät läuft. Vor Einstellen der Funktionen muss daher das Innengerät abgeschaltet werden. Wenn der Installateur versucht, diese Einstellungen zu ändern, während das Gerät läuft, erinnert eine Meldung im Hauptregler den Installateur daran, den Betrieb zu beenden, bevor er mit den Arbeiten fortfährt. Mit der Auswahl „Ja“ wird der Betrieb des Gerätes beendet.

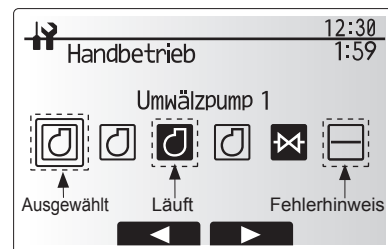
<[Handbetrieb]>

Während das System befüllt wird, können die Heizkreispumpe des Primärkreises und das 3-Wege-Ventil in der Handbetriebsart manuell übersteuert werden.

Wenn Handbetrieb gewählt ist, erscheint im Fenster ein kleines Zeitprogramm-Symbol. Wenn dies ausgewählt ist, bleibt diese Funktion nur für maximal 2 Stunden im Handbetrieb. Damit soll verhindert werden, dass der FTC versehentlich dauerhaft überschrieben wird.

► Beispiel

Durch Drücken der Taste F3 wird der Handbetrieb des 3-Wege-Hauptventils eingeschaltet. Wenn der Trinkwarmwasserspeicher ganz gefüllt ist, sollte der Installateur zu diesem Menü zurückkehren und mit F3 den Handbetrieb deaktivieren. Andernfalls wird die Handbetriebsart nach 2 Stunden deaktiviert, und der FTC übernimmt die Steuerung des Hydromoduls.



Menüfenster Handbetrieb

Handbetrieb und Einstellung der Wärmequelle können nicht ausgewählt werden, wenn das System läuft. Es erscheint ein Fenster, das den Installateur auffordert, das System zu stoppen, bevor diese Modi aktiviert werden können. Das System stoppt automatisch 2 Stunden nach der letzten Eingabe.

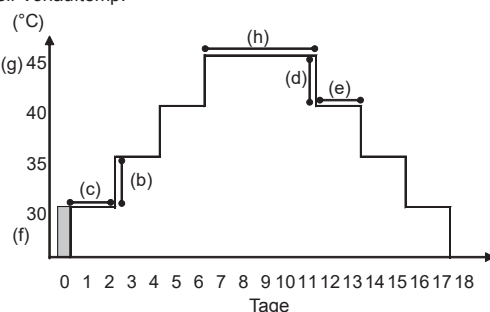
<[Estrich Trocknungsfunktion]>

Die Estrich Trocknungsfunktion ändert die Warmwassersolltemperatur in Stufen, um Estrich allmählich zu trocknen, wenn eine Fußbodenheizung installiert ist.

Bei Abschluss des Betriebs stoppt das System alle Betriebsarten mit Ausnahme des Frostschutzes.

Bei der Estrich Trocknungsfunktion ist die Soll-Vorlauftemperatur in Heizkreis 1 dieselbe wie in Heizkreis 2.

Soll-Vorlauftemp.



- Diese Funktion ist nicht verfügbar, wenn ein PUHZ-FRP-Außengerät angeschlossen ist.
- Klemmen Sie die Drähte zu den externen Eingängen des Raumthermostats, der Bedarfssteuerung und des Außenthermostats ab, da sonst die Soll-Vorlauftemperatur nicht erreicht werden könnte.

Funktionen		Symbol	Beschreibung	Option/Bereich	Gerät	Standard-einstellung
Estrich Trocknungsfunktion		a	Setzen Sie die Funktion auf ON und schalten Sie das System über den Hauptregler ein; der Trocknungsbetrieb beginnt.	Ein/Aus	—	Aus
Vorlauftemp. (Erhöhung)	Schritt Temp.-Erhöhung	b	Stellt den Erhöhungsschritt der Soll-Vorlauftemperatur ein.	+1 - +10	°C	+5
	Intervall vergrößern	c	Stellt den Zeitraum ein, für den dieselbe Soll-Vorlauftemperatur eingehalten wird.	1 - 7	Tag	2
Vorlauftemp. (Absenkung)	Schritt Vorlauftemp.Absenkung	d	Stellt den Absenkungsschritt der Soll-Vorlauftemperatur ein.	-1 - -10	°C	-5
	Intervall verkleinern	e	Stellt den Zeitraum ein, für den dieselbe Soll-Vorlauftemperatur eingehalten wird.	1 - 7	Tag	2
Solltemperatur	Starten & Beenden	f	Stellt die Soll-Vorlauftemperatur am Anfang und am Ende des Betriebs ein.	20 - 60	°C	30
	Max. Zieltemp.	g	Stellt die maximale Soll-Vorlauftemperatur ein.	20 - 60	°C	45
	Max. Temp.-Dauer	h	Stellt den Zeitraum ein, für den die maximale Soll-Vorlauftemperatur eingehalten wird.	1 - 20	Tag	5

<[Passwortschutz]>

Ein Passwortschutz steht zur Verfügung, um unbefugten Zugriff auf das Servicemenü durch nicht geschulte Personen zu verhindern.

Zurücksetzen des Passworts

Wenn Sie das von Ihnen eingegebene Passwort vergessen haben oder Sie eine Einheit warten müssen, die nicht Sie installiert haben, können Sie das Passwort auf die Werksvoreinstellung **0000** zurücksetzen.

1. Scrollen Sie im Menü mit den Haupteinstellungen die Funktionen hinunter, bis das Servicemenü hervorgehoben ist.
2. Drücken Sie BESTÄTIGEN.
3. Sie werden aufgefordert, ein Passwort einzugeben.
4. Halten Sie die Tasten F3 und F4 zusammen 3 Sekunden gedrückt.
5. Sie werden gefragt, ob Sie fortfahren und das Passwort auf die Vorgabe zurücksetzen wollen.
6. Drücken Sie zum Zurücksetzen die Taste F3.
7. Das Passwort wird nun auf **0000** zurückgesetzt.

<[Manuelles Zurücksetzen]>

Sollten Sie jemals die Werkseinstellungen wiederherstellen wollen, so sollten Sie die manuelle Rücksetzfunktion verwenden. Beachten Sie bitte, dass hierdurch ALLE Funktionen auf die Werksvorgaben zurückgesetzt werden.



Eingabefenster Passwortschutz



Eingabefenster Passwortschutz

6 Wartung und Instandhaltung

Das Hydromodul für den Inneneinsatz muss **einmal im Jahr** von einer qualifizierten Person gewartet werden. Wartung und Instandhaltung des Außengerätes sollten von einem geschulten Installateur von Mitsubishi Electric, der über einschlägige Qualifikationen und Erfahrungen verfügt, durchgeführt werden. Elektroarbeiten sollten von einem Fachmann mit geeigneten Qualifikationen auf dem Gebiet der

Elektrik durchgeführt werden. Instandhaltungsarbeiten oder Ausbesserungen 'in Eigenregie' durch eine nicht akkreditierte Person könnten die Gewährleistung unwirksam machen und/oder zu Schäden am Hydromodul und zu Verletzungen der Person führen.

■ Fehlercodes

Code	Fehler	Aktion
L3	Überhitzungsschutz Heizkreis	Die Strömungsgeschwindigkeit kann verringert sein. Prüfen Sie auf <ul style="list-style-type: none"> • Wasserleckage • Verstopfung der Schmutzfänger • Funktion der Heizkreispumpe (der Fehlercode kann während des Füllens des Primärkreises erscheinen; führen Sie das Füllen fort und setzen Sie den Fehlercode zurück).
L4	Überhitzungsschutz TWW-Speicher	Überprüfen Sie die elektrische Einschraubheizung (TWW) und ihren Schutzschalter.
L5	Ausfall Temperaturfühler Innengerät (THW1, THW2, THW5B, THW6, THW7, THW8, THW9)	Überprüfen Sie den Widerstand der Temperaturfühler.
L6	Frostschutz Heizkreis	Siehe Aktion für L3.
L8	Störung im Heizbetrieb	Prüfen und bringen Sie Temperaturfühler wieder an, die sich gelöst haben.
L9	Niedriger Volumenstrom im Primärkreis von Strömungswächter oder Strömungssensor erkannt (Strömungswächter 1, 2, 3)	Siehe Aktion für L3. Wenn der Strömungssensor oder Strömungswächter selbst nicht arbeitet, ersetzen Sie ihn. VORSICHT: Die Pumpenventile können heiß sein, seien Sie bitte vorsichtig.
LA	Ausfall Drucksensor	Überprüfen Sie das Kabel des Drucksensors auf Beschädigung bzw. ob sich die Verbindung gelöst hat.
LB	Hochdruckschutz	<ul style="list-style-type: none"> • Die Strömungsgeschwindigkeit des Heizkreises kann verringert sein. Prüfen Sie den Wasserkreis. • Der Plattenwärmetauscher könnte verstopft sein. Prüfen Sie den Plattenwärmetauscher. • Außeneinheit ausgefallen. Siehe Servicehandbuch für die Außeneinheit.
LC	Überhitzungsschutz Kesselkreis	Überprüfen Sie, ob die Einstelltemperatur des Kessels zum Heizen den Grenzwert übersteigt. (Siehe Handbuch für die Temperaturfühler „PAC-TH012HT-E“) Die Strömungsgeschwindigkeit des Heizkreises aus dem Kessel kann verringert sein. Überprüfen Sie auf <ul style="list-style-type: none"> • Wasserleckage • Verstopfung der Schmutzfänger • Funktion der Heizkreispumpen.
LD	Ausfall Temperaturfühler Kessel (THWB1)	Überprüfen Sie den Widerstand der Temperaturfühler.
LE	Störung des Kesselbetriebs	Siehe Aktion für L8. Überprüfen Sie den Status des Kessels.
LF	Ausfall Strömungssensor	Überprüfen Sie das Kabel des Strömungssensors auf Beschädigung bzw. ob sich die Verbindung gelöst hat.
LH	Frostschutz Kesselkreis	Die Strömungsgeschwindigkeit des Heizkreises aus dem Kessel kann verringert sein. Überprüfen Sie auf <ul style="list-style-type: none"> • Wasserleckage • Verstopfung der Schmutzfänger • Funktion der Heizkreispumpen.
LJ	Störung im TWW-Betrieb (Typ externe Platte HEX)	<ul style="list-style-type: none"> • Überprüfen Sie den Anschluss des unteren Wassertemperaturfühlers des Trinkwarmwasserspeichers (THW5B). • Die Strömungsgeschwindigkeit des Trinkwasserkreises kann verringert sein. • Überprüfen Sie die Funktion der Heizkreispumpen. (primär / Trinkwasser)
LL	Falsche Einstellungen der DIP-Schalter an FTC-Platine	Überprüfen Sie bei Kesselbetrieb, ob DIP SW1-1 auf ON (Mit Kessel) steht und DIP SW2-6 auf ON (Mit Pufferspeicher) steht. Überprüfen Sie bei Temperaturregelung 2 Heizkreise, ob DIP SW2-7 auf ON (Betrieb 2 HK) steht und DIP SW2-6 auf ON (Mit Pufferspeicher) steht.
LP	Außerhalb des Bereichs der Wasserfördermenge für Wärmepumpenaußengerät	Überprüfen Sie die Installationstabelle 4.3.1 Überprüfen Sie die Einstellungen der Fernbedienung (Servicemenü / W/P Bereich Volumenstrom) Siehe Aktion für L3.
P1	Temperaturfühler (Raumtemp.) (TH1) Ausfall	Überprüfen Sie den Widerstand des Temperaturfühlers.
P2	Temperaturfühler (Bez. Flüssigkeitstemp.) (TH2) Ausfall	Überprüfen Sie den Widerstand des Temperaturfühlers.
P6	Frostschutz des Plattenwärmetauschers	Siehe Aktion für L3. Überprüfen Sie die korrekte Kältemittelmenge.
J0	Kommunikation zwischen FTC und Funkempfänger gestört	Überprüfen Sie das Anschlusskabel auf Beschädigung bzw. ob sich die Verbindung gelöst hat.
J1 - J8	Kommunikation zwischen drahtlosem Empfänger und drahtloser Fernsteuerung gestört	Überprüfen Sie, ob die Batterie der Funkfernbedienung erschöpft ist. Überprüfen Sie das Zusammenwirken zwischen Funkempfänger und Funkfernbedienung. Prüfen Sie die drahtlose Kommunikation. (Siehe Handbuch des drahtlosen Systems)
E0 - E5	Kommunikation zwischen Hauptregler und FTC gestört	Überprüfen Sie das Anschlusskabel auf Beschädigung bzw. ob sich die Verbindung gelöst hat.
E6 - E8	Kommunikation zwischen FTC und Außengerät gestört	Überprüfen Sie, ob das Außengerät abgeschaltet wurde. Überprüfen Sie das Anschlusskabel auf Beschädigung bzw. ob sich die Verbindung gelöst hat. Siehe Servicehandbuch für das Außengerät.
E9	Außengerät empfängt kein Signal vom Innengerät.	Überprüfen Sie, ob beide Geräte eingeschaltet sind. Überprüfen Sie das Anschlusskabel auf Beschädigung bzw. ob sich die Verbindung gelöst hat. Siehe Servicehandbuch für das Außengerät.
EE	Kommunikationsfehler zwischen FTC und Außengerät	Überprüfen Sie die Kommunikation zwischen FTC und Außengerät.
U*, F*	Außengerät ausgefallen	Siehe Servicehandbuch für das Außengerät.
A*	M-NET-Kommunikationsfehler	Siehe Servicehandbuch für das Außengerät.

Hinweis: Zum Löschen von Fehlercodes schalten Sie bitte das System ab (drücken Sie die Taste F4 (RESET) am Hauptregler).

6 Wartung und Instandhaltung

Jährliche Wartung

Das Hydromodul muss mindestens einmal jährlich von einem Fachmann, der über die entsprechenden Qualifikationen verfügt, gewartet werden. Alle erforderlichen Teile MÜSSEN von Mitsubishi Electric bezogen werden (Sicherheitsaspekt). Umgehen Sie NIEMALS Sicherheitsvorrichtungen, oder betreiben Sie das Gerät nicht, wenn diese Einrichtungen nicht voll funktionsfähig sind. Näheres hierzu siehe Servicehandbuch.

Hinweise

- Entfernen und reinigen Sie in den ersten Monaten nach der Installation den Schmutzfänger des Hydromoduls und ggf. weitere Schmutzfängerelemente, die außerhalb des Hydromoduls montiert wurden. Das ist besonders bei Installationsarbeiten an einem alten/bestehenden Rohrleitungssystem wichtig.
- Das ÜDV-Ventil (Nr. 11 in Abbildung 3.3 und 3.4) sollte jährlich geprüft werden, indem der Knopf manuell gedreht wird, sodass das Medium abgelassen und somit der Dichtungssitz gereinigt wird.

Zusätzlich zu den jährlichen Wartungsarbeiten ist es notwendig, einige Bau-/Verschleißteile nach einer bestimmten Betriebsdauer des Systems auszutauschen oder zu inspizieren. Ausführliche Anweisungen siehe folgende Tabellen. Austausch und Inspektion von Teilen sollten stets von einer fachkundigen und einschlägig geschulten und qualifizierten Person durchgeführt werden.

Bauteile, die regelmäßig ausgetauscht werden müssen

Bauteil	Auszutauschen alle	Mögliche Störungen
Überdruckventil (3 bar) Entlüftung (autom./manuell) Manometer	6 Jahre	Undichtigkeit

Bauteile, die regelmäßig inspiziert werden müssen

Bauteil	Zu kontrollieren alle	Mögliche Störungen
Überdruckventil (3 bar) Temperatur- und Überdruckventil	1 Jahr (manuelles Drehen des Knopfes)	Das ÜDV wäre fixiert und das Ausdehnungsgefäß würde brechen
Elektrische Einschraubheizung (TWW)	2 Jahre	Fehlerstrom, der den Schutzschalter ansprechen lässt (Heizstab ist immer AUS)
Heizkreispumpe (Primärkreis)	20.000 Stunden (3 Jahre)	Versagen der Heizkreispumpen

Verschleißteile, die bei der Wartung NICHT wiederverwendet werden dürfen

- O-Ring
- Dichtung

Hinweis

- Tauschen Sie die Dichtung für eine Pumpe stets bei jeder regelmäßigen Wartung aus (alle 20.000 Stunden im Einsatz oder alle 3 Jahre).

Ingenieurformulare

Sollten Standardeinstellungen geändert werden, protokollieren Sie bitte die neue Einstellung in der Spalte 'Anlageneinstellung'. Dies erleichtert ein späteres Zurücksetzen, falls das System anders genutzt wird oder die Platine ausgetauscht werden muss.

Protokollblatt Inbetriebnahme/Anlageneinstellungen

Hauptreglerfenster		Parameter	Standard-einstellung	Anlagen-einstellung	Anmerkungen	
Haupt		Heizung Raumtemp. Heizkreis1	10°C - 30°C	20°C		
		Heizung Raumtemp. Heizkreis2 *14	10°C - 30°C	20°C		
		Heizung Vorlauftemp. Heizkreis1	20°C - 60°C	45°C		
		Heizung Vorlauftemp. Heizkreis2 *1	20°C - 60°C	35°C		
		Vorlauftemp. Kühlung Heizkreis1 *12	5°C - 25°C	15°C		
		Vorlauftemp. Kühlung Heizkreis2 *12	5°C - 25°C	20°C		
		Heizung Heizkurve Heizkreis1	-9°C - + 9°C	0°C		
		Heizung Heizkurve Heizkreis2 *1	-9°C - + 9°C	0°C		
Option		Urlaubsmodus	Aktiv/Nicht aktiv/Eingestellte Zeit	—		
		Vorrang TWW-Betrieb	Ein/Aus	—		
		TWW	Ein/Aus/Zeitprogramm	Ein		
		Heizen/Kühlen	Ein/Aus/Zeitprogramm	Ein		
Ein-stellung	TWW *13	Energiemonitoring	Verbrauchte elektrische Energie / Erzeugte Energie	—		
		Betriebsmodus	Normal/Eco *16	Normal		
		Max. Temp. TWW	40°C - 60°C *2	50°C		
		Temp.-Abfall TWW	5°C - 30°C	10°C		
		Max. Betriebsdauer TWW	30 - 120 Minuten	60 Minuten		
		Einschränkung TWW-Modus	30 - 120 Minuten	30 Minuten		
		Auffüllen TWW	Reichlich/Standard	Reichlich *19		
	Legionellenprogramm *13	Aktiv	Ja/Nein	Ja		
		Warmwassertemp.	60°C - 70°C *2	65°C		
		Häufigkeit	1 - 30 Tage	15 Tage		
		Startzeit	00.00 - 23.00	03.00		
		Max. Betriebsdauer	1 - 5 Stunden	3 Stunden		
		Dauer bei max. Temp.	1 - 120 Minuten	30 Minuten		
	Heizen/Kühlen *12	Betriebsmodus Heizkreis 1	Heizung Raumtemp./ Heizung Vorlauftemp./ Heizung Heizkurve/ Kühlung Vorlauftemp.	Raumtemp.		
		Betriebsmodus Heizkreis 2 *1	Heizung Raumtemp./ Heizung Vorlauftemp./ Heizung Heizkurve/ Kühlung Vorlauftemp.	Heizkurve		
	Heizkurve	Vorlauftemperatur oberer Sollwert	Außentemp. Heizkreis 1	-30°C - +33°C *3	-15°C	
			Vorlauftemp. Heizkreis 1	20°C - 60°C	50°C	
			Außentemp. Heizkreis 2 *1	-30°C - +33°C *3	-15°C	
Vorlauftemp. Heizkreis 2 *1			20°C - 60°C	40°C		
Vorlauftemperatur unterer Sollwert		Außentemp. Heizkreis 1	-28°C - +35°C *4	35°C		
		Vorlauftemp. Heizkreis 1	20°C - 60°C	25°C		
		Außentemp. Heizkreis 2 *1	-28°C - +35°C *4	35°C		
		Vorlauftemp. Heizkreis 2 *1	20°C - 60°C	25°C		
Anpassung		Außentemp. Heizkreis 1	-29°C - +34°C *5	—		
		Vorlauftemp. Heizkreis 1	20°C - 60°C	—		
		Außentemp. Heizkreis 2 *1	-29°C - +34°C *5	—		
		Vorlauftemp. Heizkreis 2 *1	20°C - 60°C	—		

■ Ingenieurformulare

Protokollblatt Inbetriebnahme/Anlageneinstellungen

Hauptreglerfenster			Parameter	Standard-einstellung	Anlagen-einstellung	Anmer-kungen		
Ein-stellung	Urlaub	TWW *13	Aktiv / Nicht aktiv	Nicht aktiv				
		Heizen/Kühlen *12	Aktiv / Nicht aktiv	Aktiv				
		Raumtemp. Heizung Heizkreis 1	10°C - 30°C	15°C				
		Raumtemp. Heizung Heizkreis 2 *14	10°C - 30°C	15°C				
		Vorlauftemp. Heizung Heizkreis 1	20°C - 60°C	35°C				
		Vorlauftemp. Heizung Heizkreis 2 *1	20°C - 60°C	25°C				
		Vorlauftemp. Kühlung Heizkreis 1 *12	5°C - 25°C	25°C				
	Grundeinstellungen	Sprache	EN/FR/DE/SV/ES/IT/DA/NL/FI/NO/PT/BG/PL/CZ/RU/TR/SL	EN				
		°C/°F	°C/°F	°C				
		Sommerzeit	Ein/Aus	Aus				
Servicemenü	Anpassung der Temperaturfühler	THW1	-10°C - +10°C	0°C				
		THW2	-10°C - +10°C	0°C				
		THW5B	-10°C - +10°C	0°C				
		THW6	-10°C - +10°C	0°C				
		THW7	-10°C - +10°C	0°C				
		THW8	-10°C - +10°C	0°C				
		THW9	-10°C - +10°C	0°C				
		THW10	-10°C - +10°C	0°C				
		THWB1	-10°C - +10°C	0°C				
		Zusatz-einstellungen	Economy-Einstellung für Pumpe	Verzögerung (3 - 60 Minuten)	Ein/Aus *6	Ein		
Elektroheizung (Heizbetrieb)	Raumheizung: Ein (genutzt)/Aus (nicht genutzt)			10 Minuten				
Verzögerungsschaltung Elektroheizung (5 - 180 Minuten)	Ein			30 Minuten				
Elektroheizung (TWW) *13	Elektroheizstab			TWW: Ein (genutzt)/Aus (nicht genutzt)	Ein			
	Elektrische Einschraubheizung			TWW: Ein (genutzt)/Aus (nicht genutzt)	Ein			
Verzögerungsschaltung Elektroheizung(15 - 30 Minuten)	Ein			15 Minuten				
Mischventilsteuerung	In Betrieb (10 - 240 Sekunden)			Ein	120 Sekunden			
	Intervall (1 - 30 Minuten)			Ein	2 Minuten			
Strömungssensor *18	Minimum (0 - 100 L/min)			Ein	5 L/min			
	Maximum (0 - 100 L/min)			Ein	100 L/min			
Analoger Ausgang	Intervall (1 - 30 Minuten)	Ein	5 Minuten					
	Priorität (Normal/Hoch)	Ein	Normal					
Pumpendrehzahl	DHW	Pumpendrehzahl (1 - 5)	5					
	Heizen/Kühlen	Pumpendrehzahl (1 - 5)	5					
Einstellung Wärmequelle	Wärmepumpeneinstellungen	Standard/Heizstab/Kessel/Hybrid *7	Standard					
		W/P Bereich Volumenstrom	Minimum (0 - 100 L/min)	5 L/min				
			Maximum (0 - 100 L/min)	100 L/min				
		Schallreduzierter Betrieb	Tag (Mo. - So.)	—				
			Zeitprogramm	0:00 - 23:45				
			Leise Stufe (Normal/ Stufe 1/ Stufe 2)	Normal				
		Betriebeinstellungen	Heizbetrieb *8	Temperaturbereich Vorlauf *10	Min. Temp. (20 - 45°C) Max. Temp. (35 - 60°C)	30°C 50°C		
				Regelung Raumtemperatur *15	Modus (Normal/Stark)	Normal		
				Anpassung Wärmepumpe Temperatur-differenz	Ein/Aus *6	Ein		
				Untergrenze (-9 - -1°C)	-5°C			
Obergrenze (+3 - +5°C)	5°C							
Frostschutzfunktion *11	Außentemp. (3 - 20°C) / **		5°C					
Simultanbetrieb (TWW/Heizung)	Ein/Aus *6		Aus					
	Außentemp. (-30 - +10°C) *3		-15°C					
Bivalenzbetrieb	Ein/Aus *6		Aus					
	Außentemp. (-30 - +10°C) *3		-15°C					
Kesselbetrieb	Hybrideinstellungen	Außentemp. (-30 - +10°C) *3	-15°C					
		Priorität (Außentemp./Kosten/CO ₂)*17	Außentemp.					
		Anstieg Außentemperatur (+1 - +5°C)	+3°C					
	Intelligente Einstellungen	Energiepreis *9	Elektrizität (0,001 - 999 *kWh)	0,5 *kWh				
			Kessel (0,001 - 999 *kWh)	0,5 *kWh				
		CO ₂ -Emission	Elektrizität (0,001 - 999 kg -CO ₂ /kWh)	0,5 kg -CO ₂ /kWh				
			Kessel (0,001 - 999 kg -CO ₂ /kWh)	0,5 kg -CO ₂ /kWh				
Wärmequelle	Wärmepumpenleistung (1 - 40 kW)	11,2 kW						
	Kesselwirkungsgrad (25 - 150%)	80%						
	Leistung Elektroheizstab 1 (0 - 30 kW)	2 kW						
Leistung Elektroheizstab 2 (0 - 30 kW)	4 kW							

6 Wartung und Instandhaltung

Ingenieurformulare

Protokollblatt Inbetriebnahme/Anlageneinstellungen

Hauptreglerfenster				Parameter	Standard-einstellung	Anlagen-einstellung	Anmer-kungen		
Ein-stellung	Servicemenü	Betriebseinstellungen	Smart Grid Ready	Trinkwarmwas-ser	Ein/Aus	Aus			
				Heizen	Solltemperatur (+1- +20°C) / -- (Nicht aktiv)	--			
					Ein/Aus	Aus			
					Solltemp.	Empfehlung zum Einschalten (20 - 60°C)	50°C		
				Kühlen	Befehl zum Einschalten (20 - 60°C)	55°C			
					Ein/Aus	Aus			
					Solltemp.	Empfehlung zum Einschalten (5 - 25°C)	15°C		
				SG-Ready Pumpeninterva-ll	Befehl zum Einschalten (5 - 25°C)	10°C			
					Heizen (Ein/Aus)	Ein			
					Kühlen (Ein/Aus)	Ein			
				Estrich-trocknungsfunktion	Messintervall (10-120 Minuten)	10 min			
					Ein/Aus *6	Aus			
			Solltemp.		Start&Ende (20 - 60°C)	30°C			
					Max. Temp. (20 - 60°C)	45°C			
					Max. Temp.-Dauer (1 - 20 Tage)	5 Tage			
			Vorlauf-temp. (Erhöhung)		Schritt Temp.-Erhöhung (+1 - +10°C)	+5°C			
					Intervall vergrößern (1 - 7 Tage)	2 Tage			
			Vorlauf-temp. (Absenkung)		Schritt Temp.-Absenkung (-1 - -10°C)	-5°C			
					Intervall verkleinern (1 - 7 Tage)	2 Tage			
			Umschaltung Sommerbetrieb		Ein/Aus	Aus			
				Außentemperatur	Heizen Ein (4-19°C)	10°C			
					Heizen Aus (5-20°C)	15°C			
				Dämpfungzeit	Heizen Ein (1 - 48 Tage)	6 Stunden			
				Außentemperatur	Heizen Aus (1 - 48 Tage)	6 Stunden			
					Vorrang Heizen EIN (-30 - 10°C)	5°C			
			Einstellungen Energie-monitoring	Volumenstromsteuerung	Ein/Aus	Aus			
					Leistung Elektroheizung	Leistung Elektroheizstab 1	0 - 30 kW	2 kW	
						Leistung Elektroheizstab 2	0 - 30 kW	4 kW	
						Leistung elektrische Einschraub-heizung	0 - 30 kW	0 kW	
						Analoger Aus-gang	0 - 30kW	0kW	
				Anpassung erzeugte Energie	-50 - +50%	0%			
				Eingang Wasserpumpe	Pumpe 1	0 - 200 W oder *** (vormontierte Pumpe)	***		
Pumpe 2	0 - 200 W	0 W							
Pumpe 3	0 - 200 W	0 W							
Pumpe 4 *19	0 - 200 W	72 W							
Stromzähler	0,1/1/10/100/1000 Impulse/kWh	1 Impuls/kWh							
Wärmemengenzähler	0,1/1/10/100/1000 Impulse/kWh	1 Impuls/kWh							
Einstellungen externe Eingänge	Bedarfssteuerung (IN4)	Heizquelle AUS / Kesselbetrieb	Kesselbetrieb						
	Außenthermostat (IN5)	Betrieb Heizstab / Kesselbetrieb	Kesselbetrieb						
Thermo EIN Ausgang	Heizkreis 1/Heizkreis 2/Heizkreis 1&2	Heizkreis 1&2							

*1 Die Einstellungen bezüglich Heizkreis 2 können nur dann umgeschaltet werden, wenn die Temperaturregelung für 2 Heizkreise aktiviert ist (wenn DIP SW 2-6 und SW 2-7 auf ON stehen).

*2 Bei Gerätetypen ohne Elektroheizstab und elektrische Einschraubheizung wird je nach Außentemperatur die eingestellte Temperatur möglicherweise nicht erreicht.

*3 Die Untergrenze beträgt -15°C je nach angeschlossenem Außengerät.

*4 Die Untergrenze beträgt -13°C je nach angeschlossenem Außengerät.

*5 Die Untergrenze beträgt -14°C je nach angeschlossenem Außengerät.

*6 Ein: Funktion ist aktiv; Aus: Funktion ist nicht aktiv.

*7 Wenn DIP SW1-1 auf OFF „OHNE Kessel“ steht oder SW2-6 auf OFF „OHNE Mischbehälter“ steht, kann weder Kessel noch Hybrid ausgewählt werden.

*8 Gilt nur bei Betrieb im Raumtemperaturregelmodus.

*9 „**“ in „*/kWh“ steht für Währungsbetrag (z.B. €, £ oder dergleichen)

*10 Gilt nur bei Betrieb im Heizmodus Raumtemperatur.

*11 Bei Wahl von Sternchen (**) ist die Frostschutzfunktion deaktiviert. (d.h. Gefahr, dass Primärwasser einfriert)

*12 Kühlmoduseinstellungen sind nur für Gerätetyp ERS * verfügbar.

*13 Nur verfügbar, wenn im System ein TWW-Speicher vorhanden ist.

*14 Die Einstellungen in Bezug auf Heizkreis 2 können nur dann umgeschaltet werden, wenn Temperaturregelung 2 Heizkreise oder EIN/AUS-Regelung mit 2 Heizkreisen aktiv ist.

*15 Wenn DIP SW5-2 auf OFF gestellt ist, ist die Funktion aktiviert.

*16 Wenn das Hydromodul an ein PUMY-P-Außengerät angeschlossen wird, ist der Modus fest auf „Normal“ eingestellt.

*17 Wenn das Hydromodul an ein PUMY-P-Außengerät angeschlossen wird, ist der Modus fest auf „Umgebung“ eingestellt.

*18 Ändern Sie die Einstellung nicht, denn sie entspricht der Spezifikation des am Hydromodul angebaute Strömungswächters.

*19 Diese Einstellung ist nur für Zylindermodule gültig.

de

Table des matières

1. Avis de sécurité 2
 2. Introduction 3
 3. Informations techniques 4
 4. Installation 11
 4.1 Emplacement..... 11
 4.2 Qualité de l'eau et préparation du système..... 13
 4.3 Tuyauterie d'eau 14
 4.4 Connexion électrique..... 16
 5. Configuration du système 18
 5.1 Fonction des commutateurs DIP 18
 5.2 Connexion des entrées/sorties..... 19
 5.3 Câblage pour le contrôle de la température sur 2 zones ... 20
 5.4 Fonctionnement du module hydraulique uniquement (pendant les travaux d'installation) 21
 5.5 Utilisation d'une carte mémoire SD..... 21
 5.6 Télécommande principale 22
 6. Entretien et maintenance 29



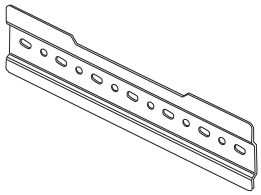
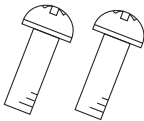
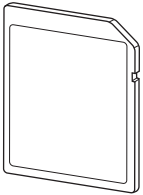
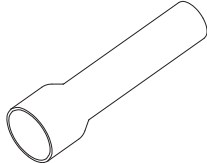
<http://www.mitsubishielectric.com/ldg/ibim/>

Si vous souhaitez obtenir des informations supplémentaires qui ne sont pas contenues dans ce manuel, rendez-vous sur le site Web ci-dessus pour télécharger des manuels, sélectionnez le nom du modèle, puis choisissez la langue.

Table des matières du manuel sur le site Web

- Contrôleur d'énergie
- Thermostat d'ambiance
- Remplissage du système
- Système simple sur 2 zones
- Source d'alimentation électrique indépendante
- Réseau électrique intelligent
- Ballon d'ECS pour Ecodan hydrobox
- Options de la télécommande
- Menu Maintenance (réglage spécial)
- Informations supplémentaires

fr

Accessoires (fournis)			
Plaque arrière	Vis M5x8	Carte mémoire SD	Tuyau de raccord *
			
1	2	1	1

* Seulement pour la série E*SE

Abréviations et glossaire

N°	Abréviations/Mot	Description
1	Mode Courbe Loi d'eau	Chauffage incorporant la Loi d'eau de la température extérieure
2	COP	Coefficient de performance indiquant le rendement de la pompe à chaleur
3	Mode de refroidissement	Climatisation des locaux par ventilo-convecteur ou refroidissement sous plancher
4	Mode ECS	Mode de chauffage eau chaude sanitaire pour les douches, les éviers etc
5	Température de départ d'eau	Température à laquelle l'eau est délivrée au circuit primaire
6	Fonction antigel	Routine de contrôle du chauffage pour éviter le gel des canalisations d'eau
7	FTC	Régulateur de température de départ d'eau, carte de circuit imprimé chargée de contrôler le système
8	Mode de chauffage	Chauffage par radiateurs ou plancher chauffant
9	Ecodan hydrobox	Modules hydrauliques chauffage seul
10	Legionelle	Bactérie susceptible de se trouver dans les tuyauteries, les douches et les ballons d'eau et pouvant provoquer la maladie du légionnaire
11	Mode CT	Mode choc thermique: fonction disponible sur les systèmes équipés de ballons d'eau afin d'éviter la croissance des bactéries légionelles
12	Modèle Package	Échangeur à plaques (fluide frigorigène - eau) dans l'unité extérieure de la pompe à chaleur
13	PRV	Soupape de sécurité
14	Température de retour	Température à laquelle est délivrée l'eau à partir du circuit primaire
15	Modèle Split	Échangeur à plaque (fluide frigorigène - eau) dans le module hydraulique
16	VTR	Vanne thermostatique de radiateur : vanne sur l'entrée ou la sortie du panneau de radiateur pour contrôler l'émission de chaleur
17	MR	Télécommande principale
18	R1-8	Télécommande sans fil
19	T1	Sonde de température filaire

*module hydraulique

1 Avis de sécurité

Lisez attentivement les précautions suivantes relatives à la sécurité.





⚠ AVERTISSEMENT :
Précautions à respecter afin d'éviter des blessures graves ou mortelles.

⚠ ATTENTION :
Précautions à respecter afin d'éviter d'endommager l'unité.

Ce manuel d'installation, ainsi que manuel de l'utilisateur, doivent être remis avec le produit après l'installation afin de pouvoir s'y référer ultérieurement. Mitsubishi Electric n'est pas responsable en cas de défaillance des pièces fournies localement et sur le site.

- Veuillez à respecter la maintenance périodique.
- Veuillez à respecter votre réglementation locale.
- Veuillez à respecter les instructions données dans ce manuel.

SIGNIFICATION DES SYMBOLES AFFICHÉS SUR L'UNITÉ

	AVERTISSEMENT (Risque d'incendie)	Ce symbole est utilisé uniquement pour le réfrigérant R32. Le type de réfrigérant est indiqué sur la plaque signalétique de l'appareil extérieur. Si le type de réfrigérant est le R32, cet appareil utilise un réfrigérant inflammable. Si le réfrigérant fuit et entre en contact avec une flamme ou une pièce chaude, il produira un gaz toxique et un incendie risque de se déclencher.
		Veillez lire le MANUEL D'INSTALLATION avec soin avant utilisation.
		Le personnel d'entretien est tenu de lire avec soin le MANUEL D'UTILISATION et le MANUEL D'INSTALLATION avant utilisation.
		De plus amples informations sont disponibles dans le MODE D'EMPLOI, le MANUEL D'INSTALLATION et les autres documents associés.

⚠ ⚠ AVERTISSEMENT

Partie mécanique

- L'Ecodan hydrobox et l'unité extérieure ne doivent pas être installés, démontés, déplacés, modifiés ou réparés par l'utilisateur. Pour cela, adressez-vous à un installateur ou un technicien agréé. Si l'unité est installée de manière incorrecte ou modifiée après son installation, cela risque d'entraîner une fuite d'eau, un choc électrique ou un incendie.
- L'unité extérieure doit être fixée solidement sur une surface de niveau rigide capable de supporter son poids.
- L'Ecodan hydrobox doit être positionné sur une surface de niveau rigide capable de supporter son poids afin d'éviter un bruit trop important ou des vibrations excessives.
- Ne placez pas des meubles ou des appareils électriques sous l'unité extérieure ou l'Ecodan hydrobox.
- Les tuyauteries de refoulement des dispositifs d'urgence de l'Ecodan hydrobox doivent être installées conformément à la réglementation locale.
- Utilisez uniquement des accessoires et des pièces de rechange agréés par Mitsubishi Electric, consultez un technicien agréé pour déterminer les pièces.

Partie électrique

- Tous les travaux électriques doivent être effectués par un technicien qualifié conformément à la réglementation locale et aux instructions données dans ce manuel.
- Les unités doivent être alimentées par une alimentation électrique spécifique fournissant la tension correcte et disposer de disjoncteurs adaptés.
- Le câblage doit être réalisé conformément à la réglementation nationale concernant le câblage. Les connexions doivent être réalisées fermement et sans tension sur les bornes.
- Réalisez une mise à la terre correcte de l'unité.

Généralités

- Maintenez les enfants et les animaux domestiques à distance de l'Ecodan hydrobox et de l'unité extérieure.
- N'utilisez pas l'eau chaude produite par la pompe à chaleur directement pour boire ou pour cuisiner. Cela risquerait de rendre malade l'utilisateur.
- Ne vous tenez pas debout sur les unités.
- Ne touchez pas les interrupteurs avec des mains humides.
- Les vérifications pour la maintenance annuelle sur l'Ecodan hydrobox et l'unité extérieure doivent être effectuées par une personne qualifiée.
- Ne placez pas de containers contenant des liquides en haut de l'Ecodan hydrobox. S'ils fuient ou se renversent sur l'Ecodan hydrobox, cela risque d'endommager l'unité ou de provoquer un incendie.
- Ne placez pas des éléments lourds en haut de l'Ecodan hydrobox.
- Lorsque vous installez, déplacez ou effectuez l'entretien de l'Ecodan hydrobox, utilisez exclusivement le fluide frigorigène spécifié de la pompe à chaleur pour remplir les conduites de fluide frigorigène. Ne le mélangez avec aucun autre fluide frigorigène et empêchez l'air de rester dans les conduites. Si de l'air est mélangé avec le fluide frigorigène, cela peut provoquer une surpression anormale dans la conduite de fluides frigorigènes et risque d'entraîner une explosion ou d'autres situations dangereuses. L'utilisation d'un fluide frigorigène différent de celui spécifié dans le système provoquera une défaillance mécanique, un dysfonctionnement du système ou la panne de l'unité. Dans le pire des cas, cela peut conduire à un sérieux obstacle dans la garantie de sécurité du produit.
- En mode de chauffage, afin d'éviter que les émetteurs de chaleur soient endommagés par une eau excessivement chaude, réglez la température de départ d'eau sur une valeur minimale de 2 °C en dessous de la température maximale admissible de tous les émetteurs de chaleur. Pour la Zone2, réglez la température de départ d'eau sur une valeur minimale de 5 °C en dessous de la température de départ d'eau maximale admissible de tous les émetteurs de chaleur du circuit de la Zone2.
- N'installez pas l'unité dans un lieu où sont susceptibles de se produire une fuite, une production, un écoulement ou une accumulation de gaz combustibles. L'accumulation de gaz combustible autour de l'unité risque de provoquer un incendie ou une explosion.
- Ne faites usage d'aucun moyen visant à accélérer le processus de dégivrage ou à nettoyer autre que ceux recommandés par le fabricant.
- L'appareil doit être stocké dans une pièce qui ne contient pas de sources de feu en cours de fonctionnement (par exemple : flamme nue, appareil de gaz ou chauffage électrique en cours de fonctionnement).
- Ne percez pas et ne brûlez pas l'appareil.
- Veillez noter qu'il se peut que les fluides frigorigènes n'aient aucune odeur.
- La tuyauterie doit être protégée contre les dommages matériels.
- L'installation de la tuyauterie doit être réduite le plus possible.
- Les réglementations nationales sur les gaz doivent être respectées.
- Gardez les ouvertures de ventilation libres d'obstruction.
- N'utilisez pas d'alliage de soudure à basse température pour le brasage des tuyaux de fluides frigorigènes.

1 Avis de sécurité

⚠ ATTENTION

Utilisez de l'eau propre satisfaisant aux normes de qualité locale pour le circuit primaire.

L'unité extérieure doit être installée dans une zone disposant d'un débit d'air suffisant, conformément au schéma du manuel d'installation de l'unité extérieure.

L'Ecodan hydrobox doit être disposé à l'intérieur afin de minimiser les pertes thermiques.

Les canalisations d'eau sur le circuit primaire entre l'unité extérieure et le module hydraulique doivent être réduites le plus possible afin de diminuer les pertes thermiques.

Assurez-vous que les condensats provenant de l'unité extérieure sont déviés de la base afin d'éviter les flaques d'eau.

Éliminez le plus d'air possible du circuit d'eau.

Une fuite de fluide frigorigène peut provoquer une suffocation. Aménagez une ventilation conformément à la norme EN378-1.

Veillez à entourer la tuyauterie avec des matériaux isolants. Un contact direct avec la tuyauterie nue peut provoquer des brûlures ou des gelures.

Ne mettez sous aucun prétexte les piles dans la bouche afin d'éviter une ingestion accidentelle.

L'ingestion d'une pile peut provoquer une suffocation ou un empoisonnement.

Si l'Ecodan hydrobox doit être arrêté (ou si le système doit être arrêté) pendant une durée prolongée, il est nécessaire de vidanger l'eau.

Des mesures préventives doivent être prises pour éviter le coup de bélier, en installant par exemple un dispositif anti-bélier sur le circuit d'eau primaire, comme indiqué par le constructeur.

Pour éviter la condensation sur les émetteurs, réglez correctement la température de départ d'eau et réglez également la limite inférieure de la température de départ d'eau sur site.

Concernant le fluide frigorigène, veuillez consulter le manuel d'installation de l'unité extérieure.

2 Introduction

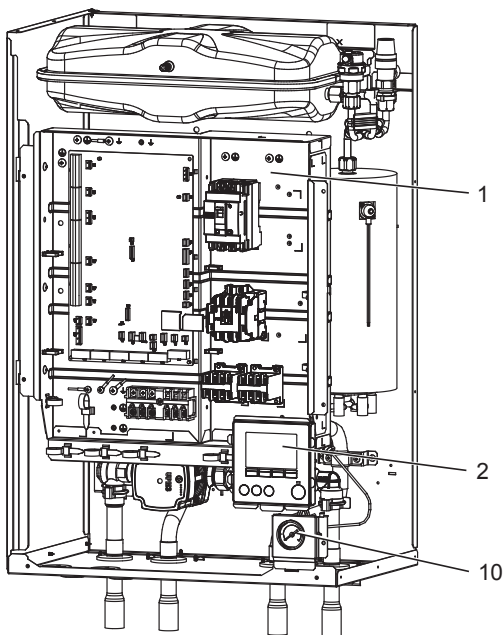
L'objet de ce manuel d'installation est de donner aux personnes compétentes des instructions sur la manière d'installer de manière sûre et efficace le système Ecodan hydrobox et de le mettre en service. Ce manuel s'adresse aux plombiers ou techniciens en réfrigération compétents ayant participé à la formation

exigée sur les produits Mitsubishi Electric et l'ayant validée, et qui disposent des qualifications appropriées et spécifiques à leur pays pour l'installation d'un Ecodan hydrobox à eau chaude non ventilé.

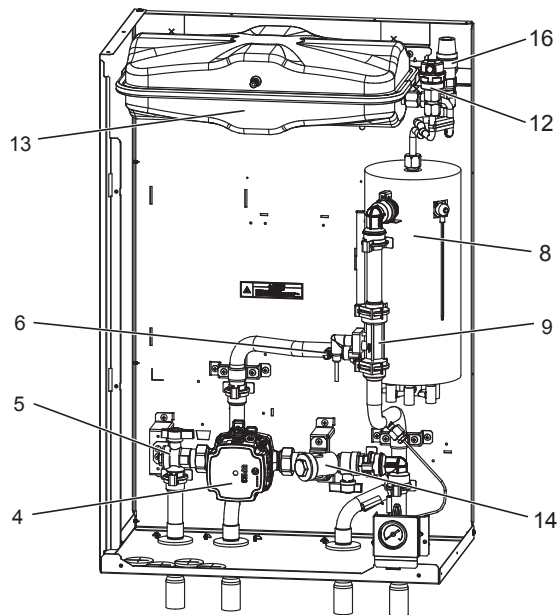
3 Informations techniques

■ Éléments constitutifs

<EHPX-*M*D> (Système modèle Package)

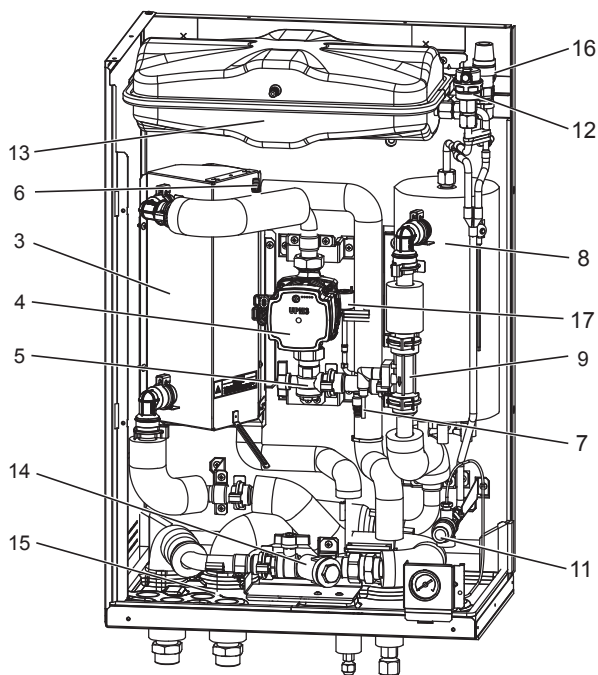


<Figure 3.1>



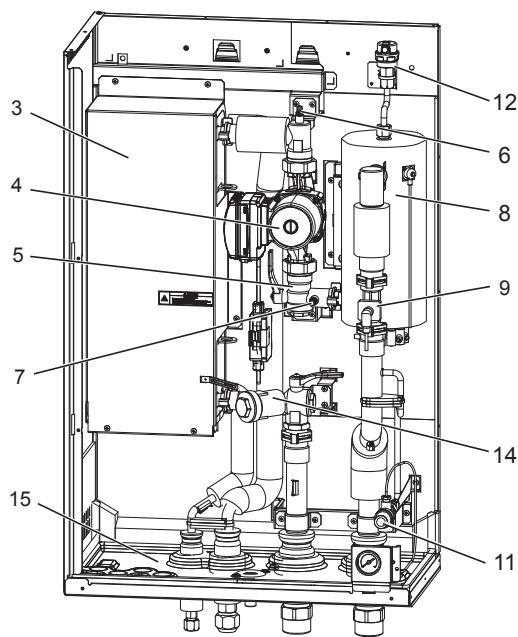
<Figure 3.2>

<E*S*-*M**D> (Système modèle Split)



<Figure 3.3>

<E*SE-*M*ED>



<Figure 3.4>

N°	Nom de la pièce	EHPX-*M*(E)D	EHS*-MED	EHS*-M*D	EHS*-YM9ED	ERS*-M*(E)D	ERS*-MED
1	Boîtier électrique de commande	✓	✓	✓	✓	✓	✓
2	Télécommande principale	✓	✓	✓	✓	✓	✓
3	Échangeur à plaque (fluide frigorigène - eau)	-	✓	✓	✓	✓	✓
4	Pompe de circulation de l'eau 1	✓	✓	✓	✓	✓	✓
5	Vanne de pompe	✓	✓	✓	✓	✓	✓
6	Purgeur d'air (Manuel)	-	✓	✓	✓	✓	✓
7	Vanne de purge (circuit primaire)	✓	✓	✓	✓	✓	✓
8	Appoint électrique 1, 2	✓	-	✓	✓	✓	-
9	Débitmètre	✓	✓	✓	✓	✓	✓
10	Manomètre	✓	✓	✓	✓	✓	✓
11	Soupape de sécurité (3 bars)	-	✓	✓	✓	✓	✓
12	Purgeur d'air automatique	✓	✓	✓	✓	✓	✓
13	Vase d'expansion	✓*1	-	✓	-	✓*2	-
14	Vanne filtre	✓	✓	✓	✓	✓	✓
15	Bac de récupération	-	-	-	-	✓	✓
16	Soupape de sécurité (5 bars)	✓*1	-	✓	-	✓*2	-
17	Sonde de pression	-	✓*3	✓*3	✓*3	✓*3	✓*3

<Tableau 3.3>

Remarque :

Pour l'installation de tous les modèles E***.*M*ED, assurez-vous d'installer un vase d'expansion de dimensions appropriées côté primaire et une PRV supplémentaire afin d'éviter que le vase d'expansion explose sur site. (Voir figures 3.5 ~ 3.6 et 4.3.10 pour des recommandations supplémentaires)

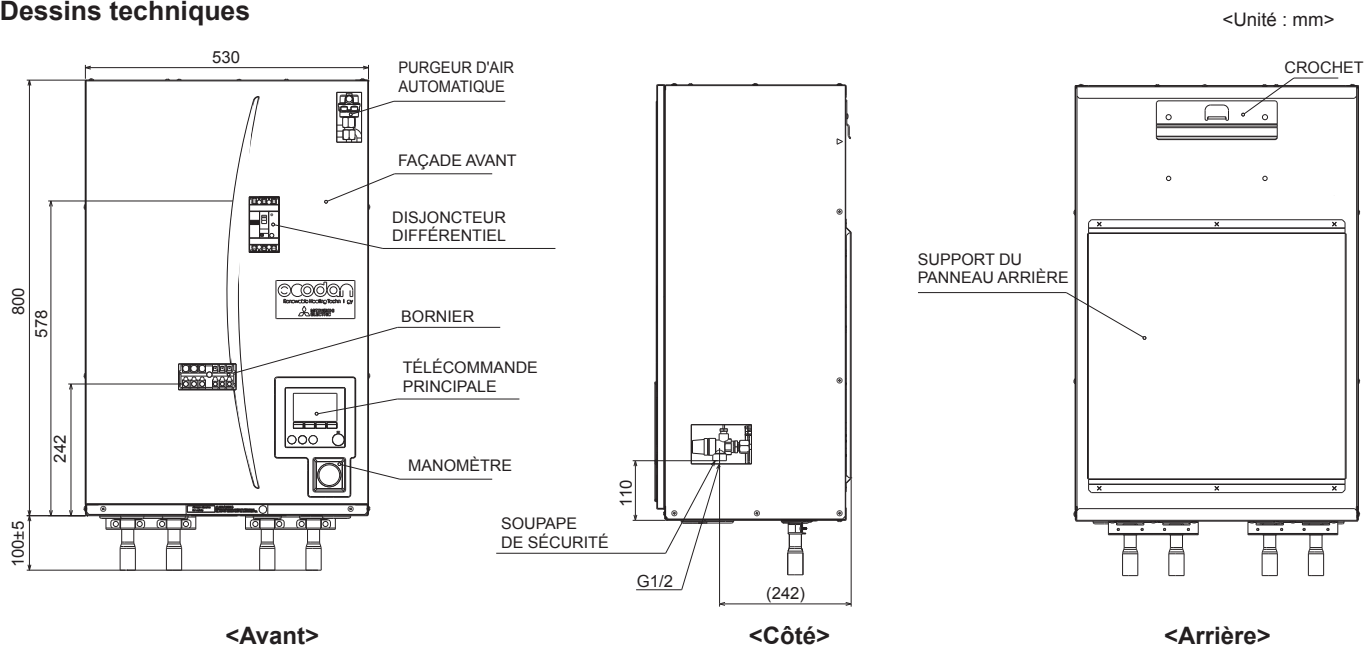
*1 EHPX-YM9ED et EHPX-MED ne sont pas inclus.

*2 ERSE-YM9ED n'est pas inclus.

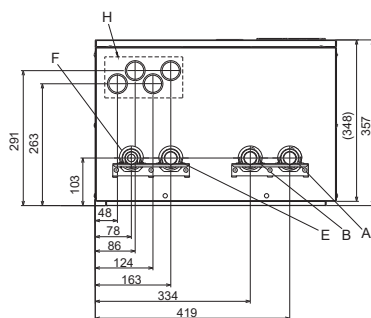
*3 Modèle 2HP (E*SD) seulement.

3 Informations techniques

■ Dessins techniques



<EHPX> (Système modèle Package)



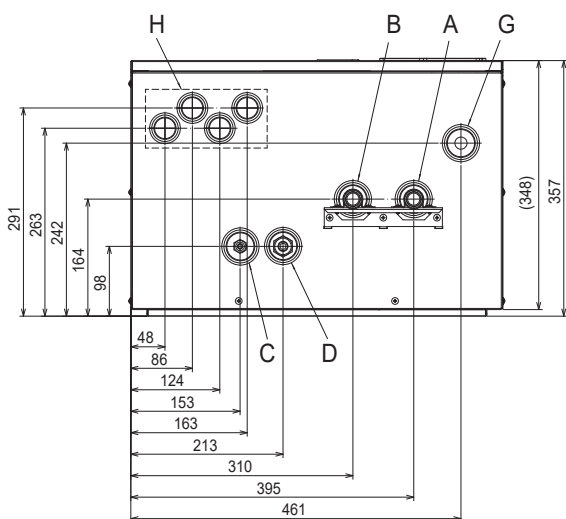
<Vue de dessous>

Lettre	Description du tuyau	Taille/Type de raccord	
A	Raccord retour chauffage/ ballon indirect eau chaude (primaire)	Réduction de 28 mm (EH**.*) Écrou G1 (ERS**.)	
B	Raccord débit chauffage/ ballon indirect eau chaude (primaire)	Réduction de 28 mm (EH**.*) Écrou G1 (ERS**.)	
C	Fluide frigorigène (liquide)	6,35 mm/Évasé (E*SD*.) 9,52 mm/Évasé (E*SC*.)	⚠ Avertissement • Le raccord des tuyaux de fluide frigorigène doit être accessible pour la maintenance. • Si vous raccordez à nouveau les tuyaux de fluide frigorigène après les avoir détachés, faites refaire la partie évasée des tuyaux.
D	Fluide frigorigène (gaz)	12,7 mm/Évasé (E*SD*.) 15,88 mm/Évasé (E*SC*.)	
E	Raccord débit provenant de la pompe à chaleur	Réduction de 28 mm (EHPX*.)	
F	Raccord retour vers la pompe à chaleur	Réduction de 28 mm (EHPX*.)	
G	Tuyau d'évacuation (par l'installateur) depuis la soupape de sécurité de pression	G1/2" femelle (orifice de passage dans le caisson de l'Ecodan hydrobox)	
H	Passages de câbles électriques	Pour les entrées ① et ②, faites passer les fils haute tension, y compris le câble d'alimentation, le câble intérieur-extérieur et les fils de sorties externes. Pour les entrées ③ et ④, faites passer les fils basse tension, y compris les fils d'entrées externes et les fils des thermistances. Pour le câble d'un récepteur sans fil (en option), utilisez l'entrée ④.	
I	Douille de purge	D.E. ø20	

<Tableau 3.4>

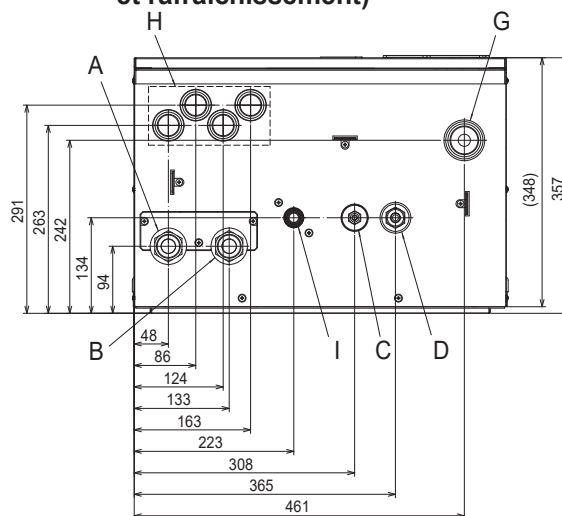
3 Informations techniques

<EHS*> (Système modèle Split)



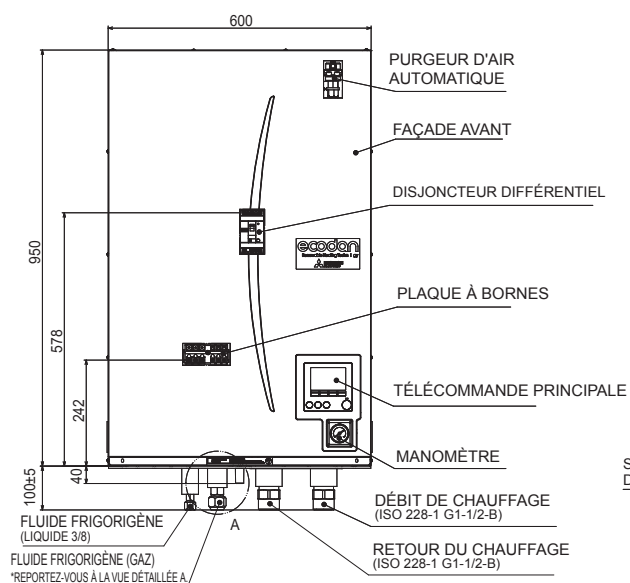
<Vue de dessous>

<ERS*> (Système modèle Split pour chauffage et rafraîchissement)

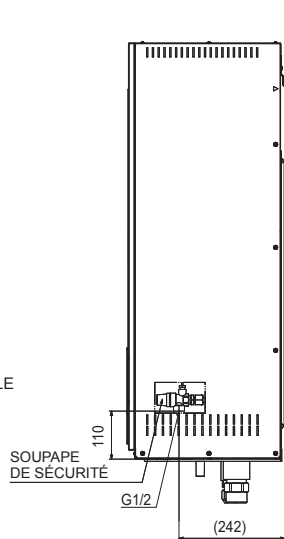


<Vue de dessous>

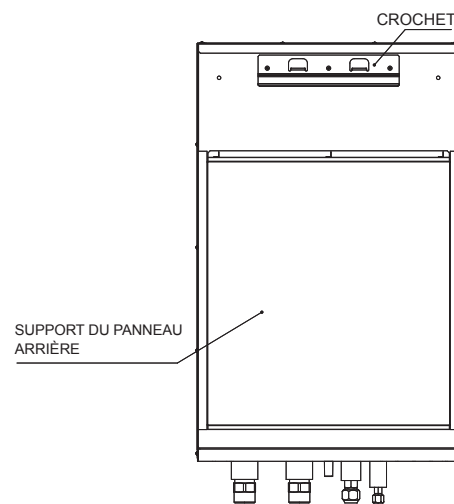
<E*SE> (Système de chauffage/chauffage et rafraîchissement)



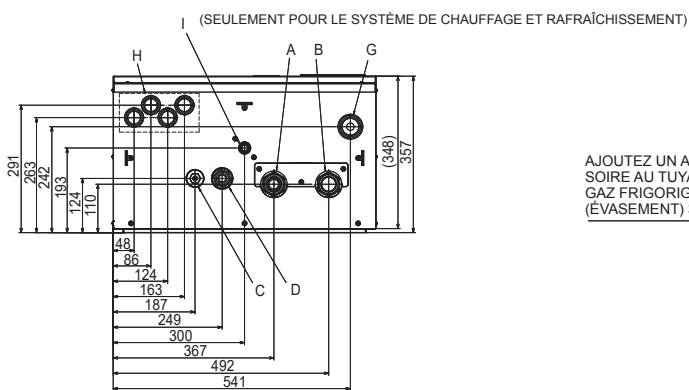
<Avant>



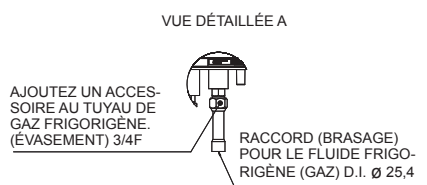
<Côté>



<Arrière>



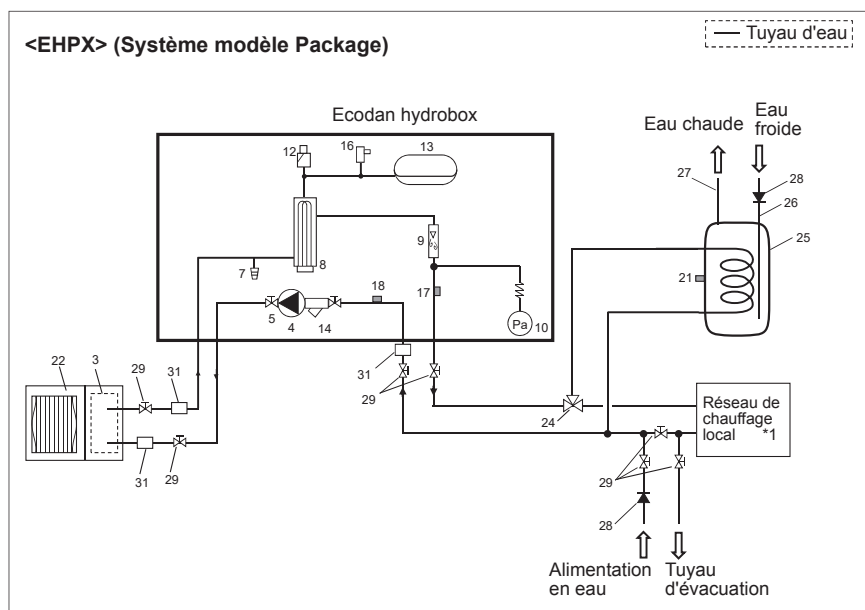
<Vue de dessous>



fr

3 Informations techniques

■ Schéma du circuit d'eau



<Figure 3.5>

Remarques

- Veillez à respecter la réglementation locale pour effectuer la configuration du système de raccords d'eau chaude.
- Les raccords d'eau chaude ne sont pas fournis avec l'Ecodan hydrobox. Toutes les pièces requises doivent être de fourniture locale.
- Pour permettre la purge de l'Ecodan hydrobox, un robinet d'isolement doit être positionné à la fois sur l'entrée et la sortie de la tuyauterie.
- Veillez à installer un filtre sur la tuyauterie d'entrée vers l'Ecodan hydrobox.
- Une tuyauterie d'évacuation convenable doit être disposée sur toutes les soupapes de sécurité, conformément à la réglementation en vigueur de votre pays.
- Un clapet anti-retour doit être installé sur la tuyauterie d'alimentation en eau (IEC 61770).
- Lorsque vous utilisez des composants réalisés avec des métaux différents ou des tuyaux de connexion fabriqués avec des métaux différents, isolez les raccords afin d'éviter toute apparition d'une réaction de corrosion qui risquerait d'endommager la tuyauterie.

N°	Nom de la pièce	EHPX- *M* (E/D)	EHS- MED	EHS- *M*D	EHS- YM 9ED	ERS- *M*(E/D)	ERS- MED
1	Boîtier électrique de commande	✓	✓	✓	✓	✓	✓
2	Télécommande principale	✓	✓	✓	✓	✓	✓
3	Échangeur à plaque (fluide frigorigène - eau)	-	✓	✓	✓	✓	✓
4	Pompe de circulation de l'eau 1	✓	✓	✓	✓	✓	✓
5	Vanne de pompe	✓	✓	✓	✓	✓	✓
6	Purgeur d'air (Manuel)	-	✓	✓	✓	✓	✓
7	Vanne de purge (circuit primaire)	✓	✓	✓	✓	✓	✓
8	Appoint électrique 1, 2	✓	-	✓	✓	✓	-
9	Débitmètre	✓	✓	✓	✓	✓	✓
10	Manomètre	✓	✓	✓	✓	✓	✓
11	Soupape de sécurité (3 bars)	-	✓	✓	✓	✓	✓
12	Purgeur d'air automatique	✓	✓	✓	✓	✓	✓
13	Vase d'expansion	✓*2	-	✓	-	✓*3	-
14	Vanne filtre	✓	✓	✓	✓	✓	✓
15	Bac de récupération	-	-	-	-	-	-
16	Soupape de sécurité (5 bars)	✓*2	-	✓	-	✓*3	-
17	THW1	✓	✓	✓	✓	✓	✓
18	THW2	✓	✓	✓	✓	✓	✓
19	TH2	-	✓	✓	✓	✓	✓
20	Sonde de pression	-	✓*4	✓*4	✓*4	✓*4	✓*4
21	THW5B (Composant en option PAC-TH011TK2-E ou PAC-TH011TKL2-E)	-	-	-	-	-	-
22	Unité extérieure	-	-	-	-	-	-
23	Tuyau de purge (fourniture locale)	-	-	-	-	-	-
24	Vanne 3 voies (fourniture locale)	-	-	-	-	-	-
25	Ballon non ventilé indirect eau chaude (fourniture locale)	-	-	-	-	-	-
26	Tuyau d'entrée eau froide (fourniture locale)	-	-	-	-	-	-
27	Tuyau de sortie ECS (fourniture locale)	-	-	-	-	-	-
28	Clapet anti-retour (fourniture locale)	-	-	-	-	-	-
29	Robinet d'isolement (fourniture locale)	-	-	-	-	-	-
30	Filtre magnétique (fourniture locale) (recommandé)	-	-	-	-	-	-
31	Filtre (fourniture locale)	-	-	-	-	-	-

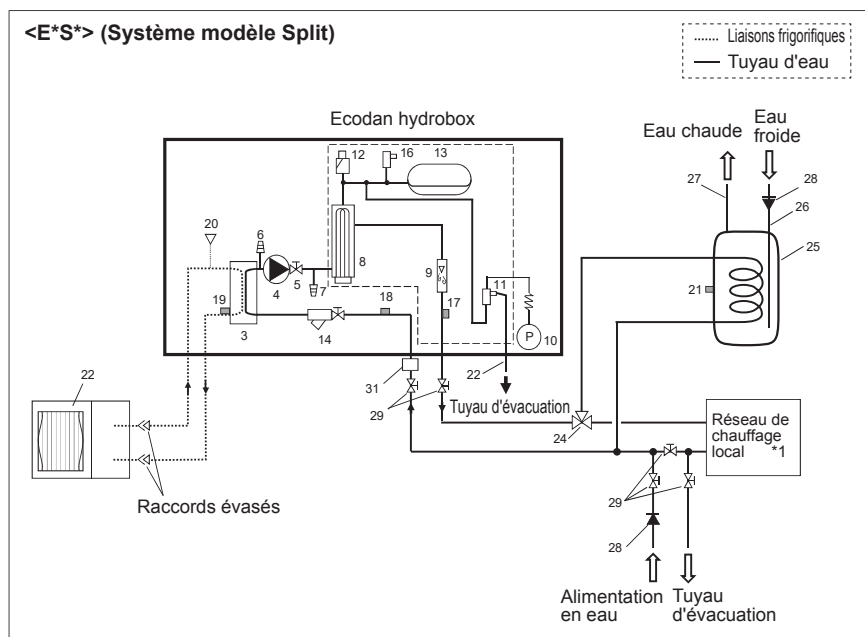
<Tableau 3.5>

*1 Reportez-vous à la section suivante [Système local].

*2 EHPX-YM9ED et EHPX-MED ne sont pas inclus.

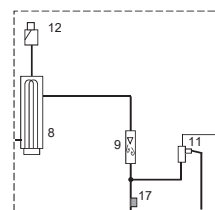
*3 ERSE-YM9ED n'est pas inclus.

*4 Modèle 2HP (E*SD) seulement.



<Figure 3.6>

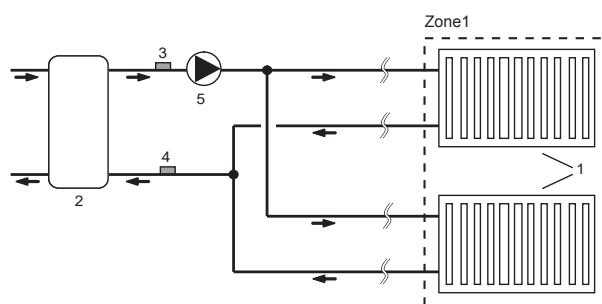
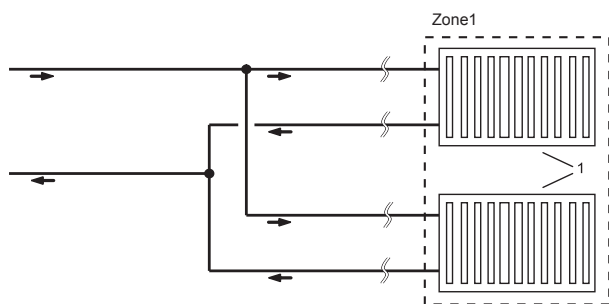
<E*SE seulement>



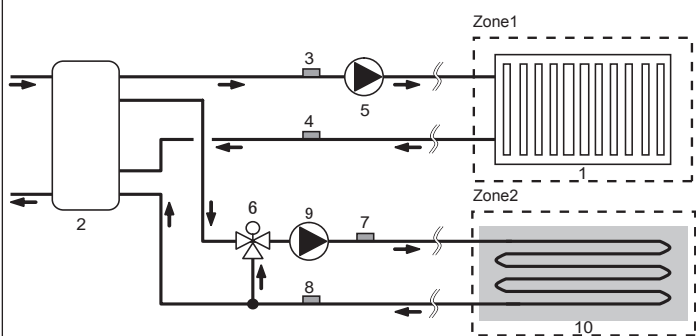
3 Informations techniques

■ Réseau de chauffage : types d'installation réalisables

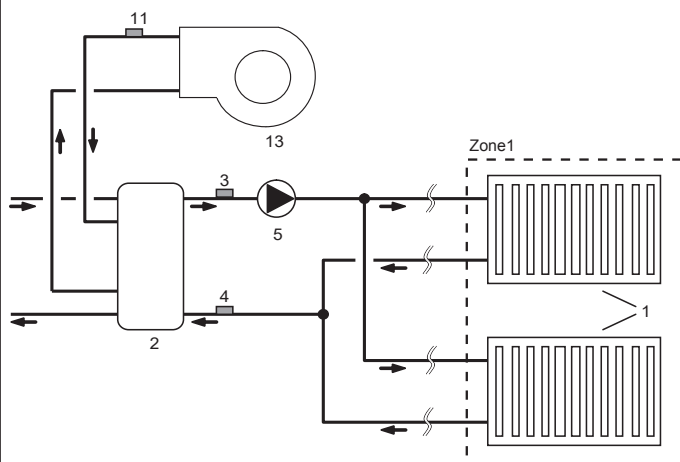
Contrôle de la température sur 1 zone



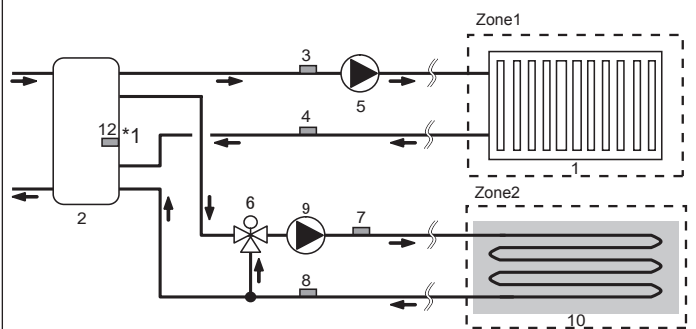
Contrôle de la température sur 2 zones



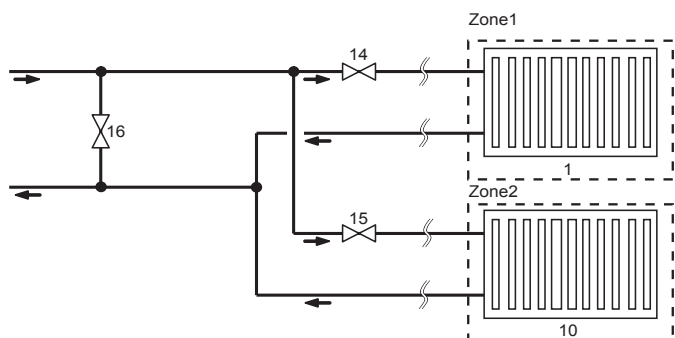
Contrôle de la température sur 1 zone avec chaudière



Contrôle de la température sur 2 zones et contrôle du réservoir tampon



Contrôle de la température sur 1 zone (contrôle marche/arrêt de la vanne sur 2 zones)



1. Émetteurs de chaleur Zone1 (radiateur, ventilo-convecteur, par exemple) (fourniture locale)
2. Bouteille de découplage (fourniture locale)
3. Thermistance temp.Départ eau Zone1 (THW6) } Composant en option : PAC-TH011-E
4. Thermistance temp.Retour eau Zone1 (THW7) }
5. Pompe de circulation Zone1 (fourniture locale)
6. Vanne de mélange motorisée (fourniture locale)
7. Thermistance temp.Départ eau Zone2 (THW8) } Composant en option : PAC-TH011-E
8. Thermistance temp.Retour eau Zone2 (THW9) }
9. Pompe de circulation Zone2 (fourniture locale)

10. Émetteurs de chaleur Zone2 (plancher chauffant, par exemple) (fourniture locale)
 11. Thermistance temp.Départ eau chaudière (THWB1) } Composant en option : PAC-TH012HT(L)-E
 12. Thermistance de la bouteille de découplage (THW10) *1 }
 13. Chaudière (fourniture locale)
 14. Vanne 2 voies Zone1 (fourniture locale)
 15. Vanne 2 voies Zone2 (fourniture locale)
 16. Vanne de contournement (fourniture locale)
- *1 SEUL le contrôle du réservoir tampon (chauffage/rafraîchissement) s'applique à « Réseau élec intelligent ».

fr

4 Installation

<Préparation avant l'installation et l'entretien>

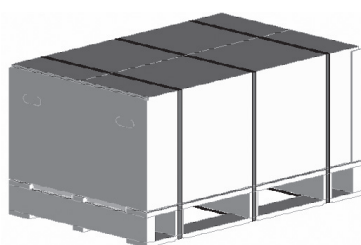
- Préparez les outils corrects.
- Préparez la protection correcte.
- Laissez les pièces refroidir avant d'entreprendre une quelconque maintenance.
- Prévoyez une ventilation adéquate.
- Après avoir arrêté le fonctionnement du système, coupez l'alimentation au niveau du disjoncteur et retirez la prise d'alimentation.
- Déchargez le condensateur avant d'entreprendre des travaux touchant à des pièces électriques.

<Précautions à prendre pendant l'entretien>

- N'effectuez aucun travail impliquant des pièces électriques avec les mains humides.
- Ne versez pas d'eau ou des liquides sur les pièces électriques.
- Ne touchez pas le fluide frigorigène.
- Ne touchez pas les surfaces chaudes ou froides du cycle de réfrigération.
- Lorsque la réparation ou l'inspection du circuit doit être effectuée sans couper l'alimentation, faites extrêmement attention à ne pas toucher des pièces sous tension.

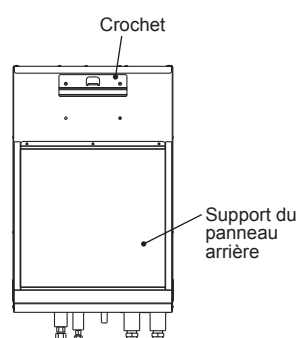
4.1 Emplacement

■ Transport et manutention



<Figure 4.1.1>

L'Ecodan hydrobox est livré sur une palette en bois avec une protection en carton.



<Figure 4.1.2>

Lors du transport de l'Ecodan hydrobox, il est nécessaire de faire attention de manière à ne pas endommager le carter par des chocs. Ne retirez pas l'emballage de protection tant que l'Ecodan hydrobox ne se trouve pas à son emplacement définitif. Cela contribuera à protéger la structure et le panneau de commande.

Remarques :

- L'Ecodan hydrobox doit **TOUJOURS** être transporté par 2 personnes au minimum.
- **NE** tenez **PAS** l'Ecodan hydrobox par la tuyauterie lorsque vous le déplacez ou le soulevez.

■ Emplacement convenable

Avant l'installation, l'Ecodan hydrobox doit être stocké dans un endroit à l'abri du gel. Les unités ne doivent **PAS** être empilées.

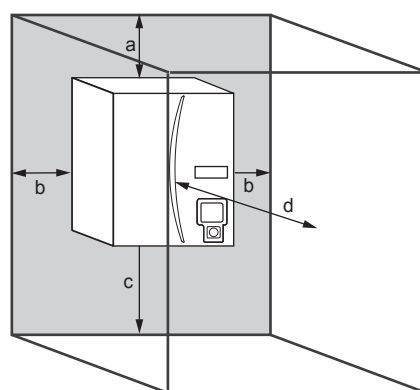
- L'Ecodan hydrobox doit être installé à l'intérieur dans un endroit à l'abri du gel.
- Installez l'Ecodan hydrobox dans un endroit non exposé à l'eau ou à une humidité excessive.
- L'Ecodan hydrobox doit être placé sur un mur droit capable de supporter son poids lorsqu'il est rempli.
- Pour connaître les poids, reportez-vous à la section « 3. Informations techniques ».
- Faites attention à bien respecter les distances minimales autour de l'unité et devant celle-ci afin de permettre un accès pour l'entretien <Figure 4.1.3>.
- Fixez solidement l'Ecodan hydrobox afin d'éviter qu'il ne soit renversé de manière accidentelle ou lors d'un tremblement de terre.
- Vous devez utiliser le crochet et le support de panneau pour accrocher l'Ecodan hydrobox au mur. <Figure 4.1.2>

■ Schémas d'accès pour l'entretien

Accès pour l'entretien	
Paramètre	Dimension (mm)
a	200
b	150
c	500
d	500

<Tableau 4.1.1>

Un espace suffisant **DOIT** être laissé pour permettre d'installer la tuyauterie de vidange comme détaillé dans les réglementations nationales et locales relatives aux bâtiments.



<Figure 4.1.3>

Accès pour l'entretien

L'Ecodan hydrobox doit être disposé à l'intérieur et dans un environnement à l'abri du gel, par exemple dans un local d'entretien.

■ Repositionnement de l'Ecodan hydrobox

Avant de déplacer l'Ecodan hydrobox vers un nouvel emplacement, **VIDANGEZ-LE COMPLÈTEMENT** afin d'éviter d'endommager l'unité.

Remarque : NE tenez PAS l'Ecodan hydrobox par la tuyauterie lorsque vous le déplacez ou le soulevez.

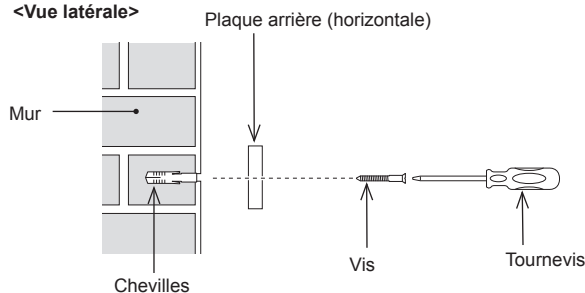
4 Installation

■ Procédure de montage

1. Installez la plaque arrière (accessoire inclus).

* Pour installer la plaque arrière, utilisez les vis fournies sur site et les chevilles de fixation compatibles.

<Vue latérale>



<Figure 4.1.4>

- Fixez la plaque arrière correctement avec la face pourvue d'une encoche horizontale vers le HAUT. La plaque arrière est livrée avec des orifices de montage des vis rondes ou ovales. Pour éviter que l'unité tombe du mur, déterminez le nombre ou les emplacements d'orifices adaptés, puis fixez la plaque arrière horizontalement sur le mur à l'emplacement approprié.

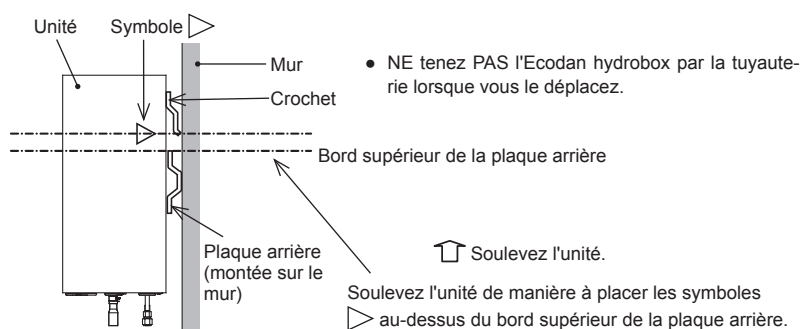
2. Insérez le crochet à l'arrière de l'Ecodan hydrobox, derrière l'encoche de la plaque arrière.

* Pour soulever l'Ecodan hydrobox plus facilement, basculez tout d'abord l'unité vers l'avant en vous aidant du coussinet d'emballage inclus.

i) Chaque panneau latéral de droite et de gauche possède un symbole ▷.

Soulevez l'unité de manière à placer les symboles ▷ au-dessus du bord supérieur de la plaque arrière, comme indiqué ci-dessous.

<Vue latérale de l'unité>

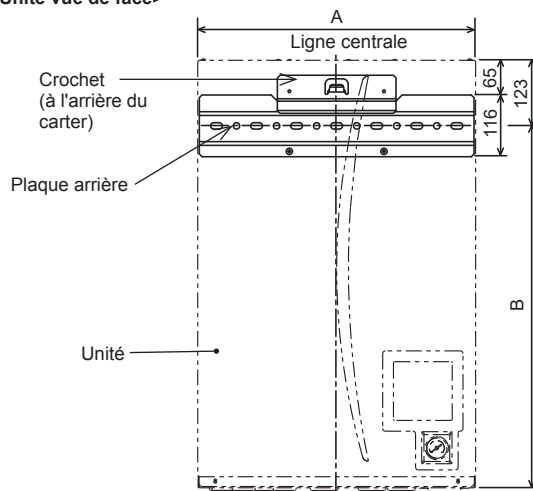


<Figure 4.1.5>

- NE tenez PAS l'Ecodan hydrobox par la tuyauterie lorsque vous le déplacez.

↑ Soulevez l'unité.
Soulevez l'unité de manière à placer les symboles ▷ au-dessus du bord supérieur de la plaque arrière.

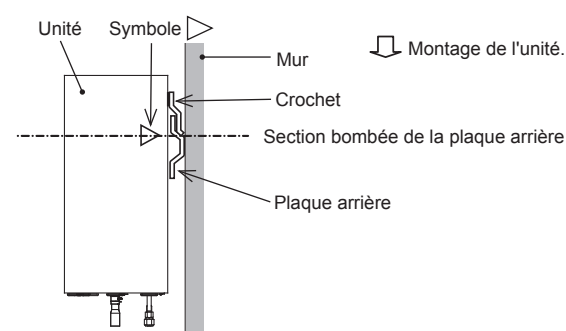
<Unité vue de face>



<Figure 4.1.7>

ii) Vérifiez et assurez-vous que les marques ▷ sont positionnées et correctement engagées au niveau de la section pliée sur la plaque arrière, comme illustré ci-dessous.

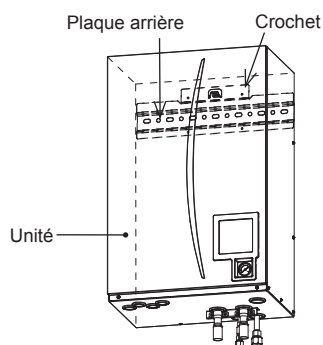
<Vue latérale de l'unité>



<Figure 4.1.6>

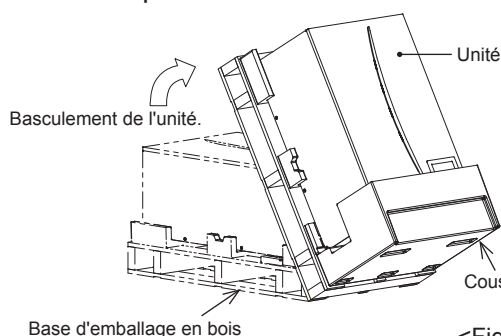
- La figure 4.1.7 indique les positions relatives entre l'unité et la plaque arrière sécurisée murale. Reportez-vous à la <Figure 4.1.3> Accès pour l'entretien pour installer la plaque arrière.

Dimensions (mm)	A	B
Hydro box		
E*SC	530	677
E*SD		
EHPX		
E*SE	600	827

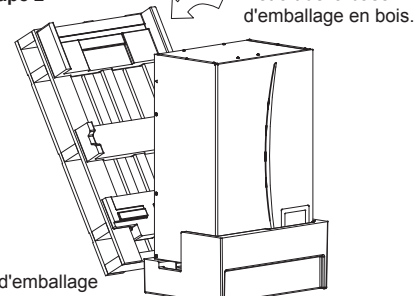


<Figure 4.1.8>

<Étape 1>



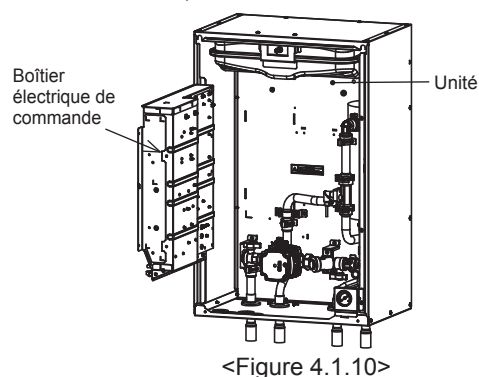
<Étape 2>



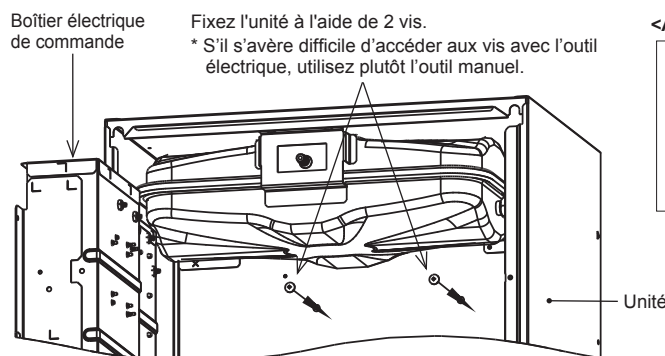
<Figure 4.1.9>

4 Installation

3. Reportez-vous à la section « Accès aux composants internes et au boîtier électrique de commande » pour fixer l'unité et la plaque arrière à l'aide des 2 vis incluses (éléments accessoires).

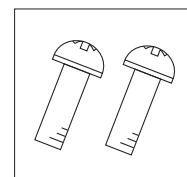


<Figure 4.1.10>

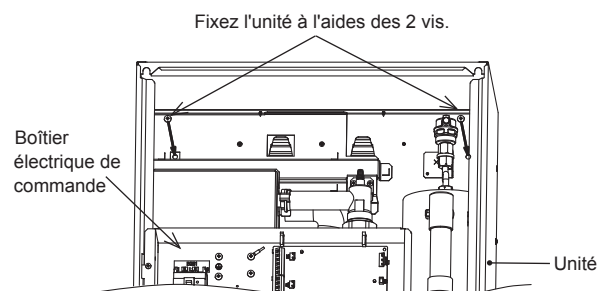


<Figure 4.1.11>

<Accessoires>



Vis M5x8



<Figure 4.1.12>

Attention: AVANT de faire fonctionner la tuyauterie sur site, assurez-vous de placer et de serrer ces deux vis. Sinon, le crochet pourrait se décrocher et entraîner la chute de l'unité.

4.2 Qualité de l'eau et préparation du système

■ Généralités

- L'eau dans le circuit primaire et le circuit sanitaire doit être propre et avoir une valeur de pH comprise entre 6,5 et 8,0
- Les données suivantes correspondent aux valeurs maximales :
Calcium : 100 mg/L, dureté Ca : 250 mg/L
Chlore : 100 mg/L, Cuivre : 0,3 mg/L
- Les autres constituants doivent être conformes aux normes de la directive européenne 98/83 EC.
- Dans les zones où la dureté de l'eau est élevée, afin de prévenir ou de minimiser la formation de tartre, il peut être avantageux de restreindre la température de l'eau stockée habituellement (Temp.Max.ECS) à 55 °C.

■ Antigel

Pour les solutions antigel, il convient d'utiliser du propylène glycol avec une cote de toxicité de Classe 1, comme indiqué dans le document « Clinical Toxicology of Commercial Products », 5e édition.

Remarques :

- L'éthylène glycol est toxique et il convient de ne pas l'utiliser dans le circuit d'eau primaire en cas d'une quelconque contamination croisée du circuit d'eau potable.
- Pour le contrôle marche/arrêt de la vanne sur 2 zones, il convient d'utiliser l'éthylène glycol.

■ Nouvelle installation (circuit d'eau primaire)

- Avant de raccorder l'unité extérieure, nettoyez soigneusement la tuyauterie afin d'éliminer tout débris de construction, de soudure etc. en utilisant un agent de nettoyage chimique approprié.
- Rincez le système pour éliminer le détergent chimique.
- Pour tous les systèmes modèle Package ajoutez une solution combinée d'inhibiteur et d'antigel afin d'éviter tout dommage à la tuyauterie et aux composants du système.
- Pour les modèles Split, l'installateur responsable doit décider si est nécessaire d'utiliser de l'antigel en fonction des conditions du site. Un inhibiteur de corrosion doit toutefois toujours être utilisé.

■ Installation existante (circuit d'eau primaire)

- Avant le raccordement de l'unité extérieure, le circuit de chauffage existant DOIT être nettoyé chimiquement afin d'éliminer les débris existants du circuit de chauffage.
- Rincez le système pour éliminer le détergent chimique.
- Pour tous les systèmes modèle Package ajoutez une solution combinée d'inhibiteur et d'antigel afin d'éviter tout dommage à la tuyauterie et aux composants du système.
- Pour les modèles Split, l'installateur responsable doit décider si est nécessaire d'utiliser de l'antigel en fonction des conditions du site. Un inhibiteur de corrosion doit toutefois toujours être utilisé.

Lorsque vous utilisez des détergents chimiques et des inhibiteurs, suivez toujours les instructions du fabricant et assurez-vous que les produits sont appropriés au matériau utilisé dans le circuit d'eau.

■ Quantité minimale d'eau nécessaire dans le circuit de chauffage/rafraîchissement

Unité extérieure de la pompe à chaleur		Climat moyen/plus chaud**		Climat plus froid**	
		Quantité d'eau contenue dans le module hydraulique [L]	*Quantité d'eau nécessaire supplémentaire [L]	Quantité d'eau contenue dans le module hydraulique [L]	*Quantité d'eau nécessaire supplémentaire [L]
Modèle Package	PUZ-WM50	5	2	5	24
	PUZ-WM60		4		29
	PUZ-WM85		7		32
	PUZ-WM112		11		43
	PUZ-HWM140		15		55
Modèle Split	SUZ-SWM40	5	1	5	12
	SUZ-SWM60		2		21
	SUZ-SWM80		4		29
	PUHZ-FRP71		6		27
	PUHZ-SW75		6		27
	PUHZ-SW100		9		38
	PUHZ-SW120		12		47
	PUHZ-SW160		18		64
	PUHZ-SW200		24		81
	PUHZ-SHW80		6		29
	PUHZ-SHW112		11		43
	PUHZ-SHW140		15		55
	PUHZ-SHW230		28		94
	PUMY-P112		22		75
	PUMY-P125		22		75
PUMY-P140	22	75			

<Tableau 4.2.1>

* S'il existe un circuit de contournement, le tableau ci-dessus concerne la quantité d'eau minimale en cas de contournement.

** Veuillez vous reporter à 2009/125/CE : directive sur les produits liés à l'énergie et au règlement (UE) N° 813/2013 pour confirmer votre zone climatique.

Cas 1. Aucune division entre les circuits primaire et secondaire

- Veillez vérifier la quantité d'eau nécessaire conformément au tableau 4.2.1 au niveau des tuyaux d'eau, des radiateurs et des planchers chauffants.

Cas 2. Circuits primaire et secondaire séparés

- Si l'opération d'interverrouillage des pompes primaire et secondaire n'est pas disponible, veuillez vérifier la quantité d'eau nécessaire supplémentaire dans le circuit primaire seulement, conformément au tableau 4.2.1.
- Si l'opération d'interverrouillage des pompes primaire et secondaire est disponible, veuillez vérifier la quantité d'eau totale dans les circuits primaire et secondaire conformément au tableau 4.2.1.

Si la quantité d'eau nécessaire n'est pas atteinte, veuillez installer un réservoir tampon.

4 Installation

4.3 Tuyauterie d'eau

Remarque : Pour éviter que la tuyauterie sur site n'exerce une pression sur la tuyauterie de l'Ecodan hydrobox, fixez-la sur un mur ou procédez autrement.

■ Tuyauterie d'eau chaude

Il est nécessaire de vérifier le fonctionnement des composants de sécurité de l'eau chaude des dispositifs de sécurité doivent être respectés attentivement :

- Soupape de sécurité
- Précharge du vase d'expansion (pression de charge du gaz)

Les instructions des pages suivantes concernant l'évacuation en toute sécurité de l'eau chaude des dispositifs de sécurité doivent être respectés attentivement.

- La tuyauterie peut devenir très chaude, elle doit donc être isolée pour éviter les brûlures.
- Lorsque vous raccordez la tuyauterie, assurez-vous qu'aucun objet étranger, tel que des débris ou des éléments similaires, ne pénètre dans les tuyaux.

■ Connexions des dispositifs de sécurité

L'Ecodan hydrobox possède une soupape de sécurité. (voir <Figure 4.3.1>) La taille de raccord est G1/2" femelle. L'installateur DOIT raccorder la tuyauterie de vidange appropriée depuis cette soupape conformément aux réglementations locales et nationales.

Si cette obligation n'est pas respectée, la soupape de sécurité s'évacue directement dans l'Ecodan hydrobox et cela risque d'endommager sérieusement le produit.

Toute la tuyauterie utilisée devra être capable de supporter l'évacuation d'eau chaude. Les soupapes de sécurité NE DOIVENT PAS être utilisées dans un quelconque autre but, et leurs évacuations doivent aboutir d'une manière sécurisée et appropriée conformément aux exigences de la réglementation locale.

Remarque : Vous devez savoir que le manomètre et la soupape de sécurité NE SONT PAS sollicités respectivement sur leur côté capillaire et sur leur côté de l'entrée.

Si une soupape de sécurité est ajoutée, il est essentiel qu'aucun clapet anti-retour et qu'aucune vanne d'isolement ne soient disposés entre le raccordement de l'Ecodan hydrobox et la soupape de sécurité ajoutée (pour des raisons de sécurité).

■ Filtre hydraulique (SEULEMENT pour la série EHPX)

Installez un filtre hydraulique ou une crépine (fourniture locale) au niveau de l'entrée d'eau (« Tuyau E ») dans le tableau 3.4, ainsi que le schéma associé dans la figure 3.5)

■ Raccordements des tuyaux

Les raccordements à l'Ecodan hydrobox doivent être effectués en utilisant les réductions 28mm (série EHSC/D), l'écrou G1 (série ERSC/D) ou l'écrou G1-1/2 (série E*SE) comme approprié. (L'Ecodan hydrobox possède des raccords de filetage G1 ou G1-1/2 (mâles).)

Ne serrez pas de manière excessive les raccords de réduction car cela entraînerait une déformation de la bague olive et des fuites éventuelles.

Remarque : Avant de souder par brasure les tuyaux sur site, protégez les tuyaux sur l'hydrobox en utilisant un torchon humide, etc., en tant que « bouclier antichaleur ».

Utilisez deux clés pour serrer les raccords de tuyauterie (voir <Figure 4.3.2>).

■ Tuyauterie d'évacuation (séries ER SEULEMENT)

Le tuyau de purge devra être installé de manière à purger l'eau qui se condense en mode de rafraîchissement.

- Installez solidement le tuyau de purge afin d'éviter toute fuite provenant du raccordement.
- Isolez correctement le tuyau de purge afin d'éviter toute éclaboussure d'eau provenant du tuyau de purge fourni sur site.
- Installez le tuyau de purge avec une ligne de pente d'au moins 1/100.
- Ne placez pas le tuyau de purge dans le canal de purge qui contient du gaz sulfurique.
- Après l'installation, vérifiez que la purge de l'eau provenant de la sortie du tuyau s'effectue correctement par le tuyau de purge.

<Installation>

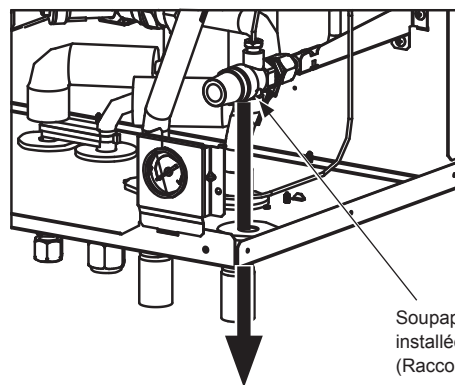
1. Appliquez de l'adhésif de type PVC sur les surfaces en grisé à l'intérieur du tuyau de purge et sur l'extérieur de l'embout de purge, comme indiqué.
2. Insérez l'embout de purge au maximum dans le tuyau de purge <Figure 4.3.3>.

Remarque : Soutenez solidement le tuyau de purge fourni sur site à l'aide d'un support de tuyau afin d'éviter que le tuyau de purge ne tombe de l'embout de purge.

Pour éviter que de l'eau sale coule directement sur le sol près de l'Ecodan hydrobox, raccordez la tuyauterie de vidange appropriée depuis l'Ecodan hydrobox.

■ Isolation de la tuyauterie

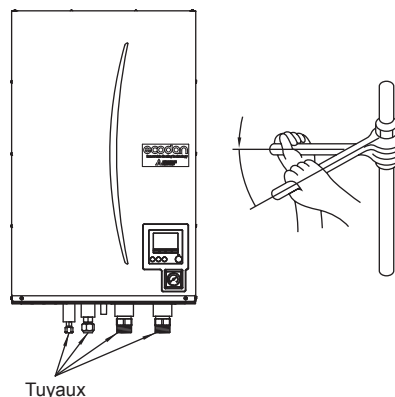
- Toute la tuyauterie d'eau exposée doit être isolée afin d'éviter des pertes thermiques inutiles et une condensation. Pour éviter que des condensats pénètrent dans l'Ecodan hydrobox, la tuyauterie et les raccords situés sur le haut de l'Ecodan hydrobox doivent être isolés soigneusement.
- Lorsque cela est possible, les tuyauteries d'eau froide et d'eau chaude ne doivent pas être disposées proches l'une de l'autre afin d'éviter tout transfert de chaleur inutile.
- La tuyauterie située entre l'unité extérieure de la pompe à chaleur et l'Ecodan hydrobox doit être isolée avec un matériau d'isolation convenant aux tuyaux et ayant une conductivité thermique $\leq 0,04$ W/m.K.



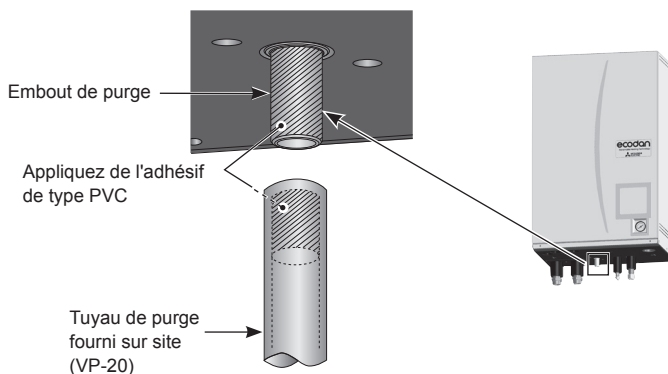
Soupape de sécurité installée en usine (Raccord G1/2" femelle)

Vidanger pour purger (le tuyau DOIT être monté convenablement par un installateur).

<Figure 4.3.1>



<Figure 4.3.2>



<Figure 4.3.3>

4 Installation

■ Caractéristique de la pompe de circulation

La vitesse du circulateur peut être contrôlée avec les paramètres de la télécommande principale (voir <Figure 4.3.4 - 4.3.9>).

Ajuster le paramètre de vitesse du circulateur afin que le débit dans le circuit primaire soit approprié à l'unité extérieure installée (voir Tableau 4.3.1). Il peut être nécessaire d'ajouter une pompe supplémentaire au système en fonction de la longueur et de l'élévation du circuit primaire.

Pour un modèle d'unité extérieure non répertoriée dans le <Tableau 4.3.1>, reportez-vous à la plage de débit d'eau dans le tableau des caractéristiques du manuel des données de l'unité extérieure.

<Deuxième pompe>

Si une deuxième pompe est nécessaire pour l'installation, lisez attentivement les éléments suivants.

Si une deuxième pompe est utilisée dans le système, elle peut être positionnée de 2 manières.

La position de la pompe a une incidence sur la borne sur laquelle le câble de signal doit être raccordé à la carte FTC. Si la ou les pompes supplémentaires ont un courant supérieur à 1 A, utilisez un relais approprié. Le câble du signal de la pompe peut être branché sur TBO.1 1-2 ou CNP1, mais pas sur les deux.

Option 1 (chauffage/rafraîchissement seulement)

Si la deuxième pompe est utilisée seulement pour le circuit de chauffage, le câble de signal doit alors être branché sur les bornes 3 et 4 de TBO.1 (OUT2). Dans cette position, la pompe peut fonctionner à une vitesse différente de la pompe intégrée de l'Ecodan hydrobox.

Option 2 (circuit eu chaude primaire et chauffage/rafraîchissement)

Si la deuxième pompe est utilisée dans le circuit primaire entre l'Ecodan hydrobox et l'unité extérieure (système Package SEULEMENT), le câble de signal doit alors être branché sur les bornes 1 et 2 de TBO.1 (OUT1). Dans cette position, la vitesse de la pompe DOIT correspondre à la vitesse de la pompe intégrée de l'Ecodan hydrobox.

Remarque : Reportez-vous à la section 5.2, Connexion des entrées/sorties.

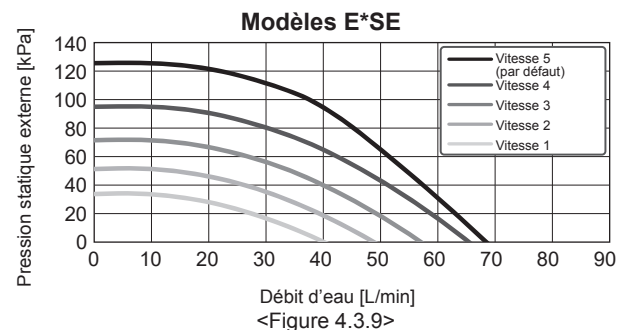
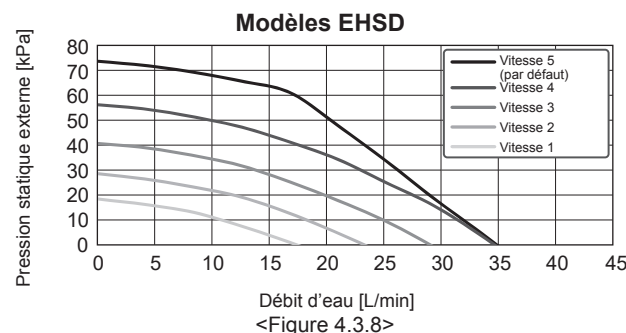
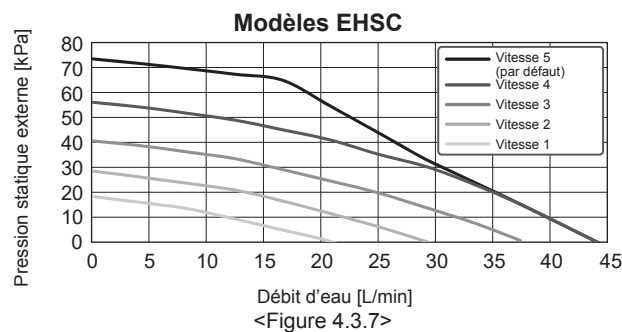
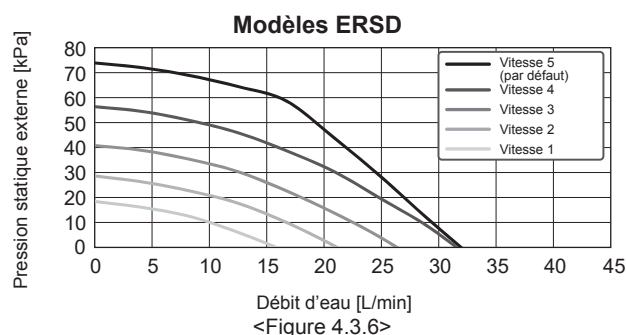
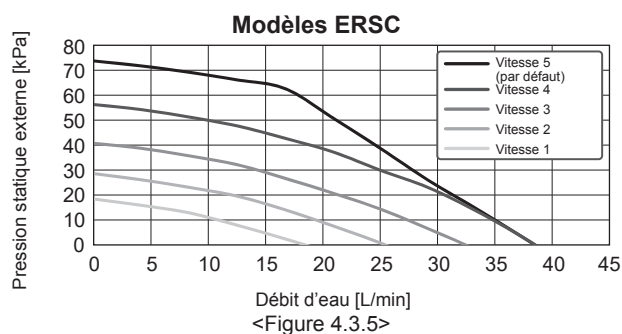
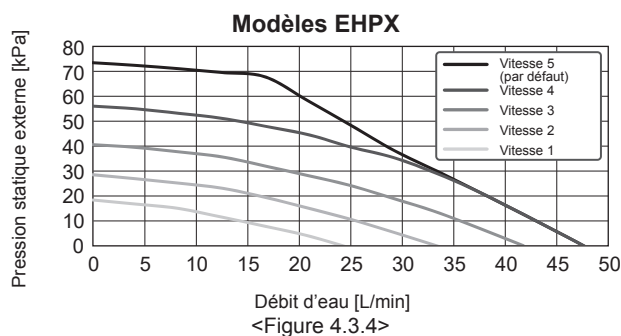
Unité extérieure de la pompe à chaleur	Plage de débit d'eau [L/min]	
Modèle Package	PUZ-WM50	6,5 - 14,3
	PUZ-WM60	8,6 - 17,2
	PUZ-WM85	10,8 - 25,8
	PUZ-WM112	14,4 - 32,1
	PUZ-HWM140	17,9 - 36,9
Modèle Split	SUZ-SWM40	6,5 - 11,4
	SUZ-SWM60	7,2 - 17,2
	SUZ-SWM80	7,8 - 21,5
	PUHZ-FRP71	11,5 - 22,9
	PUHZ-SW75	10,2 - 22,9
	PUHZ-SW100	14,4 - 32,1
	PUHZ-SW120	20,1 - 36,9
	PUHZ-SHW80	10,2 - 22,9
	PUHZ-SHW112	14,4 - 32,1
	PUHZ-SHW140	17,9 - 36,9
	PUMY-P112	17,9 - 35,8
	PUMY-P125	17,9 - 35,8
	PUMY-P140	17,9 - 35,8

<Tableau 4.3.1>

* Si le débit d'eau est inférieur à 5,0 L/min, cela active l'erreur de débit.

Si le débit d'eau dépasse 36,9 L/min, la vitesse de l'écoulement est supérieure à 2,0 m/s, ce qui peut provoquer une érosion des tuyaux.

Caractéristique de la pompe de circulation de l'eau



4 Installation

■ Dimensionnement des vases d'expansion

Le volume des vase d'expansion doit être adapté au volume d'eau du système local. Pour dimensionner un vase d'expansion pour les circuits de chauffage et de rafraîchissement, il est possible d'utiliser la formule et le graphique suivants. Lorsque le volume nécessaire pour le vase d'expansion dépasse le volume de vase d'expansion intégré, installez un vase d'expansion supplémentaire de telle sorte que la somme des volumes des phases d'expansion dépasse le volume nécessaire pour le vase d'expansion.

* Pour l'installation d'un modèle E***-M*ED, fournissez et installez un vase d'expansion approprié côté primaire et une soupape de sécurité supplémentaire d'une pression nominale de 3 bars sur site, car le modèle n'est pas équipé d'un vase d'expansion côté primaire.

$$V = \frac{\varepsilon \times G}{1 - \frac{P_1 + 0,098}{P_2 + 0,098}}$$

Où :

- V : Volume nécessaire pour le vase d'expansion [L]
- ε : Coefficient de dilatation de l'eau
- G : Volume total de l'eau dans le système [L]
- P₁ : Pression de réglage du vase d'expansion [MPa]
- P₂ : Pression maximale pendant le fonctionnement [MPa]

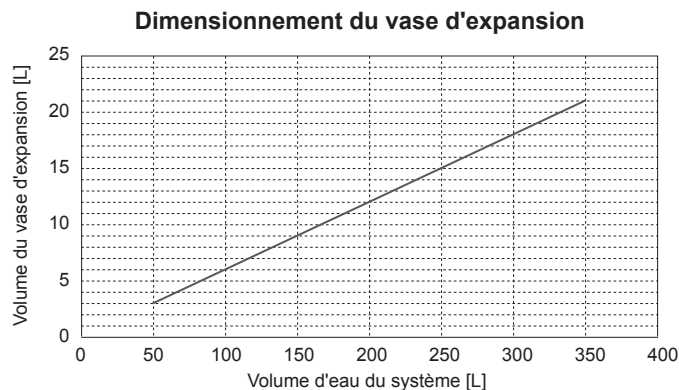
Le graphique à droite correspond aux valeurs suivantes :

ε : à 70 °C = 0,0229

P₁ : 0,1 MPa

P₂ : 0,3 MPa

*Une marge de sécurité de 30 % a été ajoutée.

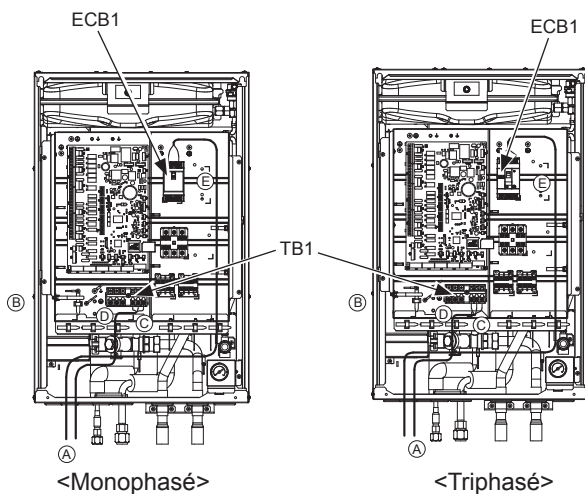


<Figure 4.3.10>

4.4 Connexion électrique

Tous les travaux électriques doivent être entrepris par un technicien convenablement qualifié. Le non-respect de cette obligation risque de conduire à une électrocution, un incendie et un décès. Cela annule également la garantie du produit. Tous les câblages doivent être réalisés conformément aux réglementations nationales relatives aux câblages.

Abréviation du disjoncteur	Signification
ECB1	Disjoncteur différentiel pour l'appoint électrique
TB1	Bornier 1



<Figure 4.4.1>

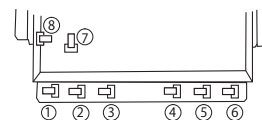
L'Ecodan hydrobox peut être alimenté de deux manières.

1. Le câble d'alimentation est acheminé de l'unité extérieure vers l'Ecodan hydrobox.
2. L'Ecodan hydrobox dispose d'une source d'alimentation indépendante.

Les connexions doivent être effectuées sur les bornes indiquées dans les figures à gauche ci-dessous, en fonction de la phase.

L'appoint électrique et la résistance électrique ECS immergée doivent être connectés de manière indépendante l'un de l'autre à des alimentations électriques spéciales.

- Ⓐ Le câblage fourni localement doit être inséré à travers les passages situés à la base de l'Ecodan hydrobox. (Reportez-vous au <Tableau 3.4>.)
 - Ⓑ Le câblage doit être acheminé vers le bas du côté gauche du boîtier électrique de commande et fixé sur place en utilisant les attaches fournies.
 - Ⓒ Les fils doivent être fixés dans les passages de câbles, comme indiqué ci-dessous.
- ② Fils de sorties
 - ③ Fil intérieur-extérieur
 - ⑥ Ligne d'alimentation (B.H.)
 - ⑦ Fils du signal d'entrée
- Fil du récepteur sans fil (en option)
 (PAR-WR51R-E)
- Ⓓ Connectez le câble unité extérieure – Ecodan hydrobox sur TB1.
 - Ⓔ Connectez le câble d'alimentation de l'appoint électrique sur ECB1.



- Assurez-vous que ECB1 est en position « ON » (activé).

fr

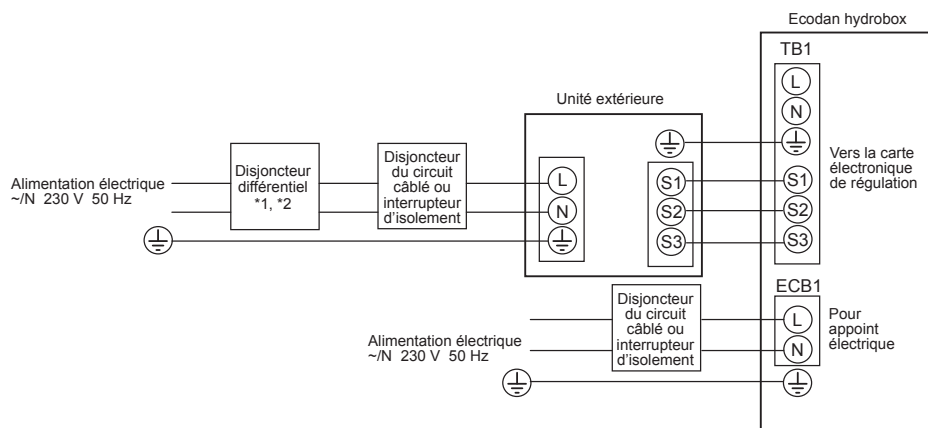
4 Installation

Ecodan hydrobox alimenté via l'unité extérieure

(Si vous souhaitez utiliser une source indépendante, rendez-vous sur le site Web de Mitsubishi.)

<Monophasé>

Appelez l'étiquette A fournie dans les manuels à proximité de chaque schéma de câblage de l'Ecodan hydrobox et des unités extérieures.

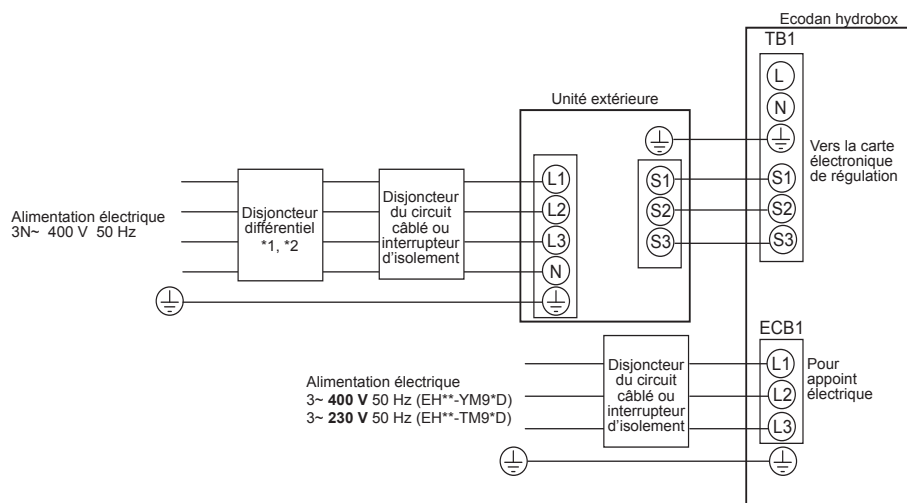


<Figure 4.4.2>
Connexions électriques monophasées

Description	Alimentation électrique	Capacité	Disjoncteur	Câblage
Appoint électrique	~N 230 V 50 Hz	2 kW	16 A *2	2,5 mm ²
		6 kW	32 A *2	6,0 mm ²

<Triphasé>

Appelez l'étiquette A fournie dans les manuels à proximité de chaque schéma de câblage de l'Ecodan hydrobox et des unités extérieures.



<Figure 4.4.3>
Connexions électriques triphasées

Description	Alimentation électrique	Capacité	Disjoncteur	Câblage
Appoint électrique	3~ 400 V 50 Hz	9 kW	16 A *2	2,5 mm ²
	3~ 230 V 50 Hz	9 kW	32 A *2	6,0 mm ²

N° de câble × taille (mm ²)	Ecodan hydrobox - Unité extérieure	*3	3 × 1,5 (pôle)
	Mise à la terre Ecodan hydrobox - Unité extérieure	*3	1 × Min. 1,5
Catégorie de circuit	Ecodan hydrobox - Unité extérieure S1 - S2	*4	230 V CA
	Ecodan hydrobox - Unité extérieure S2 - S3	*4	24 V CC

*1. Si le disjoncteur différentiel installé ne dispose pas d'une fonction de protection contre les surintensités, installez un disjoncteur disposant de cette fonction sur la même ligne d'alimentation.

*2. Un disjoncteur avec une séparation des contacts d'au moins 3,0 mm devra être fourni. Utilisez un interrupteur différentiel (NV).

Le disjoncteur devra être fourni pour assurer une déconnexion de tous les conducteurs de phase actifs de l'alimentation.

*3. Max. 45 m

En cas d'utilisation d'une section de 2,5 mm², 50 m max.

En cas d'utilisation d'une section de 2,5 mm² et de S3 séparés, 80 m max.

*4. Les valeurs données dans le tableau ci-dessus ne sont pas toujours mesurées par rapport à la valeur de la terre.

Remarques : 1. La taille des câbles doit être conforme aux codes locaux et nationaux applicables.

2. Les cordons de connexion entre le module hydraulique et l'unité extérieure ne doivent pas être plus légers qu'un cordon souple à gaine en Néoprène. (Modèle 60245 IEC 57)

Les cordons de connexion du module hydraulique ne doivent pas être plus légers qu'un cordon souple à gaine en Néoprène. (Modèle 60227 IEC 53)

3. Installez un câble de mise à la terre plus long que les autres câbles.

4. Veillez à conserver une capacité d'alimentation de sortie suffisante pour chaque résistance. Une capacité d'alimentation de sortie insuffisante pourrait provoquer un broutement.

5 Configuration du système

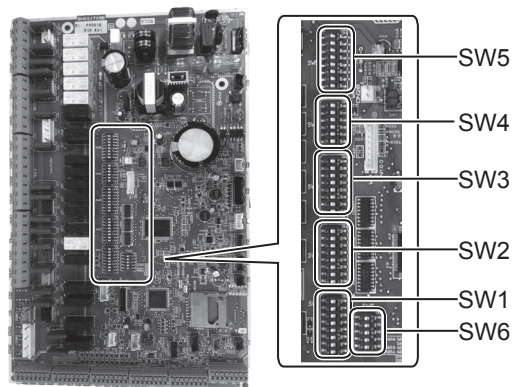
5.1 Fonction des commutateurs DIP

Le numéro des commutateurs DIP est imprimé sur la carte électronique à côté des commutateurs correspondants. Le mot « ON » (activé) est imprimé sur la carte électronique et sur le bloc des commutateurs DIP. Pour déplacer le commutateur, vous devez utiliser une pointe, le coin d'une règle métallique mince ou un objet similaire.

Les réglages de commutateurs DIP sont répertoriés ci-dessous dans le Tableau 5.1.1.

Seul un installateur autorisé peut décider s'il est nécessaire de modifier le réglage du commutateur DIP en fonction des conditions du site.

Assurez-vous de couper les alimentations électriques du module hydraulique et de l'unité extérieure avant de modifier les réglages des commutateurs.



<Figure 5.1.1>

Commutateur dip	Fonction	OFF	ON	Réglages par défaut : Modèle module hydraulique			
SW1	SW1-1	Chaudière	SANS chaudière	AVEC chaudière	OFF		
	SW1-2	Température d'eau maximale à la sortie de la pompe à chaleur	55 °C	60 °C	ON *1		
	SW1-3	Ballon d'ECS	SANS ballon d'ECS	AVEC ballon d'ECS	OFF		
	SW1-4	Résistance électrique ECS immergée	SANS résistance électrique ECS immergée	AVEC résistance électrique ECS immergée	OFF		
	SW1-5	Appoint électrique	SANS appoint électrique	AVEC appoint électrique	OFF: E***-MED ON : E***-M2/6/9*D		
	SW1-6	Fonction appoint électrique	Pour chauffage seulement	Pour chauffage et eau chaude	OFF: E***-MED ON : E***-M2/6/9*D		
	SW1-7	Type d'unité extérieure	Type Split	Type Package	OFF: Excepté EHPX-*M**D ON : EHPX-*M**D		
	SW1-8	Télécommande sans fil	SANS télécommande sans fil	AVEC télécommande sans fil	OFF		
SW2	SW2-1	Changement logique entrée (IN1) thermostat ambiance 1	Arrêt du fonctionnement Zone1 sur court-circuit thermostat	Arrêt du fonctionnement Zone1 sur ouverture thermostat	OFF		
	SW2-2	Changement logique entrée (IN2) régulateur de débit 1	Détection de défaillance sur court-circuit	Détection de défaillance sur ouverture	OFF		
	SW2-3	Restriction capacité de l'appoint électrique	Inactif	Fonction activée	OFF: Excepté E***-VM2D ON : E***-VM2D		
	SW2-4	Fonction du mode rafraîchissement	Inactif	Fonction activée	OFF: Excepté ERS*-M**D ON : ERS*-M**D		
	SW2-5	Commutateur automatique pour le fonctionnement de la source de chaleur de secours (lorsque l'unité extérieure s'arrête par erreur)	Inactif	Actif *2	OFF		
	SW2-6	Bouteille de découplage	SANS bouteille de découplage	AVEC bouteille de découplage	OFF		
	SW2-7	Contrôle de la température sur 2 zones	Inactif	Actif *6	OFF		
	SW2-8	Débitmètre	SANS débitmètre	AVEC débitmètre	ON		
SW3	SW3-1	Changement logique entrée (IN6) thermostat ambiance 2	Arrêt du fonctionnement Zone2 sur court-circuit thermostat	Arrêt du fonctionnement Zone2 sur ouverture thermostat	OFF		
	SW3-2	Changement logique régulateur de débit 2 et 3	Détection de défaillance sur court-circuit	Détection de défaillance sur ouverture	OFF		
	SW3-3	—	—	—	OFF		
	SW3-4	Compteur énergie électrique	SANS compteur énergie électrique	AVEC compteur énergie électrique	OFF		
	SW3-5	Fonctionnement en mode de chauffage *3	Inactif	Fonction activée	ON		
	SW3-6	Contrôle marche/arrêt de la vanne sur 2 zones	Inactif	Fonction activée	OFF		
	SW3-7	Échangeur pour ECS	Serpentin dans ballon	Plaque externe HEX	OFF		
	SW3-8	Compteur de chaleur	SANS Compteur de chaleur	AVEC Compteur de chaleur	OFF		
SW4	SW4-1	Commande de plusieurs unités extérieures	Inactif	Fonction activée	OFF		
	SW4-2	Position de la commande de plusieurs unités extérieures *7	Esclave	Maître	OFF		
	SW4-3	—	—	—	OFF		
	SW4-4	Fonctionnement du module hydraulique uniquement (pendant les travaux d'installation) *4	Inactif	Fonction activée	OFF		
	SW4-5	Mode urgence (fonctionnement chauffage seulement)	Normal	Mode urgence (fonctionnement chauffage seulement)	OFF *5		
	SW4-6	Mode urgence (fonctionnement chaudière)	Normal	Mode urgence (fonctionnement chaudière)	OFF *5		
SW5	SW5-1	—	—	—	OFF		
	SW5-2	Auto-adaptation avancée	Inactif	Fonction activée	ON		
	SW5-3	Code de capacité					
	SW5-4		SW5-3	SW5-4	SW5-5	SW5-6	SW5-7
	SW5-5	E*SC-*M**D	ON	ON	ON	ON	OFF
	SW5-6	E*SD-*M**D	ON	OFF	OFF	ON	OFF
	SW5-7	E*SE-*M*ED	OFF	ON	ON	OFF	ON
	SW5-8	EHPX-*M**D	OFF	OFF	OFF	OFF	OFF
SW6	SW6-1	—	—	—	OFF		
	SW6-2	—	—	—	OFF		
	SW6-3	Sonde de pression	Inactif	Fonction activée	OFF: Excepté E*SD-*M**D ON: E*SD-*M**D		
	SW6-4	Sortie analogique	Inactif	Fonction activée	OFF		
	SW6-5	—	—	—	OFF		

<Tableau 5.1.1>

Remarques : *1. Lorsque l'Ecodan hydrobox est raccordé à une unité extérieure PUHZ-RP dont la température d'eau maximale en sortie est de 55 °C, le commutateur dip SW1-2 doit être placé en position « OFF » (désactivé).

*2. OUT11 sera disponible. Pour des raisons de sécurité, cette fonction n'est pas disponible pour certaines erreurs. (Dans ce cas, le fonctionnement du système doit être arrêté en ne conservant que la pompe de circulation de l'eau en activité.)

*3. Ce commutateur ne fonctionne que lorsque l'Ecodan hydrobox est raccordé à une unité extérieure PUHZ-FRP. Lorsqu'un autre type d'unité extérieure est connectée, le fonctionnement en mode de chauffage est activé, indépendamment de la position sur « ON » (activé) ou « OFF » (désactivé).

*4. Le chauffage et l'eau chaude peuvent être utilisés avec le module hydraulique fonctionnant comme un chauffage électrique. (Reportez-vous à « 5.4 Fonctionnement du module hydraulique uniquement ».)

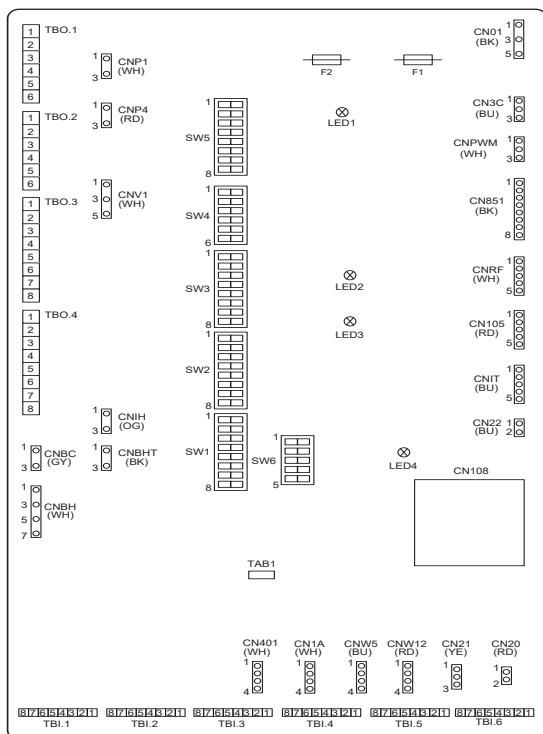
*5. Si le mode urgence n'est plus nécessaire, remplacez le commutateur sur la position « OFF » (désactivé).

*6. Activé seulement lorsque SW3-6 est réglé sur « OFF ».

*7. Activé seulement lorsque SW4-1 est réglé sur « ON ».

5 Configuration du système

5.2 Connexion des entrées/sorties



<Figure 5.2.1>

Caractéristiques du câblage et pièces de fourniture locale

Élément	Nom	Modèle et spécifications
Fonctionnement des signaux d'entrée	Fil du signal d'entrée	Utilisez un cordon ou un câble avec une gaine en vinyle. Max. 30 m Type de fil : CV, CVS ou équivalent Taille de fil : Fil multibrin de 0,13 mm ² à 0,52 mm ² Fil rigide : ø0,4 mm à ø0,8 mm
	Commutateur	Signaux de contact « a » sans tension Contacteur de télécommande : charge minimale applicable 12 V CC, 1 mA

Remarque :

Le fil multibrin doit être branché sur un bornier recouvert d'un isolant (type compatible avec la norme DIN46228-4).

■ Entrées des signaux

Nom	Bornier	Connecteur	Élément	« OFF » (ouvert)	« ON » (court-circuit)
IN1	TBI.1 7-8	—	Entrée thermostat d'ambiance 1 *1	Reportez-vous à SW2-1 dans <5.1 Fonction des commutateurs dip>.	
IN2	TBI.1 5-6	—	Entrée régulateur de débit 1	Reportez-vous à SW2-2 dans <5.1 Fonction des commutateurs dip>.	
IN3	TBI.1 3-4	—	Entrée régulateur de débit 2 (Zone1)	Reportez-vous à SW3-2 dans <5.1 Fonction des commutateurs dip>.	
IN4	TBI.1 1-2	—	Entrée contrôle de la demande	Normal	Source de chaleur sur OFF (désactivée)/Fonctionnement chaudière *3
IN5	TBI.2 7-8	—	Entrée thermostat extérieur *2	Fonctionnement PAC+Elec	Fonctionnement résistance/Fonctionnement chaudière *3
IN6	TBI.2 5-6	—	Entrée thermostat d'ambiance 2 *1	Reportez-vous à SW3-1 dans <5.1 Fonction des commutateurs dip>.	
IN7	TBI.2 3-4	—	Régulateur de débit 3 (Zone2)	Reportez-vous à SW3-2 dans <5.1 Fonction des commutateurs dip>.	
IN8	TBI.3 7-8	—	Compteur énergie électrique 1	*4	
IN9	TBI.3 5-6	—	Compteur énergie électrique 2		
IN10	TBI.2 1-2	—	Compteur de chaleur		
IN11	TBI.3 3-4	—	Entrée du réseau intelligent prêt	*5	
IN12	TBI.3 1-2	—			
INA1	TBI.4 1-3	CN1A	Débitmètre	—	—

*1. Réglez le délai du cycle marche/arrêt du thermostat d'ambiance sur 10 minutes ou plus ; dans le cas contraire, vous risquez d'endommager le compresseur.

*2. Si vous utilisez un thermostat extérieur pour contrôler le fonctionnement des résistances, cela risque de réduire la durée de vie des résistances et des pièces qui y sont associées.

*3. Pour activer le fonctionnement de la chaudière, utilisez la télécommande principale pour sélectionner « Chaudière » dans l'écran « Paramètres entrée externe » dans le menu Mise en service/Maintenance.

*4. Compteurs d'énergie électrique et compteurs de chaleur qu'il est possible de connecter

- Type à impulsions Contact hors tension pour la détection 12 V CC par FTC (Les broches TBI.2 1, TBI.3 5 et 7 ont une tension positive.)
- Durée de l'impulsion Temps état activé minimal : 40 ms
Temps état arrêté minimal : 100 ms
- Unité d'impulsion possible 0,1 impulsion/kWh 1 impulsion/kWh 10 impulsion/kWh
100 impulsion/kWh 1000 impulsion/kWh

Ces valeurs peuvent être définies par la télécommande principale. (Reportez-vous à l'arborescence du menu dans « Télécommande principale ».)

*5. En ce qui concerne le réseau électrique intelligent, reportez-vous au manuel du site Web.

■ Entrées des thermistances

Nom	Bornier	Connecteur	Élément	Modèle de pièce en option
TH1	—	CN20	Thermistance (Temp.Ambiante) (Option)	PAC-SE41TS-E
TH2	—	CN21	Thermistance (temp.Liquide frigo.)	—
THW1	—	CNW12 1-2	Thermistance (temp.Départ eau)	—
THW2	—	CNW12 3-4	Thermistance (temp.Retour eau)	—
THW5B	—	CNW5 3-4	Thermistance (temp. eau ballon d'ECS) (Option) *1	PAC-TH011TK2-E(5 m)/ PAC-TH011TKL2-E(30 m)
THW6	TBI.5 7-8	—	Thermistance (temp.Départ eau Zone1) (Option) *1	PAC-TH011-E
THW7	TBI.5 5-6	—	Thermistance (temp.Retour eau Zone1) (Option) *1	
THW8	TBI.5 3-4	—	Thermistance (temp.Départ eau Zone2) (Option) *1	PAC-TH011-E
THW9	TBI.5 1-2	—	Thermistance (temp.Retour eau Zone2) (Option) *1	
THW10	TBI.6 5-6	—	Thermistance (temp. de l'eau de la bouteille de découplage) (Option) *1	PAC-TH012HT-E(5 m)/ PAC-TH012HTL-E(30 m)
THWB1	TBI.6 7-8	—	Thermistance (temp.Départ eau chaudière) (Option) *1	

Veillez à câbler les fils des thermistances à une distance suffisante de la ligne d'alimentation et/ou des câblages OUT1 à 16.

*1. La longueur maximale du câblage des thermistances est de 30 m. Lorsque les fils des thermistances sont câblés sur des thermistances voisines, utilisez des cosses à anneau et isolez les fils.

La longueur des thermistances en option est de 5 m. Si vous avez besoin de faire des épissures et d'allonger les câblages, les points suivants doivent être respectés.

1) Connectez les câblages par brasage.

2) Isolez chaque point de connexion pour le protéger contre la poussière et l'eau.

5 Configuration du système

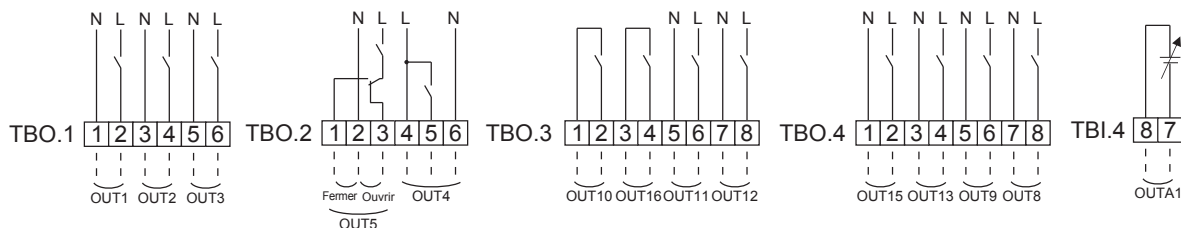
Sorties

Nom	Bornier	Connecteur	Élément	OFF	ON	Signal/courant max.	Courant total max.
OUT1	TBO.1 1-2	CNP1	Sortie pompe de circulation 1 (Chauffage/rafraîchissement et eau chaude)	OFF	ON	230 V CA, 1,0 A max. (courant d'appel 40 A max.)	4,0 A (a)
OUT2	TBO.1 3-4	—	Sortie pompe de circulation 2 (Chauffage/rafraîchissement pour Zone1)	OFF	ON	230 V CA, 1,0 A max. (courant d'appel 40 A max.)	
OUT3	TBO.1 5-6	—	Sortie pompe de circulation 3 (Chauffage/rafraîchissement pour Zone2) *1 Sortie vanne 2 voies n°2b *2	OFF	ON	230 V CA, 1,0 A max. (courant d'appel 40 A max.)	
OUT14	—	CNP4	Sortie pompe de circulation 4 (eau chaude)	OFF	ON	230 V CA, 1,0 A max. (courant d'appel 40 A max.)	
OUT4	TBO.2 4-6	CNV1	Sortie vanne 3 voies (vanne 2 voies n°1)	Chauffage	Eau chaude	230 V CA, 0,1 A max.	3,0 A (b)
	—	CN851	Sortie vanne 3 voies				
OUT5	TBO.2 1-2 TBO.2 2-3	—	Sortie vanne de mélange *1	Arrêt	Fermer Ouvrir	230 V CA, 0,1 A max.	
OUT6	—	CNBH 1-3	Sortie appoint électrique 1	OFF	ON	230 V CA, 0,5 A max. (relais)	3,0 A (b)
OUT7	—	CNBH 5-7	Sortie appoint électrique 2	OFF	ON	230 V CA, 0,5 A max. (relais)	
OUT8	TBO.4 7-8	—	Sortie signal rafraîchissement	OFF	ON	230 V CA, 0,5 A max.	
OUT9	TBO.4 5-6	CNIH	Sortie résistance électrique ECS immergée	OFF	ON	230 V CA, 0,5 A max. (relais)	
OUT11	TBO.3 5-6	—	Sortie erreur	Normal	Erreur	230 V CA, 0,5 A max.	
OUT12	TBO.3 7-8	—	Sortie dégivrage	Normal	Dégivrage	230 V CA, 0,5 A max.	
OUT13	TBO.4 3-4	—	Sortie vanne 2 voies n°2a *2	OFF	ON	230 V CA, 0,1 A max.	
OUT15	TBO.4 1-2	—	Signal comp « ON »	OFF	ON	230 V CA, 0,5 A max.	
OUT10	TBO.3 1-2	—	Sortie chaudière	OFF	ON	Contact sans tension ·220 - 240 V CA (30 V CC)	—
OUT16	TBO.3 3-4	—	Signal thermo ON Chauffage/Rafraîchissement	OFF	ON	0,5 A ou moins ·10 mA 5 V CC ou plus	
OUTA1	TBI.4 7-8	—	Sortie analogique	0 V-10 V		0-10 V DC 5mA max.	—

Ne raccordez pas les bornes qui sont indiquées par « — » dans le champ « Bornier ».

*1 Pour le contrôle de la température sur 2 zones.

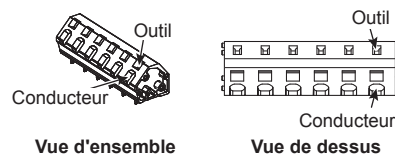
*2 Pour le contrôle marche/arrêt de la vanne sur 2 zones.



Caractéristiques du câblage et pièces de fourniture locale

Élément	Nom	Modèle et spécifications
Fonction sortie externe	Fil du signal de sortie	Utilisez un cordon ou un câble avec une gaine en vinyle. Max. 30 m Type de fil : CV, CVS ou équivalent Taille de fil : Fil multibrin de 0,25 mm ² à 1,5 mm ² Fil rigide : 0,25 mm ² à 1,5 mm ²

Utilisation des bornes TBO.1 à 4



Connectez-les selon les possibilités indiquées ci-dessus.

<Figure 5.2.2>

Remarques :

- Lorsque l'Ecodan hydrobox est alimenté via l'unité extérieure, le courant global maximal de (a)+(b) est 3,0 A.
- Ne branchez pas plusieurs pompes de circulation de l'eau directement sur chaque sortie (OUT1, OUT2, et OUT3). Dans ce cas, branchez-les via un ou plusieurs relais.
- Ne branchez pas les pompes de circulation de l'eau sur TBO.1 1-2 et CNP1 en même temps.
- Branchez un limiteur de surtension adapté sur OUT10 (TBO.3 1-2) en fonction de la charge sur site.
- Le fil multibrin doit être branché sur un bornier recouvert d'un isolant (type compatible avec la norme DIN46228-4).
- Utilisez la même chose que le fil du signal d'entrée du câblage OUTA1.

5.3 Câblage pour le contrôle de la température sur 2 zones

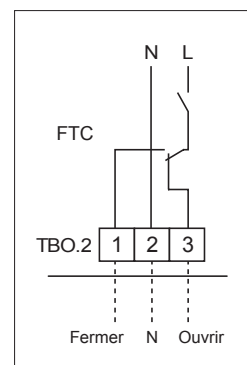
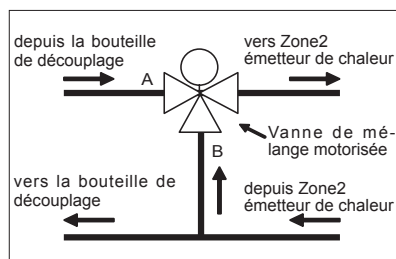
Connectez les tuyauteries et les composants fournis localement selon le schéma du circuit qui convient indiqué « système local » sous la section 3 de ce manuel.

<Vanne de mélange>

Connectez la ligne du signal vers le port ouvert A (port d'entrée eau chaude) sur TBO. 2-3 (Ouvrir), la ligne du signal vers le port ouvert B (port d'entrée eau froide) sur TBO. 2-1 (Fermer), et le fil de la borne neutre sur TBO. 2-2 (N).

<Thermistance>

- N'installez pas de thermistance sur la bouteille de découplage.
 - Installez la thermistance de température de départ d'eau de la Zone2 (THW8) à proximité de la vanne de mélange.
 - La longueur maximale du câblage des thermistances est de 30 m.
 - La longueur des thermistances en option est de 5 m. Si vous avez besoin de faire des épissures et d'allonger les câblages, les points suivants doivent être respectés.
- Connectez les câblages par brasage.
 - Isolez chaque point de connexion pour le protéger contre la poussière et l'eau.



5 Configuration du système

5.4 Fonctionnement du module hydraulique uniquement (pendant les travaux d'installation)

Dans le cas où un fonctionnement de l'ECS ou du chauffage est nécessaire avant le raccordement à l'unité extérieure, c'est-à-dire pendant les travaux d'installation, il est possible d'utiliser une résistance électrique dans le module hydraulique (*1).

*1 Modèle avec résistance électrique uniquement.

1. Pour commencer l'opération

- Assurez-vous que l'alimentation du module hydraulique sur « OFF » (désactivé) et placez les interrupteurs 4-4 et 4-5 sur la position « ON » (activé).
- Mettez l'alimentation du module hydraulique sur « ON » (activé).

2. Pour terminer l'opération *2

- Mettez l'alimentation du module hydraulique sur « OFF » (désactivé).
- Placez les interrupteurs 4-4 et 4-5 sur la position « OFF » (désactivé).

*2 Lorsque le fonctionnement du module hydraulique seul est terminé, veillez à vérifier les réglages une fois que le module hydraulique est connecté.

Remarque :

L'exécution prolongée de cette opération peut affecter la durée de vie de la résistance électrique.

5.5 Utilisation d'une carte mémoire SD

L'Ecodan hydrobox est équipé d'une interface de carte mémoire SD sur la carte FTC.

L'utilisation d'une carte mémoire SD peut simplifier les réglages de la télécommande principale et permet d'enregistrer les données de fonctionnement de la pompe à chaleur. *1

*1 Pour modifier les réglages de la télécommande principale ou pour vérifier les données de fonctionnement, le logiciel Ecodan SD tool est nécessaire (à utiliser avec un PC). Pour l'obtenir, contactez votre revendeur.

<Précautions à prendre pour la manipulation>

- (1) Utilisez une carte mémoire SD conforme aux normes SD. Vérifiez que la carte mémoire SD présente un logo tel que l'un de ceux représentés à droite.
- (2) Les cartes mémoire SD aux normes SD incluent les cartes mémoire SD, SDHC, miniSD, micro SD et microSDHC. Les capacités sont disponibles jusqu'à 32 Go. Choisissez-en une avec une température maximale admissible de 55°C.
- (3) Lorsque la carte mémoire SD est une carte mémoire miniSD, miniSDHC, microSD ou micro SDHC, utilisez un adaptateur de conversion de carte mémoire SD.
- (4) Avant d'écrire sur la carte mémoire SD, déverrouillez la protection d'écriture.



- (5) Avant d'insérer ou d'éjecter une carte mémoire SD, assurez-vous de mettre le système hors tension. Si une carte mémoire SD est insérée ou éjectée alors que le système est sous tension, cela risque d'altérer les données stockées ou d'endommager la carte mémoire SD.

*Une carte mémoire SD est active pendant quelques instants après la mise hors tension du système. Avant l'insertion ou l'éjection, attendez que les voyants LED de la carte électronique de régulation FTC soient tous éteints.

- (6) Les opérations de lecture et d'écriture ont été vérifiées en utilisant les cartes à mémoire SD suivantes ; toutefois, ces opérations ne sont pas toujours garanties, dans la mesure où les spécifications de ces cartes mémoire SD sont susceptibles d'être modifiées.

Fabricant	Modèle	Testé en
Verbatim	#44015	Mar. 2012
SanDisk	SDSDB-002G-B35	Oct. 2011
Panasonic	RP-SDP04GE1K	Oct. 2011
Arvato	2GB PS8032 TSB 24nm MLC	Juin. 2012
Arvato	2GB PS8035 TSB A19nm MLC	Juil. 2014
SanDisk	SDSDUN-008G-G46	Oct. 2016
Verbatim	#43961	Oct. 2016
Verbatim	#44018	Oct. 2016
VANTASTEK	VSDHC08	Sep. 2017

Avant d'utiliser une carte mémoire neuve SD (y compris la carte livrée avec l'unité), vérifiez toujours qu'il est possible de lire et d'écrire sur la carte mémoire SD avec la carte FTC.

<Comment vérifier les opérations de lecture et d'écriture>

- a) Vérifiez que le câblage de l'alimentation du système est correct. Pour plus de détails reportez-vous à la section 4.4.
(Ne mettez pas le système sous tension à ce stade.)
- b) Insérez une carte mémoire SD.
- c) Mettez le système sous tension.
- d) Le voyant LED4 s'allume si les opérations de lecture et d'écriture ce sont effectuées correctement. Si le voyant LED4 continue à clignoter ou ne s'allume pas, la carte FTC ne peut pas lire la carte mémoire SD ou écrire sur celle-ci.

- (7) Assurez-vous de suivre les instructions et les exigences du fabricant de la carte mémoire SD.

- (8) Formatez la carte mémoire SD si celle-ci s'est avérée illisible dans l'étape (6). Cela peut la rendre lisible.

Télécharger un programme de formatage de carte SD sur le site suivant. Page d'accueil de l'association SD : <https://www.sdcard.org/home/>

- (9) Le FTC prend en charge le système de fichiers FAT mais pas le système de fichiers NTFS.

- (10) Mitsubishi Electric n'est responsable d'aucun dommage, en totalité ou en partie, y compris en cas de défaillance d'écriture sur carte mémoire SD, ainsi que d'altération et de pertes de données, ou d'autres événements similaires. Sauvegardez les données enregistrées si nécessaire.

- (11) Ne touchez aucune pièce électronique sur la carte électronique de régulation FTC lorsque vous insérez ou insérez une carte mémoire SD, car cela risquerait de provoquer une défaillance de la carte électronique de régulation.

Logos



Capacités

2 Go à 32 Go *2

Classes de vitesse SD

Toutes

- Le logo SD Logo est une marque déposée de SD-3C, LLC.
- Le logo miniSD est une marque déposée de SD-3C, LLC.
- Le logo microSD est une marque déposée de SD-3C, LLC.

*2 Une carte mémoire SD de 2 Go stocke jusqu'à 30 jours de journaux de fonctionnement.

5 Configuration du système

■ [Assistant paramètres initiaux]

Lorsque la télécommande principale est allumée pour la première fois, l'écran passe automatiquement, dans l'ordre, sur l'écran Réglage de la langue, puis sur l'écran Réglage de la date/heure et enfin dans le menu Réglages principaux. Saisissez le nombre désiré en utilisant les touches de fonction et VALIDEZ pour confirmer.

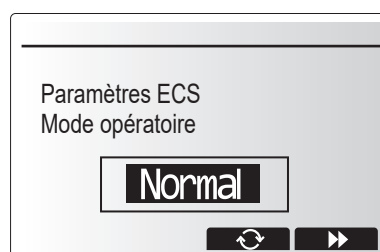
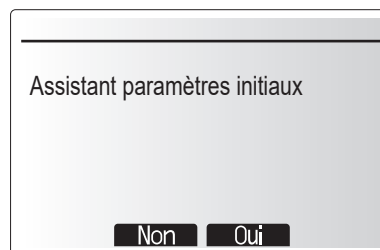
Remarque :

<[RESTRICTION CAPACITÉ CHAUF.]>

Ce réglage limite la puissance de la résistance électrique. Il n'est PAS possible de modifier ce réglage après le démarrage.

Si vous n'avez aucune exigence particulière (par exemple, des réglementations concernant la construction) dans votre pays, veuillez passer ce réglage (sélectionnez « Non »).

- [Eau chaude (eau chaude/Choc thermique)]
- [Chaud]/[Rafraîchissement]
- [Mode opératoire (ON/Interdit/Programmation)]
- [Vitesse circulateur]
- [Temp départ eau pompe chal.]
- [Contrôle vanne de mélange]
- [RESTRICTION CAPACITÉ CHAUF.]



■ Menu Réglages principaux

Il est possible d'accéder au menu des réglages principaux en appuyant sur le bouton MENU. Pour diminuer le risque que des utilisateurs non formés modifient de manière accidentelle les réglages, il existe deux niveaux d'accès aux réglages principaux, et le menu de la section maintenance comporte un mot de passe.

Niveau utilisateur - Appui court

Si vous appuyez une fois sur le bouton MENU pendant un court instant, les réglages principaux s'affichent mais la fonction de modification n'est pas disponible. Cela permet à l'utilisateur de consulter les réglages actuels mais PAS de modifier les paramètres.

Niveau installateur - Appui long

Si vous appuyez sur le bouton MENU pendant 3 secondes, les réglages principaux s'affichent et toutes les fonctionnalités sont disponibles.

La couleur des boutons ◀ ▶ est inversée conformément à la figure de droite. <Fig. 5.6.1>.

Il est possible de consulter ou de modifier les éléments suivants (en fonction du niveau d'accès).

- [Eau chaude sanitaire]
- [Chauffage]/[Rafraîchissement]
- [Programmation]
- [Mode vacances]
- [Réglage initial]
- [Mise en service/Maintenance (protégé par mot de passe)]



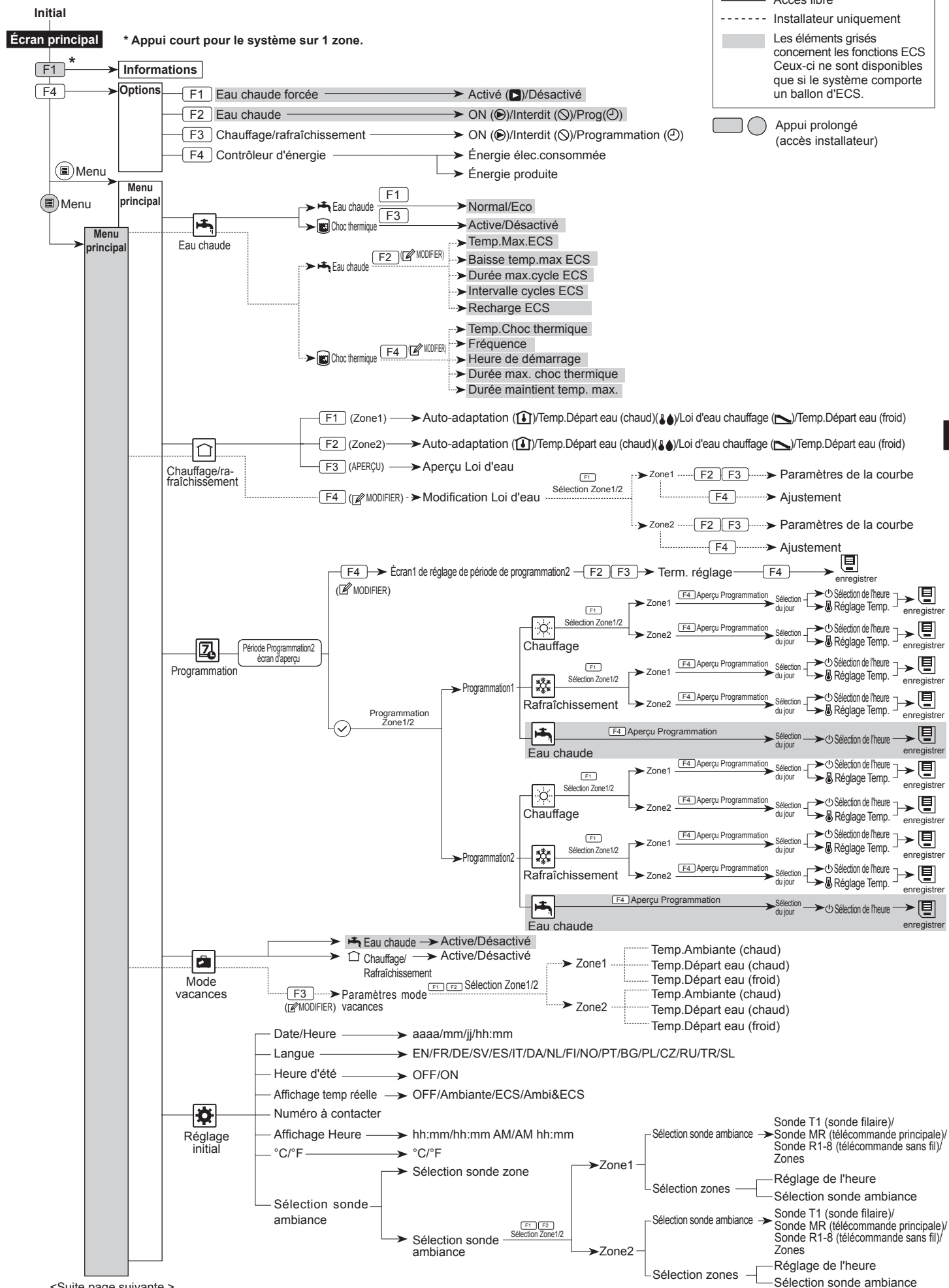
Menu principal



<Figure. 5.6.1>

5 Configuration du système

<Arborescence du menu de la télécommande principale>

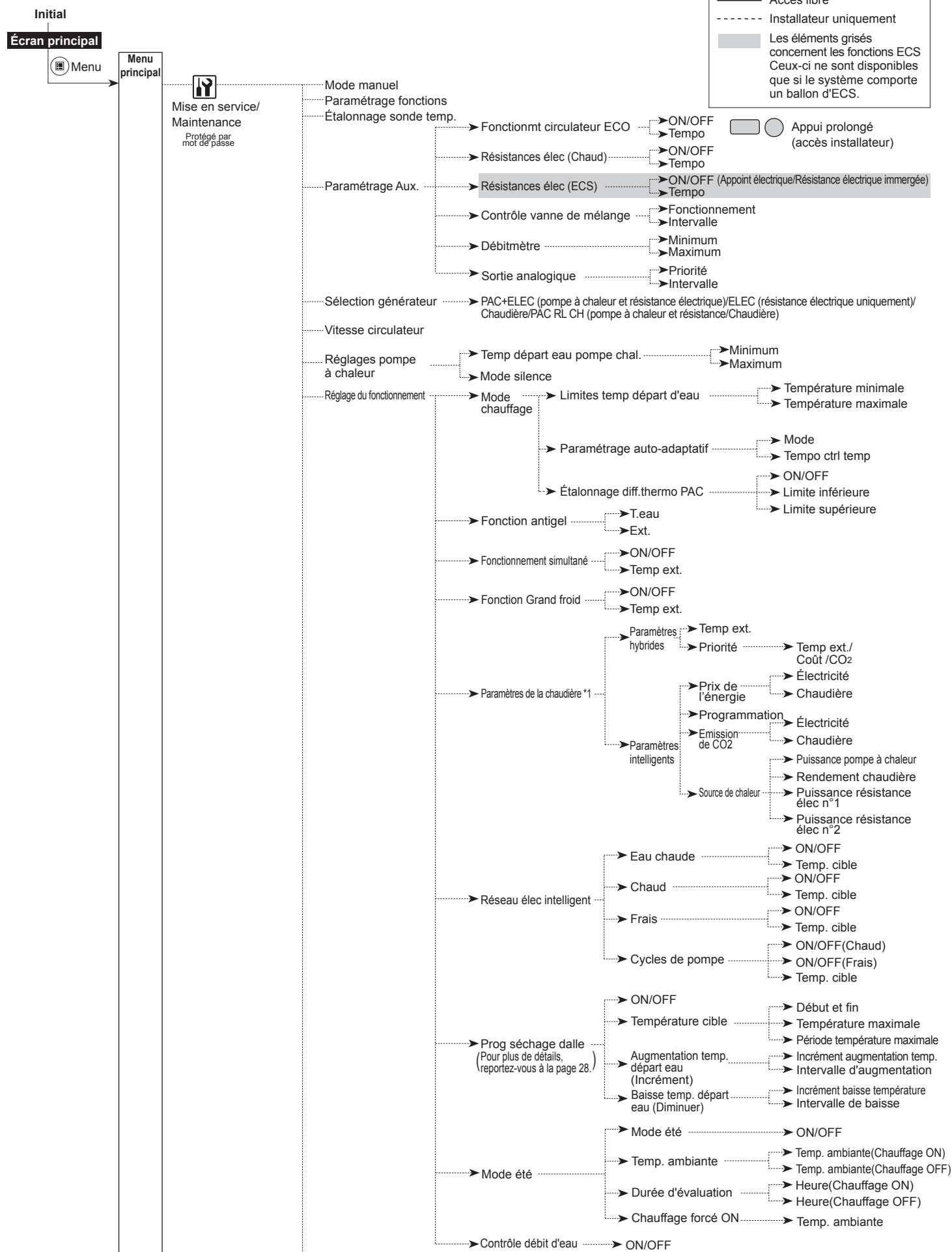


<Suite page suivante.>

5 Configuration du système

<Suite de la page précédente.>

<Arborescence du menu de la télécommande principale>



— Accès libre
 - - - - - Installateur uniquement
 ■ Les éléments grisés concernent les fonctions ECS
 Ceux-ci ne sont disponibles que si le système comporte un ballon d'ECS.

■ Appui prolongé (accès installateur)

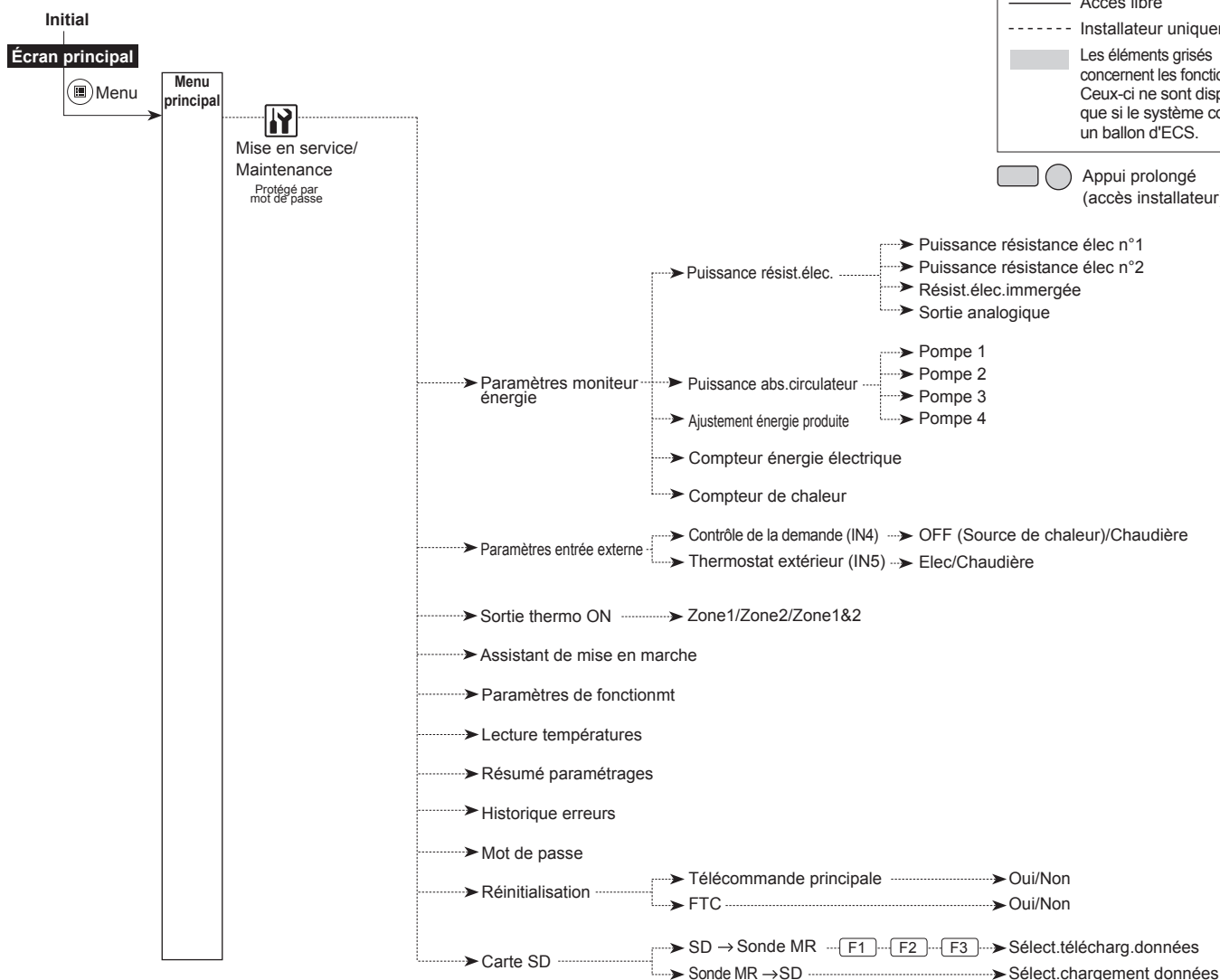
fr

*1 Pour plus de détails, reportez-vous au manuel d'installation de PAC-TH012HT(L)-E.

5 Configuration du système

<Suite de la page précédente.>

<Arborescence du menu de la télécommande principale>

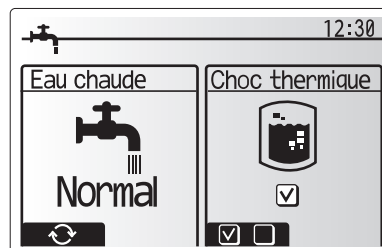


Eau chaude sanitaire/Choc thermique

Les menus Eau chaude sanitaire et Choc thermique contrôlent le fonctionnement du ballon d'ECS.

<Paramètres du mode ECS>

- Sélectionnez l'icône d'eau chaude et VALIDEZ pour confirmer.
- Utilisez le bouton F1 pour basculer entre les modes de chauffage Normal et ECO.
- Pour modifier le mode, appuyez sur le bouton MENU pendant 3 secondes, puis sélectionnez « eau chaude ».
- Appuyez sur la touche F2 pour afficher le menu PARAMÈTRES ECS.
- Utilisez les touches F2 et F3 pour défiler dans le menu et sélectionnez chaque composant à tour de rôle en VALIDANT pour confirmer. Voir le tableau ci-dessous pour la description de chaque réglage.
- Saisissez le nombre désiré en utilisant les touches de fonction et VALIDEZ pour confirmer.



Sous-titre de menu	Fonction	Plage	Unité	Valeur par défaut
Temp.Max.ECS	Température souhaitée de l'eau chaude stockée	40 - 60	°C	50
Baisse temp.max. ECS	Différence de température entre la température d'eau chaude maximale et la température à laquelle le mode ECS redémarre	5 - 30	°C	10
Durée max.cycle ECS	Durée maximale allouée pour le mode ECS de chauffage de l'eau stockée	30 - 120	min	60
Intervalle cycles ECS	Durée après le mode ECS pendant laquelle le chauffage a momentanément priorité sur le mode ECS pour empêcher un chauffage supplémentaire de l'eau stockée (Seulement lorsque la Durée max.cycle ECS est écoulée.)	30 - 120	min	30

* Lorsque la température d'ECS maximum est réglée à plus de 55°C, le mode ECS doit redémarrer à une température inférieure à 50°C afin de protéger l'appareil.

<Mode Eco>

Le mode ECS peut fonctionner soit en mode « Normal », soit en mode « Eco ». Le mode Normal chauffera l'eau dans le ballon d'ECS plus rapidement en utilisant toute la puissance de la pompe chaleur. Le mode Eco met un peu plus de temps à chauffer l'eau dans le ballon d'ECS mais il utilise moins d'énergie. Cela est dû au fait que le fonctionnement de la pompe à chaleur est limité par l'utilisation des signaux provenant du FTC basés sur la température mesurée du ballon d'ECS.

Remarque : L'énergie réelle économisée en mode Eco varie en fonction de la température extérieure.

<[Recharge ECS]>

Sélectionnez la quantité d'ECS. Si vous avez besoin de beaucoup d'eau chaude, sélectionnez GRAND.

Retournez au menu ECS/Choc thermique.

5 Configuration du système

Réglages du mode choc thermique (mode CT)

1. Utilisez le bouton F3 pour choisir d'activer le mode CT par OUI/NON.
2. Pour modifier la fonction Choc thermique, appuyez sur le bouton MENU pendant 3 secondes et sélectionnez « eau chaude », puis appuyez sur la touche F4.
3. Utilisez les touches F1 et F2 pour parcourir le menu et sélectionnez chaque sous-titre à tour de rôle en VALIDANT pour confirmer. Voir le tableau ci-dessous pour la description de chaque réglage.
4. Saisissez le nombre désiré en utilisant les touches de fonction et VALIDEZ pour confirmer.

Pendant le mode Choc thermique, la température de l'eau stockée est augmentée au-dessus de 60 °C afin d'empêcher la croissance de la bactérie légionelle. Il est vivement recommandé que cela s'effectue à intervalles réguliers. Vérifiez les réglementations locales pour connaître la fréquence recommandée des cycles de chauffe.

Remarque : En cas de défaillance sur l'Ecodan hydrobox, il se peut que le mode CT ne fonctionne pas normalement.

Sous-titre de menu	Fonction	Plage	Unité	Valeur par défaut
Temp.Choc thermique	Température souhaitée de l'eau chaude stockée	60–70	°C	65
Fréquence	Durée entre le chauffage du ballon d'ECS en mode CT	1–30	jour	15
Heure de démarrage	Heure à laquelle le mode CT va démarrer	0:00–23:00	—	03:00
Durée max. choc thermique	Durée maximale autorisée pour le chauffage du ballon d'ECS en mode CT	1–5	heure	3
Durée maintient temp. max.	Période de temps après que la température d'eau souhaitée en mode CT a été atteinte	1–120	min	30

Notez que le mode CT utilise l'assistance des résistances électriques pour compléter l'énergie d'entrée de la pompe à chaleur. Le chauffage de l'eau pendant des périodes prolongées n'est pas efficace et augmentera les coûts de fonctionnement. L'installateur doit examiner attentivement la nécessité d'un traitement de prévention contre la légionelle, tout en ne gaspillant pas l'énergie en chauffant l'eau stockée pendant des durées excessives. L'utilisateur doit comprendre l'importance de cette fonction.

CONFORMEZ-VOUS TOUJOURS AUX RECOMMANDATIONS LOCALES ET NATIONALES DE VOTRE PAYS EN CE QUI CONCERNE LA PRÉVENTION CONTRE LA LEGIONELLE.

[Réglage initial]

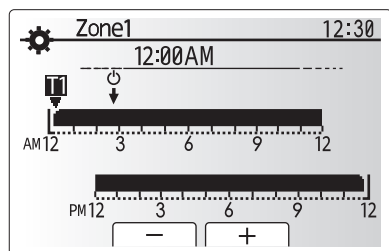
Dans le menu Réglage initial, l'installateur peut définir les éléments suivants :

- [Date/Heure] *Veillez à la configurer sur l'heure locale standard.
- [Langue]
- [Heure d'été]
- [Affichage temp réelle]
- [Numéro à contacter]
- [Affichage Heure]
- [°C/°F]
- [Sélection sonde ambiance]

Suivez la procédure décrite dans la section Fonctionnement général pour l'opération de configuration.

<[Sélection sonde ambiance]>

Pour la sélection de la sonde ambiance, il est important de choisir la sonde ambiance correcte en fonction du mode de chauffage selon lequel va fonctionner le système.



Écran Paramètre de programmation zones

Sous-titre de menu	Description																				
Sélection sonde zone	Lorsque la commande de température sur 2 zones est active et lorsque les télécommandes sans fil sont disponibles, sélectionnez dans l'écran Sélection sonde zone le numéro de zone à affecter à chaque télécommande.																				
Sélection sonde ambiance	Dans l'écran Sélection sonde ambiance, sélectionnez la sonde ambiance à utiliser pour surveiller séparément la température ambiante de la Zone1 et de la Zone2. <table border="1" data-bbox="949 1019 1481 1366"> <thead> <tr> <th rowspan="2">Option de commande (Manuel du site Web)</th> <th colspan="2">Capteur d'ambiance correspondant dans le réglage initial</th> </tr> <tr> <th>Zone1</th> <th>Zone2</th> </tr> </thead> <tbody> <tr> <td>A</td> <td>Sonde RC 1-8 (une de chaque pour Zone1 et Zone2)</td> <td>*1</td> </tr> <tr> <td>B</td> <td>Sonde T1</td> <td>*1</td> </tr> <tr> <td>C</td> <td>Sonde MR</td> <td>*1</td> </tr> <tr> <td>D</td> <td>*1</td> <td>*1</td> </tr> <tr> <td>Lorsque des sondes d'ambiance diffèrentes sont utilisées selon la programmation de l'heure</td> <td>Zones*2</td> <td>*1</td> </tr> </tbody> </table>	Option de commande (Manuel du site Web)	Capteur d'ambiance correspondant dans le réglage initial		Zone1	Zone2	A	Sonde RC 1-8 (une de chaque pour Zone1 et Zone2)	*1	B	Sonde T1	*1	C	Sonde MR	*1	D	*1	*1	Lorsque des sondes d'ambiance diffèrentes sont utilisées selon la programmation de l'heure	Zones*2	*1
Option de commande (Manuel du site Web)	Capteur d'ambiance correspondant dans le réglage initial																				
	Zone1	Zone2																			
A	Sonde RC 1-8 (une de chaque pour Zone1 et Zone2)	*1																			
B	Sonde T1	*1																			
C	Sonde MR	*1																			
D	*1	*1																			
Lorsque des sondes d'ambiance diffèrentes sont utilisées selon la programmation de l'heure	Zones*2	*1																			
	*1. Non spécifié (en cas d'utilisation d'un thermostat d'ambiance fourni localement Sondes RC1-8 (une de chaque pour Zone1 et Zone2) (En cas d'utilisation d'une télécommande sans fil comme thermostat d'ambiance) *2. Dans l'écran Sélection sonde ambiance, sélectionnez Zones pour permettre l'utilisation de différentes sondes d'ambiance conformément à la programmation de l'heure définie dans le menu Sélection zones. Les sondes d'ambiance peuvent être permuées jusqu'à 4 fois par 24 heures.																				

MR: Télécommande principale
RC1-8: Télécommande sans fil
T1: Sonde de température filaire

5 Configuration du système

Menu [Mise en service/Maintenance]

Le menu Mise en service/Maintenance fournit des fonctions qui servent à l'installateur ou au technicien d'entretien. Il N'EST pas prévu que le propriétaire de l'habitation modifie les réglages de ce menu. Pour cette raison, un mot de passe est nécessaire afin d'éviter un accès non autorisé aux réglages pour la maintenance.

Le mot de passe d'usine par défaut est « 0000 ».

Suivez la procédure décrite dans la section Fonctionnement général pour l'opération de configuration.

De nombreuses fonctions ne peuvent pas être définies pendant que le module hydraulique est en fonctionnement. L'installateur doit éteindre l'unité avant d'essayer de définir ces fonctions. Si l'installateur essaye de modifier les réglages pendant que l'unité est en fonctionnement, la télécommande principale affichera un message de rappel invitant l'installateur à arrêter le fonctionnement avant de poursuivre. Si vous choisissez « Oui », cela arrête l'unité.

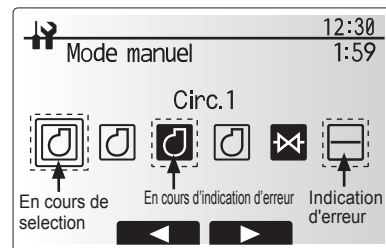
<[Mode manuel]>

Pendant le remplissage du système, il est possible de forcer manuellement la pompe de circulation du circuit primaire et la vanne 3 voies en utilisant le mode manuel.

Lorsque le mode manuel est sélectionné, une petite icône de programmeur apparaît sur l'écran. Lorsqu'il est sélectionné, cette fonction reste en mode manuel pendant 2 heures au maximum. Cela sert à éviter une neutralisation accidentelle permanente de la régulation FTC.

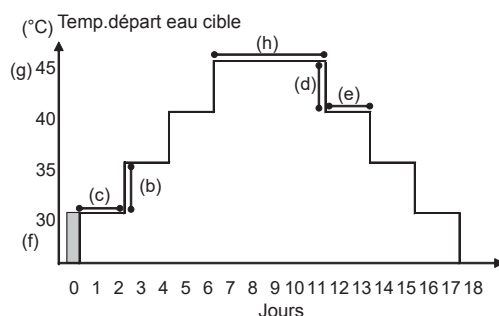
► Exemple

Un appui sur le bouton F3 active le mode manuel de la vanne 3 voies principale. Lorsque le remplissage du ballon d'ECS est terminé, l'installateur doit accéder de nouveau à ce menu et appuyer sur le bouton F3 pour désactiver le mode manuel de l'élément. D'autre part, au bout de 2 heures, le mode manuel n'est plus actif et la régulation FTC peut reprendre le contrôle de l'Ecodan hydrobox .



Écran du menu Mode manuel

Il n'est pas possible de sélectionner le Mode manuel et la Sélection générateur si le système est en fonctionnement. Dans ce cas, un écran s'affichera pour demander à l'installateur d'arrêter le système avant de pouvoir activer ces modes. Le système s'arrête automatiquement 2 heures après la dernière opération.



<[Prog séchage dalle]>

La fonction Fonction Séchage de dalle neuve modifie automatiquement la température d'eau chaude cible par étapes pour assécher progressivement le béton lorsque ce type particulier de système de plancher chauffant est installé.

Lorsque l'opération est terminée, le système arrête toutes les opérations sauf le fonctionnement antigel. Pour la Fonction séchage de dalle neuve, la temp. Départ eau cible de la Zone1 est la même que celle de la Zone2.

- Cette fonction n'est pas disponible lorsqu'une unité extérieure PUHZ-FRP est connectée.
- Déconnectez le câblage vers les entrées externes du thermostat d'ambiance, du contrôle de la demande et du thermostat extérieur, sinon la température de départ d'eau cible risque de ne pas être maintenue.

Fonctions	Symbole	Description	Option/Plage	Unité	Valeur par défaut	
Prog séchage dalle	a	Réglez la fonction sur ON (activé) et mettez le système sous tension en utilisant la télécommande principale, ce qui provoquera le démarrage du chauffage pour le séchage.	Activé/Désactivé	—	Désactivé	
Augmentation temp. départ eau (augmenter)	Palier augmentation temp	b	Définit le pas d'augmentation de la température de départ eau cible.	+1 à +10	°C	+5
	Intervalle d'augmentation	c	Définit la période pendant laquelle la même température de départ eau cible est maintenue.	1 à 7	jour	2
Augmentation temp. départ eau (diminuer)	Palier baisse température	d	Définit le pas de diminution de la température de départ eau cible.	-1 à -10	°C	-5
	Intervalle de baisse	e	Définit la période pendant laquelle la même température de départ eau cible est maintenue.	1 à 7	jour	2
Température cible	Début et fin	f	Définit la température de départ eau cible au début et à la fin de l'opération.	20 à 60	°C	30
	Température cible maximale	g	Définit la température de départ eau cible maximale.	20 à 60	°C	45
	Période température maximale	h	Définit la période pendant laquelle la même température de départ eau cible maximale est maintenue.	1 à 20	jour	5

<[Mot de passe]>

Un mot de passe est disponible pour empêcher un accès non autorisé au menu Mise en service/Maintenance par des personnes non formées.

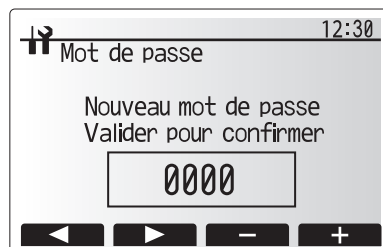
Réinitialisation du mot de passe

Si vous oubliez le mot de passe que vous avez saisi, ou si vous devez effectuer la maintenance sur une unité installée par une autre personne, vous pouvez réinitialiser le mot de passe à la valeur d'usine par défaut de 0000.

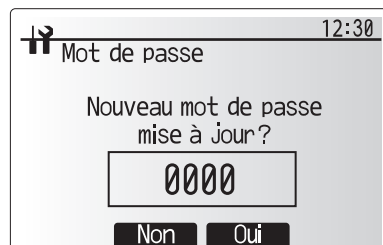
1. Dans le menu Réglages principaux, faites défiler les fonctions vers le bas jusqu'à mettre en évidence le menu Mise en service/Maintenance.
2. VALIDEZ pour confirmer.
3. Vous serez invité à saisir un mot de passe.
4. Maintenez les boutons F3 et F4 appuyés pendant 3 secondes.
5. Il vous est demandé si vous souhaitez poursuivre et réinitialiser le mot de passe au réglage par défaut.
6. Pour réinitialiser, appuyez sur le bouton F3.
7. Le mot de passe est maintenant réinitialisé à 0000.

<[Réinitialisation manuelle]>

Si vous souhaitez réinitialiser les réglages d'usine à un moment quelconque, vous devez utiliser la fonction de réinitialisation manuelle. Notez que cela réinitialisera TOUTES les fonctions aux réglages d'usine par défaut.



Écran de saisie du mot de passe



Écran de vérification du mot de passe

6 Entretien et maintenance

L'Ecodan hydrobox intérieur doit faire l'objet d'une maintenance **une fois par an** par un technicien qualifié. L'entretien et la maintenance de l'unité extérieure ne doivent être effectués que par un technicien Mitsubishi Electric formé et disposant des qualifications adéquates et de l'expérience appropriée. Tous les

travaux électriques devront être réalisés par une personne du métier disposant des qualifications électriques appropriées. Toute maintenance ou modification « bricolée » effectuée par une personne non agréée peut invalider la garantie, endommager l'Ecodan hydrobox et entraîner des blessures à la personne.

Codes d'erreur

Code	Erreur	Action
L3	Protection thermique de la température de circulation d'eau	Le débit peut être réduit. Contrôlez les éléments suivants : <ul style="list-style-type: none"> • Fuite d'eau • Colmatage du filtre • Fonctionnement de la pompe de circulation de l'eau (Un code d'erreur peut s'afficher pendant le remplissage du circuit primaire, terminez le remplissage et effacez le code d'erreur.)
L4	Protection thermique de la température d'eau du ballon d'ECS	Vérifiez la résistance électrique ECS immergée et son contacteur.
L5	Défaillance d'une thermistance (THW1, THW2, THW5B, THW6, THW7, THW8, THW9) de température du module hydraulique	Vérifiez la résistance de part et d'autre de la thermistance.
L6	Protection antigel de la circulation	Voir Action pour L3.
L8	Erreur de fonctionnement du chauffage	Vérifiez et refixez les thermistances qui se seraient détachées.
L9	Détection d'un faible débit dans le circuit primaire par le débitmètre ou un contrôleur de débit (contrôleurs de débit 1, 2, 3)	Voir Action pour L3. Si le débitmètre ou le contrôleur de débit ne fonctionne pas, remplacez-le. Attention : les vannes de la pompe peuvent être chaudes, faites attention.
LA	Défaillance de la sonde de pression	Vérifiez le câble de la sonde de pression en recherchant des dommages ou des connexions desserrées.
LB	Protection haute pression	<ul style="list-style-type: none"> • Le débit du circuit de chauffage est peut-être réduit. Vérifiez le circuit d'eau. • L'échangeur à plaques est peut-être obstrué. Vérifier l'échangeur à plaques. • Défaillance de l'unité extérieure. Reportez-vous au manuel SAV de l'unité extérieure.
LC	Protection thermique de la température de circulation de la chaudière	<p>Vérifiez si la température de réglage de la chaudière pour le chauffage dépasse la limite. (Voir le manuel des thermistances, « PAC-TH012HT-E »)</p> <p>Le débit du circuit de chauffage provenant de la chaudière est peut-être réduit. Recherchez les éléments suivants :</p> <ul style="list-style-type: none"> • fuite d'eau, • colmatage du filtre • fonctionnement de la pompe de circulation de l'eau.
LD	Défaillance d'une thermistance (THWB1) de température chaudière	Vérifiez la résistance de part et d'autre de la thermistance.
LE	Erreur de fonctionnement de la chaudière	Voir Action pour L8. Vérifiez l'état de la chaudière.
LF	Défaillance du débitmètre	Vérifiez le câble du débitmètre en recherchant des dommages ou des connexions desserrées.
LH	Protection antigel de la circulation de la chaudière	Le débit du circuit de chauffage provenant de la chaudière est peut-être réduit. Recherchez les éléments suivants : <ul style="list-style-type: none"> • fuite d'eau • colmatage du filtre • fonctionnement de la pompe de circulation de l'eau.
LJ	Erreur de fonctionnement ECS (type de plaque externe HEX)	<ul style="list-style-type: none"> • Recherchez des déconnexions de la thermistance temp. inférieure eau ballon d'ECS (THW5B). • Le débit du circuit sanitaire est peut-être réduit. • Vérifiez le fonctionnement de la pompe de circulation de l'eau. (Primaire/sanitaire)
LL	Erreur de réglage des commutateurs DIP sur la carte électronique de régulation FTC	<p>Pour le fonctionnement de la chaudière, vérifiez que le commutateur DIP SW1-1 est réglé sur ON (Avec chaudière) et que le commutateur DIP SW2-6 est réglé sur ON (Avec bouteille de découplage).</p> <p>Pour le contrôle de la température sur 2 zones, vérifiez que le commutateur DIP SW2-7 est réglé sur ON (2 zones) et que le commutateur DIP SW2-6 est réglé sur ON (Avec bouteille de découplage).</p>
LP	Hors de la plage de débit d'eau pour l'unité extérieure de la pompe à chaleur	<p>Vérifiez l'installation sur le Tableau 4.3.1</p> <p>Vérifiez les réglages de la télécommande (Menu Mise en service / Maintenance / limites de départ d'eau de la pompe à chaleur)</p> <p>Voir Action pour L3.</p>
P1	Défaillance de la thermistance (temp. ambiante) (TH1)	Vérifiez la résistance de part et d'autre de la thermistance.
P2	Défaillance de la thermistance (temp. Liquide frigo.) (TH2)	Vérifiez la résistance de part et d'autre de la thermistance.
P6	Protection antigel de l'échangeur à plaque	<p>Voir Action pour L3.</p> <p>Vérifiez que la quantité de fluide frigorigène est correcte.</p>
J0	Erreur de communication entre le FTC et le récepteur sans fil	Vérifiez le câble de connexion en recherchant des dommages ou des connexions desserrées.
J1 - J8	Erreur de communication entre le récepteur sans fil et la télécommande sans fil	<p>Vérifiez si la batterie de la télécommande sans fil n'est pas épuisée.</p> <p>Vérifiez l'appariement entre le récepteur sans fil et la télécommande sans fil.</p> <p>Testez la communication sans fil. (voir le manuel du système sans fil)</p>
E0 - E5	Défaillance de communication entre la télécommande principale et le FTC	Vérifiez le câble de connexion en recherchant des dommages ou des connexions desserrées.
E6 - EF	Erreur de communication entre le FTC et l'unité extérieure	<p>Vérifiez que l'unité extérieure n'a pas été éteinte.</p> <p>Vérifiez le câble de connexion en recherchant des dommages ou des connexions desserrées.</p> <p>Reportez-vous au manuel SAV de l'unité extérieure.</p>
E9	L'unité extérieure ne reçoit aucun signal en provenance du module hydraulique.	Vérifiez que les deux unités sont en marche. Vérifiez le câble de connexion en recherchant des dommages ou des connexions desserrées. Reportez-vous au manuel SAV de l'unité extérieure.
EE	Erreur de combinaison entre le FTC et l'unité extérieure	Vérifiez la combinaison entre le FTC et l'unité extérieure.
U*, F*	Défaillance de l'unité extérieure	Reportez-vous au manuel SAV de l'unité extérieure.
A*	Erreur de communication M-NET	Reportez-vous au manuel SAV de l'unité extérieure.

Remarque : Pour annuler les codes d'erreur, éteignez le système (appuyez sur le bouton F4(Réinitialiser), sur la télécommande principale).

6 Entretien et maintenance

Maintenance annuelle

Il est indispensable que l'Ecodan hydrobox fasse l'objet d'une maintenance au moins une fois par an par une personne qualifiée. Les pièces nécessaires DOIVENT être achetées auprès de Mitsubishi Electric (pour des raisons de sécurité).

NE JAMAIS contourner les dispositifs de sécurité ou faire fonctionner l'unité lorsqu'ils ne sont pas pleinement opérationnels.

Remarques

- Au cours des deux premiers mois qui suivent l'installation, retirez et nettoyez le filtre de l'Ecodan hydrobox ainsi que les filtres potentiellement installés à l'extérieur de l'Ecodan hydrobox. Cela est particulièrement important pour une installation sur un système de tuyauterie ancien/existant.
- La PRV (n° 11 sur la Figure 3.3 et 3.4) doit être vérifiée annuellement en tournant la manette manuellement afin que la solution soit vidangée, nettoyant ainsi le siège du joint.

Outre la maintenance annuelle, il est nécessaire de remplacer ou d'inspecter certaines pièces au bout d'un certain temps de fonctionnement. Pour des instructions détaillées, consultez les tableaux ci-dessous. Le remplacement et l'inspection des pièces doivent toujours être effectués par une personne compétente ayant reçu une formation appropriée et disposant des qualifications adaptées.

Pièces nécessitant un remplacement régulier

Pièces	À remplacer tous les	Défaillances possibles
Soupape de sécurité (3 bar) Purgeur d'air (Auto/Manuel) Manomètre	6 ans	Fuite d'eau

Pièces nécessitant une inspection régulière

Pièces	À vérifier tous les	Défaillances possibles
Soupape de sécurité (3 bar) Température et soupape de sécurité	1 an (tourner la manette manuellement)	La PRV sera fixée et le vase d'expansion explosera
Résistance électrique immergée	2 ans	Perte à la terre provoquant l'activation du disjoncteur (la résistance est toujours à l'arrêt)
Pompe de circulation de l'eau (circuit primaire)	20 000 heures (3 ans)	Défaillance de la pompe de circulation de l'eau

Pièces qui NE doivent PAS être réutilisées lors de la maintenance

- * Joint torique
- * Joint statique

Remarque :

- Remplacez toujours le joint statique de la pompe par un joint statique neuf lors de chaque opération de maintenance régulière (toutes les 20 000 heures d'utilisation ou tous les 3 ans).
- * Il n'est pas nécessaire d'inspecter la soupape de sécurité (5 bar) car elle n'entre en contact avec l'eau que si la PRV de 3 bar est cassée.

Formulaire à usage des techniciens

Si les réglages sont modifiés par rapport aux valeurs par défaut, saisissez et enregistrez le nouveau réglage dans la colonne « Réglage sur site ». Cela facilitera la réinitialisation dans le futur si l'utilisation du système est modifiée ou si la carte de circuit imprimé doit être remplacée.

Feuille d'enregistrement des réglages à la mise en service/sur site

Écran de la télécommande principale		Paramètres	Réglage par défaut	Réglage sur site	Remarques	
Menu principal	Temp.Ambiante (chaud) Zone1	10°C à 30°C	20°C			
	Temp.Ambiante (chaud) Zone2 *14	10°C à 30°C	20°C			
	temp.Départ eau (chaud) Zone1	20°C à 60°C	45°C			
	temp.Départ eau (chaud) Zone2 *1	20°C à 60°C	35°C			
	temp.Départ eau (froid) Zone1 *12	5°C à 25°C	15°C			
	temp.Départ eau (froid) Zone2 *12	5°C à 25°C	20°C			
	Loi d'eau chauffage Zone1	-9°C à +9°C	0°C			
	Loi d'eau chauffage Zone2 *1	-9°C à +9°C	0°C			
Options	Mode vacances	Fonction activée/Fonction non activée/Heure définie	—			
	Fonctionnement Eau chaude forcée	Activé/Désactivé	—			
	Eau chaude	Activé/Désactivé/Prog	Activé			
	Chauffage/Rafraîchissement	Activé/Désactivé/Prog	Activé			
Réglage	Eau chaude *13	Contrôleur d'énergie	Energie élec.consommée/énergie produite	—		
		Mode opératoire	Normal/Eco *16	Normal		
		Temp.Max.ECS	40°C à 60°C *2	50°C		
		Baisse temp.ECS	5°C à 30°C	10°C		
		Durée max.cycle ECS	30 à 120 min	60 min		
		Restriction du mode ECS	30 à 120 min	30 min		
		Recharge ECS	Grand/PAC+ELEC	Grand *19		
		Fonction activée	Oui/Non	Oui		
	Choc thermique *13	Temp.Choc thermique	60°C à 70°C *2	65°C		
		Fréquence	1 à 30 jours	15 jours		
		Heure de démarrage	00:00 à 23:00	03:00		
		Durée max. choc thermique	1 à 5 heures	3 heures		
	Chauffage/Rafraîchissement *12	Durée maintient temp. max.	1 à 120 min	30 min		
		Mode opératoire Zone1	temp.Ambiante (chaud)/ temp.Départ eau (chaud)/ Loi d'eau chauffage/temp.Départ eau (froid)	Temp.ambiante		
	Loi d'eau	Mode opératoire Zone2 *1	temp.Ambiante (chaud)/ temp.Départ eau (chaud)/ Loi d'eau chauffage/temp.Départ eau (froid)	Loi d'eau		
		Point de réglage Temp.Départ eau haut	Temp.ambiante extérieure Zone1	-30°C à +33°C *3	-15°C	
			Temp.Départ eau Zone1	20°C à 60°C	50°C	
			Temp.ambiante extérieure Zone2 *1	-30°C à +33°C *3	-15°C	
			Temp.Départ eau Zone2 *1	20°C à 60°C	40°C	
		Point de réglage Temp.Départ eau bas	Temp.ambiante extérieure Zone1	-28°C à +35°C *4	35°C	
Temp.Départ eau Zone1			20°C à 60°C	25°C		
Temp.ambiante extérieure Zone2 *1			-28°C à +35°C *4	35°C		
Temp.Départ eau Zone2 *1			20°C à 60°C	25°C		
Ajuster		Temp.ambiante extérieure Zone1	-29°C à +34°C *5	—		
		Temp.Départ eau Zone1	20°C à 60°C	—		
		Temp.ambiante extérieure Zone2 *1	-29°C à +34°C *5	—		
	Temp.Départ eau Zone2 *1	20°C à 60°C	—			
Vacances	Eau chaude *13	Fonction activée/Fonction non activée	Fonction non activée			
	Chauffage/Rafraîchissement *12	Fonction activée/Fonction non activée	Fonction activée			
	Temp.Ambiante (chaud) Zone1	10°C à 30°C	15°C			
	Temp.Ambiante (chaud) Zone2 *14	10°C à 30°C	15°C			
	temp.Départ eau (chaud) Zone1	20°C à 60°C	35°C			
	temp.Départ eau (chaud) Zone2 *1	20°C à 60°C	25°C			
	temp.Départ eau (froid) Zone1 *12	5°C à 25°C	25°C			
	temp.Départ eau (froid) Zone2 *12	5°C à 25°C	25°C			

(Suite page suivante.)

■ Formulaire à usage des techniciens

Feuille d'enregistrement des réglages à la mise en service/sur site

Écran de la télécommande principale		Paramètres		Réglage par défaut	Réglage sur site	Remarques		
Réglage	Réglage initial	Langue	EN/FR/DE/SV/ES/IT/DA/NL/FI/NO/PT/BG/PL/CZ/RU/TR/SL	EN				
		°C/°F	°C/°F	°C				
		Heure d'été	Activé/Désactivé	Désactivé				
		Affichage temp.	Ambiante/ECS/Ambi&ECS/OFF	Désactivé				
		Affichage Heure	hh:mm/hh:mm AM/AM hh:mm	hh:mm				
		Réglages sonde ambiance pour Zone1	Sonde T1/Sonde MR/Sonde R1-8/« Zones »	sonde T1				
		Réglages sonde ambiance pour Zone2 *1	Sonde T1/Sonde MR/Sonde R1-8/« Zones »	sonde T1				
		Sélectionner zone sonde RC *1	Zone1/Zone2	Zone1				
Menu Maintenance	Ajustement thermistance	THW1	-10°C à +10°C	0°C				
		THW2	-10°C à +10°C	0°C				
		THW5B	-10°C à +10°C	0°C				
		THW6	-10°C à +10°C	0°C				
		THW7	-10°C à +10°C	0°C				
		THW8	-10°C à +10°C	0°C				
		THW9	-10°C à +10°C	0°C				
		THW10	-10°C à +10°C	0°C				
		THWB1	-10°C à +10°C	0°C				
		Paramétrage Aux.	Fonctionmt circulateur ECO.	Activé/Désactivé *6	Tempo (3 à 60 min)	Activé	10 min	
	Résistance électrique (Chauffage)		Chauffage : Activé (utilisé)/Désactivé (non utilisé)	Programmeur tempo résistance électrique (5 à 180 min)	Activé	30 min		
	Résistance électrique (Eau chaude) *13		Appoint électrique	Eau chaude : Activé (utilisé)/Désactivé (non utilisé)		Activé		
			Résistance électrique immergée	Eau chaude : Activé (utilisé)/Désactivé (non utilisé)		Activé		
			Programmeur tempo résistance électrique (15 à 30 min)			15 min		
	Contrôle vanne de mélange		Fonctionnement (10 à 240 s)			120 s		
			Intervalle (1 à 30 min)			2 min		
	Débitmètre *18		Minimum (0 à 100 L/min)			5 L/min		
			Maximum (0 à 100 L/min)			100 L/min		
	Sortie analogique		Intervalle (1 à 30 min)			5 min		
		Priorité (Normal/Élevé)			Normal			
Vitesse circulateur	Eau chaude	Vitesse circulateur (1 à 5)		5				
	Chauffage/Rafraîchissement	Vitesse circulateur (1 à 5)		5				
Sélection générateur		PAC+Elec/Elec/Chaudière/Hybride *7		PAC+ELEC				
réglages pompe à chaleur	Temp départ eau pompe chal.	Minimum (0 à 100 L/min)		5 L/min				
		Maximum (0 à 100 L/min)		100 L/min				
	Mode silence	Jour (LUN - DIM)		—				
		Heure		0:00 - 23:45				
		Niveau de silence (Normal/Niveau 1/Niveau 2)		Normal				
Réglage du fonctionnement	Mode chauffage *8	Limites temp départ d'eau *10	Température minimale (20 à 45°C)		30°C			
			Température maximale (35 à 60°C)		50°C			
		Paramétrage auto-adaptatif *15	Mode (Normal/Puissant)		Normal			
		Intervalle (10 à 60 min)		10min				
	Etalonnage diff. thermo PAC	Activé/Désactivé *6		Activé				
		Limite inférieure (-9 à -1°C)		-5°C				
		Limite supérieure (+3 à +5°C)		5°C				
	Fonction antigel *11	Temp.ambiante extérieure (3 à 20°C) **		5°C				
	Fonctionnement simultané (Eau chaude/Chauffage)	Activé/Désactivé *6	Temp.ambiante extérieure (-30 à +10°C) *3		Désactivé	-15°C		
	Fonction Grand froid	Activé/Désactivé *6	Temp.ambiante extérieure (-30 à -10°C) *3		Désactivé	-15°C		
	Fonctionnement chaudière	Paramètres hybrides	Temp.ambiante extérieure (-30 à +10°C) *3		-15°C			
			Mode Priorité (Ambiante/Coût/CO ₂) *17		Ambiante			
			Augmentation temp. ambiante extérieure (+1 à 5°C)		+3°C			
		Paramètres intelligents	Prix de l'énergie *9	Electricité (0,001 à 999 */kWh)		0,5 */kWh		
				Chaudière (0,001 à 999 */kWh)		0,5 */kWh		
Emission de CO ₂			Electricité (0,001 à 999 kg -CO ₂ /kWh)		0,5 kg -CO ₂ /kWh			
		Chaudière (0,001 à 999 kg -CO ₂ /kWh)		0,5 kg -CO ₂ /kWh				
Source de chaleur		Puissance pompe à chaleur (1 à 40 kW)			11,2 kW			
		Rendement chaudière (25 à 150%)			80%			
		Puissance appoint électrique n°1 (0 à 30 kW)			2 kW			
	Puissance appoint électrique n°2 (0 à 30 kW)			4 kW				

(Suite page suivante.)

6 Entretien et maintenance

■ Formulaire à usage des techniciens

Feuille d'enregistrement des réglages à la mise en service/sur site (suite de la page précédente)

Écran de la télécommande principale				Paramètres		Réglage par défaut	Réglage sur site	Remarques
	Menu Maintenance	Réglage du fonctionnement	Réseau élec intelligent	Eau chaude	Activé/Désactivé	Désactivé		
					Temp. cible (+1 à +20°C) / -- (désactivée)	--		
				Chauffage	Activé/Désactivé	Désactivé		
					Temp. cible	Recommandation pour la mise en marche (20 à 60°C)	50°C	
						Commande de mise en marche (20 à 60°C)	55°C	
			Rafraîchissement	Activé/Désactivé	Désactivé			
				Temp. cible	Recommandation pour la mise en marche (5 à 25°C)	15°C		
					Commande de mise en marche (5 à 25°C)	10°C		
			Cycles de pompe	Chauffage (Activé/Désactivé)	Activé			
				Rafraîchissement (Activé/Désactivé)	Activé			
				Intervalle (10 à 120 min)	10 min			
			Prog séchage dalle	Activé/Désactivé *6	Désactivé			
				Temp. cible	Début et fin (20 à 60°C)	30°C		
					Température maximale (20 à 60°C)	45°C		
					Période température maximale (1 à 20 jours)	5 jours		
	Augmentation temp. départ eau (Incrément)	Incément augmentation temp. (+1 à +10°C)		+5°C				
		Intervalle d'augmentation (1 à 7 jours)		2 jours				
	Baisse temp. départ eau (Diminuer)	Incément baisse température (-1 à -10°C)		-5°C				
		Intervalle de baisse (1 à 7 jours)		2 jours				
	Mode été	Activé/Désactivé		Désactivé				
		Temp. ambiante extérieure		Chauffage ON (4 à 19°C)	10°C			
			Chauffage OFF (5 à 20°C)	15°C				
		Durée d'évaluation	Chauffage ON (1 à 48 heures)	6 heures				
			Chauffage OFF (1 à 48 heures)	6 heures				
	Chauffage forcé ON (-30 à 10 °C)	5°C						
	Contrôle débit d'eau	Activé/Désactivé	Désactivé					
	Paramètres moniteur énergie	Puissance résist. élec.	Puissance appoint électrique n°1	0 à 30 kW	2kW			
			Puissance appoint électrique n°2	0 à 30 kW	4kW			
			Puissance résist. élec.immergée	0 à 30 kW	0kW			
			Sortie analogique	0 à 30 kW	0kW			
Ajustement énergie produite			-50 à +50%	0%				
Puissance abs. circulateur		Circ.1	0 à 200 W ou ***(pompe installée en usine)	***				
		Circ.2	0 à 200 W	0 W				
		Circ.3	0 à 200 W	0 W				
		Circ.4 *19	0 à 200 W	72W				
Compteur énergie électrique			0,1/1/10/100/1 000 impulsions/kWh	1 impulsion/kWh				
Compteur de chaleur		0,1/1/10/100/1 000 impulsions/kWh	1 impulsion/kWh					
Paramètres entrée externe	Contrôle de la demande (IN4)	Source de chaleur OFF/Fonctionnement chaudière	Fonctionnement chaudière					
	Thermostat extérieur (IN5)	Fonctionnement résistance/Fonctionnement chaudière	Fonctionnement chaudière					
Sortie thermo ON		Zone1/Zone2/Zone1&2	Zone1&2					

*1 Les réglages concernant la Zone2 ne peuvent être basculés que lorsque le contrôle de la température sur 2 zones est activé (lorsque les commutateurs DIP SW2-6 et SW2-7 sont sur ON).

*2 Pour le modèle sans appoint électrique et résistance électrique immergée, il est possible que la température définie ne soit pas atteinte, selon la température extérieure.

*3 La limite inférieure est -15°C, selon l'unité extérieure raccordée.

*4 La limite inférieure est -13°C, selon l'unité extérieure raccordée.

*5 La limite inférieure est -14°C, selon l'unité extérieure raccordée.

*6 On : la fonction est activée ; Off : la fonction est désactivée.

*7 Lorsque le commutateur DIP SW1-1 est réglé sur OFF « SANS chaudière » ou si SW2-6 est réglé sur OFF « SANS bouteille de découplage », il n'est pas possible de sélectionner Chaudière ou Hybride.

*8 Valide seulement pour le fonctionnement en mode paramétrage auto-adaptatif.

*9 Le symbole « * » dans «*/kWh » représente l'unité monétaire (par exemple, €, £ ou autre devise)

*10 Valide seulement pour le fonctionnement en Temp. Ambiante.

*11 Si vous sélectionnez l'astérisque (**), la fonction antigel sera désactivée. (C'est-à-dire que l'eau du circuit primaire risque de geler.)

12 Les réglages du mode de rafraîchissement sont disponibles pour le modèle ERS seulement.

*13 Disponible seulement si le système comporte un ballon d'ECS.

*14 Les réglages concernant la Zone2 ne peuvent être basculés que lorsque le contrôle de la température sur 2 zones ou de la vanne sur 2 zones est activé.

*15 Lorsque le commutateur DIP SW5-2 est réglé en position « OFF », la fonction est activée.

*16 Lorsque l'Ecodan hydrobox est raccordé à une unité extérieure PUMY-P, le mode est défini sur « Normal ».

*17 Lorsque l'Ecodan hydrobox est raccordé à une unité extérieure PUMY-P, le mode est défini sur « Ext. »

*18 Ne modifiez pas le réglage, car il est défini en fonction de la spécification du débitmètre qui équipe l'Ecodan hydrobox.

*19 Ce réglage est valide pour l'Ecodan hydrobox duo seulement.

fr

1. Veiligheidskennisgevingen 2

2. Inleiding 3

3. Technische informatie 4

4. Installatie 11

 4.1 Locatie 11

 4.2 Waterkwaliteit en voorbereiding van het systeem 13

 4.3 Waterleidingwerk 14

 4.4 Elektrische aansluiting 16

5. Systeeminstallatie 18

 5.1 Functies van Dip-schakelaars 18

 5.2 Ingangen/uitgangen aansluiten 19

 5.3 Bedrading voor 2-zone-temperatuurregeling 20

 5.4 Alleen binnenunit-werking (tijdens installatiewerkzaamheden) 21

 5.5 Een SD-geheugenkaart gebruiken 21

 5.6 Hoofdbediening 22

6. Service en Onderhoud 29

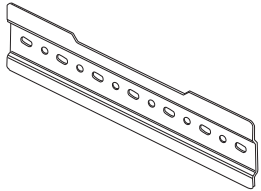
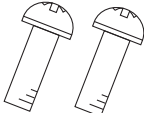
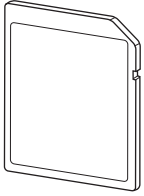
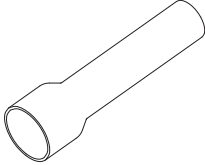


<http://www.mitsubishielectric.com/ldg/ibim/>

Als u meer informatie wilt die niet in deze handleiding staat, gaat u naar de bovenstaande website om handleidingen te downloaden. Selecteer de modelnaam en kies vervolgens de taal.

Inhoud van de websitehandleiding

- Energiemonitor
- Kamethermostaat
- Het systeem vullen
- Simpel systeem met 2 zones
- Onafhankelijke elektrische voeding
- Smart grid ready
- SWW-tank voor Hydrobox
- Opties voor afstandsbediening
- Servicemenu (speciale instelling)
- Aanvullende informatie

Accessoires (meegeleverd)			
Achterplaat	Schroef M5x8	SD-geheugenkaart	Gekoppelde leiding *
			
1	2	1	1

* Alleen E*SE-serie

Afkortingen en woordenlijst

Nr.	Afkortingen/Woord	Beschrijving
1	Stand compensatiegrafiek	Ruimteverwarming met compensatie van de buitentemperatuur
2	COP	Prestatiecoëfficiënt of warmtepompndement
3	Koelstand	Ruimtekoeling door middel van fancoils of vloerkoeling
4	SWW-modus	Stand sanitair warm water-verwarming voor douche, aanrecht, enz
5	Voorlooptemperatuur	Temperatuur van het water dat aan het primaire circuit wordt geleverd
6	Anti-vriesstand	Verwarmingsregelingsroutine ter voorkoming van bevriezing van de waterleidingen
7	FTC	Voorlooptemperatuur-controller, printplaat die het systeem regelt
8	Verwarmingsstand	Ruimteverwarming door middel van radiatoren of vloerverwarming
9	Hydrobox	Binnenunit met aansluitingen (GEEN SWW-tank)
10	Legionella	Bacterie die kan worden aangetroffen in leidingen, douches en watertanks en die de Legionairsziekte kan veroorzaken
11	Stand LP	Legionella-preventiestand – een functie op systemen met watertanks ter voorkoming van legionellabacteriegroei
12	Monobloc	Platenwarmtewisselaar (koelmiddel - water) in de buiten-warmtepompunit
13	PRV	Overdrukventiel
14	Retourtemperatuur	Temperatuur van het water dat uit het primaire circuit wordt afgeleverd
15	Split model	Platenwarmtewisselaar (koelmiddel - water) in de binnenunit
16	TRK	Thermostatische radiatorkraan – een kraan aan de ingang of uitgang van het radiatorpaneel voor het regelen van de verwarming

1 Veiligheidskennisgevingen

Lees de volgende veiligheidsmaatregelen aandachtig door.





⚠ WAARSCHUWING:
Maatregelen die in acht moeten worden genomen zodat letsel of ongelukken met dodelijke afloop worden voorkomen.

⚠ LET OP:
Maatregelen die in acht moeten worden genomen zodat beschadiging van de unit wordt voorkomen.

Deze installatiehandleiding moet na de installatie samen met de gebruikershandleiding bij het product worden gelaten, zodat de handleiding later ook kan worden geraadpleegd. Mitsubishi Electric is niet aansprakelijk voor storingen die optreden in lokaal geleverde en ter plaatse geleverde onderdelen.

- Het is belangrijk dat periodiek onderhoud wordt uitgevoerd.
- Het is belangrijk dat u de ter plaatse geldende voorschriften volgt.
- Het is belangrijk dat u de instructies die in deze handleiding worden verstrekt, volgt.

BETEKENISSEN VAN DE SYMBOLEN WEERGEGEVEN OP DE UNIT

	WAARSCHUWING (Brandgevaar)	Dit symbool geldt alleen voor het koelmiddel R32. Het type koelmiddel is te vinden op het typeplaatje van de buitenunit. Als het type koelmiddel R32 is, gebruikt dit apparaat een ontvlambaar koelmiddel. Als er koelmiddel lekt en dit in contact komt met vuur of een warmtebron, ontstaat er een schadelijk gas en bestaat er brandgevaar.
		Lees de BEDIENINGSHANDLEIDING zorgvuldig vóór ingebruikname.
		Onderhoudsmonteurs zijn verplicht om de BEDIENINGSHANDLEIDING en de INSTALLATIEHANDLEIDING zorgvuldig te lezen vóór ingebruikname.
		Verdere informatie staat in de BEDIENINGSHANDLEIDING, INSTALLATIEHANDLEIDING en overige vergelijkbare documenten.

⚠ ⚠ WAARSCHUWING

Mechanisch

- De hydrobox en de buitenunit mogen niet worden geïnstalleerd, gedemonteerd, opnieuw worden geplaatst, gewijzigd of gerepareerd door de gebruiker. Vraag een geautoriseerde installateur of monteur deze werkzaamheden voor u te verrichten. Als het toestel niet goed wordt geïnstalleerd of na de installatie wordt gewijzigd, kan waterlekage, een elektrische schok of brand het gevolg zijn.
- De buitenunit moet stevig worden vastgezet op een hard, gelijk oppervlak dat sterk genoeg is om het gewicht te dragen.
- Die hydrobox moet worden geplaatst op een hard, gelijk oppervlak dat sterk genoeg is om het gewicht inclusief vulling te dragen, zodat al te veel lawaai en trillingen worden voorkomen.
- Plaats geen meubelstukken of elektrische apparaten onder de buitenunit of de hydrobox.
- De uitlaatleidingen uit de noodapparaten van de hydrobox moeten worden geïnstalleerd in overeenstemming met de lokale wetgeving.
- Gebruik alleen accessoires en vervangende onderdelen die door Mitsubishi Electronic worden goedgekeurd en vraag een gekwalificeerd monteur de onderdelen te monteren.

Elektrisch

- Alle elektrische werkzaamheden moeten worden uitgevoerd door een gekwalificeerde monteur in overeenstemming met de lokale voorschriften en de instructies die in deze handleiding worden gegeven.
- De units moeten worden gevoed door middel van een eigen voeding en juiste spanning en circuitonderbrekers moeten worden gebruikt.
- Bedrading moet zijn aangelegd in overeenstemming met de nationale bedradingsvoorschriften. Aansluitingen moeten stevig worden vastgezet zonder spanning op de polen.
- Sluit de unit op juiste wijze aan op aarde.

Algemeen

- Houd kinderen en huisdieren uit de buurt van zowel de hydrobox als de buitenunit.
- Gebruikt geen heet water geproduceerd door de warmtepomp direct om te drinken of eten te bereiden. Hierdoor zou de gebruiker ziek kunnen worden.
- Ga niet op de units staan.
- Raak niet schakelaars aan met natte handen.
- Jaarlijkse onderhoudscontroles van zowel de hydrobox als de buitenunit moeten door een gekwalificeerde monteur worden uitgevoerd.
- Plaats geen containers met vloeistoffen boven op de hydrobox. Als deze lekken of als er water in de hydrobox wordt gemorst, kan beschadiging van de unit en/of brand ontstaan.
- Plaats geen zware voorwerpen boven op de hydrobox.
- Gebruik bij het installeren, verplaatsen of uitvoeren van onderhoudswerkzaamheden aan de hydrobox alleen het opgegeven koelmiddel van de warmtepomp voor het vullen van de koelmiddelleidingen. Meng het niet met een ander koelmiddel en zorg ervoor dat er geen lucht in de leidingen achterblijft. Als er lucht wordt vermengd met het koelmiddel, kan dat de oorzaak zijn van een abnormaal hoge druk in de koelmiddelleiding en kunnen een explosie en andere risico's het gevolg zijn. Het gebruik van een ander koelmiddel dan het voor het systeem opgegeven koelmiddel zal een mechanische storing tot gevolg hebben of zal ertoe leiden dat het systeem niet of niet goed werkt. In het ernstigste geval kan dit leiden tot een serieuze belemmering voor het garanderen van de productveiligheid.
- Zet, in de verwarmingsstand, ter voorkoming van beschadiging van de verwarmingstoestellen door al te heet water, de doelvoorlooptemperatuur op een minimumstand van 2 °C lager dan de maximaal toegestane temperatuur van alle verwarmingstoestellen. Zet voor Zone2, de doelvoorlooptemperatuur op een minimumstand van 5 °C lager dan de maximaal toegestane voorlooptemperatuur van alle verwarmingstoestellen in het Zone2-circuit.
- Installeer de unit niet op plaatsen waar mogelijk ontvlambaar gas lekt, wordt geproduceerd, stroomt of ophoopt. Indien ontvlambaar gas rond de unit ophoopt, kan dit brand of een ontploffing veroorzaken.
- Gebruik geen middelen om het ontdooiproces te versnellen of om schoon te maken, behalve de middelen die worden aanbevolen door de fabrikant.
- Het apparaat moet worden opgeslagen in een ruimte die geen continu werkende ontstekingsbronnen bevat (bijvoorbeeld open vuur, een werkend gastoestel of een werkende elektrische verwarming).
- Niet doorboren of verbranden.
- Houd er rekening mee dat koelmiddelen mogelijk geen geur bevatten.
- Pijpleidingen moeten worden beschermd tegen fysieke schade.
- Installeer zo min mogelijk pijpleidingen.
- Zorg dat de nationale gasvoorschriften worden nageleefd.
- Houd alle vereiste ventilatieopeningen vrij van obstructies.
- Gebruik geen soldeertin voor lage temperaturen wanneer u de koelmiddelleidingen soldeert.

1 Veiligheidskennisgevingen

⚠ LET OP

Gebruik in het primaire circuit schoon water dat voldoet aan de lokale kwaliteitsnormen.
De buitenunit moet worden geïnstalleerd op een plaats met voldoende luchtdoorstroming, volgens de schema's in de installatie handleiding van de buitenunit.
De hydrobox moet binnen worden geplaatst zodat warmteverlies tot een minimum wordt beperkt.
De lengte van de waterleidingen in het primaire circuit tussen de buiten- en binnenunit moet tot een minimum worden beperkt zodat warmteverlies beperkt blijft.
Zorg ervoor dat condens uit de buitenunit wordt weggeleid bij de grondplaat zodat zich geen plasjes water kunnen vormen.
Verwijder de lucht zo veel mogelijk uit het watercircuit.
Lekkage van koelmiddel kan verstikking veroorzaken. Zorg voor ventilatie in overeenstemming met EN378-1.
Het is belangrijk dat u de leidingen omwikkelt met isolatiemateriaal. Direct contact met de niet-afgeschermd leidingen kan leiden tot brandwonden of bevroeringsverschijnselen.
Stop nooit batterijen om welke reden dan ook in uw mond omdat u ze per ongeluk zou kunnen inslikken.
Het inslikken van batterijen zou kunnen leiden tot verstikking en/of vergiftiging.
Als de stroomvoorziening naar de hydrobox voor lange tijd moet worden uitgeschakeld (of het systeem moet worden uitgeschakeld), moet het water worden afgetapt.
Er moeten preventieve maatregelen worden genomen tegen waterslag, zoals het installeren van een Waterslagdemper op het primaire watercircuit, volgens de aanwijzingen van de fabrikant.
V voorkom condensatie op verwarmingstoestellen, pas de voorlooptemperatuur aan tot de juiste stand en stel ook de ondergrens van de voorlooptemperatuur op de locatie in.

Raadpleeg voor de omgang met het koelmiddel de installatiehandleiding van de buiten-unit.

2 Inleiding

Het doel van deze installatiehandleiding is bekwame personen instructies te geven voor het veilig en efficiënt installeren en inbedrijfstellen van het Hydroboxsysteem. De lezers voor wie deze handleiding is bedoeld, zijn bekwame

loodgieters en/of koeltechnici die de vereiste Mitsubishi Electric-producttraining met goed gevolg hebben gevolgd en de juiste kwalificaties hebben voor de installatie van een afvoerloze warmwaterhydrobox specifiek voor hun land.

Productspecificatie

Modelnaam	EHSD-MED	EHSD-VM2D	EHSD-VM6D	EHSD-YM9D	EHSD-YM9ED	EHSD-TM9D	ERSD-MED	ERSD-VM2D	ERSD-VM6D	ERSD-VM9D	ERSD-VM9ED	EHSC-MED	EHSC-VM6D	EHSC-VM9D	EHSC-YM9ED	EHSC-TM9D	ERSC-MED	ERSC-VM2D	ERSC-VM9ED	ERSC-YM9ED	ERSE-MED
Totale afmetingen unit (hoogte x breedte x diepte)																					
Gewicht (leeg)	36 kg	43 kg	44 kg	44 kg	40 kg	44 kg	38 kg	44 kg	40 kg	40 kg	44 kg	40 kg	48 kg	48 kg	43 kg	48 kg	41 kg	48 kg	43 kg	64 kg	62 kg
Gewicht (vol)	38 kg	48 kg	49 kg	49 kg	45 kg	49 kg	39 kg	50 kg	50 kg	42 kg	49 kg	42 kg	54 kg	54 kg	50 kg	54 kg	44 kg	54 kg	54 kg	74 kg	72 kg
Waterniveau van verwarmingscircuit in de unit *1	1,7 kg	5,2 kg	5,2 kg	5,2 kg	5,2 kg	5,2 kg	1,7 kg	5,2 kg	5,2 kg	2,6 kg	2,6 kg	2,6 kg	6,1 kg	6,1 kg	6,1 kg	6,1 kg	2,6 kg	6,1 kg	6,1 kg	10,0 kg	10,0 kg
Expansievat zonder afvoer (primaire verwarming)	—	—	10 L	10 L	—	10 L	—	10 L	—	—	—	—	10 L	10 L	—	10 L	—	10 L	—	—	—
Vuldruk	—	—	1 bar	1 bar	—	1 bar	—	1 bar	—	—	—	—	1 bar	1 bar	—	1 bar	—	1 bar	—	—	—
Regelthermistor																					
Watercircuit (Primair)																					
Overdrukventiel																					
Debitsensor																					
Manuele reset thermostaat																					
Thermische beveiliging (voor drooglooppreventie)																					
Water (primair circuit)																					
Koelmiddel (R32/R410A)																					
Gas																					
Verw.																					
Koelen																					
Verw.																					
Koelen																					
Omgeving *2																					
Verw.																					
Koelen																					
Voeding (fase, spanning, frequentie)																					
Onderbreker (* bij voeding uit een onafhankelijke bron)																					
Voeding (fase, spanning, frequentie)																					
Capaciteit																					
Stroom																					
Onderbreker																					
Geluidskrachtniveau																					
41 dB(A)																					
40 dB(A)																					
45 dB(A)																					

<Tabel 3.1>

*1 Leidingen naar expansievaten zijn niet inbegrepen in deze waarde.

*2 De omgeving moet vorstvrij zijn.

*3 Zie specificatietabel buitenunit.

De modus Koelen is niet beschikbaar bij een lage buitentemperatuur.

Als u ons systeem in de modus Koelen gebruikt bij een lage omgevingstemperatuur (10°C of lager), kan de platenwarmtewisselaar beschadigd raken door bevroren water.

Modelnaam	EHSE-YM9ED	EHSE-MED	EHPX-VM2D	EHPX-VM6D	EHPX-VM9D	EHPX-VM9ED
Totale afmetingen unit (hoogte x breedte x diepte)	950 x 600 x 360 mm					
Gewicht (leeg)	800 x 530 x 360 mm					
Gewicht (vol)	63 kg	61 kg	35 kg	37 kg	37 kg	32 kg
Watervolume van verwarmingscircuit in de unit *1	73 kg	71 kg	40 kg	41 kg	41 kg	37 kg
Expansievat zonder arvoer (primaire verwarming)	10,0 kg	10,0 kg	4,5 kg	4,5 kg	4,5 kg	4,5 kg
Nominaal volume	10 L					
Vuldruk	1 bar					
Regelthermostor	1 - 80°C					
Overdrukventiel	0,3 MPa (3bar)					
Debietsensor	Min. debiet 5,0 L/min (Zie tabel 4.3.1 over waterdebietsbereik)					
Manuele reset thermostaat	90°C	—	—	—	90°C	—
Thermische beveiliging (voor drooglooppreventie)	121°C	—	—	—	121°C	—
Water (primaire circuit)	G1-1/2-B					
Koelmiddel (R32/ R410A)	9,52 mm					
Gas	25,4 mm (solderen)					
Verw.	20 - 60°C					
Debiet-temperatuur	—					
Koelen	—					
Kamer-temperatuur	10 - 30°C					
Koelen	—					
Omgeving *2	0 - 35°C (≤ 80 %RV)					
Buiten-temperatuur	Zie specificatietabel buitenunit					
Koelen	—					
Voeding (fase, spanning, frequentie)	~N, 230 V, 50 Hz					
Controlepaneel (Inclusief 4 pompen)	10A					
Onderbreker (*bij voeding uit een onafhankelijke bron)	—					
Voeding (fase, spanning, frequentie)	3~ 400 V, 50 Hz	—	—	~N, 230 V, 50 Hz	3~ 400 V, 50 Hz	3~ 400 V, 50 Hz
Capaciteit	3kW +6kW	—	—	2kW +4kW	3kW +6kW	3kW +6kW
Stroom	13 A	—	—	9 A	26 A	13 A
Onderbreker	16 A	—	—	16 A	32 A	16 A
Geluidskrachtniveau	45 dB(A)					

< Tabel 3.2 >

*1 Leidingen naar expansievaten zijn niet inbegrepen in deze waarde.

*2 De omgeving moet vorstvrij zijn.

*3 Zie specificatietabel buitenunit. (min. 10°C)

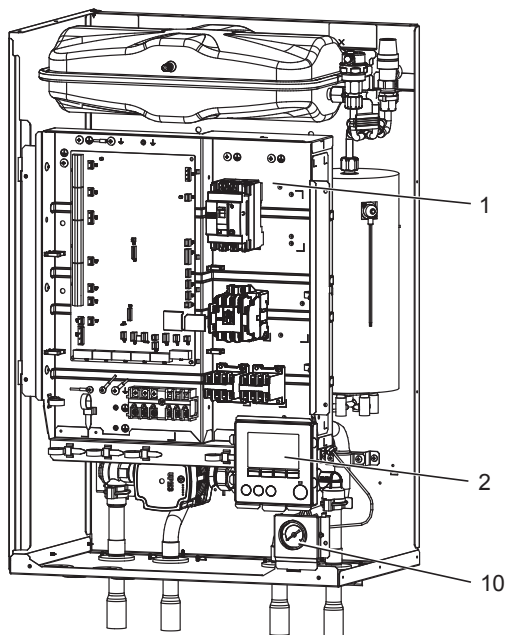
De modus Koelen is niet beschikbaar bij een lage buiten temperatuur.

Als u ons systeem in de modus Koelen gebruikt bij een lage omgevingstemperatuur (10°C of lager), kan de platenwarmtewisselaar beschadigd raken door bevroren water.

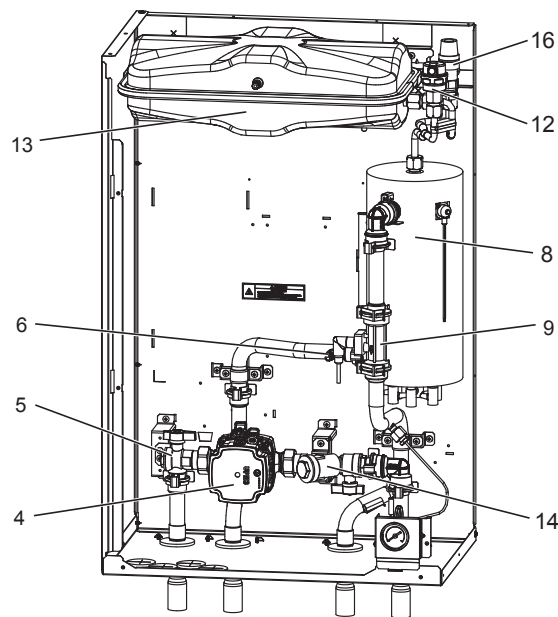
3 Technische informatie

■ Componenten

<EHPX-*M*D> (Monobloc-system)

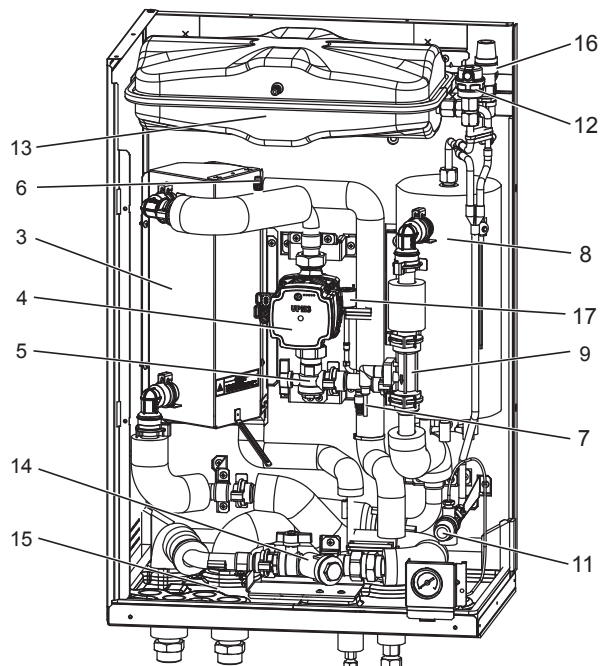


<Afbeelding 3.1>



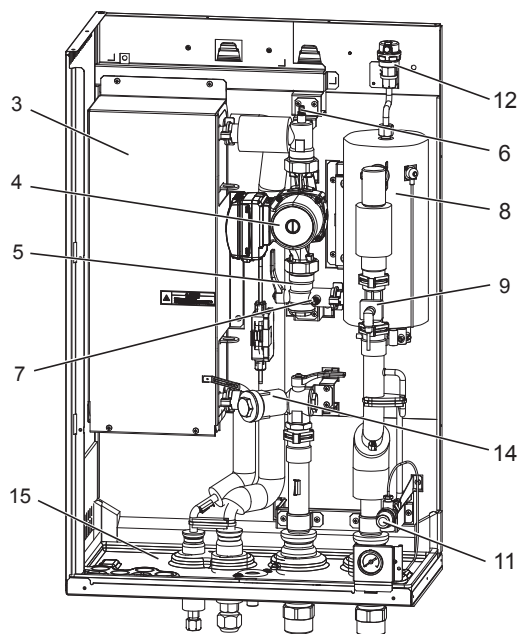
<Afbeelding 3.2>

<E*S*-*M**D> (Split model-system)



<Afbeelding 3.3>

<E*SE-*M*ED>



<Afbeelding 3.4>

Nr.	Component	EHPX-*M*(E)D	EHS*-MED	EHS*-*M*D	EHS*-YM9ED	ERS*-*M*(E)D	ERS*-MED
1	Stuur- en schakelkast	✓	✓	✓	✓	✓	✓
2	Hoofdbediening	✓	✓	✓	✓	✓	✓
3	Platenwarmtewisselaar (koelmiddel - water)	-	✓	✓	✓	✓	✓
4	Watercirculatiepomp 1	✓	✓	✓	✓	✓	✓
5	Pompklep	✓	✓	✓	✓	✓	✓
6	Ontluchter (Handmatig)	-	✓	✓	✓	✓	✓
7	Aftapkraan (primair circuit)	✓	✓	✓	✓	✓	✓
8	Boosterverwarming 1,2	✓	-	✓	✓	✓	-
9	Debietsensor	✓	✓	✓	✓	✓	✓
10	Manometer	✓	✓	✓	✓	✓	✓
11	Overdrukventiel (3 bar)	-	✓	✓	✓	✓	✓
12	Automatische ontluchter	✓	✓	✓	✓	✓	✓
13	Expansievat	✓*1	-	✓	-	✓*2	-
14	Filterklep	-	✓	✓	✓	✓	✓
15	Aftapschaal	-	-	-	-	✓	✓
16	Overdrukventiel (5 bar)	✓*1	-	✓	-	✓*2	-
17	Druksensor	-	✓*3	✓*3	✓*3	✓*3	✓*3

<Tabel 3.3>

Opmerking:

Voor de installatie van alle modellen E***-*M*ED zorgt u dat u een geschikt expansievat aan de primaire zijde en een aanvullend ODV installeert, zodat het expansievat niet barst tijdens gebruik. (Zie afbeelding 3.5 ~ 3.6 en 4.3.10 voor verdere begeleiding)

*1 Behalve EHPX-YM9ED en EHPX-MED.

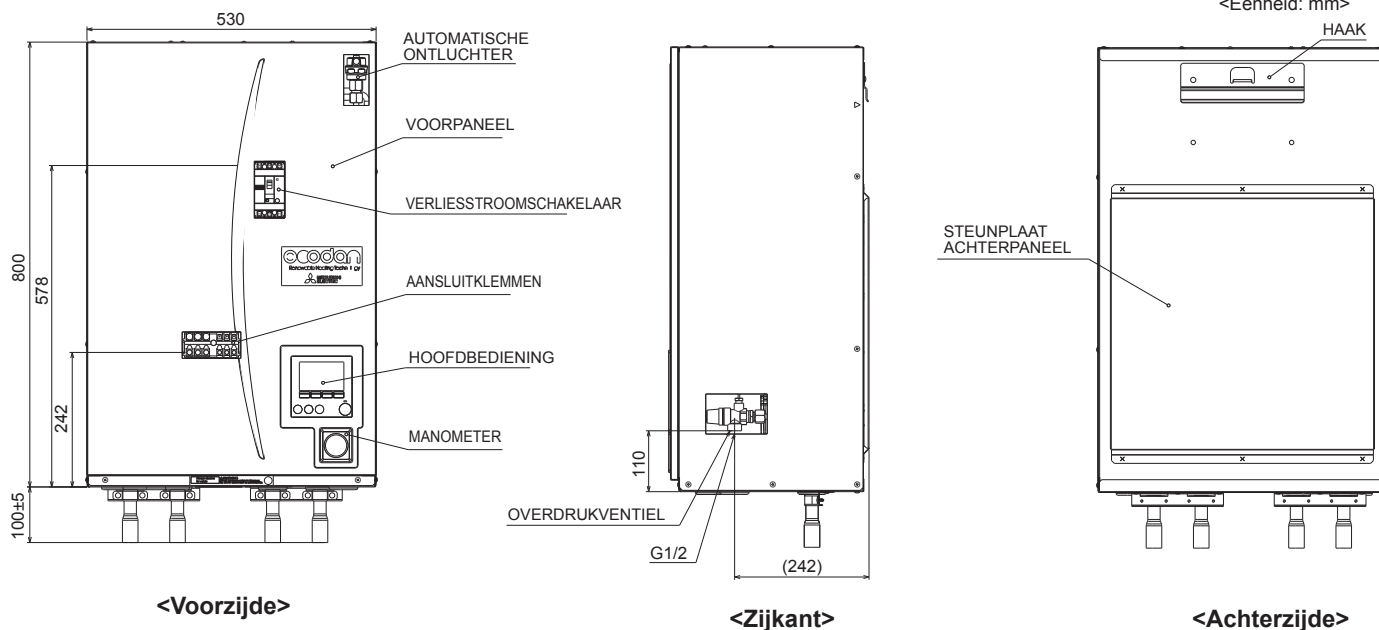
*2 Behalve ERSE-YM9ED.

*3 Alleen model 2HP (E*SD).

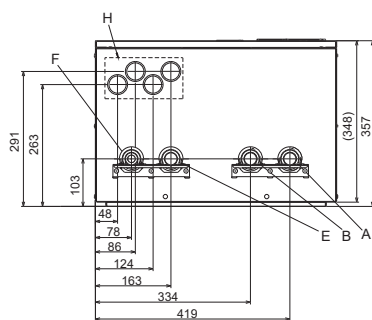
nl

3 Technische informatie

■ Technische tekeningen



<EHPX> (Monobloc-systeem)



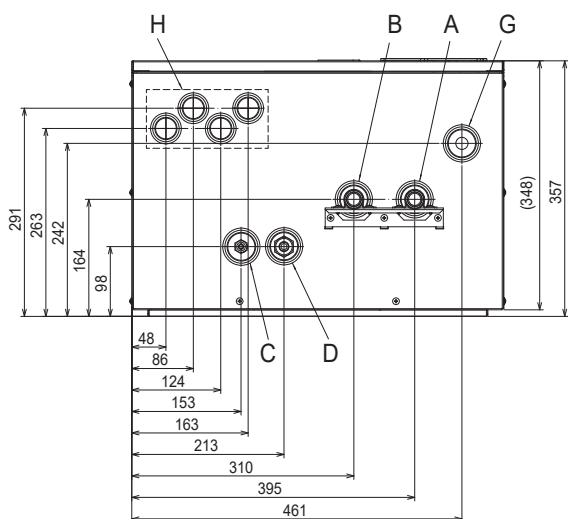
<Onderaanzicht>

Letter	Beschrijving van leiding	Formaat/type aansluiting
A	Ruimteverwarming/Indirecte SWW-tank (primair) retouraansluiting	28 mm/knel (EH**.*) G1-moer (ERS**.*)
B	Ruimteverwarming/Indirecte SWW-tank (primair) debietaansluiting	28 mm/knel (EH**.*) G1-moer (ERS**.*)
C	Koelmiddel (vloeibaar)	6,35 mm/Flare (E*SD-*) 9,52 mm/Flare (E*SC-*)
D	Koelmiddel (gas)	12,7 mm/Flare (E*SD-*) 15,88 mm/Flare (E*SC-*)
E	Debietaansluiting van warmtepomp	28 mm/knel (EHPX-*)
F	Retouraansluiting naar warmtepomp	28 mm/knel (EHPX-*)
G	Afvoerleiding (door installateur) van overdrukventiel	G1/2" vrouwelijk (ventiepoort binnen in hydroboxbehuizing)
H	Openingen elektrische kabels	Trek voor de inlaten ① en ② hoogspanningsdraden inclusief voedingskabel, binnen-buitenkabel en externe uitgaande draden. Trek voor de inlaten ③ en ④ laagspanningsdraden inclusief draden voor externe ingang en thermistordraden. Gebruik voor een draadloze ontvanger (optie) inlaat ④.
I	Afvoeraansluiting	U.D. ø20

<Tabel 3.4>

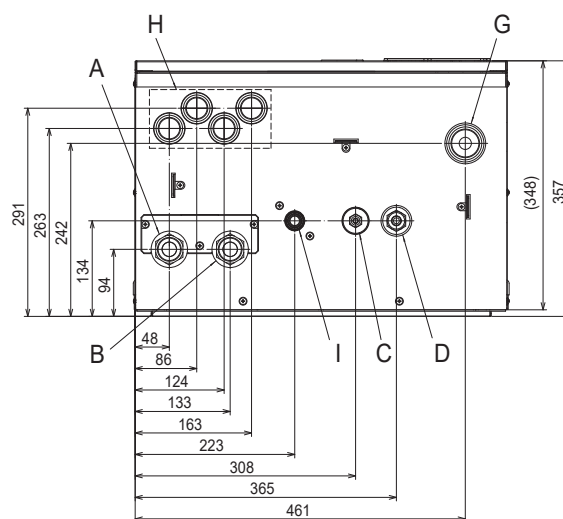
3 Technische informatie

<EHS*> (Split model-systeem)



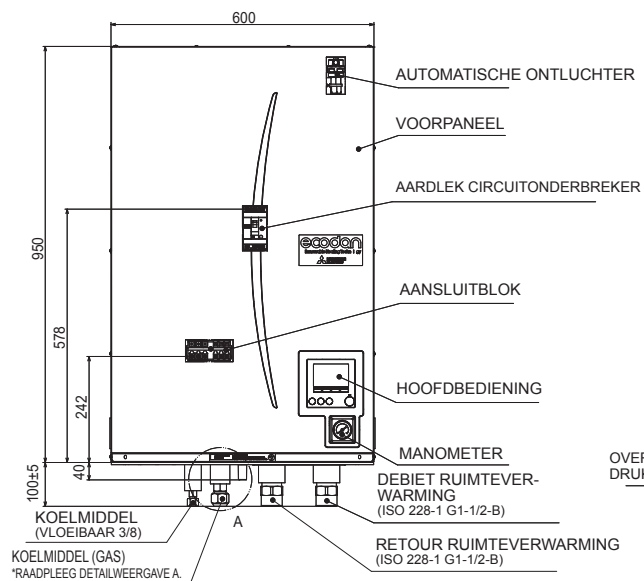
<Onderaanzicht>

<ERS*> (Split model-systeem voor verwarming en koeling)

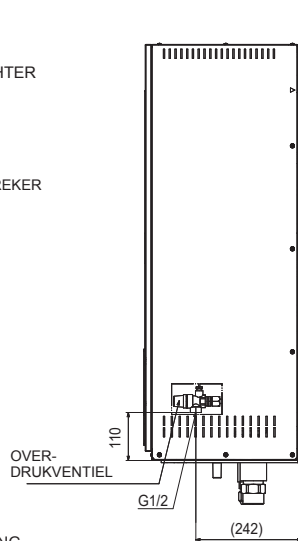


<Onderaanzicht>

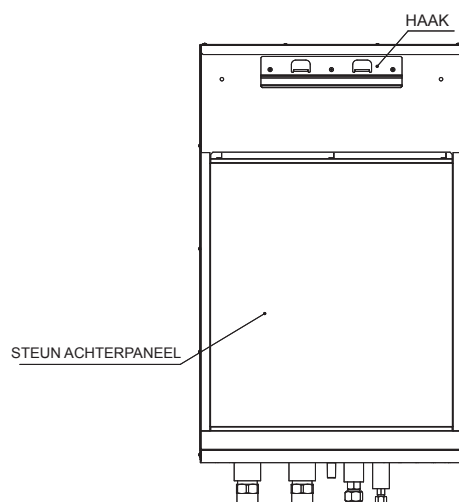
<E*SE> (Verwarming-/Verwarming- en koelsysteem)



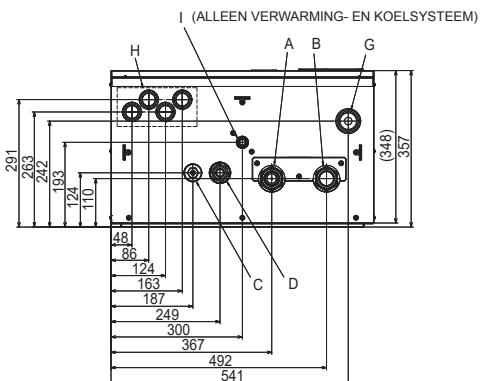
<Voorkant>



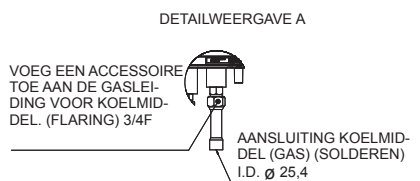
<Zijkant>



<Achterkant>

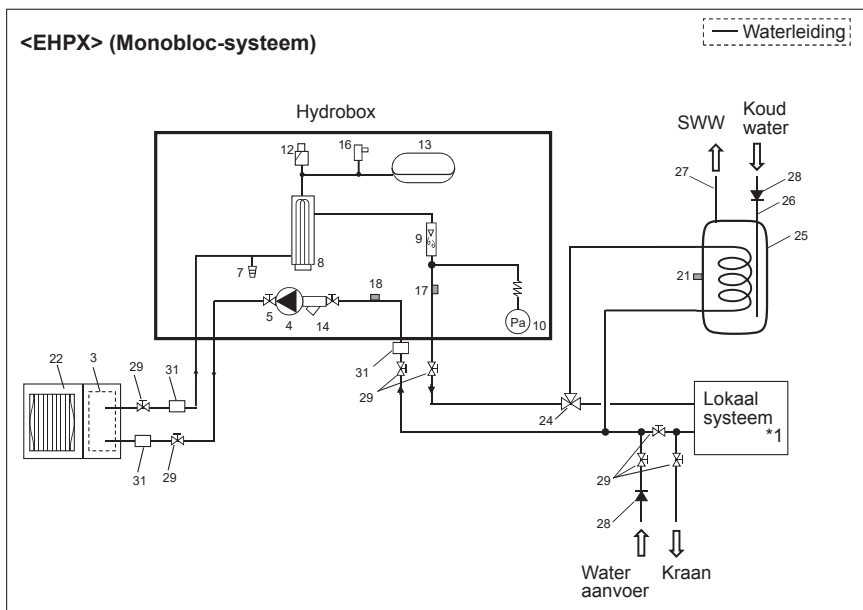


<Onderaanzicht>



3 Technische informatie

■ Schematische voorstelling van het watercircuit



<Afbeelding 3.5>

Nr.	Component	EHPX- *M*(ED)	EHS- MED	EHS- *M*D	EHS- YM 9ED	ERS- *M*(E)D	ERS- MED
1	Stuur- en schakelkast	✓	✓	✓	✓	✓	✓
2	Hoofdbediening	✓	✓	✓	✓	✓	✓
3	Platenwarmtewisselaar (koelmiddel - water)	-	✓	✓	✓	✓	✓
4	Watercirculatiepomp 1	✓	✓	✓	✓	✓	✓
5	Pompklep	✓	✓	✓	✓	✓	✓
6	Ontluchter (Handmatig)	-	✓	✓	✓	✓	✓
7	Aftapkraan (primair circuit)	✓	✓	✓	✓	✓	✓
8	Boosterverwarming 1, 2	✓	-	✓	✓	✓	-
9	Debietsensor	✓	✓	✓	✓	✓	✓
10	Manometer	✓	✓	✓	✓	✓	✓
11	Overdrukventiel (3 bar)	-	✓	✓	✓	✓	✓
12	Automatische ontluchter	✓	✓	✓	✓	✓	✓
13	Expansievat	✓*2	-	✓	-	✓*3	-
14	Filterklep	✓	✓	✓	✓	✓	✓
15	Aftapschaal	-	-	-	-	-	-
16	Overdrukventiel (5 bar)	✓*2	-	✓	-	✓*3	-
17	THW1	✓	✓	✓	✓	✓	✓
18	THW2	✓	✓	✓	✓	✓	✓
19	TH2	-	✓	✓	✓	✓	✓
20	Druksensor	-	✓*4	✓*4	✓*4	✓*4	✓*4
21	THW5B (Optioneel onderdeel PAC-TH011TK2-E of PAC-TH011T-KL2-E)	-	-	-	-	-	-
22	Buitenunit	-	-	-	-	-	-
23	Aftapleiding (ter plaatse aan te schaffen)	-	-	-	-	-	-
24	3-wegventiel (ter plaatse aan te schaffen)	-	-	-	-	-	-
25	Indirecte SWW-tank zonder afvoer (ter plaatse aan te schaffen)	-	-	-	-	-	-
26	koudwaterinlaatleiding (ter plaatse aan te schaffen)	-	-	-	-	-	-
27	SWW-uitlaatleiding (ter plaatse aan te schaffen)	-	-	-	-	-	-
28	Terugslagklep (ter plaatse aan te schaffen)	-	-	-	-	-	-
29	Afsluiter (ter plaatse aan te schaffen)	-	-	-	-	-	-
30	Magnetisch filter (ter plaatse aan te schaffen) (aanbevolen)	-	-	-	-	-	-
31	Filter (ter plaatse aan te schaffen)	-	-	-	-	-	-

<Tabel 3.5>

*1 Zie de volgende paragraaf [Lokaal systeem].

*2 Behalve EHPX-YM9ED en EHPX-MED.

*3 Behalve ERSE-YM9ED.

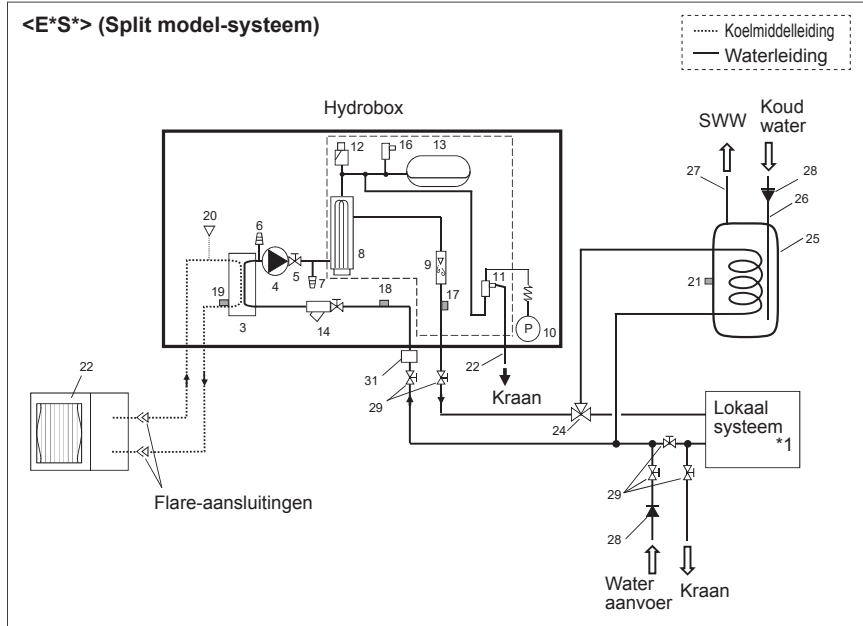
*4 Alleen model 2HP(E*SD).

nl

Opmerkingen

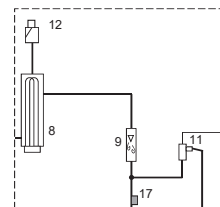
- Volg vooral de lokaal geldende voorschriften bij het uitvoeren van de systeemconfiguratie van de SWW-aansluitingen.
- SWW-aansluitingen maken geen onderdeel uit van het hydroboxpakket. Alle benodigde onderdelen moeten ter plaatse worden aangeschaft.
- Voor het aftappen van de hydrobox moet er een afsluiter worden geplaatst op zowel het inkomende als het uitgaande leidingwerk.
- Het is belangrijk dat er een filter wordt geplaatst op het inkomende leidingwerk naar de hydrobox.
- Er moeten in overeenstemming met de voorschriften in uw land geschikte aftapleidingen worden bevestigd aan alle overdrukventielen.
- Er moet een terugslagklep worden gemonteerd op het leidingwerk voor de wateraanvoer (IEC 61770).
- Wanneer u componenten die zijn gemaakt van verschillende metalen of aansluitingen die zijn gemaakt van verschillende metalen, gebruikt, isoleer dan de koppelingen zodat alle corrosie-reactie wordt voorkomen, die het leidingwerk zal beschadigen.

<E*S*> (Split model-systeem)



<Afbeelding 3.6>

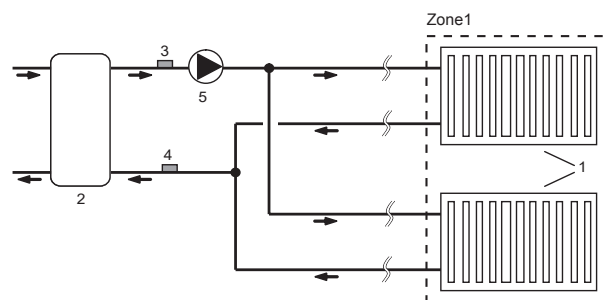
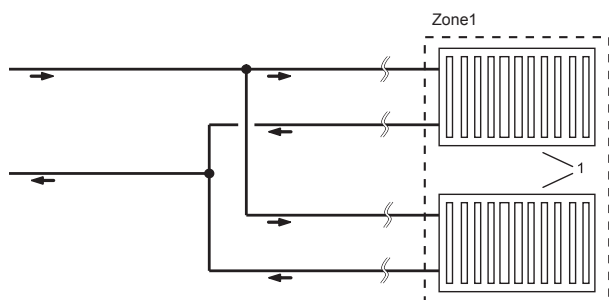
<Alleen E*SE>



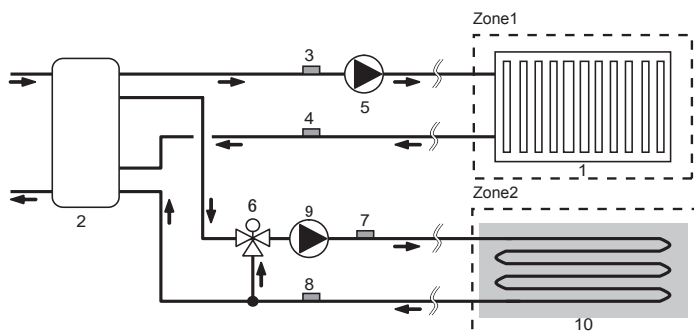
3 Technische informatie

■ Lokaal systeem

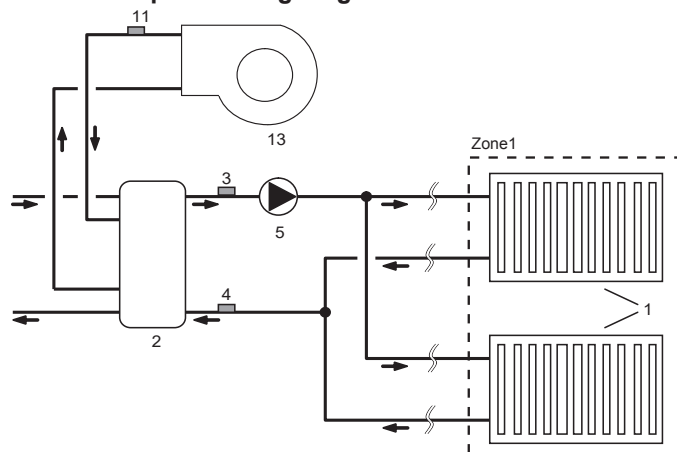
1-zone-temperatuurregeling



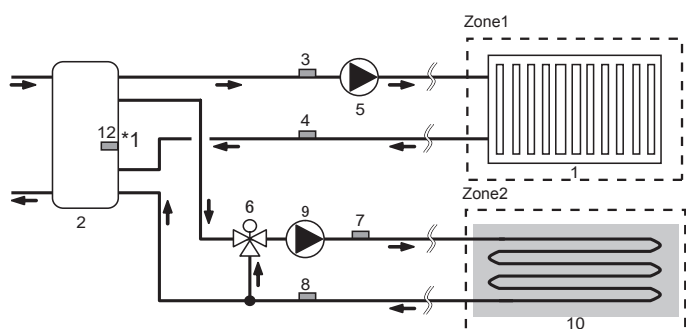
2-zone-temperatuurregeling



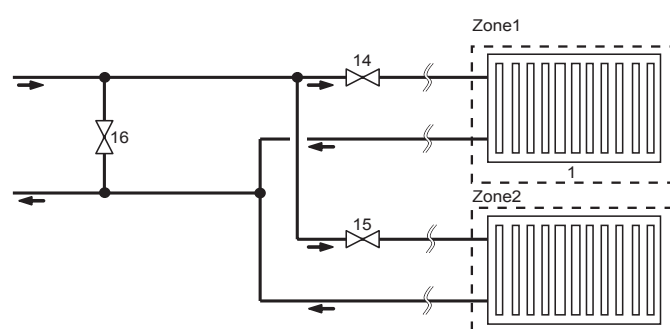
1-zone-temperatuurregeling met boiler



2-zone-temperatuurregeling en buffertankregeling



1-zone-temperatuurregeling (2-zone-kraan AAN/UIT-regeling)



1. Zone1 verwarmingsstoestellen (bijv. radiator, ventilatorspoelunit) (ter plaatse aan te schaffen)
2. Mengtank (ter plaatse aan te schaffen)
3. Zone1 debiettemp. thermistor (THW6)
4. Zone1 retourwatertemp. thermistor (THW7) } Optioneel onderdeel: PAC-TH011-E
5. Zone1 watercirculatiepomp (ter plaatse aan te schaffen)
6. Gemotoriseerde mengklep (ter plaatse aan te schaffen)
7. Zone2 debiettemp. thermistor (THW8)
8. Zone2 retourwatertemp. thermistor (THW9) } Optioneel onderdeel: PAC-TH011-E
9. Zone2 watercirculatiepomp (ter plaatse aan te schaffen)

10. Zone2 verwarmingsstoestellen (bijv. vloerverwarming) (ter plaatse aan te schaffen)
11. Boiler debiettemp. thermistor (THWB1) } Optioneel onderdeel: PAC-TH012HT(L)-E
12. Thermistor mengtank (THW10) *1
13. Boiler (ter plaatse aan te schaffen)
14. Zone1 2-wegventiel (ter plaatse aan te schaffen)
15. Zone2 2-wegventiel (ter plaatse aan te schaffen)
16. Omleidingsklep (ter plaatse aan te schaffen)

nl

<Voorbereiding voor de installatie en service>

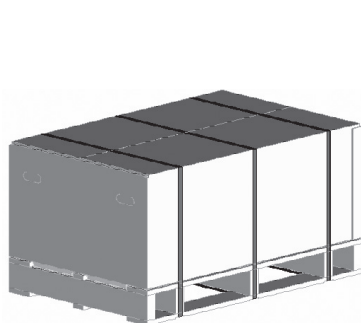
- Breng het juiste gereedschap in gereedheid.
- Breng de juiste bescherming in gereedheid.
- Laat onderdelen afkoelen voordat u begint met onderhoudswerkzaamheden.
- Zorg voor voldoende ventilatie.
- Schakel, wanneer u het systeem buiten werking hebt gesteld, de unit uit en trek de stekker los.
- Ontlaad de condensator voordat u werkzaamheden begint aan de elektrische onderdelen.

<Veiligheidsmaatregelen tijdens service>

- Voer geen werkzaamheden uit aan elektrische onderdelen met natte handen.
- Giet geen water of een vloeistof in de elektrische onderdelen.
- Raak het koelmiddel niet aan.
- Raak niet de hete of koude-oppervlakken van de koelmiddelcyclus aan.
- Wanneer de reparatie of de inspectie van het circuit moet worden uitgevoerd zonder dat het systeem wordt uitgeschakeld, ga dan heel voorzichtig te werk en raak geen onderdelen aan waar stroom op staat.

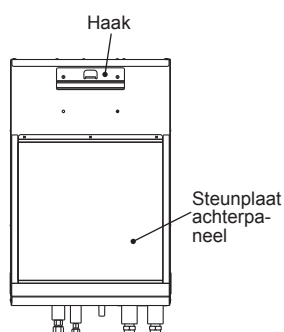
4.1 Locatie

■ Transport en Verwerking



<Afbeelding 4.1.1>

Hydrobox wordt geleverd op een houten pallet met beschermende verpakking van karton.



<Afbeelding 4.1.2>

De hydrobox moet voorzichtig worden getransporteerd zodat de kast niet kan worden gestoten en worden beschadigd. Verwijder de beschermende verpakking pas als de hydrobox op de uiteindelijke locatie is aangekomen. Zo kan de constructie en het regelpaneel worden beschermd.

Opmerkingen:

- De hydrobox moet **ALTIJD** door minimaal 2 mensen worden verplaatst.
- Houd de leidingen **NIET** vast wanneer u de hydrobox verplaatst of optilt.

■ Geschikte locatie

Voor de installatie moet de hydrobox worden opgeslagen in een vorstvrije weerbestendige plaats. De units mogen **NIET** worden gestapeld.

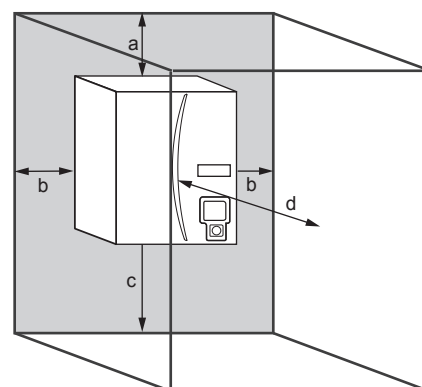
- De hydrobox moet binnenshuis worden geïnstalleerd op een vorstvrije, weerbestendige locatie.
- Installeer de hydrobox op een plaats waar deze niet blootstaat aan water/ uitzonderlijk hoge luchtvochtigheid.
- De hydrobox moet worden geplaatst op een vlakke wand die sterk genoeg is om het gewicht met de vulling te dragen.
- Raadpleeg "3. Technische informatie" als u het gewicht wilt weten.
- Let er vooral op dat voor servicetoegangspunten de minimumafstanden rond en voor de unit in acht worden genomen <Afbeelding 4.1.3>.
- Zet de hydrobox stevig vast zodat deze niet kan worden omgestoten en niet kan omvallen bij aardbevingen.
- De hydrobox moet aan de wand worden bevestigd met de steunen met bevestigingsshaken. <Afb. 4.1.2>

■ Schematische voorstellingen servicetoegangspunten

Servicetoegang	
Parameter	Afmeting (mm)
a	200
b	150
c	500
d	500

<Tabel 4.1.1>

Er **MOET** voldoende ruimte worden gelaten voor het aanbrengen van uitstootleidingen, zoals wordt uiteengezet in de nationale en lokale bouwverordeningen.



<Afbeelding 4.1.3>
Servicetoegang

De hydrobox moet binnenshuis worden geplaatst in een vorstvrije omgeving, bijvoorbeeld in een bijkeuken.

■ De hydrobox opnieuw plaatsen

Laat, als u de hydrobox moet verplaatsen, het toestel **GEHEEL LEEGLOPEN** voordat u het verplaatst, zodat beschadiging wordt voorkomen.

Opmerking:

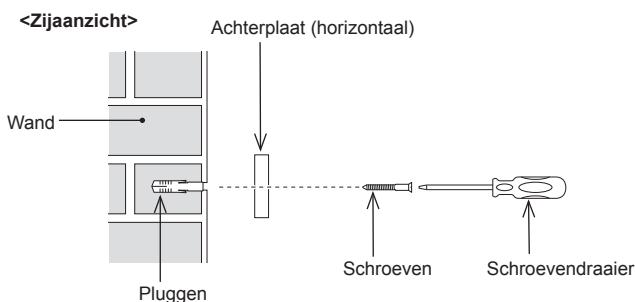
Houd de leidingen NIET vast wanneer u de hydrobox verplaatst of optilt.

4 Installatie

Montageprocedure

1. Installeer het bijgeleverde accessoire voor de achterplaat.

* Gebruik bij het installeren van de achterplaat ter plaatse aangeschafte schroeven en geschikte bevestigingspluggen.



<Afbeelding 4.1.4>

- Monteer de achterplaat op de juiste manier met het horizontale inkepingenprofiel BOVENAAN.

De achterplaat is voorzien van ronde en ovale montagegaten voor schroeven. Voorkom dat het toestel van de wand valt, kies het juiste aantal gaten of posities van gaten en zet de achterplaat horizontaal vast op de juiste plaats op de wand.

2. Steek de haak aan de achterzijde van de hydrobox achter de uitsparing in de achterplaat.

*U kunt de hydrobox gemakkelijker optillen als u het toestel eerst naar voren kantelt met behulp van de bijgeleverde opvulling van de verpakking.

i) Op zowel het rechter- als het linkerzijpaneel staat een aanduiding van het ▷-merkteken.

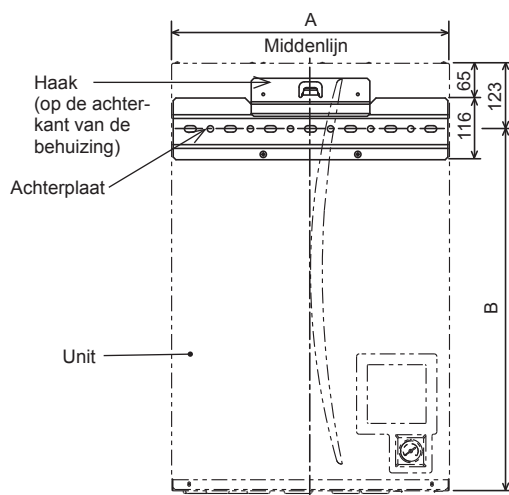
Til het toestel op zodat de ▷-merktekens boven de bovenste rand van de achterplaat uitkomen, zoals hieronder wordt getoond.

<Zijaanzicht van het toestel>



<Afbeelding 4.1.5>

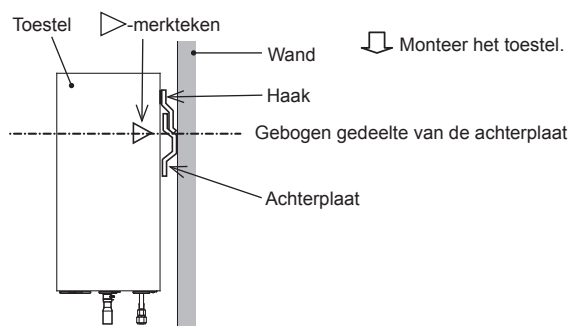
<Vooraanzicht van unit>



<Afbeelding 4.1.7>

ii) Zorg ervoor dat de ▷-symbolen goed worden geplaatst en ordentelijk worden vastgemaakt aan het gebogen deel van de achterplaat zoals hieronder weergegeven.

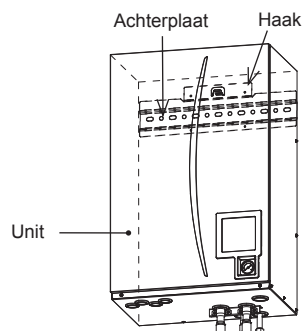
<Zijaanzicht van het toestel>



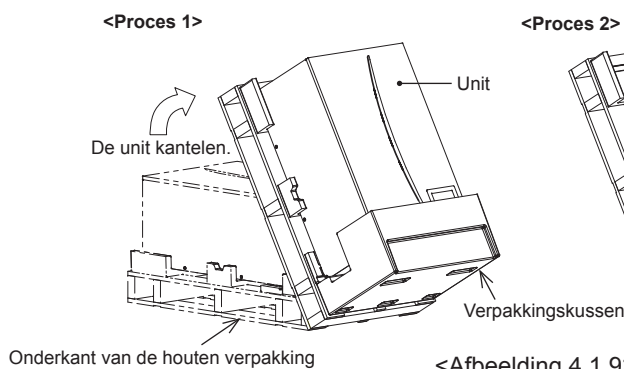
<Afbeelding 4.1.6>

- In Afbeelding 4.1.7 worden de relatieve posities weergegeven tussen de unit en de achterplaat die op de muur is gemonteerd. Raadpleeg <Afbeelding 4.1.3> Servicetoegang en monteer de achterplaat.

Afmetingen (mm)	A	B
Hydrobox		
E*SC	530	677
E*SD		
EHPX		
E*SE	600	827

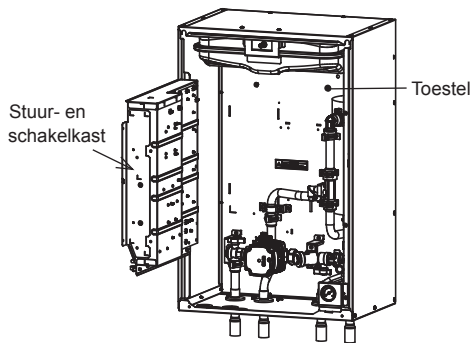


<Afbeelding 4.1.8>

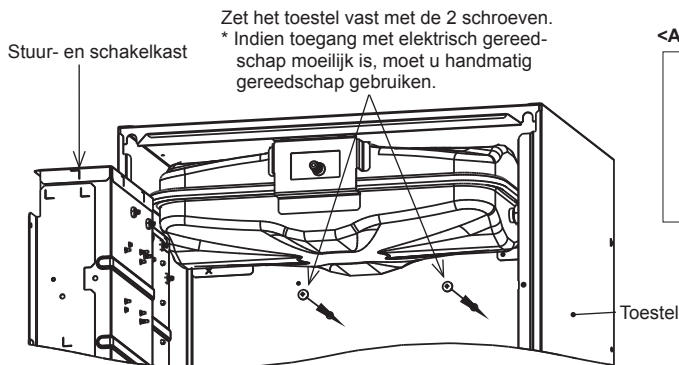


4 Installatie

3. Raadpleeg 'Zo krijgt u toegang tot de Interne Componenten en de Stuur- en schakelkast' en bevestig de unit op de achterplaat met behulp van de 2 meegeleverde schroeven (accessoires).

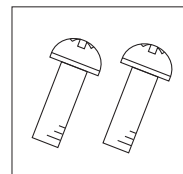


<Afbeelding 4.1.10>



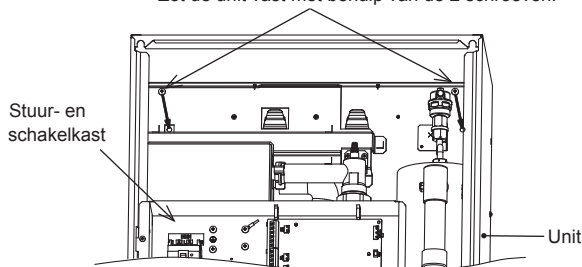
<Afbeelding 4.1.11>

<Accessoire>



Schroef M5x8

Zet de unit vast met behulp van de 2 schroeven.



<Afbeelding 4.1.12>

Let op: VOORDAT u het leidingwerk uitvoert, is het belangrijk dat u deze twee schroeven inzet en aandraait. Anders kan de haak loskomen en kan het toestel vallen.

4.2 Waterkwaliteit en voorbereiding van het systeem

Algemeen

- Het water in het primaire circuit en het sanitair circuit dient schoon te zijn een pH-waarde te hebben van 6,5 - 8,0
- Onderstaande waarden zijn maximumwaarden;
 - Calcium: 100 mg/L, Ca hardheid: 250 mg/L
 - Chloor: 100 mg/L, Koper: 0,3 mg/L
- Andere bestanddelen moeten voldoen aan de normen van de Europese richtlijn 98/83 EG.
- In bekende hardwatergebieden kunt u om kalkafzetting te voorkomen/tot een minimum te beperken het beste de gebruikelijke temperatuur van het opgeslagen water (max. temp. SWW) beperken tot 55°C.

Antivries

Antivriesoplossingen dienen propyleen-glycol te gebruiken met een giftigheidsclassificatie van Klasse 1, zoals vermeld in Klinische Toxicologie van Commerciële producten, 5e editie.

Opmerkingen:

- Ethyleen-glycol is giftig en dient NIET te worden gebruikt in het primaire watercircuit omdat het risico van verontreiniging van het drinkwatercircuit moet worden vermeden.
- Voor 2-zone-kraan AAN/UIT-regeling dient propyleen-glycol te worden gebruikt.

Nieuwe installatie (primair watercircuit)

- Reinig, voordat u een buitenunit aansluit, het leidingwerk grondig van bouwafval, soldeer, enz. en gebruik daarvoor een geschikt chemisch reinigingsmiddel.
- Verwijder het chemische reinigingsmiddel door het systeem door te spoelen.
- Voeg voor alle Monobloc-systemen Inhibitor en antivriesoplossing gecombineerd toe zodat beschadiging van het leidingwerk en de systeemcomponenten wordt voorkomen.
- Voor split model-systemen moet de installateur beslissen of voor de locatie een antivriesoplossing noodzakelijk is. Corrosie-inhibitor moet echter altijd worden gebruikt.

Bestaande installatie (primair watercircuit)

- Voordat de buitenunit wordt aangesloten MOET het bestaande verwarmingcircuit chemisch worden gereinigd zodat afval dat in het verwarmingcircuit voorkomt, wordt verwijderd.
- Verwijder het chemische reinigingsmiddel door het systeem door te spoelen.
- Voeg voor alle Monobloc-systemen Inhibitor en antivriesoplossing gecombineerd toe zodat beschadiging van het leidingwerk en de systeemcomponenten wordt voorkomen.
- Voor split model-systemen moet de installateur beslissen of voor de locatie een antivriesoplossing noodzakelijk is. Corrosie-inhibitor moet echter altijd worden gebruikt.

Volg, wanneer u chemische reinigingsmiddelen en inhibitors gebruikt, altijd de instructies van de fabrikant en controleer dat het product geschikt is voor de materialen die in het watercircuit worden gebruikt.

Minimumhoeveelheid water die nodig is in het circuit voor ruimteverwarming/-koelen

Buiten-warmtepompunit		Gemiddeld/ warmer klimaat**		Kouder klimaat**	
		Binnentoestel dat hoeveel- heid water bevat [L]	* Extra benodigde hoeveelheid water [L]	Binnentoestel dat hoeveel- heid water bevat [L]	* Extra benodigde hoeveelheid water [L]
Monobloc	PUZ-WM50	5	2	5	24
	PUZ-WM60		4		29
	PUZ-WM85		7		32
	PUZ-WM112		11		43
	PUZ-HWM140		15		55
Split model	SUZ-SWM40	5	1	5	12
	SUZ-SWM60		2		21
	SUZ-SWM80		4		29
	PUHZ-FRP71		6		27
	PUHZ-SW75		6		27
	PUHZ-SW100		9		38
	PUHZ-SW120		12		47
	PUHZ-SW160		18		64
	PUHZ-SW200		24		81
	PUHZ-SHW80		6		29
	PUHZ-SHW112		11		43
	PUHZ-SHW140		15		55
	PUHZ-SHW230		28		94
PUMY-P112	22	75			
PUMY-P125	22	75			
PUMY-P140	22	75			

<Tabel 4.2.1>

* Als er een omleidingscircuit is, zijn de hoeveelheden in de bovenstaande tabel de minimale waterhoeveelheden wanneer het water wordt omgeleid.

** Raadpleeg 2009/125/EG: Energiegerelateerde producten en Verordening (EU) nr. 813/2013 om uw klimaatzone te bevestigen.

Geval 1. Geen scheiding tussen primair en secundair circuit

- Controleer de vereiste hoeveelheid water volgens tabel 4.2.1 in de waterleiding en radiator of vloerverwarming.

Geval 2. Gescheiden primair en secundair circuit

- Als de vergrendelingsfunctie van de primaire en secundaire pomp niet beschikbaar is, controleer dan of het vereiste extra water volgens tabel 4.2.1 alleen in het primaire circuit aanwezig is.
 - Als de vergrendelingsfunctie van de primaire en secundaire pomp wel beschikbaar is, controleer dan of de totale vereiste hoeveelheid water volgens tabel 4.2.1 in het primaire en secundaire circuit aanwezig is.
- Als er een tekort aan water is, installeert u de buffertank.

4 Installatie

4.3 Waterleidingwerk

Opmerking: Voorkom dat er via het ter plaatse aan te leggen leidingwerk spanning komt te staan op de hydrobox, zet dit leidingwerk vast op de wand of pas andere methoden toe.

■ Werkzaamheden aan de Warmwaterleidingen

De functie van de volgende veiligheidscomponenten van de hydrobox moet bij de installatie op afwijkingen worden gecontroleerd.

- Overdrukventiel
- Voorvulling Expansievat (druk gasvulling)

De instructie op de volgende pagina's over een veilige lozing van heet water uit veiligheidsvoorzieningen moet nauwgezet worden opgevolgd.

- Het leidingwerk wordt zeer heet, en moet dus worden geïsoleerd zodat brandwonden worden voorkomen.
- Wanneer u het leidingwerk aansluit is het belangrijk dat er geen vreemde voorwerpen, zoals afval of iets dergelijks, in de leiding komen.

■ Aansluitingen veiligheidsvoorziening

De hydrobox bevat een overdrukventiel. (zie <Afbeelding 4.3.1>) Het aansluitformaat is G1/2" vrouwelijk. De installateur MOET passende afvoerleidingen op verantwoorde wijze aansluiten op dit ventiel, volgens lokale en nationale voorschriften.

Als dat wordt nagelaten, zal dat leiden tot uitstoot uit het overdrukventiel direct in de hydrobox en dat zal het product ernstig beschadigen.

Alle leidingen moeten bestand zijn tegen de afvoer van heet water.

Overdrukventielen mogen NIET worden gebruikt voor een ander doel en de uitstoot moet op een veilige en geschikte wijze worden afgevoerd in overeenstemming met ter plaatse gestelde eisen.

Opmerking: Bedenk dat de manometer en het overdrukventiel NIET worden gefilterd aan respectievelijk de capillaire zijde en de inlaatzijde. Als er een overdrukventiel wordt toegevoegd, is het van essentieel belang dat er geen terugslagklep of afsluiter is gemonteerd tussen de aansluiting van de hydrobox en het toegevoegde overdrukventiel (een veiligheidsmaatregel).

■ Werkzaamheden aan het hydraulische filter (AL-LEEN serie EHPX)

Installeer een hydraulische filter of een andere filter (ter plaatse aan te schaffen) op de waterinlaat ("Leiding E" in tabel 3.4, zie ook de bijbehorende schematische weergave Afb. 3.5)

■ Aansluitingen leidingwerk

Aansluitingen op de hydrobox moeten worden gemaakt met behulp van knelkoppelingen van 28 mm (serie EHSC/D), de G1-moer (serie ERSC/D) of de G1 1/2-moer (serie E*SE). (De hydrobox heeft G1 of G1 1/2 (mannelijke) draadaansluitingen.)

Zet de knelkoppelingen niet te vast omdat dit vervorming van de knelring en mogelijke lekkage tot gevolg heeft.

Opmerking: Voordat u leidingen soldeert, beschermt u de leidingen op de hydrobox met o.a. natte handdoeken als 'hitteschild'. Gebruik twee moersleutels om de leidingen vast te draaien (zie <Afbeelding 4.3.2>).

■ Aftappen leidingwerk (ALLEEN ER-serie)

De aftapleiding moet worden geïnstalleerd voor het aftappen van water dat condenseert in de stand Koelen.

- Zet de aftapleiding stevig vast zodat er geen water uit de aansluiting kan lekken.
- Isoleer de afvoerleiding goed zodat er geen water uit de aangelegde aftapleiding kan druppelen.
- Installeer de aftapleiding aflopend in een helling van 1/100 of meer.
- Plaats de aftapleiding niet in het afvoerkanaal waar zwavelhoudend gas voorkomt.
- Controleer na de installatie dat de aftapleiding goed water afvoert uit de opening van de leiding.

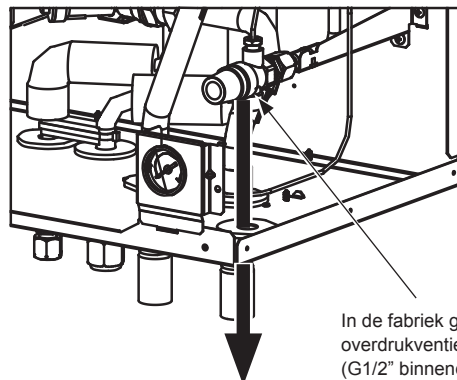
<Installatie>

1. Breng een polyvinyl-chloride lijm middel aan op de gearceerde oppervlakken aan de binnenzijde van de aftapleiding en aan de buitenzijde van de aftapaansluiting, zoals wordt afgebeeld.
2. Steek de aftapleiding diep in de afvoerleiding <Afbeelding 4.3.1>.

Opmerking: Geef de ter plaatse aangelegde afvoerleiding een goede ondersteuning met leidingsteunen, zodat de afvoerleiding niet uit de aftapaansluiting kan vallen. Voorkom dat vuil water direct op de vloer naast de hydrobox komt en verbind derhalve een geschikte afvoerleiding met de hydrobox.

■ Isolatie van leidingwerk

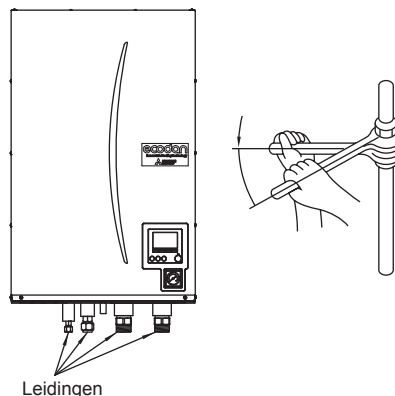
- Alle niet-afgeschermd waterleidingen moeten worden geïsoleerd, zodat onnodig warmteverlies en condensatie worden voorkomen. Om te voorkomen dat condens de hydrobox binnendringt moeten het leidingwerk en de aansluitingen boven op de hydrobox zorgvuldig worden geïsoleerd.
- Vermijd ongewenste warmte-overdracht, leg koudwater- en warmwaterleidingen, waar dat mogelijk is, niet dicht bij elkaar aan.
- Leidingwerk tussen de buiten-warmtepompunit en de hydrobox moeten worden geïsoleerd met geschikt isolatiemateriaal voor leidingen met een thermische geleiding van $\leq 0,04$ W/m.K.



In de fabriek gemonteerd overdrukventiel (G1/2" binnendraadse aansluiting)

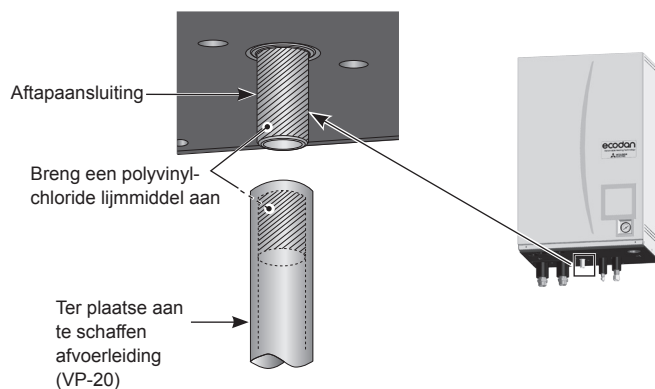
Lozen naar afvoer (de leiding MOET op verantwoorde wijze door een installateur worden gemonteerd).

<Afbeelding 4.3.1>



Leidingen

<Afbeelding 4.3.2>



<Afbeelding 4.3.3>

4 Installatie

Eigenschappen Watercirculatiepomp

Pomp snelheid kan worden geselecteerd door middel van een instelling van de Hoofdbediening (zie <Afbeelding 4.3.4 - 4.3.9>).
Stel de pompsnelheid zo af dat het debiet in het primaire circuit geschikt is voor de geïnstalleerde buitenunit (zie Tabel 4.3.1). Het kan, afhankelijk van de lengte en de stijging van het primaire circuit, nodig zijn een extra pomp aan het systeem toe te voegen.
Raadpleeg voor het niet in <Tabel 4.3.1> opgenomen model buitenunit Bereik waterdebiet in de specificatietabel in het gegevensboek van de buitenunit.

<Tweede pomp>

Lees, als een tweede pomp vereist is voor de installatie, het volgende aandachtig door.

Als een tweede pomp wordt gebruikt in het systeem, kan deze op 2 manieren worden geplaatst.

De plaatsing van de pomp bepaalt op welke aansluiting van de FTC de signaalkabel moet worden aangesloten. Gebruik, als de extra pomp(en) meer stroom dan 1A hebben, een geschikt relais. De signaalkabel van de pomp kan op TBO.1 1-2 of op CNP1 worden aangesloten, maar niet op beide.

Optie 1 (alleen ruimteverwarming/-koeling)

Als de tweede pomp alleen wordt gebruikt voor het verwarmingscircuit, moet de signaalkabel worden aangesloten op TBO.1-aansluitingen 3 en 4. (OUT2) In deze positie kan de pomp op een andere snelheid werken dan de ingebouwde pomp van de hydrobox.

Optie 2 (primaire circuit SWW en ruimteverwarming/-koeling)

Als de tweede pomp in het primaire circuit wordt gebruikt tussen de hydrobox en de buitenunit (ALLEEN Monobloc-systeem) moet de signaalkabel worden aangesloten op TBO.1-aansluitingen 1 en 2 (OUT1). In deze positie **moet** de pompsnelheid overeenkomen met de snelheid van de ingebouwde pomp van de hydrobox.

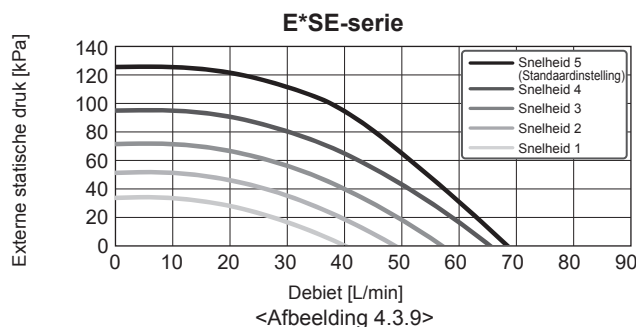
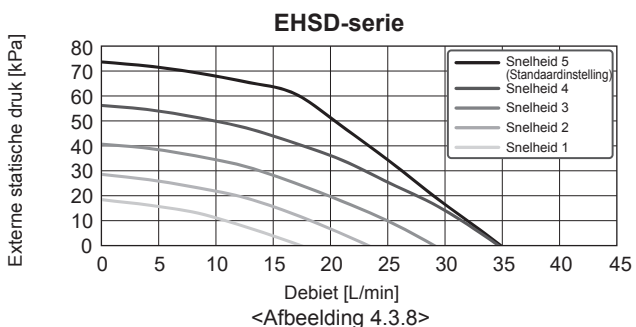
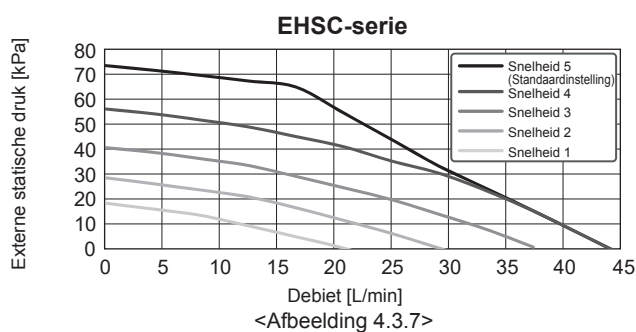
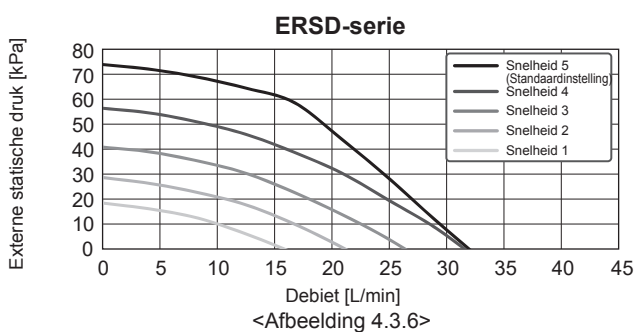
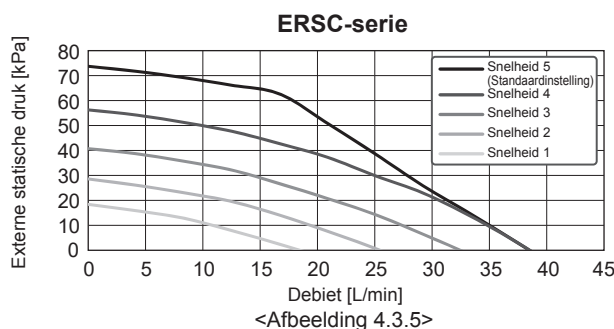
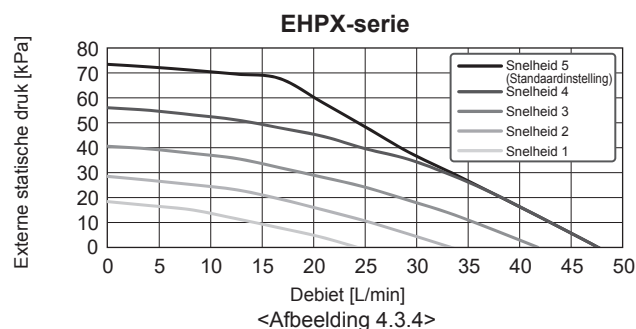
	Buiten-warmtepompunit	Bereik waterdebiet [L/min]
Monobloc	PUZ-WM50	6,5 - 14,3
	PUZ-WM60	8,6 - 17,2
	PUZ-WM85	10,8 - 25,8
	PUZ-WM112	14,4 - 32,1
	PUZ-HWM140	17,9 - 36,9
Split model	SUZ-SWM40	6,5 - 11,4
	SUZ-SWM60	7,2 - 17,2
	SUZ-SWM80	7,8 - 21,5
	PUHZ-FRP71	11,5 - 22,9
	PUHZ-SW75	10,2 - 22,9
	PUHZ-SW100	14,4 - 32,1
	PUHZ-SW120	20,1 - 36,9
	PUHZ-SHW80	10,2 - 22,9
	PUHZ-SHW112	14,4 - 32,1
	PUHZ-SHW140	17,9 - 36,9
	PUMY-P112	17,9 - 35,8
	PUMY-P125	17,9 - 35,8
PUMY-P140	17,9 - 35,8	

<Tabel 4.3.1>

* Als het waterdebiet minder is dan 5,0 L/min, wordt de debietfout geactiveerd.
Als het waterdebiet meer is dan 36,9 L/min, is de stroomsnelheid hoger dan 2,0 m/s, waardoor de leidingen kunnen eroderen.

nl **Opmerking: Raadpleeg 5.2 Externe ingangen/uitgangen aansluiten.**

Kenmerken van de watercirculatiepomp



4 Installatie

■ Formaat Expansievaten

Het volume van het expansievat moet passen bij het watervolume van het lokale systeem.
U kunt het juiste formaat van het expansievat voor zowel het verwarmingcircuit als het koelingcircuit vinden met behulp van de volgende formule en grafiek. Wanneer het benodigde volume van het expansievat groter is dan het volume van een ingebouwd expansievat, installeer dan een extra expansievat zodat de som van de volumes van de expansievaten groter is dan het benodigde volume van het expansievat.

* Voor de installatie van een model E***M*ED installeert u een geschikt expansievat aan de primaire zijde en een aanvullend overdrukventiel van 3 bar voor gebruik, omdat het model niet wordt geleverd met een expansievat aan de primaire zijde.

$$V = \frac{\varepsilon \times G}{1 - \frac{P_1 + 0,098}{P_2 + 0,098}}$$

Waarbij:

V : Het benodigde volume van het expansievat [L]
 ε : Waterexpansiecoëfficiënt
 G : Totaal volume van het water in het systeem [L]
 P₁ : Insteldruk van het expansievat [MPa]
 P₂ : Max. druk in bedrijf [MPa]

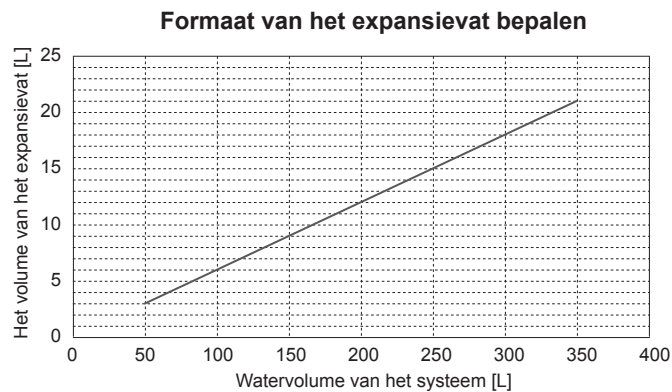
Grafiek rechts is voor de volgende waarden

ε : bij 70°C = 0,0229

P₁ : 0,1 MPa

P₂ : 0,3 MPa

*Er is een veiligheidsmarge van 30% toegevoegd.

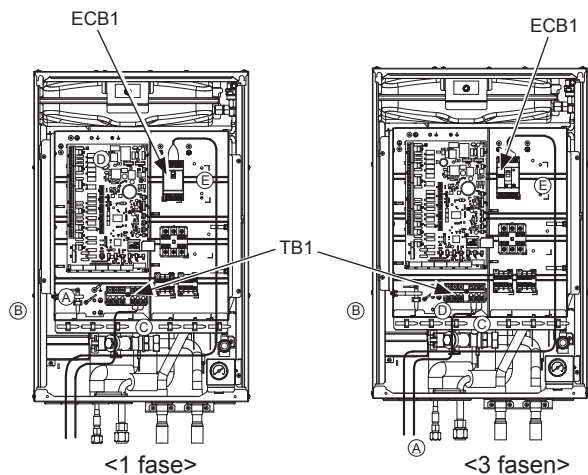


<Afbeelding 4.3.10>

4.4 Elektrische aansluiting

Alle werkzaamheden aan de elektrische installatie moeten door een monteur met de juiste kwalificaties worden uitgevoerd. Als u zich daar niet aan houdt, kan dat leiden tot elektrocutie, brand en een ongeluk met dodelijke afloop. Ook zal hierdoor de productgarantie komen te vervallen. Alle bedrading moet worden aangelegd volgens de nationale voorschriften voor bedrading.

Onderbreker afkorting	Betekent
ECB1	Earth Leakage Circuit Breaker (Verliesstroomschakelaar) voor Boosterverwarming
TB1	Aansluitklemmen 1



<Afbeelding 4.4.1>

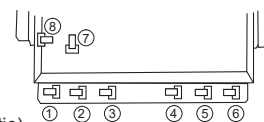
De hydrobox kan op twee manieren worden gevoed.

1. De voedingskabel wordt van de buitenunit naar de hydrobox geleid.
2. Hydrobox heeft een onafhankelijke voedingsbron.

Aansluitingen moeten tot stand worden gebracht aan de polen die worden aangeduid in de cijfers links onder, afhankelijk van de fase.

Boosterverwarming en dospelweerstand moeten onafhankelijk van elkaar worden aangesloten op hun eigen voeding.

- Ter plaatse aangeschafte bedrading moet door de ingangen worden gestoken die zich in de onderplaat van de hydrobox bevinden. (Raadpleeg <Tabel 3.4>.)
- Bedrading moet worden doorgevoerd langs de linkerzijde van de stuur- en schakelkast en met de geleverde klemmen worden vastgezet.
- De draden moeten volgens het schema hieronder worden vastgezet met de kabelbinders.
 - Uitgaande draden
 - Binnen-buitendraad
 - Voedingsleiding (B.H.)
 - signaalangdraden
 Bedrading voor draadloze ontvanger (Optie) (PAR-WR51R-E)
- Sluit de aansluitkabel buitenunit – hydrobox aan op TB1.
- Sluit de voedingskabel van de boosterverwarming aan op ECB1.



- Controleer dat ECB1 AAN is.

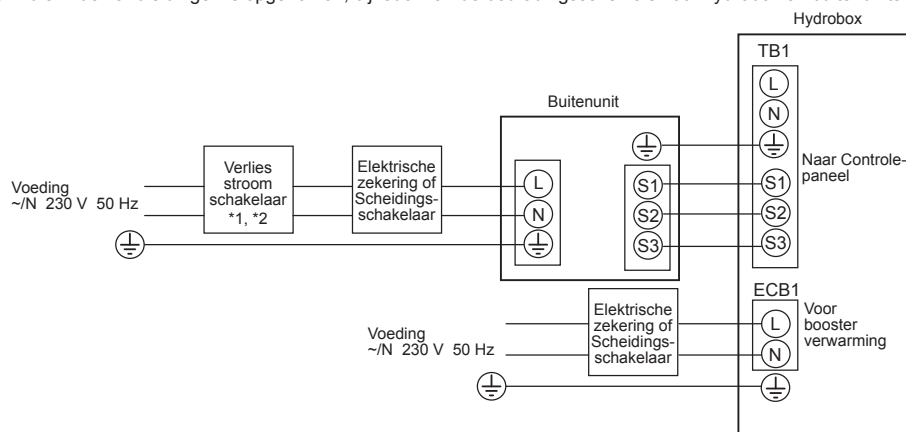
4 Installatie

Hydrobox gevoed via buitenunit

(Als u een onafhankelijke bron wilt gebruiken, gaat u naar de Mitsubishi-website.)

<1 fase>

Bevestig label A die in de handleidingen is opgenomen, bij ieder van de bedradingschema's voor hydrobox en buitenunits.

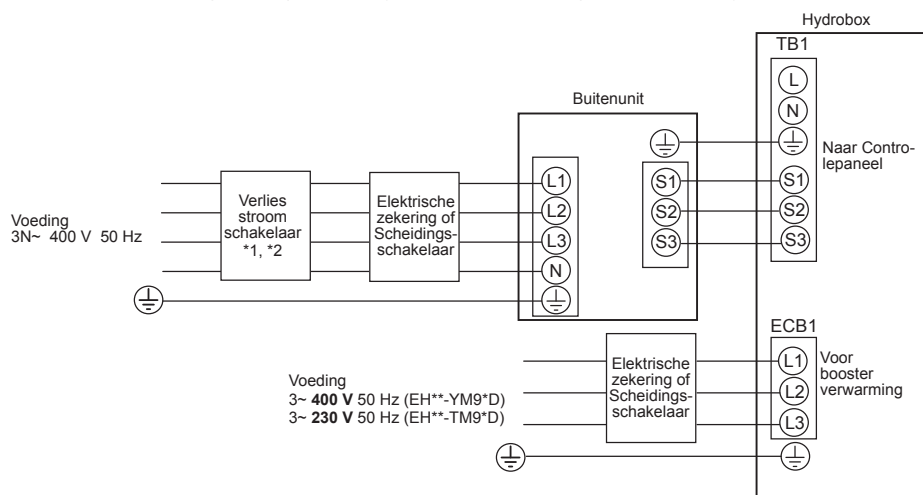


<Afbeelding 4.4.2>
Elektrische aansluitingen 1 fase

Beschrijving	Voeding	Capaciteit	Onderbreker	Bedrading
Boosterverwarming	~N 230 V 50 Hz	2 kW	16 A *2	2,5 mm ²
		6 kW	32 A *2	6,0 mm ²

nl <3 fasen>

Bevestig label A die in de handleidingen is opgenomen, bij ieder van de bedradingschema's voor hydrobox en buitenunits.



<Afbeelding 4.4.3>
Elektrische aansluitingen 3 fase

Beschrijving	Voeding	Capaciteit	Onderbreker	Bedrading
Boosterverwarming	3~ 400 V 50 Hz	9 kW	16 A *2	2,5 mm ²
	3~ 230 V 50 Hz	9 kW	32 A *2	6,0 mm ²

Bedrading Nr. × formaat (mm ²)	Hydrobox - Buitenunit	*3	3 × 1,5 (polair)
	Hydrobox - Buitenunit aarde	*3	1 × Min. 1,5
Circuit classificatie	Hydrobox - Buitenunit S1 - S2	*4	230V AC
	Hydrobox - Buitenunit S2 - S3	*4	24V DC

- *1. Als de geïnstalleerde verliesstroomschakelaar niet een functie voor overstrombeveiliging heeft, installeer dan een onderbreker met die functie langs dezelfde voedingsleiding.
- *2. Er moet een onderbreker met in iedere pool ten minste 3,0 mm contactscheiding worden geleverd. Gebruik een aardlekschakelaar (NV). De onderbreker moet worden geleverd zodat ont koppeling van alle actieve fasegeleiders van de voeding gewaarborgd is.
- *3. Max. 45 m
Als 2,5 mm² wordt gebruikt, Max. 50 m
Als 2,5 mm² wordt gebruikt S3 gescheiden, Max. 80 m
- *4. De waarden die in bovenstaande tabel worden gegeven, zijn niet altijd gemeten aan de grondwaarde.

Opmerkingen:

1. Formaat van de bedrading moet voldoen aan de geldende lokale en nationale voorschriften.
2. Aansluitsnoeren van de binnenunit/buitenunit mogen niet lichter zijn dan het met polychloropeen afgeschermd flexibele snoer. (Ontwerp 60245 IEC 57)
Voedingsnoeren van de binnenunit mogen niet lichter zijn dan het met polychloropeen afgeschermd flexibele snoer. (Ontwerp 60227 IEC 53)
3. Installeer een aarddraad die langer is dan de andere kabels.
4. Houd voldoende uitgangscapaciteit van de voeding over voor elke van de verwarmingstoestellen. Een tekort aan capaciteit van de voeding zou trillingen kunnen veroorzaken.

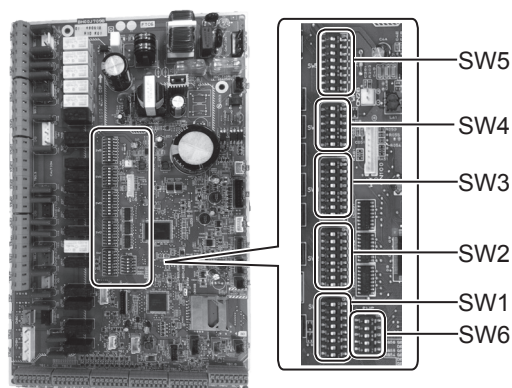
5 Systeeminstallatie

5.1 Functies van Dip-schakelaars

Het nummer van de Dip-schakelaars is naast de schakelaars op de printplaat afgedrukt. Het woord ON (AAN) is op de printplaat en op het blok van de Dip-schakelaar zelf afgedrukt. Als u de schakelaar wilt verzetten kunt u dat doen met een speld of met de hoek van een dunne metalen liniaal of iets dergelijks.

De instellingen van de Dip-schakelaars worden hieronder in Tabel 5.1.1 vermeld. Uitsluitend een erkende installateur mag de instellingen van de DIP-schakelaars veranderen in overeenstemming met de installatie-omstandigheden.

Het is belangrijk dat u, voordat u de instellingen van de schakelaars wijzigt, eerst zowel de binnenunit als de buitenunit uitschakelt.



<Afbeelding 5.1.1>

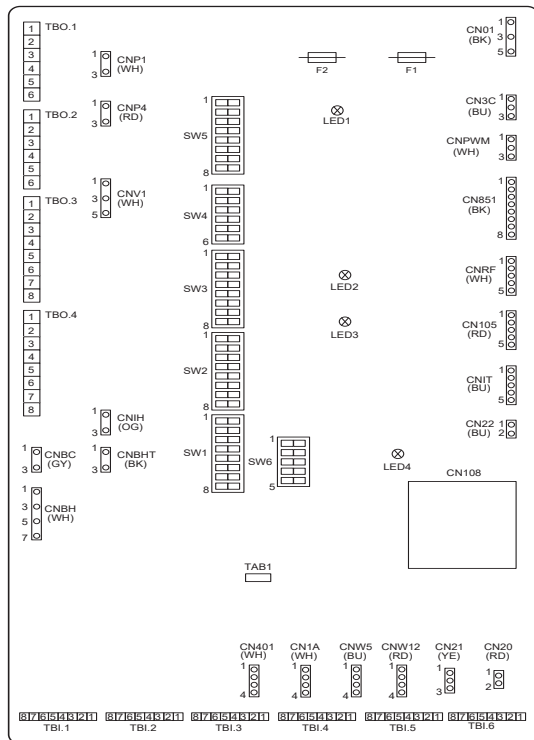
Dip-schake-laar	Functie	OFF	ON	Standaardinstellingen: Model binnenunit			
SW1	SW1-1 Boiler	ZONDER Boiler	MET Boiler	OFF			
	SW1-2 Maximale watertemperatuur uitlaat warmtepomp	55 °C	60 °C	ON *1			
	SW1-3 SWW-tank	ZONDER SWW-tank	MET SWW-tank	OFF			
	SW1-4 Dompelweerstand	ZONDER dompelweerstand	MET dompelweerstand	OFF			
	SW1-5 Boosterverwarming	ZONDER boosterverwarming	MET boosterverwarming	OFF: E***-MED ON : E***-M2/6/9*D			
	SW1-6 Functie Boosterverwarming	Alleen voor verwarming	Voor verwarming en SWW	OFF: E***-MED ON : E***-M2/6/9*D			
	SW1-7 Type buitenunit	Split model	Monobloc	OFF: behalve EHPX-*M**D ON : EHPX-*M**D			
	SW1-8 Draadloze afstandsbediening	ZONDER draadloze afstandsbediening	MET draadloze afstandsbediening	OFF			
SW2	SW2-1 Kamerthermostaat1 ingang (IN1) logische wijziging	Zone1 bedrijfsstop bij kortsluiting thermostaat	Zone1 bedrijfsstop bij thermostaat open	OFF			
	SW2-2 Debietschakelaar 1 ingang (IN2) logische wijziging	Foutdetectie bij kortsluiting	Foutdetectie bij open	OFF			
	SW2-3 Beperking capaciteit boosterverwarming	Inactief	Actief	OFF: behalve E***-VM2D ON : E***-VM2D			
	SW2-4 Stand voor koelen	Inactief	Actief	OFF: behalve ERS*-M**D ON : ERS*-M**D			
	SW2-5 Automatische overschakeling naar werking alleen op reservewarmtebron (Wanneer buitenunit stopt door fout)	Inactief	Actief *2	OFF			
	SW2-6 Mengtank	ZONDER mengtank	Met mengtank	OFF			
	SW2-7 2-zone-temperatuurregeling	Inactief	Actief *6	OFF			
	SW2-8 Debietsensor	ZONDER debietsensor	MET debietsensor	ON			
SW3	SW3-1 Kamerthermostaat 2 ingang (IN6) logische wijziging	Zone2 bedrijfsstop bij kortsluiting thermostaat	Zone2 bedrijfsstop bij thermostaat open	OFF			
	SW3-2 Debietschakelaar 2 en 3 ingang logische wijziging	Foutdetectie bij kortsluiting	Foutdetectie bij open	OFF			
	SW3-3	—	—	OFF			
	SW3-4 Meter elektrische energie	ZONDER meter elektrische energie	MET meter elektrische energie	OFF			
	SW3-5 Functie verwarmingsstand *3	Inactief	Actief	ON			
	SW3-6 2-zone-kraan AAN/UIT-regeling	Inactief	Actief	OFF			
	SW3-7 Warmtewisselaar voor SWW	Spoel in tank	Externe plaat HEX	OFF			
	SW3-8 Warmtemeter	ZONDER warmtemeter	MET warmtemeter	OFF			
SW4	SW4-1 Regeling meerdere buitenunits	Inactief	Actief	OFF			
	SW4-2 Positie van meerdere buitenunits regeling *7	Slave	Master	OFF			
	SW4-3	—	—	OFF			
	SW4-4 Alleen binnenunit-werking (Tijdens installatiewerkzaamheden) *4	Inactief	Actief	OFF			
	SW4-5 Noodstand (werking van alleen verwarming)	Normaal	Noodstand (werking van alleen verwarming)	OFF *5			
	SW4-6 Noodstand (werking boiler)	Normaal	Noodstand (werking boiler)	OFF *5			
SW5	SW5-1	—	—	OFF			
	SW5-2 Geavanceerde automatische aanpassing	Inactief	Actief	ON			
	SW5-3	Capaciteitscode					
	SW5-4		SW5-3	SW5-4	SW5-5	SW5-6	SW5-7
	SW5-5	E*SC-*M**D	ON	ON	ON	ON	OFF
	SW5-6	E*SD-*M**D	ON	OFF	OFF	ON	OFF
	SW5-7	E*SE-*M*ED	OFF	ON	ON	OFF	ON
	SW5-8	EHPX-*M**D	OFF	OFF	OFF	OFF	OFF
SW6	SW6-1	—	—	OFF			
	SW6-2	—	—	OFF			
	SW6-3 Druksensor	Inactief	Actief	OFF: behalve E*SD-*M**D ON: E*SD-*M**D			
	SW6-4 Analoge uitgang	Inactief	Actief	OFF			
	SW6-5	—	—	OFF			

<Tabel 5.1.1>

Opmerkingen:

- *1. Wanneer de hydrobox is aangesloten op een PUHZ-RP-buitenunit waarvan de maximale uitlaatwatertemperatuur 55°C is, moet Dip SW1-2 worden omgezet naar OFF.
- *2. OUT11 zal beschikbaar zijn. Om veiligheidsredenen is deze functie niet beschikbaar voor bepaalde fouten. (In dat geval moet de werking van het systeem worden gestopt en blijft alleen de watercirculatiepomp draaien.)
- *3. Deze schakelaar functioneert alleen wanneer de hydrobox is aangesloten op een PUHZ-FRP-buitenunit. Wanneer een ander type buitenunit is aangesloten, is de functie van de verwarmingsstand actief ongeacht of deze schakelaar op ON of OFF staat.
- *4. Ruimteverwarming en SWW zijn alleen mogelijk in het binnentoestel, net als een elektrische weerstand. (Zie "5.4 Alleen binnenunit-werking".)
- *5. Zet, als de noodtoestand niet langer vereist is, de schakelaar terug in de stand OFF.
- *6. Alleen actief als SW3-6 op OFF is gezet.
- *7. Alleen actief als SW4-1 op ON is gezet.

5.2 Ingangen/uitgangen aansluiten



<Afbeelding 5.2.1>

Specificatie van bedrading en ter plaatse aan te schaffen onderdelen

Item	Naam	Model en specificaties
Functie signaalingang	Draad signaalingang	Gebruik een afgeschermd(e) snoer of kabel met vinyl-coating Max. 30 m Draadtype: CV, CVS of gelijkwaardig Draadformaat: Gevlochten draad 0,13 mm ² tot 0,52 mm ² Massieve draad: ø0,4 mm tot ø0,8 mm
	Schakelaar	"a" contactsignalen zonder spanning Schakelaar afstandsbediening: minimaal toe te passen belasting 12 V DC, 1 mA

Opmerking:

Gevlochten draad dient te worden verwerkt met een geïsoleerd aansluitblok (compatibel met de norm DIN46228-4).

■ Signaalgangen

Naam	Aansluitklemmen	Connector	Item	OFF (Open)	ON (Kortgesloten)
IN1	TBI.1 7-8	—	Kamerthermostaat 1 ingang *1	Zie SW2-1 in <5.1 Functies van Dip-schakelaars>.	
IN2	TBI.1 5-6	—	Debietschakelaar 1 ingang	Zie SW2-2 in <5.1 Functies van Dip-schakelaars>.	
IN3	TBI.1 3-4	—	Debietschakelaar 2 ingang (Zone1)	Zie SW3-2 in <5.1 Functies van Dip-schakelaars>.	
IN4	TBI.1 1-2	—	Ingang Opraging controle	Normaal	Warmtebron OFF/Werking boiler *3
IN5	TBI.2 7-8	—	Ingang buitenthermostaat *2	Standaard werking	Werking van verwarming/Werking boiler *3
IN6	TBI.2 5-6	—	Kamerthermostaat 2 ingang *1	Zie SW3-1 in <5.1 Functies van Dip-schakelaars>.	
IN7	TBI.2 3-4	—	Debietschakelaar 3 ingang (Zone2)	Zie SW3-2 in <5.1 Functies van Dip-schakelaars>.	
IN8	TBI.3 7-8	—	Meter elektrische energie	*4	
IN9	TBI.3 5-6	—	Meter elektrische energie 2		
IN10	TBI.2 1-2	—	Warmtemeter		
IN11	TBI.3 3-4	—	Smart grid gereed ingang	*5	
IN12	TBI.3 1-2	—			
INA1	TBI.4 1-3	CN1A	Debietsensor	—	—

*1. Stel de ON/OFF cyclustijd van het thermostaat in de kamer op 10 minuten of langer; de compressor zal anders worden beschadigd.

*2. Als u een buitenthermostaat gebruikt voor het regelen van de werking van de verwarmingstoestellen, zal dat misschien de levensduur van de verwarmingstoestellen en onderdelen bekorten.

*3. Selecteer, als u de werking van de boiler wilt inschakelen, met de hoofdbediening de optie "Boiler" in het scherm "Instelling externe invoer" in het servicemenu.

*4. Aansluitbare meter elektrische energie en warmtemeter

- Pulstype Spanningsvrij contact for 12 V DC detectie door FTC (TBI.2 met 1 pen, TBI.3 met 5 en 7 pennen hebben een positief voltage.)
- Pulsduur Minimum ON-tijd: 40 ms
Minimum OFF-tijd: 100 ms
- Mogelijke pulseenheden 0,1 puls/kWh 1 puls/kWh 10 puls/kWh
100 puls/kWh 1000 puls/kWh

Deze waarden kunnen worden ingesteld met hoofdbediening. (Zie de menustructuur in "Hoofdbediening".)

*5. Raadpleeg de handleiding op de website voor de smart grid ready.

■ Thermistoringen

Naam	Aansluitklemmen	Connector	Item	Model als optie verkrijgbaar onderdeel
TH1	—	CN20	Thermistor (kamertemp.) (Optie)	PAC-SE41TS-E
TH2	—	CN21	Thermistor (ref. vloeistoftemp.)	—
THW1	—	CNW12 1-2	Thermistor (debiettemp.)	—
THW2	—	CNW12 3-4	Thermistor (retourwatertemp.)	—
THW5B	—	CNW5 3-4	Thermistor (SWW-tank watertemp.) (Optie)*1	PAC-TH011TK2-E(5 m)/ PAC-TH011TKL2-E(30 m)
THW6	TBI.5 7-8	—	Thermistor (Zone1 debiettemp.) (Optie)*1	PAC-TH011-E
THW7	TBI.5 5-6	—	Thermistor (Zone1 retourwatertemp.) (Optie)*1	
THW8	TBI.5 3-4	—	Thermistor (Zone2 debiettemp.) (Optie)*1	PAC-TH011-E
THW9	TBI.5 1-2	—	Thermistor (Zone2 retourwatertemp.) (Optie)*1	
THW10	TBI.6 5-6	—	Thermistor (Watertemp. mengtank) (Optie)*1	PAC-TH012HT-E(5 m)/ PAC-TH012HTL-E(30 m)
THWB1	TBI.6 7-8	—	Thermistor (boiler debiettemp.) (Optie)*1	

Sluit de bedrading van thermistors aan uit de buurt van de voedingsleiding en/of de bedrading van OUT1 tot 16.

*1. De maximale lengte van de bedrading van de thermistor is 30 m. Wanneer de draden op naast elkaar liggende aansluitingen zijn aangesloten, gebruik dan ringaansluitingen en isoleer de draden.

De lengte van de bedrading van de optionele thermistors is 5 m. Houd u aan de volgende aanwijzingen als de bedrading moet worden gesplitst en langer moet worden gemaakt.

- 1) Soldeer de aansluitingen van de bedrading.
- 2) Isoleer elke aansluiting tegen stof en water.

5 Systeeminstallatie

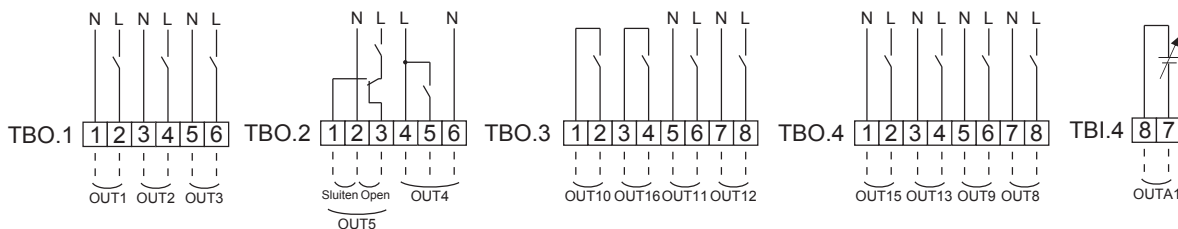
Uitgangen

Naam	Aansluitklemmen	Connector	Item	OFF	ON	Signaal/Max. stroom	Max. totale stroom
OUT1	TBO.1 1-2	CNP1	Watercirculatiepomp 1 uitgang (ruimteverwarming/-koeling en SWW)	OFF	ON	230 V AC 1,0 A Max. (Inschakelstroom max. 40A)	4,0 A (a)
OUT2	TBO.1 3-4	—	Watercirculatiepomp 2 uitgang (ruimteverwarming/-koeling voor Zone1)	OFF	ON	230 V AC 1,0 A Max. (Inschakelstroom max. 40A)	
OUT3	TBO.1 5-6	—	Watercirculatiepomp 3 uitgang (ruimteverwarming/-koeling voor Zone2) *1	OFF	ON	230 V AC 1,0 A Max. (Inschakelstroom max. 40A)	
OUT14	—	CNP4	Watercirculatiepomp 4 uitgang (SWW)	OFF	ON	230 V AC 1,0 A Max. (Inschakelstroom max. 40A)	
OUT4	TBO.2 4-6	CNV1	3-wegventiel (2-wegventiel 1) uitgang	Verwarming	SWW	230 V AC 0,1 A Max.	3,0 A (b)
	—	CN851	3-wegventiel uitgang				
OUT5	TBO.2 1-2	—	Mengklep uitgang *1	Stoppen	Sluiten	230 V AC 0,1 A Max.	
	TBO.2 2-3	—			Open		
OUT6	—	CNBH 1-3	Boosterverwarming 1 uitgang	OFF	ON	230 V AC 0,5 A Max. (Relais)	
OUT7	—	CNBH 5-7	Boosterverwarming 2 uitgang	OFF	ON	230 V AC 0,5 A Max. (Relais)	
OUT8	TBO.4 7-8	—	Koelsignaaluitgang	OFF	ON	230 V AC 0,5 A Max.	
OUT9	TBO.4 5-6	CNIH	Dompelweerstand	OFF	ON	230 V AC 0,5 A Max. (Relais)	
OUT11	TBO.3 5-6	—	Fout uitgang	Normaal	Fout	230 V AC 0,5 A Max.	
OUT12	TBO.3 7-8	—	Ontdooien uitgang	Normaal	Ontdooien	230 V AC 0,5 A Max.	
OUT13	TBO.4 3-4	—	2-wegventiel 2a uitgang *2	OFF	ON	230 V AC 0,1 A Max.	
OUT15	TBO.4 1-2	—	Signaal Comp ON	OFF	ON	230 V AC 0,5 A Max.	
OUT10	TBO.3 1-2	—	Boiler uitgang	OFF	ON	Spanningsloos contact ·220 - 240 V AC (30 V DC) 0,5 A of minder ·10 mA 5 V DC of meer	—
OUT16	TBO.3 3-4	—	Verwarmen/Koelen signaal thermo AAN	OFF	ON		
OUTA1	TBI.4 7-8	—	Analoge uitgang	0 V-10 V		0-10V DC 5mA Max.	—

Sluit niet aan op de aansluitingen die worden aangeduid als “—” in het veld “Aansluitklemmen”.

*1 Voor 2-zone-temperatuurregeling.

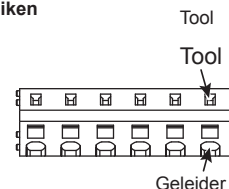
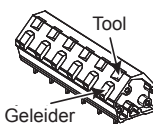
*2 Voor 2-zone-kraan AAN/UIT-regeling.



Specificatie van bedrading en ter plaatse aan te schaffen onderdelen

Item	Naam	Model en specificaties
Externe uitvoerfunctie	Draad uitgaande	Gebruik een afgeschermd(e) snoer of kabel met vinyl-coating Max. 30 m Draadtype: CV, CVS of gelijkwaardig Draadformaat: Gevlochten draad 0,25 mm ² tot 1,5 mm ² Massieve draad: 0,25 mm ² tot 1,5 mm ²

Hoe TBO.1 tot 4 te gebruiken



Overzichtswaargave

Bovenaanzicht

Sluit ze aan op een van beide manieren zoals hierboven weergegeven.
<Afbeelding 5.2.2>

Opmerkingen:

1. Wanneer de hydrobox wordt gevoed via de buitenunit, is de maximale totale stroom van (a)+(b) 3,0 A.
2. Sluit niet meerdere watercirculatiepompen direct op de uitgangen (OUT1, OUT2 en OUT3) aan. Sluit ze dan aan via (een) relais.
3. Sluit niet de watercirculatiepompen aan op zowel TBO.1 1-2 en CNP1 tegelijkertijd.
4. Sluit een geschikte piekstroomb beveiliging aan op OUT10 (TBO.3 1-2), afhankelijk van de belasting op de locatie.
5. Gevlochten draad dient te worden verwerkt met een geïsoleerd aansluitblok (compatibel met de norm DIN46228-4).
6. Gebruik voor de bedrading van OUTA1 hetzelfde draad als de draad voor de signaalingang.

5.3 Bedrading voor 2-zone-temperatuurregeling

Sluit de leidingen en ter plaatse aan te schaffen onderdelen aan conform de schematische voorstelling 'lokaal systeem' in Sectie 3 van deze handleiding.

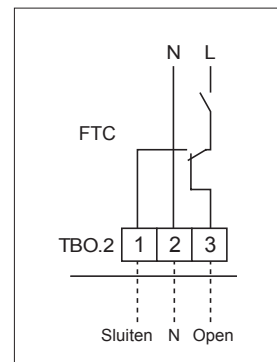
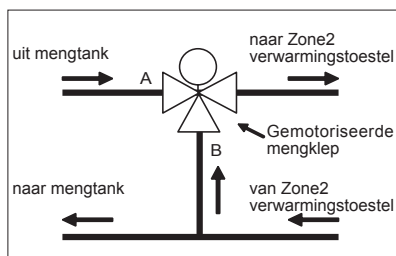
<Gemotoriseerde mengklep>

Sluit de signaallijn naar open Poort A (warmwaterinlaatpoort) aan op TBO. 2-3 (Open), de signaallijn naar open Poort B (koudwaterinlaatpoort) op TBO. 2-1 (Sluit), en de neutrale aansluitdraad op TBO. 2-2 (N).

<Thermistor>

- Installeer de thermistors niet op de mengtank.
- Installeer de thermistor voor de Zone2 voorlooptemp. (THW8) bij de gemotoriseerde mengklep.
- De maximale lengte van de thermistorbedrading is 30 m.
- De lengte van de bedrading van de optionele thermistors is 5 m. Houd u aan de volgende aanwijzingen als de bedrading moet worden gesplitst en langer moet worden gemaakt.

- 1) Soldeer de aansluitingen van de bedrading.
- 2) Isoleer elke aansluiting tegen stof en water.



5 Systeeminstallatie

5.4 Alleen binnenunit-werking (tijdens installatiewerkzaamheden)

Als SWW of verwarmingswerking is vereist voorafgaand aan aansluiting van de buitenunit, bijv. tijdens installatiewerkzaamheden, kan een elektrische verwarming in de binnenunit (*1) worden gebruikt.

*1 Alleen model met elektrische verwarming.

1. Werking opstarten

- Controleer of de voeding van de binnenunit OFF is en zet Dip-schakelaars 4-4 en 4-5 op ON.
- Schakel de voeding van de binnenunit in (ON).

2. Werking uitschakelen *2

- Schakel de voeding van de binnenunit uit (OFF).
- Zet de Dip-schakelaars 4-4 en 4-5 op OFF.

*2 Als de werking van alleen de binnenunit is beëindigd, controleer dan de instellingen nadat de buitenunit is aangesloten.

Opmerking:

Langdurig inschakelen van deze werking kan de levensduur van de elektrische verwarming bekorten.

5.5 Een SD-geheugenkaart gebruiken

De hydrobox is in FTC voorzien van een interface voor een SD-geheugenkaart.

Met behulp van een SD-geheugenkaart kunnen de instellingen van de Hoofdbediening worden vereenvoudigd en kunnen bedrijfslogboeken worden opgeslagen. *1

*1 Als u de instellingen van de Hoofdbediening wilt bewerken of de bedrijfsgegevens wilt controleren, hebt u een Ecodan-service-tool (voor de PC) nodig.

<Aanwijzingen voor veilig gebruik>

- (1) Gebruik een SD-geheugenkaart die voldoet aan de SD-normen. Controleer dat er op de SD-geheugenkaart een logo staat zo als die welke rechts zijn afgebeeld.
- (2) SD-geheugenkaarten die voldoen aan de SD-normen zijn onder meer geheugenkaarten van het type SD, SDHC, miniSD, micro SD, en microSDHC. De capaciteit die beschikbaar is, is maximaal 32 GB. Kies een geheugenkaart waarvan de maximaal toegestane temperatuur 55°C is.
- (3) Wanneer de SD-geheugenkaart een kaart van het type miniSD, miniSDHC, microSD of micro SDHC is, gebruik dan een conversieadapter voor SD-geheugenkaarten.
- (4) Verplaats de schakelaar voor de schrijfbescherming voordat u gegevens op de SD-geheugenkaart gaat schrijven.



- (5) Het is belangrijk dat u, voordat u een SD-geheugenkaart plaatst of uitneemt, het systeem uitschakelt. Als u een SD-geheugenkaart plaatst of uitneemt terwijl het systeem is ingeschakeld, kunnen de opgeslagen gegevens beschadigd raken of kan de SD-geheugenkaart beschadigd worden.
*Er staat nog spanning op een SD-geheugenkaart als het systeem al een tijdje is uitgeschakeld. Wacht voordat u een SD-geheugenkaart plaatst of uitneemt, tot alle LED-lampjes op het FTC-controlepaneel uit zijn.
- (6) De lees- en schrijfbewerkingen zijn gecontroleerd met de volgende SD-geheugenkaarten, maar deze bewerkingen worden niet altijd gegarandeerd omdat de specificaties van deze SD-geheugenkaarten kunnen veranderen.







Fabrikant	Model	Getest in
Verbatim	#44015	Mrt. 2012
SanDisk	SDSDB-002G-B35	Okt. 2011
Panasonic	RP-SDP04GE1K	Okt. 2011
Arvato	2GB PS8032 TSB 24nm MLC	Jun. 2012
Arvato	2GB PS8035 TSB A19nm MLC	Jul. 2014
SanDisk	SDSDUN-008G-G46	Okt. 2016
Verbatim	#43961	Okt. 2016
Verbatim	#44018	Okt. 2016
VANTASTEK	VSDHC08	Sep. 2017

Controleer altijd, voordat u een nieuwe SD-geheugenkaart in gebruik neemt (ook de kaart die bij het toestel wordt geleverd), dat de SD-geheugenkaart door de FTC-controller veilig kan worden gebruikt voor lees- en schrijfbewerkingen.

<Zo controleert u lees- en schrijfbewerkingen>

- a) Controleer dat de voeding op juiste wijze op het systeem is aangesloten. Raadpleeg voor nadere bijzonderheden paragraaf 4.4. (Zet het systeem op dit punt nog niet aan.)
- b) Plaats een SD-geheugenkaart.
- c) Zet het systeem aan.
- d) Het LED4-lampje licht op als de lees- en schrijfbewerkingen met goed gevolg zijn voltooid. Als het LED4-lampje blijft knipperen of niet oplicht, kan de SD-geheugenkaart niet door de FTC-controller worden gebruikt voor lees- en schrijfbewerkingen.

- (7) Volg vooral de instructies van de fabrikant van de SD-geheugenkaart en neem de gestelde eisen in acht.
- (8) Formateer de SD-geheugenkaart als in stap (6) wordt vastgesteld dat de kaart onleesbaar is. Dit kan de kaart leesbaar maken. Download een formatterprogramma voor een SD-kaart van de volgende site. Homepage SD Association: <https://www.sdcard.org/home/>
- (9) FTC ondersteunt het FAT-bestandssysteem maar niet het NTFS-bestandssysteem.
- (10) Mitsubishi Electric is niet aansprakelijk voor schade, geheel of gedeeltelijk, waaronder door het niet schrijven naar een SD-geheugenkaart en door beschadiging of verlies van opgeslagen gegevens, of iets dergelijks. Maak een reservekopie van opgeslagen gegevens, als dat nodig is.
- (11) Raak geen elektronische onderdelen op het FTC-controlepaneel aan, wanneer u een SD-geheugenkaart plaatst of uitneemt, omdat anders het controlepaneel misschien niet goed zal werken.

Logo's
  
  
Capaciteit
2 GB tot 32 GB *2
SD-snelheidsklasse
Alle

- Het SD-Logo is een handelsmerk van SD-3C, LLC.
- Het miniSD-logo is een handelsmerk van SD-3C, LLC.
- Het microSD-logo is een handelsmerk van SD-3C, LLC.

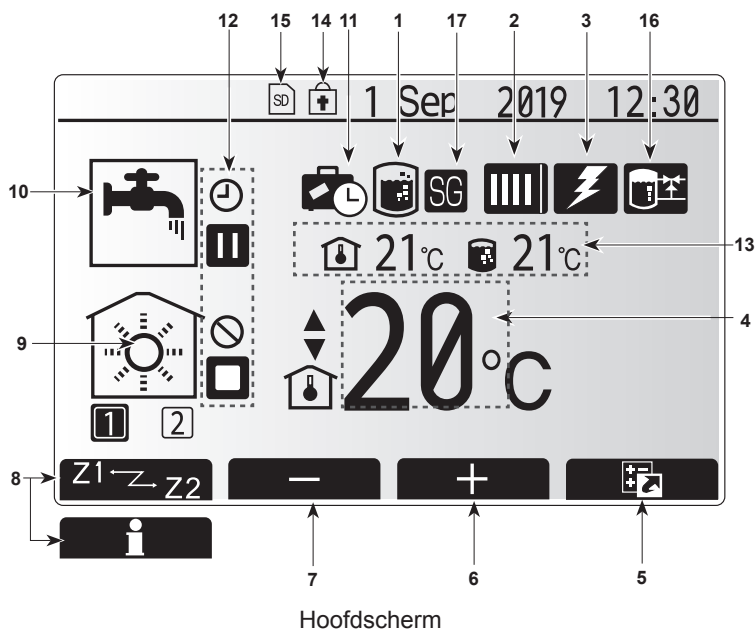
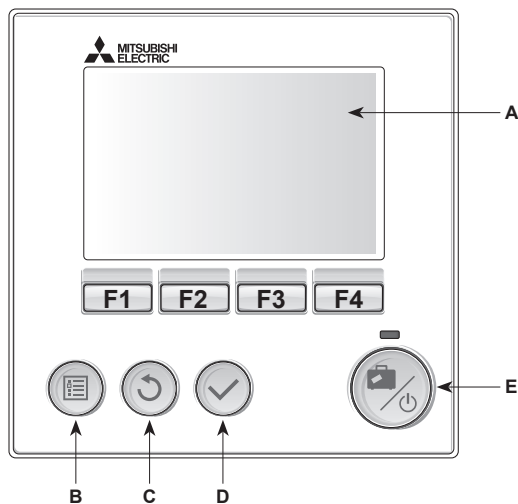
*2 Op een SD-geheugenkaart van 2-GB kunnen de bedrijfslogboeken van maximaal 30 dagen worden opgeslagen.

5 Systeeminstallatie

5.6 Hoofdbediening

Als u de instellingen van uw verwarmings-/koelsysteem wilt wijzigen, gebruikt u de hoofdafstandsbediening, die zich bevindt op het voorpaneel van de cilinderunit of de hydrobox. Hieronder volgt een gids voor het bekijken van de hoofdinstellingen. Neem voor meer informatie contact op met uw installateur of uw plaatselijke Mitsubishi Electric-dealer.

De modus Koelen is alleen beschikbaar op de ERS-serie. De modus Koelen is echter niet beschikbaar wanneer de binneneenheid is aangesloten op PUHZ-FRP.



<Onderdelen Hoofdbediening>

Letter	Naam	Functie
A	Scherm	Scherm waarin alle informatie wordt weergegeven.
B	Menu	Toegang tot systeeminstellingen voor basisinstellingen en wijzigingen.
C	Terug	Keer terug naar het vorige menu.
D	Bevestig	Selecteren of opslaan (Enter-toets)
E	Aan/Uit/ Vakantie	Als het systeem is uitgeschakeld, kunt u het door één keer te drukken inschakelen. Drukt u nogmaals, wanneer het systeem is ingeschakeld, wordt de Vakantieregeling ingeschakeld. Als u de knop 3 seconden ingedrukt houdt, wordt het systeem uitgeschakeld. (*1)
F1-4	Functietoetsen	Voor het scrollen door het menu en het aanpassen van instellingen. Functie wordt bepaald door het menuscherm dat zichtbaar is op scherm A.

*1

Wanneer het systeem is uitgeschakeld of de voeding is losgekoppeld, werken de beveiligingsfuncties voor de binneneenheid (bijv. de Anti-vries modus) NIET. Let op: wanneer deze veiligheidsfuncties niet zijn ingeschakeld, kan de binneneenheid beschadigd raken.

<Pictogrammen op het hoofdscherm>

	Pictogram	Beschrijving
1	Legionella-preventie	Wanneer dit pictogram wordt weergegeven, is de "Stand Legionella-preventie" actief.
2	Warmtepomp	"Warmtepomp" draait. Ontdooien Noodverwarming 'Stille modus' is geactiveerd.
3	Elektrische verwarming	Wanneer dit pictogram wordt weergegeven zijn de "Elektrische verwarmingstoestellen" (boosterverwarming of dompelweerstand) in gebruik.
4	Doeltemperatuur	Doelvoorlooptemperatuur Doelkamertemperatuur Compensatiecurve
5	OPTIE	Wanneer u op de functieknop onder dit pictogram drukt, wordt het scherm Optie weergegeven.
6	+	Laat gewenste temperatuur toenemen.
7	-	Laat gewenste temperatuur afnemen.
8	Z1 Z2	Wanneer u op deze functieknop onder dit pictogram drukt, wordt overgeschakeld tussen Zone1 en Zone2. Informatie: Wanneer u op deze functieknop onder dit pictogram drukt, wordt het informatiescherm weergegeven.
9	Stand ruimteverwarming (koeling)	Verwarmingsstand Zone1 of Zone2 Koelstand Zone1 of Zone2
10	SWW-modus	Normaal of ECO-stand
11	Vakantieregeling	Wanneer dit pictogram wordt weergegeven, is "Vakantieregeling" geactiveerd.
12		Timer Verbieden Serverregeling Stand-by Stand-by (*2) Stoppen In bedrijf
13	Actuele temperatuur	Actuele kamertemperatuur Actuele watertemperatuur van SWW-tank
14		De Menuknop is vergrendeld of het overschakelen van de bedrijfsstanden tussen SWW en verwarming worden uitgeschakeld in het scherm Optie. (*3)
15		SD-geheugenkaart (NIET voor de gebruiker) is geplaatst.
16	Buffertankregeling	Wanneer dit pictogram wordt weergegeven, is de 'Buffertankregeling' actief.
17	Smart grid ready	Wanneer dit pictogram wordt weergegeven, is 'Smart grid ready' actief.

*2 Deze unit is stand-by terwijl andere binneneenheid(s) bij voorrang in werking is (zijn).

*3 Druk gedurende drie seconden tegelijkertijd op de toetsen TERUG en BEVESTIG om het menu te vergrendelen of ontgrendelen.

5 Systeeminstallatie

■ [Wizard voor basisinstellingen]

Wanneer de hoofdafstandsbediening voor de eerste keer wordt ingeschakeld, worden automatisch het scherm van het menu Basisinstelling, het instelscherm voor de Taal en het instelscherm Datum/Tijd, in die volgorde, weergegeven. Voer het nummer van uw keuze in met de functietoetsen en druk op BEVESTIGEN.

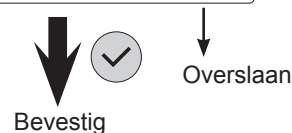
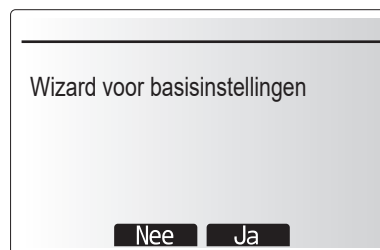
Opmerking:

<[CAP.BEPERKING WEERSTANDEN]>

Deze instelling beperkt de capaciteit van de boosterverwarming. Het is NIET mogelijk de instelling te wijzigen na het opstarten.

Als u geen speciale vereisten hebt (zoals bouwvoorschriften in uw land) kunt u deze instelling overslaan (selecteer "Nee").

- [Sanitair Warm Water(SWW)]
- [Verw.]/[Koelen]
- [Bedrijfsmodus (AAN/Verbieden/Timer)]
- [Pompsnelheid]
- [Bereik debietmeter warmtepomp]
- [Regeling mengklep]
- [CAP.BEPERKING WEERSTANDEN]



■ Menu Hoofdinstantellingen

U krijgt toegang tot het menu Hoofdinstantellingen door op de knop MENU te drukken. Om het risico te beperken dat ongetrainde eindgebruikers de instellingen per ongeluk veranderen zijn er twee toegangsniveaus tot de hoofdinstantellingen en is het menu van het servicegedeelte met een wachtwoord beveiligd.

Gebruikersniveau - Kort drukken

Als de knop MENU één keer kort wordt ingedrukt, worden de hoofdinstantellingen weergegeven maar zonder de bewerkingfunctie. Zo kan de gebruiker de actuele instellingen bekijken maar NIET de parameters wijzigen.

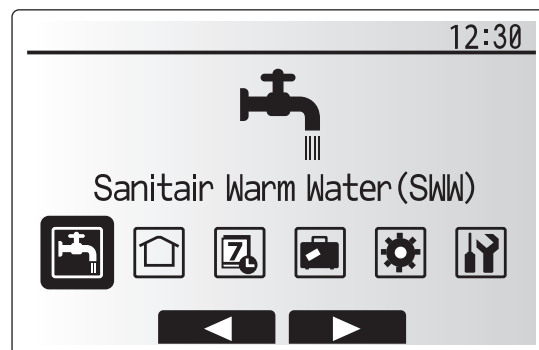
Installateursniveau - Lang drukken

Als de knop MENU 3 seconden wordt ingedrukt, worden de hoofdinstantellingen weergegeven met alle beschikbare functionaliteit.

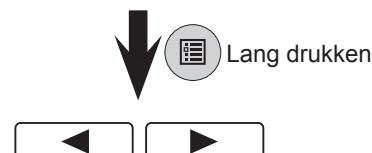
De kleur van de ◀▶ -toetsen is omgekeerd, zoals aangegeven in de afbeelding rechts. <Afb. 5.6.1>.

De volgende items kunnen worden bekeken en/of bewerkt (afhankelijk van het toegangsniveau).

- [Sanitair Warm Water (SWW)]
- [Verwarming]/[Koelen]
- [Wekklok]
- [Vakantieregeling]
- [Basisinstelling]
- [Service (Beveiligd met wachtwoord)]



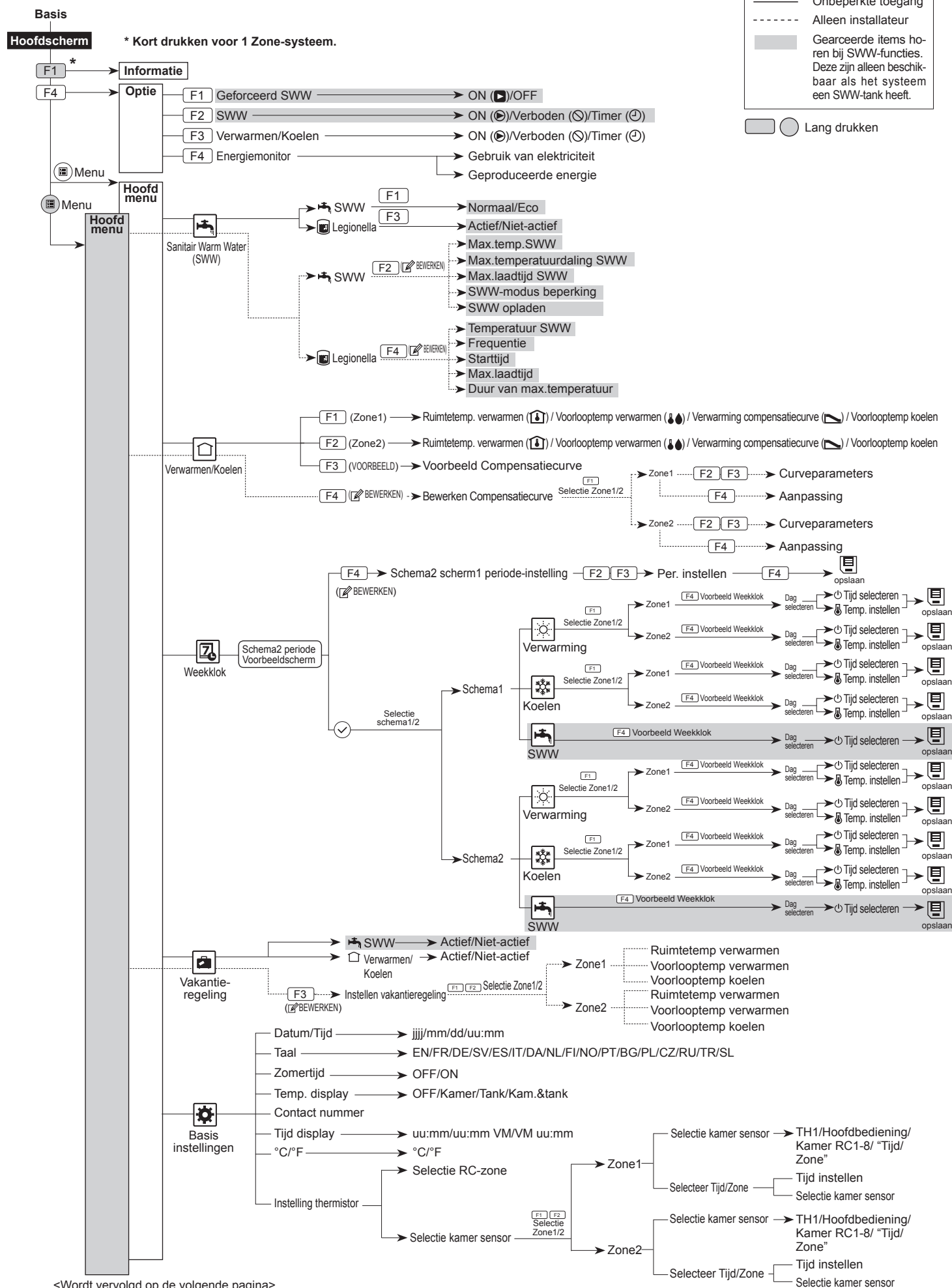
Hoofdmenu



<Afb. 5.6.1>

5 Systeeminstallatie

<Menustructuur hoofdbediening>

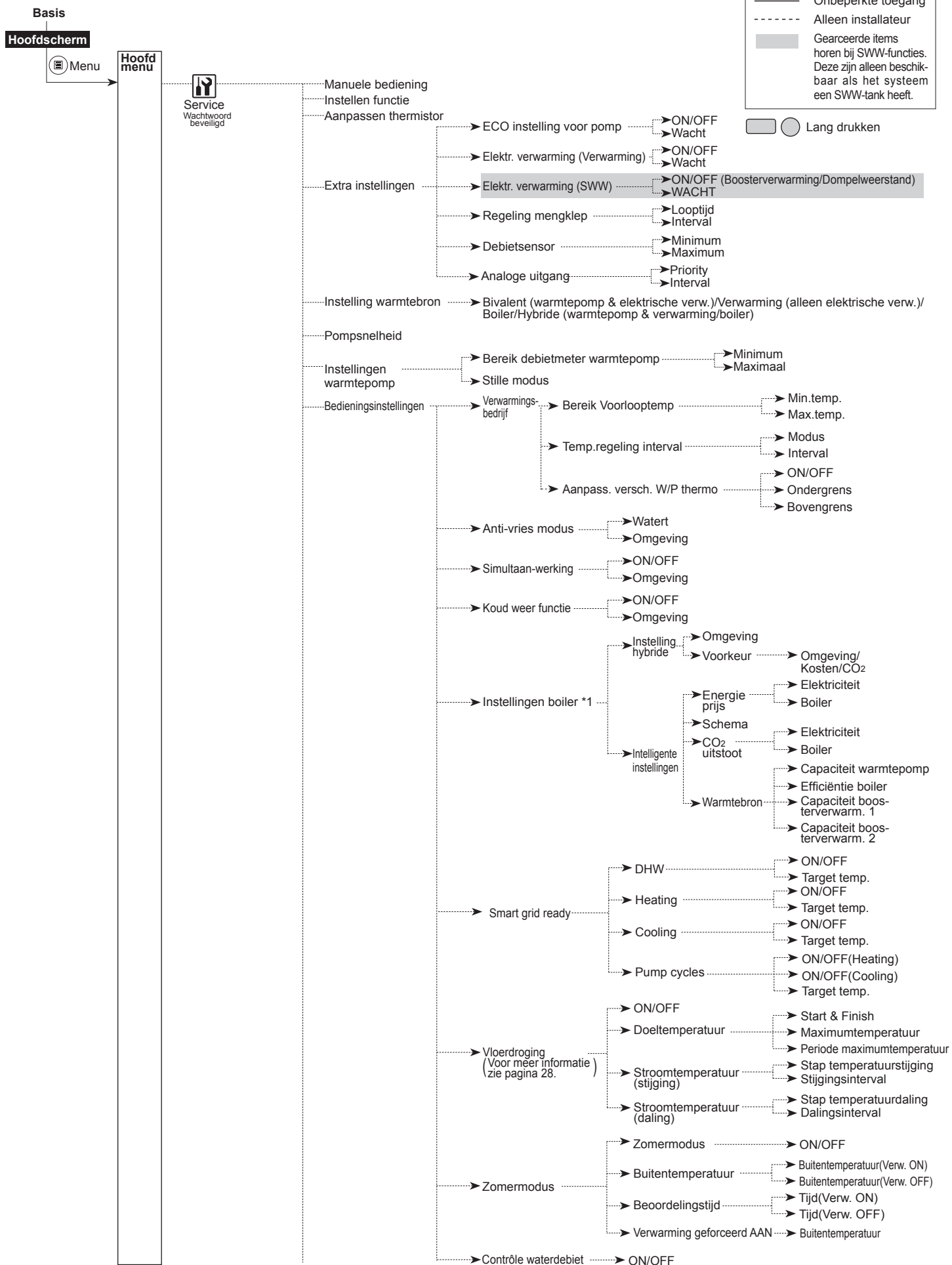


<Wordt vervolgd op de volgende pagina>

5 Systeminstallatie

<Vervolg van vorige pagina>

<Menustructuur hoofdbediening>



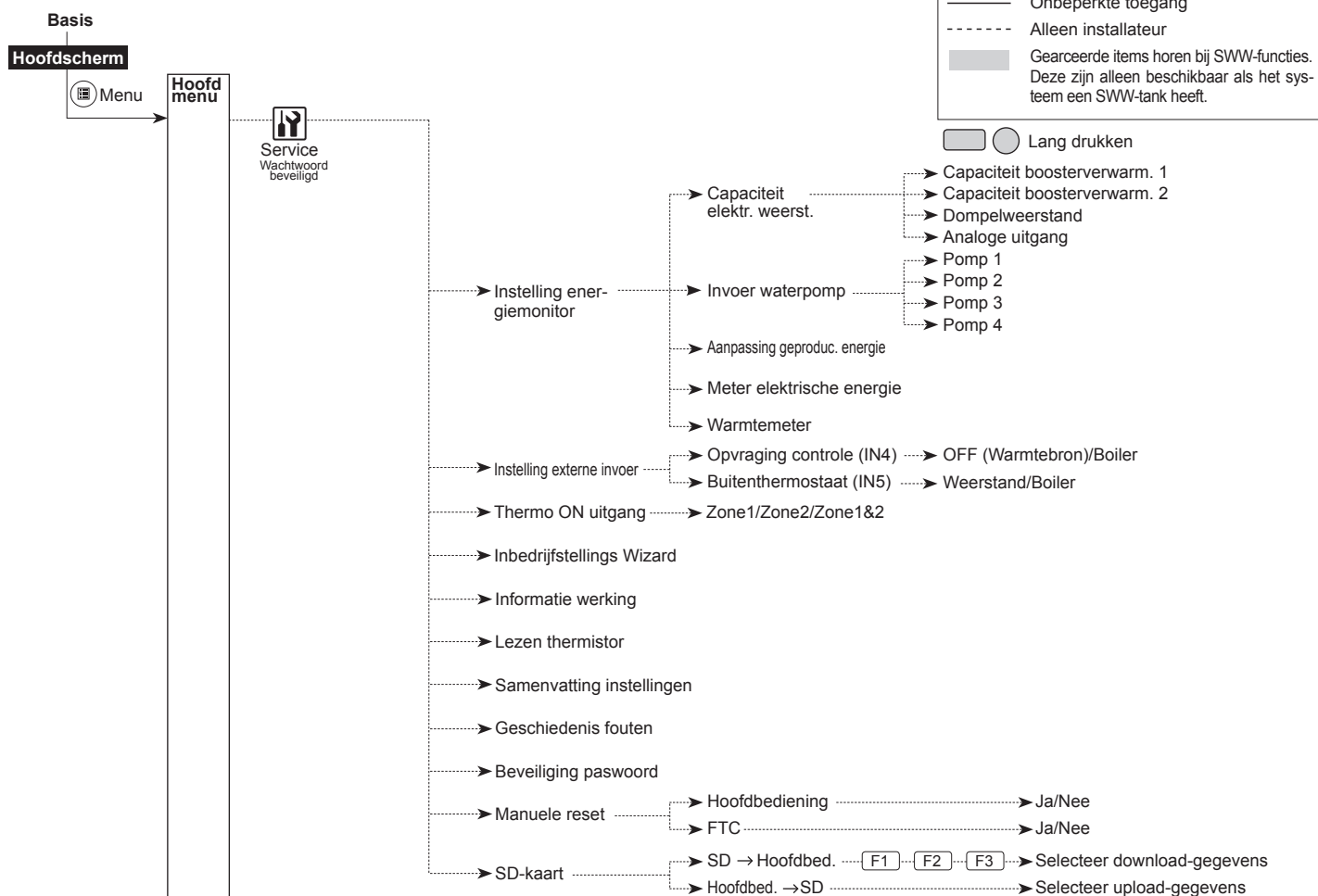
<Wordt vervolgd op de volgende pagina>

*1 Raadpleeg voor nadere bijzonderheden de installatiehandleiding van PAC-TH012HT(L)-E.

5 Systeeminstallatie

<Vervolg van vorige pagina>

<Menustructuur hoofdbediening>

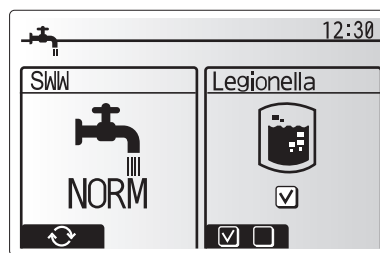


Sanitair warm water (SWW)/Legionella-preventie

De menu's voor Sanitair warm water en legionellapreventie regelen de werking van de warmtetoenames van de SWW-tank.

<Instellingen SWW-modus>

1. Markeer het warmwaterpictogram en druk op BEVESTIGEN.
2. Schakel met behulp van knop F1 over tussen de verwarmingsstanden Normaal en ECO.
3. Druk gedurende 3 seconden op de knop MENU en selecteer vervolgens "heet water" om de modus te bewerken.
4. Druk op de toets F2 om het menu INSTELLING Sanitair Warm Water (SWW) weer te geven.
5. Scrol met de toetsen F2 en F3 door het menu en selecteer de verschillende componenten na elkaar door op BEVESTIGEN te drukken. In onderstaande tabel vindt u een beschrijving van elk van de instellingen.
6. Voer het nummer van uw keuze in met de functietoetsen en druk op BEVESTIGEN.



Menu-ondertitel	Functie	Bereik	Eenheid	Standaardwaarde
Max.temp.SWW	Gewenste temperatuur van het opgeslagen warme water	40 - 60	°C	50
Max.temperatuursdaling SWW	Verskil in temperatuur tussen max. temp. SWW en en de temperatuur waarbij de SWW-modus herstart.	5 - 30	°C	10
Max.laadtijd SWW	Maximale toegestane tijd voor opwarmen opgeslagen water SWW-modus	30 - 120	min	60
SWW modus beperking	De tijd na de SWW-modus dat ruimteverwarming de voorkeur heeft boven de SWW-modus en opwarming van opgeslagen water tijdelijk wordt voorkomen (Alleen wanneer Max.laadtijd SWW is verstreken.)	30 - 120	min	30

* Wanneer de max. temp van SWW is ingesteld op hoger dan 55°C, moet de temperatuur waarop de SWW-modus herstart minder dan 50°C zijn om het apparaat te beschermen.

<Eco-stand>

De SWW-modus kan werken in de stand "Normaal" of "Eco". In de stand Normaal zal het water in de SWW-tank sneller opwarmen met behulp van het volledige vermogen van de warmtepomp. In de stand Eco duurt het opwarmen van het water in de SWW-tank wat langer maar wordt er minder energie verbruikt. Dit is omdat de werking van de warmtepomp wordt beperkt met behulp van signalen van de FTC, uitgaande van de gemeten temperatuur van de SWW-tank.

Opmerking: Hoeveel energie werkelijk wordt bespaard in de Eco-stand varieert afhankelijk van de buitentemperatuur.

<[SWW opladen]>

Selecteer de hoeveelheid SWW. Als u veel heet water nodig heeft, selecteert u GROOT.

Terug naar het menu SWW/legionellaprevention.

Instellingen van de stand Legionellapreventie (stand LP)

1. Kiest met de knop F3 legionellastand actief JA/NEE.
2. Druk gedurende 3 seconden op de knop MENU, selecteer vervolgens "heet water" en druk op de toets F4, om de functie Legionella te bewerken.
3. Scrol met de toetsen F1 en F2 door het menu en selecteer de verschillende ondertitels na elkaar door op BEVESTIGEN te drukken. In onderstaande tabel vindt u een beschrijving van elk van de instellingen.
4. Voer het nummer van uw keuze in met de functietoetsen en druk op BEVESTIGEN.

In de stand Legionellapreventie wordt de temperatuur van het opgeslagen water verhoogt boven 60°C om te voorkomen dat de legionellabacterie groeit. U wordt ten zeerste geadviseerd dit met regelmatige tussenpozen te doen. Controleer wat de lokale voorschriften zijn voor de aanbevolen frequentie van de opwarmingen.

N.B In de LP-modus wordt met elektrische verwarmingstoestellen de energie-invoer van de warmtepomp aangevuld. Het gedurende lange tijd verwarmen van water is niet efficiënt en zal de bedrijfskosten doen toenemen. De installateur moet ruime aandacht besteden aan de noodzaak van legionellapreventie maar er mag geen energie worden verspild aan het gedurende al te lange perioden opwarmen van opgeslagen water. De eindgebruiker moet het belang van deze functie inzien.
HOUD U ALTIJD AAN DE LOKALE EN NATIONALE VOORSCHRIFTEN IN UW LAND TEN AANZIEN VAN LEGIONELLAPREVENTIE.

Opmerking: Wanneer er storingen optreden in de hydrobox, zal de LP-modus mogelijk niet normaal functioneren.

Menu-ondertitel	Functie	Bereik	Eenheid	Standaardwaarde
Temperatuur SWW	Gewenste temperatuur van het opgeslagen warme water	60–70	°C	65
Frequentie	Tijd tussen opwarmingen SWW-tank in stand LP	1–30	dag	15
Start tijd	Tijd dat stand LP wordt gestart	0:00–23:00	-	03:00
Max.laadtijd	Maximale tijd toegestaan voor opwarming SWW-tank in stand LP	1–5	uur	3
Duur van max.temperatuur	De tijdsduur waarna de gewenste watertemp. is bereikt in de modus LP	1–120	min	30

[Basisinstelling]

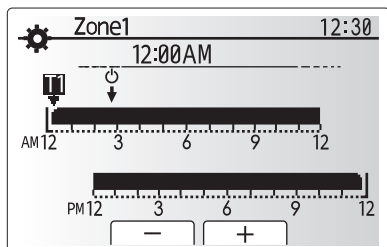
In het menu Basisinstelling kan de installateur de volgende items instellen.

- [Datum/Tijd] *Stel beslist de lokale standaardtijd in.
- [Taal]
- [Zomertijd]
- [Temp. display]
- [Contact nummer]
- [Tijd display]
- [°C/°F]
- [Instelling thermistor]

Volg de procedure beschreven bij Algemene bediening voor het instellen.

<[Instelling thermistor]>

Voor de instelling thermistor is het belangrijk dat u de juiste thermistor kiest, afhankelijk van de verwarmingsstand waarin het systeem zal werken.



Scherm schema instelling Tijd/Zone

Menu-ondertitel	Beschrijving																				
Selectie RC-zone	Wanneer 2-zone temperatuurregeling actief is en als er draadloze afstandsbedieningen beschikbaar zijn, selecteert u op het scherm Selectie RC-zone het zone-nr. dat aan elke afstandsbediening moet worden toegewezen.																				
Selectie kamer sensor	Op het scherm Selectie kamer sensor selecteert u een thermistor die moet worden gebruikt voor het monitoren van de kamertemperatuur van Zone1 en Zone2 afzonderlijk. <table border="1" style="width: 100%; margin-top: 5px;"> <thead> <tr> <th rowspan="2">Regeling optie (handleiding op de website)</th> <th colspan="2">Overeenkomstige basisinstelling thermistor</th> </tr> <tr> <th>Zone 1</th> <th>Zone 2</th> </tr> </thead> <tbody> <tr> <td>A</td> <td>RC 1-8 (een elk voor Zone1 en Zone2)</td> <td>*1</td> </tr> <tr> <td>B</td> <td>TH1</td> <td>*1</td> </tr> <tr> <td>C</td> <td>Hoofdbediening</td> <td>*1</td> </tr> <tr> <td>D</td> <td>*1</td> <td>*1</td> </tr> <tr> <td>Wanneer verschillende thermistors worden gebruikt volgens het tijdschema</td> <td>Tijd/Zone*2</td> <td>*1</td> </tr> </tbody> </table>	Regeling optie (handleiding op de website)	Overeenkomstige basisinstelling thermistor		Zone 1	Zone 2	A	RC 1-8 (een elk voor Zone1 en Zone2)	*1	B	TH1	*1	C	Hoofdbediening	*1	D	*1	*1	Wanneer verschillende thermistors worden gebruikt volgens het tijdschema	Tijd/Zone*2	*1
Regeling optie (handleiding op de website)	Overeenkomstige basisinstelling thermistor																				
	Zone 1	Zone 2																			
A	RC 1-8 (een elk voor Zone1 en Zone2)	*1																			
B	TH1	*1																			
C	Hoofdbediening	*1																			
D	*1	*1																			
Wanneer verschillende thermistors worden gebruikt volgens het tijdschema	Tijd/Zone*2	*1																			
<p>*1. Niet aangegeven (als een ter plaatse aangeschafte kamerthermostaat wordt gebruikt) RC 1-8 (een elk voor Zone1 en Zone2) (als een draadloze afstandsbediening wordt gebruikt als kamerthermostaat)</p> <p>*2. Op het scherm Selectie kamer sensor selecteert u Tijd/Zone om het gebruik van verschillende thermistors mogelijk te maken volgens het tijdschema dat is ingesteld in het menu Selecteer Tijd/Zone. De thermistors kunnen tot 4 keer worden geschakeld in 24 uur.</p>																					

5 Systeeminstallatie

Servicemenu

Het servicemenu bevat functies die de installateur of de servicetechnicus kan gebruiken. Het is NIET de bedoeling dat de bewoner van het huis instellingen in dit menu wijzigt. Daarom is beveiliging paswoord noodzakelijk om te voorkomen dat onbevoegden toegang krijgen tot de service-instellingen.

Het standaardwachtwoord af fabriek is "0000".

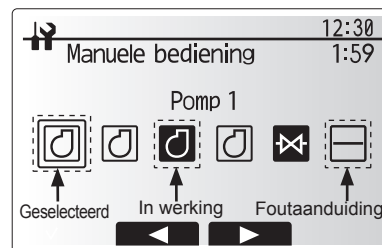
Volg de procedure beschreven bij Algemene bediening voor het instellen.

Veel functies kunnen niet worden ingesteld zolang de binnenuit is ingeschakeld. De installateur moet de unit uitschakelen voordat deze functies kunnen worden ingesteld. Als de installateur probeert de instellingen te wijzigen terwijl de unit is ingeschakeld, zal de hoofdbediening een bericht weergeven waarin de installateur hieraan wordt herinnerd en wordt gevraagd pas verder te gaan wanneer de unit is stilgezet. Wanneer "Ja" wordt geselecteerd, zal de unit worden uitgeschakeld.

<Manuele bediening>

Tijdens het vullen van het systeem kunnen de circulatiepomp van het primaire circuit en het 3-wegventiel handmatig worden gepasseerd in de modus Manuele bediening.

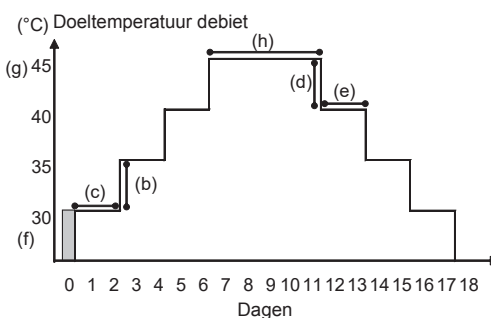
Wanneer manuele bediening is geselecteerd, verschijnt een klein tijdsklokpictogram in het scherm. Wanneer deze functie wordt geselecteerd, zal de manuele bediening maximaal 2 uur ingeschakeld blijven. Dit is om te voorkomen dat de FTC per ongeluk permanent wordt gepasseerd.



Scherm Menu Manuele bediening

► Voorbeeld

Door op de knop F3 te drukken schakelt u de modus Manuele bediening in (ON) voor het hoofd-3-wegventiel. Wanneer het vullen van de SWW-tank voltooid is, moet de installateur weer naar het menu gaan en de manuele bediening van het onderdeel deactiveren door op F3 te drukken. Anders zal na een periode van 2 uur de modus manuele bediening niet langer actief zijn en kan FTC de regeling van de hydrobox hervatten.



De instellingen Manuele bediening en Warmtebron kunnen niet worden geselecteerd als het systeem loopt. Er zal een scherm worden getoond waar in de installateur wordt gevraagd het systeem stil te zetten en pas daarna kunnen deze standen worden geactiveerd. Het systeem stopt automatisch 2 uur na de laatste bedieningshandeling.

<Vloerdrogingsfunctie>

De vloerdrogingsfunctie wijzigt automatisch de doeltemperatuur van SWW in stadia voor het geleidelijk drogen van beton wanneer dit speciale type van vloerverwarming is geïnstalleerd.

Wanneer de werking is voltooid, stopt het systeem iedere activiteit behalve de Anti-vries modus.

Voor de vloerdrogingsfunctie is de doeltemperatuur van het debiet van Zone1 gelijk aan die van Zone2.

- Deze functie is niet beschikbaar wanneer een PUHZ-FRP-buitenunit is aangesloten.
- Koppel de bedrading van externe invoer van de kamerthermostaat, opvraging controle en buitenthermostaat los omdat anders de doeltemperatuur van het debiet misschien niet zal worden gehandhaafd.

Functies	Symbol	Beschrijving	Optie/Bereik	Eenheid	Standaard
Vloerdrogingsfunctie	a	Zet de functie op ON, schakel het systeem in met de hoofdbediening om de droogverwarmingsfunctie te starten.	On/Off	—	Off
Debiettemperatuur (stijging)	b	Stelt de stap in waarmee de doeltemperatuur van het debiet stijgt.	+1 - +10	°C	+5
	c	Stelt de periode in dat dezelfde doeltemperatuur van het debiet wordt aangehouden.	1 - 7	dag	2
Debiettemperatuur (daling)	d	Stelt de stap in waarmee de doeltemperatuur van het debiet daalt.	-1 - -10	°C	-5
	e	Stelt de periode in dat dezelfde doeltemperatuur van het debiet wordt aangehouden.	1 - 7	dag	2
Doeltemperatuur	f	Start & Finish	20 - 60	°C	30
	g	Max. doeltemperatuur	20 - 60	°C	45
	h	Periode maximumtemperatuur	1 - 20	dag	5

<Beveiliging paswoord>

Beveiliging paswoord is beschikbaar ter voorkoming van toegang zonder toestemming tot het servicemenu door ongetrainde personen.

Het wachtwoord resetten

Als u het wachtwoord dat u hebt ingevoerd, niet meer weet, of als u servicewerkzaamheden moet uitvoeren aan een toestel dat iemand anders heeft geïnstalleerd, kunt u het wachtwoord resetten naar het standaardwachtwoord af fabriek 0000.

1. Scrol in het menu van de hoofdinstantellingen omlaag langs de functies tot Servicemenu wordt geselecteerd.
2. Druk op BEVESTIG.
3. U zal worden gevraagd een wachtwoord in te voeren.
4. Houd de knoppen F3 en F4 samen 3 seconden ingedrukt.
5. U wordt gevraagd of u door wilt gaan en het wachtwoord wilt resetten naar de standaardinstelling.
6. Druk op knop F3 als u wilt resetten.
7. Het wachtwoord is nu gereset op 0000.

<Manuele reset>

Als u te eniger tijd de instellingen af fabriek wilt herstellen, moet u dat doen met de functie Manuele reset. N.B. Hierdoor worden ALLE functies gereset naar de standaardinstellingen af fabriek.



Invoerscherm wachtwoord



Controlescherm wachtwoord

6 Service en Onderhoud

De binnen-hydrobox moet **eens per jaar** worden nagezien door een gekwalificeerd persoon. worden nagezien door een gekwalificeerd persoon. Service en onderhoud van de buitenunit mag alleen worden uitgevoerd door een door Mitsubishi Electric opgeleide monteur met de juiste kwalificaties en ervaring. Alle elektrische werkzaamheden moeten worden uitgevoerd door een werknemer

van een commerciële onderneming met de juiste elektrische kwalificaties. Alle onderhoud of "Doe-het-zelf"-oplossingen uitgevoerd door een niet-geaccrediteerd persoon kan de garantie ongeldig maken en/of materiële schade aan de hydrobox en persoonlijk letsel tot gevolg hebben.

Foutcodes

Code	Fout	Handeling
L3	Oververhittingsbeveiliging watertemperatuur circulatie	Debiet wordt misschien beperkt. Controleer op: <ul style="list-style-type: none"> • Waterlekkage • Verstopping van filter • Functie watercirculatiepomp (Fout code kan worden weergegeven tijdens het vullen van het primaire circuit, voltooi vulling en reset foutcode.)
L4	SWW-tank watertemperatuur oververhittingsbeveiliging	Controleer de pompelweerstand en de contactschakelaar.
L5	Thermistor temperatuur binnenunit (THW1, THW2, THW5B, THW6, THW7, THW8, THW9) storing	Controleer de weerstand over de thermistor.
L6	Anti-vriesbeveiliging water circulatie	Zie Handeling voor L3.
L8	Fout werking verwarming	Controleer of thermistors losgeraakt zijn en bevestig ze weer.
L9	Laag debiet primair circuit waargenomen door debietsensor of debietschakelaar (debietschakelaars 1, 2, 3)	Zie Handeling voor L3. Als de debietsensor of debietschakelaar zelf niet werkt, vervang deze dan. Let op: De pompafsluiters kunnen heet zijn, wees voorzichtig.
LA	Storing druksensor	Controleer de druksensorkabel op beschadigingen of losse aansluitingen.
LB	Bescherming tegen hoge druk	<ul style="list-style-type: none"> • Mogelijk wordt het debiet van het verwarmingscircuit beperkt. Controleer het watercircuit. • De platenwarmtewisselaar kan verstopt zijn. Controleer de platenwarmtewisselaar. • Storing buitenunit. Raadpleeg de servicehandleiding van de buitenunit.
LC	Oververhittingsbeveiliging watertemperatuur boilercirculatie	Controleer of de insteltemperatuur van de boiler voor verwarming de uiterste waarde overschrijdt. (Zie de handleiding van de thermistors "PAC-TH012HT-E") Mogelijk wordt het debiet van het verwarmingscircuit vanaf de boiler beperkt. Controleer op <ul style="list-style-type: none"> • waterlekkage, • verstopping van filter • functie watercirculatiepomp
LD	Boilertemperatuurthermistor (THWB1) storing	Controleer de weerstand over de thermistor.
LE	Fout in de werking van boiler	Zie Handeling voor L8. Controleer de status van de boiler.
LF	Storing debietsensor	Controleer de debietsensorkabel op beschadiging of losse aansluitingen.
LH	Anti-vriesbeveiliging watercirculatie boiler	Mogelijk wordt het debiet van het verwarmingscircuit vanaf de boiler beperkt. Controleer op <ul style="list-style-type: none"> • waterlekkage, • verstopping van filter • functie watercirculatiepomp
LJ	Fout SWW-werking (type externe plaat HEX)	<ul style="list-style-type: none"> • Controleer of de thermistor voor de min. watertemp. van de SWW-tank is losgeraakt (THW5B). • Mogelijk wordt het debiet van het sanitair circuit beperkt. • Controleer de watercirculatiepomp op functioneren. (primair/sanitair)
LL	Fouten instelling van Dip-schakelaars op het FTC-controlepaneel	Controleer voor de werking van de boiler dat Dip SW1-1 is ingesteld op AAN (ON) (Met Boiler) en Dip SW2-6 is ingesteld op AAN (ON) (Met Mengtank). Controleer dat voor 2-zone temperatuurregeling Dip SW2-7 is ingesteld op AAN (ON) (2-zone) en Dip SW2-6 is ingesteld op AAN (ON) (Met Mengtank).
LP	Buiten het waterdebietbereik voor de buiten-warmtepompunit	Controleer installatietabel 4.3.1 Controleer de instellingen van de afstandsbediening (servicemenu/bereik debietmeter warmtepomp) Zie Handeling voor L3.
P1	Thermistor (Kamertemp.) (TH1) storing	Controleer de weerstand over de thermistor.
P2	Thermistor (Ref. vloeistoftemp.) (TH2) storing	Controleer de weerstand over de thermistor.
P6	Anti-vriesbeveiliging van platenwarmtewisselaar	Zie Handeling voor L3. Controleer op juiste hoeveelheid koelmiddel.
J0	Communicatiestoring tussen FTC en draadloze ontvanger	Controleer verbindingkabel op beschadiging of losse aansluitingen.
J1 - J8	Communicatiestoring tussen draadloze ontvanger en draadloze afstandsbediening	Controleer dat de batterij van de draadloze afstandsbediening niet is uitgeput. Controleer de koppeling tussen de draadloze ontvanger en de draadloze afstandsbediening. Test de draadloze communicatie. (Zie de handleiding van het draadloze systeem)
E0 - E5	Communicatiestoring tussen Hoofdbediening en FTC	Controleer verbindingkabel op beschadiging of losse aansluitingen.
E6 - E9	Communicatiestoring tussen FTC en buitenunit	Controleer dat de buitenunit niet is uitgeschakeld. Controleer verbindingkabel op beschadiging of losse aansluitingen. Raadpleeg de servicehandleiding van de buitenunit.
E9	Buitenunit ontvangt geen signaal van de binnenunit.	Controleer dat beide units zijn ingeschakeld. Controleer verbindingkabel op beschadiging of losse aansluitingen. Raadpleeg de servicehandleiding van de buitenunit.
EE	Combinatiefout tussen FTC en buitenunit	Controleer de combinatie van FTC en buitenunit.
U*, F*	Storing buitenunit	Raadpleeg de servicehandleiding van de buitenunit.
A*	M-NET communicatiefout	Raadpleeg de servicehandleiding van de buitenunit.

Opmerking: U kunt foutcodes annuleren door het systeem uit te schakelen (druk op de hoofdbediening op de knop F4(RESET)).

6 Service en Onderhoud

■ Jaarlijks onderhoud

Het is van essentieel belang dat de hydrobox tenminste eenmaal per jaar wordt nagezien door een gekwalificeerd persoon. Eventuele benodigde onderdelen MOETEN worden aangeschaft bij Mitsubishi Electric (omwille van de veiligheid).

Sluit **NOOIT** veiligheidssystemen kort en laat de unit nooit werken zonder dat deze systemen volledig bedrijfsklaar zijn.

Opmerkingen

- In de eerste paar maanden na de installatie moet u de filter van de hydrobox verwijderen en schoonmaken plus alle extra filters die buiten de hydrobox zijn gemonteerd. Dit is vooral belangrijk wanneer u de installatie uitvoert op een oud/bestaand leidingsysteem.
- Het ODV-ventiel (nr. 11 in Afbeelding 3.3 en 3.4) moeten jaarlijks worden gecontroleerd door de knop handmatig te draaien, zodat het middel wordt afgevoerd en de afdichting wordt gereinigd.

Naast de jaarlijkse servicewerkzaamheden is het nodig enkele onderdelen te vervangen of te inspecteren wanneer het systeem een bepaalde periode in bedrijf is geweest. In onderstaande tabellen vindt u gedetailleerde instructies. Vervanging en inspectie van onderdelen moet altijd worden uitgevoerd door een bekwam persoon met relevante opleiding en kwalificaties.

Onderdelen die regelmatig moeten worden vervangen

Onderdelen	Vervangen iedere	Mogelijke storingen
Overdrukventiel (3 bar) Ontluchter (Autom./Handmatig) Manometer	6 jaar	Waterlekage

Onderdelen die regelmatig moeten worden geïnspecteerd

Onderdelen	Controleer iedere	Mogelijke storingen
Overdrukventiel (3 bar) Temperatuur- en overdrukventiel	1 jaar (de knop handmatig draaien)	ODV zou vast kunnen zitten, waardoor het expansievat zou barsten
Verwarmingselement	2 jaar	Lekkage naar aarde waardoor de verliesstroomschakelaar wordt geactiveerd (Verwarming is altijd OFF)
Watercirculatiepomp (Primair circuit)	20.000 uur (3 jaar)	Storing watercirculatiepomp

Wanneer servicewerkzaamheden worden uitgevoerd mogen onderdelen NIET opnieuw worden gebruikt.

* O-ring

* Pakking

Opmerking:

- Vervang altijd bij iedere vaste onderhoudsbeurt de pakking van de pomp door een nieuwe (iedere 20.000 bedrijfsuren of iedere 3 jaar).
- U hoeft het overdrukventiel (5 bar) niet te inspecteren omdat deze niet in contact komt met water, tenzij het ODV van 3 bar defect raakt.

■ Formulieren voor technici

Mochten instellingen worden gewijzigd van de standaardwaarde, voer dan de nieuwe instelling in de kolom 'Ter plaatse uitgevoerde instelling' in. Hierdoor zal het resetten van het systeem in de toekomst gemakkelijker verlopen, mocht het gebruik van het systeem worden gewijzigd of de printplaat moeten worden vervangen.

Inbedrijfstelling/Blad voor het optekenen van ter plaatse uitgevoerde instellingen

Scherm hoofdbediening		Parameters	Standaardinstelling	Instelling ter plaatse	Opmerkingen	
Hoofd	Zone1 ruimtetemp. verwarmen	10°C - 30°C	20°C			
	Zone2 ruimtetemp. verwarmen *14	10°C - 30°C	20°C			
	Zone1 voorlooptemp. verwarmen	20°C - 60°C	45°C			
	Zone2 voorlooptemp. verwarmen *1	20°C - 60°C	35°C			
	Zone1 voorlooptemp. koelen *12	5°C - 25°C	15°C			
	Zone2 voorlooptemp. koelen *12	5°C - 25°C	20°C			
	Zone1 verw. compensatiecurve	-9°C - +9°C	0°C			
	Zone2 verw. compensatiecurve *1	-9°C - +9°C	0°C			
Optie	Vakantieregeling	Actief/Niet-actief/Ingestelde tijd	—			
	Geforceerde SWW-werking	On/Off	—			
	SWW	On/Off/Timer	On			
	Verwarmen/Koelen	On/Off/Timer	On			
Instelling	SWW *13	Energie-monitor	Gebruik van elektriciteit/Geproduceerde energie	—		
		Bedrijfsmodus	Normaal/Eco *16	Normaal		
		Max. temp. SWW	40°C - 60°C *2	50°C		
		SWW temp. daling	5°C - 30°C	10°C		
		Max. werkingstijd SWW	30 - 120 min	60 min		
		SWW modus beperking	30 - 120 min	30 min		
		SWW opladen	Groot/Norm	Groot *19		
	Legionella-preventie *13	Actief	Ja/Nee	Ja		
		Temperatuur SWW	60°C - 70°C *2	65°C		
		Frequentie	1 - 30 dagen	15 dagen		
		Starttijd	00.00 - 23.00	03.00		
		Max. werkingstijd	1 - 5 uur	3 uur		
		Duur van max. temp.	1 - 120 min	30 min		
	Verwarmen/Koelen *12	Zone1 bedrijfsmodus	Ruimtetemp verwarmen/ Voorlooptemp verwarmen/ Compensatiecurve verw./ Voorlooptemp koelen	Kamertemp.		
		Zone2 bedrijfsmodus *1	Ruimtetemp verwarmen/ Voorlooptemp verwarmen/ Compensatiecurve verw./ Voorlooptemp koelen	Compensatiecurve		
	Compensatiecurve	Hoog instelpunt voorlooptemp.	Zone1 omgevingstemperatuur buiten	-30°C - +33°C *3	-15°C	
			Zone1 voorlooptemp.	20°C - 60°C	50°C	
			Zone2 omgevingstemperatuur buiten *1	-30°C - +33°C *3	-15°C	
			Zone2 voorlooptemp. *1	20°C - 60°C	40°C	
		Laag instelpunt voorlooptemp.	Zone1 omgevingstemperatuur buiten	-28°C - +35°C *4	35°C	
Zone1 voorlooptemp.			20°C - 60°C	25°C		
Zone2 omgevingstemperatuur buiten *1			-28°C - +35°C *4	35°C		
Zone2 voorlooptemp. *1			20°C - 60°C	25°C		
Aanpassen		Zone1 omgevingstemperatuur buiten	-29°C - +34°C *5	—		
		Zone1 voorlooptemp.	20°C - 60°C	—		
		Zone2 omgevingstemperatuur buiten *1	-29°C - +34°C *5	—		
		Zone2 voorlooptemp. *1	20°C - 60°C	—		
Vakantie	SWW *13	Actief/Niet-actief	Niet-actief			
	Verwarmen/Koelen *12	Actief/Niet-actief	Actief			
	Zone1 ruimtetemp. verwarmen	10°C - 30°C	15°C			
	Zone2 ruimtetemp. verwarmen *14	10°C - 30°C	15°C			
	Zone1 voorlooptemp. verwarmen	20°C - 60°C	35°C			
	Zone2 voorlooptemp. verwarmen *1	20°C - 60°C	25°C			
	Zone1 voorlooptemp. koelen *12	5°C - 25°C	25°C			
	Zone2 voorlooptemp. koelen *12	5°C - 25°C	25°C			

(Wordt vervolgd op de volgende pagina.)

Formulieren voor technici

Inbedrijfstelling/Blad voor het optekenen van ter plaatse uitgevoerde instellingen

Scherm hoofdbediening			Parameters		Standaardinstelling	Instelling ter plaatse	Opmerkingen		
Instelling	Basisinstelling	Taal	EN/FR/DE/SV/ES/IT/DA/NL/FI/NO/PT/BG/PL/CZ/RU/TR/SL		EN				
		°C/°F	°C/°F		°C				
		Zomertijd	On/Off		Off				
		Temp. display	Kamer/SWW-tank/Kamer&SWW-tank /Off		Off				
		Tijd display	uu:mm/uu:mm VM/VM uu:mm		uu:mm				
		Instelling thermistor voor Zone1	TH1/Hoofdbed./RC 1-8/ 'Tijd/Zone'		TH1				
		Instelling thermistor voor Zone2 *1	TH1/Hoofdbed./RC 1-8/ 'Tijd/Zone'		TH1				
		Selectie RC-zone *1	Zone1/Zone2		Zone1				
	Servicemenu	Aanpassen thermistor	THW1	-10°C - +10°C	0°C				
			THW2	-10°C - +10°C	0°C				
			THW5B	-10°C - +10°C	0°C				
			THW6	-10°C - +10°C	0°C				
			THW7	-10°C - +10°C	0°C				
			THW8	-10°C - +10°C	0°C				
			THW9	-10°C - +10°C	0°C				
			THW10	-10°C - +10°C	0°C				
			THWB1	-10°C - +10°C	0°C				
			Extra instellingen	ECO instelling voor pomp.	On/Off *6		On		
		Elektrische verwarming (Verw.)		Vertraging (3 - 60 min)		10 min			
				Ruimteverwarming: On (gebruikt)/Off (niet gebruikt)		On			
		Elektrische verwarming (SWW) *13		Elektrische verwarming vertragingstimer (5 - 180 min)		30 min			
				Boosterverwarm.	SWW: On (gebruikt)/Off (niet gebruikt)		On		
		Regeling mengklep		Verwarmingselement	SWW: On (gebruikt)/Off (niet gebruikt)		On		
				Elektrische verwarming vertragingstimer (15 - 30 min)		15 min			
		Debietsensor *18		Looptijd (10 - 240 sec)		120 sec			
			Interval (1 - 30 min)		2 min				
		Analoge uitgang	Minimum (0 - 100 L/min)		5 L/min				
	Maximum (0 - 100 L/min)		100 L/min						
	Interval (1 - 30 min)		5 min						
	Pompsnelheid	SWW	Pompsnelheid (1 - 5)		5				
		Verwarmen/Koelen	Pompsnelheid (1 - 5)		5				
	Instelling warmtebron		Norm/Verwarming/Boiler/Hybride *7		Norm				
	Instellingen warmtepomp	Bereik debietmeter warmtepomp	Minimum (0 - 100 L/min)		5 L/min				
			Maximum (0 - 100 L/min)		100 L/min				
		Stille modus	Dag (ma - zo)		—				
			Tijd		0:00 - 23:45				
			Stilteniveau (Normaal/ Niveau 1/ Niveau 2)		Normaal				
Bedieningsinstellingen	Verwarmingsbedrijf *8	Bereik Voorlooptemp. *10	Min.temp. (20 - 45°C)		30°C				
			Max.temp. (35 - 60°C)		50°C				
		Temp.regeling interval *15	Modus (Normaal/Krachtig)		Normaal				
		Aanpass. versch. W/P thermo	Interval (10 - 60 min)		10min				
	On/Off *6		On						
	Ondergrens (-9 - -1°C)		-5°C						
		Bovengrens (+3 - +5°C)		5°C					
	Anti-vries modus *11	Omgevingstemperatuur buiten (3 - 20°C) / **		5°C					
	Simultaan-werking (SWW/Verw.)	On/Off *6		Off					
		Omgevingstemperatuur buiten (-30 - +10°C) *3		-15°C					
	Koud weer functie	On/Off *6		Off					
		Omgevingstemperatuur buiten (-30 - -10°C) *3		-15°C					
	Werking Boiler	Instelling hybride	Omgevingstemperatuur buiten (-30 - +10°C) *3		-15°C				
			Modus Prioriteit (Omgeving/Kosten/CO ₂) *17		Omgeving				
			Stijging omgevingstemperatuur buiten (+1 - +5°C)		+3°C				
		Intelligente instellingen	Energieprijs *9	Elektriciteit (0,001 - 999 */kWh)	0,5 */kWh				
				Boiler (0,001 - 999 */kWh)	0,5 */kWh				
		CO ₂ -uitstoot	Elektriciteit (0,001 - 999 kg -CO ₂ /kWh)	0,5 kg -CO ₂ /kWh					
				Boiler (0,001 - 999 kg -CO ₂ /kWh)		0,5 kg -CO ₂ /kWh			
Warmtebron	Capaciteit warmtepomp (1 - 40 kW)		11,2 kW						
	Efficiëntie boiler (25 - 150%)		80%						
	Capaciteit boosterverwarm.1 (0 - 30 kW)		2 kW						
	Capaciteit boosterverwarm.2 (0 - 30 kW)		4 kW						

(Wordt vervolgd op de volgende pagina.)

Formulieren voor technici

Inbedrijfstelling/Blad voor het optekenen van ter plaatse uitgevoerde instellingen (vervolg van vorige pagina)

Scherm hoofdbediening				Parameters		Standaardinstelling	Instelling ter plaatse	Opmerkingen
Servicemenu	Bedieningsinstellingen	Smart grid ready	SWW	On/Off		Off		
				Doeltemperatuur (+1- +20°C) / -- (Niet actief)		--		
			Verw.	On/Off		Off		
				Doeltemperatuur	Aanbevolen inschakeling(20 - 60°C)	50°C		
			Opdracht inschakeling(20 - 60°C)		55°C			
			Koelen	On/Off		Off		
				Doeltemperatuur	Aanbevolen inschakeling(5 - 25°C)	15°C		
					Opdracht inschakeling(5 - 25°C)	10°C		
			Pompcycli	Verw. (On/Off)		On		
				Koelen (On/Off)		On		
				Interval (10 - 120 min)		10 min		
			Vloerdrogingsfunctie	On/Off *6		Off		
				Doeltemperatuur	Start&Finish (20 - 60°C)	30°C		
					Maximumtemperatuur (20 - 60°C)	45°C		
					Periode maximumtemperatuur (1 - 20 dagen)	5 dagen		
	Stroomtemperatuur (stijging)	Stap temperatuurstijging (+1 - +10°C)		+5°C				
		Stijgingsinterval (1 - 7 dagen)		2 dagen				
	Stroomtemperatuur (Daling)	Stap temperatuurdaling (-1 - -10°C)		-5°C				
		Dalingsinterval (1 - 7 dagen)		2 dagen				
	Zomermodus	On/Off		Off				
		Omgevingstemperatuur buiten		Verw. ON (4-19°C)	10°C			
			Verw. OFF (5-20°C)	15°C				
		Beoordelingstijd	Verw. ON (1 - 48 uur)	6 uur				
			Verw. OFF (1 - 48 uur)	6 uur				
	Verwarming geforceerd ON (-30 - 10°C)		5°C					
	Controle waterdebiet		On/Off	Off				
	Instellingen energiemonitor	Capaciteit elektr. verwarm.	Capaciteit booster-verwarm.1	0 - 30 kW	2kW			
			Capaciteit booster-verwarm.2	0 - 30 kW	4kW			
			Capaciteit Verwarmingselement	0 - 30 kW	0kW			
			Analoge uitgang	0 - 30 kW	0kW			
		Aanpassing geproduc. energie		-50 - +50%	0%			
		Invoer waterpomp	Pomp 1	0 - 200 W of ***(in de fabriek gemonteerde pomp)	***			
Pomp 2			0 - 200 W	0W				
Pomp 3			0 - 200 W	0W				
Pomp 4 *19			0 - 200 W	72W				
Meter elektrische energie		0,1/1/10/100/1000 puls/kWh	1 puls/kWh					
Warmtemeter		0,1/1/10/100/1000 puls/kWh	1 puls/kWh					
Instelling externe invoer	Opvraging controle (IN4)	Warmtebron OFF/Werking boiler		Werking boiler				
	Buitenthermostaat (IN5)	Werking van verwarming/Werking boiler		Werking boiler				
Thermo ON uitgang		Zone1/Zone2/Zone1&2		Zone1 en 2				

*1 De instellingen die verband houden met Zone2 kunnen alleen worden overgeschakeld wanneer temperatuurregeling voor 2 zones is ingeschakeld (wanneer DIP SW2-6 en SW2-7 ON zijn).

*2 Voor het model zonder boosterverwarming én verwarmingselement wordt mogelijk de ingestelde temperatuur niet bereikt, afhankelijk van de buitentemperatuur.

*3 De ondergrens is -15°C, afhankelijk van de aangesloten buitenunit.

*4 De ondergrens is -13°C, afhankelijk van de aangesloten buitenunit.

*5 De ondergrens is -14°C, afhankelijk van de aangesloten buitenunit.

*6 On: de functie is actief; Off: de functie is niet actief.

*7 Wanneer DIP SW1-1 is ingesteld op OFF 'ZONDER Boiler' of SW2-6 is ingesteld op OFF 'ZONDER mengtank', kunnen Boiler noch Hybride worden geselecteerd.

*8 Alleen geldig in de modus Kamertemp. regeling.

9 '' van '*/kWh' geeft valuta weer (bijv. € of £, of een andere valuta)

*10 Alleen geldig bij verwarming op Kamertemperatuur.

*11 Als u asterisk (**) kiest, wordt de Anti-vries modus gedeactiveerd. (d.w.z., er bestaat een risico dat het water in het primaire circuit bevriest)

12 De instellingen voor koelen zijn alleen beschikbaar voor het ERS-model.

*13 Alleen beschikbaar als de SWW-tank in het systeem aanwezig is.

*14 De instellingen die verband houden met Zone2 kunnen alleen worden overgeschakeld wanneer temperatuurregeling met 2 zones of de 2-zone-kraan ON/OFF-regeling is ingeschakeld.

*15 Wanneer DIP SW5-2 op OFF is gesteld, is de functie actief.

*16 Wanneer de hydrobox is verbonden met een PUMY-P buitenunit, is de functie vastgesteld op 'Normaal'.

*17 Wanneer de hydrobox is verbonden met een PUMY-P buitenunit, is de functie vastgesteld op 'Omgeving'.

*18 Wijzig de instelling niet omdat die is opgegeven volgens de specificatie van de debietsensor die is gekoppeld aan de hydrobox.

*19 Deze instelling is alleen geldig voor cilinderunits.

1. Меры безопасности	2
2. Введение	3
3. Техническая информация	4
4. Установка	11
4.1 Размещение	11
4.2 Качество воды и подготовка системы	13
4.3 Монтаж водопроводных труб	14
4.4 Электрические соединения	16
5. Настройка системы	18
5.1 Функции DIP-переключателей	18
5.2 Подключение входов/выходов	19
5.3 Электрические соединения для двухзонного отопления	20
5.4 Работа только гидромодуля (при установке)	21
5.5 Использование SD-карты памяти	21
5.6 Главный контроллер	22
6. Сервис и техническое обслуживание	29



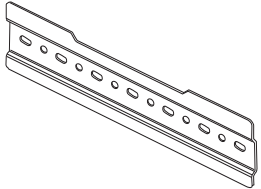
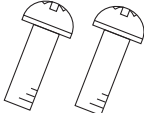
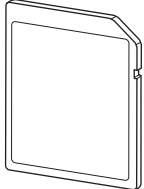
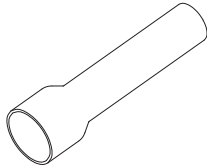
<http://www.mitsubishielectric.com/ldg/ibim/>

Когда система выключена или питание отключено, функции защиты внутреннего блока (например, защита от замерзания) не будут работать.

Учтите, что без включения этих защитных функций внутренний модуль может быть поврежден.

Содержание руководства, предлагаемого на сайте

- Контроль энергопотребления
- Комнатный термостат
- Заправка системы
- Простая 2-зонная система
- Автономный источник электропитания
- Умные сети электроснабжения
- Бак ГВС для гидроблока
- Опции беспроводного пульта управления
- Меню обслуживания (специальная настройка)
- Дополнительная информация

Аксессуары (включены в поставку)			
Крепежная пластина	Шурупы M5×8	SD-карта памяти	Соединительная труба *
			
1	2	1	1

* Только серия E*SE

Термины и аббревиатуры

No.	Сокращения/Термины	Описание
1	Погодозависимое управление	Управление отоплением помещений в зависимости от температуры наружного воздуха
2	COP	Коэффициент энергоэффективности теплового насоса
3	Режим охлаждения	Охлаждение помещений с помощью фэнкойлов или системы охлаждения полов
4	Режим ГВС	Режим нагрева горячей воды для бытовых нужд (для душевой кабины, раковины и т.д.)
5	Температура потока	Температура воды, поступающей в первичный контур
6	Защита от замерзания	Режим управления отоплением для защиты от замерзания воды в трубопроводе
7	FTC	Контроллер температуры потока, плата управления системой
8	Режим отопления	Отопление помещений с помощью радиаторов или системы обогрева полов
9	Гидромодуль без накопительного бака ГВС	Внутренний блок с компонентами водопровода (без бака ГВС)
10	Легионелла	Легионелла - бактерия, вызывает легионеллёз. Возможно её попадание в водопровод, душ, накопительный бак
11	LP режим	Режим обеззараживания (профилактика легионеллы) - функция в системах с баками воды, предназначенная для обеззараживания
12	Моноблочная модель	Пластинчатый теплообменник (хладагент - вода) расположен в наружном блоке теплового насоса
13	PRV	Клапан выравнивания давления (предохранительный клапан)
14	Температура обратной воды	Температура воды на выходе из первичного контура
15	Модель типа сплит	Пластинчатый теплообменник (хладагент - вода) «фреон - вода» расположен в гидромодуле
16	TRV	Термостатический клапан радиатора - клапан на входе или выходе радиатора, управляющий тепловой мощностью

1 Меры безопасности

Внимательно прочитайте следующие меры безопасности.





⚠ ВНИМАНИЕ:
Меры предосторожности, которые необходимо соблюдать для предотвращения получения травм или смерти.

⚠ ОСТОРОЖНО:
Меры предосторожности, которые необходимо соблюдать для предотвращения повреждения устройства.

Настоящее руководство по установке вместе с инструкцией по эксплуатации должны быть переданы пользователю для использования в будущем. Mitsubishi Electric не несет ответственность за неисправность частей, приобретаемых отдельно.

- Обязательно выполняйте периодическое техническое обслуживание.
- Обязательно следуйте местным нормам и правилам.
- Обязательно следуйте инструкциям данного руководства.

ЗНАЧЕНИЕ СИМВОЛОВ, ОТОБРАЖАЕМЫХ НА БЛОКЕ

	ВНИМАНИЕ (Опасность возгорания)	Эта метка только для хладагента R32. Тип хладагента указан на паспортной табличке наружного блока. Если тип хладагента R32, то в данном блоке используется горючий хладагент. В случае утечки хладагента и его соприкосновения с пламенем или нагретыми частями образуется вредный газ и возникает риск возгорания.
	Перед началом работы внимательно ознакомьтесь с РУКОВОДСТВОМ ПО ЭКСПЛУАТАЦИИ.	
	Перед началом работы обслуживающий персонал должен внимательно ознакомиться с РУКОВОДСТВОМ ПО ЭКСПЛУАТАЦИИ и с РУКОВОДСТВОМ ПО УСТАНОВКЕ.	
	Дополнительная информация содержится в РУКОВОДСТВЕ ПО ЭКСПЛУАТАЦИИ, РУКОВОДСТВЕ ПО УСТАНОВКЕ и в аналогичных руководствах.	

⚠ ⚠ ВНИМАНИЕ

Механика

- Гидромодуль и наружный блок не должны устанавливаться, демонтироваться, перемещаться, модифицироваться или ремонтироваться пользователем. Обратитесь к авторизованным специалистам. При неправильном монтаже блока или внесении изменений в конструкцию после установки возможны утечка воды, поражение электрическим током или возгорание.
- Наружный блок должен быть надежно закреплен на твердой ровной поверхности, способной выдержать его вес.
- Гидромодуль должен быть установлен на твердой ровной поверхности, способной выдержать его вес в заполненном состоянии для предотвращения шума и вибраций.
- Не размещайте мебель или электроприборы под наружным блоком или гидромодулем.
- Сливные трубопроводы от защитных устройств гидромодуля должны быть проведены согласно местным нормам и правилам.
- Используйте только одобренные Mitsubishi Electric аксессуары и запасные части, по вопросам обращайтесь к квалифицированным специалистам.

Электрика

- Все электротехнические работы должны выполняться квалифицированными электриками в соответствии с местными правилами и инструкциями настоящего руководства.
- Устройство должно быть запитано от выделенного источника электропитания. Необходимо использовать номинальное напряжение и автоматический выключатель.
- Проводка должна быть выполнена в соответствии с местными нормами и правилами. Соединения должны быть выполнены надежно и без натяжения на клеммах.
- Заземлите устройство в соответствии с действующими нормами и правилами.

Общее

- Не допускайте детей и домашних питомцев к гидромодулю и наружному блоку.
- Не используйте горячую воду от теплового насоса для питья и приготовления пищи. Это может привести к заболеванию.
- Не вставляйте на гидромодуль.
- Не дотрагивайтесь до переключателей мокрыми руками.
- Ежегодные технические осмотры гидромодуля и наружного блока должны выполняться квалифицированным персоналом.
- Не ставьте емкости с жидкостью на гидромодуль. Утечка или разлив жидкости может привести к повреждению устройства и/или возгоранию.
- Не кладите тяжелые предметы на гидромодуль.
- При установке, перемещении или обслуживании гидроблока используйте для заправки системы только хладагент, предназначенный для этого теплового насоса. Не смешивайте его с любым другим хладагентом и не допускайте попадания воздуха в систему. Смешивание воздуха с хладагентом может быть причиной аномально высокого давления в контуре хладагента и может привести к взрыву и другим авариям. Использование любых других хладагентов, приведет к механическим неисправностям или к сбоям в работе системы. В худшем случае это может препятствовать обеспечению безопасности.
- В режиме отопления для предотвращения повреждения отопительных приборов излишне горячей водой, установите целевую температуру потока не менее чем на 2°C ниже максимально допустимой температуры всех отопительных приборов. Для Зоны 2 установите целевую температуру не менее чем на 5°C ниже максимально допустимой температуры потока всех отопительных приборов контура Зоны 2.
- Не устанавливайте прибор в местах возможного образования, скопления, циркуляции или утечки горючих газов. Скопление горючих газов вокруг прибора может стать причиной возгорания или взрыва.
- Для ускорения процесса размораживания или в целях очистки используйте только те средства, которые рекомендованы производителем.
- Прибор хранят в помещении, где нет постоянно действующих источников, способных привести к воспламенению (например: открытого пламени, работающих газовых приборов или электрических обогревателей).
- Запрещается проделывать отверстия или подвергать воздействию огня.
- Напоминаем, что хладагент может не иметь запаха.
- Трубную систему защищают от физических повреждений.
- При монтаже труб следует ограничиться их минимумом.
- Обязательно соблюдение федеральных правил для газового оборудования.
- Следите, чтобы все необходимые вентиляционные отверстия ничем не загораживались.
- Не используйте легкоплавкий припой для твердой пайки трубопроводов хладагента.

1 Меры безопасности

⚠ ПРЕДУПРЕЖДЕНИЕ

Используйте для первичного контура чистую воду, соответствующую местным стандартам качества.
Наружный блок должен быть установлен в месте с достаточным обдувом ветра, согласно схемам, приведенным в руководстве по установке наружного блока.
Гидро модуль должен быть расположен внутри помещения для минимизации тепловых потерь.
Длина трубопроводов воды первичного контура между наружным и внутренним блоками должна быть сведена к минимуму для уменьшения тепловых потерь.
Обеспечьте отвод конденсата от основания наружного блока для предотвращения образования луж.
Удалите воздух из водяного контура.
Утечка хладагента может вызвать удушье. Обеспечьте вентиляцию в соответствии с EN378-1.
Обязательно изолируйте трубопроводы. Прямой контакт с неизолированными трубопроводами может привести к ожогу или обморожению.
Ни при каких обстоятельствах не берите батарейки в рот, чтобы избежать случайного проглатывания.
Проглатывание батарейки может вызвать удушье и/или отравление.
Если электропитание гидро модуля (или всей системы) отключается на длительное время, воду необходимо слить.
Для предупреждения гидравлического удара должны быть приняты профилактические меры, такие, как установка амортизатора гидроудара на первичном контуре.
В целях предотвращения образования конденсата на радиаторах отрегулируйте температуру потока а также установите нижний предел температуры потока на месте.

Информацию по обращению с хладагентом смотрите в руководстве по установке наружного блока.

2 Введение

Цель настоящего руководства по установке - инструктирование компетентных лиц по безопасной и эффективной установке и вводу в эксплуатацию гидро модуля. Целевая аудитория данного руководства - компетентные сантехники и/или инженеры холодильной техники, которые ранее принимали

участие и прошли необходимое обучение по оборудованию Mitsubishi Electric и имеют соответствующую квалификацию для установки системы закрытого типа с гидро модулем.

Технические характеристики

Наименование модели	EHSD-MED	EHSD-VM2D	EHSD-VM6D	EHSD-VM9D	EHSD-VM9ED	EHSD-TM9D	ERSD-MED	ERSD-VM2D	ERSD-VM6D	ERSD-VM9D	EHSC-MED	EHSC-VM2D	EHSC-VM6D	EHSC-VM9D	EHSC-VM9ED	EHSC-TM9D	ERSC-MED	ERSC-VM2D	ERSC-VM9ED	ERSC-VM9D	
	800 x 530 x 360 мм																				
Габаритные размеры блока (высота x ширина x глубина)	800 x 530 x 360 мм																				
Вес (пустой)	36 кг	43 кг	44 кг	44 кг	40 кг	44 кг	38 кг	44 кг	40 кг	47 кг	48 кг	48 кг	48 кг	43 кг	48 кг	41 кг	48 кг	950 x 600 x 360 мм	64 кг	62 кг	
Вес (заполненный)	38 кг	48 кг	49 кг	49 кг	45 кг	49 кг	39 кг	50 кг	42 кг	53 кг	54 кг	54 кг	54 кг	50 кг	54 кг	44 кг	54 кг	74 кг	74 кг	72 кг	
Объем воды в контуре отопления внутри блока *1	1,7 кг	5,2 кг	5,2 кг	5,2 кг	5,2 кг	5,2 кг	1,7 кг	5,2 кг	2,6 кг	6,1 кг	6,1 кг	6,1 кг	6,1 кг	6,1 кг	6,1 кг	2,6 кг	6,1 кг	10,0 кг	10,0 кг	10,0 кг	
Расширительный бак закрытого типа (первичный контур)	—	—	10 л	—	—	10 л	—	10 л	—	—	10 л	—	10 л	—	10 л	—	10 л	—	—	—	
Давление подпитки	—	1 бар	1 бар	—	—	1 бар	—	1 бар	—	—	1 бар	—	1 бар	—	1 бар	—	1 бар	—	—	—	
Защитные устройства	1 - 80°C																				
	0,3 МПа (3 бар)																				
Соединения	Мин. поток 5,0 л/мин (Диапазон расхода воды см. в Таблице 4.3.1)																				
	G1-A																				
Диапазон целевой температуры	Жидкость																				
	Газ																				
Гарантированный рабочий диапазон температуры	6,35 мм																				
	12,7 мм																				
	15,88 мм																				
Электрические параметры	20 - 60°C																				
	10 - 30°C																				
	5 - 25°C																				
Окружающие условия *2	—																				
	0 - 35°C (≤ 80% отн. вл.)																				
Наружная температура	—																				
	См. спецификацию наружного блока.																				
Плата управления (с 4 насосами)	—																				
	*3																				
Электронитание (фаза, напряжение, частота)	—																				
	~N, 230 В, 50 Гц																				
Автоматический выключатель (питание от независимого источника)	10 А																				
	—																				
Электронитание (фаза, напряжение, частота)	—																				
	~N, 230 В, 50 Гц																				
Мощность	—																				
	3~ 230 В, 50 Гц																				
Ток	—																				
	3~ 230 В, 50 Гц																				
Автоматический выключатель	—																				
	16 А																				
Уровень звуковой мощности	41 дБ(А)																				
	40 дБ(А)																				

<Таблица 3.1>

*1 Данное значение не учитывает трубопроводы, ведущие к расширительному баку.

*2 Окружающие условия не допускают обмерзания.

*3 См. спецификацию наружного блока. (мин. 10 °C)

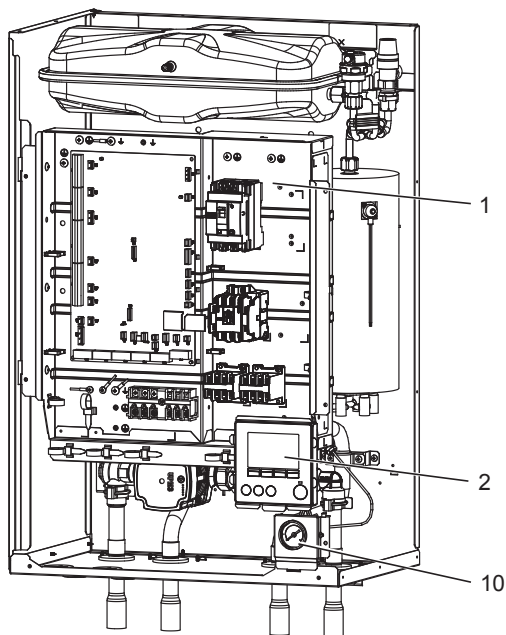
При низкой наружной температуре режим охлаждения недоступен.

Если система используется в режиме охлаждения при пониженной температуре снаружи (10 °C или ниже), существует опасность повреждения пластинчатого теплообменника в результате замерзания воды.

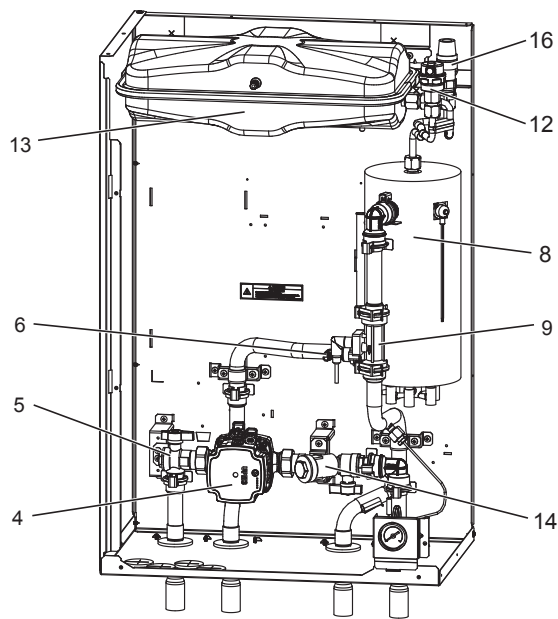
3 Техническая информация

■ Компоненты

<EHPX-*M*D> (Моноблочные модели)

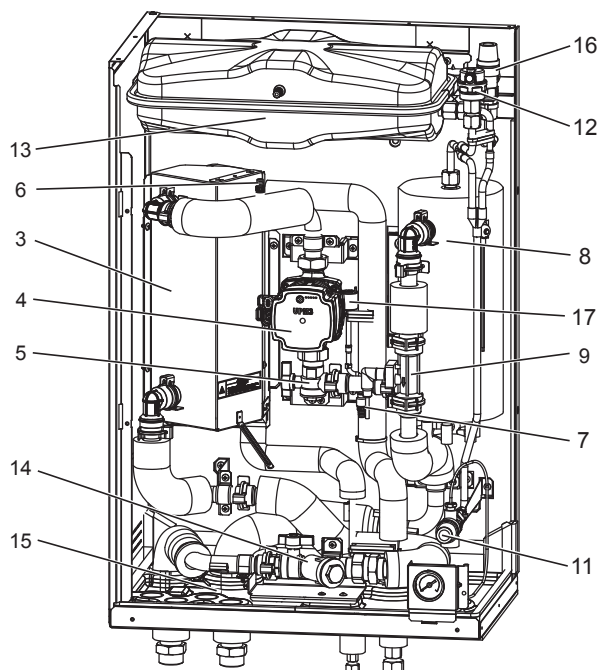


<Рисунок 3.1>



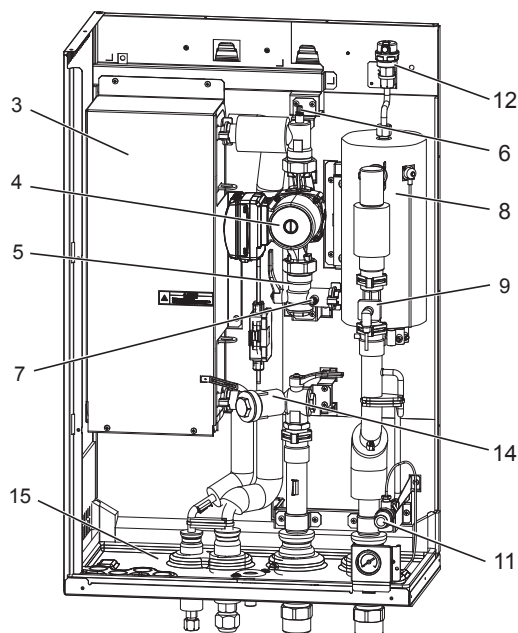
<Рисунок 3.2>

<E*S*-*M**D> (Модели типа сплит)



<Рисунок 3.3>

<E*SE-*M*ED>



<Рисунок 3.4>

No.	Наименование	EHPX-*M*(E)D	EHS*-MED	EHS*-*M*D	EHS*-YM9ED	ERS*-*M*(E)D	ERS*-MED
1	Блок управления	✓	✓	✓	✓	✓	✓
2	Главный контроллер	✓	✓	✓	✓	✓	✓
3	Пластинчатый теплообменник «хладагент - вода»	-	✓	✓	✓	✓	✓
4	Циркуляционный водяной насос 1	✓	✓	✓	✓	✓	✓
5	Клапан насоса	✓	✓	✓	✓	✓	✓
6	Воздухоотводчик (ручной)	-	✓	✓	✓	✓	✓
7	Сливной кран (первичный контур)	✓	✓	✓	✓	✓	✓
8	Проточный нагреватель 1,2	✓	-	✓	✓	✓	-
9	Датчик протока	✓	✓	✓	✓	✓	✓
10	Манометр	✓	✓	✓	✓	✓	✓
11	Предохранительный клапан (3 бар)	-	✓	✓	✓	✓	✓
12	Автоматический воздухоотводчик	✓	✓	✓	✓	✓	✓
13	Расширительный бак	✓*1	-	✓	-	✓*2	-
14	Фильтр	✓	✓	✓	✓	✓	✓
15	Дренажный поддон	-	-	-	-	✓	✓
16	Предохранительный клапан (5 бар)	✓*1	-	✓	-	✓*2	-
17	Датчик давления	-	✓*3	✓*3	✓*3	✓*3	✓*3

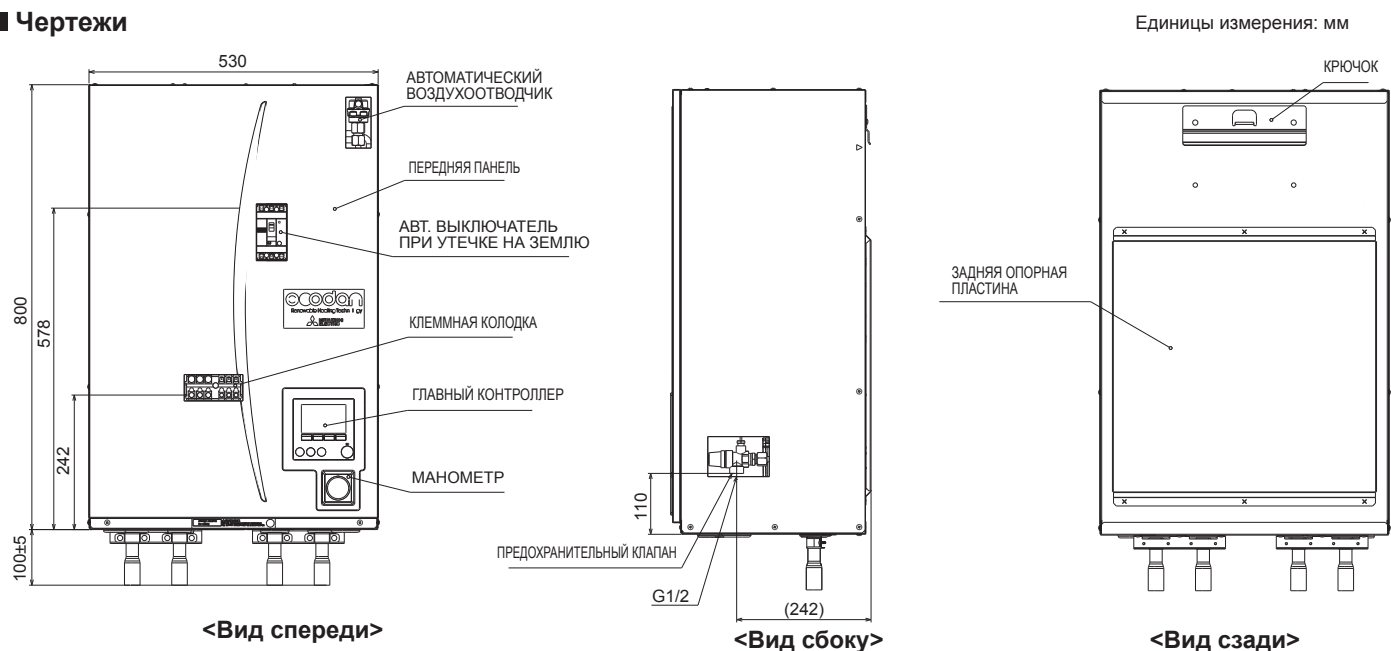
<Таблица 3.3>

Примечание.
При монтаже всех моделей E***-*M*ED на стороне первичного контура обязательно устанавливается расширительный бак соответствующего размера, а также дополнительный предохранительный клапан, не допускающий разрыва расширительного бака в ходе эксплуатации. (Подробнее см. рис. 3.5-3.6 и 4.3.10)

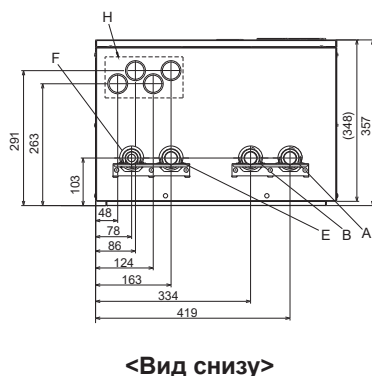
*1 EHPX-YM9ED и EHPX-MED в комплект не входят.
*2 ERSE-YM9ED в комплект не входит.
*3 Только модель 2HP (E*SD).

3 Техническая информация

■ Чертежи



<ЕНРХ> (Моноблочные модели)

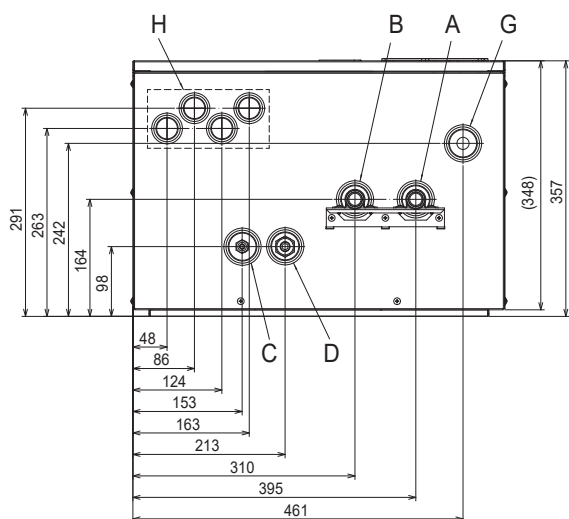


Символ	Описание трубопровода	Размер/Тип соединения	
A	Отопление/ бак косвенного ГВС (обратная вода первичного контура)	28 мм/компрессионное (ЕН**-*) Гайка G1 (ERS*-*)	
B	Отопление/ бак косвенного ГВС (прямая вода первичного контура)	28 мм/компрессионное (ЕН**-*) Гайка G1 (ERS*-*)	
C	Хладагент (жидкость)	6,35 мм/Раструб (E*SD-*) 9,52 мм/Раструб (E*SC-*)	⚠ Внимание • Подсоединения трубопроводов хладагента должны располагаться в удобных для техобслуживания местах. • Если трубопроводы хладагента соединяются обратно после разборки, расширяющуюся часть трубы следует изготовить заново.
D	Хладагент (газ)	12,7 мм/Раструб (E*SD-*) 15,88 мм/Раструб (E*SC-*)	
E	Прямая вода от теплового насоса	28 мм/компрессионное (ЕНРХ-*)	
F	Обратная вода от теплового насоса	28 мм/компрессионное (ЕНРХ-*)	
G	Трубопровод слива (устанавливается монтажником) от предохранительного клапана	G1/2" «мама» (штуцер подключения)	
H	Входы электрокабелей	Вход ① и ② для проводки высоковольтных проводов, включая кабель питания, межблочное соединение и выход внешних сигналов. Вход ③ и ④ для проводки низковольтных проводов, включая провода входа внешних сигналов и провода от термисторов. * Для кабеля-приемника беспроводного сигнала (опция) используйте вход ④.	
I	Сливное гнездо	Наружный диаметр \varnothing 20	

<Таблица 3.4>

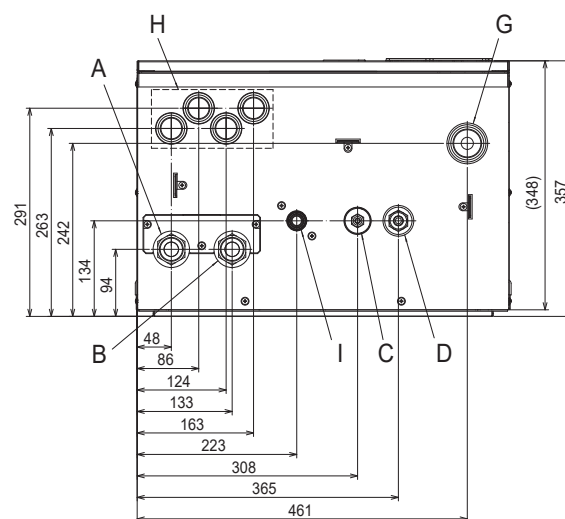
3 Техническая информация

<ENS*> (Модели типа сплит)



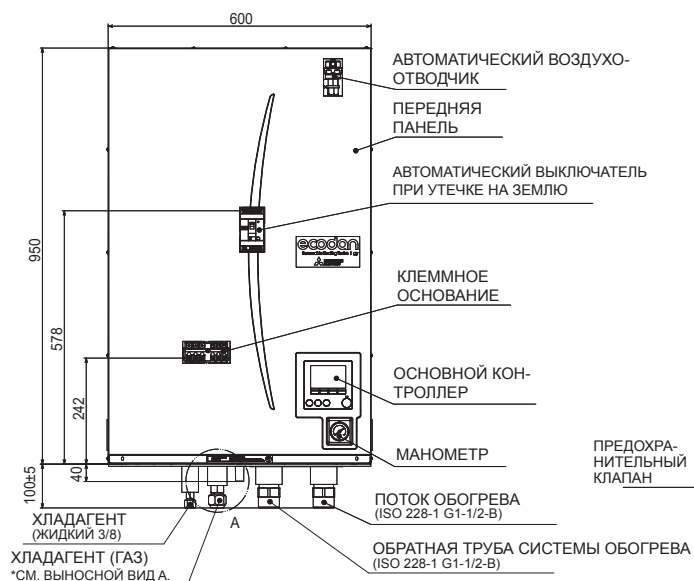
<Вид снизу>

<ERS*> (Модели типа сплит для отопления и охлаждения)

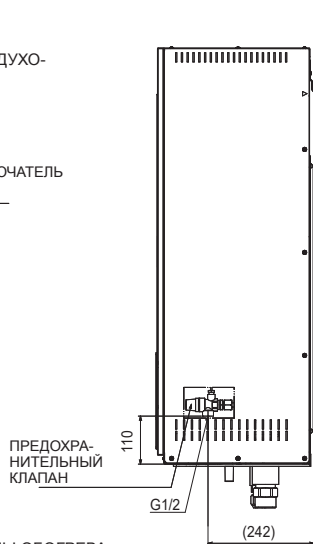


<Вид снизу>

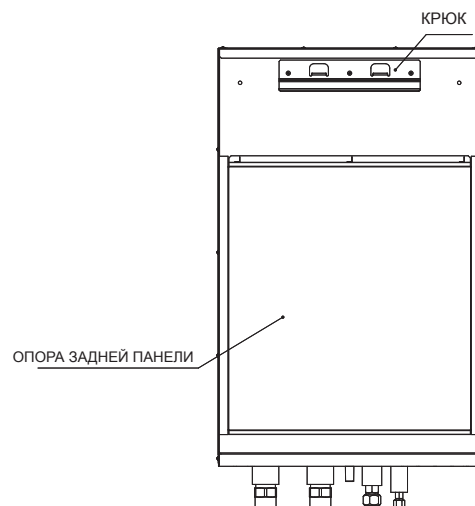
<E*SE> (Обогрев/Система обогрева и охлаждения)



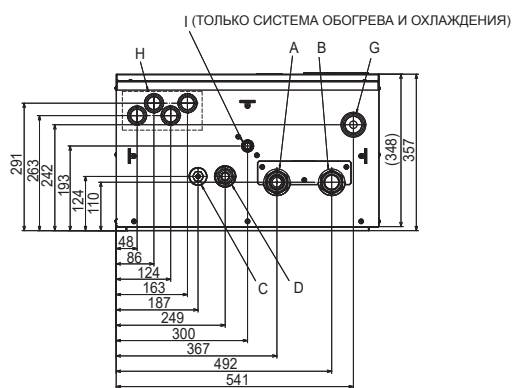
<Вид спереди>



<Вид сбоку>



<Вид сзади>

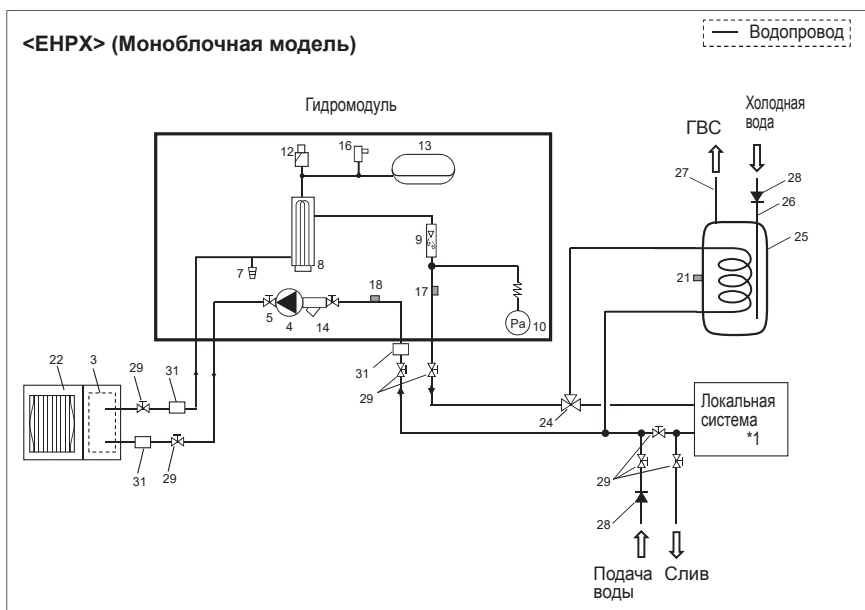


<Вид снизу>



3 Техническая информация

■ Схема контура воды



<Рисунок 3.5>

Примечания:

- Обязательно следуйте местным нормам и правилам при выполнении соединений системы ГВС.
- Части контура ГВС не включены в поставку. Все необходимые компоненты приобретаются отдельно.
- Для обеспечения слива воды из гидромодуля запорные клапаны должны быть установлены на трубопроводах подачи и выхода воды.
- Обязательно установите фильтр на трубопроводе подачи воды к гидромодулю.
- Соответствующий сливной трубопровод должен быть подключен ко всем клапанам выравнивания давления (предохранительным) в соответствии с местными нормами.
- На трубопроводе подачи воды должен быть установлен обратный клапан (IEC 61770).
- При использовании компонентов водяного контура, выполненных из различных металлов, следует предусмотреть изоляцию соединений для предотвращения коррозии.

No.	Компонент	EHPX- M*(E)D	EHS- MED	EHS- M*D	EHS- YM 9ED	ERS- M*(E) D	ERS- MED
1	Блок управления	✓	✓	✓	✓	✓	✓
2	Главный контроллер	✓	✓	✓	✓	✓	✓
3	Пластинчатый теплообменник «хладагент - Вода»	-	✓	✓	✓	✓	✓
4	Циркуляционный водяной насос	✓	✓	✓	✓	✓	✓
5	Клапан насоса	✓	✓	✓	✓	✓	✓
6	Воздухоотводчик (ручной)	-	✓	✓	✓	✓	✓
7	Сливной кран (первичный контур)	✓	✓	✓	✓	✓	✓
8	Проточный нагреватель 1, 2	✓	-	✓	✓	✓	-
9	Датчик протока	✓	✓	✓	✓	✓	✓
10	Манометр	✓	✓	✓	✓	✓	✓
11	Предохранительный клапан (3 бар)	-	✓	✓	✓	✓	✓
12	Автоматический воздухоотводчик	✓	✓	✓	✓	✓	✓
13	Расширительный бак	✓*2	-	✓	-	✓*3	-
14	Фильтр	✓	✓	✓	✓	✓	✓
15	Дренажный поддон	-	-	-	-	✓	✓
16	Предохранительный клапан (5 бар)	✓*2	-	✓	-	✓*3	-
17	TNW1	✓	✓	✓	✓	✓	✓
18	TNW2	✓	✓	✓	✓	✓	✓
19	TN2	-	✓	✓	✓	✓	✓
20	Датчик давления TNW5B	-	✓*4	✓*4	✓*4	✓*4	✓*4
21	Трубопровод выхода ГВС (Опция PAC-TN011TK2-E или PAC-TN011TKL2-E)	-	-	-	-	-	-
22	Наружный блок	-	-	-	-	-	-
23	Сливной трубопровод (приобретается отдельно)	-	-	-	-	-	-
24	3-ходовой клапан (приобретается отдельно)	-	-	-	-	-	-
25	Бак косвенного нагрева ГВС (приобретается отдельно)	-	-	-	-	-	-
26	Штуцер на входе холодной воды (приобретается отдельно)	-	-	-	-	-	-
27	Трубопровод выхода ГВС (приобретается отдельно)	-	-	-	-	-	-
28	Обратный клапан (приобретается отдельно)	-	-	-	-	-	-
29	Запорный клапан (приобретается отдельно)	-	-	-	-	-	-
30	Магнитный фильтр (приобретается отдельно) (рекомендуется)	-	-	-	-	-	-
31	Фильтр (приобретается отдельно)	-	-	-	-	-	-

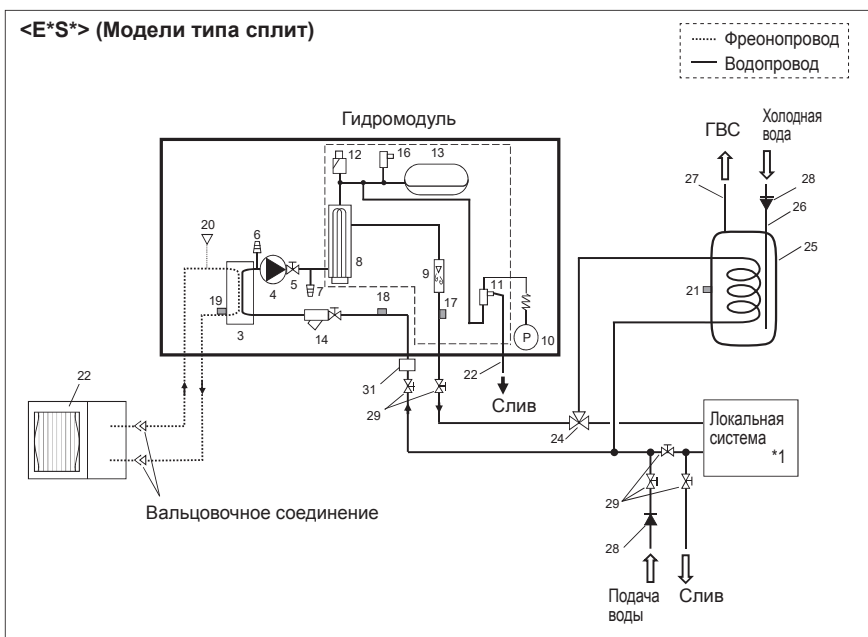
<Таблица 3.5>

*1. Смотрите следующий раздел «Локальная система».

*2 EHPX-YM9ED и EHPX-MED в комплект не входят.

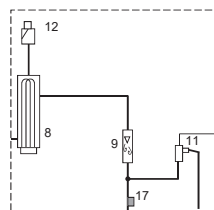
*3 ERSE-YM9ED в комплект не входит.

*4 Только модель 2HP (E*SD).



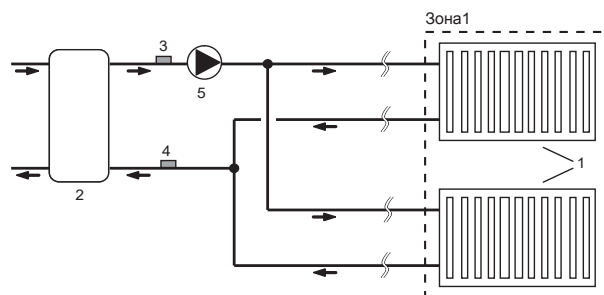
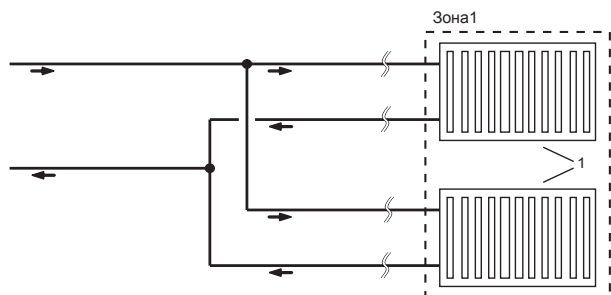
<Рисунок 3.6>

<Только E*SE>

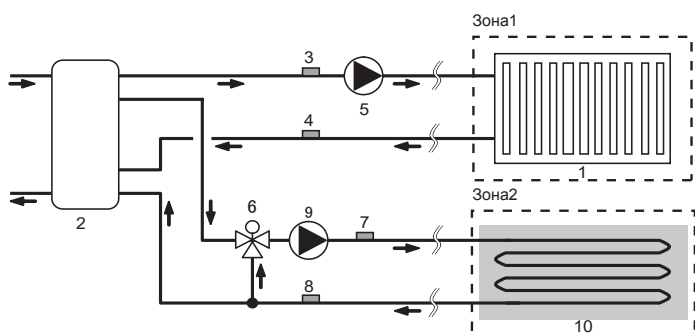


Локальная система

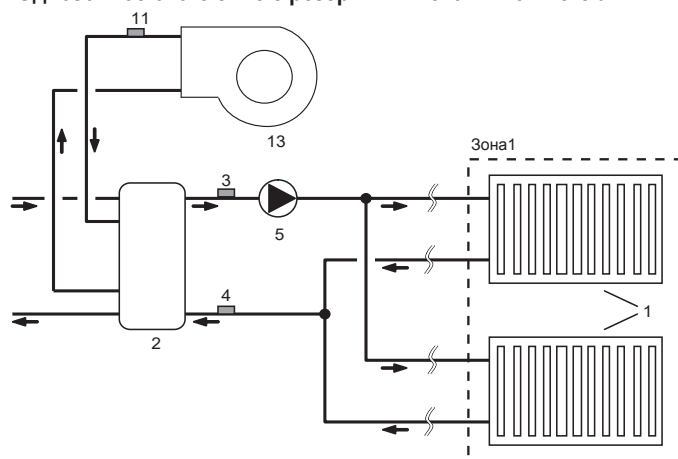
Однозонное отопление



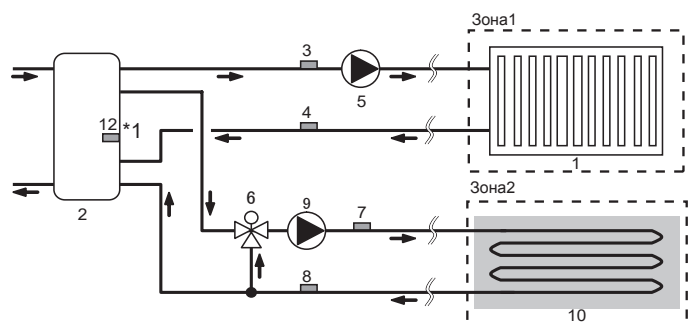
Двухзонное управление



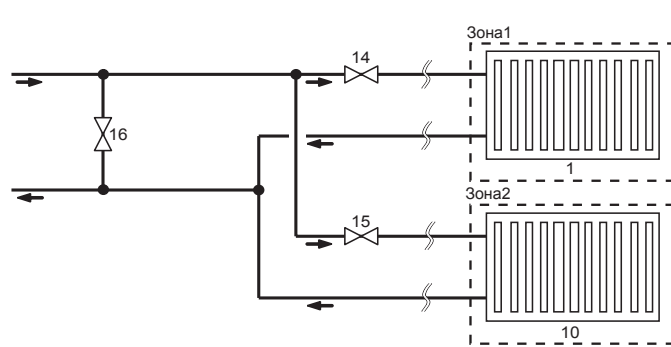
Однозонное отопление с резервным источником тепла



Регулировка температуры в двух зонах и контроль буферной емкости



Однозонное отопление (2-зонное регулирование двухходовыми клапанами)



1. Отопительные приборы Зоны 1 (радиаторы, фанкойлы) (приобретаются отдельно)
2. Смесительный бак (приобретается отдельно)
3. Термистор темп. прямой воды Зоны 1 (ТНWB6) } PAC-TH011-E
4. Термистор темп. обратной воды Зоны 1 (ТНWB7) } (опция)
5. Циркуляционный водяной насос Зоны 1 (приобретается отдельно)
6. Смесительный клапан с приводом (приобретается отдельно)
7. Термистор темп. прямой воды Зоны 2 (ТНWB8) } PAC-TH011-E
8. Термистор темп. обратной воды Зоны 2 (ТНWB9) } (опция)
9. Циркуляционный водяной насос Зоны 2 (приобретается отдельно)

10. Отопительные приборы Зоны 2 (радиаторы, фанкойлы) (приобретается отдельно)
11. Термистор темп. прямой воды бойлера (ТНWB1) } PAC-TH012HT(L)-E (опция)
12. Термистор смесительного бака (ТНWB10) *1 } (опция)
13. Бойлер (приобретается отдельно)
14. 2-ходовой клапан Зоны 1 (приобретается отдельно)
15. 2-ходовой клапан Зоны 2 (приобретается отдельно)
16. Байпасный клапан (приобретается отдельно)

*1 ТОЛЬКО контроль буферной емкости (нагрев/охлаждение) применяется к технологии «Smart grid готова»

4 Установка

<Подготовка к установке и обслуживанию>

- Подготовьте необходимые инструменты.
- Подготовьте необходимые защитные средства.
- Прежде чем проводить какие-либо работы подождите, пока остынут компоненты устройства.
- Обеспечьте достаточную вентиляцию.
- После остановки системы выключите автоматический выключатель питания и выньте вилку.
- Перед началом работы, связанной с электрооборудованием, дождитесь разряда конденсаторов.

<Меры безопасности при обслуживании>

- Не выполняйте работу, связанную с электрооборудованием, мокрыми руками.
- Не допускайте попадания воды или жидкости в электрооборудование.
- Не прикасайтесь к хладагенту.
- Не прикасайтесь к горячим и холодным частям холодильного контура.
- При необходимости ремонта или проверки системы без отключения питания проявляйте большую осторожность и не прикасайтесь к компонентам, находящимся под напряжением.

4.1 Размещение

■ Транспортировка и перемещение



<Рисунок 4.1.1>

Гидромодуль поставляется на деревянной паллете в картонной упаковке.

При транспортировке гидромодуля проявляйте осторожность, не допускайте ударов и повреждений корпуса. Не снимайте упаковку, пока гидромодуль не будет доставлен до места установки. Это поможет защитить устройство и панель управления.

Примечания:

- Гидромодуль должны перемещать не менее двух человек.
- **НЕ ДЕРЖИТЕСЬ** за трубопровод во время перемещения или подъема гидромодуля.

■ Требования к размещению

До установки гидромодуль должен храниться в закрытом, теплом помещении. НЕ складывайте гидромодули друг на друга.

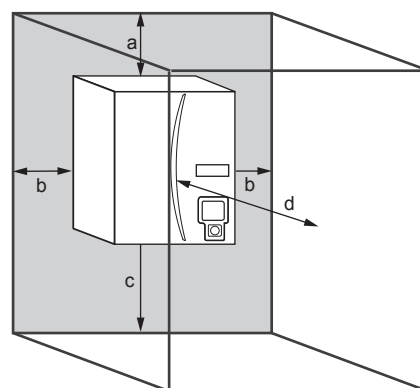
- Гидромодуль должен устанавливаться в закрытом теплом помещении.
- Устанавливайте гидромодуль в месте, где он не будет подвергаться воздействию воды/повышенной влажности.
- Гидромодуль должен размещаться на ровной стене, способной выдержать его вес в заполненном состоянии.
- Вес гидромодуля указан в разделе «3. Техническая информация».
- Соблюдайте минимальные расстояния вокруг и перед устройством для доступа при обслуживании. (Рис. 4.1.3)
- Закрепите гидромодуль для предотвращения падения при случайном ударе.
- При креплении гидромодуля к стене необходимо использовать крючок и опорную пластину. (Рис. 4.1.2)

■ Схема требуемого пространства для обслуживания

Сервисное пространство	
Параметр	Размеры (мм)
a	200
b	150
c	500
d	500

<Таблица 4.1.1>

Должно быть обеспечено достаточное пространство для сливного трубопровода согласно местным строительным нормам и правилам.



<Рисунок 4.1.3>

Сервисное пространство

Гидромодуль должен размещаться в закрытом теплом помещении, например, в подсобном помещении.

■ Изменение места установки

При необходимости перемещения гидромодуля в новое место, полностью слейте воду, чтобы избежать повреждения устройства.

Примечание:

НЕ ДЕРЖИТЕСЬ за трубопровод во время перемещения или подъема гидромодуля.

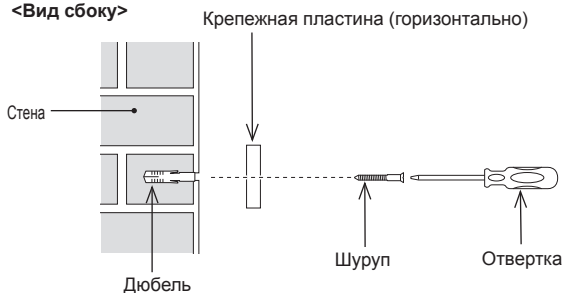
4 Установка

Монтаж

1. Установка крепежной пластины.

* При установке крепежной пластины используйте шурупы и дюбеля (приобретаются отдельно).

<Вид сбоку>



<Рис. 4.1.4>

- Убедитесь, что выемка крепежной пластины расположена СВЕРХУ. Крепежная пластина имеет круглые и овальные отверстия для монтажных шурупов. Для предотвращения падения устройства со стены, выберите необходимое количество отверстий и положение отверстий и прикрепите крепежную пластину горизонтально, в нужном месте на стене.

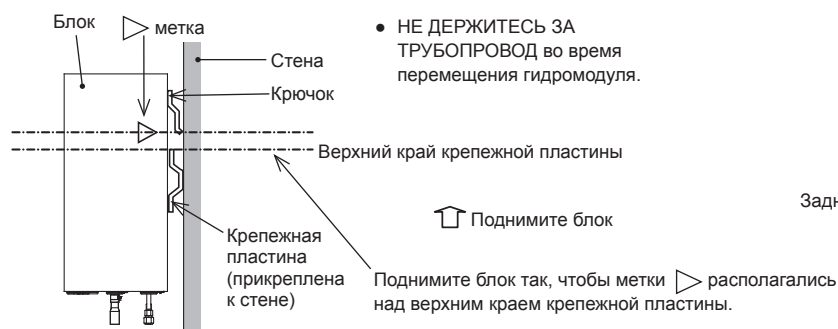
2. Вставьте крючок на задней части корпуса гидромодуля в выемку крепежной пластины.

* При подъеме гидромодуля сначала наклоните его вперед, используя упаковку для амортизации.

а) Правая и левая боковые панели имеют метку ▷.

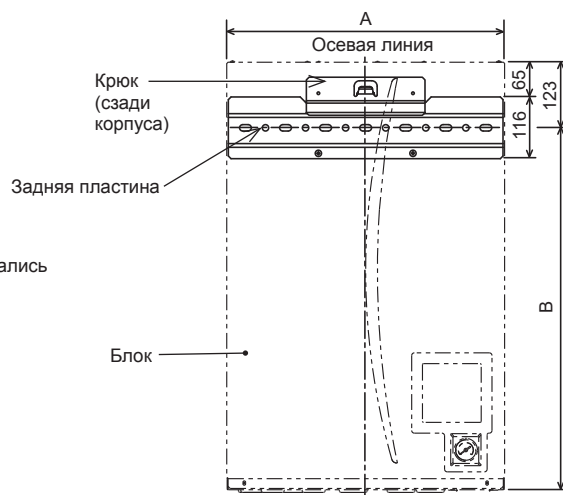
Поднимите блок так, чтобы метки ▷ располагались над верхним краем крепежной пластины, как показано ниже.

<Вид сбоку>



<Рис. 4.1.5>

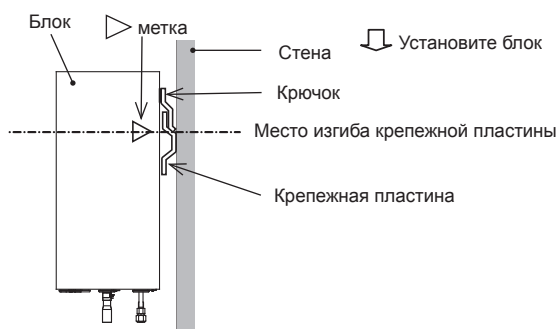
<Вид блока спереди>



<Рис. 4.1.7>

б) Проверьте правильность расположения меток ▷ на уровне изогнутой части на задней пластине (см. рисунок ниже).

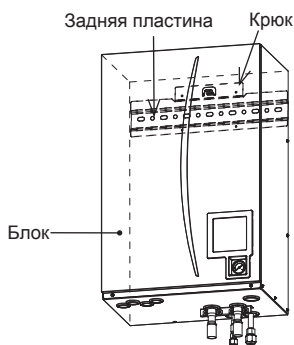
<Вид сбоку>



<Рис. 4.1.6>

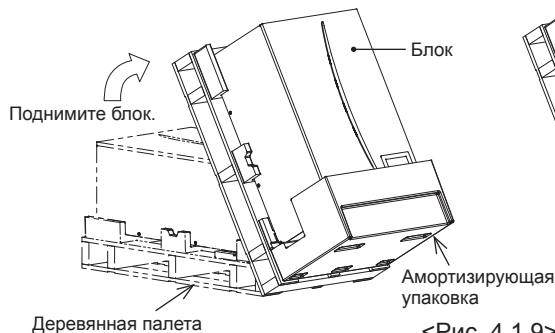
- На рис. 4.1.7 показано относительное положение блока и задней пластины с креплением на стену. При монтаже задней пластины сверяйтесь с <рис. 4.1.3> «Доступ для обслуживания».

Гидромодуль	Размеры (мм)	
	A	B
E*SC	530	677
E*SD	530	677
ENPX	530	677
E*SE	600	827



<Рис. 4.1.8>

<Действие 1>



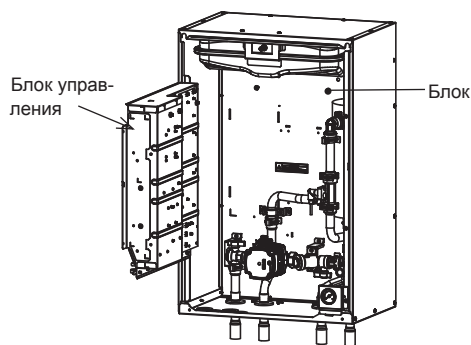
<Действие 2>



<Рис. 4.1.9>

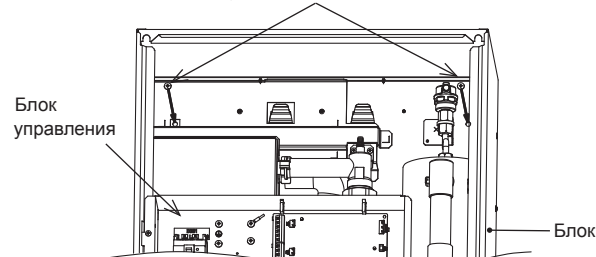
4 Установка

3. Сверяясь с разделом «Доступ к внутренним узлам, блоку управления и электрическому щитку», закрепите блок на задней пластине при помощи 2 прилагающихся винтов (входят в комплект принадлежностей).



<Рис. 4.1.10>

Зафиксируйте блок при помощи 2 винтов.



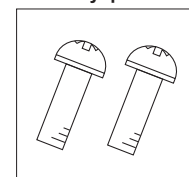
<Рис. 4.1.12>



<Рис. 4.1.11>

Закрепите блок 2 шурупами
* Если нет возможности использовать электроинструмент, воспользуйтесь ручным инструментом.

<Аксессуары>



Шурупы M5×8

Внимание!

Перед подключением трубопроводов убедитесь, что крепежные шурупы надежно затянуты. В противном случае крючок может соскочить, и блок может упасть.

4.2 Качество воды и подготовка системы

Общие требования

- Вода в первичном контуре и контуре санитарной воды должна быть чистая, значение pH 6,5 - 8,0.
- Ниже приведены максимальные допустимые значения:
Кальций: 100 мг/л, жесткая вода Ca: 250 мг/л, хлор: 100 мг/л, медь: 0,3 мг/л.
- Содержание других примесей должно соответствовать стандартам директивы ЕС 98/83.
- В районах с жесткой водой для предотвращения/минимизации образования накипи, целесообразно ограничить температуру воды (макс. температура ГВС) до 55°C.

Антифриз

В качестве антифриза следует использовать пропиленгликоль с токсичностью Класса 1 согласно Clinical Toxicology of Commercial Products, 5-е издание.

Примечания:

1. Этиленгликоль токсичен, и его не следует использовать в первичном контуре воды в случае перекрестного загрязнения с контуром питьевой воды.
2. При 2-зонном регулировании двухходовым клапаном следует использовать пропиленгликоль.

Первоначальная установка системы (первичный контур воды)

- Перед подключением наружного блока тщательно очистите трубопроводы от строительного мусора, припоя и т.д. с помощью подходящего чистящего средства.
- Промойте систему для удаления чистящих средств.
- Для всех моноблочных систем добавьте ингибиторы и антифриз, для предотвращения повреждения трубопроводов и компонентов системы.
- Для моделей типа сплит, монтажник должен принять решение о необходимости добавления антифриза в контур. Антикоррозийный ингибитор должен использоваться всегда.

Подключение к существующей системе (первичный контур воды)

- Перед подключением наружного блока, существующий отопительный контур должен быть химически очищен от инородных частиц.
- Промойте систему для удаления химических чистящих средств.
- Для всех моноблочных систем добавьте ингибиторы и антифриз для предотвращения повреждения трубопроводов и компонентов системы.
- Для моделей типа сплит, монтажник должен принять решение о необходимости добавления антифриза в контур. Антикоррозийный ингибитор должен использоваться всегда.

При использовании химических чистящих средств и ингибиторов следуйте инструкциям производителя и используйте вещества, подходящие для материалов, используемых в контуре воды.

Минимальное количество воды в контуре отопления/охлаждения

Наружный блок теплового насоса		Умеренный/теплый климат **		Холодный климат **	
		Внутренний блок, содержащий воду [л]	*Дополнительно требуемое количество воды [л]	Внутренний блок, содержащий воду [л]	*Дополнительно требуемое количество воды [л]
Моноблочная модель	PUZ-WM50	5	2	5	24
	PUZ-WM60		4		29
	PUZ-WM85		7		32
	PUZ-WM112		11		43
	PUZ-HWM140		15		55
Модель типа сплит	SUZ-SWM40	5	1	5	12
	SUZ-SWM60		2		21
	SUZ-SWM80		4		29
	PUHZ-FRP71		6		27
	PUHZ-SW75		6		27
	PUHZ-SW100		9		38
	PUHZ-SW120		12		47
	PUHZ-SW160		18		64
	PUHZ-SW200		24		81
	PUHZ-SHW80		6		29
	PUHZ-SHW112		11		43
	PUHZ-SHW140		15		55
	PUHZ-SHW230		28		94
PUMY-P112	22	75			
PUMY-P125	22	75			
PUMY-P140	22	75			

<Table 4.2.1>

* При наличии байпасного контура значение в таблице показывает минимальное количество воды для байпаса.

** Для уточнения своего климатического пояса см. документ 2009/125/EC: Директива по энергопотребляющей продукции и Регламент (ЕС) № 813/2013.

Вариант 1. Нет разделения между первичным и вторичным контурами
• Убедитесь, что обеспечено достаточное количество воды в соответствии с таблицей 4.2.1 через водяную трубу и радиатор или систему обогрева полов.
Вариант 2. Раздельный первичный и вторичный контур

• Если взаимоблокировка между первичным и вторичным контурами не предусмотрена, обеспечивается наличие дополнительного количества воды только в первичном контуре в соответствии с таблицей 4.2.1.

• Если взаимоблокировка между первичным и вторичным контурами предусмотрена, обеспечивается наличие общего количества воды в первичном и вторичном контурах в соответствии с таблицей 4.2.1.

При дефиците воды относительно требуемого количества устанавливается буферная емкость.

4.3 Монтаж водопроводных труб

Примечание: Для предотвращения возникновения напряжения на штуцерах гидромодуля, крепите трубы к стене или применяйте другие способы.

■ Монтаж трубопроводов горячей воды

Нормальное функционирование следующих защитных устройств должно быть проверено при монтаже:

- Предохранительный клапан;
- Предварительно заряженный расширительный бак (газом под давлением).

Точно выполняйте инструкции, указанные далее, по безопасному отводу горячей воды от защитных устройств.

- Трубопроводы станут очень горячими, изолируйте их для предотвращения получения ожогов.
- При подключении трубопроводов убедитесь, что в них не попали посторонние предметы, мусор и т. д.

■ Подключение защитных устройств

Гидромодуль оснащен клапаном выравнивания давления. (см. <Рис. 4.3.1>) Соединение имеет размер G1/2" и внутреннюю резьбу. Специалист, выполняющий монтаж, должен **ОБЯЗАТЕЛЬНО** подсоединить соответствующий выпускной трубопровод от этого клапана в соответствии с требованиями государственных и местных норм. Невыполнение этого требования может привести к сливу горячей воды из предохранительного клапана непосредственно в гидромодуль и причинить серьезные повреждения.

Все трубопроводы должны выдерживать слив горячей воды. Предохранительные клапаны не должны использоваться в других целях, и сливная вода от них должна отводиться в соответствующее безопасное место согласно местным нормам.

Примечание: Манометр и клапан выравнивания давления должны быть установлены без напряжения на стороне капилляра и на стороне входа. При установке предохранительного клапана на соединении между гидромодулем и предохранительным клапаном не допустима установка обратных или запорных клапанов. (В целях безопасности.)

■ Установка фильтра воды (ТОЛЬКО для серии ENPX)

Установите гидравлический или сетчатый фильтр (приобретаются отдельно) на входе воды.

■ Подключения трубопроводов

Присоединение к гидромодулю может выполняться при помощи компрессионных фитингов 28 мм (серия EHSC/D) или гайки G1 (серия ERSC/D), гайки G1-1/2 (серия E*SE) в соответствии с потребностью. (Гидромодуль снабжен штуцерами G1 или G1-1/2 с наружной резьбой.)

Не опрессовывайте фитинги слишком сильно, так как это может привести к деформации обжимного кольца и утечке.

Примечание: **Перед пайкой труб на месте защитите трубы на гидроблоке, используя в качестве «теплового экрана» мокрые полотенца.**

Для затягивания трубных соединений используйте два гаечных ключа (см. <Рис. 4.3.2>).

■ Дренажный трубопровод (только серии ER)

Трубопровод должен быть установлен для слива конденсата, выпадающего в режиме охлаждения.

- Надежно установите трубопровод для предотвращения утечки из соединений.
- Изолируйте дренажный штуцер для предотвращения просачивания воды в месте соединения с дренажным трубопроводом.
- Устанавливайте дренаж с уклоном вниз 1/100 или более.
- Не располагайте дренажные трубы в дренажном канале, где присутствует сероокислый газ.
- После установки проверьте слив воды из дренажного трубопровода.

<Установка>

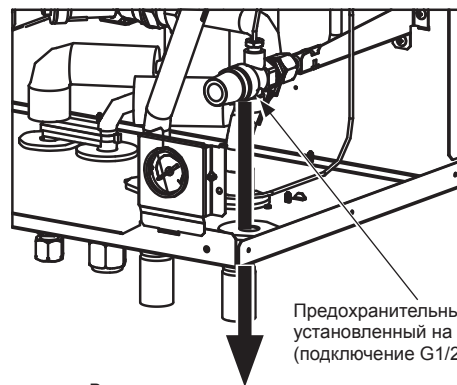
1. Применяйте поливинилхлоридную мастику на заштрихованных поверхностях внутри дренажной трубы и снаружи дренажного штуцера, как показано.
2. Наденьте дренажную трубу глубоко на дренажный штуцер (рис. 4.3.3).

Примечание: Надежно закрепите трубу на штуцере для предотвращения ее падения.

Для предотвращения непосредственного слива загрязненной воды на пол вблизи гидромодуля, пожалуйста, подсоедините к гидромодулю соответствующий сливной трубопровод.

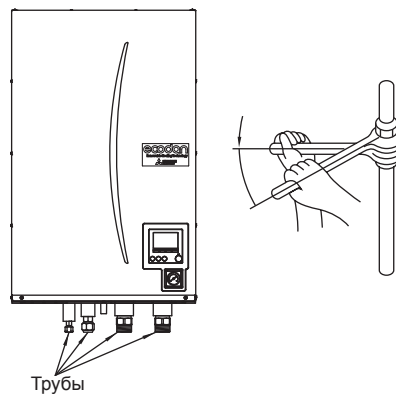
■ Изоляция трубопроводов

- Все открытые участки трубопроводов воды должны быть изолированы для предотвращения теплопотерь и образования конденсата. Чтобы предотвратить попадание конденсата в гидромодуль, трубопроводы и соединения в верхней части гидромодуля должны быть тщательно изолированы.
- Трубопроводы горячей и холодной воды не должны проходить близко друг от друга, чтобы предотвратить нежелательный теплообмен.
- Трубопровод между наружным блоком теплового насоса и гидромодулем должен быть изолирован подходящим изоляционным материалом для труб с коэффициентом теплопроводности $\leq 0,04$ Вт/м*К.

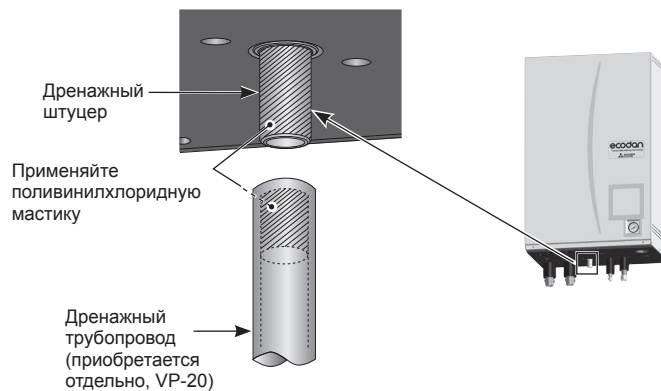


Выпуск под слив (труба **ОБЯЗАТЕЛЬНО** устанавливается специалистом, выполняющим монтаж).

<Рисунок 4.3.1>



<Рисунок 4.3.2>



<Рисунок 4.3.3>

■ Характеристики циркуляционного водяного насоса

Производительность насоса может быть выбрана в настройках главного контроллера (см. рисунки 4.3.4 - 4.3.9).

Отрегулируйте настройки производительности насоса таким образом, чтобы скорость потока в первичном контуре соответствовала установленному наружному блоку (см. таблицу 4.3.1). Может возникнуть необходимость добавления в систему дополнительного насоса в зависимости от длины и подъема первичного контура.

Для моделей наружных блоков, которые не указаны в таблице 4.3.1, смотрите диапазон скорости потока воды в спецификации наружного блока.

<Второй насос>

Если необходима установка второго насоса, руководствуйтесь следующим. При использовании в системе второго насоса, существуют два варианта его установки. Положение установки насоса влияет на подключение сигнального кабеля к клеммам FTC. Если ток дополнительного насоса(ов) более 1 А, используйте подходящее реле. Сигнальный кабель насоса может быть подключен к клеммам TBO.1 1-2 или CNP1, но не к обеим одновременно.

Вариант 1 (только отопление/охлаждение)

Если второй насос используется только для контура отопления, сигнальный кабель должен быть подключен к клеммам 3 и 4 TBO.1 (OUT 2). При этом варианте насос может работать с разной производительностью по отношению к встроенному насосу гидромодуля.

Вариант 2 (первичный контур ГВС и отопление/охлаждение)

Если второй насос используется только в первичном контуре между гидромодулем и наружным блоком (только моноблочные системы), то сигнальный кабель должен быть подключен к клеммам 1 и 2 TBO.1 (OUT 1). При этом варианте производительность насоса должна соответствовать скорости встроенного насоса гидромодуля.

Примечание: См. пункт 5.2 «Подключение входов/выходов».

Наружный блок теплового насоса	Расход воды (л/мин)	
Моноблочная модель	PUZ-WM50	6,5 - 14,3
	PUZ-WM60	8,6 - 17,2
	PUZ-WM85	10,8 - 25,8
	PUZ-WM112	14,4 - 32,1
Модель типа сплит	PUZ-HWM140	17,9 - 36,9
	SUZ-SWM40	6,5 - 11,4
	SUZ-SWM60	7,2 - 17,2
	SUZ-SWM80	7,8 - 21,5
	PUHZ-FRP71	11,5 - 22,9
	PUHZ-SW75	10,2 - 22,9
	PUHZ-SW100	14,4 - 32,1
	PUHZ-SW120	20,1 - 36,9
	PUHZ-SHW80	10,2 - 22,9
	PUHZ-SHW112	14,4 - 32,1
	PUHZ-SHW140	17,9 - 36,9
	PUMY-P112	17,9 - 35,8
	PUMY-P125	17,9 - 35,8
PUMY-P140	17,9 - 35,8	

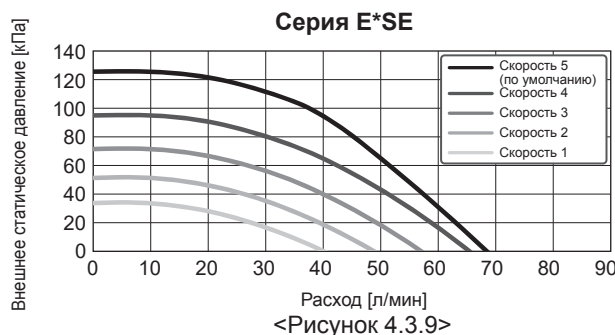
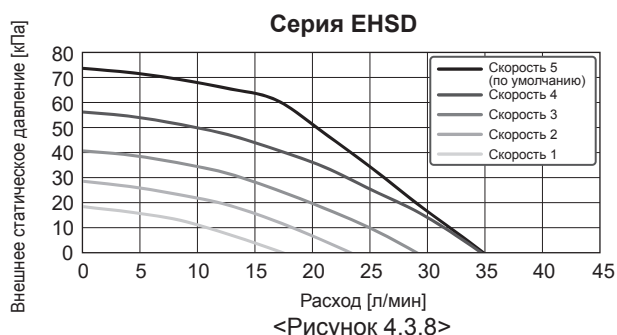
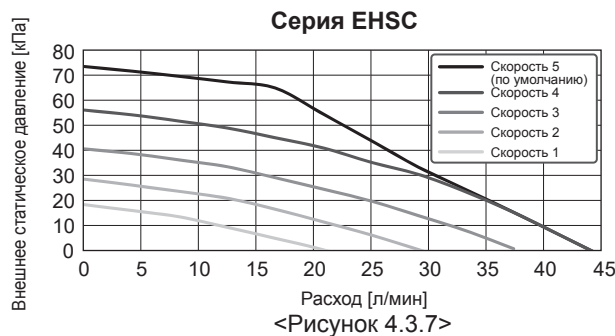
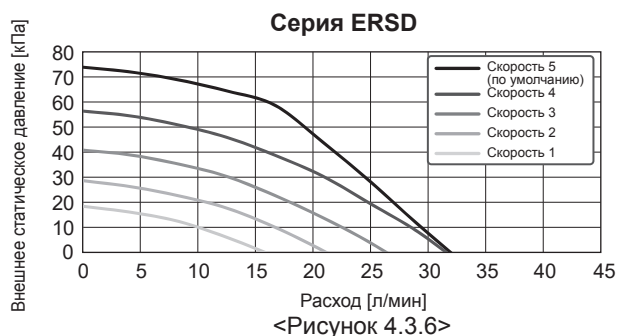
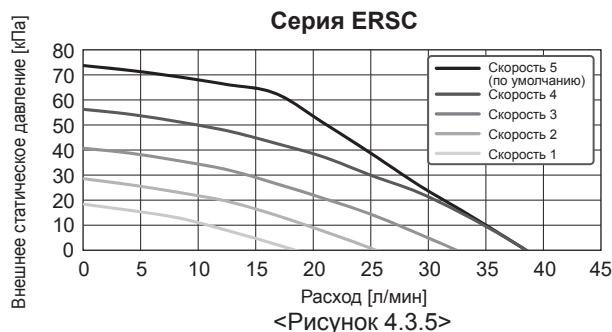
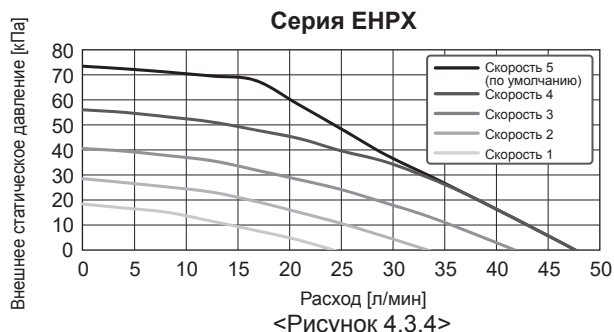
<Таблица 4.3.1>

* Если расход воды менее 5,0 л/мин, будет активирована неисправность датчика протока.

Если расход воды превышает 36,9 л/мин, скорость потока превысит 2,0 м/с, что может привести к коррозии труб.

ru

Характеристики циркуляционного водяного насоса



■ Размер расширительного бака

Объем расширительного бака должен соответствовать объёму воды в локальной системе. Для расчета объема расширительного бака для контуров отопления и охлаждения используйте приведенные формулу и график. Если необходимый объем расширительного бака превышает объем встроенного бака, установите дополнительный бак объемом, превышающим сумму объемов расширительных баков (встроенного и расчетного).

* При монтаже модели E***-M*ED подготовьте и установите на стороне первичного контура подходящий расширительный бак и дополнительный предохранительный клапан, настроенный на давление 3 бара, поскольку в основной комплектации такой расширительный бак не предусмотрен.

$$V = \frac{\varepsilon \times G}{1 - \frac{P_1 + 0,098}{P_2 + 0,098}}$$

Где:

V - необходимый объем расширительного бака [л];
 ε - коэффициент расширения воды;
 G - общий объем воды в системе [л];
 P₁ - установленное давление расширительного бака [МПа];
 P₂ - максимальное рабочее давление [МПа].

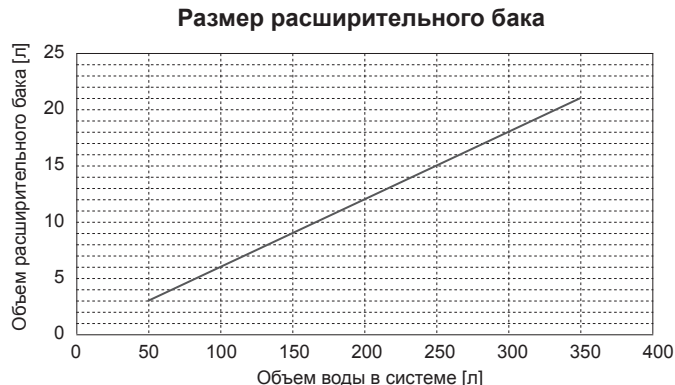
График справа для следующих значений:

ε: при 70 °C = 0,0229;

P₁ = 0,1 МПа;

P₂ = 0,3 МПа.

В расчёте заложен 30%-ный запас.

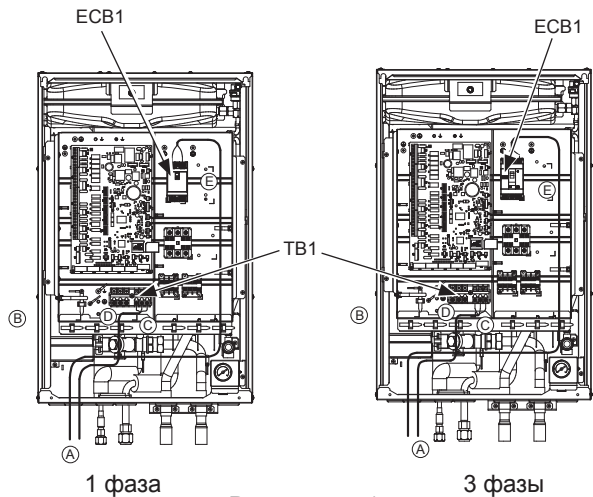


<Рисунок 4.3.10>

4.4 Электрические соединения

Все электромонтажные работы должны выполняться квалифицированными специалистами. Несоблюдение этого правила может привести к поражению электрическим током, возгоранию или смерти. Также, в этом случае, гарантия будет недействительна. Все электрические соединения должны выполняться в соответствии с местными нормами.

Наименование	Назначение
ECB1	Автоматический выключатель проточного нагревателя
TB1	Клеммная колодка 1



<Рисунок 4.4.1>

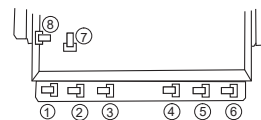
Гидромодуль может быть подключен к электропитанию двумя способами:

1. Кабель питания проведен от наружного блока к гидромодулю.
2. Гидромодуль имеет независимый источник питания.

Подключение должно быть выполнено к клеммным колодкам, указанным на рисунках ниже слева, в зависимости от количества фаз.

Проточный и погружной нагреватели должны быть подключены независимо друг от друга к выделенным источникам питания.

- Провода (приобретаются отдельно) должны быть проведены через входные отверстия, расположенные в основании гидромодуля (см. таблицы 3.4).
- Проводка подводится снизу по левой стороне блока управления и фиксируется с помощью хомутов.
- Провода должны быть закреплены кабельными стяжками, как показано ниже.
 - Выходные провода
 - Межблочное соединение
 - Линия питания (В.Н.)
 - Сигнальная проводка входов
 - Проводка беспроводного приемника (опция) (PAR-WR51R-E)
- Подключите соединительный кабель наружный блок - гидромодуль к TB1.
- Подключите кабель питания проточного нагревателя к ECB1.



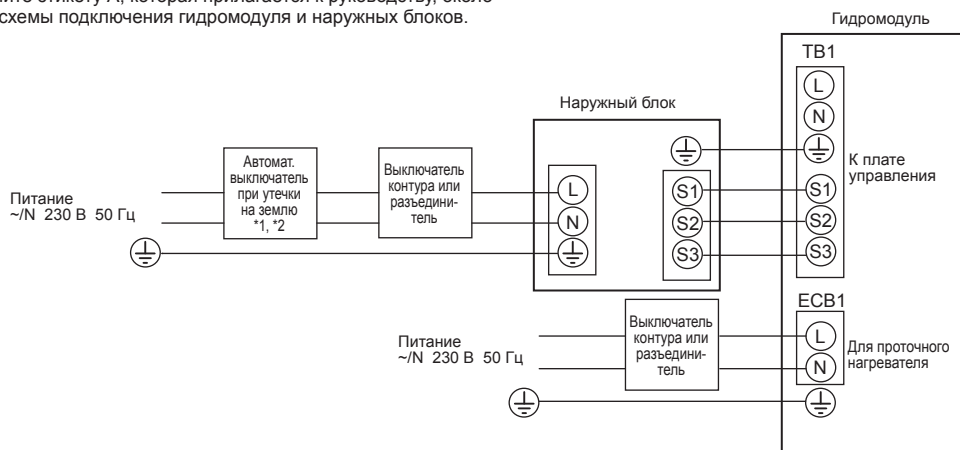
• Убедитесь, что ECB1 в положении ON.

4 Установка

Гидро модуль подключен к питанию от наружного блока
(Если необходимо использовать автономный источник, посетите сайт Mitsubishi.)

1 фаза

Прикрепите этикетку А, которая прилагается к руководству, около каждой схемы подключения гидро модуля и наружных блоков.



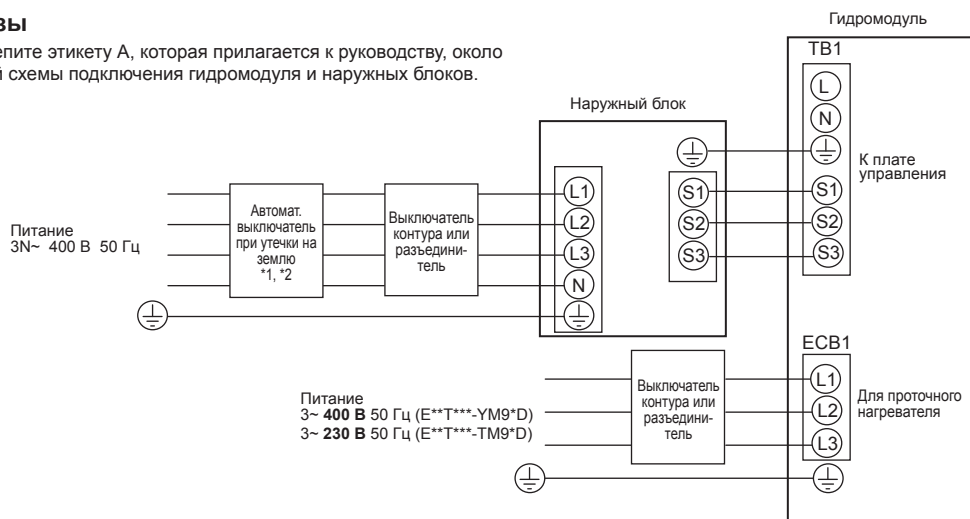
<Рисунок 4.4.2>

Электрические соединения, 1 фаза

Наименование нагревателя	Питание	Мощность	Автом. выкл.	Кабель
Проточный	~N 230 В 50 Гц	2 кВт	16 А *2	2,5 мм ²
		6 кВт	32 А *2	6,0 мм ²

3 фазы

Прикрепите этикетку А, которая прилагается к руководству, около каждой схемы подключения гидро модуля и наружных блоков.



<Рисунок 4.4.3>

Электрические соединения, 3 фаза

Наименование нагревателя	Питание	Мощность	Автом. выкл.	Кабель
Проточный	3~ 400 В 50 Гц	9 кВт	16 А *2	2,5 мм ²
	3~ 230 В 50 Гц	9 кВт	32 А *2	6,0 мм ²

Кол-во проводов x сечение (мм ²)	Гидро модуль - Наружный блок	*3	3 × 1,5 (полярный)
	Гидро модуль - Заземление наружного блока	*3	1 × мин. 1,5
Характеристики контура	Гидро модуль - Наружный блок S1-S2	*4	230 В пер. тока
	Гидро модуль - Наружный блок S2 - S3	*4	24 В пост. тока

*1. Если автоматический выключатель при утечки на землю не имеет функции защиты от токов перегрузки, установите выключатель с этой функцией на эту же линию.

*2. Должен использоваться автоматический выключатель с зазором между контактами не менее 3,0 мм на каждом полюсе. Используйте выключатель с защитой при утечки токов на землю (NV). Выключатель должен обеспечивать отключение всех активных проводников фаз от питания.

*3. Максимально 45 м

Если используется 2,5 мм², максимально 50 м.

Если используется 2,5 мм² и S3 отдельно, максимально 80 м.

*4. Значения, указанные в таблице выше, не всегда измерены относительно нулевого проводника.

Примечания:

1. Параметры кабеля должны соответствовать местным и федеральным нормам.

2. Для кабелей соединения гидро модуль/наружный блок используется гибкий кабель в полихлоропреновой изоляции (разработка 60245 IEC 57).

Для кабеля питания гидро модуля используется гибкий кабель в полихлоропреновой изоляции (разработка 60227 IEC 53).

3. Прокладывайте кабель заземления длиннее, чем другие кабели.

4. Обеспечьте достаточную мощность электропитания для каждого нагревателя. Отсутствие необходимой мощности электропитания может привести к вибрациям.

5 Настройка системы

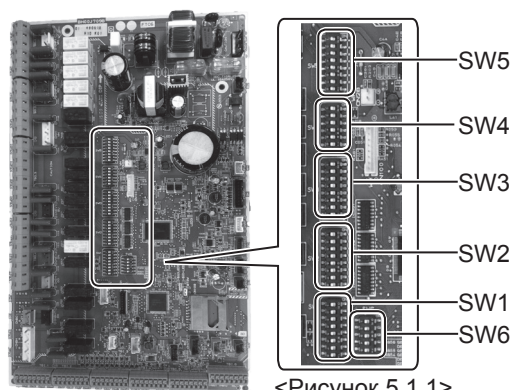
5.1 Функции DIP-переключателей

Номер DIP-переключателя написан на печатной плате рядом с соответствующим переключателем. Положение «включено» (ON) указано на печатной плате и непосредственно на самом блоке DIP-переключателя. Для перемещения переключателя (вкл/выкл) необходимо использовать булавку, уголок тонкой металлической линейки или подобное.

Настройки DIP-переключателей приведены ниже в таблице 5.1.1.

Только авторизованный специалист по установке имеет право менять настройки DIP-переключателя под собственную ответственность в соответствии с условиями установки.

Обязательно выключите электропитание внутреннего и наружного блоков перед изменением настроек DIP-переключателей.



<Рисунок 5.1.1>

DIP-переключатель	Назначение	Выключено	Включено	По умолчанию: гидромодуль			
SW1	SW1-1 Бойлер	Без бойлера	С бойлером	Выкл			
	SW1-2 Макс. темп. воды на выходе из теплового насоса	55°C	60°C	Вкл *1			
	SW1-3 Бак ГВС	Без бака ГВС	С баком ГВС	Выкл			
	SW1-4 Погружной нагреватель	Без погружного нагревателя	С погружным нагревателем	Выкл			
	SW1-5 Проточный нагреватель	Без проточного нагревателя	С проточным нагревателем	Выкл : E***-MED Вкл : E***-M2/6/9°D			
	SW1-6 Функция проточного нагревателя	Только для отопления	Для отопления и ГВС	Выкл : E***-MED Вкл : E***-M2/6/9°D			
	SW1-7 Тип наружного блока	Модель типа сплит	Моноблочный тип	Выкл: Исключающая EHPX-*M**D Вкл : EHPX-*M**D			
	SW1-8 Беспроводной пульт управления	Без беспроводного пульта управления	С беспроводным пультом управления	Выкл			
SW2	SW2-1 Вход (IN1) изменения логики комнатного термостата 1	Остановка Зоны 1 при замыкании термостата	Остановка Зоны 1 при размыкании термостата	Выкл			
	SW2-2 Вход (IN2) изменения логики датчика протока 1	Определение неисправности при замыкании	Определение неисправности при размыкании	OFF: Исключающая E***-VM2D ON : E***-VM2D			
	SW2-3 Ограничение мощности проточного нагревателя	Неактивно	Активно	OFF: Исключающая ERS*-*M**D ON : ERS*-*M**D			
	SW2-4 Функция режима охлаждения	Неактивно	Активно	Выкл			
	SW2-5 Авто переключение в режим работы резервной системы отопления (при остановке наружного блока)	Неактивно	Активно *2	Выкл			
	SW2-6 Смесительный бак	Без смесительного бака	С смесительным баком	Выкл			
	SW2-7 2-зонное управление температурой	Неактивно	Активно *6	Выкл			
	SW2-8 Датчик протока	Без датчика протока	С датчиком протока	Вкл			
SW3	SW3-1 Вход (IN6) изменения логики комнатного термостата 2	Остановка Зоны 2 при замыкании термостата	Остановка Зоны 2 при размыкании термостата	Выкл			
	SW3-2 Изменение логики реле потока 2 и 3	Определение неисправности при замыкании	Определение неисправности при размыкании	Выкл			
	SW3-3 —	—	—	Выкл			
	SW3-4 Электросчетчик	Без электросчетчика	С электросчетчиком	Выкл			
	SW3-5 Режим функции отопления *3	Неактивно	Активно	Вкл			
	SW3-6 Двухходовой клапан 2-зонного регулирования	Неактивно	Активно	Выкл			
	SW3-7 Теплообменник для ГВС	Теплообменник в баке ГВС	Внешний пластинчатый теплообменник	Выкл			
	SW3-8 Теплосчетчик	Без теплосчетчика	С теплосчетчиком	Выкл			
SW4	SW4-1 Управление несколькими наружными блоками	Неактивно	Активно	Выкл			
	SW4-2 Статус управления несколькими наружными блоками *7	Подчиненный	Главный	Выкл			
	SW4-3 —	—	—	Выкл			
	SW4-4 Работает только внутренний блок (при установке) *4	Неактивно	Активно	Выкл			
	SW4-5 Аварийный режим (работает только нагреватель)	Стандартно	Аварийный режим (работает только нагреватель)	Выкл *5			
	SW4-6 Аварийный режим (работает бойлер)	Стандартно	Аварийный режим (работает бойлер)	Выкл *5			
SW5	SW5-1 —	—	—	Выкл			
	SW5-2 Расширенная автоадаптация	Неактивно	Активно	Вкл			
	SW5-3	Код производительности					
	SW5-4		SW5-3	SW5-4	SW5-5	SW5-6	SW5-7
	SW5-5	E*SC-*M**D	Вкл	Вкл	Вкл	Вкл	Выкл
	SW5-6	E*SD-*M**D	Вкл	Выкл	Выкл	Вкл	Выкл
	SW5-7	E*SE-*M**ED	Выкл	Вкл	Вкл	Выкл	Вкл
	SW5-8	EHPX-*M**D	Выкл	Выкл	Выкл	Выкл	Выкл
SW6	SW6-1 —	—	—	—	Выкл		
	SW6-2 —	—	—	—	Выкл		
	SW6-3 Датчик давления	Inactif		Fonction activée		Выкл: Исключающая E*SD-*M**D Вкл: E*SD-*M**D	
	SW6-4 Аналоговый выход	Неактивно		Активно		Выкл	
	SW6-5 —	—	—	—	—	Выкл	

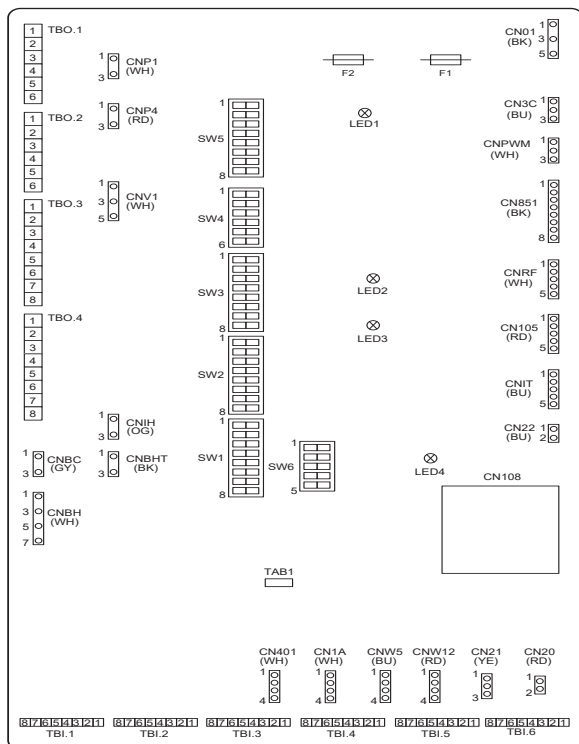
<Таблица 5.1.1>

Примечания:

- *1. Когда гидромодуль подключен к наружному блоку PUNZ-RP, максимальная температура воды на выходе из которого составляет 55°C, DIP SW1-2 должен быть переключен в положение Выкл.
- *2. OUT11 будет доступен. Из соображений безопасности эта функция недоступна при некоторых ошибках. (Работа должна быть остановлена и только циркуляционный насос воды продолжает работать).
- *3. Этот переключатель функционирует только когда гидромодуль подключен к наружному блоку PUNZ-FRP. При подключенном наружном блоке другого типа, режим отопления активируется независимо, включен этот переключатель или выключен.
- *4. Отопление и ГВС работают только во внутреннем блоке, как и электронагреватель. (См. «5.4 Работа только гидромодуля»).
- *5. Если аварийный режим больше не требуется, верните переключатель в положение Выкл.
- *6. Активно только когда SW3-6 установлен на Выкл.
- *7. Активно только когда SW4-1 установлен на Вкл.

5 Настройка системы

5.2 Подключение входов/выходов



<Рисунок 5.2.1>

Спецификация проводки и части, приобретаемые отдельно

Позиция	Наименование	Тип и характеристики
Функция входного сигнала	Кабель входного сигнала	Провод или кабель с виниловой изоляцией. Максимальная длина 30 м Тип провода: CV, CVS или подобный Сечение провода: многожильный, от 0,13 мм ² до 0,52 мм ² Одножильный: от \varnothing 0,4 мм до \varnothing 0,8 мм
	Переключатель	Без напряжения (сухой контакт) Дистанционный переключатель: мин. допустимая нагрузка 12 В пост. тока, 1 мА

Примечание:

Многожильные провода должны быть изолированы (в соответствии со стандартом DIN46228-4).

ru

Входы сигналов

Символ	Клемная колодка	Разъем	Позиция	Выкл (разомнут)	Вкл (замкнут)
IN1	TBI.1 7-8	—	Вход комнатного термостата 1 *1	См. SW2-1 в «5.1 DIP переключатель функций»	
IN2	TBI.1 5-6	—	Вход датчика протока 1	См. SW2-2 в «5.1 DIP переключатель функций»	
IN3	TBI.1 3-4	—	Вход датчика протока 2 (Зона 1)	См. SW3-2 в «5.1 DIP переключатель функций»	
IN4	TBI.1 1-2	—	Вход регулятора электропотребления	Стандартно	Источник тепла Выкл/Работа бойлера *3
IN5	TBI.2 7-8	—	Вход наружного термостата *2	Стандартно	Работа нагревателя/Работа бойлера *3
IN6	TBI.2 5-6	—	Вход комнатного термостата 2 *1	См. SW3-1 в «5.1 Функции DIP-переключателей»	
IN7	TBI.2 3-4	—	Вход датчика протока 3 (Зона 2)	См. SW3-2 в «5.1 Функции DIP-переключателей»	
IN8	TBI.3 7-8	—	Электросчетчик 1	*4	
IN9	TBI.3 5-6	—	Электросчетчик 2		
IN10	TBI.2 1-2	—	Теплосчетчик		
IN11	TBI.3 3-4	—	Вход «умных сетей электроснабжения»	*5	
IN12	TBI.3 1-2	—			
INA1	TBI.4 1-3	CN1A	Датчик протока	—	—

*1. Установите длительность цикла ВКЛ./ВЫКЛ. комнатного термостата на 10 минут или более; несоблюдение данного требования может привести к повреждению компрессора.

*2. При использовании наружного термостата для управления работой нагревателей, срок службы нагревателей и связанных с ними частей может быть уменьшен.

*3. Для включения бойлера используйте главный контроллер для выбора «Бойлер» в окне «Настройка входа внешнего сигнала» сервисного меню.

*4. Подключаемые электросчетчики и теплосчетчики.

- Счетчик импульсов Напряжение сухого контакта 12 В пост. тока определяется FTC. (На контактах TBI.2 1, TBI.3 5 и 7 присутствует положительное напряжение)
- Продолжительность импульсов Минимальное время Вкл: 40 мс
Минимальное время Выкл: 100 мс
- Возможные ед. изм. импульса 0,1 импульс/кВт*ч; 1 импульс/кВт*ч; 10 импульсов/кВт*ч;
100 импульсов/кВт*ч; 1000 импульсов/кВт*ч

Эти значения могут быть установлены с помощью главного контроллера. (Смотрите дерево меню в разделе «Главный контроллер».)

*5. Информацию о технологии smart grid ready см. в руководстве на веб-сайте.

Входы сигналов термисторов

Символ	Клемная колодка	Разъем	Позиция	Наименование опции
TH1	—	CN20	Термистор (комнатная темп.) (Опция)	PAC-SE41TS-E
TH2	—	CN21	Термистор (темп. жидкого хладагента)	—
THW1	—	CNW12 1-2	Термистор (темп. прямой воды)	—
THW2	—	CNW12 3-4	Термистор (темп. обратной воды)	—
THW5B	—	CNW5 3-4	Термистор (темп. воды бака ГВС) (Опция) *1	PAC-TH011TK2-E(5 m)/ PAC-TH011TKL2-E(30 m)
THW6	TBI.5 7-8	—	Термистор (темп. прямой воды Зона 1) (Опция) *1	PAC-TH011-E
THW7	TBI.5 5-6	—	Термистор (темп. обратной воды Зоны 1) (Опция)*1	
THW8	TBI.5 3-4	—	Термистор (темп. прямой воды Зона 2) (Опция) *1	PAC-TH011-E
THW9	TBI.5 1-2	—	Термистор (темп. обратной воды Зоны 2) (Опция)*1	
THW10	TBI.6 5-6	—	Термистор (Темп. воды смесительного бака) (Опция) *1	PAC-TH012HT-E(5 m)/ PAC-TH012HTL-E(30 m)
THWB1	TBI.6 7-8	—	Термистор (темп. прямой воды бойлера) (Опция) *1	

Прокладывайте провода термисторов удаленно от линии питания и (или) линий OUT1... OUT16.

*1. Максимальная длина проводов термисторов 30 м. При подключении проводов к соседним клеммам используйте кольцевые наконечники и изолируйте провода. Длина проводки дополнительных термисторов 5 м. При соединении и удлинении проводов необходимо соединять провода с помощью пайки и изолировать каждую клемму от пыли и воды.

- 1) Спаяйте провода.
- 2) Заизолируйте каждую точку соединения во избежание попадания пыли и воды.

5 Настройка системы

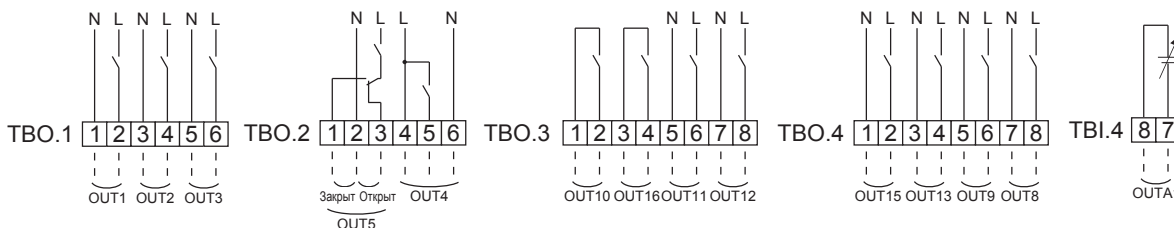
Выходы сигналов

Символ	Клеммная колодка	Разъем	Позиция	Выкл	Вкл	Сигнал/Максимальный ток	Макс. суммарный ток
OUT1	TBO.1 1-2	CNP1	Выход водяного циркуляционного насоса 1 (Отопление/охлаждение и ГВС)	Выкл	Вкл	230 В пер. тока, 1,0 А макс. (Пусковой ток 40 А макс.)	4,0 А (а)
OUT2	TBO.1 3-4	—	Выход водяного циркуляционного насоса 2 (Отопление/охлаждение Зона 1)	Выкл	Вкл	230 В пер. тока, 1,0 А макс. (Пусковой ток 40 А макс.)	
OUT3	TBO.1 5-6	—	Выход водяного циркуляционного насоса 3 (Отопление/охлаждение Зона 2) *1 Выход 2-ходового клапана 2b *2	Выкл	Вкл	230 В пер. тока, 1,0 А макс. (Пусковой ток 40 А макс.)	
OUT14	—	CNP4	Выход водяного циркуляционного насоса 4 (ГВС)	Выкл	Вкл	230 В пер. тока, 1,0 А макс. (Пусковой ток 40 А макс.)	
OUT4	TBO.2 4-6	CNV1	Выход 3-ходового клапана (2-ходовой клапан 1)	Отопление	ГВС	230 В пер. тока, 0,1 А макс.	3,0 А (b)
	—	CN851	Выход 3-ходового клапана				
OUT5	TBO.2 1-2 TBO.2 2-3	—	Выход смесительного клапана *1	Остановка	Закрыт Открыт	230 В пер. тока, 0,1 А макс.	
OUT6	—	CNBH 1-3	Выход проточного нагревателя 1	Выкл	Вкл	230 В пер. тока, 0,5 А макс. (реле)	
OUT7	—	CNBH 5-7	Выход проточного нагревателя 2	Выкл	Вкл	230 В пер. тока, 0,5 А макс. (реле)	
OUT8	TBO.4 7-8	—	Выход сигнала охлаждения	Выкл	Вкл	230 В пер. тока, 0,5 А макс. (реле)	
OUT9	TBO.4 5-6	CNIH	Выход погружного нагревателя	Выкл	Вкл	230 В пер. тока, 0,5 А макс. (реле)	
OUT11	TBO.3 5-6	—	Выход ошибки	Норма	Ошибка	230 В пер. тока, 0,5 А макс.	
OUT12	TBO.3 7-8	—	Выход оттаивания	Норма	Оттаивание	230 В пер. тока, 0,5 А макс.	
OUT13	TBO.4 3-4	—	Выход 2-ходового клапана 2a *2	Выкл	Вкл	230 В пер. тока, 0,1 А макс.	
OUT15	TBO.4 1-2	—	Сигнал включения компрессора	Выкл	Вкл	230 В пер. тока, 0,5 А макс.	
OUT10	TBO.3 1-2	—	Выход бойлера	Выкл	Вкл	сухой контакт • 220-240 В пер. тока, (30 В пост. тока) 0,5 А или менее • 10 мА, 5 В пост. тока или более	—
OUT16	TBO.3 3-4	—	Сигнал ВКЛ. термостата обогрева/охлаждения	Выкл	Вкл		—
OUTA1	TBI.4 7-8	—	Аналоговый выход	0 V-10 V		0-10В пост. тока 5mA макс.	—

Не подключайтесь к клеммам, обозначенным «—» в ячейках столбца «Клеммная колодка».

*1. Для 2-зонного отопления.

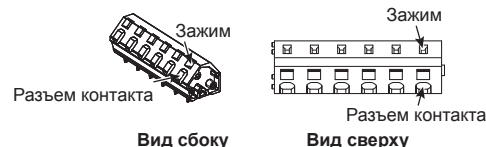
*2. Для 2-зонного регулирования двухходовыми клапанами.



Характеристики кабеля (приобретается отдельно)

Позиция	Наименование	Модель и характеристики
Функция внешнего выхода	Кабель выхода	Экранированный кабель. Максимальная длина кабеля 30 м. Тип кабеля: CV, CVS или подобный. Площадь сечения кабеля: многожильный от 0,25 мм ² до 1,5 мм ² , одножильный от 0,25 мм ² до 1,5 мм ² .

Использование TBO.1 ... 4



Подключите в соответствии с одной из указанных выше схем.

<Рисунок 5.2.2>

Примечания:

- При электроснабжении гидромодуля от наружного блока, максимальный суммарный ток (а) + (b) = 3,0 А.
- Не подключайте несколько водяных циркуляционных насосов непосредственно к каждому выходу (OUT1, OUT2 и OUT3). В этом случае подключите их через реле.
- Не подключайте водяные циркуляционные насосы к TBO.1 1-2 и CNP1 одновременно.
- Подключите соответствующий разрядник к OUT10 (TBO.3 1-2) в зависимости от нагрузки на месте.
- Многожильные провода должны быть изолированы (в соответствии со стандартом DIN46228-4).
- Используйте то же, что и в случае с проводом сигнального входа для OUTA1.

5.3 Электрические соединения для двухзонного отопления

Подключите трубопроводы и части, приобретаемые отдельно, в соответствии со схемой контура, показанной в п. «Местная система» раздела 3 настоящего руководства.

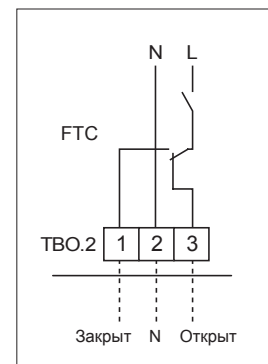
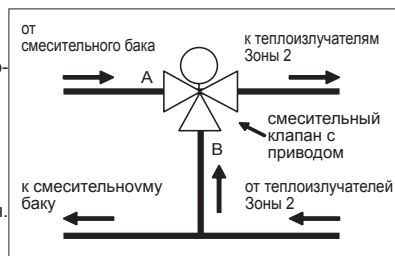
<Смесительный клапан>

Подключите сигнальную линию для открытия порта А (порт входа горячей воды) к TBO. 2-3 (открыт), сигнальную линию для открытия порта В (порт входа холодной воды) к TBO. 2-1 (закрыт) и нейтральный провод к TBO. 2-2 (N).

<Термистор>

- Не устанавливайте термисторы на смесительный бак.
- Установите термистор температуры потока Зоны 2 (THW8) вблизи смесительного клапана.
- Максимальная длина провода термистора — 30 м.
- Длина проводки дополнительных термисторов — 5 м. При соединении и удлинении проводов необходимо выполнить следующее.

- Спаяйте провода.
- Заизолируйте каждую точку соединения во избежание попадания пыли и воды.



5 Настройка системы

5.4 Работа только гидромодуля (при установке)

В случае, когда работа режима ГВС или отопления необходима до подключения наружного блока, например, во время монтажных работ, может быть использован электронагреватель гидромодуля (*1).

*1. Только модели с электронагревателем.

1. Запуск
 - Убедитесь, что питание гидромодуля выключено и установите DIP-переключатели 4-4 и 4-5 в положение Вкл (ON).
 - Включите питание гидромодуля.
 2. Отключение *2
 - Выключите питание гидромодуля.
 - Установите DIP-переключатели 4-4 и 4-5 в положение Выкл (OFF).
- *2 После завершения работы только гидромодуля, обязательно проверьте настройки, после подключения наружного блока.

Примечание:

Длительная работа в этом режиме может влиять на срок службы электронагревателя.

5.5 Использование SD-карты памяти

FTC гидромодуля оборудован разъемом для SD-карты памяти.

Используя SD-карту памяти можно упростить основные настройки главного контроллера и сохранять рабочие данные. *1

*1 Для изменения настроек главного контроллера или проверки рабочих параметров необходим сервисный инструмент Ecodap (используется с ПК).

<Меры предосторожности>

1. Используйте SD-карту памяти, соответствующую стандартам SD. Убедитесь, что на карте памяти есть один из логотипов, показанных справа.
2. Стандарту SD-карт соответствуют SD, SDHC, miniSD, microSD и microSDHC карты памяти. Допустимый объем памяти до 32 Гб. Используйте карту с максимально допустимой температурой 55°C.
3. При использовании SD-карты памяти формата miniSD, miniSDHC, microSD или microSDHC необходим адаптер.
4. Перед записью на SD-карту памяти снимите переключатель защиты записи.



5. Перед установкой или извлечением SD-карты памяти убедитесь, что питание системы выключено. При установке или извлечении SD-карты памяти при включенной системе, сохраненные данные могут быть искажены и есть риск повреждения карты памяти.

*SD-карта памяти находится под напряжением некоторое время после выключения системы. Перед установкой или извлечением карты памяти дождитесь, когда погаснут все индикаторы на плате управления FTC.

6. Операции чтения и записи были проверены с помощью SD-карт памяти, указанных ниже. Однако эти операции не всегда гарантированы, так как характеристики карт памяти могут изменяться.

Производитель	Модель	Проверено в
Verbatim	#44015	03. 2012
SanDisk	SDSDB-002G-B35	10. 2011
Panasonic	RP-SDP04GE1K	10. 2011
Arvato	2GB PS8032 TSB 24nm MLC	06. 2012
Arvato	2GB PS8035 TSB A19nm MLC	07. 2014
SanDisk	SDSDUN-008G-G46	10. 2016
Verbatim	#43961	10. 2016
Verbatim	#44018	10. 2016
VANTASTEK	VSDHC08	09. 2017

Перед использованием новой SD-карты памяти (включая карту, поставляемую вместе с устройством), всегда проверяйте, что SD-карта памяти надежно читается, а данные записываются контроллером FTC.

Как проверить операции чтения и записи

- а) Проверьте правильность подключения электропитания к системе. Подробности см. в разделе 4.4. (Не включайте питание системы в этом месте.)
- б) Вставьте SD-карту памяти.
- в) Включите систему.
- д) Индикатор LED4 включится, если операции чтения и записи успешно завершатся. Если LED4 продолжает мигать или не горит, SD-карта не читается контроллером FTC.

7. Обязательно следуйте инструкциям и требованиям производителя SD-карты памяти.
8. Отформатируйте SD-карту памяти, если она определяется нечитаемой на шаге 6. Это может сделать карту читаемой. Скачать программу для форматирования карты памяти можно с сайта: <https://www.sdcard.org/home/>
9. FTC поддерживает файловую систему FAT, но не поддерживает NTFS.
10. Mitsubishi Electric не несет ответственности за любые повреждения, в целом или частично, включая неполадки записи данных на SD-карты памяти, искажение и потерю сохраненных данных или подобное. Резервируйте сохраненные данные по мере необходимости.
11. Не касайтесь никаких электронных частей на плате управления FTC при установке или извлечении SD-карты памяти. В противном случае возможен отказ платы управления.

Логотипы



Емкость

от 2 Гб до 32 Гб *2

Классы скорости SD

Все

Логотип SD - торговая марка SD-3C, LLC.
Логотип miniSD - торговая марка SD-3C, LLC.
Логотип microSD - торговая марка SD-3C, LLC.

*1. Для изменения настроек главного контроллера или проверки рабочих параметров необходим сервисный инструмент Ecodap (используется с ПК).

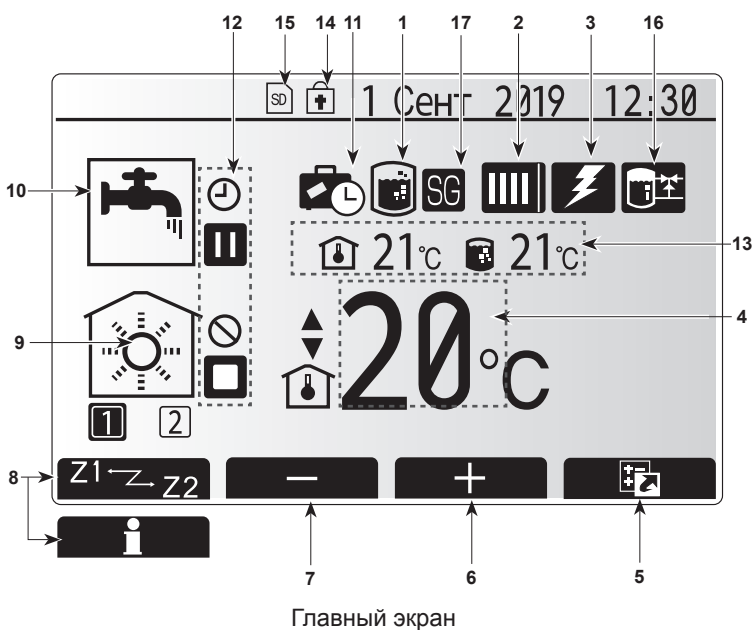
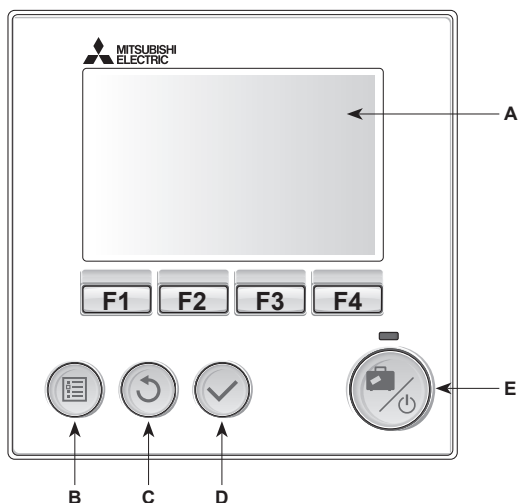
*2. На SD-карте памяти емкостью 2 Гб хранятся рабочие данные (логи) за 30 дней.

5 Настройка системы

5.6 Главный контроллер

Для изменения настроек системы обогрева/охлаждения используйте основной контроллер, который находится на передней панели гидромодуля или гидроблока. Для просмотра основных настроек воспользуйтесь следующими рекомендациями. За более подробной информацией обращайтесь в организацию, отвечающую за монтаж, или к дилеру Mitsubishi Electric.

Режим охлаждения доступен только для серии ERS. При этом режим охлаждения недоступен, когда внутренний блок подключен к PУHЗ-FRP.



<Компоненты главного контроллера>

Символ	Наименование	Функция
A	Экран	Экран отображения всей информации.
B	Меню	Доступ к настройкам системы для начальной установки и редактирования.
C	Назад	Возврат в предыдущее меню.
D	Подтвердить	Используется для выбора или сохранения (Ввод).
E	Питание/режим отпуска	Если система отключена, нажатие кнопки один раз включит систему. Повторное нажатие при включенной системе активирует режим отпуска. Удержание кнопки нажатой в течение 3 секунд выключит систему. (*1)
F1-4	Функциональные кнопки	Используются для прокрутки меню и регулировки параметров. Функция определяется экранным меню, видимым на экране A.

*1. Когда система выключена или питание отключено, функции защиты внутреннего блока (например, защита от замерзания) не будут работать. Учтите, что без включения этих защитных функций внутренний модуль может быть поврежден.

<Символы главного экрана>

Символ	Символ	Описание
1	Режим обеззараживания	Когда отображается этот символ, активирован режим обеззараживания (профилактика легионеллы).
2	Тепловой насос	Работает тепловой насос.
		Оттаивание.
		Экстренное отопление.
		Включен бесшумный режим.
3	Электрический нагреватель	Этот символ отображает использование «электрического нагревателя» (погружного или проточного)
4	Целевая температура	Целевая температура потока.
		Целевая температура в помещении.
		Погодозависимое отопление.
5	Опции	При нажатии функциональной кнопки под этим символом будет отображаться меню быстрого просмотра.
6	+	Увеличение целевой температуры.
7	-	Уменьшение целевой температуры.
8	Z1-Z2	Нажатие функциональной кнопки под этим символом переключает между Зонай 1 и Зонай 2.
		Информация
9	Режим отопления/охлаждения	Режим отопления Зоны 1 и Зоны 2
		Режим охлаждения Зоны 1 и Зоны 2
10	Режим ГВС	Стандартный или Экономичный режим.
11	Режим отпуска	Отображается при активном «режиме отпуска».
12	Таймер	
	Запрет	
	Контроль сервера	
	Режим ожидания	
	Режим ожидания (*2)	
	Остановка	
	Работа	
13	Текущая температура	Текущая комнатная температура
		Текущая температура воды в баке ГВС
14		Кнопка меню заблокирована или переключение режима работы между ГВС и Отоплением отключено в окне Опции. (*3)
15		Вставлена SD-карта памяти (НЕ ПРЕДНАЗНАЧЕНА для пользователя).
16	Контроль буферной емкости	Когда отображается этот символ, активирован режим «Контроль буферной емкости».
17	Умные сети электроснабжения	Когда отображается этот символ, активирован режим «Умные сети электроснабжения».

*2. Данное устройство в режиме ожидания во время приоритетной работы другого (других) блока.

*3. Чтобы заблокировать или разблокировать Меню нажмите кнопки «Назад» и «Подтвердить» одновременно в течение 3 секунд.

5 Настройка системы

■ [Мастер начальной настройки]

При первом включении главного контроллера автоматически поочередно включаются экран установки языка, экран установки даты и времени и экран меню с основными настройками. Введите требуемое число, используя функциональные клавиши, и нажмите ПОДТВЕРДИТЬ.

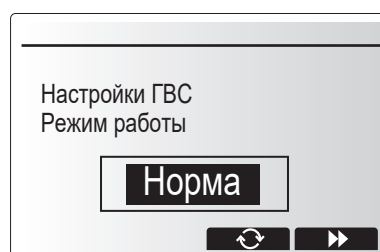
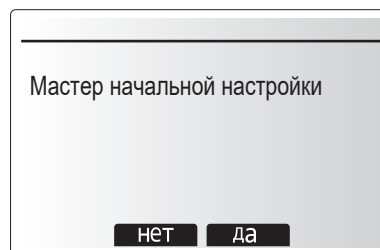
Примечание:

<ОГРАНИЧЕНИЕ МОЩНОСТИ НАГРЕВАТЕЛЯ>

Эта настройка ограничивает мощность прот. нагревателя. Эту настройку нельзя изменить после запуска.

Если в вашей стране нет специальных требований (например, соответствие строительным нормам), пропустите эту настройку (выберите «Нет»).

- [Горячая вода(ГВС)]
- [Отопление]/[Охлаждение]
- [Режим работы (ВКЛ/ЗАПРЕЩЕНО/ТАЙМЕР)]
- [Скорость насоса]
- [Диал прот способн тепл насоса]
- [Управ.смесительным клапаном]
- [ОГРАНИЧ МОЩНОСТИ НАГРЕВАТ]



■ Главное меню настроек

Главное меню настроек выводится при нажатии кнопки Меню. Для снижения риска случайного изменения настроек неопытными конечными пользователями, существует два уровня доступа к главным настройкам и защищенное паролем меню обслуживания.

Уровень Пользователей - короткое нажатие

Если кнопка Меню нажата один раз в течение короткого времени, будут отображаться главные настройки, но без функции редактирования. Это позволяет пользователю просматривать текущие настройки, но не изменять их параметры.

Уровень Установщиков - долгое нажатие

Если кнопку Меню нажать и удерживать в течение 3 секунд, отобразятся главные настройки с возможностью редактирования всех параметров.

Происходит инвертирование цвета кнопок ◀▶, как показано на рисунке справа <рис. 5.6.1>.

Следующие элементы можно просматривать и/или редактировать (в зависимости от уровня доступа).

- [Горячее Водоснабжение (ГВС)]
- [Отопление]/[Охлаждение]
- [Программируемый таймер]
- [Режим отпуска]
- [Начальные настройки]
- [Сервисное меню (защищено паролем)]



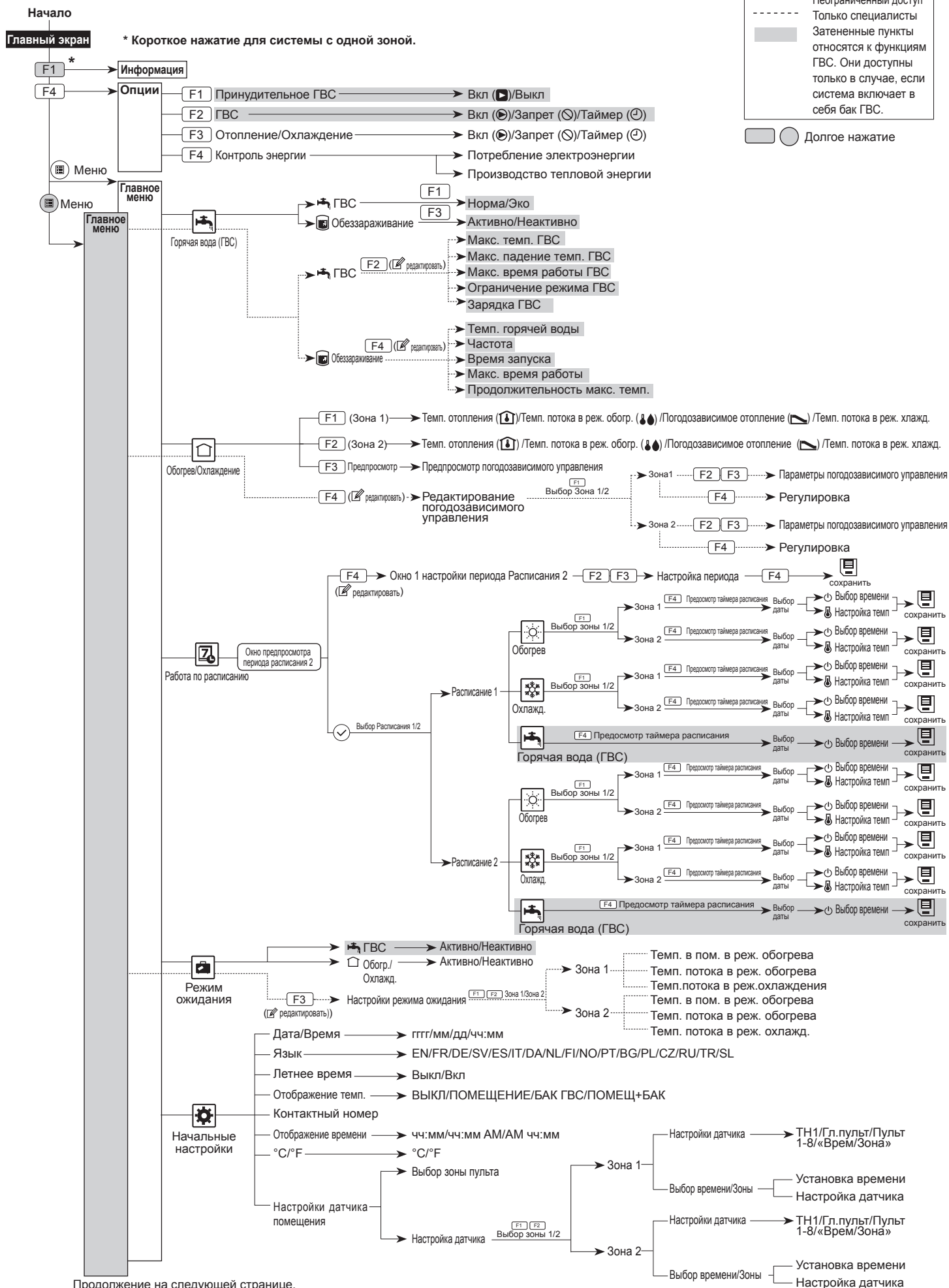
Главное меню



<Рисунок 5.6.1>

5 Настройка системы

<Дерево меню главного контроллера>

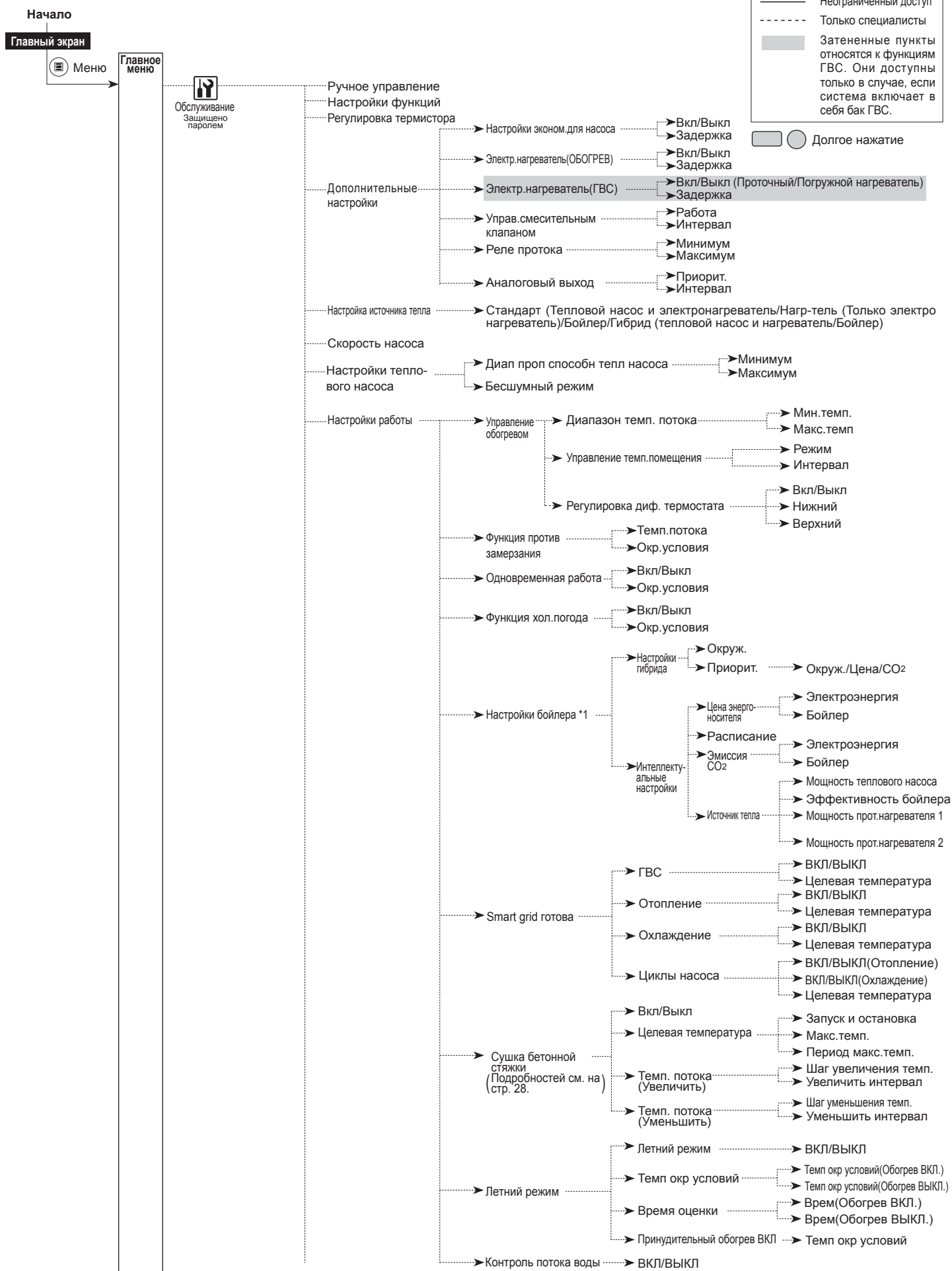


Продолжение на следующей странице.

5 Настройка системы

<Начало на предыдущей странице.>

<Дерево меню главного контроллера>



ru

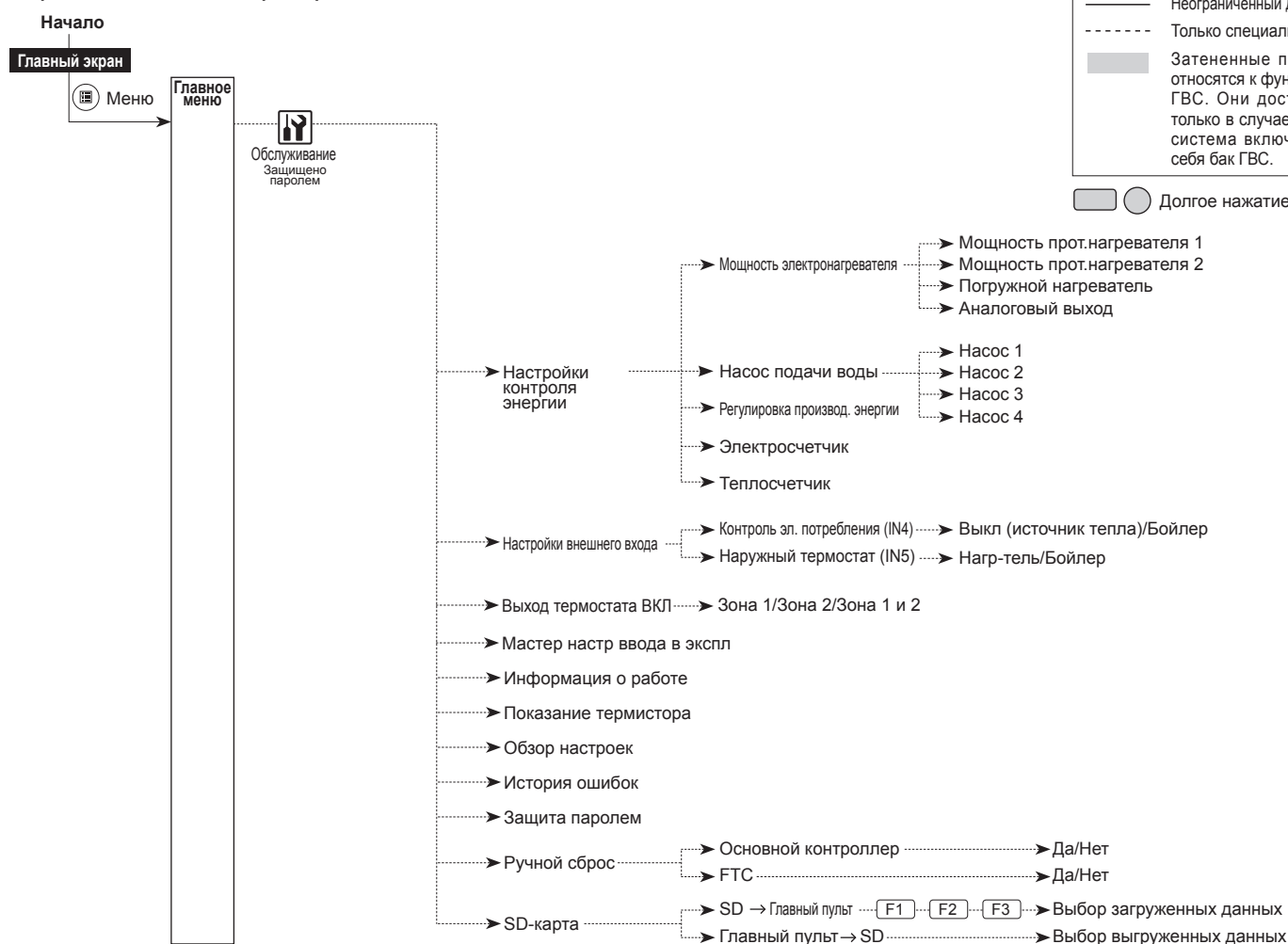
Продолжение на следующей странице.

*1. См. подробности в Руководстве по установке PAC-TH012HT(L)-E.

5 Настройка системы

<Начало на предыдущей странице.>

<Дерево меню главного контроллера>



Горячее водоснабжение (ГВС)/Режим обеззараживания

Меню режимов «Горячее водоснабжение» и «Режим обеззараживания» управляет нагревом бака ГВС.

<Настройка режима ГВС>

1. Выделите символ ГВС и нажмите Подтвердить.
2. Используйте кнопку F1 для переключения между Стандартным и Экономичным режимами.
3. Для изменения режима нажмите и удерживайте в течение 3 секунд кнопку Меню, затем выберите ГВС.
4. Нажмите кнопку F2 для отображения меню настройки ГВС.
5. Используйте кнопки F2 и F3 для прокрутки меню выбирая нужный компонент нажатием Подтвердить. См. таблицу ниже с описанием каждой настройки.
6. Введите нужное значение используя функциональные кнопки и нажмите Подтвердить.



Меню подзаголовков	Функция	Диапазон	Ед. изм.	По умолчанию
Макс. темп. ГВС	Желаемая температура воды в баке ГВС.	40 - 60	°C	50
Падение макс. темп. ГВС	Разница температуры между макс. температурой ГВС и температурой, при которой режим ГВС перезапускается.	5 - 30 *	°C	10
Макс. время работы ГВС	Макс. время, отведенное для нагрева воды в режиме ГВС.	30 - 120	минута	60
Ограничение режима ГВС	Период времени после режима ГВС, когда режим отопления имеет приоритет над режимом ГВС, временно предотвращая дальнейший нагрев воды. (Только когда макс. время работы ГВС прошло).	30 - 120	минута	30

* Когда макс. темп. ГВС установлена на значение выше 55 °C, в целях защиты устройства температура, при которой происходит перезапуск режима ГВС, должна быть меньше 50 °C.

<Экономичный режим>

Режим ГВС может работать как в стандартном, так и в экономичном режиме. При стандартном режиме вода в баке ГВС будет нагреваться быстрее, используя полную мощность теплового насоса. Экономичный режим занимает немного больше времени для нагрева воды в баке ГВС, но расход энергии снижается. Это происходит потому, что работа теплового насоса ограничивается сигналами от FTC на основе измерений температуры воды в баке ГВС.

Примечание:

Фактическая экономия энергии в экономичном режиме будет варьироваться согласно температуре наружного воздуха.

<[Зарядка ГВС]>

Выберите количество ГВС. Если вода нужна гораздо горячее, выберите «БОЛЬШОЙ».

Вернитесь в меню ГВС/режим обеззараживания.

5 Настройка системы

Настройка режима обеззараживания (профилактика легионеллы)

1. Используйте кнопку F3 для активации режима обеззараживания, Да/Нет.
2. Для редактирования функций режима нажмите и удерживайте в течение 3 секунд кнопку Меню и выберите «горячая вода», затем нажмите кнопку F4.
3. Используйте кнопки F1 и F2 для прокрутки меню, выбирая нужный подзаголовок нажатием кнопки Подтвердить. Смотрите таблицу ниже с описанием каждой настройки.
4. Введите желаемое значение используя функциональные кнопки и нажмите Подтвердить.

В режиме обеззараживания вода в баке нагревается до температуры выше 60°C, за счет этого происходит обеззараживание. Настоятельно рекомендуется делать это на регулярной основе. Используйте местные нормы по частоте нагрева.

Примечание: В случае неисправности гидромодуля, режим обеззараживания может работать неправильно.

При LP режиме кроме энергии теплового насоса, используются электронагреватели. Нагрев воды в течении длительного времени приводит к увеличению эксплуатационных расходов. Установщик должен очень внимательно настраивать параметры режима, избегая чрезмерного и излишне частого нагрева воды. В свою очередь, конечный пользователь должен понимать важность и необходимость этой процедуры.

Всегда соблюдайте местные нормы и правила в отношении профилактики легионеллы.

Подзаголовки меню	Функция	Диапазон	Ед. изм.	По умолчанию
Температура горячей воды	Желаемая температура горячей воды в баке ГВС.	60–70	°C	65
Частота	Время между нагревами бака горячей воды в режиме обеззараживания.	1–30	день	15
Время запуска	Время запуска режима обеззараживания.	0:00–23:00	-	03:00
Макс. время работы	Макс. время нагрева воды в баке в режиме обеззараживания.	1–5	час	3
Продолжительность макс. темп.	Период времени после достижения желаемой температуры воды в режиме LP	1–120	минута	30

[Начальные настройки]

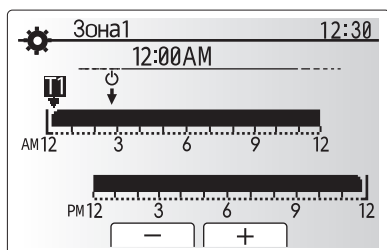
Из меню начальных настроек Установщик может настроить следующее:

- [Дата/Время] *Установите на местное стандартное время.
- [Язык]
- [Летнее время]
- [Отображение температуры]
- [Контактный номер]
- [Отображение времени]
- [°C/°F]
- [Настройки датчика в помещении]

Следуйте процедуре, описанной в разделе «Общие операции», для настройки.

<Настройки датчика в помещении>

Для настройки датчика в помещении важно выбрать верный комнатный датчик в зависимости от режима работы системы отопления.



Окно настройки расписания Время/Зона

Меню	Описание																			
Выбор зоны пульта управления	При активном двухзонном управлении температурой и подключенных беспроводных пультах в окне выбора зоны пульта управления выберите номер зоны, назначаемый каждому пульту управления.																			
Настройка датчика	В окне настройки датчика выберите датчик в помещении, который будет использоваться для контроля комнатной температуры отдельно в Зоне 1 и Зоне 2.																			
	Опции управления (руководстве на веб-сайте)	Соответствующие начальные настройки датчика в помещении																		
		<table border="1"> <thead> <tr> <th></th> <th>Зона 1</th> <th>Зона 2</th> </tr> </thead> <tbody> <tr> <td>A</td> <td>Пульты 1-8 (по одному для Зоны 1 и Зоны 2)</td> <td>*1</td> </tr> <tr> <td>B</td> <td>ТН1</td> <td>*1</td> </tr> <tr> <td>C</td> <td>Главный контроллер</td> <td>*1</td> </tr> <tr> <td>D</td> <td>*1</td> <td>*1</td> </tr> <tr> <td>При использовании разных датчиков согласно расписанию</td> <td>Время/Зона *2</td> <td>*1</td> </tr> </tbody> </table>		Зона 1	Зона 2	A	Пульты 1-8 (по одному для Зоны 1 и Зоны 2)	*1	B	ТН1	*1	C	Главный контроллер	*1	D	*1	*1	При использовании разных датчиков согласно расписанию	Время/Зона *2	*1
	Зона 1	Зона 2																		
A	Пульты 1-8 (по одному для Зоны 1 и Зоны 2)	*1																		
B	ТН1	*1																		
C	Главный контроллер	*1																		
D	*1	*1																		
При использовании разных датчиков согласно расписанию	Время/Зона *2	*1																		
<p>*1. Не указано (если используются термостаты, приобретаемые отдельно) Пульты 1-8 (по одному для Зоны 1 и Зоны 2) (если беспроводные пульты используются как комнатные термостаты).</p> <p>*2. В окне настройки датчика выберите Время/Зона, чтобы сделать возможным использование разных датчиков в помещениях согласно времени расписания, установленного в меню выбора времени/зоны. Комнатный датчик может быть включен до 4 раз в течение 24 часов.</p>																				

5 Настройка системы

[Сервисное] меню

Сервисное меню предоставляет функции для использования установщиком или сервисным инженером. Оно не предназначено для изменения настроек владельцем дома. По этой причине, для предотвращения несанкционированного доступа к сервисным настройкам, необходима защита доступа паролем.

Заводской пароль по умолчанию «0000».

Следуйте процедуре, описанной в разделе «Общие операции» для настройки.

Многие функции не могут быть установлены во время работы гидромодуля. Установщик должен выключить гидромодуль, прежде чем пытаться настроить эти функции. Если установщик попытается изменить настройки во время работы устройства, главный контроллер будет отображать напоминание, предлагающее установщику остановить работу устройства перед продолжением. При выборе «Да» устройство прекращает работу.

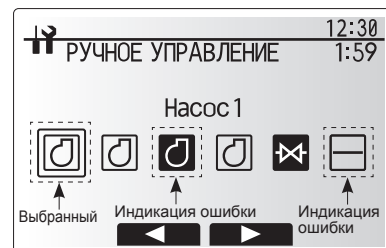
<[Ручной режим]>

Во время заполнения системы циркуляционный насос и 3-ходовой вентиль первичного контура могут быть переопределены вручную, с помощью ручного режима работы.

При выбранном ручном режиме на экране появляется небольшой символ таймера. Когда выбрана эта функция, она будет оставаться в ручном режиме не более 2 часов. Это сделано для предотвращения случайного постоянного переопределения ФТС.

► Пример.

Нажатие кнопки F3 включает ручной режим работы главного 3-ходового вентиля. Когда заполнение бака ГВС завершено, установщик должен снова получить доступ к этому меню и нажать F3 для деактивации ручного режима 3-ходового клапана. Другой вариант: через 2 часа ручной режим работы будет неактивен и ФТС возобновит управление гидромодулем.



Окно меню ручного режима

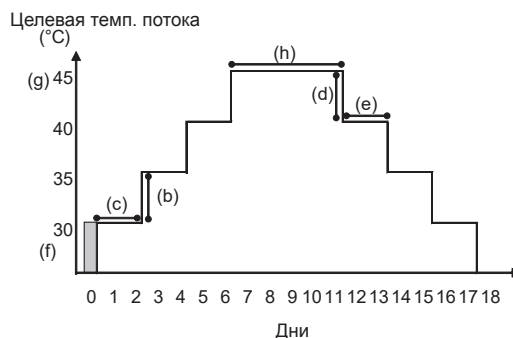
Ручной режим и настройка источника тепла не могут быть выбраны во время работы системы. Экран будет отображать обращение с запросом к установщику на остановку системы перед активацией этих режимов. Система автоматически останавливается через 2 часа, после последней операции.

<[Функция сушки бетонной стяжки]>

Функция сушки бетонной стяжки автоматически изменяет целевую температуру горячей воды в процессе постепенного высушивания бетона, когда установлен данный тип системы обогрева полов.

После завершения работы система останавливает все операции, кроме функции защиты от замерзания.

Для функции сушки бетонной стяжки целевая температура потока Зоны 1 такая же, как и для Зоны 2.



- Если подключен наружный блок PUNZ-FRP, эта функция недоступна.
- Отключите провод от входа комнатного термостата, регулятора электропотребления и наружного термостата, иначе целевая температура потока может не поддерживаться.

Функция	Символ	Описание	Диапазон	Ед. изм.	По умолчанию
Функция сушки бетонной стяжки	a	Включите функцию и включите систему с помощью главного контроллера, действие функции сушки полов будет запущено.	Вкл/Выкл	—	Выкл
Температура потока (увеличение)	b	Устанавливает шаг увеличения целевой температуры потока.	+1 - +10	°C	+5
	c	Устанавливает период, на который сохраняется одинаковая целевая темп. потока.	1 - 7	день	2
Температура потока (снижение)	d	Устанавливает шаг снижения целевой температуры потока.	-1 - -10	°C	-5
	e	Устанавливает период, на который сохраняется одинаковая целевая темп. потока.	1 - 7	день	2
Целевая температура	f	Устанавливает целевую темп. потока при запуске и окончании работы.	20 - 60	°C	30
	g	Устанавливает максимальную целевую темп. потока.	20 - 60	°C	45
	h	Устанавливает период, на который сохраняется одинаковая макс. темп. потока.	1 - 20	день	5

<[Защита паролем]>

Защита паролем используется для предотвращения несанкционированного доступа к сервисному меню неподготовленных лиц.

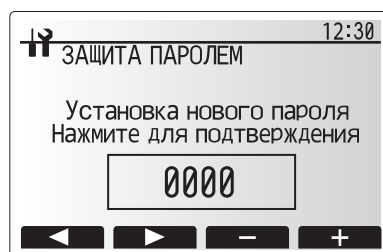
Сброс пароля

Если вы забыли введенный пароль или кто-то другой устанавливал пароль при обслуживании, Вы можете сбросить пароль до заводской настройки 0000.

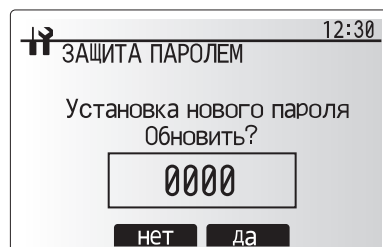
1. В меню главных настроек прокрутите функции вниз до выделения сервисного меню.
2. Нажмите Подтвердить.
3. Вам будет предложено ввести пароль.
4. Нажмите одновременно и удерживайте в течение 3 секунд кнопки F3 и F4.
5. Отображается запрос на продолжение и сброс пароля до заводских настроек.
6. Для сброса пароля нажмите F3.
7. Теперь пароль 0000.

<[Ручной сброс]>

С помощью функции ручного сброса возможно восстановление заводских настроек в любое время. Обратите внимание, что это приведет к сбросу к заводским настройкам ВСЕХ настроек.



Окно ввода пароля



Окно подтверждения пароля

6 Сервис и техническое обслуживание

Гидромодуль должен обслуживаться один раз в год квалифицированными специалистами. Сервис и техническое обслуживание наружного блока должны выполняться только авторизованными специалистами Mitsubishi Electric с соответствующим опытом и квалификацией. Любые электромонтажные

работы должны производиться только специалистами. Самостоятельное техническое обслуживание, ремонт пользователем или неавторизованными специалистами аннулирует гарантию и/или может привести к повреждению гидромодуля и травмам.

Коды неисправностей

Код	Неисправность	Действие
L3	Температура циркулирующей воды, защита от перегрева	Скорость потока может быть уменьшена по причинам: • Утечка воды • Блокировка фильтра • Функция циркуляционного насоса воды (код ошибки может отображаться при заполнении первичного контура. Завершите заполнение и сбросьте код ошибки.)
L4	Температура воды бака ГВС, защита от перегрева	Проверьте погружной нагреватель и его разъем.
L5	Неисправность термистора гидромодуля (THW1, THW2, THW5B, THW6, THW7, THW8, THW9)	Проверьте сопротивление термистора.
L6	Защита циркуляционной воды от замерзания	Смотрите действие для L3.
L8	Неисправность работы отопления	Проверьте и повторно прикрепите все термисторы, которые были смещены.
L9	Датчик протока (датчики 1, 2, 3) определяет низкий поток первичного контура	Смотрите действие для L3. Если датчик протока или реле протока не работает, замените его. Внимание: клапаны насоса могут быть горячими, будьте осторожны.
LA	Неисправность датчика давления	Проверьте кабель датчика давления на повреждения и надежность подключения.
LB	Защита от повышения давления	• Уменьшена скорость потока в контуре отопления. Проверьте водяной контур. • Забился пластинчатый теплообменник. Проверьте пластинчатый теплообменник. • Неисправен наружный блок. См. руководство по обслуживанию наружного блока.
LC	Температура циркулирующей воды бойлера, защита от перегрева	Проверьте, не превышает ли установленная температура бойлера, ограничение. (См. инструкцию к термисторам «PAC-TH012HT-E») Уменьшение скорости потока контура отопления от бойлера. Проверьте: • Утечка воды • Блокировка фильтра • Работу циркуляционного насоса воды.
LD	Неисправность термистора бойлера (THWB1)	Проверьте сопротивление термистора.
LE	Неисправность работы бойлера	Смотрите действия для L8. Проверьте состояние бойлера.
LF	Неисправность датчика протока	Проверьте кабель датчика протока на повреждения и надежность подключения.
LH	Защита циркулирующей воды бойлера от замерзания	Уменьшена скорость потока контура отопления от бойлера. Проверьте: • Утечка воды • Блокировка фильтра • Функция циркуляционного насоса воды.
LJ	Ошибка работы ГВС (тип внешнего пластинчатого теплообменника)	• Проверьте подключение термистора пониженной темп. воды бака ГВС (THW5B). • Уменьшена скорость потока в контуре санитарной воды. • Проверьте функции циркуляционного водяного насоса (первичный/санитарный).
LL	Ошибка настройки DIP-переключателей на плате управления FTC	Для работы бойлера убедитесь, что DIP SW1-1 установлен на Вкл. (с бойлером) и DIP SW2-6 установлен на Вкл. (со смесительным баком). Для 2-зонного управления температурой убедитесь, что DIP SW2-7 установлен на Вкл. (2-зоны) и DIP SW2-6 установлен на Вкл. (со смесительным баком).
LP	Выход за пределы диапазона пропускной способности для наружного блока теплового насоса	Проверьте монтаж. Таблица 4.3.1. Проверьте настройки контроллера (Меню обслуживания/Диап. проп. способн. тепл. насоса) Смотрите действия для L3.
P1	Неисправность термистора комнатной температуры (TH1)	Проверьте сопротивление термистора.
P2	Неисправность термистора температуры жидкого хладагента (TH2)	Проверьте сопротивление термистора.
P6	Защита от обмерзания пластинчатого теплообменника	Смотрите действие для L3. Проверьте количество хладагента.
J0	Ошибка коммуникации между FTC и приемником беспроводных сигналов	Проверьте соединительный кабель на повреждения и надежность подключения.
J1 - J8	Ошибка коммуникации между приемником беспроводного сигнала и пультом управления	Проверьте батарейки беспроводного пульта управления. Проверьте парность беспроводного приемника сигналов и пульта управления. Протестируйте беспроводную связь. (См. инструкцию беспроводной системы.)
E0 - E5	Ошибка коммуникации между главным контроллером и FTC	Проверьте соединительный кабель на повреждения и надежность соединений.
E6 - E8	Ошибка коммуникации между FTC и наружным блоком	Убедитесь, что наружный блок не выключен. Проверьте соединительный кабель на повреждения и надежность соединений. См. руководство по обслуживанию наружного блока.
E9	Наружный блок не принимает сигнал от внутреннего блока	Проверьте, что оба блока включены. Проверьте соединительный кабель и надежность соединений. См. руководство по обслуживанию наружного блока.
EE	Неправильная комбинация FTC и наружного блока	Проверьте комбинацию FTC и наружного блока.
U*, F*	Неисправность наружного блока	См. руководство по обслуживанию наружного блока.
A*	Ошибка связи M-NET	См. руководство по обслуживанию наружного блока.

Примечание: для сброса кодов неисправностей выключите систему. (Нажмите кнопку F4(RESET) на главном контроллере.)

6 Сервис и техническое обслуживание

■ Ежегодное обслуживание

Важно, чтобы обслуживание гидромодуля осуществлялось не реже одного раза в год квалифицированным специалистом. Все необходимые запасные части должны **ОБЯЗАТЕЛЬНО** приобретаться у компании Mitsubishi Electric (в целях безопасности).

НИКОГДА не отключайте защитные устройства и не используйте блок без полностью работоспособных защитных устройств.

Примечания:

- В течение первых двух месяцев с момента установки снимите и очистите сетчатый фильтр гидромодуля и другие фильтры, установленные с наружной стороны гидромодуля. Это особенно важно при установке на старые/уже существующие трубные системы.
- Клапан PRV (№ 11 на рис. 3.3 и 3.4) проверяется ежегодно, для этого ручку поворачивают вручную до начала выхода рабочей среды, очищая тем самым седло уплотнения.

В дополнение к ежегодному обслуживанию необходимо заменить или проверить некоторые части после определенного периода работы системы. Подробные инструкции смотрите в таблице ниже. Замена и проверка частей должна всегда производиться компетентными специалистами с соответствующей подготовкой и квалификацией.

Части, требующие регулярной замены

Части	Замена, каждые:	Возможные неисправности
Предохранительный клапан (3 бар) Воздухоотводчик (авто/ручной) Манометр	6 лет	Утечка воды

Части, требующие регулярной проверки

Части	Проверка, каждые:	Возможные неисправности
Предохранительный клапан (3 бар) Предохранительный клапан температуры и давления	1 год (поворачивание ручки вручную)	Фиксирование клапана PRV и разрыв расширительного бака
Погружной нагреватель	2 года	Утечка на землю вызывает активацию автоматического выключателя (нагреватель всегда ВЫКЛ)
Циркуляционный насос (Первичный контур)	20 000 ч (3 года)	Неисправность насоса

Части, повторное использование которых после обслуживания НЕ ДОПУСКАЕТСЯ

- * Уплотнительное кольцо
- * Прокладка

Примечания:

- Обязательно заменяйте прокладку насоса на новую при каждом обслуживании (каждые 20 000 часов использования или каждые 3 года).
- * Проверка предохранительного клапана (5 бар) не требуется, поскольку он не вступает в соприкосновение с водой, если исправен предохранительный клапан, настроенный на давление 3 бара.

■ Форма записи изменений в настройках

При изменении настроек по умолчанию запишите новые настройки в колонку «Новые». Это облегчит восстановление настроек в будущем при внесении изменений в систему или замене печатной платы.

Форма записи при вводе в эксплуатацию/настройке на месте

Окно главного контроллера		Параметры	По умолчанию	Новые	Прим.	
Главное	Темп. пом. в реж. обогрева Зона 1	10 - 30°C	20°C			
	Темп. пом. в реж. обогрева Зона 2 *14	10 - 30°C	20°C			
	Темп. потока в реж. обогрева Зона 1	20 - 60°C	45°C			
	Темп. потока в реж. обогрева Зона 2 *1	20 - 60°C	35°C			
	Темп. потока в реж. охлаждения Зона 1 *12	5 - 25°C	15°C			
	Темп. потока в реж. охлаждения Зона 2 *12	5 - 25°C	20°C			
	Погодозависимое отопление Зона 1	-9 - +9°C	0°C			
	Погодозависимое отопление Зона 2 *1	-9 - +9°C	0°C			
	Режим отпуска	Активен/Неактивен/Установка времени	—			
	Опции	Принудительная работа ГВС	Вкл/Выкл	—		
ГВС		Вкл/Выкл/Таймер	Вкл			
Обогрев/Охлаждение		Вкл/Выкл/Таймер	Вкл			
Контроль энергопотребления		Потребление энергии/Производство энергии	—			
Настройки	ГВС *13	Режим работы	Норма/Экономичный *16	Норма		
		Макс. темп. ГВС	40 - 60°C *2	50°C		
		Макс. падение температуры ГВС	5 - 30°C	10°C		
		Макс. время работы ГВС	30 - 120 мин	60 минут		
		Ограничение работы ГВС	30 - 120 мин	30 минут		
		Зарядка ГВС	Большой/Стандартный	Большой *19		
		Активно	Да/Нет	Да		
	Профилактика легионеллы *13	Температура горячей воды	60 - 70°C *2	65°C		
		Частота	1 - 30 дней	15 дней		
		Время запуска	00:00 - 23:00	03:00		
		Макс. время работы	1 - 5 ч	3 часа		
		Продолжительность макс. температуры	1 - 120 мин	30 минут		
		Обогрев/охлаждение *12	Режим работы Зона 1	Темп. в пом. в реж. обогрева/ Темп. потока в реж. обогрева/ Погодозависим. отопление/Темп. потока в реж. охлаждения	Темп. помещения	
			Режим работы Зона 2 *1	Темп. в пом. в реж. обогрева/ Темп. потока в реж. обогрева/ Погодозависим. отопление/Темп. потока в реж. охлаждения	Погодозависимое управление	
	Погодозависимое управление	Значения высокой температуры потока	Наруж. темп. окр. условий Зона 1	-30 - +33°C *3	-15°C	
			Температура потока Зона 1	20 - 60°C	50°C	
			Наруж. темп. окр. условий Зона 2 *1	-30 - +33°C *3	-15°C	
			Температура потока Зона 2 *1	20 - 60°C	40°C	
		Значения низкой температуры потока	Наруж. темп. окр. условий Зона 1	-28 - +35°C *4	35°C	
Температура потока Зона 1			20 - 60°C	25°C		
Наруж. темп. окр. условий Зона 2 *1			-28 - +35°C *4	35°C		
Температура потока Зона 2 *1			20 - 60°C	25°C		
Регулировка		Наруж. темп. окр. условий Зона 1	-29 - +34°C *5	—		
		Температура потока Зона 1	20 - 60°C	—		
	Наруж. темп. окр. условий Зона 2 *1	-29 - +34°C *5	—			
Режим отпуска	ГВС *13	Активно/Неактивно	Неактивно			
		Обогрев/охлаждение *12	Активно/Неактивно	Активно		
	Темп. пом. в реж. обогрева Зона 1	10 - 30°C	15°C			
		Темп. пом. в реж. обогрева Зона 2 *14.	10 - 30°C	15°C		
		Темп. потока в реж. обогрева Зона 1	20 - 60°C	35°C		
		Темп. потока в реж. обогрева Зона 2 *1	20 - 60°C	25°C		
		Темп. потока в реж. охлаждения Зона 1 *12	5 - 25°C	25°C		
		Темп. потока в реж. охлаждения Зона 2 *12	5 - 25°C	25°C		

(Продолжение на следующей странице.)

■ Форма записи изменений в настройках

Форма записи при вводе в эксплуатацию/настройке на месте

Окно главного контроллера		Параметры		По умолчанию	Новые	Прим.		
Настройки	Начальные настройки	Язык	EN/FR/DE/SV/ES/IT/DA/NL/FI/NO/PT/BG/PL/CZ/RU/TR/SL		EN			
		°C/°F	°C/°F		°C			
Летнее время		Вкл/Выкл		Выкл				
Отображение темп.		Комнатная/Бак ГВС/Комнатная и бак ГВС/Выкл		Выкл				
Отображение времени		чч:мм/чч:мм AM/AM чч:мм		чч:мм				
Настройка датчика в помещении Зона 1		ТН1/Гл. пульт/Пульт 1–8/«Время/Зона»		ТН1				
Настройка датчика в помещении Зона 2 *1		ТН1/Гл. пульт/Пульт 1–8/«Время/Зона»		ТН1				
Выбор зоны пульта управления *1		Зона 1/Зона 2		Зона1				
Меню обслуживания		Регулировка термистора	ТНW1	–10 - +10°C		0°C		
			ТНW2	–10 - +10°C		0°C		
	ТНW5B		–10 - +10°C		0°C			
	ТНW6		–10 - +10°C		0°C			
	ТНW7		–10 - +10°C		0°C			
	ТНW8		–10 - +10°C		0°C			
	ТНW9		–10 - +10°C		0°C			
	ТНW10		–10 - +10°C		0°C			
	ТНWB1		–10 - +10°C		0°C			
	Дополнительные настройки		Настройка экономичности насоса	Вкл/Выкл *6		Вкл		
		Задержка (3 - 60 мин)		10 минут				
		Электронагреватель (отопление)	Обогрев: Вкл (используется)/Выкл (не используется)		Вкл			
			Таймер задержки нагревателя (5 - 180 мин)		30 минут			
		Электронагреватель (ГВС) *13	Проточный нагреватель	ГВС: Вкл (используется)/Выкл (не используется)	Вкл			
			Погружной нагреватель	ГВС: Вкл (используется)/Выкл (не используется)	Вкл			
		Таймер задержки нагревателя (15 - 30 мин)				15 минут		
		Управ. смесительным клапаном	Работа (10 - 240 с)		120 секунд			
			Интервал (1 - 30 мин)		2 минуты			
		Датчик протока *18	Минимум (0 - 100 л/мин)		5 л/мин			
	Максимум (0 - 100 л/мин)		100 л/мин					
	Аналоговый выход	Интервал (1 - 30 мин)		5 минут				
		Приорит. (Норма/Высокий)		Норма				
	Скорость насоса	ГВС	Скорость насоса (1 - 5)		5			
		Обогрев/Охлаждение	Скорость насоса (1 - 5)		5			
	Настройка источника тепла		Стандартный/Нагреватель/Бойлер/Гибрид *7		Стандартный			
	Настройки теплового насоса	Диап. проп. способн. тепл. насоса	Минимум (0 - 100 л/мин)		5 л/мин			
			Максимум (0 - 100 л/мин)		100 л/мин			
		Бесшумный режим	День (Пн - Вс)		—			
Время			0:00 – 23:45					
Бесшумный уровень (Норма/Уровень 1/Уровень 2)			Норма					
Настройки работы	Управление отоплением *8	Диапазон темп. потока *10	Мин. температура (20 - 45°C)	30°C				
		Макс. температура (35 - 60°C)		50°C				
		Управление темп. помещения *15	Режим (Норма/Мощный)	Норма				
	Регулировка диф. термостата теплового насоса	Вкл/Выкл *6		Вкл				
		Нижний предел (–9 - –1°C)		–5°C				
		Верхний предел (+3 - +5°C)		5°C				
	Функция защиты от замерзания *11		Наруж. темп. окр. условий (3 - 20°C) / **		5°C			
	Одновременная работа (ГВС/Отопление)		Вкл/Выкл *6		Выкл			
	Функция хол. погода		Наруж. темп. окр. условий (–30 - +10°C) *3		–15°C			
			Вкл/Выкл *6		Выкл			
	Работа бойлера		Наруж. темп. окр. условий (–30 - –10°C) *3		–15°C			
			Гибридные настройки	Наруж. темп. окр. условий (–30 - +10°C) *3		–15°C		
				Режим приоритета (Окр. условия/Цена/CO ₂) *17		Окр. условия		
				Рост наруж. темп. окр. условий (+1 - +5°C)		+3°C		
			Интеллектуальные настройки	Цена энергии *9	Электроэнергия (0,001 - 999 */кВтч)	0,5 */кВтч		
Бойлер (0,001 - 999 */кВтч)					0,5 */кВтч			
Эмиссия CO ₂				Электроэнергия (0,001 - 999 кг -CO ₂ /кВтч)		0,5 кг -CO ₂ /кВтч		
				Бойлер (0,001 - 999 кг -CO ₂ /кВтч)		0,5 кг -CO ₂ /кВтч		
	Источники тепла	Мощность теплового насоса (1 - 40 кВт)		11,2 кВт				
Эффективность бойлера (25 - 150 %)		80 %						
Мощность прот. нагревателя 1 (0 - 30 кВт)		2 кВт						
Мощность прот. нагревателя 2 (0 - 30 кВт)		4 кВт						

(Продолжение на следующей странице.)

■ Форма записи изменений в настройках

Форма записи при вводе в эксплуатацию/настройке на месте (продолжение предыдущей страницы)

Окно главного контроллера				Параметры		По умолчанию	Новые	Прим.
Меню обслуживания	Настройки работы	Умные сети электроснабжения	ГВС	Вкл/Выкл		Выкл		
				Целевая темп. (+1 - +20°C) / — (не активно)		—		
				Отопление	Вкл/Выкл		Выкл	
			Целевая темп.		Рекомендация включения (20 - 60°C)	50°C		
					Команда включения (20 - 60°C)	55°C		
			Охлажд.	Вкл/Выкл		Выкл		
				Целевая темп.	Рекомендация включения (5 - 25°C)	15°C		
					Команда включения (5 - 25°C)	10°C		
			Циклы насоса	Обогрев (Вкл/Выкл)		Вкл		
				Охлажд. (Вкл/Выкл)		Вкл		
				Интервал (10 – 120 мин)		10 минут		
			Настройки контроля энергии	Функция сушки бетонной стяжки	Вкл/Выкл *6		Выкл	
	Целевая темп.	Запуск/Остановка (20 - 60°C)			30°C			
		Макс. темп. (20 - 60°C)			45°C			
		Период макс. темп. (1 - 20 дней)			5 дней			
	Темп. потока (увеличение)	Шаг увеличения темп. (+1 - +10°C)			+5°C			
		Увеличить интервал (1 - 7 дней)			2 дня			
	Темп. потока (уменьшение)	Шаг уменьшения темп. (-1 - -10°C)			-5°C			
		Уменьшить интервал (1 - 7 дней)			2 дня			
	Летний режим	Вкл/Выкл			Выкл			
		Наруж. темп. окр. условий			Обогрев ВКЛ. (4 - 19°C)	10°C		
					Обогрев ВЫКЛ. (5 - 20°C)	15°C		
		Время оценки			Обогрев ВКЛ. (1 - 48 ч)	6 часов		
			Обогрев ВЫКЛ. (1 - 48 ч)	6 часов				
Принудительный обогрев ВКЛ. (-30 - 10°C)		5°C						
Контроль потока воды		Вкл/Выкл	Выкл					
Мощность электронагревателя	Мощность прот. нагревателя	Мощность прот. нагревателя 1	0 – 30 кВт	2 кВт				
		Мощность прот. нагревателя 2	0 – 30 кВт	4 кВт				
		Погружной нагреватель	0 – 30 кВт	0 кВт				
		Аналоговый выход	0 – 30 кВт	0 кВт				
Регулировка произвед. энергии		-50 - +50%	0%					
Насос подачи воды	Насос 1	0 – 200 Вт или *** (насос заводской установки)		***				
		Насос 2		0 – 200 Вт	0 Вт			
		Насос 3		0 – 200 Вт	0 Вт			
		Насос 4 *19		0 – 200 Вт	72 Вт			
Электросчетчик		0,1/1/10/100/1000 импульс/кВтч		1 импульс/кВтч				
Теплосчетчик		0,1/1/10/100/1000 импульс/кВтч		1 импульс/кВтч				
Настройки внешнего входа	Регулятор энергопотребления (IN4)		Источник тепла ВЫКЛ./Работа бойлера	Работа бойлера				
	Наружный термостат (IN5)		Работа нагревателя/Работа бойлера	Работа бойлера				
Выход термостата ВКЛ		Зона 1/Зона 2/Зона 1 и 2		Зона 1 и 2				

*1. Параметры, связанные с Зонай 2, могут быть включены только при включенном управлении температурой Зоны 2 (DIP SW2-6 и SW2-7 в положении ВКЛ.).

*2. Модели без проточного и погружного нагревателя могут не достигать целевой температуры в зависимости от температуры наружного воздуха.

*3. Нижний предел -15°C зависит от подключенного наружного блока.

*4. Нижний предел -13°C зависит от подключенного наружного блока.

*5. Нижний предел -14°C зависит от подключенного наружного блока.

*6. Вкл: функция активна; Выкл: функция неактивна.

*7. Если DIP SW1-1 установлен на ВЫКЛ.: «без бойлера» или SW2-6 установлен на ВЫКЛ.: «без смесительного бака», Бойлер и Гибрид не могут быть выбраны.

*8. Действует только при работе в режиме «Управление комнатной темп.».

9. «» в «*/кВтч» означает единицу валюты (€, £ или подобное).

*10. Действует только при работе в режиме «Температура помещения в режиме обогрева».

*11. При выборе звездочек «**» работа функции «Защита от замерзания» отключается (риск замерзания первичного контура).

*12. Настройки режима охлаждения доступны только для модели ERS *.

*13. Доступно, только если в системе имеется бак ГВС.

*14. Настройки, связанные с Зонай 2, можно включить только тогда, когда активно 2-зонное управление температурой или 2-зонное управление двухходовым клапаном.

*15. Когда DIP SW5-2 установлен на ВЫКЛ., данная функция активна.

*16. Когда гидромодуль подключен к наружному блоку PUMY-P, для данного режима установлено значение «Норма».

*17. Когда гидромодуль подключен к наружному блоку PUMY-P, для данного режима установлено значение «Окружающие условия».

*18. Не изменяйте настройку, так как она установлена согласно характеристикам реле потока, подключенного к гидромодулю.

*19. Эта настройка действительна только для гидромодулей.

1. Повідомлення щодо безпеки.....	2
2. Вступ.....	3
3. Технічна інформація	4
4. Установлення	11
4.1 Розташування.....	11
4.2 Якість води й підготовка системи	13
4.3 Водопровідні труби	14
4.4 Електричні з'єднання.....	16
5. Налаштування системи	18
5.1 Функції DIP-перемикачів	18
5.2 Підключення входів/виходів	19
5.3 Монтаж електропроводки для 2-зонного керування температурою.....	20
5.4 Робота тільки внутрішнього блоку (під час робіт з установлення).....	21
5.5 Використання картки пам'яті SD	21
5.6 Головний контролер	22
6. Технічне обслуговування.....	29



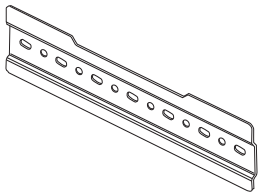
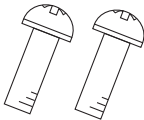
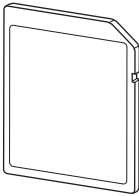
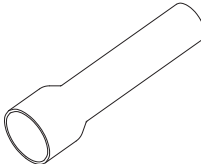
<http://www.mitsubishielectric.com/ldg/ibim/>

Щоб отримати додаткову інформацію, якої немає в цьому посібнику, перейдіть на зазначений вище веб-сайт, щоб завантажити посібники, виберіть назву моделі, а потім—мову.

Зміст посібника, доступного на веб-сайті

- Контроль енергії
- Кімнатний термостат
- Заповнення системи
- Проста 2-зонна система
- Незалежне джерело електропостачання
- Інтелектуальна мережа
- Бак ГВП для гідромодуля
- Опції дистанційного контролера
- Меню обслуговування (спеціальне налаштування)
- Додаткова інформація

Допоміжне приладдя (входить до комплекту)

Задня пластина	Гвинт M5×8	Картка пам'яті SD	З'єднувальна труба*
			
1	2	1	1

* Тільки серія E*SE

Терміни й аббревіатури

№	Скорочення/Терміни	Опис
1	Погодозалежне керування опаленням	Керування опаленням приміщень залежно від температури зовнішнього повітря
2	COP	Коефіцієнт енергоефективності теплового насоса (Coefficient of Performance)
3	Режим охолодження	Охолодження приміщень за допомогою фанкойлів або системи охолодження підлоги
4	Режим ГВП	Режим нагрівання гарячої води для побутових потреб (для душової kabіни, раковини тощо)
5	Температура потоку	Температура води, що надходить у первинний контур
6	Захист від замерзання	Режим керування опаленням для захисту від замерзання води у трубопроводі
7	FTC	Контролер температури потоку (Flow temperature controller) – плата керування системою
8	Режим опалення	Опалення приміщень за допомогою радіаторів або системи обігріву підлоги
9	Гідромодуль	Внутрішній блок із компонентами водопроводу (без баку ГВП)
10	Легіонела	Легіонела – бактерія, що є основним збудником легіонельозу. Може потрапити до водопроводу, душу, накопичувального баку
11	LP режим	Режим знезаражування (профілактика легіонели – Legionella prevention) – функція для систем з накопичувальним баком, призначена для запобігання збільшенню чисельності легіонели
12	Моноблочна модель	Пластинчастий теплообмінник (холодоагент – вода) у зовнішньому блоці теплового насоса
13	PRV	Клапан регулювання тиску (запобіжний клапан) (Pressure relief valve)
14	Температура зворотної води	Температура води на виході з первинного контуру
15	Модель типу спліт	Пластинчастий теплообмінник (холодоагент – вода) розташований у внутрішньому блоці
16	TRV	Термостатичний клапан радіатора (Thermostatic radiator valve) – клапан на вході або виході радіатора, що регулює теплову потужність

1 Повідомлення щодо безпеки

Уважно ознайомтеся з наведеними нижче заходами безпеки.



УВАГА.

Заходи безпеки, яких необхідно дотримуватися, щоб не допустити травмування або смерті.



ОБЕРЕЖНО.

Заходи безпеки, яких необхідно дотримуватися, щоб не допустити пошкодження пристрою.

Зберігайте цей посібник з установлення разом з посібником користувача після встановлення виробу для довідки в майбутньому. Mitsubishi Electric не несе відповідальності за несправність компонентів, установлених користувачем.

- Обов'язково виконуйте періодичне технічне обслуговування.
- Обов'язково дотримуйтесь місцевих норм і правил.
- Обов'язково дотримуйтесь інструкцій, наданих у цьому посібнику.

ЗНАЧЕННЯ СИМВОЛІВ, ЗОБРАЖЕНИХ НА ПРИСТРОЇ

	ПОПЕРЕДЖЕННЯ (ризик пожежі)	Цей знак стосується тільки холодоагенту R32. Тип холодоагенту зазначено на заводській паспортній табличці зовнішнього блока. Якщо тип холодоагенту є R32, це означає, що пристрій використовує займистий холодоагент. Витік холодоагенту або його контакт з вогнем чи опалювальним пристроєм призводить до утворення шкідливого газу і ризику пожежі.
		Уважно прочитайте ПОСІБНИК З ЕКСПЛУАТАЦІЇ перед початком експлуатації виробу.
		Фахівцям з технічного обслуговування необхідно уважно прочитати ПОСІБНИК З ЕКСПЛУАТАЦІЇ та ПОСІБНИК З УСТАНОВЛЕННЯ перед початком експлуатації виробу.
		Додаткову інформацію можна знайти в ПОСІБНИКУ З ЕКСПЛУАТАЦІЇ, ПОСІБНИКУ З УСТАНОВЛЕННЯ та інших подібних документах.

⚠️ ⚠️ ПОПЕРЕДЖЕННЯ

Механічне обладнання

Користувачеві заборонено встановлювати, розбирати, переміщувати, змінювати або ремонтувати гідромодуль і зовнішні блоки. Зверніться до вповноваженого фахівця з установлення або технічного фахівця. Неправильне встановлення пристрою або його модифікація після встановлення може призвести до протікання води, ураження електричним струмом або пожежі.

Зовнішній блок слід надійно зафіксувати на твердій рівній поверхні, яка здатна витримати його вагу.

Гідромодуль необхідно розміщувати на твердій вертикальній поверхні, яка здатна витримати вагу заповненого водою гідромодуля, щоб уникнути надмірного шумоутворення чи вібрації.

Не ставте під зовнішнім блоком або гідромодулем меблі або електроприлади.

Випускний трубопровід аварійних пристроїв гідромодуля має встановлюватися згідно з вимогами місцевого законодавства.

Необхідно використовувати лише приладдя й запасні частини, дозволені компанією Mitsubishi Electric. Установлення компонентів має здійснювати кваліфікований технічний фахівець.

Електричне обладнання

Усі електротехнічні роботи має виконувати кваліфікований технічний фахівець відповідно до місцевих норм та інструкцій, наведених у цьому посібнику.

Живлення пристроїв має здійснюватися через окреме джерело живлення. Необхідно використовувати правильну напругу й автоматичні вимикачі.

Електропроводка має відповідати вимогам державних норм і правил. З'єднання необхідно виконувати надійно і без надмірного навантаження на клеми.

Правильно заземліть пристрій.

Загальні вимоги

Не дозволяйте дітям і домашнім тваринам наближатися до гідромодуля і зовнішнього блока.

Не використовуйте гарячу воду, утворену тепловим насосом, безпосередньо для пиття або для приготування їжі. Це може призвести до захворювання.

Не ставьте на пристрій.

Не торкайтеся перемикачів вологими руками.

Щороку необхідно здійснювати перевірки технічного стану гідромодуля і зовнішнього блока, які повинен виконувати кваліфікований фахівець.

Не ставте на гідромодуль посудини з рідиною. Витікання або розливання рідини на гідромодуль може призвести до пошкодження пристрою та/або займання.

Не ставте на гідромодуль жодні важкі предмети.

Під час установлення, переміщення або обслуговування гідромодуля використовуйте тільки зазначений для теплового насоса холодоагент для заправлення трубопроводів холодоагенту. Не змішуйте його з будь-яким іншим холодоагентом і не допускайте потрапляння повітря в систему. Змішування повітря з холодоагентом може спричинити аномально високий тиск у трубопроводі холодоагенту й призвести до вибуху та інших небезпечних ситуацій.

Використання будь-якого іншого холодоагенту, відмінного від рекомендованого для цієї системи, призведе до механічних несправностей, збоїв у роботі системи або до виходу пристрою з ладу. У найгіршому випадку це може серйозно перешкодити забезпеченню безпечної роботи цього виробу.

У режимі опалення для запобігання ушкодженню опалювальних приладів надто гарячою водою встановіть цільову температуру потоку щонайменше на 2°C нижче максимально допустимої температури всіх опалювальних приладів. Для Зони 2 установіть цільову температуру потоку щонайменше на 5°C нижче максимально допустимої температури потоку всіх опалювальних приладів контуру Зони 2.

Не встановлюйте пристрій у місцях, де можуть утворюватися, витікати чи накопичуватися легкозаймисті гази. Накопичення легкозаймистого газу навколо пристрою може призвести до пожежі або вибуху.

Не використовуйте жодні засоби для прискорення процесу розморожування чи очищення, окрім рекомендованих виробником.

Пристрій необхідно зберігати в приміщенні, де немає постійних джерел займання (таких як відкрите полум'я, увімкнена газова плита чи ввімкнений електронагрівач).

Заборонено проколювати або спалювати пристрій.

Пам'ятайте, що холодоагенти можуть не мати запаху.

Трубопровід необхідно берегти від фізичного пошкодження.

Довжину установленого трубопроводу має бути зведено до мінімуму.

Необхідно дотримуватися державних норм і правил газової експлуатації.

Не закривайте іншими предметами жодних з необхідних вентиляційних отворів.

Не використовуйте низькотемпературний припіп у разі паяння труб холодоагенту.

uk

1 Повідомлення щодо безпеки

ОБЕРЕЖНО

Використовуйте для первинного контуру чисту воду, яка відповідає місцевим стандартам якості.

Зовнішній блок слід установлювати в місці з достатнім потоком повітря відповідно до схем у посібнику з установлення зовнішнього блока.

Гідромодуль слід установлювати всередині приміщення, щоб звести до мінімуму втрати тепла.

Довжина водопровідної труби первинного контуру між зовнішнім і внутрішнім блоком має бути мінімальною, щоб зменшити втрати тепла.

Забезпечте відведення конденсату від основи зовнішнього блока, щоб уникнути утворення калюж.

Видаліть якнайбільше повітря з водяного контуру.

Витік холодоагенту може спричинити удушення. Забезпечте вентиляцію відповідно до стандарту EN378-1.

Обов'язково ізолюйте зовнішню частину трубопроводів. Прямий контакт з неізольованим трубопроводом може призвести до опіків або обморожування.

Ніколи не кладіть батарейки до рота, щоб уникнути випадкового проковтування.

Проковтування батарейки може спричинити удушення та/або отруєння.

Якщо потрібно відключити електроживлення гідромодуля (або вимкнути систему) на тривалий час, воду необхідно злити.

Необхідно вжити запобіжних заходів проти гідравлічного удару, як-от установлення амортизатора гідравлічного удару на первинному контурі згідно з указівками виробника.

Щоб запобігти утворенню конденсату на опалювальних приладах, відрегулюйте температуру потоку належним чином, а також установіть нижню межу температури потоку на місці експлуатації.

Правила поводження з холодоагентом наведено в посібнику з установлення зовнішнього блока.

2 Вступ

Метою цього посібника з установлення є надання інструкцій компетентним особам щодо безпечного й ефективного встановлення та введення в експлуатацію системи гідромодуля. Цільовими читачами цього посібника є професійні сантехніки та/або технічні фахівці з холодильної техніки, які

успішно пройшли навчання роботи з продукцією Mitsubishi Electric і мають належну кваліфікацію для встановлення неventильованого гідромодуля ГВП відповідно до норм, що діють у конкретній країні.

Технічні характеристики виробу

Назва моделі	800 × 530 × 360 мм																										
	EHS-MED	EHS-VM2D	EHS-VM6D	EHS-VM9D	EHS-VM9ED	EHS-TM9D	ERSD-MED	ERSD-VM2D	ERSD-VM6D	ERSD-VM9D	EHS-MED	EHS-VM2D	EHS-VM6D	EHS-VM9D	EHS-VM9ED	EHS-TM9D	ERSC-MED	ERSC-VM2D	ERSC-VM2D	ERSC-VM9ED	ERSC-VM9ED	ERSC-MED	ERSC-VM2D	ERSC-VM9ED	ERSC-VM9ED		
Загальні габаритні розміри пристрою (висота × ширина × глибина)	800 × 530 × 360 мм																										
Вага (в порожньому стані)	36 кг	43 кг	44 кг	44 кг	40 кг	44 кг	38 кг	44 кг	44 кг	40 кг	47 кг	48 кг	48 кг	43 кг	48 кг	41 кг	48 кг	48 кг	41 кг	48 кг	64 кг	41 кг	48 кг	48 кг	64 кг	62 кг	
Вага (з заповненим станом)	38 кг	48 кг	49 кг	49 кг	45 кг	49 кг	39 кг	50 кг	50 кг	42 кг	53 кг	54 кг	54 кг	50 кг	54 кг	44 кг	54 кг	54 кг	44 кг	54 кг	74 кг	44 кг	54 кг	54 кг	72 кг	72 кг	
Об'єм води в контурі опалення в пристрої *1	1,7 кг	5,2 кг	5,2 кг	5,2 кг	5,2 кг	5,2 кг	1,7 кг	5,2 кг	5,2 кг	2,6 кг	6,1 кг	6,1 кг	6,1 кг	6,1 кг	6,1 кг	2,6 кг	6,1 кг	6,1 кг	2,6 кг	6,1 кг	10,0 кг	6,1 кг	6,1 кг	10,0 кг	10,0 кг		
Невентильований розширювальний бак (первинне опалення)	—	—	10 л	—	—	10 л	—	10 л	—	—	—	—	—	—	10 л	—	10 л	—	—	10 л	—	—	—	—	—		
Тиск підживлення	—	1 бар	—	—	—	1 бар	—	—	—	—	—	—	—	—	—	—	—	—	—	—	—	—	—	—	—		
Водяний контур (первинний)	1–80°C																										
Клапан регулювання тиску	0,3 МПа (3 бар)																										
Датчик потоку	Мін. потік 5,0 літр (Діапазон швидкості потоку води наведено у таблиці 4.3.1)																										
Термостат з ручним скиданням	—	90°C	—	—	—	—	—	—	—	—	—	—	—	—	—	—	—	—	—	—	—	—	—	—	—	90°C	
Проточний електронний нагрівач	—	121°C	—	—	—	—	—	—	—	—	—	—	—	—	—	—	—	—	—	—	—	—	—	—	—	121°C	
З'єднання	G1-A																										
Холодоагент (R32/R410A)	6,35 мм																										
Газ	12,7 мм																										
Температура потоку	20–60°C																										
Охолодження	—																										
Температура приміщення	10–30°C																										
Охолодження	—																										
Температура навколишнього середовища *2	0–35°C (відносна вологість ≤ 80%)																										
Зовнішня температура	Див. таблицю характеристик зовнішнього блока.																										
Охолодження	*3																										
Джерело живлення (фаза, напруга, частота)	~N, 230 В, 50 Гц																										
Автоматичний вимикач (у разі живлення від незалежного джерела)	10А																										
Джерело живлення (фаза, напруга, частота)	—	~N, 230 В, 50 Гц	3–, 400 В, 50 Гц	3–, 230 В, 50 Гц	~N, 230 В, 50 Гц	~N, 230 В, 50 Гц	—	~N, 230 В, 50 Гц	~N, 230 В, 50 Гц	~N, 230 В, 50 Гц	~N, 230 В, 50 Гц	~N, 230 В, 50 Гц	~N, 230 В, 50 Гц	~N, 230 В, 50 Гц	~N, 230 В, 50 Гц	~N, 230 В, 50 Гц	~N, 230 В, 50 Гц	~N, 230 В, 50 Гц	~N, 230 В, 50 Гц	~N, 230 В, 50 Гц	~N, 230 В, 50 Гц	~N, 230 В, 50 Гц	~N, 230 В, 50 Гц	~N, 230 В, 50 Гц	~N, 230 В, 50 Гц	~N, 230 В, 50 Гц	~N, 230 В, 50 Гц
Потужність	—	2 кВт	3кВт +4кВт	3кВт +6кВт	3кВт +6кВт	3кВт +6кВт	—	2кВт	2кВт +4кВт	2кВт	2кВт	2кВт +4кВт	2кВт +4кВт	3кВт +6кВт	3кВт +6кВт	3кВт +6кВт	—	2кВт	2кВт +4кВт	2кВт	2кВт +6кВт	2кВт +6кВт	3кВт +6кВт	3кВт +6кВт	3кВт +6кВт	3кВт +6кВт	
Струм	—	9 А	26 А	13 А	23 А	32 А	—	9 А	26 А	9 А	9 А	26 А	26 А	13 А	23 А	32 А	—	9 А	26 А	9 А	9 А	26 А	23 А	32 А	32 А	13 А	
Автоматичний вимикач	—	16 А	32 А	16 А	32 А	32 А	—	16 А	32 А	16 А	16 А	32 А	32 А	16 А	32 А	32 А	—	16 А	32 А	16 А	16 А	16 А	32 А	32 А	16 А	16 А	
Рівень звукової потужності	41 дБ(А)																										

<Таблиця 3.1>

*1 Це значення не враховує трубовід до розширювального бака.

*2 Умови навколишнього середовища мають бути безморозними.

*3 Див. таблицю характеристик зовнішнього блока (мін. 10°C).

Режим охолодження недоступний за низької температури зовнішнього повітря. Якщо ця система використовується в режимі охолодження за низької температури навколишнього середовища (10°C або нижче), існують ризики пошкодження пластинчастого теплообмінника замороженою водою.

Назва моделі	EHSE-YM9ED	EHSE-MED	ENRX-MED	ENRX-VM2D	ENRX-VM6D	ENRX-VM9D	ENRX-YM9ED
Загальні габаритні розміри пристрою (висота x ширина x глибина)	950 x 600 x 360 мм						
Вага (в порожньому стані)	63 кг	61 кг	28 кг	35 кг	37 кг	37 кг	32 кг
Вага (в заповненому стані)	73 кг	71 кг	29 кг	40 кг	41 кг	41 кг	37 кг
Об'єм води в контурі опалення в пристрої *1	10,0 кг	10,0 кг	1,0 кг	4,5 кг	4,5 кг	4,5 кг	4,5 кг
Невентильований розширювальний бак (первинне опалення)	Номінальний об'єм Тиск підживлення						
Водяний контур (первинний)	Керувальний термістор Клапан регулювання тиску						
Запо-біжний пристрій	Датчик потоку						
Точний електро-нагрівач	Термостат з ручним скиданням						
З'єднання	Захист від перегріву (для запобігання роботі без води)						
	Вода (первинний контур)	G1-1/2-B					
	Холодагент (R32/R410A)	Рідина Газ					
Діапазон цільової температури	Опалення	25,4 мм (паяння)					
	Охолодження	20-60°C					
	Опалення приміщення	10-30 °C					
Гарантований робочий діапазон	Температура навіколишнього середовища *2	0-35°C (відносна вологість ≤ 80%)					
	Зовнішня температура	Див. таблицю характеристик зовнішнього блока					
Електричні характеристики	Плата керування (включно з 4 насосами)	Джерело живлення (фаза, напруга, частота) Автоматичний вимикач (у разі живлення від незалежного джерела)					
	Протоочний електронагрівач	Джерело живлення (фаза, напруга, частота) Потужність Струм					
	Автоматичний вимикач	Автоматичний вимикач					
Рівень звукової потужності	45 дБ(А)						40 дБ(А)

<Таблиця 3.2>

*1 Це значення не враховує трубопровід до розширювального бака.

*2 Умови навіколишнього середовища мають бути безморозними.

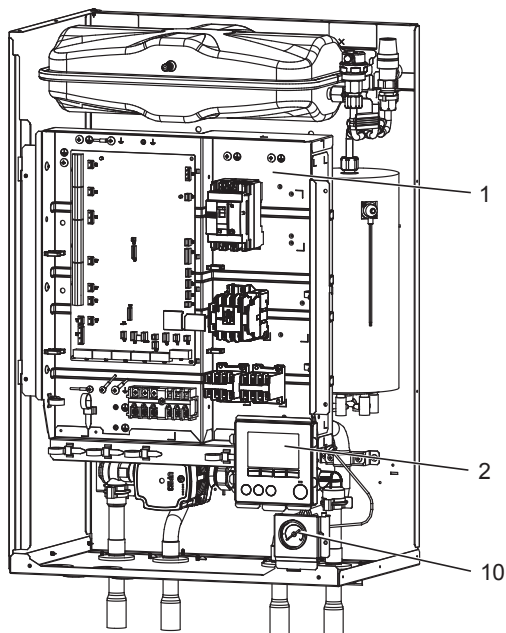
*3 Див. таблицю характеристик зовнішнього блока (мін. 10°C).

Режим охолодження недоступний за низької температури зовнішнього повітря. Якщо ця система використовується в режимі охолодження за низької температури навіколишнього середовища (10°C або нижче), існують ризики пошкодження пластинчастого теплообмінника замороженою водою.

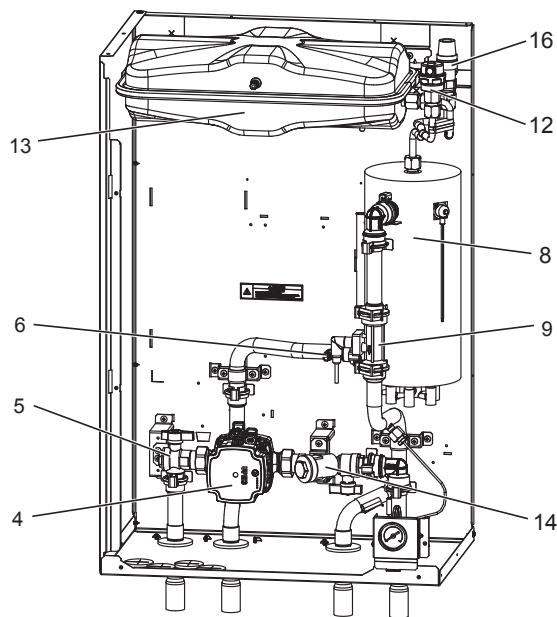
3 Технічна інформація

■ Компоненти

<EHPX-*M*D> (моноблочна модель)

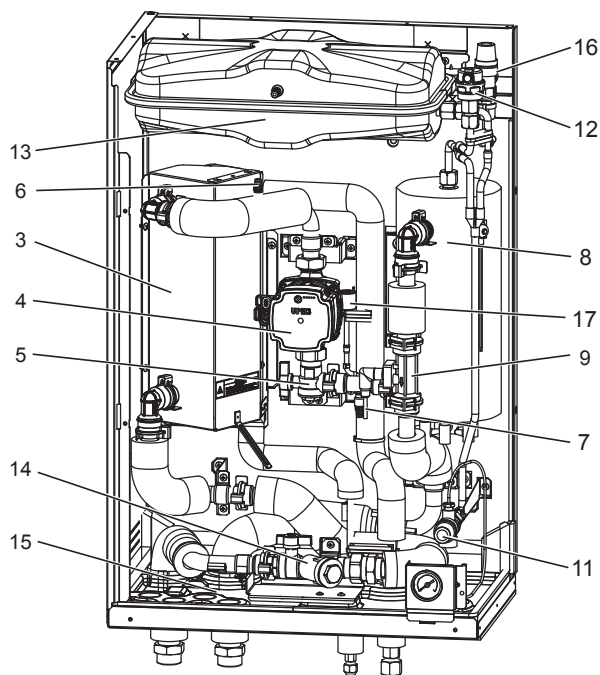


<Рис. 3.1>



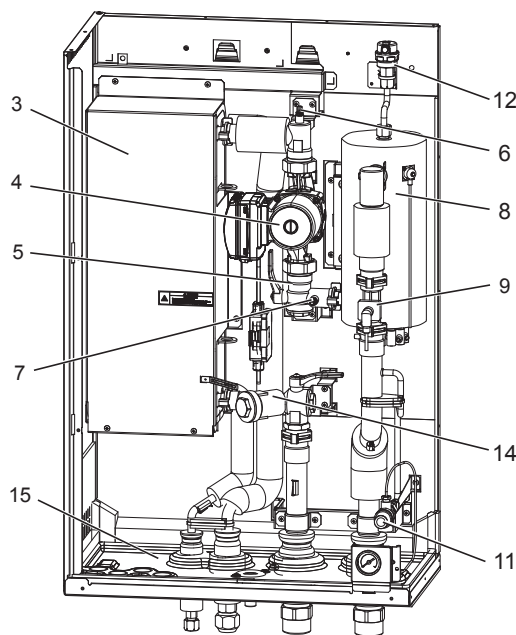
<Рис. 3.2>

<E*S*-*M**D> (Модель типу спліт)



<Рис. 3.3>

<E*SE-*M*ED>



<Рис. 3.4>

№	Назва компонента	EHPX-*M*(E)D	EHS*-MED	EHS-*M*D	EHS*-YM9ED	ERS*-*M*(E)D	ERS*-MED
1	Блок керування та розподільча коробка	✓	✓	✓	✓	✓	✓
2	Головний контролер	✓	✓	✓	✓	✓	✓
3	Пластинчастий теплообмінник (холодоагент – вода)	-	✓	✓	✓	✓	✓
4	Циркуляційний водяний насос 1	✓	✓	✓	✓	✓	✓
5	Клапан насоса	✓	✓	✓	✓	✓	✓
6	Канал для випуску повітря (ручний)	-	✓	✓	✓	✓	✓
7	Зливний кран (первинний контур)	✓	✓	✓	✓	✓	✓
8	Проточний електронагрівач 1,2	✓	-	✓	✓	✓	-
9	Датчик потоку	✓	✓	✓	✓	✓	✓
10	Манометр	✓	✓	✓	✓	✓	✓
11	Клапан регулювання тиску (3бар)	-	✓	✓	✓	✓	✓
12	Автоматичний канал для випуску повітря	✓	✓	✓	✓	✓	✓
13	Розширювальний бак	✓*1	-	✓	-	✓*2	-
14	Клапан фільтра грубого очищення	✓	✓	✓	✓	✓	✓
15	Дренажний піддон	-	-	-	-	✓	✓
16	Клапан регулювання тиску (5бар)	✓*1	-	✓	-	✓*2	-
17	Датчик тиску	-	✓*3	✓*3	✓*3	✓*3	✓*3

<Таблиця 3.3>

Примітка:

Під час установлення всіх моделей E***-*M*ED обов'язково встановити розширювальний бак відповідного розміру на стороні первинного контуру та додатковий PRV для запобігання розриванню розширювального бака на місці експлуатації. (Див. рис. 3.5–3.6 та 4.3.10 для отримання додаткових указівок)

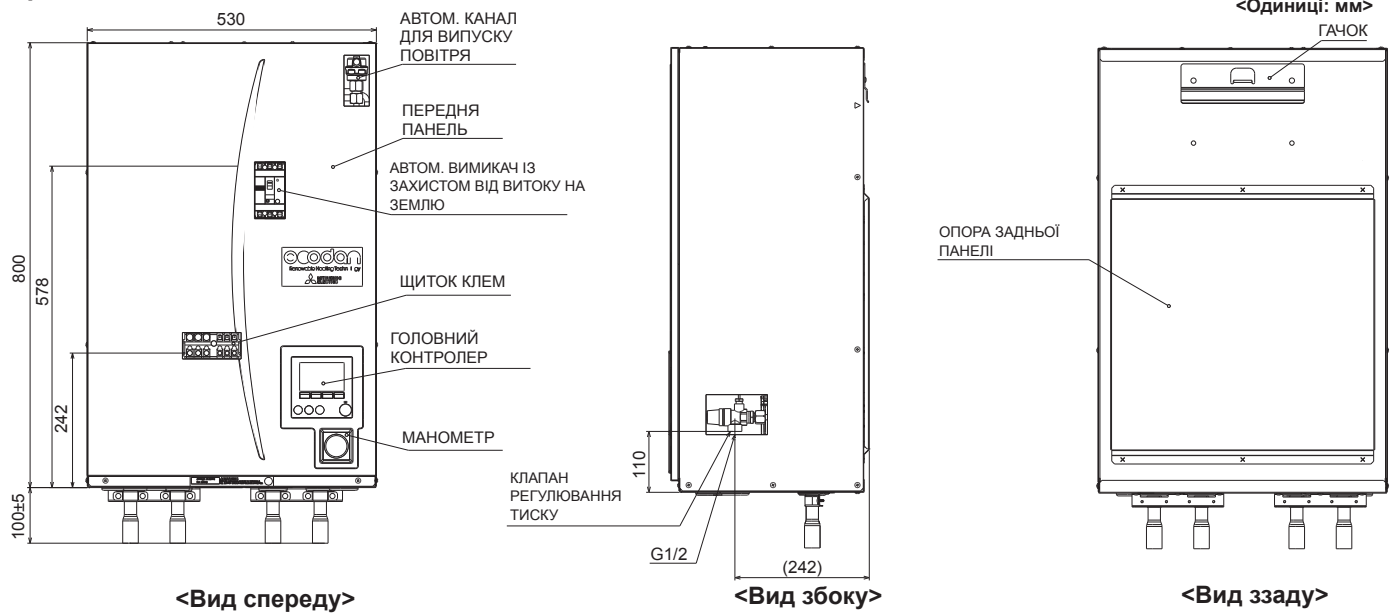
*1 EHPX-YM9ED та EHPX-MED не входять до комплекту постачання.

*2 ERSE-YM9ED не входить до комплекту постачання.

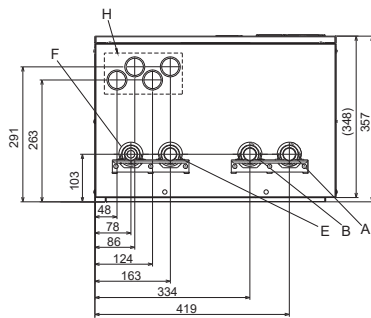
*3 Тільки модель 2HP (E*S*D)

3 Технічна інформація

■ Креслення



<ЕНРХ> (моноблочна модель)



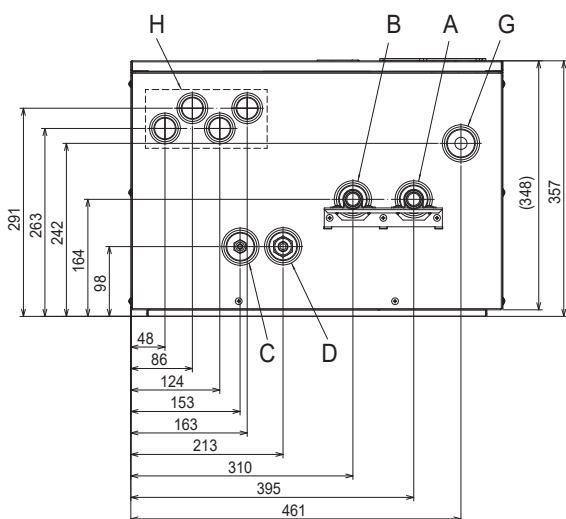
<Вид знизу>

Символ	Опис трубопроводу	Розмір/тип з'єднання
A	Опалення / бак непрямого ГВП (первинний контур) З'єднання для ЗВОРОТНОГО ПОТОКУ	28 мм/компресія (ЕН***) Гайка G1 (ЕРS***)
B	Опалення / бак непрямого ГВП (первинний контур) З'єднання для ПРЯМОГО ПОТОКУ	28 мм/компресія (ЕН***) Гайка G1 (ЕРS***)
C	Холодоагент (рідина)	6,35 мм/вальцювання (E*SD-*) 9,52 мм/вальцювання (E*SC-*)
D	Холодоагент (газ)	12,7 мм/вальцювання (E*SD-*) 15,88 мм/вальцювання (E*SC-*)
E	З'єднання для прямого потоку ВІД теплового насоса	28 мм/компресія (ЕНРХ-*)
F	З'єднання для зворотного потоку ДО теплового насоса	28 мм/компресія (ЕНРХ-*)
G	Випускна труба (встановлюється фахівцем з установлення) від клапана регулювання тиску	G1/2" з гніздовим з'єднанням (порт клапана в корпусі гідромодуля)
H	Входи електричних кабелів ① ② ③ ④	Для входів ① і ② необхідно використовувати дроти високої напруги, зокрема для кабелю живлення, кабелю внутрішнього-зовнішнього блока та зовнішніх вихідних дротів. Для входів ③ і ④ необхідно використовувати низьковольтні дроти, включно із зовнішніми вхідними дротами та дротами термістора. Для кабелю бездротового приймача (опція) використовуйте вхід ④.
I	Дренажне гніздо	Зовн. діаметр Ø20

<Таблиця 3.4>

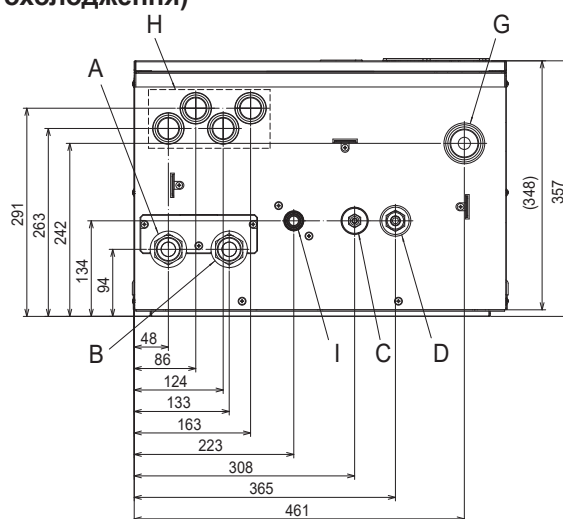
3 Технічна інформація

<EHS*> (модель типу спліт)



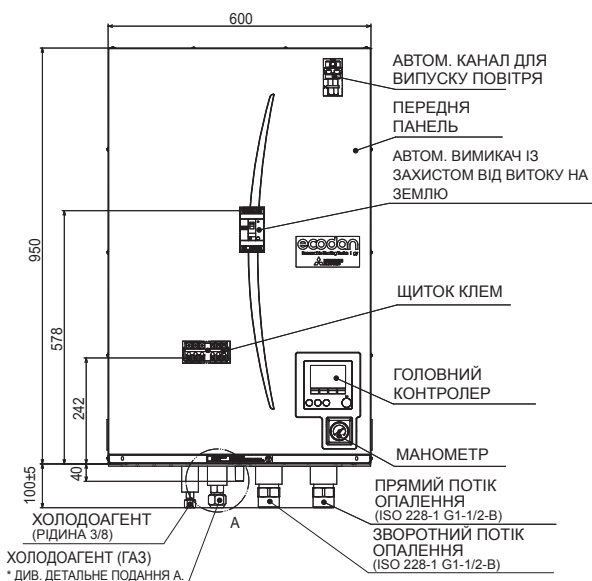
<Вид знизу>

<ERS*> (модель типу спліт для опалення та охолодження)

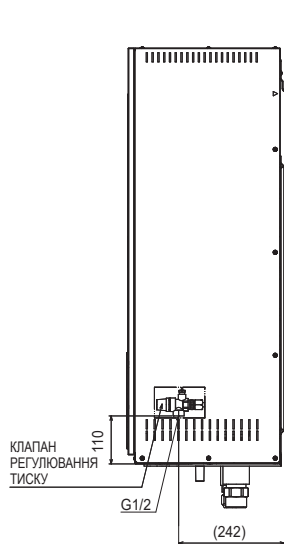


<Вид знизу>

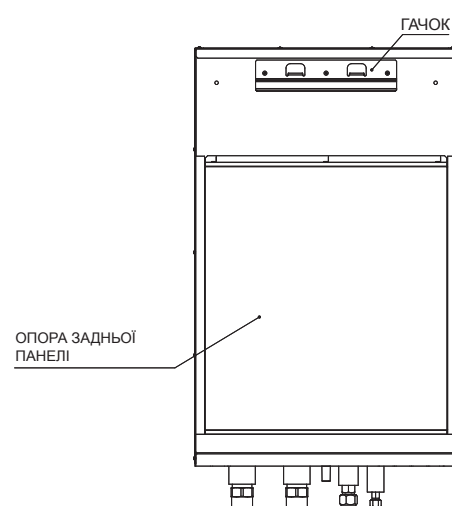
<E*SE> (система опалення / опалення та охолодження)



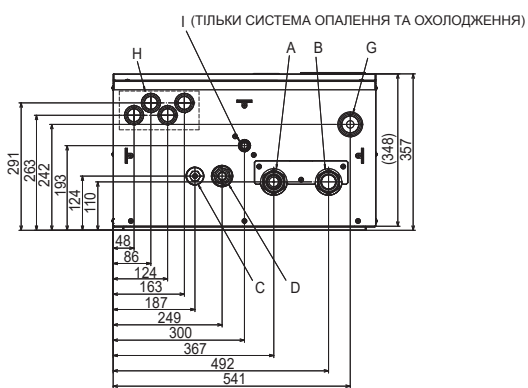
<Вид спереду>



<Вид збоку>



<Вид ззаду>



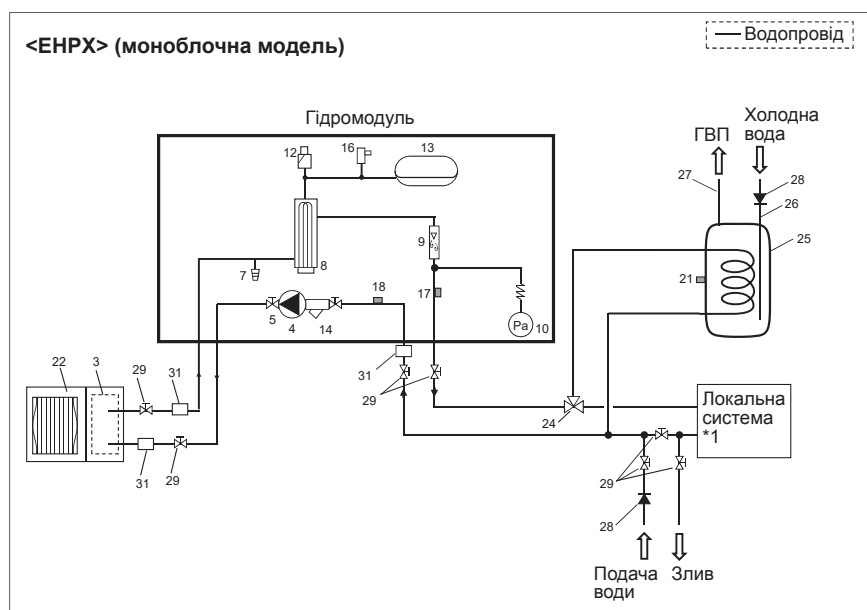
<Вид знизу>



uk

3 Технічна інформація

■ Схема водяного контуру



<Рис. 3.5>

Примітка

- Обов'язково дотримуйтесь місцевих норм і правил під час підключення з'єднань ГВП системи.
- З'єднання ГВП не входять до комплекту постачання гідромодуля. Усі необхідні компоненти необхідно придбати окремо.
- Щоб забезпечити злив із гідромодуля, запірний клапан необхідно розміщувати як на вхідній, так і на вихідній частині трубопроводу.
- Обов'язково встановіть фільтр грубого очищення на вхідний трубопровід гідромодуля.
- До всіх клапанів регулювання тиску необхідно під'єднати відповідний зливний трубопровід відповідно до місцевих нормативних вимог.
- Зворотний клапан необхідно встановити на трубопровід водопостачання (IEC 61770).
- У разі використання компонентів, виготовлених з різних металів, або під'єднання трубопроводів, виготовлених з різних металів, ізолюйте з'єднання для запобігання корозії, яка може пошкодити трубопроводи.

№	Назва компонента	ЕНРХ- *М* (E/D)	ЕНС- MED	ЕНС- *М* D	ЕНС- YM 9ED	ЕРС- *М*(E) D	ЕРС- MED
1	Блок керування та розподільча коробка	✓	✓	✓	✓	✓	✓
2	Головний контролер	✓	✓	✓	✓	✓	✓
3	Пластинчастий теплообмінник (холодоагент – вода)	–	✓	✓	✓	✓	✓
4	Циркуляційний водяний насос 1	✓	✓	✓	✓	✓	✓
5	Клапан насоса	✓	✓	✓	✓	✓	✓
6	Зливний кран (первинний контур)	✓	✓	✓	✓	✓	✓
7	Проточний електронагрівач 1, 2	✓	–	✓	✓	✓	–
8	Датчик потоку	✓	✓	✓	✓	✓	✓
9	Манометр	✓	✓	✓	✓	✓	✓
10	Клапан регулювання тиску (3 бар)	–	✓	✓	✓	✓	✓
11	Автоматичний канал для випуску повітря	✓	✓	✓	✓	✓	✓
12	Розширювальний бак	✓*2	–	✓	–	✓*3	–
13	Клапан фільтра грубого очищення	✓	✓	✓	✓	✓	✓
14	Дренажний піддон	–	–	–	–	✓	✓
15	Клапан регулювання тиску (5 бар)	✓*2	–	✓	–	✓*3	–
16	TНW1	✓	✓	✓	✓	✓	✓
17	TНW2	✓	✓	✓	✓	✓	✓
18	TН2	–	✓	✓	✓	✓	✓
19	Датчик тиску	–	✓*4	✓*4	✓*4	✓*4	✓*4
20	TНW5B (додатковий компонент PAC-TN011TK2-E або PAC-TN011TKL2-E)	–	–	–	–	–	–
21	Зовнішній блок	–	–	–	–	–	–
22	Зливний трубопровід (купується окремо)	–	–	–	–	–	–
23	3-ходовий клапан (купується окремо)	–	–	–	–	–	–
24	Невентильований бак непрямого ГВП (купується окремо)	–	–	–	–	–	–
25	Вхідний трубопровід для холодної води (купується окремо)	–	–	–	–	–	–
26	Вхідний трубопровід ГВП (купується окремо)	–	–	–	–	–	–
27	Зворотний клапан (купується окремо)	–	–	–	–	–	–
28	Запірний клапан (купується окремо)	–	–	–	–	–	–
29	Магнітний фільтр (купується окремо) (рекомендовано)	–	–	–	–	–	–
30	Фільтр грубого очищення (купується окремо)	–	–	–	–	–	–

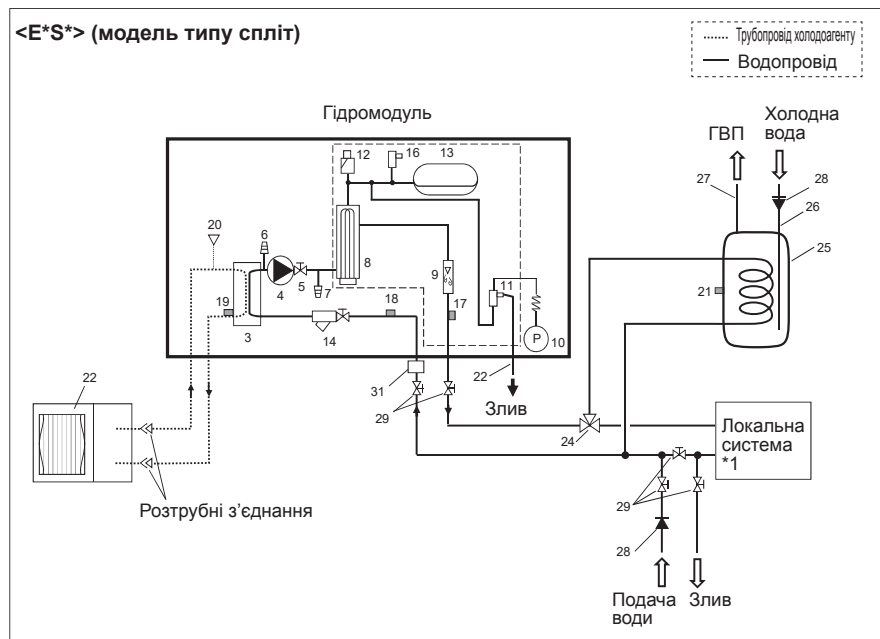
<Таблиця 3.5>

*1 Див. наступний розділ [Локальна система].

*2 ЕНРХ-YM9ED та ЕНРХ-MED не входять до комплекту постачання.

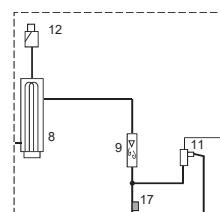
*3 ERSE-YM9ED не входить до комплекту постачання.

*4 Тільки модель 2HP (E*SD).



<Рис. 3.6>

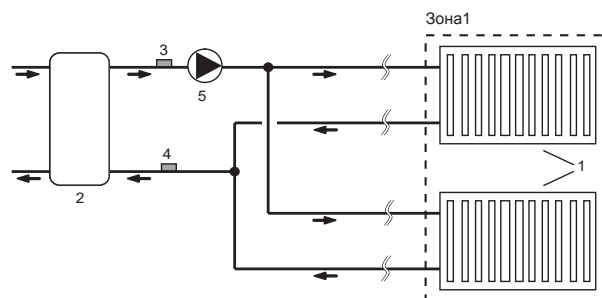
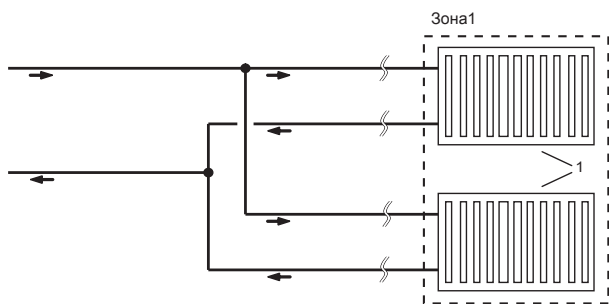
<Тільки Е*SE>



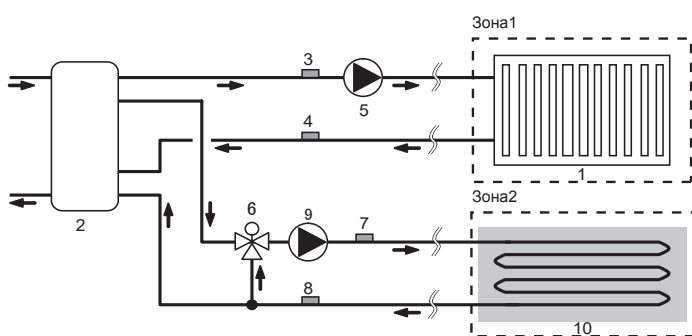
3 Технічна інформація

Локальна система

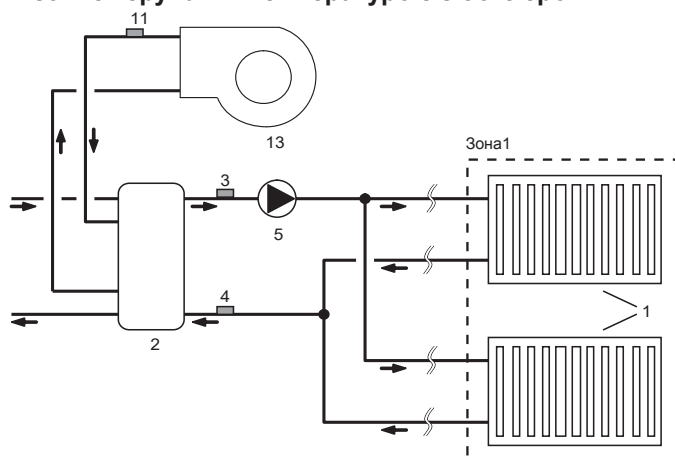
1-зонне керування температурою



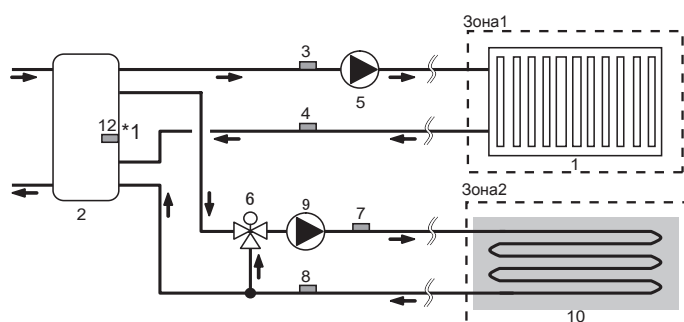
2-зонне керування температурою



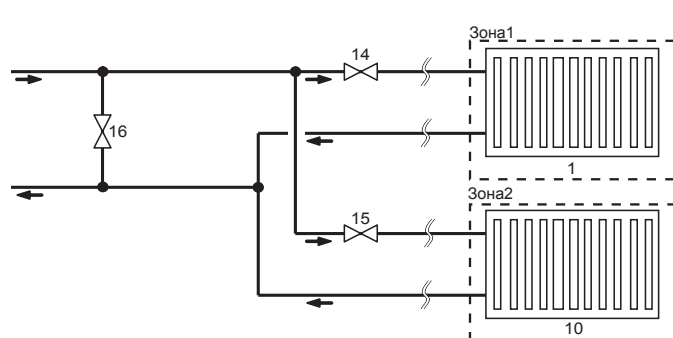
1-зонне керування температурою з бойлером



2-зонний контроль температури та керування буферним баком



1-зонне керування температурою (2-зонне керування ввімкненням/вимкненням клапана)



1. Опалювальні прилади Зони 1 (наприклад, радіатор, фанкойл) (купаються окремо)
2. Змішувальний бак (купається окремо)
3. Термістор температури прямого потоку води Зони 1 (ТНВ6) } Додатковий компонент:
4. Термістор температури зворотного потоку води Зони 1 (ТНВ7) } РАС-ТН011-Е
5. Циркуляційний водяний насос Зони 1 (купається окремо)
6. Змішувальний клапан з приводом (купається окремо)
7. Термістор температури прямого потоку води Зони 2 (ТНВ8) } Додатковий компонент:
8. Термістор температури зворотного потоку води Зони 2 (ТНВ9) } РАС-ТН011-Е
9. Циркуляційний водяний насос Зони 2 (купається окремо)

10. Опалювальні прилади Зони 2 (наприклад, системи підлогового опалення) (купаються окремо)
 11. Термістор температури прямого потоку води бойлера (ТНВВ1) } Додатковий компонент:
 12. Термістор змішувального бака (ТНВ10) *1 } РАС-ТН012НТ(L)-Е
 13. Бойлер (купається окремо)
 14. 2-ходовий клапан Зони 1 (купається окремо)
 15. 2-ходовий клапан Зони 2 (купається окремо)
 16. Обхідний клапан (купається окремо)
- *1 ТІЛЬКИ керування буферним баком (опалення/охолодження) застосовується до Smart grid ready (Інтелектуальна мережа).

4 Установлення

<Підготовка перед установленням і обслуговуванням>

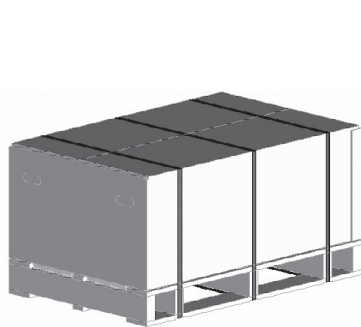
- Підготуйте відповідні інструменти.
- Підготуйте відповідні засоби захисту.
- Перед виконанням робіт з технічного обслуговування дайте компонентам охолонути.
- Забезпечте належну вентиляцію.
- Після припинення експлуатації системи вимкніть автоматичний вимикач живлення та вийміть штепсель з розетки.
- Розрядіть конденсатор, перш ніж почати роботу з електричними частинами.

<Заходи безпеки під час обслуговування>

- Не виконуйте роботу з електричними частинами вологими руками.
- Не допускайте розлиття води та інших рідин на електричні частини.
- Не торкайтеся холодоагенту.
- Не торкайтеся гарячих або холодних поверхонь в системі циркуляції холодоагенту.
- Якщо ремонт або огляд контуру необхідно виконувати без вимкнення живлення, будьте дуже обережні та НЕ торкайтеся частин, які перебувають ПІД НАПРУГОЮ.

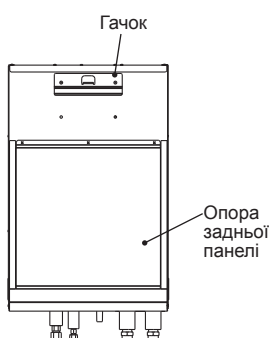
4.1 Розташування

■ Транспортування та переміщення



<Рис. 4.1.1>

Гідромодуль постачається на дерев'яному піддоні з картонним захистом.



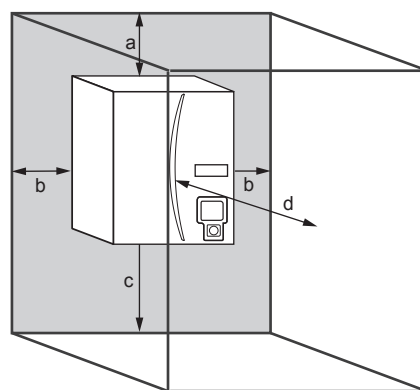
<Рис. 4.1.2>

■ Схеми доступу для обслуговування

Доступ для обслуговування	
Параметр	Розмір (мм)
a	200
b	150
c	500
d	500

<Таблиця 4.1.1>

ОБОВ'ЯЗКОВО залиште достатньо вільного місця для випускного трубопроводу відповідно до державних і місцевих норм будівництва.



<Рис. 4.1.3>

Доступ для обслуговування

Гідромодуль необхідно розміщувати в приміщенні, захищеному від морозу й атмосферних явищ, наприклад, у господарському приміщенні.

Примітка:

- Гідромодуль **ЗАВЖДИ** повинні переносити щонайменше 2 людини.
- **НЕ** тримайтеся за трубопровід під час переміщення або піднімання гідромодуля.

■ Вимоги до розташування

До встановлення необхідно зберігати гідромодуль у місці, захищеному від морозу й атмосферних явищ. **НЕ МОЖНА** ставити пристрій один на одного.

- Гідромодуль необхідно встановлювати в приміщеннях, захищених від морозу та атмосферних явищ.
- Установлюйте гідромодуль у місці, захищеному від води / надмірної вологи.
- Гідромодуль слід розміщувати на рівній поверхні, яка здатна витримати вагу заповненого пристрою.
- Щоб дізнатися вагу, див. розділ 3 «Технічна інформація».
- Необхідно забезпечити мінімальний вільний простір навколо пристрою та перед ним для доступу для обслуговування <рис. 4.1.3>.
- Закріпіть гідромодуль, щоб не допустити його перекидання.
- Для фіксації гідромодуля на стіні необхідно використовувати гачок і панельні опори. <Рис. 4.1.2>

■ Переміщення гідромодуля

Якщо необхідно перемістити гідромодуль в нове місце, **ПОВНІСТЮ ЗЛИЙТЕ** воду з гідромодуля перед переміщенням, щоб уникнути пошкодження пристрою.

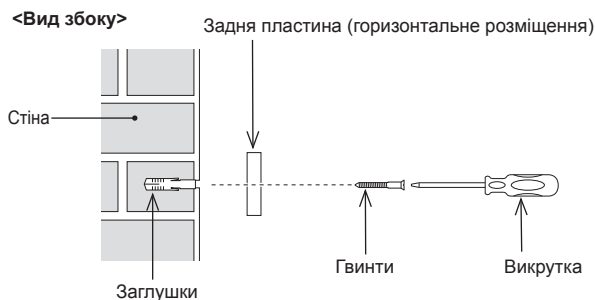
Примітка: НЕ тримайтеся за трубопровід під час переміщення або піднімання гідромодуля.

4 Установлення

■ Процедура монтажу

1. Установіть задню пластину, що входить до комплекту постачання.

* Під час установлення задньої пластини використовуйте придбані окремо гвинти та сумісні фіксувальні заглушки.



<Рис. 4.1.4>

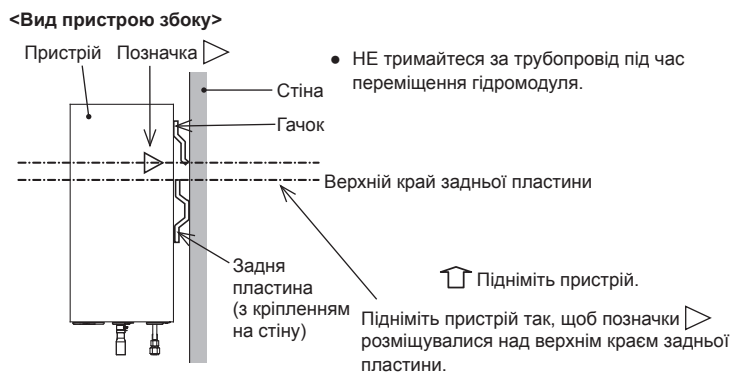
- Правильно встановлюйте задню пластину горизонтальною виїмкою ВГОРУ. Задня пластина має монтажні отвори для гвинтів круглої або овальної форми. Щоб запобігти падінню пристрою зі стіни, виберіть відповідну кількість отворів або положень отворів і зафіксуйте задню пластину горизонтально у відповідному місці на стіні.

2. Вставте гачок на задній частині гідромодуля за виїмку задньої пластини.

* Підйом гідромодуля можна полегшити, спочатку нахиливши пристрій уперед за допомогою амортизаційної упаковки з комплекту.

i) На правій і лівій бічних панелях є позначки ▷.

Піднімайте пристрій таким чином, щоб позначки ▷ розміщувалися над верхнім краєм задньої пластини, як показано нижче.



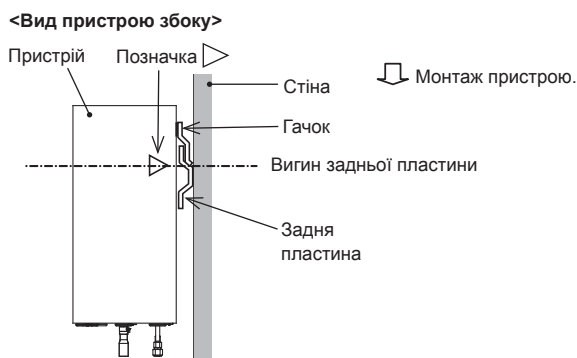
<Рис. 4.1.5>

<Вид пристрою спереду>



<Рис. 4.1.7>

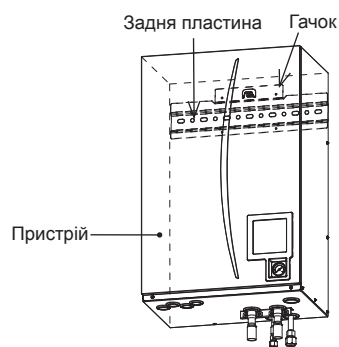
ii) Перевірте та переконайтесь, що позначки ▷ розміщуються належним чином на рівні вигину на задній пластині, як показано на рисунку нижче.



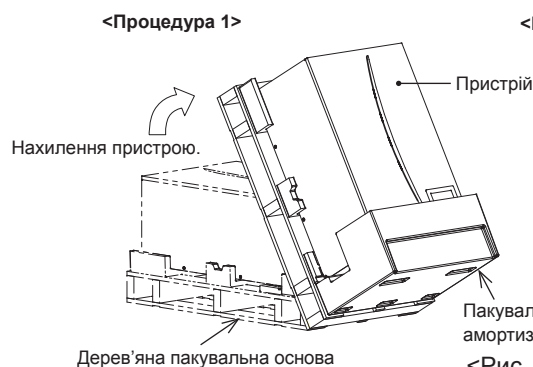
<Рис. 4.1.6>

- На рис. 4.1.7 показано відносні положення між пристроєм і задньою пластинкою, закріпленою на стіні. Установіть задню пластину, дотримуючись інструкцій на <рис. 4.1.3> «Доступ для обслуговування».

Розміри (мм)	A	B
Гідромодуль		
E*SC	530	677
E*SD		
EHPX		
E*SE	600	827



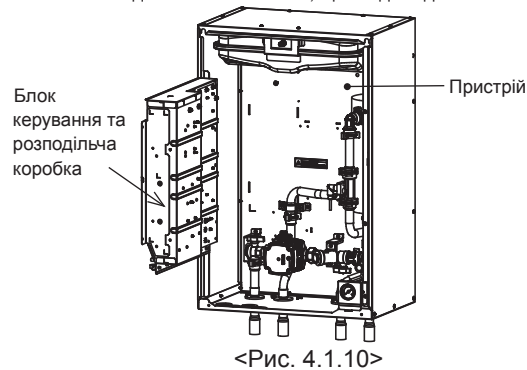
<Рис. 4.1.8>



<Рис. 4.1.9>

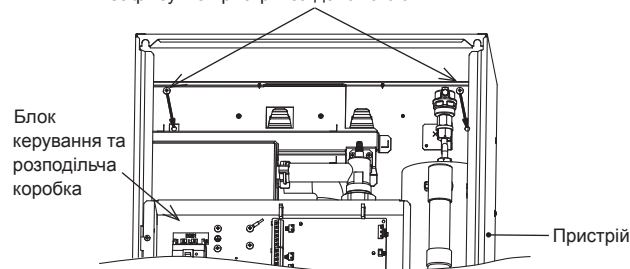
4 Установлення

3. Дотримуючись інструкцій у розділі «Отримання доступу до внутрішніх компонентів, блока керування та розподільчої коробки», закріпіть пристрій на задній пластині за допомогою 2 гвинтів, що входять до комплекту (допоміжне приладдя).

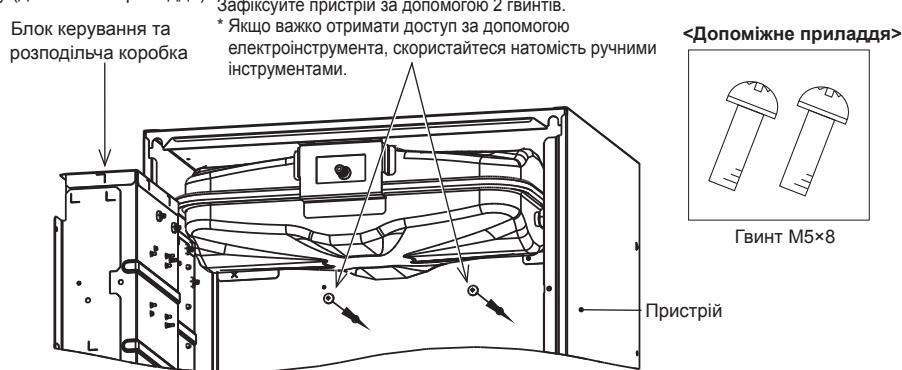


<Рис. 4.1.10>

Зафіксуйте пристрій за допомогою 2 гвинтів.



<Рис. 4.1.12>



<Рис. 4.1.11>

ОБЕРЕЖНО. ПЕРЕД підключенням трубопроводів обов'язково встановіть і затягніть ці два гвинти. Інакше гачок може вивільнитися зі стіни і пристрій може впасти.

4.2 Якість води й підготовка системи

■ Загальні вимоги

- Вода в первинному контурі та контурі води для побутових потреб має бути чистою і мати рівень рН 6,5–8,0.
- Нижче наведено максимальні значення:
кальцій: 100 мг/л, кальцієва жорсткість: 250 мг/л;
хлор: 100 мг/л, мідь: 0,3 мг/л.
- Вміст інших домішок має відповідати нормам стандартів Директиви ЄС 98/83 ЄС.
- У регіонах із жорсткою водою рекомендовано обмежувати стандартну температуру води (макс. темп. ГВП) до 55°C для запобігання утворенню накипу чи зведення його до мінімуму.

■ Антифриз

Як антифриз слід використовувати пропіленгліколь з рівнем токсичності класу 1 відповідно до класифікації, наведеної в документі «Клінічна токсикологія комерційних продуктів» (Clinical Toxicology of Commercial Products), 5-те видання.

Примітка:

1. Етиленгліколь є токсичним, тому його НЕ можна використовувати для первинного контуру в разі перехресного забруднення контуру питної води.
2. Для 2-зонного керування ввімкненням/вимкненням клапана слід використовувати пропіленгліколь.

■ Перше встановлення (первинний контур)

- Перед підключенням зовнішнього блока ретельно очистьте трубопровід від сміття, припою тощо за допомогою відповідного хімічного очищувального засобу.
- Промийте систему, щоб видалити хімічний очищувальний засіб.
- Для моноблочних моделей і моделей типу спліт або системи PUMY без проточного електронагрівача: додайте комплексний інгібітор та антифриз для запобігання пошкодженню компонентів трубопроводу й системи.
- Для моделей типу спліт: фахівець з установлення повинен вирішити, чи потрібно додавати розчин антифризу, в кожному конкретному випадку. Однак інгібітор корозії необхідно використовувати ЗАВЖДИ.

■ Установлення в наявній системі (первинний контур)

- Перед підключенням зовнішнього блока НЕОБХІДНО виконати хімічне очищення наявного контуру опалення для видалення з нього сторонніх матеріалів.
- Промийте систему, щоб видалити хімічний очищувальний засіб.
- Для моноблочних моделей: додайте комплексний інгібітор та антифриз для запобігання пошкодженню компонентів трубопроводу й системи.
- Для моделей типу спліт: фахівець з установлення повинен вирішити, чи потрібно додавати розчин антифризу, в кожному конкретному випадку. Однак інгібітор корозії необхідно використовувати ЗАВЖДИ.

Під час використання хімічних очищувальних засобів та інгібіторів завжди дотримуйтеся інструкцій виробника та перевіряйте, чи підходить даний продукт для матеріалів, що використовуються у водяному контурі.

■ Мінімальний необхідний об'єм води в контурі опалення/охолодження

Зовнішній блок теплового насоса		Середній/теплий клімат**		Холодний клімат**	
		Об'єм води у внутрішньому блоці [л]	*Додатковий необхідний об'єм води [л]	Об'єм води у внутрішньому блоці [л]	*Додатковий необхідний об'єм води [л]
Моноблочна модель	PUZ-WM50	5	2	5	24
	PUZ-WM60		4		29
	PUZ-WM85		7		32
	PUZ-WM112		11		43
	PUZ-HWM140		15		55
Модель типу спліт	SUZ-SWM40	5	1	5	12
	SUZ-SWM60		2		21
	SUZ-SWM80		4		29
	PUHZ-FRP71		6		27
	PUHZ-SW75		6		27
	PUHZ-SW100		9		38
	PUHZ-SW120		12		47
	PUHZ-SW160		18		64
	PUHZ-SW200		24		81
	PUHZ-SHW80		6		29
	PUHZ-SHW112		11		43
	PUHZ-SHW140		15		55
	PUHZ-SHW230		28		94
	PUMY-P112		22		75
PUMY-P125	22	75			
PUMY-P140	22	75			

<Таблиця 4.2.1>

* За наявності обхідного контуру значення в таблиці вище означають мінімальний об'єм води в разі використання обхідного контуру.

** Див. Директиву 2009/125/ЄС про енергоефективність і Регламент (ЄС) № 813/2013 для визначення кліматичної зони.

Випадок 1 Між первинним і вторинним контурами немає розділення

- Забезпечте необхідний об'єм води згідно з таблицею 4.2.1 залежно від водопровідної труби та радіатора чи підлогового опалення.

Випадок 2 Розділіть первинний і вторинний контури

- Якщо взаємозамкнута робота первинного та вторинного насоса недоступна, забезпечте необхідний додатковий об'єм води тільки в первинному контурі згідно з таблицею 4.2.1.

- Якщо доступна взаємно замкнута робота первинного та вторинного насосів, забезпечте загальний об'єм води в первинному та вторинному контурах згідно з таблицею 4.2.1.

У разі нестачі необхідного об'єму води встановіть буферний бак.

4 Установлення

4.3 Водопровідні труби

Примітка: Щоб не допустити виникнення напруги на трубах гідромодуля в місцях під'єднання до місцевої трубопроводної системи, прикріпіть наявні трубопроводи до стіни або застосуйте інші методи.

Трубопровід гарячої води

Після встановлення необхідно перевірити функціонування зазначених нижче компонентів системи безпеки гідромодуля на відсутність несправностей:

- клапан регулювання тиску;
- попереднє заповнення розширювального бака (тиск заправлення газом).

Слід ретельно дотримуватися наведеної на наступних сторінках інструкції з безпечного випуску гарячої води із запобіжних пристроїв.

- Трубопровід сильно нагрівається, тому його необхідно ізолювати, щоб уникнути отримання опіків.
- Під час під'єднання трубопроводів переконайтеся, що в трубу не потрапили сторонні предмети, сміття тощо.

Підключення запобіжних пристроїв

Гідромодуль містить клапан регулювання тиску (див. <рис. 4.3.1>). Розмір з'єднання – G1/2" (гніздове). Фахівець з установлення ЗОБОВ'ЯЗАНИЙ відповідально поставитися до процесу під'єднання відповідного випускного трубопроводу від цього клапана згідно з місцевими та державними нормами. Недотримання цієї вимоги може призвести до випуску гарячої води з клапана регулювання тиску безпосередньо в гідромодуль і спричинити серйозне пошкодження виробу.

Усі трубопроводи, що використовуються в системі, мають бути здатні витримувати випуск гарячої води. Клапани регулювання тиску НЕ можна використовувати з жодною іншою метою, і їх цільове використання має здійснюватися безпечним та належним чином згідно з вимогами місцевих норм.

Примітка: Манометр і клапан регулювання тиску мають бути встановлені БЕЗ напруги на стороні капіляру та на стороні входу відповідно.

У разі додавання клапана регулювання тиску не можна на з'єднанні між гідромодулем і клапаном регулювання тиску встановлювати зворотний або запірний клапан (з міркувань безпеки).

Гідравлічний фільтр (ТІЛЬКИ серія ЕНРХ)

Установіть гідравлічний фільтр або фільтр грубого очищення (купується окремо) в місці забору води (трубопровід Е в табл. 3.4, також див. відповідну схему на рис. 3.5)

З'єднання трубопроводів

З'єднання з гідромодулем мають здійснюватися за допомогою компресійних гайок 28мм (серія EHSC/D), гайок G1 (серія ERSC/D), гайок G1-1/2 (серія E*SE) залежно від ситуації. (Гідромодуль має з'єднання з різьбою G1 або G1-1/2 (штекер)).

Не закручуйте надмірно компресійні фітинги, оскільки це призведе до деформації обтискового кільця та можливого протікання води.

Примітка: Перед спаюванням труб на місці експлуатації захистіть труби гідромодуля за допомогою вологих рушників тощо, використовуючи їх як захист від високих температур. Використовуйте два гайкові ключі для затягування трубопроводного з'єднання (див. <рис. 4.3.2>).

Зливний трубопровід (ТІЛЬКИ серія ER)

Зливний трубопровід необхідно встановити для зливу конденсату під час роботи в режимі охолодження.

- Надійно закріпіть зливний трубопровід для запобігання протіканню води в місці з'єднання.
- Надійно ізолюйте зливний трубопровід, щоб запобігти протіканню води зі зливного трубопроводу, який було придбано окремо.
- Установлюйте зливний трубопровід з нахилом не менше 1/100.
- Не розміщуйте зливний трубопровід у зливному каналі, у якому присутній сірчаноокислий газ.
- Після встановлення перевірте, чи зливний трубопровід відводить воду належним чином з вихідного отвору трубопроводу.

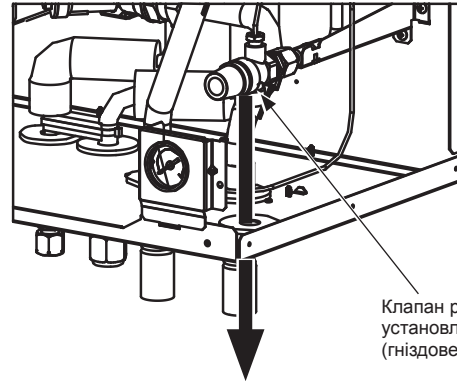
<Установлення>

1. Нанесіть полівінілхлоридний клей на заштриховані поверхні всередині зливної труби та на зовнішню частину дренажного гнізда, як показано на рисунку.
2. Вставте дренажне гніздо глибоко в зливну трубу (<рис. 4.3.3>).

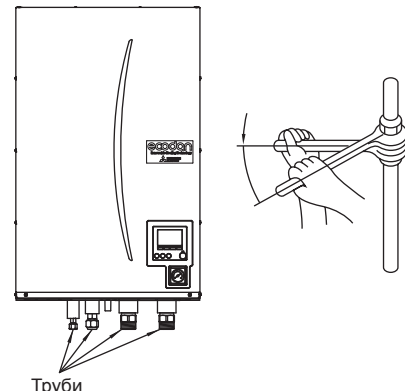
Примітка: Установіть надійну опору для зливного трубопроводу (купується окремо), щоб уникнути його випадіння з дренажного гнізда. Щоб уникнути зливу брудної води на підлогу поряд з гідромодулем, під'єднайте відповідний випускний трубопровід до зливного піддона гідромодуля.

Ізоляція трубопроводів

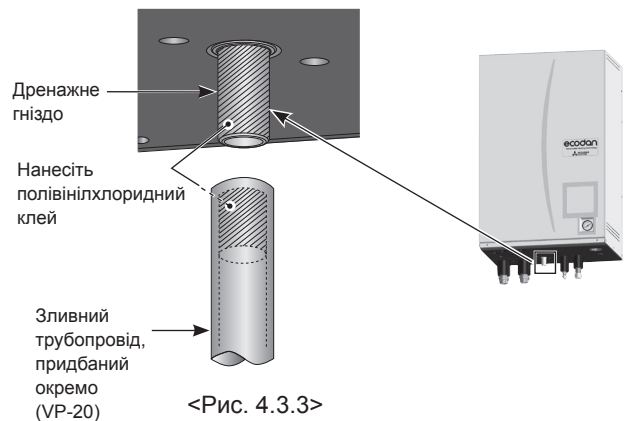
- Усі відкриті водопровідні труби необхідно ізолювати, щоб запобігти непотрібній втраті тепла та утворенню конденсату. Щоб конденсат не потрапляв у гідромодуль, необхідно ретельно ізолювати трубопроводи та з'єднання у верхній частині гідромодуля.
- Трубопроводи холодної та гарячої води слід за можливості прокладати на віддалі один від одного, щоб уникнути небажаного передавання тепла.
- Трубопровід між зовнішнім блоком теплового насоса та гідромодулем необхідно ізолювати за допомогою відповідного ізоляційного матеріалу з теплопровідністю $\leq 0,04$ Вт/м·К.



<Рис. 4.3.1>



<Рис. 4.3.2>



<Рис. 4.3.3>

■ Характеристики циркуляційного водяного насоса

Продуктивність насоса можна вибрати в налаштуваннях головного контролера (див. <рис. 4.3.4–4.3.9>).

Відрегулюйте продуктивність насоса таким чином, щоб швидкість потоку в первинному контурі відповідала встановленому зовнішньому блоку (див. табл. 4.3.1). Можливо, буде необхідно встановити в системі додатковий насос залежно від довжини та висоти підйому первинного контуру.

Якщо модель зовнішнього блока не зазначено в <табл. 4.3.1>, див. діапазон швидкості потоку води в таблиці технічних характеристик довідника з характеристик зовнішнього блока.

<Другий насос>

Якщо необхідно встановити другий насос, уважно прочитайте наведену нижче інформацію.

Якщо в системі використовується другий насос, його можна розмістити 2 способами. Положення насоса впливає на те, до якої клемми FTC має бути під'єднано сигнальний кабель. Якщо струм додаткового насоса більший ніж 1А, використовуйте відповідне реле. Сигнальний кабель насоса може бути під'єднано до клем ТВО.1 1-2 або CNP1, але НЕ до обох.

Варіант 1 (тільки опалення/охолодження)

Якщо другий насос використовується тільки для контуру опалення, то сигнальний кабель необхідно під'єднувати тільки до клем 3 та 4 ТВО.1 (OUT2). У цьому положенні насос можна запускати з продуктивністю, відмінною від продуктивності вбудованого насоса гідромодуля.

Варіант 2 (первинний контур ГВП та опалення/охолодження).

Якщо другий насос використовується в первинному контурі між гідромодулем і зовнішнім блоком (ТІЛЬКИ моноблочні моделі), то сигнальний кабель необхідно під'єднати до клем 1 та 2 ТВО.1 (OUT1). У цьому положенні продуктивність насоса **ПОВИННА** відповідати продуктивності вбудованого насоса гідромодуля.

Примітка: Див. розділ 5.2 «Підключення входів/виходів»

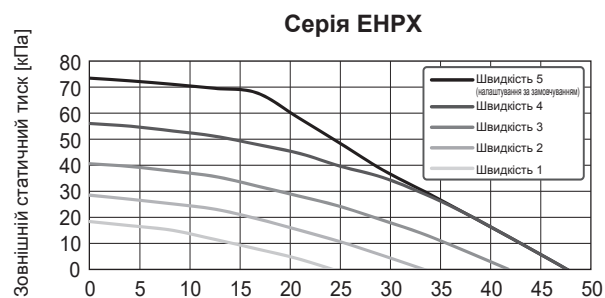
Зовнішній блок теплового насоса		Діапазон швидкості потоку води [л/хв]
Моноблочна модель	PUZ-WM50	6,5–14,3
	PUZ-WM60	8,6–17,2
	PUZ-WM85	10,8–25,8
	PUZ-WM112	14,4–32,1
	PUZ-HWM140	17,9–36,9
Модель типу спліт	SUZ-SWM40	6,5–11,4
	SUZ-SWM60	7,2–17,2
	SUZ-SWM80	7,8–21,5
	PUHZ-FRP71	11,5–22,9
	PUHZ-SW75	10,2–22,9
	PUHZ-SW100	14,4–32,1
	PUHZ-SW120	20,1–36,9
	PUHZ-SHW80	10,2–22,9
	PUHZ-SHW112	14,4–32,1
	PUHZ-SHW140	17,9–36,9
PUMY-P112	17,9–35,8	
PUMY-P125	17,9–35,8	
PUMY-P140	17,9–35,8	

<Таблиця 4.3.1>

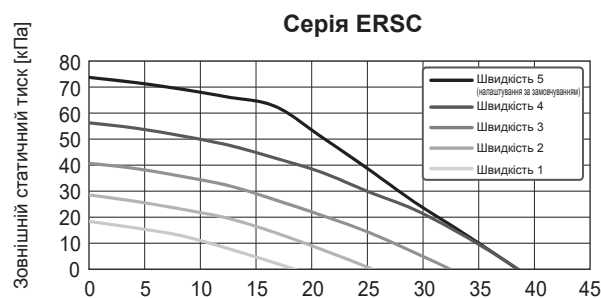
* Якщо швидкість потоку води менша за задане мінімальне значення для датчика потоку (за замовчуванням 5,0 л/хв), буде активовано помилку швидкості потоку.

Якщо швидкість потоку води перевищує 36,9 л/хв, то швидкість потоку буде більшою ніж 2,0 м/с, що може призвести до руйнування труб.

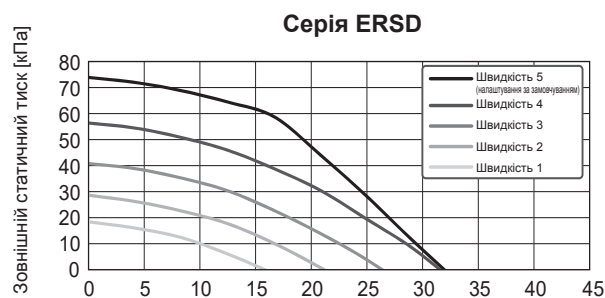
Характеристики циркуляційного водяного насоса



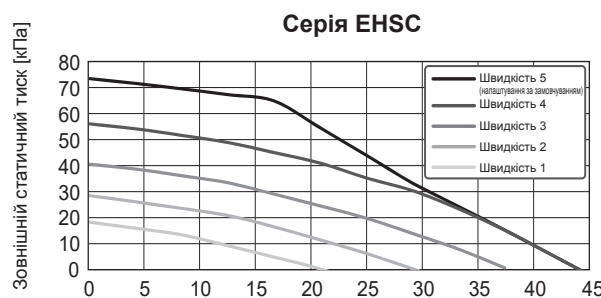
<Рис. 4.3.4>



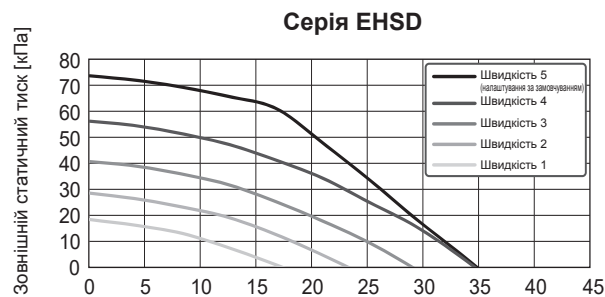
<Рис. 4.3.5>



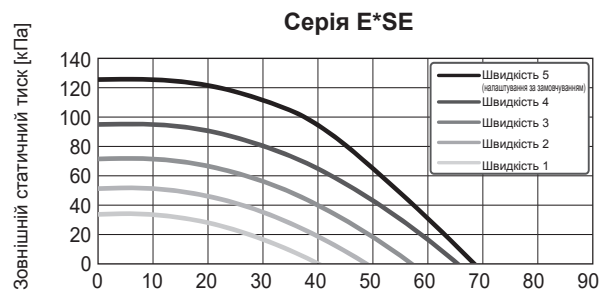
<Рис. 4.3.6>



<Рис. 4.3.7>



<Рис. 4.3.8>



<Рис. 4.3.9>

4 Установлення

Розміри розширювальних баків

Об'єм розширювального бака має відповідати об'єму води в локальній системі.

Щоб підібрати розмір розширювального бака для контурів опалення та охолодження, можна використовувати наведені нижче формулу та графік. Якщо необхідний об'єм розширювального бака перевищує об'єм вбудованого розширювального бака, установіть додатковий розширювальний бак, щоб сумарний об'єм розширювальних баків перевищував необхідний об'єм розширювального бака.

* Під час установлення моделі E***-M*ED встановіть належний розширювальний бак на стороні первинного контура та додатковий клапан регулювання тиску (на 3 бар) у відповідному місці, тому що зазначену модель не оснащено розширювальним баком на стороні первинного контура.

$$V = \frac{\varepsilon \times G}{1 - \frac{P_1 + 0,098}{P_2 + 0,098}}$$

Тут:

V : необхідний об'єм розширювального бака [л]

ε : коефіцієнт розширення води

G : загальний об'єм води в системі [л]

P₁ : установлений тиск у розширювальному баку [МПа]

P₂ : макс. тиск під час експлуатації [МПа]

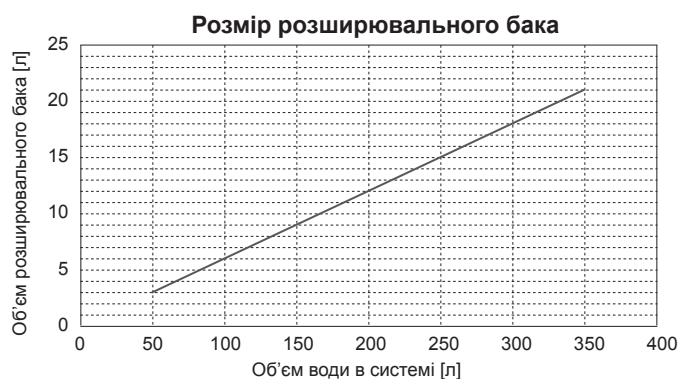
Графік праворуч відповідає таким значенням:

ε : при 70 °C = 0,0229

P₁ : 0,1 МПа

P₂ : 0,3 МПа

*Додано коефіцієнт запасу надійності в розмірі 30%.

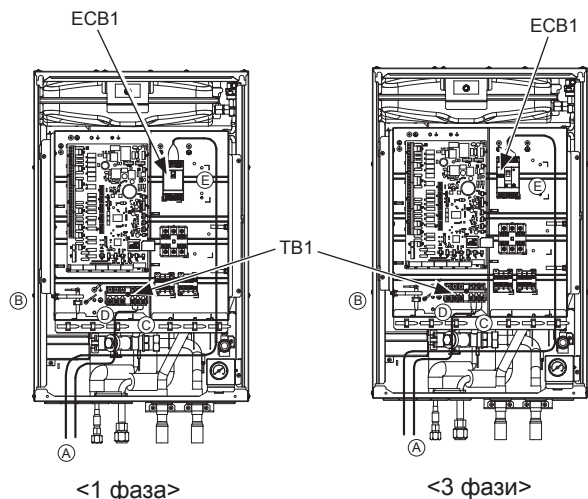


<Рис. 4.3.10>

4.4 Електричні з'єднання

Усі електротехнічні роботи має виконувати технічний фахівець з належною кваліфікацією. Недотримання цієї вимоги може призвести до ураження електричним струмом, пожежі та смерті. Також це анулює гарантію на виріб. Усі електричні з'єднання мають відповідати вимогам державних норм.

Позначення автоматичного вимикача	Значення
ECB1	Автоматичний вимикач із захистом від витоків на землю для проточного електронагрівача
TB1	Клемна колодка 1



<Рис. 4.4.1>

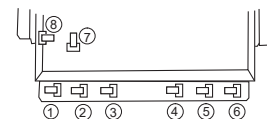
Живлення гідromодуля може забезпечуватися двома способами.

1. Кабель живлення проходить від зовнішнього блока до гідromодуля.
2. Гідromодуль має окреме джерело живлення.

Підключення мають виконуватися до клем, указаних на рисунках знизу ліворуч, залежно від фази.

Проточний електронагрівач і занурний електронагрівач необхідно підключати незалежно один від одного до спеціально виділених джерел живлення.

- А Електричні дроти, придбані окремо, необхідно вставляти через вхідні отвори, розташовані на основі гідromодуля. (Див. <Табл. 3.4>.)
- Б Електричні дроти необхідно проводити вниз по лівій стороні блока керування та розподільчої коробки та зафіксувати на місці за допомогою затискачів, що входять до комплекту.
- В Електричні дроти необхідно фіксувати за допомогою кабельних стяжок, як показано нижче.



- ② Дроти виходу
- ③ Дріт з'єднання внутрішнього та зовнішнього блока
- ⑥ Лінія живлення (проточний електронагрівач)
- ⑦ Дроти вхідних сигналів / дріт бездротового приймача (опція) (PAR-WR51R-E)
- ⓓ Підключіть кабель, що з'єднує зовнішній блок і гідromодуль, до TB1.
- ⓔ Підключіть кабель живлення для проточного електронагрівача до ECB1.

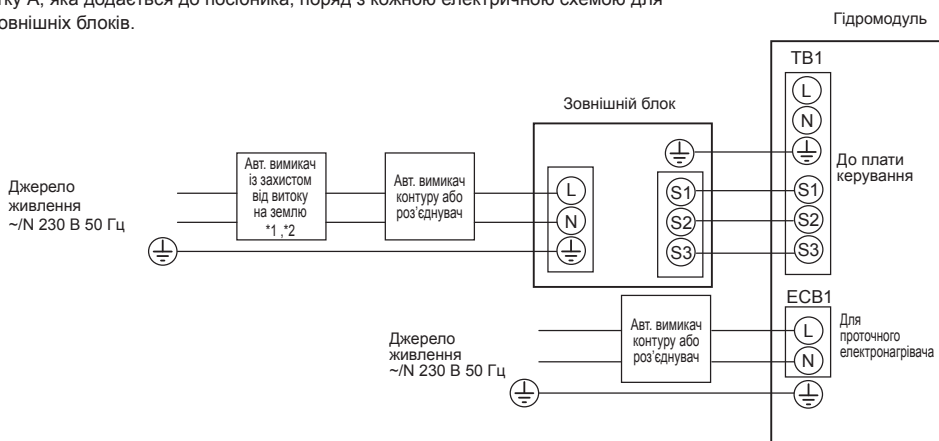
• Переконайтесь, що ECB1 УВІМКНЕНО.

4 Установлення

Гідромодуль із живленням через зовнішній блок
(Якщо ви хочете використовувати окреме джерело, перейдіть на веб-сайт Mitsubishi).

<1 фаза>

Прикріпіть етикетку А, яка додається до посібника, поряд з кожною електричною схемою для гідромодуля та зовнішніх блоків.

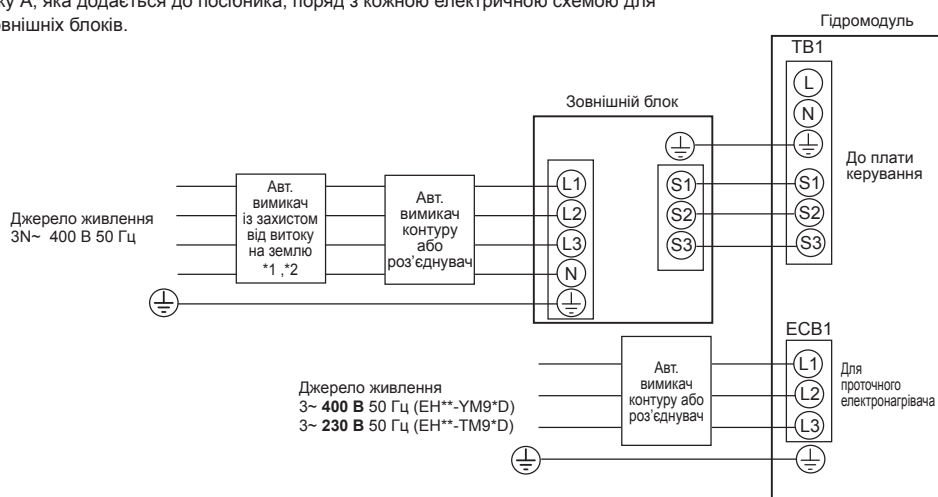


<Рис. 4.4.2>
Електричні з'єднання, 1 фаза

Опис	Джерело живлення	Потужність	Автоматичний вимикач	Дріт
Проточний електронагрівач	~N 230 В 50 Гц	2 кВт	16 А *2	2,5 мм ²
		6 кВт	32 А *2	6,0 мм ²

<3 фази>

Прикріпіть етикетку А, яка додається до посібника, поряд з кожною електричною схемою для гідромодуля та зовнішніх блоків.



<Рис. 4.4.3>
Електричні з'єднання, 3 фази

Опис	Джерело живлення	Потужність	Автоматичний вимикач	Дріт
Проточний електронагрівач	3~ 400 В 50 Гц	9 кВт	16 А *2	2,5 мм ²
	3~ 230 В 50 Гц	9 кВт	32 А *2	6,0 мм ²

Дріт № × Розмір(мм ²)	Гідромодуль – зовнішній блок	*3	3 × 1,5 (полярний)
	Заземлення для гідромодуля – зовнішнього блока	*3	1 × мін. 1,5
Характеристики контуру	Гідромодуль – зовнішній блок S1 – S2	*4	230 В зм. струму
	Гідромодуль – зовнішній блок S2 – S3	*4	24 В пост. струму

- Якщо встановлений автоматичний вимикач із захистом від витоку на землю не має функції захисту від струму перевантаження, установіть автоматичний вимикач із цією функцією на цій самій лінії живлення.
- Необхідно встановити автоматичний вимикач з мінімальною відстанню між контактами 3,0 мм на кожному полюсі. Використовуйте автоматичний вимикач із захистом від витоку на землю (NV). Автоматичний вимикач має забезпечувати відключення всіх провідників активної фази електропостачання.
- Макс. 45 м
Якщо використовується 2,5 мм², то макс. 50 м
Якщо використовується 2,5 мм² і S3 окремо, то макс. 80 м
- Значення, наведені в таблиці вище, не завжди виміряні відносно значення заземлення.

Примітки:

- Розмір дротів має відповідати застосовним місцевим і державним нормам.
- Шнури, що з'єднують внутрішній і зовнішній блоки, не повинні бути легшими за гнучкий шнур із поліхлоропреновою оболонкою (тип 60245 IEC 57). Шнури живлення внутрішнього блока не повинні бути легшими за гнучкий шнур із поліхлоропреновою оболонкою (тип 60227 IEC 53).
- Прокладайте кабель заземлення довший, ніж інші кабелі.
- Забезпечте достатню вихідну потужність джерела живлення для кожного нагрівача. Недостатня потужність джерела живлення може спричинити вібрації.

5 Налаштування системи

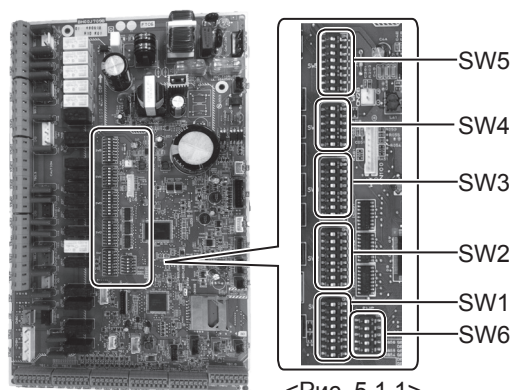
5.1 Функції DIP-перемикачів

Номер DIP-перемикача вказано на друкованій платі поряд з відповідними перемикачами. Слово ON (Увімк.) зазначено на друкованій платі та на самому DIP-перемикачі. Щоб перемістити перемикач, потрібно скористатися шпилькою, кутком тонкої металевої лінійки або подібним предметом.

Налаштування DIP-перемикачів зазначені нижче в таблиці 5.1.1.

Лише вповноважений фахівець з установлення може змінювати налаштування DIP-перемикачів під власну відповідальність відповідно до умов установлення.

Перед зміненням налаштувань перемикачів обов'язково вимкніть джерела живлення як внутрішнього, так і зовнішнього блоків.



<Рис. 5.1.1>

DIP-перемикач	Функція	ВИМК.	УВИМК.	Налаштування за замовчуванням: Модель внутрішнього блока			
SW1	SW1-1 Бойлер	БЕЗ бойлера	З бойлером	ВИМК.			
	SW1-2 Макс. температура води на виході з теплового насоса	55°C	60°C	УВИМК. *1			
	SW1-3 Бак ГВП	БЕЗ бака ГВП	З баком ГВП	ВИМК.			
	SW1-4 Занурний електронагрівач	БЕЗ занурного електронагрівача	Із занурним електронагрівачем	ВИМК.			
	SW1-5 Проточний електронагрівач	БЕЗ проточного електронагрівача	З проточним електронагрівачем	ВИМК.: E***-MED УВИМК.: E***-M2/6/9*D			
	SW1-6 Функція проточного електронагрівача	Тільки для опалення	Для опалення та ГВП	ВИМК.: E***-MED УВИМК.: E***-M2/6/9*D			
	SW1-7 Тип зовнішнього блока	Моделі типу спліт	Моноблочні моделі	ВИМК.: Крім EHPX-*M**D УВИМК.: EHPX-*M**D			
	SW1-8 Бездротовий контролер	БЕЗ бездротового контролера	З бездротовим контролером	ВИМК.			
SW2	SW2-1 Зміна вхідної логіки (IN1) для кімнатного термостата 1	Зупинення роботи Зони 1 в замкнутому стані термостата	Зупинення роботи Зони 1 в розімкнутому стані термостата	ВИМК.			
	SW2-2 Зміна вхідної логіки (IN2) для перемикача потоку 1	Виявлення несправності в замкнутому стані	Виявлення несправності в розімкнутому стані	ВИМК.			
	SW2-3 Обмеження потужності проточного електронагрівача	Неактивно	Активно	ВИМК.: Крім E***-VM2D УВИМК.: E***-VM2D			
	SW2-4 Функція режиму охолодження	Неактивно	Активно	ВИМК.: ERS*-*M**D УВИМК.: E***-VM2D			
	SW2-5 Автоматичне перемикання в режим роботи резервного джерела тепла (якщо зовнішній блок зупинився через помилку)	Неактивно	Активно *2	ВИМК.			
	SW2-6 Змішувальний бак	БЕЗ змішувального бака ГВП	Із змішувальним баком ГВП	ВИМК.			
	SW2-7 2-зонне керування температурою	Неактивно	Активно *6	ВИМК.			
	SW2-8 Датчик потоку	БЕЗ датчика потоку	З датчиком потоку	УВИМК.			
SW3	SW3-1 Зміна вхідної логіки для кімнатного термостата 2	Зупинення роботи Зони 2 в замкнутому стані термостата	Зупинення роботи Зони 2 в розімкнутому стані термостата	ВИМК.			
	SW3-2 Зміна вхідної логіки для перемикача потоку 2 та 3	Виявлення несправності в замкнутому стані	Виявлення несправності в розімкнутому стані	ВИМК.			
	SW3-3	—	—	ВИМК.			
	SW3-4 Лічильник електроенергії	БЕЗ лічильника електроенергії	З лічильником електроенергії	ВИМК.			
	SW3-5 Функція режиму опалення *3	Неактивно	Активно	УВИМК.			
	SW3-6 2-зонне керування ввімкненням/вимкненням клапана	Неактивно	Активно	ВИМК.			
	SW3-7 Теплообмінник для ГВП	Зміювик у баку	Зовнішній пластинчатий теплообмінник	ВИМК.			
	SW3-8 Лічильник тепла	БЕЗ лічильника тепла	З лічильником тепла	ВИМК.			
SW4	SW4-1 Керування кількома зовнішніми блоками	Неактивно	Активно	ВИМК.			
	SW4-2 Положення керування кількома зовнішніми блоками *7	Підпорядкований	Головний	ВИМК.			
	SW4-3	—	—	ВИМК.			
	SW4-4 Робота тільки внутрішнього блока (під час робіт з установлення) *4	Неактивно	Активно	ВИМК.			
	SW4-5 Аварійний режим (працює тільки електронагрівач)	Звичайний	Аварійний режим (працює тільки електронагрівач)	ВИМК. *5			
	SW4-6 Аварійний режим (працює тільки бойлер)	Звичайний	Аварійний режим (працює тільки бойлер)	ВИМК. *5			
SW5	SW5-1	—	—	ВИМК.			
	SW5-2 Розширена автоматична адаптація	Неактивно	Активно	УВИМК.			
	SW5-3	Код продуктивності					
	SW5-4		SW5-3	SW5-4	SW5-5	SW5-6	SW5-7
	SW5-5	E*SC-*M**D	УВИМК.	УВИМК.	УВИМК.	УВИМК.	ВИМК.
	SW5-6	E*SD-*M**D	УВИМК.	ВИМК.	ВИМК.	УВИМК.	ВИМК.
	SW5-7	E*SE-*M*ED	ВИМК.	УВИМК.	УВИМК.	ВИМК.	УВИМК.
	SW5-8	EHPX-*M**D	ВИМК.	ВИМК.	ВИМК.	ВИМК.	ВИМК.
SW6	SW6-1	—	—	ВИМК.			
	SW6-2	—	—	ВИМК.			
	SW6-3 Датчик тиску	Неактивно	Активно	ВИМК.: крім E*SD-*M**D УВИМК.: E*SD-*M**D			
	SW6-4 Аналоговий вихід	Неактивно	Активно	ВИМК.			
	SW6-5	—	—	ВИМК.			

<Таблиця 5.1.1>

- Примітка: *1. Якщо гідромодуль підключено до зовнішнього блока PUMY-P з максимальною температурою води на виході 55°C, DIP-перемикач SW1-2 необхідно перевести в положення ВИМК.
 *2. OUT11 буде доступним. З міркувань безпеки ця функція недоступна для певних помилок. (У такому разі роботу необхідно зупинити, має працювати тільки циркуляційний водяний насос).
 *3. Цей перемикач працює, тільки якщо гідромодуль підключено до зовнішнього блока PUHZ-FRP. Якщо підключено інший тип зовнішнього блока, функція режиму опалення буде активною незалежно від положення, у якому перебуває перемикач (УВИМК. або ВИМК).
 *4. Функції опалення та ГВП можуть працювати тільки у внутрішньому блоці, як і електричний електронагрівач. (Див. розділ «5.4 Робота тільки внутрішнього блока».)
 *5. Якщо вже не потрібно використовувати аварійний режим, переведіть перемикач у положення ВИМК.
 *6. Активно, тільки коли SW4-6 встановлено на ВИМК.
 *7. Активно, тільки коли SW4-1 встановлено на УВИМК.

5 Налаштування системи

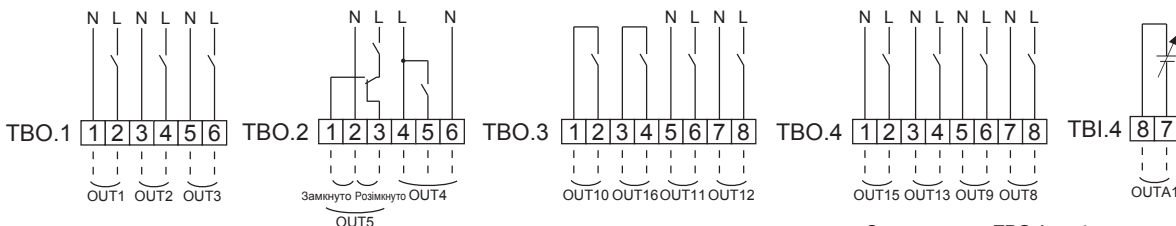
Виходи

Найменування	Клемна колодка	З'єднувач	Елемент	ВИМК.	УВИМК.	Сигнал/макс.струм	Макс. загальний струм
OUT1	TBO.1 1-2	CNP1	Вихід циркуляційного водяного насоса 1 (режим опалення/охолодження та ГВП)	ВИМК.	УВИМК.	230В зм. струму, 1,0А макс. (пусковий струм 40А макс.)	4,0А (а)
OUT2	TBO.1 3-4	—	Вихід циркуляційного водяного насоса 2 (опалення/охолодження для Зони 1)	ВИМК.	УВИМК.	230В зм. струму, 1,0А макс. (пусковий струм 40А макс.)	
OUT3	TBO.1 5-6	—	Вихід циркуляційного водяного насоса 3 (опалення/охолодження для Зони 2) *1	ВИМК.	УВИМК.	230В зм. струму, 1,0А макс. (пусковий струм 40А макс.)	
OUT14	—	CNP4	Вихід циркуляційного водяного насоса 4 (ГВП)	ВИМК.	УВИМК.	230В зм. струму, 1,0А макс. (пусковий струм 40А макс.)	
OUT4	TBO.2 4-6	CNV1	Вихід 3-ходового клапана (2-ходовий клапан 1)	Опалення	ГВП	230В зм. струму, 0,1А макс.	3,0А (б)
	—	CN851	Вихід 3-ходового клапана				
OUT5	TBO.2 1-2	—	Вихід змішувального клапана *1	Зупинення	Замкнено	230В зм. струму, 0,1А макс.	
	TBO.2 2-3				Розімкнуто		
OUT6	—	CNBH 1-3	Вихід проточного електронагрівача 1	ВИМК.	УВИМК.	230В зм. струму, 0,5А макс. (реле)	
OUT7	—	CNBH 5-7	Вихід проточного електронагрівача 2	ВИМК.	УВИМК.	230В зм. струму, 0,5А макс. (реле)	
OUT8	TBO.4 7-8	—	Вихід сигналу охолодження	ВИМК.	УВИМК.	230В зм. струму, 0,5А макс.	
OUT9	TBO.4 5-6	CNIH	Вихід занурного електронагрівача	ВИМК.	УВИМК.	230В зм. струму, 0,5А макс. (реле)	
OUT11	TBO.3 5-6	—	Вихід помилки	Звичайний	Помилка	230В зм. струму, 0,5А макс.	
OUT12	TBO.3 7-8	—	Вихід розморожування	Звичайний	Розморожування	230В зм. струму, 0,5А макс.	
OUT13	TBO.4 3-4	—	Вихід 2-ходового клапана 2а *2	ВИМК.	УВИМК.	230В зм. струму, 0,1А макс.	
OUT15	TBO.4 1-2	—	Комп. сигнал УВИМК.	ВИМК.	УВИМК.	230В зм. струму, 0,5А макс.	
OUT10	TBO.3 1-2	—	Вихід бойлера	ВИМК.	УВИМК.	Безпотенціальний контакт 220–240В зм. струму (30В пост. струму)	—
OUT16	TBO.3 3-4	—	Сигнал УВИМК. термост. опалення/охолодження	ВИМК.	УВИМК.	0,5А або менше 10mA 5В пост. струму або більше	
OUTA1	TBI.4 7-8	—	Аналоговий вихід	0 V-10 V		0–10В пост. струму 5мА макс.	—

Не виконуйте підключення до клем, позначених як «—» у полі «Клемна колодка».

*1 Для 2-зонного керування температурою.

*2 Для 2-зонного керування ввімкненням/вимкненням клапана.



Застосування TBO.1 до 4

Технічні характеристики дротів і компоненти, що купуються окремо

Елемент	Найменування	Модель і технічні характеристики
Функція зовнішнього виходу	Дріт виходу	Використовуйте шнур або кабель, вкритий вініловою оболонкою Макс. 30 м Тип дроту: CV, CVS або еквівалентний Розмір дроту: Багатожильний дріт від 0,25 мм ² до 1,5 мм ² Одножильний дріт: від 0,25 мм ² до 1,5 мм ²



Підключення має здійснюватися одним із зазначених вище способів.

<Рис. 5.2.2>

Примітка:

- Коли живлення гідромодуля забезпечується через зовнішній блок, максимальний загальний струм (а)+(б) становить 3,0 А.
- Не підключайте кілька циркуляційних водяних насосів безпосередньо до кожного виходу (OUT1, OUT2 та OUT3). У цьому разі підключайте їх через реле (а).
- Не підключайте циркуляційні водяні насоси до TBO.1 1-2 та CNP1 одночасно.
- Підключіть відповідний поглинач імпульсів перенапруги до виходу OUT10 (TBO.3 1-2) залежно від навантаження в місці встановлення пристрою.
- До одножильного дроту необхідно застосовувати вкриту ізоляційну клему (тип, сумісний зі стандартом DIN46228-4).
- Для OUTA1 використовуйте такий самий тип дроту, що й дріт вхідного сигналу.

5.3 Монтаж електропроводки для 2-зонного керування температурою

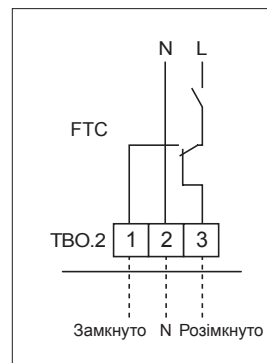
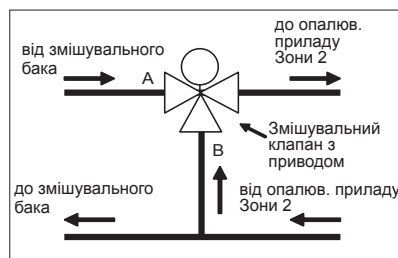
Необхідно підключати трубопроводи й компоненти, придбані окремо, згідно з відповідною схемою контуру, наведеною в розділі 3 «Локальна система» цього посібника.

<Змішувальний клапан>

Підключіть лінію сигналу до розімкнутого порту А (вихідний порт гарячої води) до TBO. 2-3 (розімкнуто), лінію сигналу до розімкнутого порту В (вихідний порт холодної води) до TBO. 2-1 (закрито), а нейтральний дріт до TBO. 2-2 (N).

<Термістор>

- Не встановлюйте термістори на змішувальному баку.
- Установіть термістор температури прямого потоку Зони 2 (THW8) поряд зі змішувальним клапаном.
- Максимальна довжина дротів термістора становить 30 м.
- Довжина дротів додаткових термісторів становить 5 м. Якщо необхідно з'єднати дроти та подовжити їх, виконайте зазначені нижче дії.
 - З'єднайте дроти шляхом спаявання.
 - Ізолюйте кожну точку з'єднання від пилу та води.



5.4 Робота тільки внутрішнього блока (під час робіт з установлення)

Коли необхідно перейти в режим роботи ГВП або опалення перед підключенням зовнішнього блока (наприклад, під час робіт з установлення), можна використовувати електронагрівач у внутрішньому блоці (*1).

*1 Тільки в моделях з електричним нагрівачем.

1. Початок роботи

- Перевірте, чи вимкнено живлення внутрішнього блока, і переведіть DIP-перемикач 4-4 і 4-5 у положення УВІМК.
- Увімкніть живлення внутрішнього блока.

2. Завершення роботи *2

- Вимкніть живлення внутрішнього блока.
- Переведіть DIP-перемикач 4-4 і 4-5 у положення ВИМК.

*2 Якщо завершено роботу тільки внутрішнього блока, обов'язково перевірте налаштування після повторного підключення зовнішнього блока.

Примітка:

Робота в цьому режимі протягом тривалого часу може зменшити термін служби електричного нагрівача.


5.5 Використання картки пам'яті SD

Гідромодуль оснащено інтерфейсом картки пам'яті SD в FTC.

Використання картки пам'яті SD дає змогу спростити налаштування головного контролера і зберігати журнали роботи. *1

*1 Щоб редагувати налаштування головного контролера або переглянути робочі дані, потрібен інструмент обслуговування Escodap (для використання з ПК).

<Застереження щодо поводження>

- (1) Використовуйте картку пам'яті SD, яка відповідає стандартам SD. Переконайтеся, що на картці пам'яті SD є один з логотипів, показаних праворуч.
 - (2) До карток пам'яті SD, які відповідають стандартам SD, належать SD, SDHC, miniSD, micro SD та microSDHC. Доступний обсяг пам'яті становить до 32 ГБ. Виберіть картку пам'яті, для якої максимальна припустима температура становить 55°C.
 - (3) Якщо як картка пам'яті SD використовується картка пам'яті miniSD, miniSDHC, microSD або microSDHC, використовуйте перехідник для карток пам'яті SD.
 - (4) Перш ніж записувати дані на картку пам'яті SD, зніміть перемикач захисту від записування.
- 
- (5) Перш ніж вставляти або виймати картку пам'яті SD, обов'язково вимкніть живлення системи. Якщо вставити або вийняти картку SD, коли живлення системи ввімкнено, збережені дані може бути спотворено або може бути пошкоджено картку пам'яті SD.
* Картка пам'яті SD працює ще деякий короткий час після вимкнення живлення системи. Перед тим як вставляти або виймати картку, зачекайте, доки не згаснуть всі світлодіодні індикатори на платі керування FTC.
 - (6) Операції зчитування та записування було перевірено для зазначених нижче карток пам'яті SD, однак ці операції не завжди гарантовано, оскільки технічні характеристики цих карток пам'яті SD можуть змінюватися.

- (7) Обов'язково дотримуйтесь інструкцій і вимог виробника картки пам'яті SD.
- (8) Відформатуйте картку пам'яті SD, якщо її визначено як непридатну до зчитування на кроці (6). Це може зробити картку придатною до зчитування.
Завантажте засіб форматування SD-картки із зазначеного нижче веб-сайту.
Головна сторінка SD Association: <https://www.sdcard.org/home/>
- (9) FTC підтримує файлову систему FAT і не підтримує файлову систему NTFS.
- (10) Компанія Mitsubishi Electric не несе жодної відповідальності за будь-які збитки, у цілому або частково, включно зі збитками, спричиненими неможливістю записування даних на картку пам'яті SD, пошкодженням чи втратою збережених даних або з будь-якої іншою схожою причини. У разі необхідності виконуйте резервне копіювання збережених даних.
- (11) Не торкайтеся жодних електронних частин на платі керування FTC під час встановлення або виймання картки пам'яті SD, тому що це може призвести до неполадок в її роботі.

Логотипи



Обсяги пам'яті

Від 2 ГБ до 32 ГБ *2

Класи швидкості SD

Усі

- Логотип SD є торговельною маркою компанії SD-3C, LLC.
- Логотип miniSD є торговельною маркою компанії SD-3C, LLC.
- Логотип microSD є торговельною маркою компанії SD-3C, LLC.

*2 На картці пам'яті SD з обсягом пам'яті 2 ГБ можна зберегти дані журналів роботи щонайбільше за 30 днів.

Виробник	Модель	Дата тестування
Verbatim	#44015	Бер. 2012 р.
SanDisk	SDSDB-002G-B35	Жовт. 2011 р.
Panasonic	RP-SDP04GE1K	Жовт. 2011 р.
Arvato	2GB PS8032 TSB 24nm MLC	Черв. 2012 р.
Arvato	2GB PS8035 TSB A19nm MLC	Лип. 2014 р.
SanDisk	SDSDUN-008G-G46	Жовт. 2016 р.
Verbatim	#43961	Жовт. 2016 р.
Verbatim	#44018	Жовт. 2016 р.
VANTASTEK	VSDHC08	Вересень. 2017 р.

Перед використанням нової картки пам'яті SD (включно з картою, яка постачається в комплекті з пристроєм), завжди перевіряйте, чи можливе безпечно зчитування даних з картки пам'яті й записування на неї контролером FTC.

<Як перевірити операції зчитування та записування>

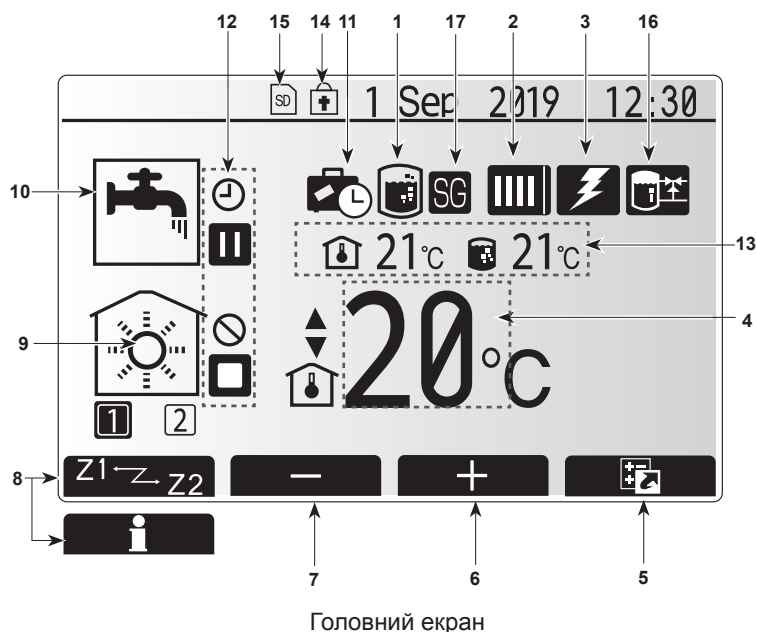
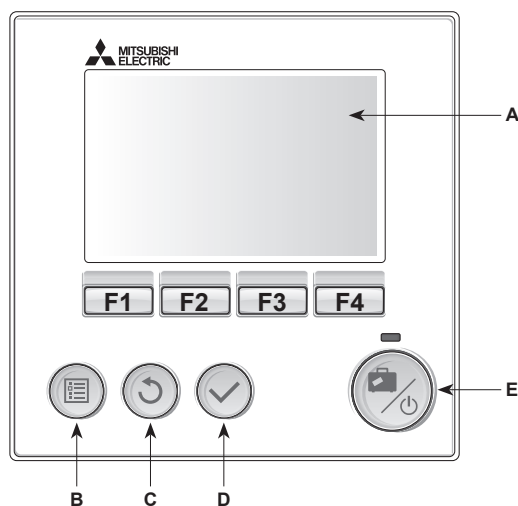
- а) Перевірте, чи правильно підключено електроживлення до системи.
Докладніше див. у розділі 4.4.
(Не вмикайте живлення системи на цьому етапі).
- б) Вставте картку пам'яті SD.
- в) Увімкніть живлення системи.
- г) Світлодіодний індикатор LED4 почне світитися, якщо операції зчитування та запису буде успішно виконано. Якщо індикатор LED4 продовжує блимати або не світиться, це означає, що контролер FTC не може зчитувати дані з картки пам'яті SD або записувати їх на неї.

5 Налаштування системи

5.6 Головний контролер

Щоб змінити настройки системи опалення/охолодження, використовуйте головний контролер на передній панелі гідромодуля або гідромодуля з накопичувальним баком ГВП. Наведена інформація є інструкцією стосовно перегляду головних настройок. Якщо Вам необхідна більш докладна інформація, зверніться до Вашого установника або місцевого дилера Mitsubishi Electric.

Режим охолодження доступний тільки для серії ERS. Однак режим охолодження недоступний, якщо внутрішній блок підключений до PUHZ-FRP.



<Компоненти головного контролера>

Символ	Найменування	Функція
A	Екран	Екран, на якому відображається вся інформація.
B	Меню	Доступ до налаштувань системи для початкового встановлення й редагування.
C	Назад	Повернення до попереднього меню.
D	Підтвердити	Використовується для вибору або збереження. (Кнопка уведення)
E	Живлення/ режим відпустки	Якщо систему вимкнено, її можна ввімкнути, натиснувши кнопку один раз. Повторне натискання на кнопку, коли система вже включена, активує режим відпустки. Якщо кнопку натиснути і утримувати протягом 3 секунд, система вимикається. (*1)
F 1-4	Функціональні кнопки	Використовуються для прокручування меню й регулювання настройок. Функція визначається екранним меню на екрані А.

*1

Коли система відключена або живлення вимкнене, функції захисту внутрішнього блоку (наприклад, захист від замерзання) НЕ працюють. Майте на увазі, що, якщо ці захисні функції не включити, внутрішній блок може зазнати пошкоджень.

<Символи головного екрану>

	Символ	Опис
1	Знезаражування від легіонели	Коли відображається цей символ, активований «режим знезаражування від легіонели».
2	Тепловий насос	Працює «тепловий насос»
		Відтавання
		Екстремне опалення
		Активовано «Тихий режим».
3	Електричний нагрівач	Цей символ відображає використання «електричного нагрівача» (заглибного або проточного).
4	Цільова температура	Цільова температура потоку
		Цільова температура в приміщенні
		Погодозалежне керування опаленням
5	ОПЦІЇ	При натисканні функціональної кнопки під цим символом буде відобразитися екран опцій.
6	+	Збільшення бажаної температури.
7	-	Зменшення бажаної температури.
8	Z1 Z2	Натискання функціональної кнопки під цим символом перемикає режими Зона 1 і Зона 2.
	Інформація	При натисканні функціональної кнопки під цим символом відображається екран інформації.
9	Режим опалення (охолодження)	Режим опалення Зона 1 або Зона 2
		Режим охолодження Зона 1 або Зона 2
10	Режим ГВП	Стандартний або економічний режим
11	Режим відпустки	Цей символ відображається, коли активований «режим відпустки».
12	Таймер	
	Заборона	
	Контроль сервера	
	Режим очікування	
	Режим очікування (*2)	
	Зупинення	
	Робота	
13	Поточна температура	Поточна температура в приміщенні
		Поточна температура води в баку ГВП
14	Кнопку меню заблоковано, або перемикання між режимами роботи ГВП і опалення вимкнено на екрані опцій. (*3)	
15	SD-карта пам'яті (НЕ для користувача) вставлена.	
16	Керування буферним баком	Коли відображається ця піктограма, це означає, що активовано режим «Керування буферним баком».
17	Інтелектуальна мережа	Коли відображається ця піктограма, це означає, що режим «Інтелектуальна мережа» активовано.

*2 Цей пристрій у режимі очікування під час пріоритетної роботи іншого (інших) внутрішнього блоку.

*3 Щоб заблокувати або розблокувати меню, одночасно натисніть кнопки «НАЗАД» і «ПІДТВЕРДИТИ» та утримуйте їх протягом 3 секунд.

5 Налаштування системи

■ [Initial setting wizard] (Майстер початкового налаштування)

Під час першого ввімкнення головного контролера по черзі автоматично відображаються екран налаштування мови, екран установлення дати й часу й екран меню основних налаштувань. Введіть потрібне число за допомогою функціональних клавіш і натисніть кнопку CONFIRM (ПІДТВЕРДИТИ).

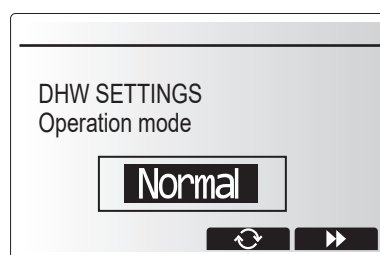
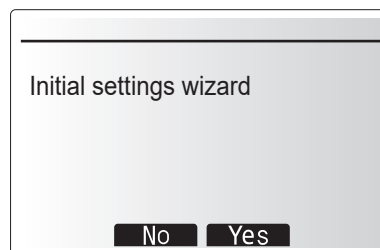
Примітка:

<[HEATER CAPACITY RESTRICTION] (ОБМЕЖЕННЯ ПОТУЖНОСТІ НАГРІВАЧА)>

Це налаштування обмежує потужність проточного електронагрівача. Його НЕМОЖЛИВО змінити після запуску.

Якщо у вашій країні немає жодних спеціальних вимог (наприклад, норм будівництва), пропустіть це налаштування (виберіть No (Ні)).

- [Hot water (DHW/Legionella)](Гаряча вода (ГВП/легіонела))
- [Heating](Опалення)/[Cooling](Охолодження)
- [Operation (ON/Prohibited/Timer)] (Експлуатація (УВІМК./Заборона/Таймер))
- [Pump speed] (Продуктивність насоса)
- [Heat pump flow rate range] (Діапазон швидкості потоку теплового насоса)
- [Mixing valve control] (Керування змішувальним клапаном)
- [HEATER CAPACITY RESTRICTION] (ОБМЕЖЕННЯ ПОТУЖНОСТІ НАГРІВАЧА)



■ Головне меню налаштувань

Щоб відкрити меню налаштувань, натисніть кнопку MENU (МЕНЮ). Щоб зменшити ризик випадкової зміни налаштувань користувачем без спеціальної кваліфікації, передбачено два рівні доступу до основних налаштувань; крім того, розділ обслуговування в меню захищено паролем.

Рівень користувача – коротке натискання

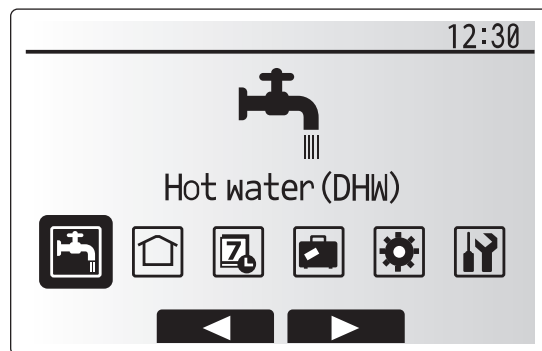
Якщо кнопку MENU (МЕНЮ) натиснути один раз на короткий час, відобразяться основні налаштування, але без функції редагування. Це дасть змогу користувачу переглядати поточні налаштування, але він НЕ зможе змінювати параметри.

Рівень фахівця з установлення – довге натискання

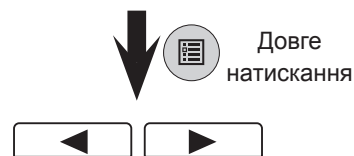
Якщо кнопку MENU (МЕНЮ) натиснути й утримувати протягом 3 секунд, відобразяться основні налаштування з усіма доступними функціями. Колір кнопок ◀▶ буде змінено на протилежний, як показано на рисунку праворуч. <Рис. 5.6.1>.

Можна переглядати та/або змінювати наведені нижче елементи (залежно від рівня доступу).

- [Domestic Hot water (DHW)] (Гаряча вода (ГВП) для побутового використання)
- [Heating/Cooling] (Опалення/Охолодження)
- [Schedule timer] (Програмувальний таймер)
- [Holiday mode] (Режим відпустки)
- [Initial settings] (Початкові налаштування)
- [Service (Password protected)] (Обслуговування (захищено паролем))



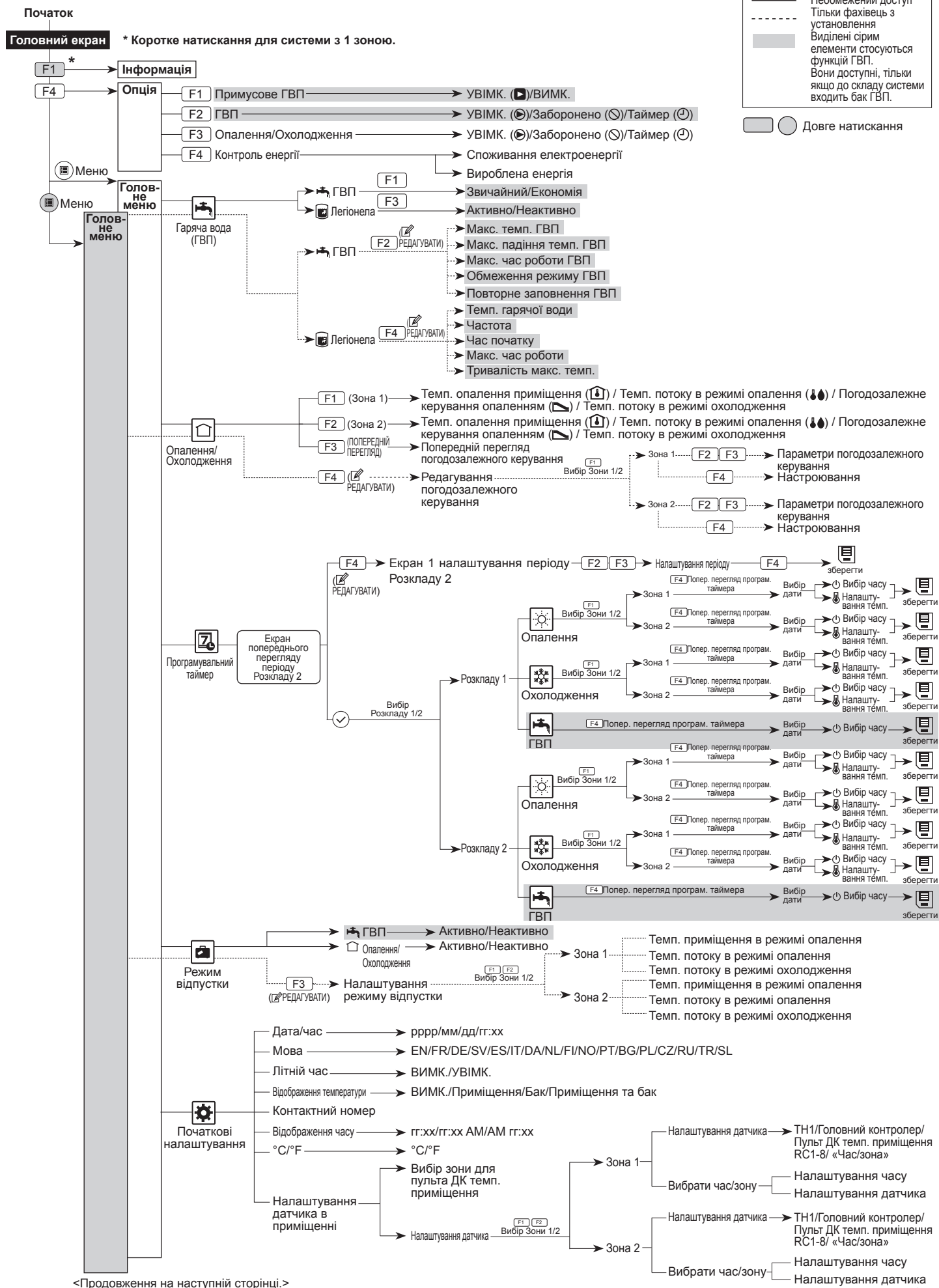
Головне меню



<Рис. 5.6.1>

5 Налаштування системи

<Дерево меню головного контролера>

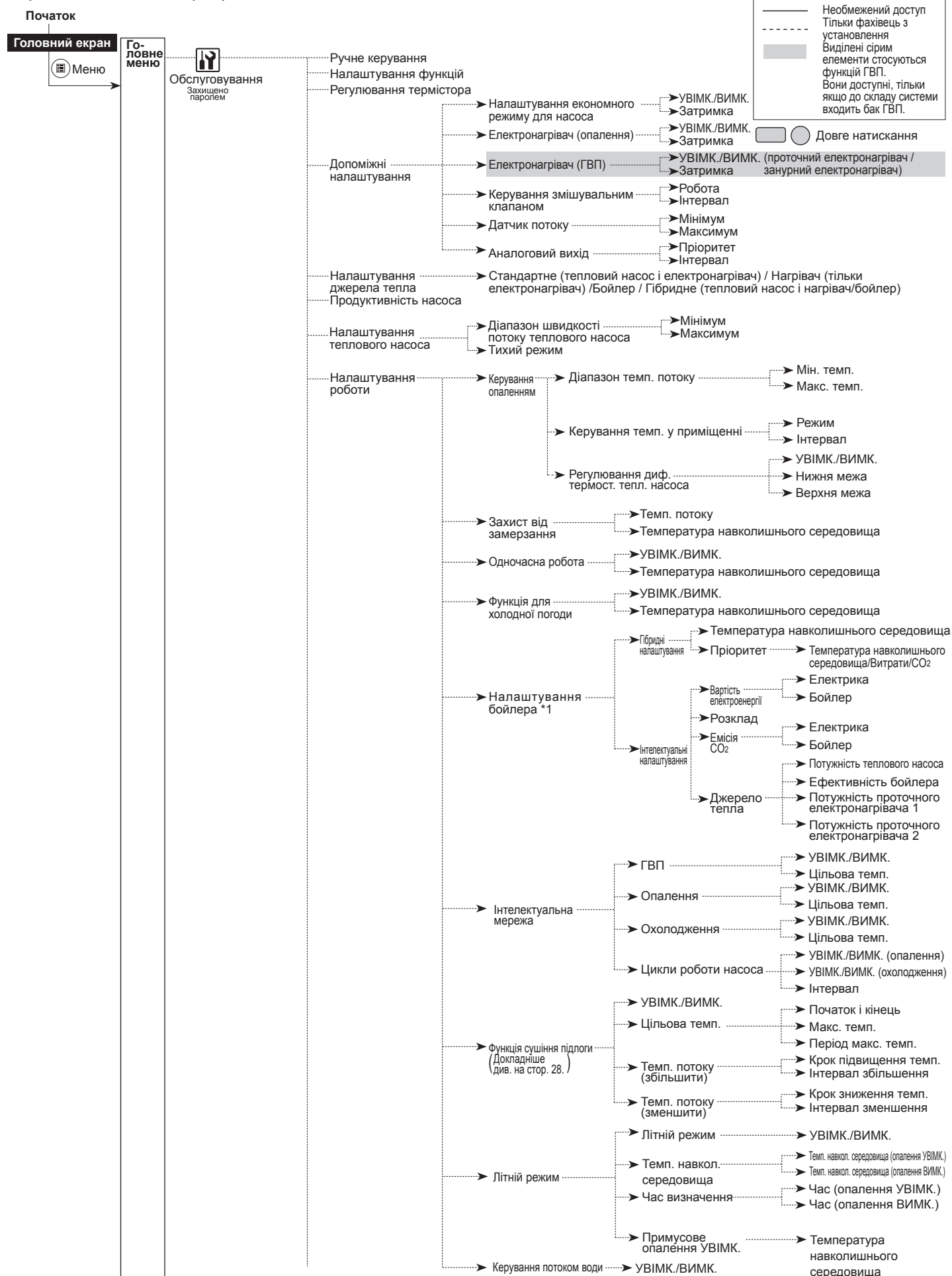


<Продовження на наступній сторінці.>

5 Налаштування системи

<Початок на попередній сторінці.>

<Дерево меню головного контролера>



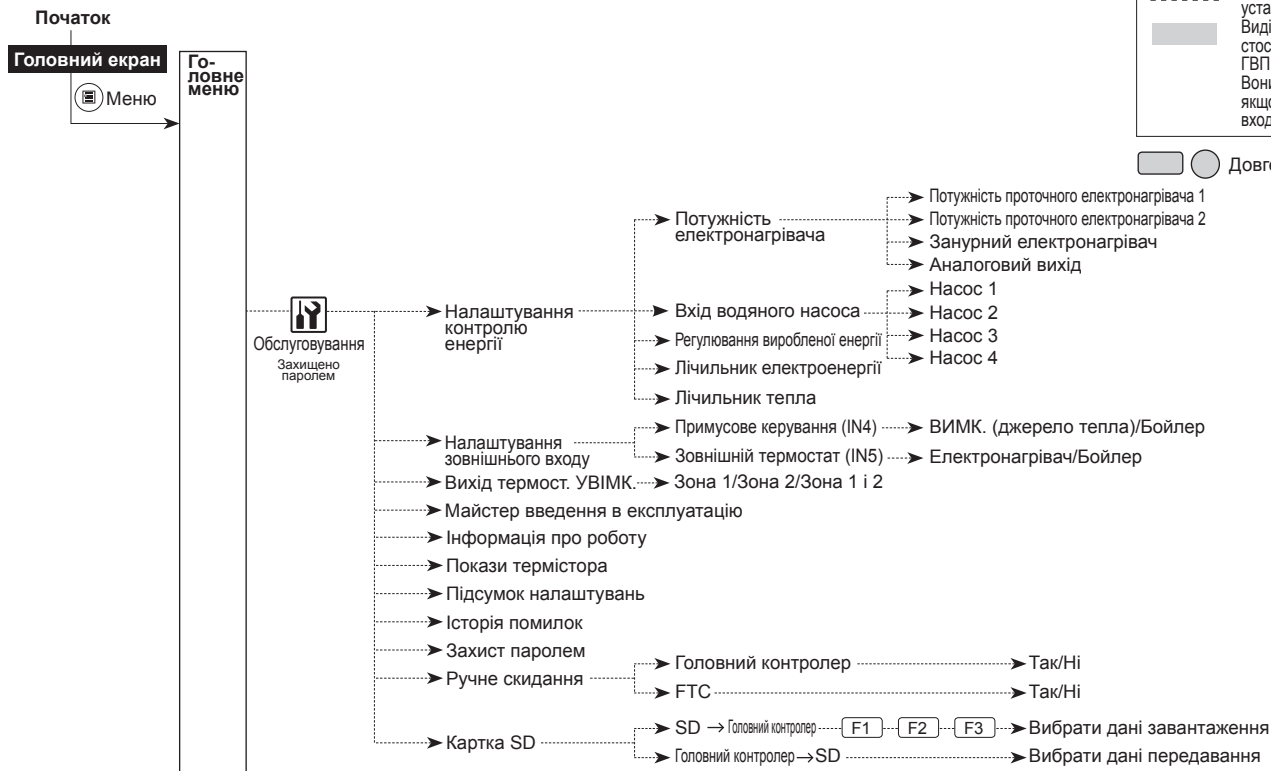
<Продовження на наступній сторінці.>

*1 Докладніше див. у посібнику з установлення PAC-TH012HT(L)-E.

5 Налаштування системи

<Початок на попередній сторінці.>

<Дерево меню головного контролера>



— Необмежений доступ
Тільки фахівець з
установлення
- - - Виділені сірим елементи
стосуються функцій
ГВП.
Вони доступні, тільки
якщо до складу системи
входить бак ГВП.

○ Довге натискання

Гаряча вода для побутового використання (ГВП)/ Знезаражування від легіонели

За допомогою меню «гаряча вода для побутового використання» та «знезаражування від легіонели» здійснюється керування нагріванням бака ГВП з підвищеною температурою.

<Налаштування режиму ГВП>

1. Виділіть піктограму гарячої води та натисніть CONFIRM (ПІДТВЕРДИТИ).
2. Використовуйте кнопку F1 для перемикання між режимами опалення «Normal» (Звичайний) та «ECO» (Економія).
3. Щоб редагувати режим, натисніть кнопку MENU (МЕНЮ) та утримуйте протягом 3 секунд, а потім виберіть «hot water» (гаряча вода).
4. Натисніть клавішу F2, щоб відобразити меню HOTWATER (DHW) SETTING (НАЛАШТУВАННЯ ГАРЯЧОЇ ВОДИ (ГВП)).
5. Використовуйте клавіші F2 та F3, щоб прокручувати меню та вибирати кожний компонент по черзі, натискаючи кнопку CONFIRM (ПІДТВЕРДИТИ). У таблиці нижче наведено опис кожного налаштування.
6. Введіть потрібне число за допомогою функціональних клавіш і натисніть кнопку CONFIRM (ПІДТВЕРДИТИ).



Підзаголовок меню	Функція	Діапазон	Одиниці	Значення за замовчуванням
DHW max. temp. (Макс. темп. ГВП)	Необхідна температура гарячої води в баку	40–60	°C	50
DHW max. temp. drop (Макс. падіння темп. ГВП)	Різниця між максимальною температурою ГВП та температурою перезапуску режиму ГВП	5–30 *	°C	10
DHW max. operation time (Макс. час роботи ГВП)	Максимальний припустимий час для нагрівання води в баку в режимі ГВП	30–120	хв	60
DHW mode restriction (Обмеження режиму ГВП)	Проміжок часу після роботи в режимі ГВП, протягом якого опалення тимчасово має пріоритет над режимом ГВП, що запобігає подальшому нагріванню води в баку (Тільки якщо перевищено максимальний час роботи ГВП).	30–120	хв	30

* Коли максимальну температуру ГВП встановлено на значення, більше ніж 55 °C, температура перезапуску режиму ГВП повинна бути нижчою за 50 °C для захисту пристрою.

<Режим економії>

Режим ГВП може працювати в режимі Normal (Звичайний) або Eco (Економія). У звичайному режимі вода в баку ГВП нагріватиметься швидше за рахунок використання повної потужності теплового насоса. У режимі економії вода в баку ГВП нагріватиметься повільніше, але буде скорочено енергоспоживання. Це відбувається тому, що робота теплового насоса обмежується за допомогою сигналів з FTC на основі вимірної температури в баку ГВП.

Примітка: Фактичний обсяг електроенергії, заощаджений у режимі економії, залежатиме від температури зовнішнього повітря.

<[DHW recharge] (Повторне заповнення ГВП)>

Виберіть об'єм бака ГВП. Якщо необхідно багато гарячої води, виберіть LARGE (ВЕЛИКИЙ).

Поверніться в меню ГВП/знезаражування від легіонели.

5 Налаштування системи

Налаштування режиму знезаражування від легіонели (режим LP)

1. Використовуйте кнопку F3, щоб вибрати для активації режиму знезаражування від легіонели значення YES/NO (ТАК/НІ).
2. Щоб редагувати функцію знезаражування від легіонели, натисніть кнопку MENU (МЕНЮ) та утримуйте протягом 3 секунд, а потім виберіть «hot water» (гаряча вода) та натисніть клавішу F4.
3. Використовуйте клавіші F1 та F2, щоб прокручувати меню та вибрати кожний підзаголовок по черзі, натискаючи кнопку CONFIRM (ПІДТВЕРДИТИ). У таблиці нижче наведено опис кожного налаштування.
4. Введіть потрібне число за допомогою функціональних клавіш і натисніть кнопку CONFIRM (ПІДТВЕРДИТИ).

У режимі знезаражування від легіонели температура води, що зберігається в баку, піднімається вище 60°C для пригнічення росту бактерії легіонели. Наполегливо рекомендується регулярно використовувати цей режим. Ознайомтеся з місцевими нормами щодо рекомендованої частоти нагрівань з підвищеною температурою.

Примітка: У разі виникнення несправностей у гідромодулі режим LP може не працювати належним чином.

Підзаголовок меню	Функція	Діапазон	Одиниці	Значення за замовчуванням
Hot water temp. (Темп. гарячої води)	Необхідна температура гарячої води в баку	60–70	°C	65
Frequency (Частота)	Час між нагріваннями бака ГВП з підвищеною температурою в режимі LP	1–30	день	15
Start time (Час початку)	Час, коли буде запущено режим LP	0:00–23:00	-	03:00
Max. operation time (Макс. час роботи)	Максимально допустимий час для нагрівання бака ГВП в режимі LP	1–5	год	3
Duration of max. temp. (Тривалість макс. темп.)	Проміжок часу після досягнення необхідної температури води в режимі LP	1–120	хв	30

Зверніть увагу, що в режимі LP використовується електронагрівач додатково до енергопостачання з теплового насоса. Нагрівання води протягом тривалого часу є неефективним і збільшує експлуатаційні витрати. Фахівець з установлення повинен ретельно зважити необхідність використання режиму знезаражування від легіонели, щоб не витратити зайву енергію на нагрівання води в баку протягом тривалого часу. Кінцевий користувач повинен розуміти важливість цієї функції.
ЗАВЖДИ ДОТРИМУЙТЕСЯ МІСЦЕВИХ І ДЕРЖАВНИХ НОРМ СВОЄЇ КРАЇНИ ЩОДО ЗНЕЗАРАЖУВАННЯ ВІД ЛЕГІОНЕЛИ.

[Initial settings] (Початкові налаштування)

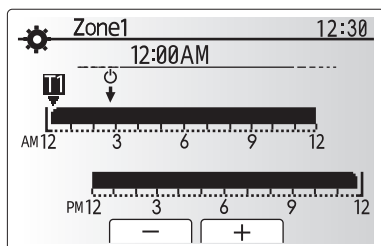
У меню початкових налаштувань фахівець з установлення може задати значення наведених нижче параметрів.

- [Date/Time] (Дата/Час) *Установить на місцевий стандартний час.
- [Language] (Мова)
- [Summer time] (Літній час)
- [Temp. display] (Відображення температури)
- [Contact number] (Контактний номер)
- [Time display] (Відображення часу)
- [°C/°F]
- [Room sensor settings] (Налаштування датчика в приміщенні)

Для операції налаштування виконайте процедуру, зазначену в розділі «Загальні операції».

<[Room sensor settings] (Налаштування датчика в приміщенні)>

Для налаштувань датчика температури в приміщенні важливо правильно вибрати датчик температури приміщення залежно від режиму опалення, в якому працюватиме система.



Екран налаштування розкладу Time/Zone (Час/Зона)

Підзаголовок меню	Опис																
Room RC zone select (Вибір зони для пульта ДК темп. приміщення)	Якщо активний 2-зонний контроль температури та доступні бездротові головні контролери, виберіть на екрані Room RC zone select (Вибір зони для пульта ДК темп. приміщення) номер зони, яку потрібно призначити кожному головному контролеру.																
Sensor setting (Налаштування датчика)	На екрані налаштування датчика виберіть датчик температури приміщення, який використовуватиметься для контролю температури приміщення окремо в Зоні 1 і Зоні 2.																
	Опція керування (Посібнику на вебсайті)	Відповідний датчик температури приміщення в початкових налаштуваннях															
		<table border="1"> <thead> <tr> <th></th> <th>Зона 1</th> <th>Зона 2</th> </tr> </thead> <tbody> <tr> <td>A</td> <td>Пульт ДК температурою приміщення 1–8 (по одному для Зони 1 і Зони 2)</td> <td>*1</td> </tr> <tr> <td>B</td> <td>ТН1</td> <td>*1</td> </tr> <tr> <td>C</td> <td>Головний контролер</td> <td>*1</td> </tr> <tr> <td>D</td> <td>*1</td> <td>*1</td> </tr> </tbody> </table>		Зона 1	Зона 2	A	Пульт ДК температурою приміщення 1–8 (по одному для Зони 1 і Зони 2)	*1	B	ТН1	*1	C	Головний контролер	*1	D	*1	*1
	Зона 1	Зона 2															
A	Пульт ДК температурою приміщення 1–8 (по одному для Зони 1 і Зони 2)	*1															
B	ТН1	*1															
C	Головний контролер	*1															
D	*1	*1															
	Якщо використовуються різні датчики температури в приміщенні згідно з часовим розкладом	Time/ Zone (Час/ Зона)*2 *1															
	<p>*1. Не вказано (якщо використовується кімнатний термостат, який придбано окремо) Пульт ДК температурою приміщення 1–8 (по одному для Зони 1 і Зони 2) (якщо бездротовий контролер використовується як кімнатний термостат)</p> <p>*2. На екрані налаштувань датчика виберіть Time/Zone (Час/ Зона), щоб мати змогу використовувати різні датчики температури в приміщенні згідно з часовим розкладом, заданим у меню Select Time/ Zone (Вибрати час/зону). Датчики температури в приміщенні можна перемикаати до 4 разів протягом 24 годин.</p>																

5 Налаштування системи

Меню [Service] (Обслуговування)

Меню обслуговування забезпечує доступ до функцій, які мають використовуватися фахівцем з установлення або фахівцем з технічного обслуговування. Воно НЕ призначене для змінення налаштувань користувачем пристрою. Саме з цієї причини необхідний захист паролем, щоб запобігти несанкціонованому доступу до налаштувань обслуговування.

Заводський пароль за замовчуванням – «0000».

Для операції налаштування виконайте процедуру, зазначену в розділі «Загальні операції».

Багато функцій не можна налаштувати в режимі роботи тільки внутрішнього блоку. Фахівець з установлення повинен вимкнути пристрій перед налаштуванням функцій. Якщо фахівець з установлення спробує змінити налаштування під час роботи пристрою, на головному контролері відобразиться нагадування про необхідність зупинити роботу перед продовженням. Якщо вибрати «Yes» (Так), пристрій зупинить роботу.

<[Manual operation] (Ручне керування)>

Під час заповнення системи можна діяти в обхід циркуляційного насоса первинного контура та 3-ходового клапана за допомогою режиму ручного керування.

Коли вибрано ручне керування, на екрані відображається маленька піктограма таймера. Якщо вибрано функцію ручного керування, вона залишатиметься активною протягом щонайбільше 2 годин. Це потрібно для запобігання постійній роботі в обхід FTC.

► Приклад

Якщо натиснути кнопку F3, ввімкнеться режим ручного керування для головного 3-ходового клапана. Після завершення заповнення бака ГВП фахівець з установлення повинен ще раз відкрити це меню та натиснути кнопку F3 для деактивації ручного керування компонентом. Інший варіант – через 2 години режим ручного керування стане неактивним, і FTC зможе поновити керування гідромодулем.

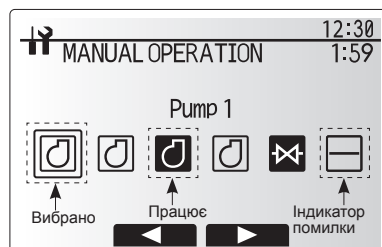
Функцію ручного керування та налаштування джерела тепла не можна вибрати під час роботи системи. Перш ніж ці режими можна буде активувати, з'явиться екран з повідомленням для фахівця з установлення про необхідність зупинити систему. Система автоматично зупиняється через 2 години після останньої операції.

<[Floor dry up function] (Функція сушіння підлоги)>

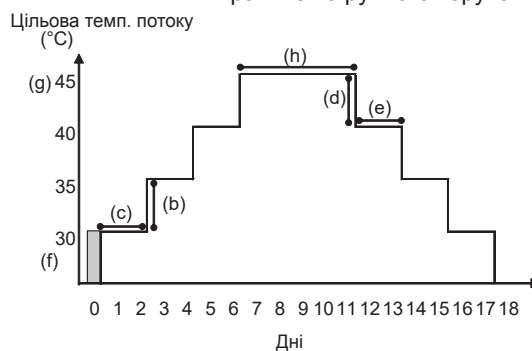
Функція сушіння підлоги автоматично поетапно змінює цільову температуру гарячої води, щоб поступово висушувати бетон, коли встановлено цей конкретний тип системи підлогового опалення.

Після завершення цієї операції система зупиняє всі операції, крім функції Freeze stat. (Захист від замерзання).

Для функції сушіння підлоги цільова температура потоку для Зони 1 є такою самою, що й для Зони 2.



Екран меню ручного керування



- Ця функція недоступна, якщо підключено зовнішній блок PUHZ-FRP.
- Від'єднайте дроти від зовнішніх входів кімнатного термостата, примусового керування та зовнішнього термостата, інакше цільова температура потоку може не підтримуватися.

Функції	Символ	Опис	Опція/діапазон	Одиниці	За замовчуванням
Floor dry up function (Функція сушіння підлоги)	a	Установіть для функції значення ON (УВІМК.) і ввімкніть живлення системи за допомогою головного контролера; почнеється нагрівання в режимі висушування.	On/Off (Увімк./Вимк.)	—	Off (Вимк.)
Flow temp. (increase) (Темп. (збільшити))	b	Установлення кроку збільшення цільової температури потоку.	від +1 до +10	°C	+5
	c	Установлення періоду, протягом якого підтримуватиметься одна й та сама цільова температура потоку.	1–7	день	2
Flow temp. (decrease) (Темп. (зменшити))	d	Установлення кроку зменшення цільової температури потоку.	від -1 до -10	°C	-5
	e	Установлення періоду, протягом якого підтримуватиметься одна й та сама цільова температура потоку.	1–7	день	2
Target temperature (Цільова температура)	f	Установлення цільової температури потоку на початку та в кінці виконання операції.	20–60	°C	30
	g	Установлення максимальної цільової температури потоку.	20–60	°C	45
	h	Установлення періоду, протягом якого підтримуватиметься максимальна цільова температура потоку.	1–20	день	5

<[Password protection] (Захист паролем)>

Функція захисту паролем запобігає несанкціонованому доступу до меню обслуговування особами без належної кваліфікації.

Скидання пароля

Якщо ви забули введений пароль або обслуговуєте пристрій, установлений іншою особою, ви можете скинути пароль до заводського значення за замовчуванням 0000.

1. У меню основних налаштувань прокрутіть вниз функції, доки не буде виділено Service Menu (Меню обслуговування).
2. Натисніть CONFIRM (ПІДТВЕРДИТИ).
3. З'явиться вікно для введення пароля.
4. Натисніть і утримуйте кнопки F3 та F4 одночасно протягом 3 секунд.
5. З'явиться вікно із запитанням, чи дійсно ви бажаєте продовжити та скинути пароль до налаштування за замовчуванням.
6. Щоб скинути, натисніть кнопку F3.
7. Пароль буде скинуто до значення 0000.

<[Manual reset] (Ручне скидання)>

Якщо потрібно в будь-який час відновити заводські налаштування, слід використовувати функцію ручного скидання. Зверніть увагу, що це призведе до скидання ВСІХ функцій до заводських налаштувань.



Екран введення пароля



Екран підтвердження пароля

6 Технічне обслуговування

Обслуговування внутрішнього гідромодуля повинен здійснювати кваліфікований фахівець **один раз на рік**. Технічне обслуговування та ремонт зовнішнього блока має виконуватися технічним фахівцем компанії Mitsubishi Electric з відповідною кваліфікацією та досвідом. Будь-які

електротехнічні роботи має виконувати фахівець із належною кваліфікацією. Будь-яке технічне обслуговування або самостійний ремонт неповноваженою особою може призвести до анулювання гарантією та/або пошкодження гідромодуля й травмування людей.

Коди помилок

Код	Помилка	Дія
L3	Захист під перегріву води, що циркулює	Можливе зменшення швидкості потоку. Перевірте наявність таких причин: <ul style="list-style-type: none"> • витік води; • блокування фільтра грубого очищення; • працює циркуляційний водяний насос (код помилки може відобразитися під час заповнення первинного контура; завершіть заповнення та скиньте код помилки).
L4	Захист під перегріву води в баку ГВП	Перевірте занурний електронагрівач і його контактор.
L5	Помилка термістора температури внутрішнього блока (THW1, THW2, THW5B, THW6, THW7, THW8, THW9)	Перевірте опір термістора.
L6	Захист від замерзання води, що циркулює	Див. дію для L3.
L8	Помилка роботи системи опалення	Перевірте та повторно під'єднайте будь-які термістори, які могли зміститися.
L9	Датчик потоку або перемикач потоку (перемикачі потоку 1, 2, 3) виявив низьку швидкість потоку в первинному контурі	Див. дію для L3. Якщо датчик потоку або перемикач потоку не працює, замініть його. Обережно. Клапани насоса можуть бути гарячими, тому будьте обережні.
LA	Несправність датчика тиску	Перевірте кабель датчика тиску на наявність пошкоджень або втрату з'єднання.
LB	Захист від високого тиску	<ul style="list-style-type: none"> • Можливе зменшення швидкості потоку в контурі опалення. Перевірте водяний контур. • Пластинчастий теплообмінник може бути засміченим. Перевірте пластинчастий теплообмінник. • Несправність зовнішнього блока. Див. посібник з обслуговування зовнішнього блока.
LC	Захист під перегріву води, що циркулює в бойлері	Перевірте, чи не перевищує встановлена температура нагрівання бойлера граничне значення. (Див. посібник з використання термісторів «PAC-TH012HT-E») Можливе зменшення швидкості потоку в контурі опалення з бойлера. Перевірте наявність таких причин: <ul style="list-style-type: none"> • витік води; • блокування фільтра грубого очищення; • працює циркуляційний водяний насос.
LD	Несправність термістора температури бойлера (THWB1)	Перевірте опір термістора.
LE	Помилка роботи бойлера	Див. дію для L8. Перевірте стан бойлера.
LF	Несправність датчика потоку	Перевірте кабель датчика потоку на наявність пошкоджень або втрату з'єднання.
LH	Захист від замерзання води, що циркулює в бойлері	Можливе зменшення швидкості потоку в контурі опалення з бойлера. Перевірте наявність таких причин: <ul style="list-style-type: none"> • витік води; • блокування фільтра грубого очищення; • працює циркуляційний водяний насос.
LJ	Помилка роботи ГВП (тип зовнішнього пластинчатого теплообмінника)	Перевірте, чи не від'єднався нижній термістор температури води в баку ГВП (THW5B). Можливе зменшення швидкості потоку в контурі води для побутових потреб. Перевірте, чи працює циркуляційний водяний насос (первинний / вода для побутових потреб).
LL	Помилки налаштування DIP-перемикачів на платі керування FTC	Якщо працює бойлер, перевірте, чи встановлено в положення UBIMK. DIP-перемикач SW1-1 (з бойлером) і DIP-перемикач SW2-6 (зі змішувальним баком). Для 2-зонного контролю температури перевірте чи встановлено в положення UBIMK. DIP-перемикач SW2-7 (2-зонне) і DIP-перемикач SW2-6 (зі змішувальним баком).
LP	За межами діапазону швидкості потоку для зовнішнього блока теплового насоса	Див. таблицю з установлення 4.3.1 Перевірте налаштування контролера (меню обслуговування / діапазон швидкості потоку теплового насоса) Див. дію для L3.
P1	Термістор (темп. в приміщенні) Помилка (TH1)	Перевірте опір термістора.
P2	Термістор (темп. рідкого холодоагенту) Помилка (TH2)	Перевірте опір термістора.
P6	Захист від замерзання пластинчастого теплообмінника	Див. дію для L3. Перевірте наявність правильного об'єму холодоагенту.
J0	Помилка зв'язку між FTC та бездротовим приймачем	Перевірте з'єднувальний кабель на наявність пошкоджень або втрату з'єднання.
J1–J8	Помилка зв'язку між бездротовим приймачем і бездротовим контролером	Переконайтесь, що акумулятор бездротового контролера не розряджено. Перевірте об'єднання в пару бездротового приймача та бездротового контролера. Перевірте бездротовий зв'язок. (Див. посібник до бездротової системи)
E0–E5	Помилка зв'язку між головним контролером і FTC	Перевірте з'єднувальний кабель на наявність пошкоджень або втрату з'єднання.
E6–EF	Помилка зв'язку між FTC та зовнішнім блоком	Переконайтесь, що зовнішній блок не вимкнено. Перевірте з'єднувальний кабель на наявність пошкоджень або втрату з'єднання. Див. посібник з обслуговування зовнішнього блока.
E9	Зовнішній блок не приймає сигнал від внутрішнього блока.	Перевірте, чи ввімкнено обидва блоки. Перевірте з'єднувальний кабель на наявність пошкоджень або втрату з'єднання. Див. посібник з обслуговування зовнішнього блока.
EE	Помилка комбінації FTC і зовнішнього блока	Перевірте комбінацію FTC і зовнішнього блока.
U*, F*	Несправність зовнішнього блока	Див. посібник з обслуговування зовнішнього блока.
A*	Помилка зв'язку M-NET	Див. посібник з обслуговування зовнішнього блока.

Примітка: Щоб скасувати коди помилок, вимкніть систему (натисніть кнопку F4 (СКИДАННЯ) на головному контролері).

6 Технічне обслуговування

Щорічне технічне обслуговування

Важливо, щоб принаймні раз на рік кваліфікований фахівець виконував обслуговування гідромодуля. Усі потрібні компоненти НЕОБХІДНО купувати в компанії Mitsubishi Electric (з міркувань безпеки). **ЗАБОРОНЕНО** виконувати експлуатацію пристрою в обхід запобіжних пристроїв, а також якщо вони не є повністю працездатними.

Примітка

- Протягом перших двох місяців після встановлення зніміть і очистьте фільтр грубого очищення гідромодуля, а також усі додаткові фільтри, установлені із зовнішньої сторони гідромодуля. Це особливо важливо, якщо пристрій встановлено на старій/наявній трубопроводній системі.
- Клапан PRV (№ 11 на рис. 3.3 та 3.4) необхідно перевіряти щороку. Для цього поверніть ручку вручну, щоб випустити середовище, і таким чином очистивши місце ущільнення.

Крім щорічного обслуговування, важливо замінювати або оглядати деякі компоненти після певного періоду роботи системи. Докладні інструкції див. у таблицях нижче. Заміну й огляд компонентів завжди має здійснювати компетентна особа, яка пройшла відповідне навчання та має належну кваліфікацію.

Компоненти, які потребують регулярної заміни

Компоненти	Частота заміни	Можливі проблеми
Клапан регулювання тиску (3 бар) Канал для випуску повітря (автоматичний/ручний) Манометр	6 років	Витік води

Компоненти, які потребують регулярного огляду

Компоненти	Частота перевірки	Можливі проблеми
Клапан регулювання тиску (3 бар) Клапан регулювання температури та тиску	1 рік (шляхом повернення ручки вручну)	PRV може заклинити, що може призвести до розривання розширювального бака
Занурний електронагрівач	2 роки	Витік на землю може призвести до спрацювання автоматичного вимикача (електронагрівач завжди вимкнено).
Циркуляційний водяний насос (первинний контур)	20 000 годин (3 роки)	Несправність циркуляційного водяного насоса

Компоненти, які НЕ можна використовувати повторно після обслуговування

- * Ущільнювальне кільце
- * Ущільнювальна прокладка

Примітка:

- Завжди замінюйте ущільнювальну прокладку для насоса на нову під час кожного регулярного технічного обслуговування (кожні 20 000 годин використання або кожні 3 роки).
- Не потрібно перевіряти клапан регулювання тиску (5 бар), тому що він не контактує з водою, крім випадків, коли несправний клапан регулювання тиску на 3 бар.

Форми для фахівців з технічного обслуговування

У разі змінення налаштувань зі стандартних введіть і запишіть нове налаштування в стовпці «Робоче». Це полегшить повторне налаштування в майбутньому у разі внесення змін у систему або заміни плати керування.

Таблиця запису введення в експлуатацію / робочих налаштувань

Екран головного контролера		Параметри	За замовчуванням	Робоче	Примітки		
Головний	Темп. приміщення в режимі опалення – Зона 1 Темп. приміщення в режимі опалення – Зона 2 *14 Темп. потоку в режимі опалення – Зона 1 Темп. потоку в режимі опалення – Зона 2 *1 Темп. потоку в режимі охолодження – Зона 1 *12 Темп. потоку в режимі охолодження – Зона 2 *12 Погодозалежне керування опаленням – Зона 1 Погодозалежне керування опаленням – Зона 2 *1 Режим відпустки	10°C - 30°C	20°C				
		10°C - 30°C	20°C				
		20°C - 60°C	45°C				
		20°C - 60°C	35°C				
		5°C - 25°C	15°C				
		5°C - 25°C	20°C				
		-9°C - +9°C	0°C				
		-9°C - +9°C	0°C				
Опція	Робота в режимі примусового ГВП ГВП Опалення/Охолодження Контроль енергії	Активно/Неактивно/Установити час	—				
		Увімк./Вимк.	—				
		Увімк./Вимк./Таймер	Увімк.				
		Увімк./Вимк./Таймер	Увімк.				
Налаштування	ГВП *13	Режим роботи	Звичайний/Економія *16	Звичайний			
		Макс. темп. ГВП	40°C - 60°C *2	50°C			
		Падіння темп. ГВП	5°C - 30°C	10°C			
		Макс. час роботи ГВП	30 - 120 хв	60 хв			
		Обмеження режиму ГВП	30 - 120 хв	30 хв			
		Повторне заповнення ГВП	Великий/Стандартний	Великий *19			
		Знезаражування від леґіонели *13	Активно	Так/Ні	Так		
			Темп. гарячої води	60°C - 70°C *2	65°C		
	Частота		1 - 30 днів	15 днів			
	Час початку		00.00 - 23.00	03.00			
	Макс. час роботи		1 - 5 год	3 год			
	Тривалість максимальної температури		1 - 120 хв	30 хв			
	Опалення/охолодження *12		Режим роботи Зони 1	Темп. приміщення в режимі опалення/ Темп. потоку в режимі опалення/ Погодозалежне керування опаленням/ Темп. потоку в режимі охолодження	Темп. приміщення		
			Режим роботи Зони 2 *1	Темп. приміщення в режимі опалення/ Темп. потоку в режимі опалення/ Погодозалежне керування опаленням/ Темп. потоку в режимі охолодження	Погодозалежне керування опаленням		
		Погодозалежне керування опаленням	Верхня встановлена точка темп. потоку	Температура зовнішнього повітря – Зона 1	-30°C - +33°C *3	-15°C	
				Темп. потоку Зони 1	20°C - 60°C	50°C	
Нижня встановлена точка темп. потоку	Температура зовнішнього повітря – Зона 2 *1		-30°C - +33°C *3	-15°C			
	Темп. потоку Зони 2 *1		20°C - 60°C	40°C			
Регулювати	Температура зовнішнього повітря – Зона 1	Температура зовнішнього повітря – Зона 1	-28°C - +35°C *4	35°C			
		Темп. потоку Зони 1	20°C - 60°C	25°C			
	Температура зовнішнього повітря – Зона 2 *1	Температура зовнішнього повітря – Зона 2 *1	-28°C - +35°C *4	35°C			
		Темп. потоку Зони 2 *1	20°C - 60°C	25°C			
Режим відпустки	ГВП *13 Опалення/охолодження *12 Темп. приміщення в режимі опалення – Зона 1 Темп. приміщення в режимі опалення – Зона 2 *14 Темп. потоку в режимі опалення – Зона 1 Темп. потоку в режимі опалення – Зона 2 *1 Темп. потоку в режимі охолодження – Зона 1 *12 Темп. потоку в режимі охолодження – Зона 2 *12	Активно/Неактивно	Неактивно				
		Активно/Неактивно	Активно				
		10°C - 30°C	15°C				
		10°C - 30°C	15°C				
		20°C - 60°C	35°C				
		20°C - 60°C	25°C				
		5°C - 25°C	25°C				
		5°C - 25°C	25°C				
		20°C - 60°C	—				
		20°C - 60°C	—				
		-29°C - +34°C *5	—				
		20°C - 60°C	—				

(Продовження на наступній сторінці).

■ Форми для фахівців з технічного обслуговування

Таблиця запису введення в експлуатацію / робочих налаштувань

Екран головного контролера		Параметри		За замовчуванням	Робоче	Примітки
Налаштування	Початкові налаштування	Мова	EN/FR/DE/SV/ES/IT/DA/NL/FI/NO/PT/BG/PL/CZ/RU/TR/SL	EN		
		°C/°F	°C/°F	°C		
		Літній час	Увімк./Вимк.	Вимк.		
		Відображення температури	Приміщення/Бак ГВП/Приміщення та бак ГВП/Вимк.	Вимк.		
		Відображення часу	гг:хх/гг:хх АМ/АМ гг:хх	гг:хх		
		Налаштування датчика в приміщенні для Зони 1	ТН1/Головний контролер/Пульт ДК температурою приміщення 1-8)/«Час/зона»	ТН1		
		Налаштування датчика в приміщенні для Зони 2 *1	ТН1/Головний контролер/Пульт ДК температурою приміщення 1-8)/«Час/зона»	ТН1		
		Вибір зони для пульта ДК темп. приміщення *1	Зона 1/Зона 2	Зона 1		
	Обслуговування	Регулювання термістора	ТНW1	-10°C - +10°C	0°C	
ТНW2			-10°C - +10°C	0°C		
ТНW5B			-10°C - +10°C	0°C		
ТНW6			-10°C - +10°C	0°C		
ТНW7			-10°C - +10°C	0°C		
ТНW8			-10°C - +10°C	0°C		
ТНW9			-10°C - +10°C	0°C		
ТНW10			-10°C - +10°C	0°C		
ТНWB1			-10°C - +10°C	0°C		
		Допоміжні налаштування	Налаштування економного режиму для насоса	Увімк./Вимк. *6	Увімк.	
Затримка (3 - 60 хв)				10 хв		
Електронагрівач (опалення)				Опалення: Увімк. - використовується /Вимк. - не використовується	Увімк.	
Таймер затримки електронагрівача (5 - 180 хв)				30 хв		
Електричний нагрівач (ГВП) *13			Проточний електронагрівач	ГВП: Увімк. - використовується /Вимк. - не використовується	Увімк.	
			Занурний електронагрівач	ГВП: Увімк. - використовується /Вимк. - не використовується	Увімк.	
Керування змішувальним клапаном			Робота (10 - 240 с)	120 с		
			Інтервал (1 - 30 хв)	2 хв		
Датчик потоку *18	Мінімум (0 - 100 л/хв)	5 л/хв				
	Максимум (0 - 100 л/хв)	100 л/хв				
Аналоговий вихід	Інтервал (1 - 30 хв)	5 хв				
	Пріоритет (Нормальний/Високий)	Звичайний				
Продуктивність насоса	ГВП	Продуктивність насоса (1 - 5)	5			
	Опалення/Охолодження	Продуктивність насоса (1 - 5)	5			
Налаштування джерела тепла		Стандартний/Нагрівач/Бойлер/Гібридне *7	Стандартний			
Налаштування теплового насоса	Діапазон швидкості потоку теплового насоса	Мінімум (0 - 100 л/хв)	5 л/хв			
		Максимум (0 - 100 л/хв)	100 л/хв			
	Тихий режим	День (Пн - Пт)	—			
		Час	0:00-23:45			
		Рівень тиші (Звичайний/ Рівень 1/ Рівень 2)	Звичайний			
Налаштування роботи	Робота в режимі опалення *8	Діапазон темп. потоку *10	Мін. темп. (20 - 45°C)	30°C		
			Макс. темп. (35 - 60°C)	50°C		
		Керування темп. у приміщенні *15	Режим (Звичайний)/(Швидкий)	Звичайний		
			Інтервал (10 - 60 хв)	10 хв		
		Регулювання диф. термост. тепл. насоса	Увімк./Вимк. *6	Увімк.		
			Нижня межа (-9 - -1°C)	-5°C		
			Верхня межа (+3 - +5°C)	5°C		
	Захист від замерзання *11	Температура зовнішнього повітря (3 - 20°C) / **	5°C			
	Одночасна робота (ГВП/Опалення)	Увімк./Вимк. *6	Вимк.			
		Температура зовнішнього повітря (-30 - +10°C) *3	-15°C			
	Функція для холодної погоди	Увімк./Вимк. *6	Вимк.			
		Температура зовнішнього повітря (-30 - -10°C) *3	-15°C			
	Робота бойлера	Гібридні налаштування	Температура зовнішнього повітря (-30 - +10°C) *3	-15°C		
			Режим пріоритету (Температура навколишнього середовища/ Витрати/CO ₂) *17	Температура навколишнього середовища		
			Підвищення темп. зовнішнього повітря (+1 - +5°C)	+3°C		
		Інтелектуальні налаштування	Вартість електроенергії *9	Електрика (0,001 - 999 *кВт*год)	0,5 *кВт*год	
				Бойлер (0,001 - 999 *кВт*год)	0,5 *кВт*год	
			Викиди CO ₂	Електрика (0,001 - 999 кг - CO ₂ /кВт*год)	0,5 кг - CO ₂ /кВт*год	
Джерело тепла		Бойлер (0,001 - 999 кг - CO ₂ /кВт*год)	Електрика (0,001 - 999 кг - CO ₂ /кВт*год)	0,5 кг - CO ₂ /кВт*год		
			Бойлер (0,001 - 999 кг - CO ₂ /кВт*год)	0,5 кг - CO ₂ /кВт*год		
		Потужність теплового насоса (1 - 40 кВт)	Потужність теплового насоса (1 - 40 кВт)	11,2 кВт		
			Ефективність бойлера (25 - 150%)	80%		
Потужність проточного електронагрівача 1 (0 - 30 кВт)	Потужність проточного електронагрівача 1 (0 - 30 кВт)	2 кВт				
	Потужність проточного електронагрівача 2 (0 - 30 кВт)	4 кВт				

■ Форми для фахівців з технічного обслуговування

Таблиця запису введення в експлуатацію / робочих налаштувань (початок на попередній сторінці)

Екран головного контролера				Параметри	За замовчуванням	Робоче	При- мітки	
Обслуговування	Налаштування роботи	Інтелектуальна мережа	ГВП	Увімк./Вимк.	Вимк.			
				Цільова темп. (+1 - +20°C) / -- (Неактивно)	--			
			Опалення	Увімк./Вимк.	Вимк.			
				Цільова темп.	Рекомендована температура ввімкнення (20 - 60°C)	50°C		
					Команда ввімкнення (20 - 60°C)	55°C		
			Охолодження	Увімк./Вимк.	Вимк.			
				Цільова темп.	Рекомендована температура ввімкнення (5 - 25°C)	15°C		
					Команда ввімкнення (5 - 25°C)	10°C		
			Цикли роботи насоса	Опалення (Увімк./Вимк.)	Увімк.			
				Охолодження (Увімк./Вимк.)	Увімк.			
				Інтервал (10 - 120 хв)	10 хв			
			Функція сушіння підлоги	Увімк./Вимк. *6		Вимк.		
				Цільова темп.	Початок і кінець (20 - 60°C)	30°C		
					Макс. темп. (20 - 60°C)	45°C		
	Період макс. темп. (1 - 20 днів)	5 днів						
	Темп. потоку (збільшити)	Крок підвищення темп. (+1 - +10°C)		+5°C				
		Інтервал збільшення (1 - 7 днів)		2 дні				
	Темп. потоку (зменшити)	Крок зниження темп. (-1 - -10°C)		-5°C				
		Інтервал зменшення (1 - 7 днів)		2 дні				
	Літній режим	Увімк./Вимк.		Вимк.				
		Температура зовнішнього повітря		Опалення ввімкнено (4 - 19°C)	10°C			
			Опалення вимкнено (5 - 20°C)	15°C				
		Час визначення	Опалення ввімкнено (1 - 48 год)	6 год				
			Опалення вимкнено (1 - 48 год)	6 год				
Примусове опалення ввімкнено (-30 - 10°C)	5°C							
Керування потоком води	Увімк./Вимк.		Вимк.					
Налаштування контролю енергії	Потужність електронагрівача	Потужність проточного електронагрівача 1	0 - 30 кВт	2 кВт				
		Потужність проточного електронагрівача 2	0 - 30 кВт	4 кВт				
		Потужність занурного електронагрівача	0 - 30 кВт	0 кВт				
		Аналоговий вихід	0 - 30 кВт	0 кВт				
	Регулювання виробленої енергії	-50 - +50%		0%				
	Вхід водяного насоса	Насос 1	0 - 200 Вт або *** (установлений на заводі насос)		***			
		Насос 2	0 - 200 Вт		0 Вт			
		Насос 3	0 - 200 Вт		0 Вт			
		Насос 4 *19	0 - 200 Вт		72 Вт			
	Лічильник електроенергії	0,1/1/10/100/1000 імп./кВт*год		1 імп./кВт*год				
Лічильник тепла	0,1/1/10/100/1000 імп./кВт*год		1 імп./кВт*год					
Налаштування зовнішнього входу	Примусове керування (IN4)	Джерело тепла ВИМК. / робота бойлера		Робота бойлера				
	Зовнішній термостат (IN5)	Робота нагрівача / робота бойлера		Робота бойлера				
Вихід термост. УВИМК.		Зона 1/Зона 2/Зона 1 і 2		Зона 1 і 2				

*1 Налаштування, пов'язані із Зоною 2, можна перемикаєти, тільки коли ввімкнено 2-зонне керування температурою (коли DIP-перемикачі SW2-6 і SW 2-7 встановлено в положення УВИМК.).

*2 У моделях без проточного та занурного електронагрівачів установленої температури може не вдатися досягти (залежно від температури зовнішнього повітря).

*3 Нижня межа температури становить -15°C залежно від підключеного зовнішнього блока.

*4 Нижня межа температури становить -13°C залежно від підключеного зовнішнього блока.

*5 Нижня межа температури становить -14°C залежно від підключеного зовнішнього блока.

*6 Op (Увімк.): функція активна; Off (Вимк.): функція неактивна.

*7 Коли DIP-перемикач SW1-1 встановлено в положення ВИМК. (БЕЗ бойлера) або SW2-6 встановлено в положення ВИМК. (БЕЗ змішувального бака), неможливо вибрати ні налаштування Boiler (Бойлер), ні Hybrid (Гібридне).

*8 Є дійсним тільки під час роботи в режимі керування температурою в приміщенні.

9 Символ «» у «*/кВт*год» позначає одиницю валюти (наприклад, €, £ тощо).

*10 Є дійсним тільки в режимі керування температурою в режимі опалення.

*11 Якщо вибрано зірочку (**), функцію захисту від замерзання деактивовано (тобто існує ризик замерзання води в первинному контурі).

12 Налаштування режиму охолодження доступні тільки для моделі ERS.

*13 Доступно тільки за наявності бака ГВП в системі.

*14 Налаштування, пов'язані із Зоною 2, можна перемикаєти, тільки якщо ввімкнено 2-зонне керування температурою або 2-зонне керування ввімкненням/вимкненням клапана.

*15 Коли DIP-перемикач SW5-2 встановлено в положення ВИМК., ця функція активна.

*16 Коли гідромодуль підключено до зовнішнього блока PUMY-P, встановлюється режим «Normal» (Звичайний).

*17 Коли гідромодуль підключено до зовнішнього блока PUMY-P, встановлюється режим «Ambient» (Температура навколишнього середовища).

*18 Не змінюйте налаштування, тому що воно встановлюється згідно з технічними характеристиками датчика потоку, під'єданого до гідромодуля.

*19 Це налаштування дійсне тільки для гідромодулів з накопичувальним баком ГВП.

1. Указания за безопасност	2
2. Въведение	3
3. Техническа информация	4
4. Монтаж.....	11
4.1 Място за монтаж	11
4.2 Качество на водата и подготовка на системата	13
4.3 Водопроводи.....	14
4.4 Електрическо свързване.....	16
5. Настройка на системата	18
5.1 Функции на DIP превключвателите.....	18
5.2 Свързване на входовете/изходите.....	19
5.3 Окабеляване за температурно регулиране на отоплителни кръга	20
5.4 Самостоятелен режим на работа на вътрешното тяло (по време на монтажа).....	21
5.5 Използване на SD карта памет.....	21
5.6 Главно управление	22
6. Техническо обслужване и поддържане в изправност.....	29



<http://www.mitsubishielectric.com/ldg/ibim/>

Ако желаете повече информация, която не е записана в това ръководство, отидете на уеб сайта по-горе, за да изтеглите ръководства, като изберете име на модела и след това изберете език.

Съдържание на ръководството в уеб сайта

- Енергиен мониторинг
- Стаен термостат
- Пълнене на системата
- Опростена система с два отоплителни кръга
- Независим източник на електроенергия
- Готовност за интелигентна мрежа
- Бойлер за БГВ за Hydrobox
- Опции на главното управление
- Сервизно меню (специална настройка)
- Допълнителна информация

Принадлежности (включени в окомплектовката на доставката)			
Монтажна планка	Винт М5×8	SD карта памет	Съединителна тръба *
			
1	2	1	1

* Само за сериите E*SE

Съкращения и глосар

№	Съкращения/Термин	Описание
1	Режим по компенсаторна крива	Управление на отоплението според външна температура
2	COP	Коефициент на преобразуване, коефициент на ефективност на термопомпата
3	Охладителен режим	Охлаждане на помещенията чрез вентилаторни конвектори или подово охлаждане
4	Режим БГВ	Режим за производство на битова гореща вода за къпане, миене на съдове, готвене и т.н.
5	Температура на подаващата линия	Температура на подаващата линия на отоплителната система
6	Функция Защита от замръзване	Защитна функция на управлението на отоплението, предотвратяваща замръзване на водопроводите
7	FTC	Контролер на термопомпата/отоплението, отговарящ за управлението на отоплителната система
8	Отоплителен режим	Отопление на помещенията чрез радиатори или подово отопление
9	Hydrobox	Вътрешен уред с компоненти за тръбна арматура (БЕЗ бойлер за БГВ)
10	Легионели	Бактерии, които евентуално са налице в тръбопроводите на сградната инсталация, душовете и бойлерите и могат да причинят Легионерска болест
11	Режим ЗЛ	Режим на защита от легионела – функция за предотвратяване/намаляване растежа на бактерията легионела в бойлерите за БГВ
12	Моноблок	Пластинчат топлообменник (хладилен агент-вода) във външното тяло на термопомпата
13	ПКПН	Предпазен клапан за повишено налягане
14	Температура на връщащата линия	Температура на връщащата линия на отоплителната система
15	Сплит	Пластинчат топлообменник (хладилен агент-вода) във вътрешното тяло на термопомпата
16	ТГР	Термо глава за радиатор

1 Указания за безопасност

Моля прочетете внимателно следващите указания за безопасност.

ПРЕДУПРЕЖДЕНИЕ:

Указания, които трябва да се спазват, за да се избегнат наранявания или смърт.





ПОВИШЕНО ВНИМАНИЕ:

Указания, които трябва да се спазват, за да се избегнат повреди на уреда.

След монтажа – за по-късна справка – това ръководство за монтаж трябва да се съхранява до продукта заедно с ръководството за потребителя. Mitsubishi Electric не носи отговорност за отказ на осигурени на място части.

- Осигурете редовно техническо обслужване.
- Спазвайте действащите разпоредби.
- Следвайте инструкциите в това ръководство.

ЗНАЧЕНИЕ НА СИМВОЛИТЕ ВЪРХУ ТЯЛОТО

	ПРЕДУПРЕЖДЕНИЕ (Опасност от пожар)	Този символ се отнася само за хладилен агент R32. Типът хладилен агент е изписан на табелката на външното тяло. Ако хладилният агент е R32, това тяло използва запалим хладилен агент. Ако има изтичане на хладилен агент и той влезе в контакт с огън или нагревателна част, това ще създаде вреден газ и има опасност от пожар.
		Преди работа прочетете внимателно РЪКОВОДСТВОТО ЗА ЕКСПЛОАТАЦИЯ.
		Обслужващият персонал е задължен да прочете внимателно РЪКОВОДСТВОТО ЗА ЕКСПЛОАТАЦИЯ и РЪКОВОДСТВОТО ЗА МОНТАЖ преди работа.
		Допълнителна информация е достъпна в РЪКОВОДСТВОТО ЗА ЕКСПЛОАТАЦИЯ, РЪКОВОДСТВОТО ЗА МОНТАЖ и други подобни.

ПРЕДУПРЕЖДЕНИЕ

Механична система

- Hydrobox и външното тяло не трябва да се монтират, разглобяват, преместват, променят или ремонтират от потребителя. За тези дейности се обърнете към оторизиран инсталатор или техник. Непрофесионален монтаж или изменение след монтажа може да причини изтичане на вода, токов удар или пожар.
- Външното тяло трябва да се закрепва сигурно към стабилна, равна повърхност, която може да издържи теглото му.
- Hydrobox трябва да се монтира на стабилна, равна повърхност, която може да издържи теглото му в пълно състояние и да предотврати твърде силни шумове или вибрации.
- Не поставяйте мебели или електрически уреди под външното тяло или Hydrobox.
- Отточните тръби на предпазните приспособления (предпазните клапани) на Hydrobox трябва да се монтират съгласно местните наредби.
- Използвайте само одобрени от Mitsubishi Electric принадлежности и резервни части.

Електрическа система

- Всички електрически работи трябва да се извършват от квалифициран инсталатор съгласно местните разпоредби и инструкциите в това ръководство.
- Уредите трябва да разполагат с отделно захранване с напрежение и трябва да се използват правилно напрежение и подходящи ел. предпазители.
- Окабеляването трябва да отговаря на националните наредби за окабеляване. Свързването трябва да се извърши надеждно и без механично напрежение в клемите.
- Уредът трябва да се заземи правилно.

Обща информация

- Дръжте деца и домашни животни на разстояние както от Hydrobox, така и от външното тяло.
- Не използвайте произведената от термopомпата вода за отопление директно за пиене и готвене. Това може да причини заболяване на потребителя.
- Не стъпвайте върху уредите.
- Не докосвайте превключвателите с мокри ръце.
- Годишните технически проверки както на Hydrobox, така и на външното тяло трябва да се извършват от квалифицирано лице.
- Не поставяйте съдове с течности върху Hydrobox. Ако изтече или се разлее течност върху Hydrobox, е възможно повреждане на модула и/или възникване на пожар.
- Не поставяйте тежки предмети върху Hydrobox.
- Когато монтирате, премествате или извършвате техническо обслужване на Hydrobox, за пълнене на тръбопроводите на хладилния агент използвайте само указания хладилен агент на термopомпата. Не го смесвайте с друг хладилен агент и внимавайте да не остане въздух в тръбопроводите. При смесване на въздух с хладилния агент може да се получи високо налягане в тръбопровода на хладилния агент и това може да причини експлозия и други опасности. Използването на друг, различен от указания за системата хладилен агент води до механичен отказ, смущения в работата на системата или отказ от функциониране на уреда. В най-лошия случай това може да наруши сериозно безопасността на продукта.
- За предотвратяване на повреждане на топлообменните повърхности (напр. подово отопление) от гореща вода в отоплителен режим настройте зададената температура на подаващата линия на минимум 2 °C под максимално допустимата температура на всички топлообменни повърхности. За Отоплителен кръг 2 настройте зададената температура на подаващата линия на минимум 5 °C под максимално допустимата температура на всички топлообменни повърхности в Отоплителен кръг 2.
- Не монтирайте уреда на места, където може да възникне изтичане, образуване, преминаване или натрупване на запалими газове. Натрупването на запалими газове около уреда може да доведе до пожар или експлозия.
- Не използвайте средства за ускоряване на процеса на размразяване или за почистване, различни от препоръчаните от производителя.
- Уредът трябва да се съхранява в помещение без постоянно работещи източници на запалване (например: открит огън, работещ газов уред или работещ електрически нагревател).
- Не пробивайте или горете.
- Имайте предвид, че хладилните агенти може да нямат мирис.
- Тръбопроводите трябва да са предпазени от физическа повреда.
- Монтирането на тръбопроводите трябва да се сведе до минимум.
- Трябва да се спазва съответствието с националните наредби за газ.
- Поддържайте всички необходими вентилационни отвори чисти от задръствания.
- Не използвайте нискотемпературна сплав в случай на спояване на тръбите на хладилния агент.

bg

1 Указания за безопасност

⚠ ПОВИШЕНО ВНИМАНИЕ

За първичния кръг използвайте обработена вода, която отговаря на местните стандарти за качество.

Външното тяло трябва да се монтира в зона с достатъчен въздушен поток съгласно графиките в ръководството за монтаж на външното тяло.

Hydrobox трябва да се разположи във вътрешно помещение, за да се минимизират топлинните загуби.

Тръбопроводите на първичния кръг между външното и вътрешното тяло трябва да са възможно най-къси, за да се намалят топлинните загуби.

Осигурете отвеждане на отделения от външното тяло кондензат от цокъла с цел предотвратяване образуването на локви вода.

Обезвъздушете първичния кръг и кръга на БГВ.

Изтичане на хладилен агент може да причини задушаване. Осигурете вентилация съгласно EN 378-1.

Изолирайте всички тръбопроводи съгласно действащите наредби. Директен контакт с тръбопроводи без покритие може да причини изгаряне или замръзване.

Батерии и дребни части не трябва да се поставят в устата, съществува опасност от поглъщане.

Поглъщането на батерия може да причини задушаване и/или отравяне.

В случай че Hydrobox няма да се използва по-продължително време (или системата е изключена), се препоръчва изпразване на системата.

Срещу хидравлични удари в отоплителната мрежа трябва да се вземат превантивни мерки, например монтаж на амортизатор на хидравлични удари в първичния воден кръг съгласно инструкцията на производителя.

За предотвратяване на кондензация върху топлоразпределителната система регулирайте подходящо температурата на подаващата линия и настройте на място долната граница на температурата на подаващата линия.

За работа с хладилния агент вж. ръководството за монтаж на външното тяло.

2 Въведение

Целта на това ръководство за монтаж е да инструктира компетентни лица за безопасен и ефективен монтаж и пускане в експлоатация на Hydrobox. Лицата, за които се отнася това ръководство, са компетентни инсталатори и/или техници по отоплителна/хладилна техника, преминали и завършили

успешно необходимото обучение за продукта при Mitsubishi Electric и притежаващи съответните квалификации за монтаж на Hydrobox за гореща вода в съответната страна.

■ Спецификация на продукта

Обозначение на уреда	800 x 530 x 360 mm										950 x 600 x 360 mm									
	EHSD-MED	EHSD-VM2D	EHSD-VM6D	EHSD-VM9D	EHSD-TM9D	ERSD-MED	ERSD-VM2D	ERSD-VM6D	ERSD-VM9D	EHSC-MED	EHSC-VM2D	EHSC-VM6D	EHSC-VM9D	EHSC-TM9D	ERSC-MED	ERSC-VM2D	ERSC-VM6D	ERSC-VM9D	ERSE-MED	ERSE-VM9ED
Общи размери на уреда (височина x ширина x дълбочина)																				
Тегло (собствено)	36 kg	43 kg	44 kg	44 kg	44 kg	38 kg	44 kg	44 kg	44 kg	40 kg	47 kg	48 kg	48 kg	48 kg	41 kg	48 kg	41 kg	48 kg	64 kg	62 kg
Тегло (в пълно състояние)	38 kg	48 kg	49 kg	49 kg	45 kg	39 kg	50 kg	49 kg	49 kg	42 kg	53 kg	54 kg	54 kg	54 kg	44 kg	54 kg	44 kg	54 kg	74 kg	72 kg
Воден обем на отоплителния кръг в уреда *1	1,7 kg	5,2 kg	5,2 kg	5,2 kg	5,2 kg	1,7 kg	5,2 kg	5,2 kg	5,2 kg	2,6 kg	6,1 kg	6,1 kg	6,1 kg	6,1 kg	2,6 kg	6,1 kg	6,1 kg	10,0 kg	10,0 kg	10,0 kg
Разширителен съд без вентилация (първичен отоплителен кръг)	—	10 L	10 L	—	10 L	—	10 L	—	10 L	—	10 L	—	10 L	—	10 L	—	10 L	—	—	—
Входно налягане	—	1 bar	1 bar	—	1 bar	—	1 bar	—	1 bar	—	1 bar	—	1 bar	—	1 bar	—	1 bar	—	—	—
Температурен датчик	1 – 80°C																			
Предпазен клапан	0,3 MPa (3 bar)																			
Сензор поток	Минимален поток 5,0 L/min (Вж. таблица 4.3.1 относно диапазона на водния дебит)																			
Предпазен термостат	—	90°C	90°C	—	90°C	—	90°C	—	90°C	—	90°C	—	90°C	—	90°C	—	90°C	—	—	—
Термопредпазител (срещу прегряване на електронгревателния прът)	—	121°C	121°C	—	121°C	—	121°C	—	121°C	—	121°C	—	121°C	—	121°C	—	121°C	—	121°C	—
Връзки	G1-A																			
Хладилен агент (R32/R410A)	6,35 mm																			
Газ	12,7 mm																			
Температура на потока	20 – 60°C																			
Температура на помещението	10 – 30°C																			
Околна температура *2	0 – 35°C (≤ 80% RH)																			
Външна температура	Вж. таблицата в спецификацията на външното тяло.																			
Захранване с напрежение (фаза, напрежение, честота)	~N, 230 V, 50 Hz																			
Предпазител (*при захранване с напрежение от независим източник)	10 A																			
Захранване с напрежение (фаза, напрежение, честота)	—	~N, 230 V, 50 Hz	3~ 400 V, 50 Hz	3~ 230 V, 50 Hz	3~ 230 V, 50 Hz	—	~N, 230 V, 50 Hz	~N, 230 V, 50 Hz	~N, 230 V, 50 Hz	—	~N, 230 V, 50 Hz	~N, 230 V, 50 Hz	3~ 400 V, 50 Hz	3~ 230 V, 50 Hz	—	~N, 230 V, 50 Hz	~N, 230 V, 50 Hz	3~ 400 V, 50 Hz	3~ 400 V, 50 Hz	—
Електронгревателен прът	—	2 kW	2 kW +4 kW	3 kW +6 kW	3 kW +6 kW	—	2 kW	3 kW +6 kW	3 kW +6 kW	—	2 kW	2 kW +4 kW	3 kW +6 kW	3 kW +6 kW	—	2 kW	2 kW +4 kW	3 kW +6 kW	3 kW +6 kW	—
Сила на тока	—	9 A	26 A	13 A	23 A	—	9 A	23 A	23 A	—	9 A	26 A	13 A	23 A	—	9 A	26 A	13 A	13 A	—
Предпазител	—	16 A	32 A	16 A	32 A	—	16 A	32 A	32 A	—	16 A	32 A	16 A	32 A	—	16 A	32 A	16 A	16 A	—
Ниво на силата на шума	41 dB(A)																			
	40 dB(A)																			
	45 dB(A)																			

<Таблица 3.1>

*1 Тръбопроводите към разширителния съд не са включени в тази стойност.

*2 Обкръжаващата среда трябва да е защитена от замръзване.

*3 Вж. таблицата в спецификацията на външното тяло. (мин. 10°C)

Охладителният режим не е на разположение при ниска околна температура.

Ако използвате нашата система в охладителен режим при ниска външна температура (10 °C или по-ниска), има риск от повреди от замръзнала вода по пластинчатия топлообменник.

Обозначение на уреда		ЕНСЕ-УМ9ЕВ	ЕНРХ-МЕД	ЕНРХ-МЕД	ЕНРХ-МЕД	ЕНРХ-УМ6Д	ЕНРХ-УМ9Д	ЕНРХ-УМ9ЕВ
Общи размери на уреда (височина x ширина x дълбочина)		950 x 600 x 360 mm		800 x 530 x 360 mm		800 x 530 x 360 mm		
Тегло (собствено)		63 kg		28 kg		37 kg		
Тегло (в пълно състояние)		73 kg		29 kg		41 kg		
Воден обем на отоплителния кръг в уреда *1		10,0 kg		1,0 kg		4,5 kg		
Разширителен съд без вентилация (първичен отоплителен кръг)		—		—		10 L		
Входно налягане		—		—		1 bar		
Воден кръг (първичен)		Температурен датчик		1 – 80°C				
Предпазен клапан		Предпазен клапан		0,3 MPa (3 bar)				
Сензор поток		Минимален поток 5,0 L/min (Вж. таблица 4.3.1 относно диапазона на водния дебит)		90°C		90°C		
Предпазен термостат		Термопредпазител (срещу прегряване на електронна-гревателния прът)		—		121°C		
Връзки		Вода (първичен кръг)		G1-1/2-B		G1-A		
Хладилен агент (R32/R410A)		Течност		9,52 mm		—		
Газ		Газ		25,4 mm (спойка)		—		
Температура на подача		Отопление		20 – 60°C		—		
Охлаждане		Охлаждане		10 – 30°C		—		
Температура на помещението		Охлаждане		—		—		
Околна температура *2		Отопление		0 – 35°C (≤ 80% RH)		—		
Външна температура		Отопление		Вж. таблицата в спецификацията на външното тяло		—		
Управляваща платка (включително 4 помпи)		Захранване с напрежение (фаза, напрежение, честота)		—		—		
Предпазител		Предпазител (* при захранване с напрежение от независим източник)		10 A		—		
Електронна-гревателен прът		Захранване с напрежение (фаза, напрежение, честота)		3~ 400 V, 50 Hz		3~ 400 V, 50 Hz		
Мощност		Мощност		3kW +6kW		3kW +6kW		
Сила на тока		Сила на тока		13 A		13 A		
Предпазител		Предпазител		16 A		16 A		
Ниво на силата на шума		45 dB(A)		40 dB(A)		40 dB(A)		

<Таблица 3.2>

*1 Тръбопроводите към разширителния съд не са включени в тази стойност.

*2 Обкръжаващата среда трябва да е защитена от замръзване.

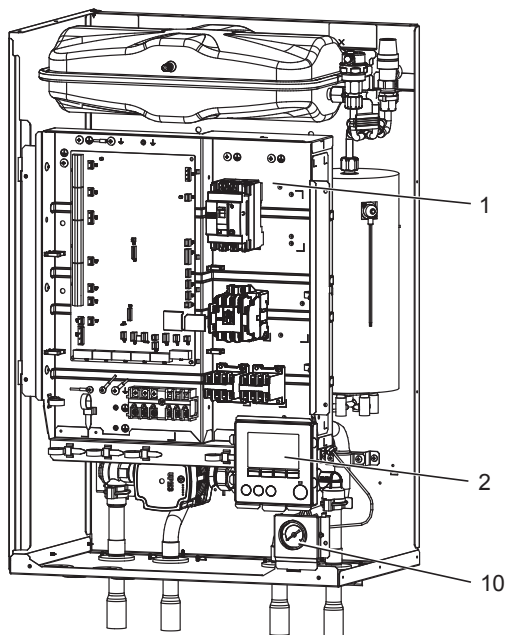
*3 Вж. таблицата в спецификацията на външното тяло. (мин. 10°C)

Охладителният режим не е на разположение при ниска околна температура. Ако използвате нашата система в охладителен режим при ниска външна температура (10 °C или по-ниска), има риск от повреда от замръзнала вода по пластмасовите топлообменник.

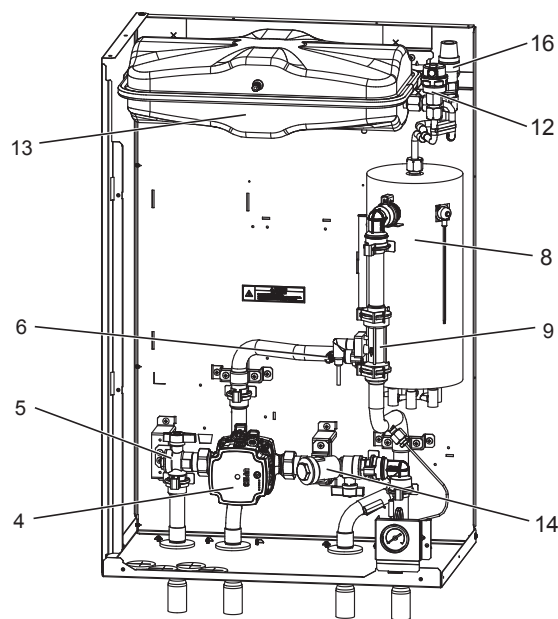
3 Техническа информация

■ Компоненти

<EHPX-*M*D> (моноблок система)

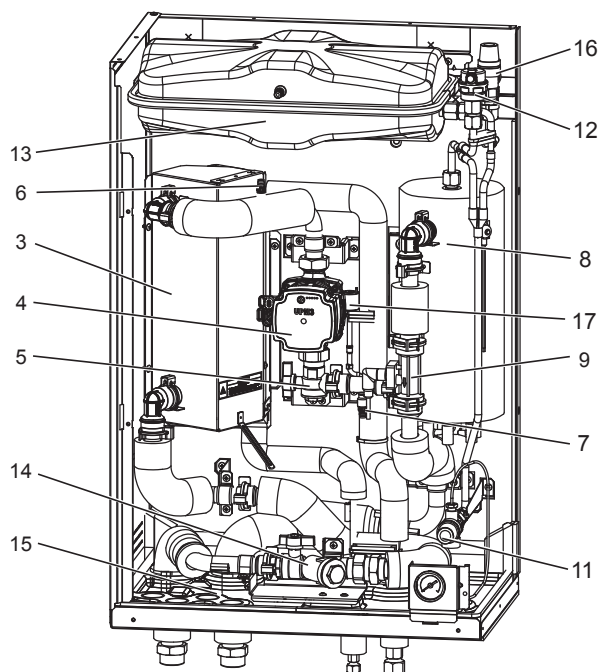


<Фигура 3.1>



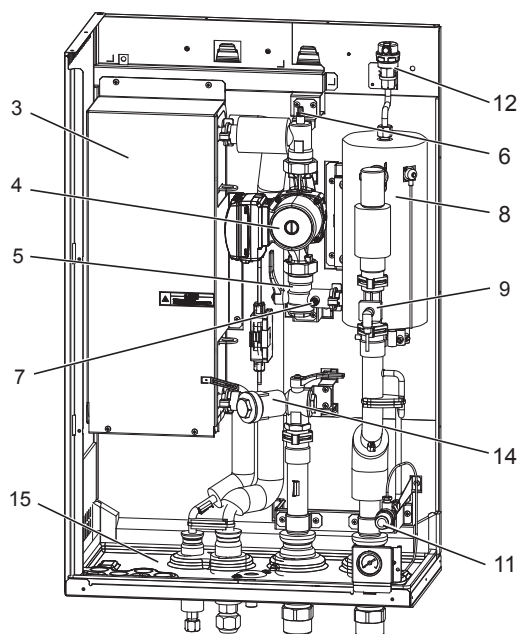
<Фигура 3.2>

<E*S*-*M**D> (сплит система)



<Фигура 3.3>

<E*SE-*M*ED>



<Фигура 3.4>

№	Обозначение на частта	EHPX-*M*(E)D	EHS*-MED	EHS*-*M*D	EHS*-YM9ED	ERS*-*M*(E)D	ERS*-MED
1	Разпределителна кутия	✓	✓	✓	✓	✓	✓
2	Главно управление	✓	✓	✓	✓	✓	✓
3	Пластинчат топлообменник (фреон-вода)	-	✓	✓	✓	✓	✓
4	Помпа на отоплителния кръг 1	✓	✓	✓	✓	✓	✓
5	Спирателен кран на помпата	✓	✓	✓	✓	✓	✓
6	Обезвъздушител (ръчен)	-	✓	✓	✓	✓	✓
7	Кран за източване (първичен кръг)	✓	✓	✓	✓	✓	✓
8	Електронагревателен прът 1, 2	✓	-	✓	✓	✓	-
9	Датчик поток	✓	✓	✓	✓	✓	✓
10	Манометър	✓	✓	✓	✓	✓	✓
11	Предпазен клапан за повишено налягане (3 bar)	-	✓	✓	✓	✓	✓
12	Автоматичен обезвъздушител	✓	✓	✓	✓	✓	✓
13	Разширителен съд	✓*1	-	✓	-	✓*2	-
14	Кран-филтър	✓	✓	✓	✓	✓	✓
15	Дренажна вана	-	-	-	-	✓	✓
16	Предпазен клапан за повишено налягане (5 bar)	✓*1	-	✓	-	✓*2	-
17	Сензор за налягане	-	✓*3	✓*3	✓*3	✓*3	✓*3

<Таблица 3.3>

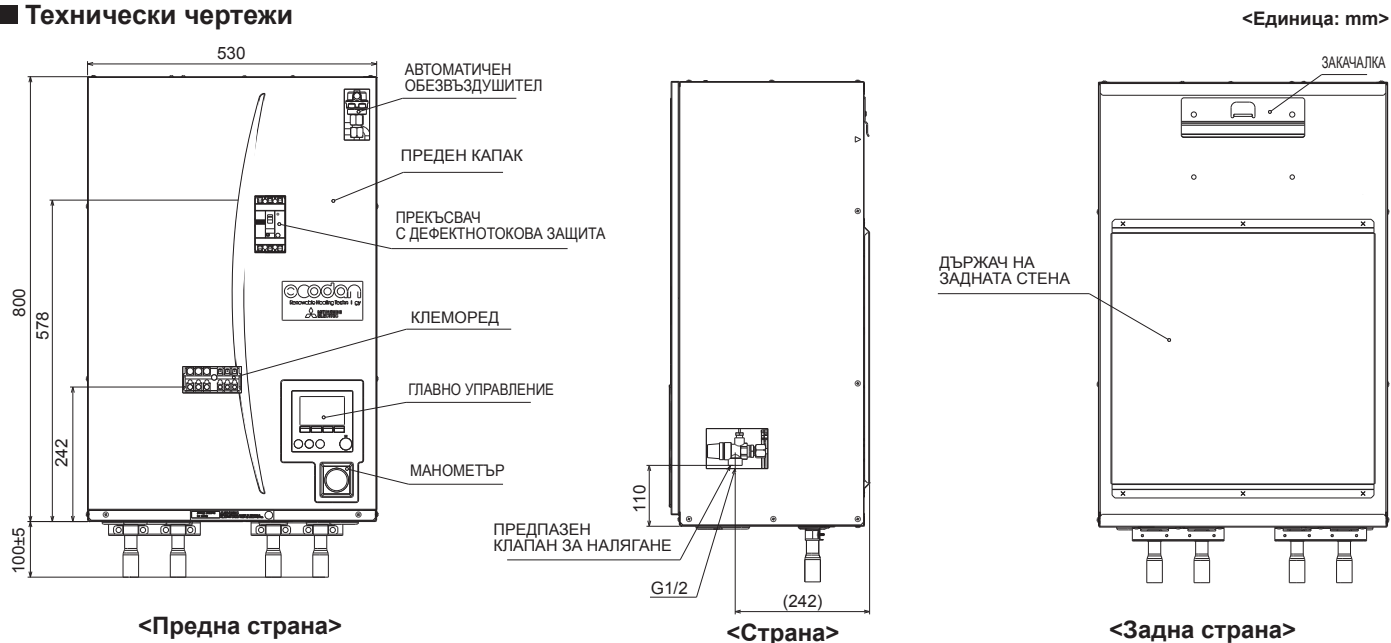
Забележка:

За монтиране на всички модели E***-*M*ED непременно инсталирайте разширителен съд от първичната страна с подходящ размер и допълнителен предпазен клапан за повишено налягане, за да предотвратите избухване на разширителния съд на място. (вж. фигура 3.5 – 3.6 и 4.3.10 за допълнителна помощ)

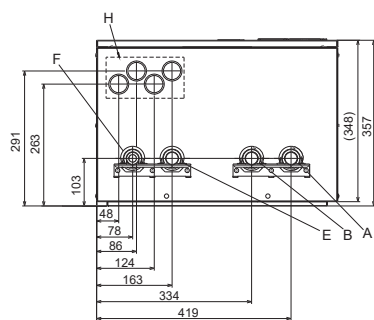
*1 EHPX-YM9ED и EHPX-MED не са включени.
*2 ERSE-YM9ED не е включен.
*3 Само модел 2HP (E*SD).

3 Техническа информация

Технически чертежи



<ЕНРХ> (моноблок система)



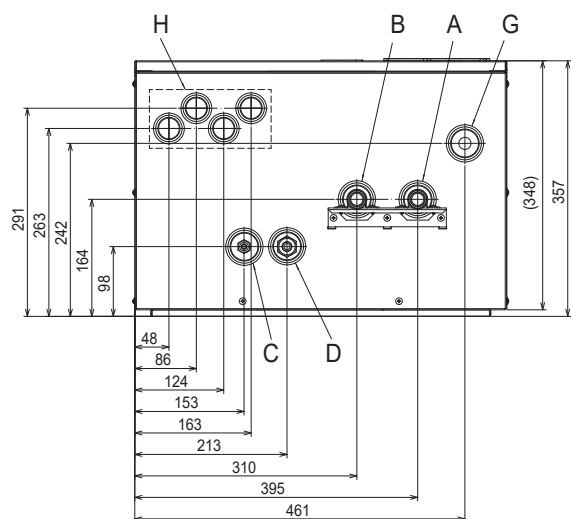
<Изглед отдолу>

Поз.	Връзка	Диаметър/Тип връзка	
A	Връщаща линия отоплителна система/Индиректен бойлер за БГВ (първична страна)	28 mm/Клемна връзка (ЕН**-*) Гайка G1 (ЕРS**-*)	
B	Подаваща линия отоплителна система/Индиректен бойлер за БГВ (първична страна)	28 mm/Клемна връзка (ЕН**-*) Гайка G1 (ЕРS**-*)	
C	Хладилен агент (течност)	6,35 mm/Фалц (Е*SD-*) 9,52 mm/Фалц (Е*SC-*)	⚠ Предупреждение • Връзките на тръбите на хладилния агент трябва да са достъпни с цел поддръжка. • В случай на повторно свързване на тръбите на хладилния агент след разделяне фалцовата част на тръбата трябва да се произведе отново.
D	Хладилен агент (газ)	12,7 mm/Фалц (Е*SD-*) 15,88 mm/Фалц (Е*SC-*)	
E	Връзка подаваща линия на термопомпата	28 mm/Клемна връзка (ЕНРХ-*)	
F	Връзка връщаща линия на термопомпата	28 mm/Клемна връзка (ЕНРХ-*)	
G	Дренажна тръба (от инсталатора) на предпазния клапан за повишено налягане	G1/2" вътрешна резба (седло на клапана вътре в тялото на Hydrobox)	
H	Входове за електрически кабели	Входове за кабели ① и ②, окабеляване за високо напрежение, включително тоководещи кабели, вътрешни/външни кабели и външни изходни кабели. Входове за кабели ③ и ④, окабеляване за ниско напрежение, включително външни сигнални кабели и кабели за температурни датчици. За кабели на безжичния приемник (опция) използвайте входа за кабел ④.	
I	Връзка за дренажа	Външен Ø 20	

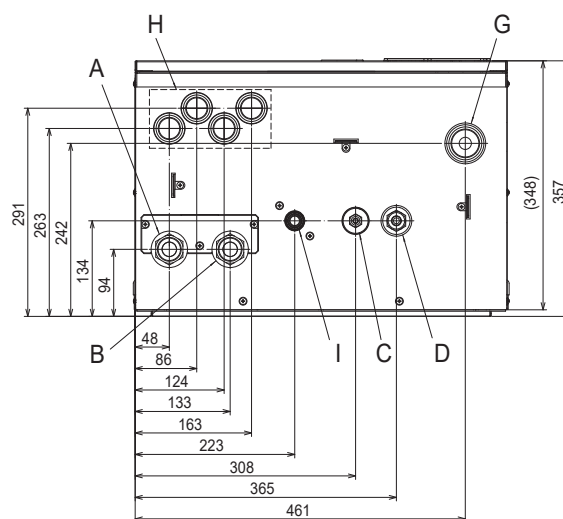
<Таблица 3.4>

3 Техническа информация

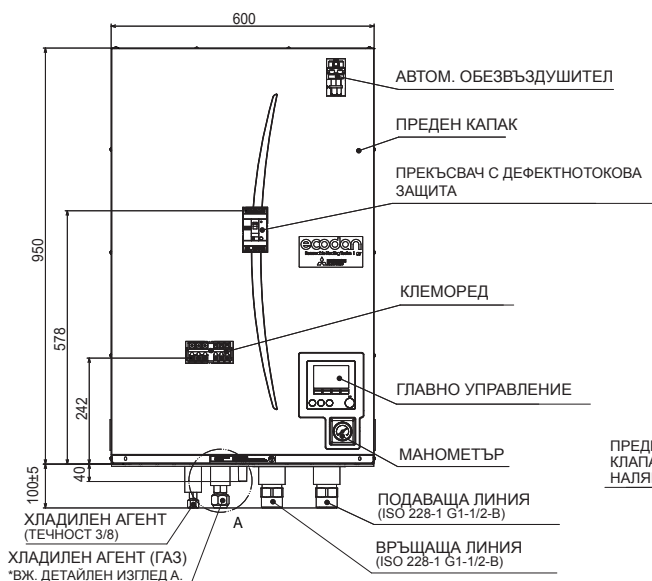
<ENS*> (сплит система)



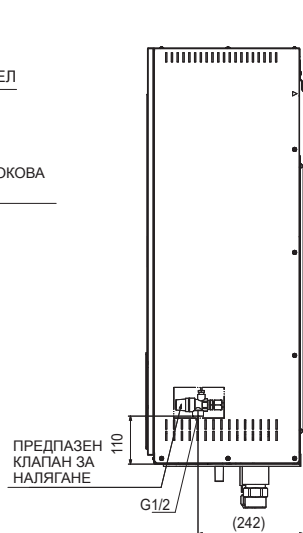
<ERS*> (сплит система за отопление и охлаждане)



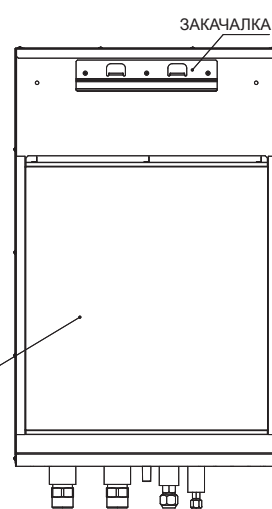
<E*SE> (система за отопление/за отопление и охлаждане)



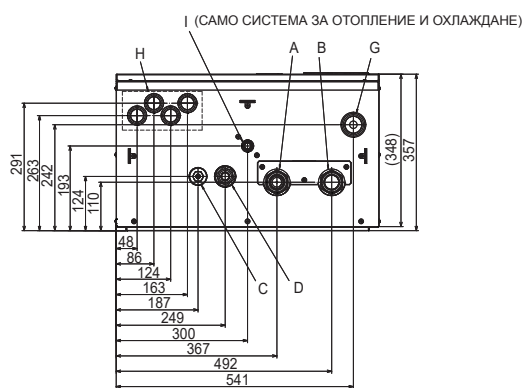
<Предна страна>



<Страна>



<Задна страна>



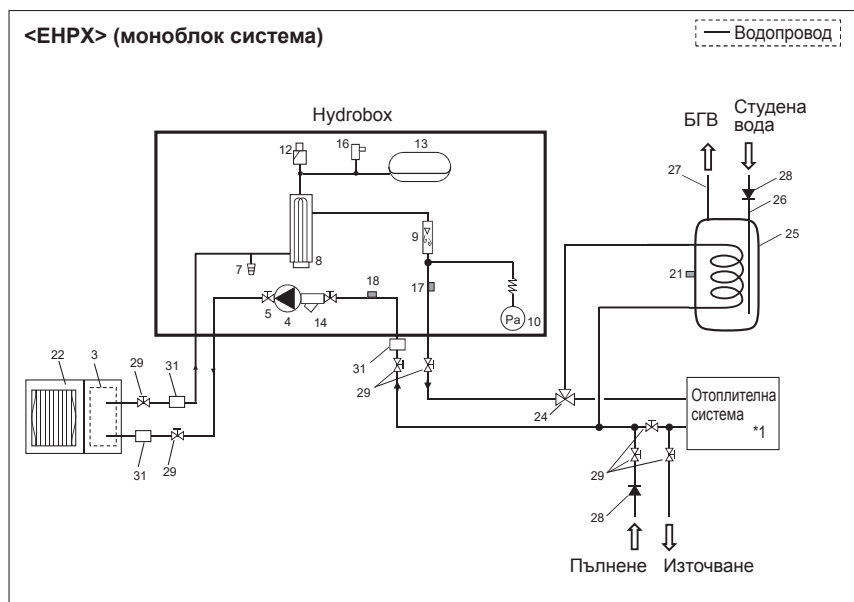
<Изглед отдолу>



bg

■ Хидравлично устройство

*1 Вж. следващия раздел [Отоплителна система].



<Фигура 3.5>

Забележка

- При монтажа на връзките за БГВ спазвайте действащите при Вас местни наредби.
- Връзките за БГВ не са включени в пакета Hydrobox. Всички необходими части трябва да се набавят на място.
- Монтирайте спирателните кранове на тръбопроводите за пълнене и източване на Hydrobox, за да осигурите пълненето.
- Монтирайте филтър във връзката за пълнене на Hydrobox.
- На всички предпазни клапани за повишено налягане трябва да се монтира подходящ тръбопровод за източване съгласно действащите във Вашата страна наредби.
- На входа за студена вода монтирайте възвратен клапан съгласно IEC 61770.
- В случай че се свързват компоненти или свързващи тръбопроводи от различни метали, свързващите елементи трябва да се изолират, за да се предотврати всякаква повреда поради корозия.

№	Обозначение на частта	ЕНРХ- *M*(E)D	ЕHS- MED	ЕHS- *M*D	ЕHS- YM 9ED	ERS- *M*(E) D	ERS- MED
1	Разпределителна кутия	✓	✓	✓	✓	✓	✓
2	Главно управление	✓	✓	✓	✓	✓	✓
3	Пластинчат топлообменник (фреон-вода)	-	✓	✓	✓	✓	✓
4	Помпа на отоплителния кръг 1	✓	✓	✓	✓	✓	✓
5	Спирателен кран на помпата	✓	✓	✓	✓	✓	✓
6	Обезвъздушител (ръчен)	-	✓	✓	✓	✓	✓
7	Кран за източване (първичен кръг)	✓	✓	✓	✓	✓	✓
8	Електронагревателен прът 1, 2	✓	-	✓	✓	✓	-
9	Сензор за поток	✓	✓	✓	✓	✓	✓
10	Манометър	✓	✓	✓	✓	✓	✓
11	Предпазен клапан за повишено налягане (3 bar)	-	✓	✓	✓	✓	✓
12	Автоматичен обезвъздушител	✓	✓	✓	✓	✓	✓
13	Разширителен съд	✓*2	-	✓	-	✓*3	-
14	Кран-филтър	✓	✓	✓	✓	✓	✓
15	Дренажна вана	-	-	-	-	✓	✓
16	Предпазен клапан за повишено налягане (5 bar)	✓*2	-	✓	-	✓*3	-
17	ТНW1	✓	✓	✓	✓	✓	✓
18	ТНW2	✓	✓	✓	✓	✓	✓
19	ТН2	-	✓	✓	✓	✓	✓
20	Сензор за налягане	-	✓*4	✓*4	✓*4	✓*4	✓*4
21	ТНW5B (Опционално PAC-TH011TK2-E или PAC-TH011TKL2-E)	-	-	-	-	-	-
22	Външно тяло	-	-	-	-	-	-
23	Тръбопровод за източване (осигурен на място)	-	-	-	-	-	-
24	3-пътен вентил (осигурен на място)	-	-	-	-	-	-
25	Индиректен бойлер за БГВ (осигурен на място)	-	-	-	-	-	-
26	Входна тръба за студена вода (осигурена на място)	-	-	-	-	-	-
27	Изходна тръба за БГВ (осигурена на място)	-	-	-	-	-	-
28	Възвратен клапан (осигурен на място)	-	-	-	-	-	-
29	Спирателен кран (осигурен на място)	-	-	-	-	-	-
30	Магнитен филтър (осигурен на място) (препоръчителен)	-	-	-	-	-	-
31	Филтър (осигурен на място)	-	-	-	-	-	-

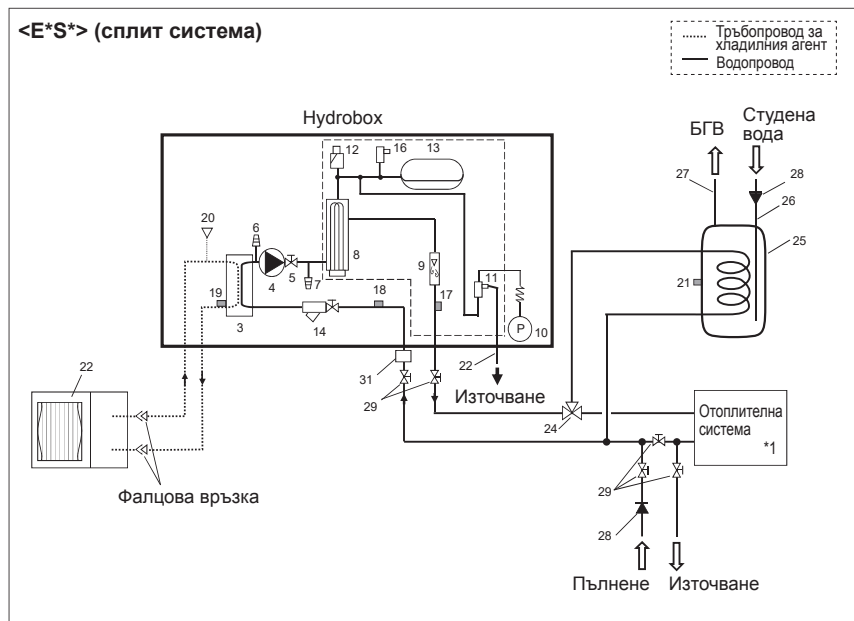
<Таблица 3.5>

*1 Вж. следващия раздел [Отоплителна система].

*2 ЕНРХ-YM9ED и ЕНРХ-MED не са включени.

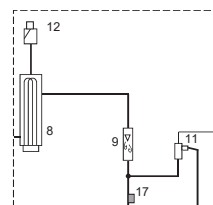
*3 ERSE-YM9ED не е включен.

*4 Само модел 2HP (E*SD).



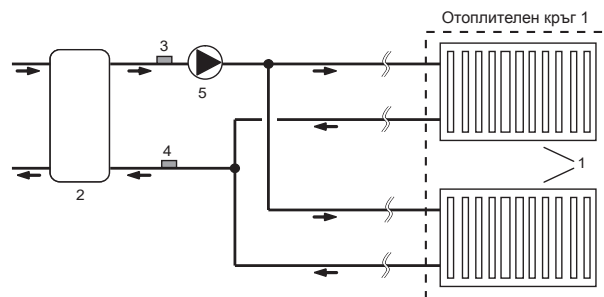
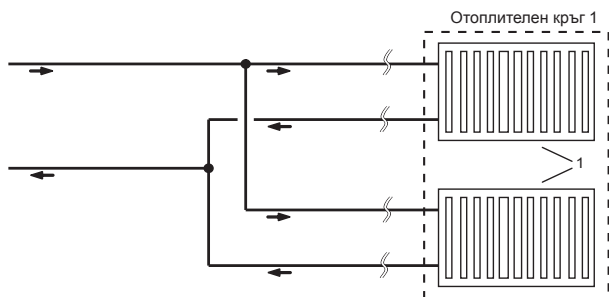
<Фигура 3.6>

<Само E*SE>

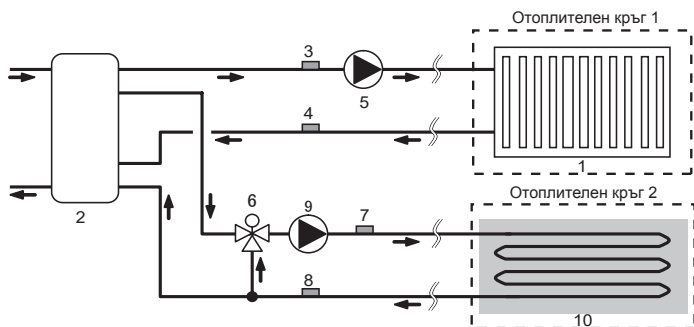


■ Отоплителна система

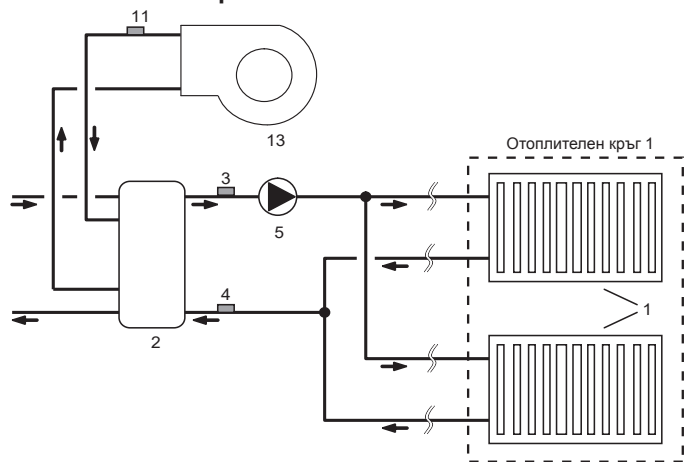
1 отоплителен кръг



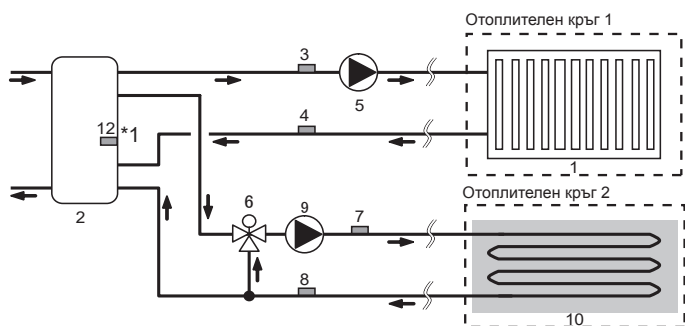
2 отоплителни кръга



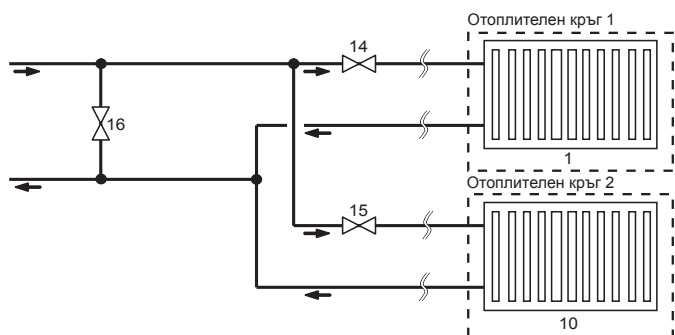
1 отоплителен кръг с котел



Температурно регулиране 2 отоплителни кръга и управление на буферния бойлер



1 отоплителен кръг (2-пътен вентил, регулиране на ВКЛ./ИЗКЛ.)



1. Топлообменни повърхности Отоплителен кръг 1 (напр. радиатор, вентилаторен конвектор) (осигурени на място)
2. Буферен съд (осигурен на място)
3. Температурен датчик подаваща линия Отоплителен кръг 1 (THW6) } Опционална част:
4. Температурен датчик връщаща линия Отоплителен кръг 1 (THW7) } PAC-TH011-E
5. Помпа Отоплителен кръг 1 (осигурена на място)
6. Моторизиран смесителен вентил (осигурен на място)
7. Температурен датчик подаваща линия Отоплителен кръг 2 (THW8) } Опционална част:
8. Температурен датчик връщаща линия Отоплителен кръг 2 (THW9) } PAC-TH011-E
9. Помпа Отоплителен кръг 2 (осигурена на място)

10. Топлообменни повърхности Отоплителен кръг 2 (напр. подово отопление) (осигурени на място)
 11. Температурен датчик подаваща линия на котела (THWB1) } Опционална част:
 12. Температурен датчик на буферния съд (THW10) *1 } PAC-TH012HT(L)-E
 13. Котел (осигурен на място)
 14. 2-пътен вентил Отоплителен кръг 1 (осигурен на място)
 15. 2-пътен вентил Отоплителен кръг 2 (осигурен на място)
 16. Байпасен клапан (осигурен на място)
- *1 САМО управление на буферния бойлер (отопление/охлаждане) е приложимо за „Готовност за интел. мрежа“.

<Подготовка преди монтаж и техническо обслужване>

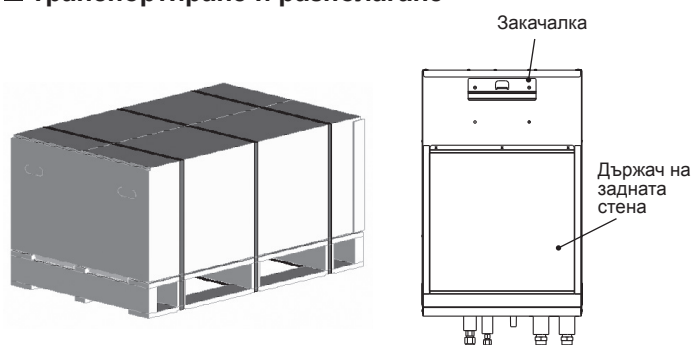
- Подгответе подходящи инструменти.
- Предприемете необходимите защитни мерки.
- Оставете частите да се охладят преди извършване на работи по техническото обслужване.
- Осигурете достатъчно добро проветряване.
- Изключете захранването с напрежение и издърпайте щепсела от електрическия контакт, преди да започнете работи по уреда.
- Разредете кондензатора, преди да започнете работи по електрическите части.

<Предпазни мерки по време на техническото обслужване>

- Не извършвайте работи по електрическите части с мокри ръце.
- Не разливайте вода или други течности по електрическите части.
- Избягвайте контакт с хладилния агент.
- Не докосвайте горещи или студени повърхности на кръга на хладилния агент.
- В случай че ремонтът или инспекцията трябва да се извършат без изключване на захранването с напрежение, внимавайте специално да не докоснете токопревеждащи части.

4.1 Място за монтаж

■ Транспортиране и разполагане



<Фигура 4.1.1>

<Фигура 4.1.2>

Hydrobox се доставя върху дървен палет с предпазна картонена кутия.

bg

При транспортирането на Hydrobox трябва да се внимава да не се повреди кожухът. Отстранете предпазната опаковка едва когато Hydrobox пристигне на окончателното място за монтаж. Така се предпазват конструкцията и панелът на управление.

Забележка:

- Hydrobox трябва да се премества **ВИНАГИ** от минимум 2-ма души.
- **НЕ** дръжте тръбопровода, когато премествате или повдигате Hydrobox.

■ Подходящо място за монтаж

Преди монтажа Hydrobox трябва да се съхранява на защитено от замръзване и атмосферни влияния място. Модулите **НЕ** трябва да се подреждат един върху друг.

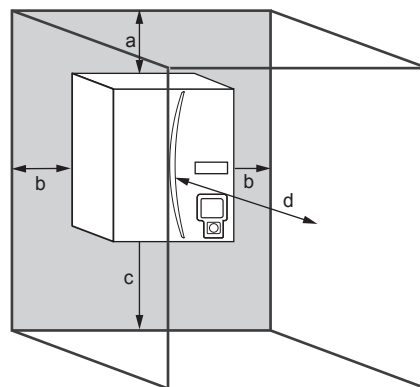
- Hydrobox трябва да се монтира в сграда на защитено от замръзване и атмосферни влияния място.
- Монтирайте Hydrobox на място, където не е изложен на вода респ. твърде много влага.
- Hydrobox трябва да се позиционира на равна стена, издържача теглото му, включително в пълно състояние.
- За теглото вж. раздел „3. Техническа информация“.
- Спазвайте минималните отстояния за техническото обслужване <Фигура 4.1.3>.
- Осигурете Hydrobox срещу преобръщане.
- Hydrobox трябва да се закрепи към стената със закачалката и стенните държачи. <Abbildung 4.1.2>

■ Минимални отстояния за работи по техническото обслужване

Минимални отстояния Hydrobox	
Позиция	Минимално отстояние (mm)
a	200
b	150
c	500
d	500

<Таблица 4.1.1>

За полагането на дренажните тръби ТРЯБВА да се остави достатъчно място съгласно националните и местните строителни норми и правила.



<Фигура 4.1.3>

Минимални отстояния за работи по техническото обслужване

Hydrobox трябва да се монтира в сграда и защитена от замръзване обкръжаваща среда, например в битово помещение, за да се минимизират загубите от отдаване на топлината на акумулираната вода в обкръжаващата среда.

■ Преместване на Hydrobox

В случай че желаете да преместите Hydrobox, предварително трябва да го ИЗПРАЗНИТЕ НАПЪЛНО, за да предотвратите повреди на уреда.

Забележка:

- **НЕ** дръжте тръбопровода, когато премествате или повдигате Hydrobox.

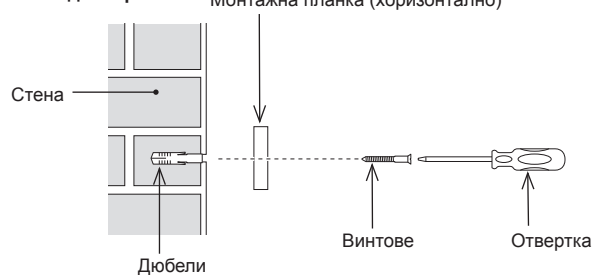
4 Монтаж

■ Монтаж

1. Монтирайте доставената като принадлежност монтажна планка.

* При монтажа на монтажната планка използвайте осигурените на място винтове и подходящи за тях дюбели.

<Изглед отстрани>



<Фигура 4.1.4>

• Поставете задната планка правилно, така че профилът на хоризонталната вдлъбнатина да се намира от ГОРНАТА СТРАНА.

В монтажната планка има кръгли или овални отвори за винтовете. За да не падне модулет от стената, изберете подходящ брой отвори или позиции на отвори и закрепете хоризонтално монтажната планка на подходящо място на стената.

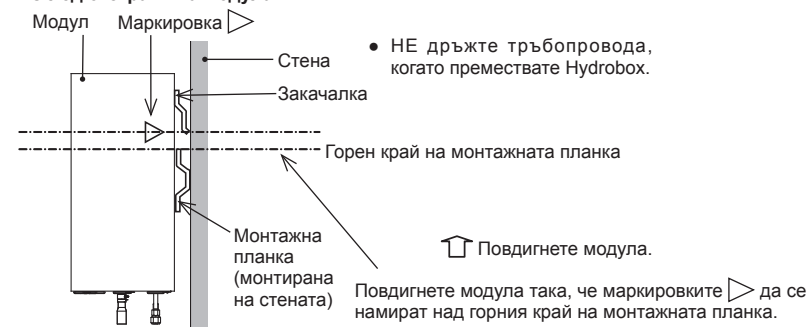
2. Закачете закачалката на задната страна на Hydrobox зад вдлъбнатината на монтажната планка.

*Повдигането на Hydrobox е по-лесно, когато модулет първо се наклони напред с помощта на фиксиращия материал от опаковката на доставката.

i) Дясната и лявата стена са обозначени с маркировка ▷.

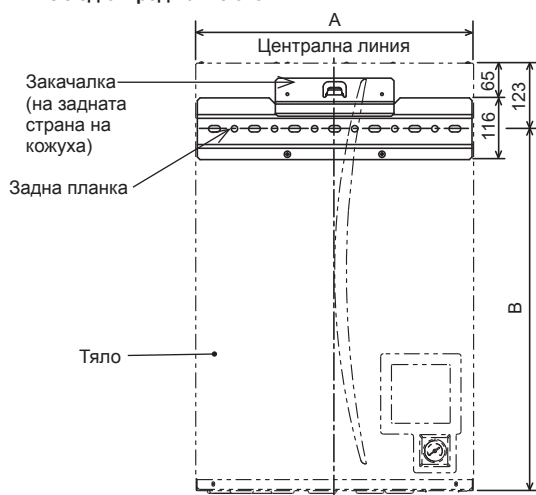
Повдигнете модула така, че маркировките ▷ да се намират над горния край на монтажната планка, както е показано по-долу.

<Изглед отстрани на модула>



<Фигура 4.1.5>

<Изглед отпред на тялото>



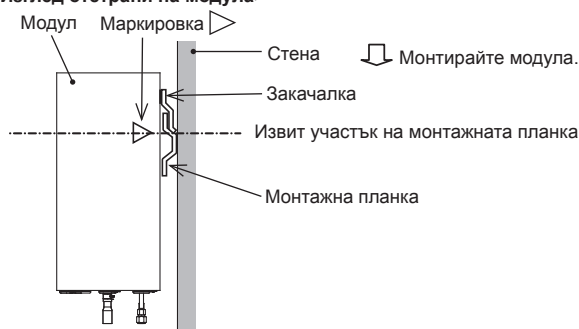
<Фигура 4.1.7>

• Фигура 4.1.7 показва относителните позиции между тялото и закрепената към стената задна планка. Монтирайте задната планка съгласно <фигура 4.1.3> на техническото обслужване.

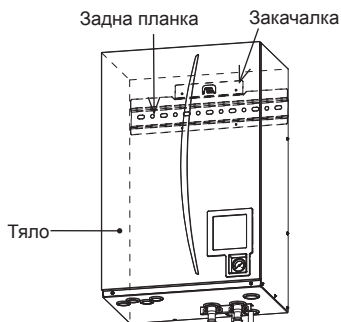
Размери (mm)	A	B
Hydrobox		
E*SC	530	677
E*SD		
EHPX		
E*SE	600	827

ii) Проверете и се уверете, че маркировките ▷ са разположени и правилно насочени към нивото на мястото на огъване на задната планка, както е показано по-долу.

<Изглед отстрани на модула>

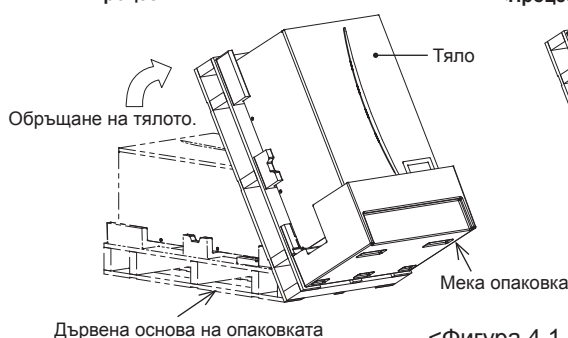


<Фигура 4.1.6>



<Фигура 4.1.8>

<Процес 1>



Дървена основа на опаковката

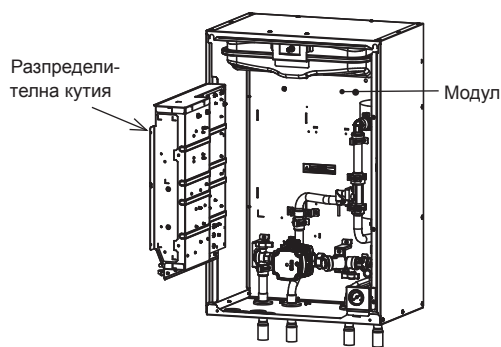
<Процес 2>



<Фигура 4.1.9>

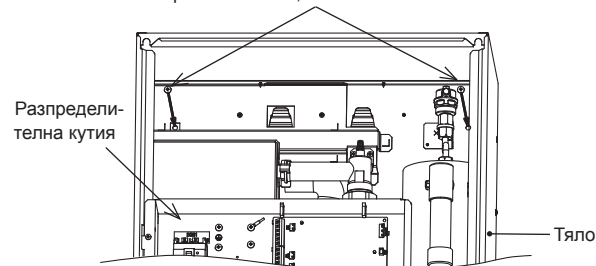
4 Монтаж

3. Закрепете тялото към задната планка съгласно „Достъп до вътрешните компоненти и разпределителната кутия“, като използвате включените 2 винта (от принадлежностите).



<Фигура 4.1.10>

Закрепете тялото, като използвате 2 винта.

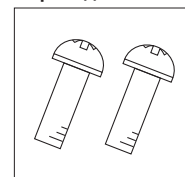


<Фигура 4.1.12>

Разпределителна кутия

Закрепете модула с помощта на 2-та винта.
* В случай че достъпът с електрически инструмент е труден, вместо него използвайте ръчен инструмент.

<Принадлежности>



Винт М5×8

<Фигура 4.1.11>

Повишено внимание: ПРЕДИ да положите тръбите на системата обърнете внимание, че тези два винта трябва да са монтирани и затегнати. В противен случай закачалката може да се разхлаби и модулет да падне.

4.2 Качество на водата и подготовка на системата

■ Обща информация

- Водата както в първичния кръг, така и в кръга на БГВ трябва да е чиста и да има рН стойност 6,5 – 8,0.
- Важат следните максимални стойности:
калций: 100 mg/L, калциева твърдост: 250 mg/L
хлор: 100 mg/L, мед: 0,3 mg/L
- Другите съставки трябва да отговарят на предписанията на Европейската директива 98/83/ЕО.
- За да се минимизира отлагането на котлен камък в райони, известни с твърда вода, е препоръчително нормалната температура на бойлера за БГВ да се ограничи до 55 °С.

■ Защита от замръзване

Течностите против замръзване би трябвало да съдържат пропиленгликол с токсичност от клас 1 съгласно Clinical Toxicology of Commercial Products, издание 5.

Забележка:

- Етиленгликолет е токсичен и НЕ би трябвало да се използва в първичния кръг, при авария може да доведе до замърсяване на кръга на битовата гореща вода.
- При регулиране на ВКЛ/ИЗКЛ с 2-пътни вентили би трябвало да се използва пропиленгликол.

■ Нов монтаж (първичен кръг)

- Преди свързването на външното тяло почистете старателно тръбопроводите от строителни отпадъци, остатъци от запояването и т.н. с помощта на подходящ химически препарат за почистване.
- Промийте системата, за да отстраните химическия препарат за почистване.
- При всички моноблок системи добавете комбинация от инхибитор и течност против замръзване, за да предотвратите повреди на тръбопроводите и компонентите на системата.
- При сплит системи отговорният инсталатор трябва да реши – в зависимост от условията на съответното местоположение – дали е необходима течност против замръзване. Но винаги трябва да се използва корозионен инхибитор.

■ Съществуваща инсталация (първичен кръг)

- Преди свързването на външното тяло наличният първичен кръг ТРЯБВА да се почисти по химически начин от остатъци от замърсявания.
- Промийте системата, за да отстраните химическия препарат за почистване.
- При всички моноблок системи добавете комбинация от инхибитор и течност против замръзване, за да предотвратите повреди на тръбопроводите и компонентите на системата.
- При сплит системи отговорният инсталатор трябва да реши – в зависимост от условията на съответното местоположение – дали е необходима течност против замръзване. Но винаги трябва да се използва корозионен инхибитор.

При използване на химически препарати за почистване и инхибитори следвайте винаги инструкциите на производителя и внимавайте продуктът да е подходящ за използваните в първичния кръг материали.

■ Минимално количество вода, необходимо в кръга за отопление на помещенията/кръга за охлаждане на помещенията

Външно тяло на термопомпата	Умерен/по-топъл климат**	По-студен климат**			
		Вътрешното тяло съдържа определено количество вода [L]	*Допълнително необходимо количество вода [L]	Вътрешното тяло съдържа определено количество вода [L]	*Допълнително необходимо количество вода [L]
Моноблок	PUZ-WM50	5	2	5	24
	PUZ-WM60		4		29
	PUZ-WM85		7		32
	PUZ-WM112		11		43
	PUZ-HWM140		15		55
Сплит	SUZ-SWM40	5	1	5	12
	SUZ-SWM60		2		21
	SUZ-SWM80		4		29
	PUHZ-FRP71		6		27
	PUHZ-SW75		6		27
	PUHZ-SW100		9		38
	PUHZ-SW120		12		47
	PUHZ-SW160		18		64
	PUHZ-SW200		24		81
	PUHZ-SHW80		6		29
	PUHZ-SHW112		11		43
	PUHZ-SHW140		15		55
	PUHZ-SHW230		28		94
	PUMY-P112		22		75
	PUMY-P125		22		75
PUMY-P140	22	75			

<Таблица 4.2.1>

* Ако има байпасен кръг, горната таблица показва минималното количество вода в случай на байпас.

** Вижте 2009/125/ЕО: Директива за продукти, свързани с енергопотреблението и Регламент (ЕС) № 813/2013, за да потвърдите своята климатична зона.

Случай 1. Няма разделение между първичния и вторичния кръг
• Уверете се, че е осигурено необходимото количество вода в съответствие с таблица 4.2.1 от водната помпа и радиатора или подовото отопление.

Случай 2. Разделени първичен и вторичен кръг

• Ако не е налична операцията за блокиране на първичната и вторичната помпа, осигурете необходимата допълнителна вода само в първичния кръг в съответствие с таблица 4.2.1.

• Ако е налична операцията за блокиране на първичната и вторичната помпа, осигурете цялото количество вода в първичния и вторичния кръг в съответствие с таблица 4.2.1.

В случай че необходимото количество вода намалее, монтирайте буферен бойлер.

4.3 Водопроеводи

Забележка: Внимавайтe тръбите на инсталацията да не натоварват механично тръбите към Hydrobox, затова ги закрепете към стената или намерете друго решение.

■ Тръбопроводи за гореща вода

Функционирането на следните предпазни компоненти на Hydrobox трябва да се провери при монтажа за отклонения от нормите:

- предпазен клапан за повишено налягане (първичен кръг и бойлер за БГВ)
- входно налягане на разширителния съд (работно налягане).

Инструкциите за безопасно оттичане на горещата вода от предпазните приспособления трябва да се следват стриктно.

- Тръбопроводите се нагряват много силно и трябва да се изолират, за да се предотвратят изгаряния.
- При свързването на тръбопроводите внимавайтe в тях да не попадат чужди тела, като например остатъци от замърсявания и други подобни.

■ Предпазни приспособления

Hydrobox съдържа предпазен клапан за повишено налягане с G1/2", връзка с вътрешна резба (вж. <Фигура 4.3.1>). Размерът на връзката с вътрешна резба е G1/2". Инсталаторът ТРЯБВА да свърже подходящ тръбопровод за източване от този кран съгласно действащите местни и национални наредби. В случай че това не бъде направено, предпазният клапан за повишено налягане ще източва директно в Hydrobox и това ще предизвика тежки повреди на продукта. Всички отточни тръбопроводи трябва да са устойчиви на изтичащата гореща вода. Отточните тръбопроводи трябва да се монтират с постоянен наклон надолу. Отточните тръбопроводи трябва да останат отворени към обкръжаващата среда.

Забележка: Обърнете внимание, че манометърът и предпазният клапан за повишено налягане НЕ трябва да се намират под механично натоварване от капиллярната им страна респ. входната страна.

В случай че допълнително се монтира предпазен клапан за повишено налягане, от голямо значение (с оглед на безопасността) е да не се монтира възвратен клапан или спирателен кран между връзката на Hydrobox и допълнително монтирания предпазен клапан за налягане.

■ Хидравличен филтър (САМО за серия ЕНРТ)

Монтирайтe хидравличен филтър или кран-филтър (осигурен на място) на входа за водата („Тръба Е“ в Таблица 3.4, вж. също схемата на Фиг. 3.5).

■ Връзки на тръбопроводите

При необходимост връзките към Hydrobox трябва да се осъществяват с помощта на клемна връзка 28 mm (серия ЕНСС/Д) или гайка G1 (серия ЕРСС/Д), гайка G1-1/2 (серия Е*СЕ). (Hydrobox има връзки с резба G1 или G1-1/2 (външна резба).)

Не затягайтe твърде силно клемните връзки, тъй като това може да доведе до деформация на запресованата втулка и евентуално до теч.

Забележка: Преди спояване на тръбопроводите на място защитетe помпите на Hydrobox, като използватe мокри кърпи и др. като „топлинен щит“.

Използватe два френски ключа, за да затегнатe тръбопроводната връзка (вж. <Фигура 4.3.2>).

■ Тръбопровод за източване (САМО ЕРСС и ЕРСД серии)

Тръбопроводът за източване трябва да се инсталира, за да може да се източва кондензатът в охладителен режим.

- Монтирайтe стабилно тръбопровода за източване, за да предотвратитe теч от връзката.
- Изолирайтe надеждно тръбопровода за източване, за да предотвратитe капене на вода от тръбопровода за източване на място.
- Монтирайтe тръбопровода за източване с наклон 1/100 или по-голям.
- Не полагайтe тръбопровода за източване в изпускателен канал със серни газове.
- След монтажа проверетe дали тръбопроводът за източване отвежда правилно водата от изхода на тръбата.

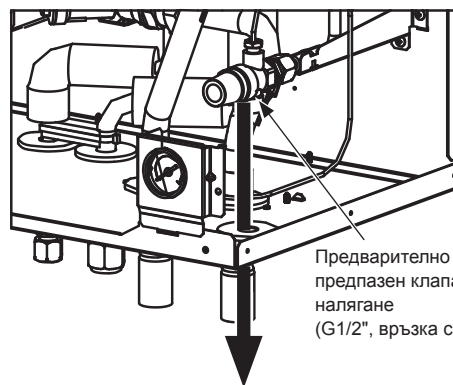
<Монтаж>

1. Обвийте зашрихованите повърхности на тръбопровода за източване и отвън на отвеждащия щуцер със залепваща лента от поливинилхлорид както е показано.
2. Поставетe отвеждащия щуцер дълбоко в тръбопровода за източване <Фигура 4.3.3>.

Забележка: Закрепете тръбопровода за източване на място с помощта на тръбна подпора, за да не падне от отвеждащия щуцер. Свържете подходящ тръбопровод за източване от изхода на Hydrobox, за да предотвратитe попадане на мръсна вода директно на пода до Hydrobox.

■ Изолиране на тръбопроводите

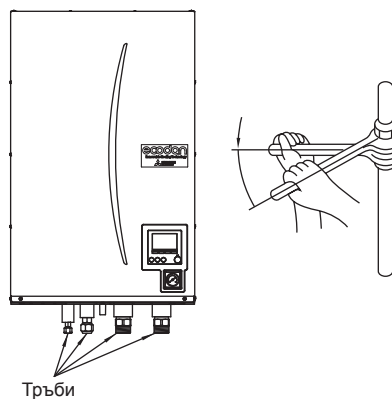
- Всички открити тръбопроводи трябва да се изолират, за да се предотвратят ненужни топлинни загуби и кондензация. За да не попада кондензат в Hydrobox, тръбопроводите и връзките в горната страна на Hydrobox трябва старателно да се изолират.
- Тръбопроводите за студена и гореща вода трябва по възможност да се полагат на известно разстояние един спрямо друг, за да се избегне нежелано топлопредаване.
- Тръбопроводите между външното тяло на открито и Hydrobox трябва да се изолират с подходящ материал за тръбна изолация с топлопроводимост $\leq 0,04 \text{ W/m.K}$.



Предварително монтиран предпазен клапан за повишено налягане (G1/2", връзка с вътрешна резба)

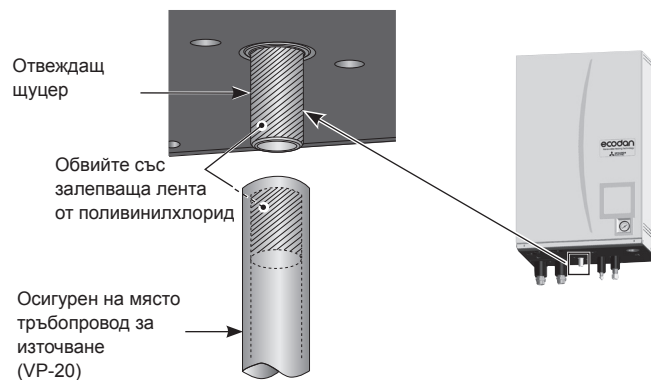
Изход за източване (тръбата ТРЯБВА да се монтира от инсталатора).

<Фигура 4.3.1>



Тръби

<Фигура 4.3.2>



Отвеждащ щуцер

Обвийте със залепваща лента от поливинилхлорид

Осигурен на място тръбопровод за източване (VP-20)

<Фигура 4.3.3>

■ Характеристики на водните помпи

Честотата на въртене на помпите може да се избере чрез настройка на главното управление (вж. <Фигури 4.3.4 – 4.3.9>).

Настройте честотата на въртене на помпите така, че скоростта на потока в първичния кръг да е подходяща за монтираното външно тяло (вж. Таблица 4.3.1). В зависимост от дължината и напорната височина на първичния кръг може да се наложи монтаж на допълнителна помпа в системата. При външно тяло, несъдържащо се в <Таблица 4.3.1>, използвайте диапазона на водния дебит, посочен в таблицата със спецификациите в техническия паспорт на външното тяло.

<Втора помпа>

В случай че за монтажа е необходима втора помпа, моля прочетете внимателно следните указания. В случай че в системата се използва втора помпа, тя може да се разположи по два различни начина. Позицията на помпата влияе върху това към коя клемна на ФТС трябва да се свърже сигналният кабел. В случай че допълнителната/ите помпа/и има/т сила на тока над 1 А, използвайте подходящо реле. Сигналният кабел на помпата може да се свърже или към ТВО.1 1-2, или към CNP1, но не към двете.

Опция 1 (само Отоплителен режим)

В случай че втората помпа се използва само за отоплителния кръг, сигналният кабел трябва да се свърже към ТВО.1 клемите 3 и 4 (OUT2). В тази позиция помпата може да работи с друга честота на въртене, различна от тази на монтираната в Hydrobox помпа.

Опция 2 (първичен кръг БГВ и Отоплителен режим)

В случай че втората помпа се използва в първичния кръг между Hydrobox и външното тяло (САМО моноблок система), сигналният кабел трябва да се свърже към ТВО.1 клемите 1 и 2 (OUT1). В тази позиция честотата на въртене на помпата ТРЯБВА да отговаря на честотата на въртене на монтираната в Hydrobox помпа.

Забелжка: Вж. раздел 5.2 „Свързване на входовете/изходите“.

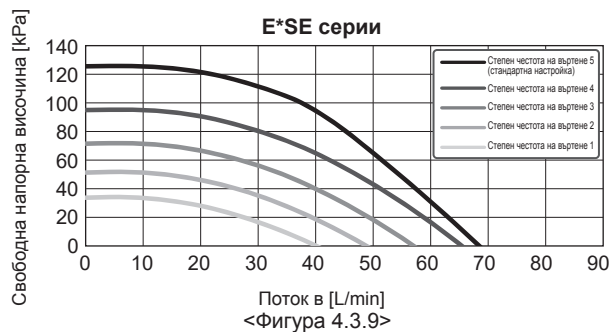
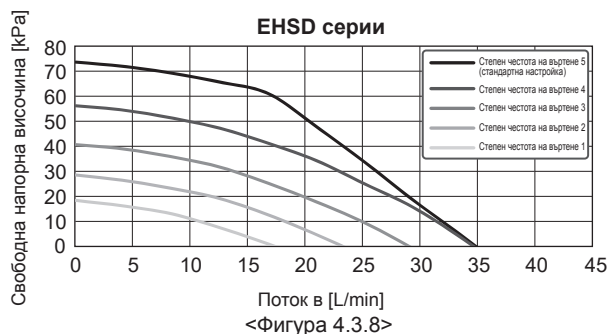
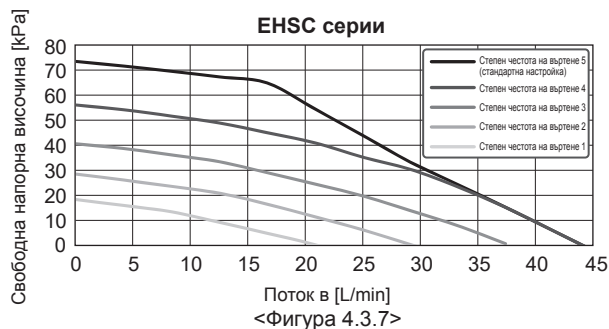
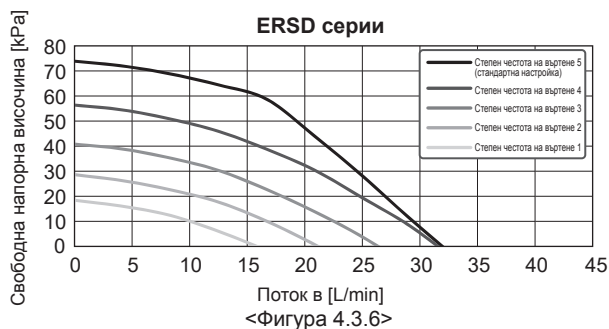
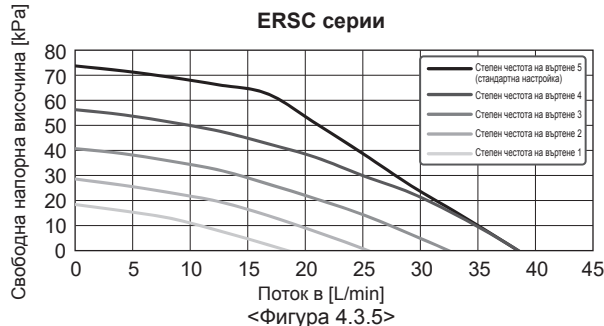
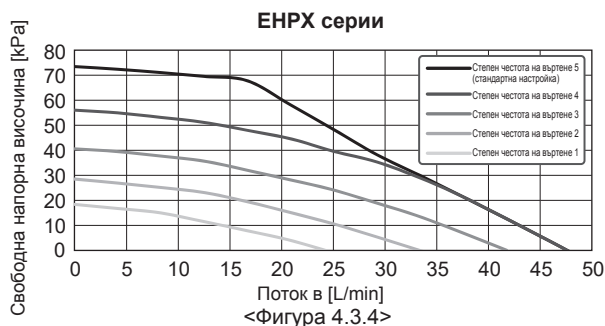
Външно тяло на термopомпата		Диапазон на водния дебит [L/min]
Моноблок	PUZ-WM50	6,5 - 14,3
	PUZ-WM60	8,6 - 17,2
	PUZ-WM85	10,8 - 25,8
	PUZ-WM112	14,4 - 32,1
	PUZ-HWM140	17,9 - 36,9
Сплит	SUZ-SWM40	6,5 - 11,4
	SUZ-SWM60	7,2 - 17,2
	SUZ-SWM80	7,8 - 21,5
	PUHZ-FRP71	11,5 - 22,9
	PUHZ-SW75	10,2 - 22,9
	PUHZ-SW100	14,4 - 32,1
	PUHZ-SW120	20,1 - 36,9
	PUHZ-SHW80	10,2 - 22,9
	PUHZ-SHW112	14,4 - 32,1
	PUHZ-SHW140	17,9 - 36,9
	PUMY-P112	17,9 - 35,8
PUMY-P125	17,9 - 35,8	
PUMY-P140	17,9 - 35,8	

<Таблица 4.3.1>

* В случай че потокът е по-малък от 5,0 L/min, се задейства датчикът поток в Hydrobox.

В случай че потокът превиши 36,9 L/min, скоростта на потока е по-висока от 2,0 m/s и това може да доведе до ерозионна корозия на тръбопроводите.

Характеристики на помпата



4 Монтаж

■ Оразмеряване на разширителните съдове

Обемът на разширителните съдове трябва да отговаря на водния обем на отоплителната система.

За изчисляване на параметрите на разширителен съд за отоплителния кръг могат да се използват следната формула и следната крива.

В случай че необходимият обем на разширителния съд е по-голям от обема на монтирания разширителен съд, монтирайте допълнителен разширителен съд, така че сумата от обемите на разширителните съдове да бъде по-голяма от необходимия обем на разширителния съд.

* За монтиране на модел E***.M*ED осигурете и инсталирайте подходящ разширителен съд от първичната страна и допълнителен предпазен клапан за повишено налягане 3 bar на място, понеже моделът не се предлага с предварително монтиран разширителен съд от първичната страна.

$$V = \frac{\varepsilon \times G}{1 - \frac{P_1 + 0,098}{P_2 + 0,098}}$$

където

V : необходим обем на разширителния съд [L]

ε : коефициент на разширение на водата

G : общ обем на водата в системата [L]

P₁ : настроено налягане на разширителния съд [MPa]

P₂ : максимално налягане по време на работа [MPa]

Кривата вдясно важи за следните стойности

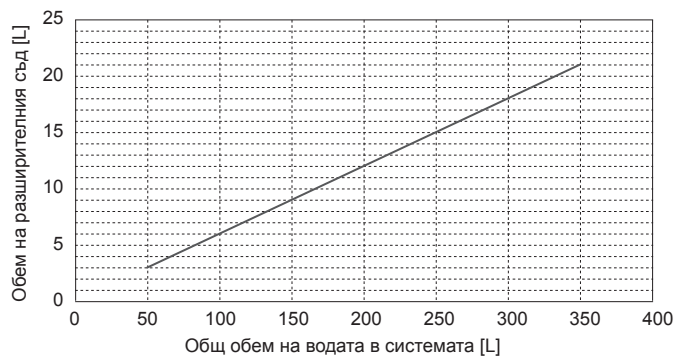
ε : при 70 °C = 0,0229

P₁ : 0,1 MPa

P₂ : 0,3 MPa

*Взета е под внимание предпазна хлабина от 30 %.

Оразмеряване на разширителните съдове

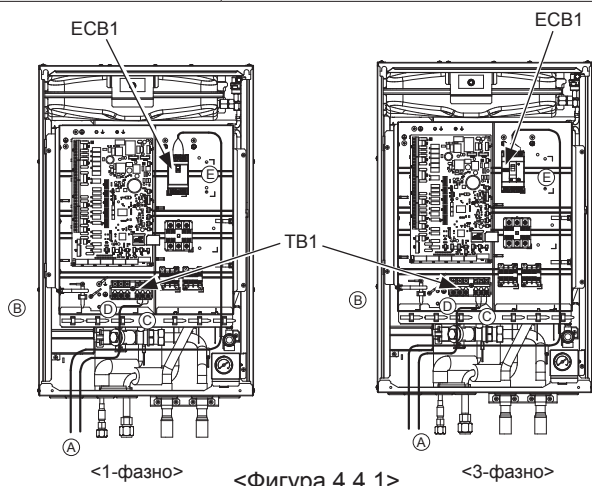


<Фигура 4.3.10>

4.4 Електрическо свързване

Всички електрически работи трябва да се извършват от инсталатор със съответната квалификация. Неспазване на това изискване може да доведе до токов удар, пожар или смърт. Отпада и гаранцията на продукта. Окабеляването като цяло трябва да отговаря на националните наредби за окабеляване.

Абревиатура на прекъсвача	Значение
ЕСВ1	Прекъсвач с дефектнотокова защита за електронагревателен прът
ТВ1	Клеморед 1



<Фигура 4.4.1>

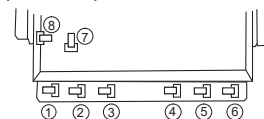
Hydrobox може да се захранва по два начина.

1. С мрежов кабел от външното тяло до Hydrobox.
2. Hydrobox с независим източник на ток.

Връзките трябва да се осъществяват – в зависимост от фазата – към клемите, обозначени на фигурите долу вляво.

Електронагревателният прът и електронагревателният елемент (за БГВ) трябва да се свържат независимо един от друг към отделен източник на ток.

- Проводниците на място трябва да се прокарат през входовете в цокъла на Hydrobox (вж. <Таблица 3.4>).
- Проводниците трябва да се вкарат надолу от лявата страна на разпределителната кутия и да се закрепят с предвидените скоби.
- Проводниците трябва да се фиксират с релейна връзка, както е показано по-долу.
 - Изходни проводници
 - Проводник вътре-вън
 - Тоководещ проводник (В.Н.)
 - Сигнални входни проводници
- Проводник за безжичен приемник (опционален) (PAR-WR51R-E)
- Свържете свързващия кабел външно тяло – Hydrobox към ТВ1.
- Свържете мрежовия кабел за електронагревателния прът към ЕСВ1.



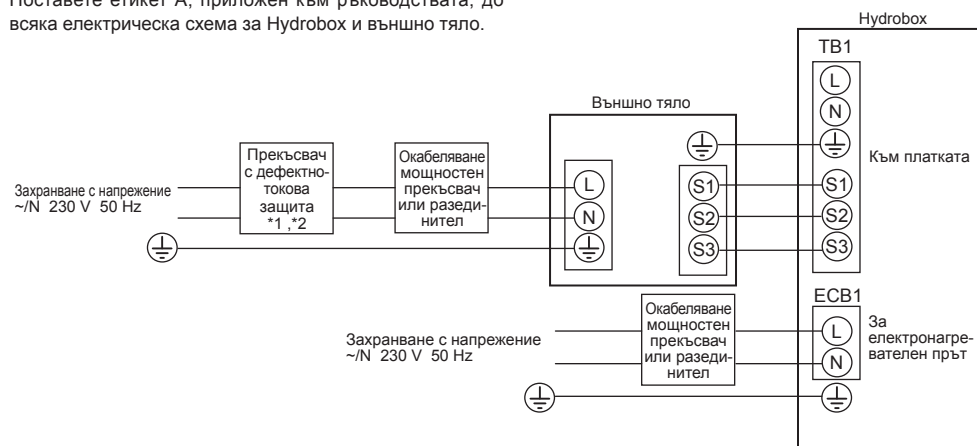
• Уверете се, че ЕСВ1 е ВКЛ.

bg

Захранване на Hydrobox с напрежение чрез външното тяло
(Ако желаете да използвате независим източник, отидете на веб сайта на Mitsubishi).

<1-фазно>

Поставете етикет А, приложен към ръководствата, до всяка електрическа схема за Hydrobox и външно тяло.

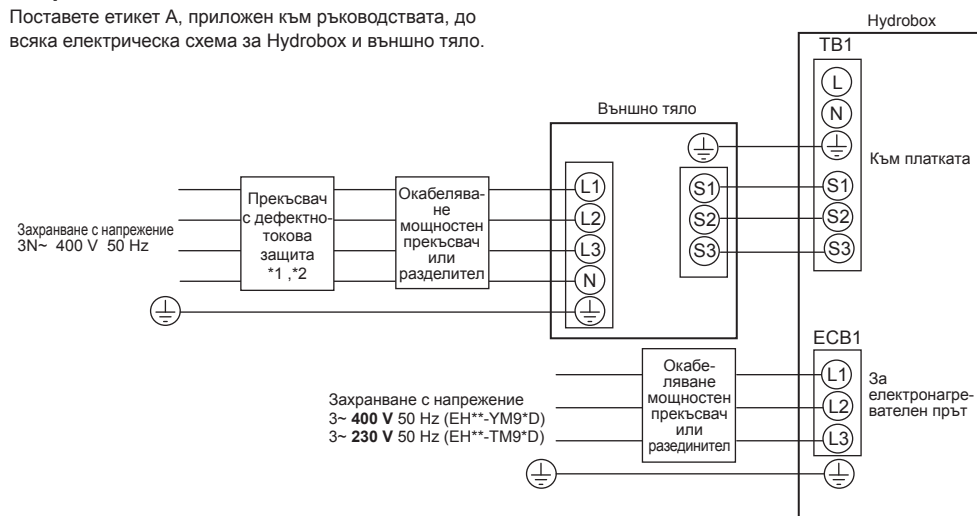


<Фигура 4.4.2>
Електрическо свързване 1-фазно

Описание	Захранване с напрежение	Мощност	Предпазител	Окабеляване
Електронагревателен прът	~/N 230 V 50 Hz	2 kW	16 A *2	2,5 mm ²
		6 kW	32 A *2	6,0 mm ²

<3-фазно>

Поставете етикет А, приложен към ръководствата, до всяка електрическа схема за Hydrobox и външно тяло.



<Фигура 4.4.3>
Електрическо свързване 3-фазно

Описание	Захранване с напрежение	Мощност	Предпазител	Окабеляване
Електронагревателен прът	3~ 400 V 50 Hz (EH**~YM9*D)	9 kW	16 A *2	2,5 mm ²
	3~ 230 V 50 Hz (EH**~TM9*D)	9 kW	32 A *2	6,0 mm ²

Окабеляване x напречно сечение (mm ²)	Окабеляване Hydrobox – външно тяло	*3	3 x 1,5 (полярно)
	Окабеляване Hydrobox – земя външно тяло	*3	1 x мин. 1,5
Вид напрежение	Hydrobox – външно тяло S1 – S2	*4	230 V AC
	Hydrobox – външно тяло S2 – S3	*4	24 V DC

- *1. В случай че монтираният преkъсвач с дефектнo-токова защита няма функция защита от свърхток, монтирайте предпазител с тази функция на същия токo-водещ проводник.
- *2. Трябва да се предвиди преkъсвач с разделяне на контакта от минимум 3,0 mm за всеки полюс. Използвайте преkъсвач с дефектнo-токова защита (NV). Преkъсвачът трябва да се предвиди, за да е гарантирано разделянето на всички активни фазови проводници на захранването.
- *3. Макс. 45 m. При използване на 2,5 mm² макс. 50 m. При използване на 2,5 mm² и разделяне от S3, макс. 80 m
- *4. Горепосочените стойности не винаги са измерени спрямо земя.

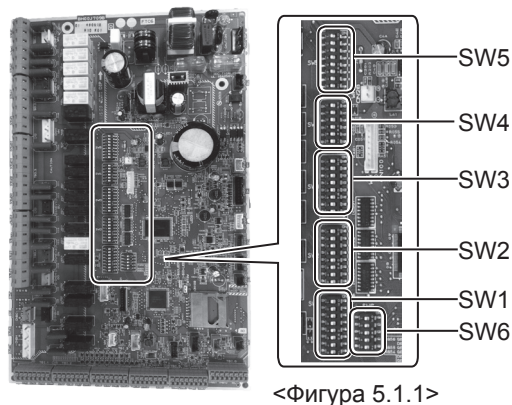
- Забележка:**
1. Окабеляването трябва да отговаря на съответните местни и национални нормативни документи.
 2. Свързващите кабели на вътрешното/външното тяло не трябва да са с по-лошо качество от това на гъвкавите проводници с обвивка от полихлоропрен. (изпълнение 60245 IEC 57)
Свързващите кабели на вътрешното тяло не трябва да са с по-лошо качество от това на гъвкавите проводници с обвивка от полихлоропрен. (изпълнение 60227 IEC 53)
 3. Монтирайте заземителен проводник с дължина, по-голяма от тази на другите кабели.
 4. Осигурете достатъчна изходна мощност при захранването с напрежение на всеки нагревател. Недостатъчна мощност на захранването с напрежение може да причини вибрация на контактната система.

5 Настройка на системата

5.1 Функции на DIP превключвателите

Номерът на DIP превключвателя е отпечатан върху платката встрани от съответните превключватели. Думата ON е отпечатана върху платката и върху самия DIP превключвател. За придвижване на превключвателя Ви е необходим молив или друг подобен предмет.

Настройките на DIP превключвателите са показани по-долу в Таблица 5.1.1. Само оторизиран инсталатор може да променя настройката на DIP превключвателите на своя отговорност и в съответствие с условията за монтаж. Обърнете внимание, че захранванията с напрежение както на вътрешното тяло, така и на външното тяло трябва да са изключени, преди да промените настройките на превключвателите.



<Фигура 5.1.1>

DIP превключвател	Функция	OFF/ИЗКЛ.	ON/ВКЛ.	Стандартни настройки: Тип вътрешно тяло				
SW1	SW1-1 Котел	БЕЗ котел	С котел	OFF				
	SW1-2 Термомопа макс. температура на подаващата линия	55 °C	60 °C	ON *1				
	SW1-3 Бойлер за БГВ	БЕЗ бойлер за БГВ	С бойлер за БГВ	OFF				
	SW1-4 Електронагревателен елемент	БЕЗ електронагревателен елемент	С електронагревателен елемент	OFF				
	SW1-5 Електронагревателен прът	БЕЗ електронагревателен прът	С електронагревателен прът	OFF: E***-MED ON : E***-M2/6/9*D				
	SW1-6 Електронагревателен прът функция	Само за отопление	За отопление и БГВ	OFF: E***-MED ON : E***-M2/6/9*D				
	SW1-7 Вид на външното тяло	Сплит	Моноблок системи	OFF: С изключение EHPX-*M**D ON : EHPX-*M**D				
	SW1-8 Безжично дистанционно радиоуправление	БЕЗ безжично дистанционно управление	С безжично дистанционно управление	OFF				
SW2	SW2-1 Вход стаен термостат 1 (IN1) обръщане на логическата схема	Стоп работа Отоплителен кръг 1 при термостат на позиция „затворено“	Стоп работа Отоплителен кръг 1 при термостат на позиция „отворено“	OFF				
	SW2-2 Вход датчик поток 1 (IN2) обръщане на логическата схема	Разпознаване на грешки при позиция „затворено“	Разпознаване на грешки при позиция „отворено“	OFF				
	SW2-3 Ограничаване на мощността електронагревателен прът	Неактивно	Активно	OFF: С изключение E***-VM2D ON : E***-VM2D				
	SW2-4 Охладителен режим	Неактивно	Активно	OFF: С изключение ERS-*M**D ON : ERS-*M**D				
	SW2-5 Автоматично превключване към втори отоплителен уред (в случай че външното тяло не работи поради неизправност)	Неактивно	Активно *2	OFF				
	SW2-6 Буферен съд	БЕЗ буферен съд	С буферен съд	OFF				
	SW2-7 Температурно регулиране 2 отоплителни кръга	Неактивно	Активно *6	OFF				
	SW2-8 Сензор за поток	БЕЗ сензор за поток	СЪС сензор за поток	ON				
SW3	SW3-1 Вход стаен термостат 2 (IN6) обръщане на логическата схема	Стоп работа отоплителен кръг 2 при термостат на позиция „затворено“	Стоп работа отоплителен кръг 2 при термостат на позиция „отворено“	OFF				
	SW3-2 Вход датчик поток 2 и 3 обръщане на логическата схема	Разпознаване на грешки при позиция „затворено“	Разпознаване на грешки при позиция „отворено“	OFF				
	SW3-3 —	—	—	OFF				
	SW3-4 Електромер	БЕЗ електромер	С електромер	OFF				
	SW3-5 Функция Отоплителен режим *3	Неактивно	Активно	ON				
	SW3-6 2-пътен вентил, регулиране на ВКЛ./ИЗКЛ.	Неактивно	Активно	OFF				
	SW3-7 Топлообменник за БГВ	Гладкотръбен топлообменник в бойлера	Външна плоча HEX	OFF				
	SW3-8 Топломер	БЕЗ топломер	С топломер	OFF				
SW4	SW4-1 Управление на няколко външни тела	Неактивно	Активно	OFF				
	SW4-2 Положение на управлението на няколко външни тела *7	Slave	Master	OFF				
	SW4-3 —	—	—	OFF				
	SW4-4 Самостоятелен режим на работа на вътрешното тяло (по време на монтажа) *4	Неактивно	Активно	OFF				
	SW4-5 Аварийен режим (работи само нагревателният прът)	Нормален	Аварийен режим (работи само отоплението)	OFF *5				
	SW4-6 Аварийен режим (режим Котел)	Нормален	Аварийен режим (режим Котел)	OFF *5				
SW5	SW5-1 —	—	—	OFF				
	SW5-2 Разширена автоадаптация	Неактивно	Активно	ON				
	SW5-3	Код мощност						
	SW5-4		SW5-3	SW5-4	SW5-5	SW5-6	SW5-7	
	SW5-5	E*SC-*M**D	ON	ON	ON	ON	OFF	
	SW5-6	E*SD-*M**D	ON	OFF	OFF	ON	OFF	
	SW5-7	E*SE-*M*ED	OFF	ON	ON	OFF	ON	
	SW5-8	EHPX-*M**D	OFF	OFF	OFF	OFF	OFF	
SW6	SW6-1 —	—	—	OFF				
	SW6-2 —	—	—	OFF				
	SW6-3 Сензор за налягане	Inactif		Fonction activée	OFF: С изключение E*SD-*M**D ON : E*SD-*M**D			
	SW6-4 Аналогов изход	Неактивно		Активно	OFF			
	SW6-5 —	—	—	—	OFF			

<Таблица 5.1.1>

Забележка: *1. В случай че Hydrobox е свързан към външно тяло PUMY-P, чиято максимална изходна температура на водата е 55 °C, DIP SW1-2 трябва да се превключи на OFF.

*2. При настройка на ON външният изход (OUT11) е на разположение. С оглед на безопасността тази функция не е на разположение при определени неизправности. (В такъв случай трябва да се спре експлоатацията на системата и да продължи да работи само помпата на отоплителния кръг.)

*3. Този превключвател функционира само когато Hydrobox е свързан към външно тяло PUHZ-FRP. В случай че е свързано външно тяло от друг тип, функцията Отоплителен режим е активна, независимо от това дали превключвателят е на ON или OFF.

*4. Отоплителен режим и режим БГВ могат да се осъществяват само във вътрешното тяло като електронагревател (вж. раздел „5.4 Самостоятелен режим на работа на вътрешното тяло“.)

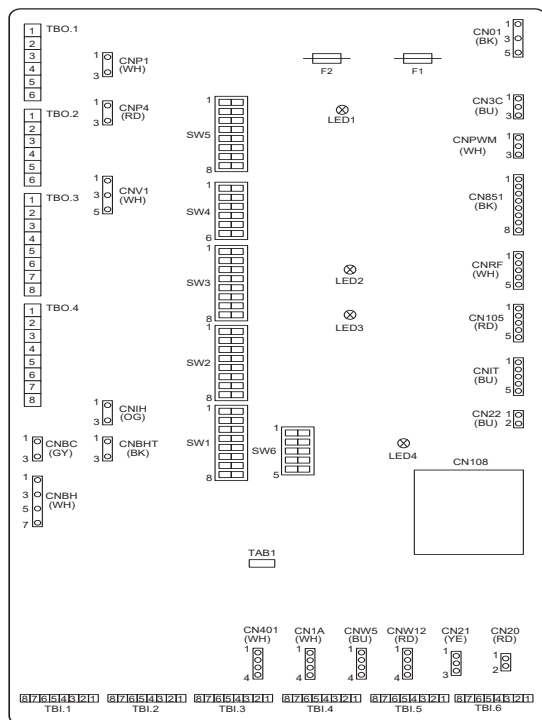
*5. В случай че аварийният режим вече не е необходим, върнете превключвателя на положение OFF.

*6. Активно само при SW3-6 на OFF.

*7. Активно само при SW4-1 на ON.

5 Настройка на системата

5.2 Свързване на входовете/изходите



<Фигура 5.2.1>

Спецификация на окабеляването и осигуряване на място части

Поз.	Наименование	Модел и спецификации
Функция сигнален вход	Кабел	Използвайте екранирани, обвити с винил проводници или кабели. Макс. 30 м Тип проводник: CV, CVS или еквивалентен Дебелина на проводника: многожилен проводник 0,13 mm ² до 0,52 mm ² , едножилен проводник: $\varnothing 0,4$ mm до $\varnothing 0,8$ mm
	Превключвател	Сигнали контакт без напрежение „а“. Дистанционен превключвател: минимален товар за прилагане 12 V DC, 1 mA

Забележка:

Многожилният проводник трябва да разполага с изолирана клемна релса (изпълнение, съвместимо с DIN 46228-4).

■ Сигнални входове

Наименование	Клеморед	Връзка	Позиция	ИЗКЛ. („отворено“)	ВКЛ. („затворено“)
IN1	TBI.1 7-8	—	Вход стаен термостат 1 *1	Вж. SW2-1 в раздел <5.1 Функции на DIP превключвателите>.	
IN2	TBI.1 5-6	—	Вход датчик поток 1	Вж. SW2-2 в раздел <5.1 Функции на DIP превключвателите>.	
IN3	TBI.1 3-4	—	Вход датчик поток 2 (OK 1)	Вж. SW3-2 в раздел <5.1 Функции на DIP превключвателите>.	
IN4	TBI.1 1-2	—	Вход управление на заявка	Нормален	Източник на отопление ИЗКЛ./Режим Котел *3
IN5	TBI.2 7-8	—	Вход външен термостат *2	Стандартен режим	Режим Нагревателен прът/Режим Котел *3
IN6	TBI.2 5-6	—	Вход стаен термостат 2 *1	Вж. SW3-1 в раздел <5.1 Функции на DIP превключвателите>.	
IN7	TBI.2 3-4	—	Вход датчик поток 3 (OK 2)	Вж. SW3-2 в раздел <5.1 Функции на DIP превключвателите>.	
IN8	TBI.3 7-8	—	Електромер 1		
IN9	TBI.3 5-6	—	Електромер 2	*4	
IN10	TBI.2 1-2	—	Топломер		
IN11	TBI.3 3-4	—	Вход с готовност за интелигентна връзка	*5	
IN12	TBI.3 1-2	—			
INA1	TBI.4 1-3	CN1A	Датчик поток	—	—

*1. Задайте времето на цикъла на ВКЛ./ИЗКЛ. на стайния термостат за 10 минути или повече; в противен случай компресорът може да се повреди.

*2. В случай че за управлението на работата на нагревателите се използва външен термостат, срокът на използване на нагревателите и съответните части може да се съкрати.

*3. За да включите режим Котел, посредством главното управление изберете „Котел“ в прозореца „Настройки външно въвеждане“ на сервисното меню.

*4. Електромери и топломери, които могат да се свързват

- Вид импулс Контакт без напрежение за 12 V DC, отчитане чрез FTC (Пиновете TBI.2 1, TBI.3 5 и 7 имат положително напрежение.)
- Продължителност на импулса Минимална продължителност ON: 40 ms
Минимална продължителност OFF: 100 ms
- Възможна импулсна единица 0,1 импулса/kWh 1 импулса/kWh 10 импулса/kWh
100 импулса/kWh 1000 импулса/kWh

Тези стойности могат да се настроят посредством главното управление. (Вж. Дървовидна структура на менюто в раздел „Главно управление“.)

*5. Относно готовността за интелигентна мрежа вижте ръководството на уеб сайта.

■ Входове температурен датчик

Наименование	Клеморед	Връзка	Поз.	Опционален модел на частта
TH1	—	CN20	Температурен датчик (стайна темп.) (опция)	PAC-SE41TS-E
TH2	—	CN21	Температурен датчик (температура на течния хладилен агент)	—
THW1	—	CNW12 1-2	Температурен датчик (температура на подаващата линия)	—
THW2	—	CNW12 3-4	Температурен датчик (температура на връщащата линия)	—
THW5B	—	CNW5 3-4	Температурен датчик (темп. на водата бойлер за БГВ (опция) *1)	PAC-TH011TK2-E(5 m)/ PAC-TH011TKL2-E(30 m)
THW6	TBI.5 7-8	—	Температурен датчик (OK1 температура на подаващата линия) (опция) *1	PAC-TH011-E
THW7	TBI.5 5-6	—	Температурен датчик (OK1 температура на връщащата линия) (опция) *1	PAC-TH011-E
THW8	TBI.5 3-4	—	Температурен датчик (OK2 температура на подаващата линия) (опция) *1	PAC-TH011-E
THW9	TBI.5 1-2	—	Температурен датчик (OK2 температура на връщащата линия) (опция) *1	PAC-TH011-E
THW10	TBI.6 5-6	—	Температурен датчик (Темп. на водата на буферния съд) (опция) *1	PAC-TH012HT-E(5 m)/ PAC-TH012HTL-E(30 m)
THWB1	TBI.6 7-8	—	Температурен датчик (температура на подаващата линия котел) (опция) *1	PAC-TH012HTL-E(30 m)

Положете проводниците на температурните датчици на известно разстояние до захранването с напрежение и окабеляването на изходите OUT1 до OUT16.

*1. Максималната дължина на проводниците на температурните датчици е 30 м. В случай че проводниците се свързват към съседни клеми, използвайте пръстеновидни кабелни обувки и изолирайте проводниците.

Дължината на опционалните температурни датчици е 5 м. В случай че трябва да снадите и удължите проводниците, трябва да се спазва следното.

- 1) Съединете проводниците чрез запояване.
- 2) За предпазване от прах и вода изолирайте всяка точка на съединяване.

5 Настройка на системата

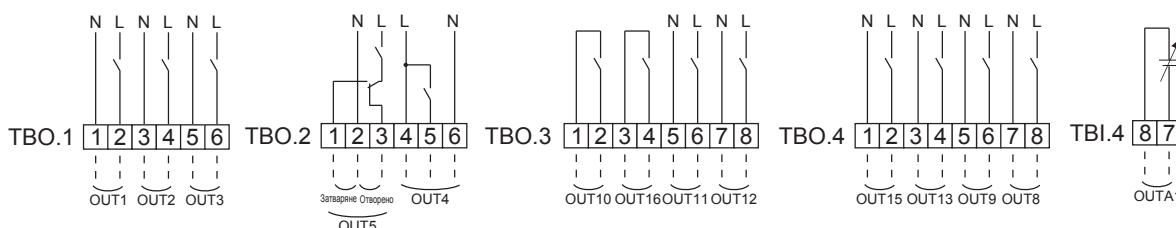
■ Сигнални изходи

Наименование	Клеморед	Връзка	Поз.	OFF	ON	Сигнал/Макс. ток	Макс. сумарен ток
OUT1	TBO.1 1-2	CNP1	Изход помпа на първичния кръг 1 (Отопление на помещенията и БГВ)	OFF	ON	Макс. 230 V AC 1,0 A (Пусков ток макс. 40 A)	4,0 A (a)
OUT2	TBO.1 3-4	—	Изход помпа на отоплителния кръг 2 (Отопление на помещенията за ОК 1)	OFF	ON	Макс. 230 V AC 1,0 A (Пусков ток макс. 40 A)	
OUT3	TBO.1 5-6	—	Изход помпа на отоплителния кръг 3 (Отопление на помещенията за ОК 2) *1 Ausgang 2-Wege-Ventil 2b *2	OFF	ON	Макс. 230 V AC 1,0 A (Пусков ток макс. 40 A)	
OUT14	—	CNP4	Изход помпа на отоплителния кръг 4 (БГВ)	OFF	ON	Макс. 230 V AC 1,0 A (Пусков ток макс. 40 A)	3,0 A (b)
OUT4	TBO.2 4-6 —	CNV1 CN851	Изход 3-пътен вентил (2-пътен вентил 1) Изход 3-пътен вентил	Отопление	БГВ	Макс. 230 V AC 0,1A	
OUT5	TBO.2 1-2 TBO.2 2-3	—	Изход смесителен вентил *1	Стоп	Затваряне Отворено	Макс. 230 V AC 0,1A	3,0 A (b)
OUT6	—	CNBH 1-3	Изход електронагревателен прът 1	OFF	ON	Макс. 230 V AC 0,5 A (реле)	
OUT7	—	CNBH 5-7	Изход електронагревателен прът 2	OFF	ON	Макс. 230 V AC 0,5 A (реле)	
OUT8	TBO.4 7-8	—	Сигнален изход охлаждане	OFF	ON	Макс. 230 V AC 0,5A	
OUT9	TBO.4 5-6	CNIH	Изход електронагревателен елемент (за БГВ)	OFF	ON	Макс. 230 V AC 0,5 A (реле)	
OUT11	TBO.3 5-6	—	Изход съобщение за грешка	Нормален	Грешка	Макс. 230 V AC 0,5A	
OUT12	TBO.3 7-8	—	Сигнал за размразяване	Нормален	Размразяване	Макс. 230 V AC 0,5A	
OUT13	TBO.4 3-4	—	Изход 2-пътен вентил 2a *2	OFF	ON	Макс. 230 V AC 0,1A	—
OUT15	TBO.4 1-2	—	Изход компресор ON сигнал	OFF	ON	Макс. 230 V AC 0,5A	
OUT10	TBO.3 1-2	—	Изход котел	OFF	ON	Контакт без напрежение ·220-240V AC (30V DC) 0,5 A или по-малко ·10 mA 5 V DC или повече	
OUT16	TBO.3 3-4	—	Сигнал термо ВКЛ. за отопление/охлаждане	OFF	ON	Макс. 0-10V DC 5mA	—
OUTA1	TBI.4 7-8	—	Аналогов изход	0 V-10 V		Макс. 0-10V DC 5mA	—

Не свързвайте към клемите, обозначени с „—“ в полето „Клеморед“.

*1 За температурно регулиране 2 отоплителни кръга.

*2 За 2-пътен вентил, регулиране на ВКЛ./ИЗКЛ.

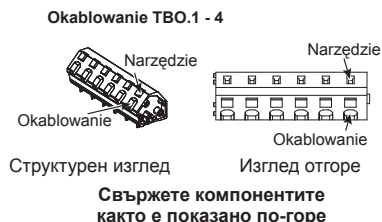


Спецификация на окабеляването и осигуряване на място части

Поз.	Наименование	Модел и спецификации
Сигнален изход	Кабел	Използвайте екранирани, обвити с винил проводници или кабели. Макс. 30 m Тип проводник: CV, CVS или еквивалентен Дебелина на проводника: многожилен проводник 0,25 mm ² до 1,5 mm ² Едножилен проводник: 0,25 mm ² до 1,5 mm ²

Забележка:

- В случай че Hydrobox се захранва с напрежение чрез външното тяло, максималният общ ток е (a)+(b) 3,0 A.
- Не свързвайте няколко помпи на отоплителните кръгове директно към всеки изход (OUT1, OUT2 и OUT3). В такъв случай ги свържете чрез едно или няколко релета.
- Не свързвайте помпи на отоплителните кръгове едновременно към TBO.1 1-2 и CNP1.
- В зависимост от товара на място свържете подходящ отклонител за защита от пренапрежение OUT10 (TBO.3 1-2).
- Многожиленият проводник трябва да разполага с изолирана клемна релса (изпълнение, съвместимо с DIN 46228-4).
- Използвайте същия проводник като кабела за входен сигнал за окабеляването за OUTA1.



<Фигура 5.2.2>

5.3 Окабеляване за температурно регулиране 2 отоплителни кръга.

Свържете тръбопроводите и осигурените на място части съгласно съответната схема на свързване „Отопителна система“, показана в раздел 3 на това ръководство.

<Смесителен вентил>

Свържете сигнален кабел за отваряне на вход А (вход за гореща вода) към TBO. 2-3 (отваряне), сигнален кабел за отваряне на вход В (вход за студена вода) към TBO. 2-1 (затваряне) и неутралния клемна проводник към TBO. 2-2 (N).

<Температурен датчик>

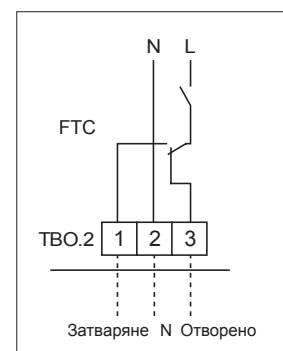
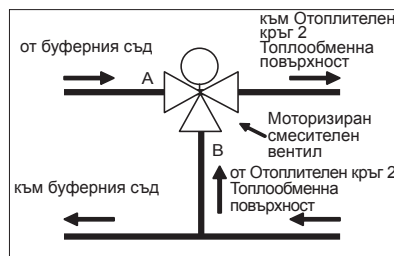
Не монтирайте температурния датчик на буферния съд.

Монтирайте температурния датчик за температура на потока отоплителен кръг 2 (ТНW8) близо до смесителния вентил.

Максималната дължина на окабеляването на температурния датчик е 30 m.

Дължината на опционалните температурни датчици е 5 m. В случай че трябва да снадите и удължите кабелите, трябва да се изпълнят следните точки.

- Съединете проводниците чрез запояване.
- За предпазване от прах и вода изолирайте всяка точка на съединяване.



5 Настройка на системата

5.4 Самостоятелен режим на работа на вътрешното тяло (по време на монтажа)

В случай че преди свързването на външното тяло, т.е. по време на монтажа, е необходим режим на отопление или производство на БГВ, във вътрешното тяло (*1) може да се използва електронагревател.

*1 тип уред само с електронагревател.

1. За започване на режима на работа

- Проверете дали захранването с напрежение на вътрешното тяло е на ИЗКЛ. и поставете DIP превключвателите 4-4 и 4-5 на ON.
- Поставете захранването с напрежение на вътрешното тяло на ВКЛ.

2. За прекратяване на режима на работа *2

- Поставете захранването с напрежение на вътрешното тяло на ИЗКЛ.
- Поставете DIP превключвателите 4-4 и 4-5 на OFF.

*2 В случай че самостоятелният режим на работа на вътрешното тяло се прекрати, проверете настройките след свързване на външното тяло.

Забележка:

Продължителна работа в този режим може да съкрати експлоатационния живот на електронагревателя.

5.5 Използване на SD карта памет

Hydrobox е оборудван с интерфейс за SD карти памет на платката на FTC.

Чрез използване на SD карта памет могат да се улеснят настройките на главното управление и да се съхранят работните протоколи. *1

*1 За обработка на настройките на главното управление или за контролиране на работните данни е необходим сервизен софтуер Ecodan (за използване с персонален компютър).

<Предпазни мерки при работа>

- (1) Използвайте SD карта памет, отговаряща на стандартите SD. Проверете дали SD картата памет носи лого от показаните вдясно.
- (2) Към SD картите памет съгласно стандартите SD спадат картите с надпис SD, SDHC, miniSD, micro SD и microSDHC. Могат да се закупят карти с капацитет на паметта до 32 GB. Изберете карта за максимално допустима температура 55°C.
- (3) В случай че SD картата памет е от типа miniSD, miniSDHC, microSD или micro SDHC, използвайте конвертор адаптер за SD карти памет.
- (4) Отменете защитата срещу презапис, преди да записвате на SD картата памет.



- (5) Изключете системата, преди да поставите или извадите SD карта памет. В случай че се постави или извади SD карта памет при система под напрежение, запазените данни могат да се изгубят или SD картата памет може да се повреди.

* Кратко време след изключването на системата платката е все още под напрежение. Преди поставянето или изваждането изчакайте, докато всички LED лампи на платката на FTC угаснат.

- (6) Процесите на четене и запис са тествани с помощта на следните SD карти памет, при променени спецификации не поемаме гаранция на функционирането.







Производител	Модел	Тестване
Verbatim	#44015	март 2012 г.
SanDisk	SDSDB-002G-B35	окт. 2011 г.
Panasonic	RP-SDP04GE1K	окт. 2011 г.
Arvato	2GB PS8032 TSB 24nm MLC	юни 2012 г.
Arvato	2GB PS8035 TSB A19nm MLC	юли 2014 г.
SanDisk	SDSDUN-008G-G46	окт. 2016 г.
Verbatim	#43961	окт. 2016 г.
Verbatim	#44018	окт. 2016 г.
VANTASTEK	VSDHC08	сеп. 2017 г.

Преди да използвате нова SD карта памет (включително картата, доставена с модула), винаги проверявайте дали SD картата памет може да се чете и записва надеждно от управлението FTC.

<Проверка на четенето и записването>

- а) Проверете правилното свързване на захранването с напрежение на системата. За подробности вж. раздел 4.4.
(Не включвайте системата в този момент.)
- б) Поставете SD карта памет.
- в) Включете захранването с напрежение на системата.
- г) LED4 свети, когато четенето и записването са завършили успешно.
В случай че LED4 продължава да трепти или не свети, SD картата памет не може да се чете или записва от FTC управлението.

- (7) Следвайте инструкциите и предписанията на производителя на SD картата памет.
- (8) Форматирайте SD картата памет, ако е била разпозната като повредена в стъпка (6). Това може да я възстанови.
Свалете програма за форматиране на SD карти от следния уебсайт.
Интернет страница на SD Association: <https://www.sdcard.org/home/>
- (9) FTC поддържа файловата система FAT, но не поддържа файловата система NTFS.
- (10) Фирмата Mitsubishi Electric не може да се държи отговорна за щети, глобални или частични, включително невъзможност за записване върху SD карта памет, както и повреждане или загубване на запазени данни или др. При необходимост копирайте запазените данни.
- (11) Не докосвайте електронни части на платката на FTC, когато поставяте или изваждате SD карта памет, в противен случай платката може да се повреди.

Логота
  
  
Капацитет на паметта
2 GB до 32 GB *2
Скоростни класове SD
Всички

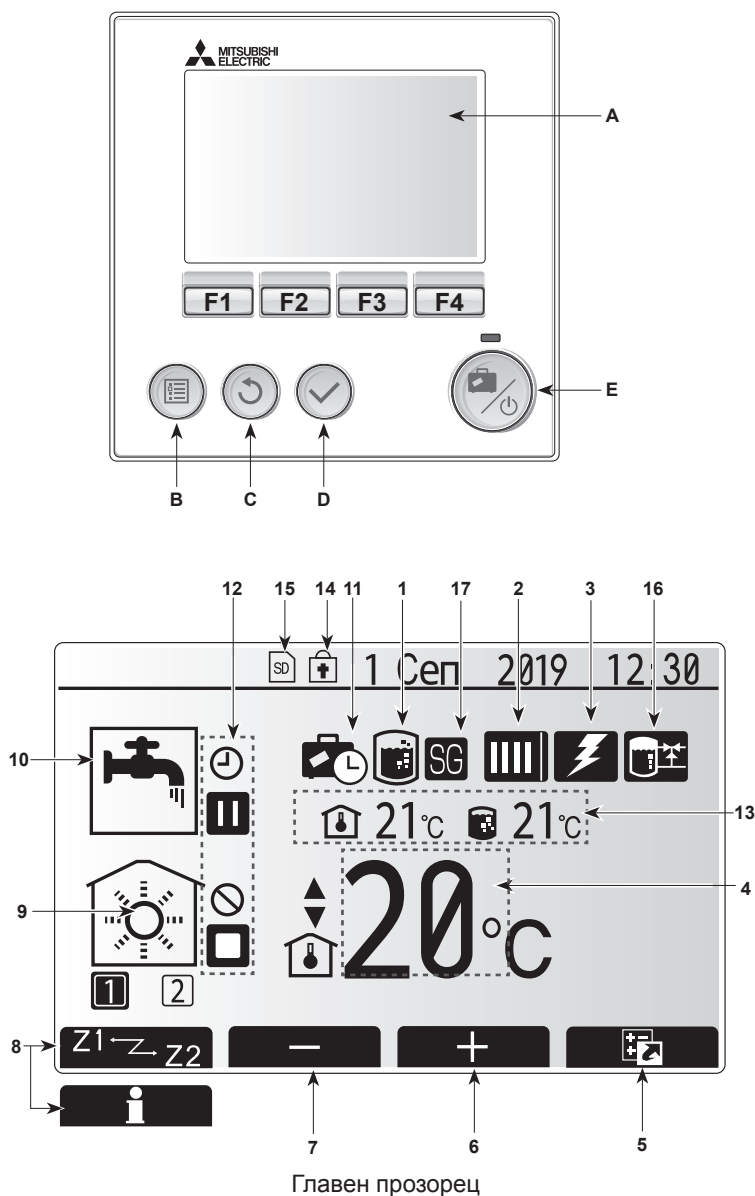
- Логото SD е търговска марка на SD-3C, LLC.
- Логото miniSD е търговска марка на SD-3C, LLC.
- Логото microSD е търговска марка на SD-3C, LLC.

*2 SD карта памет 2 GB разполага с място за запазване на работни протоколи в продължение на до 30 дни.

5 Настройка на системата

5.6 Главно управление

За да промените настройките на своята система за отопление/охлаждане, използвайте главното управление, разположено на предния капак на Cylinder unit или Hydrobox. Следната информация е ръководство за разглеждане на основните настройки. Ако желаете повече информация, свържете се със своя инсталатор или местния търговец на Mitsubishi Electric. Охладителният режим е на разположение само за сериите ERS. Имайте предвид, че охладителният режим не е на разположение, когато вътрешното тяло е свързано към PUHZ-FRP.



<Компоненти на главното управление>

Позиция	Наименование	Функция
A	Дисплей	Прозорец, в който се показва цялата информация.
B	Меню	Достъп до системните настройки при първото пускане в експлоатация и адаптиране.
C	Назад	Връщане към предното меню.
D	Потвърждаване	За избиране или запамятаване. (бутон за въвеждане)
E	Включване/Ваканция	При изключена система с еднократно натискане на бутона системата се включва отново. Повторно натискане при включена система активира режим Ваканция. Когато бутонът се задържи натиснат в продължение на 3 секунди, системата се изключва. (*1)
F1-4	Функционални бутони	За прелистване в менюто и за адаптиране на настройките. Функцията зависи от менюто, показващо се на дисплея A.

*1 Когато системата е изключена или захранването с напрежение е прекъснато, предпазните функции на вътрешното тяло (напр. функция против замръзване) НЕ функционират. Вземете под внимание, че вътрешното тяло може да се повреди, ако не са активирани тези предпазни функции.

<Символи в главното меню>

	Символ	Описание
1	Програма за защита от легионела	Когато се показва този символ, програмата за защита от легионела е активирана.
2	Термопомпата	Нормален режим
		Режим Размразяване
		Аварийен режим
		Тихият режим е активиран.
3	Електронагревател	Когато се показва този символ, „електронагревателите“ (електронагревателен прът или електронагревателен елемент) работят.
4	Целева температура	Зададена температура за подаващата линия
		Зададена стайна температура
		Компенсационна крива
5	ОПЦИЯ	Когато натиснете функционалния бутон под този символ, се показва менюто Бърз преглед.
6	+	Повишаване на желаната температура.
7	-	Понижаване на желаната температура.
8	Z1 Z2	Когато натиснете функционалния бутон под този символ, се превключва между Отоплителен кръг 1 и Отоплителен кръг 2.
	Информация	Когато натиснете функционалния бутон под този символ, се показва информационният екран.
9	Режим отопление/охлаждане на помещения	Отоплителен режим Отоплителен кръг 1 или Отоплителен кръг 2
		Охладителен режим Отоплителен кръг 1 или Отоплителен кръг 2
10	Режим БГВ	Нормален режим или режим ЕКО
11	Режим Ваканция	Когато се показва този символ, режимът Ваканция е активиран.
12	⌚	Времева програма
		Блокиран
		Сървърно управление
		Изчакване
		Изчакване (*2)
		Стоп
		Работа
13	Актуална температура	Актуална стайна температура
		Актуална температура на водата в бойлера за БГВ
14	🔒	Бутонът Меню е блокиран или превключването на работните режими между БГВ и Отопление е деактивирано в прозореца с опции. (*3)
15	SD SD	Поставена е SD карта памет (НЕ за потребителя).
16	Управление на буферния бойлер	Когато се показва този символ, управлението на буферния бойлер е активирано.
17	Готовност за интел. мрежа	Когато се показва този символ, готовността за интел. мрежа е активирана.

*2 Този модул е в режим Изчакване, докато другите вътрешни уреди работят според приоритета.

*3 За блокиране и деблокиране на менюто натиснете едновременно бутоните НАЗАД и ПОТВЪРЖДАВАНЕ в продължение на 3 секунди.

bg

5 Настройка на системата

■ [Съветник за първонач. настр.]

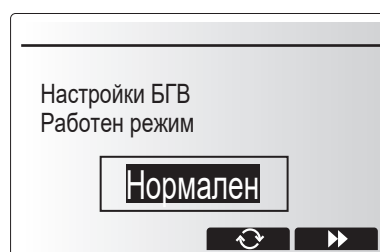
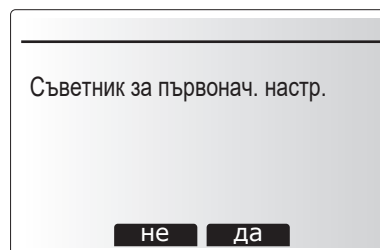
Когато включите главното управление за първи път, екранът автоматично и последователно ще се превключи в екраните Настройка на език, Настройка на дата/ час и екрана с менюта Основни настройки. Въведете желаното число с помощта на функционалните клавиши и натиснете ПОТВЪРЖДАВАНЕ.

Забележка:

<ОГРАНИЧЕНИЕ В МОЩНОСТТА НА НАГРЕВАТЕЛЯ>

Тази настройка ограничава мощността на допълнителния нагревател. НЕ е възможно тази настройка да бъде променяна след стартиране. Ако за вашата държава не са в сила специални изисквания (например строителни регулации), пропуснете тази настройка (изберете „Не“).

- [Гореща вода (БГВ)]
- [Отопление]/[Охлаждане]
- [Работен режим (ВКЛ./Забранен/Таймер)]
- [Скорост на помпа]
- [Обхват на дебита на помпата]
- [Контр.на смесителя]
- [ОГРАНИЧ.МОЩНОСТ.НАГРЕВАТЕЛ]



bg

■ Главно меню

Менюто за главните настройки може да се активира с натискане на бутона МЕНЮ. За да се предотврати промяна на настройките от необучени потребители, са налице две нива на достъп до основните настройки; сервизното меню е защитено с парола.

Ниво Потребител – Кратко натискане

При кратко натискане на бутона МЕНЮ се показват, но не могат да бъдат обработвани основните настройки. Потребителят може да разглежда актуалните настройки, но не може да променя параметрите.

Ниво Инсталатор – Дълго натискане

При натискане на бутона МЕНЮ в продължение на 3 секунди се показват основните настройки с всички налични функции.

Цвятът на бутоните ◀▶ се инвертира (вж. фигурата вдясно). <Фиг. 5.6.1>.

Възможно е или само четене, или четене и обработване (в зависимост от нивото на достъп) на следните настройки.

- [Битова гореща вода (БГВ)]
- [Отопление]/[Охлаждане]
- [Времева програма]
- [Режим Ваканция]
- [Основни настройки]
- [Сервиз (защитен с парола)]



Главно меню



<Фигура 5.6.1>

5 Настройка на системата

<Продължение от предната страница>

<Дървовидна структура на менюто на главното управление>

Исходна точка

Главно меню

Меню

Главно меню



Услуги
Защитен
с парола
<Вж. [Y] раздел>

Ръчно управление
Настр. на функциите
Настр. на термостат

- Иконом. настр. за помпа
 - ВКЛ./ИЗКЛ.
 - Закъснение
- Електр.нагр.ОТОПЛЕНИЕ
 - ВКЛ./ИЗКЛ.
 - Закъснение (електронагревателен прът/електронагревателен елемент)
- Помощни настр.
 - Електр.нагр. БГВ
 - ВКЛ./ИЗКЛ.
 - Закъснение
 - Контр.на смесителя
 - Продължителност на работа
 - Интервал
 - Сензор поток
 - Минимум
 - Максимум
 - Аналогов изход
 - Приор.
 - Интервал

Настр.на топл. източник → Стандарт. (термопомпа и електронагревателен прът/Нагрев. (само електронагревател)/котел/хибрид (термопомпа и нагревателен прът/котел)

Скорост на помпа

Настройки на термопомпата

- Обхват на дебита на помпата
 - Минимум
 - Максимум
- Тих режим

Настр. на режим

- Режим отопление
 - Темп.диапазон на потока
 - Мин. темп.
 - Макс. темп.
 - Управ.на темп.в помещението
 - Режим
 - Интервал
 - Настр.Темп.Разл. ТП
 - ВКЛ./ИЗКЛ.
 - Нисък
 - Висок
- функ.против замр
 - t. поток
 - Околна t.
- Едновр. Работа
 - ВКЛ./ИЗКЛ.
 - Околна t.
- Функция студ.вр. (електронагревателен прът)
 - ВКЛ./ИЗКЛ.
 - Околна t.
- Настр. хибрид
 - Околна t.
 - Приор. → Околна t./Разход/CO2
- Настр. Котел *1
 - Интелигентни настр.
 - Цена енергия
 - Електричество
 - Котел
 - График
 - Електр.
 - Котел
 - CO2 емисии
 - Мощност термопомпа
 - Ефективност котел
 - Мощност допълн.нагревател 1
 - Мощност допълн.нагревател 2
- Готовност за интел. мрежа
 - БГВ
 - ВКЛ./ИЗКЛЮЧ.
 - Отопление
 - Целева темп.
 - ВКЛ./ИЗКЛЮЧ.
 - Охлаждане
 - Целева темп.
 - ВКЛ./ИЗКЛЮЧ.
 - Цикли на помпата
 - Целева темп.
 - ВКЛ./ИЗКЛЮЧ.(Отопление)
 - ВКЛ./ИЗКЛЮЧ.(Охлаждане)
 - Целева темп.
- Функция изсуш.на под (За подробности вж. страница 28.)
 - ВКЛ./ИЗКЛ.
 - Зададена темп
 - Начало&Край
 - Макс. темп.
 - Период макс.темп.
 - Повиш.на темп. на потока
 - Стъпка на Пов.на t на потока
 - Интервал на повишаване
 - Пониж.темп.на потока
 - Стъпка на Пониж.t на потока
 - Интервал на Пониж.t на потока
- Летен режим
 - ВКЛ./ИЗКЛЮЧ.
- Летен режим
 - Температура на околната среда
 - Темп. на околната среда (Отоплението е вкл.)
 - Темп. на околната среда (Отоплението е изкл.)
 - Време за преценка
 - Час(Отоплението е вкл.)
 - Час(Отоплението е изкл.)
 - Принудително отопл.ВКЛЮЧ.
 - Час
- Контрол на водния поток
 - ВКЛ./ИЗКЛЮЧ.

— Неограничен достъп
 - - - Само за инсталатора
 ■ Показаните на фон елементи се отнасят за функциите БГВ.
 Те са на разположение само когато в системата е налице бойлер за БГВ.

□ ○ Дълго натискане

bg

<Продължение на следващата страница>

*1 За подробности вж. ръководството за монтаж на PAC-TH012HT(L)-E.

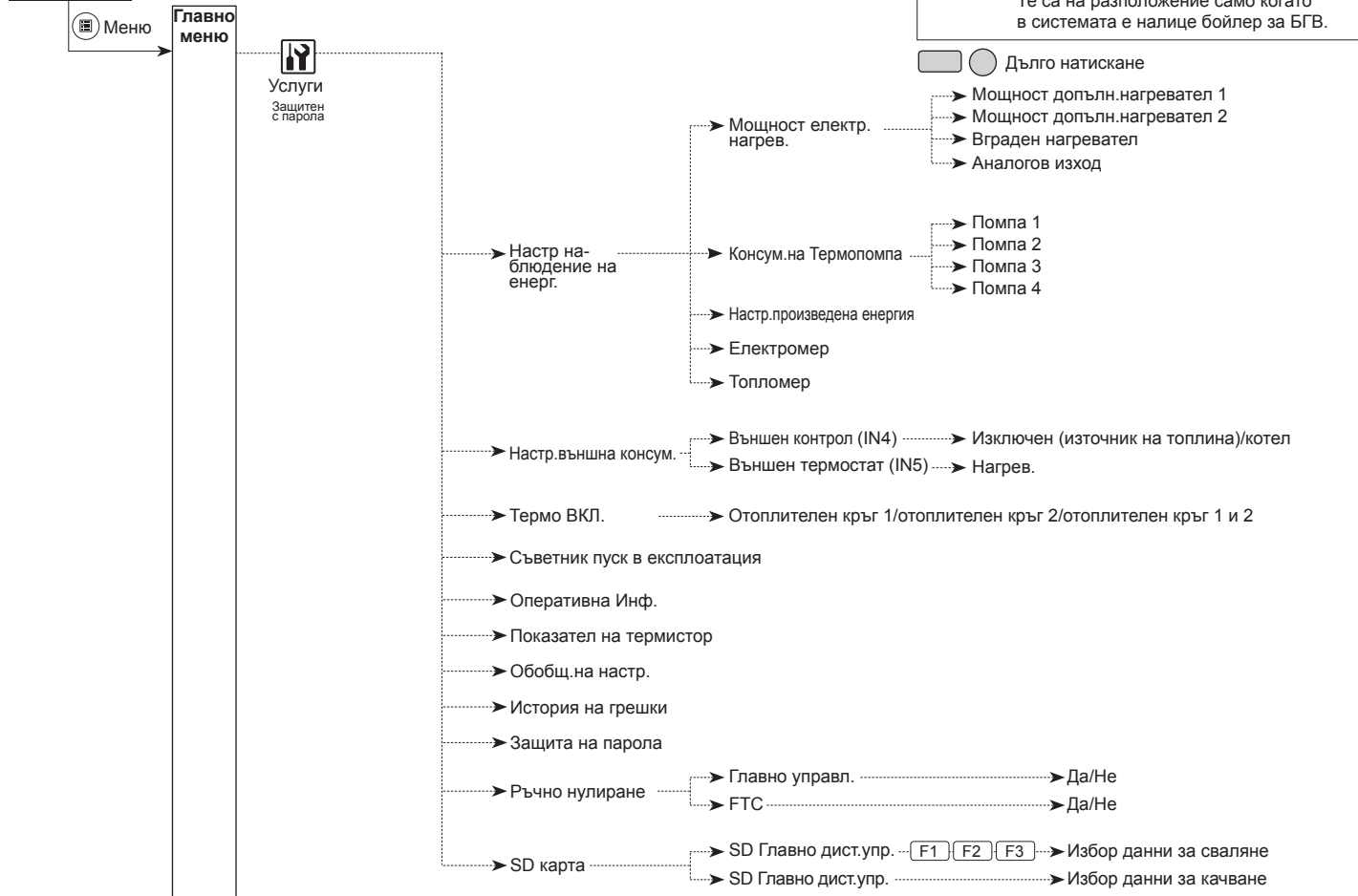
5 Настройка на системата

<Продължение от предната страница>

<Дървовидна структура на менюта на главното управление>

Изходна точка

Главно меню

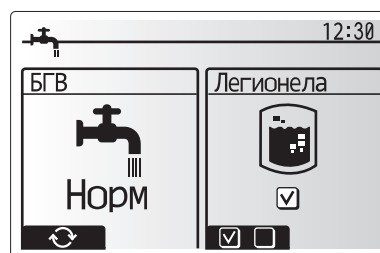


Битова гореща вода/Защита от легионела

Менютата Битова гореща вода и Защита от легионела управляват режима на загряване на бойлера за БГВ.

<Настройки режим БГВ>

1. Активирайте символа за гореща вода и натиснете ПОТВЪРЖДАВАНЕ.
2. С бутона F1 превключете между отоплителните режими Нормален и ЕКО.
3. За обработка на режима задръжте бутона МЕНЮ натиснат в продължение на 3 секунди и след това изберете „Гореща вода“.
4. Натиснете бутона F2, за да се покаже менюто „Настройки гореща вода“.
5. С бутоните F2 и F3 прелистете в менюто и изберете всеки компонент съответно с натискане на ПОТВЪРЖДАВАНЕ. Извършете настройките съгласно описанието в следващата таблица.
6. Чрез функционалните бутони въведете желаната стойност и натиснете ПОТВЪРЖДАВАНЕ.



Точка от менюто	Функция	Диапазон	Модул	Стандартна стойност
Макс. темп. на БГВ	Желана температура на акумулираната гореща вода	40 - 60	°C	50
Понижаване на макс. темп. на БГВ	Разлика между макс. температура на БГВ и температурата, при която режимът БГВ стартира отново	5 - 30 *	°C	10
Макс. вр. на работа БГВ	Максимално разрешено времетраене на загряването на акумулираната вода в режим БГВ	30 - 120	min	60
Ограничаване на режима БГВ	Период от време след режима БГВ, при който отоплението на помещенията има приоритет пред режима БГВ и при който временно се възпрепятства по-нататъшно загряване на акумулираната вода (едва след като е изтекло максималното време за режим БГВ).	30 - 120	min	30

* Когато макс. темп. на БГВ е зададена над 55 °C, температурата, при която режимът БГВ се рестартира, трябва да е по-ниска от 50 °C, за да бъде устройството защитено.

<Еко режим>

Производството на БГВ може да се извършва в режим „Нормален“ или „Еко“. В Нормален режим водата в бойлера за БГВ се загрява по-бързо с пълната мощност на термопомпата. В Еко режим е необходимо по-дълго време за загряване на водата в бойлера за БГВ, но разходът на енергия е по-нисък. Това се дължи на ограничаването на работата на термопомпата с помощта на сигнали от FTC на базата на измерената температура в бойлера за БГВ.

Забележка: Действителното пестене на енергия в Еко режим варира в зависимост от външната температура.

<[БГВ презареждане]>

Изберете количеството БГВ. Ако ви трябва още гореща вода, изберете ГОЛЯМО.

Върнете се обратно в менюто БГВ/Защита от легионела.

bg

5 Настройка на системата

Настройки режим Защита от легионела (режим ЗЛ)

1. С бутон F3 изберете ДА/НЕ според необходимостта от активиране на защита от легионела.
2. За обработка на функцията за защита от легионела задръжте натиснат бутон МЕНЮ в продължение на 3 секунди, изберете „Гореща вода“ и след това натиснете бутон F4.
3. С бутоните F1 и F2 прелистете в менюто и изберете всяка точка от менюто съответно с натискане на ПОТВЪРЖДАВАНЕ. Извършете настройките съгласно описанието в следващата таблица.
4. Чрез функционалните бутони въведете желаната стойност и натиснете ПОТВЪРЖДАВАНЕ.

При режим на защита от легионела температурата на съхраняваната вода се покачва над 60 °C, за да се предотврати растежа на бактерията легионела. Настоятелно се препоръчва това да се извършва на редовни интервали. Колко често трябва да се извършват загревания е посочено в местните наредби.

Моля вземете под внимание, че в режима ЗЛ, подаването на енергия от термопомпата се допълва с помощта на електронагреватели. Загреването на вода за дълги периоди от време не е ефективно и повишава експлоатационните разходи. Инсталаторът трябва да прецени внимателно необходимостта от защита от легионела и избягването на ненужен разход на енергия при загреване на акумулираната вода за дълги периоди от време. Крайният потребител трябва да осъзнава важноста на тази функция.

ВИНАГИ СПАЗВАЙТЕ МЕСТНИТЕ И НАЦИОНАЛНИТЕ РАЗПОРЕДБИ ВЪВ ВАШАТА СТРАНА ПО ОТНОШЕНИЕ НА ЗАЩИТАТА ОТ ЛЕГИОНЕЛА.

Забележка: В случай че се появят неизправности на Hydrobox, е възможно режимът ЗЛ да не функционира правилно.

Точка от менюто	Функция	Диапазон	Модул	Стандартна стойност
Темп. на БГВ	Желана температура на акумулираната гореща вода	60–70	°C	65
Честота	Време между режима АЛ и загреванията на бойлера за БГВ	1–30	Ден	15
Час на старт.	Момент на започване на режима ЗЛ	0:00–23:00	-	03:00
Макс. вр. на работа	Максимално разрешено времетраене на загреването на бойлера за БГВ в режим ЗЛ	1–5	Час	3
Продълж. на макс. темп.	Периодът от време до достигане на желаната температура на водата след режима на защита от легионела	1–120	Минута	30

[Основни настройки]

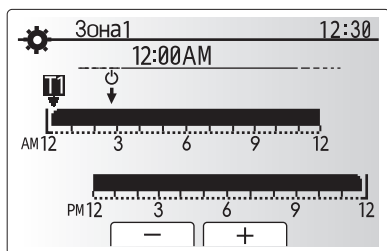
От менюто Основни настройки инсталаторът може да извърши следните настройки:

- [Дата/Час] *Тук непременно настройте местното стандартно време.
- [Език]
- [Лятно време]
- [Показание за температура]
- [Номер за контакт]
- [Показание за време]
- [°C/°F]
- [Настройки стаини сензори]

При настройката постъпете както е описано в раздел „Обща експлоатация“.

<Настройки стаини сензори>

При настройката на стаините сензори е важно да се избере подходящият стаен сензор в зависимост от отоплителния режим, в който трябва да работи системата.



Прозорец за настройка Време/Отоплителен кръг

Точка от менюто	Описание																				
Избор Безжично дистанционно управление отоплителен кръг	В случай че е активно температурното регулиране 2 отоплителни кръга и са на разположение безжични дистанционни управления, в прозореца за избор Отоплителни кръгове изберете номера на отоплителния кръг, който трябва да се разпредели към отделните безжични дистанционни управления.																				
Настройка на сензора	В прозореца за настройки на сензорите изберете стаен сензор, който трябва да се използва отделно за контрол на стаината температура на Отоплителен кръг 1 и Отоплителен кръг 2. <table border="1" data-bbox="938 1227 1460 1601"> <thead> <tr> <th rowspan="2">Вид регулиране (ръководството на уеб сайта)</th> <th colspan="2">Съответни основни настройки на стаините сензори</th> </tr> <tr> <th>Отоплителен кръг 1</th> <th>Отоплителен кръг 2</th> </tr> </thead> <tbody> <tr> <td>A</td> <td>Безжично ДУ 1-8 (по едно за Отоплителен кръг 1 и Отоплителен кръг 2)</td> <td>*1</td> </tr> <tr> <td>B</td> <td>ТН1</td> <td>*1</td> </tr> <tr> <td>C</td> <td>Главно управление</td> <td>*1</td> </tr> <tr> <td>D</td> <td>*1</td> <td>*1</td> </tr> <tr> <td>Когато се използват различни стаини сензори, подходящи за управлението с времевата програма</td> <td>Време/Отоплителен кръг*2</td> <td>*1</td> </tr> </tbody> </table>	Вид регулиране (ръководството на уеб сайта)	Съответни основни настройки на стаините сензори		Отоплителен кръг 1	Отоплителен кръг 2	A	Безжично ДУ 1-8 (по едно за Отоплителен кръг 1 и Отоплителен кръг 2)	*1	B	ТН1	*1	C	Главно управление	*1	D	*1	*1	Когато се използват различни стаини сензори, подходящи за управлението с времевата програма	Време/Отоплителен кръг*2	*1
Вид регулиране (ръководството на уеб сайта)	Съответни основни настройки на стаините сензори																				
	Отоплителен кръг 1	Отоплителен кръг 2																			
A	Безжично ДУ 1-8 (по едно за Отоплителен кръг 1 и Отоплителен кръг 2)	*1																			
B	ТН1	*1																			
C	Главно управление	*1																			
D	*1	*1																			
Когато се използват различни стаини сензори, подходящи за управлението с времевата програма	Време/Отоплителен кръг*2	*1																			
	*1. Не се посочва (когато се използва осигурен на място стаен термостат) Безжично ДУ 1 – 8 (по едно за Отоплителен кръг 1 и Отоплителен кръг 2) (когато безжично дистанционно управление се използва като стаен термостат)																				
	*2. В прозореца за настройки на сензорите изберете „Време/Отоплителен кръг“, за да могат да се изберат различни стаини сензори, подходящи за управлението с времевата програма, настроена в менюто за избор на Време/Отоплителен кръг. Стаините сензори могат да се превключват до четири пъти в рамките на 24 часа.																				

5 Настройка на системата

[Сервизно] меню

Сервизното меню предоставя функции за инсталатора или сервизните техници. НЕ е предвидено потребителят да променя настройки в това меню. По тази причина е необходима защита с парола, за да се предотврати неупълномощен достъп до сервизните настройки.

Предварително настроената от завода-производител парола е „0000“.
При настройката постъпете както е описано в раздел „Обща експлоатация“.

Множество функции не могат да се настройват, докато работи вътрешното тяло. Затова преди настройка на функциите трябва да се изключи вътрешното тяло. В случай че инсталаторът опита да промени тези настройки, докато уредът работи, съобщение на главното управление напомня на инсталатора да прекрати работата на уреда, преди да започне с дейностите си. С избиране на „Да“ работата на уреда се прекратява.

<[Ръчно управление]>

По време на пълнене на системата първичната помпа на отоплителния кръг и 3-пътният вентил могат да се регулират ръчно в режим на ръчно управление.
При избрано ръчно управление в прозореца се появява малък символ за Времева програма. Когато е избрана, тази функция остава в режим на ръчно управление само в продължение на максимум 2 часа. С това се предотвратява трайна пренастройка на FTC по погрешка.

►Пример

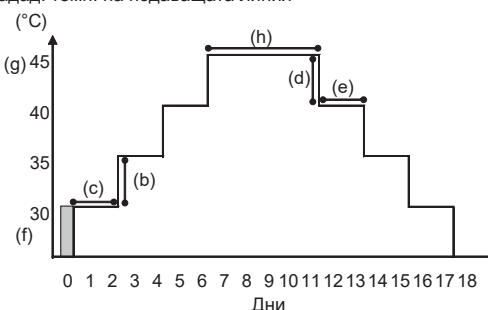
С натискане на бутона F3 се включва ръчно управление на 3-пътния главен вентил. След като бойлерът за БГВ се напълни изцяло, инсталаторът трябва да се върне към това меню и с F3 да деактивира ръчното управление. В противен случай след 2 часа режимът на ръчно управление се деактивира и FTC може да поеме управлението на Hydrobox.



Прозорец с менюто Ръчно управление

Когато системата работи, не могат да се избират Ръчно управление и Настройка на източника на топлина. Появява се прозорец, който подканя инсталатора да спре системата, за да могат да се активират тези режими.
Системата спира автоматично 2 часа след последното въвеждане.

Задад. темп. на подаващата линия



<[Функция Сушене на подова замазка]>

Функцията Сушене на подова замазка променя зададената температура на БГВ на степени за постепенно сушене на подовата замазка, когато е инсталирано подово отопление.
След приключване на работата системата спира всички режими на работа с изключение на Защитата от замръзване.

При функцията Сушене на подова замазка зададената температура на подаващата линия в Отоплителен кръг 1 е същата като в Отоплителен кръг 2.

- Тази функция не е на разположение, когато е свързано външно тяло PUHZ-FRP.
- Разкачете от клемите проводниците към външните входове на стайния термостат, управлението на потреблението и външния термостат, тъй като в противен случай не може да се достигне зададената температура на подаващата линия.

Функции	Символ	Описание	Опция/ Диапазон	Уред	Стандартна настройка
Функция Сушене на подова замазка	a	Поставете функцията на ON и включете системата чрез главното управление; режимът на сушене започва.	Вкл./Изкл.	—	Изкл.
Темп. на подаващата линия (повишаване)	b	Настройва стъпката за повишаване на зададената температура на подаващата линия.	+1 - +10	°C	+5
	c	Настройва периода от време, през който се спазва една и съща зададена температура на подаващата линия.	1 - 7	Ден	2
Темп. на подаващата линия (понижаване)	d	Настройва стъпката за понижаване на зададената температура на подаващата линия.	-1 - -10	°C	-5
	e	Настройва периода от време, през който се спазва една и съща зададена температура на подаващата линия.	1 - 7	Ден	2
Зададена температура	f	Настройва зададената температура на подаващата линия в началото и края на режима.	20 - 60	°C	30
	g	Настройва максималната зададена температура на подаващата линия.	20 - 60	°C	45
	h	Настройва периода от време, през който се спазва максималната зададена температура на подаващата линия.	1 - 20	Ден	5

<[Защита с парола]>

Защита с парола е на разположение за предотвратяване на неупълномощен достъп на необучени лица до сервизното меню.

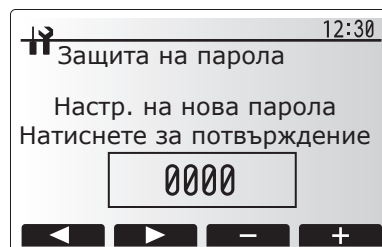
Връщане на паролата в изходно положение

Когато сте забравили въведената от Вас парола или трябва да извършите техническо обслужване на система, която не е инсталирана от Вас, можете да върнете паролата към първоначалната фабрична настройка **0000**.

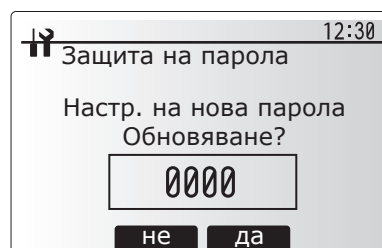
1. Прелистете надолу функциите в менюто с основните настройки, докато се появява сервизното меню.
2. Натиснете ПОТВЪРЖДАВАНЕ.
3. Показва се подканване за въвеждане на паролата.
4. Задръжте едновременно натиснати бутоните F3 и F4 в продължение на 3 секунди.
5. Показва се запитване дали желаете да продължите и да върнете паролата към предварителната настройка.
6. За връщане в изходно положение натиснете бутона F3.
7. Паролата се връща към **0000**.

<[Ръчно връщане в изходно положение]>

В случай че в даден момент искате да възстановите фабричните настройки, трябва да използвате функцията Ръчно връщане в изходно положение. Имайте предвид, че ВСИЧКИ функции ще бъдат върнати към предварителните фабрични настройки.



Прозорец за въвеждане Защита с парола



Прозорец за въвеждане Защита с парола

6 Техническо обслужване и поддържане в изправност

Техническото обслужване на Hydrobox за употреба на закрито трябва да се извършва **един път годишно** от квалифицирано лице. Техническото обслужване и поддържането в изправност на външното тяло трябва да се извършват от обучен от Mitsubishi Electric инсталатор, разполагащ със съответните квалификации и опит. Електрическите работи трябва да се извършват

от специалист с подходящи квалификации в областта на електротехниката. Самостоятелно извършени от неупълномощено лице работи по поддържане в изправност или ремонт могат да доведат до отпадане на гаранцията и/или повреди на Hydrobox и наранявания на извършващото ги лице.

Кодове на грешки

Code	Грешка	Действие
L3	Защита от прегряване отоплителен кръг	Скоростта на потока може да е намаляла. Проверете за <ul style="list-style-type: none"> • теч на вода • задръстване на кран-филтъра • функциониране на помпата на отоплителния кръг (кодът на грешка може да се появи по време на пълнене на първичния кръг; продължете пълненето и изчистете кода на грешка).
L4	Защита от прегряване бойлер за БГВ	Проверете електронагревателния елемент за БГВ и защитния му прекъсвач.
L5	Отказ температурен датчик вътрешно тяло (THW1, THW2, THW5B, THW6, THW7, THW8, THW9)	Проверете съпротивлението на температурните датчици.
L6	Защита от замръзване отоплителен кръг	Вж. действието за L3.
L8	Неизправност в Отоплителен режим	Проверете и свържете температурните датчици, които са се освободили.
L9	Нисък поток в първичния кръг, разпознат от датчика за поток или сензора за поток (датчик поток 1, 2, 3)	Вж. действието за L3. В случай че сензорът за поток или самият датчик за поток не работят, те трябва да се сменят. ПОВИШЕНО ВНИМАНИЕ: Възможно е клапаните на помпата да са горещи, бъдете внимателни.
LA	Отказ на сензора за налягане	Проверете кабела на сензора за налягане за повреда или разхлабени връзки.
LB	Защита от високо налягане	<ul style="list-style-type: none"> • Скоростта на потока на отоплителния кръг може да е намаляла. • Проверете водния кръг. • Пластинчатият топлообменник може да е блокирал. Проверете пластинчатия топлообменник. • Отказ на външното тяло. Вж. ръководството за сервис на външното тяло.
LC	Защита от прегряване кръг на котела	Проверете дали настроената температура на котела за отопление превишава граничната стойност. (Вж. ръководството за температурния датчик „PAC-TH012HT-E“) Скоростта на потока на отоплителния кръг от котела може да е намаляла. Проверете за <ul style="list-style-type: none"> • теч на вода • задръстване на кран-филтъра • функциониране на помпите на отоплителните кръгове.
LD	Отказ температурен датчик котел (THWB1)	Проверете съпротивлението на температурните датчици.
LE	Неизправност в работата на котела	Вж. действието за L8. Проверете състоянието на котела.
LF	Отказ сензор за поток	Проверете кабела на сензора за поток за повреда респ. дали не е разхлабена връзката.
LH	Защита от замръзване кръг на котела	Скоростта на потока на отоплителния кръг от котела може да е намаляла. Проверете за <ul style="list-style-type: none"> • теч на вода • задръстване на кран-филтъра • функциониране на помпите на отоплителните кръгове.
LJ	Неизправност в режима БГВ (тип външна платка HEX)	<ul style="list-style-type: none"> • Проверете свързването на долния температурен датчик за водата на бойлера за БГВ (THW5B). • Скоростта на потока на санитарния кръг може да е намаляла. • Проверете функционирането на помпите на отоплителните кръгове. (първичен/санитарен)
LL	Неправилна настройка на DIP превключвателите на платката на FTC	При режим Котел проверете дали DIP SW1-1 е на ON (с котел) и DIP SW2-6 е на ON (с буферен съд). При температурно регулиране 2 отоплителни кръга проверете дали DIP SW2-7 е на ON (режим 2 ОК) и DIP SW2-6 е на ON (с буферен съд).
LP	Извън диапазона на водния дебит за външното тяло на термопомпата	Проверете монтажа – таблица 4.3.1 Проверете настройките на главното управление (сервизно меню/обхват на дебита на помпата) Вж. действието за L3.
P1	Температурен датчик (стаянa темп.) (TH1) отказ	Проверете съпротивлението на температурния датчик.
P2	Температурен датчик (темп. на течността) (TH2) отказ	Проверете съпротивлението на температурния датчик.
P6	Защита от замръзване на пластинчатия топлообменник	Вж. действието за L3. Проверете количеството хладилен агент.
J0	Комуникацията между FTC и безжичния приемник е нарушена	Проверете свързващия кабел за повреда респ. дали не е разхлабена връзката.
J1 - J8	Комуникацията между безжичния приемник и безжичното дистанционно управление е нарушена.	Проверете дали батерията на безжичното дистанционно управление е изтощена. Проверете взаимодействието между безжичния приемник и безжичното дистанционно управление. Проверете безжичната комуникация. (Вж. ръководството на безжичната система)
E0 - E5	Комуникацията между главното управление и FTC е нарушена	Проверете свързващия кабел за повреда респ. дали не е разхлабена връзката.
E6 - EF	Комуникацията между FTC и външното тяло е нарушена	Проверете дали външното тяло е изключено. Проверете свързващия кабел за повреда респ. дали не е разхлабена връзката. Вж. ръководството за сервис на външното тяло.
E9	Външното тяло не приема сигнал от вътрешното тяло.	Проверете дали двата уреда са включени. Проверете свързващия кабел за повреда респ. дали не е разхлабена връзката. Вж. ръководството за сервис на външното тяло.
EE	Грешка в комбинацията между FTC и външното тяло	Проверете комбинацията на FTC и външното тяло.
U*, F*	Отказ на външното тяло	Вж. ръководството за сервис на външното тяло.
A*	Грешка в M-NET комуникацията	Вж. ръководството за сервис на външното тяло.

Забележка: За изчистване на кодовете на грешка изключете системата (натиснете бутона F4 (RESET) на главното управление).

6 Техническо обслужване и поддържане в изправност

Годишно техническо обслужване

Техническото обслужване на Hydrobox трябва да се извършва минимум един път годишно от специалист, притежаващ съответните квалификации. Всички необходими части ТРЯБВА да се закупуват от Mitsubishi Electric (с оглед на безопасността).

НИКОГА не изключвайте предпазни приспособления и не използвайте уреда, ако тези съоръжения не функционират пълноценно.

Забележка

- В първите месеци след монтажа свалете и почистете кран-филтъра на Hydrobox и евентуално други филтри, които са монтирани извън Hydrobox. Това е особено важно при монтажни работи в стара/съществуваща тръбопроводна система.
- Предпазният клапан за повишено налягане (№ 11 на фигура 3.3 и 3.4) трябва да се проверява всяка година, като ръчно се завърти копчето, за да се източи съдържанието, както и да се почисти седлото на уплътнението.

Допълнително към ежегодните работи по техническото обслужване е необходимо – след определен срок на експлоатация на системата – да се сменят или инспектират някои компоненти/износващи се части. За подробни указания вж. следващите таблици. Смяна и инспекция на части трябва винаги да се извършват от компетентно и подходящо обучено и квалифицирано лице.

Елементи, които трябва периодично да се сменят

Елемент	Смяна на всеки	Възможни неизправности
Предпазен клапан за повишено налягане (3 bar) Обезвъздушител (автом./ръчен) Манометър	6 години	Теч

Елементи, които трябва периодично да се инспектират

Елемент	За проверка на всеки	Възможни неизправности
Предпазен клапан за повишено налягане (3 bar) Предпазен клапан по температура и налягане	1 година (завъртане на копчето ръчно)	Предпазният клапан за повишено налягане може да се фиксира, а разширителният съд да избухне
Електронагревателен елемент	2 години	Утечен ток, водещ до задействане на защитния прекъсвач (нагревателният прът е винаги ИЗКЛ.)
Помпа на отоплителния кръг (първичен кръг)	20 000 часа (3 години)	Отказ на помпите на отоплителния кръг

Износващи се части, които НЕ трябва да се използват повторно при техническото обслужване

* Пръстен с кръгло сечение

* Уплътнение

Забележка:

Сменяйте уплътнението на помпата винаги при всяко редовно техническо обслужване (на всеки 20 000 часа работа или на всеки 3 години).

Няма нужда да се проверява предпазния клапан за повишено налягане (5 bar), понеже не е в контакт с вода, освен ако предпазния клапан за повишено налягане 3 bar е повреден.

Формуляри за техниците

В случай че трябва да се променят стандартни настройки, запишете новата настройка в протокола в графа „Настройка на инсталацията“. Това улеснява връщането в изходно положение в по-късен момент, в случай че системата трябва да се използва по друг начин или трябва да се смени платката.

Формуляр на протокола Пускане в експлоатация/Настройки на системата

Прозорец на главното управление		Параметри	Стандартна настройка	Настройка на системата	Забележки		
Основно		Темп. на отопл. на пом. отоплителен кръг 1	10°C - 30°C	20°C			
		Темп. на отопл. на пом. отоплителен кръг 2 *14	10°C - 30°C	20°C			
		Темп. на отопл. поток отоплителен кръг 1	20°C - 60°C	45°C			
		Темп. на отопл. поток отоплителен кръг 2 *1	20°C - 60°C	35°C			
		Темп. на охл. поток отоплителен кръг 1 *12	5°C - 25°C	15°C			
		Темп. на охл. поток отоплителен кръг 2 *12	5°C - 25°C	20°C			
		Компенсационна крива отопление отоплителен кръг 1	-9°C - + 9°C	0°C			
		Компенсационна крива отопление отоплителен кръг 2 *1	-9°C - + 9°C	0°C			
		Ваканционен режим	Активен/Неактивен/Настроено време	—			
		Опция		Приоритет режим БГВ	Вкл./Изкл.	—	
БГВ	Вкл./Изкл./Времева програма			Вкл.			
Отопление/Охлаждане	Вкл./Изкл./Времева програма			Вкл.			
Енергиен мониторинг	Консумирана електрическа енергия/Произведена енергия			—			
Настройка	БГВ *13	Режим на работа	Нормален/Еко *16	Нормален			
		БГВ макс. темп.	40°C - 60°C *2	50°C			
		Понижаване на темп. на БГВ	5°C - 30°C	10°C			
		БГВ макс. време на работа	30 - 120 минути	60 минути			
		БГВ макс. огр. на режима	30 - 120 минути	30 минути			
		БГВ презареждане	Голям/стандартен	Голям *19			
		Програма за защита от легионела *13		Активно	Да/Не	Да	
				Темп. на гореща вода	60°C - 70°C *2	65°C	
				Честота	1 - 30 дни	15 дни	
				Час на старт.	00:00 - 23:00	03:00	
Макс. вр. на работа	1 - 5 часа			3 часа			
Продълж. на макс. темп.	1 - 120 минути			30 минути			
Отопление/охлаждане *12		Работен режим отоплителен кръг 1	Темп. на отопл. на пом./ темп. на отопл. поток/ компенсационна крива на отопл./темп. на охл. поток	Стайна темп.			
		Работен режим отоплителен кръг 2 *1	Темп. на отопл. на пом./ темп. на отопл. поток/ компенсационна крива на отопл./темп. на охл. поток	Компенсационна крива на отопл.			
Компенсационна крива	Температура на потока горна зададена стойност	Външна околна темп. отоплителен кръг 1	-30°C - +33°C *3	-15°C			
		Темп. на потока отоплителен кръг 1	20°C - 60°C	50°C			
		Външна околна температура отоплителен кръг 2 *1	-30°C - +33°C *3	-15°C			
		Темп. на потока отоплителен кръг 2 *1	20°C - 60°C	40°C			
		Външна околна темп. отоплителен кръг 1	-28°C - +35°C *4	35°C			
	Температура на потока долна зададена стойност	Темп. на потока отоплителен кръг 1	20°C - 60°C	25°C			
		Външна околна температура отоплителен кръг 2 *1	-28°C - +35°C *4	35°C			
		Темп. на потока отоплителен кръг 2 *1	20°C - 60°C	25°C			
		Адаптиране	Външна околна темп. отоплителен кръг 1	-29°C - +34°C *5	—		
			Темп. на потока отоплителен кръг 1	20°C - 60°C	—		
Външна околна температура отоплителен кръг 2 *1	-29°C - +34°C *5		—				
Темп. на потока отоплителен кръг 2 *1	20°C - 60°C	—					
Ваканция		БГВ *13	Активно/Неактивно	Неактивен			
		Отопление/охлаждане *12	Активно/Неактивно	Активно			
		Темп. на отопл. на пом. отоплителен кръг 1	10°C - 30°C	15°C			
		Темп. на отопл. на пом. отоплителен кръг 2 *14	10°C - 30°C	15°C			
		Темп. на отопл. поток отоплителен кръг 1	20°C - 60°C	35°C			
		Темп. на отопл. поток отоплителен кръг 2 *1	20°C - 60°C	25°C			
		Темп. на охл. поток отоплителен кръг 1 *12	5°C - 25°C	25°C			
		Темп. на охл. поток отоплителен кръг 2 *12	5°C - 25°C	25°C			

(Продължение на следващата страница.)

■ Формуляри за техниците

Формуляр на протокола Пускане в експлоатация/Настройки на системата

Прозорец на главното управление			Параметри	Стандартна настройка	Настройка на системата	Забележки		
Настройка	Първонач. настр.	Език	EN/FR/DE/SV/ES/IT/DA/NL/FI/NO/PT/BG/PL/CZ/RU/TR/SL	EN				
		°C/°F	°C/°F	°C				
		Лятно време	Вкл./Изкл.	Изкл.				
		Дисплей темп.	Пом./Бойлер/Пом. и бойлер/Изкл.	Изкл.				
		Диспл. час	hh:mm/hh:mm AM/AM hh:mm	hh:mm				
		Настройка стаен сензор за отоплителен кръг 1	ТН1/Главно ДУ/Пом. ДУ1-8/„Време/Отопл.кръг“	ТН1				
		Настройка стаен сензор за отоплителен кръг 2 *1	ТН1/Главно ДУ/Пом. ДУ1-8/„Време/Отопл.кръг“	ТН1				
		Дистанционно управление за помещението избор отоплителен кръг *1	Отоплителен кръг 1/Отоплителен кръг 2	Отоплителен кръг 1				
Сервизно меню	Настр. на термостат	ТНW1	-10°C - +10°C	0°C				
		ТНW2	-10°C - +10°C	0°C				
		ТНW5B	-10°C - +10°C	0°C				
		ТНW6	-10°C - +10°C	0°C				
		ТНW7	-10°C - +10°C	0°C				
		ТНW8	-10°C - +10°C	0°C				
		ТНW9	-10°C - +10°C	0°C				
		ТНW10	-10°C - +10°C	0°C				
		ТНWB1	-10°C - +10°C	0°C				
		Помощни настр.	Иконом. настр. за помпа	Вкл./Изкл.*6	Закъснение (3 - 60 минути)	10 минути		
	Електронагревател (Отоплителен режим)		Отопление на помещенията: Вкл. (използва се)/ Изкл. (не се използва)	Включване със закъснение електронагревател (5 - 180 минути)	30 минути			
	Електронагревател (БГВ) *13		Електронагревател прът	БГВ: Вкл. (използва се)/Изкл. (не се използва)		Вкл.		
			Електронагревател елемент	БГВ: Вкл. (използва се)/Изкл. (не се използва)		Вкл.		
	Контр. на смесителя		Продължителност на работа (10 - 240 секунди)	Интервал (1 - 30 минути)	15 минути	120 секунди		
	Сензор за поток *18		Минимум (0 - 100L/min)	Максимум (0 - 100L/min)	5 L/min	100 L/min		
			Интервал (1 - 30 минути)	Приор. (нормален/висок)	5 минути	Нормален		
	Скорост на помпата		БГВ	Скорост на помпата (1 - 5)	5			
			Отопление/охлаждане	Скорост на помпата (1 - 5)	5			
	Настр.на топл.източник			Стандартна/Нагревателен прът/Котел/Хибрид *7	Стандартна			
	Настройки на термопомпата	Обхват на дебита на помпата	Минимум (0 - 100 L/min)	Максимум (0 - 100 L/min)	5 L/min	100 L/min		
Ден (пон - нед)			Час	—	0:00 - 23:45			
Тих режим		Ниво на тишина (нормално/ниво 1/ниво 2)		Нормален				
Настр. на режим	Режим отопление *8	Темп.диапазон на потока *10	Мин. темп. (20 - 45°C) Макс. темп. (35 - 60°C)	30°C 50°C				
		Управ.на темп.в помещението *15	Режим (Нормален/Силен) Интервал (10 - 60 минути)	Нормален 10 минути				
		Настройка термопомпа диф. температура	Вкл./Изкл.*6	Долна граница (-9 - -1°C) Горна граница (+3 - +5°C)	Вкл. -5°C 5°C			
			Външна околна темп. (3 - 20°C)/ **	5°C				
	Симултанен режим (БГВ/Отопление)	Вкл./Изкл.*6	Външна околна темп. (-30 - +10°C) *3	Изкл. -15°C				
	Функция студ.вр.	Вкл./Изкл.*6	Външна околна темп. (-30 - -10°C) *3	Изкл. -15°C				
		Външна околна темп. (-30 - +10°C) *3	Външна околна темп. (-30 - +10°C) *3	-15°C				
	Режим „Котел“	Настр. хибрид	Приор. режим (Околна темп./разход/CO ₂) *17	Покачване на външната околна температура (+1 - +5°C)	Външна темп. +3°C			
			Интелигентни настройки	Цена енергия *9	Електричество (0,001 - 999 *kWh) Котел (0,001 - 999 *kWh)	0,5 *kWh 0,5 *kWh		
		CO ₂ емисии		Електричество (0,001 - 999 kg -CO ₂ /kWh) Котел (0,001 - 999 kg -CO ₂ /kWh)	0,5 kg -CO ₂ / kWh 0,5 kg -CO ₂ / kWh			
Топл. източник				Мощност термопомпа (1 - 40 kW)	11,2 kW			
		Коефициент на ефективност на котела (25 - 150%)		80%				
Мощност допълн. нагревател 1 (0 - 30 kW)		2 kW						
Мощност допълн. нагревател 2 (0 - 30 kW)	4 kW							

6 Техническо обслужване и поддържане в изправност

■ Формуляри за техниците

Формуляр на протокола Пускане в експлоатация/Настройки на системата (продължение от предната страница)

Прозорец на главното управление				Параметри		Стандарт-на настройка	Настройка на системата	Забележки				
	Сервизно меню	Настр. на режим	Готовност за интел. мрежа	БГВ	Вкл./Изкл.		Изкл.					
					Целева темп. (+1 - +20°C)/-- (не е активен)		--					
				Отопление	Вкл./Изкл.		Изкл.					
					Целева темп.	Препоръка за включване (20 - 60°C)	50°C					
						Команда за включване (20 - 60°C)	55°C					
					Охлаждане	Вкл./Изкл.		Изкл.				
				Целева темп.		Препоръка за включване (5 - 25°C)	15°C					
					Команда за включване (5 - 25°C)		10°C					
				Цикли на помпата	Отопление (Вкл./Изкл.)		Вкл.					
					Охлаждане (Вкл./Изкл.)		Вкл.					
					Интервал (10 - 120 минути)		10 минути					
				Функция Сушене на подова замазка				Вкл./Изкл.*6		Изкл.		
									Целева темп.	Начало и край (20 - 60°C)	30°C	
										Макс. темп. (20 - 60°C)	45°C	
		Продълж. на макс. темп. (1 - 20 дни)	5 дни									
		Температура на потока (увеличаване)	Стъпка повиш. на темп. (+1 - +10°C)						+5°C			
			Увеличаване на интервала (1 - 7 дни)						2 дни			
		Температура на потока (намаляване)	Стъпка пониж. на темп. (-1 - -10°C)						-5°C			
			Намаляване на интервала (1 - 7 дни)						2 дни			
		Летен режим							Вкл./Изкл.		Изкл.	
						Външна окол-на темп.	Отопление ВКЛ. (4 - 19°C)	10°C				
							Отопление ИЗКЛ. (5 - 20°C)	15°C				
						Време за преценка	Отопление ВКЛ. (1 - 48 часа)	6 часа				
							Отопление ИЗКЛ. (1 - 48 часа)	6 часа				
		Принудително отопл. ВКЛ. (-30 - 10°C)		5°C								
		Контрол на водния поток				Вкл./Изкл.		Изкл.				
				Настройки енергиен мониторинг	Мощност електро-нагревател	Мощност допълн. нагревател 1	0 - 30 kW	2 kW				
						Мощност допълн. нагревател 2	0 - 30 kW	4 kW				
						Мощност електронагревателен елемент	0 - 30 kW	0 kW				
						Аналогов изход	0 - 30 kW	0 kW				
					Настр. произведена енергия		-50 - +50%	0%				
		Вход водна помпа					0 - 200 W или *** (предварително монтирана помпа)		***			
							Помпа 2		0 - 200 W	0 W		
							Помпа 3		0 - 200 W	0 W		
							Помпа 4 *19		0 - 200 W	72 W		
		Електромер				0,1/1/10/100/1000 импулса/kWh		1 импулса/kWh				
		Топломер				0,1/1/10/100/1000 импулса/kWh		1 импулса/kWh				
		Настр. външна консум.			Външен контрол (IN4)		Източник на отопление ИЗКЛ./Режим Котел		Режим „Котел“			
					Външен термостат (IN5)		Режим Нагревателен прът/Режим Котел		Режим „Котел“			
		Термо ВКЛ.				Отоплителен кръг 1/Отоплителен кръг 2/Отоплителен кръг 1 и 2		Отоплителен кръг 1 и 2				

*1 Настройките по отношение на отоплителен кръг 2 могат да се превключват само когато е активирано температурно регулиране 2 отоплителни кръга (когато DIP SW 2-6 и SW 2-7 са вкл.).

*2 При типа уреди без електронагревателен прът и електронагревателен елемент – в зависимост от външната температура – е възможно да не се достигне настроената температура.

*3 Долната граница е -15°C в зависимост от свързаното външно тяло.

*4 Долната граница е -13°C в зависимост от свързаното външно тяло.

*5 Долната граница е -14°C в зависимост от свързаното външно тяло.

*6 Вкл.: Функцията е активна; Изкл.: Функцията не е активна.

*7 В случай че DIP SW1-1 е изкл. „БЕЗ котел“ или SW2-6 е изкл. „БЕЗ буферен съд“, не може да се избира нито котел, нито хибрид.

*8 Важи само при работа в режим на контрол на стайната температура.

*9 ** в „*/kWh“ замества валутната единица (напр. €, £ или др.п.)

*10 Важи само при работа в отоплителен режим стайна температура.

*11 При избиране на звездички (**) функцията против замръзване е деактивирана. (т.е. съществува опасност от замръзване на водата в първичния кръг)

12 Настройките за охладителния режим са на разположение само за модел ERS.

*13 Предлага се само ако има бойлер за БГВ в системата.

*14 Настройките по отношение на отоплителен кръг 2 могат да се превключват само когато е активирано температурно регулиране 2 отоплителни кръга или регулиране на вкл./изкл. с 2 отоплителни кръга.

*15 Когато DIP SW5-2 е изкл., функцията е активна.

*16 Когато съответният Hydbox е свързан с външен уред PUMY-P, режимът се фиксира на „Нормален“.

*17 Когато съответният Hydbox е свързан с външен уред PUMY-P, режимът се фиксира на „Околна температура“.

*18 Не променяйте настройката, защото тя отговаря на спецификацията на монтирания на Hydbox сензор поток.

*19 Тази настройка важи само за уредите Cylinder unit.

bg

1. Zasady bezpieczeństwa.....	2
2. Wprowadzenie	3
3. Informacje techniczne	4
4. Montaż.....	11
4.1 Miejsce ustawienia	11
4.2 Jakość wody i przygotowanie systemu.....	13
4.3 Przewody instalacji wodnej	14
4.4 Podłączenie instalacji elektrycznej	16
5. Konfigurowanie systemu	18
5.1 Funkcje przełączników DIP	18
5.2 Podłączanie wejść/wyjść	19
5.3 Okablowanie regulacji temperatury 2 obiegów grzewczych	20
5.4 Autonomiczna praca jednostki wewnętrznej (podczas montażu).....	21
5.5 Użytkowanie karty pamięci SD	21
5.6 Główny sterownik	22
6. Przeglądy i usuwanie usterek	29

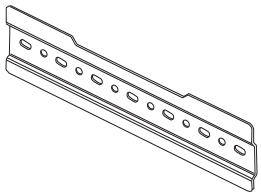
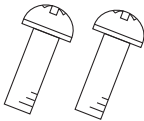
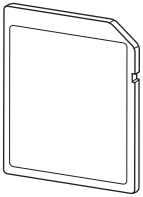
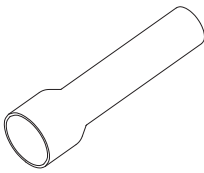


<http://www.mitsubishielectric.com/ldg/ibim/>

Jeżeli potrzebne są dodatkowe informacje, których nie ma w niniejszej instrukcji, należy przejść do powyższej strony internetowej celem pobrania instrukcji, wybrać model urządzenia, a następnie język.

Zawartość podręcznika na stronie internetowej

- Monitoring zużycia energii
- Termostat pokojowy
- Napełnianie systemu
- Prosty system 2-strefowy
- Niezależne źródło zasilania elektrycznego
- Urządzenie przystosowane do inteligentnej sieci gotowej
- Zbiornik CWU dla Moduł wewnętrzny bez wbudowanego zasobnika CWU
- Opcje zdalnego sterownika
- Menu serwisowe (ustawienia specjalne)
- Informacje uzupełniające

Akcesoria (zawarte w zestawie)			
Płyta montażowa	Śruba M5×8	Karta pamięci SD	Rura łączona *
			
1	2	1	1

* Tylko dla urządzeń serii E*SE

Skróty i terminologia

Nr	Skrót lub pojęcie	Opis
1	Tryb charakterystyki cieplnej	Regulacja pogodowa
2	COP	Współczynnik wydajności, stopień sprawności pompy ciepła
3	Tryb chłodzenia	Chłodzenie pomieszczenia za pomocą klimakonwektorów lub chłodzenia podłogowego
4	Tryb CWU	Tryb przygotowanie ciepłej wody użytkowej do kąpieli, mycia naczyń, gotowania itp.
5	Temperatura zasilania	Temperatura zasilania systemu grzewczego
6	Funkcja ochrony przed zamarzaniem	Funkcja ochronna regulatora ogrzewania, która zapobiega zamarznięciu przewodów wodociągowych
7	FTC	Sterownik ogrzewania i pompy ciepła, który reguluje działaniem systemu grzewczego
8	Tryb ogrzewania	Ogrzewanie pomieszczeń za pomocą grzejników lub ogrzewania podłogowego
9	Moduł wewnętrzny bez wbudowanego zasobnika CWU	Jednostka wewnętrzna z elementami hydraulicznymi instalacji (bez zasobnika CWU)
10	Legionella	Bakterie, które mogą występować w przewodach instalacji CWU, prysznicach i zasobnikach wody i powodować chorobę legionistów
11	Tryb AL	Tryb Antylegionella — funkcja przeciwdziałania rozwojowi bakterii Legionella w zbiornikach ciepłej wody użytkowej
12	Monoblok	Płytkowy wymiennik ciepła (czynnik chłodniczy - woda) w jednostce zewnętrznej pompy ciepła
13	zaw. bezpieczeństwa	Zawór bezpieczeństwa
14	Temperatura powrotu	Temperatura powrotu systemu grzewczego
15	Split	Płytkowy wymiennik ciepła (czynnik chłodniczy - woda) w jednostce wewnętrznej pompy ciepła
16	THV	Termostatyczny zawór grzejnikowy

1 Zasady bezpieczeństwa

Należy uważnie przeczytać poniższe zasady bezpieczeństwa.

⚠ OSTRZEŻENIE:

Nieprzestrzeganie tych instrukcji grozi obrażeniami ciała lub śmiercią.





⚠ OSTROŻNIE:

Nieprzestrzeganie tych instrukcji grozi uszkodzeniem urządzenia.

Po montażu niniejszą instrukcję montażu wraz z instrukcją obsługi należy przechowywać przy urządzeniu lub w dostępnym miejscu, aby można było do niej zaglądać. **Mitsubishi Electric nie ponosi odpowiedzialności za awarie części dostarczonych przez użytkownika.**

- System musi być poddawany regularnie przeglądowi.
- Należy przestrzegać obowiązujących przepisów.
- Postępować według zaleceń zawartych w niniejszej instrukcji.

ZNACZENIE SYMBOLI ZNAJDUJĄCYCH SIĘ NA URZĄDZENIU

	OSTRZEŻENIE (Ryzyko pożaru)	To oznaczenie dotyczy wyłącznie czynnika chłodniczego R32. Rodzaj czynnika chłodniczego został podany na tabliczce znamionowej jednostki zewnętrznej. Jeśli zastosowany rodzaj czynnika chłodniczego to R32, urządzenie wykorzystuje łatwopalny czynnik chłodniczy. W razie wycieku i kontaktu czynnika chłodniczego z ogniem lub elementem grzejnym powstanie szkodliwy gaz i wystąpi ryzyko pożaru.
		Przed przystąpieniem do obsługi należy uważnie przeczytać INSTRUKCJĘ OBSŁUGI.
		Personel serwisowy ma obowiązek uważnie przeczytać INSTRUKCJĘ OBSŁUGI i INSTRUKCJĘ MONTAŻU przed przystąpieniem do obsługi.
		Dodatkowe informacje można znaleźć w INSTRUKCJI OBSŁUGI, INSTRUKCJI MONTAŻU itp.

⚠ ⚠ OSTRZEŻENIE

Mechanika

- Użytkownikowi nie wolno samodzielnie montować, rozkładać, przemieszczać, modyfikować ani naprawiać modułu wewnętrznego bez wbudowanego zasobnika CWU oraz jednostki zewnętrznej. Należy to zlecić autoryzowanemu instalatorowi lub technikowi. Niefachowe przeprowadzenie montażu lub modyfikacji może spowodować późniejszy wyciek wody, porażenie prądem elektrycznym lub pożar.
- Jednostka zewnętrzna musi zostać dobrze przymocowana do mocnej i równej powierzchni, która jest w stanie utrzymać jej masę.
- Moduł wewnętrzny bez wbudowanego zasobnika CWU musi zostać zamontowany na mocnej, płaskiej powierzchni, która jest w stanie utrzymać jego masę wraz z zawartością, a także powstrzymać w pewnym stopniu generowanie odgłosów i drgań.
- Pod jednostką zewnętrzną oraz modułem wewnętrznym bez wbudowanego zasobnika CWU nie wolno stawiać żadnych mebli ani urządzeń elektrycznych.
- Wyloty urządzeń zabezpieczających (zaworów bezpieczeństwa) modułu wewnętrznego bez wbudowanego zasobnika CWU muszą zostać wyprowadzone zgodnie z miejscowymi przepisami.
- Stosować wyłącznie części zamienne i akcesoria, które atestowane zostały przez Mitsubishi Electric.

Elektryka

- Wszystkie prace w obrębie instalacji elektrycznej muszą być wykonywane przez wykwalifikowanego instalatora zgodnie z miejscowymi przepisami i zaleceniami zawartymi w niniejszej instrukcji.
- Urządzenia muszą być podłączone do własnego źródła zasilania prawidłowym napięciem i z wykorzystaniem prawidłowego wyłącznika instalacyjnego.
- Okablowanie musi spełniać krajowe normy dotyczące instalacji elektrycznych. Połączenia muszą być wykonane bezpiecznie i przy odłączonym zasilaniu.
- Urządzenie musi być poprawnie uziemione.

Informacje ogólne

- Zarówno moduł wewnętrzny bez wbudowanego zasobnika CWU, jak i jednostka zewnętrzna musi znajdować się poza zasięgiem dzieci i zwierząt domowych.
- Nie spożywać wody grzewczej wytworzonej przez pompę ciepła, ani bezpośrednio, ani poprzez gotowanie w niej. Może ona być szkodliwa dla zdrowia.
- Nie wchodzić na urządzenie.
- Nie dotykać przełączników mokrymi dłońmi.
- Coroczne przeglądy modułu wewnętrznego bez wbudowanego zasobnika CWU i jednostki zewnętrznej muszą być wykonywane przez osobę wykwalifikowaną.
- Nie stawiać żadnych pojemników z cieczą na moduł wewnętrzny bez wbudowanego zasobnika CWU. Gdyby ciecz wyciekła lub wylała się na moduł wewnętrzny bez wbudowanego zasobnika CWU, mogłaby go uszkodzić i/lub spowodować pożar.
- Nie stawiać żadnych ciężkich przedmiotów na moduł wewnętrzny bez wbudowanego zasobnika CWU.
- Podczas montażu, przenoszenia lub przeglądów modułu wewnętrznego bez wbudowanego zasobnika CWU przewody czynnika chłodniczego mogą być wypełniane tylko zalecanym dla pompy ciepła czynnikiem chłodniczym. Nie mieszać go z innym czynnikiem chłodniczym i uważać, aby w przewodach nie pozostało powietrze ani wilgoć. Mieszanka powietrza z czynnikiem chłodniczym może spowodować wytworzenie zbyt wysokiego ciśnienia w przewodach czynnika chłodniczego, co grozi wybuchem i innymi niebezpieczeństwami.
- Używanie innego czynnika chłodniczego niż zalecany do tego systemu prowadzi do awarii mechanicznej, zakłóceń w pracy systemu lub uszkodzenia urządzenia. W najgorszym przypadku może to poważnie obniżyć bezpieczeństwo użytkownika produktu.
- Zadana temperatura zasilania musi być przynajmniej o 2°C niższa od maksymalnej dopuszczalnej temperatury wszystkich stref grzewczych (np. ogrzewania podłogowego), aby strefy te nie zostały podczas grzania uszkodzone przez zbyt gorącą wodę. Zadana temperatura zasilania obiegu grzewczego 2 musi być przynajmniej o 5°C niższa od maksymalnej dopuszczalnej temperatury wszystkich stref grzewczych w obiegu grzewczym 2.
- Nie należy instalować jednostki w miejscach możliwego wycieku, powstawania, przepływu i gromadzenia się gazów palnych. Gromadzenie się gazów palnych wokół jednostki może skutkować pożarem lub wybuchem.
- Nie można stosować środków do przyspieszania procesu odszraniania lub czyszczenia innych niż zalecane przez producenta.
- Urządzenie powinno być przechowywane w pomieszczeniu bez pracującego w sposób ciągły źródła zapłonu (przykładowo: otwartego ognia, pracującego urządzenia gazowego lub pracującego grzejnika elektrycznego).
- Nie dziurawić i nie palić.
- Mieć świadomość, że czynnik chłodniczy może nie mieć zapachu.
- Instalacja rurowa powinna być zabezpieczona przed uszkodzeniami fizycznymi.
- Instalacja rurowa powinna być ograniczona do niezbędnego minimum.
- Należy przestrzegać krajowych przepisów dotyczących gazu.
- Nie wolno zastawiać żadnych wymaganych otworów wentylacyjnych.
- W przypadku lutowania przewodów czynnika chłodniczego nie należy stosować stopów lutowniczych do lutowania niskotemperaturowego.

1 Zasady bezpieczeństwa

OSTROŻNIE

W obiegu pierwotnym stosować przygotowaną wodę, która spełnia miejscowe standardy jakości.

Jednostka zewnętrzna musi zostać zamontowana w wystarczająco przewiewnym miejscu zgodnie ze schematami zawartymi w jej instrukcji montażu.

Moduł wewnętrzny bez wbudowanego zasobnika CWU należy umieścić w pomieszczeniu zamkniętym, aby zminimalizować straty ciepła.

Przewody obiegu pierwotnego między jednostką zewnętrzną a wewnętrzną powinny być jak najkrótsze, aby przeciwdziałać stratom ciepła.

Należy zadbać o odprowadzanie z cokołu wypływających z jednostki zewnętrznej skroplin, aby nie tworzyły się kałuże.

Odpowietrzyć obieg pierwotny i CWU.

Wyciek czynnika chłodniczego grozi uduszeniem. Zapewnić wentylację spełniającą normę EN 378-1.

Zaizolować wszystkie przewody zgodnie z obowiązującymi przepisami. Bezpośrednie dotknięcie odsłoniętego przewodu grozi poparzeniem lub odmrożeniem.

Nie wkładać do ust baterii i małych części, aby ich przypadkiem nie połknąć.

Połknięcie baterii grozi zatruciem i/lub uduszeniem.

Gdyby moduł wewnętrzny bez wbudowanego zasobnika CWU miał nie być używany przez dłuższy czas (lub system miał być wyłączony), wskazane jest opróżnienie systemu.

Należy podjąć środki przeciwdziałające uderzeniom hydraulicznym w sieci grzewczej, jak np. zamontowanie tłumika uderzeń hydraulicznych w obiegu pierwotnym wody zgodnie z zaleceniami producenta.

Aby na węźle cieplnym nie skraplała się woda, wyregulować odpowiednio temperaturę zasilania i na miejscu ustawić dolną granicę temperatury zasilania.

Zasady obchodzenia się z czynnikiem chłodniczym znajdują się w instrukcji montażu jednostki zewnętrznej.

2 Wprowadzenie

Niniejsza instrukcja montażu zawiera przeznaczone dla fachowców informacje mówiące, jak bezpiecznie i skutecznie zamontować i uruchomić moduł wewnętrzny bez wbudowanego zasobnika CWU. Adresatami niniejszej instrukcji są wykwalifikowani instalatorzy i inżynierowie ciepłownictwa i chłodnictwa, którzy odbyli

niezbędne szkolenie produktowe w firmie Mitsubishi Electric i dysponują kwalifikacjami, które uprawniają ich do montażu modułu wewnętrznego instalacji ciepłej wody w danym kraju.

3 Informacje techniczne

Parametry produktu

Oznaczenie urządzenia	EHSD-MED	EHSD-VM2D	EHSD-VM6D	EHSD-YM9D	EHSD-YM9ED	EHSD-TM9D	ERSD-MED	ERSD-VM2D	ERSD-VM6D	EHSC-VM6D	EHSC-VM9D	EHSC-VM9ED	EHSC-TM9D	ERSC-MED	ERSC-VM2D	ERSC-VM9ED	ERSC-TM9D	ERSE-MED	ERSE-VM9ED
Wymiary zewnętrzne jednostki (wysokość x szerokość x głębokość)	800 x 530 x 360 mm																		
Masa (własna)	36 kg	43 kg	44 kg	44 kg	40 kg	44 kg	38 kg	44 kg	40 kg	47 kg	48 kg	43 kg	48 kg	41 kg	48 kg	64 kg	62 kg	62 kg	62 kg
Masa (po napełnieniu)	38 kg	48 kg	49 kg	49 kg	45 kg	49 kg	39 kg	50 kg	42 kg	53 kg	54 kg	50 kg	54 kg	44 kg	54 kg	74 kg	72 kg	72 kg	72 kg
Ilość wody w obwodzie grzewczym w jednostce *1	1,7 kg	5,2 kg	5,2 kg	5,2 kg	5,2 kg	5,2 kg	1,7 kg	5,2 kg	2,6 kg	6,1 kg	6,1 kg	6,1 kg	6,1 kg	2,6 kg	6,1 kg	10,0 kg	10,0 kg	10,0 kg	10,0 kg
Naczynie wzbiorcze (obieg grzewczy)	—	10 L	1 bar	—	—	10 L	—	10 L	—	—	10 L	—	10 L	—	10 L	—	—	—	—
Cisnienie robocze	—	1 bar	—	1 bar	—	1 bar	—	1 bar	—	—	1 bar	—	1 bar	—	1 bar	—	—	—	—
Czujnik temperatury	1 - 80°C																		
Zawór bezpieczeństwa	0,3 MPa (3 bary)																		
Urządzenie zabezpieczające	Minimalny przepływ 5,0 L/min (Więcej informacji o wydajności i toczności można znaleźć w tabeli 4.3.1)																		
Grzałka dogrzewania	—	90°C	—	90°C	—	90°C	—	90°C	—	—	90°C	—	90°C	—	90°C	—	—	—	—
Włókno termiczne (zabezpieczenie przed przegrzaniem grzałki elektrycznej)	—	121°C	—	121°C	—	121°C	—	121°C	—	—	121°C	—	121°C	—	121°C	—	—	—	—
Woda (obieg pierwotny)	G1-A																		
Czynnik chłodniczy (R32/R410A)	6,35 mm																		
Gaz	12,7 mm																		
Temperatura przepływu	20 - 60°C																		
Chłodzenie	5 - 25°C																		
Grzanie	10 - 30°C																		
Chłodzenie pokoju	—																		
Temperatura otoczenia *2	0 - 35°C (≤ 80% wilgotności względnej)																		
Zewnętrzna temperatura	Patrz tabela parametrów jednostki zewnętrznej.																		
Grzanie	*3																		
Chłodzenie	*3																		
Zasilanie elektryczne (faza, napięcie, częstotliwość)	~N, 230 V, 50 Hz																		
Wyłącznik (obejmuje 4 pompy)	10A																		
Dane elektryczne	—	~N, 230 V, 50 Hz	3~ 400 V, 50 Hz	3~ 230 V, 50 Hz	~N, 230 V, 50 Hz	~N, 230 V, 50 Hz	—	~N, 230 V, 50 Hz	—	~N, 230 V, 50 Hz	3~ 400 V, 50 Hz	3~ 230 V, 50 Hz	~N, 230 V, 50 Hz	—	~N, 230 V, 50 Hz	3~ 400 V, 50 Hz	—	—	—
Grzałka dogrzewania	—	2kW	2kW + 4kW	3kW + 6kW	3kW + 6kW	2kW + 4kW	—	2kW	—	2kW	3kW + 6kW	3kW + 6kW	3kW + 6kW	—	2kW	3kW + 6kW	—	—	—
Napięcie prądu	—	9 A	26 A	13 A	13 A	9 A	—	9 A	—	9 A	26 A	23 A	23 A	—	9 A	13 A	—	—	—
Wyłącznik	—	16 A	32 A	16 A	16 A	16 A	—	16 A	—	16 A	32 A	32 A	32 A	—	16 A	16 A	—	—	—
Poziom mocy akustycznej	41 dB(A)																		
	40 dB(A)																		
	45 dB(A)																		

<Tabela 3.1>

*1 Przewody rurowe do naczynia wzbiorczego nie są uwzględnione w tej wartości.

*2 W otoczeniu nie mogą występować temperatury ujemne.

*3 Patrz tabela parametrów jednostki zewnętrznej. (min. 10°C)

Tryb chłodzący nie jest dostępny przy niskiej temperaturze zewnętrznej.

W przypadku korzystania z systemu w trybie chłodzenia przy niskich temperaturach otoczenia (10°C lub mniej), występuje niebezpieczeństwo uszkodzenia płytowego wymiennika ciepła zamarzającą wodą.

Oznaczenie urządzenia	EHPX-YM9ED	EHPX-MED	EHPX-MED	EHPX-MED	EHPX-VM2D	EHPX-VM6D	EHPX-VM9D	EHPX-YM9ED
Wymiary zewnętrzne jednostki (wysokość x szerokość x głębokość)	800 x 530 x 360 mm							
Masa (własna)	63 kg	61 kg	28 kg	35 kg	37 kg	37 kg	37 kg	32 kg
Masa (po napełnieniu)	73 kg	71 kg	29 kg	40 kg	41 kg	41 kg	41 kg	37 kg
Ilość wody w obwodzie grzewczym w jednostce *1	10,0 kg	10,0 kg	1,0 kg	4,5 kg	4,5 kg	4,5 kg	4,5 kg	4,5 kg
Naczynie wzbiorcze (obieg grzewczy)	Pojemność znamionowa Ciśnienie robocze							
Obieg wody (Pierwotny)	Czujnik temperatury Zawór bezpieczeństwa 0,3 MPa (3 bary)							
Urządzenie zabezpieczające	Czujnik przepływu Ręczny reset termostatu Wyłącznik termiczny (zabezpieczenie przed przegrzaniem)							
Grzałka ogrzewania	121°C 90°C							
Przyłącza	Woda (obieg pierwotny) G1-1/2-B G1-A Ciecz 9,52 mm Gaz 25,4 mm (lutowanie)							
Zakres temperatury docelowej	Temperatura przepływu Chłodzenie Grzanie 10 – 30°C Chłodzenie 20 – 60°C							
Dopuszczalne warunki pracy	Temperatura otoczenia *2 0 – 35°C (≤ 80% wilgotności względnej) Zewnętrzna temperatura Patrz tabela parametrów jednostki zewnętrznej Grzanie Chłodzenie Zasilanie elektryczne (faza, napięcie, częstotliwość) Wyłącznik (* przy własnym źródle zasilania)							
Dane elektryczne	Płytki sterująca (obejmuje 4 pompy) 3~400 V, 50 Hz 3kW + 4kW 13 A 16 A 10A ~N, 230 V, 50 Hz ~N, 230 V, 50 Hz 2kW 9 A 16 A 3~400 V, 50 Hz 3~400 V, 50 Hz 3kW + 6kW 13 A 16 A							
Poziom mocy akustycznej	45 dB(A) 40 dB(A)							

<Tabela 3.2>

*1 Przewody rurowe do naczynia wzbiorczego nie są uwzględnione w tej wartości.

*2 W otoczeniu nie mogą występować temperatury ujemne.

*3 Patrz tabela parametrów jednostki zewnętrznej (min. 10°C)

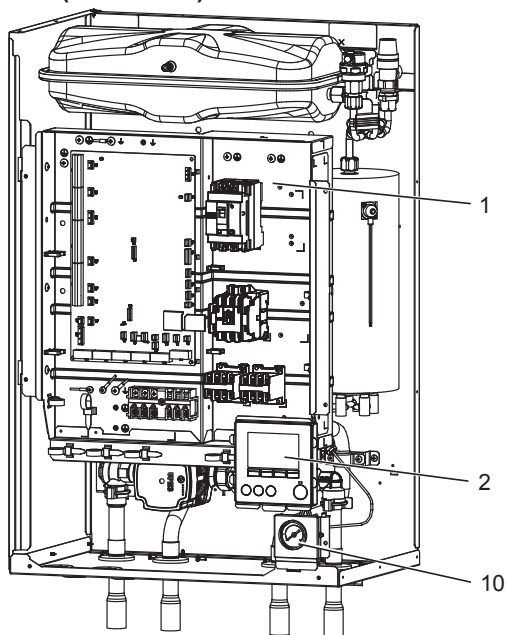
Tryb chłodzący nie jest dostępny przy niskiej temperaturze zewnętrznej.

W przypadku korzystania z systemu w trybie chłodzenia przy niskich temperaturach otoczenia (10°C lub mniej), występuje niebezpieczeństwo uszkodzenia płytowego wymiennika ciepła zamrażającą wodą.

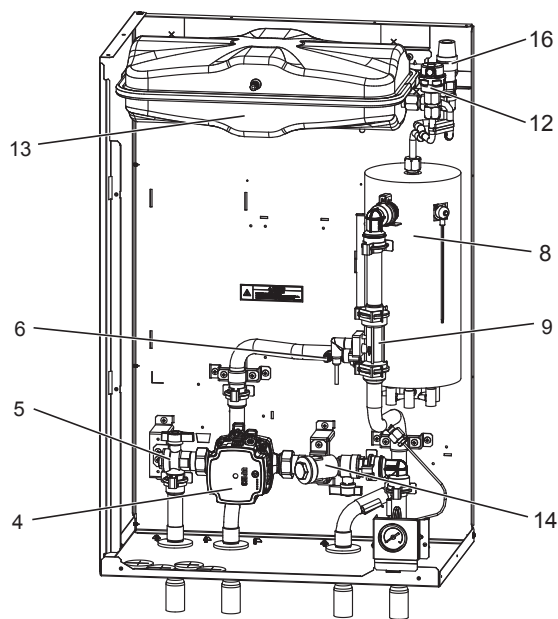
3 Informacje techniczne

■ Elementy składowe

<EHPX-*M*D> (monoblok)

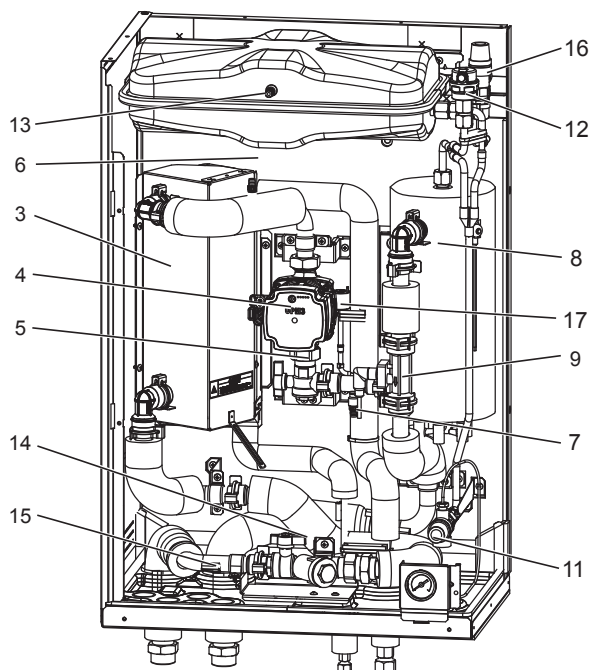


<Rysunek 3.1>



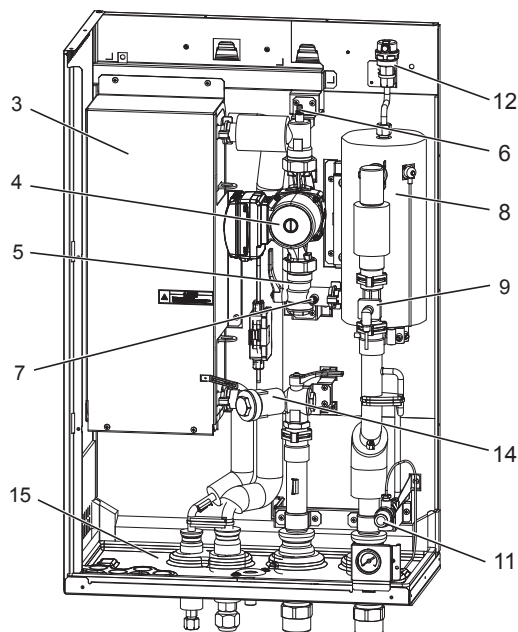
<Rysunek 3.2>

<E*S*-*M**D> (system split)



<Rysunek 3.3>

<E*SE-*M*ED>



<Rysunek 3.4>

Nr	Nazwa części	EHPX-*M*(E)D	EHS*-MED	EHS*-*M*D	EHS*-YM9ED	ERS*-*M*(E)D	ERS*-MED
1	Skrzynka rozdzielcza	✓	✓	✓	✓	✓	✓
2	Główny sterownik	✓	✓	✓	✓	✓	✓
3	Płyty wymiennik ciepła (czynnik chłodniczy - woda)	-	✓	✓	✓	✓	✓
4	Pompa obiegu grzewczego 1	✓	✓	✓	✓	✓	✓
5	Zawór odcinający pompy	✓	✓	✓	✓	✓	✓
6	Odpowietrznik (ręczny)	-	✓	✓	✓	✓	✓
7	Zawór spustowy (obieg pierwotny)	✓	✓	✓	✓	✓	✓
8	Grzałka elektryczna 1, 2	✓	-	✓	✓	✓	-
9	Czujnik przepływu	✓	✓	✓	✓	✓	✓
10	Manometr	✓	✓	✓	✓	✓	✓
11	Zawór nadciśnieniowy (3 bary)	-	✓	✓	✓	✓	✓
12	Odpowietrznik automatyczny	✓	✓	✓	✓	✓	✓
13	Naczynie wzbiorcze	✓*1	-	✓	-	✓*2	-
14	Zawór odcinający odmulacza	✓	✓	✓	✓	✓	✓
15	Miska ociekowa	-	-	-	-	✓	✓
16	Zawór nadciśnieniowy (5 bary)	✓*1	-	✓	-	✓*2	-
17	Czujnik ciśnienia	-	✓*3	✓*3	✓*3	✓*3	✓*3

Wskazówka:

W przypadku instalacji wszystkich modeli E***-*M*ED pamiętać o zainstalowaniu odpowiednich wymiarów naczynia wzbiorczego strony pierwotnej i dodatkowego zaworu bezpieczeństwa celem zapobieżenia rozerwaniu naczynia wzbiorczego na obiekcie. (Dalsze wskazówki, patrz rysunki 3.5–3.6 i punkt 4.3.10)

*1 EHPX-YM9ED i EHPX-MED nie są brane pod uwagę.

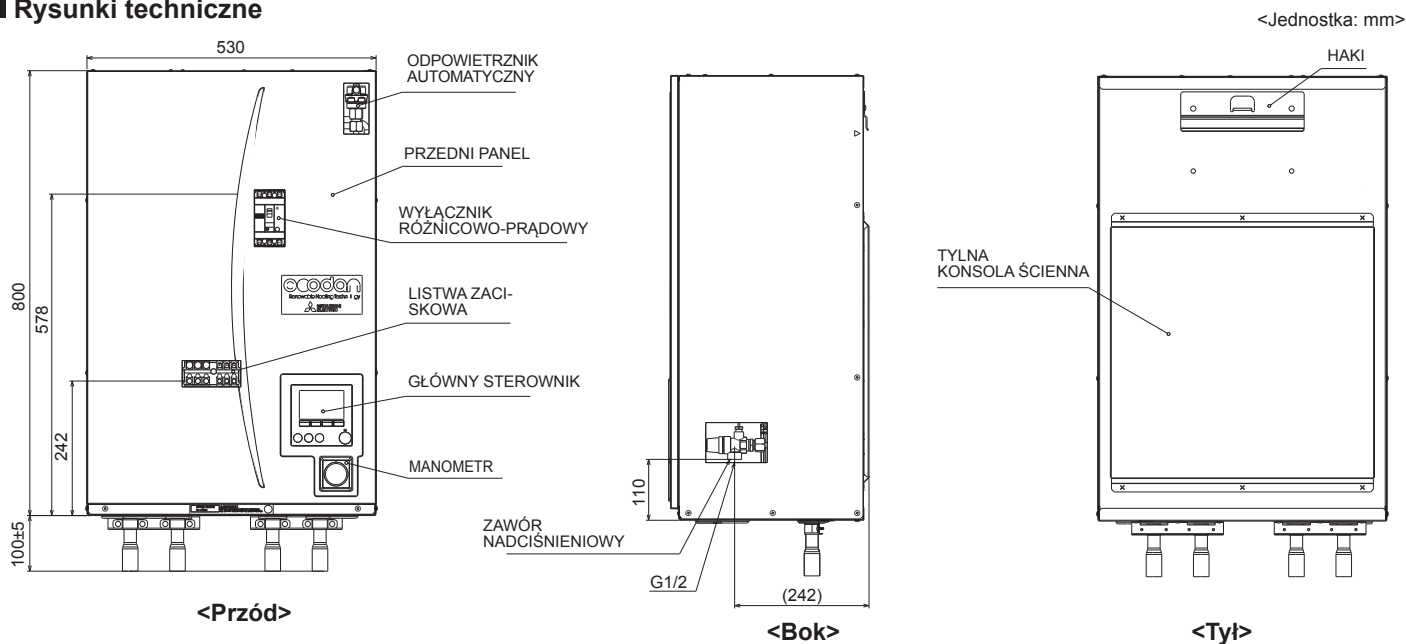
*2 ERSE-YM9ED nie jest brany pod uwagę.

*3 Tylko model 2HP (E*SD).

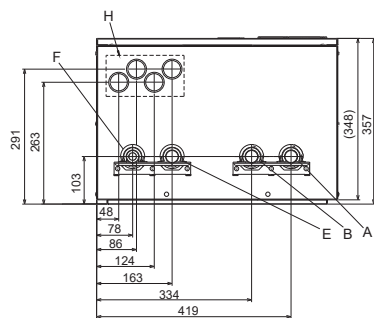
<Tabela 3.3>

3 Informacje techniczne

Rysunki techniczne



<EHPX> (monoblok)



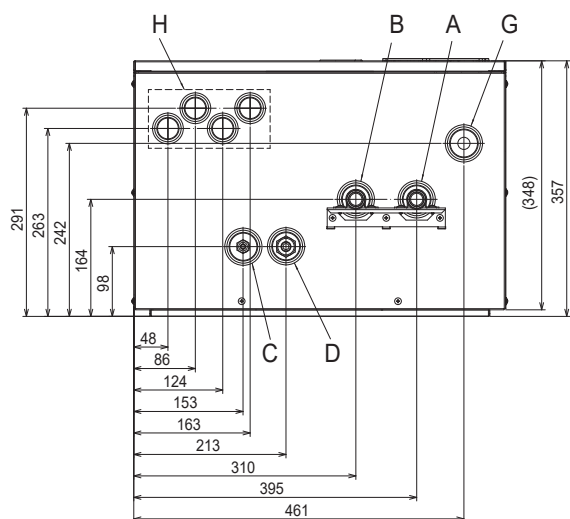
<Widok z dołu>

Poz.	Przyłącze	Średnica/typ złączki	
A	Powrót systemu grzewczego/pośredni zasobnik CWU (obieg pierwotny)	28 mm/złączka zaciskowa (EH**-*) Nakrętka G1 (ERS*-*)	
B	Zasilanie systemu grzewczego/pośredni zasobnik CWU (obieg pierwotny)	28 mm/złączka zaciskowa (EH**-*) Nakrętka G1 (ERS*-*)	
C	Czynnik chłodniczy (ciecz)	6,35 mm/Kielich (E*SD-*) 9,52 mm/Kielich (E*SC-*)	⚠ Ostrzeżenie • Przyłącza przewodów czynnika chłodniczego powinny być dostępne dla potrzeb przeglądu. • W przypadku ponownego podłączenia przewodów czynnika chłodniczego po odłączeniu, część kielichowa rury powinna zostać wykonana ponownie.
D	Czynnik chłodniczy (gaz)	12,7 mm/Kielich (E*SD-*) 15,88 mm/Kielich (E*SC-*)	
E	Przyłącze zasilania pompy ciepła	28 mm/złączka zaciskowa (EHPX-*)	
F	Przyłącze powrotu pompy ciepła	28 mm/złączka zaciskowa (EHPX-*)	
G	Przewód odpływowy (zakładany przez instalatora) zaworu nadciśnieniowego	Gwint wewnętrzny G1/2" (gniazdo zaworowe wewnątrz obudowy modułu wewnętrznego bez wbudowanego zasobnika CWU)	
H	Dławnice kablowe ① ② ③ ④	Dławnice kablowe ① i ②, okablowanie wysokonapięciowe włącznie z kablem zasilającym, kablem wewnątrz-zewnątrz i zewnętrznymi przewodami wyjściowymi. Dławnice kablowe ③ i ④, okablowanie niskonapięciowe włącznie z kablem sygnałowym i czujnika temperatury. Kabel zdalnego odbiornika (opcja) należy przeprowadzić przez dławnicę kablową ④.	
I	Przyłącze odpływowe	Średn. Zewnętrzna: ø20	

<Tabela 3.4>

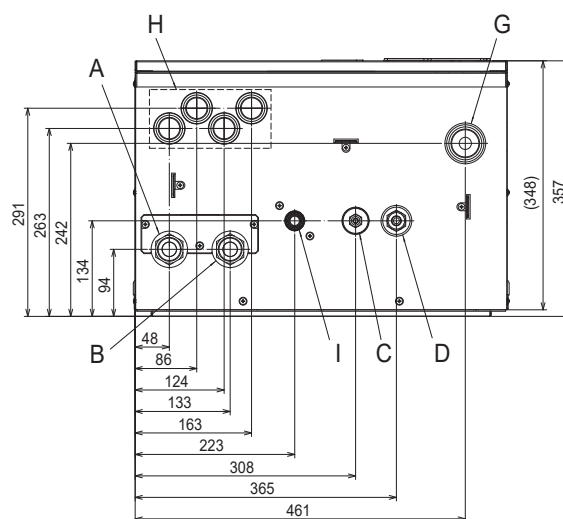
3 Informacje techniczne

<EHS*> (system split)



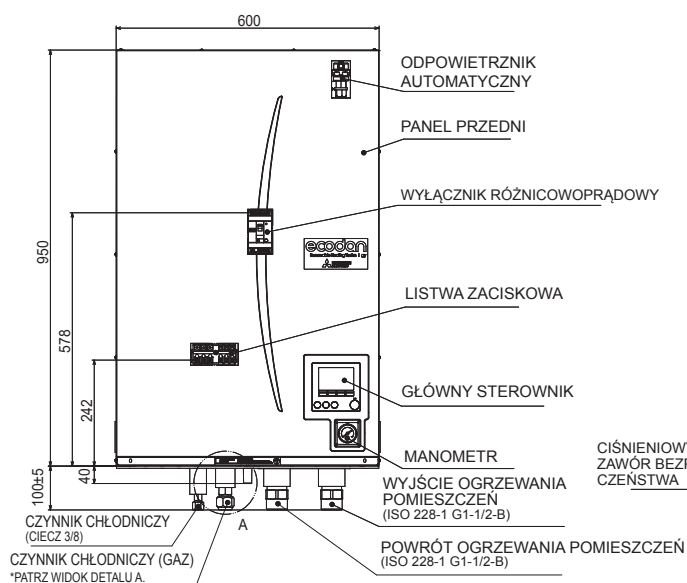
<Widok z dołu>

<ERS*> (system split do ogrzewania i chłodzenia)

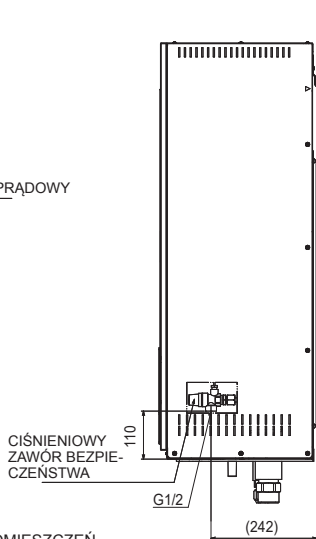


<Widok z dołu>

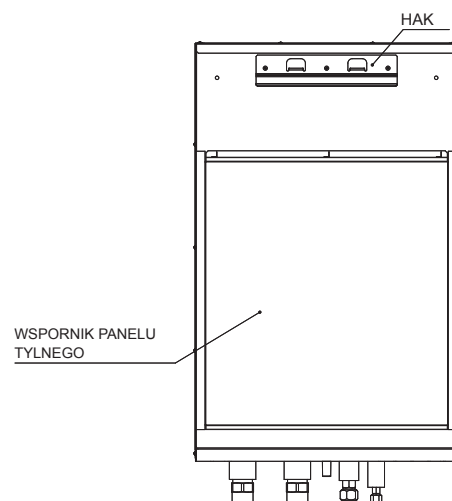
<E*SE> (System grzania / grzania i chłodzenia)



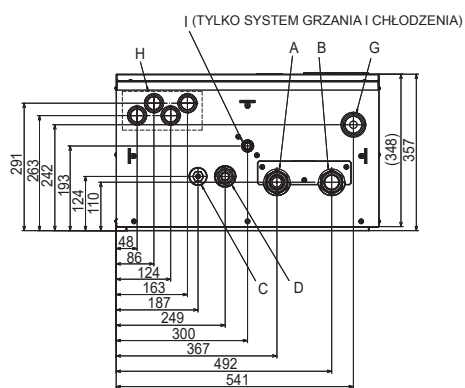
<Przód>



<Bok>



<Tył>



<Widok od dołu>

WIDOK DETALU A

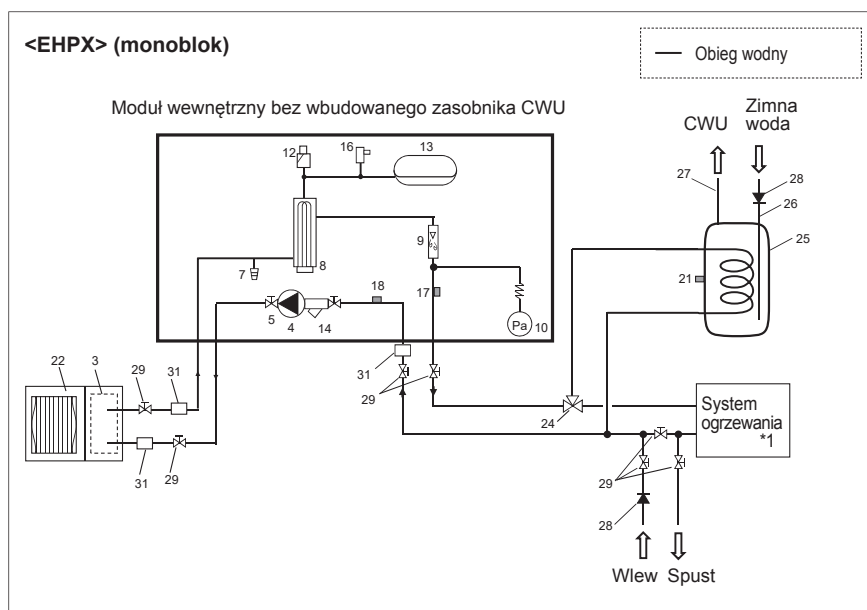
DODAJ WYPOSAŻENIE DO PRZEWODU GAZU CZYNNIKA CHŁODNICZEGO. (KIELICHOWANIE) 3/4"



ZŁĄCZE (LUTOWANE) CZYNNIKA CHŁODNICZEGO (GAZ) – ŚR. WEWN. \varnothing 25,4

3 Informacje techniczne

■ Budowa hydrauliczna



<Rysunek 3.5>

Wskazówka

- Montaż przyłączy CWU musi zostać wykonany zgodnie z obowiązującymi przepisami miejscowymi.
- Przyłącza CWU nie należą do zestawu modułu wewnętrznego bez wbudowanego zasobnika CWU. Wszystkie niezbędne części muszą być zapewnione na budowie.
- Zamontować zawory odcinające na wlewie i spuszczeniu modułu wewnętrznego bez wbudowanego zasobnika CWU, aby umożliwić napełnianie.
- Zamontować filtr w przyłączy wlewowym modułu wewnętrznego bez wbudowanego zasobnika CWU.
- Na wszystkich zaworach nadciśnieniowych musi zostać zamontowany stosowny przewód spuszczeniowy, zgodnie z obowiązującymi przepisami krajowymi.
- Zamontować zawór zwrotny zgodny z normą IEC 61770 na wlocie zimnej wody.
- Jeśli łączone ze sobą elementy lub przewody połączeniowe wykonane są z różnych metali, złączki muszą zostać zaizolowane, aby zabezpieczyć elementy przed korozją.

Nr	Nazwa części	EHPX- -M* (E/D)	EHS- -MED	EHS- -M*D	EHS- -YM 9ED	ERS- -M*(E) D	ERS- -MED
1	Skrzynka rozdzielcza	✓	✓	✓	✓	✓	✓
2	Główny sterownik	✓	✓	✓	✓	✓	✓
3	Płyty wymiennik ciepła (czynnik chłodniczy – woda)	–	✓	✓	✓	✓	✓
4	Pompa obiegu grzewczego 1	✓	✓	✓	✓	✓	✓
5	Zawór odcinający pompy	✓	✓	✓	✓	✓	✓
6	Odpowietrznik (ręczny)	–	✓	✓	✓	✓	✓
7	Zawór spustowy (obieg pierwotny)	✓	✓	✓	✓	✓	✓
8	Grzałka elektryczna 1, 2	✓	–	✓	✓	✓	–
9	Czujnik przepływu	✓	✓	✓	✓	✓	✓
10	Manometr	✓	✓	✓	✓	✓	✓
11	Zawór nadciśnieniowy (3 bary)	–	✓	✓	✓	✓	✓
12	Odpowietrznik automatyczny	✓	✓	✓	✓	✓	✓
13	Naczynie wzbiorcze	✓*2	–	✓	–	✓*3	–
14	Zawór odcinający odmulacza	✓	✓	✓	✓	✓	✓
15	Miska ściekowa	–	–	–	–	–	–
16	Zawór nadciśnieniowy (5 bary)	✓*2	–	✓	–	✓*3	–
17	THW1	✓	✓	✓	✓	✓	✓
18	THW2	✓	✓	✓	✓	✓	✓
19	TH2	–	✓	✓	✓	✓	✓
20	Czujnik ciśnienia	–	✓*4	✓*4	✓*4	✓*4	✓*4
21	THW5B (Opcjonalnie PAC-TH011TK2-E lub PAC-TH011TKL2-E)	–	–	–	–	–	–
22	Jednostka zewnętrzna	–	–	–	–	–	–
23	Zawór spustowy (we własnym zakresie)	–	–	–	–	–	–
24	Zawór 3-drożny (we własnym zakresie)	–	–	–	–	–	–
25	Pośredni zasobnik CWU (we własnym zakresie)	–	–	–	–	–	–
26	Rura wlotowa zimnej wody (we własnym zakresie)	–	–	–	–	–	–
27	Rura wylotowa CWU (we własnym zakresie)	–	–	–	–	–	–
28	Zawór zwrotny (we własnym zakresie)	–	–	–	–	–	–
29	Zawór odcinający (we własnym zakresie)	–	–	–	–	–	–
30	Filtr magnetyczny (we własnym zakresie) (zalecany)	–	–	–	–	–	–
31	Odmulacz (we własnym zakresie)	–	–	–	–	–	–

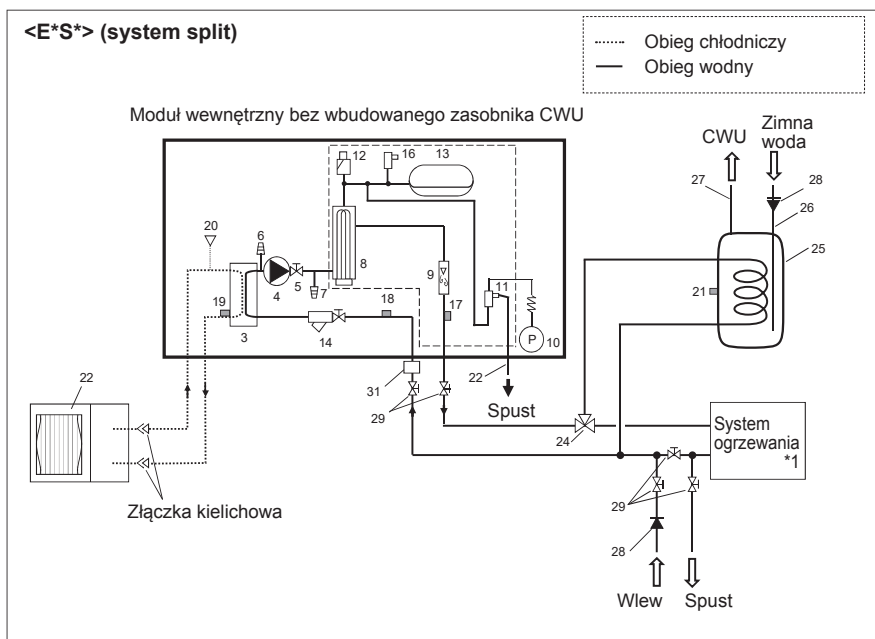
<Tabela 3.5>

*1 Patrz następny punkt [system ogrzewania].

*2 EHPX-YM9ED i EHPX-MED nie są brane pod uwagę.

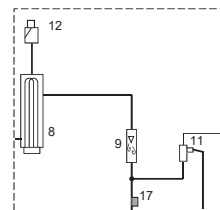
*3 ERSE-YM9ED nie jest brany pod uwagę.

*4 Tylko model 2HP (E*SD).



<Rysunek 3.6>

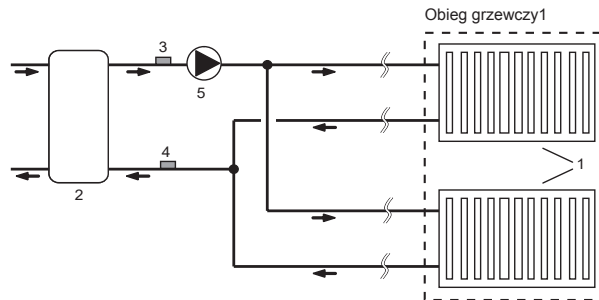
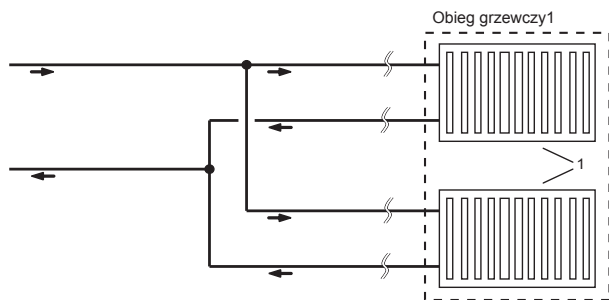
<Tylko urządzenie E*SE>



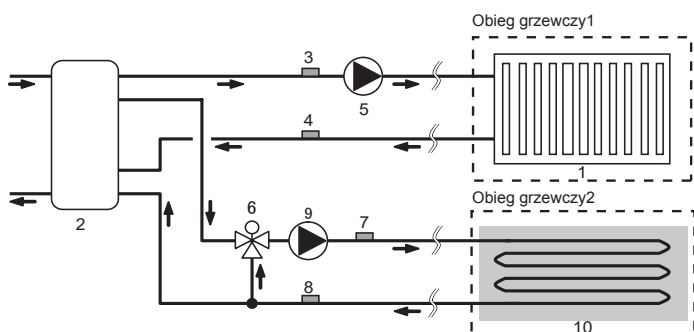
3 Informacje techniczne

System ogrzewania

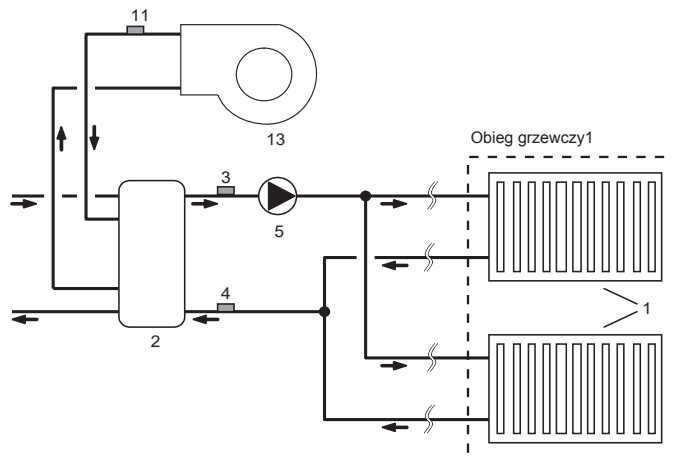
1 obieg grzewczy



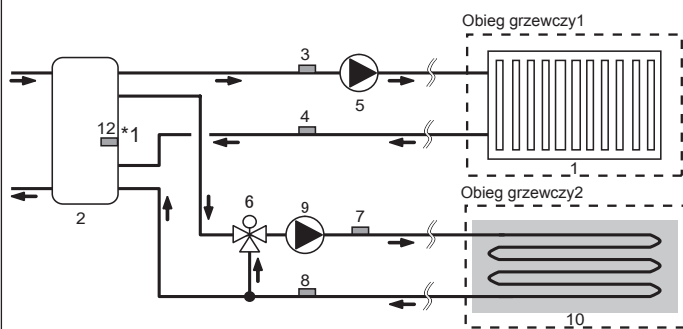
2 obiegi grzewcze



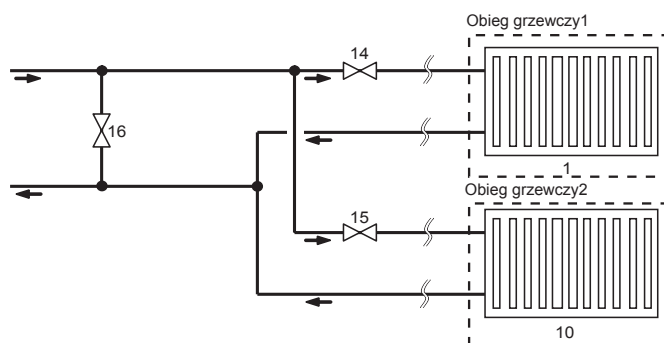
1 obieg grzewczy z kotłem



2 obiegi grzewcze i kontrola zbiornika buforowego



1 obiegi grzewcze (zawór dwudrożny, włącznik/wyłącznik)



1. Strefy grzewcze obiegu grzewczego 1 (np. grzejniki, klimakonwektory) (we własnym zakresie)
2. Bufor (we własnym zakresie)
3. Czujnik temperatury zasilania obiegu grzewczego 1 (THW6) } Opcjonalna część:
4. Czujnik temperatury powrotu obiegu grzewczego 1 (THW7) } PAC-TH011-E
5. Pompa obiegu grzewczego 1 (we własnym zakresie)
6. Zawór mieszający z napędem silnikowym (we własnym zakresie)
7. Czujnik temperatury zasilania obiegu grzewczego 2 (THW8) } Opcjonalna część:
8. Czujnik temperatury powrotu obiegu grzewczego 2 (THW9) } PAC-TH011-E
9. Pompa obiegu grzewczego 2 (we własnym zakresie)

10. Strefy grzewcze obiegu grzewczego 2 (np. ogrzewanie podłogowe) (we własnym zakresie)
11. Czujnik temperatury zasilania kotła (THWB1) } Opcjonalna część:
12. Czujnik temperatury zbiornika mieszającego (THW10) *1 } PAC-TH012HT(L)-E
13. Kocioł (we własnym zakresie)
14. Zawór dwudrożny obiegu grzewczego 1 (we własnym zakresie)
15. Zawór dwudrożny obiegu grzewczego 2 (we własnym zakresie)
16. Zawór obejściowy (we własnym zakresie)

*1 TYLKO kontrola zbiornika buforowego (ogrzewanie/chłodzenie) dotyczy wersji „Inteligentna sieć gotowa”.

<Przygotowanie do montażu i serwisowania>

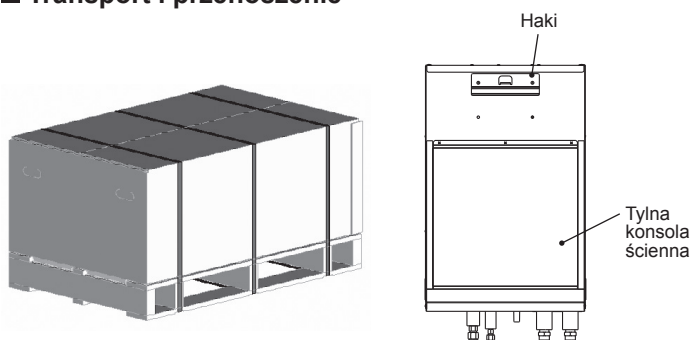
- Przygotować odpowiednie narzędzia.
- Zastosować niezbędne środki ostrożności.
- Począć, aż części ostygną, i dopiero wtedy przystępować do wykonywania czynności serwisowych.
- Zapewnić wystarczający przewiew.
- Wyłączyć napięcie zasilania i wyjąć z gniazda wtyczkę sieciową przed wykonaniem jakichkolwiek czynności przy urządzeniu.
- Rozładować kondensator przed przystąpieniem do wykonywania prac przy częściach elektrycznych.

<Środki ostrożności podczas serwisowania>

- Nie wykonywać czynności w obrębie części elektrycznych mokrymi dłońmi.
- Nie polewać części elektrycznych wodą ani żadną inną cieczą.
- Unikać styczności z czynnikiem chłodniczym.
- Nie dotykać gorących ani zimnych powierzchni obiegu cyrkulacji czynnika chłodniczego.
- Jeśli konieczne jest wykonanie naprawy lub przeglądu bez wyłączania napięcia zasilania, uważać, aby nie dotknąć żadnych części znajdujących się pod napięciem.

4.1 Miejsce ustawienia

■ Transport i przenoszenie



<Rysunek 4.1.1>

<Rysunek 4.1.2>

Moduł wewnętrzny bez wbudowanego zasobnika CWU dostarczany jest na palecie drewnianej w kartonie.

Podczas transportowania modułu wewnętrznego bez wbudowanego zasobnika CWU należy uważać, aby obudowa nie uległa uszkodzeniu. Zdjąć opakowanie dopiero wtedy, gdy moduł wewnętrzny bez wbudowanego zasobnika CWU dotrze do ostatecznego miejsca ustawienia. Chroni ono konstrukcję i pulpitu sterowania.

Wskazówka:

- Moduł wewnętrzny bez wbudowanego zasobnika CWU musi być przeniesiony **ZAWSZE** przez przynajmniej 2 osoby.
- **NIE** należy chwytać za rury podczas przenoszenia lub podnoszenia modułu wewnętrznego bez wbudowanego zasobnika CWU.

■ Odpowiednie miejsce ustawienia

Dopóki moduł wewnętrzny bez wbudowanego zasobnika CWU nie zostanie zamontowany, należy go przechowywać w miejscu chronionym przed czynnikami atmosferycznymi, w którym utrzymywana jest zawsze dodatnia temperatura. Jednostek **NIE** wolno kłaść na sobie.

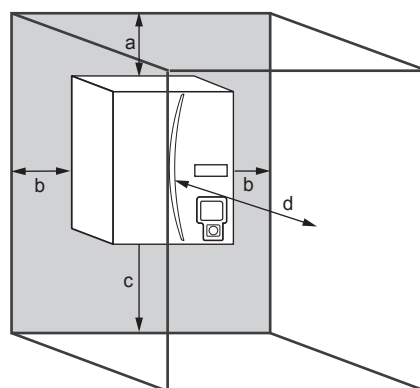
- Moduł wewnętrzny bez wbudowanego zasobnika CWU musi zostać zamontowany w obudowie w miejscu chronionym przed czynnikami atmosferycznymi, w którym utrzymywana jest zawsze dodatnia temperatura.
- Zamontować moduł wewnętrzny bez wbudowanego zasobnika CWU w miejscu, w którym nie będzie wystawiony na działanie wody lub zbyt wysokiej wilgotności.
- Moduł wewnętrzny bez wbudowanego zasobnika CWU musi zostać umieszczony na równej ścianie, która jest w stanie utrzymać jego masę wraz z zawartością.
- Masa podana jest w rozdziale „3. Informacje techniczne”.
- Zachować minimalne odległości na potrzeby serwisowania <Rysunek 4.1.3>.
- Zabezpieczyć moduł wewnętrzny bez wbudowanego zasobnika CWU przed przewróceniem się.
- Moduł wewnętrzny bez wbudowanego zasobnika CWU musi zostać przymocowany do ściany za pomocą haków i konsol ściennych. <Rysunek 4.1.2>

■ Minimalne odległości na potrzeby prac serwisowych

Minimalne odległości wokół modułu wewnętrznego bez wbudowanego zasobnika CWU	
Pozycja	Minimalny odstęp (mm)
a	200
b	150
c	500
d	500

<Tabela 4.1.1>

MUSI zostać pozostawione wystarczająco dużo miejsca na ułożenie przewodów spustowych zgodnie z przepisami krajowymi i miejscowymi.



<Rysunek 4.1.3>

Minimalne odległości na potrzeby prac serwisowych

Moduł wewnętrzny bez wbudowanego zasobnika CWU należy montować wewnątrz budynku w otoczeniu, gdzie utrzymywana jest dodatnia temperatura, np. w pomieszczeniu gospodarczym, aby zminimalizować stratę ciepła do otoczenia.

■ Przemieszczanie modułu wewnętrznego bez wbudowanego zasobnika CWU

Jeśli moduł wewnętrzny bez wbudowanego zasobnika CWU ma zostać przemieszczony, należy go **CAŁKOWICIE OPRÓŻNIĆ**, aby nie uległ uszkodzeniu.

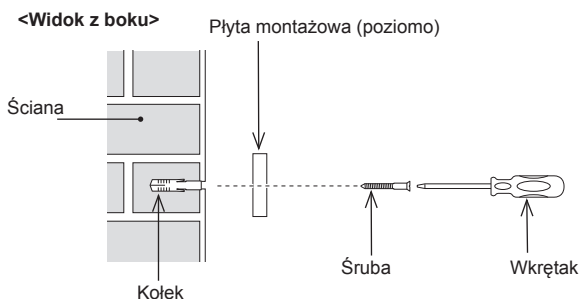
Wskazówka:

NIE należy chwytać za rury podczas przenoszenia lub podnoszenia modułu wewnętrznego bez wbudowanego zasobnika CWU.

4 Montaż

■ Montaż

- Zamontować akcesoria na otrzymanej w zestawie płycie montażowej.
* Podczas montażu płyty montażowej użyć własnych śrub i pasujących do nich kołków.

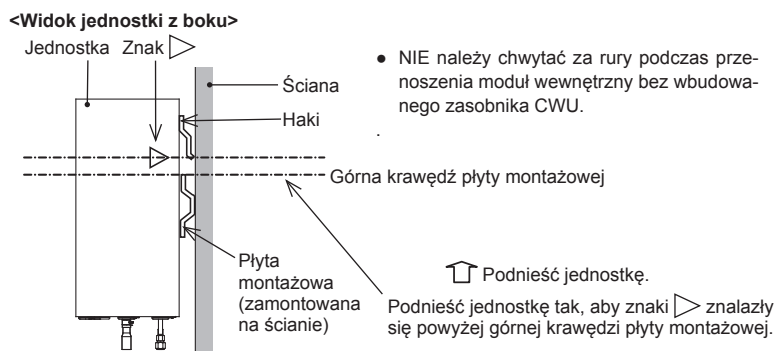


<Rysunek 4.1.4>

- Prawidłowo zamontować płytę tylną z profilem karbu poziomego umieszczonym na GÓRZE.
W płycie montażowej znajdują się okrągłe i owalne otwory na śruby. Aby jednostka nie spadła ze ściany, wybrać odpowiednią liczbę otworów lub pozycji otworów i przymocować płytę montażową poziomo w odpowiednim miejscu na ścianie.

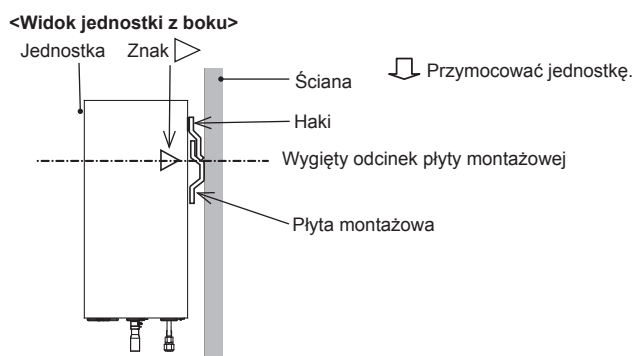
- Zaczeplić haki znajdujące się na tylnej ścianie modułu wewnętrznego bez wbudowanego zasobnika CWU za wgłębieniem płyty montażowej.
*Podnoszenie modułu wewnętrznego bez wbudowanego zasobnika CWU jest łatwiejsze, jeśli jednostka pochylona zostanie wcześniej do przodu za pomocą otrzymanej w zestawie wyściółki opakowania.

- Na prawej i lewej ścianie znajdują się znaki ▷.
Podnieść jednostkę tak, aby znaki ▷ znajdowały się powyżej górnej krawędzi płyty montażowej zgodnie z poniższym rysunkiem.



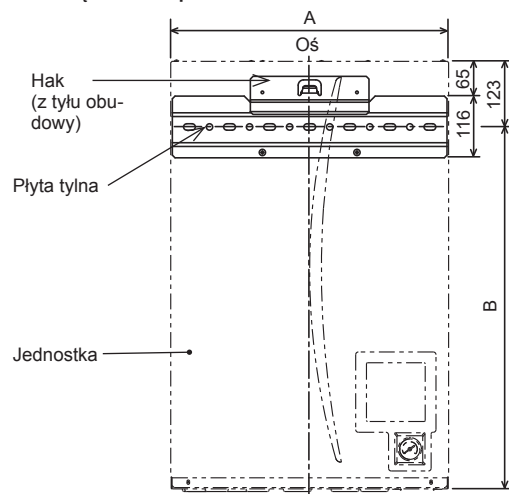
<Rysunek 4.1.5>

- Upewnić się, czy znaki ▷ są ustawione i poprawnie zaczeplone na poziomie zagłębienia na tylnej płycie, jak pokazano na rysunku.



<Rysunek 4.1.6>

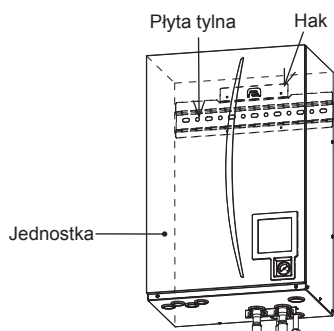
<Widok urządzenia od przodu>



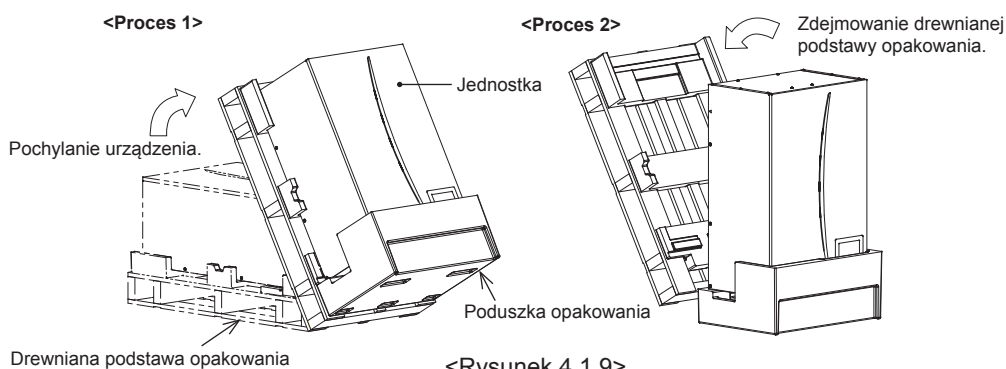
<Rysunek 4.1.7>

- Rysunek 4.1.7 przedstawia wzajemne położenie jednostek i płyty tylnej mocowanej do ściany. Płytę tylną zamontować zgodnie z <rysunkiem 4.1.3> Dostęp serwisowy.

Wymiary (mm)	A	B
Hydrobox		
E*SC	530	677
E*SD		
EHPX		
E*SE	600	827



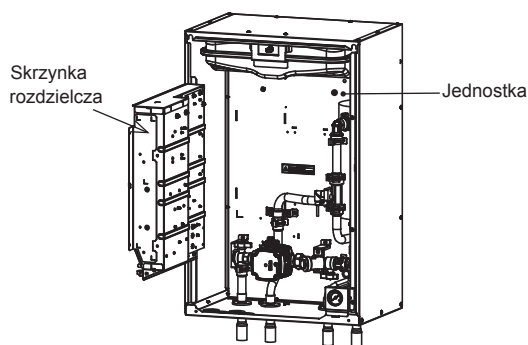
<Rysunek 4.1.8>



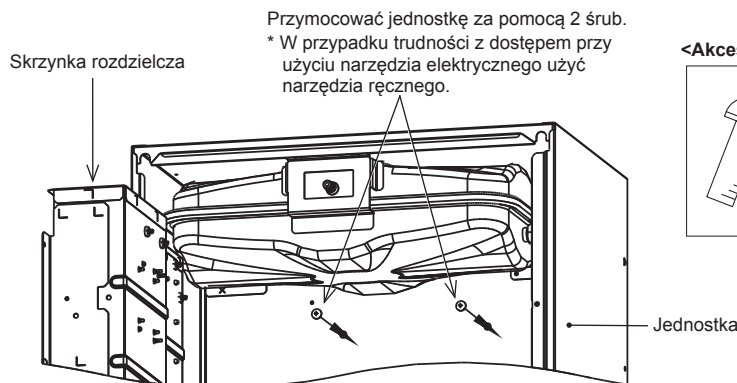
<Rysunek 4.1.9>

4 Montaż

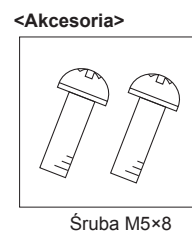
3. Biorąc pod uwagę część „Dostęp do wewnętrznych elementów i elektrycznej skrzynki rozdzielczej”, przymocować urządzenie do płyty tylnej za pomocą 2 dołączonych wkrętów (pozycje wyposażenia).



<Rysunek 4.1.10>

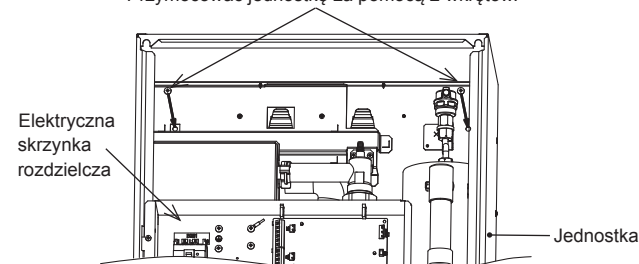


<Rysunek 4.1.11>



Śruba M5x8

Przymocować jednostkę za pomocą 2 wkrętów.



<Rysunek 4.1.12>

Uwaga: ZANIM ułożone zostaną rury instalacji, należy sprawdzić, czy te dwie śruby są zamontowane i dobrze dokręcone. W przeciwnym razie hak mógłby się poluzować i jednostka mogłaby spaść.

4.2 Jakość wody i przygotowanie systemu

■ Informacje ogólne

- Woda zarówno w obiegu pierwotnym, jak i obiegu wody pitnej musi być czysta, a jej wartość pH powinna wynosić 6,5–8,0
- Obowiązują następujące limity zawartości:
Wapń: 100 mg/L, twardość wapienowa: 250 mg/L
Chlor: 100 mg/L, miedź: 0,3 mg/L
- Pozostałe elementy składowe muszą spełniać wymagania europejskiej dyrektywy 98/83 WE.
- Na terenach, które znane są z występowania twardej wody, korzystnie jest ograniczyć temperaturę wody w zasobniku CWU do 55°C, aby zminimalizować zwapnienie.

■ Zabezpieczenie przeciwzamrożeniowe

Zabezpieczenia przeciwzamrożeniowe powinny zawierać glikol propylenowy o toksyczności klasy 1 zgodnie z Clinical Toxicology of Commercial Products, wydanie 5.

Wskazówka:

1. Glikol etylenowy jest trujący i NIE powinien być stosowany w obiegu pierwotnym w przypadku potencjalnego zakażenia krzyżowego obiegu wody pitnej.
2. W przypadku włącznika/wyłącznika z zaworem dwudrożnym powinien być stosowany glikol propylenowy.

■ Nowa instalacja (obieg pierwotny)

- Zanim podłączona zostanie jednostka zewnętrzna, dokładnie oczyścić przewody z gruzu, resztek lutu itp. za pomocą stosownego chemicznego środka czyszczącego.
- Przepłukać system, aby usunąć z niego chemiczny środek czyszczący.
- We wszystkich monoblokach dodawać do wody preparat pełniący równocześnie funkcję inhibitora korozji i zabezpieczenia przeciwzamrożeniowego, aby zapobiec uszkodzeniu przewodów i elementów systemu.
- W przypadku systemów split odpowiedzialny instalator musi, zależnie od warunków panujących w danym miejscu, stwierdzić, czy niezbędne jest zabezpieczenie przeciwzamrożeniowe. Inhibitor korozji musi być zawsze stosowany.

■ Istniejąca instalacja (obieg pierwotny)

- Zanim podłączona zostanie jednostka zewnętrzna, istniejący obieg grzewczy MUSI zostać chemicznie wyczyszczony z pozostałości zanieczyszczeń.
- Przepłukać system, aby usunąć z niego chemiczny środek czyszczący.
- We wszystkich monoblokach dodawać do wody preparat pełniący równocześnie funkcję inhibitora korozji i zabezpieczenia przeciwzamrożeniowego, aby zapobiec uszkodzeniu przewodów i elementów systemu.
- W przypadku systemów split odpowiedzialny instalator musi, zależnie od warunków panujących w danym miejscu, stwierdzić, czy niezbędne jest zabezpieczenie przeciwzamrożeniowe. Inhibitor korozji musi być zawsze stosowany.

Jeśli stosowany jest chemiczny środek czyszczący i inhibitory, należy postępować zawsze według instrukcji otrzymanych od producenta i sprawdzić, czy preparat zgodny jest z materiałami, z których zbudowany jest obieg pierwotny.

■ Minimalna ilość wody wymagana w obiegu grzewczym/chłodzącym

Jednostka zewnętrzna pompy ciepła		Umiarkowany/ Ciepłszy klimat**		Chłodniejszy klimat**	
		Ilość wody w jednostce wewnętrznej [L]	*Dodatkowa wymagana ilość wody [L]	Ilość wody w jednostce wewnętrznej [L]	*Dodatkowa wymagana ilość wody [L]
Mono-block	PUZ-WM50	5	2	5	24
	PUZ-WM60		4		29
	PUZ-WM85		7		32
	PUZ-WM112		11		43
	PUZ-HWM140		15		55
Split	SUZ-SWM40	5	1	5	12
	SUZ-SWM60		2		21
	SUZ-SWM80		4		29
	PUHZ-FRP71		6		27
	PUHZ-SW75		6		27
	PUHZ-SW100		9		38
	PUHZ-SW120		12		47
	PUHZ-SW160		18		64
	PUHZ-SW200		24		81
	PUHZ-SHW80		6		29
	PUHZ-SHW112		11		43
	PUHZ-SHW140		15		55
	PUHZ-SHW230		28		94
	PUMY-P112		22		75
PUMY-P125	22	75			
PUMY-P140	22	75			

<Tabela 4.2.1>

* Jeżeli istnieje obwód obejściowy, powyższa tabela oznacza minimalną ilość wody w przypadku obejścia.

** Patrz 2009/125/WE: Dyrektywa i przepisy (UE) Nr 813/2013 dotyczące produktów energetycznych, w celu potwierdzenia swojej strefy klimatycznej.

Przypadek 1. Brak rozdziału między obiegiem pierwotnym a wtórnym

- Zapewnić wymaganą według tabeli 4.2.1 ilość wody dla instalacji rurowej i grzejnika lub ogrzewania podłogowego.

Przypadek 2. Obiegi pierwotny i wtórny rozdzielone

- Jeżeli sprzężona praca pomp obiegu pierwotnego i wtórnego nie jest możliwa, należy zapewnić wymaganą zgodnie z tabelą 4.2.1 dodatkową ilość wody tylko w obiegu pierwotnym.
- Jeżeli sprzężona praca pomp obiegu pierwotnego i wtórnego jest możliwa, należy zapewnić całkowitą ilość wody w obiegu pierwotnym i wtórnym zgodnie z tabelą 4.2.1. W przypadku braku wymaganej ilości wody należy zamontować zbiornik buforowy.

4.3 Przewody instalacji wodnej

Wskazówka: Aby rury instalacji nie obciążały mechanicznie przewodów prowadzących do modułu wewnętrznego bez wbudowanego zasobnika CWU, należy przymocować je do ściany lub poprowadzić inną drogą.

■ Przewody ciepłej wody

Podczas montażu należy przeprowadzić kontrolę poprawności działania następujących elementów zabezpieczających moduł wewnętrznego bez wbudowanego zasobnika CWU:

- Zawór nadciśnieniowy (obieg pierwotny i zasobnik CWU)
- Ciśnienie robocze naczynia wzbiorczego

Należy dokładnie podporządkować się instrukcjom bezpiecznego wypływu ciepłej wody z urządzeń zabezpieczających.

- Ponieważ przewody mogą być bardzo rozgrzane, muszą zostać zaizolowane, aby zapobiec poparzeniom.
- Podłączając przewody, uważać, aby nie dostały się do nich żadne ciała obce, jak np. zanieczyszczenia.

■ Urządzenia zabezpieczające

Moduł wewnętrzny bez wbudowanego zasobnika CWU wyposażona jest w zawór bezpieczeństwa. (patrz <Rysunek 4.3.1>) Wielkość złącza to G1/2", żeńskie. Instalator MUSI odpowiedzialnie podłączyć odpowiednie przewody rurowe odprowadzające od zaworu, zgodnie z przepisami lokalnymi i krajowymi.

W przeciwnym razie woda z zaworu bezpieczeństwa spuszczana będzie bezpośrednio do modułu wewnętrznego, co grozi poważnym uszkodzeniem produktu. Wszystkie przewody odpływowe muszą być odporne na kontakt z gorącą wodą. Przewody odpływowe muszą na całej długości bieć w dół. Zewnętrzne końce przewodów odpływowych muszą pozostać otwarte.

Wskazówka: Uważać, aby manometr po stronie kapilary i zawór bezpieczeństwa po stronie zasilania NIE były narażone na naprężenia mechaniczne.

Jeśli zawór bezpieczeństwa dodawany jest w późniejszym czasie (ze względów bezpieczeństwa), istotne jest, aby między tym zaworem a modułem wewnętrznym nie montować zaworu zwrotnego ani zaworu odcinającego.

■ Filtr hydrauliczny (TYLKO do typszereg EHPX)

Zamontować filtr hydrauliczny lub zawór odcinający odmulacza (we własnym zakresie) na wlocie wody („Przewód E” w tabeli 3.4, patrz także schemat na rys. 3.5)

■ Przyłącza przewodów

Podłączenia do modułu wewnętrznego bez wbudowanego zasobnika CWU należy wykonać, korzystając odpowiednio ze złączek zaciskowych 28mm (typszereg EHSC/D), nakrętek G1 (typszereg ERSC/D) lub nakrętek G1-1/2 (typszereg E*SE). (Moduł wewnętrzny bez wbudowanego zasobnika CWU wyposażony jest w przyłącza gwintowane G1 lub G1-1/2 (męskie).)

Nie ciągnąć zbyt mocno za złączki zaciskowe, ponieważ może to spowodować odkształcenie tulei zagniatanej, a w konsekwencji nieszczelność.

Wskazówka: Przed lutowaniem rur na miejscu należy zabezpieczyć rury moduł wewnętrzny bez wbudowanego zasobnika CWU, np. za pomocą mokrego ręcznika, w celu zapewnienia „osłony cieplnej”.

W celu dokręcenia połączeń rurowych zastosować dwa klucze płaskie (patrz <Rysunek 4.3.2>).

■ Przewód spustowy (TYLKO typszereg ER)

Przewód spustowy musi zostać zamontowany, aby mogła być spuszczana skroplona woda w trybie chłodzenia.

- Zamontować przewód spustowy w poprawny sposób, aby woda nie wyciekła z przyłącza.
- Zaizolować własny przewód spustowy w poprawny sposób, nie kapiała z niego woda.
- Zamontować przewód spustowy ze spadkiem co najmniej 1/100.
- Nie układać przewodu spustowego w kanale spustowym, w którym występują gazy siarkowe.
- Po zakończeniu montażu sprawdzić, czy przewód spustowy poprawnie odprowadza wodę z wylotu rury.

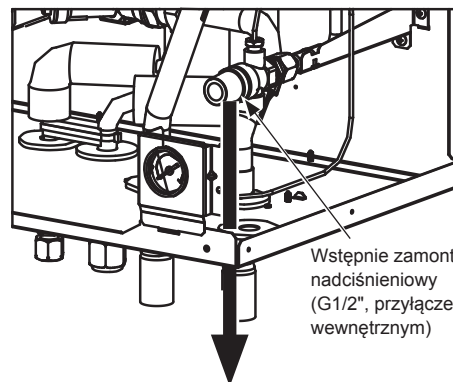
<Montaż>

1. Okleić zakresowane na rysunku powierzchnie na przewodzie spustowym i na zewnątrz na króćcu odpływowym taśmą klejącą z polichlorku winylu.
2. Wetknąć króciec odpływowy głęboko w przewód spustowy <Rysunek 4.3.3>.

Wskazówka: Przymocować własny przewód spustowy za pomocą króćca rurowego, aby przewód spustowy nie wypadł z króćca odpływowego. Aby zapobiec wydostawaniu się brudnej wody bezpośrednio na podłogę w pobliżu modułu wewnętrznego bez wbudowanego zasobnika CWU, odłączyć od niego odpowiednie orurowanie.

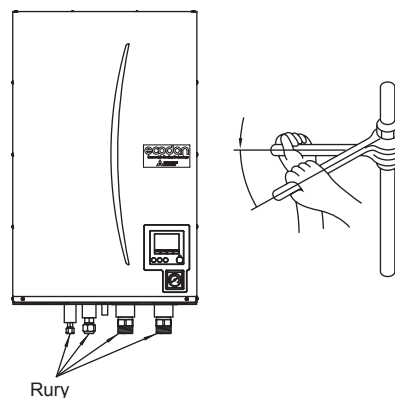
■ Izolowanie przewodów

- Wszystkie odsłonięte przewody muszą być zaizolowane, aby przeciwdziałać niepotrzebnym stratom ciepła i kondensacji. Przewody i przyłącza na górnej ścianie modułu wewnętrznego bez wbudowanego zasobnika CWU muszą być zaizolowane, aby do jednostki nie spływały skropliny.
- Przewody zimnej i ciepłej wody należy w miarę możliwości ułożyć w pewnej odległości od siebie, aby nie występował między nimi niepożądany transfer ciepła.
- Przewody napowietrzne między jednostką zewnętrzną pompy ciepła a modułem wewnętrznym bez wbudowanego zasobnika CWU muszą być zaizolowane stosownym materiałem izolacyjnym do rur o przewodności cieplnej $\leq 0,04$ W/m.K.

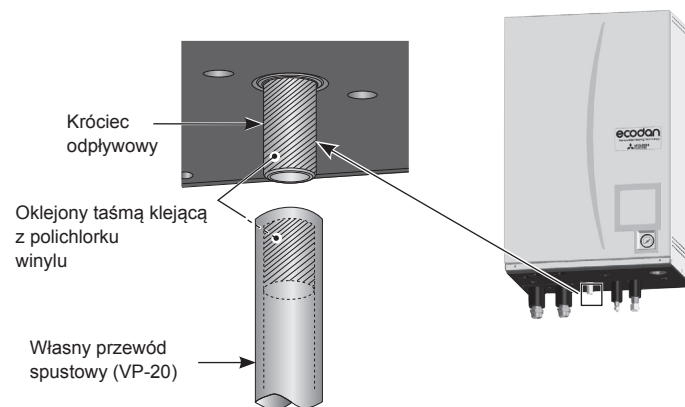


Odprowadzenie do odpływu (instalacja MUSI zostać zamontowana w sposób odpowiedzialny przez instalatora).

<Rysunek 4.3.1>



<Rysunek 4.3.2>



<Rysunek 4.3.3>

Charakterystyka pomp wody

Prędkość obrotową pompy można wybrać poprzez ustawienie w głównym sterowniku (patrz <Rysunki 4.3.4–4.3.9>).

Ustawić taką prędkość obrotową pompy, aby prędkość przepływu w obiegu pierwotnym dostosowana była do zamontowanej jednostki zewnętrznej (patrz Tabela 4.3.1). Zależnie od długości i wysokości obiegu pierwotnego może być konieczne wbudowanie w systemie dodatkowej pompy. Jeśli jednostka zewnętrzna nie jest wyszczególniona w <Tabeli 4.3.1>, zastosować przedział wydajności przepływu, który podany jest w tabeli parametrów w dokumentacji jednostki zewnętrznej.

<Druga pompa>

Jeśli w instalacji potrzebna jest druga pompa, należy uważnie przeczytać poniższe zalecenia. Jeśli w systemie stosowana jest druga pompa, może ona zostać zainstalowana na dwa sposoby. Położenie pompy ma wpływ na to, do którego zacisku FTC należy podłączyć przewód sygnałowy. Jeśli natężenie prądu dodatkowych pomp przekracza 1 A należy zastosować odpowiedni przełącznik. Kabel sygnałowy pompy może być doprowadzony do TBO.1 1-2 lub CNP1, ale nie do obu równocześnie.

Opcja 1 (tylko tryb ogrzewania)

Jeśli druga pompa używana jest tylko w trybie ogrzewania, przewód sygnałowy musi być doprowadzony do zacisków TBO.1 3 i 4 (OUT2). W tym położeniu pompa może pracować z inną prędkością obrotową niż pompa wbudowana w module wewnętrznym bez wbudowanego zasobnika CWU.

Opcja 2 (obieg pierwotny CWU i tryb ogrzewania)

Jeśli druga pompa używana jest w obiegu pierwotnym między modulem wewnętrznym bez wbudowanego zasobnika CWU i jednostką zewnętrzną (tylko monoblok), kabel sygnałowy musi być doprowadzony do zacisków TBO.1 1 i 2 (OUT1). W tym położeniu prędkość obrotowa pompy MUSI być taka sama jak pompy wbudowanej w module wewnętrznym bez wbudowanego zasobnika CWU.

Wskazówka: Patrz 5.2 Podłączenie wejść/wyjść.

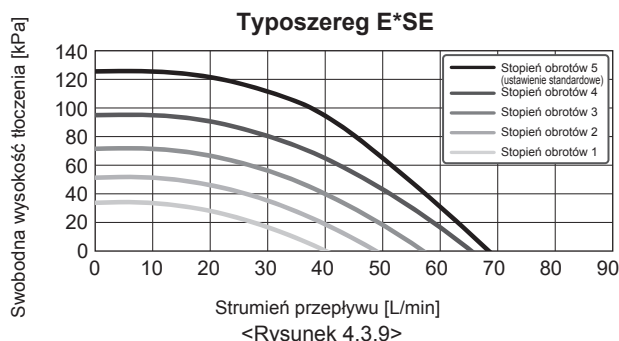
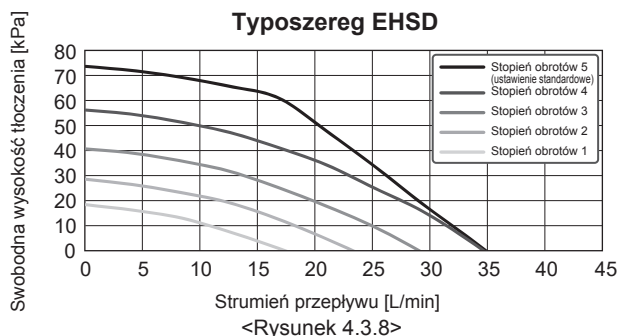
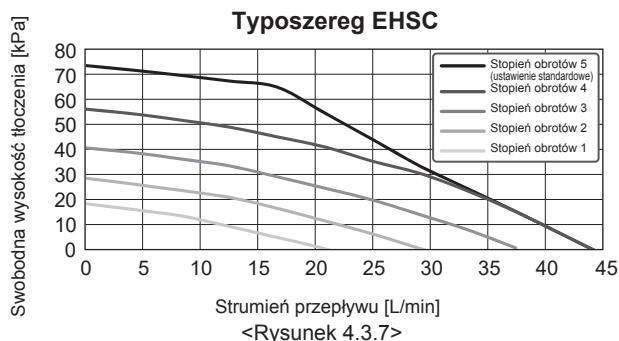
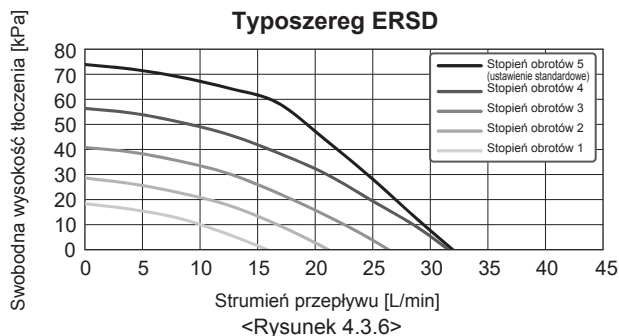
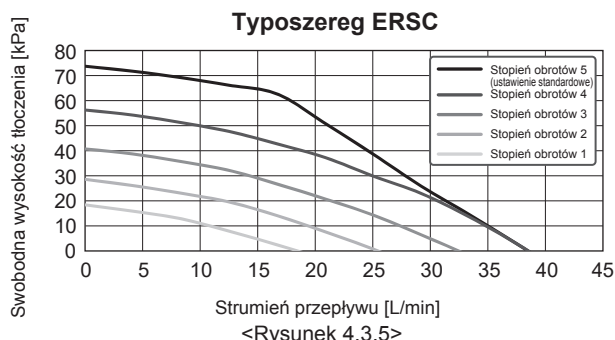
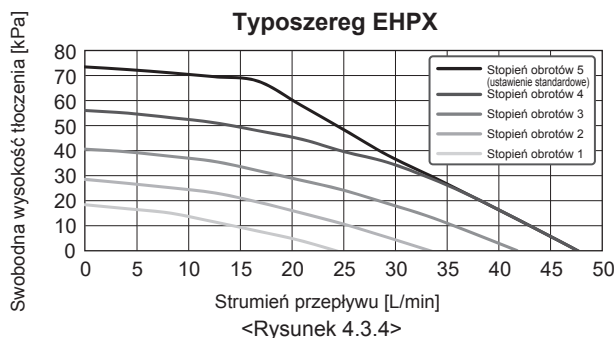
Jednostka zewnętrzna pompy ciepła		Zakres wydajności tłoczenia wody [L/min]
Monoblock	PUZ-WM50	6,5 - 14,3
	PUZ-WM60	8,6 - 17,2
	PUZ-WM85	10,8 - 25,8
	PUZ-WM112	14,4 - 32,1
	PUZ-HWM140	17,9 - 36,9
Split	SUZ-SWM40	6,5 - 11,4
	SUZ-SWM60	7,2 - 17,2
	SUZ-SWM80	7,8 - 21,5
	PUHZ-FRP71	11,5 - 22,9
	PUHZ-SW75	10,2 - 22,9
	PUHZ-SW100	14,4 - 32,1
	PUHZ-SW120	20,1 - 36,9
	PUHZ-SHW80	10,2 - 22,9
	PUHZ-SHW112	14,4 - 32,1
	PUHZ-SHW140	17,9 - 36,9
	PUMY-P112	17,9 - 35,8
	PUMY-P125	17,9 - 35,8
	PUMY-P140	17,9 - 35,8

<Tabela 4.3.1>

* Jeśli strumień przepływu jest mniejszy niż 5,0 L/min, wyzwalany jest czujnik przepływu w module wewnętrznym bez wbudowanego zasobnika CWU.

Jeśli strumień przepływu przekracza 36,9 L/min, prędkość przepływu jest większa niż 2,0 m/s, co może prowadzić do korozji erozyjnej przewodów.

Charakterystyki pomp



4 Montaż

■ Rozmieszczenie naczyń zbiorczych

Pojemność naczyń zbiorczych musi odpowiadać ilości wody w systemie ogrzewania. Podczas wymiarowania naczynia zbiorczego obiegu grzewczego mogą być przydatne następujące wzory i charakterystyki.

Jeśli wymagana pojemność naczynia zbiorczego większa jest od pojemności wbudowanego naczynia zbiorczego, należy zamontować dodatkowe naczynie zbiorcze, aby suma pojemności naczyń zbiorczych była większa od wymaganej.

* Podczas montażu urządzenia typoszeregu E***-M*ED należy dokupić i zamontować we własnym zakresie odpowiednie naczynie zbiorcze strony pierwotnej oraz dodatkowy zawór redukcyjny ciśnienia o ciśnieniu znamionowym 3 bary, ponieważ urządzenie tego typoszeregu nie zawiera fabrycznie wbudowanego naczynia zbiorczego po stronie pierwotnej.

$$V = \frac{\varepsilon \times G}{1 - \frac{P_1 + 0,098}{P_2 + 0,098}}$$

Przy czym:

V : Wymagana pojemność naczynia zbiorczego [L]

ε : Współczynnik rozszerzalności wody

G : Łączna ilość wody w systemie [L]

P₁ : Zadane ciśnienie naczynia zbiorczego [MPa]

P₂ : Maksymalne ciśnienie podczas pracy [MPa]

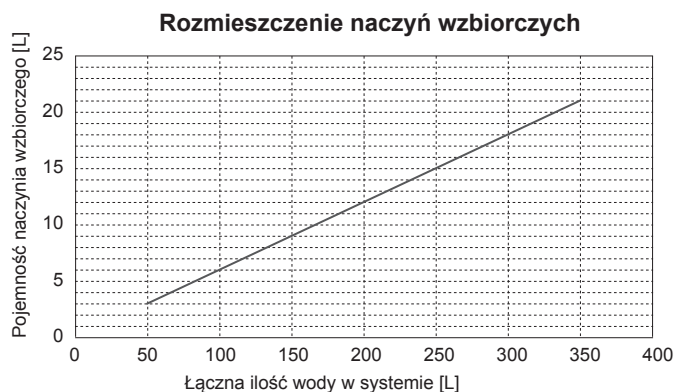
Wykres po prawej dotyczy następujących wartości

ε : przy 70°C = 0,0229

P₁ : 0,1 MPa

P₂ : 0,3 MPa

*Uwzględniono 30% na margines bezpieczeństwa.

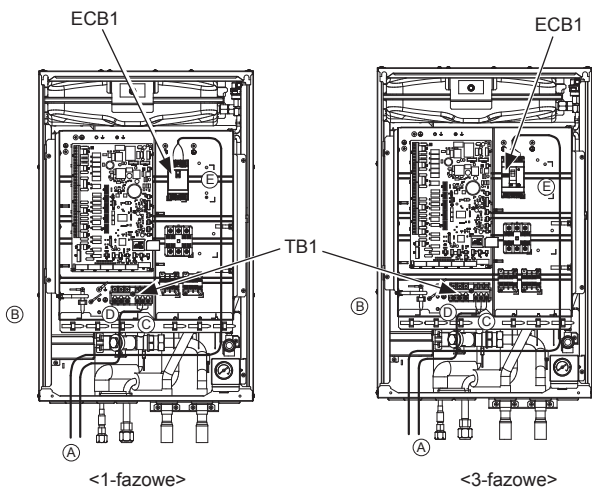


<Rysunek 4.3.10>

4.4 Podłączenie instalacji elektrycznej

Wszystkie prace w obrębie instalacji elektrycznej muszą być wykonywane przez odpowiednio wyszkolonego instalatora. Nieprzestrzeganie tej zasady grozi porażeniem prądem, pożarem lub śmiercią. Unieważnia to także gwarancję na produkt. Całe okablowanie musi spełniać krajowe normy dotyczące instalacji elektrycznych.

Skrót łącznika	Znaczenie
ECB1	Wyłącznik różnicowo-prądowy grzałki elektrycznej
TB1	Listwa zaciskowa 1



<Rysunek 4.4.1>

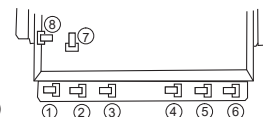
Moduł wewnętrzny bez wbudowanego zasobnika CWU może być zasilany na dwa sposoby.

1. Poprowadzenie kabla sieciowego od jednostki zewnętrznej do modułu wewnętrznego bez wbudowanego zasobnika CWU.
2. Posiadanie przez moduł wewnętrzny bez wbudowanego zasobnika CWU niezależnego źródła prądu.

Przyłącza muszą być wykonane na zaciskach, które zaznaczone są na jednym z rysunków u dołu po lewej stronie, zależnie od układu fazowego.

Grzałkę elektryczną i elektryczną grzałką zanurzeniową (CWU) należy podłączyć do niezależnych od siebie własnych źródeł prądu.

- A) Własne przewody muszą zostać przeprowadzone przez wloty w cokole modułu wewnętrznego bez wbudowanego zasobnika CWU. (Patrz <Tabela 3.4>.)
- B) Przewody poprowadzone muszą zostać po lewym boku skrzynki rozdzielczej w górę i unieruchomione przeznaczonymi do tego opaskami.
- C) Przewody powinny zostać przymocowane opaskami kablowymi, w sposób pokazany poniżej.
 - 2) Przewody wyjściowe
 - 3) Przewód wewnątrz-zewnątrz
 - 6) Przewód elektryczny (B.H.)
 - 7) Przewody wejściowe sygnałów
- D) Podłączyć kabel połączeniowy jednostka zewnętrzna-moduł wewnętrzny bez wbudowanego zasobnika CWU do TB1.
- E) Podłączyć kabel sieciowy grzałki elektrycznej do ECB1.



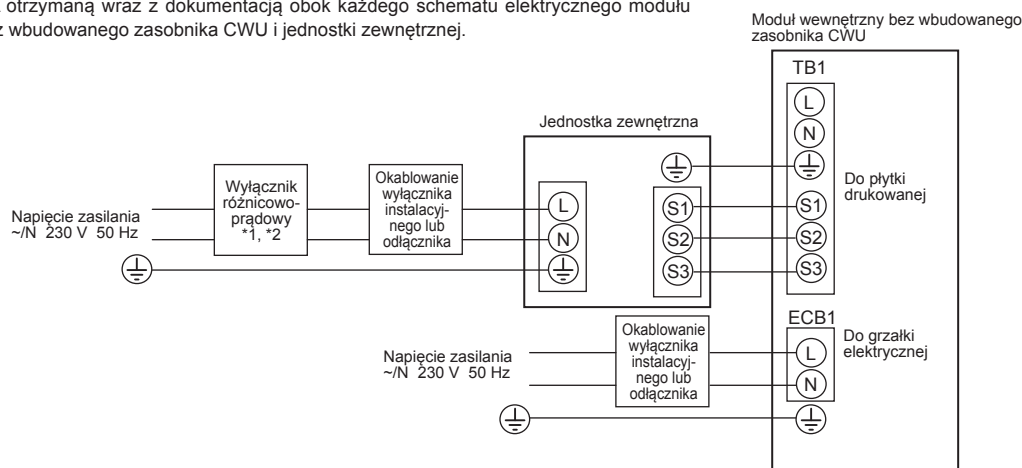
- Wyłącznik ECB1 muszą być WŁĄCZONE.

4 Montaż

Zasilanie elektryczne modułu wewnętrznego bez wbudowanego zasobnika CWU poprzez jednostkę zewnętrzną (Jeśli ma zostać wykorzystane źródło niezależne, przejść na stronę internetową Mitsubishi.)

<1-fazowe>

Dokleić etykietę A otrzymaną wraz z dokumentacją obok każdego schematu elektrycznego modułu wewnętrznego bez wbudowanego zasobnika CWU i jednostki zewnętrznej.

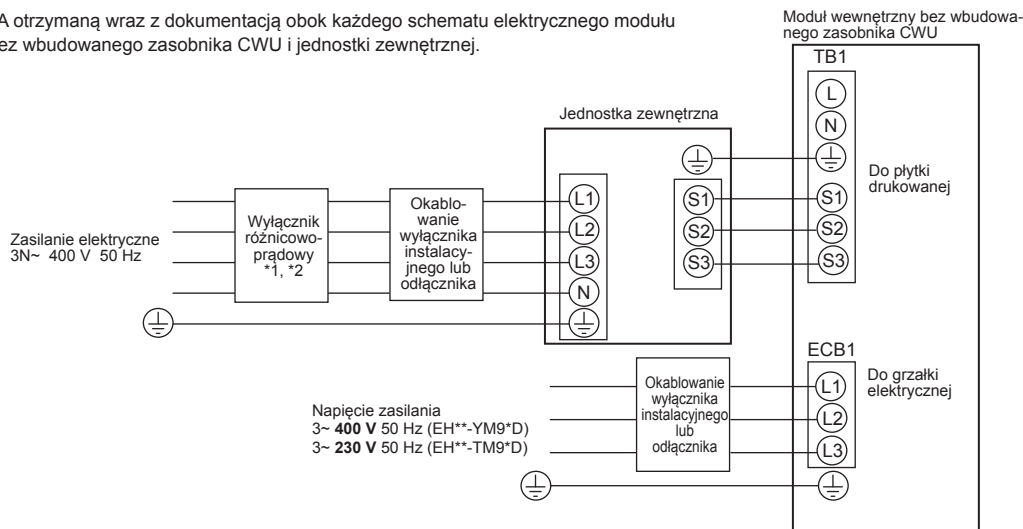


<Rysunek 4.4.2>
Przyłącza elektryczne 1-fazowe

Opis	Napięcie zasilania	Moc	Wyłącznik	Okablowanie
Grzałka elektryczna	~N 230 V 50 Hz	2 kW	16 A *2	2,5 mm ²
		6 kW	32 A *2	6,0 mm ²

<3-fazowe>

Dokleić etykietę A otrzymaną wraz z dokumentacją obok każdego schematu elektrycznego modułu wewnętrznego bez wbudowanego zasobnika CWU i jednostki zewnętrznej.



<Rysunek 4.4.3>
Przyłącza elektryczne 3-fazowe

Opis	Napięcie zasilania	Moc	Wyłącznik	Okablowanie
Grzałka elektryczna	3~ 400 V 50 Hz	9 kW	16 A *2	2,5 mm ²
	3~ 230 V 50 Hz	9 kW	32 A *2	6,0 mm ²

Okablowanie Liczba przewodów x pole przekroju (mm ²)	Moduł wewnętrzny bez wbudowanego zasobnika CWU - jednostka zewnętrzna	*3	3 x 1,5 (biegunowe)
	Moduł wewnętrzny bez wbudowanego zasobnika CWU - uziemienie jednostki zewnętrznej	*3	1 x min. 1,5
Rodzaj napięcia	Moduł wewnętrzny bez wbudowanego zasobnika CWU - jednostka zewnętrzna S1 - S2	*4	230 V AC
	Moduł wewnętrzny bez wbudowanego zasobnika CWU - jednostka zewnętrzna S2 - S3	*4	24 V DC

*1. Jeśli zamontowany jest wyłącznik różnicowo-prądowy bez funkcji nadprądowej, na tym samym przewodzie elektrycznym zamontować wyłącznik z tą funkcją.

*2. Na każdym biegunie musi znajdować się wyłącznik z odstępem łączenia przynajmniej 3 mm. Należy zastosować wyłącznik różnicowo-prądowy (NV).

Wyłącznik musi być tak wykonany, aby był w stanie odłączyć wszystkie aktywne przewody fazowe zasilania.

*3. Maks. 45 m. Jeśli przekrój wynosi 2,5 mm², maks. 50 m. Jeśli przekrój wynosi 2,5 mm² i odstęp S3, maks. 80 m

*4. Nie wszystkie podane powyżej wartości są wynikami pomiaru względem masy.

Wskazówka: 1. Okablowanie musi spełniać odpowiednie przepisy miejscowe i krajowe.

2. Przewody przyłączeniowe jednostki wewnętrznej/zewnętrznej nie mogą być gorsze niż przewody elastyczne w izolacji z polichloroprenu. (Wersja 60245 IEC 57)

Przewody przyłączeniowe jednostki wewnętrznej nie mogą być gorsze niż przewody elastyczne w izolacji z polichloroprenu. (Wersja 60227 IEC 53)

3. Zamontować przewód uziemiający dłuższy niż pozostałe przewody.

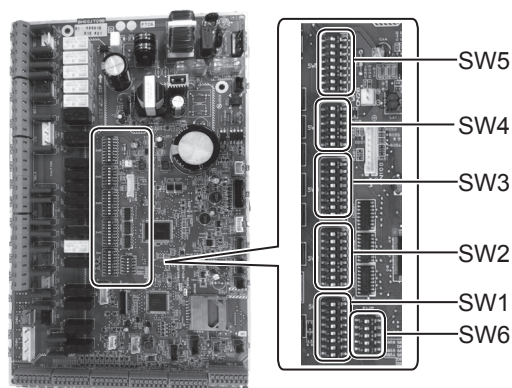
4. Zapewnić odpowiednią moc wyjściową do zasilania każdej grzałki. Niewystarczająca moc napięcia zasilania może być przyczyną drgania styków.

5 Konfigurowanie systemu

5.1 Funkcje przełączników DIP

Numer przełącznika DIP wydrukowany jest na płytce obok niego. Wyraz ON wydrukowany jest na płytce drukowanej i samej listwie przełączników DIP. Położenie przełącznika można zmienić przełączając go długopisem lub podobnym przedmiotem.

Ustawienia przełącznika DIP wyszczególnione są w tabeli 5.1.1. OZmiany ustawień przełącznika DIP może dokonać tylko uprawniony instalator na własną odpowiedzialność, zgodnie z warunkami instalacji. Nie zmieniać ustawień przełączników podczas gdy włączone jest napięcie zasilania jednostki wewnętrznej i zewnętrznej.



<Rysunek 5.1.1>

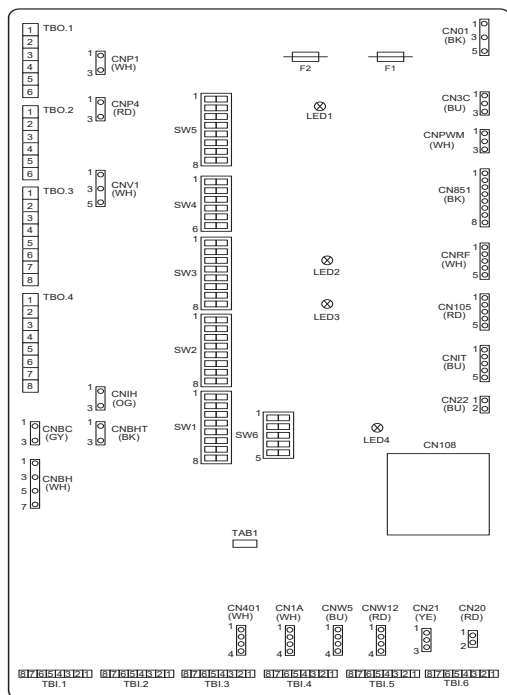
Przełącznik DIP	Funkcja	OFF / WYL.	ON / WL.	Ustawienia standardowe: Typ jednostki wewnętrznej	
SW1	SW1-1 Kocioł	BEZ kotła	Z kotłem	OFF	
	SW1-2 Maks. temperatura zasilania pompy ciepła	55°C	60°C	ON *1	
	SW1-3 Zasobnik ciepłej wody użytkowej	BEZ zasobnika CWU	Z zasobnikiem CWU	OFF	
	SW1-4 Elektryczna grzałka zanurzeniowa	BEZ elektrycznej grzałki zanurzeniowej	Z elektryczną grzałką zanurzeniową	OFF	
	SW1-5 Grzałka elektryczna	BEZ grzałki elektrycznej	Z grzałką elektryczną	OFF: E***-MED ON : E***-M2/6/9*D	
	SW1-6 Funkcja grzałki elektrycznej	Tylko do ogrzewania	Do ogrzewania i CWU	OFF: E***-MED ON : E***-M2/6/9*D	
	SW1-7 Rodzaj jednostki zewnętrznej	Split	Monoblok	OFF: Wyjątek EHPX-*M**D ON : EHPX-*M**D	
	SW1-8 Zdalny sterownik	BEZ zdalnego sterownika	ZE zdalnym sterownikiem	OFF	
SW2	SW2-1 Wejście termostatu wewnętrznego 1 (IN1) działanie odwrotne	Zatrzymanie pracy obiegu grzewczego 1, gdy termostat jest „zwarty”	Zatrzymanie pracy obiegu grzewczego 1, gdy termostat jest „rozarty”	OFF	
	SW2-2 Wejście czujnika przepływu 1 (IN2) działanie odwrotne	Wykrycie błędy, gdy jest „zwarte”	Wykrycie błędy, gdy jest „rozwarne”	OFF	
	SW2-3 Limit mocy grzałki elektrycznej	Nieaktywny	Aktywny	OFF: Wyjątek E***-VM2D ON : E***-VM2D	
	SW2-4 Funkcja trybu chłodzenia	Nieaktywny	Aktywny	OFF: Wyjątek ERS*-*M**D ON : ERS*-*M**D	
	SW2-5 Automatyczne przełączanie na drugi generator ciepła (gdy jednostka zewnętrzna nie działa z powodu usterki)	Nieaktywny	Aktywny*2	OFF	
	SW2-6 Bufor	BEZ bufora	Z buforem	OFF	
	SW2-7 Regulacja temperatury 2 obiegów grzewczych	Nieaktywny	Aktywny*6	OFF	
	SW2-8 Czujnik przepływu	BEZ czujnika przepływu	Z czujnikiem przepływu	ON	
SW3	SW3-1 Wejście termostatu wewnętrznego 2 (IN6) działanie odwrotne	Zatrzymanie pracy obiegu grzewczego 2, gdy termostat jest „zwarty”	Zatrzymanie pracy obiegu grzewczego 2, gdy termostat jest „rozarty”	OFF	
	SW3-2 Wejście czujnika przepływu 2 i 3 działanie odwrotne	Wykrycie błędy, gdy jest „zwarte”	Wykrycie błędy, gdy jest „rozwarne”	OFF	
	SW3-3 —	—	—	OFF	
	SW3-4 Licznik prądu	BEZ licznika prądu	Z licznikiem prądu	OFF	
	SW3-5 Funkcja trybu ogrzewania*3	Nieaktywny	Aktywny	ON	
	SW3-6 Zawór dwudrożny, włącznik/wyłącznik	Nieaktywny	Aktywny	OFF	
	SW3-7 Wymiennik ciepła CWU	Gładkorurowy wymiennik ciepła w zasobniku	Zewnętrzna płyta hex	OFF	
	SW3-8 Licznik energii cieplnej	BEZ licznika energii cieplnej	Z licznikiem energii cieplnej	OFF	
SW4	SW4-1 Sterowanie więcej niż jedną jednostką zewnętrzną	Nieaktywny	Aktywny	OFF	
	SW4-2 Ustawienie sterowania więcej niż jedną jednostką zewnętrzną*7	Slave	Master	OFF	
	SW4-3 —	—	—	OFF	
	SW4-4 Autonomiczna praca jednostki wewnętrznej (podczas montażu)*4	Nieaktywny	Aktywny	OFF	
	SW4-5 Tryb awaryjny (działa tylko grzałka)	Normalny	Tryb awaryjny (działa tylko ogrzewanie)	OFF *5	
	SW4-6 Tryb awaryjny (tryb kotła)	Normalny	Tryb awaryjny (tryb kotła)	OFF *5	
SW5	SW5-1 —	—	—	OFF	
	SW5-2 Zaawansowana autoadaptacja	Nieaktywny	Aktywny	ON	
	SW5-3	Kod sprawności			
	SW5-4				
	SW5-5				
	SW5-6				
	SW5-7				
	SW5-8				OFF
SW6	SW6-1			OFF	
	SW6-2			OFF	
	SW6-3 Czujnik ciśnienia	Nieaktywny	Aktywny	OFF: Wyjątek E*SD-*M**D ON:E*SD-*M**D	
	SW6-4 Wyjście analogowe	Nieaktywny	Aktywny	OFF	
	SW6-5			OFF	

<Tabela 5.1.1>

- Wskazówka:** *1. Gdy moduł wewnętrzny bez wbudowanego zasobnika CWU podłączony jest do jednostki zewnętrznej PUHZ-RP, której maksymalna temperatura wody na wylocie wynosi 55°C, przełącznik DIP SW1-2 ustawiony być musi w pozycji OFF.
- *2. W przypadku ustawienia w pozycji ON do dyspozycji jest zewnętrzne wyjście (OUT11). Ze względów bezpieczeństwa funkcja ta nie jest dostępna w przypadku pewnych usterek. (W takim przypadku zatrzymywane jest działanie systemu i działa tylko pompa obiegu grzewczego).
- *3. Ten przełącznik działa tylko wtedy, gdy moduł wewnętrzny bez wbudowanego zasobnika CWU podłączony jest do jednostki zewnętrznej PUHZ-FRP. Gdy podłączona jest jednostka zewnętrzna innego typu, funkcja trybu grzania aktywna jest, niezależnie od pozycji tego przełącznika.
- *4. Tryb ogrzewania i tryb CWU może działać tylko w jednostce wewnętrznej, takiej jak grzejnik elektryczny (patrz „5.4 Autonomiczne działanie jednostki wewnętrznej”).
- *5. Gdy tryb awaryjny przestanie być potrzebny ustawić przełącznik z powrotem w pozycji OFF.
- *6. Aktywne tylko wtedy, gdy SW3-6 znajduje się w pozycji OFF.
- *7. Aktywne tylko wtedy, gdy SW4-1 znajduje się w pozycji ON.

5 Konfigurowanie systemu

5.2 Podłączanie wejść/wyjść



<Rysunek 5.2.1>

Specyfikacja okablowania i własne części

Poz.	Nazwa	Model i specyfikacja
Funkcja wejścia sygnałowego	Kabel	Stosować kable w oplocie, z izolacją winylową. Maks. 30 m Typ żyły: CV, CVS lub równoważne Grubość żyły: Żyła wielodrutowa 0,13 mm ² – 0,52 mm ² , żyła lita: ø0,4 mm – ø0,8 mm
	Łącznik	Sygnal styku beznapięciowego „a”. Zdalny łącznik: doprowadzane minimalne obciążenie 12 VDC, 1 mA

Wskazówka:

Żyła wielodrutowa powinna być wyposażona w izolowaną szynę zaciskową (wykonanie spełniające wymagania normy DIN 46228-4).

■ Wejścia sygnałowe

Nazwa	Listwa zaciskowa	Złącze	Pozycja	WYŁ. („rozwarne”)	WŁ. („zwarte”)
IN1	TBI.1 7-8	—	Wejście termostatu wewnętrznego 1 *1	Patrz SW2-1 w <5.1 Funkcje przełączników DIP>.	
IN2	TBI.1 5-6	—	Wejście czujnika przepływu 1	Patrz SW2-2 w <5.1 Funkcje przełączników DIP>.	
IN3	TBI.1 3-4	—	Wejście czujnika przepływu 2 (HK 1)	Patrz SW3-2 w <5.1 Funkcje przełączników DIP>.	
IN4	TBI.1 1-2	—	Wejście sterowania zapotrzebowaniem	Normalny	WYŁ. źródła ciepła / tryb kotła *3
IN5	TBI.2 7-8	—	Wejście termostatu zewnętrznego *2	Standardowy tryb pracy	Tryb grzałki / tryb kotła *3
IN6	TBI.2 5-6	—	Wejście termostatu wewnętrznego 2 *1	Patrz SW3-1 w <5.1 Funkcje przełączników DIP>.	
IN7	TBI.2 3-4	—	Wejście czujnika przepływu 3 (HK 2)	Patrz SW3-2 w <5.1 Funkcje przełączników DIP>.	
IN8	TBI.3 7-8	—	Licznik prądu 1	*4	
IN9	TBI.3 5-6	—	Licznik prądu 2		
IN10	TBI.2 1-2	—	Licznik energii cieplnej		
IN11	TBI.3 3-4	—	Gniazdko przystosowane do instalacji smart grid	*5	
IN12	TBI.3 1-2	—			
INA1	TBI.4 1-3	CN1A	Czujnik przepływu	—	—

*1. Cykl włączania/wyłączania termostatu pokojowego musi wynosić 10 minut lub więcej, w przeciwnym razie kompresor może ulec uszkodzeniu.

*2. Jeśli pracę grzałek reguluje termostat zewnętrzny, może się zmniejszyć trwałość grzałek i przynależnych do nich części.

*3. W celu włączenia trybu kotła należy w oknie „Ustawienia zewnętrznych wejść” menu serwisowego głównego sterownika wybrać wartość „Kocioł”.

*4. Podłączany licznik prądu i licznik energii cieplnej.

- Rodzaj impulsu: Beznapięciowy styk na 12 V DC, odczyt przez FTC (Styk 1 złącza TBI.2 oraz styki 5 i 7 złącza TBI.3 są pod napięciem dodatnim.)
- Czas trwania impulsu: Minimalny czas w pozycji ON: 40 ms
Minimalny czas w pozycji OFF: 100 ms
- Możliwa jednostka impulsu: 0,1 imp./kWh 1 10 100 imp./kWh

Te wartości można ustawić z poziomu głównego sterownika. (Patrz podmenu w „Główny sterownik”).

*5. Więcej informacji o inteligentnej sieci gotowej można znaleźć w podręczniku witryny.

■ Wejścia czujnika temperatury

Nazwa	Listwa zaciskowa	Złącze	Poz.	Opcjonalny model części
TH1	—	CN20	Czujnik temperatury (temperatura wnętrza) (Opcja)	PAC-SE41TS-E
TH2	—	CN21	Czujnik temperatury (temperatura ciekłego czynnika chłodniczego)	—
THW1	—	CNW12 1-2	Czujnik temperatury (temperatura zasilania)	—
THW2	—	CNW12 3-4	Czujnik temperatury (temperatura powrotu)	—
THW5B	—	CNW5 3-4	Czujnik temperatury (temperatura wody w opcjonalnym zasobniku CWU) (opcjonalny)*1	PAC-TH011TK2-E(5m)/ PAC-TH011TKL2-E(30m)
THW6	TBI.5 7-8	—	Czujnik temperatury (temperatura zasilania obiegu grzewczego 1) (opcjonalny)*1	PAC-TH011-E
THW7	TBI.5 5-6	—	Czujnik temperatury (temperatura powrotu obiegu grzewczego 1) (opcjonalny)*1	PAC-TH011-E
THW8	TBI.5 3-4	—	Czujnik temperatury (temperatura zasilania obiegu grzewczego 2) (opcjonalny)*1	PAC-TH011-E
THW9	TBI.5 1-2	—	Czujnik temperatury (temperatura powrotu obiegu grzewczego 2) (opcjonalny)*1	PAC-TH011-E
THW10	TBI.6 5-6	—	Czujnik temperatury (Temperatura wody w zbiorniku mieszającym) (opcjonalny)*1	PAC-TH012HT-E(5m)/ PAC-TH012HTL-E(30m)
THWB1	TBI.6 7-8	—	Czujnik temperatury (temperatura zasilania kotła) (opcjonalny)*1	

Przewody czujnika temperatury muszą być poprowadzone w pewnej odległości od kabli zasilających oraz okablowania wyjść od OUT1 do OUT16.

*1. Maksymalna długość przewodów czujnika temperatury wynosi 30 m. Gdy przewody doprowadzane są do sąsiadujących ze sobą zacisków, zastosować końcówki oczkowe i zaizolować przewody.

Długość opcjonalnego czujnika temperatury wynosi 5 m. Gdyby zachodziła konieczność splatania i przedłużania przewodów, należy przestrzegać następujących zasad:

- 1) Łączyć przewody przez lutowanie.
- 2) Izolować każde miejsce łączenia od pyłu i wody.

5 Konfigurowanie systemu

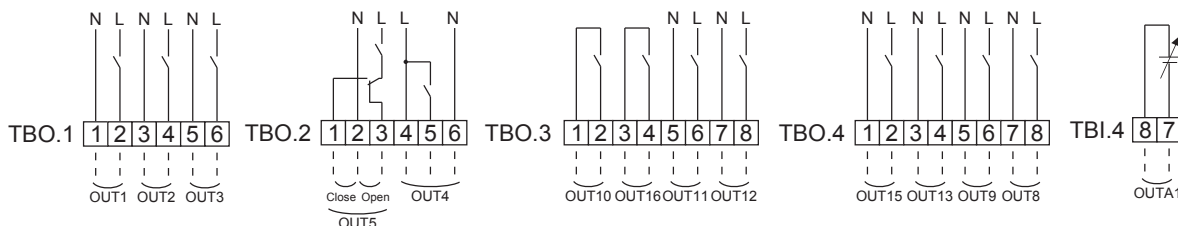
Wyjścia sygnałowe

Nazwa	Listwa zaciskowa	Przylącze	Poz.	OFF	ON	Sygnal/Maks. prąd	Maks. suma prądów	
OUT1	TBO.1 1-2	CNP1	Wyjście pompy obiegu pierwotnego 1 (ogrzewanie pomieszczeń i CWU)	OFF	ON	Maks. 230 V AC 1,0 A (Uderzenie prądowe maks. 40 A)	4,0 A (a)	
OUT2	TBO.1 3-4	—	Wyjście pompy obiegu grzewczego 2 (ogrzewanie pomieszczeń w obiegu grzewczym 1)	OFF	ON	Maks. 230 V AC 1,0 A (Uderzenie prądowe maks. 40 A)		
OUT3	TBO.1 5-6	—	Wyjście pompy obiegu grzewczego 3 (ogrzewanie pomieszczeń w obiegu grzewczym 2)*1	OFF	ON	Maks. 230 V AC 1,0 A (Uderzenie prądowe maks. 40 A)		
OUT14	—	CNP4	Wyjście pompy obiegu grzewczego 4 (CWU)	OFF	ON	Maks. 230 V AC 1,0 A (Uderzenie prądowe maks. 40 A)		
OUT4	TBO.2 4-6	CNV1	Wyjście zaworu 3-droznego (zawór dwudrożny 1)	Ogrzewanie	CWU	Maks. 230 V AC 0,1A	3,0 A (b)	
	—	CN851	Wyjście zaworu 3-droznego					
OUT5	TBO.2 1-2	—	Wyjście zaworu mieszającego*1	Zatrzymanie	Zwarcie	Maks. 230 V AC 0,1A		
	TBO.2 2-3	—		Rozwarcie				
OUT6	—	CNBH 1-3	Wyjście grzałki elektrycznej1	OFF	ON	Maks. 230 V AC 0,5 A (przełącznik)		
OUT7	—	CNBH 5-7	Wyjście grzałki elektrycznej2	OFF	ON	Maks. 230 V AC 0,5 A (przełącznik)		
OUT8	TBO.4 7-8	—	Sygnal wyjściowy chłodzenia	OFF	ON	Maks. 230 V AC 0,5A		
OUT9	TBO.4 5-6	CNIH	Wyjście elektrycznej grzałki zanurzeniowej (CWU)	OFF	ON	Maks. 230 V AC 0,5 A (przełącznik)		
OUT11	TBO.3 5-6	—	Wyjście komunikatu o usterce	Normalny	Usterka	Maks. 230 V AC 0,5A		
OUT12	TBO.3 7-8	—	Sygnal odmrażania	Normalny	Odmrażanie	Maks. 230 V AC 0,5A		
OUT13	TBO.4 3-4	—	Wyjście zaworu dwudrożnego 2a*2	OFF	ON	Maks. 230 V AC 0,1A		
OUT15	TBO.4 1-2	—	Wyjście sprężarki — sygnał ON	OFF	ON	Maks. 230 V AC 0,5A		
OUT10	TBO.3 1-2	—	Wyjście kotła	OFF	ON	Styk beznapięciowy · 220–240 V AC (30 V DC) · 0,5 A lub mniej · 10 mA 5 V DC lub więcej		—
OUT16	TBO.3 3-4	—	Sygnal Wł. termostatu grzania/chłodzenia	OFF	ON			
OUTA1	TBI.4 7-8	—	Wyjście analogowe	0 V-10 V		Maks. 0-10V DC 5mA		—

Nie podłączać do zacisków, które w kolumnie „Listwa zaciskowa” wskazane są jako „—”.

*1 Do regulacji temperatury 2 obiegów grzewczych.

*2 Do zaworu dwudrożnego, włącz/wyłącz.



Specyfikacja okablowania i części dostarczane we własnym zakresie

Poz.	Nazwa	Model i specyfikacja
Wyjście sygnałowe	Kabel	Stosować kable w oplocie, z izolacją winylową. Maks. 30 m Typ żyły: CV, CVS lub równoważne Grubość żyły: Żyła wielodrutowa 0,25 mm ² – 1,5 mm ² Żyła lita: 0,25 mm ² – 1,5 mm ²

Okablowanie TBO.1 - 4



Wskazówka:

- Gdy zasilanie elektryczne dopływa do modułu wewnętrznego bez wbudowanego zasobnika CWU z jednostki zewnętrznej, maksymalny prąd całkowity (a)+(b) wynosi 3,0 A.
- Nie podłączać większej liczby pomp obiegu grzewczego bezpośrednio do jednego wejścia (OUT1, OUT2 i OUT3). W takim przypadku należy je podłączyć poprzez przełącznik lub przełączniki.
- Nie podłączać żadnej pompy obiegu grzewczego równocześnie do TBO.1 1-2 i CNP1.
- Podłączyć do OUT10 (TBO.3 1-2) odpowiedni przewód ochronny, stosownie do podłączonego obciążenia.
- Żyła wielodrutowa powinna być wyposażona w izolowaną szynę zaciskową (wykonanie spełniające wymagania normy DIN 46228-4).
- Użyć takiego samego rozwiązania, jak w przypadku przewodu wejściowego sygnału dla okablowania OUTA1.

5.3 Okablowanie regulacji temperatury 2 obiegów grzewczych

Podłączyć przewody i własne części zgodnie z odpowiednim schematem połączeń „System lokalny” pokazanym w punkcie 3 niniejszej instrukcji.

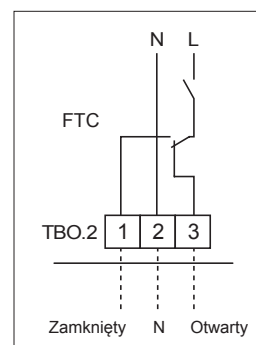
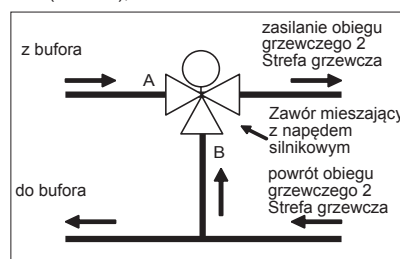
<Zawór mieszający>

Podłączyć przewód sygnałowy służący do otwierania wejścia A (wlot ciepłej wody) do TBO. 2–3 (rozwarcie), przewód sygnałowy służący do otwierania wejścia B (wlot zimnej wody) do TBO. 2–1 (zwarcie), i przewód zacisku neutralnego do TBO. 2–2 (N).

<Czujnik temperatury>

- Nie montować czujnika temperatury na zbiorniku mieszającym.
- Zamontować czujnik temperatury przepływu Strefy 2 (THW8) w pobliżu zaworu mieszającego.
- Maksymalna długość okablowania czujnika temperatury wynosi 30 m.
- Długość opcjonalnego czujnika temperatury wynosi 5 m. Gdyby zachodziła konieczność splątania i przedłużania przewodów, należy przestrzegać następujących zasad.

- Łączyć przewody przez lutowanie.
- Izolować każde miejsce łączenia przed pyłem i wodą.



5 Konfigurowanie systemu

5.4 Autonomiczna praca jednostki wewnętrznej (podczas montażu)

Przed podłączeniem jednostki zewnętrznej, tzn. podczas montażu, trybu ogrzewania lub przygotowywania ciepłej wody, można w razie potrzeby użyć grzałki elektrycznej w jednostce wewnętrznej (*1).

*1 Typ urządzenia tylko z grzałką elektryczną.

1. Aby rozpocząć pracę

- Sprawdzić, czy napięcie zasilające jednostki wewnętrznej jest wyłączone, i ustawić przełączniki DIP 4-4 i 4-5 w pozycji ON.
- Włączyć napięcie zasilające jednostki wewnętrznej.

2. Aby zakończyć pracę *2

- Wyłączyć napięcie zasilające jednostki wewnętrznej.
- Ustawić przełączniki DIP 4-4 i 4-5 w pozycji OFF.

*2 Gdy zakończona zostanie autonomiczna praca jednostki wewnętrznej, sprawdzić ustawienia po podłączeniu jednostki zewnętrznej.

Wskazówka:

Dłuższe działanie w tym trybie pracy może przyspieszyć zużycie grzałki elektrycznej.

5.5 Użytkowanie karty pamięci SD

Moduł wewnętrzny bez wbudowanego zasobnika CWU wyposażony jest w interfejs karty pamięci SD umieszczony na płycie drukowanej FTC.

Użycie karty pamięci SD pozwala na uproszczenie wykonywania ustawień w głównym sterowniku oraz rejestrowanie przebiegu pracy. *1

*1 Do modyfikowania ustawień głównego sterownika lub kontrolowania statystyk roboczych wymagane jest oprogramowanie serwisowe Ecodan (używane z komputerem PC).

<Zasady użytkowania>

- (1) Posługiwać się tylko kartami pamięci SD spełniającymi normy SD. Sprawdzić, czy na karcie pamięci SD znajduje się jeden z logotypów widocznych po prawej stronie.
- (2) Do kart pamięci spełniających normy SD należą karty z napisem SD, SDHC, miniSD, micro SD i microSDHC. Dostępne są karty o pojemności pamięci do 32 GB. Wybrać kartę, która jest odporna na maksymalną dopuszczalną temperaturę wynoszącą 55°C.
- (3) Jeśli karta pamięci SD jest typu miniSD, miniSDHC, microSD lub microSDHC, włożyć ją do adaptera o kształcie karty SD.
- (4) Na karcie pamięci SD można zapisywać dopiero po wyłączeniu blokady zapisu.



- (5) Wyłączyć system, zanim wykonana zostanie operacja wsuwania lub wysuwania karty pamięci SD. Wsuwanie lub wysuwanie karty pamięci SD w czasie, gdy system znajduje się pod napięciem, może spowodować utratę zapisanych danych lub uszkodzenie karty SD.

*Płytką drukowaną pozostaje pod napięciem jeszcze przez krótki czas od wyłączenia systemu. Poczekać z wsuwaniem lub wysuwaniem, dopóki nie zgasną wszystkie diody LED na płycie drukowanej FTC.

- (6) Procesy odczytu i zapisu testowano na następujących kartach pamięci SD. Nie gwarantujemy sprawności działania w przypadku innej specyfikacji.

Producent	Model	Data testu
Verbatim	#44015	mar 2012
SanDisk	SDSDB-002G-B35	paź 2011
Panasonic	RP-SDP04GE1K	paź 2011
Arvato	2GB PS8032 TSB 24nm MLC	cze 2012
Arvato	2GB PS8035 TSB A19nm MLC	lipiec 2014
SanDisk	SDSDUN-008G-G46	paź 2016
Verbatim	#43961	paź 2016
Verbatim	#44018	paź 2016
VANTASTEK	VSDHC08	wrz 2017

Zanim użyta zostanie karta pamięci SD (także otrzymana w zestawie z jednostką), zawsze sprawdzać, czy układ sterowania FTC jest w stanie przeprowadzać na niej operacje odczytu i zapisu.

<Testowanie procesów odczytu i zapisu>

- a) Sprawdzić, czy system podłączony jest poprawnie do napięcia zasilania. Bliższe informacje na ten temat zawiera punkt 4.4. (Nie włączać jeszcze systemu).
- b) Wsunąć kartę pamięci SD.
- c) Włączyć napięcie zasilania systemu.
- d) Gdy procesy odczytu i zapisu zakończone zostaną powodzeniem, zaświeci dioda LED4. Jeśli dioda LED4 nadal miga lub nie świeci, układ sterowania FTC nie jest w stanie przeprowadzić operacji odczytu lub zapisu na tej karcie SD.

- (7) Postępować zgodnie z instrukcjami i informacjami otrzymanymi od producenta karty SD.
- (8) Jeśli karta pamięci SD rozpoznana została jako nieczytelna w kroku (6), sformatować ją. Być może w ten sposób stanie się ona czytelna. Pobrać program do formatowania kart SD z następującej strony internetowej. Strona główna SD Association: <https://www.sdcard.org/home/>
- (9) FTC obsługuje system plików FAT, ale nie obsługuje systemu plików NTFS.
- (10) Firma Mitsubishi Electric nie odpowiada za szkody, ani w całości, ani częściowo, włącznie z brakiem możliwości zapisania danych na karcie SD, a także zniszczeniem i utratą zapisanych danych itp. Zapisane dane należy w razie potrzeby archiwizować.
- (11) Nie dotykać elementów elektronicznych na płycie drukowanej FTC podczas wsuwania lub wysuwania karty pamięci SD, ponieważ może to spowodować uszkodzenie płytki drukowanej.

Logotypy



Pojemność pamięci

2–32 GB*2

Klasy prędkości SD

Wszystkie

- Logo SD jest znakiem towarowym SD-3C, LLC.
- Logo miniSD jest znakiem towarowym SD-3C, LLC.
- Logo microSD jest znakiem towarowym SD-3C, LLC.

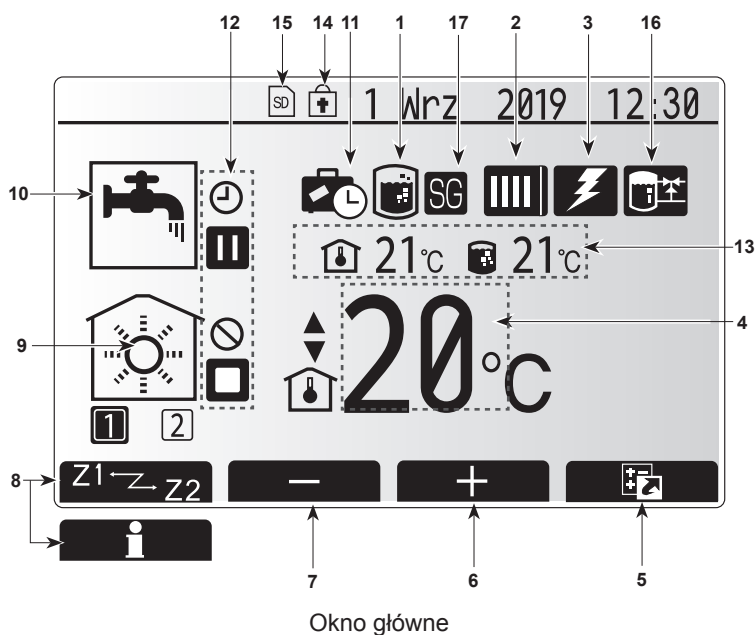
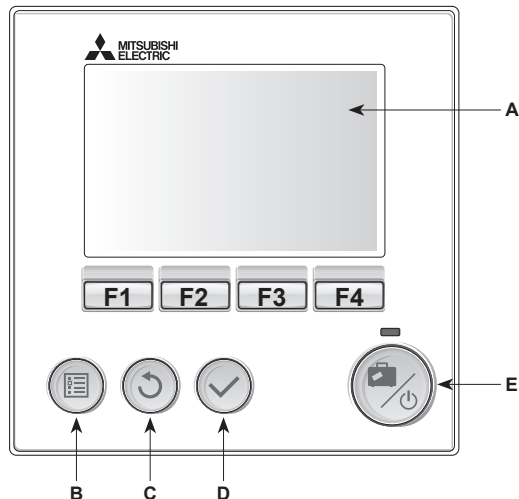
*2 Jedna karta pamięci SD o pojemności 2 GB jest wystarczająca na rejestrowanie przebiegu pracy przez maksymalnie 30 dni.

5 Konfigurowanie systemu

5.6 Główny sterownik

W celu zmiany ustawień systemu grzania/chłodzenia należy skorzystać z głównego sterownika znajdującego się na panelu czołowym modułu wewnętrzny z wbudowanym zasobnikiem CWU lub modułu wewnętrzny bez wbudowanego zasobnika CWU. Poniżej znajduje się przewodnik przeglądania głównych ustawień. W przypadku, kiedy potrzebne są dodatkowe informacje, należy skontaktować się z instalatorem lub lokalnym dystrybutorem Mitsubishi Electric.

Tryb chłodzenia dostępny jest tylko w urządzeniach serii ERS. Jednak tryb chłodzenia nie jest dostępny, jeśli jednostka wewnętrzna jest podłączona do PUAH-FRP.



Okno główne

<Elementy głównego sterownika>

Pozycja	Nazwa	Funkcja
A	Wyświetlacz	Okno, w którym wyświetlane są wszystkie informacje.
B	Menu	Dostęp do ustawień systemu podczas uruchamiania i późniejszych regulacji.
C	Wstecz	Powrót do poprzedniego menu.
D	Potwierdź	Wybieranie lub zapisywanie. (Przycisk wprowadzania)
E	Zasilanie/wakacje	Gdy system jest wyłączony, pojedyncze wciśnięcie tego przycisku powoduje włączenie systemu. Ponowne naciśnięcie, gdy system jest włączony, uaktywnia tryb wakacyjny. Przytrzymanie wciśniętego przycisku przez 3 sekundy spowoduje wyłączenie systemu. (*1)
F1-4	Przyciski funkcyjne	Do przewijania list menu i zmieniania ustawień. Ich działanie zależne jest od menu widocznego na wyświetlaczu A.

*1 W przypadku wyłączenia systemu lub przerwania dopływu zasilania elektrycznego zabezpieczenia jednostki wewnętrznej (np. funkcja stat. zamarz.) nie działają.

Należy pamiętać o tym, że jednostka wewnętrzna może ulec uszkodzeniu, gdy te zabezpieczenia nie są aktywne.

<Symbole w menu głównym>

	Symbol	Opis														
1	Program zwalczania legionelli	Gdy widoczny jest ten symbol, aktywny jest program zwalczania legionelli.														
2	Pompa ciepła	<table border="1"> <tr> <td></td> <td>Normalny tryb pracy</td> </tr> <tr> <td></td> <td>Odszranianie</td> </tr> <tr> <td></td> <td>Tryb awaryjny</td> </tr> <tr> <td></td> <td>„Tryb cichy” jest aktywowany.</td> </tr> </table>		Normalny tryb pracy		Odszranianie		Tryb awaryjny		„Tryb cichy” jest aktywowany.						
	Normalny tryb pracy															
	Odszranianie															
	Tryb awaryjny															
	„Tryb cichy” jest aktywowany.															
3	Ogrzewanie elektryczne	Gdy widoczny jest ten symbol, działa „ogrzewanie elektryczne” (grzałka elektryczna lub zanurzeniowa grzałka elektryczna).														
4	Temperatura docelowa	<table border="1"> <tr> <td></td> <td>Zadana temperatura zasilania</td> </tr> <tr> <td></td> <td>Zadana temperatura wnętrza</td> </tr> <tr> <td></td> <td>Charakterystyka cieplna</td> </tr> </table>		Zadana temperatura zasilania		Zadana temperatura wnętrza		Charakterystyka cieplna								
	Zadana temperatura zasilania															
	Zadana temperatura wnętrza															
	Charakterystyka cieplna															
5	OPCJA	Naciśnięcie przycisku funkcyjnego znajdującego się pod tym symbolem powoduje wyświetlenie menu przeglądu.														
6	+	Podwyższenie wymaganej temperatury														
7	-	Obniżenie wymaganej temperatury														
8	Z1 Z2	Naciskanie przycisku funkcyjnego znajdującego się pod tym symbolem powoduje przełączanie obiegów grzewczych 1 i 2.														
	Informacja	Naciśnięcie przycisku funkcyjnego znajdującego się pod tym symbolem powoduje wyświetlenie ekranu informacyjnego.														
9	Tryb ogrzewania/chłodzenia pomieszczeń	<table border="1"> <tr> <td></td> <td>Tryb ogrzewania</td> </tr> <tr> <td></td> <td>Obieg grzewczy 1 lub obieg grzewczy 2</td> </tr> <tr> <td></td> <td>Tryb chłodzenia</td> </tr> <tr> <td></td> <td>Obieg grzewczy 1 lub obieg grzewczy 2</td> </tr> </table>		Tryb ogrzewania		Obieg grzewczy 1 lub obieg grzewczy 2		Tryb chłodzenia		Obieg grzewczy 1 lub obieg grzewczy 2						
	Tryb ogrzewania															
	Obieg grzewczy 1 lub obieg grzewczy 2															
	Tryb chłodzenia															
	Obieg grzewczy 1 lub obieg grzewczy 2															
10	Tryb ciepłej wody	Tryb normalny lub ECO														
11	Tryb wakacyjny	Gdy widoczny jest ten symbol, aktywny jest „tryb wakacyjny”.														
12		<table border="1"> <tr> <td></td> <td>Program czasowy</td> </tr> <tr> <td></td> <td>Zablokowany</td> </tr> <tr> <td></td> <td>Sterowanie przez serwer</td> </tr> <tr> <td></td> <td>Czwanie</td> </tr> <tr> <td></td> <td>Czwanie (*2)</td> </tr> <tr> <td></td> <td>Zatrzymanie</td> </tr> <tr> <td></td> <td>W ruchu</td> </tr> </table>		Program czasowy		Zablokowany		Sterowanie przez serwer		Czwanie		Czwanie (*2)		Zatrzymanie		W ruchu
	Program czasowy															
	Zablokowany															
	Sterowanie przez serwer															
	Czwanie															
	Czwanie (*2)															
	Zatrzymanie															
	W ruchu															
13	Bieżąca temperatura	<table border="1"> <tr> <td></td> <td>Bieżąca temperatura wnętrza</td> </tr> <tr> <td></td> <td>Bieżąca temperatura wody w zasobniku ciepłej wody użytkowej</td> </tr> </table>		Bieżąca temperatura wnętrza		Bieżąca temperatura wody w zasobniku ciepłej wody użytkowej										
	Bieżąca temperatura wnętrza															
	Bieżąca temperatura wody w zasobniku ciepłej wody użytkowej															
14		Przycisk menu jest zablokowany lub dezaktywowano przełączanie trybu pracy między trybem CWU i ogrzewania w oknie opcji. (*3)														
15		Włożona jest karta pamięci SD (NIE dla użytkownika).														
16	Sterowanie zbiornikiem buforowym	Gdy widoczny jest ten symbol, aktywne jest „Sterowanie zbiornikiem buforowym”.														
17	Inteligentna sieć gotowa	Gdy widoczny jest ten symbol, aktywna jest funkcja „Inteligentna sieć gotowa”.														

*2 Ta jednostka znajduje się w trybie czuwania, gdy inne jednostki wewnętrzne, zależnie od priorytetu, znajdują się w ruchu.

*3 Menu można blokować i odblokowywać, przytrzymując wciśnięte równocześnie przyciski WSTECZ i POTWIERDŹ przez 3 sekundy.

5 Konfigurowanie systemu

■ [Kreator nastaw wstępnych]

Kiedy główny sterownik jest włączany po raz pierwszy, ekran automatycznie zmieni się na ekran ustawień języka, ekran ustawień daty/godziny oraz ekran menu ustawień głównych. Wprowadzić wymaganą wartość za pomocą przycisków funkcyjnych i nacisnąć przycisk POTWIERDŹ.

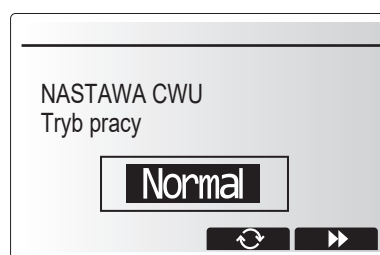
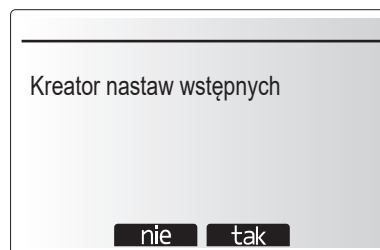
Wskazówka:

<[OGRANICZENIE WYDAJNOŚCI GRZAŁKI]>

To ustawienie ogranicza wydajność grzałki elektrycznej. NIE jest możliwa zmiana ustawień po uruchomieniu.

Jeżeli nie ma wymagań specjalnych (takich jak przepisy dotyczące budynku) w Państwa kraju, proszę pominąć te ustawienia (wybrać „Nie”).

- [Ciepła woda (CWU/Legionella)]
- [Grzanie]/[Chłodzenie]
- [Tryb pracy (WŁ./NIEDOZWOLONE/PROGRAMATOR)]
- [Obroty pompy]
- [Zakres przepływu pompy ciepła]
- [Reg zaworu mieszającego]
- [OGR. WYDAJNOŚCI GRZAŁKI]



■ Menu główne

Menu ustawień głównych można wywołać, naciskając przycisk MENU. Aby ustawienia nie zostały przypadkowo zmienione przez nieprzeszkolonego użytkownika, istnieją dwa poziomy dostępu do ustawień głównych; menu serwisowe jest chronione hasłem.

Poziom użytkownika — nacisnąć

Gdy przycisk MENU zostanie naciśnięty, ale bez przytrzymywania go, ustawienia główne zostaną wyświetlone, ale nie będzie można ich zmienić. Umożliwia to użytkownikowi wgląd w bieżące ustawienia, ale bez zmieniania parametrów.

Poziom instalatora — przytrzymać

Gdy przycisk menu będzie przytrzymywany przez 3 s, wyświetlone zostaną ustawienia główne wraz ze wszystkimi dostępnymi funkcjami.

Kolor przycisków ◀▶ jest odwrócony zgodnie z rysunkiem z prawej strony. <Rys. 5.6.1>.

Następujące ustawienia można (zależnie od poziomu dostępu) odczytywać lub także modyfikować.

- [Ciepła woda użytkowa (CWU)]
- [Grzanie] / [Chłodzenie]
- [Program czasowy]
- [Tryb wakacyjny]
- [Ustawienia podstawowe]
- [Serwis (chronione hasłem)]



Menu główne



<Rysunek 5.6.1>

5 Konfigurowanie systemu

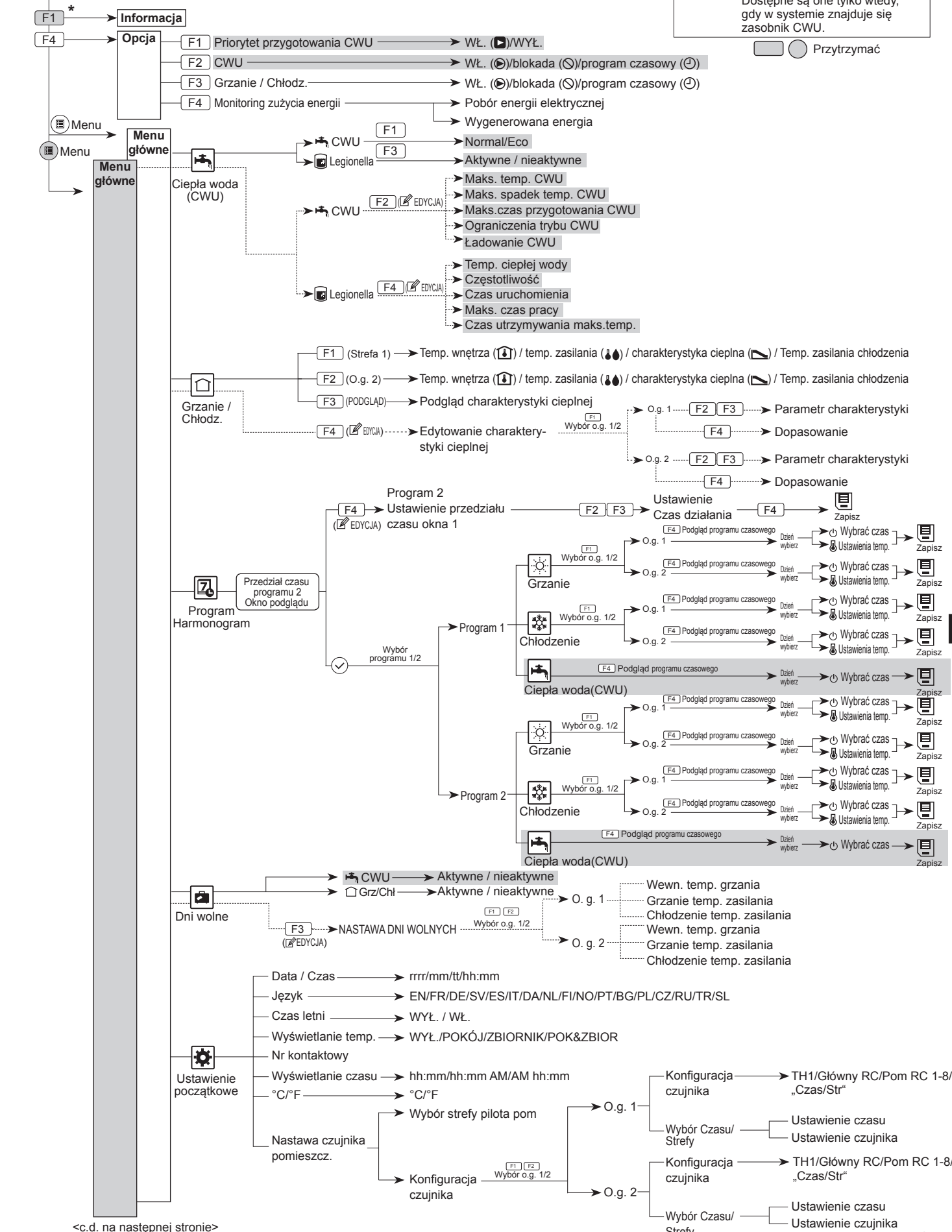
<Podmenu głównego sterownika>

Miejsce rozpoczęcia

Menu główne

* Nacisnąć, aby przejść do 1. obiegu grzewczego.

— Dostęp bez ograniczeń
 - - - - - Tylko instalator
 ■ Zaciemnione funkcje dotyczą funkcji CWU. Dostępne są one tylko wtedy, gdy w systemie znajduje się zasobnik CWU.
 □ Przytrzymać



<c.d. na następnej stronie>

5 Konfigurowanie systemu

<c.d. z poprzedniej strony>

<Podmenu głównego sterownika>

Miejsce rozpoczęcia

Menu główne



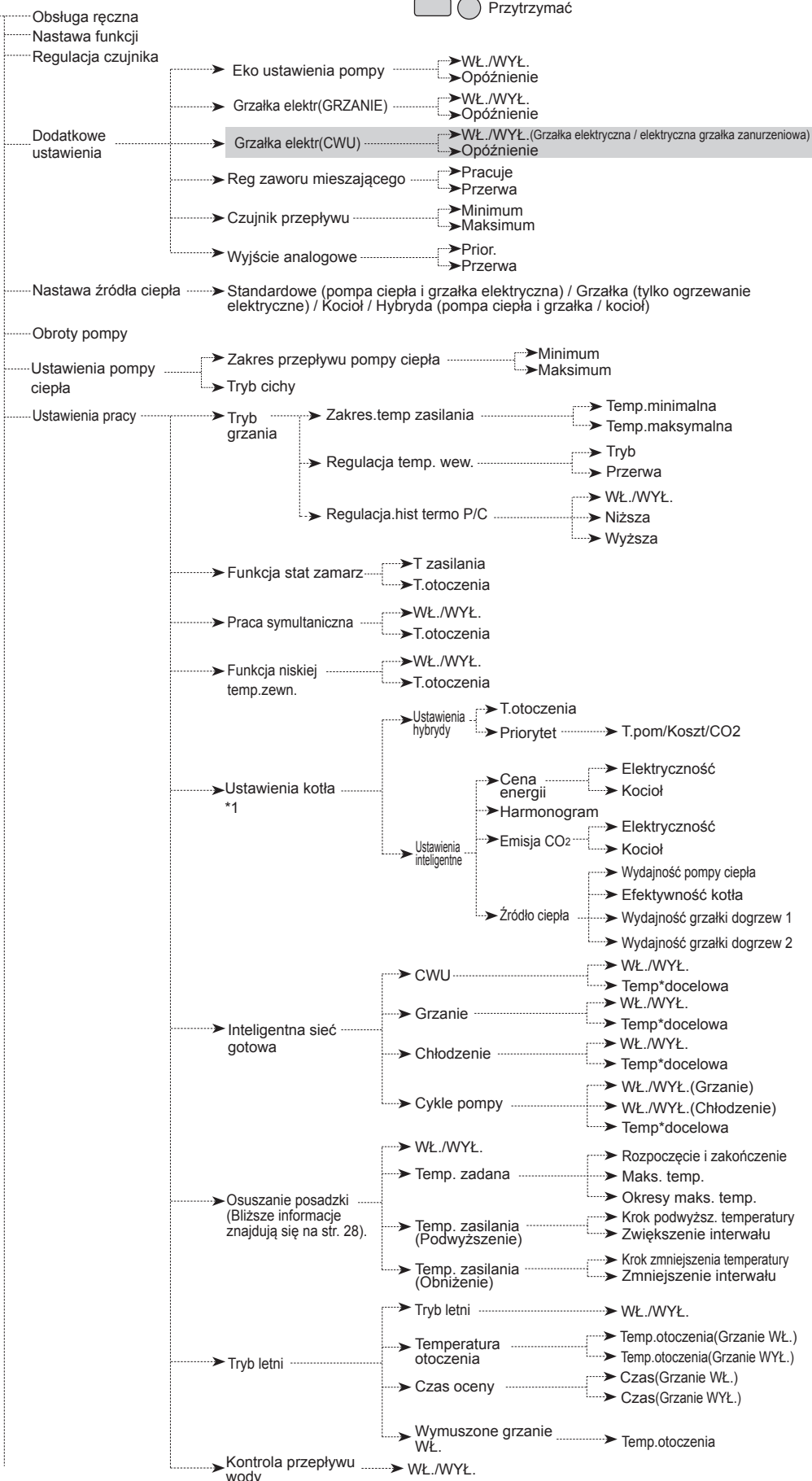
Menu główne



Serwis
Ochrona
hasłem

— Dostęp bez ograniczeń
 - - - - - Tylko instalator
 ■ Zacieniowane funkcje dotyczą funkcji CWU. Dostępne są one tylko wtedy, gdy w systemie znajduje się zasobnik CWU.

□ ○ Przytrzymać



<c.d. na następnej stronie>

*1 Bliższe informacje na ten temat zawiera instrukcja montażu PAC-TH012HT(L)-E.

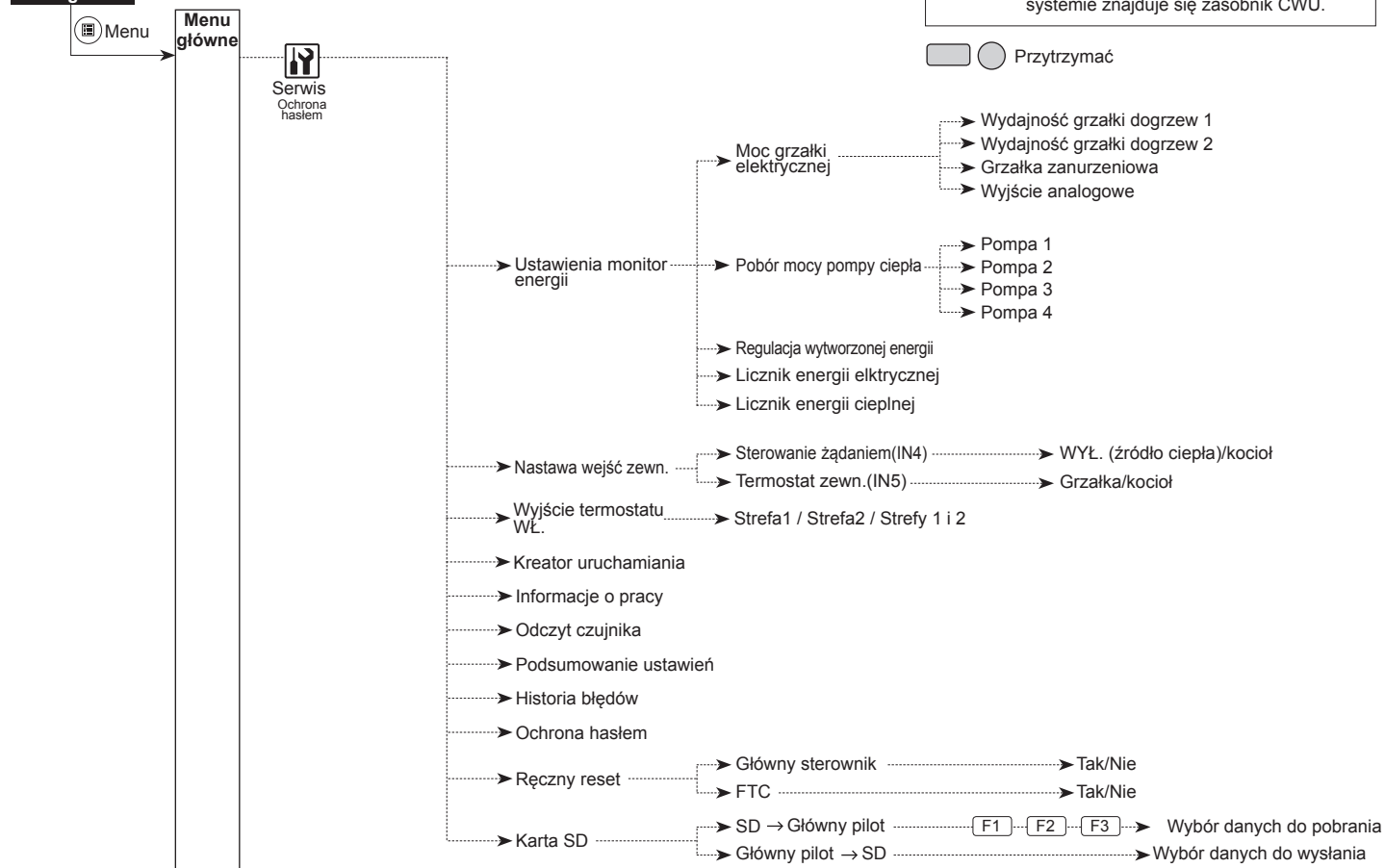
5 Konfigurowanie systemu

<c.d. z poprzedniej strony>

<Podmenu głównego sterownika>

Miejsce rozpoczęcia

Menu główne

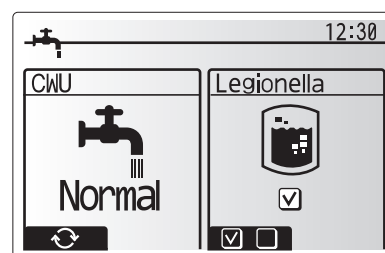


Ciepła woda użytkowa / zwalczanie legionelli

Menu ciepłej wody użytkowej i zwalczania legionelli sterują działaniem podgrzewania zasobnika CWU.

<Ustawienia trybu CWU>

1. Wyróżnić symbol ciepłej wody i nacisnąć przycisk POTWIERDŹ.
2. Przycisk F1 działa jako przełącznik między normalnym trybem ogrzewania a trybem ogrzewania ECO.
3. Aby wyregulować działanie trybu, należy nacisnąć i przytrzymać przez 3 sekundy przycisk MENU, a następnie wybrać opcję „Ciepła woda”.
4. Nacisnąć przycisk F2, aby wyświetlone zostało menu „Ustawienia ciepłej wody”.
5. Listę menu można przewijać za pomocą przycisków F2 i F3 oraz wybierać poszczególne opcje, naciskając przycisk POTWIERDŹ. Dostępne ustawienia opisane są w poniższej tabeli.
6. Wprowadzić wymaganą wartość za pomocą przycisków funkcyjnych i nacisnąć przycisk POTWIERDŹ.



Pozycja menu	Funkcja	Zakres	Jednostka	Wartość standardowa
Maks. temp. CWU	Wymagana temperatura ciepłej wody w zasobniku	40–60	°C	50
Maks. różnica temp. CWU	Różnica między maks. temperaturą CWU, a temperaturą, przy której uruchamiany jest tryb CWU	5–30 *	°C	10
Maks. czas pracy CWU	Maksymalny dopuszczalny czas podgrzewania wody w zasobniku w trybie CWU	30–120	min	60
Blokada trybu CWU	Czas po użyciu trybu CWU, przez który ogrzewanie pomieszczeń ma pierwszeństwo przed trybem CWU, przez co tymczasowo zablokowane jest dalsze podgrzewanie wody w zasobniku (Dopiero, gdy upłynie maksymalny czas pracy CWU).	30–120	min	30

* Kiedy temperatura maks. CWU jest ustawiona na ponad 55°C, temperatura przy której uruchamia się ponownie tryb CWU musi być niższa niż 50°C, w celu ochrony urządzenia.

<Tryb Eco>

Przygotowanie CWU może się odbywać w trybie „normalnym” lub „Eco”. W trybie normalnym woda w zasobniku CWU podgrzewana jest z pełną mocą pompy ciepła. W trybie Eco podgrzewanie wody w zasobniku CWU zabiera nieco więcej czasu, ale zużycie energii jest mniejsze. Wynika to z tego, że działanie pompy ciepła ograniczane jest za pomocą sygnałów z FTC, które uwarunkowane są wynikiem pomiaru temperatury w zasobniku CWU.

Wskazówka: Faktyczna oszczędność energii w trybie Eco zależy od temperatury zewnętrznej.

<[Ładowanie CWU]>

Wybór ilości CWU. Jeżeli potrzeba więcej wody gorącej, wybrać DUŻE.

Wrócić do menu CWU / zwalczanie legionelli.

pl

5 Konfigurowanie systemu

Ustawienia trybu Antylegionella (tryb AL)

1. Za pomocą przycisku F3 (TAK/NIE) wybrać, czy ma być uaktywnione zwalczanie legionelli.
2. Aby wyregulować działanie funkcji zwalczania legionelli, przytrzymać przycisk MENU przez 3 sekundy, wybrać „Ciepła woda” i nacisnąć przycisk F4.
3. Listę menu można przewijać za pomocą przycisków F1 i F2 oraz wybierać poszczególne pozycje menu, naciskając przycisk POTWIERDŹ. Dostępne ustawienia opisane są w poniższej tabeli.
4. Wprowadzić wymaganą wartość za pomocą przycisków funkcyjnych i nacisnąć przycisk POTWIERDŹ.

W trybie Antylegionella temperatura wody w zasobniku podnoszona jest powyżej poziomu 60°C, aby zahamować rozwój bakterii Legionella. Powinno to się odbywać regularnie. Częstotliwość wykonywania tej operacji należy dostosować do wymogów miejscowych przepisów.

Należy pamiętać, że w trybie AL dopływ energii z pompy ciepła uzupełniany jest za pomocą grzałek elektrycznych. Podgrzewanie wody przez dłuższy czas jest nieefektywne i podwyższy koszty eksploatacji. Instalator musi starannie wyważyć między koniecznością zwalczania legionelli a zapobieganiem niepotrzebnemu zużyciu energii wskutek zbyt długiego podgrzewania wody w zasobniku. Użytkownik końcowy powinien rozumieć, jak ważna jest ta funkcja.

NALEŻY ZAWSZE PRZESTRZEGAĆ MIEJSCOWYCH I KRAJOWYCH WYMOGÓW DOTYCZĄCYCH ZWALCZANIA LEGIONELLI.

Wskazówka: Jeśli występują usterki w module wewnętrznym bez wbudowanego zasobnika CWU, tryb AL może nie działać poprawnie.

Pozycja menu	Funkcja	Zakres	Jednostka	Wartość standardowa
Temp. ciepłej wody	Wymagana temperatura ciepłej wody w zasobniku	60–70	°C	65
Częstość	Czas między operacjami podgrzewania zasobnika CWU w trybie AL	1–30	Dzień	15
Godzina rozpoczęcia	Moment, kiedy zaczyna działać tryb AL	0:00–23:00	-	03:00
Maks. czas pracy	Maksymalny dopuszczalny czas podgrzewania zasobnika CWU w trybie AL	1–5	Godzina	3
Czas w maks. temp.	Czas po którym wymagana temperatura wody trybu AL została osiągnięta	1–120	Minuta	30

[Ustawienia podstawowe]

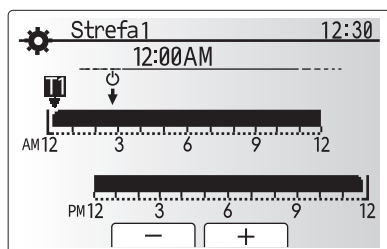
Z poziomu ustawień podstawowych instalator może wykonywać następujące ustawienia:

- [Data / godzina]
- [Język]
- [Czas letni]
- [Wskaźnik temperatury]
- [Numer kontaktowy]
- [Zegar]
- [°C/°F]
- [Ustawienia czujnika pokojowego]

Podczas konfigurowania należy postępować w sposób opisany w ogólnej obsłudze.

<Ustawienia czujnika pokojowego>

Podczas ustawiania czujnika pokojowego istotne jest, aby wybrać odpowiedni czujnik pokojowy zależnie od trybu ogrzewania, w którym ma pracować system.



Menu ustawień czasu / obiegu grzewczego

Pozycja menu	Opis																				
Wybór Zdalny sterownik Obieg grzewczy	Gdy aktywna jest regulacja temperatury 2 obiegów grzewczych i używane są zdalne sterowniki, należy wybrać w oknie wyboru obiegu grzewczego numery obiegu grzewczego, które przyporządkowane zostaną poszczególnym zdalnym sterownikom.																				
Ustawienie czujnika	Wybrać w oknie ustawień czujnika czujnik pokojowy, który ma służyć do monitorowania temperatury wnętrza osobno obiegu grzewczego 1 i obiegu grzewczego 2. <table border="1" data-bbox="954 1039 1476 1395"> <thead> <tr> <th rowspan="2">Rodzaj regulacji (Podręcznik strony internetowej)</th> <th colspan="2">Odpowiednie ustawienia podstawowe czujnika pokojowego</th> </tr> <tr> <th>Obieg grzewczy 1</th> <th>Obieg grzewczy 2</th> </tr> </thead> <tbody> <tr> <td>A</td> <td>Zdalny sterownik 1–8 (po jednym dla obiegu grzewczego 1 i obiegu grzewczego 2)</td> <td>*1</td> </tr> <tr> <td>B</td> <td>TH1</td> <td>*1</td> </tr> <tr> <td>C</td> <td>Główny sterownik</td> <td>*1</td> </tr> <tr> <td>D</td> <td>*1</td> <td>*1</td> </tr> <tr> <td>Jeśli stosowane są różne czujniki pokojowe zależnie od sterowania czasowego</td> <td>Czas/obieg grzewczy*2</td> <td>*1</td> </tr> </tbody> </table>	Rodzaj regulacji (Podręcznik strony internetowej)	Odpowiednie ustawienia podstawowe czujnika pokojowego		Obieg grzewczy 1	Obieg grzewczy 2	A	Zdalny sterownik 1–8 (po jednym dla obiegu grzewczego 1 i obiegu grzewczego 2)	*1	B	TH1	*1	C	Główny sterownik	*1	D	*1	*1	Jeśli stosowane są różne czujniki pokojowe zależnie od sterowania czasowego	Czas/obieg grzewczy*2	*1
Rodzaj regulacji (Podręcznik strony internetowej)	Odpowiednie ustawienia podstawowe czujnika pokojowego																				
	Obieg grzewczy 1	Obieg grzewczy 2																			
A	Zdalny sterownik 1–8 (po jednym dla obiegu grzewczego 1 i obiegu grzewczego 2)	*1																			
B	TH1	*1																			
C	Główny sterownik	*1																			
D	*1	*1																			
Jeśli stosowane są różne czujniki pokojowe zależnie od sterowania czasowego	Czas/obieg grzewczy*2	*1																			
	*1. Nie podawać (gdy stosowany jest własny termostat wewnętrzny) zdalnego sterownika 1–8 (po jednym dla obiegu grzewczego 1 i obiegu grzewczego 2) (gdy zdalny sterownik pełni funkcję termostatu wewnętrznego)																				
	*2. Wybrać w oknie ustawień czujnika czas / obieg grzewczy, aby można było używać różnych czujników pokojowych zgodnie ze sterowaniem czasowym ustawionym w menu wyboru czasu / obiegu grzewczego. Czujniki pokojowe mogą być przełączane czterokrotnie w ciągu 24 godzin.																				

5 Konfigurowanie systemu

[Menu serwisowe]

Menu serwisowe zawiera funkcje przeznaczone dla instalatora lub serwisu. Zmiananie ustawień w tym menu przez użytkownika NIE jest wskazane. Z tego względu wymagana jest ochrona hasłem, aby uniemożliwić nieuprawniony dostęp do ustawień serwisowych.

Fabrycznie ustawione hasło to „0000”.

Podczas konfigurowania należy postępować w sposób opisany w ogólnej obsłudze.

Wielu funkcji jest niedostępnych, dopóki działa jednostka wewnętrzna. Aby ustawić te funkcje, należy najpierw wyłączyć jednostkę wewnętrzną. Gdy instalator spróbuje zmienić te ustawienia podczas pracy jednostki, komunikat w głównym sterowniku przypomni instalatorowi o tym, aby zakończyć jej działanie, aby móc kontynuować pracę. Wybór opcji „Tak” spowoduje zakończenie działania jednostki.

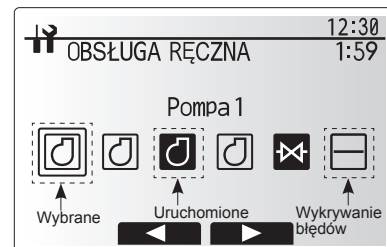
<[Tryb ręczny]>

W czasie napełniania systemu można przejść kontrolę nad pompą obiegu pierwotnego i zaworem 3 drogowym w trybie obsługi ręcznej.

Gdy wybrany jest tryb obsługi ręcznej, w oknie wyświetlany jest mały symbol programatora. Po wybraniu funkcja pozostaje w trybie obsługi ręcznej maksymalnie przez 2 godziny. Ma to zapobiegać przypadkowemu przejściu kontroli nad FTC na stałe.

► Przykład

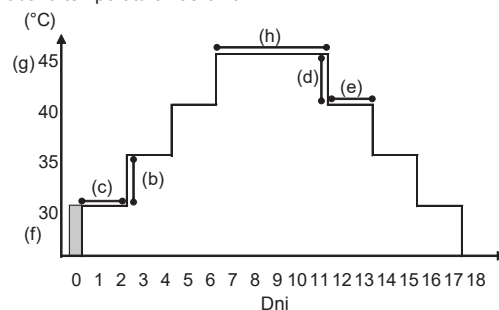
Naciśnięcie przycisku F3 powoduje włączenie trybu obsługi ręcznej zaworu 3-drogowego. Gdy wypełniony zostanie zbiornik CWU, instalator powinien wrócić do tego menu i dezaktywować tryb obsługi ręcznej, naciskając F3. W przeciwnym razie tryb obsługi ręcznej wyłączony zostanie po 2 godzinach i FTC może ponownie przejść kontrolę nad module wewnętrznym bez wbudowanego zasobnika CWU.



Okno menu trybu ręcznego

Trybu ręcznego i ustawień źródła ciepła nie można wybierać podczas pracy systemu. Wyświetlone zostanie wtedy okno z informacją, że instalator musi zatrzymać system, aby móc uaktywnić te tryby. Zatrzymanie systemu następuje automatycznie po 2 godzinach od wykonania ostatniej operacji.

Zadana temperatura zasilania



<[Funkcja suszenia jastrychu]>

Funkcja suszenia jastrychu zmienia zadaną temperaturę ciepłej wody stopniowo, aby jastrych wysychał równomiernie, gdy zamontowane jest ogrzewanie podłogowe. Gdy zakończone zostanie działanie w tym trybie, system zatrzymuje wszystkie tryby pracy z wyjątkiem zabezpieczenia przeciwzamrożeniowego.

W czasie działania funkcji suszenia jastrychu zadana temperatura zasilania w obiegu grzewczym 1 jest taka sama jak w obiegu grzewczym 2.

- Ta funkcja jest niedostępna, gdy podłączona jest jednostka zewnętrzna PUHZ-FRP.
- Podłączyć przewody do zewnętrznych wejść termostatu wewnętrznego, sterowania zapotrzebowaniem i zewnętrznego termostatu, ponieważ inaczej nie będzie można osiągnąć zadanej temperatury zasilania.

Funkcje	Symbol	Opis	Opcja/zakres	Jednostka	Standardowe ustawienie
Funkcja suszenia jastrychu	a	Włączyć tę funkcję i włączyć system za pomocą głównego sterownika; uruchomiony zostanie tryb suszenia.	Wł./Wył.	—	Wył.
Temp. zasilania (Podwyższenie)	b	Ustawienie kroku podwyższenia zadanej temperatury zasilania.	+1 – +10	°C	+5
	c	Ustawienie przedziału czasu, przez który utrzymywana ma być ta sama zadana temperatura zasilania.	1 – 7	Dzień	2
Temp. zasilania (Obniżenie)	d	Ustawienie kroku obniżenia zadanej temperatury zasilania.	-1 – -10	°C	-5
	e	Ustawienie przedziału czasu, przez który utrzymywana ma być ta sama zadana temperatura zasilania.	1 – 7	Dzień	2
Temperatura zadana	f	Ustawienie zadanej temperatury zasilania na początku i na końcu pracy.	20–60	°C	30
	g	Ustawienie maksymalnej zadanej temperatury zasilania.	20–60	°C	45
	h	Ustawienie przedziału czasu, przez który utrzymywana ma być maksymalna zadana temperatura zasilania.	1 – 20	Dzień	5

<[Ochrona za pomocą hasła]>

Ochrona za pomocą hasła służy do uniemożliwienia dostępu osób nieuprawnionych i nieprzeszkolonych do menu serwisowego.

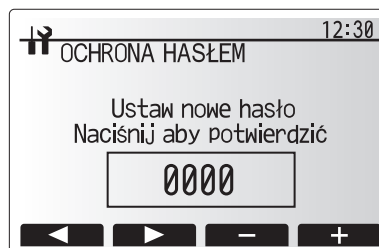
Resetowanie hasła

Jeśli użytkownik zapomni wprowadzone przez siebie hasło lub serwisuje jednostkę, której sam nie montował, może przywrócić fabrycznie ustawione hasło 0000.

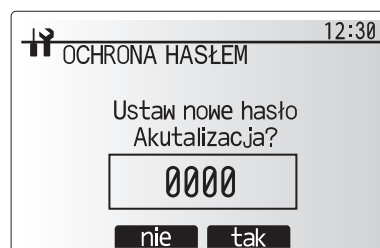
1. Przewijać menu z ustawieniami głównymi funkcji, aż podświetlone zostanie menu serwisowe.
2. Naciśnąć POTWIERDŹ.
3. Wyświetlona zostanie prośba o wpisanie hasła.
4. Przytrzymać wciśnięte przyciski F3 i F4 przez 3 s.
5. Wyświetlone zostanie pytanie, czy kontynuować i przywrócić domyślne hasło.
6. Naciśnąć przycisk F3, aby zresetować.
7. Przywrócone zostało hasło 0000.

<[Ręczne resetowanie]>

Gdyby kiedykolwiek zaszła potrzeba przywrócenia ustawień fabrycznych, można to zrobić poprzez funkcję ręcznego resetowania. Należy podkreślić, że w ten sposób przywracane są domyślne wartości WSZYSTKICH funkcji.



Okno wpisywania hasła



Okno wpisywania hasła

6 Przeglądy i usuwanie usterek

Raz w roku wykwalifikowana osoba musi przeprowadzić przegląd module wewnętrznego bez wbudowanego zasobnika CWU. Przeglądy i naprawy jednostki zewnętrznej muszą być wykonywane przez wyszkolonego instalatora Mitsubishi Electric, który dysponuje niezbędnymi kwalifikacjami i doświadczeniem. Prace w obrębie instalacji elektrycznej mogą być wykonywane tylko przez wykwalifiko-

wanego elektryka. Dokonywanie napraw lub modyfikacji „na własną rękę” przez nieuprawnioną osobę może unieważnić gwarancję i/lub spowodować uszkodzenie modułu wewnętrznego bez wbudowanego zasobnika CWU oraz obrażenia ciała.

■ Kody usterek

Kod	Usterka	Działanie
L3	Zabezpieczenie przed przegrzaniem obiegu grzewczego	Prędkość przepływu może być obniżona. Sprawdzić, czy występują następujące problemy: • Wyciek wody • Zapchany zawór odcinający odmulacza • Niepoprawne działanie pompy obiegu grzewczego (ten kod usterki może zostać wyświetlony podczas napełniania obiegu pierwotnego; jeśli kontynuowane będzie napełnianie, kod usterki zniknie).
L4	Zabezpieczenie przed przegrzaniem zasobnika CWU	Skontrolować elektryczną grzałkę zanurzeniową (CWU) oraz jej wyłącznik instalacyjny.
L5	Awaria czujnika temperatury jednostki wewnętrznej (THW1, THW2, THW5B, THW6, THW7, THW8, THW9)	Skontrolować rezystancję czujników temperatury.
L6	Zabezpieczenie przeciwzamrożeniowe obiegu grzewczego	Patrz opis działania do kodu L3
L8	Niepoprawne działanie w trybie ogrzewania	Sprawdzić i ponownie podłączyć czujniki temperatury, które mogły się odłączyć.
L9	Wykrycie niskiego strumienia przepływu w obiegu pierwotnym przez czujnik przepływu (czujniki przepływu 1, 2, 3)	Patrz opis działania do kodu L3. Jeśli nie działa sam czujnik przepływu, wymienić go na nowy. UWAGA: Zawory pompy mogą być gorące, należy zachować ostrożność.
LA	Awaria czujnika ciśnienia	Sprawdzić, czy przewód czujnika ciśnienia jest w dobrym stanie i poprawnie podłączony.
LB	Zabezpieczenie przed wysokim ciśnieniem	• Prędkość przepływu w obiegu grzania może być obniżona. Sprawdzić obieg wody. • Płytkowy wymiennik ciepła może być zablokowany. Sprawdzić płytkowy wymiennik ciepła. • Awaria jednostki zewnętrznej. Patrz instrukcja serwisowa jednostki zewnętrznej.
LC	Zabezpieczenie przed przegrzaniem obiegu kotła	Sprawdzić, czy zadana temperatura kotła podczas grzania przekracza wartość graniczną. (Patrz instrukcja do czujnika temperatury „PAC-TH012HT-E”) Prędkość przepływu obiegu grzewczego z kotła może być obniżona. Sprawdzić, czy występują następujące problemy: • Wyciek wody • Zapchany zawór odcinający odmulacza • Niepoprawne działanie pomp obiegu grzewczego.
LD	Awaria czujnika temperatury kotła (THWB1)	Skontrolować rezystancję czujników temperatury.
LE	Niepoprawne działanie w trybie kotła	Patrz opis działania do kodu L8. Skontrolować stan kotła.
LF	Awaria czujnika przepływu	Sprawdzić, czy kabel czujnika przepływu jest w dobrym stanie i poprawnie podłączony.
LH	Zabezpieczenie przeciwzamrożeniowe obiegu kotła	Prędkość przepływu obiegu grzewczego z kotła może być obniżona. Sprawdzić, czy występują następujące problemy: • Wyciek wody • Zapchany zawór odcinający odmulacza • Niepoprawne działanie pomp obiegu grzewczego.
LJ	Niepoprawne działanie w trybie CWU (typu zewnętrznej płyty HEX)	• Skontrolować przyłącze dolnego czujnika temperatury wody w zbiorniku CWU (THW5B). • Prędkość przepływu w obiegu wody sanitarnej może być obniżona. • Skontrolować sprawność pomp obiegu grzewczego. (obieg pierwotny / wody sanitarnej)
LL	Niepoprawne ustawienia przełącznika DIP na płycie drukowanej FTC.	W przypadku trybu kotła sprawdzić, czy przełącznik DIP SW1-1 ustawiony jest w pozycji ON (z kotłem) i przełącznik DIP SW2-6 ustawiony jest w pozycji ON (z buforem). W przypadku regulacji temperatury 2 obiegów grzewczych sprawdzić, czy przełącznik DIP SW2-7 ustawiony jest w pozycji ON (praca z 2 obiegami grzewczymi) i przełącznik DIP SW2-6 ustawiony jest w pozycji ON (z buforem).
LP	Poza zakresem natężenia przepływu wody dla jednostki zewnętrznej pompy ciepła	Sprawdzić instalację – Tabela 4.3.1 Sprawdzić ustawienia sterownika zdalnego (Menu Serwis / Zakres przepływu pompy ciepła) Patrz opis działania do L3.
P1	Czujnik temperatury (temperatura wnętrza) (TH1) Awaria	Skontrolować rezystancję czujnika temperatury.
P2	Czujnik temperatury (dot. temperatury cieczy) (TH2) Awaria	Skontrolować rezystancję czujnika temperatury.
P6	Zabezpieczenie przeciwzamrożeniowe płytowego wymiennika ciepła	Patrz opis działania do kodu L3 Sprawdzić, czy ilość czynnika chłodniczego jest poprawna.
J0	Brak komunikacji między FTC a zdalnym odbiornikiem	Sprawdzić, czy kabel przyłączeniowy jest w dobrym stanie i poprawnie podłączony.
J1 – J8	Brak komunikacji między bezprzewodowym odbiornikiem a bezprzewodowym sterownikiem.	Sprawdzić, czy bateria w zdalnym sterowniku jest wyczerpana. Skontrolować współdziałanie zdalnego odbiornika i zdalnego sterownika. Skontrolować komunikację bezprzewodową. (Patrz instrukcja systemu bezprzewodowego)
E0 – E5	Brak komunikacji między głównym sterownikiem a FTC	Sprawdzić, czy kabel przyłączeniowy jest w dobrym stanie i poprawnie podłączony.
E6 – EF	Brak komunikacji między FTC a jednostką zewnętrzną	Sprawdzić, czy jednostka zewnętrzna jest wyłączona. Sprawdzić, czy kabel przyłączeniowy jest w dobrym stanie i poprawnie podłączony. Patrz instrukcja serwisowa jednostki zewnętrznej.
E9	Jednostka zewnętrzna nie odbiera sygnału od jednostki wewnętrznej.	Sprawdzić, czy włączone są obie jednostki. Sprawdzić, czy kabel przyłączeniowy jest w dobrym stanie i poprawnie podłączony. Patrz instrukcja serwisowa jednostki zewnętrznej.
EE	Błąd połączenia między FTC a jednostką zewnętrzną	Sprawdzić połączenie FTC i jednostki zewnętrznej.
U*, F*	Awaria jednostki zewnętrznej	Patrz instrukcja serwisowa jednostki zewnętrznej.
A*	Błąd komunikacji M-NET	Patrz instrukcja serwisowa jednostki zewnętrznej.

Wskazówka: W celu skasowania kodu usterki należy wyłączyć system (nacisnąć przycisk F4 (RESET) na głównym sterowniku).

6 Przeglądy i usuwanie usterek

Przeгляд roczny

Co najmniej raz w roku specjalista posiadający niezbędne kwalifikacje musi przeprowadzić przegląd module wewnętrznym bez wbudowanego zasobnika CWU. Powinny być stosowane WYŁĄCZNIKI oryginalne części zamienne Mitsubishi Electric (względny bezpieczeństwa).

NIGDY nie obchodzić urządzeń zabezpieczających ani nie włączać jednostki, gdy te urządzenia nie są całkowicie sprawne.

Wskazówka

- Po kilku miesiącach od montażu należy wymontować i umyć zawór odcinający odmulacza module wewnętrznym bez wbudowanego zasobnika CWU oraz ewentualnie inne zawory odcinające odmulacza, które zamontowane zostały poza module wewnętrznym bez wbudowanego zasobnika CWU. Jest to szczególnie istotne podczas prac montażowych wykonywanych na starej/istniejącej instalacji.
- Zawór bezpieczeństwa (nr 11 na rysunku 3.3 i 3.4) powinien być sprawdzany co roku przez ręczne obrócenie pokręta celem spowodowania wypłynięcia medium i tym samym oczyszczenia gniazda uszczelki.

Oprócz dorocznego serwisowania systemu wymagana jest wymiana lub kontrola niektórych elementów i części zużywalnych po określonym czasie eksploatacji systemu. Szczegółowe instrukcje zawarte są w poniższych tabelach. Wymiana i kontrola części musi być zawsze wykonywana przez osobę wykwalifikowaną i przeszkoloną.

Elementy, które wymagają regularnej wymiany

Elementy	Cykl wymiany	Możliwe usterki
Zawór naciśnieniowy (3 bary) Odpowietrznik (autom./ręczny) Manometr	6 lat	Wyciek wody

Elementy, które wymagają regularnej kontroli

Elementy	Cykl kontroli	Możliwe usterki
Zawór naciśnieniowy (3 bary) Zawór temperaturowo-naciśnieniowy	1 rok (obrócić pokrętkę ręcznie)	Zawór bezpieczeństwa pozostanie zamknięty i dojdzie do rozerwania zbiornika wzbiorczego
Grzałka zanurzeniowa	2 lat	Prąd uszkodzeniowy, który wyzwala wyłącznik instalacyjny (grzałka jest zawsze WYŁĄCZONA)
Pompa obiegu grzewczego (Obieg pierwotny)	20 000 godzin (3 lata)	Awaria pomp obiegu grzewczego

Części jednorazowego użytku

- * O-Ring
- * Uszczelka

Wskazówka:

- Uszczelkę pompy należy wymieniać przy okazji każdego okresowego przeglądu (co 20 000 godzin w ruchu lub co 3 lata).
- Nie ma potrzeby przeglądu zaworu bezpieczeństwa (5 barów) ponieważ nie styka on się z wodą o ile nie ulegnie uszkodzeniu zawór bezpieczeństwa 3 bary.

Formularze inżynierskie

Gdyby zmienione zostały ustawieniami standardowe, należy zanotować nowe ustawienie w kolumnie „Ustawienie instalacji”. Ułatwi to później ich ponowne wprowadzenie, gdyby system miał być inaczej użytkowany lub musiała zostać wymieniona płytko drukowana.

Protokół uruchomienia / ustawień instalacji

Okno głównego sterownika		Parametr	Ustawienie standardowe	Ustawienie instalacji	Uwagi	
Główne		Wewn. temp. grzania – Strefa1	10°C - 30°C	20°C		
		Wewn. temp. grzania – Strefa2 *14	10°C - 30°C	20°C		
		Grzanie – temp. zasilania – Strefa1	20°C - 60°C	45°C		
		Grzanie – temp. zasilania – Strefa2 *1	20°C - 60°C	35°C		
		Chłodzenie – temp. zasilania – Strefa1 *12	5°C - 25°C	15°C		
		Chłodzenie – temp. zasilania – Strefa2 *12	5°C - 25°C	20°C		
		Krzywa kompensacji grzania – Strefa1	-9°C - + 9°C	0°C		
		Krzywa kompensacji grzania – Strefa2 *1	-9°C - + 9°C	0°C		
Opcja		Tryb dni wolnych	Aktywny/nieaktywny/ustawiony czas	—		
		Priorytet działania CWU	Wł./Wyl.	—		
		CWU	Wł./wyl./programator	Wł.		
		Grzanie/Chłodzenie	Wł./wyl./programator	Wł.		
		Monitoring zużycia energii	Pobór energii elektrycznej / wygenerowana energia	—		
Ustawienie	CWU *13	Tryb pracy	Normal/Eco *16	Normal		
		Maks. temp. CWU	40°C - 60°C *2	50°C		
		Spadek temp. CWU	5°C - 30°C	10°C		
		Maks. czas pracy CWU	30 - 120 min	60 min		
		Ograniczenia trybu CWU	30 - 120 min	30 min		
		Ładowanie CWU	Duże/Standard	Duże *19		
		Program zwalczania bakterii Legionella *13	Aktywne	Tak/Nie	Tak	
		Temp. ciepłej wody	60°C - 70°C *2	65°C		
		Częstotliwość	1 - 30 dni	15 dni		
		Czas uruchomienia	00.00 - 23.00	03.00		
		Maks. czas pracy	1 - 5 h	3 h		
		Czas dla temp. maksymalnej	1 - 120 min	30 min		
		Grzanie/Chłodzenie *12	Tryb pracy – Strefa1	Wewn. temp. grzania / Grzanie – temp. zasilania / Krzywa kompensacji grzania / Chłodzenie – temp. zasilania	Temp. pokoju	
			Tryb pracy – Strefa2 *1	Wewn. temp. grzania / Grzanie – temp. zasilania / Krzywa kompensacji grzania / Chłodzenie – temp. zasilania	Krzywa kompensacji	
	Krzywa kompensacji	Górna wartość zadana temperatury zasilania	Temp. otoczenia na zewnątrz – Strefa1	-30°C - +33°C *3	-15°C	
			Temp. zasilania – Strefa1	20°C - 60°C	50°C	
			Temp. otoczenia na zewnątrz – Strefa2 *1	-30°C - +33°C *3	-15°C	
			Temp. zasilania – Strefa2 *1	20°C - 60°C	40°C	
			Temp. otoczenia na zewnątrz – Strefa1	-28°C - +35°C *4	35°C	
		Dopasowanie	Temp. zasilania – Strefa1	20°C - 60°C	25°C	
			Temp. otoczenia na zewnątrz – Strefa2 *1	-28°C - +35°C *4	35°C	
			Temp. zasilania – Strefa2 *1	20°C - 60°C	25°C	
			Temp. otoczenia na zewnątrz – Strefa1	-29°C - +34°C *5	—	
			Temp. zasilania – Strefa1	20°C - 60°C	—	
		Temp. otoczenia na zewnątrz – Strefa2 *1	-29°C - +34°C *5	—		
		Temp. zasilania – Strefa2 *1	20°C - 60°C	—		
	Dni wolne		CWU *13	Aktywne/Nieaktywne	Nieaktywne	
		Grzanie/Chłodzenie *12	Aktywne/Nieaktywne	Aktywne		
		Wewn. temp. grzania – Strefa1	10°C - 30°C	15°C		
		Wewn. temp. grzania – Strefa2 *14	10°C - 30°C	15°C		
		Grzanie – temp. zasilania – Strefa1	20°C - 60°C	35°C		
		Grzanie – temp. zasilania – Strefa2 *1	20°C - 60°C	25°C		
		Chłodzenie – temp. zasilania – Strefa1 *12	5°C - 25°C	25°C		
		Chłodzenie – temp. zasilania – Strefa2 *12	5°C - 25°C	25°C		

(c.d. na następnej stronie.)

Formularze inżynierskie

Protokół uruchomienia / ustawień instalacji

Okno głównego sterownika		Parametr		Ustawienie standardowe	Ustawienie instalacji	Uwagi
Ustawienie	Ustawienia początkowe	Język	EN/FR/DE/SV/ES/IT/DA/NL/FI/NO/PT/BG/PL/CZ/RU/TR/SL	EN		
		°C/°F	°C/°F	°C		
Czas letni		Wł./Wył.	Wył.			
Wskaźnik temperatury		Pokój / Zbiornik CWU / Pokój i zbiornik CWU / Wył.	Wył.			
Wyświetlanie czasu		hh:mm/hh:mm AM/AM hh:mm	hh:mm			
Nastawa czujnika pomieszcz. – Strefa1		TH1 / Główny RC / Pokój RC1–8 / „Czas/Strefa”	TH1			
Nastawa czujnika pomieszcz. – Strefa2 *1		TH1 / Główny RC / Pokój RC1–8 / „Czas/Strefa”	TH1			
	Wybór strefy pilota pom. *1	Strefa1 / Strefa2	Strefa1			
	Menu Serwis	Regulacja czujnika	THW1	-10°C - +10°C	0°C	
			THW2	-10°C - +10°C	0°C	
			THW5B	-10°C - +10°C	0°C	
			THW6	-10°C - +10°C	0°C	
			THW7	-10°C - +10°C	0°C	
			THW8	-10°C - +10°C	0°C	
			THW9	-10°C - +10°C	0°C	
			THW10	-10°C - +10°C	0°C	
			THWB1	-10°C - +10°C	0°C	
			Dodatkowe ustawienia	Eko ustawienie pompy	Wł./Wył. *6	Wł.
	Opóźnienie (3 - 60 min)	10 min				
	Grzałka elektryczna (Grzanie)	Ogrzewanie pomieszczeń: Wł. (używane) / Wył. (nieużywane)		Wł.		
		Programator opóźnienia włączenia grzałki elektrycznej (5 - 180 min)		30 min		
	Grzałka elektryczna (CWU) *13	Grzałka dogrzewania CWU: Wł. (używane) / Wył. (nieużywane)		Wł.		
		Grzałka zanurzeniowa CWU: Wł. (używane) / Wył. (nieużywane)		Wł.		
		Programator opóźnienia włączenia grzałki elektrycznej (15 - 30 min)		15 min		
	Reg. zaworu mieszającego	Czas działania (10 - 240 s)		120 s		
		Przerwa (1 - 30 min)		2 min		
	Czujnik przepływu *18	Minimum (0 - 100 L/min)		5 L/min		
		Maksimum (0 - 100 L/min)	100 L/min			
	Wyjście analogowe	Przerwa (1 - 30 min)	5 min			
		Prior. (Normal/Wysoki)	Normal			
	Obroty pompy	CWU	Obroty pompy (1 - 5)	5		
		Grzanie/Chłodzenie	Obroty pompy (1 - 5)	5		
	Nastawa źródła ciepła		Standard/Grzałka/Kocioł/Hybryda *7	Standard		
	Ustawienia pompy ciepła	Zakres przepływu pompy ciepła	Minimum (0 - 100 L/min)	5 L/min		
			Maksimum (0 - 100 L/min)	100 L/min		
		Tryb cichy	Dzień (Pon - Nie)	—		
			Czas	0:00–23:45		
			Poziom cichy (Normal / Poz.1 / Poz.2)	Normal		
	Ustawienia pracy	Tryb grzania *8	Zakres temp. zasilania *10	Min. temp. (20 - 45°C)	30°C	
				Maks. temp. (35 - 60°C)	50°C	
			Regulacja temp. wew. *15	Tryb (Normal/Wydajny)	Normal	
		Dopasowanie różnicy temperatur pompy ciepła	Przerwa (10 - 60 min)	10 min		
			Wł./Wył. *6	Wł.		
			Dolna granica (-9 - -1°C)	-5°C		
			Górna granica (+3 - +5°C)	5°C		
		Funkcja stat. zamarz. *11	Temp. otoczenia na zewnątrz (3 - 20°C) / **	5°C		
		Praca symultaniczna (CWU/Grzanie)	Wł./Wył. *6	Wył.		
			Temp. otoczenia na zewnątrz (-30 - +10°C) *3	-15°C		
		Funkcja niskiej temp. zewn.	Wł./Wył. *6	Wył.		
			Temp. otoczenia na zewnątrz (-30 - -10°C) *3	-15°C		
	Praca kotła	Ustawienia hybrydy	Temp. otoczenia na zewnątrz (-30 - +10°C) *3	-15°C		
			Tryb Prior. (T. otoczenia / Koszt / CO ₂) *17	Temp. otoczenia		
			Wzrost temp. otoczenia na zewnątrz (+1 - +5 °C)	+3°C		
		Inteligentne ustawienia	Cena energii *9	Elektryczność (0,001 - 999 */kWh)	0,5 */kWh	
				Kocioł (0,001 - 999 */kWh)	0,5 */kWh	
		Emisja CO ₂	Elektryczność (0,001-999 kg -CO ₂ /kWh)	0,5 kg -CO ₂ /kWh		
				Kocioł (0,001-999 kg -CO ₂ /kWh)	0,5 kg -CO ₂ /kWh	
		Źródło ciepła	Wydajność pompy ciepła (1 - 40 kW)	11,2 kW		
			Sprawność kotła (25 - 150%)	80%		
			Wydajność grzałki dogrzew. 1 (0 - 30 kW)	2 kW		
	Wydajność grzałki dogrzew. 2 (0 - 30 kW)		4 kW			

6 Przeglądy i usuwanie usterek

Formularze inżynierskie

Protokół uruchomienia/ustawień instalacji (c.d. z poprzedniej strony)

Okno głównego sterownika				Parametr	Ustawienie standardowe	Ustawienie instalacji	Uwagi	
Menu Serwis	Ustawienia pracy	Inteligentna sieć gotowa	CWU	Wł./Wył.	Wył.			
				Temp. docelowa (+1 - +20°C) / — (nieaktywne)	—			
			Grzanie	Wł./Wył.	Wył.			
				Temp. docelowa	Zalecenie włączenia (20 - 60°C)	50°C		
					Polecenie włączenia (20 - 60°C)	55°C		
			Chłodzenie	Wł./Wył.	Wył.			
				Temp. docelowa	Zalecenie włączenia (5 - 25°C)	15°C		
					Polecenie włączenia (5 - 25°C)	10°C		
			Cykle pompy	Grzanie (Wł./Wył.)		Wł.		
				Chłodzenie (Wł./Wył.)		Wł.		
				Przerwa (10 - 120 min)		10 min		
			Funkcja osuszania posadzki	Wł./Wył. *6		Wył.		
		Temp. docelowa		Start&Koniec (20 - 60°C)	30°C			
				Maks. temp. (20 - 60°C)	45°C			
				Maks. czas trwania temp. (1 - 20 dni)	5 dni			
		Temp. zasilania (Podwyższenie)		Krok podwyższenia temperatury (+1 - +10°C)		+5°C		
				Przerwa wzrostu (1 - 7 dni)		2 dni		
		Temp. zasilania (Obniżenie)		Krok obniżenia temperatury (-1 - 10°C)		-5°C		
				Przerwa spadku (1 - 7 dni)		2 dni		
		Tryb letni	Wł./Wył.		Wył.			
			Temp. otoczenia na zewnątrz	Grzanie Wł. (4 - 19°C)	10°C			
				Grzanie WYŁ. (5 - 20°C)	15°C			
			Czas oceny	Grzanie Wł. (1 - 48 h)	6 h			
				Grzanie WYŁ. (1 - 48 h)	6 h			
			Wymuszone grzanie Wł. (-30°C - +10°C)		5°C			
		Kontrola przepływu wody		Wł./Wył.	Wył.			
		Ustawienia monitor. energii	Moc grzałki elektrycznej	Wydajność grzałki dogrzew 1	0 - 30 kW	2 kW		
Wydajność grzałki dogrzew 2	0 - 30 kW			4 kW				
Moc grzałki zanurzeniowej	0 - 30 kW			0 kW				
Wyjście analogowe	0 - 30 kW			0 kW				
Regulacja wytworzonej energii		-50% - +50%	0%					
Pobór mocy pompy ciepła	Pompa 1	0 - 200W lub *** (fabrycznie zamontowana pompa)	***					
		Pompa 2	0 - 200W	0 W				
		Pompa 3	0 - 200W	0 W				
		Pompa 4 *19	0 - 200W	72 W				
Licznik energii elektrycznej		0,1/1/10/100/1000 impulsów/kWh	1 impuls/kWh					
Licznik energii cieplnej		0,1/1/10/100/1000 impulsów/kWh	1 impuls/kWh					
Nastawa wejść zewn.	Sterowanie żądaniem (IN4)		WYŁ. Źródło ciepła / praca kotła	Praca kotła				
	Termostat zewn. (IN5)		Praca grzałki / praca kotła	Praca kotła				
Wyjście termostatu Wł.		Strefa1 / Strefa2 / Strefy 1 i 2	Strefy 1 i 2					

*1 Ustawienia dotyczące strefy 2 można zmieniać pod warunkiem, że uaktywniona jest regulacja temperatury 2 stref (przełączniki DIP SW2-6 i SW2-7 znajdują się w pozycji ON).

*2 W przypadku typów urządzeń bez grzałki dogrzewania i grzałki zanurzeniowej ustawiona temperatura może nie zostać osiągnięta, zależnie od temperatury zewnętrznej.

*3 Dolna granica wynosi -15°C zależnie od podłączonej jednostki zewnętrznej.

*4 Dolna granica wynosi -13°C zależnie od podłączonej jednostki zewnętrznej.

*5 Dolna granica wynosi -14°C zależnie od podłączonej jednostki zewnętrznej.

*6 Wł.: funkcja jest aktywna; Wył.: funkcja nie jest aktywna.

*7 Gdy przełącznik DIP SW1-1 znajduje się w pozycji OFF, czyli „BEZ kotła”, lub przełącznik DIP SW2-6 znajduje się w pozycji OFF, czyli „BEZ zbiornika mieszającego”, nie można wybrać trybu kotła ani Hybryda.

*8 Dotyczy tylko pracy w trybie regulacji wg temperatury pokoju.

*9 „**” w „*/kWh” oznacza kwotę w walucie (np. €, £ itp.)

*10 Dotyczy tylko pracy w trybie grzania wg temperatury pokoju.

*11 Jeśli wybrane zostaną gwiazdki (**), funkcja stat zamarz. nie będzie aktywna. (tzn. istnieje ryzyko, że zamarznie woda w obiegu pierwotnym)

12 Ustawienia trybu chłodzenia są dostępne tylko dla modelu ERS.

*13 Dostępny tylko, jeżeli w układzie znajduje się zbiornik CWU.

*14 Ustawienia dotyczące strefy 2 można zmieniać pod warunkiem, że uaktywniona jest regulacja temperatury 2 stref lub aktywne jest sterowanie Wł./WYŁ. zaworem 2 stref.

*15 Kiedy mikroprzełącznik DIP SW5-2 ustawiony jest na WYŁ., funkcja jest aktywna.

*16 Kiedy module wewnętrznym bez wbudowanego zasobnika CWU jest połączona z jednostką zewnętrzną PUMY-P, tryb jest ustawiony na „Normal”.

*17 Kiedy module wewnętrznym bez wbudowanego zasobnika CWU jest połączona z jednostką zewnętrzną PUMY-P, tryb jest ustawiony na „T.otoczenia”.

*18 Nie zmieniać tego ustawienia, ponieważ odpowiada ono parametrom czujnika przepływu podłączonego do module wewnętrznym bez wbudowanego zasobnika CWU.

*19 Ustawienie to obowiązuje tylko dla modułu wewnętrznego z wbudowanym zasobnikiem CWU.

1. Bezpečnostní upozornění.....	2
2. Úvod.....	3
3. Technické informace	4
4. Instalace	11
4.1 Umístění.....	11
4.2 Kvalita vody a příprava systému	13
4.3 Vodní potrubí	14
4.4 Elektrické připojení	16
5. Nastavení a seřízení systému.....	18
5.1 Funkce přepínačů DIP	18
5.2 Připojení vstupů / výstupů	19
5.3 Zapojení pro regulaci teploty ve 2 topných zónách	20
5.4 Provoz samotné vnitřní jednotky (během instalace).....	21
5.5 Použití paměťové karty SD	21
5.6 Hlavní ovládání	22
6. Údržba a opravy.....	29

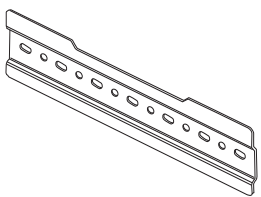
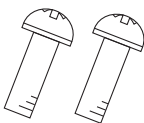
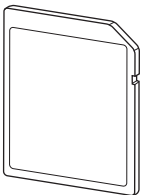
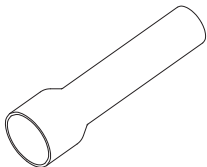


<http://www.mitsubishielectric.com/ldg/ibim/>

Pokud chcete získat další informace, které nejsou uvedeny v této příručce, přejděte na výše uvedenou webovou stránku pro stahování příruček, vyberte název modelu a poté vyberte jazyk.

Obsah příručky na webové stránce

- Sledování energie
- Prostorový termostat
- Plnění systému
- Jednoduchý 2-zónový systém
- Nezávislý zdroj elektrické energie
- Připraveno pro Smart Grid
- Měděná vložka pro potrubí teplé vody
- Možnosti dálkového ovládání
- Nabídka Servis (speciální nastavení)
- Doplnující informace

Příslušenství (je součástí dodávky)			
Montážní lišta	Šroub M5×8	Paměťová karta SD	Spojovací potrubí *
			
1	2	1	1

* Pouze řada E*SE

Zkratky a rejstřík pojmů

č.	Zkratky / pojem	Popis
1	Režim ekvit. křivek	Regulace vytápění podle venkovní teploty
2	COP	Topný faktor - účinnost tepelného čerpadla
3	Režim Chlazení	Chlazení místnosti pomocí konvektorů s ventilátorem nebo podlahového systému
4	Režim TV	Režim přípravy (ohřevu) teplé vody pro sprchování, mytí nádobí, vaření atd.
5	Výstupní teplota	Teplota výstupní otopné vody (pro vytápění)
6	Funkce nezámrazné ochrany	Ochranná funkce regulace topení, která zabraňuje zamrznutí vodních potrubí
7	FTC	Regulátor tepelného čerpadla / topení, který zajišťuje regulaci otopného systému
8	Režim Topení	Vytápění vnitřního prostoru otopnými tělesy nebo podlahovým topením
9	Hydromodul	Vnitřní jednotka s hydraulickými instalačními prvky (BEZ zásobníku TV)
10	Legionella	Bakterie, které se mohou případně vyskytovat v potrubí domovního rozvodu, ve sprchách a v zásobnících teplé vody, a které mohou vyvolat nebezpečné onemocnění - tzv. legionářskou horečku
11	Program Legionella	Program Legionella – funkce sloužící k zabránění množení bakterií Legionella v systémech se zásobníky vody
12	Kompakt	Deskový výměník (chladiivo - voda) ve venkovní jednotce tepelného čerpadla
13	PV	Přetlakový ventil
14	Teplota vratné vody	Teplota ve vratném potrubí od otopného systému
15	Split	Deskový výměník (chladiivo - voda) ve vnitřní jednotce tepelného čerpadla
16	TVTT	Termostatický ventil na otopném tělese

1 Bezpečnostní upozornění

Následující bezpečnostní upozornění si pozorně přečtěte.

VÝSTRAHA:

Upozornění, která je nutné respektovat, aby se zabránilo úrazům nebo i ohrožení života.





POZOR:

Upozornění, která je nutné respektovat, aby se zabránilo škodám na zařízení.

Po instalaci musí být tato Příručka pro instalaci spolu s Návodem k obsluze přechovávána v blízkosti výrobku pro možnost pozdějšího nahlížení. Mitsubishi Electric neodpovídá za selhání částí, které byly v rámci přípravy k instalaci dodány jinými dodavateli.

- Zajistěte pravidelnou péči a údržbu.
- Dbejte na dodržování platných předpisů.
- Držte se pokynů uvedených v této příručce.

VÝZNAMY SYMBOLŮ ZOBRAZENÝCH NA JEDNOTCE

	VÝSTRAHA (Nebezpečí požáru)	Tato značka platí pouze pro chladicí médium R32. Typ chladicího média je uveden na štítku vnější jednotky. Jestliže je typ chladicího média R32, používá tato jednotka hořlavé chladicí médium. V případě úniku chladicího média nebo kontaktu chladicího média s ohněm nebo topným tělesem dochází ke vzniku škodlivých plynů a hrozí nebezpečí požáru.
		Před zahájením práce si přečtěte PROVOZNÍ PŘÍRUČKU.
		Servisní pracovníci jsou povinni si před zahájením práce pečlivě přečíst PROVOZNÍ PŘÍRUČKU i INSTALAČNÍ PŘÍRUČKU.
		Další informace jsou k dispozici v PROVOZNÍ PŘÍRUČCE, INSTALAČNÍ PŘÍRUČCE apod.

VÝSTRAHA :

Mechanická část

- Hydromodul a venkovní jednotky nesmí uživatel sám instalovat, rozebírat, přemísťovat, měnit ani opravovat. Obráťte se na autorizovaného instalatéra nebo technika. Neodborná instalace nebo změny či úpravy provedené uživatelem po instalaci mohou vést k úniku vody, k úrazu elektrickým proudem nebo k požáru.
- Venkovní jednotka musí být bezpečně upevněna na pevném, rovném podkladu, který bezpečně unese její hmotnost.
- Hydromodul se musí umístit na pevnou vodorovnou plochu, která má dostatečnou únosnost pro hmotnost modulu včetně náplně a která může bránit silnému hluku nebo vibracím.
- Pod hydromodul nestavte žádný nábytek ani elektrická zařízení.
- Vývody z pojistných zařízení (ventilů) hydromodul se musejí instalovat podle předpisů platných v místě montáže.
- Používejte výhradně příslušenství a náhradní díly schválené firmou Mitsubishi Electric.

Elektrická část

- Veškeré práce na elektrických částech zařízení musí provádět kvalifikovaný technik, a to podle platných místních předpisů a podle pokynů obsažených v této příručce.
- Zařízení musí mít své vlastní elektrické napájení se správnou hodnotou napětí a musejí se použít jističe se správnou proudovou hodnotou.
- Kabeláž musí odpovídat předpisům platným v daném státě. Přívody se připojí bezpečně na svorky bez napětí.
- Zařízení je nutné správně uzemnit.

Všeobecné informace

- Dětem a domácím zvířatům znemožněte přístup k hydromodulu i k venkovním jednotkám.
- Horkou otopnou vodu z tepelného čerpadla nepoužívejte přímo k pití ani vaření. Mohlo by to uživateli způsobit onemocnění.
- Na zařízení nestoupejte.
- Přepínačů se nedotýkejte mokřima rukama.
- Roční kontroly v rámci údržby hydromodulu i venkovních jednotek smí provádět jen kvalifikovaná osoba.
- Na hydromodul nestavte žádné nádoby s tekutinami. Pokud by na hydromodul vytekly kapaliny nebo jimi byl potřísněn, mohlo by to způsobit jeho poškození nebo požár.
- Na Hydromodul nestavte žádné těžké předměty.
- Při instalaci, přemísťování nebo údržbě hydromodulu použijte k plnění vedení chladiva výhradně jen předepsané chladivo tepelného čerpadla. Nemíchejte je s jinými chladivými a dbejte, aby se do potrubí nedostal vzduch. Když se chladivo smísí se vzduchem, může to způsobit nadměrný přetlak ve vedení chladiva a explozi nebo jiné ohrožení.
- Použití jiného než předepsaného chladiva vede k mechanickému selhání, k poruše systému nebo k úplnému výpadku z provozu. V nejhorším případě by to mohlo vést k závažnému ovlivnění bezpečnosti výrobku.
- Aby se při provozu v režimu Topení zabránilo poškození otopných ploch (např. podlahového topení) příliš horkou vodou, nastavte požadovanou teplotu vstupní otopné vody nejméně o 2°C pod maximální přípustnou teplotu všech otopných ploch. Pro topnou zónu 2 nastavte požadovanou teplotu vstupní otopné vody nejméně o 5°C níže, než je maximální přípustná teplota v přívodu otopné vody k otopným plochám v topné zóně 2.
- Jednotku neinstalujte tam, kde by mohlo dojít k úniku hořlavých plynů a kde takovému plynu vznikají, proudí nebo jsou akumulovány. Pokud dojde k akumulaci hořlavých plynů kolem jednotky, může to způsobit požár nebo výbuch.
- Nepoužívejte jiné prostředky pro urychlení procesu odmrazování nebo čištění, než které doporučuje výrobce.
- Spotřebič je nutno skladovat v místnosti bez nepřetržitého provozu zdrojů zapálení (např. otevřeného ohně, provozního plynového spotřebiče nebo provozního elektrického ohříváče).
- Nepropichujte ani nespálujte.
- Uvědomte si, že chladiva nesmí vydávat zápach.
- Potrubí musí být chráněno před fyzickým poškozením.
- Instalace potrubí musí být omezena na minimum.
- Dodržujte vnitrostátní plynárenské předpisy.
- Udržujte všechny potřebné ventilační otvory bez překážek.
- V případě pájení potrubí chladiva nepoužívejte pájecí slitinu s nízkou teplotou.

1 Bezpečnostní upozornění

POZOR :

Pro primární okruh používejte upravenou vodu, která odpovídá normám kvality platným v místě použití.

Venkovní jednotka by se měla instalovat do prostoru s dostatečným prouděním vzduchu podle diagramů v Příručce pro instalaci venkovní jednotky.

Hydromodul by se měl umístit ve vnitřním prostoru tak, aby byly minimální tepelné ztráty.

Potrubí primárního okruhu mezi venkovní a vnitřní jednotkou má být co nejkratší, aby se omezily tepelné ztráty.

Zajistěte, aby kondenzát byl od podstavce odváděn pryč a nemohly se tvořit kaluže.

Odvzdušněte primární okruh i okruh TV.

Únik chladiva může způsobit udušení. Zajistěte větrání podle požadavků normy EN 378-1.

Všechna potrubí opatřete izolací podle platných předpisů. Přímý dotyk holého potrubí může způsobit popáleniny nebo omrzliny.

Baterie a drobné díly si nedávejte do úst, hrozí nebezpečí spolknutí.

Při spolknutí baterie hrozí jak udušení, tak otrava.

Zařízení instalujte na tuhou konstrukci, aby se zabránilo silnému hluku nebo vibracím během provozu.

Pokud se hydromodul nebude delší dobu používat (nebo má být systém vypnutý), doporučujeme systém vyprázdnit.

Je třeba provést preventivní opatření proti tlakovým rázům v otopném systému, např. zabudováním vzdušníku do primárního okruhu podle pokynů výrobce.

Aby se zabránilo kondenzaci na systému distribuce tepla, příslušně regulujte výstupní teplotu a na místě nastavte spodní hranici teploty výstupní vody.

Pro zacházení s chladivem viz Příručka pro instalaci venkovní jednotky.

2 Úvod

Účelem této příručky je poučit odborně kvalifikované osoby o tom, jak hydromodul bezpečně a efektivně instalovat a uvést do provozu. Čtenáři, na které se tato příručka obrací, jsou odborní instalatéři a montážní technici anebo inženýři pro

chladicí techniku, kteří úspěšně absolvovali potřebné školení o produktu u Mitsubishi Electric a splňují kvalifikační požadavky pro instalaci modulu pro ohřev vody podle předpisů daného státu.

3 Technické informace

Specifikace výrobku

Označení zařízení	EHSD-MED	EHSD-VM2D	EHSD-VM6D	EHSD-YM9D	EHSD-YM9ED	EHSD-TM9D	ERSD-MED	ERSD-VM2D	ERSD-VM6D	EHSC-VM6D	EHSC-YM9D	EHSC-YM9ED	EHSC-TM9D	ERSC-MED	ERSC-VM2D	ERSC-YM9ED	ERSE-MED
Celkové rozměry jednotky (výška x šířka x hloubka)	800 x 530 x 360 mm																
Hmotnost (prázdný)	36 kg	43 kg	44 kg	40 kg	40 kg	44 kg	38 kg	44 kg	47 kg	48 kg	43 kg	48 kg	48 kg	41 kg	48 kg	64 kg	62 kg
Hmotnost (plný)	38 kg	48 kg	49 kg	45 kg	45 kg	49 kg	39 kg	50 kg	53 kg	54 kg	50 kg	54 kg	54 kg	44 kg	54 kg	74 kg	72 kg
Objem vody v topném okruhu v jednotce *1	1,7 kg	5,2 kg	5,2 kg	5,2 kg	5,2 kg	5,2 kg	1,7 kg	5,2 kg	6,1 kg	6,1 kg	6,1 kg	6,1 kg	6,1 kg	2,6 kg	6,1 kg	10,0 kg	10,0 kg
Nevětraná expanzní nádoba (přímá)	—	10 L	—	—	—	10 L	—	10 L	—	10 L	—	—	10 L	—	10 L	—	—
Vstupní tlak	—	1 bar	—	—	—	1 bar	—	1 bar	—	1 bar	—	—	1 bar	—	1 bar	—	—
Kontrolní teplotní čidlo	1 – 80°C																
Přetlakový ventil	0,3 MPa (3 bar)																
Snímač průtoku	Minimální průtok 5,0 L/min (Rozsah průtoku vody uvádí tabulka 4.3.1)																
Termostat s manuálním vymazáním	—	90°C	—	—	—	—	—	90°C	—	—	—	—	—	—	—	—	—
Teplotní pojistka (proti běhu na sucho)	—	121°C	—	—	—	—	—	121°C	—	—	—	—	—	—	—	—	—
Voda (přímá okruh)	G1-A																
Chladič (R32 / R410A)	6,35 mm	12,7 mm	9,52 mm														25,4 mm (pájení)
Průtoková teplota	—	—	—	—	—	—	5 – 25°C	—	—	—	—	—	—	—	—	—	—
Chlazení	—	—	—	—	—	—	—	—	—	—	—	—	—	—	—	—	—
Prostorová teplota	—	—	—	—	—	—	—	—	—	—	—	—	—	—	—	—	—
Chlazení	—	—	—	—	—	—	—	—	—	—	—	—	—	—	—	—	—
Okolní teplota *2	0 – 35°C (≤ 80 % rel. v.)																
Venkovní teplota	—	—	—	—	—	—	—	—	—	—	—	—	—	—	—	—	—
Chlazení	—	—	—	—	—	—	—	—	—	—	—	—	—	—	—	—	—
Řídicí panel (včetně 4 oběhových čerpadel)	Viz tabulka specifikací venkovní jednotky.																
Jištění (*při napájení z nezávislého zdroje)	*3																
Elektrické napájení (fáze, napětí, frekvence)	~N, 230 V, 50 Hz																
Jištění (*při napájení z nezávislého zdroje)	10A																
Elektrické napájení (fáze, napětí, frekvence)	—	~N, 230 V, 50 Hz	3–, 400 V, 50 Hz	3–, 230 V, 50 Hz	3–, 230 V, 50 Hz	3–, 230 V, 50 Hz	—	~N, 230 V, 50 Hz	~N, 230 V, 50 Hz	~N, 230 V, 50 Hz	3–, 400 V, 50 Hz	3–, 400 V, 50 Hz	3–, 230 V, 50 Hz	—	~N, 230 V, 50 Hz	3–, 400 V, 50 Hz	—
Výkon ohřivač	—	2kW	2kW +4kW	3kW +6kW	3kW +6kW	3kW +6kW	—	2kW	2kW +4kW	2kW +4kW	3kW +6kW	3kW +6kW	3kW +6kW	—	2kW	3kW +6kW	—
Proud	—	9 A	26 A	23 A	23 A	23 A	—	9 A	26 A	26 A	13 A	13 A	23 A	—	9 A	13 A	—
Jištění	—	16 A	32 A	16 A	16 A	32 A	—	16 A	16 A	32 A	16 A	32 A	32 A	—	16 A	16 A	—
Hladina akustického výkonu	41 dB(A) 40 dB(A) 45 dB(A)																

<Tabulka 3.1>

*1 Tato hodnota nezahrnuje potrubí do expanzní nádoby.

*2 V okolí nesmí mraznout.

*3 Viz tabulka specifikací venkovní jednotky, (min. 10°C)

Režim chlazení není při nízké venkovní teplotě k dispozici.

Pokud používáte náš systém v režimu chlazení při nízké okolní teplotě (10°C nebo nižší), existuje riziko poškození deskového výměníku tepla zamrzlou vodou.

Označení zařízení	EHSE-YM9ED	EHSE-MED	EHPX-MED	EHPX-VM2D	EHPX-VM6D	EHPX-VM9D	EHPX-YM9ED
Celkové rozměry jednotky (výška x šířka x hloubka)	950 x 600 x 360 mm	800 x 630 x 360 mm	800 x 630 x 360 mm	800 x 630 x 360 mm	800 x 630 x 360 mm	800 x 630 x 360 mm	800 x 630 x 360 mm
Hmotnost (prázdný)	63 kg	61 kg	28 kg	35 kg	37 kg	37 kg	32 kg
Hmotnost (plný)	73 kg	71 kg	29 kg	40 kg	41 kg	41 kg	37 kg
Objem vody v topném okruhu v jednotce *1	10,0 kg	10,0 kg	1,0 kg	4,5 kg	4,5 kg	4,5 kg	4,5 kg
Nevětraná expanzní nádoba (primární topení)	—	—	—	10 L	—	—	—
Vstupní tlak	—	—	—	1 bar	—	—	—
Kontrolní teplotní čidlo	—	—	—	1 – 80°C	—	—	—
Přetlakový ventil	—	—	—	0,3 MPa (3 bar)	—	—	—
Pojistné zařízení	—	—	—	—	—	—	—
Pomocný ohřivač	—	—	—	—	—	—	—
Minimální průtok	—	—	—	—	—	—	—
Termostat s manuálním vymazáním	—	—	—	—	—	—	—
Teplotní pojistka (proti běhu na sucho)	90°C	—	—	—	—	—	90°C
Voda (primární okruh)	121°C	—	—	—	—	—	121°C
Připojky	G1-1/2-B	—	—	—	—	—	G1-A
Chladivo (R32 / R410A)	9,52 mm	—	—	—	—	—	—
Plyn	25,4 mm (pájení)	—	—	—	—	—	—
Topení	—	—	—	—	—	—	—
Chlazení	—	—	—	—	—	—	—
Prostorová teplota	—	—	—	—	—	—	—
Chlazení	—	—	—	—	—	—	—
Okolní teplota *2	—	—	—	—	—	—	—
Topení	—	—	—	—	—	—	—
Chlazení	—	—	—	—	—	—	—
Řídicí panel (včetně 4 oběhových čerpadel)	—	—	—	—	—	—	—
Elektrické napájení (fáze, napětí, frekvence)	—	—	—	—	—	—	—
Jištění (* při napájení z nezávislého zdroje)	—	—	—	—	—	—	—
Elektrické údaje	3~400 V, 50 Hz	—	—	—	—	—	—
Pomocný ohřivač	3kW +6kW	—	—	—	—	—	—
Proud	13 A	—	—	—	—	—	—
Jištění	16 A	—	—	—	—	—	—
Hladina akustického výkonu	45 dB(A)	—	—	—	—	—	—
							40 dB(A)

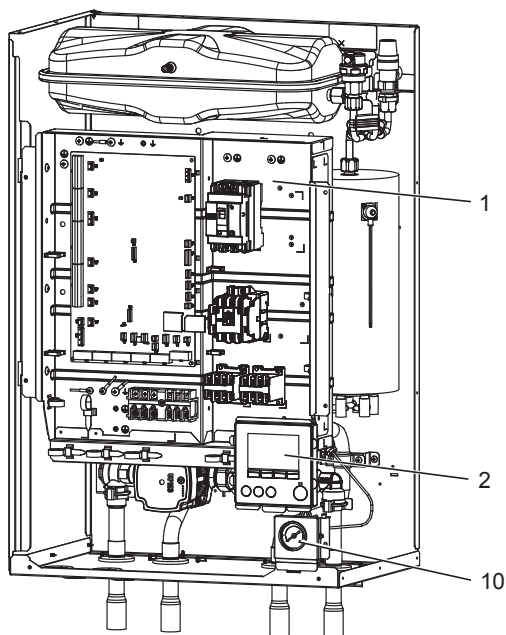
< Tabulka 3.2 >

*1 Tato hodnota nezahrnuje potrubí do expanzní nádoby.
 *2 V okolí nesmí mznout.
 *3 Viz tabulka specifikací venkovní jednotky (min. 10°C).
 Režim chlazení není při nízké venkovní teplotě k dispozici.
 Pokud používáte náš systém v režimu chlazení při nízké okolní teplotě (10°C nebo nižší), existuje riziko poškození výměníku tepla zamrzlou vodou.

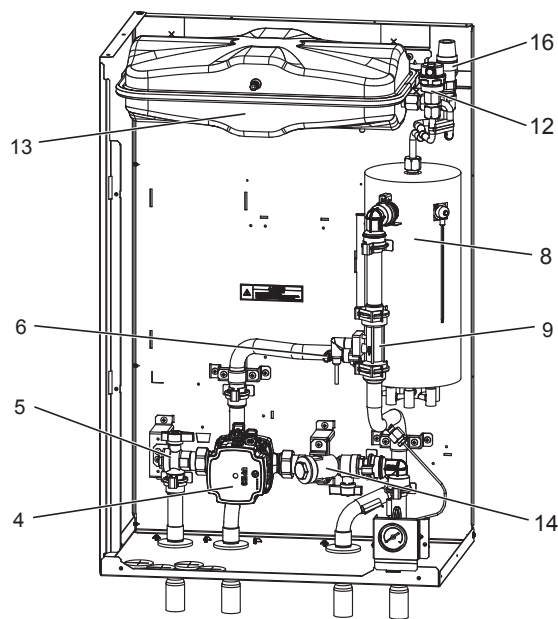
3 Technické informace

■ Součásti

<EHPX-*M*D> (systém Kompakt)

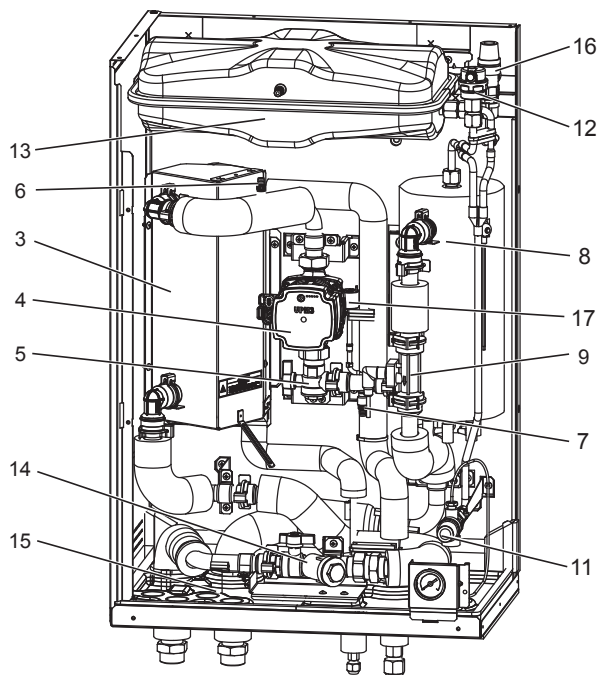


<Obr. 3.1>



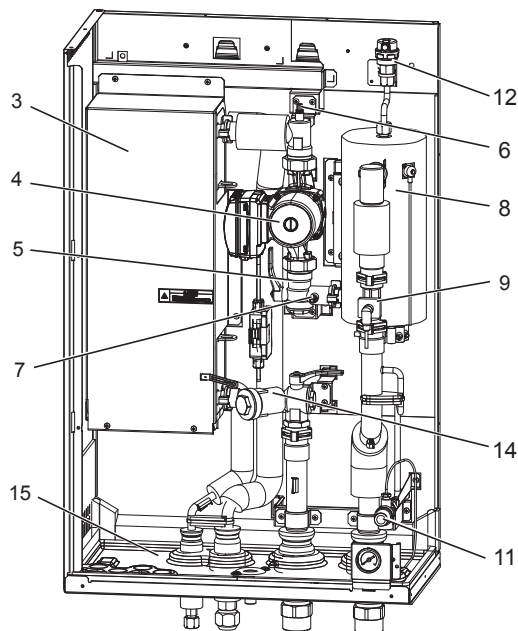
<Obr. 3.2>

<E*S*-*M**D> (systém Split)



<Obr. 3.3>

<E*SE-*M*ED>



<Obr. 3.4>

č.	Označení dílu	EHPX-*M*(E)D	EHS*-MED	EHS*-*M*D	EHS*-YM9ED	ERS*-*M*(E)D	ERS*-MED
1	Skříňový rozvaděč	✓	✓	✓	✓	✓	✓
2	Hlavní ovládání	✓	✓	✓	✓	✓	✓
3	Deskový výměník tepla (chladiho - voda)	-	✓	✓	✓	✓	✓
4	Oběhové čerpadlo topné zóny 1	✓	✓	✓	✓	✓	✓
5	Uzavírací ventil čerpadla	✓	✓	✓	✓	✓	✓
6	Odvzdušnění (ruční)	-	✓	✓	✓	✓	✓
7	Výpustný kohout (primární okruh)	✓	✓	✓	✓	✓	✓
8	Pomocný ohřivač 1, 2	✓	-	✓	✓	✓	-
9	Snímač průtoku	✓	✓	✓	✓	✓	✓
10	Tlakoměr	✓	✓	✓	✓	✓	✓
11	Přetlakový ventil (3 bary)	-	✓	✓	✓	✓	✓
12	Automatický odvzdušňovací ventil	✓	✓	✓	✓	✓	✓
13	Expanzní nádoba	✓*1	-	✓	-	✓*2	-
14	Filtr	✓	✓	✓	✓	✓	✓
15	Odtoková vana	-	-	-	-	✓	✓
16	Přetlakový ventil (5 bar)	✓*1	-	✓	-	✓*2	-
17	Snímač tlaku	-	✓*3	✓*3	✓*3	✓*3	✓*3

<Tableau 3.3>

Upozornění:

Při instalaci všech modelů E**T***-M*ED* se ujistěte, že je instalována expanzní nádoba na primární straně s vhodnou velikostí a další přetlakový ventil, aby se zabránilo roztržení expanzní nádoby v provozu. (Další pokyny viz obrázky 3.2 ~ 3.3 a 4.3.2)

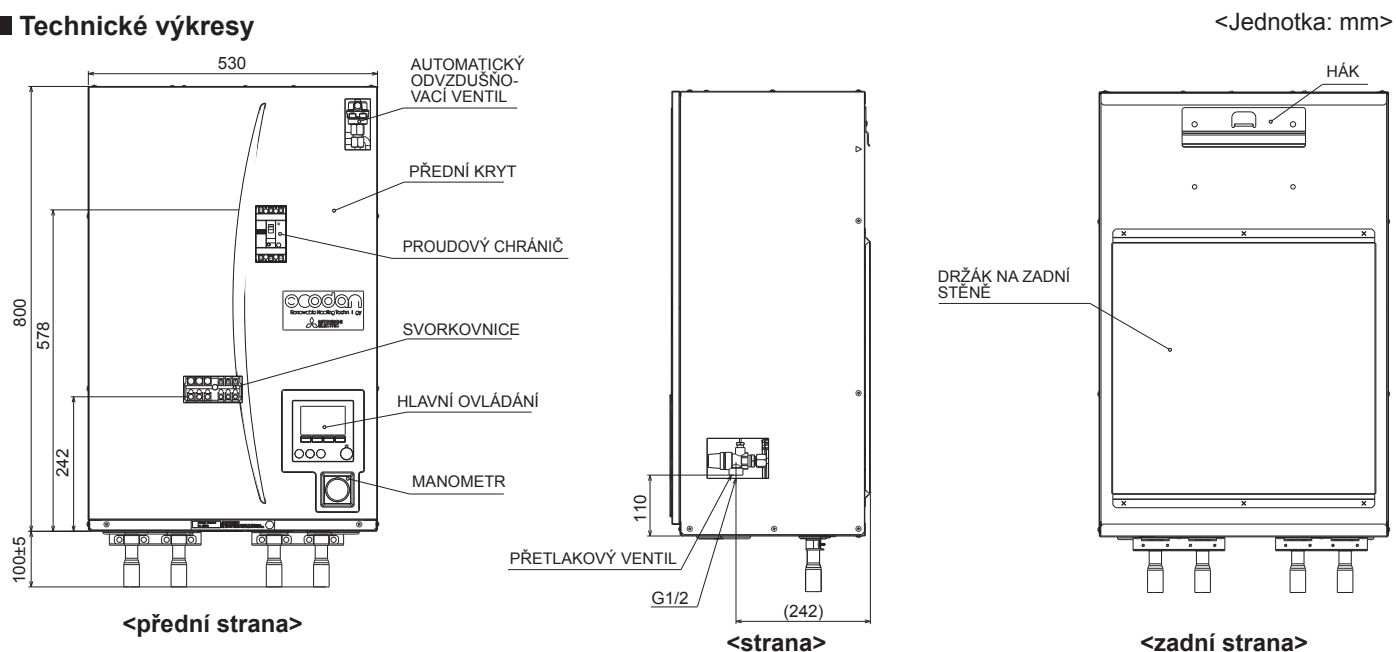
*1 EHPX-YM9ED a EHPX-MED nejsou zahrnuty.

*3 ERSE-YM9ED není součástí dodávky.

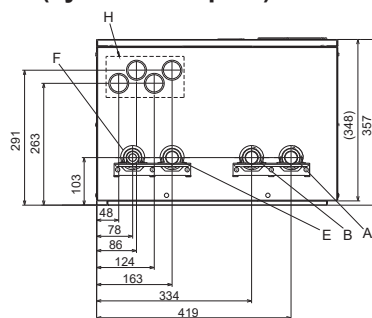
*4 Pouze model 2HP(E*SD).

3 Technické informace

■ Technické výkresy



<EHPX> (systém Kompakt)



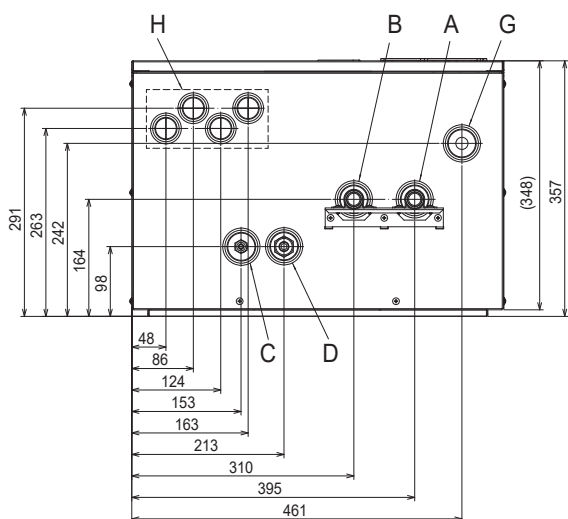
<Pohled zdola>

Poz.	Připojka	Průměr / typ spojení
A	Vratná voda z topení / Zásobník s nepřímým ohřevem TV (primární)	28 mm / svěrná spojka (EH**.*) Matice G1 (ERS*.)
B	Výstupní voda k topení / Zásobník s nepřímým ohřevem TV (primární)	28 mm / svěrná spojka (EH**.*) Matice G1 (ERS*.)
C	Chladivo (kapalné)	6,35 mm/Rozšíření (E*SD-*) 9,52 mm/Rozšíření (E*SC-*)
D	Chladivo (plynné)	12,7 mm/Rozšíření (E*SD-*) 15,88 mm/Rozšíření (E*SC-*)
E	Připojení výstupu z tepelného čerpadla	28 mm / svěrná spojka (EHPX-*)
F	Připojení vstupu do tepelného čerpadla	28 mm / svěrná spojka (EHPX-*)
G	Odtokové potrubí (provádí instalatér) od přetlakového ventilu	Vnitřní závit G1/2" (sedlo ventilu uvnitř skříně hydromodulu)
H	Prostupy pro elektrické kabely	Prostupy pro kabely ① a ② rozvod VN včetně silových kabelů, vnitřních / venkovních kabelů a vodičů externích výstupů. Prostupy pro kabely ③ a ④, rozvod NN včetně externích kabelů pro přenos signálů a kabelů teplotních čidel. Pro kabel přijímač DO (volit. přísl.) použijte kabelovou průchodku ④.
I	Vypouštěcí nátrubek	Vnější průměr ø20

<Tabulka 3.4>

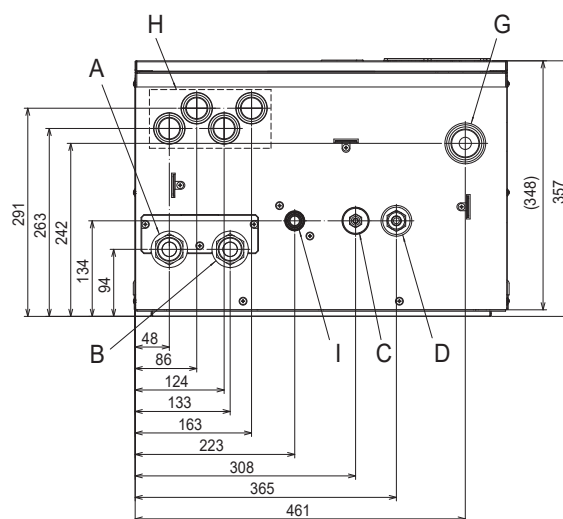
3 Technické informace

<EHS*> (systém Split)



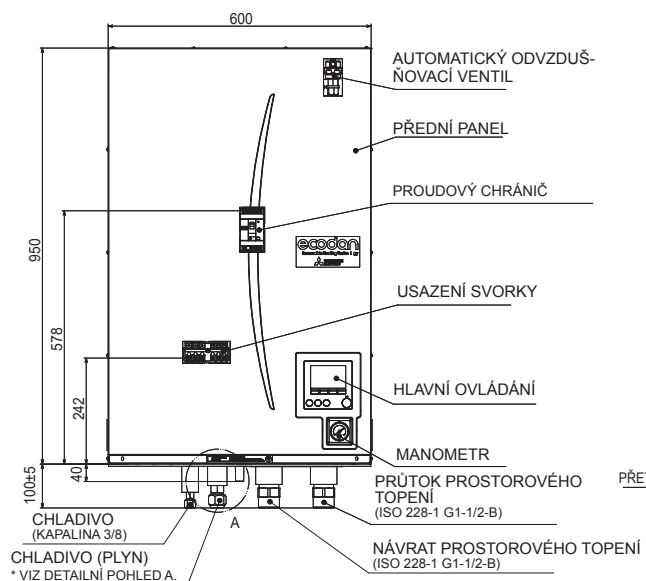
<Pohled zdola>

<ERS*> (systém Split pro vytápění i chlazení)

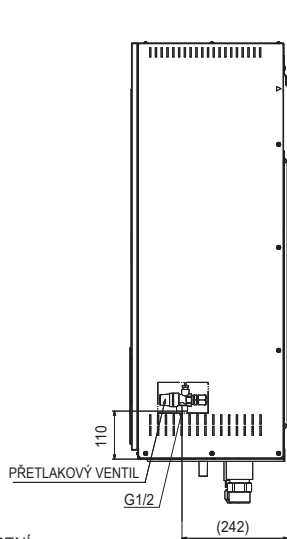


<Pohled zdola>

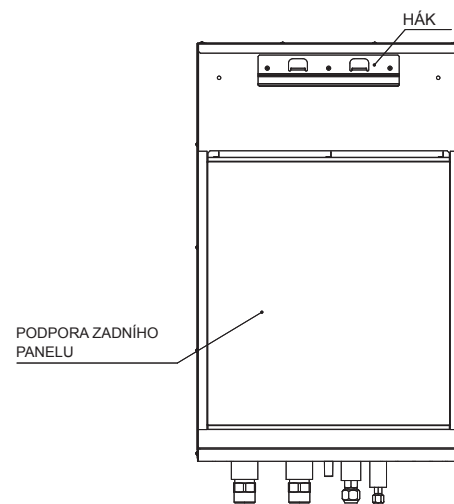
<E*SE> (Topení / Systém topení a chlazení)



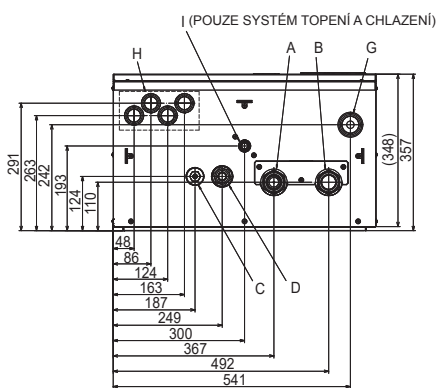
<Přední>



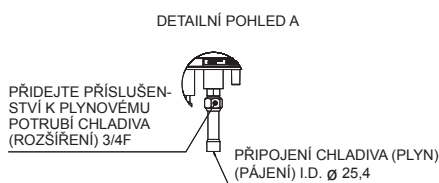
<Boční>



<Zadní>



<Pohled zespu>

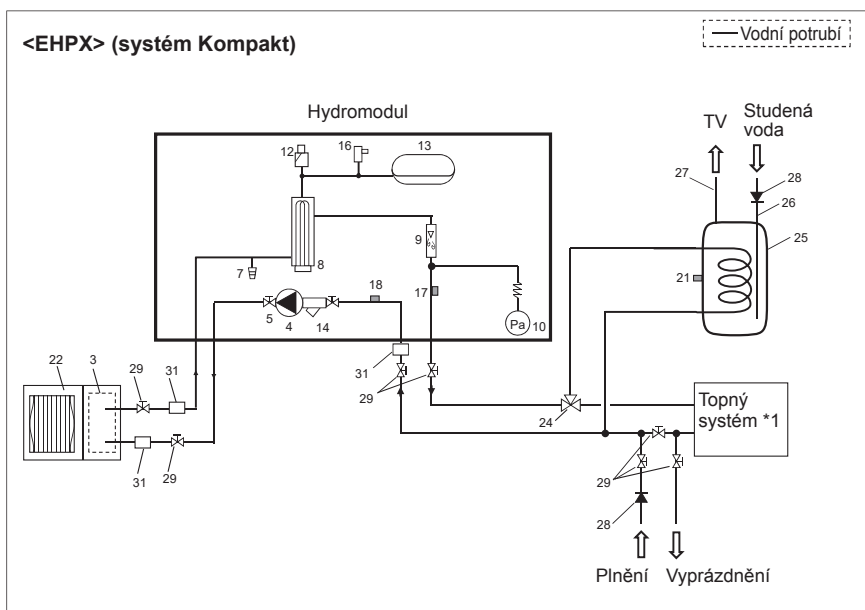


CS

3 Technické informace

Hydraulické uspořádání

*1 viz následující kapitola [Topný systém].



<Obr. 3.5>

Upozornění:

- Při instalaci přípojek TU dbejte na dodržení platných místních předpisů.
- Přípojky pro TV nejsou v balení hydromodulu obsaženy. Všechny potřebné díly jsou z externích dodávek.
- Pro zajištění plnění namontujte uzavírací ventily na plnicí i výpustné hrdlo hydromodulu.
- K plnicímu hrdlu hydromodulu namontujte filtr.
- Ke všem přetlakovým ventilům by podle předpisů platných ve Vaší zemi měla být namontovaná odtoková potrubí.
- Do přívodu studené vody namontujte zpětný ventil podle normy IEC 61770.
- Pokud se spojují prvky zhotovené z různých kovů, musejí se spojky izolovat, aby se zabránilo poškození korozi.

č.	Označení dílu	EHPX- -M*(ED)	EHS- MED	EHS- *M*D	EHS- YM 9ED	ERS- -M*(E) D	ERS- MED
1	Skříňový rozvaděč	✓	✓	✓	✓	✓	✓
2	Hlavní ovládání	✓	✓	✓	✓	✓	✓
3	Deskový výměník (chladiivo - voda)	-	✓	✓	✓	✓	✓
4	Oběhové čerpadlo topné zóny 1	✓	✓	✓	✓	✓	✓
5	Uzavírací ventil čerpadla	✓	✓	✓	✓	✓	✓
6	Odvzdušnění (ruční)	-	✓	✓	✓	✓	✓
7	Výpustný kohout (primární okruh)	✓	✓	✓	✓	✓	✓
8	Pomocný ohřivač 1, 2	✓	-	✓	✓	✓	-
9	Snímač průtoku	✓	✓	✓	✓	✓	✓
10	Tlakoměr	✓	✓	✓	✓	✓	✓
11	Přetlakový ventil (3 bary)	-	✓	✓	✓	✓	✓
12	Automatický odvzdušňovací ventil	✓	✓	✓	✓	✓	✓
13	Expanzní nádoba	✓*2	-	✓	-	✓*3	-
14	Filtr	✓	✓	✓	✓	✓	✓
15	Odtoková vana	-	-	-	-	-	-
16	Přetlakový ventil (5 bary)	✓*2	-	✓	-	✓*3	-
17	THW1	✓	✓	✓	✓	✓	✓
18	THW2	✓	✓	✓	✓	✓	✓
19	TH2	-	-	-	-	-	✓
20	Snímač tlaku	-	✓*4	✓*4	✓*4	✓*4	✓*4
21	THW5B (volitelně PAC-TH011TK2-E nebo PAC-TH011TKL2-E)	-	-	-	-	-	-
22	Venkovní jednotka	-	-	-	-	-	-
23	Výpustné potrubí (externí dodávka)	-	-	-	-	-	-
24	3-cestný ventil (externí dodávka)	-	-	-	-	-	-
25	Neprímý zásobník TV (externí dodávka)	-	-	-	-	-	-
26	Vstupní trubka studené vody (externí dodávka)	-	-	-	-	-	-
27	Výstupní trubka TV (externí dodávka)	-	-	-	-	-	-
28	Zpětná klapka (externí dodávka)	-	-	-	-	-	-
29	Uzavírací ventil (externí dodávka)	-	-	-	-	-	-
30	Magnetický filtr (externí dodávka) (doporučeno)	-	-	-	-	-	-
31	Filtr (externí dodávka)	-	-	-	-	-	-

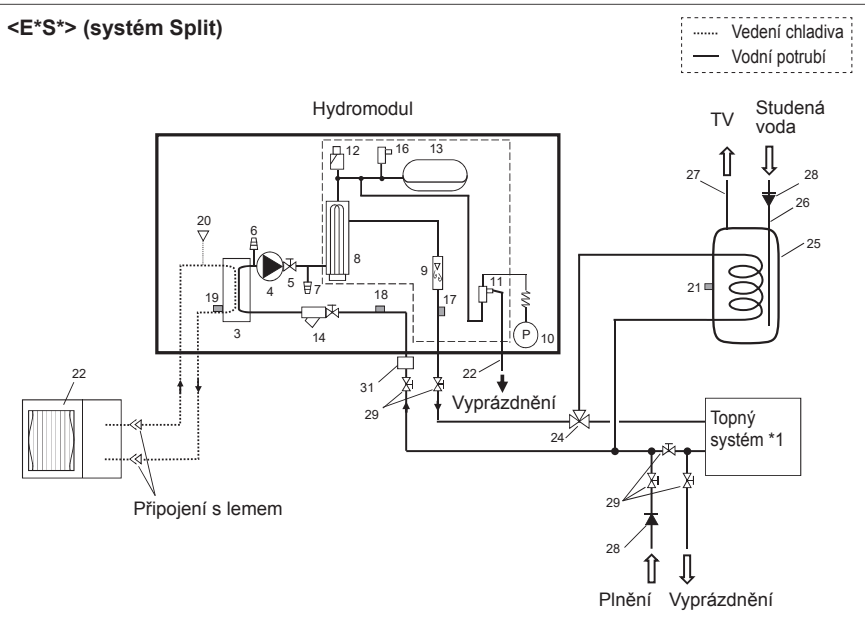
<Tabulka 3.5>

*1 viz následující kapitola [Topný systém].

*2 EHPX-YM9ED a EHPX-MED nejsou zahrnuty.

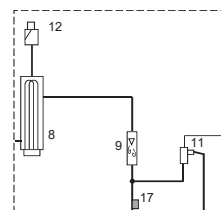
*3 ERSE-YM9ED není součástí dodávky.

*4 Pouze model 2HP(E*SD).



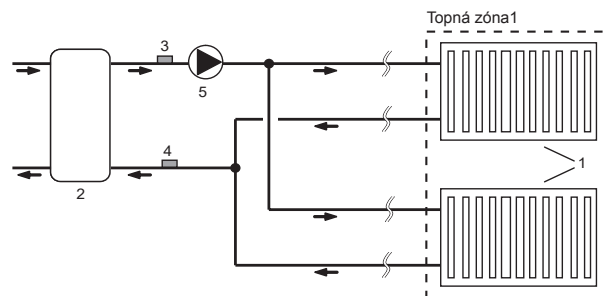
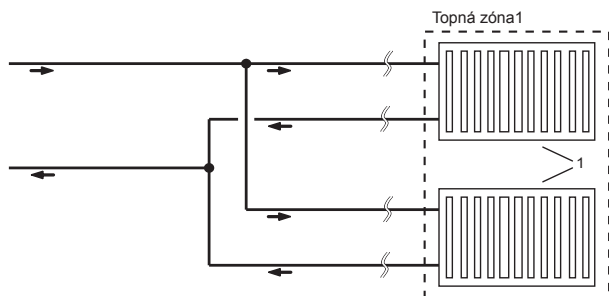
<Obr. 3.6>

<Pouze E*SE>

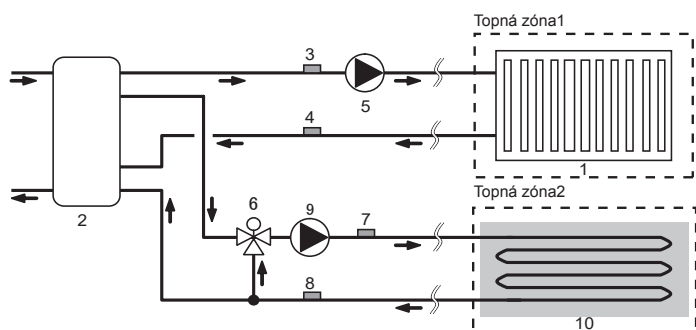


Topný systém

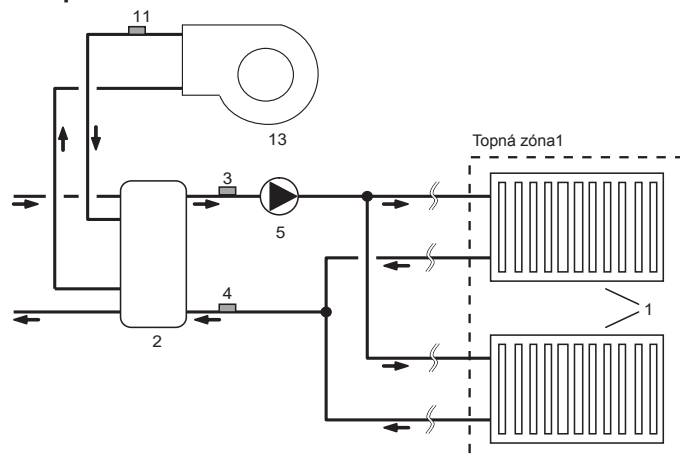
1 topná zóna



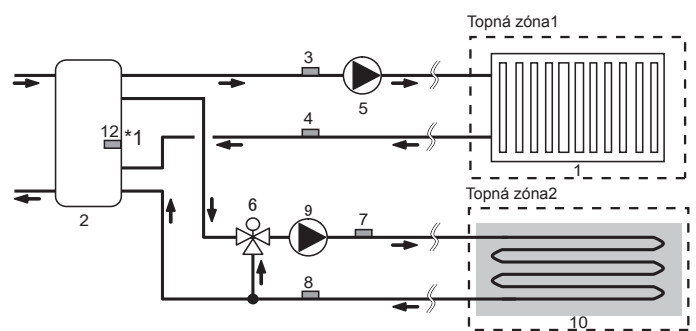
2 topné zóny



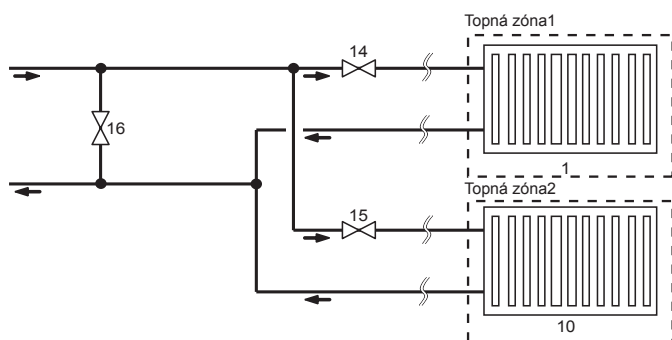
1 topná zóna s kotlem



2 topné zóny a regulace vyrovnávací nádrže



1 topné zóny (2cestný ventil, regulace ZAP/VYP)



1. Otopné plochy v topné zóně 1 (např. radiátory, konvektor s ventilátorem) (externí dodávka)
2. Taktovací nádoba (externí dodávka)
3. Teplotní čidlo vstupní voda Topná zóna 1 (THW6) } Volit. přísl.: PAC-TH011-E
4. Teplotní čidlo vratná voda Topná zóna 1 (THW7) }
5. Oběhové čerpadlo Topná zóna 1 (externí dodávka)
6. Směšovací ventil se servopohonem (externí dodávka)
7. Teplotní čidlo vstupní voda Topná zóna 2 (THW8) } Volit. přísl.: PAC-TH011-E
8. Teplotní čidlo vratná voda Topná zóna 2 (THW9) }
9. Oběhové čerpadlo Topná zóna 2 (externí dodávka)

10. Otopné plochy Topná zóna 2 (např. externě dodané podlahové topení)
11. Teplotní čidlo výstup od kotle (THWB1) } Volit. přísl.: PAC-TH012HT(L)-E
12. Teplotní čidlo pro směšovací zásobník (THW10) *1 }
13. Kotel (externí dodávka)
14. 2-cestný ventil Topná zóna 1 (externí dodávka)
15. 2-cestný ventil Topná zóna 2 (externí dodávka)
16. Obtokový ventil (externí dodávka)

*1 POUZE regulace vyrovnávací nádrže (topení/chlazení) se vztahuje na „Připraveno pro Smart Grid“.

<Příprava před instalací a údržbou>

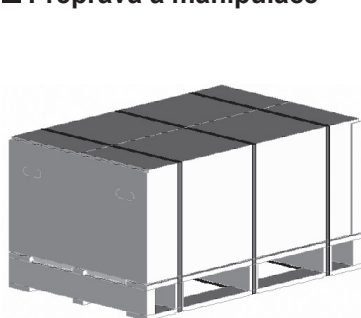
- Připravte si vhodné nářadí.
- Proveďte potřebná ochranná opatření.
- Před prováděním prací údržby nechte díly vychladnout.
- Zajistěte dostatečné větrání.
- Než začnete na zařízení pracovat, vypněte napájení a vytáhněte zástrčku ze zásuvky.
- Před zahájením práce na elektrickém zařízení vybijte kondenzátor.

<Preventivní opatření při údržbě>

- Práce na elektrických zařízeních neprovádějte s mokřima rukama.
- Na elektrické součásti nelijte a nestříkejte vodu ani jiné kapaliny.
- Vyhněte se styku s chladivem.
- Nedotýkejte se horkých ani studených povrchů vedení chladiva.
- Pokud se oprava nebo kontrola musí provádět bez odpojení napájení, dbejte zvláště na to, abyste se nedotkli žádných dílů pod napětím.

4.1 Umístění

■ Přeprava a manipulace



<Obr. 4.1.1>

Hydromodul se dodává na dřevěné paletě s ochranným obalem z kartonu.



<Obr. 4.1.2>

Při přepravě hydromodulu se musí dbát, aby se nepoškodila jeho skříň. Ochranný obal odstraňte, teprve když je hydromodul na definitivním místě jeho instalace. Tím je chráněna jak konstrukce, tak zejména hlavní ovládání.

Upozornění:

- Hydromodulem musejí manipulovat **VŽDY** nejméně dvě osoby.
- Při přemísťování nebo zvedání hydroboxu **NEDRŽTE** potrubí.

■ Vhodné umístění

Před instalací by hydromodul měl být uskladněn na místě chráněném proti povětrnosti, kde nemrzne. Jednotky se nesmějí stohovat jedna na druhou.

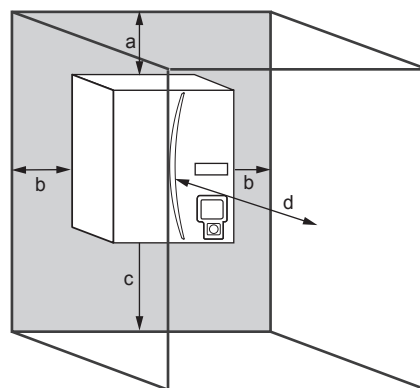
- Hydromodul se musí v budově nainstalovat do místa chráněného proti povětrnosti, kde nemrzne.
- Hydromodul nainstalujte na místo, kde nebude vystaven působení vody ani vysoké vzdušné vlhkosti.
- Hydromodul se musí umístit na rovnou stěnu, které je schopna nést jeho hmotnost včetně obsahu.
- K otázce hmotnosti viz „3. Technické informace“.
- Dodržte minimální odstupy pro práce při údržbě podle <obr. 4.1.3>.
- Zajistěte hydromodul proti převrácení.
- Hydromodul musí být na stěně upevněn pomocí háku a nástěnného držáku. <Obr. 4.1.2>

■ Minimální odstupy pro práce při údržbě

Minimální odstupy - hydromodul	
Pozice	Minimální odstup (mm)
a	200
b	150
c	500
d	500

<Tabulka 4.1.1>

Pro pokládku odtokových potrubí **MUSÍ** BÝT ponechán dostatečný prostor podle platných místních i národních předpisů.



<Obr. 4.1.3>

Minimální odstupy pro práce při údržbě

Hydromodul musí být umístěn uvnitř budovy, v prostředí kde nemrzne; například v technické místnosti. Tím se zároveň minimalizují tepelné ztráty, naakumulované ve vodě, do okolí.

■ Přemísťování hydromodulu

Pokud potřebujete hydromodul přemístit, musíte jej předtím **ÚPLNĚ VYPRÁZDNIT**, jinak hrozí jeho poškození.

Upozornění: Při přemísťování nebo zvedání hydroboxu NEDRŽTE potrubí.

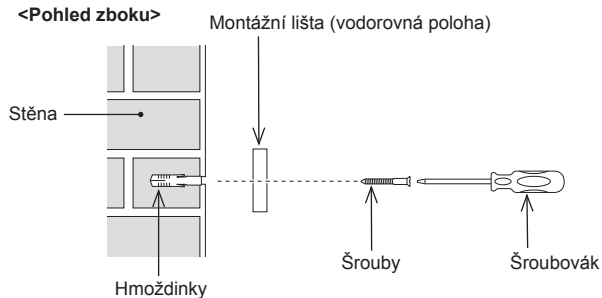
4 Instalace

Montáž

1. Nainstalujte montážní lištu dodanou jako příslušenství.

* Při instalaci montážní lišty použijte externě dodané šrouby a k nim odpovídající hmoždinky.

<Pohled z boku>



<Obr. 4.1.4>

- Zadní desku namontujte správně s vodorovným zářezovým profilem NAHOŘE. Montážní lišta je opatřena kruhovými nebo oválnými otvory pro šrouby. Aby jednotka nespadla ze stěny, zvolte odpovídající počet otvorů, resp. pozic otvorů, a upevněte lištu vodorovně na vhodné místo na stěně.

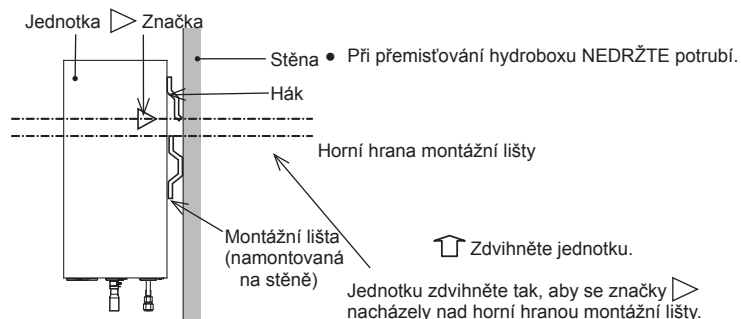
2. Hák na zadní straně hydromodulu zaklesněte do vybrání v montážní liště.

* Zdvíhání hydromodulu se usnadní, když jej nejdříve nakloníte kupředu s pomocí výstelky přibalené v obalu.

i) Na pravé a levé stěně jsou značky ▷.

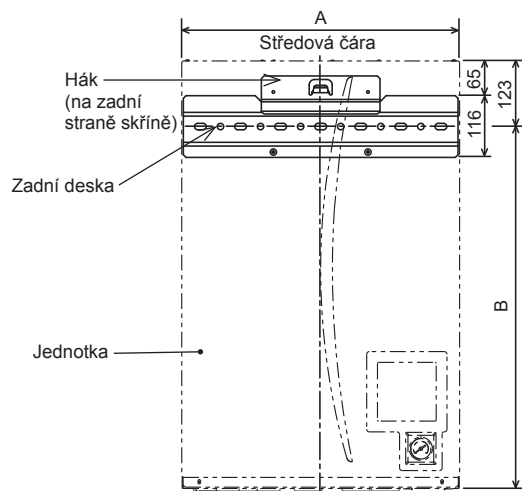
Jednotku zdvihněte tak, aby se značky ▷ nacházely nad horní hranou montážní lišty, jak je zobrazeno níže.

<Pohled na jednotku z boku>



<Obr. 4.1.5>

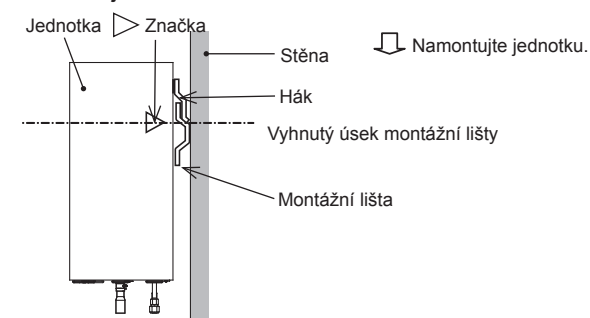
<Čelní pohled na jednotku>



<Obrázek 4.1.7>

ii) Zkontrolujte a ujistěte se, že jsou symboly ▷ na svých místech a správně připojeny na úrovni ohnuté části na zadní desce, jak je zobrazeno níže.

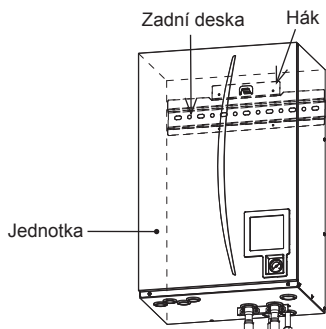
<Pohled na jednotku z boku>



<Obr. 4.1.6>

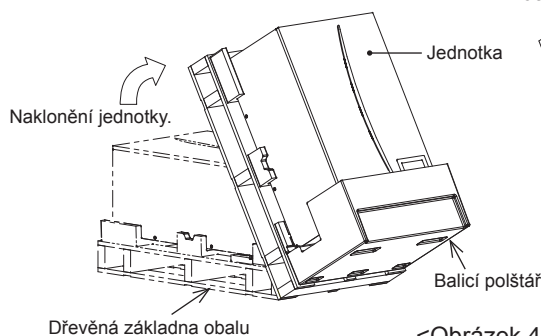
- Obrázek 4.1.7 znázorňuje relativní polohy mezi jednotkou a zadní deskou zajištěnou stěnou. Nainstalujte zadní desku podle <Obrázku 4.1.3> Servisní přístup.

Hydrobox	Rozměry (mm)	
	A	B
E*SC	530	677
E*SD		
EHPX		
E*SE	600	827

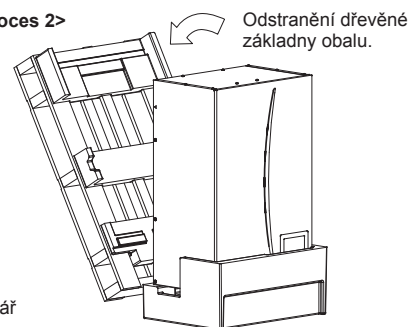


<Obrázek 4.1.8>

<Proces 1>



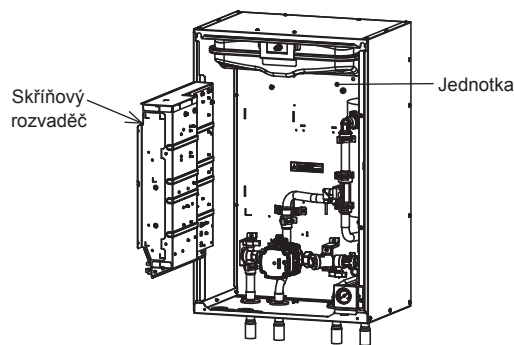
<Proces 2>



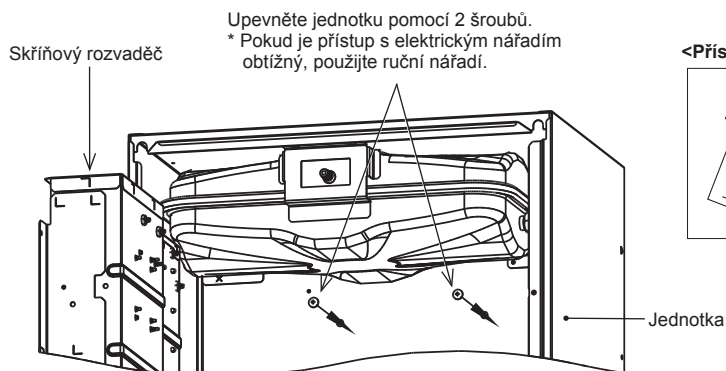
<Obrázek 4.1.9>

4 Instalace

3. Podle části „Jak přistupovat k vnitřním součástem a řídicí a elektrické skříni“ upevněte jednotku k zadní desce pomocí přiložených 2 šroubů (položky příslušenství).

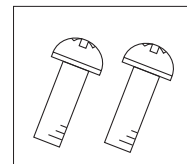


<Obr. 4.1.7>

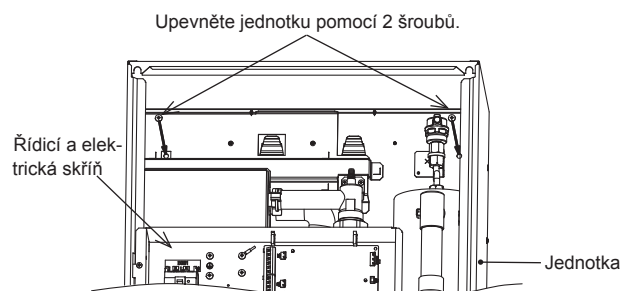


<Obr. 4.1.8>

<Příslušenství>



Šroub M5x8



<Obr. 4.1.12>

POZOR: Ještě PŘEDTÍM, než provedete propojení potrubí zařízení, dejte pozor, aby tyto dva šrouby byly namontovány a pevně utaženy. Jinak by se hák mohl uvolnit a jednotka spadnout.

4.2 Kvalita vody a příprava systému

■ Všeobecné informace

- Voda v obou okruzích - primárním i sekundárním pro pitnou vodu - musí být čistá a musí mít hodnotu pH v rozmezí 6,5 - 8,0
- Platí následující nejvyšší hodnoty:
Vápník: 100 mg/L, vápníková tvrdost: 250 mg/L
Chlór: 100 mg/L, Měď: 0,3 mg/L
- Obsah ostatních příměsí by měl odpovídat požadavkům evropské normy 98/83 EG.
- Aby se zabránilo minimalizovat tvorbu vodního kamene v oblastech známých vysokou tvrdostí vody, je výhodné omezit normální teplotu v zásobníku TV na 55°C.

■ Ochrana proti mrazu

Přípravky pro dosažení mrazuvzdornosti by měly obsahovat propylenglykol s toxicitou třídy 1 podle Clinical Toxicology of Commercial Products, vydání 5.

Upozornění:

1. Ethylenglykol je jedovatý - a pokud je možnost křížové kontaminace pitné vody, v primárním okruhu by se NEMĚL používat.
2. Při nespojitě regulaci (ZAP/VYP) s 2-cestnými ventily by se měl použít propylenglykol.

■ Nová instalace (primární okruh)

- Před připojením venkovní jednotky důkladně očistěte potrubí vhodným chemickým čisticím prostředkem od stavební suti, prachu, zbytků po pájení atd.
- Systém vypláchněte, abyste odstranili zbytky chemických čisticích prostředků.
- U všech systémů Kompakt přidejte kombinovaný přípravek k ochraně proti mrazu a k potlačení koroze, abyste zabránili poškození potrubí a prvků systému.
- U systémů Split musí odpovědný montážní technik podle podmínek v daném místě posoudit, jestli je potřebný přípravek k ochraně proti mrazu. Inhibitor koroze ale musí být přidán vždy.

■ Existující instalace (primární okruh)

- Před připojením venkovní jednotky se stávající topný okruh MUSÍ chemicky vyčistit a zbavit všech zbytků nečistot.
- Systém vypláchněte, abyste odstranili zbytky chemických čisticích prostředků.
- U všech systémů Kompakt (monoblok) přidejte kombinovaný přípravek k ochraně proti mrazu a k potlačení koroze, abyste zabránili poškození potrubí a prvků systému.
- U systémů split musí odpovědný instalatér podle podmínek v daném místě posoudit, jestli je potřebný přípravek k ochraně proti mrazu. Musí se ale vždy přidat inhibitor koroze.

Při použití chemických čisticích prostředků vždy postupujte podle pokynů výrobce a zajistěte, aby daný výrobek byl vhodný pro pracovní látky použité v primárním okruhu.

■ Minimální potřebné množství vody v topném / chladicím okruhu

Venkovní jednotka tepelného čerpadla	Průměrné/teplejší klima**		Chladnější klima**	
	Vnitřní jednotka obsahující množství vody [L]	*Další požadované množství vody [L]	Vnitřní jednotka obsahující množství vody [L]	*Další požadované množství vody [L]
Kompakt	PUZ-WM50	2	5	24
	PUZ-WM60	4		29
	PUZ-WM85	7		32
	PUZ-WM112	11		43
	PUZ-HWM140	15		55
Split	SUZ-SWM40	1	5	12
	SUZ-SWM60	2		21
	SUZ-SWM80	4		29
	PUHZ-FRP71	6		27
	PUHZ-SW75	6		27
	PUHZ-SW100	9		38
	PUHZ-SW120	12		47
	PUHZ-SW160	18		64
	PUHZ-SW200	24		81
	PUHZ-SHW80	6		29
	PUHZ-SHW112	11		43
	PUHZ-SHW140	15		55
	PUHZ-SHW230	28		94
	PUMY-P112	22		75
PUMY-P125	22	75		
PUMY-P140	22	75		

<Tabulka 4.2.1>

* Pokud existuje obtokový okruh, výše uvedená tabulka znamená minimální množství vody v případě obtoku.

** Viz 2009/125/ES: Směrnice o energetických produktech a nařízení (EU) č. 813/2013 pro potvrzení vaší klimatické zóny.

Případ 1. Žádné rozdělení mezi primárním a sekundárním okruhem

- Zajistěte požadované množství vody podle tabulky 4.2.1 podle vodovodního potrubí a radiátorů nebo podlahového vytápění.

Případ 2. Oddělený primární a sekundární okruh

- Není-li k dispozici blokovácí operace primárního a sekundárního oběhového čerpadla, zajistěte prosím dodatečnou vodu pouze v primárním okruhu podle tabulky 4.2.1.
- Pokud je k dispozici blokovácí operace primárního a sekundárního oběhového čerpadla, zajistěte celkové množství vody primárního a sekundárního okruhu podle tabulky 4.2.1.

V případě nedostatku požadovaného množství vody nainstalujte vyrovnávací zásobník.

4 Instalace

4.3 Vodní potrubí

Upozornění: Zajistěte, aby připojená potrubí mechanicky nenamáhala potrubí hydromodulu; upevněte je ke stěně nebo je ved'te jinudy.

■ Potrubí pro teplou vodu

Při instalaci se musí kontrolovat funkce následujících pojistných prvků hydromodulu; sledujte nápadné projevy.

- Přetlakový ventil (primární okruh a zásobník TV)
- Plnicí tlak expanzní nádoby (provozní tlak)

Musíte pečlivě dodržet pokyny pro bezpečný odtok horké vody z bezpečnostních (pojistných) zařízení.

- Protože potrubí se velmi silně zahřívají, musejí být izolovaná tak, aby se zabránilo popálení.
- Při připojování potrubí se postarejte, aby se do potrubí nedostala žádná cizí tělesa, jako jsou zbytky nečistot a podobně.

■ Přípojky pojistných zařízení

Hydrobox obsahuje přetlakový ventil. (viz <Obrázek 4.3.1>) Velikost připojení je G1/2" typu samice. Instalační technik MUSÍ zodpovědně připojit příslušné vypouštěcí potrubí od tohoto ventilu v souladu s místními a vnitrostátními předpisy.

Pokud to neudělá, přetlakový ventil vypustí vodu přímo do hydromodulu, což vážně poškodí výrobek.

Všechna odtoková potrubí musejí být odolná vůči horké vodě. Odtoková potrubí musejí mít po celé délce dostatečný spád. Odtoková potrubí musejí být trvale volná, otevřená.

Upozornění: Dbejte, aby tlakoměr a přetlakový ventil NEBYLY mechanicky namáhány na straně kapiláry.

Jestliže se přetlakový ventil montuje jako dodatečné vybavení, je (z bezpečnostních důvodů) mimořádně důležité, aby mezi přípojkou na hydromodulu a přetlakovým ventilem nebyl žádný zpětný ventil ani uzavírací ventil či kohout.

■ Filtr (POUZE pro řadu EHPX)

Nainstalujte filtr nebo lapač nečistot (externí dodávka) na vstup pro vodu („Potrubí E“ v tabulce 3.4, viz též schéma v obr. 3.5)

■ Přípojky pro potrubí

Připojení k hydroboxu by mělo být provedeno podle potřeby pomocí 28mm svěrné spojky (řada EHSC/D) nebo matice G1 (řada ERSC/D), matice G1-1/2 (řada E*SE). (Hydrobox má připojení závitem G1 nebo G1-1/2 (typu samec).) Svěrnou spojku neutahujte nadměrně, protože to vede k deformaci stlačovacího pouzdra a případně k netěsnosti.

Upozornění: Před pájením potrubí v provozu chraňte potrubí na hydroboxu mokrymi ručníky apod. jako „tepelným štítem“.

Pro připojení potrubí použijte dva klíče (viz <Obrázek 4.3.2>).

■ Výpustné potrubí (POUZE konstrukční řady ER)

Výpustné potrubí se musí instalovat kvůli odvádění kondenzátu při režimu chlazení.

- Výpustné potrubí nainstalujte spolehlivě, tak aby nedocházelo k úniku vody u přípojného výpustného hrdla.
- Výpustné potrubí dobře izolujte, aby se zabránilo odkapávání vody z potrubí.
- Výpustné potrubí instalujte se spádem 1 % nebo větším.
- Výpustné potrubí nezavádějte do odpadního kanálu, ve kterém se mohou vyskytovat plyny obsahující síru.
- Po instalaci zkontrolujte, jestli výpustné potrubí správně odvádí vodu z ústí výpustného hrdla.

<Instalace>

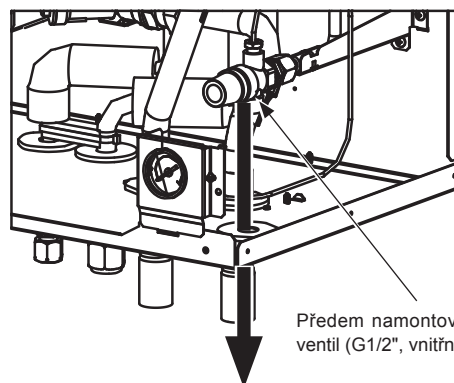
1. Šrafované plochy na výpustném potrubí opatřete lepicí páskou PVC podle obrázku.
2. Výpustné hrdlo zasuňte hluboko do výpustného potrubí <Obr. 4.3.3>.

Upozornění: Výpustné potrubí připravené externí dodávkou zajistěte podpěrami, aby od výpustného hrdla neodpadlo.

Pro zabránění vypuštění znečištěné vody přímo na podlahu vedle hydromodulu, prosím připojte vhodné odtokové potrubí z hydroboxu.

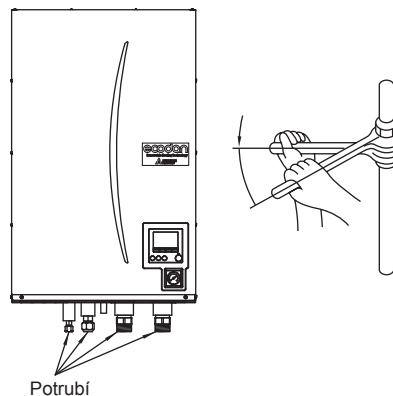
■ Izolace potrubí

- Všechna volně vedená potrubí musejí být izolována, aby se zabránilo zbytečným tepelným ztrátám a kondenzaci. Aby se kondenzát nedostal dovnitř hydroboxu, musejí se pečlivě izolovat rovněž potrubí a připojení na horní straně hydroboxu.
- Potrubí pro studenou a teplou vodu musejí být vedena s určitým vzájemným odstupem, aby se vyloučilo nežádoucí předávání tepla.
- Potrubí mezi venkovní jednotkou tepelného čerpadla a hydroboxem se musejí izolovat vhodným trubkovým izolačním materiálem s hodnotou tepelné vodivosti $\leq 0,04$ W/m.K.

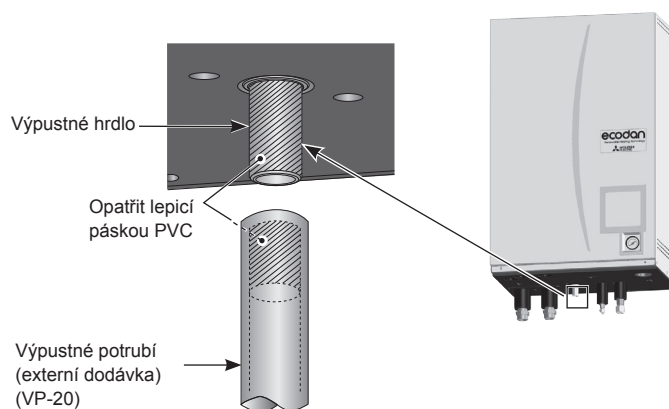


Vypusťte do odtoku (potrubí MUSÍ namontovat instalační technik)

<Obr. 4.3.1>



<Obr. 4.3.2>



<Obr. 4.3.3>

■ Pole charakteristik oběhových čerpadel

Otáčky čerpadla lze volit nastavením na hlavním ovládacím (viz <obr. 4.3.4 - 4.3.9>). Otáčky čerpadla nastavte tak, aby objem. průtok v primárním okruhu byl vhodný pro instalovanou venkovní jednotku (viz tab. 4.3.1). V závislosti na délce a dopravní výšce v primárním okruhu se případně musí do okruhu nainstalovat ještě přídavné čerpadlo. U venkovní jednotky, která není v tabulce <Tab. 4.3.1> uvedena použijte rozsah objemového průtoku, uvedený v tabulce specifikací v Databook k venkovní jednotce.

<Druhé čerpadlo>

Pokud je pro instalaci nezbytné druhé čerpadlo, přečtěte si prosím pozorně následující pokyny. Jestliže se v systému používá druhé čerpadlo, může být osazeno dvěma různými způsoby. Poloha čerpadla má vliv na to, ke které sorce FTC se má připojit signální kabel. Pokud přídavné čerpadlo (čerpadla) odebírá (odebírají) větší proud než 1 A, použijte vhodné relé. Signální kabel čerpadla se může připojit buď na TBO.1 1-2, nebo na CNP1 - ale nikoliv na obojí.

Možnost 1 (pouze režim Topení)

Pokud se druhé čerpadlo používá pouze pro topný okruh, musí se signální kabel připojit ke svorkám 3 a 4 (OUT2) u TBO.1. V této pozici lze čerpadlo provozovat s jinými otáčkami, než čerpadlo zabudované v hydromodulu.

Možnost 2 (primární okruh TV a režim Topení)

Pokud se druhé čerpadlo používá v primárním okruhu mezi hydromodulem a venkovní jednotkou (pouze u systému Kompakt), musí se signální kabel u TBO.1 připojit ke svorkám 1 a 2 (OUT1). V této pozici MUSEJ otáčky čerpadla odpovídá otáčkám čerpadla instalovaného v hydromodulu.

Upozornění: Viz 5.2 Připojení vstupů / výstupů.

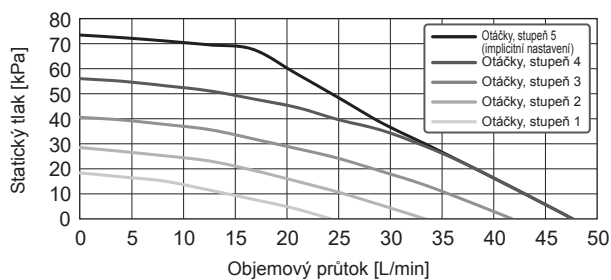
Venkovní jednotka tepelného čerpadla		Rozsah hodnot objemového průtoku vody [L/min]
Kompakt	PUZ-WM50	6,5 - 14,3
	PUZ-WM60	8,6 - 17,2
	PUZ-WM85	10,8 - 25,8
	PUZ-WM112	14,4 - 32,1
	PUZ-HWM140	17,9 - 36,9
Split	SUZ-SWM40	6,5 - 11,4
	SUZ-SWM60	7,2 - 17,2
	SUZ-SWM80	7,8 - 21,5
	PUHZ-FRP71	11,5 - 22,9
	PUHZ-SW75	10,2 - 22,9
	PUHZ-SW100	14,4 - 32,1
	PUHZ-SW120	20,1 - 36,9
	PUHZ-SHW80	10,2 - 22,9
	PUHZ-SHW112	14,4 - 32,1
	PUHZ-SHW140	17,9 - 36,9
	PUMY-P112	17,9 - 35,8
	PUMY-P125	17,9 - 35,8
	PUMY-P140	17,9 - 35,8

<Tabulka 4.3.1>

* Je-li objemový průtok nižší, než 5,0 L/min, aktivuje se snímač průtoku v hydromodulu. Při překročení objemového průtoku 36,9 L/min. je rychlost proudění větší, než 2,0 m/s - a to by mohlo vést k erozi vnitřního povrchu potrubí.

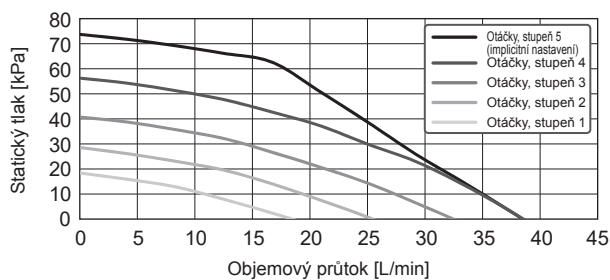
Charakteristiky čerpadla

Konstrukční řada EHPX



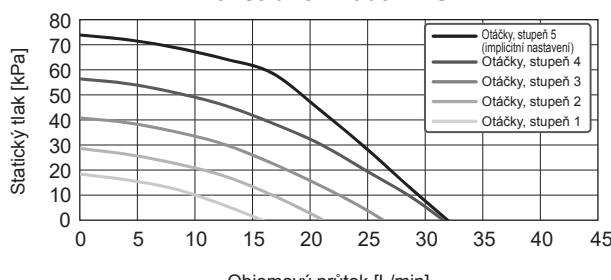
<Obr. 4.3.4>

Konstrukční řada ERSC



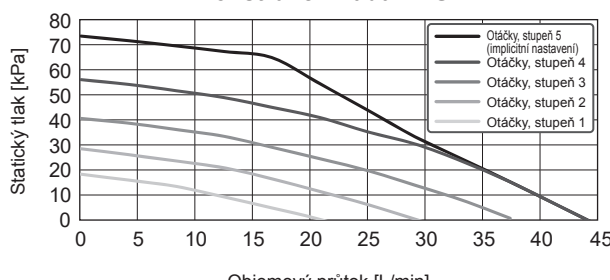
<Obr. 4.3.5>

Konstrukční řada ERSD



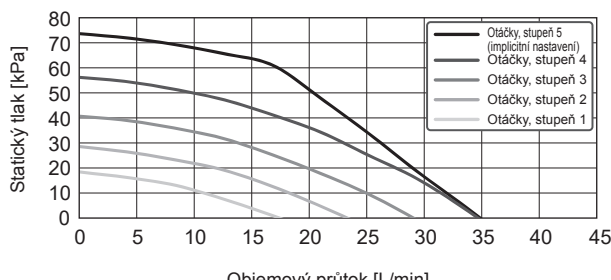
<Obr. 4.3.6>

Konstrukční řada EHSC



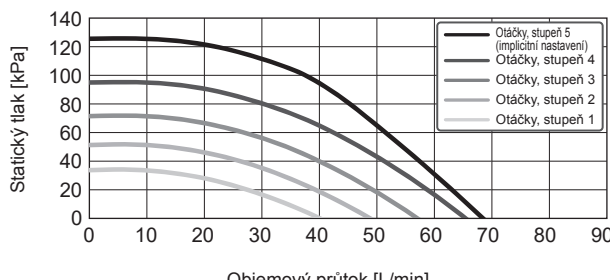
<Obr. 4.3.7>

Konstrukční řada EHSD



<Obr. 4.3.8>

Konstrukční řada E*SE



<Obr. 4.3.9>

4 Instalace

■ Dimenzování expanzních nádob

Objem expanzních nádob musí odpovídat objemu vody v systému.

Pro návrh objemu expanzní nádoby lze použít následující vzorec a křivku.

Je-li potřebný objem expanzní nádoby větší než objem zabudované expanzní nádoby, nainstalujte přídavnou expanzní nádobu, aby součet objemů expanzních nádob byl větší, než potřebný minimální objem.

* Při instalaci modelu E***-M*ED zajistěte a namontujte vhodnou primární expanzní nádobu a přídavný přetlakový ventil o jmenovitém tlaku 3 bar, protože model není vybaven expanzní nádobou na primární straně.

$$V = \frac{\varepsilon \times G}{1 - \frac{P_1 + 0,098}{P_2 + 0,098}}$$

příčemž

V : potřebný objem expanzní nádoby [L]

ε : součinitel tepelné roztažnosti vody

G : celkový objem vody v systému [L]

P₁ : nastavený tlak u expanzní nádoby [MPa]

P₂ : maximální tlak za provozu [MPa]

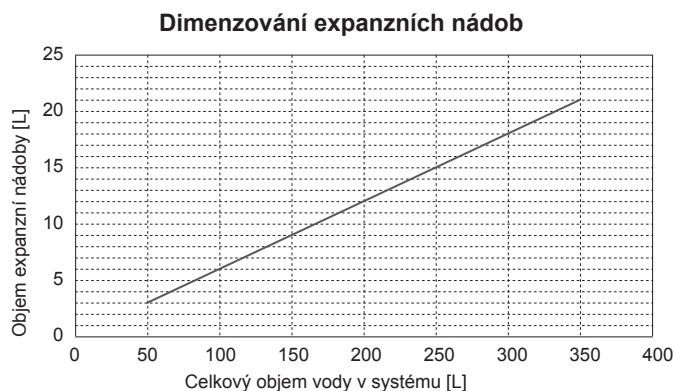
Křivka vpravo platí pro následující hodnoty

ε : při 70°C = 0,0229

P₁ : 0,1 MPa

P₂ : 0,3 MPa

*Bezpečnostní volný objem 30% je již zohledněn.

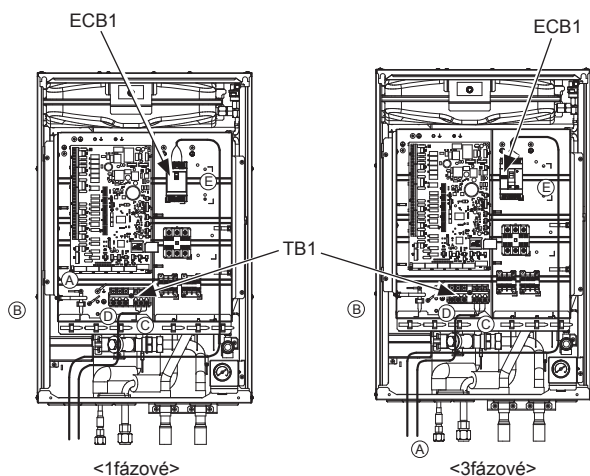


<Obr. 4.3.10>

4.4 Elektrická připojení

Všechny práce na elektrických zařízeních musí provádět technik s odpovídající kvalifikací. Nedodržení tohoto požadavku může způsobit úraz elektrickým proudem, i smrtelný, nebo požár. Vede také k neplatnosti záruky. Veškeré zapojení (kabeláž) musí odpovídat předpisům platným v daném státě.

Zkratka spínače	Význam
ECB1	Proudový chránič pro pomocný ohřivač
TB1	Svorkovnice 1



<Obr. 4.4.1>

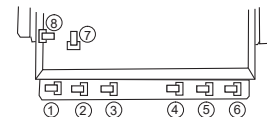
Hydromodul lze napájet dvojitým způsobem.

1. Síťový kabel se vede od venkovní jednotky k hydromodulu.
2. Hydromodul má nezávislý zdroj napájení.

Přívody se musejí připojit podle fáze, ke svorkám, které jsou na obrázcích nakresleny vlevo dole.

Pomocný ohřivač a přímotopná patrona (TV) musejí být připojeny každý samostatně k vlastnímu zdroji napájení.

- A) Kabely (externí dodávka) musejí být vedeny průchodkami na spodní straně hydromodulu. (viz <Tab. 3.4>.)
- B) Vodiče musejí být zavedeny na levé straně rozvaděče směrem dolů a pevně zařazeny k tomu určenými přichytkami.
- C) Vodiče by měly být připevněny kabelovými páskami, jak je znázorněno níže.
 - 2) Výstupní vodiče
 - 3) Vodič dovnitř - ven
 - 6) Elektrický kabel (P.O.)
 - 7) Vodiče pro vstup signálů
Vodič pro přijímač prostor.
DO (volitelné přísl.)
(PAR-WR51R-E)
- D) Spojovací kabel Venkovní jednotka - hydromodul připojte k TB1.
- E) Připojte síťový kabel pro pom. ohřivač k ECB1.



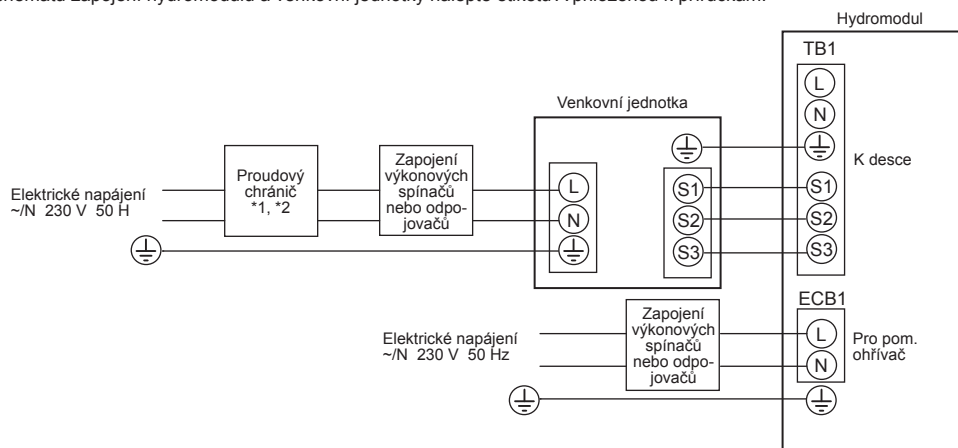
• Ujistěte se, že ECB1 je ZAPNUTÉ.

4 Instalace

Elektrické napájení hydromodulu přes venkovní jednotku
(Pokud chcete použít nezávislý zdroj, přejděte na webovou stránku Mitsubishi.)

<1fázové>

Vedle každého schématu zapojení hydromodulu a venkovní jednotky nalepte etiketu A přiloženou k příručkám.

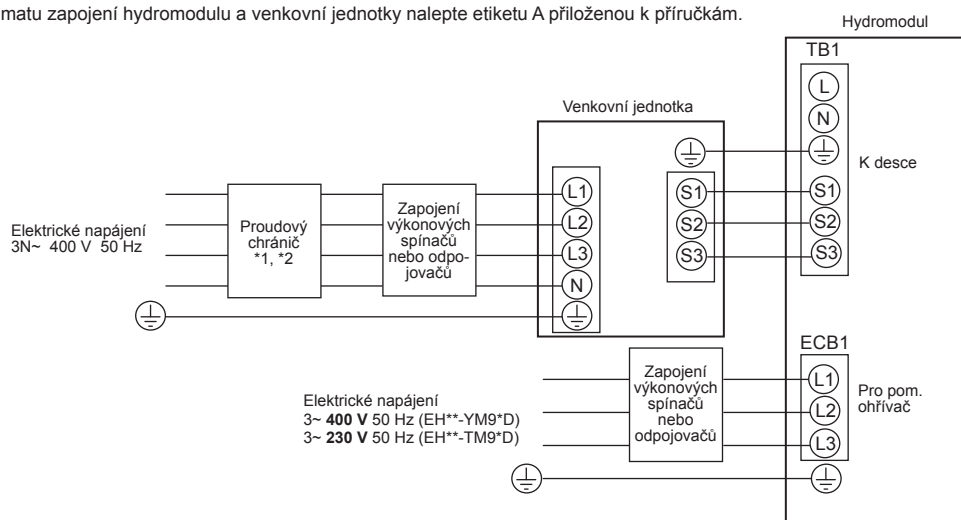


<Obr. 4.4.2>
Elektrické přívody, 1fázové

Popis	Napájení	Výkon	Jištění	Zapojení
Pom. ohřivač	~N 230 V 50 Hz	2 kW	16 A *2	2,5 mm ²
		6 kW	32 A *2	6,0 mm ²

<3fázové>

Ke každému schématu zapojení hydromodulu a venkovní jednotky nalepte etiketu A přiloženou k příručkám.



<Obr. 4.4.3>
Elektrické přívody, 3fázové

Popis	Napájení	Výkon	Jištění	Zapojení
Pom. ohřivač	3~ 400 V 50 Hz	9 kW	16 A *2	2,5 mm ²
	3~ 230 V 50 Hz	9 kW	32 A *2	6,0 mm ²

Zapojení	Zapojení č. x Průřez (mm ²)	Hydromodul - venkovní jednotka	*3	3 x 1,5 (polární)
		Hydromodul - uzemnění venkovní jednotky	*3	1 x min. 1,5
Druh napětí		Hydromodul - venkovní jednotka S1 - S2	*4	230 V stříd.
		Hydromodul - venkovní jednotka S2 - S3	*4	24 V ss.

- *1. Jestliže nainstalovaný proudový chránič nemá funkci ochrany proti nadměrnému proudu, nainstalujte do tohoto vedení jištění s touto funkcí.
- *2. Předpokládá se spínač s oddělením kontaktů u každého pólu nejméně o 3 mm. Použijte proudový chránič (NV).
Musí se počítat se spínačem k oddělení všech pasivních fázových vodičů napájení.
- *3. Max. 45 m. Při použití vodiče 2,5 mm² max. 50 m. Při použití vodiče 2,5 mm² a oddělení S3, max. 80 m
- *4. Výše uvedené hodnoty nejsou vždy měřeny proti zemi.

Upozornění: 1. Zapojení vodičů musí odpovídat příslušným místním i obecně platným předpisům a normám.

2. Přívodní kabely od venkovní jednotky k hydromodulu nesmějí být horší kvality než ohebné vodiče s opláštěním z polychloroprénu. (provedení 60245 IEC 57)

Přívodní kabely k vnitřní jednotce nesmějí být horší kvality než ohebné vodiče s opláštěním z polychloroprénu. (provedení 60227 IEC 53)

3. Nainstalujte uzemnění, které je delší než ostatní kabely.

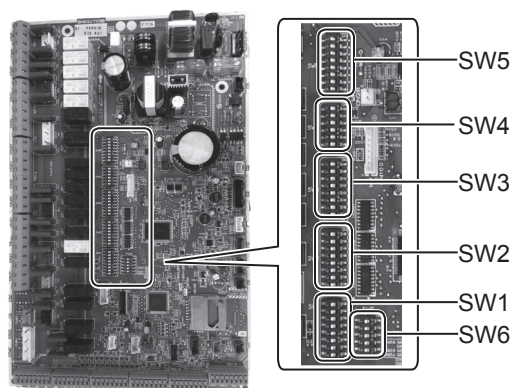
4. Postarejte se, aby napájení každého topného zdroje mělo dostatečný výstupní výkon. Nedostatečný výkon napájení by mohl způsobit odsakování kontaktů.

5 Nastavení a seřízení systému

5.1 Funkce přepínačů DIP

Číslo každého přepínače DIP je na desce natištěno vedle dotyčného přepínače. Slovo ON je natištěno na desce a zároveň i na vlastním bloku přepínačů DIP. K ovládání přepínačů potřebujete kulíčkovou tužku nebo podobný nástroj.

Nastavení přepínačů DIP jsou uvedena níže v tabulce 5.1.1. Nastavení spínače DIP může změnit pouze autorizovaná instalační firma podle podmínek v místě instalace, a to na vlastní odpovědnost. Než změníte nastavení přepínačů DIP, dejte pozor, aby jak napájení vnitřní jednotky, tak napájení venkovní jednotky byla odpojena.



<Obr. 5.1.1>

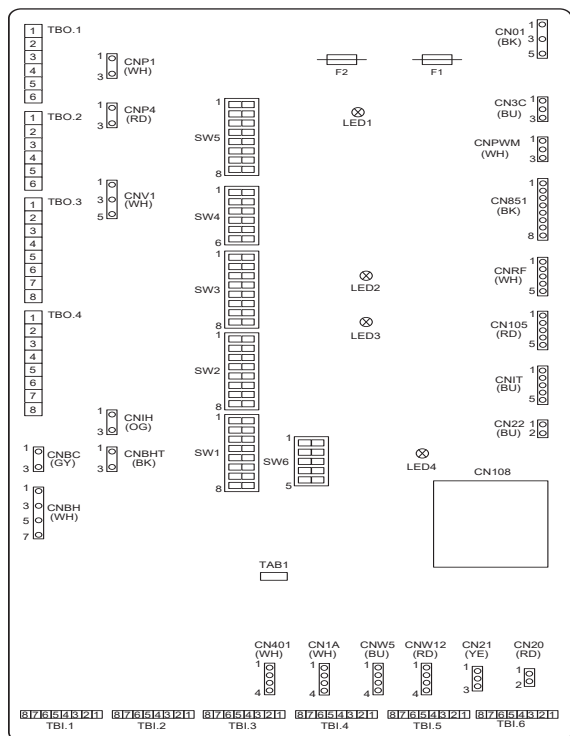
přepínač DIP	Funkce	OFF / VYP	ON / ZAP	Standardní nastavení: Typ vnitřní jednotky			
SW1	SW1-1 Kotel	BEZ kotle	S kotlem	OFF			
	SW1-2 Max. výstupní teplota vody tepel. čerpadla	55 °C	60 °C	ON *1			
	SW1-3 Zásobník TV	BEZ zásobníku TV	SE zásobníkem TV	OFF			
	SW1-4 Přímotopná patrona	BEZ přímo- topné patrony	S přímo- topnou patronou	OFF			
	SW1-5 Pomocný ohřivač	BEZ pomocného ohřivače	S pomocným ohřivačem	OFF: E***-MED ON : E***-M2/6/9*D			
	SW1-6 Funkce pom. ohřivače	Jen pro Topení	Pro Topení a TV	OFF: E***-MED ON : E***-M2/6/9*D			
	SW1-7 Typ venkovní jednotky	Split	Systémy Kompakt	OFF: Kromě EHPX-*M**D ON : EHPX-*M**D			
	SW1-8 Prostorové dálkové ovládání	BEZ dálkového ovládání	S dálkovým ovládáním	OFF			
SW2	SW2-1 Vstup prostor. termostat 1 (IN1) logická inverze	Stop provozu topné zóny 1 při Termostat „Sepnut“	Stop provozu topné zóny 1 při Termostat „Rozeprnut“	OFF			
	SW2-2 Vstup snímač průtoku 1 (IN2) logická inverze	Detekce chyby při „Sepnutí“	Detekce chyby při „Rozeprnutí“	OFF			
	SW2-3 Omezení výkonu pom. ohřivače	Neaktivní	Aktivní	OFF: Kromě E***-VM2D ON : E***-VM2D			
	SW2-4 Funkce režimu Chlazení	Neaktivní	Aktivní	OFF: Kromě ERS*-*M**D ON : ERS*-*M**D			
	SW2-5 Automatické přepnutí na druhý tepelný zdroj (když venkovní jednotka dále neběží kvůli chybě)	Neaktivní	Aktivní *2	OFF			
	SW2-6 Taktovací nádoba	BEZ taktovací nádoby	S taktovací nádobou	OFF			
	SW2-7 Regulace teploty ve 2 topných zónách	Neaktivní	Aktivní *6	OFF			
	SW2-8 Snímač průtoku	BEZ snímače průtoku	SE snímačem průtoku	ON			
SW3	SW3-1 Vstup prostor. termostat 2 (IN6) logická inverze	Stop provozu topné zóny 2 při Termostat „Sepnut“	Stop provozu topné zóny 2 při Termostat „Rozeprnut“	OFF			
	SW3-2 Logická inverze vstupu spínače průtoku 2 a 3	Detekce chyby při „Sepnutí“	Detekce chyby při „Rozeprnutí“	OFF			
	SW3-3 —	—	—	OFF			
	SW3-4 Měřič el. energie	BEZ měřiče	S měřičem	OFF			
	SW3-5 Funkce režimu Topení *3	Neaktivní	Aktivní	ON			
	SW3-6 2-cestný ventil, regulace ZAP/VYP	Neaktivní	Aktivní	OFF			
	SW3-7 Tepelný výměník pro TV	Výměník z hladkých trubek v zásobníku	Externí deskový výměník	OFF			
	SW3-8 Poměrový měřič tepla	BEZ poměrového měřiče tepla	S poměrovým měřičem tepla	OFF			
SW4	SW4-1 Řízení více venkovních jednotek	Neaktivní	Aktivní	OFF			
	SW4-2 Poloha při řízení více venkovních jednotek *7	Slave	Master	OFF			
	SW4-3 —	—	—	OFF			
	SW4-4 Provoz samotné vnitřní jednotky (během instalace) *4	Neaktivní	Aktivní	OFF			
	SW4-5 Nouzový provoz (v provozu je jen el. ohřev)	Normál	Nouzový provoz (v provozu je jen el. ohřev)	OFF *5			
	SW4-6 Nouzový provoz (provoz kotle)	Normál	Nouzový provoz (provoz kotle)	OFF *5			
SW5	SW5-1 —	—	—	OFF			
	SW5-2 Pokročilá automatická adaptace	Neaktivní	Aktivní	ON			
	SW5-3	Code de capacité					
	SW5-4	SW5-3	SW5-4	SW5-5	SW5-6	SW5-7	
	SW5-5	E*SC-*M**D	ON	ON	ON	ON	OFF
	SW5-6	E*SD-*M**D	ON	OFF	OFF	ON	OFF
	SW5-7	E*SE-*M**D	OFF	ON	ON	OFF	ON
	SW5-8	EHPX-*M**D	OFF	OFF	OFF	OFF	OFF
SW6	SW6-1 —	—	—	—	OFF		
	SW6-2 —	—	—	—	OFF		
	SW6-3 Snímač tlaku	Inactif		Fonction activée	OFF: Kromě E*SD-*M**D ON: E*SD-*M**D		
	SW6-4 Analogový výstup	Neaktivní		Aktivní	OFF		
	SW6-5 —	—	—	—	OFF		

<Tabulka 5.1.1>

- Upozornění:**
- *1. Je-li hydromodul připojen k venkovní jednotce PUIZ-RP, jejíž maximální výstupní teplota vody je 55 °C, musí se DIP SW1-2 přepnout na OFF (VYP).
 - *2. Při nastavení na ON (ZAP) je k dispozici externí výstup (OUT11). Z bezpečnostních důvodů není tato funkce při určitých závadách k dispozici. V takovém případě se musí nastavit provoz systému a dále běží pouze oběhové čerpadlo.)
 - *3. Tento přepínač funguje, jen když je hydromodul připojen k venkovní jednotce PUIZ-FRP. Je-li připojena venkovní jednotka jiného typu, je funkce režimu Topení neaktivní nezávisle na tom, jestli je tento přepínač na ON nebo na OFF.
 - *4. Provoz topení a ohřev teplé vody se mohou uskutečnit pouze ve vnitřní jednotce, například v elektrickém ohřevu (viz „5.4 Samostatný provoz vnitřní jednotky“.)
 - *5. Není-li nouzový provoz už dále zapotřebí, nastavte přepínač zpět do polohy OFF.
 - *6. Je aktivní, když je SW3-6 na ON.
 - *7. Je aktivní, když je SW4-1 na ON.

5 Nastavení a seřízení systému

5.2 Připojení vstupů / výstupů



<Obr. 5.2.1>

Specifikace vodičů a díly, které je třeba zajistit externí dodávkou

Poz.	Označení	Model a specifikace
Funkce vstupů signálu	Kabel	Použijte vodiče nebo kabel s opláštěním a s vinylovou izolací. Max. 30 m Typ vodiče: CV, CVS nebo rovnocenný Průměr vodiče: Lanko 0,13 mm ² až 0,52 mm ² , Plný vodič: ø0,4 mm až ø0,8 mm
	Spínač	Signály z bezpotenciálového kontaktu „a“. Dálkový spínač, minimální zatížení 12 V ss, 1 mA

Upozornění:

Lankový vodič by se měl opatřit izolovanou svorkovou lištou (provedení kompatibilní se standardem DIN 46228-4).

■ Vstupy pro signály

Označení	Svorkovnice	Konektor	Pozice	VYP („rozepruto“)	ZAP („sepruto“)
IN1	TBI.1 7-8	—	Vstup Prostor. termostat 1 *1	Viz SW2-1 v <5.1 Funkce přepínačů DIP>.	
IN2	TBI.1 5-6	—	Vstup Snímač průtoku 1	Viz SW2-2 v <5.1 Funkce přepínačů DIP>.	
IN3	TBI.1 3-4	—	Vstup Snímač průtoku 2 (topná zóna 1)	Viz SW3-2 v <5.1 Funkce přepínačů DIP>.	
IN4	TBI.1 1-2	—	Vstup Nucený provoz	Normální provoz	VYP Zdroj tepla / provoz Kotle *3
IN5	TBI.2 7-8	—	Vstup Venkovní termostat *2	Normální provoz	Provoz el. ohřevů/ provoz Kotle *3
IN6	TBI.2 5-6	—	Vstup Prostor. termostat 2 *1	Viz SW3-1 v <5.1 Funkce přepínačů DIP>.	
IN7	TBI.2 3-4	—	Vstup Snímač průtoku 3 (topná zóna 2)	Viz SW3-2 v <5.1 Funkce přepínačů DIP>.	
IN8	TBI.3 7-8	—	Měřič el. energie 1	*4	
IN9	TBI.3 5-6	—	Měřič el. energie 2		
IN10	TBI.2 1-2	—	Poměrový měřič tepla		
IN11	TBI.3 3-4	—	Vstup chytré sítě je připraven	*5	
IN12	TBI.3 1-2	—			
INA1	TBI.4 1-3	CN1A	Snímač průtoku	—	—

*1. Nastavte část cyklu zapínání/vypínání pokojového termostatu na 10 minut nebo déle. V opačném případě může dojít k poškození kompresoru.

*2. Pokud se k řízení doplňkových topných zdrojů používá venkovní termostat, může to zkrátit životnost těchto topných zdrojů a k nim příslušejících dílů.

*3. Pro zapnutí provozu kotle zvolte přes hlavní ovládání v okně menu Servis „Nastavení externího vstupu“ slovo „Kotel“.

*4. Měřiče el. energie a měřiče tepla, které lze připojit

- Druh impulzů: Bezpotenciálový kontakt pro 12 V ss, nastavení přes FTC (TBI.2 1 pin, TBI.3 5 a 7 pinů mají kladné napětí.)
- Doba trvání impulzu: Minimální doba ZAP: 40 ms
Minimální doba VYP: 100 ms
- Možný zdroj impulzů: 0,1 Počet impulzů/kWh 1 Počet impulzů/kWh 10 Počet impulzů/kWh 100 Počet impulzů/kWh 1000 Počet impulzů/kWh

Tyto hodnoty lze nastavit přes hlavní ovládání. (viz struktura menu v „Hlavní ovládání“.)

*5. Informace o připravenosti pro Smart Grid naleznete v příručce na webových stránkách.

■ Vstupy pro teplotní čidla

Označení	Svorkovnice	Konektor	Pozice	Označení volit. příslušenství
TH1	—	CN20	Prostorové teplotní čidlo (kabelové) (vol. přísl.)	PAC-SE41TS-E
TH2	—	CN21	Teplotní čidlo (teplota kapalného chladiva)	—
THW1	—	CNW12 1-2	Teplotní čidlo (teplota výstupní otopné vody)	—
THW2	—	CNW12 3-4	Teplotní čidlo (teplota vratné otopné vody)	—
THW5B	—	CNW5 3-4	Teplotní čidlo (teplota vody v zásobníku TV (vol. přísl.) *1	PAC-TH011TK2-E(5 m)/ PAC-TH011TKL2-E(30 m)
THW6	TBI.5 7-8	—	Teplotní čidlo (topná zóna 1, vstupní voda) (vol. přísl.) *1	PAC-TH011-E
THW7	TBI.5 5-6	—	Teplotní čidlo (topná zóna 1, vratná voda) (vol. přísl.) *1	
THW8	TBI.5 3-4	—	Teplotní čidlo (topná zóna 2, vstupní voda) (vol. přísl.) *1	PAC-TH011-E
THW9	TBI.5 1-2	—	Teplotní čidlo (topná zóna 2, vratná voda) (vol. přísl.) *1	
THW10	TBI.6 5-6	—	Teplotní čidlo (Teplota vody ve směšovací zásobníku) (vol. přísl.) *1	
THWB1	TBI.6 7-8	—	Teplotní čidlo (výstupní voda kotel) (vol. přísl.) *1	PAC-TH012HT-E(5 m)/ PAC-TH012HTL-E(30 m)

Vodiče teplotních čidel položte s potřebným odstupem od napájení a vodičů od výstupů OUT1 až OUT6.

*1. Maximální délka vodičů teplotních čidel je 30 m. Když se vodiče připojí na sousední svorky, použijte kabelová oka a vodiče zaizolujte.

Délka vodičů (volitelných) teplotních čidel je 5 m. Když musíte vodiče spojit kvůli prodloužení, musíte dbát na následující body.

- 1) Vodiče spojte pájením.
- 2) Každý spoj zaizolujte kvůli ochraně proti prachu a vodě.

5 Nastavení a seřízení systému

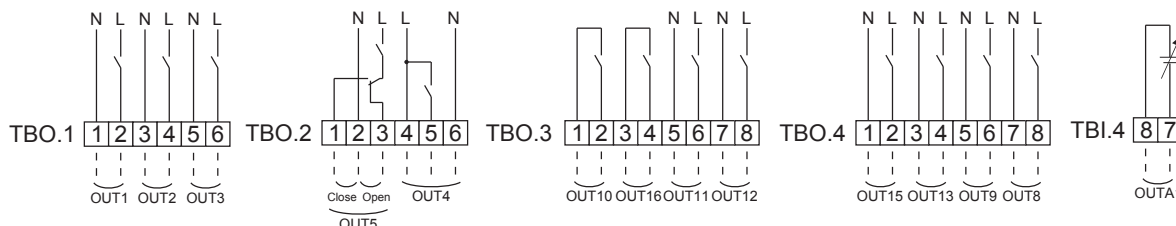
■ Signální výstupy

Označení	Svorkovnice	Konektor	Pozice	VYP	ZAP	Signál/Max. proud	Max. součtový proud
OUT1	TBO.1 1-2	CNP1	Výstup Oběh. čerpadlo 1 (Topení & TV)	VYP	ZAP	Max. 230 V stř., 1,0 A (Zapínací proud max. 40 A)	4,0 A (a)
OUT2	TBO.1 3-4	—	Výstup Oběh. čerpadlo 2 (Topení pro topnou zónu 1)	VYP	ZAP	Max. 230 V stř., 1,0 A (Zapínací proud max. 40 A)	
OUT3	TBO.1 5-6	—	Výstup Oběh. čerpadlo 3 (Topení pro topnou zónu 2) *1 Výstup 2-cestný ventil 2b *2	VYP	ZAP	Max. 230 V stř., 1,0 A (Zapínací proud max. 40 A)	
OUT14	—	CNP4	Výstup nabíjecí čerpadlo 4 (TV)	VYP	ZAP	Max. 230 V stř., 1,0 A (Zapínací proud max. 40 A)	
OUT4	TBO.2 4-6	CNV1	Výstup 3-cestný ventil (2-cestný ventil 1)	Topení	TV	Max. 230 V stř., 0,1 A	3,0 A (b)
	—	CN851	Výstup 3-cestný ventil				
OUT5	TBO.2 1-2 TBO.2 2-3	—	Výstup Směšovací ventil *1	Stop	Zavřít Otevřít	Max. 230 V stř., 0,1 A	
OUT6	—	CNBH 1-3	Výstup Pom. ohříváč 1	VYP	ZAP	Max. 230 V stř., 0,5 A (relé)	
OUT7	—	CNBH 5-7	Výstup Pom. ohříváč 2	VYP	ZAP	Max. 230 V stř., 0,5 A (relé)	
OUT8	TBO.4 7-8	—	Výstup Signál Chlazení	VYP	ZAP	Max. 230 V stř., 0,5A	
OUT9	TBO.4 5-6	CNIH	Výstup Přímotopná patrona (TV)	VYP	ZAP	Max. 230 V stř., 0,5 A (relé)	
OUT11	TBO.3 5-6	—	Výstup Signál hlášení chyb	Normál	Chyba	Max. 230 V stř., 0,5A	
OUT12	TBO.3 7-8	—	Signál Signál odmrazování	Normál	Odmrazování	Max. 230 V stř., 0,5A	
OUT13	TBO.4 3-4	—	Výstup 2-cestný ventil 2a *2	VYP	ZAP	Max. 230 V stř., 0,1 A	
OUT15	TBO.4 1-2	—	Výstup Signál kompresor CHOD	VYP	ZAP	Max. 230 V stř., 0,5A	
OUT10	TBO.3 1-2	—	Výstup Kotel	VYP	ZAP	Bezpotenciálový kontakt ·220-240 V stř. (30 V ss) ·0,5 A nebo méně ·10 mA 5 V ss nebo více	—
OUT16	TBO.3 3-4	—	Signál topení / chlazení thermo ON	VYP	ZAP		
OUTA1	TBI.4 7-8	—	Analogový výstup	0 V-10 V		Max. 0-10V ss, 5mA	—

Nepřipojujte na svorky, označené ve sloupci „Svorkovnice“ značkou „—“.

*1 Pro regulaci teploty ve 2 topných zónách.

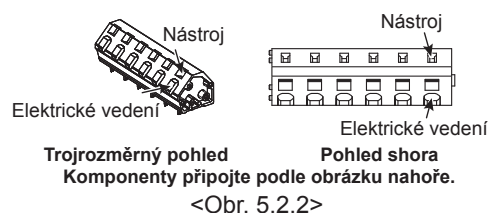
*2 Pro 2-cestný ventil, nespojitá regulace (ZAP/VYP).



Specifikace vodičů a díly, které je třeba zajistit externí dodávkou

Poz.	Označení	Model a specifikace
Výstup signálů	Kabel	Použijte vodiče nebo kabel s opláštěním a s vinylovou izolací. Max. 30 m Typ vodiče: CV, CVS nebo rovnocenný Průměr vodiče: Lanko 0,25 mm ² až 1,5 mm ² Plný vodič: 0,25 mm ² až 1,5 mm ²

Nástroj TBO.1 - 4



Upozornění:

1. Je-li hydromodul napájen přes venkovní jednotku, maximální proud je (a)+(b) = 3,0 A.
2. Nepřipojujte více oběhových čerpadel přímo na každý výstup (OUT1, OUT2 a OUT3). Použijte jedno nebo více relé.
3. Nepřipojujte žádná čerpadla současně na TBO.1 1-2 a na CNP1.
4. V závislosti na zatížení připojte vhodný svodič přepětí k OUT10 (TBO.3 1-2).
5. Lanko vodiče by se mělo opatřit izolovanou svorkovou lištou (provedení kompatibilní s DIN 46228-4).
6. Pro kabeláž OUTA1 používejte totéž jako u vstupního vodiče signálu.

5.3 Zapojení pro regulaci teploty ve 2 topných zónách

Potrubí a místně dodané součásti připojte podle příslušného schématu zobrazeného v části „Místní systém“ v kapitole 3 této příručky.

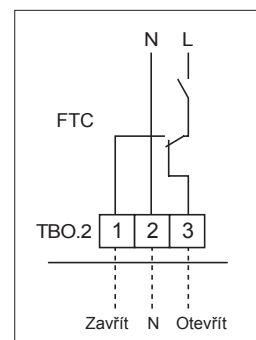
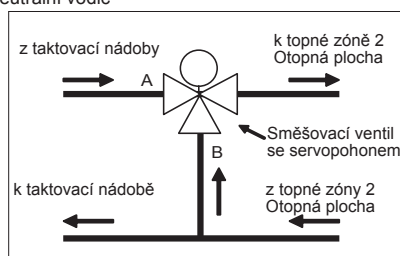
<Směšovací ventil>

Vedení signálu pro otvírání vstupu A (vpouštění teplé vody) připojte k TBO. 2-3 (Otevřít), vedení signálu pro otevření vstupu B (vpouštění studené vody) připojte k TBO. 2-1 (Zavřít) a neutrální vodič připojte na TBO. 2-2 (N).

<Teplotní čidlo>

- Teplotní čidla neinstalujte na směšovací zásobník.
- Teplotní čidlo průtoku Zóny 2 (THW8) nainstalujte blízko u směšovacího ventilu.
- Maximální délka vedení teplotního čidla je 30 m.
- Délka vodičů u čidel volitelného příslušenství je 5 m. Pokud musíte vodiče spojit kvůli prodloužení, musíte dodržet následující body.

- 1) Vodiče spojujte pájením.
- 2) Každý spoj zaizolujte kvůli ochraně proti prachu a vodě.



5 Nastavení a seřízení systému

5.4 Provoz samotné vnitřní jednotky (během instalace)

Je-li před připojením venkovní jednotky, tj. během instalace, potřebný provoz topení, lze použít pom. ohřívač ve vnitřní jednotce (*1).

*1 Pouze typ vnitřní jednotky s elektrickým ohřevem.

1. Pro zahájení provozu

- Zkontrolujte, jestli vypnuto napájení vnitřní jednotky, a pak nastavte přepínače DIP 4-4 a 4-5 na ON.
- Napájení vnitřní jednotky zapněte.

2. Pro ukončení provozu *2

- Zapněte napájení vnitřní jednotky.
- Přepínače DIP 4-4 a 4-5 nastavte na OFF.

*2 Když je samostatný provoz vnitřní jednotky ukončen, zkontrolujte po připojení venkovní jednotky všechna nastavení.

Upozornění:

Delší provoz v tomto režimu může zkrátit životnost elektrických ohřevů.

5.5 Použití paměťové karty SD

Hydromodul je vybaven slotem pro paměťové karty SD na desce FTC.

Díky použití paměťové karty SD lze zjednodušit nastavení hlavního ovládání a ukládat provozní protokoly. *1

*1 Pro úpravu nastavení hlavního ovládání nebo pro kontrolu provozních dat je potřebný servisní software Ecodan (k použití s PC).

<Preventivní opatření pro manipulaci>

- (1) Použijte jen kartu SD, která splňuje standardy SD. Zkontrolujte, jestli karta na sobě má některé logo z těch, která jsou zobrazena vpravo.
- (2) K paměťovým kartám SD podle standardů SD patří karty s označením SD, SDHC, miniSD, micro SD a microSDHC. Běžně lze koupit karty s kapacitou do 32 GB. Vyberte kartu s max. přípustnou teplotou 55 °C.
- (3) Jedná-li se o kartu typu miniSD, miniSDHC, microSD nebo micro SDHC, použijte adaptér na rozměr standardní karty SD.
- (4) Než na kartu začnete zapisovat data, odblokujte ochranu proti přepsání.



- (5) Před zasunutím nebo vysunutím karty SD systém VYPNĚTE. Pokud byste kartu SD zasouvali nebo vysouvali ze systému, který je pod napětím, mohlo by dojít ke ztrátě uložených dat, případně i k poškození karty.

* Elektron. deska je po vypnutí systému ještě nějakou dobu pod napětím. Před zasunutím nebo vysunutím karty SD vyčkejte, dokud všechny LED diody na desce nezhasnou.

- (6) Čtení a zápis byly testovány pomocí následujících paměťových karet SD; při jiné specifikaci nepřebíráme žádnou záruku za funkčnost.

Výrobce	Model	Testováno na
Verbatim	#44015	Březen 2012
SanDisk	SDSDB-002G-B35	Říjen 2011
Panasonic	RP-SDP04GE1K	Říjen 2011
Arvato	2GB PS8032 TSB 24nm MLC	Červen 2012
Arvato	2GB PS8035 TSB A19nm MLC	Červenec 2014
SanDisk	SDSDUN-008G-G46	Říjen 2016
Verbatim	#43961	Říjen 2016
Verbatim	#44018	Říjen 2016
VANTASTEK	VSDHC08	Září 2017

Před použitím nové karty SD (včetně karty SD dodané spolu s jednotkou) vždy nejdříve vyzkoušejte, jestli řídicí systém FTC kartu spolehlivě čte a zapisuje na ni.

<Kontrola čtení a zápisu>

- a) Zkontrolujte správné připojení elektrického napájení k systému. Bližší informace viz kap. 4.4.
(v tomto okamžiku systém nezapínejte)
- b) Zasuňte paměťovou kartu SD.
- c) Zapněte napájení systému.
- d) Diody LED4 svítí, když čtení / zápis byly úspěšně dokončeny. Pokud dioda LED4 dále bliká nebo nesvítí vůbec, systém nemůže kartu SD přečíst nebo na ni nemůže zapisovat.

- (7) Postupujte podle pokynů a předpisů výrobce paměťové karty.

- (8) Pokud byla karta SD v kroku (6) detekována jako nečitelná, zformátujte ji. Tím se může stát čitelnou.

Program pro formátování karet SD si stáhněte z následující webové stránky.

Domovská stránka asociace SD: <https://www.sdcard.org/home/>

- (9) FTC podporuje souborový systém FAT, nepodporuje systém NTFS.

- (10) Společnost Mitsubishi Electric nelze částečně ani zcela odpovědnou za škody, včetně nemožnosti zapisování na paměťovou kartu SD, a za zničení nebo ztrátu uložených dat či podobné škody. Podle potřeby uložená data zálohujte.

- (11) Při zasouvání a vysouvání karty SD se nedotýkejte jiných elektronických součástek na desce, může to desku poškodit i zničit.

Loga



Kapacita

2 GB až 32 GB *2

Rychlostní třídy (Speed Classes) SD

Všechny

- Logo SD je ochrannou známkou firmy SD-3C, LLC.
Logo miniSD je ochrannou známkou firmy SD-3C, LLC.
Logo micro SD je ochrannou známkou firmy SD-3C, LLC.

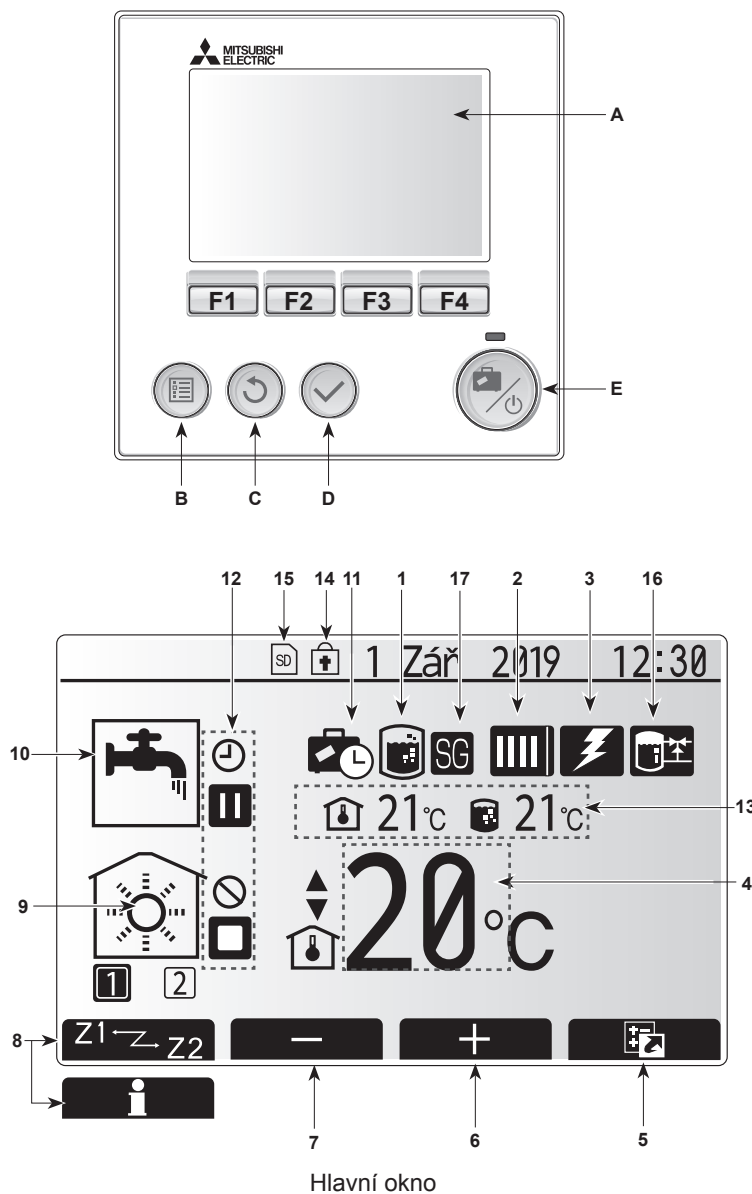
*2 Paměťová karta SD s kapacitou 2 GB postačí pro záznam provozních protokolů až po 30 dnů.

5 Nastavení a seřízení systému

5.6 Hlavní ovládání

Pro změnu nastavení vašeho systému topení/chlazení použijte hlavní dálkové ovládání umístěné na čelním panelu válcové jednotky nebo ydromodul. Níže je uveden průvodce pro zobrazení hlavních nastavení. Pokud budete potřebovat další informace, obraťte se na svého instalačního technika nebo místního prodejce Mitsubishi Electric.

Režim chlazení je k dispozici pouze pro řadu ERS. Režim chlazení však není k dispozici, pokud je vnitřní jednotka připojena k jednotce PUHZ-FRP.



<Komponenty hlavního ovládání>

Pozice	Označení	Funkce
A	Displej	Okno, v němž se zobrazují všechny informace.
B	Menu	Přístup k nastavením systému pro první uvedení do provozu a přizpůsobení
C	Zpět	Návrat do předchozího menu.
D	Potvrdit	Pro volbu nebo uložení. (klávesa Enter)
E	ZAP / Prázdniny	Když je systém vypnutý, znovu se zapne jedním stisknutím. Další stisknutí při již zapnutém systému aktivuje režim Prázdniny. Když podržíte tlačítko stisknuté 3 sekundy, systém se vypne. (*1)
F1-4	Funkční tlačítka	Pro rolování v menu a přizpůsobení nastavení. Funkce je závislá na menu, které se zobrazuje na displeji A.

*1

Když je systém odpojený nebo se elektrické napájení přeruší, bezpečnostní funkce vnitřní jednotky (např. funkce nezamrzého provozu) NEFUNGUJÍ. Pamatujte, že vnitřní jednotka se může poškodit, jestliže tyto bezpečnostní funkce nejsou aktivované.

<Symboly v hlavním menu>

	Symbol	Popis
1	Program Legionella	Když se zobrazí tento symbol, je aktivován program proti bakteriím Legionella.
2	Tepelné čerpadlo	Normální provoz
		Režim odmrazování
		Nouzový režim
		Je aktivován „tichý režim“.
3	Elektrický ohřev	Když je zobrazen tento symbol, je v provozu elektrický ohřev (pom. ohřívač nebo přímotopná patrna).
4	Požadovaná teplota	Konst. teplota otopné vody
		Prostorová teplota
		Ekvitermní křivka
5	VOLBA	Když stisknete tlačítko pod tímto symbolem, zobrazí se menu rychlého náhledu.
6	+	Zvýšení požadované teploty
7	-	Snížení požadované teploty
8	Z1 Z2	Když stisknete tlačítko pod tímto symbolem, přepne se mezi topnými zónami 1 a 2.
	Informace	Když stisknete tlačítko pod tímto symbolem, zobrazí se obrazovka s informacemi.
9	Režim Topení / Chlazení	Režim Topení Topná zóna 1 nebo topná zóna 2
		Režim Chlazení Topná zóna 1 nebo topná zóna 2
10	Režim Ohřev TV	Normální nebo EKO
11	Režim Prázdniny	Je-li zobrazen tento symbol, je aktivovaný režim „Prázdniny“.
12	Časový program	
	Zakázané	
	Řízení ze serveru	
	Pohotovostní režim (Stand-by)	
	Stand-by (*2)	
	Stop	
	Provoz	
13	Aktuální teplota	Aktuální prostorová teplota
		Aktuální teplota vody v zásobníku TV
14	Tlačítko Menu je zablokované, nebo je deaktivované přepínání mezi režimy TV a Topení v okně VOLBA (*3)	
15	Je vložena paměťová karta SD (NE pro uživatele).	
16	Ovládání vyrovnávacího zásobníku	Je-li zobrazen tento symbol, „ovládání vyrovnávacího zásobníku“ je aktivní.
17	Připraveno pro Smart Grid	Je-li zobrazen tento symbol, funkce „Připraveno pro Smart Grid“ je aktivní.

*2 Tato jednotka je v pohotovostním režimu, zatímco ostatní vnitřní jednotky jsou podle stupně přednosti v provozu.

*3 K zamknutí nebo odemknutí menu stiskněte na 3 sekundy současně tlačítka ZPĚT a POTVRDIT.

5 Nastavení a seřízení systému

■ [Průvodce počátečním nast.]

Při prvním zapnutí hlavního ovládání se zobrazí samo přepne postupně na menu pro Obecná nastavení, na okno pro nastavení jazyka a na okno pro nastavení data a času. Pomocí funkčních tlačítek zadejte požadovanou hodnotu a stisknete POTVRDIT.

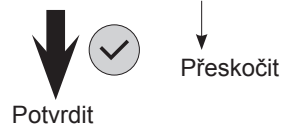
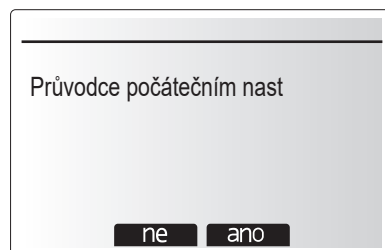
Upozornění:

<[OMEZENÍ VÝKONU EL. OHŘÍVAČE]>

Toto nastavení omezuje výkon pomocného ohřívače. Po spuštění NENÍ možné toto nastavení změnit.

Nemáte-li žádné speciální požadavky (například stavební předpisy) ve vaší zemi, přeskočte toto nastavení (zvolte „No“).

- [Ohřev TEPLÉ VODY (TV/Legionella)]
- [Topení] / [Chlazení]
- [Provozní režim (ZAP/Zakázáno/Časový program)]
- [Otáčky oběhového čerpadla]
- [Nastavení průtoku vody TČ]
- [Řízení směšovacího ventilu]
- [OMEZENÍ VÝKONU EL. OHŘÍVAČE]



■ Hlavní menu

Menu pro provádění hlavních nastavení lze vyvolat stisknutím tlačítka MENU. Aby se zabránilo tomu, že neškolený uživatel nastavení nedopatřením změní, existují dvě úrovně přístupu k hlavním nastavením. Menu Servis je chráněno heslem.

Uživatelská úroveň – Krátké stisknutí

Když se tlačítko MENU stiskne jednou a krátce, zobrazí se Hlavní menu, ale s nastaveními nelze pracovat a měnit je. To uživateli umožňuje nahlížet na základní nastavení, ale nikoliv měnit jednotlivé parametry.

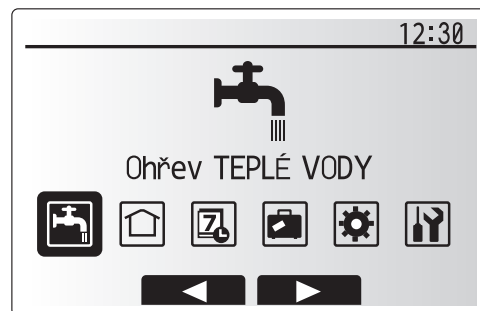
Úroveň pro instalačního technika - dlouhé stisknutí

Když se tlačítko MENU drží stisknuté 3 sekundy, zobrazí se Hlavní menu s nastaveními se všemi dostupnými funkcemi.

Barva tlačítek ◀▶ je převrácená podle obrázku vpravo. <Obr. 5.6.1>.

Následující nastavení lze (v závislosti na úrovni přístupu) buď jen číst, nebo také upravovat.

- [Teplá voda (TV)]
- [Topení] / [Chlazení]
- [Časový program]
- [Režim Prázdniny]
- [Obecná nastavení]
- [Servis (chráněno heslem)]



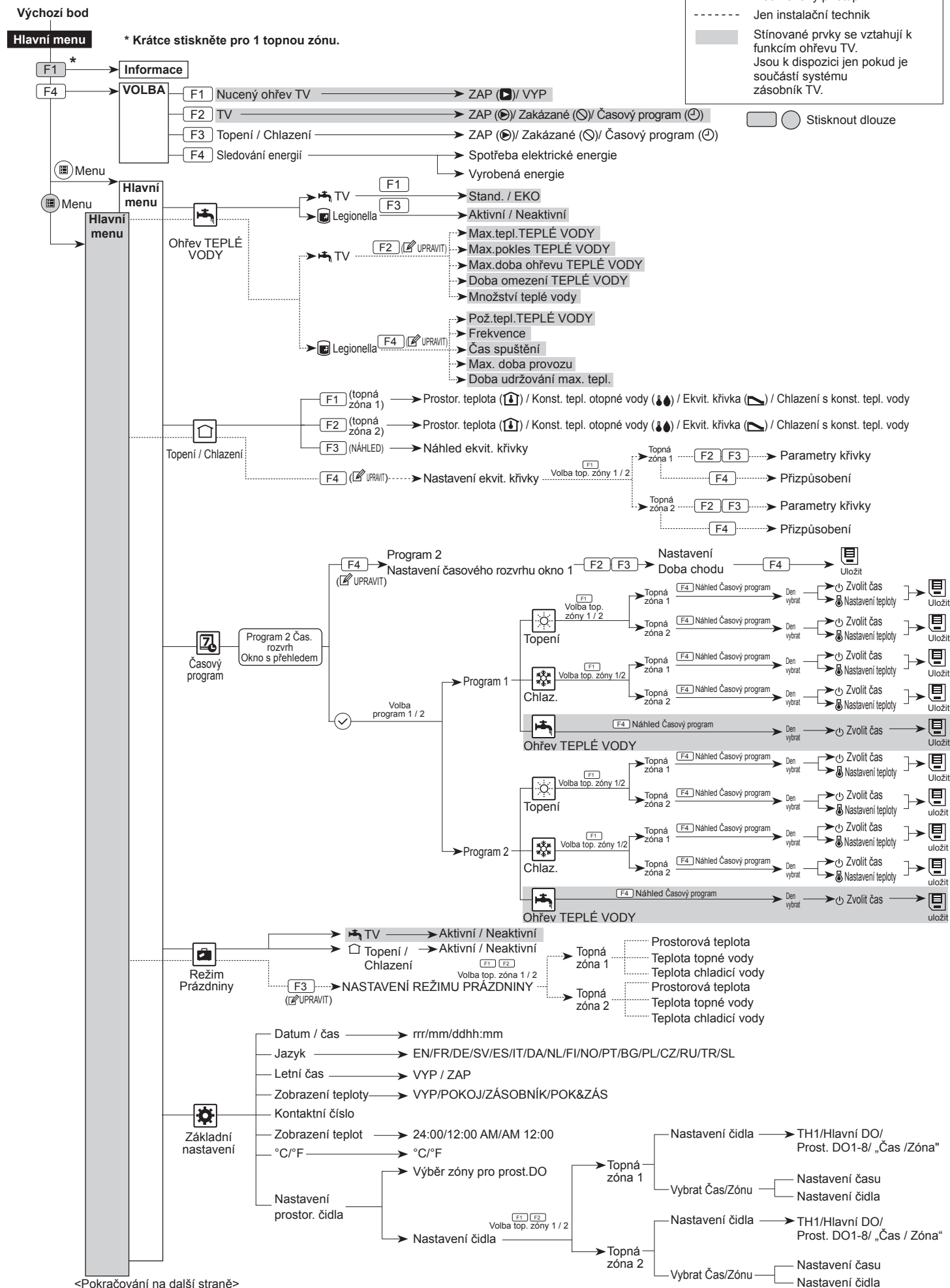
Hlavní menu



<Obr. 5.6.1>

5 Nastavení a seřízení systému

<Struktura menu Hlavní ovládání>



<Pokračování na další straně>

5 Nastavení a seřízení systému

<Pokračování z předchozí strany>

<Struktura menu Hlavní ovládání>

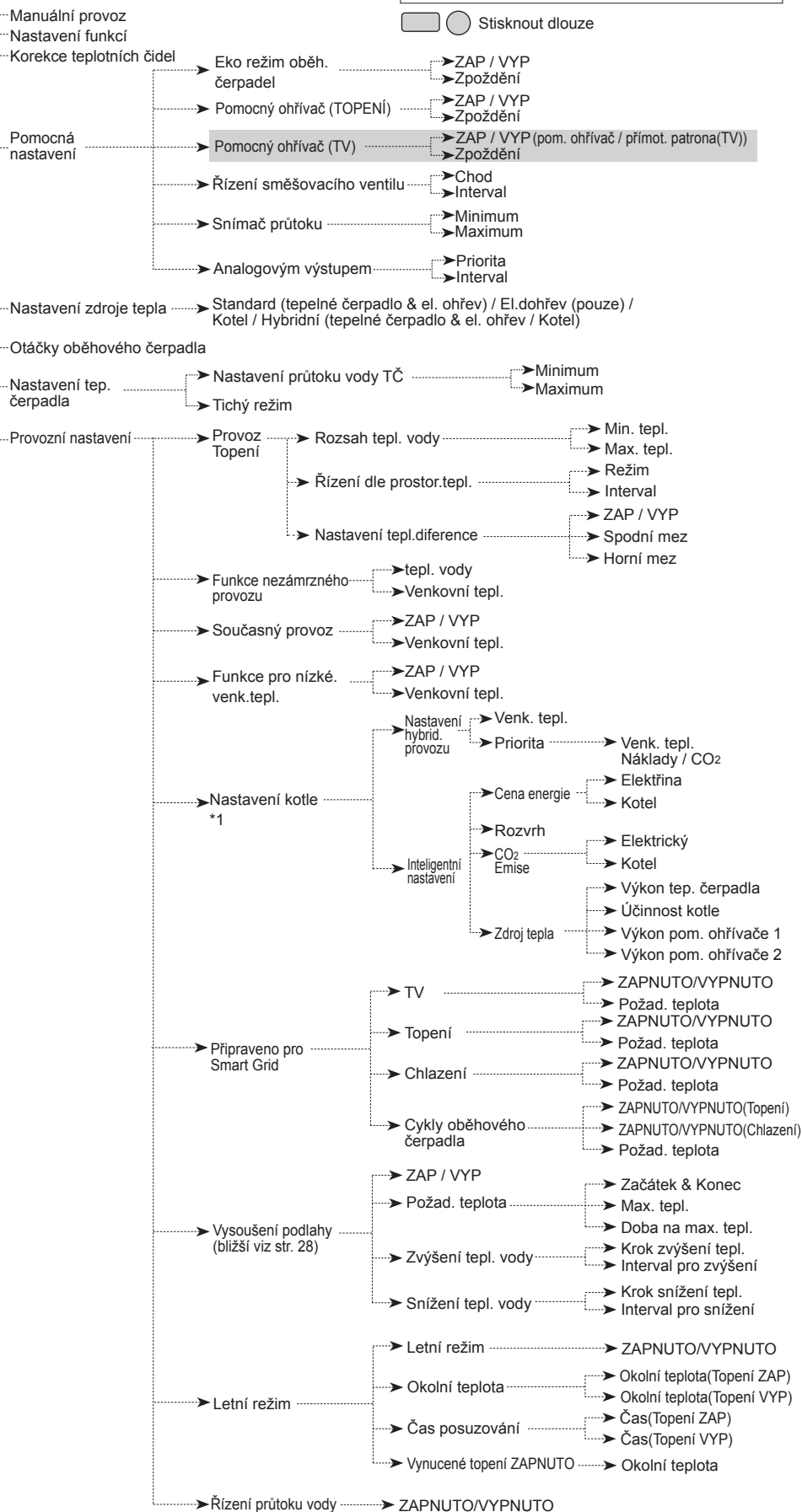
Výchozí bod

Hlavní menu

Menu

Hlavní menu

Servis
Chráněno
heslem



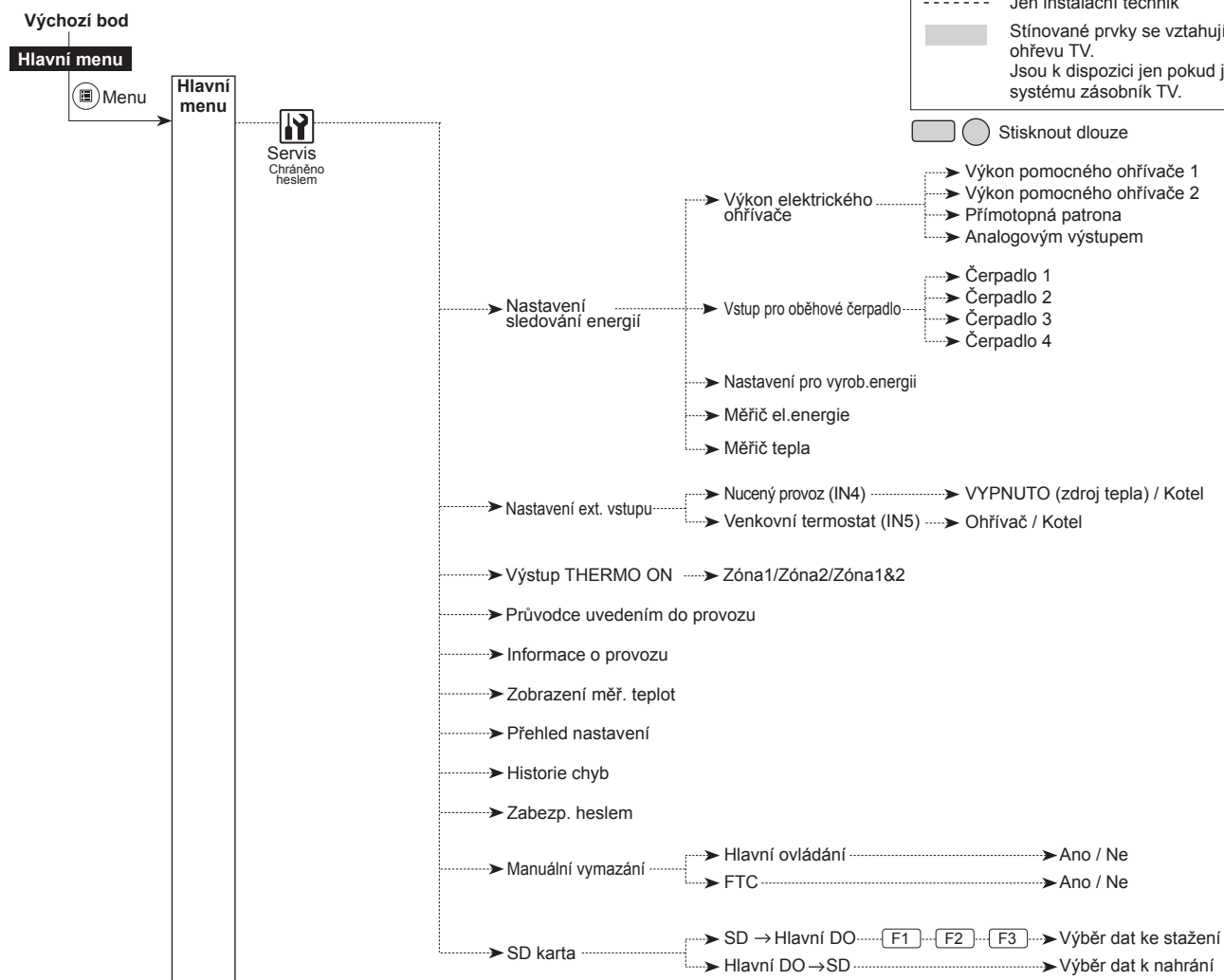
<Pokračování na další straně>

*1 Bližší informace viz Příručka pro instalaci k PAC-TH012HT(L)-E.

5 Nastavení a seřízení systému

<Pokračování z předchozí strany>

<Struktura menu Hlavní ovládání>



— Neomezený přístup
 - - - - - Jen instalační technik
 ■ Stínované prvky se vztahují k funkcím ohřevu TV.
 Jsou k dispozici jen pokud je součástí systému zásobník TV.

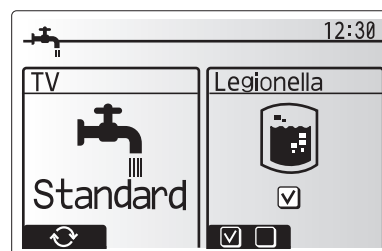
○ Stisknout dlouze

Teplá voda / Program Legionella

Menu Teplá voda a Legionella řídí činnost při ohřevu teplé vody v zásobníku TV.

<Nastavení režimu TV>

1. Zvýrazněte symbol TV a stiskněte POTVRDIT.
2. Tlačítkem F1 přepínejte mezi režimy Normál a EKO.
3. Pro úpravu nastavení režimu držte tlačítko MENU stisknuté po dobu 3 sekund a pak zvolte „TV“.
4. Pro zobrazení menu „Nastavení ohřevu teplé vody“ stiskněte tlačítko F2.
5. V menu rolujte tlačítky F2 a F3 a každou položku vždy vyberte stisknutím POTVRDIT. Proveďte nastavení podle popisu v následující tabulce.
6. Pomocí funkčních tlačítek zadejte požadovanou hodnotu a stiskněte POTVRDIT.



Záznam v menu	Funkce	Rozsah	Jednotka	Standardní hodnota
Max. teplota TV	Požadovaná teplota vody v zásobníku TV	40 - 60	°C	50
Max. pokles teploty TV	Rozdíl mezi max. teplotou TV a teplotou, při které se režim TV znovu spouští	5 - 30 *	°C	10
Max. doba provozu v režimu TV	Maximální dovolená doba ohřevu teplé vody v zásobníku v režimu TV	30 - 120	min	60
Doba omezení režimu TV	Doba po režimu TV, během níž má vytápění místnosti přednost před režimem TV, přičemž se dočasně brání dalšímu ohřevu teplé vody v zásobníku TV (teprve když uplynula maximální doba provozu v režimu TV)	30 - 120	min	30

* Pokud je maximální teplota teplé vody nastavena nad 55°C, musí být teplota, při které se režim teplé vody obnoví, nižší než 50°C, aby se ochránilo zařízení.

<Režim EKO>

Příprava TV může pracovat buď v režimu „Normál“ nebo „EKO“. V normálním režimu se voda v zásobníku ohřívá rychle, plným výkonem tepelného čerpadla. V režimu EKO to trvá o něco déle, než se voda v zásobníku ohřeje, ale je nižší spotřeba elektrické energie. To je způsobeno tím, že provoz tepelného čerpadla je omezen signály z FTC na základě naměřené teploty teplé vody v zásobníku TV.

Upozornění: Skutečná úspora energie v režimu EKO se mění podle venkovní teploty.

<[Množství teplé vody]>

Zvolte množství teplé vody. Pokud potřebujete hodně teplé vody, vyberte možnost LARGE (ROZSÁHLÉ).

Vraťte se zpět do menu TV / Legionella.

CS

5 Nastavení a seřízení systému

Nastavení programu Legionella (proti bakteriím Legionella)

1. Tlačítkem F3 zvolte ANO / NE; tím určíte, jestli se má program Legionella aktivovat.
2. Pro úpravu funkce ochrany proti bakteriím Legionella držte tlačítko MENU 3 stisknuté po dobu 3 sekund, vyberte „TV“ a pak stiskněte tlačítko F4.
3. V menu rolujte tlačítky F1 a F2 a každou položku v menu postupně vyberte stisknutím POTVRDIT. Proveďte nastavení podle popisu v následující tabulce.
4. Pomocí funkčních tlačítek zadejte požadovanou hodnotu a stiskněte POTVRDIT.

Funkce ochrany proti bakteriím Legionella zvýší teplotu vody v zásobníku nad 60°C, aby se inhiboval růst bakterií Legionella. Důrazně doporučujeme v pravidelných intervalech toto provádět. Jak často by se měl ohřev uskutečňovat, to najdete v platných předpisech.

Pamatujte, že v programu Legionella se přisun energie z tepelného čerpadla doplňuje elektrickým ohřevem. Ohřev vody trvající delší dobu je neefektivní a zvyšuje provozní náklady. Technik musí pečlivě zvážit vhodný kompromis mezi potřebou ochrany proti růstu bakterií Legionella a zabráněním zbytečné spotřebě energie při ohřevu vody na zvýšenou teplotu po příliš dlouhou dobu. Koncový uživatel by měl chápat smysl a důležitost této funkce.

VŽDY RESPEKTUJTE LOKÁLNĚ I VŠEOBECNĚ PLATNÉ SMĚRNICE A PŘEDPISY TÝKAJÍCÍ SE OCHRANY PROTI BAKTERIÍM LEGIONELLA.

Upozornění: Pokud by se vyskytly poruchy hydromodulu, program Legionella by patrně nepracoval normálně.

Záznam v menu	Funkce	Rozsah	Jednotka	Standardní hodnota
Teplota teplé vody	Požadovaná teplota vody v zásobníku	60–70	°C	65
Frekvence	Doba mezi aktivací programů Legionella	1–30	Den	15
Čas spuštění	Okamžik zahájení programu Legionella	0:00–23:00	-	03:00
Max. doba provozu	Maximální dovolená doba ohřevu vody v zásobníku TV v programu Legionella	1–5	Hodina	3
Doba udržování max. tepl.	Časové období po dosažení požadované teploty vody v režimu LP	1–120	Minuta	30

[Obecná nastavení]

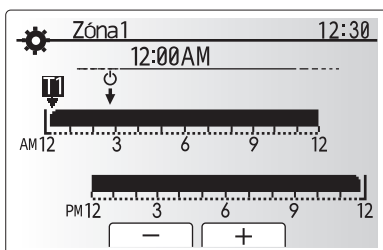
V menu Obecná nastavení může instalační technik provádět následující nastavení:

- [Datum / Čas]
- [Jazyk]
- [Letní čas]
- [Zobrazení teploty]
- [Kontaktní číslo]
- [Formát času]
- [°C/°F]
- [Nastavení prostorového čidla]

Při seřizování postupujte tak, jak je popsáno v kap. Nastavení hlavního ovládání.

<Nastavení prostorového čidla>

Při nastavování prostorových čidel je důležité vybrat správné prostorové čidlo v závislosti na topném režimu, ve kterém má systém pracovat.



Okno pro Volba Času / Zóny

Záznam v menu	Popis																					
Výběr zóny pro prost. DO	Když je aktivní regulace teploty pro 2 topné zóny, a jsou přítomna prostorová dálková ovládání, zvolte v okně Topná zóna číslo zóny, která má být jednotlivým prostorovým ovládním přiřazena.																					
Nastavení čidla	V okně pro nastavení prostorového čidla vyberte prostorové čidlo, které se má použít ke sledování prostorové teploty - samostatně pro topnou zónu 1 a pro topnou zónu 2. <table border="1" data-bbox="954 1108 1476 1406"> <thead> <tr> <th rowspan="2">Způsob regulace (Příručka na webových stránkách)</th> <th colspan="2">Odpovídající základní nastavení prostorového čidla</th> </tr> <tr> <th>Topná zóna 1</th> <th>Topná zóna 2</th> </tr> </thead> <tbody> <tr> <td>A</td> <td>Prost.DO1-8 (po jednom pro topné zóny 1 a 2)</td> <td>*1</td> </tr> <tr> <td>B</td> <td>TH1</td> <td>*1</td> </tr> <tr> <td>C</td> <td>Hlavní ovládání</td> <td>*1</td> </tr> <tr> <td>D</td> <td>*1</td> <td>*1</td> </tr> </tbody> </table> <p>Když jsou podle časového řízení použita různá prostorová čidla</p> <table border="1" data-bbox="954 1332 1476 1406"> <thead> <tr> <th>Čas / Zóna *2</th> <th>*1</th> </tr> </thead> <tbody> <tr> <td></td> <td></td> </tr> </tbody> </table>	Způsob regulace (Příručka na webových stránkách)	Odpovídající základní nastavení prostorového čidla		Topná zóna 1	Topná zóna 2	A	Prost.DO1-8 (po jednom pro topné zóny 1 a 2)	*1	B	TH1	*1	C	Hlavní ovládání	*1	D	*1	*1	Čas / Zóna *2	*1		
Způsob regulace (Příručka na webových stránkách)	Odpovídající základní nastavení prostorového čidla																					
	Topná zóna 1	Topná zóna 2																				
A	Prost.DO1-8 (po jednom pro topné zóny 1 a 2)	*1																				
B	TH1	*1																				
C	Hlavní ovládání	*1																				
D	*1	*1																				
Čas / Zóna *2	*1																					
	*1. Neuvedeno (když je použit prostorový termostat z externí dodávky) Prost.DO1-8 (po jednom pro topné zóny 1 a 2) (když je jedno dálkové ovládání použito jako prostorový termostat). *2. V okně pro nastavení čidla vyberte „Volba Času / Zóny“, aby bylo možné různá čidla používat podle časového řízení nastaveného v menu pro Volba Času / Zóny. Prostorová čidla lze spínat až čtyřikrát během 24 hodin.																					

5 Nastavení a seřízení systému

Menu [Servis]

Servisní menu obsahuje funkce pro nastavení technikem nebo servisním mechanikem. NENÍ žádoucí, aby uživatel měnil nastavení v tomto menu. Proto je potřebné heslo, aby se zabránilo přístupu nepovolaných osob k servisním nastavením.

Heslo nastavené z výroby je „0000“.

Při seřizování postupujte tak, jak je popsáno v kap. Nastavení hlavního ovládání.

Mnohé funkce nelze nastavit, dokud vnitřní jednotka běží. Před nastavováním funkcí se proto musí vnitřní jednotka vypnout. Když instalační technik zkusí tato nastavení změnit za chodu zařízení, hlášení ha hlavním ovládání mu připomene, aby ukončil provoz, než bude v práci pokračovat. Volbou odpovědi „Ano“ se pak provoz zařízení ukončí.

<[Manuální provoz]>

Zatímco se systém plní, lze oběhové čerpadlo primárního okruhu a 3-cestný ventil řídit manuálně v režimu manuálního provozu.

Když je zvolen manuální provoz, v okně se objeví malý symbol časového programu. Když je tato funkce vybrána, zůstane v manuálním provozu pouze maximálně 2 hodiny. To má zabránit tomu, aby se FTC nedopatřením nepřepsala natrvalo.

► Příklad

Stisknutím tlačítka F3 se zapne režim manuálního provozu 3-cestného ventilu. Když je zásobník teplé vody zcela naplněný, měl by se instalační technik vrátit do tohoto menu a tlačítkem F3 manuální provoz deaktivovat. Jinak se režim manuálního provozu po 2 hodinách deaktivuje sám a FTC může převzít řízení hydromodule.

Funkci Manuální provoz a Nastavení zdroje tepla nelze navolit za chodu systému. Objeví se okno, které instalačního technika vyzývá k zastavení systému, než bude možné tyto režimy navolit. Systém se zastaví automaticky po 2 hodinách od posledního zadání.

<[Funkce vysoušení podlahy]>

Funkce vysoušení podlahy mění požadovanou teplotu otopné vody v krocích, aby se postupně vysušila skladba podlahy po instalaci podlahového topení.

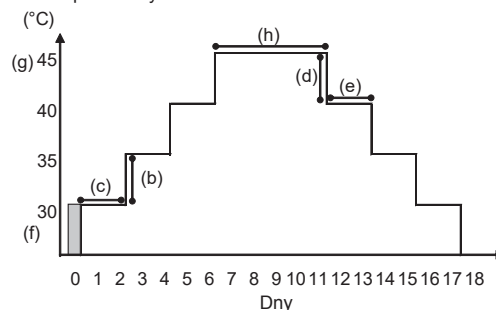
Při ukončení provozu systém zastaví všechny provozní režimy s výjimkou nezámrzné ochrany.

Při funkci vysoušení podlahy je požadovaná teplota vody v topné zóně 1 stejná jako v topné zóně 2.



Okno menu Manuální provoz

Požad. teplota vody



- Tato funkce není dostupná, když je připojena venkovní jednotka PUAZ-FRP.
- Odpojte vodiče směřující ke vstupům Prostorový termostat, Nucený provoz a Venkovní termostat, protože jinak by nebylo možné požadovanou teplotu vody dosáhnout.

Funkce	Symbol	Popis	Volba / Rozsah	Jednotka	Standardní nastavení
Funkce vysoušení podlahy	a	Nastavte funkci na ZAP a hlavním ovládáním systém zapnete; tím se režim vysoušení podlahy zahájí.	ZAP / YYP	—	YYP
Zvýšení teploty vody	Krok zvýšení tepl.	Nastaví velikost kroku postupného zvyšování požad. teploty otopné vody.	+1 - +10	°C	+5
	Interval pro zvýšení	Nastaví délku doby, po kterou zůstává požadovaná teplota stejná.	1 - 7	Den	2
Snižování teploty vody	Krok snížení tepl.	Nastaví velikost kroku postupného snižování požad. teploty otopné vody.	-1 - -10	°C	-5
	Interval pro snížení	Nastaví délku doby, po kterou zůstává požadovaná teplota stejná.	1 - 7	Den	2
Požadovaná teplota	Začátek & Konec	Nastaví požadovanou teplotu otopné vody na začátku a na konci provozu.	20 - 60	°C	30
	Max. tepl.	Nastaví maximální požadovanou teplotu otopné vody.	20 - 60	°C	45
	Doba trvání max. tepl.	Nastaví délku doby, během níž se maximální požadovaná teplota otopné vody udržuje.	1 - 20	Den	5

<[Zabezpečení heslem]>

Zabezpečení heslem je k dispozici pro zabránění přístupu nepovolaných a neproškolených osob k menu Servis.

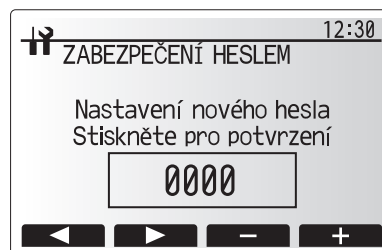
Zabezpečení heslem

Jestliže Vámi zadané heslo zapomenete, nebo musíte provést údržbu na jednotce, kterou instaloval někdo jiný, můžete heslo vrátit na tovární nastavení 0000.

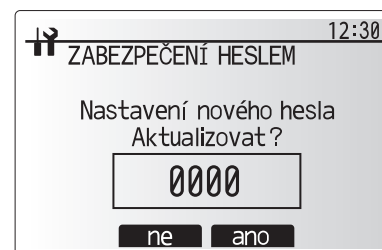
1. V Hlavním menu rolujte po funkcích, až se zvýrazní menu Servis menu.
2. Stiskněte POTVRDIT.
3. Budete vyzváni k vložení hesla.
4. Stiskněte současně tlačítka F3 a F4 a držte je 3 sekundy.
5. Objeví se dotaz, jestli chcete pokračovat a vrátit heslo na továrně nastavené.
6. Pro reset hesla stiskněte F3.
7. Heslo se přenastaví na 0000.

<[Manuální reset]>

Pokud byste někdy chtěli obnovit tovární nastavení, použijte funkci Manuální reset. Mějte prosím na paměti, že se tím VŠECHNY funkce vrátí na původní tovární nastavení.



Dialogové okno Zabezp. heslem



Dialogové okno Zabezp. heslem

6 Údržba a opravy

Na hydromodulu pro vnitřní použití musí **jedenkrát ročně** provést údržbu kvalifikovaná osoba. Údržbu a opravy venkovní jednotky by měl provádět školený technik Mitsubishi Electric, který má potřebnou kvalifikaci a zkušenosti. Práce na

elektrické části zařízení by měl provádět kvalifikovaný elektrikář. Práce na údržbě a opravách nebo vylepšení, prováděná „ve vlastní režii“ osobou bez potřebné akreditace mohou způsobit zánik záruky a poškození hydromodulu nebo úraz.

■ Kódy chyb

Kód	Chyba	Akce
L3	Ochrana proti přehřátí topného okruhu	Objem. průtok se může snížit. Provedte kontrolu zaměřenou na <ul style="list-style-type: none"> • únik vody netěsnostmi • ucpání filtrů • funkci oběhového čerpadla (kód chyby se může objevit během plnění primárního okruhu; v plnění pokračujte a hlášení chyby zrušte).
L4	Ochrana proti přehřátí zásobníku TV	Zkontrolujte přímotopnou patronu (TV) a její jistič (stykač).
L5	Výpadek teplotního čidla vnitřní jednotky (THW1, THW2, THW5B, THW6, THW7, THW8, THW9)	Zkontrolujte odpor čidla.
L6	Ochrana topného okruhu proti mrazu	Viz akci pro L3.
L8	Porucha při režimu Topení	Teplotní čidla, která se rozpojila, zkontrolujte a opět připojte.
L9	Čidlo průtoku vody nebo snímač průtoku zjistily nízký objemový průtok v primárním okruhu (snímače průtoku 1, 2, 3)	Viz akci pro L3. Když čidlo průtoku nebo snímač průtoku sám nepracuje, vyměňte ho. POZOR: Ventily čerpadla mohou být velmi horké, pracujte opatrně.
LA	Výpadek snímače tlaku	Zkontrolujte kabel od snímače tlaku, zda není poškozen nebo zda nemá uvolněné spoje.
LB	Ochrana proti vysokému tlaku	<ul style="list-style-type: none"> • Průtok v topném okruhu může být snížen. Zkontrolujte vodní okruh. • Deskový výměník tepla může být ucpáný. Zkontrolujte deskový výměník tepla. • Výpadek funkce venkovní jednotky. Viz servisní příručka k venkovní jednotce.
LC	Ochrana proti přehřátí okruhu kotle	Zkontrolujte, jestli nastavená teplota kotle pro ohřev přesahuje mezní hodnotu. (viz příručku pro teplotní čidlo „PAC-TH012HT-E“) Objemový průtok v topném okruhu kotle může být snížen. Provedte kontrolu zaměřenou na <ul style="list-style-type: none"> • únik vody netěsnostmi • ucpání filtrů • funkci oběhových čerpadel
LD	Výpadek teplotního čidla kotle (THWB1)	Zkontrolujte odpor čidel.
LE	Porucha provozu kotle	Viz akci pro L8. Zkontrolujte stav kotle.
LF	Výpadek čidla průtoku	Zkontrolujte kabel od čidla - poškození, uvolněný spoj
LH	Ochrana okruhu kotle proti mrazu	Objemový průtok v topném okruhu kotle může být snížen. Provedte kontrolu zaměřenou na <ul style="list-style-type: none"> • únik vody netěsnostmi • ucpání filtrů • funkci oběhových čerpadel
LJ	Porucha v provozu ohřevu TV (typ s deskovým výměníkem pro TV)	<ul style="list-style-type: none"> • Zkontrolujte připojení teplotního čidla spodní teploty vody v zásobníku teplé vody (THW5B). • Objemový průtok v sanitárním okruhu může být snížen. • Zkontrolujte funkci vodního oběhového čerpadla (primární / sanitární).
LL	Nesprávné nastavení přepínačů DIP na desce FTC	Zkontrolujte při provozu kotle, jestli DIP SW1-1 je na ON (s kotlem) a jestli DIP SW2-6 je na ON (s taktovací nádobou). Zkontrolujte při regulaci teploty 2 topných zón, jestli DIP SW2-7 je na ON (provoz s 2 topnými zónami) a jestli DIP SW2-6 je na ON (s taktovací nádobou).
LP	Rozsah průtoku vody mimo venkovní jednotku tepelného čerpadla	Zkontrolujte instalaci, Tabulka 4.3.1 Zkontrolujte nastavení dálkového ovládání (nabídka Servis / rozsah průtoku tepelného čerpadla) Viz akci pro L3.
P1	Výpadek teplotního čidla (prostorová teplota) (TH1)	Zkontrolujte odpor teplotního čidla.
P2	Výpadek teplotního čidla (teplota kapalého chladiva) (TH2)	Zkontrolujte odpor teplotního čidla.
P6	Ochrana proti mrazu u deskového výměníku	Viz akci pro L3. Zkontrolujte správné množství chladiva.
J0	Porucha komunikace mezi FTC a přijímačem prost.DO	Zkontrolujte přípojovací kabel - poškození, uvolněný spoj
J1 - J8	Narušená komunikace mezi přijímačem a vysílačem porstorového dálk. ovládání	Zkontrolujte baterie ve vysílači DO Zkontrolujte spolupráci mezi přijímačem a vysílačem DO Vyzkoušejte bezdrátovou komunikaci. (viz příručka k bezdrátovému systému)
E0 - E5	Porucha komunikace mezi hlavním ovládáním a FTC	Zkontrolujte přípojovací kabel - poškození, uvolněný spoj.
E6 - EF	Porucha komunikace mezi FTC a venkovní jednotkou	Zkontrolujte, jestli byla venkovní jednotka vypnutá. Zkontrolujte přípojovací kabel - poškození, uvolněný spoj. Viz servisní příručka k venkovní jednotce.
E9	Venkovní jednotka nepřijímá signál z vnitřní jednotky.	Zkontrolujte, jestli jsou obě jednotky zapnuté. Zkontrolujte přípojovací kabel - poškození, uvolněný spoj. Viz servisní příručka k venkovní jednotce.
EE	Porucha kombinace mezi FTC a venkovní jednotkou	Zkontrolujte kombinaci mezi FTC a venkovní jednotkou.
U*, F*	Výpadek funkce venkovní jednotky	Viz servisní příručka k venkovní jednotce.
A*	Chyba komunikace M-NET	Viz servisní příručka k venkovní jednotce.

Upozornění: Pro vymazání chybových kódů vypněte systém (stiskněte tlačítko F4 (RESET) na hlavním dálkovém ovládání).

6 Údržba a opravy

■ Každoroční údržba

Na hydroboxu musí nejméně jedenkrát ročně provést údržbu odborník s odpovídající kvalifikací. Jakékoli potřebné díly MUSÍ být zakoupeny od společnosti Mitsubishi Electric (z důvodu bezpečnosti).

NIKDY neobcházejte bezpečnostní zařízení a jednotku nepoužívejte, pokud tato zařízení nejsou plně funkční.

Upozornění

- Během prvních několika měsíců po instalaci odstraňte a vyčistěte filtr hydroboxu i případné další filtry externě namontované na hydrobox. To je důležité zvláště při provádění instalačních prací na starém/stávajícím systému.
- Přetlakový ventil (č. 11 na obr. 3.3 a 3.4) by měl být každoročně zkontrolován otočením knoflíku tak, aby se médium vyprázdnilo, čímž se vyčistí sedlo těsnění.

Kromě každoročních prací údržby je nezbytné po určité době provozu zkontrolovat nebo vyměnit některé díly podléhající opotřebení. Podrobné pokyny jsou uvedené v následujících tabulkách. Výměnu a revizi dílů musí vždy provádět výhradně osoba s odpovídající odbornou kvalifikací, která navíc absolvovala příslušná školení.

Díly, které je třeba pravidelně vyměňovat

Díly	Vyměnit vždy po	Možné poruchy
Přetlakový ventil (3 bar) Odvzdušnění (autom./ruční) Manometr	6 let	Únik vody

Díly, které je třeba pravidelně kontrolovat

Díly	Kontrolovat vždy po	Možné poruchy
Přetlakový ventil (3 bar) Teplotní a přetlakový ventil	1 rok (ruční otočení knoflíku)	Zablokování přetlakového ventilu a prasknutí expanzní nádoby
Přímotopná patrona	2 roky	Zemní svodový proud, při kterém se vypne jistič (ohříváč je stále vypnutý)
Vodní oběhové čerpadlo (Primární okruh)	20 000 hodin (3 roky)	Selhání vodního oběhového čerpadla

Díly, které se po provedené údržbě NESMĚJÍ znovu použít

- * O-kroužek
- * Těsnění

Upozornění:

- Vyměňte těsnění pro oběhové čerpadlo při každé pravidelné údržbě (po každých 20 000 hodinách provozu nebo po každých 3 letech).
- Přetlakový ventil (5 bar) není třeba kontrolovat, protože není v kontaktu s vodou, pokud není porušen přetlakový ventil, 3 bar.

■ Formuláře pro techniky

Pokud by se měnila výchozí nastavení, zaznamenejte nové nastavení do protokolu ve sloupci „Nastavení zařízení“. To usnadní pozdější návrat k danému nastavení, pokud by se zařízení použilo jinak nebo pokud by se musela vyměnit elektronická deska.

List protokolu Uvedení do provozu / Nastavení zařízení

Okno hlavního dálkového ovládání		Parametry	Výchozí nastavení	Nastavení zařízení	Poznámky		
Hlavní	Zóna1, prostorová teplota topení	10°C – 30°C	20°C				
	Zóna2, prostorová teplota topení *14	10°C – 30°C	20°C				
	Zóna1, teplota topné vody	20°C – 60°C	45°C				
	Zóna2, teplota topné vody *1	20°C – 60°C	35°C				
	Zóna1, teplota chladicí vody *12	5°C – 25°C	15°C				
	Zóna2, teplota chladicí vody *12	5°C – 25°C	20°C				
	Zóna1, ekvitermní křivka topení	-9°C – +9°C	0°C				
	Zóna2, ekvitermní křivka topení *1	-9°C – +9°C	0°C				
	Režim prázdniny	Aktivní / Neaktivní / Nastavený čas	—				
Volba	Nucený ohřev teplé vody	Zap./Vyp.	—				
	Teplá voda	Zapnuto / Vypnuto / Časový program	Zap.				
	Topení/Chlazení	Zapnuto / Vypnuto / Časový program	Zap.				
	Sledování energie	Spotřeba el. energie / Vyrobená energie	—				
Nastavení	Teplá voda *13	Provozní režim	Normální/Eko *16	Normální			
		Max. tepl. teplé vody	40°C – 60°C *2	50°C			
		Pokles teploty teplé vody	5°C – 30°C	10°C			
		Max. doba provozu režimu teplé vody	30 – 120 minut	60 minut			
		Omezení režimu teplé vody	30 – 120 minut	30 minut			
		Doplnění teplé vody	Rozsáhlé / Standardní	Rozsáhlé * 19			
	Prevence Legionelly *13	Aktivní	Ano/Ne	Ano			
		Teplota teplé vody	60°C – 70°C *2	65°C			
		Frekvence	1 – 30 dnů	15 dnů			
		Čas spuštění	00.00 – 23.00	03.00			
		Max. doba provozu	1 – 5 hodin	3 hodiny			
		Doba udržování max. tepl.	1 – 120 minut	30 minut			
	Topení/Chlazení *12	Zóna1, provozní režim	Prostorová teplota topení / Teplota topné vody / Ekvitermní křivka topení / Teplota chladicí vody	Prostorová teplota			
		Zóna2, provozní režim *1	Prostorová teplota topení / Teplota topné vody / Ekvitermní křivka topení / Teplota chladicí vody	Ekvitermní křivka			
	Ekvitermní křivka	Horní požadovaná hodnota teploty průtoku	Zóna1, venkovní okolní teplota	-30°C – +33°C *3	-15°C		
			Zóna1, teplota průtoku	20°C – 60°C	50°C		
			Zóna2, venkovní okolní teplota *1	-30°C – +33°C *3	-15°C		
			Zóna2, teplota průtoku *1	20°C – 60°C	40°C		
		Spodní požadovaná hodnota teploty průtoku	Zóna1, venkovní okolní teplota	-28°C – +35°C *4	35°C		
			Zóna1, teplota průtoku	20°C – 60°C	25°C		
Zóna2, venkovní okolní teplota *1			-28°C – +35°C *4	35°C			
Zóna2, teplota průtoku *1			20°C – 60°C	25°C			
Přízpůsobení		Zóna1, venkovní okolní teplota	-29°C – +34°C *5	—			
		Zóna1, teplota průtoku	20°C – 60°C	—			
Prázdniny	Teplá voda *13	Zóna1, venkovní okolní teplota	-29°C – +34°C *5	—			
		Zóna2, teplota průtoku *1	20°C – 60°C	—			
	Topení/Chlazení *12	Aktivní/Neaktivní	Aktivní/Neaktivní	Neaktivní			
		Zóna1, prostorová teplota topení	10°C – 30°C	15°C			
		Zóna2, prostorová teplota topení *14	10°C – 30°C	15°C			
		Zóna1, teplota topné vody	20°C – 60°C	35°C			
		Zóna2, teplota topné vody *1	20°C – 60°C	25°C			
		Zóna1, teplota chladicí vody *12	5°C – 25°C	25°C			
		Zóna2, teplota chladicí vody *12	5°C – 25°C	25°C			

(Pokračování na další straně.)

■ Formuláře pro techniky

List protokolu Uvedení do provozu / Nastavení zařízení

Okno hlavního dálkového ovládání			Parametry	Výchozí nastavení	Nastavení zařízení	Poznámky	
Nastavení	Základní nastavení	Jazyk	EN/FR/DE/SV/ES/IT/DA/NL/FI/NO/PT/BG/PL/CZ/RU/TR/SL	EN			
		°C/°F	°C/°F	°C			
		Letní čas	Zap./Vyp.	Vyp.			
		Zobrazení teploty	Prostor / Zásobník teplé vody / Prostor a zásobník teplé vody / Vyp.	Vyp.			
		Zobrazení času	hh:mm/hh:mm AM/AM hh:mm	hh:mm			
		Nastavení prostor. čidla pro Zónu 1	TH1 / Hlavní DO / Prost.DO1-8 / „Čas/Zóna“	TH1			
		Nastavení prostor. čidla pro Zónu 2 *1	TH1 / Hlavní DO / Prost.DO1-8 / „Čas/Zóna“	TH1			
	Nabídka Servis	Korekce teplotních čidel	THW1	-10°C - +10°C	0°C		
			THW2	-10°C - +10°C	0°C		
			THW5B	-10°C - +10°C	0°C		
			THW6	-10°C - +10°C	0°C		
			THW7	-10°C - +10°C	0°C		
			THW8	-10°C - +10°C	0°C		
			THW9	-10°C - +10°C	0°C		
			THW10	-10°C - +10°C	0°C		
THWB1			-10°C - +10°C	0°C			
Pomocná nastavení			Eko režim oběh. čerpadel	Zap./Vyp. *6	Zap.		
			Zpoždění (3 - 60 minut)	10 minut			
		Elektrický ohřivač (Topení)	Prostorové topení: Zap. (využito) / Vyp. (nevyužito)	Zap.			
			Zpoždovací časový program pro elektrický ohřivač (5 - 180 minut)	30 minut			
		Elektrický ohřivač (Teplá voda) *13	Pomocný ohřivač Teplá voda: Zap. (využito) / Vyp. (nevyužito)	Zap.			
			Přímotopná patro- na Teplá voda: Zap. (využito) / Vyp. (nevyužito)	Zap.			
			Zpoždovací časový program pro elektrický ohřivač (15 - 30 minut)	15 minut			
		Řízení směšovacího ventilu	Chod (10 - 240 sekund)	120 sekund			
Snímač průtoku *18		Interval (1 - 30 minut)	2 minuty				
	Minimum (0 - 100 L/min)	5 L/min					
	Maximum (0 - 100 L/min)	100 L/min					
	Analogový výstup	Interval (1 - 30 minut)	5 minut				
Otáčky oběhového čerpadla	Teplá voda	Otáčky oběhového čerpadla (1 - 5)	5				
	Topení/Chlazení	Otáčky oběhového čerpadla (1 - 5)	5				
Nastavení zdroje tepla		Standardní/Ohřivač/Kotel/Hybridní *7	Standardní				
Nastavení tepelného čerpadla	Rozsah průtoku tepelného čerpadla	Minimum (0 - 100 L/min)	5 L/min				
		Maximum (0 - 100 L/min)	100 L/min				
	Tichý režim	Den (Po - Ne)	—				
		Čas	0:00 - 23:45				
		Tichá úroveň (Normální/Úroveň1/Úroveň2)	Normální				
Provozní nastavení	Provoz topení *8	Rozsah teplot průtoku *10	Min. teplota (20 - 45°C) Max. teplota (35 - 60°C)	30°C 50°C			
		Řízení dle prost. teploty *15	Režim (Normální/Silné) Interval (10 - 60 minut)	Normální 10 minut			
		Nastavení tepl. difference tepelného čerpadla	Zap./Vyp. *6 Spodní mez (-9 - -1°C) Horní mez (+3 - +5°C)	Zap. -5°C 5°C			
	Funkce nezamrzného provozu *11		Venkovní okolní teplota (3 - 20°C) / **	5°C			
	Současný provoz (Teplá voda / Topení)		Zap./Vyp. *6 Venkovní okolní teplota (-30 - +10°C) *3	Vyp. -15°C			
	Funkce pro nízké. venk. tepl.		Zap./Vyp. *6 Venkovní okolní teplota (-30 - -10°C) *3	Vyp. -15°C			
	Provoz kotle	Nastavení hybrid. provozu	Venkovní okolní teplota (-30 - +10°C) *3	-15°C			
			Prioritní režim (Okolní teplota/Náklady/CO ₂) *17	Okolní teplota			
			Nárůst venkovní okolní teploty (+1 - +5°C)	+3°C			
		Inteligentní nastavení	Cena energie *9	Elektřina (0,001 - 999 */kWh) Kotel (0,001 - 999 */kWh)	0,5 */kWh 0,5 */kWh		
			Emise CO ₂	Elektřina (0,001 - 999 kg -CO ₂ /kWh) Kotel (0,001 - 999 kg -CO ₂ /kWh)	0,5 kg -CO ₂ /kWh 0,5 kg -CO ₂ /kWh		
		Zdroj tepla	Výkon tepelného čerpadla (1 - 40 kW)	11,2 kW			
Účinnost kotle (25 - 150%)	80%						
Výkon pomoc. ohřivače 1 (0 - 30 kW)	2 kW						
	Výkon pomoc. ohřivače 2 (0 - 30 kW)	4 kW					

(Pokračování na další straně.)

■ Formuláře pro techniky

List protokolu Uvedení do provozu / Nastavení zařízení (pokračování z předchozí strany)

Okno hlavního dálkového ovládání				Parametry		Výchozí nastavení	Nastavení zařízení	Poznámky	
Nabídka Servis	Provozní nastavení	Připraveno pro Smart Grid	Teplá voda	Zap./Vyp.		Vyp.			
				Požad. teplota (+1 - +20°C) / -- (neaktivní)		--			
			Topení	Zap./Vyp.		Vyp.			
				Požad. teplota	Doporučení pro zapnutí (20 - 60°C)		50°C		
			Povel pro zapnutí (20 - 60°C)		55°C				
		Chlazení	Zap./Vyp.		Vyp.				
			Požad. teplota	Doporučení pro zapnutí (5 - 25°C)		15°C			
				Povel pro zapnutí (5 - 25°C)		10°C			
		Cykly oběhového čerpadla	Topení (Zap./Vyp.)		Zap.				
			Chlazení (Zap./Vyp.)		Zap.				
			Interval (10 - 120 minut)		10 minut				
		Funkce vysoušení podlahy	Zap./Vyp. *6		Vyp.				
			Požad. teplota	Začátek&Konec (20 - 60°C)		30°C			
				Max. tepl. (20 - 60°C)		45°C			
	Trvání max. teploty (1 - 20 dnů)			5 dnů					
	Teplota průtoku (Zvýšit)		Krok zvýšení teploty (+1 - +10°C)		+5°C				
			Interval mezi zvýšením tepl. (1 - 7 dnů)		2 dny				
	Teplota průtoku (Snižit)		Krok snížení teploty (-1 - -10°C)		-5°C				
			Interval mezi snížením tepl. (1 - 7 dnů)		2 dny				
	Letní režim		Zap./Vyp.		Vyp.				
			Venkovní okolní teplota	Topení ZAP. (4 - 19°C)		10°C			
		Topení VYP. (5 - 20°C)		15°C					
		Čas posuzování	Topení ZAP. (1 - 48 hodin)		6 hodin				
			Topení VYP. (1 - 48 hodin)		6 hodin				
	Vynucené topení ZAP. (-30 - 10°C)		5°C						
	Nastavení sledování energie	Řízení průtoku vody		Zap./Vyp.		Vyp.			
Výkon elektrického ohřivače		Výkon pomocného ohřivače 1	0 - 30 kW		2 kW				
		Výkon pomocného ohřivače 2	0 - 30 kW		4 kW				
		Výkon přímotopné patроны	0 - 30 kW		0 kW				
		Analogový výstup	0 - 30 kW		0 kW				
Nastavení pro vyrobenou energii		-50 - +50%		0%					
Vstup pro oběhové čerpadlo		Oběhové čerpadlo 1	0 - 200 W nebo *** (oběhové čerpadlo namontované v továrně)		***				
		Oběhové čerpadlo 2	0 - 200 W		0 W				
		Oběhové čerpadlo 3	0 - 200 W		0 W				
		Oběhové čerpadlo 4 *19	0 - 200 W		72 W				
Měřič el. energie		0,1/1/10/100/1000 impulzů/kWh		1 impulz/kWh					
Měřič tepla		0,1/1/10/100/1000 impulzů/kWh		1 impulz/kWh					
Nastavení externího vstupu	Vynucený provoz (IN4)	Zdroj tepla VYP. / Provoz kotle		Provoz kotle					
	Venkovní termostat (IN5)	Provoz ohřivače / Provoz kotle		Provoz kotle					
Výstup Thermo ON		Zóna1/Zóna2/Zóna1&2		Zóna1&2					

*1 Nastavení týkající se Zóny 2 lze přepnout pouze, když je aktivovaná regulace teploty pro 2 zóny (DIP SW 2-6 a SW 2-7 jsou v poloze ON (ZAP.)).

*2 U typu zařízení bez pomocného ohřivače a přímotopné patроны se možná nepodaří nastavené teploty dosáhnout, v závislosti na tom, jaká je venkovní teplota.

*3 Spodní hranice je -15°C, v závislosti na tom, jaká venkovní jednotka je připojena.

*4 Spodní hranice je -13°C, v závislosti na tom, jaká venkovní jednotka je připojena.

*5 Spodní hranice je -14°C, v závislosti na tom, jaká venkovní jednotka je připojena.

*6 Zap.: funkce je aktivní; Vyp.: funkce je neaktivní.

*7 Když je DIP SW1-1 nastaven na OFF (VYP.) „BEZ směšovacího zásobníku“, nebo SW2-6 nastaven na OFF (VYP.) „BEZ směšovacího zásobníku“, nelze volit ani kotel, ani hybridní provoz.

*8 Platí jen při provozu v režimu regulace podle prostorové teploty.

9 „“ z „*/kWh“ znamená značku měny (např. €, £ nebo podobně)

*10 Platí jen při provozu v režimu Topení dle prostorové teploty.

*11 Při volbě hvězdiček (**) je funkce nezamrzání provozu deaktivovaná. (tzn. hrozí nebezpečí zamrznutí primární vody)

12 Nastavení režimu Chlazení jsou k dispozici pouze pro model ERS.

*13 K dispozici pouze v případě, že se v systému nachází zásobník teplé vody.

*14 Nastavení týkající se Zóny 2 lze přepínat teprve, když je aktivní regulace teploty ve 2 zónách, nebo ovládání zapnutí/vypnutí ventilu pro 2 zóny.

*15 Pokud je DIP SW5-2 přepnut na OFF (VYP.), je funkce aktivní.

*16 Pokud je hydromodule připojen k venkovní jednotce PUMY-P, režim je nastaven na „Normální“.

*17 Pokud je hydromodule připojen k venkovní jednotce PUMY-P, režim je nastaven na „Okolní teplota“.

*18 Nastavení neměňte, protože odpovídá specifikaci čidla pro sledování průtoku namontovaného v hydromodule.

*19 Toto nastavení platí pouze pro válcové jednotky.

1. Bezpečnostné upozornenia	2
2. Úvod	3
3. Technické informácie	4
4. Inštalácia	11
4.1 Umiestnenie	11
4.2 Kvalita vody a príprava systému	13
4.3 Vodné potrubie	14
4.4 Elektrické pripojenie	16
5. Nastavenie systému	18
5.1 Funkcie DIP spínača	18
5.2 Pripájanie vstupov/výstupov	19
5.3 Vodiče pre 2-zónovú reguláciu teploty	20
5.4 Prevádzka len s vnútornou jednotkou (počas inštalračných prác)	21
5.5 Použitie pamäťovej karty SD	21
5.6 Hlavný diaľkový ovládač	22
6. Servis a údržba	29

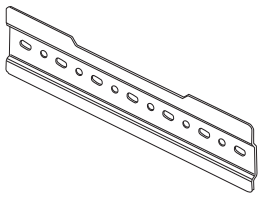
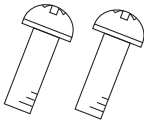
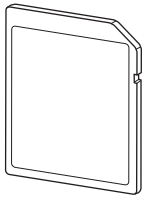
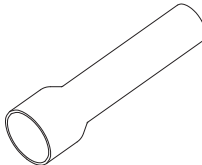


<http://www.mitsubishielectric.com/ldg/ibim/>

Ak chcete viac informácií, ktoré nie sú uvedené v tomto návode, prejdite na vyššie uvedenú webovú stránku na prevzatie návodov, vyberte názov modelu a následne jazyk.

Obsah webového návodu

- Sledovanie energie
- Termostat miestnosti
- Naplnenie systému
- Jednoduchý 2-zónový systém
- Nezávislý elektrický zdroj napájania
- Pripravené pre inteligentné siete
- Zásobník TUV pre hydrobox
- Možnosti diaľkového ovládača
- Servisné menu (špeciálne nastavenie)
- Dodatočné informácie

Príslušenstvo (súčasť dodávky)			
Zadná doska	Skrutka M5×8	Pamäťová karta SD	Rúrková spojka*
			
1	2	1	1

* Len rad E*SE

Skratky a slovník pojmov

Č.	Skratka/pojem	Popis
1	Režim kompenzačnej krivky	Vykurovanie priestoru s kompenzáciou podľa vonkajšej teploty
2	COP	Vykurovací faktor (Coefficient of Performance) – účinnosť tepelného čerpadla
3	Režim Chladienie	Chladienie priestoru pomocou konvektorov alebo podlahového chladienia
4	Režim TUV	Režim ohrevu teplej úžitkovej vody v domácnosti na sprchovanie, umývanie riadu atď.
5	Teplota vykurovacej vody	Teplota vody privádzanej do primárneho okruhu
6	Funkcia ochrany proti zamrznutiu	Rutina regulácie vykurovania, ktorá zabraňuje zamrznutiu vodného potrubia
7	FTC	Ovládač teploty vykurovacej vody (Flow temperature controller), obvodová doska, ktorá ovláda systém
8	Režim Vykurovanie	Vykurovanie priestoru pomocou radiátorov alebo podlahového vykurovania
9	Hydrobox	Vnútorná jednotka s hydraulickými inštalračnými prvkami (BEZ zásobníka TUV)
10	Legionella	Baktéria, ktorá sa môže vyskytovať v rozvodoch domovej inštalračcie, sprchách a zásobníkoch vody, a ktorá môže vyvolať tzv. legionársku chorobu
11	Režim LP	Režim prevencie legionelly (Legionella prevention) – funkcia systémov so zásobníkmi vody, ktorá slúži na zabránenie množeniu baktérií legionella
12	Model Kompakt	Doskový výmenník tepla (chladiivo – voda) vo vonkajšej jednotke tepelného čerpadla
13	PRV	Pretlakový ventil (Pressure relief valve)
14	Teplota vratnej vody	Teplota vody odvádzanej z primárneho okruhu
15	Model Split	Doskový výmenník tepla (chladiivo – voda) vo vnútornej jednotke
16	TRV	Termostatický ventil na radiátore (Thermostatic radiator valve) – ventil na vstupe alebo výstupe z radiátorového panela na reguláciu tepelného výkonu

1 Bezpečnostné upozornenia

Starostlivo si prečítajte nasledujúce bezpečnostné upozornenia.





⚠ VÝSTRAHA:
Upozornenia, ktoré sa musia dodržať na zabránenie zraneniam alebo smrti.

⚠ UPOZORNENIE:
Upozornenia, ktoré sa musia dodržať na zabránenie poškodenia jednotky.

Tento návod na montáž spolu s návodom na obsluhu uschovajte po montáži pri výrobku, aby ste doň mohli neskôr nahliadnuť.
Spoločnosť Mitsubishi Electric nie je zodpovedná za zlyhanie lokálne dodaných dielov.

- Vykonávajte údržbu v pravidelných intervaloch.
- Dodržiavajte miestne predpisy.
- Dodržiavajte pokyny uvedené v tomto návode.

VÝZNAM SYMBOLOV ZOBRAZENÝCH NA JEDNOTKE

	VÝSTRAHA (Nebezpečenstvo požiaru)	Tento symbol platí len pre chladivo R32. Druh chladiva je uvedený na typovom štítku vonkajšej jednotky. V prípade druhu chladiva R32 táto jednotka používa horľavé chladivo. Ak dôjde ku úniku chladiva a kontaktu s ohňom alebo vykurovacou časťou, vznikne škodlivý plyn a hrozí nebezpečenstvo vzniku požiaru.
		Pred prevádzkou si starostlivo prečítajte NÁVOD NA OBSLUHU.
		Obslužný personál si pred prevádzkou musí starostlivo prečítať NÁVOD NA OBSLUHU a NÁVOD NA MONTÁŽ.
		Ďalšie informácie sú k dispozícii v NÁVODE NA OBSLUHU A NÁVODE NA MONTÁŽ a pod.

⚠ ⚠ VÝSTRAHA

Mechanika

- Používateľ nesmie inštalovať, demontovať, premiestňovať, pozmeňovať ani opravovať hydrobox a vonkajšie jednotky. Poverte tým autorizovaného inštalátora alebo technika. Ak je jednotka nainštalovaná nesprávne alebo sú na nej po inštalovaní vykonané zmeny, môže dôjsť k úniku vody, zásahu elektrickým prúdom alebo požiaru.
- Vonkajšia jednotka sa musí bezpečne pripíchnuť na tvrdý, rovný povrch s dostatočnou nosnosťou.
- Hydrobox by sa mal umiestniť na tvrdý, zvislý povrch s dostatočnou nosnosťou pri jej naplnení na zabránenie nadmernému hluču alebo vibráciám.
- Neumiestňujte nábytok ani elektrické spotrebiče pod vonkajšiu jednotku alebo hydrobox.
- Vypúšťacia rúrka z núdzových/bezpečnostných zariadení hydroboxu sa musí nainštalovať v súlade s miestnymi zákonmi.
- Používajte len príslušenstvo a náhradné diely schválené spoločnosťou Mitsubishi Electric. Montážou poverte kvalifikovaného technika.

Elektrika

- Všetky elektrické práce musí vykonávať kvalifikovaný technik podľa miestnych predpisov a pokynov v tomto návode.
- Jednotky musia byť napájané vyhradeným zdrojom napájania a musí sa použiť správne napätie a poistky.
- Kabeláž sa musí realizovať v súlade s vnútroštátnymi predpismi pre kabeláž. Prípojky sa musia vytvoriť bezpečne a bez pnutia koncoviek.
- Správne uzemnite jednotku.

Všeobecne

- Udržujte deti a domáce zvieratá mimo dosahu hydroboxu a vonkajších jednotiek.
- Nepoužívajte teplú vodu vytvorenú tepelným čerpadlom priamo na pitie ani varenie. Mohlo by to mať za následok ochorenie používateľa.
- Nevystupujte na jednotky.
- Nedotýkajte sa spínačov mokrymi rukami.
- Kvalifikovaný personál musí vykonávať údržbu hydroboxu a vonkajšej jednotky v ročných intervaloch.
- Na hydrobox neumiestňujte nádoby s tekutinami. Ak uniknú alebo sa rozlejú na hydrobox, mohlo by dôjsť k poškodeniu jednotky a/alebo požiaru.
- Na hydrobox neumiestňujte žiadne ťažké predmety.
- Pri inštalácii, premiestňovaní alebo servise hydroboxu používajte na naplnenie potrubia s chladivom len chladivo určené pre tepelné čerpadlo. Nemiešajte ho so žiadnym iným chladivom a dbajte na to, aby v potrubí nezostal vzduch. Ak sa vzduch zmieša s chladivom, môže to v potrubí s chladivom spôsobiť abnormálne vysoký tlak, čo môže viesť k výbuchu a iným nebezpečenstvám.
- Použitie akéhokoľvek iného chladiva než toho, ktoré je určené pre tento systém, spôsobí mechanické zlyhanie alebo nesprávnu činnosť systému či poruchu jednotky. V najhoršom prípade by to mohlo viesť k závažnej prekážke pri zaistení bezpečnosti výrobku.
- Aby sa v režime vykurovania zabránilo poškodeniu tepelných žiaričov nadmerne horúcou vodou, nastavte cieľovú teplotu vykurovacej vody najmenej 2 °C pod maximálnou prípustnou teplotou všetkých tepelných žiaričov. Pre Zónu2 nastavte cieľovú teplotu vykurovacej vody najmenej 5 °C pod maximálnou prípustnou teplotou vykurovacej vody všetkých tepelných žiaričov v okruhu Zóny2.
- Neinštalujte jednotku na miestach, kde hrozí únik, tvorba, prúdenie alebo hromadenie horľavých plynov. Ak sa v okolí jednotky hromadí horľavý plyn, môže to mať za následok požiar alebo výbuch.
- Nepoužívajte žiadne iné prostriedky na urýchlenie rozmrazovania alebo čistenia než prostriedky odporúčané výrobcom.
- Zariadenie sa musí uskladniť v miestnosti bez stáleho zdroja vznietenia (napríklad: otvorený plameň, plynový spotrebič alebo elektrický ohrievač).
- Neprepichujte a nespľuňte.
- Dbajte na to, že chladivá môžu byť bez zápachu.
- Potrubia by mali byť chránené pred fyzickým poškodením.
- Inštalácia potrubí sa musí obmedziť na minimum.
- Dodržiavajte vnútroštátne predpisy týkajúce sa plynu.
- Udržujte potrebné vetracie otvory bez prekážok.
- Na spájkovanie vedení chladiva nepoužívajte nízko teplotnú spájkovaciu zliatinu.

1 Bezpečnostné upozornenia

⚠ UPOZORNENIE

Používajte čistú vodu, ktorá spĺňa miestne kvalitatívne štandardy pre primárny okruh.

Vonkajšia jednotka sa musí nainštalovať v oblasti s dostatočným prívodom vzduchu v súlade so schémami v návode na montáž vonkajšej jednotky.

Hydrobox by sa mal umiestniť v interiéri na minimalizáciu tepelných strát.

Vodné potrubia v primárnom okruhu medzi vonkajšou a vnútornou jednotkou by malo byť čo najmenšie, aby sa znížili tepelné straty.

Zabezpečte, aby sa kondenzát z vonkajšej jednotky odvádzal zo základne na zabránenie kalužiam vody.

Odstráňte čo najviac vzduchu z vodného okruhu.

Únik chladiva môže mať za následok udusenie. Zabezpečte vetranie v súlade s normou EN378-1.

Zabezpečte, aby ste okolo potrubí omotali izoláciu. Priamy kontakt s neizolovaným potrubím môže mať za následok popáleniny alebo omrzliny.

V žiadnom prípade neberte batérie do úst na zabránenie náhodnému požitiu.

Požitie batérie môže spôsobiť udusenie a/alebo otravu.

Ak sa chystáte hydrobox na dlhšiu dobu vypnúť (alebo vypnúť systém), mali by ste vodu vypustiť.

Prijmite preventívne opatrenia na zabránenie vodnému rázu, ako napríklad inštalácia ochranného zariadenia proti vodnému rázu v primárnom vodnom okruhu, podľa pokynov výrobcu.

Na zabránenie kondenzácie na žiaričoch, náležite prispôbte teplotu vykurovacej vody a taktiež nastavte dolný limit teploty vykurovacej vody na mieste inštalácie.

Pre manipuláciu s chladivom si prečítajte návod na montáž vonkajšej jednotky.

2 Úvod

Tento návod na montáž poskytuje kompetentným osobám informácie o bezpečnej a účinnej inštalácii systému hydrobox a jeho uvádzaní do prevádzky. Cieľoví čitatelia tohto návodu sú kompetentní inštalatéri a/alebo technici chladiacich

systémov, ktorí sa zúčastnili a absolvovali potrebné školenie pre výroby Mitsubishi Electric a majú príslušnú kvalifikáciu pre inštaláciu nevetraného hydroboxu v danej krajine.

Špecifikácie výrobku

Názov modelu	EHSD-MED	EHSD-VM2D	EHSD-VM6D	EHSD-VM9D	EHSD-YM9ED	EHSD-TM9D	ERSD-MED	ERSD-VM2D	ERSD-VM6D	ERSD-VM9D	EHSC-MED	EHSC-VM2D	EHSC-VM6D	EHSC-VM9D	EHSC-YM9ED	EHSC-TM9D	ERSC-MED	ERSC-VM2D	ERSC-VM6D	ERSC-VM9D	ERSE-MED	ERSE-YM9ED	ERSE-VM2D	ERSE-VM6D	ERSE-VM9D	
Celkové rozmery jednotky (výška x šírka x hĺbka)	800 x 530 x 360 mm																									
Hmotnosť (prázdna)	36 kg	43 kg	44 kg	44 kg	40 kg	44 kg	38 kg	44 kg	40 kg	44 kg	41 kg	47 kg	48 kg	48 kg	43 kg	48 kg	41 kg	48 kg	41 kg	48 kg	41 kg	48 kg	48 kg	41 kg	48 kg	64 kg
Hmotnosť (plná)	38 kg	48 kg	49 kg	49 kg	45 kg	49 kg	39 kg	50 kg	50 kg	49 kg	44 kg	53 kg	54 kg	54 kg	50 kg	54 kg	44 kg	54 kg	44 kg	54 kg	44 kg	54 kg	54 kg	44 kg	54 kg	74 kg
Objem vody okruhu vykurovania v jednotke *1	1,7 kg	5,2 kg	5,2 kg	5,2 kg	5,2 kg	5,2 kg	1,7 kg	5,2 kg	5,2 kg	5,2 kg	2,6 kg	6,1 kg	6,1 kg	6,1 kg	6,1 kg	6,1 kg	2,6 kg	6,1 kg	6,1 kg	6,1 kg	6,1 kg	6,1 kg	6,1 kg	6,1 kg	10,0 kg	10,0 kg
Nenaplnená expanzná nádrž (primárny ohrev)	—	10 L	—	10 L	—	10 L	—	10 L	—	10 L	—	10 L	—	10 L	—	10 L	—	10 L	—	10 L	—	10 L	—	10 L	—	—
Príaci tlak	—	1 bar	—	1 bar	—	1 bar	—	1 bar	—	1 bar	—	1 bar	—	1 bar	—	1 bar	—	1 bar	—	1 bar	—	1 bar	—	1 bar	—	—
Kontrolný termistor	1 - 80°C																									
Vodný okruh (primárny)	0,3 MPa (3 bar)																									
Bezpečnostné zaradenie	Min. prietok 5,0 L/min (Informácie o rozsahu prietokovej rýchlosti vody nájdete v tabuľke 4.3.1)																									
Prídavný ohrievač	—	90°C	—	90°C	—	90°C	—	90°C	—	90°C	—	90°C	—	90°C	—	90°C	—	90°C	—	90°C	—	90°C	—	90°C	—	—
Teplota chladenia	—	121°C	—	121°C	—	121°C	—	121°C	—	121°C	—	121°C	—	121°C	—	121°C	—	121°C	—	121°C	—	121°C	—	121°C	—	—
Voda (primárny okruh)	G1-A																									
Chladivo (R32/ R410A)	6,35 mm																									
Plyn	12,7 mm																									
Vykurovanie	20 - 60°C																									
Chladenie	5 - 25°C																									
Vykurovanie	10 - 30°C																									
Chladenie	—																									
Okolie *2	0 - 35°C (≤ 80 % rel. vlh.)																									
Vonkajšia teplota	Pozri tabuľku špecifikácií pre vonk. jednotku.																									
Vykurovanie	*3																									
Chladenie	*3																									
Zdroj napájania (fáza, napätie, frekvencia)	~N, 230 V, 50 Hz																									
Istič (pri napájaní z nezávislého zdroja)	10A																									
Zdroj napájania (fáza, napätie, frekvencia)	—	~N, 230 V, 50 Hz	3~ 400 V, 50 Hz	3~ 230 V, 50 Hz	3~ 400 V, 50 Hz	~N, 230 V, 50 Hz	—	~N, 230 V, 50 Hz	~N, 230 V, 50 Hz	~N, 230 V, 50 Hz	—	~N, 230 V, 50 Hz	~N, 230 V, 50 Hz	3~ 400 V, 50 Hz	3~ 230 V, 50 Hz	~N, 230 V, 50 Hz	—	~N, 230 V, 50 Hz	~N, 230 V, 50 Hz	~N, 230 V, 50 Hz	—	~N, 230 V, 50 Hz	~N, 230 V, 50 Hz	3~ 400 V, 50 Hz	3~ 400 V, 50 Hz	—
Výkon	—	2kW	2kW + 4kW	3kW + 6kW	3kW + 6kW	2kW	—	2kW	2kW + 4kW	3kW + 6kW	—	2kW	2kW + 4kW	3kW + 6kW	3kW + 6kW	2kW	—	2kW	2kW + 4kW	3kW + 6kW	—	2kW	2kW + 4kW	3kW + 6kW	3kW + 6kW	—
Prúd	—	9 A	26 A	13 A	23 A	9 A	—	9 A	26 A	13 A	—	9 A	26 A	13 A	23 A	9 A	—	9 A	26 A	13 A	—	9 A	26 A	13 A	23 A	—
Istič	—	16 A	32 A	16 A	32 A	16 A	—	16 A	32 A	16 A	—	16 A	32 A	16 A	32 A	16 A	—	16 A	32 A	16 A	—	16 A	32 A	16 A	32 A	—
Hladina akustického výkonu	41 dB(A)																									
	40 dB(A)												45 dB(A)													

<Tabuľka 3.1>

*1 Potrubie k expanznej nádrži nie je súčasťou tejto jednotky.

*2 Prostredie musí byť bez mrazu.

*3 Pozri tabuľku špecifikácií pre vonk. jednotku. (min. 10 °C)

Režim Chladenie nie je k dispozícii pri nízkych vonkajších teplotách.

Ak používate náš systém v režime chladenia pri nízkej vonkajšej teplote (10 °C alebo nižšia), existujú určité riziká poškodenia doskového výmenníka tepla v dôsledku zamrznutej vody.

Názov modelu	EHPX-YM9ED	EHPX-MED	EHPX-MED	EHPX-MED	EHPX-VM2D	EHPX-VM6D	EHPX-VM9D	EHPX-YM9ED
Celkové rozmery jednotky (výška x šírka x hĺbka)	800 x 530 x 360 mm							
Hmotnosť (prázdna)	63 kg	61 kg	71 kg	28 kg	35 kg	37 kg	37 kg	32 kg
Hmotnosť (plná)	73 kg	71 kg	10,0 kg	29 kg	40 kg	41 kg	41 kg	37 kg
Objem vody okruhu vykurovania v jednotke *1	10,0 kg	10,0 kg	10,0 kg	1,0 kg	4,5 kg	4,5 kg	4,5 kg	4,5 kg
Nenaplnená expanzná nádrž (primárny ohrev)	—	—	—	—	10 L	—	—	—
Plniaci tlak	—	—	—	—	1 bar	—	—	—
Kontrolný termistor	1 - 80°C							
Vodný okruh (primárny)	Pretlakový ventil (Pressure relief valve) 0,3 MPa (3 bar)							
Bezpečnostné zariadenie	Snímač prietoku Min. prietok 5,0 L/min (Informácie o rozsahu prietokovej rýchlosti vody nájdete v tabuľke 4.3.1)							
Pridávny ohrievač	Manuálny reset termostatu 90°C							
	Tepelná poistka (na zabránenie chodu nasucho) 121°C							
Pripojky	Voda (primárny okruh) G1-1/2-B							
	Chladivo (R32/R410A) Kvapalina 9,52 mm							
	Plyn 25,4 mm (spájkovanie)							
Cieľový teplotný rozsah	Vykurovanie Chladenie Chladenie Vykurovanie Chladenie Chladenie							
Garantovaný prevádzkový rozsah	Okolie *2 Vykurovanie Chladenie Vonkajšia teplota Chladenie							
	Ovládací panel (vrátane 4 čerpadiel) Zdroj napájania (fáza, napätie, frekvencia) Istič (* pri napájaní z nezávislého zdroja)							
Elektrické údaje	3~400 V, 50 Hz 3kW + 6kW Výkon Prúd Istič							
	~N, 230 V, 50 Hz 2kW 9 A 16 A							
	~N, 230 V, 50 Hz 3~400 V, 50 Hz 3kW + 6kW 13 A 16 A							
Hladina akustického výkonu	45 dB(A) 40 dB(A)							

<Tabuľka 3.2>

*1 Potrubie k expanznej nádrži nie je súčasťou tejto hodnoty.

*2 Prostredie musí byť bez mrazu.

*3 Pozri tabuľku špecifikácií pre vonk. jednotku. (min. 10 °C)

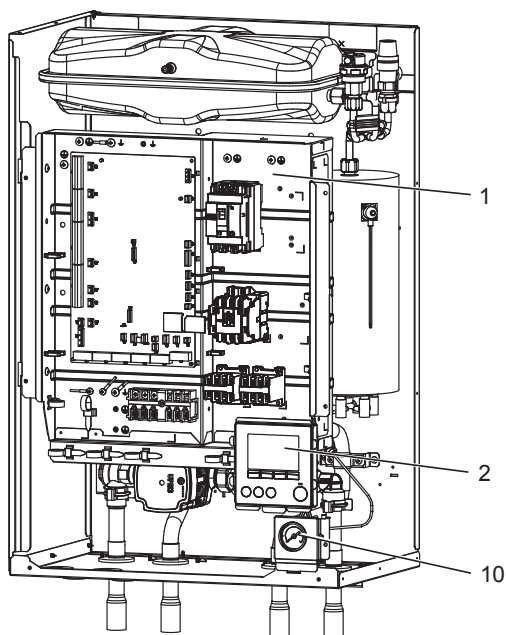
Režim Chladenie nie je k dispozícii pri nízkych vonkajších teplotách.

Ak používate náš systém v režime chladenia pri nízkej vonkajšej teplote (10 °C alebo nižšia), existujú určité riziká poškodenia doskového výmenníka tepla v dôsledku zamrzutej vody.

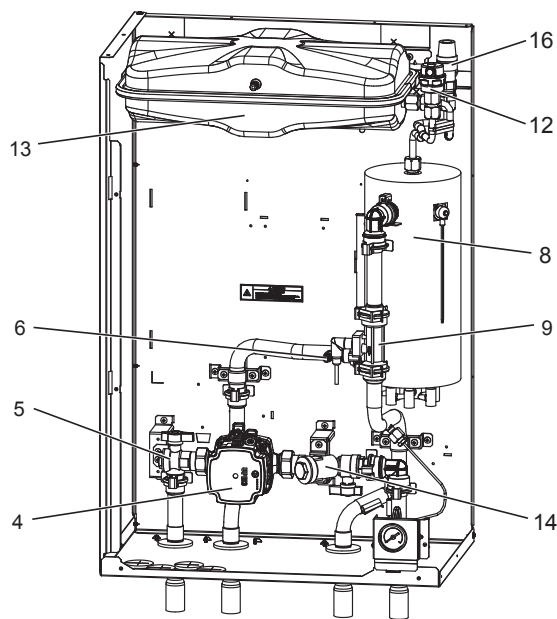
3 Technické informácie

■ Súčiastky komponentov

<EHPX-*M*D> (zapuzdrený model)

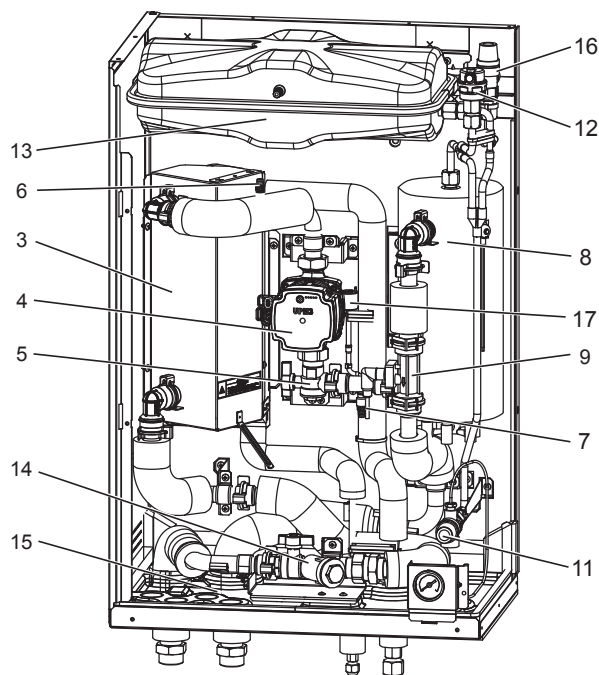


<Obrázok 3.1>



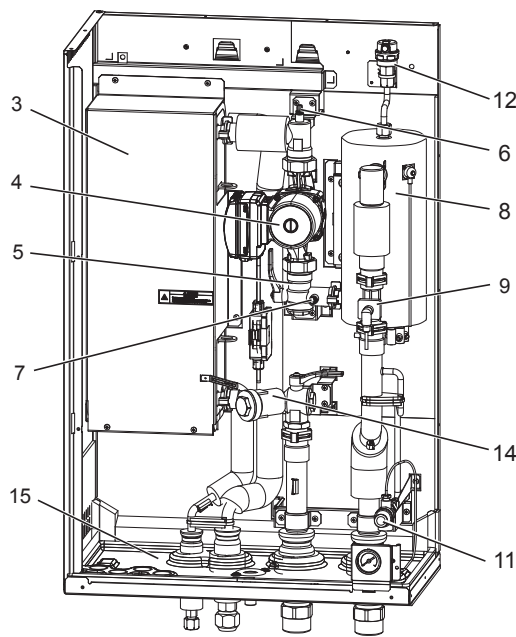
<Obrázok 3.2>

<E*S*-*M**D> (model Split)



<Obrázok 3.3>

<E*SE-*M*ED>



<Obrázok 3.4>

Č.	Názov súčiastky	EHPX-*M*(E)D	EHS*-MED	EHS*-*M*D	EHS*-YM9ED	ERS*-*M*(E)D	ERS*-MED
1	Riadiaca a elektrická skriňa	✓	✓	✓	✓	✓	✓
2	Hlavný diaľkový ovládač	✓	✓	✓	✓	✓	✓
3	Doskový výmenník tepla (chladivo - voda)	-	✓	✓	✓	✓	✓
4	Vodné obehové čerpadlo 1	✓	✓	✓	✓	✓	✓
5	Ventil čerpadla	✓	✓	✓	✓	✓	✓
6	Vetračí otvor (manuálny)	-	✓	✓	✓	✓	✓
7	Vypúšťací kohút (primárny okruh)	✓	✓	✓	✓	✓	✓
8	Prídavný ohrievač 1,2	✓	-	✓	✓	✓	-
9	Snímač prietoku	✓	✓	✓	✓	✓	✓
10	Manometer	✓	✓	✓	✓	✓	✓
11	Pretlakový ventil (3 bar)	-	✓	✓	✓	✓	✓
12	Automatický vetračí otvor	✓	✓	✓	✓	✓	✓
13	Expanzná nádrž	✓*1	-	✓	-	✓*2	-
14	Sieťový ventil	✓	-	✓	✓	✓	✓
15	Zachytávacia vaňa	-	-	-	-	✓	✓
16	Pretlakový ventil (5 bar)	✓*1	-	✓	-	✓*2	-
17	Snímač tlaku	-	✓*3	✓*3	✓*3	✓*3	✓*3

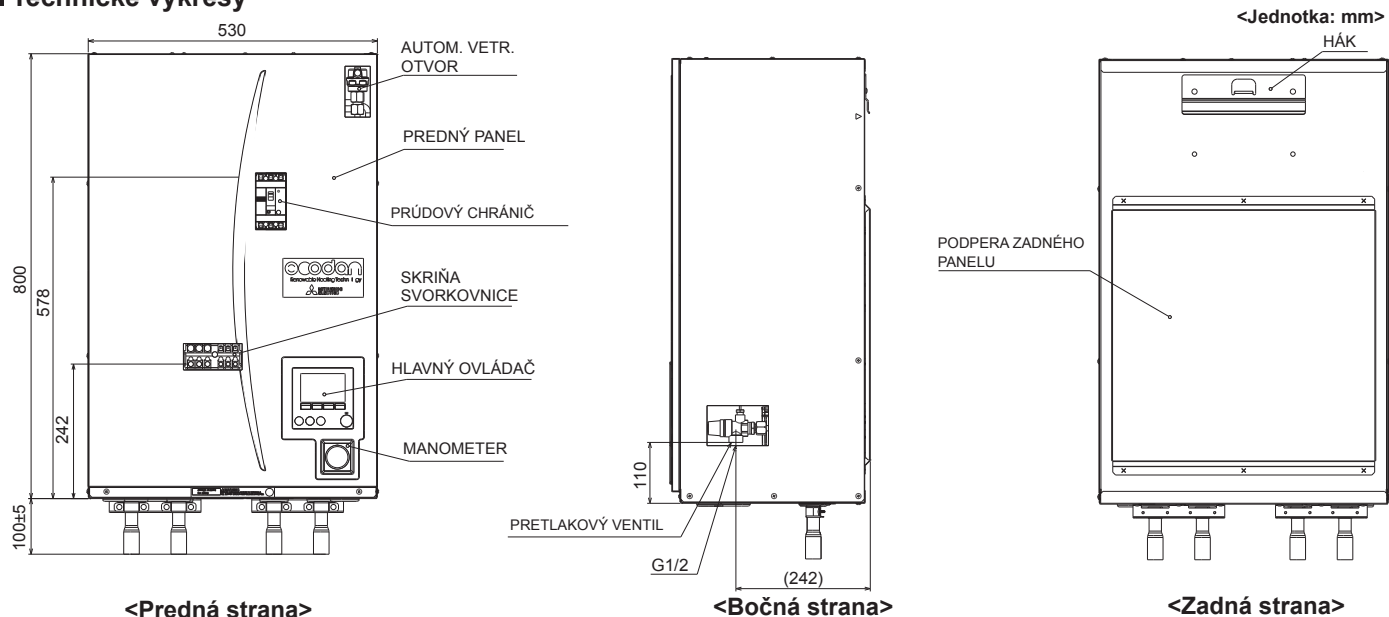
<Tabuľka 3.3>

Poznámka:
Pre inštaláciu všetkých modelov E***-M*ED zabezpečte, aby sa namontovala vhodne dimenzovaná expanzná nádrž na primárnej strane a prídavný PRV na zabránenie prasknutiu expanznej nádrže. (pozri obrázky 3.5 ~ 3.6 a 4.3.10 pre ďalšie informácie)

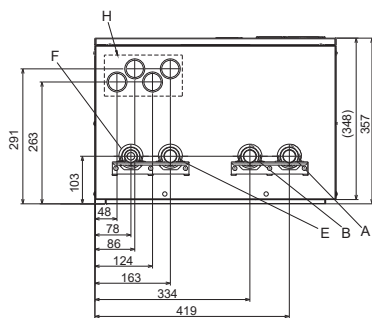
*1 EHPX-YM9ED a EHPX-MED nie sú zahrnuté.
*2 ERSE-YM9ED nie je zahrnutý.
*3 Len model 2HP (E*SD).

3 Technické informácie

■ Technické výkresy



<EHPX> (systém zapuzdreného modelu)



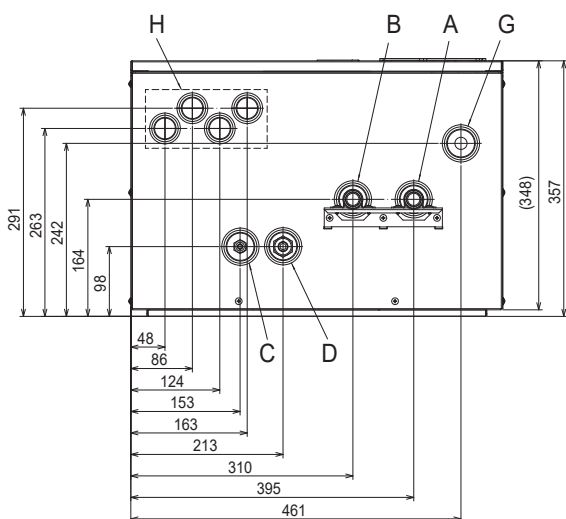
<Pohľad zdola>

Písmeno	Popis potrubia	Veľkosť/typ prípojky
A	Vykurovanie priestoru/ nepriamy zásobník TUV (primárny) Prípojka spätného toku	28 mm/kompresný (EH**.*) G1 matica (ERS*.)
B	Vykurovanie priestoru/ nepriamy zásobník TUV (primárny) Príp. vyk. vody	28 mm/kompresný (EH**.*) G1 matica (ERS*.)
C	Chladivo (kvapalina)	6,35 mm/rozširujúci (E*SD*.) 9,52 mm/rozširujúci (E*SC*.)
D	Chladivo (plyn)	12,7 mm/rozširujúci (E*SD*.) 15,88 mm/rozširujúci (E*SC*.)
E	Prietoková prípojka OD tepelného čerpadla	28 mm/kompresný (EHPX*.)
F	Prípojka spätného toku K tepelnému čerpadlu	28 mm/kompresný (EHPX*.)
G	Vypúšťacia rúrka (inštalatér) z pretlakového ventilu	G1/2" zásuvka (ventilový kanál v skrini hydroboxu)
H	Prívody elektrických káblov ① ② ③ ④	Pre prívody ① and ② vedte vysokonapäťové vodiče, vrátane napájacieho kábla, vnútorného-vonkajšieho kábla a externých výstupných vodičov. Pre prívody ③ a ④ vedte nízkonapäťové vodiče, vrátane externých privádzacích vodičov a vodičov termistorov. Pre kábel bezdrôtového prijímača (voľiteľný) použite v prívod ④.
I	Vypúšťacie puzdro	vonk. priem. ø20

<Tabuľka 3.4>

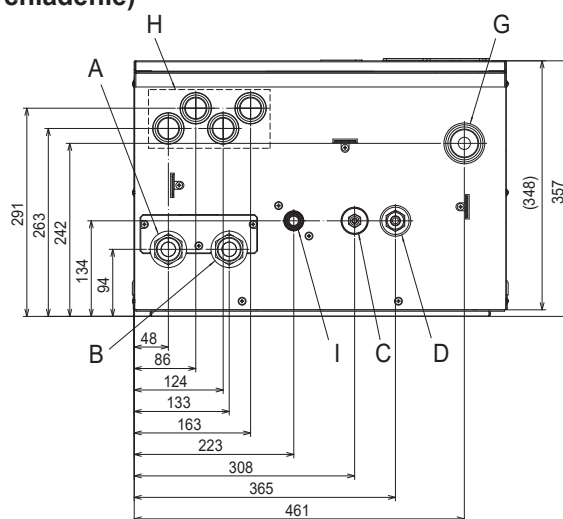
3 Technické informácie

<EHS*> (systém modelu Split)



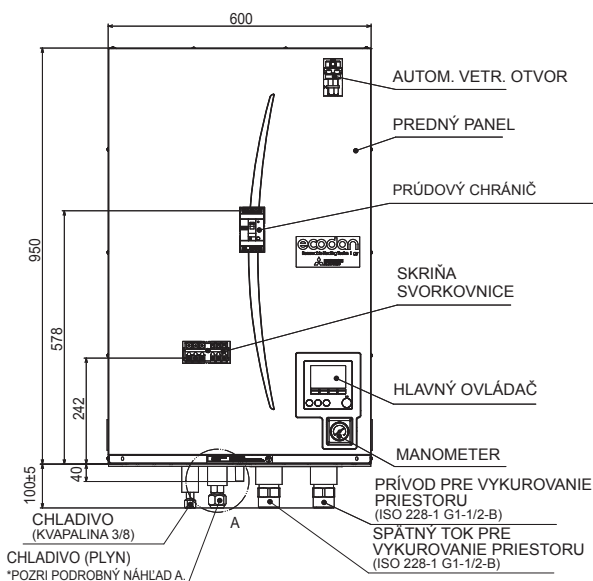
<Pohľad zdola>

<ERS*> (systém modelu Split pre vykurovanie a chladienie)

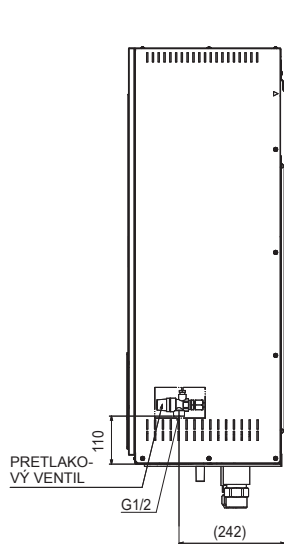


<Pohľad zdola>

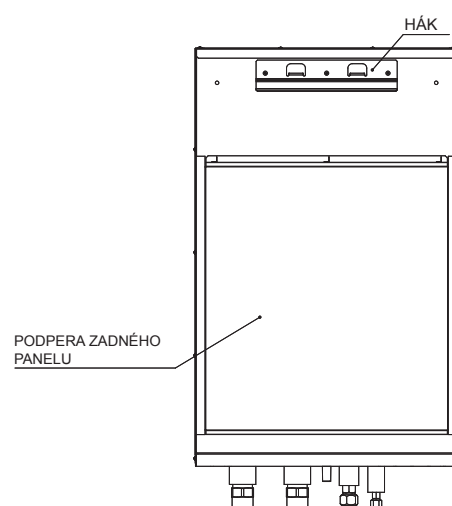
<E*SE> (vykurovací/vykurovací a chladiaci systém)



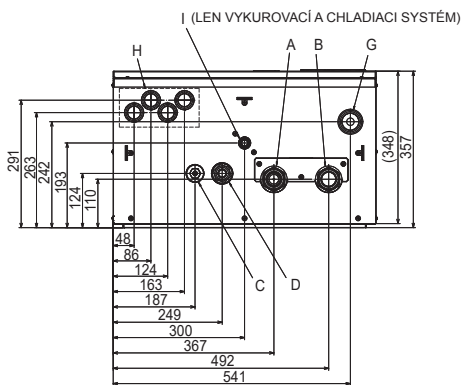
<Predná strana>



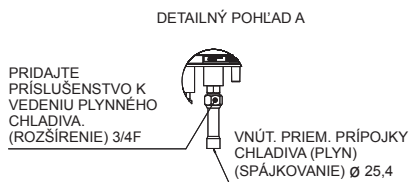
<Bočná strana>



<Zadná strana>



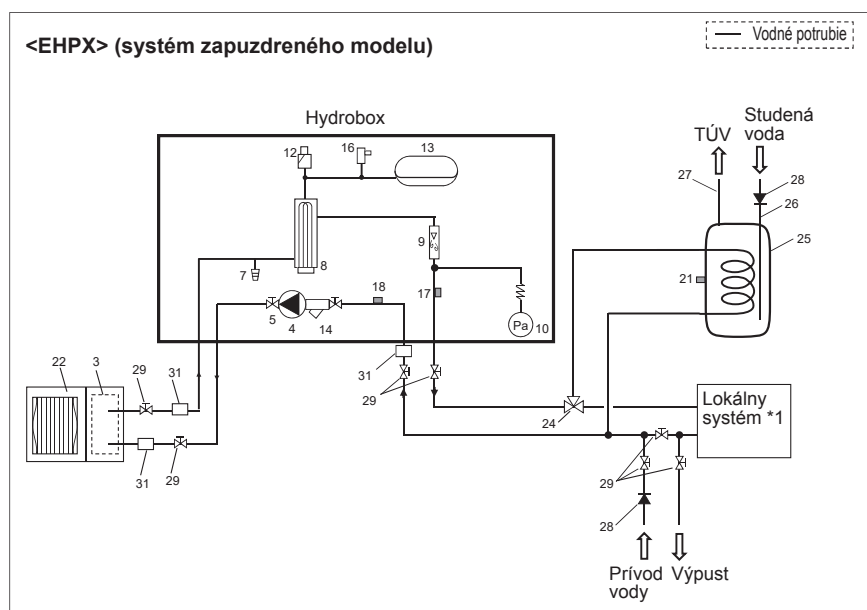
<Pohľad zdola>



sk

3 Technické informácie

■ Schéma vodného okruhu



<Obrázok 3.5>

Poznámka

- Dodržiavajte miestne prepisy na vykonávanie systémovej konfigurácie prípojek TUV.
- Prípojky TUV nie sú súčasťou dodávky hydroboxu. Všetky požadované diely sa musia zakúpiť lokálne.
- Na umožnenie vypustenia hydroboxu sa musí na prívodné a vývodné potrubie umiestniť odpojovací ventil.
- Nainštalujte sitko do prívodného potrubia k hydroboxu.
- Vhodné vypúšťacie potrubie sa musí pripevniť ku všetkým poistným ventilom v súlade s predpismi platnými vo vašej krajine.
- Na prívod vody sa musí nainštalovať ochranné zariadenie proti spätnému toku (IEC 61770).
- Pri použití komponentov vyrobených z rôznych materiálov alebo pri pripájaní potrubí z rôznych kovov zaizolujte spoje na zabránenie korozívnej reakcii, ktorá môže poškodiť potrubie.

Č.	Názov súčiastky	EHPX- *M*(E)D	EHS- MED	EHS- *M*D	EHS- YM9ED	ERS- *M*(E)D	ERS- MED
1	Riadiaca a elektrická skriňa	✓	✓	✓	✓	✓	✓
2	Hlavný diaľkový ovládač	✓	✓	✓	✓	✓	✓
3	Doskový výmenník tepla (chladivo - voda)	-	✓	✓	✓	✓	✓
4	Vodné obehové čerpadlo 1	✓	✓	✓	✓	✓	✓
5	Ventil čerpadla	✓	✓	✓	✓	✓	✓
6	Vetrační otvor (manuálny)	-	✓	✓	✓	✓	✓
7	Vypúšťací kohút (primárny okruh)	✓	✓	✓	✓	✓	✓
8	Ponorný ohrievač 1, 2	✓	-	✓	✓	✓	-
9	Snímač prietoku	✓	✓	✓	✓	✓	✓
10	Manometer	✓	✓	✓	✓	✓	✓
11	Pretlakový ventil (3 bar)	-	✓	✓	✓	✓	✓
12	Automatický vetračný otvor	✓	✓	✓	✓	✓	✓
13	Expanzná nádrž	✓*2	-	✓	-	✓*3	-
14	Sitkový ventil	✓	✓	✓	✓	✓	✓
15	Zachytávacia vaňa	-	-	-	-	✓	✓
16	Pretlakový ventil (5 bar)	✓*2	-	✓	-	✓*3	-
17	THW1	✓	✓	✓	✓	✓	✓
18	THW2	✓	✓	✓	✓	✓	✓
19	TH2	-	✓	✓	✓	✓	✓
20	Snímač tlaku	-	✓*4	✓*4	✓*4	✓*4	✓*4
21	THW5B (voľiteľný diel PAC-TH011TK2-E alebo PAC-TH011TKL2-E)	-	-	-	-	-	-
22	Vonkajšia jednotka	-	-	-	-	-	-
23	Výtokové potrubie (lokálne zásobovanie)	-	-	-	-	-	-
24	3-cestný ventil (lokálne zásobovanie)	-	-	-	-	-	-
25	Nepriamy nevetraný zásobník TUV (lokálne zásobovanie)	-	-	-	-	-	-
26	Prívodná rúrka studenej vody (lokálne zásobovanie)	-	-	-	-	-	-
27	Výtokové potrubie TUV (lokálne zásobovanie)	-	-	-	-	-	-
28	Ochranné zariadenie proti spätnému toku (lokálne zásobovanie)	-	-	-	-	-	-
29	Odpojovací ventil (lokálne zásobovanie)	-	-	-	-	-	-
30	Magnetický filter (lokálne zásobovanie) (odporúčané)	-	-	-	-	-	-
31	Sitko (lokálne zásobovanie)	-	-	-	-	-	-

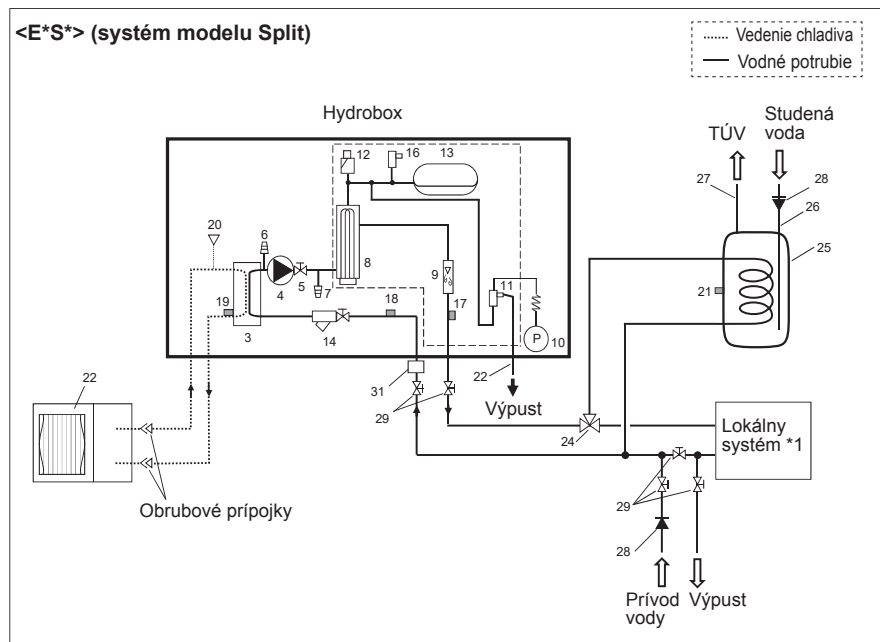
<Tabuľka 3.5>

*1 Pozri nasledujúci odsek [Local system] (Lokálny systém).

*2 EHPX-YM9ED a EHPX-MED nie sú zahrnuté.

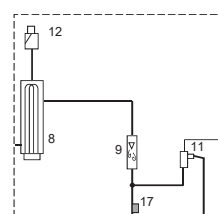
*3 ERSE-YM9ED nie je zahrnutý.

*4 Len model 2HP(E*SD).



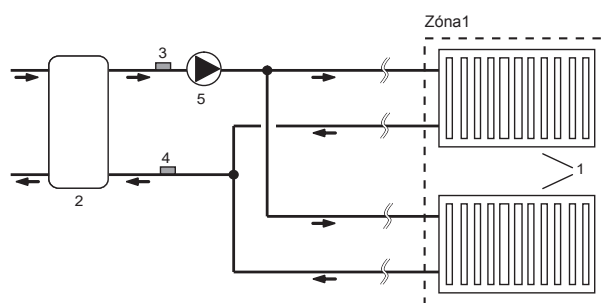
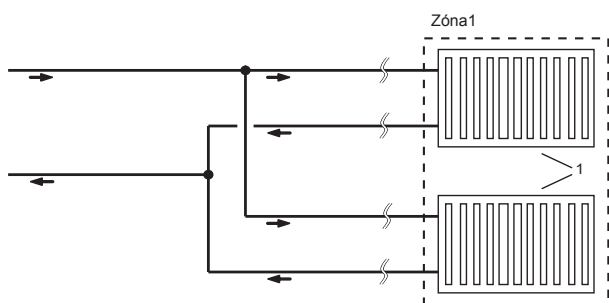
<Obrázok 3.6>

<len E*SE>

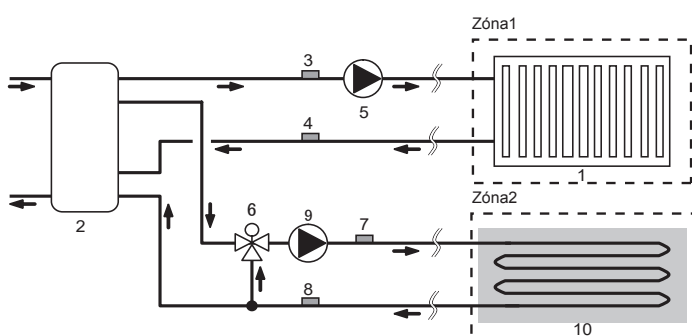


■ Lokálny systém

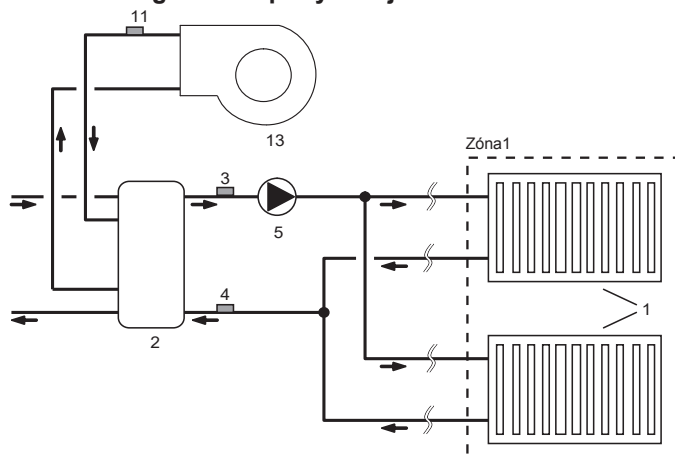
1-zónová regulácia teploty



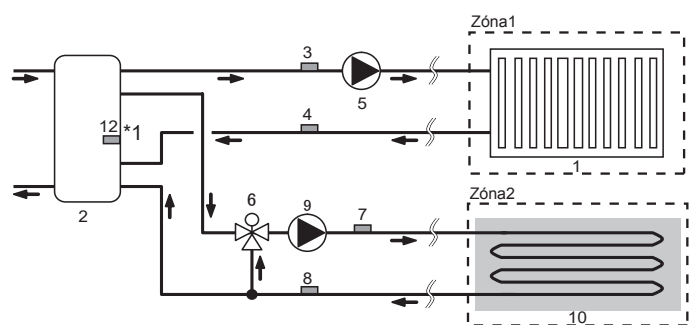
2-zónová regulácia teploty



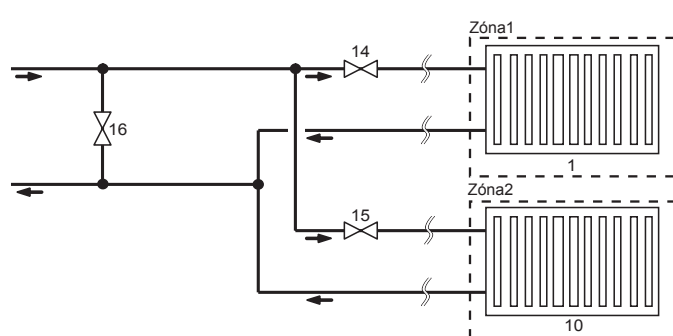
1-zónová regulácia teploty s bojlerom



2-zónová regulácia teploty a riadenie vyrovnávacieho zásobníka



1-zónová regulácia teploty (2-zónová regulácia ZAP./VYP. ventilu)



1. Tepelné žiariče Zóny1 (napr. radiátor, konvektorová jednotka) (lokálne zásobovanie)
2. Zmiešavacia nádrž (miestny prívod)
3. Zóna1 tepl. vyk. vody termistor (THW6)
4. Zóna1 tepl. vody späť. toku termistor (THW7) } Voliteľný diel: PAC-TH011-E
5. Zóna1 vodné obehové čerpadlo (lokálne zásobovanie)
6. Motorový zmiešavací ventil (lokálne zásobovanie)
7. Zóna2 tepl. vyk. vody termistor (THW8)
8. Zóna2 tepl. vody späť. toku termistor (THW9) } Voliteľný diel: PAC-TH011-E
9. Zóna2 vodné obehové čerpadlo (lokálne zásobovanie)

10. Zóna2 tepelné žiariče (napr. podlahové vykurovanie) (lokálne zásobovanie)
11. Bojler tepl. vyk. vody termistor (THWB1)
12. Termistor zmiešavacieho zásobníka (THW10) *1 } Voliteľný diel:
PAC-TH012HT(L)-E
13. Bojler (lokálne zásobovanie)
14. Zóna1 2-cestný ventil (lokálne zásobovanie)
15. Zóna2 2-cestný ventil (lokálne zásobovanie)
16. Obtokový ventil (lokálne zásobovanie)

*1 LEN riadenie vyrovnávacieho zásobníka (vykurovanie/chladenie) platí pre „Pripravené pre Smart Grid“.

<Príprava pred inštaláciou a servisom>

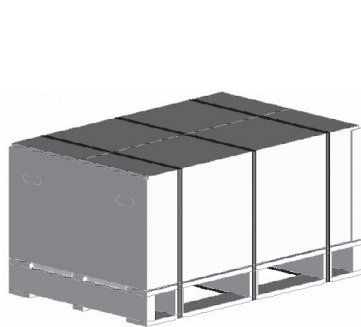
- Pripravte si vhodné náradie.
- Pripravte si vhodnú ochrannú výbavu.
- Pred začatím údržby nechajte súčiastky vychladnúť.
- Zabezpečte vhodné vetranie.
- Po zastavení prevádzky systému vypnite napájací istič a odpojte sieťovú zástrčku.
- Pred začatím prác na elektrických súčiastkach vybite kondenzátor.

<Bezpečnostné opatrenia počas servisu>

- Nevykonávajte práce na elektrických súčiastkach s mokrymi rukami.
- Nelejte vodu alebo kvapaliny na elektrické súčiastky.
- Nedotýkajte sa chladiva.
- Nedotýkajte sa horúcich alebo studených povrchov v cykle chladiva.
- Ak sa musí vykonať oprava alebo inšpekcia okruhu pri zapnutom napájaní, dávajte veľký pozor, aby ste sa NEDOTKLI žiadnych súčiastok POD NAPÄTÍM.

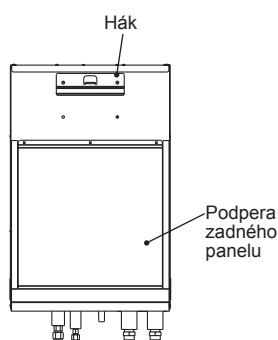
4.1 Umiestnenie

■ Preprava a manipulácia



<Obrázok 4.1.1>

Hydrobox sa dodáva na drevenej palete s lepenkovou ochranou.



<Obrázok 4.1.2>

Pri preprave hydroboxu dávajte pozor, aby sa skriňa nepoškodila pri náraze. Neodstraňujte ochranný obal, predtým než sa hydrobox prepraví na koncové miesto. Tým sa ochráni konštrukcia a ovládací panel.

Poznámka:

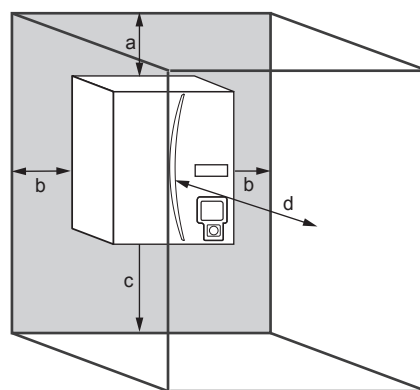
- Hydrobox by mali **VŽDY** prepravovať aspoň 2 osoby.
- Pri preprave alebo zdvíhaní **NEDRŽTE** za potrubie.

■ Schémy pre servisný prístup

Servisný prístup	
Parameter	Rozmer (mm)
a	200
b	150
c	500
d	500

<Tabuľka 4.1.1>

MUSÍ sa zabezpečiť dostatočný priestor na zabezpečenie vypúšťacej rúrky podľa vnútroštátnych a miestnych stavebných predpisov.



<Obrázok 4.1.3>

Servisný prístup

Hydrobox sa musí umiestniť vo vnútri a v prostredí bez mrazu, napríklad v sklade.

■ Vhodné miesto

Pred inštaláciou uskladnite hydrobox na mieste chránenom pred poveternostnými vplyvmi bez mrazu. Jednotky sa **NESMÚ** stohovať na seba.

- Hydrobox sa musí nainštalovať vnútri na mieste chránenom pred poveternostnými vplyvmi a mrazom.
- Nainštalujte hydrobox na miesto, kde nie je vystavené vode/nadmernej vlhkosti.
- Hydrobox sa musí umiestniť na rovnú stenu s dostatočnou nosnosťou pre naplnenú hmotnosť.
- Hmotnosť je uvedená v odseku „3. Technické informácie“.
- Dbajte na to, aby sa zabezpečili minimálne vzdialenosti okolo a pred jednotkou na servisný prístup <Obrázok 4.1.3>.
- Pripevnite hydrobox na zabránenie prevráteniu.
- Na pripevnenie hydroboxu na stenu použite hák a podpery panelu. <Obr. 4.1.2>

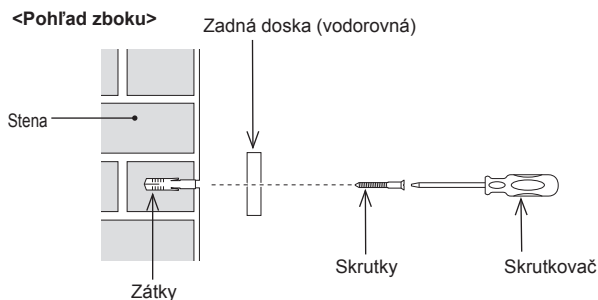
■ Premiestnenie hydroboxu

Ak sa musí hydrobox presunúť na nové miesto, **ÚPLNE VYPUSTITE** hydrobox pred presunutím, aby sa zabránilo poškodeniu jednotky.

Poznámka: Pri preprave alebo zdvíhaní hydroboxu **NEDRŽTE** za potrubie.

Postup pri montáži

- Nainštalujte príslušenstvo zadnej dosky, ktoré je súčasťou dodávky.
* Pri montáži zadnej dosky použite lokálne dodané skrutky a vhodné upevňovacie zátky.

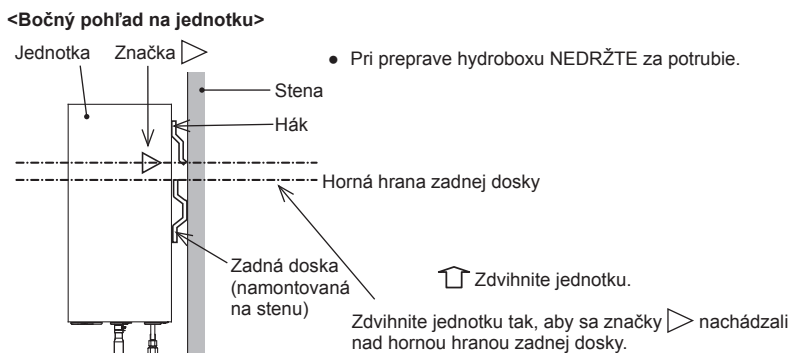


<Obrázok 4.1.4>

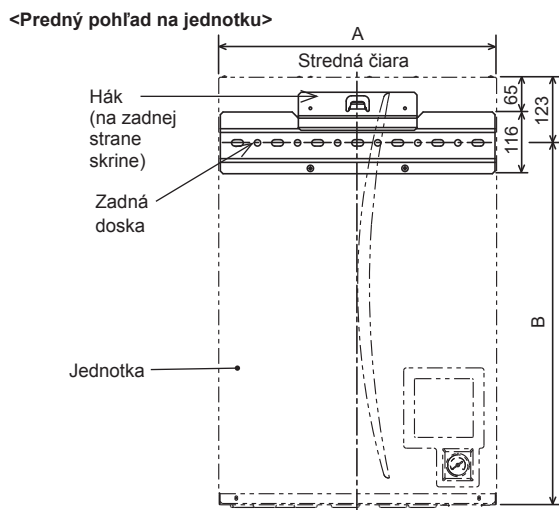
- Správne pripevnite zadnú dosku so svojim vodorovným štrbinovým profilom NAHOR. Zadná doska je vybavená montážnymi otvormi na skrutky, ktoré sú okrúhle alebo oválne. Na zabránenie pádu jednotky zo steny zvolte vhodný počet dier alebo otvorov a vodorovne upevnite zadnú dosku na vhodné miesto na stene.

- Vložte hák na zadnej strane hydroboxu za štrbinu zadnej dosky.
*Zdvíhanie hydroboxu sa realizuje tak, že sa najprv jednotka nakloní dopredu použitím dodanej obalovej vložky.

- i) Každý pravý a ľavý panel je označený značkou ▷.
Zdvihnite jednotku tak, aby značky ▷ boli umiestnené nad hornou hranou zadnej dosky, ako je zobrazené nižšie.

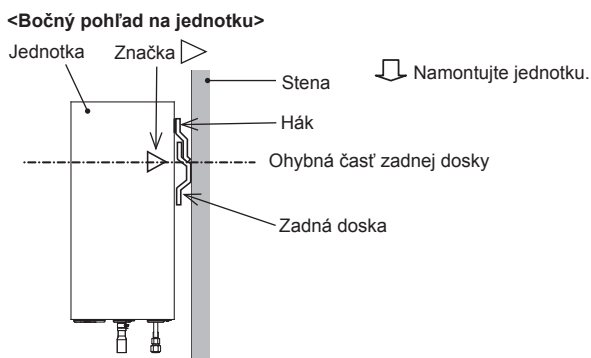


<Obrázok 4.1.5>



<Obrázok 4.1.7>

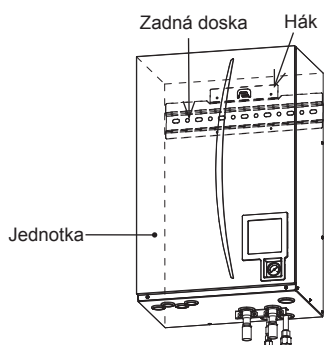
- ii) Skontrolujte a zabezpečte, aby značky ▷ boli umiestnené a správne obsadené na úrovni ohybnej časti na zadnej doske, ako je zobrazené na obrázku nižšie.



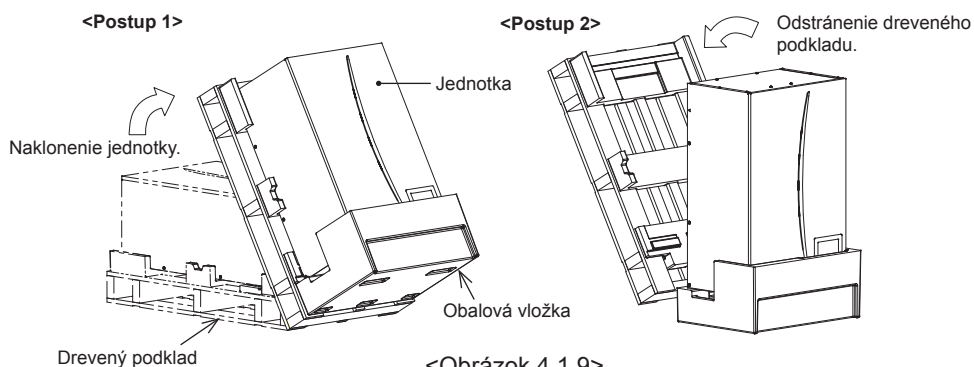
<Obrázok 4.1.6>

- Na obrázku 4.1.7 sú zobrazené relatívne polohy medzi jednotkou a zadnou doskou upevnenou na stene. Nainštalujte zadnú dosku podľa <Obrázok 4.1.3> Servisný prístup.

Hydrobox	Rozmery (mm)	
	A	B
E*SC	530	677
E*SD	530	677
EHPX	530	677
E*SE	600	827



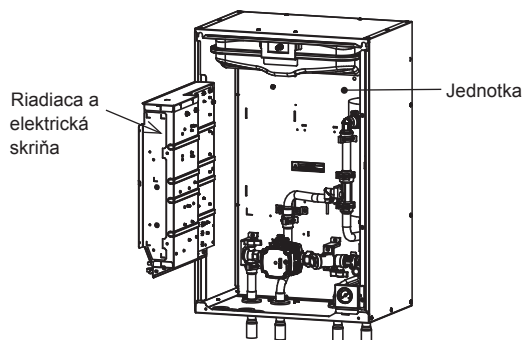
<Obrázok 4.1.8>



<Obrázok 4.1.9>

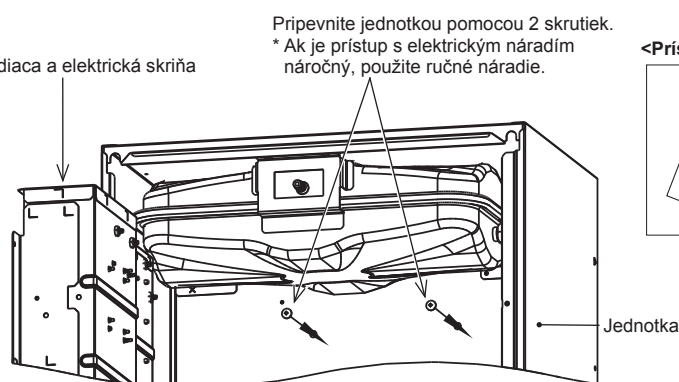
4 Inštalácia

3. Podľa odseku „Prístup k vnútorným komponentom a riadiacej a elektrickej skriňi“ pripevnite jednotku na zadnú dosku použitím 2 skrutiek (súčasť príslušenstva).



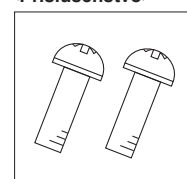
<Obrázok 4.1.10>

Pripevnite jednotku pomocou 2 skrutiek.

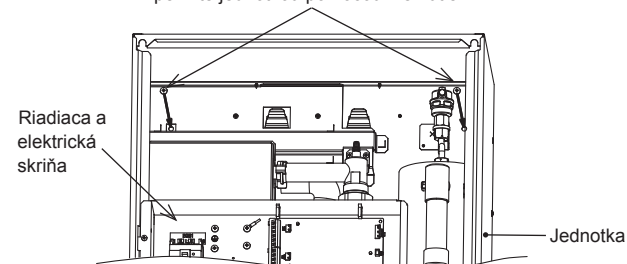


<Obrázok 4.1.11>

<Príslušenstvo>



Skrutka
M5x8



<Obrázok 4.1.12>

UPOZORNENIE: PRED vykonaním montáže potrubia na mieste, pripevnite a dotiahnite tieto dve skrutky. V opačnom prípade by sa mohol hák uvoľniť a jednotka by mohla spadnúť.

4.2 Kvalita vody a príprava systému

■ Všeobecne

- Voda v primárnom a sanitárnom okruhu musí byť čistá a mať hodnotu pH 6,5 až 8,0.
- Nižšie uvedené hodnoty sú maximálne hodnoty;
Vápnik: 100 mg/L, Ca tvrdosť: 250 mg/L
Chlór: 100 mg/L, meď: 0,3 mg/L
- Ostatné prvky musia spĺňať predpisy európskej smernice 98/83 ES.
- V známych oblastiach s tvrdou vodou je na zabránenie/minimalizáciu tvorby vodného kameňa prospešné obmedziť teplotu nahromadenej vody (max. tepl. TUV) na 55°C.

■ Nemrznúci roztok

Nemrznúci roztok by mal používať propylén glykol s klasifikáciou toxicity Trieda 1 podľa dokumentu Clinical Toxicology of Commercial Products, 5. vydanie.

Poznámka:

1. Etylén glykol je jedovatý a NEMIE sa používať v primárnom vodnom okruhu v prípade krížovej kontaminácie pitného okruhu.
2. Pre 2-zónovú reguláciu ZAP./VYP. ventilu použite propylén glykol.

■ Nová inštalácia (primárny vodný okruh)

- Pred pripojením vonkajšej jednotky dôkladne vyčistite potrubie od stavebného odpadu, spájky atď. pomocou vhodných chemických čistiacich prostriedkov.
- Prepláchnite systém na odstránenie chemického čistiaceho prostriedku.
- Pre všetky zapuzdrené modely a model Split alebo systém PUMY bez prídavného ohrievača pridajte kombinovaný inhibítor a nemrznúci roztok na zabránenie poškodenia potrubia a komponentov systému.
- Pre systémy modelu Split musí zodpovedný inštalátor rozhodnúť, či je potrebný nemrznúci roztok pre dané prevádzkové podmienky. VŽDY však používajte protikorozy prostriedok.

■ Existujúca inštalácia (primárny vodný okruh)

- Pred pripojením vonkajšej jednotky sa MUSÍ existujúci vykurovací okruh chemicky vyčistiť na odstránenie úlomkov z vykurovacieho okruhu.
- Prepláchnite systém na odstránenie chemického čistiaceho prostriedku.
- Pre všetky zapuzdrené modely pridajte kombinovaný inhibítor a nemrznúci roztok na zabránenie poškodenia potrubia a komponentov systému.
- Pre systémy modelu Split musí zodpovedný inštalátor rozhodnúť, či je potrebný nemrznúci roztok pre dané prevádzkové podmienky. VŽDY však používajte protikorozy prostriedok.

Pri použití chemických čistiacich prostriedkov a inhibítorov vždy dodržiavajte pokyny výrobcu a zabezpečte, aby bol výrobok vhodný pre dané materiály použité vo vodnom okruhu

■ Minimálne množstvo vody potrebné pre okruh vykurovania priestoru/chladiaci okruh

Vonkajšia jednotka tepelného čerpadla	Stredná/teplejšia klíma**		Chladnejšia klíma**	
	Vnútorná jednotka obsahujúca množstvo vody [L]	*Dodatočné potrebné množstvo vody [L]	Vnútorná jednotka obsahujúca množstvo vody [L]	*Dodatočné potrebné množstvo vody [L]
Model Kompakt	5	2	5	24
PUZ-WM50		4		29
PUZ-WM60		7		32
PUZ-WM85		11		43
PUZ-WM112		15		55
Model Split	5	1	5	12
SUZ-SWM40		2		21
SUZ-SWM60		4		29
SUZ-SWM80		6		27
PUHZ-FRP71		6		27
PUHZ-SW75		9		38
PUHZ-SW100		12		47
PUHZ-SW120		18		64
PUHZ-SW160		24		81
PUHZ-SW200		6		29
PUHZ-SHW80		11		43
PUHZ-SHW112		15		55
PUHZ-SHW140		28		94
PUHZ-SHW230		22		75
PUMY-P112		22		75
PUMY-P125	22	75		
PUMY-P140	22	75		

<Tabuľka 4.2.1>

* Ak je k dispozícii obtokový okruh, zobrazuje vyššie uvedená tabuľka minimálne množstvo vody v prípade obtoku.

** Pozri smernicu 2009/125/ES: o energeticky významných výrobkoch a Nariadenie (EÚ) č. 813/2013 na overenie vašej klimatickej zóny.

Prípád 1. Primárny a sekundárny okruh nie je oddelený

- Zabezpečte požadované množstvo vody podľa tabuľky 4.2.1 podľa vodného potrubia a radiátorového alebo podlahového vykurovania.

Prípád 2. Samostatný primárny a sekundárny okruh

- Ak blokovacia prevádzka primárneho a sekundárneho čerpadla nie je k dispozícii, zabezpečte potrebnú dodatočnú vodu len v primárnom okruhu podľa tabuľky 4.2.1.
- Ak je k dispozícii blokovacia prevádzka primárneho a sekundárneho čerpadla, zabezpečte celkové množstvo vody pre primárny a sekundárny okruh podľa tabuľky 4.2.1.

V prípade nedostatku požadovaného množstva vody, namontujte vyrovnávaciu nádrž.

4 Inštalácia

4.3 Vodné potrubie

Poznámka: Zabráňte, aby prevádzkové potrubie namáhalo potrubie na hydroboxe. Pripevnite prevádzkové potrubie na stenu alebo ho pripevnite iným spôsobom.

■ Potrubie na teplú vodu

Pri inštalácii skontrolujte akékoľvek odchýlky funkčnosti nasledujúcich bezpečnostných komponentov jednotky hydrobox:

- Pretlakový ventil
- Predplnenie expanznej nádrže (plniaci tlak plynu)

Starostlivo dodržiavajte pokyny na nasledujúcich stranách týkajúce sa bezpečného vypúšťania teplej vody z bezpečnostných zariadení.

- Potrubie sa zohreje na veľmi vysokú teplotu a malo by sa preto odizolovať na zabránenie popáleninám.
- Pri pripájaní potrubia zabezpečte, aby sa do potrubia nedostali žiadne cudzie predmety, ako napríklad úlomky a pod.

■ Prípojky bezpečnostného zariadenia

Hydrobox je vybavený pretlakovým ventilom. (pozri <Obrázok 4.3.1>) Veľkosť prípojky je G1/2" (zásuvka). Inštalatér MUSÍ zodpovedne pripojiť vhodné vypúšťacie potrubie z tohto ventilu v súlade s miestnymi a vnútroštátnymi predpismi.

Pri nerešpektovaní tohto pokynu má za následok výtok z pretlakového ventilu priamo do hydroboxu a spôsobiť vážne poškodenie výrobku.

Všetky použité potrubia musia odolať výpustu teplej vody. Pretlakové ventily sa NESMÚ používať na iné účely a ich výtok sa musí zakončiť bezpečným, vhodným spôsobom v súlade s miestnymi predpismi.

Poznámka: Dbajte na to, aby NEBOLI manometer a pretlakový ventil napäté na kapilárnej strane, resp. na strane prívodu.

Ak sa pridá pretlakový ventil, je dôležité, aby sa medzi prípojky hydroboxu a pridaný pretlakový ventil nenamontovala žiadna spätná klapka alebo odpojovací ventil (kvôli bezpečnosti).

■ Použitie hydraulického filtra (LEN rad EHPX)

Nainštalujte hydraulický filter alebo sitko (lokálne zásobovanie) na prívode vody („Potrubie E“ v tabuľke 3.4, pozri aj príslušnú schému na obr. 3.5)

■ Prípojky potrubí

Prípojky pre jednotky hydrobox sa musia realizovať pomocou kompresného fittingu 28mm (rad EHSC/D) alebo G1 matice (rad ERSC/D), matice G1-1/2 (rad E*SE) podľa potreby. (Hydrobox má G1 alebo G1-1/2 (na zasunutie) závitové prípojky.)

Neuťahujte nadmerne kompresné fittingy, pretože to môže mať za následok deformáciu olivového krúžku a možnú netesnosť.

Poznámka: Pred spájkovaním rúrok na mieste chráňte rúrky na hydroboxe pomocou mokrych handier atď. („tepelný štít“).

Použite dva kľúče na dotiahnutie prípojok rúr (pozri <Obrázok 4.3.2>).

■ Vypúšťacie potrubie (LEN rad ER)

Vypúšťacie potrubie sa musí nainštalovať na vypúšťanie kondenzátu v režime chladenia.

- Bezpečne nainštalujte vypúšťacie potrubie na zabránenie úniku z prípojky.
- Bezpečne odizolujte vypúšťacie potrubie na zabránenie kvapkajúcej vody z lokálneho vypúšťacieho potrubia.
- Nainštalujte vypúšťacie potrubie so sklonom 1/100 alebo väčším.
- Neumiestňujte vypúšťacie potrubie do vypúšťacieho kanála, kde existuje sýrny plyn.
- Po inštalácii skontrolujte, či vypúšťacie potrubie riadne odvádza vodu z výstupu do potrubia.

<Inštalácia>

1. Naneste lepidlo na báze polyvinylchloridu na šrafované povrchy vo vnútri vypúšťacej rúrky a na vonkajšiu stranu vypúšťacieho puzdra, ako je zobrazené na obrázku.

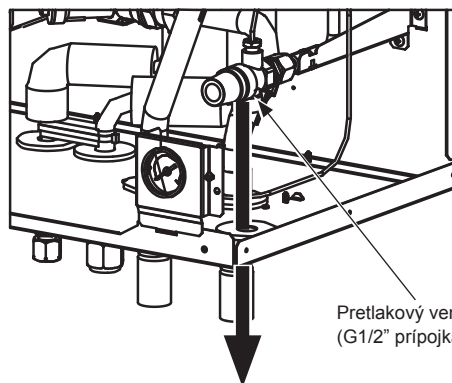
2. Vložte vypúšťacie puzdro hlboko do vypúšťacieho potrubia <Obrázok 4.3.3>.

Poznámka: Pevne zabezpečte lokálne dodanú vypúšťaciu rúrkou pomocou rúrkovej podpory na zabránenie pádu vypúšťacej rúrky z vypúšťacieho puzdra.

Na zabránenie, aby znečistená voda unikala priamo na podlahu vedľa hydroboxu, pripojte vhodnú vypúšťaciu rúrkou z hydroboxu.

■ Izolácia potrubia

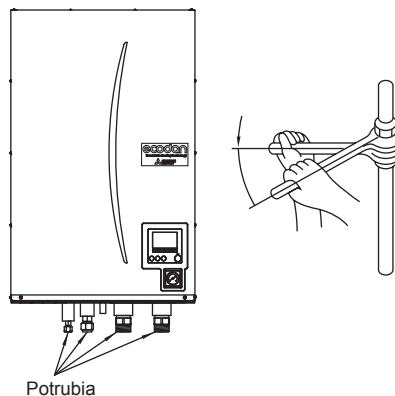
- Všetky holé vodné potrubia sa musia odizolovať na zabránenie zbytočným tepelným stratám a kondenzácii. Na zabránenie vstupu kondenzátu do hydroboxu sa musí potrubie a prípojky na hornej časti hydroboxu starostlivo odizolovať.
- Potrubie na studenú a teplú vodu by sa nemalo viesť blízko vedľa seba, aby sa zabránilo neželenému prenosu tepla.
- Potrubie medzi vonkajším tepelným čerpadlom a hydroboxom sa musí odizolovať pomocou vhodného izolačného materiálu s tepelnou vodivosťou $\leq 0,04$ W/m.K.



Pretlakový ventil namontovaný z výroby (G1/2" prípojka - zásuvka)

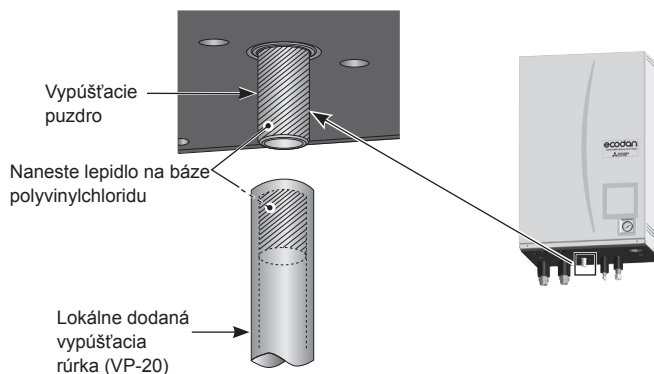
Vypustenie do odtoku (inštalatér MUSÍ zodpovedne namontovať rúrku).

<Obrázok 4.3.1>



Potrubia

<Obrázok 4.3.2>



Vypúšťacie puzdro

Naneste lepidlo na báze polyvinylchloridu

Lokálne dodaná vypúšťacia rúrkou (VP-20)

<Obrázok 4.3.3>

Vlastnosti vodného obehového čerpadla

Otáčky čerpadla je možné vybrať pomocou nastavenia hlavného diaľkového ovládača (pozri <Obrázok 4.3.4 až 4.3.9>). Prispôbte nastavenie otáčok čerpadla tak, aby prietoková rýchlosť v primárnom okruhu bola vhodná pre nainštalovanú vonkajšiu jednotku (pozri tabuľku 4.3.1). Môže byť potrebné pridať do systému dodatočné čerpadlo v závislosti od dĺžky a vztlaku primárneho okruhu.

Pre model vonkajšej jednotky, ktorý nie je uvedený v <tabuľke 4.3.1> pozri Rozsah prietokovej rýchlosti vody v tabuľke špecifikácií v údajovom liste vonkajšej jednotky.

<Druhé čerpadlo>

Ak je na montáž potrebné druhé čerpadlo, prečítajte si starostlivo nasledujúce pokyny.

Ak sa v systéme používa druhé čerpadlo, môže sa umiestniť 2 spôsobmi. Poloha čerpadla ovplyvňuje, ku ktorej koncovke FTC by sa mal pripojiť signálny kábel. Ak majú dodatočné čerpadlá vyšší prúd ako 1A, použite vhodné relé. Signálny kábel čerpadla sa môže pripojiť buď k TBO.1 1-2 alebo CNP1, avšak NIE k obidvom.

Možnosť 1 (len vykurovanie/chladenie priestoru)

Ak sa používa druhé čerpadlo len pre vykurovací obvod, musí sa signálny kábel pripojiť ku TBO.1 koncovke 3 a 4 (OUT2). Na tomto mieste sa môže čerpadlo prevádzkovať s odlišnou rýchlosťou v porovnaní s čerpadlom zabudovaným v hydroboxe.

Možnosť 2 (primárny okruh TUV a vykurovanie/chladenie priestoru)

Ak sa používa druhé čerpadlo v primárnom okruhu medzi hydrobox a vonkajšou jednotkou (LEN zapuzdrený systém), musí sa signálny kábel pripojiť ku TBO.1 koncovke 1 a 2 (OUT1). Na tomto mieste sa **MUSÍ** rýchlosť čerpadla zhodovať s rýchlosťou čerpadla zabudovaného v hydroboxe.

Poznámka: Pozri odsek 5.2 Pripájanie vstupov/výstupov.

Vonkajšia jednotka tepelného čerpadla		Rozsah prietokovej rýchlosti [L/min]
Model Kompakt	PUZ-WM50	6,5 - 14,3
	PUZ-WM60	8,6 - 17,2
	PUZ-WM85	10,8 - 25,8
	PUZ-WM112	14,4 - 32,1
	PUZ-HWM140	17,9 - 36,9
Model Split	SUZ-SWM40	6,5 - 11,4
	SUZ-SWM60	7,2 - 17,2
	SUZ-SWM80	7,8 - 21,5
	PUHZ-FRP71	11,5 - 22,9
	PUHZ-SW75	10,2 - 22,9
	PUHZ-SW100	14,4 - 32,1
	PUHZ-SW120	20,1 - 36,9
	PUHZ-SHW80	10,2 - 22,9
	PUHZ-SHW112	14,4 - 32,1
	PUHZ-SHW140	17,9 - 36,9
	PUMY-P112	17,9 - 35,8
	PUMY-P125	17,9 - 35,8
	PUMY-P140	17,9 - 35,8

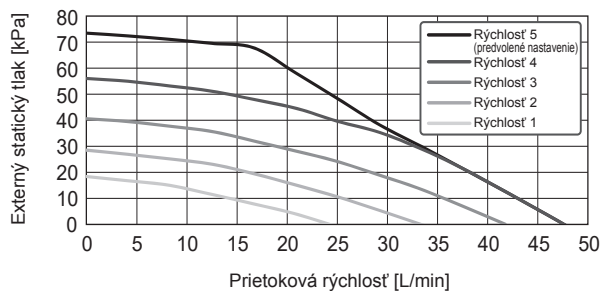
<Tabuľka 4.3.1>

* Ak je prietok vody menší ako minimálna prietoková rýchlosť snímača prietoku (štandardne 5,0 L/min), aktivuje sa chyba prietokovej rýchlosti.

Ak prietoková rýchlosť vody prekročí 36,9 L/min, bude prietoková rýchlosť väčšia ako 2,0 m/s, čo by mohlo narušiť potrubia.

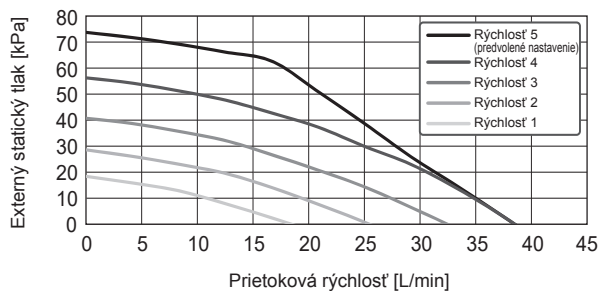
Vlastnosti vodného obehového čerpadla

Rad EHPX



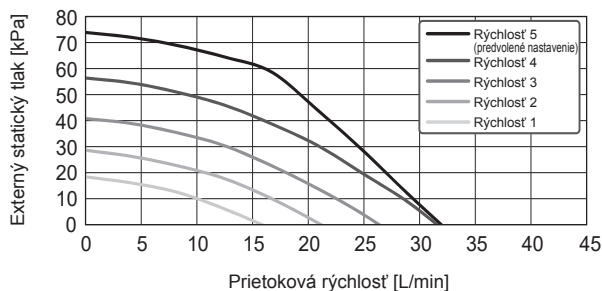
<Obrázok 4.3.4>

Rad ERSC



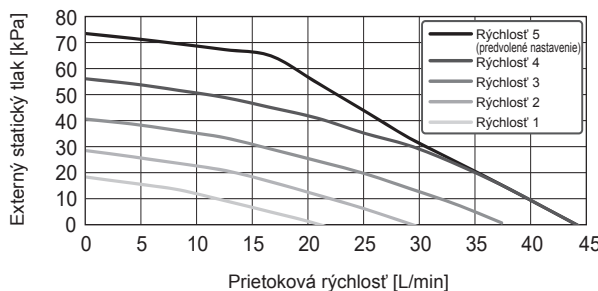
<Obrázok 4.3.5>

Rad ERSD



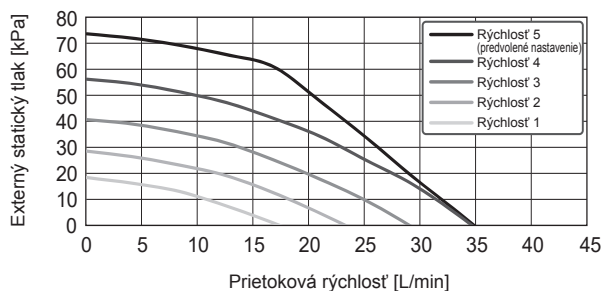
<Obrázok 4.3.6>

Rad EHSC



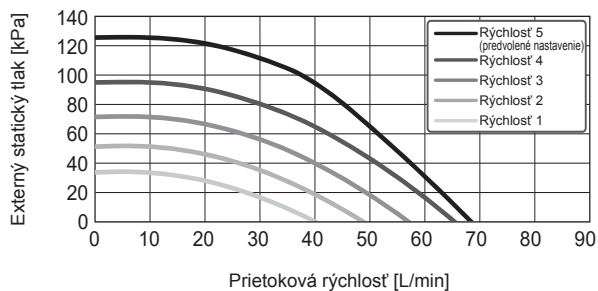
<Obrázok 4.3.7>

Rad EHSD



<Obrázok 4.3.8>

Rad E*SE



<Obrázok 4.3.9>

4 Inštalácia

■ Dimenzovanie expanzných nádrží

Objem expanznej nádrže musí byť vhodný pre objem vody lokálneho systému. Na dimenzovanie expanznej nádrže pre vykurovací, ako aj chladiaci okruh môžete použiť nasledujúci vzorec a graf.

Ak potrebný objem expanznej nádrže prekročí objem zabudovanej expanznej nádrže, nainštalujte dodatočnú expanznú nádrž tak, aby súčet objemov expanzných nádrží prekročoval potrebný objem expanznej nádrže.

* Pre inštaláciu modelu E***.M*ED nainštalujte vhodnú expanznú nádrž pre primárnu stranu a dodatočný pretlakový ventil 3 bar, pretože model sa nedodáva s expanznou nádržou pre primárnu stranu.

$$V = \frac{\varepsilon \times G}{1 - \frac{P_1 + 0,098}{P_2 + 0,098}}$$

Kde;

V : Potrebný objem expanznej nádrže [L]
 ε : Koefficient rozťažnosti vody
 G : Celkový objem vody v systéme [L]
 P₁ : Nastavovací tlak expanznej nádrže [MPa]
 P₂ : Max. tlak počas prevádzky [MPa]

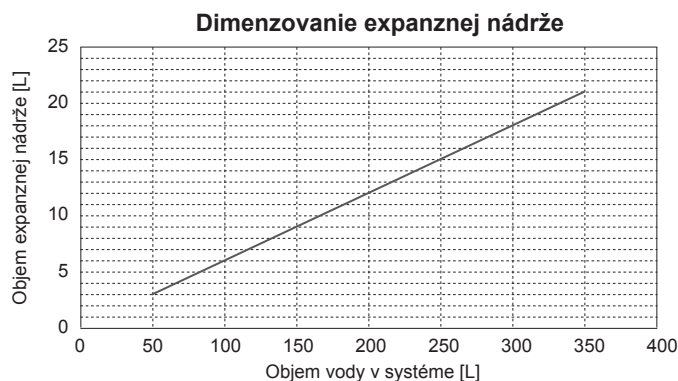
Graf vpravo je pre nasledujúce hodnoty

ε : pri 70°C = 0,0229

P₁ : 0,1 MPa

P₂ : 0,3 MPa

*Bola pridaná 30 % tolerancia.



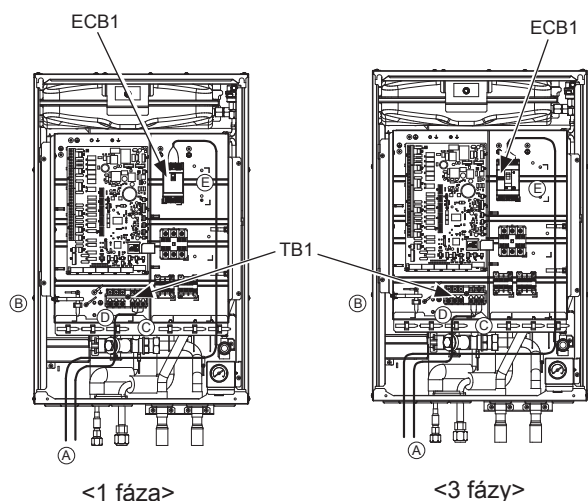
<Obrázok 4.3.10>

4.4 Elektrické pripojenie

Všetky elektrické práce musí vykonávať technik s vhodnou kvalifikáciou.

Nerešpektovanie tohto pokynu môže mať za následok zásah elektrickým prúdom, požiar a smrť. Takisto stráca platnosť záruka na výrobok. Všetka kabeláž sa musí realizovať podľa vnútroštátnych predpisov pre kabeláž.

Skratka ističa	Význam
ECB1	Prúdový chránič pre prídavný ohrievač
TB1	Radová svorkovnica 1



<Obrázok 4.4.1>

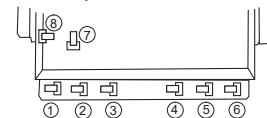
Hydrobox môže byť napájaný dvoma spôsobmi.

1. Napájací kábel vedie od vonkajšej jednotky k hydroboxu.
2. Hydrobox má nezávislý zdroj napájania.

Pripojky sa musia realizovať na koncovky uvedené na obrázkoch vľavo nižšie, v závislosti od fázy.

Prídavný ohrievač a ponorný ohrievač sa musia pripojiť nezávisle od seba k príslušným zdrojom napájania.

- A Lokálne dodané vodiče sa musia vložiť cez privody na hornej strane hydroboxu. (Pozri <Tabuľka 3.4>.)
- B Vodiče sa musia viesť naľavo od radiacej a elektrickej skrine a upevniť pomocou dodaných svoriek.
- C Vodiče sa musia zaistiť pomocou káblových vviazačov podľa obrázka nižšie.
 - 1 Výstupné vodiče
 - 2 Vnútorň-vonkajší vodič
 - 3 Elektrické vedenie (príd. ohr.)
 - 4 Vedenia signálneho vstupu/ vodič bezdrôtového prijímača (voliteľný) (PAR-WR51R-E)
- D Pripojte kábel spájajúci vonkajšiu jednotku a hydrobox ku TB1.
- E Pripojte elektrický kábel pre prídavný ohrievač k ECB1.



• Zabezpečte, aby bol ECB1 zapnutý.

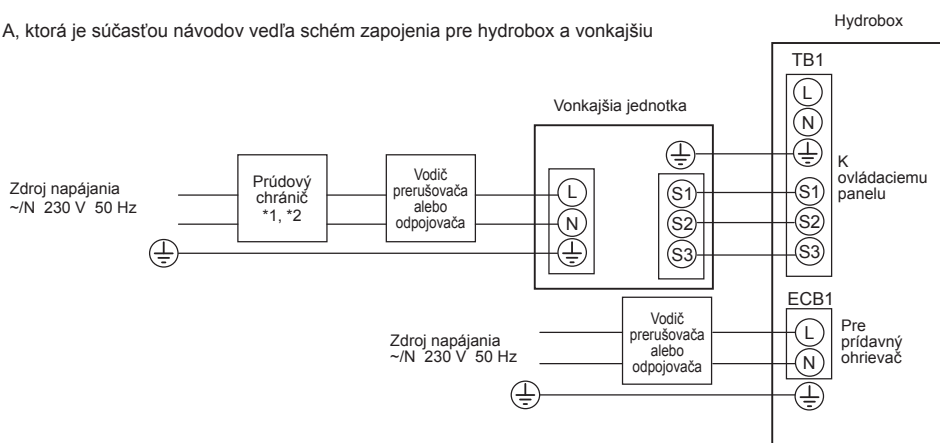
sk

4 Inštalácia

Hydrobox poháňaný cez vonkajšiu jednotku
(Ak chcete použiť nezávislý zdroj, prejdite na webovú stránku Mitsubishi.)

<1 fáza>

Pripevnite etiketu A, ktorá je súčasťou návodov vedľa schém zapojenia pre hydrobox a vonkajšiu jednotku.



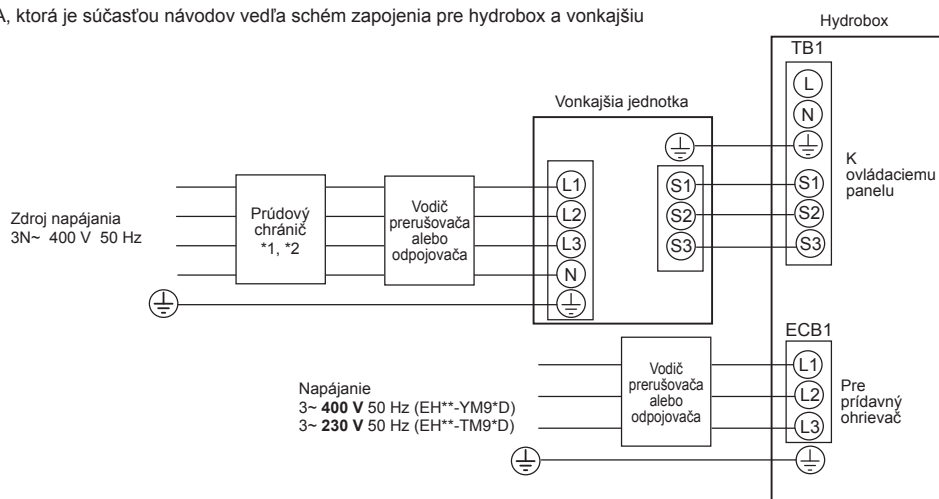
*1 Ak nainštalovaný prúdový chránič nemá nadprúdovú ochrannú funkciu, nainštalujte chránič s touto funkciou v rámci toho istého elektrického vedenia.

<Obrázok 4.4.2>
Elektrické prípojky 1-fázové

Popis	Zdroj napájania	Výkon	Istič	Kabeláž
Prídavný ohrievač	~N 230 V 50 Hz	2 kW	16 A *2	2,5 mm ²
		6 kW	32 A *2	6,0 mm ²

<3 fázy>

Pripevnite etiketu A, ktorá je súčasťou návodov vedľa schém zapojenia pre hydrobox a vonkajšiu jednotku.



*1 Ak nainštalovaný prúdový chránič nemá nadprúdovú ochrannú funkciu, nainštalujte chránič s touto funkciou v rámci toho istého elektrického vedenia.

<Obrázok 4.4.3>
Elektrické prípojky 3-fázové

Popis	Zdroj napájania	Výkon	Istič	Kabeláž
Prídavný ohrievač	3~ 400 V 50 Hz	9 kW	16 A *2	2,5 mm ²
	3~ 230 V 50 Hz	9 kW	32 A *2	6,0 mm ²

Kabeláž Počet vod. x veľkosť (mm ²)	Hydrobox - vonkajšia jednotka	*3	3 × 1,5 (pólový)
	Hydrobox - zem vonkajšej jednotky	*3	1 × min. 1,5
Napätie okruhu	Hydrobox - vonkajšia jednotka S1 - S2	*4	230 V AC
	Hydrobox - vonkajšia jednotka S2 - S3	*4	24 V DC

*1. Ak nainštalovaný prúdový chránič nemá nadprúdovú ochrannú funkciu, nainštalujte chránič s touto funkciou v rámci toho istého elektrického vedenia.

*2. Použite chránič s kontaktmi oddelenými aspoň 3,0 mm na každom póle. Použite prúdový chránič (NV). Chránič sa musí namontovať na zaručenie odpojenia všetkých aktívnych fázových vodičov napájania.

*3. Max. 45 m

Ak sa použije 2,5 mm², max. 50 m

Ak sa použije 2,5 mm² a S3 oddelene, max. 80 m

*4. Hodnoty uvedené v tabuľke vyššie nie sú vždy merané voči zemniacej hodnote.

Poznámky: 1. Veľkosť vodiča musí spĺňať platné miestne a vnútroštátne predpisy.

2. Spojovacie káble vnútornej jednotky/vonkajšej jednotky nesmú byť ľahšie ako ohybný kábel s polychloroprénovým plášťom (dizajn 60245 IEC 57).

Sieťové káble vnútornej jednotky nesmú byť ľahšie ako ohybný kábel s polychloroprénovým plášťom (dizajn 60227 IEC 53).

3. Nainštalujte zem dlhšiu ako ostatné káble.

4. Ponechajte dostatočný výstupný výkon napájania pre každý ohrievač. Nedostatočný napájací výkon môže spôsobiť klepanie.

5 Nastavenie systému

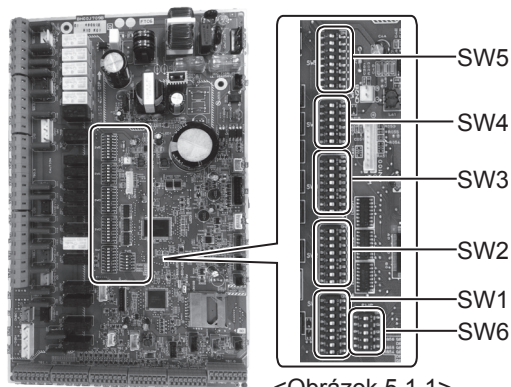
5.1 Funkcie DIP spínača

Číslo DIP spínača je vytlačené na doske plošných spojov vedľa príslušných spínačov. Slovo ON (Zapnuté), je vytlačené na doske plošných spojov a na samotnom bloku DIP spínača. Na presunutie spínača budete musieť použiť kolík alebo roh tenkého kovového pravítka alebo pod.

Nastavenia DIP spínača sú uvedené nižšie v tabuľke 5.1.1.

Nastavenia DIP spínača smie meniť len autorizovaný inštalatér na vlastnú zodpovednosť podľa montážnych podmienok.

Pred zmenou nastavení spínača vypnite napájanie vnútornej jednotky, ako aj vonkajšej jednotky.



<Obrázok 5.1.1>

DIP spínač	Funkcia	VYP.	ZAP.	Predvolené nastavenia: Model vnútornej jednotky			
SW1	SW1-1 Bojler	BEZ bojlera	S bojlerom	VYP.			
	SW1-2 Maximálna výstupná teplota vody tepelného čerpadla	55 °C	60 °C	ZAP *1			
	SW1-3 Zásobník TÚV	BEZ zásobníka TÚV	SO zásobníkom TÚV	VYP.			
	SW1-4 Ponomý ohrievač	BEZ ponomého ohrievača	S ponomým ohrievačom	VYP.			
	SW1-5 Prídavný ohrievač	BEZ prídavného ohrievača	S prídavným ohrievačom	VYP: E***-MED ZAP: E***-M2/6/9*D			
	SW1-6 Funkcia prídavného ohrievača	Len pre vykurovanie	Pre vykurovanie a TÚV	VYP: E***-MED ZAP: E***-M2/6/9*D			
	SW1-7 Typ vonkajšej jednotky	Typ Split	Zapuzdrený typ	VYP: Okrem EHPX-*M**D ZAP: EHPX-*M**D			
	SW1-8 Bezdrôtový diaľkový ovládač	BEZ bezdrôtového diaľkového ovládača	S bezdrôtovým diaľkovým ovládačom	VYP.			
SW2	SW2-1 Zmena logiky vstupu (IN1) termostatu1 miestnosti	Zóna1 zastavenie prevádzky pri termostate nakrátko	Zóna1 zastavenie prevádzky pri otvorenom termostate	VYP.			
	SW2-2 Zmena logiky vstupu (IN2) spínača prietoku1	Rozpoznaná porucha pri krátkych	Rozpoznaná porucha pri otvorení	VYP.			
	SW2-3 Obmedzenie výkonu prídavného ohrievača	Neaktívny	Aktívny	VYP: Okrem E***-VM2D ZAP: E***-VM2D			
	SW2-4 Funkcia režimu chladenia	Neaktívny	Aktívny	VYP: Okrem ERS*-*M**D ZAP: ERS*-*M**D			
	SW2-5 Automatický spínač na záložnú prevádzku zdroja tepla (keď sa vonkajšia jednotka zastaví v dôsledku chyby)	Neaktívny	Aktívny *2	VYP.			
	SW2-6 Zmiešavací zásobník	BEZ zmiešavacieho zásobníka	SO zmiešavacím zásobníkom	VYP.			
	SW2-7 2-zónová regulácia teploty	Neaktívny	Aktívny *6	VYP.			
	SW2-8 Snímač prietoku	BEZ snímača prietoku	SO snímačom prietoku	ZAP.			
SW3	SW3-1 Zmena logiky vstupu termostatu 2 miestnosti	Zóna2 zastavenie prevádzky pri termostate nakrátko	Zóna2 zastavenie prevádzky pri otvorenom termostate	VYP.			
	SW3-2 Zmena logiky vstupu prietok. spínača 2 a 3	Rozpoznaná porucha pri krátkych	Rozpoznaná porucha pri otvorení	VYP.			
	SW3-3	—	—	VYP.			
	SW3-4 Elektromer	BEZ elektromera	S elektromerom	VYP.			
	SW3-5 Funkcia vykurovacieho režimu *3	Neaktívny	Aktívny	ZAP.			
	SW3-6 2-zónová regulácia ZAP./VYP. ventilu	Neaktívny	Aktívny	VYP.			
	SW3-7 Výmenník tepla pre TÚV	Cievka v zásobníku	Externá doska HEX	VYP.			
	SW3-8 Merač tepla	BEZ merača tepla	S meračom tepla	VYP.			
SW4	SW4-1 Riadenie viacerých vonkajších jednotiek	Neaktívny	Aktívny	VYP.			
	SW4-2 Poloha pre riadenie viacerých vonkajších jednotiek *7	Slave	Master	VYP.			
	SW4-3	—	—	VYP.			
	SW4-4 Prevádzka len s vnútornou jednotkou (počas inštalračných prác) *4	Neaktívny	Aktívny	VYP.			
	SW4-5 Núdzový režim (len prevádzka ohrievača)	Normálny	Núdzový režim (len prevádzka ohrievača)	VYP *5			
	SW4-6 Núdzový režim (prevádzka bojlera)	Normálny	Núdzový režim (prevádzka bojlera)	VYP *5			
SW5	SW5-1	—	—	VYP.			
	SW5-2 Rozšírené autom. prispôsobenie	Neaktívny	Aktívny	ZAP.			
	SW5-3	Kód výkonu					
	SW5-4		SW5-3	SW5-4	SW5-5	SW5-6	SW5-7
	SW5-5	E*SC-*M**D	ZAP.	ZAP.	ZAP.	ZAP.	VYP.
	SW5-6	E*SD-*M**D	ZAP.	VYP.	VYP.	ZAP.	VYP.
	SW5-7	E*SE-*M*ED	VYP.	ZAP.	ZAP.	VYP.	ZAP.
	SW5-8	EHPX-*M**D	VYP.	VYP.	VYP.	VYP.	VYP.
SW6	SW6-1	—	—	VYP.			
	SW6-2	—	—	VYP.			
	SW6-3 Snímač tlaku	Neaktívny	Aktívny	VYP: Okrem E*SD-*M**D ZAP: E*SD-*M**D			
	SW6-4 Analógový výstup	Neaktívny	Aktívny	VYP.			
	SW6-5	—	—	VYP.			

<Tabuľka 5.1.1>

Poznámka:

*1. Keď je hydrobox pripojený k vonkajšej jednotke PUMY-P, ktorej maximálna výstupná teplota vody je 55 °C, musí sa DIP SW1-2 zmeniť na VYPNUTÝ.

*2. OUT11 bude k dispozícii. Z dôvodu bezpečnosti nie je táto funkcia k dispozícii pre určité chyby. (V tomto prípade sa musí prevádzka systému zastaviť a zostane bežať len vodné obehové čerpadlo.)

*3. Táto funkcia funguje len vtedy, keď je hydrobox pripojený k vonkajšej jednotke PUHZ-FRP. Ak je pripojený iný typ vonkajšej jednotky, je funkcia vykurovacieho režimu aktívna bez ohľadu na to, či je tento spínač ZAPNUTÝ alebo VYPNUTÝ.

*4. Vykurovanie priestoru a TÚV sa môže používať len vo vnútornej jednotke, ako elektrický ohrievač. (pozri „5.4 Prevádzka len s vnútornou jednotkou“.)

*5. Ak núdzový režim nie je viac potrebný, vráťte spínač do polohy VYP.

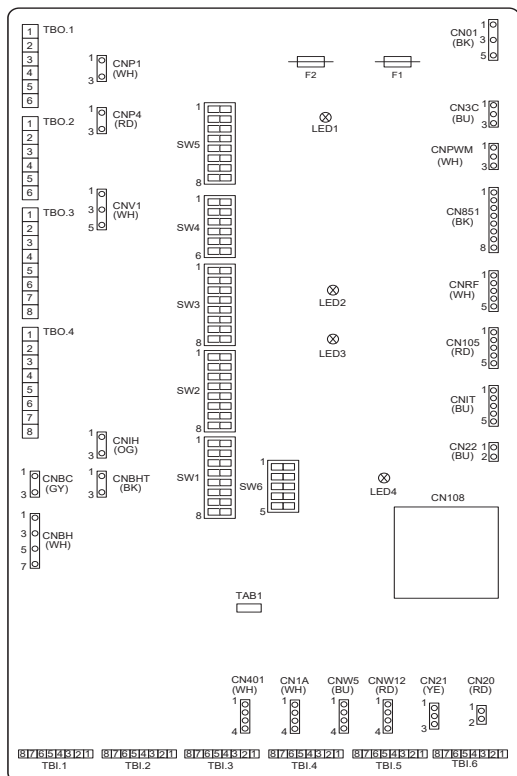
*6. Aktívne len vtedy, keď je SW3-6 nastavený na VYP.

*7. Aktívne len vtedy, keď je SW4-1 nastavený na ZAP.

sk

5 Nastavenie systému

5.2 Pripájanie vstupov/výstupov



<Obrázok 5.2.1>

Špecifikácie vodičov a lokálne náhradné súčiastky

Položka	Názov	Model a špecifikácie
Funkcia vstupu signálu	Vedenie vstupu signálu	Použite vodič alebo kábel s vinylovým plášťom. Max. 30 m Typ vodiča: CV, CVS alebo ekvivalentný Veľkosť vodiča: lanko 0,13 mm ² až 0,52 mm ² Plný drôt: ø0,4 mm až ø0,8 mm
	Spínač	Beznapätové signály kontaktu „a“ Diaľkový spínač: minimálne použiteľné zaťaženie 12 V DC, 1 mA

Poznámka:

Lanko sa musí vybaviť izolovanou koncovkou (DIN46228-4 štandardný kompatibilný typ).

■ Signálne vstupy

Názov	Radová svorkovnica	Prípojka	Položka	VYP. (otvorený)	ZAP. (krátky)
IN1	TBI.1 7-8	—	Vstup termostatu miestnosti 1 *1	Pozri SW2-1 v <5.1 Funkcie DIP spínača>.	
IN2	TBI.1 5-6	—	Vstup prietok. spínača 1	Pozri SW2-2 v <5.1 Funkcie DIP spínača>.	
IN3	TBI.1 3-4	—	Vstup prietok. spínača 2 (Zóna1)	Pozri SW3-2 v <5.1 Funkcie DIP spínača>.	
IN4	TBI.1 1-2	—	Vstup pre vyžiadanie kontroly	Normálny	Zdroj tepla VYP./prevádzka bojlera *3
IN5	TBI.2 7-8	—	Vstup vonkajšieho termostatu *2	Štandardná prevádzka	Prevádzka ohrievača/prevádzka bojlera *3
IN6	TBI.2 5-6	—	Vstup termostatu miestnosti 2 *1	Pozri SW3-1 v <5.1 Funkcie DIP spínača>.	
IN7	TBI.2 3-4	—	Vstup prietok. spínača 3 (Zóna2)	Pozri SW3-2 v <5.1 Funkcie DIP spínača>.	
IN8	TBI.3 7-8	—	Elektromer 1		
IN9	TBI.3 5-6	—	Elektromer 2	*4	
IN10	TBI.2 1-2	—	Merač tepla		
IN11	TBI.3 3-4	—	Vstup Pripravené pre inteligentné siete	*5	
IN12	TBI.3 1-2	—			
INA1	TBI.4 1-3	CN1A	Snímač prietoku	—	—

*1. Nastavte ZAP./VYP. doby cyklu termostatu miestnosti na 10 minút alebo viac; v opačnom prípade sa môže kompresor poškodiť.

*2. Pri použití vonkajšieho termostatu na kontrolu prevádzky ohrievačov sa môže znížiť životnosť ohrievačov a príslušných súčiastok.

*3. Na zapnutie prevádzky bojlera použite hlavný diaľkový ovládač na výber možnosti „Boiler“ (Bojler) na obrazovke „External input setting“ (Nastavenia externého vstupu) v servisnom menu.

*4. Pripojiteľný elektromer a merač tepla

- Typ impulzu Beznapätový kontakt pre detekciu 12 V DC z FTC (TBI.2 1 pin, TBI.3 5 a 7 pinov má kladné napätie.)
- Trvanie impulzu Minimálna doba zapnutia: 40 ms
Minimálna doba vypnutia: 100 ms
- Možné jednotky impulzov 0,1 impulzov/kWh 1 impulzov/kWh 10 impulzov/kWh
100 impulzov/kWh 1000 impulzov/kWh

Tieto hodnoty je možné nastaviť pomocou hlavného diaľkového ovládača. (Pozrite si štruktúru menu v časti „Hlavný diaľkový ovládač“.)

*5. Pre informácie o Pripravené pre inteligentné siete pozri návod na webovej stránke.

■ Vstupy termistoru

Názov	Radová svorkovnica	Prípojka	Položka	Model voľiteľného dielu
TH1	—	CN20	Termistor (tepl. miestnosti) (voľiteľné)	PAC-SE41TS-E
TH2	—	CN21	Termistor (ref. teplota kvapaliny)	—
THW1	—	CNW12 1-2	Termistor (teplota vyk. vody)	—
THW2	—	CNW12 3-4	Termistor (teplota vody späť. toku)	—
THW5B	—	CNW5 3-4	Termistor (teplota vody zásobníka TÚV) (voľiteľné) *1	PAC-TH011TK2-E(5 m)/ PAC-TH011TKL2-E(30 m)
THW6	TBI.5 7-8	—	Termistor (Zóna1 teplota vyk. vody) (voľiteľné) *1	PAC-TH011-E
THW7	TBI.5 5-6	—	Termistor (Zóna1 teplota vody spätného toku) (voľiteľné) *1	PAC-TH011-E
THW8	TBI.5 3-4	—	Termistor (Zóna2 teplota vyk. vody) (voľiteľné) *1	PAC-TH011-E
THW9	TBI.5 1-2	—	Termistor (Zóna2 teplota vody spätného toku) (voľiteľné) *1	PAC-TH011-E
THW10	TBI.6 5-6	—	Termistor (teplota vody zmieš. zásobníka)(možnosť*1) *1	PAC-TH012HT-E(5 m)/ PAC-TH012HTL-E(30 m)
THWB1	TBI.6 7-8	—	Termistor (bojler teplota vyk. vody) (voľiteľné) *1	PAC-TH012HT-E(5 m)/ PAC-TH012HTL-E(30 m)

Zabezpečte, aby sa pripojili vodiče termistora mimo napájacieho vedenia a/vodičom OUT1 až 16.

*1. Maximálna dĺžka vodiča termistora je 30 m. Ak sú vodiče zapojené k susedným koncovkám, použite káblové očka a odizolujte vodiče.

Dĺžka voľiteľných termistorov je 5 m. Ak potrebujete spojiť a predĺžiť vodiče, musia sa vykonať nasledujúce kroky.

- 1) Spájkovaním spojte vodiče.
- 2) Odizolujte každý spojovací bod proti prachu a vode.

5 Nastavenie systému

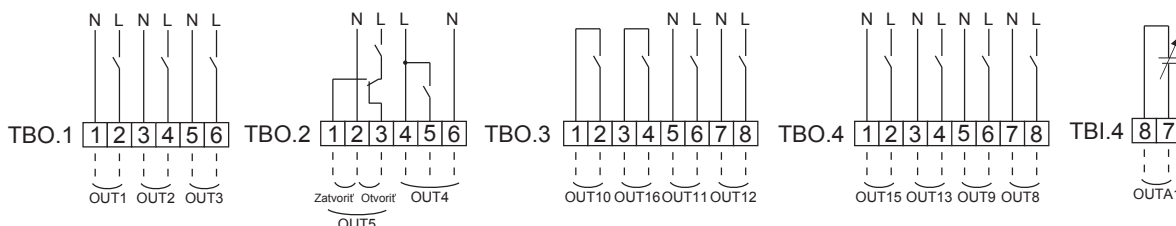
■ Výstupy

Názov	Radová svorkovnica	Prípojka	Položka	VYP.	ZAP.	Signál/max. prúd	Max. celkový prúd
OUT1	TBO.1 1-2	CNP1	Výstup vodného obehového čerpadla 1 (vykurovanie/chladenie priestoru a TÚV)	VYP.	ZAP.	230 V AC 1,0 A max. (nárazový prúd 40 A max.)	4,0 A (a)
OUT2	TBO.1 3-4	—	Výstup vodného obehového čerpadla 2 (vykurovanie/chladenie priestoru pre Zónu1)	VYP.	ZAP.	230 V AC 1,0 A max. (nárazový prúd 40 A max.)	
OUT3	TBO.1 5-6	—	Výstup vodného obehového čerpadla 3 (vykurovanie/chladenie priestoru pre Zónu2) *1 Výstup 2-cestného ventilu 2b *2	VYP.	ZAP.	230 V AC 1,0 A max. (nárazový prúd 40 A max.)	
OUT14	—	CNP4	Výstup vodného obehového čerpadla 4 (TÚV)	VYP.	ZAP.	230 V AC 1,0 A max. (nárazový prúd 40 A max.)	
OUT4	TBO.2 4-6	CNV1	Výstup 3-cestného ventilu (2-cestný ventil 1)	Vykurovanie	TÚV	230 V AC 0,1 A max.	3,0 A (b)
	—	CN851	Výstup 3-cestného ventilu				
OUT5	TBO.2 1-2	—	Výstup zmiešavacieho ventilu *1	Stop	Zatvoriť	230 V AC 0,1 A max.	
	TBO.2 2-3				Otvoriť		
OUT6	—	CNBH 1-3	Výstup ponorného ohrievača 1	VYP.	ZAP.	230 V AC 0,5 A max. (relé)	
OUT7	—	CNBH 5-7	Výstup ponorného ohrievača 2	VYP.	ZAP.	230 V AC 0,5 A max. (relé)	
OUT8	TBO.4 7-8	—	Výstup signálu chladenia	VYP.	ZAP.	230 V AC 0,5 A max.	
OUT9	TBO.4 5-6	CNIH	Výstup ponorného ohrievača	VYP.	ZAP.	230 V AC 0,5 A max. (relé)	
OUT11	TBO.3 5-6	—	Chybový výstup	Normálny	Chyba	230 V AC 0,5 A max.	
OUT12	TBO.3 7-8	—	Výstup odmrazovania	Normálny	Odmrazovanie	230 V AC 0,5 A max.	
OUT13	TBO.4 3-4	—	Výstup 2-cestného ventilu 2a *2	VYP.	ZAP.	230 V AC 0,5 A max.	
OUT15	TBO.4 1-2	—	Signál poč. ZAP.	VYP.	ZAP.	230 V AC 0,5 A max.	
OUT10	TBO.3 1-2	—	Výstup bojlera	VYP.	ZAP.	beznapäťový kontakt · 220 - 240 V AC (30 V DC) · 0,5 A alebo menej · 10 mA 5 V DC alebo viac	—
OUT16	TBO.3 3-4	—	Vykurovanie/Chladenie termo ZAP. signál	VYP.	ZAP.		
OUTA1	TBI.4 7-8	—	Analogový výstup	0 V-10 V		0 - 10 V DC 5 mA max.	—

Nepripájajte na koncovky označené ako „—“ v poli „Terminal block“ (Radová svorkovnica).

*1 Pre 2-zónovú reguláciu teploty.

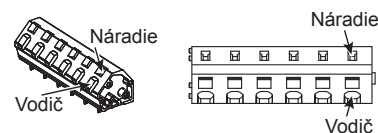
*2 Pre 2-zónovú reguláciu ZAP./VYP. ventilu.



Špecifikácie vodičov a lokálne náhradné súčiastky

Položka	Názov	Model a špecifikácie
Funkcia externého výstupu	Výstupné vodiče	Použite vodič alebo kábel s vinylovým plášťom. Max. 30 m Typ vodiča: CV, CVS alebo ekvivalentný Veľkosť vodiča: lanko 0,25 mm ² až 1,5 mm ² Plný drôt: 0,25 mm ² až 1,5 mm ²

Použitie TBO.1 až 4



Pripojte ich ľubovoľne podľa obrázka vyššie.
<Obrázok 5.2.2>

Poznámka:

- Keď je hydrobox napájaný cez vonkajšiu jednotku, je maximálny celkový prúd (a)+(b) 3,0 A.
- Nepripájajte viaceré vodné obehové čerpadlá priamo ku každému výstupu (OUT1, OUT2 a OUT3). V takomto prípade ich pripojte cez (a) relé.
- Nepripájajte súčasne vodné obehové čerpadlá na TBO.1 1-2 a CNP1.
- Pripojte vhodnú prepäťovú ochranu ku OUT10 (TBO.3 1-2) v závislosti od zaťaženia na mieste.
- Lanko sa musí vybaviť izolovanou koncovkou (typ kompatibilný s normou DIN46228-4).
- Rovnako ako vedenie vstupu signálu pre zapojenie OUTA1.

5.3 Vodiče pre 2-zónovú reguláciu teploty

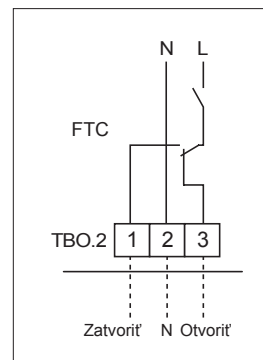
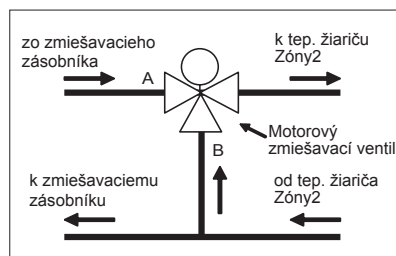
Pripojte potrubie a lokálne dodané súčiastky podľa príslušnej schémy okruhu „Lokálny systém“ zobrazenej v časti 3 tohto návodu.

<Zmiešavací ventil>

Pripojte signálne vedenie ku otvorenému otvoru A (vstupný otvor teplej vody) ku TBO. 2-3 (Otvoriť) signálne vedenie ku otvorenému otvoru B (vstupný otvor studenej vody) ku TBO. 2-1 (Zatvoriť) a vodič nulovej svorky ku TBO. 2-2 (N).

<Termistor>

- Neinštalujte termistory na zmiešavací zásobník.
 - Nainštalujte termistor vyk. vody Zóny 2 (THW8) blízko zmiešavacieho ventilu.
 - Maximálna dĺžka vodiča termistora je 30 m.
 - Dĺžka voliteľných termistorov je 5 m. Ak potrebujete spojiť a predĺžiť vodiče, musia sa vykonať nasledujúce kroky.
- 1) Spájkovaním spojte vodiče.
 - 2) Odizolujte každý spojovací bod proti prachu a vode.



5 Nastavenie systému

5.4 Prevádzka len s vnútornou jednotkou (počas inštalačných prác)

V prípade, ak je potrebná TUV alebo vykurovanie pred pripojením vonkajšej jednotky, napríklad počas inštalácie, môže sa použiť elektrický ohrievač vo vnútornej jednotke (*1).
*1 Len model s elektrickým ohrievačom.

1. Na spustenie prevádzky

- Skontrolujte, či je napájanie vnútornej jednotky VYPNUTÉ a ZAPNITE DIP spínač 4-4 a 4-5.
- Zapnite napájanie vnútornej jednotky.

2. Na ukončenie prevádzky *2

- Vypnite napájanie vnútornej jednotky.
- Vypnite DIP spínač 4-4 a 4-5.

*2 Keď sa skončí prevádzka len s vnútornou jednotkou, skontrolujte nastavenia po pripojení vonkajšej jednotky.

Poznámka:

Táto dlhotrvajúca prevádzka môže ovplyvniť životnosť elektrického ohrievača.

5.5 Použitie pamäťovej karty SD

Hydrobox je vybavený rozhraním na pamäťové karty SD v FTC.

Použitie pamäťovej karty SD môže zjednodušiť nastavenia hlavného diaľkového ovládača a môžu uložiť prevádzkové denníky. *1

*1 Na zmenu nastavení hlavného diaľkového ovládača alebo na kontrolu prevádzkových údajov je potrebný servisný nástroj Ecodan (pre použitie s počítačom).

<Opatrenia týkajúce sa manipulácie>

- (1) Použite pamäťovú kartu SD, ktorá spĺňa štandardy SD. Skontrolujte, či je na pamäťovej karte SD logo zobrazené napravo.
- (2) Pamäťové karty SD so štandardom SD zahŕňajú pamäťové karty SD, SDHC, miniSD, micro SD a microSDHC. Veľkosti sú k dispozícii až do 32 GB. Vyberte tú s maximálnou prípustnou teplotou 55 °C.
- (3) Ak je pamäťová karta SD kartou miniSD, miniSDHC, microSD alebo microSDHC, použite adaptér pre pamäťovú kartu SD.
- (4) Zapisovaním na pamäťovú kartu SD odistíte ochranu proti zapisovaniu.



- (5) Pred vložením alebo vysunutím pamäťovej karty SD vypnite systém. Ak sa pamäťová karta SD vloží alebo vysunie pri zapnutom systéme, uložené údaje sa môžu poškodiť alebo pamäťová karta sa môže poškodiť.
*Pamäťová karta SD je pod napätím krátku dobu po zapnutí napájania systému. Pred vložením alebo vysunutím počkajte, kým nezhasnú všetky diódy LED na ovládacom paneli FTC.
- (6) Čítanie a zapisovanie bolo overené použitím nasledujúcich pamäťových kariet SD, avšak, tieto operácie nie sú vždy garantované, pretože špecifikácie týchto pamäťových kariet SD sa môžu meniť.

(7) Dodržiavajte pokyny a požiadavky výrobcu pamäťovej karty SD.

(8) Ak je pamäťová karta SD nečitateľná v kroku (6), naformátujte ju. Tým je možné na kartu zapisovať.

Prevezmite si nástroj na formátovanie kariet SD na nasledujúcej stránke.

Domovská stránka asociácie SD: <https://www.sdcard.org/home/>

(9) FTC podporuje systém súborov FAT, avšak nie NTFS.

(10) Spoločnosť Mitsubishi Electric nezodpovedá za žiadne škody, ani čiastkové, vrátane zlyhania zapisovania na pamäťovú kartu SD a poškodenie a stratu uložených dát, a pod. V prípade potreby zálohujte uložené údaje.

(11) Nedotýkajte sa žiadnych elektronických súčiastok na ovládacej doske FTC pri vkladaní alebo vysúvaní pamäťovej karty SD. V opačnom prípade môže dôjsť ku poruche ovládacej dosky.

Logá		
Veľkosti		
2 GB až 32 GB *2		
Triedy rýchlostí SD		
Všetky		

- Logo SD je ochrannou známkou spoločnosti SD-3C, LLC.
- Logo miniSD je ochrannou známkou spoločnosti SD-3C, LLC.
- Logo microSD je ochrannou známkou spoločnosti SD-3C, LLC.

*2 Pamäťová karta SD s veľkosťou 2 GB dokáže uložiť až 30 dní prevádzkových denníkov.

Výrobca	Model	Otestované
Verbatim	#44015	Mar. 2012
SanDisk	SDSDB-002G-B35	Okt. 2011
Panasonic	RP-SDP04GE1K	Okt. 2011
Arvato	2GB PS8032 TSB 24nm MLC	Jún 2012
Arvato	2GB PS8035 TSB A19nm MLC	Júl 2014
SanDisk	SDSDUN-008G-G46	Okt. 2016
Verbatim	#43961	Okt. 2016
Verbatim	#44018	Okt. 2016
VANTASTEK	VSDHC08	Sep. 2017

Pred použitím novej pamäťovej karty SD (vrátane karty, ktorá sa dodáva spolu s jednotkou), vždy skontrolujte či ovládač FTC môže bezpečne čítať a zapisovať na pamäťovú kartu SD.

<Kontrola operácií čítania a zapisovania>

- a) Skontrolujte správne zapojenie napájania k systému. Pre ďalšie podrobnosti pozri odsek 4.4.
(V tomto okamihu nezapínajte napájanie systému.)
- b) Vložte pamäťovú kartu SD.
- c) Zapnite systém.
- d) Dióda LED4 svieti, ak bolo čítanie a zapisovanie úspešne dokončené.
Ak dióda LED4 bliká alebo nesvieti, nie je možné čítať z pamäťovej karty SD alebo nie je možné zapisovať do ovládača FTC.

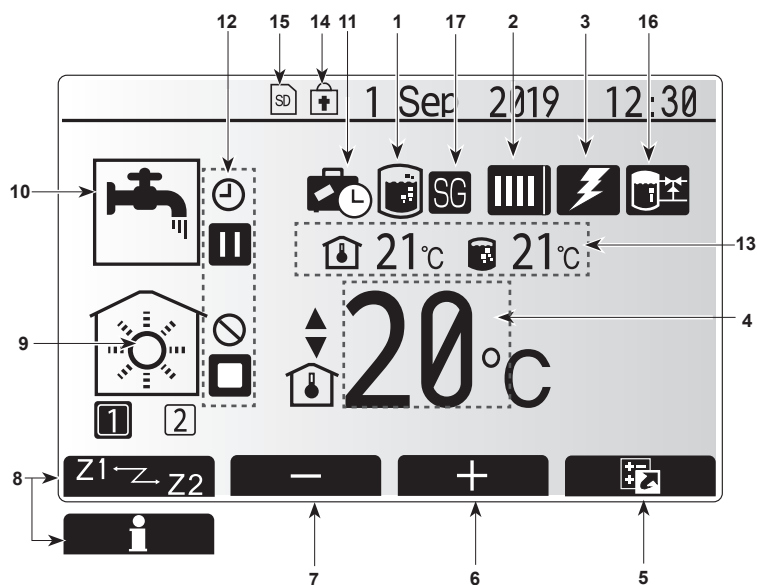
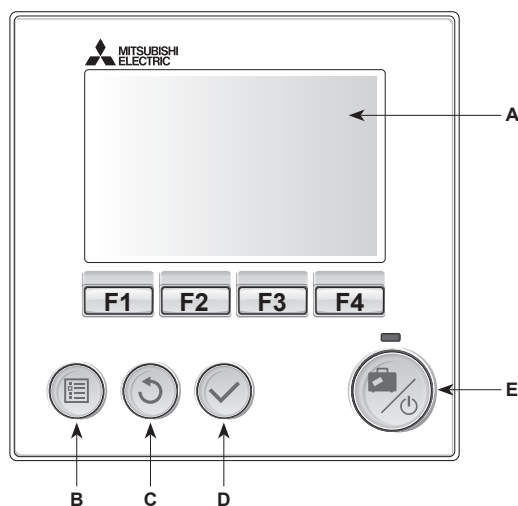
5 Nastavenie systému

5.6 Hlavný diaľkový ovládač

Ak chcete zmeniť nastavenia vykurovacieho/chladiaceho systému, použite hlavný diaľkový ovládač, ktorý sa nachádza na prednom paneli zásobníkovej jednotky alebo hydroboxu. Ďalej je uvedený návod na zobrazenie hlavných nastavení.

Ak potrebujete ďalšie informácie, obráťte sa na inštaláčného technika alebo na miestneho predajcu Mitsubishi Electric.

Režim Chladienie je k dispozícii len pre rad ERS. Režim Chladienie však nie je k dispozícii, keď je vnútorná jednotka pripojená k PUAZ-FRP.



Hlavná obrazovka

<Súčasťi hlavného diaľkového ovládača>

Pís-meno	Názov	Funkcia
A	Displej	Displej, na ktorom sa zobrazujú všetky informácie.
B	Menu	Pristup k nastaveniam systému pre počítačové nastavenie a úpravy.
C	Späť	Návrat do predchádzajúceho menu.
D	Potvrdiť	Slúži na výber alebo uloženie. (Tlačidlo Enter)
E	Vypínač/ Dovolenska	Ak je systém vypnutý, jedným stlačením ho ZAPNETE. Opätovným stlačením už pri zapnutom systéme aktivujete režim Dovolenska. Keď tlačidlo podržíte stlačené 3 sekundy, systém sa vypne. (*1)
F1-4	Funkčné tlačidlá	Slúžia na posúvanie sa v menu a upravenie nastavení. Funkcia je určená obrazkovou menu zobrazenou na displeji A.

*1

Keď je systém vypnutý alebo je elektrické napájanie odpojené, funkcie ochrany vnútornej jednotky (napr. funkcia ochrany proti zamrznutiu) NEFUNGUJÚ. Majte na pamäti, že ak nie sú aktivované tieto bezpečnostné funkcie, vnútorná jednotka môže byť potenciálne vystavená nebezpečenstvu poškodenia.

<Ikony na hlavnej obrazovke>

Ikona	Popis
1	Prevenca legionelly Keď je zobrazená táto ikona, je aktívny „Režim prevencie legionelly“.
2	Tepelné čerpadlo „Tepelné čerpadlo“ beží. Odmrazovanie Núdzové vykurovanie Je aktivovaný „Tichý režim“.
3	Elektrický ohrievač Keď je zobrazená táto ikona, používajú sa „Elektrické ohrievače“ (prídavný ohrievač alebo ponorný ohrievač).
4	Cieľová teplota Cieľová teplota vykurovacej vody Cieľová teplota miestnosti Kompenzačná krivka
5	MOŽNOSŤ Keď stlačíte funkčné tlačidlo pod touto ikonou, zobrazí sa obrazovka možností.
6	+ Zvýšenie požadovanej teploty.
7	- Zníženie požadovanej teploty.
8	Z1 Z2 Keď stlačíte funkčné tlačidlo pod touto ikonou, prepnete medzi Zónou1 a Zónou2. Informácie Keď stlačíte funkčné tlačidlo pod touto ikonou, zobrazí sa obrazovka s informáciami.
9	Režim vykurovania (chladienia) priestoru Režim Vykurovanie Zóna1 alebo Zóna2 Režim Chladienie Zóna1 alebo Zóna2
10	Režim TUV Normálny alebo EKO režim
11	Režim Dovolenska Keď je zobrazená táto ikona, je aktívny „Režim Dovolenska“.
12	Časovač Zakázané Ovládanie zo servera Pohotovostný režim Pohotovostný režim (*2) Stop Prevádzka
13	Aktuálna teplota Aktuálna teplota miestnosti Aktuálna teplota vody v zásobníku TUV
14	Tlačidlo Menu je zablokované alebo je na obrazovke Možnosti deaktivované prepínanie medzi prevádzkovým režimom TUV a Vykurovanie. (*3)
15	SD SD Vložená je pamäťová SD karta (NIE pre používateľa).
16	Riadenie vyrovnávacieho zásobníka Keď je zobrazená táto ikona, je aktívny „Buffer tank control“ (Riadenie vyrovnávacieho zásobníka).
17	Prípravené pre inteligentné siete Keď je zobrazená táto ikona, je „Prípravené pre inteligentné siete“ aktívny.

*2 Táto jednotka je v pohotovostnom režime, zatiaľ čo iná vnútorná jednotka(-y) je v prevádzke podľa priority.

*3 Ak chcete zamknúť alebo odomknúť Menu, stlačte súčasne na 3 sekundy tlačidlá SPÄŤ a POTVRDIŤ.

sk

5 Nastavenie systému

■ [Initial setting wizard] (Sprievodca počiatočnými nastaveniami)

Keď sa po prvýkrát zapne hlavný ovládací panel, obrazovka sa postupne automaticky prepne na obrazovku Nastavenie jazyka, obrazovku Dátum/čas a obrazovku Menu hlavných nastavení. Zadáajte požadované číslo použitím funkčných tlačidiel a stlačte tlačidlo [CONFIRM] (Potvrdiť).

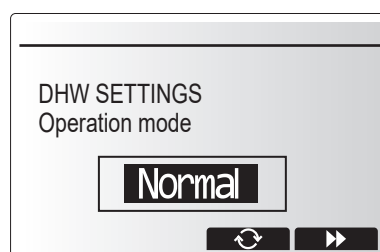
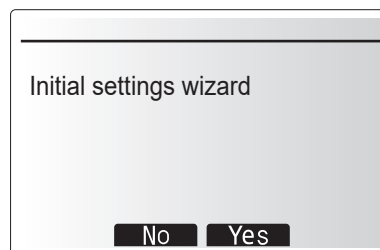
Poznámka:

<[HEATER CAPACITY RESTRICTION]> (Obmedzenie výkonu ohrievača)

Toto nastavenie obmedzuje výkon prídavného ohrievača. Po spustení NIE JE možné zmeniť nastavenie.

Ak nemáte žiadne špeciálne požiadavky (ako napríklad stavebné predpisy) vo vašej krajine, preskočte toto nastavenie (vyberte možnosť „No“ (Nie)).

- [Hot water (DHW/Legionella)] (Teplá voda (TÚV/Legionella))
- [Heating]/[Cooling] (Vykurovanie/Chladenie)
- [Operation (ON/Prohibited/Timer)] (Prevádzka (ZAP./Zakázané/Časovač))
- [Pump speed] (Otáčky čerpadla)
- [Heat pump flow rate range] (Rozsah prietok. rýchlosti tep. čerpadla)
- [Mixing valve control] (Regulácia zmiešavacieho ventilu)
- [HEATER CAPACITY RESTRICTION] (Obmedzenie výkonu ohrievača)



■ Menu hlavných nastavení

Prístup do menu hlavných nastavení je možný stlačením tlačidla MENU. Na zníženie rizika náhodných zmien nastavení vykonaných nezaškoleným koncovým používateľom sú k dispozícii dve prístupové úrovne k hlavným nastaveniam. Servisné menu je chránené heslom.

Úroveň používateľa – krátke stlačenie

Ak sa tlačidlo MENU krátko stlačí raz, zobrazia sa hlavné nastavenia, avšak bez funkcie úprav. To umožní používateľovi prezerat' aktuálne nastavenia, avšak **NIE** meniť parametre.

Úroveň inštalatéra – dlhé stlačenie

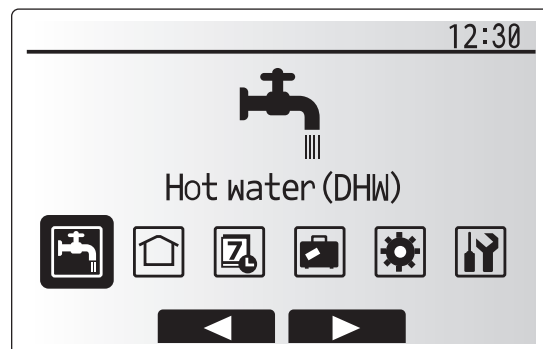
Ak sa tlačidlo MENU podrží stlačené po dobu 3 sekundy, zobrazia sa hlavné nastavenia so všetkými funkciami.

Farba tlačidiel ◀▶ je invertovaná, ako je zobrazené na obrázku vpravo.

<Obr. 5.6.1>

Je možné prezerat' a/alebo upravovat' nasledujúce položky (v závislosti od úrovne prístupu).

- [Domestic Hot water (DHW)] (TÚV v domácnosti)
- [Heating/Cooling] (Vykurovanie/Chladenie)
- [Schedule timer] (Plánovací časovač)
- [Holiday mode] (Režim Dovolenka)
- [Initial settings] (Počiatočné nastavenia)
- [Service (Password protected)] (Servis (Chránené heslom))



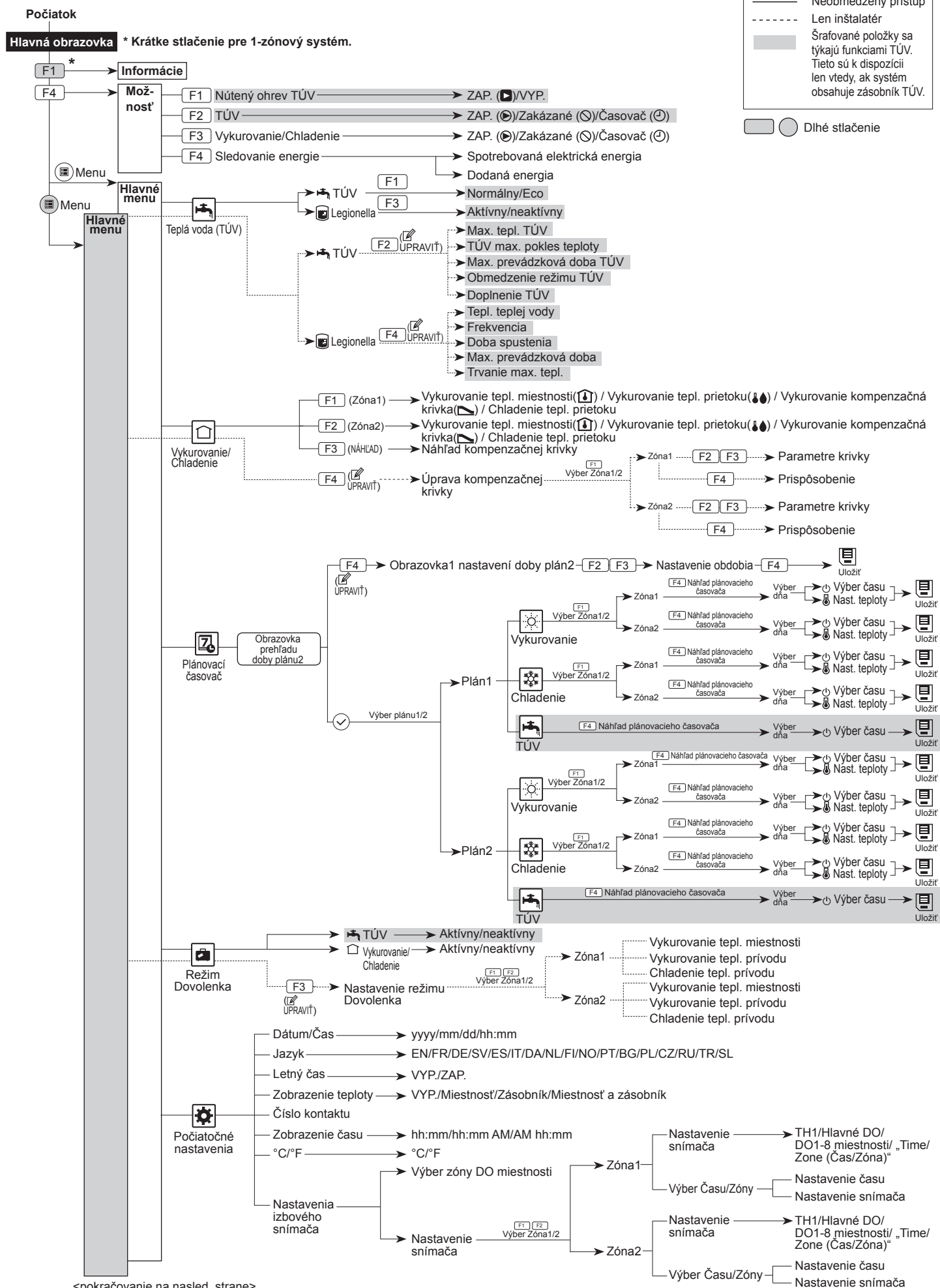
Hlavné menu



<Obr. 5.6.1>

5 Nastavenie systému

<Strom menu hlavného ovládača>



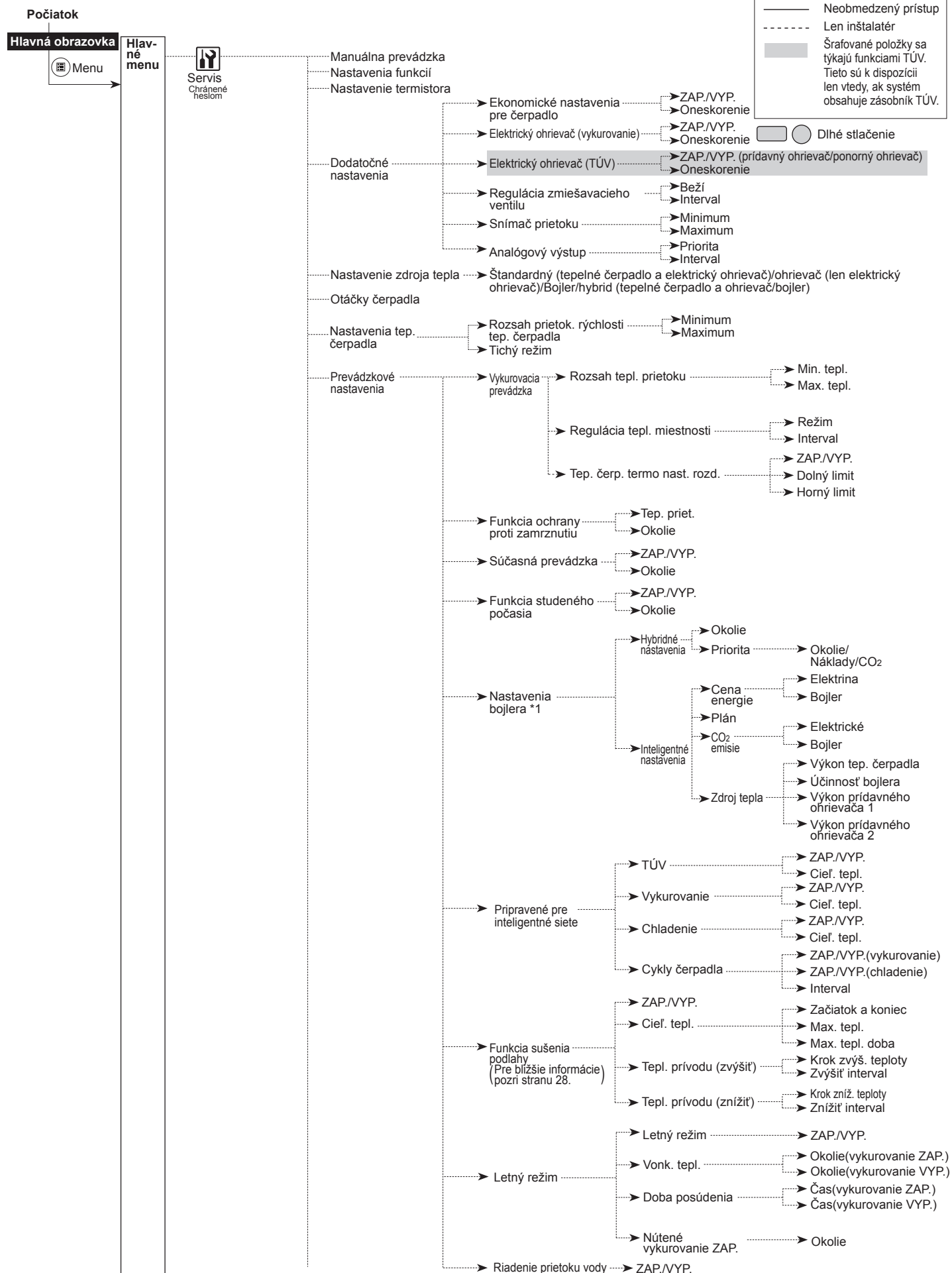
- Neobmedzený prístup
- Len inštalatér
- Šrafované položky sa týkajú funkciami TUV. Tieto sú k dispozícii len vtedy, ak systém obsahuje zásobník TUV.
- Dlhé stlačenie

<pokračovanie na nasled. strane>

5 Nastavenie systému

<pokračovanie z predch. strany>

<Strom menu hlavného ovládača>



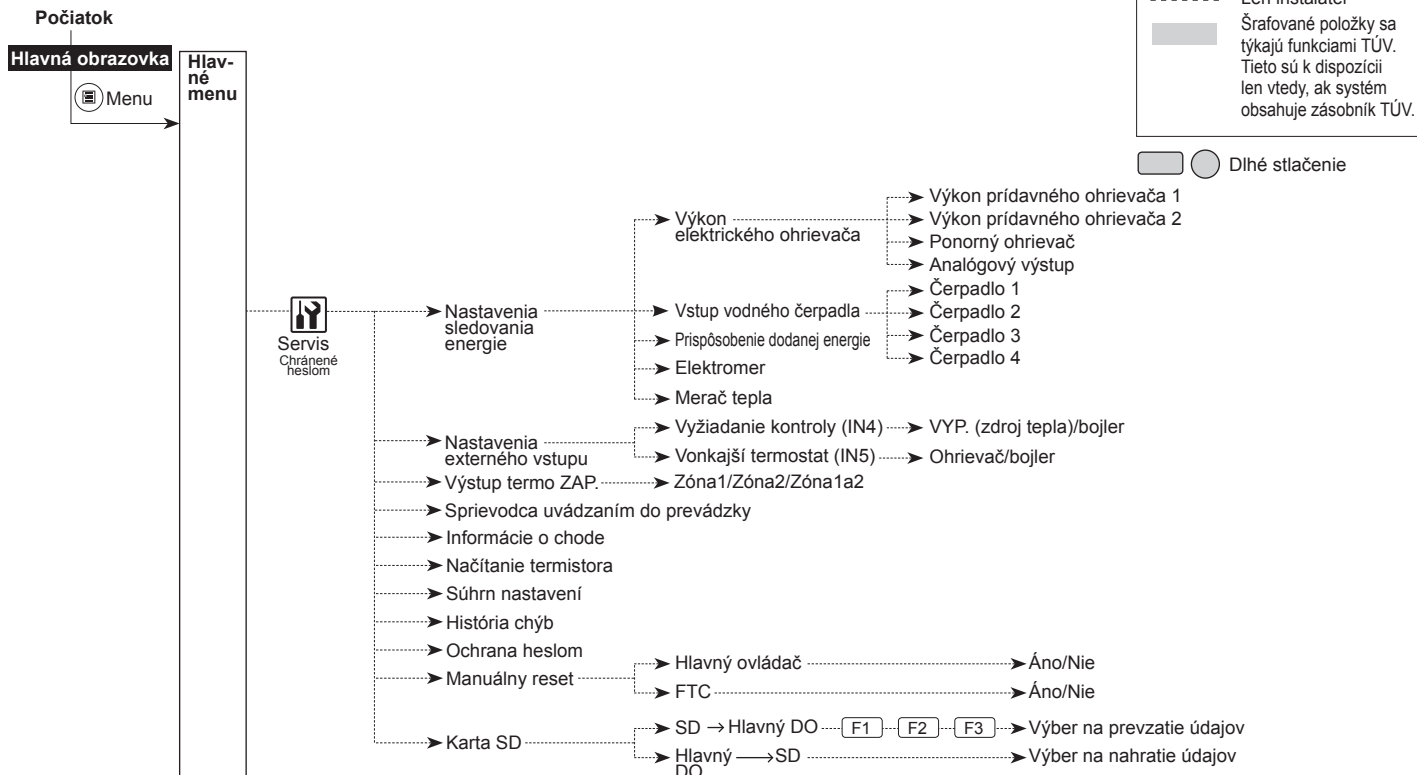
<pokračovanie na nasled. strane>

*1 Pre ďalšie podrobnosti pozri návod na montáž pre PAC-TH012HT(L)-E.

5 Nastavenie systému

<pokračovanie z predch. strany>

<Strom menu hlavného ovládača>

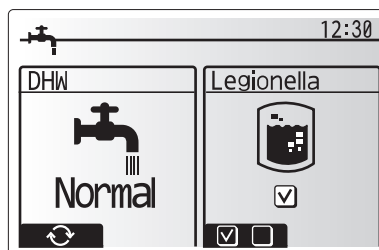


Teplá úžitková voda (TÚV)/prevencia legionelly

Menu teplej úžitkovej vody a prevencie legionelly ovláda ohrev zásobníka TÚV.

<Nastavenia režimu TÚV>

1. Vyberte ikonu teplej vody a stlačte tlačidlo [CONFIRM] (Potvrdiť).
2. Stlačte tlačidlo F1 na prepnutie medzi režimom vykurovania Normálny a ECO.
3. Na úpravu režimu stlačte tlačidlo MENU po dobu 3 sekúnd a následne vyberte možnosť „hot water“ (teplá voda).
4. Stlačte tlačidlo F2 na zobrazenie menu [HOTWATER (DHW) SETTING] (Teplá voda (TÚV)).
5. Používajte tlačidlá F2 a F3 na posúvanie v menu a na výber komponentu stlačte tlačidlo [CONFIRM] (Potvrdiť). Pozri tabuľku nižšie pre popis každého nastavenia.
6. Zadajte požadované číslo použitím funkčných tlačidiel a stlačte tlačidlo [CONFIRM] (Potvrdiť).



Podnadpis menu	Funkcia	Rozsah	Jednotka	Predvolená hodnota
Max. tepl. TÚV	Požadovaná teplota akumulovanej teplej vody	40 - 60	°C	50
TÚV max. pokles teploty	Rozdiel medzi Max. tepl. TÚV a teplotou, pri ktorej sa znovu spustí režim TÚV	5 - 30 *	°C	10
Max. prevádzková doba TÚV	Max. čas prípustný pre vykurovanie akumulovanej vody v režime TÚV	30 - 120	min	60
Obmedzenie režimu TÚV	Doba po režime TÚV, kedy má vykurovanie priestoru prednosť pred režimom TÚV, čím sa dočasne zabráňuje ďalšiemu ohrievaniu nahromadenej vody (Len vtedy, ak uplynula max. prevádzková doba TÚV.)	30 - 120	min	30

* Ak je max. teplota TÚV nastavená na viac ako 55°C, teplota, pri ktorej sa znovu spustí režim TÚV, musí byť menšia ako 50°C na ochranu zariadenia.

<Režim Eco>

Režim TÚV môže bežať buď v režime „Normálny“ alebo „Eco“. Normálny režim ohreje vodu v zásobníku TÚV rýchlejšie, pričom využíva plný výkon tepelného čerpadla. V režime Eco trvá o niečo dlhšie ohriať vodu v zásobníku TÚV, avšak zníži sa použitá energia. To preto, lebo prevádzka tepelného čerpadla je obmedzená použitím signálov z FTC na základe nameranej teploty zásobníka TÚV.

Poznámka: Skutočná ušetrená energia v režime Eco sa môže líšiť v závislosti od vonkajšej teploty.

<[Doplnenie TÚV]>

Vyberte množstvo v zásobníku TÚV. Ak potrebujete veľa teplej vody, vyberte možnosť [LARGE] (Veľa).

Prejdite späť do menu TÚV/Prevencia legionelly.

5 Nastavenie systému

Nastavenia režimu prevencie legionelly (režim LP)

1. Stlačením tlačidla F3 aktivujete režim prevencie legionelly [YES/NO] (Áno/ Nie).
2. Na úpravu funkcie legionelly tlačidlo MENU po dobu 3 sekúnd a vyberte možnosť „hot water“ (teplá voda), následne stlačte tlačidlo F4.
3. Používajte tlačidlá F1 a F2 na posúvanie v menu a na výber podtitulu stlačte tlačidlo [CONFIRM] (Potvrdiť). Pozri tabuľku nižšie pre popis každého nastavenia.
4. Zadať požadované číslo použitím funkčných tlačidiel a stlačte tlačidlo [CONFIRM] (Potvrdiť).

Počas režimu prevencie legionelly sa teplota nahromadenej vody zvýši nad 60°C na zabránenie rastu baktérií legionelly. Dôrazne sa odporúča vykonávať toto v pravidelných intervaloch. Skontrolujte miestne predpisy pre odporúčanú frekvenciu ohrevov.

Poznámka: Ak sa na hydroboxe vyskytnú poruchy, nemusí režim LP fungovať normálne.

Podnadpis menu	Funkcia	Rozsah	Jednotka	Predvolená hodnota
Tepl. teplej vody	Požad. teplota akumulovanej teplej vody	60–70	°C	65
Frekvencia	Doba medzi režimom LP a ohrevom zásobníka TUV	1–30	dní	15
Doba spustenia	Čas, kedy začne režim LP	0:00–23:00	-	03:00
Max. prevádzková doba	Maximálna doba prípustná pre režim LP vykurovanie zás. TUV	1–5	hodín	3
Trvanie max. tepl.	Bola dosiahnutá doba po požadovanej teplote vody v režime LP	1–120	min	30

Pamätajte, že režim LP využíva elektrické ohrievače na doplnenie príkonu tepelného čerpadla. Ohrievanie vody na dlhšiu dobu nie je efektívne a zvýši prevádzkové náklady. Inštalatér musí dôkladne zvážiť, či je potrebná prevencia legionelly, a aby sa dôkladne nemiňala energia pri dlhodobom vykurovaní nahromadenej vody. Koncový používateľ by mal rozumieť dôležitosť tejto funkcie.

VŽDY DODRŽIAVAJTE MIESTNE A VNÚTROŠTÁTNE PREDPISY VO VAŠEJ KRAJINE TÝKAJÚCE SA PREVENCIE LEGIONELLY.

[Initial Settings] (Počiatkové nastavenia)

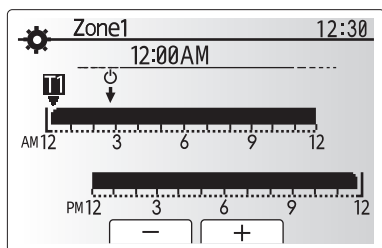
Z menu Počiatkové nastavenia môže inštalatér nastavovať nasledovné.

- [Date/Time] (Dátum/Čas) *Dbajte na to, aby ste ho nastavili na miestny štandardný čas.
- [Language] (Jazyk)
- [Summer time] (Letný čas)
- [Temp. display] (Zobrazenie teploty)
- [Contact number] (Číslo kontaktu)
- [Time display] (Zobrazenie času)
- [°C/°F]
- [Room sensor settings] (Nastavenia izbového snímača)

Postupujte podľa postupu uvedeného v časti Bežná prevádzka pre nastavovanie.

<[Room sensor settings]> (Nastavenia izbového snímača)

Pre nastavenia izbového snímača je dôležité vybrať správny izbový snímač v závislosti od režimu vykurovania, v ktorom sa bude systém používať.



Obrazovka nastavení plánu času/zóny

Podnadpis menu	Popis																								
Výber zóny DO miestnosti	Keď je aktívna 2-zónová regulácia teploty a sú k dispozícii bezdrôtové diaľkové ovládače, vyberte na obrazovke Výber zóny DO miestnosti číslo zóny, ktoré sa má priradiť každému hlavnému diaľkovému ovládaču.																								
Nastavenie snímača	Na obrazovke pre nastavenie snímača vyberte izbový snímač, ktorý sa má použiť na monitorovanie teploty miestnosti zo Zóny1 a Zóny2 samostatne. <table border="1" data-bbox="957 1153 1484 1478"> <thead> <tr> <th>Možnosť riadenia (Návod na webovej stránke)</th> <th>Príslušné počiatkové nastavenia izbového snímača</th> <th>Zóna1</th> <th>Zóna2</th> </tr> </thead> <tbody> <tr> <td>A</td> <td>DO miestnosti 1-8 (jeden pre Zónu1 a Zónu2)</td> <td></td> <td>*1</td> </tr> <tr> <td>B</td> <td>TH1</td> <td></td> <td>*1</td> </tr> <tr> <td>C</td> <td>Hlavný diaľkový ovládač</td> <td></td> <td>*1</td> </tr> <tr> <td>D</td> <td>*1</td> <td></td> <td>*1</td> </tr> <tr> <td>Keď sa použijú rôzne izbové snímače podľa časového plánu</td> <td>Čas/Zóna*2</td> <td></td> <td>*1</td> </tr> </tbody> </table>	Možnosť riadenia (Návod na webovej stránke)	Príslušné počiatkové nastavenia izbového snímača	Zóna1	Zóna2	A	DO miestnosti 1-8 (jeden pre Zónu1 a Zónu2)		*1	B	TH1		*1	C	Hlavný diaľkový ovládač		*1	D	*1		*1	Keď sa použijú rôzne izbové snímače podľa časového plánu	Čas/Zóna*2		*1
Možnosť riadenia (Návod na webovej stránke)	Príslušné počiatkové nastavenia izbového snímača	Zóna1	Zóna2																						
A	DO miestnosti 1-8 (jeden pre Zónu1 a Zónu2)		*1																						
B	TH1		*1																						
C	Hlavný diaľkový ovládač		*1																						
D	*1		*1																						
Keď sa použijú rôzne izbové snímače podľa časového plánu	Čas/Zóna*2		*1																						
	*1. Nie je uvedené (ak sa používa lokálne dodaný termostat miestnosti) DO 1-8 miestnosti (jeden pre Zónu1 a Zónu2) (ak sa ako termostat miestnosti používa bezdrôtový diaľkový ovládač)																								
	*2. Z obrazovky s nastaveniami snímača vyberte možnosť Time/ Zone (Čas/Zóna), aby bolo možné použiť rôzne izbové snímače podľa časového plánu nastaveného v menu Select Time/ Zone (Výber Času/Zóny). Izbové snímače je možné zapnúť až 4-krát v rámci 24 hodín.																								

5 Nastavenie systému

Menu [Service] (Servis)

Servisné menu poskytuje funkcie pre použitie inštalátrom alebo servisným technikom. Majiteľ by NEMAL meniť nastavenia v tomto menu. Z tohto dôvodu je potrebná ochrana heslom na zabránenie nepovolanému prístupu k servisným nastaveniam.

Predvolené heslo z výroby je „0000“.

Postupujte podľa postupu uvedeného v časti Bežná prevádzka pre nastavovanie.

Mnohé nastavenia nie je možné nastaviť, pokiaľ je vnútorná jednotka spustená. Pred nastavením týchto funkcií musí inštalátor vypnúť jednotku. Ak sa inštalátor pokúsi zmeniť nastavenia pri spustenej jednotke, zobrazí sa na hlavnom diaľkovom ovládači upozornenie s výzvou pre inštalátora na zastavenie prevádzky pred pokračovaním. Pri výbere možnosti „Yes“ (Áno), jednotka sa zastaví.

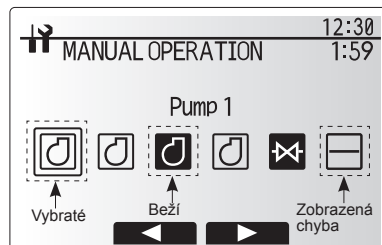
<[Manual operation]> (Manuálna prevádzka)

Počas plnenia systému je možné manuálne vyradiť obehové čerpadlo primárneho okruhu a 3-cestný ventil použitím manuálneho prevádzkového režimu.

Pri výbere manuálnej prevádzky sa na obrazovke zobrazí malá ikona časovača. Pri výbere zostane táto funkcia v manuálnej prevádzke maximálne 2 hodiny. Tým sa zabráni náhodnému permanentnému vyradeniu FTC.

► Príklad

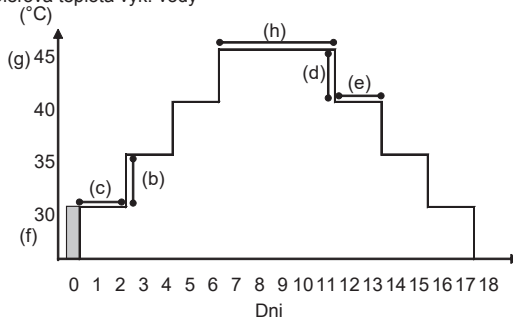
Stlačením tlačidla F3 za ZAPNE režim manuálnej prevádzky pre hlavný 3-cestný ventil. Po naplnení zásobníka TUV by mal inštalátor znovu prejsť do tohto menu a stlačiť tlačidlo F3 na deaktivovanie manuálnej prevádzky časti. Alternatívne sa manuálna prevádzka ukončí po 2 hodinách a FTC môže prebrať riadenie hydroboxu.



Obrazovka menu manuálnej prevádzky

Pokiaľ je systém spustený, nie je možné vybrať manuálnu prevádzku a nastavenia zdroja tepla. Zobrazí sa obrazovka s výzvou pre inštalátora na zastavenie systému, predtým než sa môžu aktivovať tieto režimy. Systém sa automaticky zastaví 2 hodiny po poslednej operácii.

Cieľová teplota vyk. vody



<[Floor dry up function]> (Funkcia sušenia podlahy)

Funkcia sušenia podlahy automaticky po etapách zmení cieľovú teplotu teplej vody na postupné vysušenie betónu, ak je nainštalovaný tento konkrétny typ systému podlahového vykurovania.

Po dokončení operácie systém zastaví všetky operácie okrem ochrany proti zamrznutiu.

Pre funkciu sušenia podlahy je cieľová teplota prietoku Zóny1 rovnaká ako teplota Zóny2.

- Táto funkcia nie je k dispozícii, keď je pripojená vonkajšia jednotka PUAZ-FRP.
- Odpojte vodiče k externým vstupom termostatu miestnosti, vyžiadajte kontrolu, a vonkajší termostat, alebo cieľová teplota prietoku sa nemusí zachovať.

Funkcie	Symbol	Popis	Možnosť/ rozsah	Jednotka	Predvolené	
Funkcia sušenia podlahy	a	ZAPNITE funkciu a zapnite systém pomocou hlavného diaľkového ovládača. Následne sa spustí sušenie podlahy.	Zap./Vyp.	—	Vyp.	
Tepl. prívodu (zvýšiť)	Krok zvýš. teploty prívodu	b	Nastaví krok zvýšenia cieľovej teploty prívodu.	+1 - +10	°C	+5
	Zvýšiť interval	c	Nastaví dobu, počas ktorej sa udržiava rovnaká cieľová teplota vykurovacej vody.	1 - 7	dní	2
Tepl. prívodu (znižit')	Krok zníž. teploty prívodu	d	Nastaví krok zníženia cieľovej teploty prívodu.	-1 - -10	°C	-5
	Znížiť interval	e	Nastaví dobu, počas ktorej sa udržiava rovnaká cieľová teplota vykurovacej vody.	1 - 7	dní	2
Cieľová teplota	Začiatok a koniec	f	Nastaví cieľovú teplotu vykurovacej vody na začiatku a konci prevádzky.	20 - 60	°C	30
	Max. cieľ. tepl.	g	Nastaví maximálnu cieľovú teplotu vykurovacej vody.	20 - 60	°C	45
	Max. tepl. doba	h	Nastaví dobu, počas ktorej sa udržiava maximálna cieľová teplota vykurovacej vody.	1 - 20	dní	5

<[Password protection]> (Ochrana heslom)

Ochrana heslom je k dispozícii na zabránenie nepovolanému prístupu do servisného menu nezaškolenými osobami.

Resetovanie hesla

Ak ste zabudli zadané heslo, alebo musíte vykonať servis jednotky nainštalovanej inou osobou, môžete obnoviť heslo na výrobné nastavenie na 0000.

1. Z menu hlavných nastavení sa posúvajte cez funkcie nadol, až kým sa zvýrazní Servisné menu.
2. Stlačte tlačidlo [CONFIRM] (Potvrdiť).
3. Zobrazí sa výzva na zadanie hesla.
4. Podržte súčasne stlačené tlačidlá F3 a F4 po dobu 3 sekúnd.
5. Zobrazí sa otázka, či chcete pokračovať a resetovať heslo na predvolené nastavenie.
6. Na resetovanie stlačte tlačidlo F3.
7. Heslo je teraz resetované na 0000.

<[Manual reset]> (Manuálny reset)

Ak chcete obnoviť výrobné nastavenia, môžete použiť funkciu manuálneho resetu. Dbajte na to, že tým sa resetujú VŠETKY funkcie na predvolené výrobné nastavenia.



Obrazovka na zadávanie hesla



Obrazovka na potvrdenie hesla

Kvalifikovaný personál musí vykonať údržbu hydroboxu v ročných intervaloch. Servis a údržbu vonkajšej jednotky musí vykonávať technik zaškolený spoločnosťou Mitsubishi Electric s príslušnou kvalifikáciou a skúsenosťami. Všetky elektrické práce musí vykonávať odborník s príslušnou

elektrotechnickou kvalifikáciou. Pri akejkolvek údržbe alebo svojvoľných zmenách vykonaných neautorizovanými osobami môžu zaniknúť záruka a/alebo môže dôjsť ku poškodeniu hydroboxu a zraneniam osôb.

■ Chybové kódy

Kód	Chyba	Akcia
L3	Ochrana proti prehriatiu obehovej vody	Prietoková rýchlosť sa môže znížiť. Skontrolujte ohľadne: <ul style="list-style-type: none"> • úniku vody • upchatia sitka • funkcie vodného obehového čerpadla (Chybový kód sa môže zobrazit' pri plnení primárneho okruhu, dokončite plnenie a resetujte chybový kód.)
L4	Ochrana proti prehriatiu vody v zásobníku TÚV	Skontrolujte ponorný ohrievač a jeho stýkač.
L5	Chyba tepelného termistora vnútornej jednotky (THW1, THW2, THW5B, THW6, THW7, THW8, THW9)	Skontrolujte odpor v rámci termistora.
L6	Ochrana proti zamrznutiu obehovej vody	Pozri akciu pre L3.
L8	Chyba vykurovania	Skontrolujte a znovu pripojte termistory, ktoré sa uvoľnili.
L9	Snímač prietoku alebo prietokový spínač rozpoznal nízku prietokovú rýchlosť v primárnom okruhu (prietokové spínače 1, 2, 3)	Pozri akciu pre L3. Ak nefunguje snímač prietoku alebo prietokový spínač, vymeňte ho. Upozornenie: Ventily čerpadla môžu byť horúce, dávajte pozor.
LA	Porucha snímača tlaku	Skontrolujte kábel snímača tlaku ohľadne poškodenia a uvoľnených prípojok.
LB	Ochrana proti vysokému tlaku	<ul style="list-style-type: none"> • Prietoková rýchlosť vykurovacieho okruhu sa môže znížiť. Skontrolujte vodný okruh. • Doskový výmenník tepla môže byť upchatý. Skontrolujte doskový výmenník tepla. • Porucha vonkajšej jednotky. Pozri návod na servis vonkajšej jednotky.
LC	Ochrana proti prehriatiu obehovej vody bojlera	Skontrolujte, či nastavovacia teplota bojlera pre vykurovanie prekračuje obmedzenie. (Pozri návod pre termistory „PAC-TH012HT-E“) Prietoková rýchlosť vykurovacieho okruhu z bojlera sa môže znížiť. Skontrolujte ohľadne <ul style="list-style-type: none"> • úniku vody • upchatia sitka • funkcie vodného obehového čerpadla
LD	Porucha tepelného termistora bojlera (THWB1)	Skontrolujte odpor v rámci termistora.
LE	Chyba prevádzky bojlera	Pozri akciu pre L8. Skontrolujte stav bojlera.
LF	Porucha snímača prietoku	Skontrolujte kábel snímača prietoku ohľadne poškodenia a uvoľnených prípojok.
LH	Ochrana proti zamrznutiu obehovej vody bojlera	Prietoková rýchlosť vykurovacieho okruhu z bojlera sa môže znížiť. Skontrolujte ohľadne <ul style="list-style-type: none"> • úniku vody • upchatia sitka • funkcie vodného obehového čerpadla
LJ	Chyba prevádzky TÚV (typ externej dosky HEX)	Skontrolujte odpojenie termistora pre teplotu vody zásobníka (THW5B). Prietoková rýchlosť sanitárneho okruhu sa môže znížiť. Skontrolujte funkciu vodného obehového čerpadla. (primárny/sanitárny)
LL	Chyba nastavenia DIP spínačov na ovládacom paneli FTC	Pre prevádzku bojlera skontrolujte, či je DIP SW1-1 nastavený na ZAPNUTÝ (s bojlerom) a DIP SW2-6 je nastavený na ZAPNUTÝ (so zmiešavacím zásobníkom). Pre 2-zónovú reguláciu teploty skontrolujte, či je DIP SW2-7 nastavený na ZAPNUTÝ (2-zónový) a DIP SW2-6 je nastavený na ZAPNUTÝ (so zmiešavacím zásobníkom).
LP	Mimo rozsahu prietokovej rýchlosti vody pre vonkajšie tepelné čerpadlo	Skontrolujte montážnu tabuľku 4.3.1 Skontrolujte nastavenia diaľkového ovládača (servisné menu/rozsah prietokovej rýchlosti tepelného čerpadla) Pozri akciu pre L3.
P1	Termistor (tepl. miestnosti) miestnosti (TH1)	Skontrolujte odpor v rámci termistora.
P2	Termistor (ref. teplota kvapaliny) miestnosti (TH2)	Skontrolujte odpor v rámci termistora.
P6	Protimrazová ochrana doskového výmenníka tepla	Pozri akciu pre L3. Skontrolujte správne množstvo chladiva.
J0	Chyba komunikácie medzi FTC a bezdrôtovým prijímačom	Skontrolujte pripojovací kábel ohľadne poškodenia a uvoľnených prípojok.
J1 - J8	Chyba komunikácie medzi bezdrôtovým prijímačom a bezdrôtovým diaľkovým ovládačom	Skontrolujte, či je vybitá batéria bezdrôtového diaľkového ovládača. Skontrolujte párovanie medzi bezdrôtovým prijímačom a bezdrôtovým diaľkovým ovládačom. Otestujte bezdrôtovú komunikáciu. (pozri návod pre bezdrôtový systém)
E0 - E5	Porucha komunikácie medzi hlavným diaľkovým ovládačom a FTC	Skontrolujte pripojovací kábel ohľadne poškodenia a uvoľnených prípojok.
E6 - EF	Chyba komunikácie medzi FTC a vonkajšou jednotkou	Skontrolujte, či vonkajšia jednotka nebola vypnutá. Skontrolujte pripojovací kábel ohľadne poškodenia a uvoľnených prípojok. Pozri návod na servis vonkajšej jednotky.
E9	Vonkajšia jednotka neprijíma žiadny signál z vnútornej jednotky.	Skontrolujte, či sú zapnuté obidve jednotky. Skontrolujte pripojovací kábel ohľadne poškodenia a uvoľnených prípojok. Pozri návod na servis vonkajšej jednotky.
EE	Chyba kombinácie FTC a vonkajšej jednotky	Skontrolujte kombináciu FTC a vonkajšiu jednotku.
U*, F*	Porucha vonkajšej jednotky	Pozri návod na servis vonkajšej jednotky.
A*	Chyba komunikácie M-NET	Pozri návod na servis vonkajšej jednotky.

Poznámka: Na zrušenie chybových kódov vypnite systém (stlačte tlačidlo F4 (RESET) na hlavnom diaľkovom ovládači).

6 Servis a údržba

Ročná údržba

Je dôležité, aby kvalifikovaný personál vykonal údržbu hydroboxu aspoň raz ročne. Potrebne súčiastky MUSIA byť zakúpené u spoločnosti Mitsubishi Electric (z dôvodu bezpečnosti). **NIKDY** nepremosťujte bezpečnostné zariadenia a neprevádzkujte jednotku, ktorá nie je úplne funkčná.

Poznámka

- Po dvoch mesiacoch od inštalácie odstráňte a vyčistite sitko hydroboxu a prídavné filtračné prvky, ktoré sú externe namontované v hydroboxe. Toto je mimoriadne dôležité pri inštalácii na starý/existujúci systém potrubia.
- Ventil PRV (č. 11 na obrázku 3.3 a 3.4) sa musí kontrolovať v ročných intervaloch manuálnym otočením gombíka tak, aby sa vypustilo médium a tým vyčistilo sedlo tesnenia.

Okrem ročnej údržby je potrebné vymeniť alebo skontrolovať niektoré súčiastky po určitej dobe prevádzky systému. Pozri tabuľky nižšie pre podrobné pokyny. Výmenu a inšpekciu súčiastok musí vždy vykonávať kompetentná osoba s príslušným zaškolením a kvalifikáciou.

Diely, ktoré sa musia pravidelne vymieňať

Diely	Výmena každých	Možné poruchy
Pretlakový ventil (3 bar) Vetrací otvor (autom./manuálny) Manometer	6 rokov	Únik vody

Diely, ktoré sa musia pravidelne kontrolovať

Diely	Kontrola každých	Možné poruchy
Pretlakový ventil (3 bar) Teplota a pretlakový ventil	1 rok (manuálne otáčanie gombíka)	PRV by sa zafixoval a expanzná nádrž by praskla
Ponorný ohrievač	2 roky	Zemné spojenie spôsobuje aktivovanie ističa (ohrievač je vždy VYPNUTÝ)
Vodné obehové čerpadlo (primárny okruh)	20 000 hod. (3 roky)	Porucha vodného obehového čerpadla

Diely, ktoré sa NESMÚ opätovne použiť pri servise

- * O-kružok
- * Tesnenie

Poznámka:

- Vždy vymieňajte tesnenie čerpadla za nové pri každej pravidelnej údržbe (každých 20 000 prevádzkových hodín alebo 3 roky).
- Nie je potrebné kontrolovať pretlakový ventil (5 bar), pretože neprichádza do kontaktu s vodou, pokiaľ nie je 3 bar PRV poškodený.

Formuláre pre technikov

Ak sa majú nastavenia zmeniť z predvolených nastavení, zadajte a zapíšte nové nastavenie v stĺpci „Prevádzkové nastavenie“. Toto uľahčí obnovenie nastavení v budúcnosti, ak sa zmení použitie systému, alebo ak sa musí vymeniť doska plošných spojov.

Záznamový list pre uvádzanie do prevádzky/prevádzkové nastavenia

Obrázovka hlavného diaľkového ovládača		Parametre	Predvolené nastavenie	Prevádzkové nastavenie	Poznámky	
Hlavné	Zóna1 vykurovanie tepl. miestnosti	10°C - 30°C	20°C			
	Zóna2 vykurovanie tepl. miestnosti *14	10°C - 30°C	20°C			
	Zóna1 vykurovanie tepl. prietoku	20°C - 60°C	45°C			
	Zóna2 vykurovanie tepl. prietoku *1	20°C - 60°C	35°C			
	Zóna1 chladenie tepl. prietoku *12	5°C - 25°C	15°C			
	Zóna2 chladenie tepl. prietoku *12	5°C - 25°C	20°C			
	Zóna1 vykurovanie kompenzačná krivka	-9°C - +9°C	0°C			
	Zóna2 vykurovanie kompenzačná krivka *1	-9°C - +9°C	0°C			
Možnosť	Režim Dovoľenka	Aktívny/neaktívny/nastaviť čas	—			
	Nútený ohrev TUV	Zap./Vyp.	—			
	TUV	Zap./Vyp./Časovač	Zap.			
	Vykurovanie/Chladenie	Zap./Vyp./Časovač	Zap.			
Nastavenie	Sledovanie energie		Spotrebovaná elektrická energia/dodaná energia	—		
	TUV *13	Prevádzkový režim	Normálny/Eco *16	Normálny		
		Max. tepl. TUV	40°C - 60°C *2	50°C		
		TUV pokles teploty	5°C - 30°C	10°C		
		Max. prevádzková doba TUV	30 - 120 min	60 min		
		Obmedzenie režimu TUV	30 - 120 min	30 min		
		Doplnenie TUV	Veľký/Štandardný	Veľký *19		
	Prevenca legionelly *13	Aktívny	Áno/Nie	Áno		
		Tepl. teplej vody	60°C - 70°C *2	65°C		
		Frekvencia	1 - 30 dní	15 dní		
		Doba spustenia	00.00 - 23.00	03.00		
		Max. prevádzková doba	1 - 5 hodín	3 hodiny		
		Trvanie maximálnej tepl.	1 - 120 min	30 min		
	Vykurovanie/Chladenie *12	Zóna1 prevádzkový režim	Vykurovanie tepl. miestnosti/ Vykurovanie tepl. prietoku/ Vykurovanie kompenzačná krivka/chladenie tepl. prietoku	Tepl. miestnosti		
		Zóna2 prevádzkový režim *1	Vykurovanie tepl. miestnosti/ Vykurovanie tepl. prietoku/ Vykurovanie kompenzačná krivka/chladenie tepl. prietoku	Kompenzačná krivka		
Kompenzačná krivka	Nast. hod. tepl. vysokého prietoku	Zóna1 vonk. okol. tepl.	-30°C - +33°C *3	-15°C		
		Zóna1 tepl. prietoku	20°C - 60°C	50°C		
		Zóna2 vonk. okol. tepl. *1	-30°C - +33°C *3	-15°C		
		Zóna2 tepl. prietoku *1	20°C - 60°C	40°C		
	Nast. hod. tepl. nízkeho prietoku	Zóna1 vonk. okol. tepl.	-28°C - +35°C *4	35°C		
		Zóna1 tepl. prietoku	20°C - 60°C	25°C		
		Zóna2 vonk. okol. tepl. *1	-28°C - +35°C *4	35°C		
		Zóna2 tepl. prietoku *1	20°C - 60°C	25°C		
	Prispôsobiť	Zóna1 vonk. okol. tepl.	-29°C - +34°C *5	—		
		Zóna1 tepl. prietoku	20°C - 60°C	—		
		Zóna2 vonk. okol. tepl. *1	-29°C - +34°C *5	—		
		Zóna2 tepl. prietoku *1	20°C - 60°C	—		
Sviatky	TUV *13		Aktívny/neaktívny	Neaktívny		
	Vykurovanie/Chladenie *12		Aktívny/neaktívny	Aktívny		
	Zóna1 vykurovanie tepl. miestnosti	10°C - 30°C	15°C			
	Zóna2 vykurovanie tepl. miestnosti *14	10°C - 30°C	15°C			
	Zóna1 vykurovanie tepl. prietoku	20°C - 60°C	35°C			
	Zóna2 vykurovanie tepl. prietoku *1	20°C - 60°C	25°C			
	Zóna1 chladenie tepl. prietoku *12	5°C - 25°C	25°C			
	Zóna2 chladenie tepl. prietoku *12	5°C - 25°C	25°C			

(pokračovanie na nasled. strane)

Formuláre pre technikov

Záznamový list pre uvádzanie do prevádzky/prevádzkové nastavenia

Obrázovka hlavného diaľkového ovládača			Parametre	Predvolené nastavenie	Prevádzkové nastavenie	Poznámky
Nastavenie	Počítačové nastavenia	Jazyk	EN/FR/DE/SV/ES/IT/DA/NL/FI/NO/PT/BG/PL/CZ/RU/TR/SL	EN		
		°C/°F	°C/°F	°C		
Letný čas		Zap./Vyp.	Vyp.			
Zobrazenie teploty		Miestnosť/Zásobník TÚV/Miestnosť a zásobník TÚV /Vyp.	Vyp.			
Zobrazenie času		hh:mm/hh:mm AM/AM hh:mm	hh:mm			
Nastavenia izbového snímača pre Zónu1		TH1/Hlavný DO/DO1-8 miestnosti/,Time/Zone (Čas/Zóna)	TH1			
Nastavenia izbového snímača pre Zónu2 *1		TH1/Hlavný DO/DO1-8 miestnosti/,Time/Zone (Čas/Zóna)	TH1			
Servisné menu	Nastavenie termistora	Výber zóny DO miestnosti *1	Zóna1/Zóna2	Zóna1		
		THW1	-10°C - +10°C	0°C		
THW2		-10°C - +10°C	0°C			
THW5B		-10°C - +10°C	0°C			
THW6		-10°C - +10°C	0°C			
THW7		-10°C - +10°C	0°C			
THW8		-10°C - +10°C	0°C			
THW9		-10°C - +10°C	0°C			
THW10		-10°C - +10°C	0°C			
THWB1		-10°C - +10°C	0°C			
Dodatočné nastavenia	Ekonomické nastavenia pre čerpadlo.	Zap./Vyp. *6	Oneskorenie (3 - 60 min)	10 min		
		Elektrický ohrievač (vykurovanie)	Vykurovanie priestoru: Zap. (použitý)/vyp. (nepoužitý)	Zap.		
	Elektrický ohrievač (TÚV) *13	Časovač oneskorenia elektrického ohrievača (5 - 180 min)	30 min			
		Pridavný ohrievač TÚV: Zap. (použitý)/vyp. (nepoužitý)	Zap.			
	Regulácia zmiešavacieho ventilu	Ponorný ohrievač TÚV: Zap. (použitý)/vyp. (nepoužitý)	Zap.			
		Časovač oneskorenia elektrického ohrievača (15 - 30 min)	15 min			
		Beží (10 - 240 s)	120 s			
Snímač prietoku *18	Interval (1 - 30 min)	2 min				
	Minimum (0 - 100 L/min)	5 L/min				
Analogový výstup	Maximum (0 - 100 L/min)	100 L/min				
	Interval (1 - 30 min)	5 min				
Otáčky čerpadla	Priorita (normálna/vysoká)	Normálna				
	TÚV	Otáčky čerpadla (1 - 5)	5			
Nastavenie zdroja tepla	Ykurovanie/Chladenie	Otáčky čerpadla (1 - 5)	5			
	Štandardný/Ohrievač/Boiler/Hybridný *7	Štandardný				
Nastavenie tep. čerpadla	Rozsah prietok. rýchlosti tep. čerpadla	Minimum (0 - 100 L/min)	5 L/min			
		Maximum (0 - 100 L/min)	100 L/min			
	Tichý režim	Deň (Po. - Ne.)	—			
		Čas	0:00 - 23:45			
Tichá hladina (Normálna/Hladina1/Hladina2)	Normálna					
Prevádzkové nastavenia	Vykurovacia prevádzka *8	Rozsah tepl. prietoku *10	Min.tepl. (20 - 45 °C)	30°C		
			Max.tepl. (35 - 60 °C)	50°C		
		Regulácia tepl. miestnosti *15	Režim (Normálny/Rýchly)	Normálny		
			Interval (10 - 60 min)	10 min		
	Tep. čerp. termo. nast. rozd.	Zap./Vyp. *6	Zap.			
		Dolný limit (-9 - -1°C)	-5°C			
	Horný limit (+3 - +5°C)	5°C				
	Funkcia ochrany proti zamrznutiu *11	Vonk. okolitá tepl. (3 - 20°C) / **	5°C			
	Súbežná prevádzka (TÚV/ vykurovanie)	Zap./Vyp. *6	Vyp.			
		Vonk. okolitá tepl. (-30 - +10°C) *3	-15°C			
Funkcia studeného počasia	Zap./Vyp. *6	Vyp.				
	Vonk. okolitá tepl. (-30 - -10°C) *3	-15°C				
Prevádzka bojlera	Hybridné nastavenia	Vonk. okolitá tepl. (-30 - +10°C) *3	-15°C			
			Prioritný režim (Okolie/Náklady/CO ₂) *17	Okolie		
		Nárast vonkajšej okolitej teploty (+1 - +5°C)	+3°C			
		Inteligentné nastavenia	Cena energia *9	Elektrina (0,001 - 999 */kWh)	0,5 */kWh	
	Bojler (0,001 - 999 */kWh)			0,5 */kWh		
	Emisie CO ₂		Elektrina (0,001 - 999 kg -CO ₂ /kWh)	0,5 kg -CO ₂ /kWh		
			Bojler (0,001 - 999 kg -CO ₂ / kWh)	0,5 kg -CO ₂ /kWh		
	Zdroj tepla		Výkon tepelného čerpadla (1 - 40 kW)	11,2 kW		
			Účinnosť bojlera (25 - 150 %)	80 %		
	Výkon prídavného ohrievača 1 (0 - 30 kW)	2 kW				
Výkon prídavného ohrievača 2 (0 - 30 kW)	4 kW					

(pokračovanie na nasled. strane)

Formuláre pre technikov

Záznamový list pre uvádzanie do prevádzky/prevádzkové nastavenia (pokračovanie z predchádzajúcej strany)

Obrazovka hlavného diaľkového ovládača				Parametre	Predvolené nastavenie	Pre- váz- kové na- stavenie	Po- znám- ky	
Servisné menu	Prevádzko- vé nastave- nia	Pripravené pre inteligentné siete	TÚV	Zap./Vyp.	Vyp.			
			Vykurovanie	Cieľová tepl. (+1- +20 °C) / -- (neaktívna)	--			
				Zap./Vyp.	Vyp.			
			Chladenie	Cieľ. tepl.	Odporúčanie pri zapnutí (20 - 60°C)	50°C		
					Príkaz na zapnutie (20 - 60°C)	55°C		
			Cykly čerpadla	Zap./Vyp.	Vyp.			
				Cieľ. tepl.	Odporúčanie pri zapnutí (5 - 25°C)	15°C		
					Príkaz na zapnutie (5 - 25°C)	10°C		
			Funkcia sušenia podlahy	Vykurovanie (Zap./Vyp.)	Zap.			
				Chladenie (Zap./Vyp.)	Zap.			
				Interval (10 - 120 min)	10 min			
				Zap./Vyp. *6	Vyp.			
		Cieľ. tepl.		Začiatok a koniec (20 - 60 °C)	30°C			
				Max. tepl. (20 - 60 °C)	45°C			
				Doba max. tepl. (1 - 20 dní)	5 dní			
	Tepl. prívodu (zvýšiť)	Krok zvyš. teploty (+1 - +10 °C)		+5 °C				
		Zvýšiť interval (1 - 7 dní)	2 dni					
	Tepl. prívodu (znížiť)	Krok zníž. teploty (-1 - -10 °C)	-5°C					
		Znížiť interval (1 - 7 dní)	2 dni					
	Letný režim	Zap./Vyp.	Vyp.					
		Vonk. okolitá tepl.	Vykurovanie ZAP. (4 - 19°C)	10°C				
			Vykurovanie VYP. (5 - 20°C)	15°C				
		Doba posúdenia	Vykurovanie ZAP. (1 - 48 hodín)	6 hodín				
			Vykurovanie VYP. (1 - 48 hodín)	6 hodín				
	Nútené vykurovanie ZAP. (-30 - 10°C)	5°C						
	Riadenie prietoku vody	Zap./Vyp.	Vyp.					
	Nastavenia pre sledovanie energie	Výkon elektrického ohrievača	Výkon prídavného ohrievača 1	0 - 30 kW	2 kW			
			Výkon prídavného ohrievača 2	0 - 30 kW	4 kW			
			Výkon ponorného ohrievača	0 - 30 kW	0 kW			
			Analógový výstup	0 - 30 kW	0 kW			
		Prispôsobenie dodanej energie	-50 - +50 %	0 %				
	Vstup vodného čerpadla	Čerpadlo	Čerpadlo 1	0 - 200 W alebo *** (čerpadlo namontované z výroby)	***			
			Čerpadlo 2	0 - 200 W	0 W			
			Čerpadlo 3	0 - 200 W	0 W			
			Čerpadlo 4 *19	0 - 200 W	72 W			
	Elektromer	0,1/1/10/100/1000 impulzov/kWh	1 impulz/kWh					
	Merač tepla	0,1/1/10/100/1000 impulzov/kWh	1 impulz/kWh					
	Nastavenia externého vstupu	Vyžiadanie kontroly (IN4)	Zdroj tepla VYP./prevádzka bojlera	Prevádzka bojlera				
		Vonkajší termostat (IN5)	Prevádzka ohrievača/prevádzka bojlera	Prevádzka bojlera				
	Výstup termo ZAP.	Zóna1/Zóna2/Zóna1a2	Zóna1a2					

*1 Nastavenia týkajúce sa Zóny2 je možné prepnúť len vtedy, keď je aktivovaná 2-zónová regulácia teploty (keď je DIP SW2-6 a SW2-7 ZAPNUTÝ).

*2 Pre model bez prídavného a ponorného ohrievača nemusí dosiahnuť nastavenú teplotu v závislosti od vonkajšej teploty.

*3 Dolný limit je -15°C v závislosti od pripojenej vonkajšej jednotky.

*4 Dolný limit je -13 °C v závislosti od pripojenej vonkajšej jednotky.

*5 Dolný limit je -14°C v závislosti od pripojenej vonkajšej jednotky.

*6 Zap.: funkcia je aktívna; Vyp.: funkcia nie je aktívna.

*7 Ak je DIP SW1-1 nastavený na VYPNUTÝ „WITHOUT Boiler“ (BEZ bojlera) alebo SW2-6 je nastavený na VYPNUTÝ „WITHOUT Mixing tank“ (BEZ zmiešavacej nádrže), nie je možné vybrať ani Bojler ani Hybrid.

*8 Platí len pri prevádzke v režime regulácie tepl. miestnosti.

*9 „**“ v „*/kWh“ predstavuje menovú jednotku (napr. € alebo £ alebo pod.)

*10 Platí len pri prevádzke v režime regulácie tepl. miestnosti.

*11 Ak je vybraná hviezdička (**), je funkcia ochrany proti zamrznutiu deaktivovaná. (napr. riziko zamrznutia primárnej vody)

12 Nastavenia režimu chladenia sú k dispozícii len pre model ERS.

*13 K dispozícii len vtedy, ak je v systéme zásobník TÚV.

*14 Nastavenia týkajúce sa Zóny2 je možné prepnúť len vtedy, keď je aktivovaná 2-zónová regulácia teploty alebo 2-zónová regulácia ZAP./VYP. ventilu.

*15 Ak je DIP SW5-2 nastavený na VYPNUTÝ, je funkcia aktívna.

*16 Ak je hydrobox pripojený k vonkajšej jednotke PUMY-P, je režim pevne stanovený na „Normálny“.

*17 Ak je hydrobox pripojený k vonkajšej jednotke PUMY-P, je režim pevne stanovený na „Okolie“.

*18 Nemeňte nastavenie, pretože je nastavené podľa špecifikácií snímača prietoku pripojeného k hydroboxu.

*19 Toto nastavenie platí len pre zásobníkové jednotky.

1. Biztonsági figyelmeztetések 2
 2. Bevezető 3
 3. Műszaki információk 4
 4. Telepítés 11
 4.1 Helyszín 11
 4.2 Víztisztaság és a rendszer előkészítése 13
 4.3 Vízvezeték kiépítése 14
 4.4 Elektromos csatlakozás 16
 5. A rendszer beállítása 18
 5.1 A DIP-kapcsoló funkciói 18
 5.2 Bemenetek/kimenetek csatlakoztatása 19
 5.3 Bekötés 2-zónás hőmérséklet-szabályozóhoz 20
 5.4 Használat csak beltéri egységgel (a telepítés során) ... 21
 5.5 Az SD-memóriakártya használata 21
 5.6 Fő távvezérlő 22
 6. Szervizelés és karbantartás 29

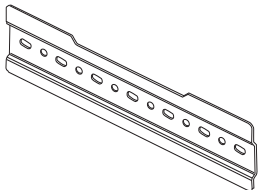
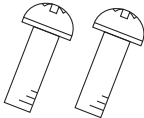
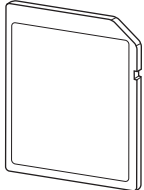
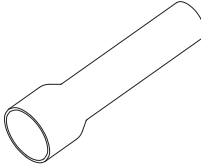


<http://www.mitsubishielectric.com/ldg/ibim/>

Ha további, ebben a kézikönyvben nem szereplő információkat szeretne kapni, keresse meg a fenti webhelyet a kézikönyvek letöltéséhez, válassza ki a modell nevét, majd válassza ki a nyelvet.

A webhely kézikönyv tartalma

- Energiafelügyelet
- Szobatermosztát
- A rendszer feltöltése
- Egyszerű 2-zónás rendszer
- Független elektromos áramforrás
- Intelligens hálózatba kapcsolható
- HMV-tartály a hidraulikaszerényhez
- Távvezérlő opciók
- Szervíz menü (speciális beállítás)
- Kiegészítő információk

Tartozékok (mellékelve)			
Hátlap	Csavar M5×8	SD-memóriakártya	Csatlakozócső*
			
1	2	1	1

* Csak E*SE sorozat

Rövidítések és szójegyzék

Sz.	Rövidítések/kifejezések	Leírás
1	Kompenzációs görbe üzemmód	Helyiségfűtés, amely magában foglalja a kültéri környezeti hőmérséklet kompenzációját.
2	COP	Teljesítmény-együttható (Coefficient of Performance), a hőszivattyú hatékonysága.
3	Hűtési üzemmód	Helyiségűtés ventilátorkonvektorral vagy padlóűtéssel.
4	HMV-üzemmód	Háztartási meleg víz fűtési üzemmódja zuhanyzókhoz, mosdókhoz stb.
5	Bemenő hőmérséklet	Az elsődleges körbe szállított víz hőmérséklete.
6	Fagyás stat. funkció	Fűtésvezérlési rutin a vízvezetékek fagyásának megakadályozására.
7	FTC	A bemenő hőmérséklet vezérlője (Flow temperature controller), a rendszer vezérlését ellátó áramköri kártya.
8	Fűtési üzemmód	Radiátoros vagy padlófűtéses helyiségfűtés.
9	Hidraulikaszerény	A kiegészítő vízvezeték-alkatrészeket tartalmazó beltéri egység (HMV-tartály nélkül).
10	Legionella	A csőhálózatban, zuhanyokban és víztartályokban előforduló baktérium, amely légúti betegséget (Legionella-fertőzés) okozhat.
11	LP-üzemmód	Legionella-megelőző (Legionella prevention) üzemmód – a víztartályos rendszerek egy funkciója, amely megakadályozza a Legionella baktériumok szaporodását.
12	Tokozott modell	Lemezes hőcserélő (hűtőközeg – víz) a kültéri hőszivattyús egységben.
13	PRV	Nyomáscsökkentő szelep (Pressure relief valve)
14	Visszatérő hőmérséklet	Az elsődleges körből szállított víz hőmérséklete.
15	Osztott modell	Lemezes hőcserélő (hűtőközeg – víz) a beltéri egységben.
16	TRV	Termostatikus radiátorszelep (Thermostatic radiator valve) – a radiátorlemez bemenetén vagy kimenetén lévő szelep, amely a hőleadást vezérli

1 Biztonsági figyelmeztetések

Figyelmesen olvassa el a következő biztonsági óvintézkedéseket.

FIGYELEM:

Óvintézkedések, amelyeket a sérülések vagy a halál elkerülése érdekében be kell tartani.





VIGYÁZAT:

Óvintézkedések, amelyeket az egység károsodásának elkerülése érdekében be kell tartani.

Ezt a telepítési kézikönyvet és a használati útmutatót a termék mellett kell hagyni a telepítés után, mert a későbbiekben szükség lehet rá. A Mitsubishi Electric nem felelős a helyben beszerzett alkatrészek meghibásodásáért.

- Feltétlenül végezzen rendszeres karbantartást.
- Feltétlenül tartsa be a helyi előírásokat.
- Feltétlenül tartsa be a kézikönyvben található utasításokat.

AZ EGYSÉGEN LÁTHATÓ KÜLÖNBÖZŐ SZIMBÓLUMOK JELENTÉSEI

	FIGYELEM (Tűzveszély)	Ez a jelölés csak az R32 hűtőközegre vonatkozik. A hűtőközeg típusa a kültéri egység adattáblájára van megadva. Abban az esetben, ha a hűtőközeg R32 típusú, az egység gyúlékony hűtőközeget használ. Ha a hűtőközeg szivárog és tüzzel vagy fűtő részegységgel érintkezik, veszélyes gáz keletkezik és tűzveszély is fennáll.
	Használat előtt alaposan olvassa el a HASZNÁLATI ÚTMUTATÓT.	
	A használat előtt a szervizszemélyzetnek alaposan át kell olvasnia a HASZNÁLATI ÚTMUTATÓT és a TELEPÍTÉSI ÚTMUTATÓT.	
	További információk a HASZNÁLATI ÚTMUTATÓBAN, TELEPÍTÉSI ÚTMUTATÓBAN és hasonló dokumentumokban érhetők el.	

FIGYELEM

Mechanikai

- A hidraulikaszerelnyét és a kültéri egységeket tilos a felhasználónak üzembe helyezni, szétszerelni, áthelyezni, módosítani vagy javítani. Kérje egy erre felhatalmazott szerelő vagy technikus segítségét. Ha az egység nem megfelelően lett telepítve vagy a telepítés után módosítva lett, vízszivárgás, áramútés vagy tűz keletkezhet.
- A kültéri egységet olyan kemény, vízszintes felületre kell biztonságosan rögzíteni, ami elbírja az egység súlyát.
- A hidraulikaszerelnyét a túlzott hangkibocsátás és rezgések elkerülése érdekében olyan kemény, függőleges felületen kell elhelyezni, ami elbírja annak feltöltött súlyát.
- Ne helyezzen bútorokat vagy elektromos berendezéseket a kültéri egység vagy a hidraulikaszerelny alá.
- A hidraulikaszerelny vészhelyzeti/biztonsági berendezéseinek kimeneti csővezetékeit a helyi törvényeknek megfelelően kell telepíteni.
- Csak a Mitsubishi Electric által engedélyezett kiegészítőket és cserealkatrészeket használjon, amelyek felszereléséhez kérje képzett szakember segítségét.

Elektromos

- Minden elektromos munkát képzett szakembernek kell elvégeznie, a helyi előírásoknak és a kézikönyvben megadott utasításoknak megfelelően.
- Az egységeket külön erre kijelölt áramforrásról kell táplálni, és megfelelő feszültséget és megszakítókat kell használni.
- A vezetékvezést a bekötésre vonatkozó előírásoknak megfelelően kell elvégezni. A csatlakozásokat biztonságosan, a kapcsok terhelése nélkül kell elvégezni.
- Földelje megfelelően az egységet.

Általános

- Tartsa távol a gyermekeket és a háziállatokat a hidraulikaszerelnytől és a kültéri egységektől.
- Ne használja a hőszivattyú által előállított meleg vizet közvetlenül ivásra vagy főzésre. Ez a felhasználó megbetegedését okozhatja.
- Ne álljon az egységekre.
- Ne érintse meg a csatlakozásokat nedves kézzel.
- A hidraulikaszerelnyen és a kültéri egységen az éves karbantartási ellenőrzéseket szakképzett személynek kell elvégeznie.
- Ne helyezzen folyadékkal teli edényeket a hidraulikaszerelny tetejére. Ha a folyadék szivárog vagy ráfröccsen a hidraulikaszerelnyre, az a berendezés károsodását és/vagy tüzet okozhat.
- Ne helyezzen semmilyen nehéz tárgyat a hidraulikaszerelny tetejére.
- A hidraulikaszerelny telepítése, áthelyezése vagy javítása során csak a hőszivattyúhoz előírt hűtőközeget használja a hűtővezetékek feltöltéséhez. Ne keverje össze más hűtőközeggel, és ne hagyja, hogy a vezetékekben levegő maradjon. Ha a hűtőközeg levegővel keveredik, az a hűtőközeg-vezetékekben rendellenesen nagy nyomást idézhet elő, és robbanást vagy egyéb veszélyeket okozhat.
- A rendszerhez megadottól eltérő hűtőközeg használata mechanikai meghibásodáshoz, rendszerleálláshoz vagy a készülék elromlásához vezet. A legrosszabb esetben ez súlyosan akadályozhatja a termékbiztonság garantálását.
- Fűtési üzemmódban, hogy a hőszigetelőanyagban a túl meleg víz ne tudjon kárt tenni, a bemenő célhőmérsékletet állítsa legalább 2°C-kal az összes hőszigetelő legnagyobb megengedett hőmérséklete alá. 2. zóna esetén a bemenő célhőmérsékletet állítsa 5°C-kal a 2. zóna körében lévő összes hőszigetelő legnagyobb bemenő hőmérséklete alá.
- Ne telepítse az egységet olyan helyen, ahol éghető gázok szivároghatnak, képződhetnek, áramolhatnak vagy halmozódhatnak fel. Ha éghető gáz halmozódik fel az egység körül, az tüzet vagy robbanást okozhat.
- Ne alkalmazzon semmilyen más megoldást a kioldás felgyorsítására vagy a tisztításra, mint amit a gyártó ajánlott.
- A berendezést olyan helyiségben kell tárolni, ahol nincs folyamatosan működő gyújtóforrás (például: nyílt láng, működő gázkészülék vagy működő elektromos fűtőegység).
- Ügyeljen rá, hogy ne lyukassza ki vagy égesse meg.
- Felhívjuk figyelmét, hogy a hűtőközeg nem feltétlenül tartalmaz illatanyagot.
- A csővezetékeket védeni kell a fizikai károsodástól.
- A beépített csőhossz legyen minél rövidebb.
- Be kell tartani a gázokra vonatkozó nemzeti előírásokat.
- Minden szükséges szellőzőnyílást akadálymentesen kell tartani.
- Ne használjon alacsony hőmérsékletű forrasztóanyagot a hűtőközegcsövek keményforrasztása esetén.

1 Biztonsági figyelmeztetések

⚠ VIGYÁZAT

Az elsődleges körön használjon a helyi minőségszabványnak megfelelő tiszta vizet.
A kültéri egységet a kültéri egység telepítési útmutatójának diagramjai szerint elegendő légárammal rendelkező helyen kell elhelyezni.
A hidraulikaszelekrényt a hővesztés minimalizálása érdekében beltérben kell elhelyezni.
A kültéri és a beltéri egység közötti elsődleges körben lévő vízcsöveket a hővesztés csökkentése érdekében minimálisra kell csökkenteni.
A víztócsák kialakulásának elkerülése érdekében ügyeljen kültéri egység kondenzvizének elvezetésére az alapzattól.
Távolítsa el a lehető legtöbb levegőt a vízkörből.
A hűtőközeg szivárgása fulladást okozhat. Biztosítson az EN378-1 szabványnak megfelelő szellőzést.
Feltétlenül tekerjen szigetelést a csövezeték köré. A csupasz csövezetékkel való közvetlen érintkezés égési sérülést vagy fagyást okozhat.
Soha, semmilyen okból ne tegyen elemeket a szájába, hogy elkerülje azok véletlen lenyelését.
Az elem lenyelése fulladást és/vagy mérgezést okozhat.
A hidraulikaszelekrény tápellátásának hosszabb időre történő lekapcsolása (vagy a rendszer kikapcsolása) előtt le kell eresztetni a vizet.
Megelőző intézkedéseket kell hozni a vízlökés ellen, például a gyártó utasításai szerint be kell építeni egy vízlökés-elnyelőt az elsődleges vízkörbe.
A kondenzáció sugárzókon való megjelenésének elkerüléséhez megfelelően állítsa be a bemenő hőmérsékletet, és állítsa be a bemenő hőmérséklet alsó határértékét is a helyszínen.

Ami a hűtőközeg kezelését illeti, olvassa el a kültéri egység telepítési útmutatóját.

2 Bevezető

Az telepítési útmutató az illetékes személyek eligazítására szolgál abban, hogy hogyan kell biztonságosan és hatékonyan felszerelni és üzembe helyezni a hidraulikaszelekrény rendszert. A kézikönyv célközönségét a szakértő vízvezeték-szerelők és/vagy hűtéstechnikai mérnökök jelentik, akik részt vettek

és átmentek a Mitsubishi Electric termékkel kapcsolatosan előírt képzésén, és megfelelő képesítéssel rendelkeznek a szellőztetés nélküli melegvízes hidraulikaszelekrények telepítéséhez az adott országban.

Termékspecifikációk

Modell neve	EHSD-MED	EHSD-VM2D	EHSD-VM6D	EHSD-VM9D	EHSD-VM9ED	EHSD-TM9D	ERSD-MED	ERSD-VM2D	ERSD-VM6D	ERSD-VM9D	EHSC-VM9ED	EHSC-TM9D	ERSC-MED	ERSC-VM2D	ERSC-VM9ED	ERSE-MED	ERSE-VM9ED
Az egység teljes mérete (magasság x szélesség x mélység)																	
Súly (üresen)	36 kg	43 kg	44 kg	44 kg	40 kg	44 kg	38 kg	44 kg	40 kg	48 kg	43 kg	48 kg	41 kg	48 kg	64 kg	62 kg	950 x 600 x 360 mm
Súly (tele)	38 kg	48 kg	49 kg	45 kg	45 kg	49 kg	39 kg	50 kg	52 kg	52 kg	50 kg	54 kg	44 kg	54 kg	74 kg	72 kg	950 x 600 x 360 mm
Az egység fűtőkörének vízminysége *1																	
Szelezés nélküli táglási tartály (elsőleges fűtés)	1,7 kg	5,2 kg	5,2 kg	5,2 kg	5,2 kg	5,2 kg	1,7 kg	5,2 kg	2,6 kg	2,6 kg	6,1 kg	6,1 kg	2,6 kg	6,1 kg	10,0 kg	10,0 kg	800 x 530 x 360 mm
Névtelen terfogot	—	10 L	—	10 L	—	10 L	—	10 L	—	10 L	—	10 L	—	10 L	—	—	800 x 530 x 360 mm
Töltési nyomás	—	1 bar	—	1 bar	—	1 bar	—	1 bar	—	1 bar	—	1 bar	—	1 bar	—	—	800 x 530 x 360 mm
Vezérlő termisztor																	
Vízkör (Elsődleges)	Nyomáscsökkentő szelep (Pressure relief valve)																
Biztonsági eszköz	Áramlásérzékelő																
Min. áramlás 5,0 L/perc (A vízáramot lásd a 4.3.1. táblázatban)																	
Segédhűtő	—	90°C	—	90°C	—	90°C	—	90°C	—	90°C	—	90°C	—	90°C	—	—	90°C
Hővédelem funkció (a száraz fűtés eikerüléséhez)																	
—	—	121°C	—	121°C	—	121°C	—	121°C	—	121°C	—	121°C	—	121°C	—	—	121°C
Víz (elsőleges kör)																	
Hűtőközeg (R32/ R410A)	Folyadék																
Gáz	12,7 mm																
Bemenő hőmérséklet	—																
Helyiség hőmérséklet	5-25°C																
Hűtés	10-30°C																
Környezet *2																	
Fűtés	0-35°C (≤ 80%RH)																
Kültéri hőmérséklet	Lásd: kültéri egység specifikációs táblázat.																
—	*3																
—	*3																
Áramellátás (fázis, feszültség, frekvencia)																	
Megszakító (ha független forrásból van ellátva energiával)	~N, 230 V, 50 Hz																
10A																	
Vezérlőtábla (beleértve 4 szivattyút)																	
—	~N, 230 V, 50 Hz	3-~, 400 V, 50 Hz	3-~, 230 V, 50 Hz	3-~, 230 V, 50 Hz	—	~N, 230 V, 50 Hz	—	~N, 230 V, 50 Hz	~N, 230 V, 50 Hz	~N, 230 V, 50 Hz	3-~, 400 V, 50 Hz	3-~, 230 V, 50 Hz	—	~N, 230 V, 50 Hz	3-~, 400 V, 50 Hz	—	—
Segédhűtő	2 kW	2 kW +4 kW	3 kW +6 kW	3 kW +6 kW	—	2 kW	—	2 kW +4 kW	2 kW	2 kW +4 kW	3 kW +6 kW	3 kW +6 kW	—	2 kW	3 kW +6 kW	3 kW +6 kW	—
Áramerősség	9 A	26 A	13 A	23 A	—	9 A	—	26 A	9 A	26 A	13 A	23 A	—	9 A	13 A	13 A	—
Megszakító	16 A	32 A	16 A	32 A	—	16 A	—	32 A	16 A	32 A	16 A	32 A	—	16 A	16 A	16 A	—
Hangteljesítményszint																	
41 dB(A)																	
40 dB(A)																	
45 dB(A)																	

<3.1. táblázat>

*1 A táglási tartályhoz szükséges csövezeteket az érték nem tartalmazza.

*2 A környezetnek fagymentesnek kell lennie.

*3 Lásd kültéri egység specifikációs táblázat. (min. 10°C)

A hűtési üzemmód alacsony kültéri hőmérséklet esetén nem áll rendelkezésre.

Ha a rendszert alacsony környezeti hőmérsékleten (10°C vagy annál alacsonyabb) hűtési üzemmódban használja, akkor fennáll a lemezes hőcsőerő felgyógyt víz miatti károsodásának kockázata.

Modell neve	EHSE-YM9ED	EHPX-MED	EHPX-MED	EHPX-MED	EHPX-VM2D	EHPX-VM6D	EHPX-VM9D	EHPX-YM9ED
Az egység teljes mérete (magasság x szélesség x mélység)	950 x 600 x 360 mm							
Súly (üresen)	800 x 530 x 360 mm							
Súly (tele)	63 kg	61 kg	28 kg	35 kg	37 kg	37 kg	37 kg	32 kg
Az egység fűtőkörének vízmennyisége *1	73 kg	71 kg	29 kg	40 kg	41 kg	41 kg	41 kg	37 kg
Szellőztetés nélküli táglási tartály (elsődleges fűtés)	10,0 kg	10,0 kg	1,0 kg	4,5 kg	4,5 kg	4,5 kg	4,5 kg	4,5 kg
Névtelen tartály	—	—	—	—	—	—	—	—
Töltési nyomás	—	—	—	—	—	—	—	—
Vezérlő termisztor	1–80°C							
Biztonsági eszköz	Vízkör (Elsődleges)							
	Nyomáscsökkentő szelep (Pressure relief valve)							
	Áramlásérzékelő							
	Kézi visszaállítású termosztát							
	Hővédelem funkció (a száraz fűtés elkerüléséhez)							
	Víz (elsődleges kör)							
	G1-1/2-B							
	Folyadék							
	R32/ R410A							
	Gáz							
	Fűtés							
	25,4 mm (keményforrasztás)							
	Bemenő hőmérséklet							
	Fűtés							
	Helyiség hőmérséklet							
	Fűtés							
	Hűtés							
	Környezet *2							
	0–35°C (≤ 80 %RH)							
	Fűtés							
	Hűtés							
	Lásd kültéri egység specifikációs táblázat							
	Vezérlőtábla (beleértve 4 szivattyút)							
	Áramellátás (fázis, feszültség, frekvencia)							
	Megszakító (*ha független forrásból van ellátva energiával)							
	10 A							
	Áramellátás (fázis, feszültség, frekvencia)							
	3–, 400 V, 50 Hz							
	~N, 230 V, 50 Hz							
	~N, 230 V, 50 Hz							
	3–, 400 V, 50 Hz							
	3 kW +6 kW							
	2 kW +4 kW							
	3 kW +6 kW							
	13 A							
	9 A							
	26 A							
	13 A							
	16 A							
	16 A							
	32 A							
	16 A							
	16 A							
	40 dB(A)							
	45 dB(A)							
	40 dB(A)							

<3.2. táblázat>

*1 A táglási tartályhoz szükséges csővezetéket az érték nem tartalmazza.

*2 A környezeti hőmérsékletnek kell lennie.

*3 Lásd kültéri egység specifikációs táblázat. (min. 10°C)

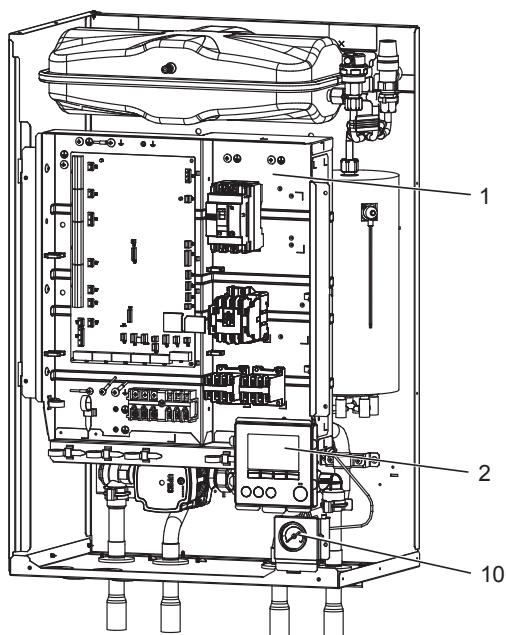
A fűtési üzemmód alacsony kültéri hőmérséklet esetén nem áll rendelkezésre.

Ha a rendszer alacsony környezeti hőmérsékleten (10°C vagy annál alacsonyabb) hűtési üzemmódban használja, akkor fennáll a lemezes hőcsereelőfagyott víz miatti károsodásának kockázata.

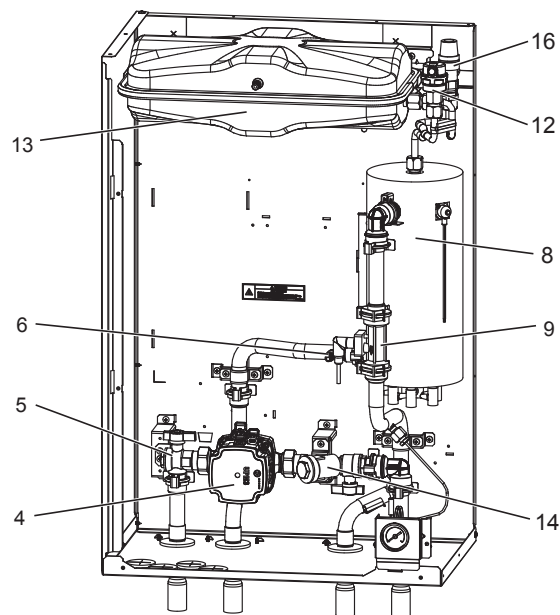
3 Műszaki információk

■ Részegységek

<EHPX-*M*D> (tokozott modellrendszer)

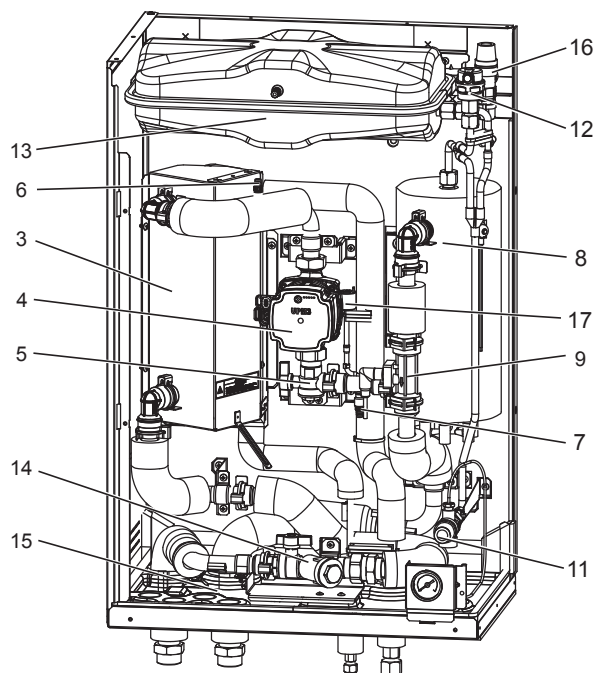


<3.1. ábra>



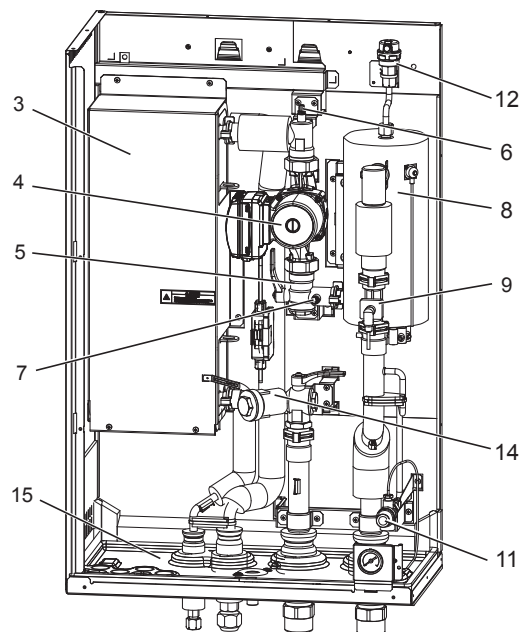
<3.2. ábra>

<E*S*-*M**D> (Osztott modellrendszer)



<3.3. ábra>

<E*SE-*M*ED>



<3.4. ábra>

Sz.	Alkatrész neve	EHPX-*M*(E)D	EHS*-MED	EHS*-*M*D	EHS*-YMØED	ERS*-*M*(E)D	ERS*-MED
1	Vezérlő és elektromos szekrény	✓	✓	✓	✓	✓	✓
2	Fő távvezérlő	✓	✓	✓	✓	✓	✓
3	Lemez hőcserélő (Hűtőközeg – Víz)	—	✓	✓	✓	✓	✓
4	Vízkerिंगető szivattyú 1	✓	✓	✓	✓	✓	✓
5	Szivattyúszelap	✓	✓	✓	✓	✓	✓
6	Szellőzőnyílás (Kézi)	—	✓	✓	✓	✓	✓
7	Leeresztőcsap (elsődleges kör)	✓	✓	✓	✓	✓	✓
8	1. és 2. segédűtő	✓	—	✓	✓	✓	—
9	Áramlásérzékelő	✓	✓	✓	✓	✓	✓
10	Manométer	✓	✓	✓	✓	✓	✓
11	Nyomáscsökkentő szelep (3 bar)	—	✓	✓	✓	✓	✓
12	Automata légtelenítő	✓	✓	✓	✓	✓	✓
13	Tágulási tartály	✓*1	—	✓	—	✓*2	—
14	Szűrőszelap	✓	✓	✓	✓	✓	✓
15	Leeresztőtartály	—	—	—	—	—	—
16	Nyomáscsökkentő szelep (5 bar)	✓*1	—	✓	—	✓*2	—
17	Nyomásérzékelő	—	✓*3	✓*3	✓*3	✓*3	✓*3

<3.3. táblázat>

Megjegyzés:

Minden E***-*M*ED modell telepítésekor figyeljen oda egy megfelelő méretezésű elsődleges oldali tágulási tartály és egy további PRV beszerelésére, hogy megelőzze a tágulási tartály helyszíni felrobbanását. (További útmutatásért lásd 3.5. ~ 3.6. és 4.3.10. ábrák)

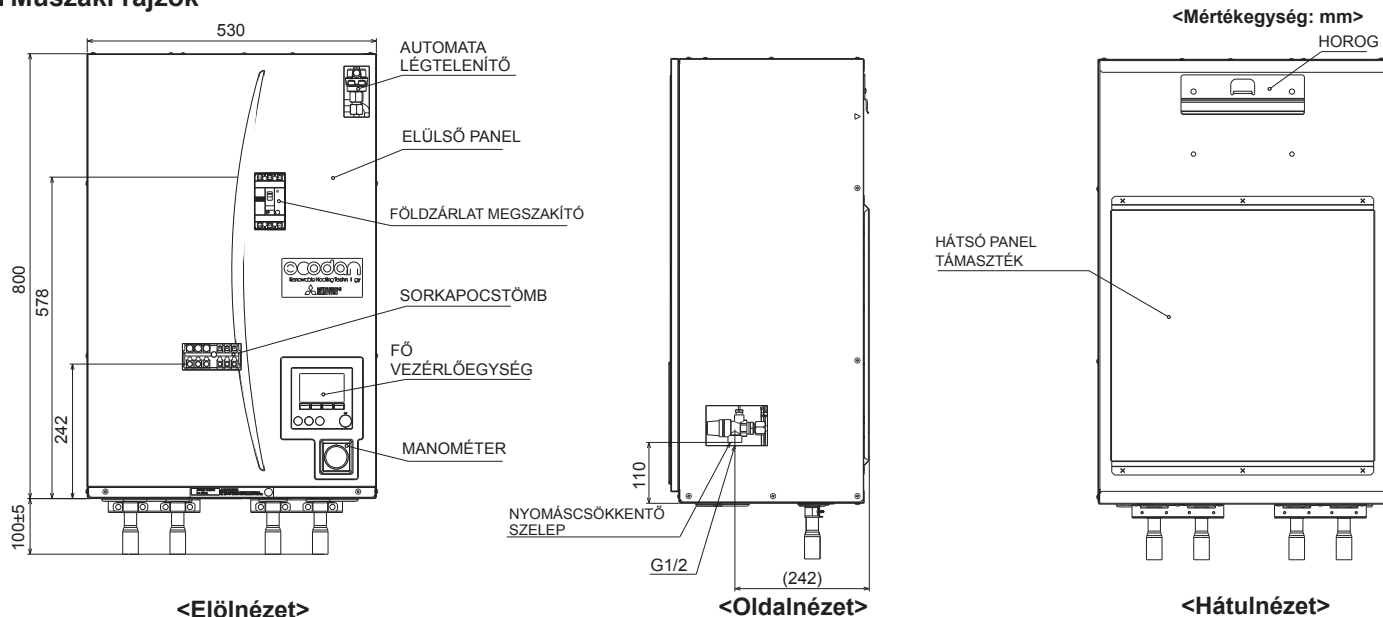
*1 Az EHPX-YMØED és az EHPX-MED nem tartoznak bele.

*2 Az E*SE-YMØED nem tartozik bele.

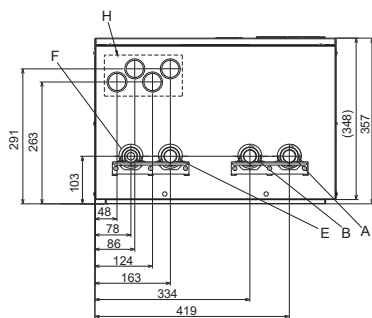
*3 Csak 2HP (E*SD) modell.

3 Műszaki információk

■ Műszaki rajzok



<EHPX> (tokozott modellrendszer)



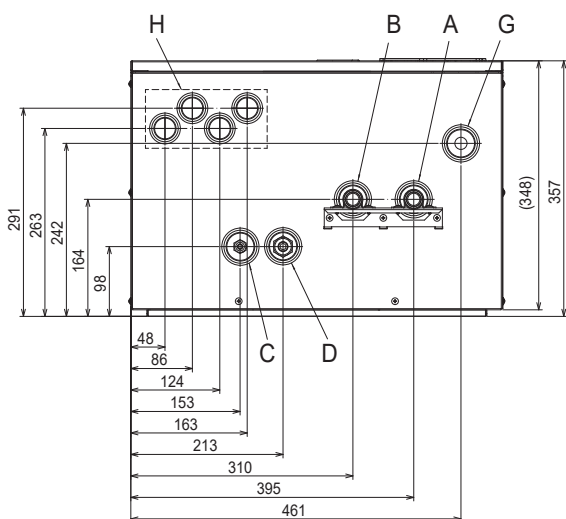
<Alulnézet>

Betű	Cső leírása	Csatlakozás mérete/típusa
A	Helyiségfűtés/Indirekt HMV-tartály (elsődleges) VISSZATÉRŐ csatlakozás	28 mm/Szorító (EH**-* G1 anya (ERS*-*))
B	Helyiségfűtés/Indirekt HMV-tartály (elsődleges) BEMENŐ csatlakozás	28 mm/Szorító (EH**-* G1 anya (ERS*-*))
C	Hűtőközeg (Folyadék)	6,35 mm/kúpos (E*SD-* 9,52 mm/kúpos (E*SC-*))
D	Hűtőközeg (Gáz)	12,7 mm/kúpos (E*SD-* 15,88 mm/kúpos (E*SC-*))
E	Bemenő csatlakozás a hőszivattyútól	28 mm/Szorító (EHPX-*)
F	Visszatérő csatlakozás a hőszivattyúhoz	28 mm/Szorító (EHPX-*)
G	Leeresztő cső (telepítő által) a nyomáscsökkentő szeleptől	G1/2" aljzat (szeleppont a hidraulikaszerény burkolatában)
H	Elektromos kábelbemenetek	A ① és ② bemenetekhez vezesse a magas feszültségű vezetékeket, beleértve a tápkábelt, a beltéri-kültéri kábelt és a külső kimeneti vezetékeket. A ③ és ④ bemenetéhez vezessen alacsony feszültségű vezetékeket, beleértve a külső bemeneti vezetékeket és a termisztor vezetékeket. Egy vezeték nélküli vevő (opcionális) kábeléhez használja a ④ bemenetet.
I	Leeresztő aljzat	Külső átmérő: ø20

<3.4. táblázat>

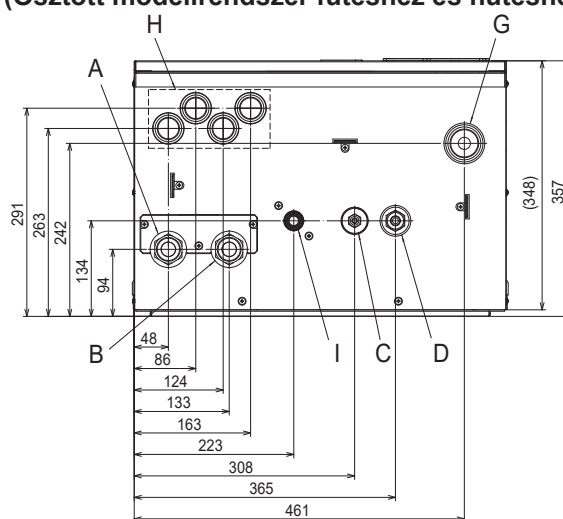
3 Műszaki információk

<EHS*> (Osztott modellrendszer)



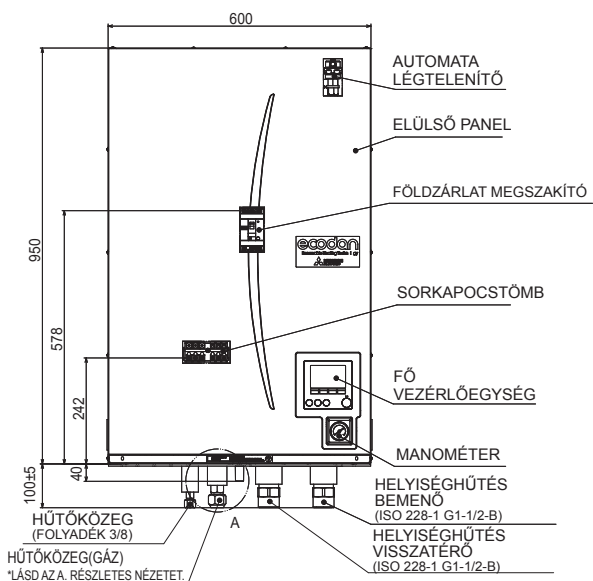
<Alulnézet>

<ERS*> (Osztott modellrendszer fűtéshez és hűtéshez)

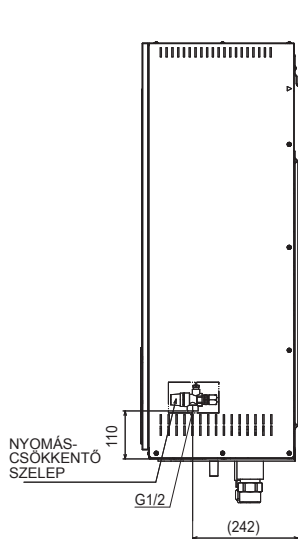


<Alulnézet>

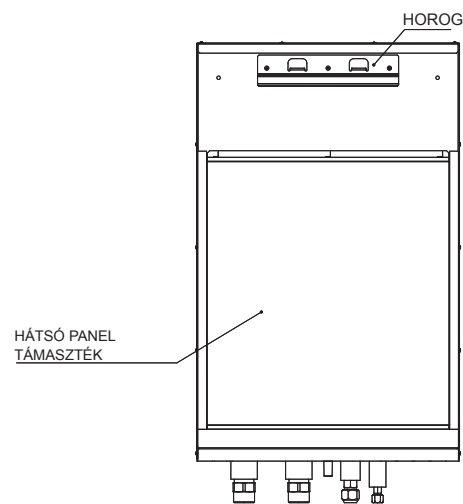
<E*SE> (Fűtés/fűtő és hűtő rendszer)



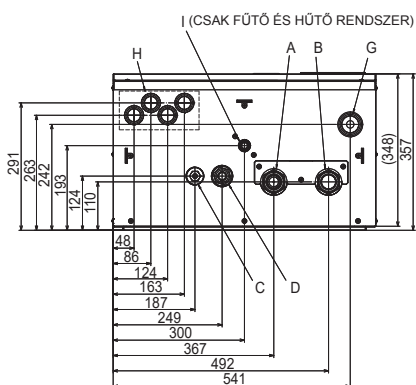
<Előlnézet>



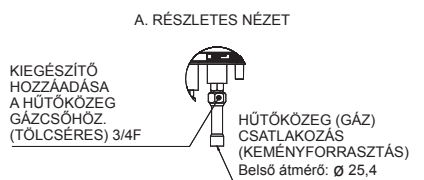
<Oldalnézet>



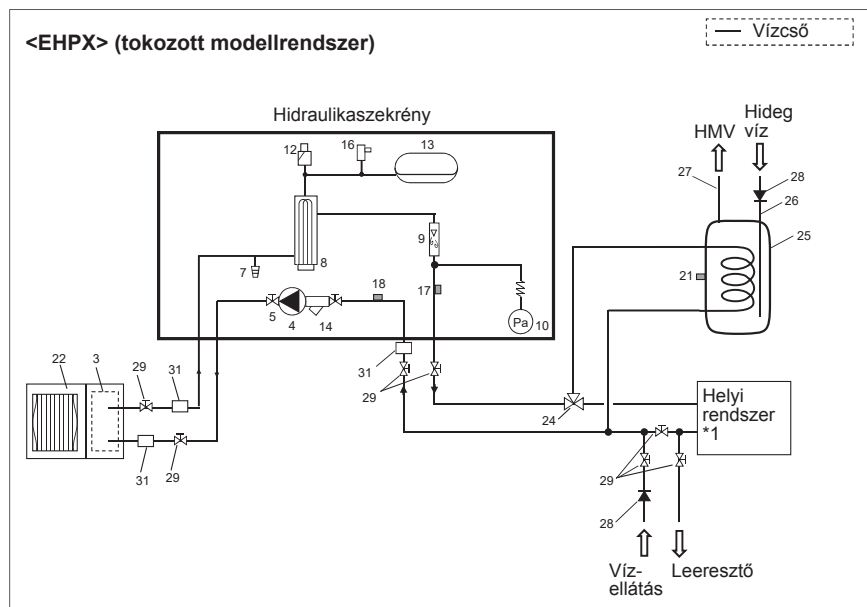
<Hátulnézet>



<Alulnézet>



■ Vízkör diagram



<3.5. ábra>

Megjegyzés

- A melegvíz-csatlakozások rendszerkonfigurációjának elvégzéséhez ügyeljen a helyi előírásokra.
- A HMV csatlakozások nincsenek mellékelve a hidraulikaszelekrény csomagjában. Minden szükséges alkatrész helyi szinten kell beszerezni.
- A hidraulikaszelekrény kiürítése érdekében egy leválasztószelepet kell elhelyezni mind a bemeneti, mind a kimeneti csővezetéken.
- Ügyeljen arra, hogy a hidraulikaszelekrényhez menő bemeneti csővezetékre helyezzen el egy szűrőt.
- Megfelelő vízvezető csővezetékkel kell csatlakoztatni az összes nyomáscsökkentő szeleppel az ország szabályainak megfelelően.
- A vízellátó csővezetékre visszaáramlás-gátló berendezést kell felszerelni (IEC 61770).
- Különböző fémekből készült alkatrészek vagy különböző fémekből készült összekötő csövek használata esetén szigetelje el az illesztéseket, hogy megakadályozza a korróziós reakciót, ami károsítja a csővezetékét.

Sz.	Alkatrész neve	EHPX- *M* (E/D)	EHS- MED	EHS- *M*D	EHS- YM 9ED	ERS- *M*(E/D)	ERS- MED
1	Vezérlő és elektromos szekrény	✓	✓	✓	✓	✓	✓
2	Fő távvezérlő	✓	✓	✓	✓	✓	✓
3	Lemezes hőcserélő (Hűtőközeg – Víz)	—	✓	✓	✓	✓	✓
4	Vízkeringető szivattyú 1	✓	✓	✓	✓	✓	✓
5	Szivattyúszelep	✓	✓	✓	✓	✓	✓
6	Szellőzőnyílás (Kézi)	—	✓	✓	✓	✓	✓
7	Leeresztőcsap (elsőleges kör)	✓	✓	✓	✓	✓	✓
8	1. és 2. segédűtő	✓	—	✓	✓	✓	—
9	Áramlásérzékelő	✓	✓	✓	✓	✓	✓
10	Manométer	✓	✓	✓	✓	✓	✓
11	Nyomáscsökkentő szelep (3 bar)	—	✓	✓	✓	✓	✓
12	Automata légtelenítő	✓	✓	✓	✓	✓	✓
13	Tágulási tartály	✓*2	—	✓	—	✓*3	—
14	Szűrőszelep	✓	✓	✓	✓	✓	✓
15	Leeresztőtartály	—	✓	—	—	✓	✓
16	Nyomáscsökkentő szelep (5 bar)	✓*2	—	✓	—	✓*3	—
17	THW1	✓	✓	✓	✓	✓	✓
18	THW2	✓	✓	✓	✓	✓	✓
19	TH2	—	✓	✓	✓	✓	✓
20	Nyomáserzékelő	—	✓*4	✓*4	✓*4	✓*4	✓*4
21	THW5B (PAC-TH011TK2-E vagy PAC-TH011TKL2-E opcionális rész)	—	—	—	—	—	—
22	Kültéri egység	—	—	—	—	—	—
23	Vízvezető cső (helyi beszerzés)	—	—	—	—	—	—
24	3-utas szelep (helyi beszerzés)	—	—	—	—	—	—
25	HMV indirekt nem szellőztetett tartály (helyi beszerzés)	—	—	—	—	—	—
26	Hidegvizes bemeneti cső (helyi beszerzés)	—	—	—	—	—	—
27	HMV leeresztőcső (helyi beszerzés)	—	—	—	—	—	—
28	Visszaáramlás-gátló eszköz (helyi beszerzés)	—	—	—	—	—	—
29	Leválasztószelep (helyi beszerzés)	—	—	—	—	—	—
30	Mágneses szűrő (helyi beszerzés) (ajánlott)	—	—	—	—	—	—
31	Szűrő (helyi beszerzés)	—	—	—	—	—	—

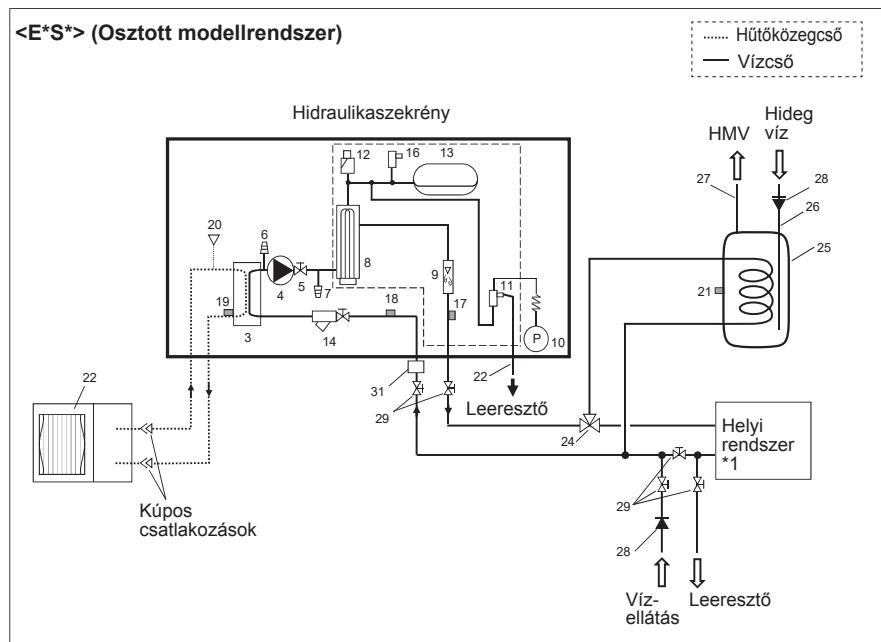
<3.5. táblázat>

*1 Lásd a következő részt [Local system] (Helyi rendszer).

*2 Az EHPX-YM9ED és az EHPX-MED nem tartoznak bele.

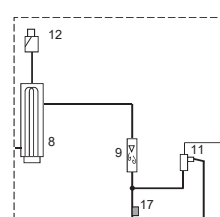
*3 Az ERSE-YM9ED nem tartozik bele.

*4 Csak 2HP(E*SD) modell.



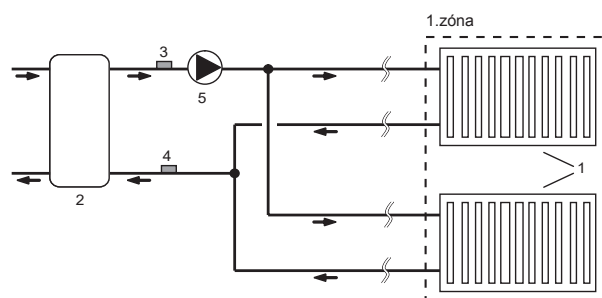
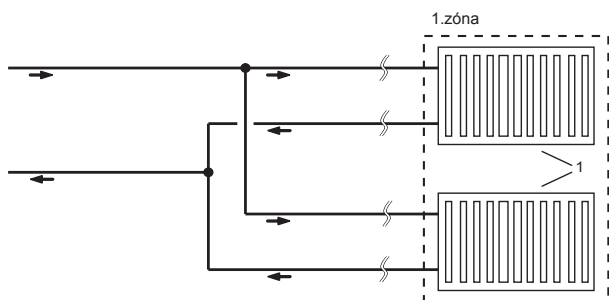
<3.6. ábra>

<Csak E*SE>

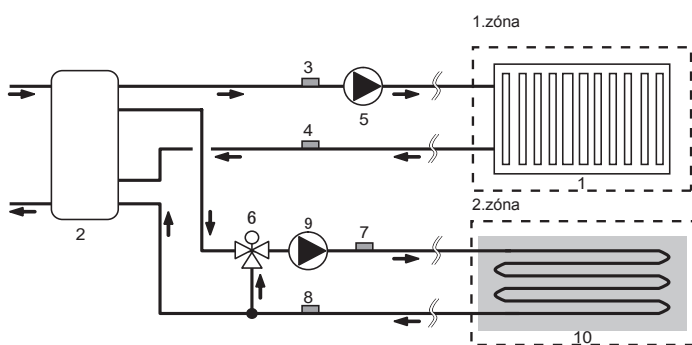


Helyi rendszer

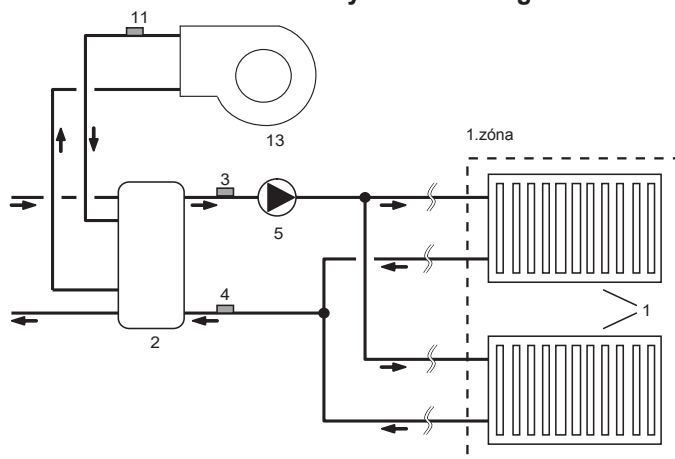
1-zónás hőmérséklet-szabályozás



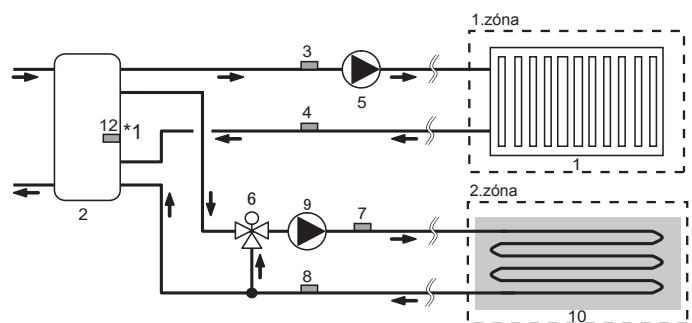
2-zónás hőmérséklet-szabályozás



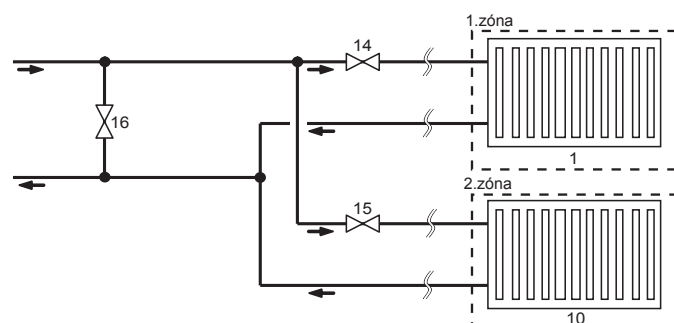
1-zónás hőmérséklet-szabályozás vízmelegítővel



2-zónás hőmérséklet-szabályozás és puffertartály vezérlés



1-zónás hőmérséklet-szabályozás (2-zónás szelep BE/KI vezérlés)



1. 1. zóna hőszugárzók (pl. radiátor, ventilátoregység) (helyi beszerzés)
2. Keverőtartály (helyi beszerzés)
3. 1. zóna bemenő vízhőm. termisztor (THW6)
4. 1. zóna visszatérő vízhőm. termisztor (THW7) } Opcionális alkatrész: PAC-TH011-E
5. 1. zóna vízkeringető szivattyú (helyi beszerzés)
6. Motorizált keverőszelep (helyi beszerzés)
7. 2. zóna bemenő vízhőm. termisztor (THW8)
8. 2. zóna visszatérő vízhőm. termisztor (THW9) } Opcionális alkatrész: PAC-TH011-E
9. 2. zóna vízkeringető szivattyú (helyi beszerzés)

10. 2. zóna hőszugárzók (pl. padlófűtés) (helyi beszerzés)
 11. Vízmelegítő bemenő vízhőm. termisztor (THWB1)
 12. Keverőtartály termisztor (THW10) *1 } Opcionális alkatrész: PAC-TH012HT(L)-E
 13. Vízmelegítő (helyi beszerzés)
 14. 1. zóna 2-utas szelep (helyi beszerzés)
 15. 2. zóna 2-utas szelep (helyi beszerzés)
 16. Megkerülő szelep (helyi beszerzés)
- *1 CSAK puffertartály vezérlés (fűtés/hűtés) erre vonatkozik: „Smart grid ready (Intelligens hálózatba kapcsolható)”.

<Előkészületek a telepítés és szervizelés előtt>

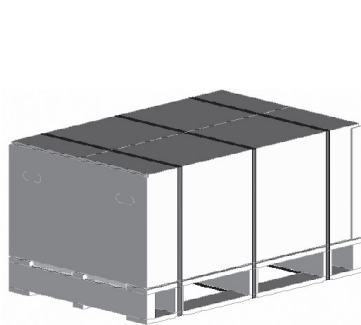
- Készítse elő a szükséges szerszámokat.
- Készítse elő a megfelelő védelmet.
- Minden karbantartás előtt hagyja lehűlni az alkatrészeket.
- Biztosítson megfelelő szellőzést.
- A rendszer leállítás után kapcsolja ki a tápellátás megszakítót, és húzza ki a hálózati csatlakozót.
- Az elektromos alkatrészeket érintő munka megkezdése előtt süsse ki a kondenzátort.

<Óvintézkedések a szervizelés során>

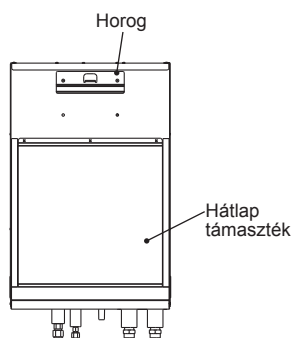
- Ne végezzen nedves kézzel elektromos alkatrészeket érintő munkát.
- Ne öntsön vizet vagy folyadékot az elektromos alkatrészekbe.
- Ne érjen a hűtőközeghez.
- Ne érintse meg a forró vagy hideg felületet a hűtőközeg ciklusban.
- Ha az áramkör javítását vagy ellenőrzését a tápellátás kikapcsolása nélkül kell végezni, nagyon óvatosan járjon el, hogy NE érintse meg az ÁRAM alatti alkatrészeket.

4.1 Helyszín

■ Szállítás és kezelés



<4.1.1. ábra>



<4.1.2. ábra>

A hidraulikaszekevény egy fa raklapra helyezve, kartonpapír védelemmel van leszállítva.

Ügyelni kell arra, hogy a hidraulikaszekevény szállítása során a burkolat ne sérüljön meg. Ne távolítsa el a védőcsomagolást, amíg a hidraulikaszekevény el nem érte a végső helyét. Ez segít megvédeni a szerkezetet és a kezelőpanelt.

Megjegyzés:

- A hidraulikaszekevényt **MINDIG** legalább 2 személynek kell mozgatnia.
- **NE** fogja a csővezetékét a hidraulikaszekevény mozgatásakor vagy emelésekor.

■ Megfelelő hely

Telepítés előtt a hidraulikaszekevényt fagymentes és időjárásálló helyen kell tárolni. Az egységeket **NEM** szabad egymásra helyezni.

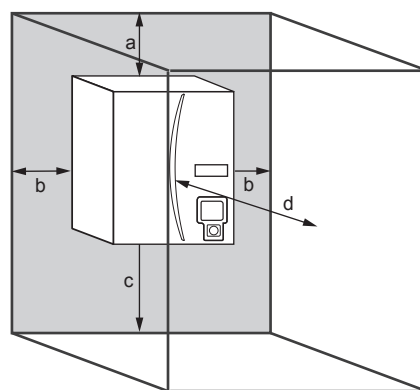
- A hidraulikaszekevényt beltérben, fagymentes időjárásálló helyen kell elhelyezni.
- Olyan helyre szerelje be a hidraulikaszekevényt, ahol nincs kitéve víznek/túlzott nedvességnek.
- A hidraulikaszekevényt olyan vízszintes falra kell elhelyezni, amely elbírja a feltöltött tömegét.
- A tömeg megállapításához lásd a „3. Műszaki információk” c. részt.
- Ügyelni kell a szervizhozzáférést biztosító minimális távolságok megtartására a készülék körül és előtt <4.1.3. ábra>.
- Rögzítse a hidraulikaszekevényt, hogy megakadályozza annak felborulását.
- A horgot és a panel támasztékokat kell használni a hidraulikaszekevény falra rögzítéséhez. <4.1.2. ábra>

■ Szervizhozzáférési diagramok

Szervizhozzáférés	
Paraméter	Méret (mm)
a	200
b	150
c	500
d	500

<4.1.1. táblázat>

A nemzeti és helyi építési előírásokban leírtak szerint elegendő helyet **KELL** hagyni a leeresztőcsövek számára.



<4.1.3. ábra>

Szervizhozzáférés

A hidraulikaszekevénynek beltérben és fagymentes környezetben kell lennie, például egy kiszolgáló helyiségben.

■ A hidraulikaszekevény áthelyezése

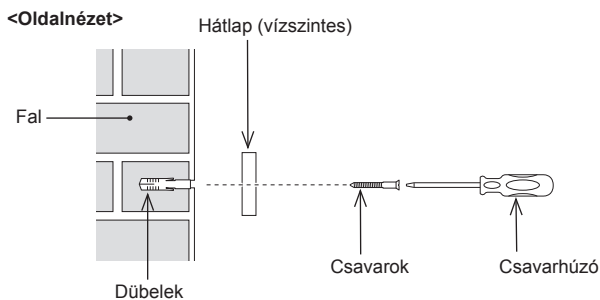
Ha a hidraulikaszekevényt új helyre kell áthelyezni, **TELJESEN ERESSZE LE**, hogy elkerülje az egység károsodását.

Megjegyzés: NE fogja a csővezetékét a hidraulikaszekevény mozgatásakor vagy emelésekor.

Felszerelési eljárás

1. Szerelje be a mellékelt háttlap tartozékot.

* A háttlap felszerelésékor helyi beszerzésű csavarokat és kompatibilis dübeleket használjon.



<4.1.4. ábra>

- Helyezze el a háttlapot a vízszintes bevágott profillal FELFELE. A háttlap csavaros rögzítőfuratokkal van ellátva, amelyek kör vagy ovális alakúak. Annak érdekében, hogy az egység ne essen le a falról, válassza ki a megfelelő számú furatot vagy furatpozíciót, és vízszintesen rögzítse a háttlapot a megfelelő helyre a falon.

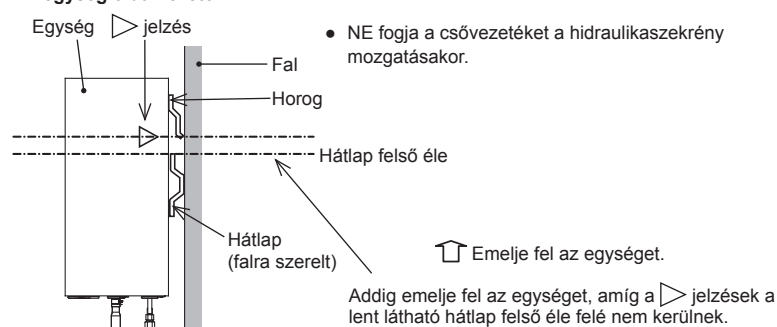
2. Helyezze be a horgot a hidraulikaszekrény hátsó részén, a háttlap bevágása mögött.

* A hidraulikaszekrény felemelését megkönnyíti, ha először a mellékelt csomagolóbetéttel megdönti az egységet.

i) A jobb és a bal oldali panelek mindegyike egy ▷ jelzéssel van ellátva.

Addig emelje fel az egységet, amíg a ▷ jelzések a lent látható háttlap felső szélé fölé nem kerülnek.

<Az egység oldalnézete>



<4.1.5. ábra>

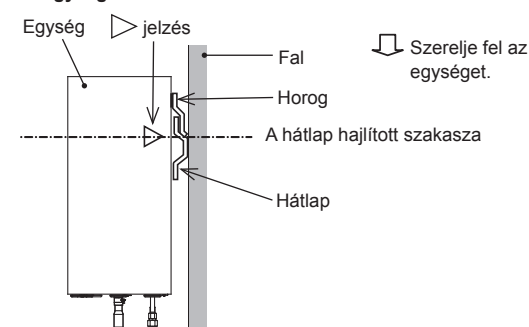
<Az egység előlínézete>



<4.1.7. ábra>

ii) Ellenőrizze és győződjön meg arról, hogy a ▷ jelzések helyesen vannak elhelyezve és megfelelően rögzítve van a háttlap hajlított szakaszának szintjén, ahogy az az alábbi ábrán is látható.

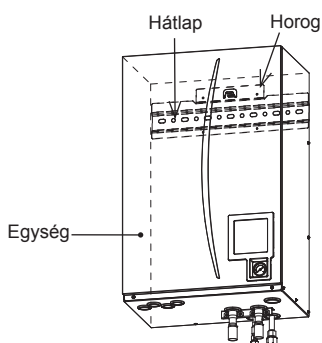
<Az egység oldalnézete>



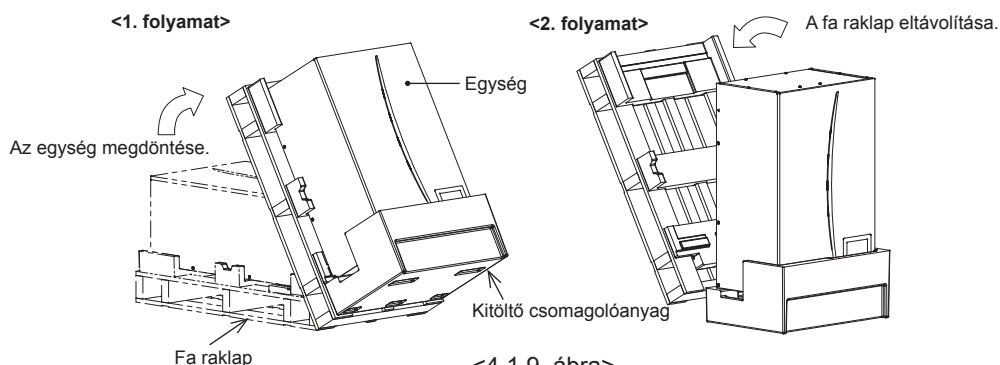
<4.1.6. ábra>

- A 4.1.7. ábra mutatja az egység és a falra rögzített háttlap egymáshoz viszonyított helyzetét. Szerelje fel a háttlapot a <4.1.3. ábra> szervizhozzáférés szerint.

Méret (mm)	A	B
Hidraulikaszekrény		
E*SC	530	677
E*SD		
EHPX		
E*SE	600	827

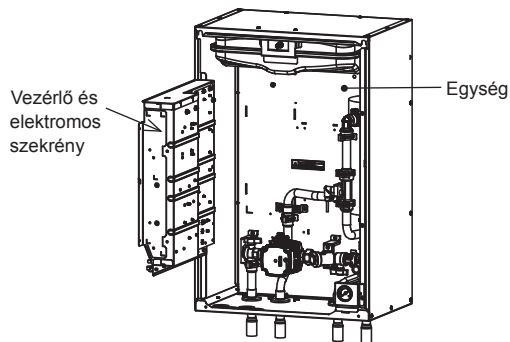


<4.1.8. ábra>



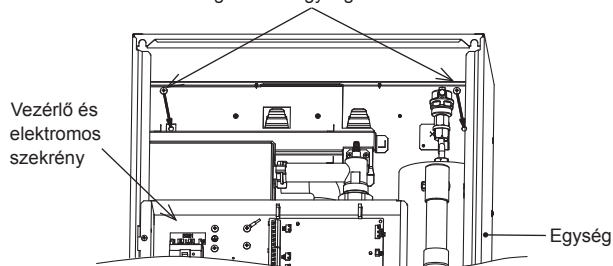
<4.1.9. ábra>

3. A „Belső részegységek és vezérlő és elektromos szekrény elérése” c. rész alapján rögzítse az egységet a hátlaphoz a mellékelt 2 csavarral (tartozékok).

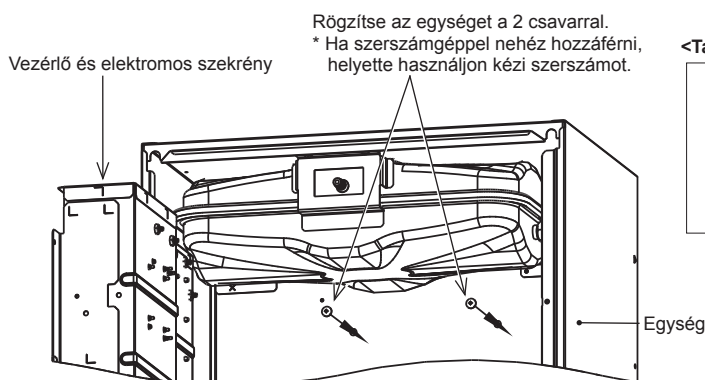


<4.1.10. ábra>

Rögzítse az egységet a 2 csavarral.

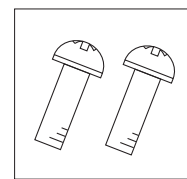


<4.1.12. ábra>



<4.1.11. ábra>

<Tartozék>



Csavar M5x8

VIGYÁZAT: A helyszíni csővezeték elkészítése ELŐTT ügyeljen rá, hogy behelyezze és meghúzza a két csavart. Ellenkező esetben az akasztó kioldhat, és az egység leeshet.

4.2 Víztisztítás és a rendszer előkészítése

■ Általános

- Az elsődleges és a szaniter körben lévő víznek tisztának és 6,5-8,0 pH-értékűnek kell lennie.
- A következő értékek a maximális értékek;
Kalcium: 100 mg/L, Ca-keménység: 250 mg/L
Klór: 100 mg/L, Réz: 0,3 mg/L
- Más alkotóelemeknek a 98/83/EK Európai irányelvnek megfelelőnek kell lenniük.
- Az ismert kemény vízű területeken a vízkövesség megelőzése/minimalizálása érdekében célszerű a rutin tárolt vízhőmérsékletet (HMV max. hőm.) 55°C-ra korlátozni.

■ Fagyálló

A fagyálló oldatoknál 1. osztályú toxicitási besorolással rendelkező propilén-glikolt kell alkalmazni, ahogyan azt a Clinical Toxicology of Commercial Products kiadvány 5. kiadása is tartalmazza.

Megjegyzés:

- Az etilén-glikol mérgező, és az elsődleges vízkörben annak az ivóvízkörrel való bármilyen keresztzennyeződése esetén **TILOS** használni.
- A 2-zónás szelep BE/KI vezérlésnél propilén-glikolt kell használni.

■ Új telepítés (elsődleges vízkör)

- A kültéri egység csatlakoztatása előtt egy megfelelő kémiai tisztítószerrel alaposan tisztítsa ki a csővezetékben a lerakódásokat, forrasztóanyagot stb.
- Öblítse át a rendszert a kémiai tisztítószer eltávolításához.
- Minden tokozott modellrendszerhez, és osztott modellhez vagy segédűtő nélküli PUMY rendszerhez adjon kombinált gátlószer és fagyálló oldatot, hogy megakadályozza a csővezeték és a rendszer részegységeinek károsodását.
- Az osztott modellrendszerek esetén a felelős telepítőnek kell eldöntenie, hogy az adott helyszín körülményei között szükséges-e fagyálló oldat. Korroziógátlót viszont MINDIG használni kell.

■ Meglévő telepítés (elsődleges vízkör)

- A kültéri egység csatlakoztatása előtt a meglévő fűtőkört kémiai úton ki KELL tisztítani, hogy eltávolítsa a fűtőkörből az ott található lerakódásokat.
- Öblítse át a rendszert a kémiai tisztítószer eltávolításához.
- Minden tokozott modellrendszerhez adjon kombinált gátlószer és fagyálló oldatot, hogy megakadályozza a csővezeték és a rendszer részegységeinek károsodását.
- Az osztott modellrendszerek esetén a felelős telepítőnek kell eldöntenie, hogy az adott helyszín körülményei között szükséges-e fagyálló oldat. Korroziógátlót viszont MINDIG használni kell.

Kémiai tisztítószer és gátlószer használata során mindig kövesse a gyártó utasításait, és győződjön meg arról, hogy a termék kompatibilis a vízkörben használt anyagokkal

■ A helyiségfűtési/hűtési körben szükséges minimális vízmennyiség

Kültéri hőszivattyú egység	Átlagos/melegebb klíma**		Hidegebb klíma**	
	A beltéri egységben található vízmennyiség [L]	*További szükséges vízmennyiség [L]	A beltéri egységben található vízmennyiség [L]	*További szükséges vízmennyiség [L]
Tokozott modell	PUZ-WM50	2		24
	PUZ-WM60	4		29
	PUZ-WM85	7	5	32
	PUZ-WM112	11		43
	PUZ-HWM140	15		55
Osztott modell	SUZ-SWM40	1		12
	SUZ-SWM60	2		21
	SUZ-SWM80	4		29
	PUHZ-FRP71	6		27
	PUHZ-SW75	6		27
	PUHZ-SW100	9		38
	PUHZ-SW120	12		47
	PUHZ-SW160	18		64
	PUHZ-SW200	24	5	81
	PUHZ-SHW80	6		29
	PUHZ-SHW112	11		43
	PUHZ-SHW140	15		55
	PUHZ-SHW230	28		94
	PUMY-P112	22		75
	PUMY-P125	22		75
PUMY-P140	22		75	

<4.2.1. táblázat>

* Ha van megkerülő kör, akkor a fenti táblázat a megkerülő esetén szükséges minimális vízmennyiséget mutatja.

** Lásd: 2009/125/EK: Energiával kapcsolatos termékek irányelv és szabályozás (EU) 813/2013 az éghajlati zóna ellenőrzéséhez.

- eset. Az elsődleges és a másodlagos kör nincs elválasztva
 - A 4.2.1. táblázat szerint biztosítsa a vízvezetékhez, radiátorokhoz vagy padlófűtéshez szükséges vízmennyiséget.
 - eset. Külön elsődleges és másodlagos kör
 - Ha az elsődleges és másodlagos szivattyú reteszelt működése nem elérhető, csak az elsődleges körben biztosítsa a 4.2.1. táblázat szerint szükséges további vízmennyiséget.
 - Ha az elsődleges és a másodlagos szivattyú reteszelt működése elérhető, az elsődleges és a másodlagos körben egyaránt biztosítsa a 4.2.1. táblázat szerinti teljes vízmennyiséget.
- A szükséges vízmennyiség hiányában szereljen be egy puffertartályt.

4.3 Vízvezeték kiépítése

Megjegyzés: Kerülje el, hogy a helyszíni csővezeték feszítse a hidraulikaszekrény csővezetékét, ezért rögzítse azt a falra vagy használjon más módszereket.

Melegvizes vízvezeték kiépítése

A hidraulikaszekrény következő biztonsági részegységeinek működését az esetleges rendellenességek tekintetében ellenőrizni kell a telepítés során;

- Nyomáscsökkentő szelep
- Táglási tartály előfeltöltése (gáz töltőnyomás)

A következő oldalakon található, a biztonsági berendezésekből a meleg víz biztonságos leeresztésére vonatkozó utasításokat gondosan be kell tartani.

- A csővezeték nagyon forró lesz, ezért az égési sérülések elkerülése érdekében szigetelni kell.
- A csővezeték csatlakoztatásakor ügyeljen arra, hogy ne kerüljön idegen tárgy, például törmelék vagy hasonlók, a csővezetékbe.

Biztonsági eszközök csatlakozása

A hidraulikaszekrényben egy nyomáscsökkentő szelep található. (lásd <4.3.1. ábra>) A csatlakozási mérete G1/2" aljzat. A telepítőnek a helyi és a nemzeti előírásoknak megfelelően KELL a leeresztő csővezeték csatlakoztatnia ehhez a szelephez.

Ennek elmulasztásakor a folyadék a nyomáscsökkentő szelepből közvetlenül a hidraulikaszekrénybe kerül, és ez a termék súlyos károsodását okozza.

Minden felhasznált csővezetéknek bírnia kell a forró vizet. A nyomáscsökkentő szelepek más célra NEM használhatók, és a leeresztésüknek biztonságos és szabályos módon, a helyi előírások szerint kell történnie.

Megjegyzés: Ügyeljen arra, hogy a manométer és a nyomáscsökkentő szelep NE legyen megfeszítve a kapilláris oldalán és a bemeneti oldalán sem. Nyomáscsökkentő szelep beszerelésekor alapvető, hogy ne legyen beszerelve visszacsapó szelep vagy leválasztószelep a hidraulikaszekrény csatlakozója és a nyomáscsökkentő szelep között (biztonsági okokból).

Hidraulikaszűrő beépítése (CSAK EHPX sorozat)

Szereljen be egy hidraulikaszűrőt vagy szűrőt (helyi beszerzés) a vízbemenetre („E cső” a 3.4. táblázatban, lásd még a megfelelő rajzot a 3.5. ábrán)

Csővezeték-csatlakozások

A hidraulikaszekrényhez menő csatlakozásokat a 28 mm-es összenyomott (EHSC/D sorozat) vagy a G1 anyával (ERSC/D sorozat) a G1-1/2 anyával (E*SE sorozat) kell elvégezni. (A hidraulikaszekrény G1 vagy G1-1/2 (külső) menetes csatlakozásokkal rendelkezik.)

Ne húzza túl a prészerelvényeket, mivel ez a gyűrű deformációjához és esetleges szivárgáshoz vezet.

Megjegyzés: A csövek helyszíni hegesztése előtt „hőpajzként” egy nedves törülközőt stb. használva védje a hengeregységen lévő csöveket. Két kulccsal húzza meg a csővezeték csatlakozásokat (lásd <4.3.2. ábra>).

Vízvezető csővezeték (CSAK ER sorozat)

A vízvezető csövet a hűtési üzemmódban a kondenzvíz elvezetésére kell felszerelni.

- Erősen rögzítse szerelje fel a vízvezető csövet, hogy megakadályozza a csatlakozás szivárgását.
- Erősen szigetelje le a vízvezető csövet, hogy megakadályozza a víz csöpögését a helyileg beszerelt vízvezető csőből.
- A vízvezető csövet 1/100 vagy annál nagyobb lejtéssel szerelje fel.
- Ne helyezze a vízvezető csövet olyan lefolyócsatornába, ahol kénegáz van.
- A telepítés után ellenőrizze, hogy a vízvezető cső megfelelően elvezeti a vizet a kimenettől a lefolyóhoz.

<Telepítés>

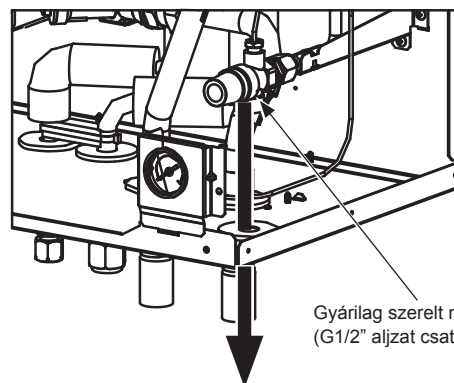
1. Vigyen fel a polivinil-klorid típusú ragasztót a vízvezető cső belsejében található satírozott felületre és a leeresztő aljzat külső részére az ábrán látható módon.
2. Tolja be mélyen a leeresztő aljzatot a vízvezető csőbe <4.3.3. ábra>.

Megjegyzés: Csótartóval erősen támassza alá a helyi beszerzésű vízvezető csövet, hogy elkerülje a vízvezető cső leeresztő aljzattól való kiesését.

Annak érdekében, hogy a szennyezett víz a hidraulikaszekrény mellett ne kerüljön közvetlenül a padlóra, csatlakoztassa a megfelelő vízvezető csővezetékét a hidraulikaszekrényből.

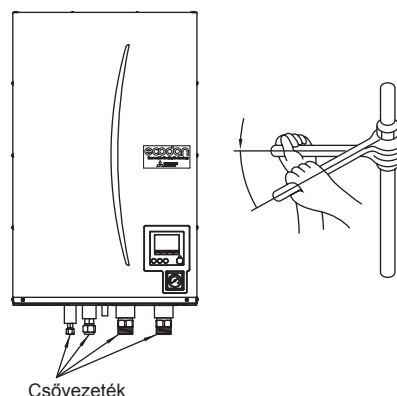
A csővezeték szigetelése

- Minden csupasz vízvezetékcsövet szigetelni kell, elkerülendő a felesleges hővesztés és kondenzáció kialakulását. Annak érdekében, hogy ne kerüljön kondenzvíz a hidraulikaszekrénybe, a hidraulikaszekrény tetején lévő csővezetékét és csatlakozásokat gondosan szigetelni kell.
- A nem kívánt hőátadás elkerülése érdekében a hidegvizes és melegvizes csővezeték nem lehetnek közel egymáshoz.
- A kültéri hőszivattyú egység és a hidraulikaszekrény közötti csővezeték megfelelő csőszigetelő anyaggal kell szigetelni, amelynek hővezető képessége $\leq 0,04 \text{ W/m.K.}$



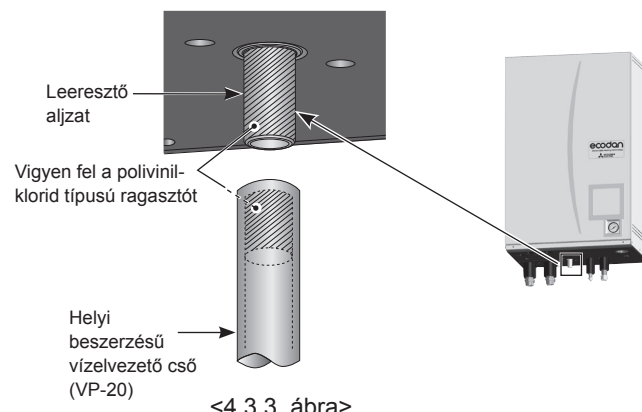
Nyílás a leeresztéshez (a csővezetékét a telepítőnek KELL felszerelnie).

<4.3.1. ábra>



Csővezeték

<4.3.2. ábra>



<4.3.3. ábra>

A vízkeringető szivattyú jellemzői

A szivattyú fordulatszáma a fő távvezérlő beállításával választható ki (lásd <4.3.4. – 4.3.9. ábra>).

Állítsa be a szivattyú fordulatszámát úgy, hogy az elsődleges körben az áramlási sebesség megfeleljen a telepített kültéri egységnek (lásd 4.3.1. táblázat).

Előfordulhat, hogy az elsődleges kör hosszától és emelkedésétől függően további szivattyút kell beszerezni a rendszerbe.

A <4.3.1. táblázatban> fel nem sorolt kültéri egység modellekhez lásd a Vízáramlás sebességtartományát a kültéri egység specifikációs táblázatában.

<Második szivattyú >

Ha a telepítéshez második szivattyúra van szükség, olvassa el figyelmesen az alábbiakat. Ha második szivattyú is van használatban a rendszerben, az kétféle módon helyezhető el.

A szivattyú helyzete befolyásolja, hogy az FTC egyes csatlakozóihoz melyik kábelt kell csatlakoztatni. Ha a kiegészítő szivattyú(k) áramfelvétele nagyobb 1A-nél, használjon megfelelő relét. A szivattyú jelkábele a TBO.1 1-2 vagy CNP1 csatlakozásaihoz is csatlakoztatható, de mindkettőhöz egyszerre NEM.

1. opció (csak helyiségfűtés/-hűtés)

Ha a második szivattyút csak a fűtőkörhöz használja, akkor a jelkábelt a TBO.1 3-as és 4-es csatlakozáshoz (OUT2) kell csatlakoztatni. Ebben a helyzetben a szivattyú más fordulatszámmal futhat a hidraulikaszekrény beépített szivattyújához képest.

2. opció (elsődleges kör HMV és helyiségfűtés/-hűtés)

Ha a második szivattyú az elsődleges körben lesz használva a hidraulikaszekrény és a kültéri egység között (CSAK csomagolórendszer), akkor a jelkábelt a TBO.1 1-as és 2-es csatlakozójához (OUT1) kell csatlakoztatni. Ebben a helyzetben a szivattyú fordulatszámának **MEG KELL** egyeznie a hidraulikaszekrény beépített szivattyújának fordulatszámával.

Megjegyzés: Lásd az 5.2 Bemenetek/kimenetek csatlakoztatása részt.

Kültéri hőszivattyú egység		Vízáramlás sebességtartománya [L/perc]
Tokozott modell	PUZ-WM50	6,5–14,3
	PUZ-WM60	8,6–17,2
	PUZ-WM85	10,8–25,8
	PUZ-WM112	14,4–32,1
	PUZ-HWM140	17,9–36,9
Osztott modell	SUZ-SWM40	6,5–11,4
	SUZ-SWM60	7,2–17,2
	SUZ-SWM80	7,8–21,5
	PUHZ-FRP71	11,5–22,9
	PUHZ-SW75	10,2–22,9
	PUHZ-SW100	14,4–32,1
	PUHZ-SW120	20,1–36,9
	PUHZ-SHW80	10,2–22,9
	PUHZ-SHW112	14,4–32,1
	PUHZ-SHW140	17,9–36,9
	PUMY-P112	17,9–35,8
	PUMY-P125	17,9–35,8
	PUMY-P140	17,9–35,8

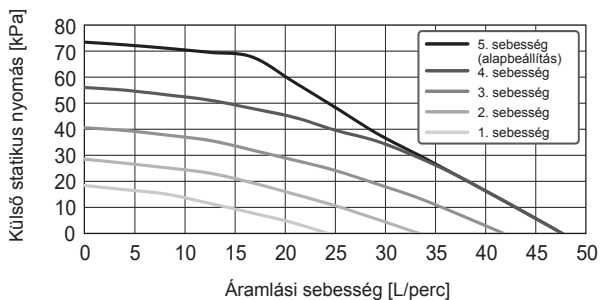
<4.3.1. táblázat>

* Ha a víz áramlási sebessége kisebb, mint az áramlásérzékelő minimális áramlási sebesség beállítása (az alapértelmezett 5,0 L/perc), áramlási sebesség hiba aktiválódik.

Ha a víz áramlási sebessége meghaladja a 36,9 L/percet, az áramlási sebesség nagyobb lesz 2,0 m/s-nél, ami erodálhatja a csöveket.

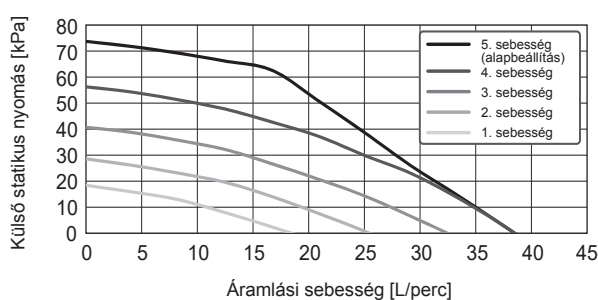
A vízkeringető szivattyú jellemzői

EHPX sorozat



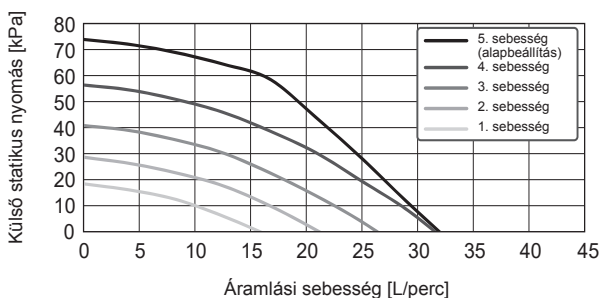
<4.3.4. ábra>

ERSC sorozat



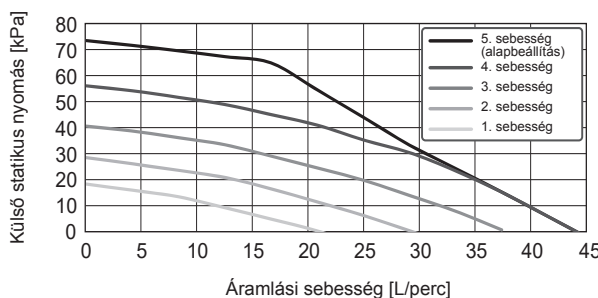
<4.3.5. ábra>

ERSD sorozat



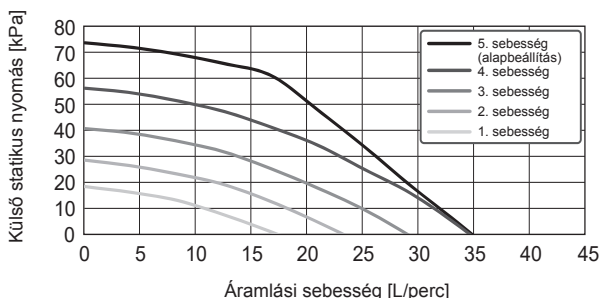
<4.3.6. ábra>

EHSC sorozat



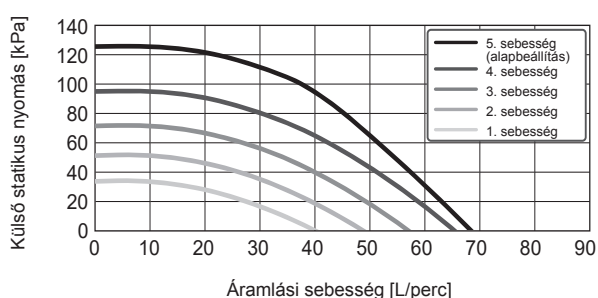
<4.3.7. ábra>

EHSD sorozat



<4.3.8. ábra>

E*SE sorozat



<4.3.9. ábra>

A tágulási tartály méretezése

A tágulási tartály térfogatának illeszkednie kell a helyi rendszer vízmennyiségéhez.

A következő képlet és grafikon használható a tágulási tartály fűtő- és hűtőkörhöz való méretezéséhez.

Ha a szükséges tágulási tartálytérfogat meghaladja a beépített tágulási tartály térfogatát, szereljen be egy további tágulási tartályt úgy, hogy a tágulási tartályok térfogatának összege nagyobb legyen a szükséges tágulási tartálytérfogatnál.

* Az E***-M*ED modell telepítéséhez biztosítson és szereljen be egy megfelelő elsődleges oldali tágulási tartályt és egy további 3 baros névleges nyomáscsökkentő szelepet a helyszínen, mivel a modell nincs felszerelve elsődleges oldali tágulási tartállyal.

$$V = \frac{\varepsilon \times G}{1 - \frac{P_1 + 0,098}{P_2 + 0,098}}$$

Ahol;

V : Szükséges tágulási tartálytérfogat [L]

ε : Víz tágulási együtthatója

G : A rendszerben lévő víz teljes térfogata [L]

P₁ : Tágulási tartály beállítási nyomása [MPa]

P₂ : Max. működés közbeni nyomás [MPa]

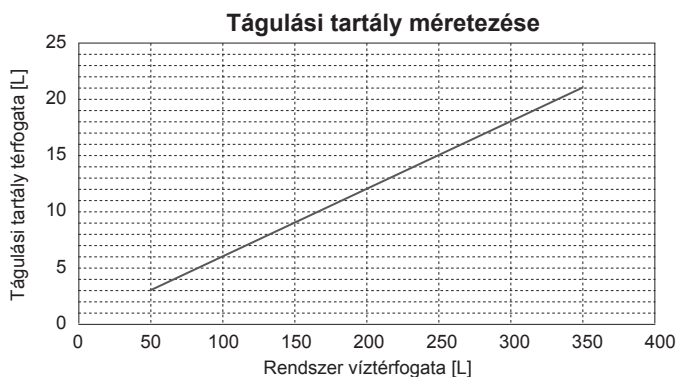
A jobb oldali grafikon a következő értékekre vonatkozik

ε : 70°C-on = 0,0229

P₁ : 0,1 MPa

P₂ : 0,3 MPa

*30% biztonsági tartalékkal.

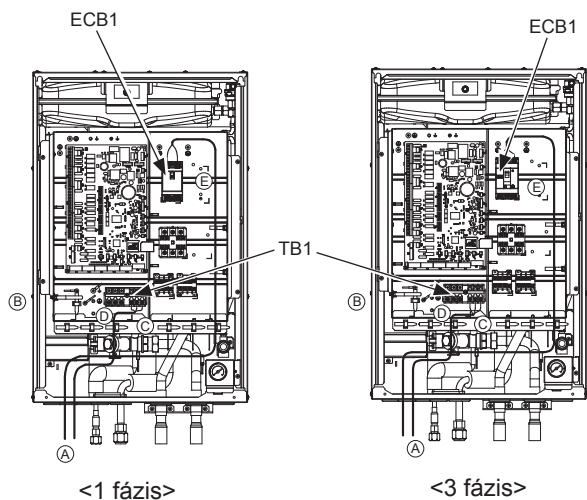


<4.3.10. ábra>

4.4 Elektromos csatlakozás

Minden elektromos munkát képzett szakembernek kell végezni. Ennek elmulasztása áramütést, tüzet és halált okozhat. A termék garanciáját is érvényteleníti. Minden vezetékezésnek meg kell felelnie a vezetékezésre vonatkozó nemzeti előírásoknak.

Megszakító rövidítése	Jelentés
ECB1	Földzárlat áramkört megszakító a segédfűtőhöz
TB1	1. sorkapocstömb



<4.4.1. ábra>

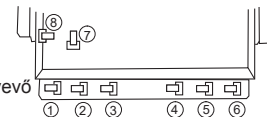
A hidraulikaszekrény áramellátása kétféleképpen biztosítható.

1. Tápkábel van elvezetve a kültéri egységtől a hidraulikaszekrényhez.
2. A hidraulikaszekrénynek független áramellátása van.

A kapcsokhoz való bekötést a bal alsó ábrákon látható módon a fázistól függően kell elvégezni.

A segédfűtőt és a merülőforralót egymástól függetlenül kell csatlakoztatni külön tápforrásokhoz.

- A helyi beszerzésű vezetékeket a hidraulikaszekrény alapzatán található bemenetekon keresztül kell átvezetni. (Lásd: <3.4. táblázat>.)
- A vezetékezést a vezérlő és az elektromos szekrény bal oldalán kell elvezetni, és a rögzítőelemekkel kell rögzíteni.
- A vezetékeket kábelfűzővel kell rögzíteni a lent látható módon.
 - 1 Kimeneti vezetékek
 - 2 Beltéri-kültéri vezeték
 - 3 Elektromos tápvezeték (B.H.)
 - 4 Jelbemeneti vezetékek/Vezeték nélküli vevő (opció) vezetéke (PAR-WR51R-E)
- Csatlakoztassa a kültéri egység – hidraulikaszekrény csatlakozókábelét a TB1-hez.
- Csatlakoztassa a segédfűtő tápkábelét az ECB1-hez.



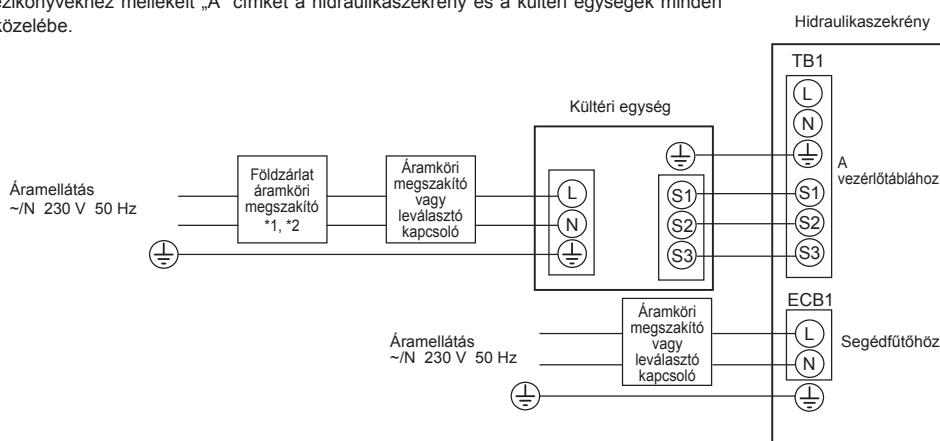
• Ügyeljen arra, hogy az ECB1 BE legyen kapcsolva.

4 Telepítés

A hidraulikaszeleket az áramellátást a kültéri egységből kapja
(Ha független áramforrást szeretne használni, menjen a Mitsubishi webhelyére.)

<1 fázis>

Helyezze fel a kézikönyvekhez mellékelt „A” címkét a hidraulikaszelekre és a kültéri egységek minden kapcsolási rajza közelébe.

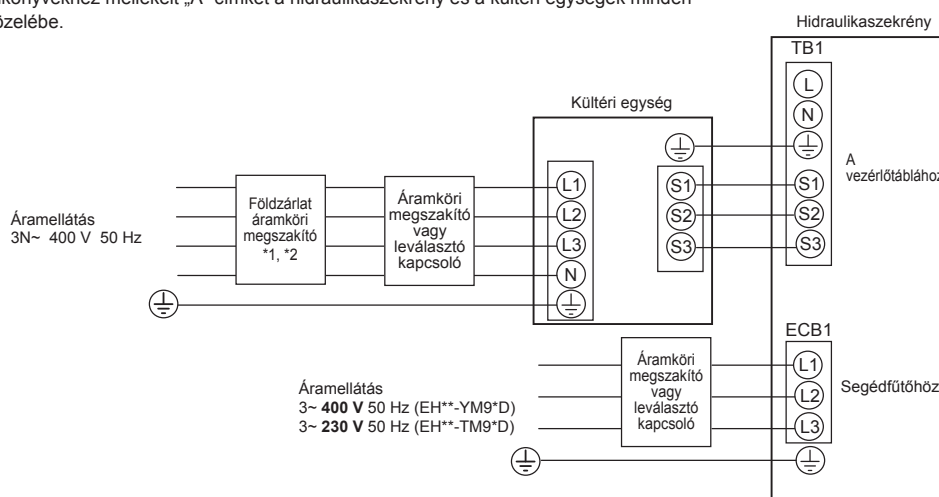


<4.4.2. ábra>
Elektromos csatlakozások, 1 fázis

Leírás	Áramellátás	Teljesítmény	Megszakító	Vezetékezés
Segédűtő	~N 230 V 50 Hz	2 kW	16 A *2	2,5 mm ²
		6 kW	32 A *2	6,0 mm ²

<3 fázis>

Helyezze fel a kézikönyvekhez mellékelt „A” címkét a hidraulikaszelekre és a kültéri egységek minden kapcsolási rajza közelébe.



<4.4.3. ábra>
Elektromos csatlakozások, 3 fázis

Leírás	Áramellátás	Teljesítmény	Megszakító	Vezetékezés
Segédűtő	3~ 400 V 50 Hz	9 kW	16 A *2	2,5 mm ²
	3~ 230 V 50 Hz	9 kW	32 A *2	6,0 mm ²

Vezetékezés Vezeték sz. x méret (mm ²)	Hidraulikaszelekre – Kültéri egység	*3	3 x 1,5 (poláros)
	Hidraulikaszelekre – Kültéri egység földelése	*3	1 x Min. 1,5
Névleges feszültség	Hidraulikaszelekre – Kültéri egység S1 – S2	*4	230 V AC
	Hidraulikaszelekre – Kültéri egység S2 – S3	*4	24 V DC

*1. Ha a beszerelt földzárlat áramköri megszakító nem rendelkezik túláramvédelmi funkcióval, szereljen fel egy ilyen funkcióval rendelkező megszakítót ugyanarra a vezetékre.

*2. Minden egyes pólushoz legalább 3,0 mm-es érintkezőelválasztást biztosító megszakítót kell beépíteni. Használjon földzárlat áramköri megszakítót (NV). Olyan megszakítót kell beszerelni, amely a tápellátás összes aktív fázisvezetékeinek leválasztását biztosítja.

*3. Max. 45 m
2,5 mm² használatakor max. 50 m
2,5 mm² használatakor és S3 leválasztásakor max. 80 m

*4. A fenti táblázatban megadott értékek nem mindig a földelési értékhez képest vannak mérve.

- Megjegyzés:**
- A vezetékezés méretének meg kell felelnie a vonatkozó helyi és nemzeti előírásoknak.
 - A beltéri egység/kültéri egység csatlakozókábele nem lehetnek könnyebbek egy polikloroprén-bevonatú, rugalmas kábelnél. (60245 IEC 57 tervek)
A beltéri egység tápkábele nem lehetnek könnyebbek egy polikloroprén-bevonatú, rugalmas kábelnél. (60227 IEC 53 tervek)
 - A földelőkábel legyen hosszabb a többi kábelnél.
 - Biztosítson elegendő kimeneti kapacitást minden fűtőberendezéshez. A nem megfelelő kapacitás zavart okozhat.

5 A rendszer beállítása

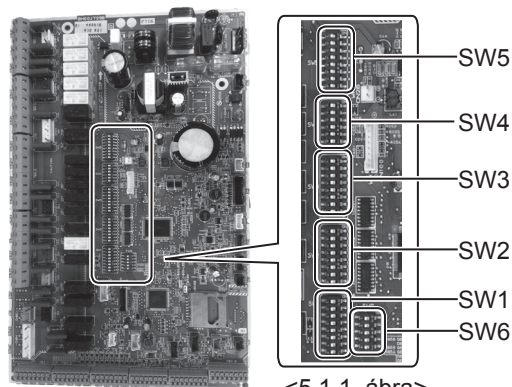
5.1 A DIP-kapcsoló funkciói

A DIP-kapcsoló száma a panelre van nyomtatva a megfelelő kapcsolók mellett. Az ON (BE) felirat a panelre és magára a DIP-kapcsolóblokkra is rá van nyomtatva. A kapcsoló elmozdításához egy szeget vagy egy vékony fémvonalzó sarkát vagy más hasonlót használhat.

A DIP-kapcsoló beállításait a lenti 5.1.1. táblázat tartalmazza.

A DIP-kapcsoló beállítását csak az arra felhatalmazott telepítő változtathatja meg, a telepítési körülményeknek megfelelően és a saját felelősségére.

A kapcsoló beállításának módosítása előtt győződjön meg róla, hogy a beltéri és a kültéri egység áramellátását is kikapcsolta.



<5.1.1. ábra>

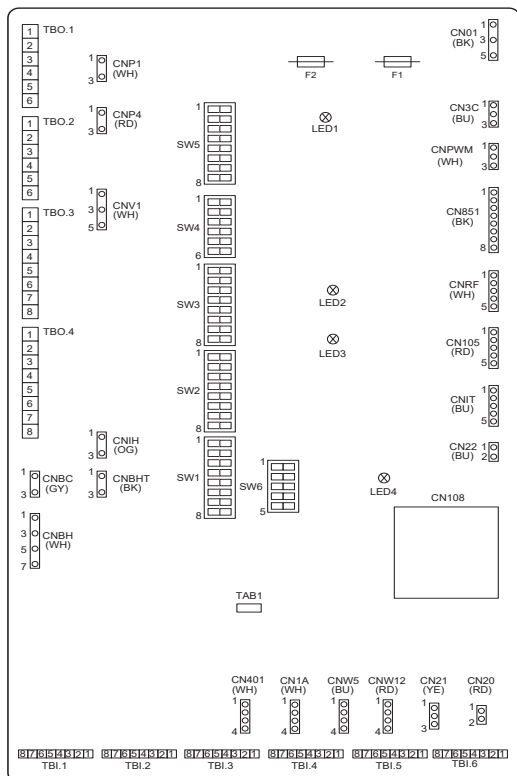
DIP-kapcsoló	Funkció	OFF (KI)	ON (BE)	Alapértelmezett beállítások: Beltéri egység modellje	
SW1	SW1-1 Vízmelegítő	Vízmelegítő NÉLKÜL	Vízmelegítővel	OFF (KI)	
	SW1-2 Hőszivattyú maximális kimeneti vízhőmérséklete	55°C	60°C	ON (BE) *1	
	SW1-3 HMV-tartály	HMV-tartály NÉLKÜL	HMV-tartállyal	OFF (KI)	
	SW1-4 Merülőforraló	Merülőforraló NÉLKÜL	Merülőforralóval	OFF (KI)	
	SW1-5 Segédűfűtő	Segédűfűtő NÉLKÜL	Segédűfűtővel	OFF (KI): E***-MED ON (BE): E***-M2/6/9*D	
	SW1-6 Segédűfűtő funkció	Csak fűtés	Fűtés és HMV	OFF (KI): E***-MED ON (BE): E***-M2/6/9*D	
	SW1-7 Kültéri egység típusa	Osztott típus	Tokozott típus	OFF (KI): Kivéve EHPX-*M**D ON (BE): EHPX-*M**D	
	SW1-8 Vezeték nélküli távvezérlő	Vezeték nélküli távvezérlő NÉLKÜL	Vezeték nélküli távvezérlővel	OFF (KI)	
SW2	SW2-1 Szobatermosztát1 bemenet (IN1) működésének változása	1. zóna működés leállása a termosztát zárásakor	1. zóna működés leállása a termosztát nyitásakor	OFF (KI)	
	SW2-2 Áramláskapcsoló1 bemenet (IN2) működésének változása	Hibaészlelés záraskor	Hibaészlelés nyitaskor	OFF (KI)	
	SW2-3 Segédűfűtő kapacitáskorlátozás	Inaktív	Aktív	OFF (KI): Kivéve E***-VM2D ON (BE): E***-VM2D	
	SW2-4 Hűtési üzemmód funkció	Inaktív	Aktív	OFF (KI): Kivéve ERS*-*M**D ON (BE): ERS*-*M**D	
	SW2-5 Automatikus átkapcsolás a biztonsági hőforrással való működésre (ha a kültéri egység hiba miatt leáll)	Inaktív	Aktív *2	OFF (KI)	
	SW2-6 Keverőtartály	Keverőtartály NÉLKÜL	Keverőtartállyal	OFF (KI)	
	SW2-7 2-zónás hőmérséklet-szabályozás	Inaktív	Aktív *6	OFF (KI)	
	SW2-8 Áramlásérzékelő	Áramlásérzékelő NÉLKÜL	Áramlásérzékelővel	ON (BE)	
SW3	SW3-1 Szobatermosztát 2 bemenet működésének változása	2. zóna működés leállása a termosztát zárásakor	2. zóna működés leállása a termosztát nyitásakor	OFF (KI)	
	SW3-2 2. és 3. áramláskapcsoló bemenet működésének változása	Hibaészlelés záraskor	Hibaészlelés nyitaskor	OFF (KI)	
	SW3-3	—	—	OFF (KI)	
	SW3-4 Elektromos fogyasztásmérő	Elektromos fogyasztásmérő NÉLKÜL	Elektromos fogyasztásmérővel	OFF (KI)	
	SW3-5 Fűtési üzemmód funkció *3	Inaktív	Aktív	ON (BE)	
	SW3-6 2-zónás szelep BE/KI vezérlés	Inaktív	Aktív	OFF (KI)	
	SW3-7 Hőcserélő a HMV-hez	Tekerics a tartályban	Külső lemezes HEX	OFF (KI)	
	SW3-8 Hőmennységmérő	Hőmennységmérő nélkül	Hőmennységmérővel	OFF (KI)	
SW4	SW4-1 Több kültéri egység vezérlése	Inaktív	Aktív	OFF (KI)	
	SW4-2 Több kültéri egység vezérlésének helye *7	Másodlagos	Fő	OFF (KI)	
	SW4-3	—	—	OFF (KI)	
	SW4-4 Használat csak beltéri egységgel (a telepítés során) *4	Inaktív	Aktív	OFF (KI)	
	SW4-5 Vészhelyzeti üzemmód (csak fűtés üzem)	Normál	Vészhelyzeti üzemmód (csak fűtés üzem)	OFF (KI) *5	
	SW4-6 Vészhelyzeti üzemmód (vízmelegítő üzem)	Normál	Vészhelyzeti üzemmód (vízmelegítő üzem)	OFF (KI) *5	
SW5	SW5-1	—	—	OFF (KI)	
	SW5-2 Fejlett automata alkalmazkodás	Inaktív	Aktív	ON (BE)	
	SW5-3	Kapacitáskód			
	SW5-4				
	SW5-5				
	SW5-6				
	SW5-7				
	SW5-8	—	—	—	OFF (KI)
SW6	SW6-1	—	—	OFF (KI)	
	SW6-2	—	—	OFF (KI)	
	SW6-3 Nyomásérzékelő	Inaktív	Aktív	OFF (KI):Kivéve E*SD-*M**D ON (BE):E*SD-*M**D	
	SW6-4 Analóg kimenet	Inaktív	Aktív	OFF (KI)	
	SW6-5	—	—	OFF (KI)	

<5.1.1. táblázat>

Megjegyzés:

- *1. Ha a hidraulikaszeleppel PUMY-P kültéri egységgel van összekötve, melynek maximális kilépő vízhőmérséklete 55°C, a DIP SW1-2 kapcsolót OFF (KI) állásba kell állítani.
 *2. Az OUT11 elérhető lesz. Biztonsági okokból ez a funkció bizonyos hibák esetén nem áll rendelkezésre. (Ebben az esetben le kell állítani a rendszer működését, és csak a vízkeringető szivattyú üzemelhet.)
 *3. Ez a kapcsoló csak akkor működik, ha a hidraulikaszeleppel PUMY-P kültéri egységgel van csatlakoztatva. Ha más típusú kültéri egységhez van csatlakoztatva, akkor a fűtési üzemmód funkció ezen kapcsoló ON (BE) vagy OFF (KI) állásától függetlenül aktív.
 *4. A helyiségfűtés és a HMV csak beltéri egységben működtethető, mint egy elektromos vízmelegítő. (Lásd: „5.4 Használat csak beltéri egységgel” c. részt.)
 *5. Ha a vészhelyzeti üzemmódra már nincs szükség, állítsa a kapcsolót OFF (KI) állásba.
 *6. Csak akkor aktív, ha az SW3-6 kapcsoló OFF (KI) állásba van állítva.
 *7. Csak akkor aktív, ha az SW4-1 kapcsoló ON (BE) állásba van állítva.

5.2 Bemenetek/kimenetek csatlakoztatása



<5.2.1. ábra>

Vezetékezési specifikáció és helyi beszerzésű alkatrészek

Elem	Név	Modell és műszaki adatok
Jelbemenet funkció	Jelbemenet vezeték	Vinilbevonatos kábelt vagy vezetékot használjon. Max. 30 m Vezeték típusa: CV, CVS vagy ennek megfelelő Vezeték mérete: Sodrott vezeték, 0,13 mm ² – 0,52 mm ² Tömör vezeték: ø0,4 mm – ø0,8 mm
	Kapcsoló	Nem feszültségjeles „a” érintkezőjelek Távkapcsoló: minimális névleges terhelés 12V DC, 1mA

Megjegyzés:

A sodrott vezetékot szigetelt sorkapocsléccel kell feldolgozni (DIN46228-4 szabvánnyal kompatibilis típus).

Jelbemenetek

Név	Sorkapocstömb	Csatlakozó	Elem	OFF (KI) (Nyitott)	ON (BE) (Zárt)
IN1	TBI.1 7-8	—	1. szobatermosztát bemenet *1	Lásd: SW2-1 az <5.1 A DIP-kapcsoló funkciói> részben.	
IN2	TBI.1 5-6	—	1. áramláskapcsoló bemenet	Lásd: SW2-2 az <5.1 A DIP-kapcsoló funkciói> részben.	
IN3	TBI.1 3-4	—	2. áramláskapcsoló bemenet (1. zóna)	Lásd: SW3-2 az <5.1 A DIP-kapcsoló funkciói> részben.	
IN4	TBI.1 1-2	—	Igény szerinti vezérlés bemenet	Normál	Hőforrás KI/Vízmelegítő üzem *3
IN5	TBI.2 7-8	—	Kültéri termosztát bemenet *2	Standard üzem	Fűtés üzem/Vízmelegítő üzem *3
IN6	TBI.2 5-6	—	2. szobatermosztát bemenet *1	Lásd: SW3-1 az <5.1 A DIP-kapcsoló funkciói> részben.	
IN7	TBI.2 3-4	—	3. áramláskapcsoló bemenet (2. zóna)	Lásd: SW3-2 az <5.1 A DIP-kapcsoló funkciói> részben.	
IN8	TBI.3 7-8	—	1. elektromos fogyasztásmérő	*4	
IN9	TBI.3 5-6	—	2. elektromos fogyasztásmérő		
IN10	TBI.2 1-2	—	Hőmennyiségmérő		
IN11	TBI.3 3-4	—	Intelligens hálózatba kapcsolható bemenet	*5	
IN12	TBI.3 1-2	—			
INA1	TBI.4 1-3	CN1A	Áramlásérzékelő	—	—

*1. A szobatermosztát BE/KI ciklusidejét állítsa be 10 vagy több percre; ellenkező esetben a kompresszor károsodhat.

*2. Ha kültéri termosztátot használ a fűtőberendezések működésének vezérléséhez, a fűtőberendezések és a kapcsolódó alkatrészek élettartama csökkenhet.

*3. A vízmelegítő működés bekapcsolásához használja a fő távvezérlőt, és válassza ki a „Boiler” (Vízmelegítő) elemet a „External input setting” (Külső bemenet beállítás) képernyőn a szervizmenüben.

*4. Csatlakoztatható elektromos fogyasztásmérő és hőmennyiségmérő

- Impulzus típusa Feszültségmentes érintkező 12V DC érzékeléshez az FTC segítségével (a TBI.2 1. érintkezőn, a TBI.3 5. és 7. érintkezőn pozitív feszültség van.)
- Impulzus időtartama Minimális ON (BE) idő: 40ms
Minimális OFF (KI) idő: 100ms
- Impulzus lehetséges egysége 0,1 impulzus/kWh 1 impulzus/kWh 10 impulzus/kWh
100 impulzus/kWh 1000 impulzus/kWh

Azokat az értékeket a fő távvezérlővel állíthatja be. (Lásd a menüfát a „Fő távvezérlő” c. részben.)

*5. Az intelligens hálózatba kapcsolható funkcióért lásd a webhelyen elérhető kézikönyvet.

Termsztor bemenetek

Név	Sorkapocstömb	Csatlakozó	Elem	Opcionális alkatrész modell
TH1	—	CN20	Termsztor (szobahőm.) (Opció)	PAC-SE41TS-E
TH2	—	CN21	Termsztor (ref. folyadék hőm.)	—
THW1	—	CNW12 1-2	Termsztor (bemenő víz hőm.)	—
THW2	—	CNW12 3-4	Termsztor (visszatérő víz hőm.)	—
THW5B	—	CNW5 3-4	Termsztor (HMV-tartály víz hőm.) (Opció) *1	PAC-TH011TK2-E(5 m)/ PAC-TH011TKL2-E(30 m)
THW6	TBI.5 7-8	—	Termsztor (1. zóna bemenő víz hőm.) (Opció) *1	PAC-TH011-E
THW7	TBI.5 5-6	—	Termsztor (1. zóna visszatérő víz hőm.) (Opció) *1	PAC-TH011-E
THW8	TBI.5 3-4	—	Termsztor (2. zóna bemenő víz hőm.) (Opció) *1	PAC-TH011-E
THW9	TBI.5 1-2	—	Termsztor (2. zóna visszatérő víz hőm.) (Opció) *1	PAC-TH011-E
THW10	TBI.6 5-6	—	Termsztor (keverőtartály víz hőm.) (Opció) *1	PAC-TH012HT-E(5 m)/ PAC-TH012HTL-E(30 m)
THWB1	TBI.6 7-8	—	Termsztor (vízmelegítő bemenő víz hőm.) (Opció) *1	PAC-TH012HT-E(5 m)/ PAC-TH012HTL-E(30 m)

Ügyeljen rá, hogy a termsztorvezetékek távol legyenek az áramellátó vezetéktől és/vagy az OUT1 – 16 közötti vezetékektől.

*1. A termsztorvezeték maximális hossza 30 m lehet. Amikor a vezeték szomszédos csatlakozásokhoz vannak vezetve, használjon gyűrűs csatlakozásokat, és szigetelje a vezetékeket.

Az opcionális termsztoroknál a hossz 5 m. Ha össze kell forrasztani és meg kell hosszabbítani a vezetékeket, a következő pontokra kell odafigyelni.

- 1) Forrasztással kösse össze a vezetékeket.
- 2) Minden csatlakozási pontot szigeteljen por és víz ellen.

5 A rendszer beállítása

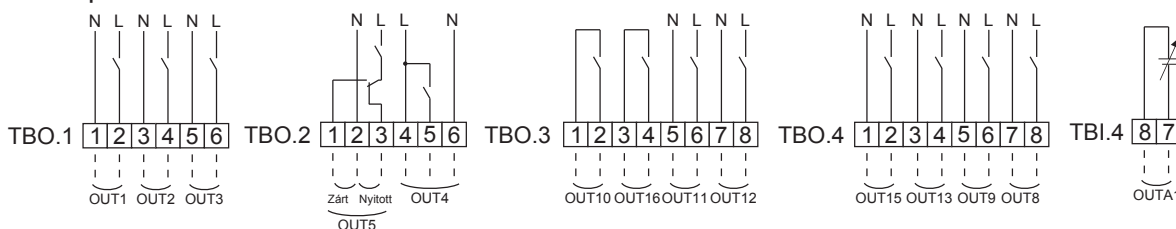
Kimenetek

Név	Sorkapocstömb	Csatlakozó	Elem	OFF (KI)	ON (BE)	Jel/Max. áramerősség	Max. teljes áramerősség
OUT1	TBO.1 1-2	CNP1	1. vízkeringető szivattyú kimenet (Helyiségfűtés/-hűtés és HMV)	OFF (KI)	ON (BE)	230V AC 1,0A max. (Bekapcsolási túláram 40A max.)	4,0A (a)
OUT2	TBO.1 3-4	—	2. vízkeringető szivattyú kimenet (1. zóna helyiségfűtés/-hűtés)	OFF (KI)	ON (BE)	230V AC 1,0A max. (Bekapcsolási túláram 40A max.)	
OUT3	TBO.1 5-6	—	3. vízkeringető szivattyú kimenet (2. zóna helyiségfűtés/-hűtés) *1	OFF (KI)	ON (BE)	230V AC 1,0A max. (Bekapcsolási túláram 40A max.)	
OUT14	—	CNP4	4. vízkeringető szivattyú kimenet (HMV)	OFF (KI)	ON (BE)	230V AC 1,0A max. (Bekapcsolási túláram 40A max.)	
OUT4	TBO.2 4-6	CNV1	3-utas szelep (1. 2-utas szelep) kimenet	Fűtés	HMV	230V AC 0,1A max.	3,0A (b)
	—	CN851	3-utas szelep kimenet				
OUT5	TBO.2 1-2	—	Keverőszelep kimenet *1	Áll	Zárt	230V AC 0,1A max.	
	TBO.2 2-3			Nyitott			
OUT6	—	CNBH 1-3	1. segédűtő kimenete	OFF (KI)	ON (BE)	230V AC 0,5A max. (relé)	
OUT7	—	CNBH 5-7	2. segédűtő kimenete	OFF (KI)	ON (BE)	230V AC 0,5A max. (relé)	
OUT8	TBO.4 7-8	—	Hűtés jelkimenet	OFF (KI)	ON (BE)	230V AC 0,5A max.	
OUT9	TBO.4 5-6	CNIH	Merülőforraló kimenet	OFF (KI)	ON (BE)	230V AC 0,5A max. (relé)	
OUT11	TBO.3 5-6	—	Hibakimenet	Normál	Hiba	230V AC 0,5A max.	
OUT12	TBO.3 7-8	—	Kioldás kimenet	Normál	Kioldás	230V AC 0,5A max.	
OUT13	TBO.4 3-4	—	2 utas szelep 2a kimenet *2	OFF (KI)	ON (BE)	230V AC 0,1A max.	
OUT15	TBO.4 1-2	—	Komp. BE jel	OFF (KI)	ON (BE)	230V AC 0,5A max.	
OUT10	TBO.3 1-2	—	Vízmelegítő kimenet	OFF (KI)	ON (BE)	nem feszültségjeles érintkező	—
OUT16	TBO.3 3-4	—	Fűtés/hűtés termosztát BE jel	OFF (KI)	ON (BE)	· 220-240V AC (30V DC) · 0,5A vagy kevesebb · 10mA 5V DC vagy több	
OUTA1	TBI.4 7-8	—	Analog kimenet	0 V-10 V		0-10V DC 5mA max.	—

Ne csatlakoztassa a „Terminal block” (Sorkapocstömb) oszlopban „—” jelzéssel ellátott sorkapcsokat.

*1 2-zónás hőmérséklet-szabályozóhoz.

*2 2-zónás szelep BE/KI vezérléshez.



A TBO.1 - 4 használata

Vezetékezőspecifikáció és helyi beszerzésű alkatrészek

Elem	Név	Modell és műszaki adatok
Külső kimenet funkció	Kimeneti vezeték	Vinilbevonatos kábelt vagy vezeték használjon. Max. 30 m Vezeték típusa: CV, CVS vagy ennek megfelelő Vezeték mérete: Sodrott vezeték: 0,25 mm ² – 1,5 mm ² Tömör vezeték: 0,25 mm ² – 1,5 mm ²



Csatlakoztassa őket a fenti módok egyikét használva.
<5.2.2. ábra>

Megjegyzés:

- Amikor a hidraulikaszekrény az áramellátást a kültéri egységen keresztül kapja, az (a)+(b) maximális összáram 3,0 A.
- Ne csatlakoztasson több vízkeringető szivattyút közvetlenül az egyes kimenetekhez (OUT1, OUT2 és OUT3). Ilyen esetben a csatlakoztatást relén keresztül végezze.
- Ne csatlakoztasson vízkeringető szivattyúkat egyszerre a TBO.1 1-2 és a CNP1 kimenethez.
- A helyszíni terhelés függvényében csatlakoztasson egy megfelelő túlfeszültség-levezetőt az OUT10 kimenethez (TBO.3 1-2).
- A sodrott vezeték szigetelt sorkapocsléccsel kell feldolgozni (DIN46228-4 szabvánnyal kompatibilis típus).
- Ugyanazt a dolgot használja, mint az OUTA1 jelbemenet vezetékezéshez.

5.3 Bekötés 2-zónás hőmérséklet-szabályozóhoz

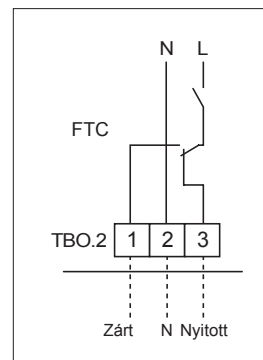
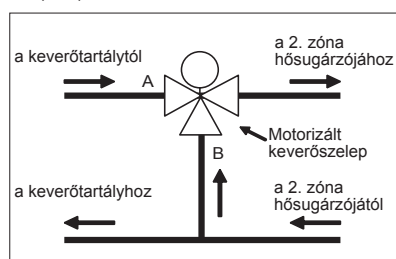
Csatlakoztassa a csővezetékeket és a helyileg beszerzett alkatrészeket a vonatkozó áramköri rajznak megfelelően (lásd a jelen kézikönyv 3. Szakaszának „Helyi rendszer” ábráját).

<Keverőszelep>

Csatlakoztassa a nyitott A porthoz (melegvízes bemeneti port) menő jelvezetékét a TBO. 2-3 (Nyitott)-hoz, a nyitott B porthoz (hidegvízes bemeneti port) menő jelvezetékét a TBO. 2-1 (Zárt)-hoz, és a semleges sorkapocs vezetékét a TBO. 2-2 (N)-hez.

<Termisztor>

- Ne szerelje a termisztorokat a keverőtartályra.
 - Szerelje fel a 2. zóna bemenő hőm. termisztor (THW8) a keverőszelep közelébe.
 - A termisztor vezetékének maximális hossza 30 m lehet.
 - Az opcionális termisztoroknál a hossz 5 m. Ha össze kell forrasztani és meg kell hosszabbítani a vezetékeket, a következő pontokra kell odafigyelni.
- Forrasztással kösse össze a vezetékeket.
 - Minden csatlakozási pontot szigeteljen por és víz ellen.



5 A rendszer beállítása

5.4 Használat csak beltéri egységgel (a telepítés során)

Abban az esetben, ha a kültéri egység csatlakoztatása előtt melegvíz vagy fűtés szükséges; azaz a telepítés során, egy elektromos fűtőegység használható a beltéri egységben (*1).

*1 Modell csak elektromos fűtéssel.

1. A használat megkezdése

- Ellenőrizze, hogy a beltéri egység tápellátása KI van-e kapcsolva, és kapcsolja ON (BE) állásba a 4-4 és 4-5 DIP-kapcsolót.
- Kapcsolja BE a beltéri egység tápellátását.

2. A használat befejezése *2

- Kapcsolja KI a beltéri egység tápellátását.
- Kapcsolja OFF (KI) állásba a 4-4 és 4-5 DIP-kapcsolót.

*2 Ha a használat csak beltéri egységgel befejeződik, feltétlenül ellenőrizze a beállításokat a kültéri egység csatlakoztatása után.

Megjegyzés:

A hosszabb idejű használat ilyen üzemmódban befolyásolhatja az elektromos fűtőberendezés élettartamát.

5.5 Az SD-memóriakártya használata

A hidraulikuszekrény SD-memóriakártya interfésszel van felszerelve az FTC-ben.

Az SD-memóriakártya használatával egyszerűsítheti a fő távvezérlő beállításait, és tárolhatja a működési naplókat. *1

*1 A fő távvezérlő beállításainak szerkesztéséhez és a működési adatok ellenőrzéséhez Ecodan szervizeszköz (PC-vel) használata javasolt.






<A kezelésre vonatkozó óvintézkedések>

- (1) Az SD-szabványoknak megfelelő SD-memóriakártyát használjon. Ellenőrizze, hogy az SD-memóriakártyán megtalálható-e a jobb oldalon látható logó.
- (2) Az SD-szabványoknak megfelelő SD-memóriakártyák közé az SD, az SDHC, a miniSD, a micro SD és a microSDHC memóriakártyák tartoznak. A kapacitás akár 32 GB is lehet. Akár maximálisan 55°C hőmérsékleten is használható típust válasszon.
- (3) Ha az SD-memóriakártya miniSD, miniSDHC, microSD vagy micro SDHC memóriakártya, használjon átalakító adaptert az SD-memóriakártyához.
- (4) Oldja ki az írásvédelem kapcsolót az SD-memóriakártyára való írás előtt.



- (5) Az SD-memóriakártya behelyezése vagy kiadása előtt ügyeljen rá, hogy kikapcsolja a rendszert. Ha egy SD-memóriakártyát bekapcsolt rendszer mellett helyez be vagy távolít el, a tárolt adatok megsérülhetnek, vagy károsodhat az SD-memóriakártya.
*Az SD-memóriakártya a rendszer kikapcsolása után rövid ideig áramellátás alatt van. A behelyezés vagy eltávolítás előtt várjon, amíg az FTC vezérlőpanelen lévő összes LED lámpa teljesen kialszik.
- (6) Az olvasási és írási műveleteket az alábbi SD-memóriakártyák segítségével lettek ellenőrizve, azonban ezek a műveletek nem mindig garantálhatók, mert az SD-memóriakártyák specifikációja változhat.

- (7) Ügyeljen az SD-memóriakártya gyártója utasításainak és követelményeinek betartására.
- (8) Formázza meg az SD-memóriakártyát, ha a (6) lépésben az nem olvashatóan adódik. Ezzel olvashatóvá alakíthatja azt. Töltse le az SD-kártya formázó eszközt a következő webhelyről. Az SD Association honlapja: <https://www.sdcard.org/home/>
- (9) Az FTC a FAT-fájlrendszert támogatja, az NTFS-fájlrendszert nem.
- (10) A Mitsubishi Electric részleges és teljes felelősséget sem vállal semmilyen kárért, beleértve az SD-memóriakártyára történő írás sikertelenségét, a mentett adatok megrongálódását vagy elvesztését, és más hasonlót. Szükség esetén készítsen biztonsági másolatot a mentett adatokról.
- (11) Az SD-memóriakártya behelyezésekor vagy eltávolításakor ne érjen az FTC-vezérlőn lévő egyik elektronikus alkatrészhez sem, vagy a vezérlő meghibásodhat.

Logók
  
  
Kapacitás
2 GB – 32 GB *2
SD-sebességsztályok
Mind

- Az SD logó az SD-3C, LLC. védjegye.
- A miniSD logó az SD-3C, LLC. védjegye.
- A microSD logó az SD-3C, LLC. védjegye.

*2 A 2 GB-os SD-memóriakártya legfeljebb 30 napnyi működési naplót tud tárolni.

Gyártó	Modell	Tesztelve:
Verbatim	#44015	2012. március
SanDisk	SDSDB-002G-B35	2011. október
Panasonic	RP-SDP04GE1K	2011. október
Arvato	2GB PS8032 TSB 24nm MLC	2012. június
Arvato	2GB PS8035 TSB A19nm MLC	2014. július
SanDisk	SDSDUN-008G-G46	2016. október
Verbatim	#43961	2016. október
Verbatim	#44018	2016. október
VANTASTEK	VSDHC08	2017. szeptembere

Új SD-memóriakártya (beleértve az egységhez mellékelt kártyát is) használata előtt mindig ellenőrizze, hogy az SD-memóriakártya biztonságosan olvasható és írható az FTC-vezérlővel.

<Az olvasási és írási műveletek ellenőrzése>

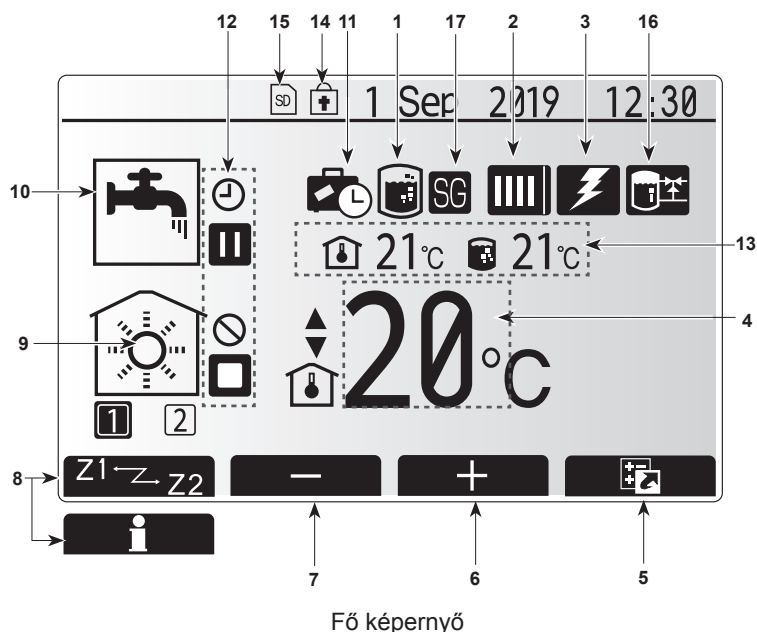
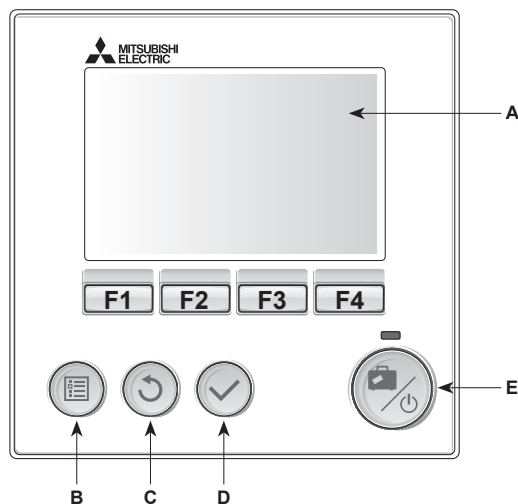
- a) Ellenőrizze az áramellátás megfelelő vezetékvezetését a rendszernél.
További részletekért lásd a 4.4. fejezetet.
(Ne kapcsolja be a rendszert ezen a ponton.)
- b) Helyezzen be egy SD-memóriakártyát.
- c) Kapcsolja be a rendszert.
- d) A LED4 jelzőlámpa folyamatosan világít, amikor az olvasási és írási műveletek sikeresen befejeződtek. Ha a LED4 jelzőlámpa tovább villog vagy nem gyullad ki, az SD-memóriakártya nem olvasható vagy írható az FTC-vezérlő által.

5 A rendszer beállítása

5.6 Fő távvezérlő

Fűtő-/hűtőrendszere beállításainak módosításához használja a hengeregység vagy a hidraulikuszekrény elülső paneljén lévő fő távvezérlőt. Az alábbiakban a fő beállítások megtekintésére szolgáló útmutató található. Amennyiben további információra van szüksége, vegye fel a kapcsolatot a telepítővel vagy a helyi Mitsubishi Electric kereskedővel.

A hűtési üzemmód csak az ERS sorozatban érhető el. A hűtési üzemmód ugyanakkor nem érhető el abban az esetben, ha a beltéri egység PUAH-FRP egységhez van csatlakoztatva.



<A fő távvezérlő alkatrészei>

Betű	Név	Funkció
A	Képernyő	Az összes információt megjelenítő képernyő.
B	Menü	Hozzáférés a kezdeti beállítások és módosítások rendszerbeállításaihoz.
C	Vissza	Vissza az előző menübe.
D	Megerősítés	Kiválasztásra vagy mentésre szolgál. (Enter billentyű)
E	Bekapcsoló/nyaralás gomb	A rendszer kikapcsolt állapotból egy gombnyomással BEKAPCSOLHATÓ. A rendszer bekapcsolt állapotában ismét megnyomva aktiválódik a „nyaralás üzemmód”. A gombot 3 mp-ig nyomva tartva a rendszer kikapcsol. (*1)
F1-4	Funkciógombok	A menü átlapozására és a beállítások módosítására szolgál. A funkciót az A képernyőn látható menüképernyő határozza meg.

*1

A rendszer kikapcsolt állapotában vagy lecsatlakoztatott tápforrás esetén a beltéri készülék védelmi funkciója (pl. fagyás stat. funkció) NEM üzemel. Kérjük, tartsa szem előtt, hogy ha ezek a biztonsági funkciók nincsenek bekapcsolva, a beltéri egység károsodhat.

<A fő képernyő ikonjai>

Ikon	Leírás
1	Legionella-megelőzés Ha ez az ikon látható, a „Legionella-megelőző üzemmód” aktív.
2	Hőszivattyú A „hőszivattyú” üzemel. Felolvasztás Vészhelyzeti fűtés Be van kapcsolva a „Halk üzemmód”.
3	Elektromos fűtőegység Ha ez az ikon látható, az „elektromos fűtőegységek” (segéd vagy merülőforraló) használatban vannak.
4	Cél-hőmérséklet Bemenő célhőmérséklet Cél-helyiség-hőmérséklet Kompenzációs görbe
5	OPCIÓK Az ikon alatti funkciógomb megnyomásával megjelenik az opciók képernyő.
6	+ Kívánt hőmérséklet növelése.
7	- Kívánt hőmérséklet csökkentése.
8	Z1 ↔ Z2 Az ikon alatti funkciógomb megnyomásával válthat az 1. zóna és a 2. zóna között. Információk Az ikon alatti funkciógomb megnyomásával megjelenik az információs képernyő.
9	Helyiségfűtési (-hűtési) üzemmód Fűtési üzemmód 1. zóna vagy 2. zóna Hűtési üzemmód 1. zóna vagy 2. zóna
10	HMV-üzemmód Normál vagy ECO-üzemmód
11	Nyaralás üzemmód Ha ez az ikon látható, a „Nyaralás üzemmód” aktív.
12	Időzítő Tilos Szerveres vezérlés Készenlét Készenlét (*2) Áll Üzemel
13	Aktuális hőmérséklet Aktuális helyiség-hőmérséklet A HMV-tartály vízének aktuális hőmérséklete
14	A Menü gomb le van zárva vagy a HMV és a fűtési üzemmódok közötti váltás az Opciók képernyőn le van tiltva. (*3)
15	SD SD SD-memóriakártya (NEM a felhasználónak) behelyezve.
16	Puffertartály vezérlés Ha ez az ikon látható, a „Buffer tank control” (Puffertartály vezérlés) aktív.
17	Intelligens hálózatba kapcsolható Ha az ikon látható, a „Smart grid ready” (Intelligens hálózatba kapcsolható) funkció aktív.

*2 Ez az egység készenlétben van, míg más beltéri egység(ek) prioritás szerint üzemel(nek).

*3 A Menü feloldásához vagy lezárásához 3 mp-ig tartsa lenyomva egyszerre a VISSZA és a MEGERŐSÍTÉS gombot.

5 A rendszer beállítása

■ [Initial setting wizard] (Kezdeti beállítás varázsló)

Amikor a fő vezérlőegységet először kapcsolja be, a képernyő automatikusan sorrendben a Language setting (Nyelvbeállítás) képernyőre, a Date/Time setting (Dátum/Idő beállítása) képernyőre és a Main settings (Fő beállítások) menüképernyőre lép. Írja be a kívánt számot a funkciógombok segítségével, majd nyomja meg a [CONFIRM] (Megerősítés) gombot.

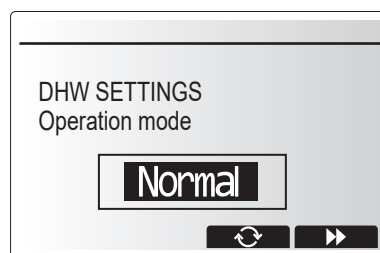
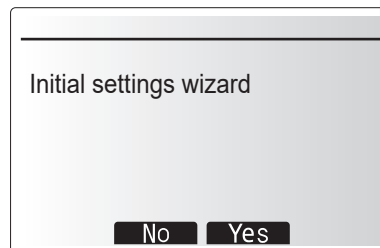
Megjegyzés:

<[HEATER CAPACITY RESTRICTION]> (Fűtőberendezés kapacitáskorlátozás)

Ez a beállítás korlátozza a segédűtő-berendezés teljesítményét. A beindítás után a beállítás módosítása NEM lehetséges.

Ha nincsenek speciális követelmények (például építési előírások) az adott országban, hagyja ki ezt a beállítást (válassza a „No” (Nem) lehetőséget).

- [Hot water (DHW/Legionella)] (Meleg víz (HMV)/Legionella)
- [Heating]/[Cooling] (Fűtés/hűtés)
- [Operation (ON/Prohibited/Timer)] (Működés (BE/Tiltott/Időzítő))
- [Pump speed] (Szivattyú fordulatszám)
- [Heat pump flow rate range] (Hőszivattyú áramlási sebességtartomány)
- [Mixing valve control] (Keverőszelep vezérlése)
- [HEATER CAPACITY RESTRICTION] (Fűtőberendezés kapacitáskorlátozás)



■ Fő beállítások menü

A fő beállítások menü a [MENU] (Menü) gomb megnyomásával érhető el. A beállítások képzetlen végfelhasználók általi véletlen módosításának kockázatát csökkentendő a fő beállításokhoz két hozzáférési szint van és a szervizszakasz menü jelszóval védett.

Felhasználói szint – Rövid megnyomás

Ha a [MENU] (Menü) gombot rövid ideig egyszer megnyomja, akkor megjelennek a fő beállítások a szerkesztési funkció nélkül. Ez a felhasználó számára lehetővé teszi az aktuális beállítások megtekintését, de a paraméterek módosítását NEM.

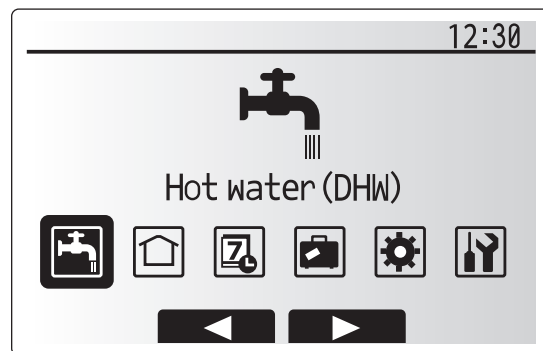
Telepítői szint – Hosszú megnyomás

Ha a [MENU] (Menü) gombot 3 másodpercig lenyomva tartja, megjelennek a fő beállítások, minden elérhető funkcióval együtt.

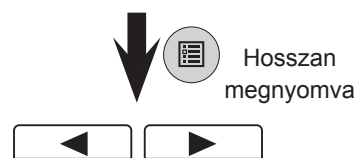
A ◀▶ gombok színe a jobb oldali ábrán látható módon megfordul. <5.6.1. ábra>.

A következő elemek tekinthetők meg és/vagy szerkeszthetők (hozzáférési szinttől függően).

- [Domestic Hot water (DHW)] (Háztartási melegvíz (HMV))
- [Heating/Cooling] (Fűtés/hűtés)
- [Schedule timer] (Ütemezésidőzítő)
- [Holiday mode] (Nyaralás üzemmód)
- [Initial settings] (Kezdeti beállítások)
- [Service (Password protected)] (Szerviz (jelszóval védett))



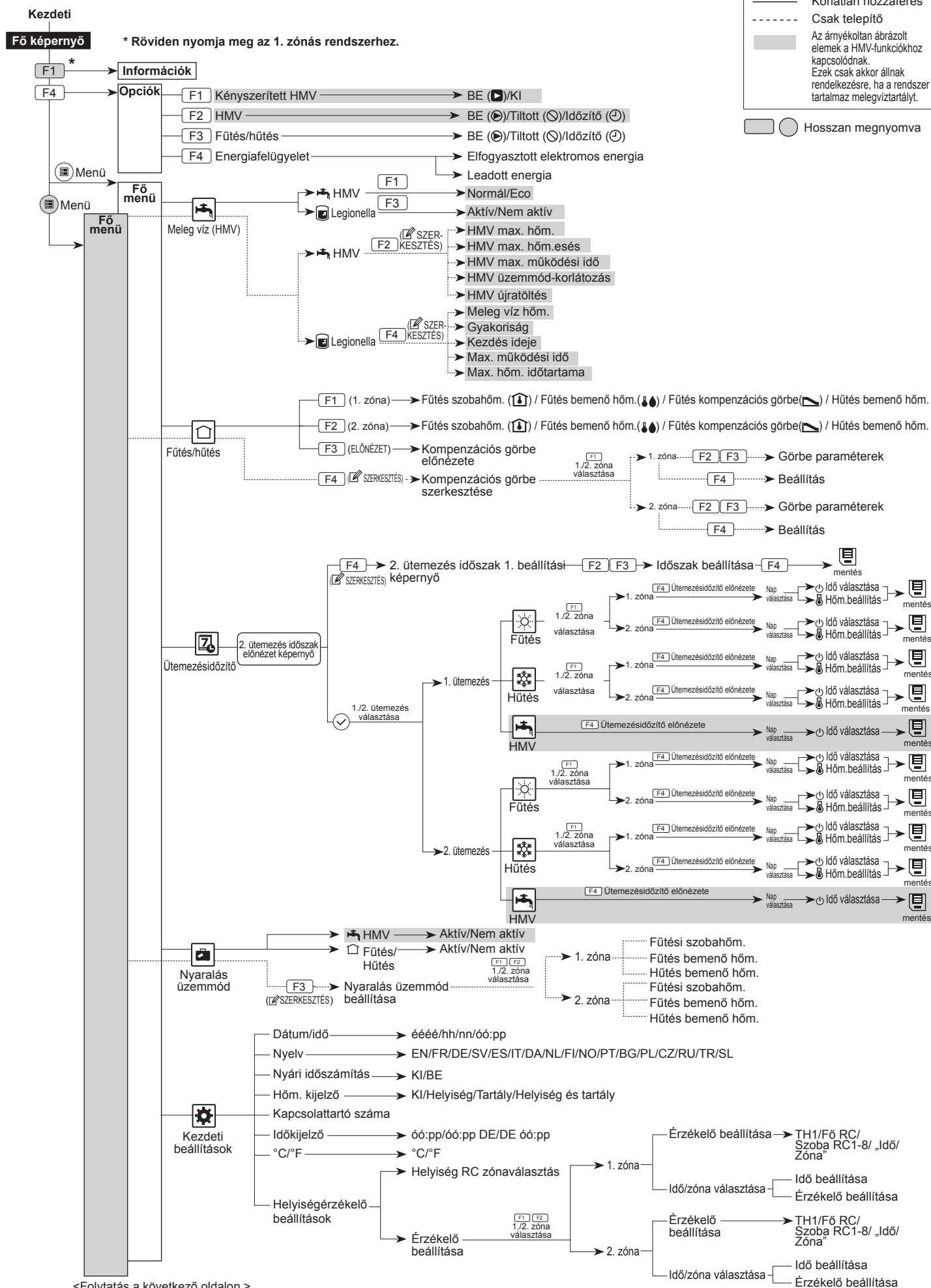
Főmenü



<5.6.1. ábra>

5 A rendszer beállítása

<A fő vezérlőegység menüjének felépítése>



- Korlátlan hozzáférés
- - - Csak telepítő
- Az ábrán látható elemek a HMV-funkciókhoz kapcsolódnak. Ezek csak akkor állnak rendelkezésre, ha a rendszer tartalmaz melegvíztartályt.
- Hosszan megnyomva

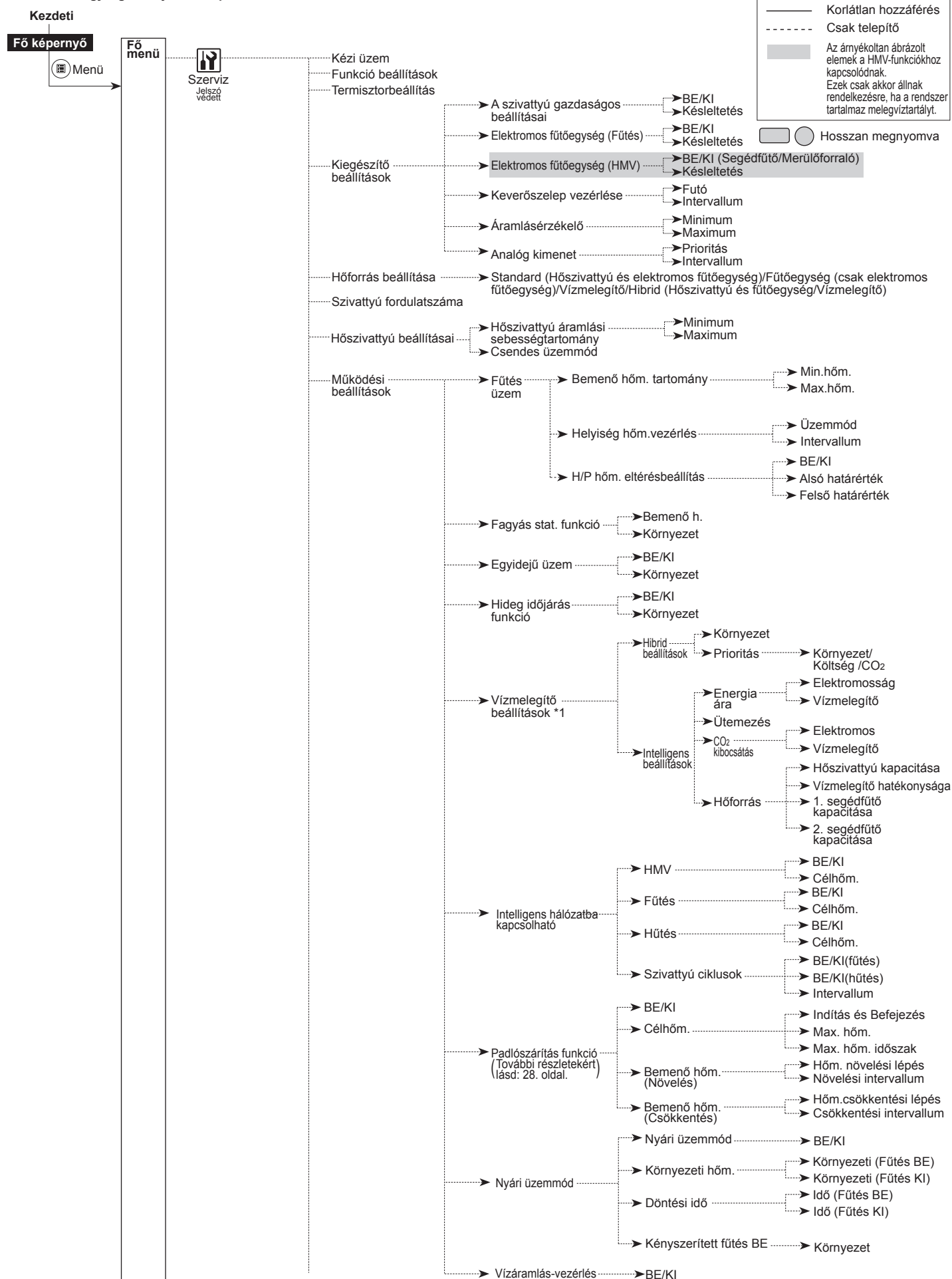
<Folytatás a következő oldalon.>

hu

5 A rendszer beállítása

<Folytatás az előző oldalról.>

<A fő vezérlőegység menüjének felépítése>



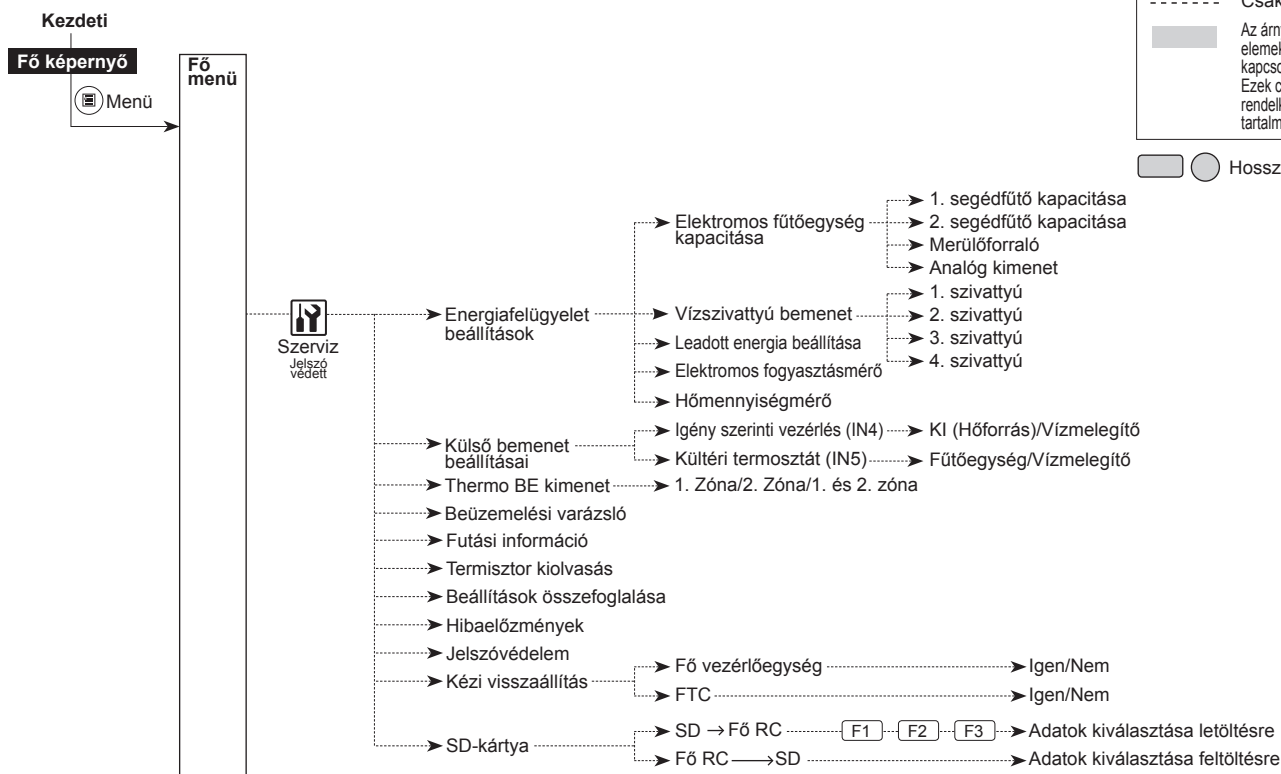
<Folytatás a következő oldalon.>

*1 További részletekért lásd a PAC-TH012HT(L)-E telepítési kézikönyvét.

5 A rendszer beállítása

<Folytatás az előző oldalról.>

<A fő vezérlőegység menüjének felépítése>



Háztartási melegvíz (HMV)/Legionella-megelőzés

Az otthoni melegvíz és a legionellamegelőzés menük a HMV-tartály melegítésének működését vezérlik.

<HMV-üzemmód beállítások>

- Jelölje ki a melegvíz ikont, és nyomja meg a [CONFIRM] (Megerősítés) gombot.
- Az F1 gombbal váltson át Normal (Normál) és ECO fűtési üzemmódok között.
- Az üzemmód szerkesztéséhez nyomja meg 3 másodpercre a [MENU] (Menü) gombot, majd válassza ki a „hot water” (meleg víz) lehetőséget.
- Nyomja meg az F2 gombot a [HOTWATER (DHW) SETTING] (Melegvíz (HMV) beállítás) menü megjelenítéséhez.
- Az F2 és F3 gombokkal görgessen végig a menün, és a [CONFIRM] (Megerősítés) gomb megnyomásával sorban válassza ki az egyes összetevőket. Az egyes beállítások leírásához lásd a következő táblázatot.
- Írja be a kívánt számot a funkciógombok segítségével, majd nyomja meg a [CONFIRM] (Megerősítés) gombot.



Menü felirat	Funkció	Tartomány	Mértékegység	Alapértelmezett érték
HMV max. hőm.	A tárolt melegvíz kívánt hőmérséklete	40–60	°C	50
HMV max. hőm. esés	A HMV max. hőmérséklete és azon hőmérséklet különbsége, amelynél a HMV-üzemmód újraindul	5–30 *	°C	10
HMV max. működési idő	Max. engedélyezett idő a tárolt víz HMV-üzemmódban való melegítésére	30–120	perc	60
HMV üzemmód-korlátozás	A HMV-üzemmód utáni időtartam, ami alatt a helyiségfűtés elsőbbséget élvez a HMV-üzemmód felett, és ideiglenesen megakadályozza a tárolt víz további melegítését (Csak amikor a HMV max. működési idő letelt.)	30–120	perc	30

* Amikor a HMV max. hőm 55°C felettre van állítva, a készülék védelme érdekében a HMV-üzemmód újraindítási hőmérsékletnek 50°C alatt kell lennie.

<Eco mód>

A HMV-üzemmód „Normál” vagy „Eco” módban is működtethető. A normál mód a hőszivattyú teljes teljesítményével gyorsabban melegíti a HMV-tartályban lévő vizet. Eco módban a víz felmelegítése a HMV-tartályban hosszabb időt vesz igénybe, de kevesebb az ehhez felhasznált energia. Ennek oka, hogy az FTC a HMV-tartály mért hőmérséklete alapján korlátozza a hőszivattyú működését.

Megjegyzés: Az Eco módban ténylegesen megtakarított energia a külső környezeti hőmérséklet függvényében változik.

<[DHW recharge]> (HMV újratöltés)

Válassza ki a HMV tartály mennyiségét. Ha több melegvízre van szüksége, válassza a [LARGE] (Nagy) lehetőséget.

Térjen vissza a HMV/legionella-megelőzés menübe.

5 A rendszer beállítása

Legionella-megelőző üzemmód beállítások (LP-üzemmód)

- Az F3 gombbal válassza ki: legionella üzemmód aktív [YES/NO] (Igen/Nem).
- A legionella funkció szerkesztéséhez nyomja meg 3 másodpercre a [MENU] (Menü) gombot, és válassza ki a „hot water” (meleg víz) lehetőséget, majd nyomja meg az F4 gombot.
- Az F1 és F2 gombokkal görgessen végig a menün, és a [CONFIRM] (Megerősítés) gomb megnyomásával sorban válassza ki az egyes alpontokat. Az egyes beállítások leírásához lásd a következő táblázatot.
- Írja be a kívánt számot a funkciógombok segítségével, majd nyomja meg a [CONFIRM] (Megerősítés) gombot.

Legionella-megelőző üzemmódban a tárolt víz hőmérséklete 60°C fölé van növelve, hogy megakadályozza a legionella baktérium szaporodását. Ezt erősen ajánlott rendszeres időközönként elvégezni. A melegítés javasolt gyakoriságával kapcsolatban ellenőrizze a helyi előírásokat.

Megjegyzés: Ha a hidraulikaszekrényben hiba történik, előfordulhat, hogy az LP-üzemmód nem fog megfelelően működni.

Menü felirat	Funkció	Tartomány	Mértékegység	Alapértelmezett érték
Meleg víz hőm.	A tárolt melegvíz kívánt hőm.	60–70	°C	65
Gyakoriság	LP üzemmód HMV tartály melegítés közötti idő	1–30	nap	15
Kezdés ideje	Az időpont, amikor az LP-üzemmód elindul	0:00–23:00	–	03:00
Max. működési idő	LP-üzemmódban a HMV-tartálymelegítésre maximálisan engedélyezett idő	1–5	óra	3
Max. hőm. időtartama	LP-üzemmódban a kívánt vízhőm. elérése utáni tartási idő	1–120	perc	30

Vegye figyelembe, hogy az LP-üzemmód az elektromos fűtőberendezéseket használja a hőszivattyú energiabevitelének kiegészítéséhez. A hosszú ideig tartó vízmelegítés nem hatékony és növeli a működési költségeket. A telepítőnek gondosan mérlegelnie kell a legionella-megelőző kezelés szükségességét, hogy a tárolt víz túlzott felmelegítésével ne pazarolja az energiát. A végfelhasználónak meg kell értenie ezen funkció fontosságát. **MINDIG TARTSA MAGÁT AZ ADOTT ORSZÁG HELYI ÉS NEMZETI LEGIONELLA-MEGELŐZÉS IRÁNYELVEIHEZ.**

[Initial settings] (Kezdeti beállítások)

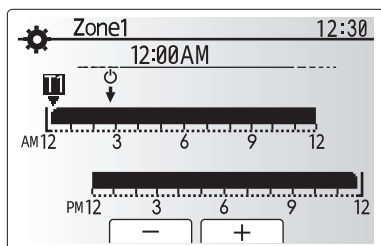
Az Initial settings (Kezdeti beállítások) menüben a telepítő beállíthatja a következő elemeket.

- [Date/Time] (Dátum/idő) *Állítsa be a helyi időnek megfelelően.
- [Language] (Nyelv)
- [Summer time] (Nyári időszámítás)
- [Temp. Display] (Hőm. kijelző)
- [Contact number] (Kapcsolattartó száma)
- [Time display] (Időjelző)
- [°C/°F]
- [Room sensor settings] (Helyiségérzékelő beállításai)

A beállítási művelethez kövesse az Általános üzemeltetés című fejezetben leírt eljárást.

<[Room sensor settings]> (Helyiségérzékelő beállításai)

A helyiségérzékelő beállításaihoz fontos a megfelelő helyiségérzékelőnek a használni kívánt fűtési üzemmód függvényében való kiválasztása.



Idő/zóna ütemezés beállítása képernyő

Menü felirat	Leírás																							
Helyiség RC zónaválasztás	Ha a 2-zónás hőmérséklet-szabályozás aktív és vezeték nélküli távvezérlők érhetők el, a Helyiség RC zónaválasztó képernyőn válassza ki a zóna számát az egyes fő távvezérlők hozzárendeléséhez.																							
Érzékelő beállítása	<p>Az érzékelő beállítása képernyőn válasszon ki egy helyiségérzékelőt az 1. zóna és a 2. zóna helyiség hőmérsékletének külön történő figyeléséhez.</p> <table border="1"> <thead> <tr> <th rowspan="2">Vezérlés opció (Lásd a webhelyen elérhető kézikönyvet)</th> <th colspan="2">Megfelelő kezdeti beállítások helyiségérzékelő</th> </tr> <tr> <th>1. zóna</th> <th>2. zóna</th> </tr> </thead> <tbody> <tr> <td>A</td> <td>Helyiség RC 1-8 (egy-egy az 1. zóna és a 2. zóna számára)</td> <td>*1</td> </tr> <tr> <td>B</td> <td>TH1</td> <td>*1</td> </tr> <tr> <td>C</td> <td>Fő távvezérlő</td> <td>*1</td> </tr> <tr> <td>D</td> <td>*1</td> <td>*1</td> </tr> </tbody> </table> <p>Ha az időütemezésnek megfelelően különböző helyiségérzékelők vannak használatban</p> <table border="1"> <thead> <tr> <th></th> <th>Idő/ Zóna*2</th> <th>*1</th> </tr> </thead> <tbody> <tr> <td></td> <td></td> <td></td> </tr> </tbody> </table>	Vezérlés opció (Lásd a webhelyen elérhető kézikönyvet)	Megfelelő kezdeti beállítások helyiségérzékelő		1. zóna	2. zóna	A	Helyiség RC 1-8 (egy-egy az 1. zóna és a 2. zóna számára)	*1	B	TH1	*1	C	Fő távvezérlő	*1	D	*1	*1		Idő/ Zóna*2	*1			
Vezérlés opció (Lásd a webhelyen elérhető kézikönyvet)	Megfelelő kezdeti beállítások helyiségérzékelő																							
	1. zóna	2. zóna																						
A	Helyiség RC 1-8 (egy-egy az 1. zóna és a 2. zóna számára)	*1																						
B	TH1	*1																						
C	Fő távvezérlő	*1																						
D	*1	*1																						
	Idő/ Zóna*2	*1																						
	<p>*1. Nincs meghatározva (helyi beszerzésű szobatermosztát használatakor) Helyiség RC 1-8 (egy-egy az 1. zóna és a 2. zóna számára) (vezeték nélküli távirányító szobatermosztátként való használatakor)</p> <p>*2. Az érzékelő beállítása képernyőről válassza ki az Idő/Zóna elemet, hogy az Idő/Zóna választása menüben kiválasztott ütemezett időnek megfelelően lehetővé tegye a eltérő helyiségérzékelők használatát. A helyiségérzékelők 24 órán belül akár 4 alkalommal is kapcsolhatók.</p>																							

5 A rendszer beállítása

[Service] (Szerviz) menü

A szervizmenü a telepítő vagy a szervizmérnök által használható funkciókat tartalmazza. NEM arra szolgál, hogy a tulajdonos módosítsa a menüben levő beállításokat. Ezen ok miatt szükséges a jelszóvédelem, amely megakadályozza a jogosulatlan hozzáférést a szervizbeállításokhoz.

A gyári alapértelmezett jelszó a „0000”.

A beállítási művelethez kövesse az Általános üzemeltetés című fejezetben leírt eljárást.

A beltéri egység működése közben számos funkció nem állítható be. Ezen funkciók beállításának megkezdése előtt a telepítőnek ki kell kapcsolnia az egységet. Ha a telepítő az egység működése közben próbálja meg megváltoztatni a beállításokat, fő távvezérlő egy emlékeztető üzenetet jelenít meg, amely arra kéri, hogy a továbblépés előtt állítsa le a rendszer működését. A „Yes” (Igen) lehetőség kiválasztásával az egység leáll.

<[Manual operation]> (Kézi üzem)

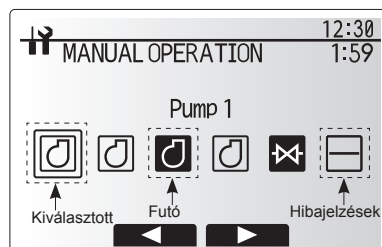
A rendszer feltöltése során az elsődleges kör keringető szivattyúja és a 3-utas szelep manuális üzemmódban kézzel felülbíráható.

Ha a kézi működtetést választja, egy kis időzítő ikon jelenik meg a képernyőn. Kiválasztásakor ez a funkció legfeljebb 2 órán keresztül marad kézi működtetés üzemmódban. Ennek célja, hogy megakadályozza az FTC véletlen végleges felülbírálását.

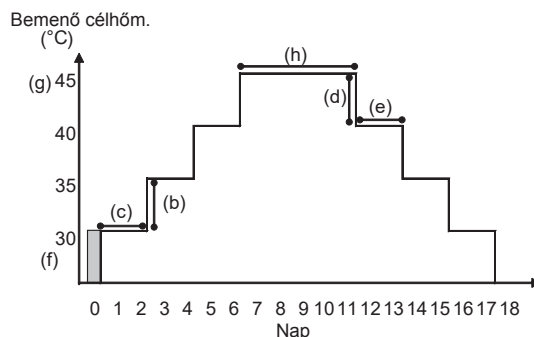
► Példa

Az F3 gomb megnyomása bekapcsolja a fő 3-utas szelep kézi működtetés üzemmódját. Ha a melegvíztartály feltöltése befejeződött, a telepítőnek újra be kell lépnie ebbe a menübe, és meg kell nyomnia az F3 gombot a részegység kézi működtetésének kikapcsolásához. Egyéb esetben, 2 óra eltelte után a kézi működtetés üzemmód deaktiválódik, és az FTC folytathatja a hidraulikaszekrény vezérlését.

A manuális működtetés és a hőforrás beállítás nem választható, amikor a rendszer fut. Egy képernyő jelenik meg, amely arra kéri a telepítőt, hogy állítsa le a rendszert ezen üzemmódok aktiválásához. A rendszer az utolsó működés után 2 órával automatikusan leáll.



Kézi üzem menüképernyő



- Ez a funkció nem érhető el, ha PUHZ-FRP kültéri egység van csatlakoztatva.
- Kösse le a szobatermosztát külső bemeneteihez, az igény szerinti vezérléshez és a kültéri termosztáthoz menő vezetékeket, ellenkező esetben előfordulhat, hogy a bemenő célhőmérséklet nem tartható fenn.

<[Floor dry up function]> (Padlószárítás funkció)

A padlószárítási funkció automatikusan lépésenként módosítja a melegvíz célhőmérsékletet a beton fokozatos megszáradásához, amikor ez a fajta padlófűtési rendszer telepítve van.

A művelet befejezése után a rendszer az összes műveletet leállítja, kivéve a Fagyás stat. műveletet.

A padlószárítási funkcionál az 1. zóna bemenő célhőmérséklete azonos a 2. zónáéval.

Funkciók	Szimbólum	Leírás	Opció/Tartomány	Mértékegység	Alapérték
Padlószárítás funkció	a	Állítsa a funkciót BE értékre, és kapcsolja be a rendszert a fő távvezérlővel, és a szárítási fűtés működése elindul.	Be/Ki	—	Ki
Bemenő hőm. (növelés)	b	Beállítja a bemenő célhőmérséklet növelésének lépését.	+1 – +10	°C	+5
	c	Beállítja az időtartamot, amíg ugyanaz a bemenő célhőmérséklet lesz fenntartva.	1–7	nap	2
Bemenő hőm. (csökkentés)	d	Beállítja a bemenő célhőmérséklet csökkentésének lépését.	-1 – -10	°C	-5
	e	Beállítja az időtartamot, amíg ugyanaz a bemenő célhőmérséklet lesz fenntartva.	1–7	nap	2
Célhőmérséklet	f	Beállítja a bemenő célhőmérsékletet a művelet kezdetéhez és befejezéséhez.	20–60	°C	30
	g	Beállítja a maximális bemenő célhőmérsékletet.	20–60	°C	45
	h	Beállítja az időtartamot, amíg a maximális bemenő célhőmérséklet lesz fenntartva.	1–20	nap	5

<[Password protection]> (Jelszóvédelem)

A jelszóvédelem megakadályozza, hogy gyakorlatlan személyek jogosulatlanul hozzáférjenek a szervizmenühöz.

A jelszó visszaállítása

Ha elfelejtette a megadott jelszót vagy valaki más által üzembe helyezett egységet szervizel, visszaállíthatja a jelszót a gyári alapértelmezett 0000 értékre.

1. A fő beállítások menüben görgessen lefelé, amíg a Service Menu (Szerviz menü) nem lesz kijelölve.
2. Nyomja meg a [CONFIRM] (Megerősítés) gombot.
3. A rendszer felkéri a jelszó megadására.
4. Tartsa lenyomva egyszerre 3 másodpercig az F3 és F4 gombokat.
5. A rendszer megkérdezi, hogy folytatni kívánja-e és visszaállítja a jelszót az alapértelmezett értékre.
6. A visszaállításához nyomja meg az F3 gombot.
7. A jelszó visszaállt a 0000 értékre.

<[Manual reset]> (Kézi törlés)

Ha bármikor vissza kell állítani a gyári beállításokat, használja a kézi törlés funkciót. Vegye figyelembe, hogy ez az ÖSSZES funkciót visszaállítja a gyári alapbeállításokra.



Jelszóbeviteli képernyő



Jelszómege erősítő képernyő

6 Szervizelés és karbantartás

A beltéri hidraulikaszelekrényt **évente egyszer** egy szakképzett szakemberrel szervizeltetni kell. A kültéri egység szervizelését és karbantartását csak a megfelelő képzettséggel és tapasztalattal rendelkező Mitsubishi Electric által képzett szakember végezheti. Minden elektromos munkát a megfelelő

villamossági képesítéssel rendelkező kereskedőnek kell elvégeznie. A nem akkreditált személy által elvégzett karbantartási vagy „DIY” javítások érvényteleníthetik a jótállást és/vagy károsíthatják a hidraulikaszelekrényt és a személyi sérülést okozhatnak.

Hibakódok

Kód	Hiba	Művelet
L3	Keringetett vízhőmérséklet túlmelegedés elleni védelem	Az áramlási sebesség csökkenthető. Ellenőrizze a következőket: <ul style="list-style-type: none"> • Vízszivárgás • Szűrő eltömődése • Vízkeringető szivattyú működése (hibakód jelenhet meg az elsődleges kör feltöltésekor, ekkor fejezze be a feltöltést és állítsa vissza a hibakódot.)
L4	HMV-tartály vízhőmérséklet túlmelegedés elleni védelem	Ellenőrizze a merülőforralót és a védőreljét.
L5	Beltéri egység hőmérséklet termisztor (THW1, THW2, THW5B, THW6, THW7, THW8, THW9) hiba	Ellenőrizze a termisztor ellenállását.
L6	Keringetett víz fagyásvédelem	Lásd az L3-hoz kapcsolódó műveletet.
L8	Fűtés működési hiba	Ellenőrizze és csatlakoztassa újra az esetlegesen elmozdult termisztorokat.
L9	Az áramlásérzékelő vagy az áramláskapcsoló (1., 2., 3. áramláskapcsolók) alacsony elsődleges köri áramlási sebességet érzékelt.	Lásd az L3-hoz kapcsolódó műveletet. Ha az áramlásérzékelő vagy az áramláskapcsoló nem működik, cserélje ki azt. Vigyázat: A szivattyún a szelepek forrók lehetnek, legyen óvatos.
LA	Nyomásérzékelő hiba	Károsodás vagy laza csatlakozás tekintetében ellenőrizze a nyomásérzékelő kábelét.
LB	Nagy nyomás elleni védelem	<ul style="list-style-type: none"> • A fűtőkör áramlási sebessége csökkenhetett. Ellenőrizze a vízkört. • A lemezes hőcserélő eltömődött. Ellenőrizze a lemezes hőcserélőt. • A kültéri egység meghibásodott. Lásd a kültéri egység szervizelési kézikönyvét.
LC	Vízmelegítő keringetett vízhőmérséklet túlmelegedése elleni védelem	Ellenőrizze, hogy a vízmelegítő fűtéshez beállított hőmérséklete meghaladja-e a korlátozást. (Lásd a „PAC-TH012HT-E” termisztorok kézikönyvét) A vízmelegítőtől jövő fűtőkör áramlási sebessége csökkenthető. Ellenőrizze a következőket: <ul style="list-style-type: none"> • vízszivárgás • szűrő eltömődése • víz keringető szivattyú funkciója
LD	Vízmelegítő hőmérséklet termisztorhiba (THWB1)	Ellenőrizze a termisztor ellenállását.
LE	Vízmelegítő működési hiba	Lásd az L8-hoz kapcsolódó műveletet. Ellenőrizze a vízmelegítő állapotát.
LF	Áramlásérzékelő hiba	Károsodás vagy laza csatlakozás tekintetében ellenőrizze az áramlásérzékelő kábelét.
LH	Vízmelegítő víz fagyásvédelem	A vízmelegítőtől jövő fűtőkör áramlási sebessége csökkenthető. Ellenőrizze a következőket: <ul style="list-style-type: none"> • vízszivárgás • szűrő eltömődése • víz keringető szivattyú funkciója
LJ	HMV működési hiba (külső lemezes HEX típusa)	Ellenőrizze a HMV tartály víz hőm. termisztor (THW5B) lecsatlakoztatását. A szaniter kör áramlási sebessége csökkenthető. Ellenőrizze a vízkeringető szivattyú funkcióját. (elsődleges / szaniter)
LL	DIP-kapcsolók beállítási hibái az FTC-vezérlőn	A vízmelegítő működéséhez ellenőrizze, hogy a DIP SW1-1 beállítása ON (BE) (vízmelegítővel), és a DIP SW2-6 beállítása ON (BE) (keverőtartállyal). A 2-zónás hőmérséklet-szabályozónál ellenőrizze, hogy a DIP SW2-7 beállítása ON (BE) (2-zónás), és a DIP SW2-6 beállítása ON (BE) (keverőtartállyal).
LP	A kültéri hőszivattyú egység vízáramlási sebessége tartományon kívül	Ellenőrizze a telepítést, 4.3.1. táblázat Ellenőrizze a távvezérlő beállításait (szerviz menü/hőszivattyú áramlási sebességtartománya) Lásd az L3-hoz kapcsolódó műveletet.
P1	Termisztor (szobahőm.) (TH1) hiba	Ellenőrizze a termisztor ellenállását.
P2	Termisztor (ref. folyadék hőm.) (TH2) hiba	Ellenőrizze a termisztor ellenállását.
P6	Lemezes hőcserélő fagyás elleni védelem	Lásd az L3-hoz kapcsolódó műveletet. Ellenőrizze a hűtőközeg megfelelő mennyiségét.
J0	Kommunikációs hiba az FTC és a vezeték nélküli vevő között	Károsodás vagy laza csatlakozás tekintetében ellenőrizze a csatlakozókábelét.
J1 – J8	Kommunikációs hiba a vezeték nélküli vevő és a vezeték nélküli távvezérlő között	Ellenőrizze, hogy a vezeték nélküli távvezérlő eleme nem merült-e le. Ellenőrizze a vezeték nélküli vevő és a vezeték nélküli távvezérlő párosítását. Tesztelje a vezeték nélküli kommunikációt. (Lásd a vezeték nélküli rendszer kézikönyvét)
E0 – E5	Kommunikációs hiba a fő távvezérlő és az FTC között	Károsodás vagy laza csatlakozás tekintetében ellenőrizze a csatlakozókábelét.
E6 – E9	Kommunikációs hiba az FTC és a kültéri egység között	Ellenőrizze, hogy a kültéri egység nincs-e kikapcsolva. Károsodás vagy laza csatlakozás tekintetében ellenőrizze a csatlakozókábelét. Lásd a kültéri egység szervizelési kézikönyvét.
E9	A kültéri egység nem kap jelet beltéri egységről.	Ellenőrizze, hogy mindkét egység be van-e kapcsolva. Károsodás vagy laza csatlakozás tekintetében ellenőrizze a csatlakozókábelét. Lásd a kültéri egység szervizelési kézikönyvét.
EE	Kombinációs hiba az FTC és a kültéri egység között	Ellenőrizze az FTC és a kültéri egység kombinációt.
U*, F*	A kültéri egység meghibásodott	Lásd a kültéri egység szervizelési kézikönyvét.
A*	M-NET kommunikációs hiba	Lásd a kültéri egység szervizelési kézikönyvét.

Megjegyzés: A hibakódok törüléséhez kapcsolja ki a rendszert (nyomja meg az F4 (VISSZAÁLLÍTÁS) gombot fő távvezérlőn).

6 Szervizelés és karbantartás

Éves karbantartás

Lényeges, hogy a hidraulikaszekrényt évente legalább egyszer szakképzett személlyel szervizeltetni kell. A szükséges alkatrészeket a Mitsubishi Electric-től KELL megvásárolni (biztonsági okokból). **SOHA** ne kerülje meg a biztonsági berendezéseket, illetve ne működtesse a berendezést anélkül, hogy teljesen működőképes lenne.

Megjegyzés

- A telepítés első néhány hónapjában távolítsa el és tisztítsa meg a hidraulikaszekrény szűrőjét, valamint az összes további szűrőelemet, amelyek a hidraulikaszekrényen kívül vannak felszerelve. Ez különösen fontos egy régi/meglévő vezetékrendszerre történő telepítéskor.
- A PRV-szelepet (11. számú elem a 3.3. És 3.4. ábrán) évente ellenőrizni kell, a forgatógomb kézi elforgatásával, hogy az anyag kiürüljön, és ez kitisztítja a tömítés ülékét.

Az éves szervizelésen felül a rendszer bizonyos időtartamú működése után szükség van bizonyos alkatrészek cseréjére vagy ellenőrzésére. Részletes információkért lásd a lenti táblázatot. Az alkatrészek cseréjét és átvizsgálását mindig megfelelő tapasztalattal és képesítéssel rendelkező, arra felhatalmazott személynek kell elvégeznie.

A rendszeres cserét igénylő alkatrészek

Alkatrészek	Csereperiódus	Lehetséges meghibásodás
Nyomáscsökkentő szelep (3 bar) Szellőzőnyílás (Auto/Kézi) Manométer	6 év	Vízszivárgás

Rendszeres átvizsgálást igénylő alkatrészek

Alkatrészek	Ellenőrzés	Lehetséges meghibásodás
Nyomáscsökkentő szelep (3 bar) Hőmérséklet és nyomáscsökkentő szelep	1 év (manuálisan forgassa el a gombot)	A PRV-t rögzülhet, és a túlagulási tartály szétrepedhet
Merülőforraló	2 év	A megszakító kioldását okozó földzárlat (a fűtés mindig KI van kapcsolva)
Vízkeringető szivattyú (Elsődleges kör)	20 000 üzemóra (3 év)	Vízkeringető szivattyú meghibásodás

Alkatrészek, amelyeket szervizeléskor TILOS újra felhasználni

- * O-gyűrű
- * Tömítés

Megjegyzés:

- Rendszeres karbantartáskor (20 000 üzemóránként vagy háromévente) mindig cserélje ki újra a szivattyú tömítését.
- Nem szükséges ellenőrizni a nyomáscsökkentő szelepet (5 bar), mert nem érintkezik vízzel, hacsak 3 bar PRV nem sérült.

Mérnöki űrlapok

Ha az alapértelmezett beállításokat módosítja, adja meg és írja fel az új beállítást a „Field Setting” (Helyszíni beállítás) oszlopba. Ez megkönnyíti a visszaállítást a jövőben, amikor a rendszer használata megváltozik vagy az áramkörti panelt ki kell cserélni.

Beüzemelési/helyszíni beállítások nyilvántartó lap

Fő távvezérlő képernyő		Paraméterek	Alapértelmezett beállítás	Helyszíni beállítás	Megjegyzések	
Fő		1. zóna fűtés szobahőm.	10°C - 30°C	20°C		
		2. zóna fűtés szobahőm. *14	10°C - 30°C	20°C		
		1. zóna fűtés bemenő hőm.	20°C - 60°C	45°C		
		2. zóna fűtés bemenő hőm. *1	20°C - 60°C	35°C		
		1. zóna hűtés bemenő hőm. *12	5°C - 25°C	15°C		
		2. zóna hűtés bemenő hőm. *12	5°C - 25°C	20°C		
		1. zóna fűtési kompenzációs görbe	-9°C - + 9°C	0°C		
		2. zóna fűtési kompenzációs görbe *1	-9°C - + 9°C	0°C		
		Nyaralás üzemmód	Aktív/Nem aktív/Időbeállítás	---		
		Opciók		Kényszerített HMV-üzem	Be/Ki	---
HMV	Be/Ki/Időzítő			Be		
Fűtés/hűtés	Be/Ki/Időzítő			Be		
Energiafelügyelet	Fogyasztott villamosenergia/Leadott energia			---		
Beállítás	HMV *13	Üzemmód	Normál/Eco *16	Normál		
		HMV max. hőm.	40°C - 60°C *2	50°C		
		HMV hőm.esés	5°C - 30°C	10°C		
		HMV max. működési idő	30 - 120 perc	60 perc		
		HMV üzemmód-korlátozás	30 - 120 perc	30 perc		
		HMV újratöltés	Nagy/Szabvány	Nagy *19		
	Legionella-megelőzés *13		Aktív	Igen/Nem	Igen	
			Meleg víz hőm.	60°C - 70°C *2	65°C	
			Gyakoriság	1 - 30 nap	15 nap	
			Kezdeti ideje	00.00 - 23.00	03.00	
			Max. működési idő	1 - 5 óra	3 óra	
			Maximum hőm. időtartama	1 - 120 perc	30 perc	
	Fűtés/hűtés *12		1. zóna működési mód	Fűtési szobahőm./ Fűtési bemenő hőm./ Fűtési kompenzációs görbe/ Hűtési bemenő hőm.	Szobahőm.	
			2. zóna működési mód *1	Fűtési szobahőm./ Fűtési bemenő hőm./ Fűtési kompenzációs görbe/ Hűtési bemenő hőm.	Kompenzációs görbe	
	Kompenzációs görbe	Magas bemenő hőm. beállítási pont	1. zóna külső környezeti hőm.	-30°C - +33°C *3	-15°C	
			1. zóna bemenő hőm.	20°C - 60°C	50°C	
2. zóna külső környezeti hőm. *1			-30°C - +33°C *3	-15°C		
2. zóna bemenő hőm. *1			20°C - 60°C	40°C		
Alacsony bemenő hőm. beállítási pont		1. zóna külső környezeti hőm.	-28°C - +35°C *4	35°C		
		1. zóna bemenő hőm.	20°C - 60°C	25°C		
		2. zóna külső környezeti hőm. *1	-28°C - +35°C *4	35°C		
		2. zóna bemenő hőm. *1	20°C - 60°C	25°C		
Beállítás		1. zóna külső környezeti hőm.	-29°C - +34°C *5	---		
		1. zóna bemenő hőm.	20°C - 60°C	---		
		2. zóna külső környezeti hőm. *1	-29°C - +34°C *5	---		
		2. zóna bemenő hőm. *1	20°C - 60°C	---		
Szabadság		HMV *13	Aktív/Nem aktív	Nem aktív		
		Fűtés/hűtés *12	Aktív/Nem aktív	Aktív		
		1. zóna fűtés szobahőm.	10°C - 30°C	15°C		
		2. zóna fűtés szobahőm. *14	10°C - 30°C	15°C		
		1. zóna fűtés bemenő hőm.	20°C - 60°C	35°C		
		2. zóna fűtés bemenő hőm. *1	20°C - 60°C	25°C		
		1. zóna hűtés bemenő hőm. *12	5°C - 25°C	25°C		
		2. zóna hűtés bemenő hőm. *12	5°C - 25°C	25°C		

(Folytatás a következő oldalon.)

Mérnöki űrlapok

Beüzemelési/helyszini beállítások nyilvántartó lap

Fő távvezérlő képernyő		Paraméterek		Alapértelmeztett beállítás	Helyszini beállítás	Megjegyzések	
Beállítás	Kezdeti beállítások	Nyelv	EN/FR/DE/SV/ES/IT/DA/NL/FI/NO/PT/BG/PL/CZ/RU/TR/SL	EN			
		°C/°F	°C/°F	°C			
Nyári időszámítás		Be/Ki	Ki				
Hőm. kijelző		Helyiség/HMV-tartály/Helyiség és HMV-tartály /Ki	Ki				
Időkijelző		óó:pp/óó:pp DE/DE óó:pp	óó:pp				
Helyiségérzékelő beállítások 1. zónához		TH1/Fő RC/Helyiség RC1-8/„Idő/Zóna”	TH1				
Helyiségérzékelő beállítások 2. zónához *1		TH1/Fő RC/Helyiség RC1-8/„Idő/Zóna”	TH1				
	Helyiség RC zónaválasztás *1	1. zóna/2. zóna	1. zóna				
	Szerviz menü	Termisztorbeállítás	THW1	-10°C - +10°C	0°C		
			THW2	-10°C - +10°C	0°C		
			THW5B	-10°C - +10°C	0°C		
			THW6	-10°C - +10°C	0°C		
			THW7	-10°C - +10°C	0°C		
			THW8	-10°C - +10°C	0°C		
			THW9	-10°C - +10°C	0°C		
			THW10	-10°C - +10°C	0°C		
			THWB1	-10°C - +10°C	0°C		
			Kiegészítő beállítások	A szivattyú gazdaságos beállításai	Be/Ki *6 Késleltetés (3 - 60 perc)	10 perc	
		Elektromos fűtőegység (Fűtés)		Helyiségűtés: Be (használatban)/Ki (nincs használatban) Elektromos fűtőegység késleltetési időzítő (5 - 180 perc)	30 perc		
		Elektromos fűtőegység (HMV) *13		Segédűtő	HMV: Be (használatban)/Ki (nincs használatban)	Be	
			Merülőforraló	HMV: Be (használatban)/Ki (nincs használatban)	Be		
		Elektromos fűtőegység késleltetés időzítő (15 - 30 perc)	15 perc				
		Keverőszelep vezérlése	Fut (10 - 240 mp) Intervallum (1 - 30 perc)	120 mp 2 perc			
		Áramlásérzékelő *18	Minimum (0 - 100 L/perc) Maximum (0 - 100 L/perc)	5 L/perc 100 L/perc			
		Analog kimenet	Intervallum (1 - 30 perc)	5 perc			
			Prioritás(Normál/Magas)	Normál			
		Szivattyú fordulatszáma	HMV Szivattyú fordulatszáma (1 - 5) Fűtés/hűtés Szivattyú fordulatszáma (1 - 5)	5 5			
		Hőforrás beállítása	Szabvány/Fűtés/Vízmelegítő/Hibrid *7	Szabvány			
		Hőszivattyú beállítása	Hőszivattyú áramlási sebességtartomány	Minimum (0 - 100 L/perc)	5 L/perc		
				Maximum (0 - 100 L/perc)	100 L/perc		
			Csendes üzemmód	Nap (Hét - Vas)	—		
				Idő	0:00-23:45		
			Csendes szint (Normál/ 1. szint/ 2. szint)	Normál			
	Működési beállítások	Fűtés üzem *8	Bemenő hőm. tartomány *10	Min.hőm.(20 - 45°C)	30°C		
				Max.hőm.(35 - 60°C)	50°C		
			Helyiség hőm. vezérlés *15	Üzemmód (Normál/Gyors) Intervallum (10 - 60 perc)	Normál 10 perc		
			Hőszivattyú termo. eltérés beállítása	Be/Ki *6	Be		
				Alsó határérték (-9 - -1°C) Felső határérték (+3 - +5°C)	-5°C 5°C		
			Fagyás stat. funkció *11	Külső környezeti hőm. (3 - 20°C) / **	5°C		
			Egyidejű üzem (HMV/Fűtés)	Be/Ki *6 Külső környezeti hőm. (-30 - +10°C) *3	Ki -15°C		
			Hideg időjárás funkció	Be/Ki *6	Ki		
				Külső környezeti hőm. (-30 - -10°C) *3	-15°C		
			Vízmelegítő üzem	Hibrid beállítások	Külső környezeti hőm. (-30 - +10°C) *3	-15°C	
					Prioritás üzemmód (Környezet/Költség/CO ₂) *17	Környezet	
					Külső környezeti hőm. növekedés (+1 - +5°C)	+3°C	
			Intelligens beállítások	Energiaár *9	Elektromosság (0,001 - 999 */kWh)	0,5 */kWh	
		Vízmelegítő (0,001 - 999 */kWh)			0,5 */kWh		
		CO ₂ -kibocsátás		Elektromosság (0,001 - 999 kg - CO ₂ /kWh)	0,5 kg - CO ₂ /kWh		
				Vízmelegítő (0,001-999 kg -CO ₂ /kWh)	0,5 kg - CO ₂ /kWh		
		Hőforrás		Hőszivattyú kapacitás (1 - 40 kW)	11,2 kW		
			Vízmelegítő hatékonysága (25 - 150%)	80%			
			1. segédűtő kapacitása (0 - 30 kW)	2 kW			
		2. segédűtő kapacitása (0 - 30 kW)	4 kW				

(Folytatás a következő oldalon.)

6 Szervizelés és karbantartás

■ Mérnöki űrlapok

Beüzemelési/helyszíni beállítások nyilvántartó lap (folytatás az előző oldalról)

Fő távvezérlő képernyő				Paraméterek		Alapértelmezett beállítás	Helyszíni beállítás	Megjegyzések
Szerviz menü	Működési beállítások	Intelligens hálózatra kapcsolható	HMV	Be/Ki		Ki		
				Célhőm. (+1 - +20°C) / -- (Nem aktív)		--		
			Fűtés	Be/Ki		Ki		
				Célhőm.	Bekapcsolási javaslat (20 - 60°C)	50°C		
					Bekapcsolás parancs(20 - 60°C)	55°C		
			Hűtés	Be/Ki		Ki		
				Célhőm.	Bekapcsolási javaslat (5 - 25°C)	15°C		
					Bekapcsolás parancs(5 - 25°C)	10°C		
			Szivattyú ciklusok	Fűtés (Be/Ki)		Be		
				Hűtés (Be/Ki)		Be		
				Intervallum(10 - 120 perc)		10 perc		
			Padlószárítás funkció	Be/Ki *6		Ki		
				Célhőm.	Indítás és Befejezés (20 - 60°C)	30°C		
					Max. hőm. (20 - 60°C)	45°C		
	Max. hőm. időtartam (1 - 20 nap)	5 nap						
	Bemenő hőm. (Növelés)	Hőm. növelés lépés (+1 - +10°C)		+5°C				
		Növelési intervallum (1 - 7 nap)		2 nap				
	Bemenő hőm. (Csökkentés)	Hőm. csökkentési lépés (-1 - -10°C)		-5°C				
		Csökkentési intervallum (1 - 7 nap)		2 nap				
	Nyári üzemmód	Be/Ki		Ki				
		Külső környezeti hőm.		Fűtés BE (4 - 19°C)	10°C			
			Fűtés KI (5 - 20°C)	15°C				
		Döntési idő	Fűtés BE (1 - 48 óra)	6 óra				
			Fűtés KI (1 - 48 óra)	6 óra				
	Kényszerített fűtés BE (-30 - 10°C)		5°C					
	Vízáramlás-vezérlés		Be/Ki	Ki				
Energia-felügyelet beállítások	Elektromos fűtőegység kapacitása	1. segédfűtő kapacitása	0 - 30 kW	2 kW				
		2. segédfűtő kapacitása	0 - 30 kW	4 kW				
		Merülőforraló kapacitása	0 - 30 kW	0 kW				
		Analóg kimenet	0 - 30 kW	0 kW				
		Leadott energia beállítása	-50 - +50%	0%				
	Vízszivattyú bemenet	1. szivattyú	0 - 200 W vagy *** (gyárilag felszerelt szivattyú)	***				
		2. szivattyú	0 - 200 W	0 W				
		3. szivattyú	0 - 200 W	0 W				
		4. szivattyú *19	0 - 200 W	72 W				
	Elektromos fogyasztásmérő		0,1/1/10/100/1000 impulzus/kWh	1 impulzus/kWh				
Hőmennyiségmérő		0,1/1/10/100/1000 impulzus/kWh	1 impulzus/kWh					
Külső bemenet beállításai	Igény szerinti vezérlés (IN4)	Hőforrás KI/Vízmelegítő üzem	Vízmelegítő üzem					
	Kültéri termosztát (IN5)	Fűtés üzem/Vízmelegítő üzem	Vízmelegítő üzem					
Thermo BE kimenet		1. Zóna/2. Zóna/1. és 2. zóna	1. és 2. zóna					

*1 A 2. zónára vonatkozó beállítások csak akkor kapcsolhatók be, ha a 2-zónás hőmérséklet szabályozás engedélyezve van (amikor a DIP SW2-6 és SW2-7 kapcsolók ON (BE) értékre vannak kapcsolva).

*2 A segédfűtő és merülőforraló nélküli modell esetében a külső környezeti hőmérséklettől függően előfordulhat, hogy nem éri el a beállított hőmérsékletet.

*3 A csatlakoztatott kültéri egységtől függően az alsó határérték -15°C.

*4 A csatlakoztatott kültéri egységtől függően az alsó határérték -13°C.

*5 A csatlakoztatott kültéri egységtől függően az alsó határérték -14°C.

*6 On (Be): a funkció aktív; Off (Ki): a funkció inaktív.

*7 Amikor a DIP SW1-1 kapcsoló „WITHOUT Boiler” (Vízmelegítő NÉLKÜL) OFF (KI) értékre van állítva vagy az SW2-6 kapcsoló „WITHOUT Mixing tank” (Kevertartály NÉLKÜL) OFF (KI) értékre van állítva, akkor sem a Vízmelegítő, sem a Hibrid beállítás nem választható ki.

*8 Csak akkor érvényes, ha a rendszer Helyiség hőm. vezérlési módban működik.

9 A „” a „*/kWh” egységben pénznemet jelent (pl. € vagy £ vagy hasonló)

*10 Csak akkor érvényes, ha a rendszer Fűtési szobahőmérséklet módban működik.

*11 Ha csillag (**) van kiválasztva, a fagyás stat funkció nincs aktiválva. (azaz elsődleges vízfagyás veszélye áll fenn)

12 A hűtési üzemmód beállításai csak az ERS modellhez érhetők el.

*13 Csak akkor elérhető, ha a HMV tartály van a rendszerben.

*14 A 2. zónára vonatkozó beállítások csak akkor kapcsolhatók be, ha a 2-zónás hőmérséklet szabályozás vagy a 2-zónás szelep BE/KI vezérlés engedélyezve van.

*15 Amikor a DIP SW5-2 kapcsoló OFF (KI) értékre van állítva, a funkció aktív.

*16 Ha a hidraulikaszerény PUMY-P kültéri egységhez van csatlakoztatva, az üzemmód „Normál”-ra van rögzítve.

*17 Ha a hidraulikaszerény PUMY-P kültéri egységhez van csatlakoztatva, az üzemmód „Környezet”-re van rögzítve.

*18 Ne változtassa meg a beállítást, mivel a hidraulikaszerényhez csatlakoztatott áramlásérzékelő specifikációjának megfelelően van beállítva.

*19 Ez a beállítás csak a hidraulikaszerényekhez érvényes.

EC DECLARATION OF CONFORMITY
EG-KONFORMITÄTSEKRLÄRUNG
DÉCLARATION DE CONFORMITÉ CE
EG-CONFORMITEITSEVERKLARING
DECLARACIÓN DE CONFORMIDAD CE
DICHIARAZIONE DI CONFORMITÀ CE
ΔΗΛΩΣΗ ΠΙΣΤΟΤΗΤΑΣ ΕΚ

DECLARAÇÃO DE CONFORMIDADE CE
EU-OVERENSSTEMMELSESEKRLÆRING
EG-DEKLARATION OM ÖVERENSSTÄMMELSE
EC UYGUNLUK BEYANI
ДЕКЛАРАЦИЯ СООТВЕТСТВИЯ НОРМАМ ЕС
ДЕКЛАРАЦІЯ ВІДПОВІДНОСТІ НОРМАМ ЄС
ЕС ДЕКЛАРАЦІЯ ЗА СЪОТВЕТСТВИЕ

DEKLARACJA ZGODNOŚCI WE
CE-ERKLÆRING OM SAMSVAR
EY-VAATIMUSTENMUKAISUUSVAKUUTUS
ES PROHLÁŠENÍ O SHODĚ
VYHLÁSENIE O ZHODE ES
EK MEGFELELŐSÉGI NYILATKOZAT
IZJAVA O SKLADNOSTI ES

DECLARAȚIE DE CONFORMITATE CE
EŪ VASTAVUSDEKLARATSIOON
EK ATBILSTĪBAS DEKLARĀCIJA
EB ATITIKTIES DEKLARACIJA
EZ IZJAVA O SUKLADNOSTI
EZ IZJAVA O USAGLAŠENOSTI

mitsubishi electric air conditioning systems europe ltd.
nettlehill road, houstoun industrial estate, livingston, eh54 5eq, scotland, united kingdom

hereby declares under its sole responsibility that the heating system components described below for use in residential, commercial and light-industrial environments:
erklärt hiermit auf seine alleinige Verantwortung, dass die unten beschriebenen Zubehörteile für das Heizungs-System zur Benutzung im häuslichen, kommerziellen und leicht-industriellen Umfeld:
déclare par la présente et sous son entière responsabilité que les composants du système de chauffage décrits ci-dessous pour l'utilisation dans des environnements résidentiels, commerciaux et d'industrie légère :
verklaart hierbij als enige verantwoordelijke dat de componenten van het verwarmingssteeem die hieronder worden beschreven, bedoeld zijn voor gebruik in woonomgevingen en in commerciële en licht industriële omgevingen:
declara por la presente bajo su responsabilidad exclusiva que los componentes del sistema de calefacción descritos a continuación para su uso en zonas residenciales, comerciales y para la industria ligera:
con la presente dichiara, sotto la sua esclusiva responsabilità, che i componenti dell'impianto di riscaldamento descritto di seguito, destinato all'uso in ambienti residenziali, commerciali e industriali:
διό του παρόντος δηλώνει υπό αποκλειστική ευθύνη της ότι τα εξαρτήματα του συστήματος θέρμανσης που περιγράφονται παρακάτω για χρήση σε κατοικημένες, εμπορικές και ελαφριές βιομηχανικές περιοχές,
através da presente declara sob sua única responsabilidade que os componentes do sistema de aquecimento abaixo descritos para uso residencial, comercial e de indústria ligeira:
erklærer hermed under eneansvar, at de herunder beskrevne komponenter til opvarmning til brug i privat boligbyggeri, erhvervsområder og inden for let industri:
intyggar härmed att uppvärmningssystemkomponenterna som beskrivs nedan är för användning i bostäder, kommersiella miljöer och lätt industri:
aşağıda anlatılan ısıtma sistemi bileşenlerinin konutlarda, ticari ve hafif sanayi ortamlarında kullanıma yönelik olduğunu tamamen kendi sorumluluğunda beyan eder:
настоящим заявляет и берет на себя исключительную ответственность за то, что кондиционеры и тепловые насосы, описанные ниже и предназначенные для эксплуатации в жилых помещениях, торговых залах и на предприятиях легкой промышленности:
заявляє виключно під власну відповідальність, що компоненти системи опалення, описані нижче, призначені для використання в побутовому, комерційному та наблизеному до промислового середовищах.
с настоящей декларацией на свою ответственность, что описанные по-долу компоненти за отоплительная система са годни за експлоатация в жилищна, търговска и лекопромишлена среда:
niniejszym oświadczam na swojej wyłącznej odpowiedzialności, że klimatyzatory i pompy ciepła opisane poniżej, są przeznaczone do zastosowań w środowisku mieszkalnym, handlowym i lekko przemysłowym:
erklærer hermed som sitt ansvar, ene og alene, at komponentene i varmesystemet som beskrives nedenfor og som er beregnet for bruk i bolig-, forretnings- og lettindustriområder:
vakuuttaa täten asiasta yksin vastuussa, että alla kuvatut lämmitysjärjestelmän osat, jotka on tarkoitettu käytettäväksi asuin-, toimisto- ja kevyen teollisuuden ympäristöissä:
tímto na vlastní odpovědnost prohlašuje, že níže popsané klimatizační jednotky a tepelná čerpadla pro použití v obytných prostředích, komerčních prostředích a prostředích lehkého průmyslu:
týmto vyhlasuje na vlastnú zodpovednosť, že komponenty vykurovacieho systému opísané nižšie pre použitie v obytných, komerčných a ľahkých priemyselných oblastiach:
ezennel kizárólagos felelősséggel kijelenti, hogy az alábbiakban leirt, lakó-, kereskedelmi és könnyűipari környezetben használható fűtőrendszerek alkatrészei:
s tem izrecno izjavljamo, da so spodaj opisane komponente ogrevalnega sistema za uporabo v stanovanjskih, poslovnih in lahkoindustrijskih okoljih:
Prin prezentul document, compania declară pe propria răspundere că piesele sistemului de încălzire descrie mai jos sunt potrivite pentru utilizarea în medii rezidențiale, comerciale și ușor industriale:
kinnitab oma ainvastutusele, et alpool kirjeldatud küttesüsteemi komponentid on mõeldud kasutamiseks elu-, kaubandus- ja kergetööstuskeskkonnas:
ar šo pilnībā atbild par to, ka tālāk aprakstītie apsildes sistēmas komponenti, kas izmantojami dzīvojamās, komerciālās un vieglās industriālās vidēs:
priisiimdamas visā atsakomybę pareiškia, kad žemiau aprašyti šildymo sistemos komponentai skirti naudoti gyvenamojoje, komercinėje ir lengvosios pramonės aplinkose:
ovime izjavljuje pod svojom isključivo svojom odgovornošću da dolje opisane komponente sustava za grijanje za upotrebu u stambenim, komercijalnim i lakooindustrijskim okruženjima:
ovim izjavljujemo pod svojom isključivom odgovornošću da su opisane komponente sistema grejanja za upotrebu u stambenim, poslovnim i lakim industrijskim okruženjima:

mitsubishi electric, ehSD-MED, ehSD-VM2D, ehSD-VM6D, ehSD-YM9D, ehSD-YM9ED, ehSD-TM9D, ERSD-MED, ERSD-VM2D, ehSC-MED, ehSC-VM2D, ehSC-VM6D, ehSC-YM9D, ehSC-YM9ED, ehSC-TM9D, ERSC-MED, ERSC-VM2D, ERSE-YM9ED, ERSE-MED, ehSE-YM9ED, ehSE-MED, ehPX-MED, ehPX-VM2D, ehPX-VM6D, ehPX-YM9D, ehPX-YM9ED

Note: Its serial number is on the nameplate of the product.
Hinweis: Die Seriennummer befindet sich auf dem Kennschild des Produkts.
Remarque : Le numéro de série de l'appareil se trouve sur la plaque du produit.
Opmerking: het serienummer staat op het naamplaatje van het product.
Nota: El número de serie se encuentra en la placa que contiene el nombre del producto.
Nota: il numero di serie si trova sulla targhetta del prodotto.
Σημείωση: Ο σειριακός του αριθμός βρίσκεται στην πινακίδα ονόματος του προϊόντος.
Nota: o número de série encontra-se na placa que contém o nome do produto.
Bemærk: Serienummeret står på produktets fabriksskilt.
Obs: Serienumret finns på produktens namnplåt.
Not: Seri numarasi ürünün isim plakasında yer alır.
Примечание: серийный номер указан на паспортное табличке изделия.
Примітка. Серійний номер вказано на паспортній табличці виробу.
Забелешка: Серийният му номер е на табелката на продукта.

Uwaga: Numer seryjny znajduje się na tabliczce znamionowej produktu.
Merk: Serienummeret befinnder seg på navneplaten til produktet.
Huomautus: Sarjanumero on merkitty laitteen arvokilpeen.
Poznámka: Příslušné sériové číslo se nachází na štítku produktu.
Poznámka: Výrobné číslo sa nachádza na typovom štítku výrobku.
Megjegyzés: A sorozatszám a termék adattábláján található.
Opomba: serijska številka je zapisana na tipski ploščici enote.
Notă: Numărul de serie este specificat pe plăcuța indicatoare a produsului.
Márkus. Seerianumber asub toote andmesildil.
Piezīme. Sērijas numurs ir norādīts uz ierīces datu plāksnītes.
Pastaba. Serijos numeris nurodytas gaminio vardinį duomenų lentelėje.
Napomena: serijski broj nalazi se na natpisnoj pločici proizvoda.
Napomena: Serijski broj nalazi se na nazivnoj pločici proizvoda.

Directives
Richtlijnen
Directives
Richtlijnen
Directivas
Directive
Οδηγίες

Directivas
Direktiver
Direktiv
Direktifler
Директивы
Директиви
Директиви

Dyrektwy
Direktiver
Direktiivit
Smernice
Irányelvek
Direktive

Directive
Direktiivid
Direktivas
Direktyvos
Direktive
Direktive

2014/35/EU: Low Voltage
2006/42/EC: Machinery
2014/30/EU: Electromagnetic Compatibility
2009/125/EC: Energy-related Products Directive and Regulation (EU) No 813/2013
2011/65/EU, (EU) 2015/863 and (EU) 2017/2102: RoHS Directive

Issued
UNITED KINGDOM

1 Sep. 2019

Atsushi EDAYOSHI
Manager, Quality Assurance Department

Please be sure to put the contact address/telephone number on this manual before handing it to the customer.



mitsubishi electric corporation

HEAD OFFICE: TOKYO BUILDING, 2-7-3, MARUNOUCHI, CHIYODA-KU, TOKYO 100-8310, JAPAN