

Sauna heater

Concept R black

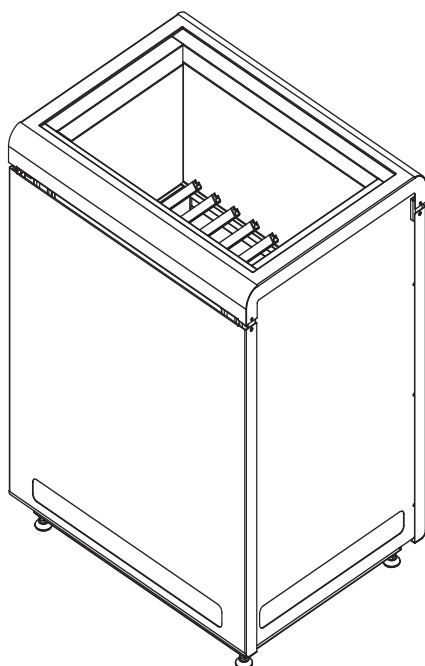
CP-RB-090 / 1-027-768: Concept R 9.0 kW black

CP-RB-105 / 1-027-769: Concept R 10.5 kW black

CP-RB-120 / 1-027-770: Concept R 12.0 kW black

CP-RB-150 / 1-027-771: Concept R 15.0 kW black

INSTRUCTIONS FOR INSTALLATION AND USE English



EN

DE

FR

IT

NL

SV

CS

SL

FI

Table of Contents

1. About this instruction manual	4
2. Important information for your safety	5
2.1. Intended use	5
2.2. Safety information for the installer	5
2.3. Safety information for the user	7
3. Product description	8
3.1. Scope of delivery	8
3.2. Accessories	8
3.3. Product functions	8
4. Installation and connection	9
4.1. Installation location and sensor position	9
4.2. Safety distances	10
4.3. Adjusting the height	11
4.4. Connection diagram for 400 V 3N~	12
4.5. Connection diagram for 230 V 1N~	14
4.6. Wiring diagrams	15
4.7. Electrical connection	17
5. Commissioning	19
5.1. Filling the stone container	19
5.2. Heating for the first time	20
6. Operation	21
6.1. Operating the sauna heater	21
6.2. Infusion	21

7. Maintenance	22
7.1. Extended periods of non-use.....	22
7.2. Cleaning the sauna heater.....	22
7.3. Changing the sauna stones.....	22
8. Disposal	23
9. Problem-solving by the installer	24
10. Technical data	25

1. About this instruction manual

Carefully read these instructions for installation and use, and keep them near the sauna. This ensures that you can refer to information about your safety and the operation at any time.



These installation and operating instructions can also be found in the downloads section of our website: www.sentiotec.com/downloads.

Symbols used for warning notices

In these instructions for installation and use, a warning notice located next to an activity indicates that this activity poses a risk. Always observe the warning notices. This prevents damage to property and injuries, which in the worst case may be fatal.

The warning notices contain keywords, which have the following meanings:



DANGER!

Serious or fatal injury will occur if this warning notice is not observed.



WARNING!

Serious or fatal injury can occur if this warning notice is not observed.



CAUTION!

Minor injuries can occur if this warning notice is not observed.

ATTENTION!

This keyword is a warning that damage to property can occur.

Other symbols



This symbol indicates tips and useful information.



Do not cover



Read the operating instructions

2. Important information for your safety

The Concept R sauna heater has been produced in accordance with the applicable safety rules and regulations. However, hazards may occur during use. Therefore adhere to the following safety information and the specific warning notices in the individual chapters.

2.1. Intended use

The Concept R sauna heater is intended solely for heating sauna cabins, in conjunction with a sauna control unit which does not include a remote start function.

The Concept R sauna heater can also be used with a sauna control unit with a remote start function, but only in conjunction with the optional safety shutdown feature (CP-R-SWL).

The Concept R sauna heater can also be used in public saunas, but only in conjunction with the optional safety shutdown feature (CP-R-SWL).

EN

Any use exceeding this scope is considered improper use. Improper use can result in damage to the product, severe injuries or death.

2.2. Safety information for the installer

- Installing and connecting the sauna heater may only be performed when the power supply is disconnected.
- Installation may only be performed by a qualified electrician or similarly qualified person.
- A fully disconnecting all-pole isolating device compliant with overvoltage category III must be fitted on site.
- Always use silicone cables that are heat-resistant up to 150 °C to connect the sauna heater.

- Only install one sauna heater in the cabin. The Concept R sauna heater must not be used together with other sauna heaters in a sauna cabin.
- The roof and walls of the sauna cabin must be manufactured from low-resin, untreated or thermally treated wood, e.g. Nordic spruce, hemlock, pine or fir, or from laminated wooden materials. If laminated wooden materials are used, make sure that the adhesive used in them does not give off formaldehyde. If other materials than wood are used in the sauna cabin, these materials must be heat-resistant and corrosion-resistant and must not cause any negative effects on the health of the sauna users.
- The height of the sauna cabin must be at least 2.0 m.
- Observe the specifications on volumes and on ventilation of the sauna cabin in chapter **10. Technical data**.
- When positioning the sauna heater, observe the minimum safety distances (see chapter **4.2. Safety distances**).
- Also comply with the regulations applicable at the installation location.
- For your own safety, consult your supplier in the event of problems that are not explained in sufficient detail in the installation instructions.

2.3. Safety information for the user

- The device must not be used by children under 8 years of age.
- The device may only be used by children over 8 years of age, by persons with limited psychological, sensory or mental capabilities or by persons with lack of experience/knowledge under the following conditions:
 - They are supervised.
 - They have been shown how to use the device safely and are aware of the hazards that could occur.
- Children must not play with the device.
- Children under 14 years of age may only clean the device if they are supervised.
- For health reasons, do not use the sauna when under the influence of alcohol, medication or drugs.
- Never operate the sauna heater without sauna stones, as this can cause fires.
- Make sure that no flammable objects have been placed on the sauna heater before the sauna control unit is switched on.
- Heat up the sauna heater for half an hour **BEFORE** using the sauna for the first time. Do **NOT** remain in the sauna cabin during this period. Then ventilate the sauna cabin well (see **5.2. Heating for the first time** on page **20**).
- Never touch the sauna heater while it is operating. The surfaces of the sauna heater and sauna stones become extremely hot.
- For your own safety, consult your supplier in the event of problems that are not described in sufficient detail in the user instructions.

3. Product description

3.1. Scope of delivery

- Sauna heater
- Instructions for installation and use

3.2. Accessories

<i>Accessories</i>	<i>Item number</i>
Safety shut-off	CP-R-SWL
Bracket set for heater railing	CP-R-HSR
LINDEN wooden railing, small (9 – 10.5 kW)	CP-R-L1
LINDEN wooden railing, large (12 – 15 kW)	CP-R-L2
WALNUT wooden railing, small (9 – 10.5 kW)	CP-R-N1
WALNUT wooden railing, large (12 – 15 kW)	CP-R-N2
Emotion railingset LINDEN small (9 - 10,5 kW)	CPR-EMO-L1
Emotion railingset LINDEN large (12 - 15 kW)	CPR-EMO-L2
Emotion railingset WALNUT small (9 - 10.5 kW)	CPR-EMO-N1
Emotion railingset WALNUT large (12 - 15 kW)	CPR-EMO-N2
Power booster	O-S2-18 / O-S2-18S /O-S2-30

3.3. Product functions

The Concept R sauna heater is a Finnish sauna heater and makes it possible to produce a typical Finnish sauna climate of 80 to 100 °C with an air humidity of approximately 10%.

4. Installation and connection

Take the following points into account when positioning and connecting the sauna heater:



WARNING!

Danger of electric shock

- The sauna heater may only be installed and connected when the power supply is disconnected.
-

- The electrical connection may only be performed by a qualified electrician or similarly qualified person.
- A fully disconnecting all-pole isolating device compliant with overvoltage category III must be fitted on site.
- The Concept R sauna heater is a free-standing heater. It does not need to be attached to the floor or sauna wall.
- Do not place the sauna heater on a floor made from an easily flammable material such as wood or plastic. Suitable flooring includes ceramic tiles, for example.

EN

4.1. Installation location and sensor position

Position the heater centrally in front of the air intake opening in the cabin wall. Observe the safety distances to the cabin wall specified in **Fig. 1** and **Fig. 2**.

Install the temperature sensor with excess temperature cut-out to the cabin wall above the centre of the sauna heater. Maintain a distance of 15 cm to the sauna cabin roof.



If there is sufficient ventilation, the Concept R sauna heater can also be set up as a free-standing device. In this case, fit the temperature sensor to the cabin roof above the centre of the heater.

4.2. Safety distances

Observe the minimum safety distances specified in **Fig. 1** and **Fig. 2**.

Fig. 1 Safety distances for Concept R 9 kW and 10.5 kW
(CP-RB-090 / CP-RB-105)
Measurements in mm

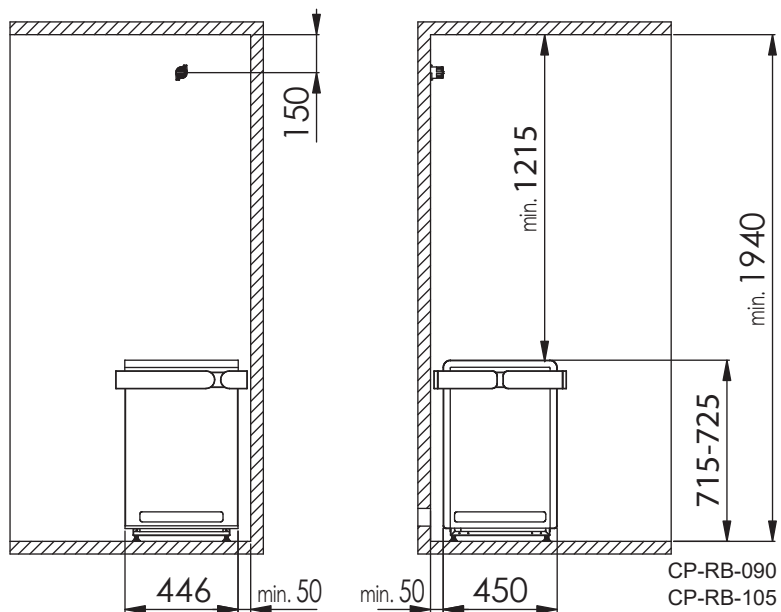
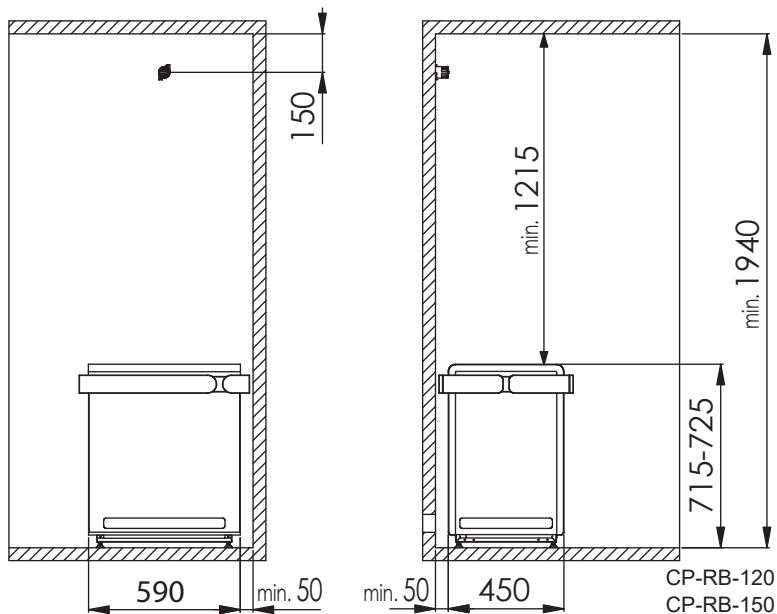


Fig. 2 Safety distances for Concept R 12 kW and 15 kW
(CP-RB-120 / CP-RB-150)
Measurements in mm

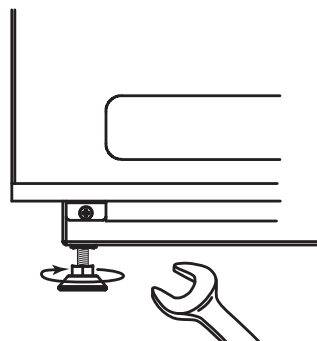


EN

4.3. Adjusting the height

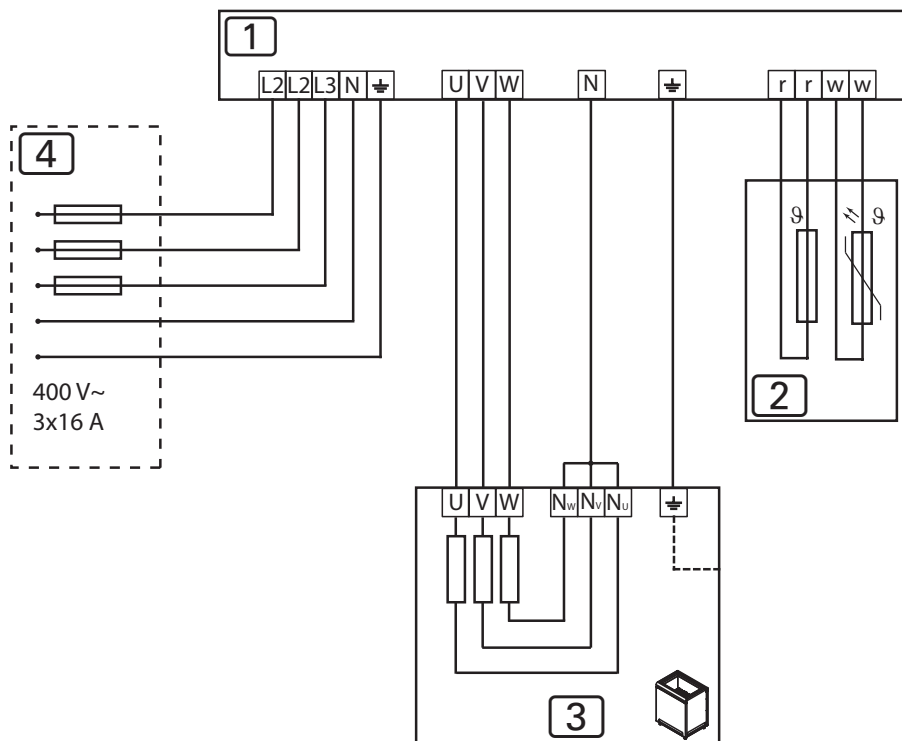
The Concept R sauna heater has height-adjustable feet. The height can therefore be set between 715 mm and 725 mm. Each foot can be set individually, making it possible to adapt the sauna heater to uneven floors.

1. Loosen the sauna heater foot using an open-ended spanner (13 mm).
2. Lift the sauna heater slightly and turn the foot to the right to reduce the height. Turn to the left to increase the height.
3. Retighten the foot using the open-ended spanner.



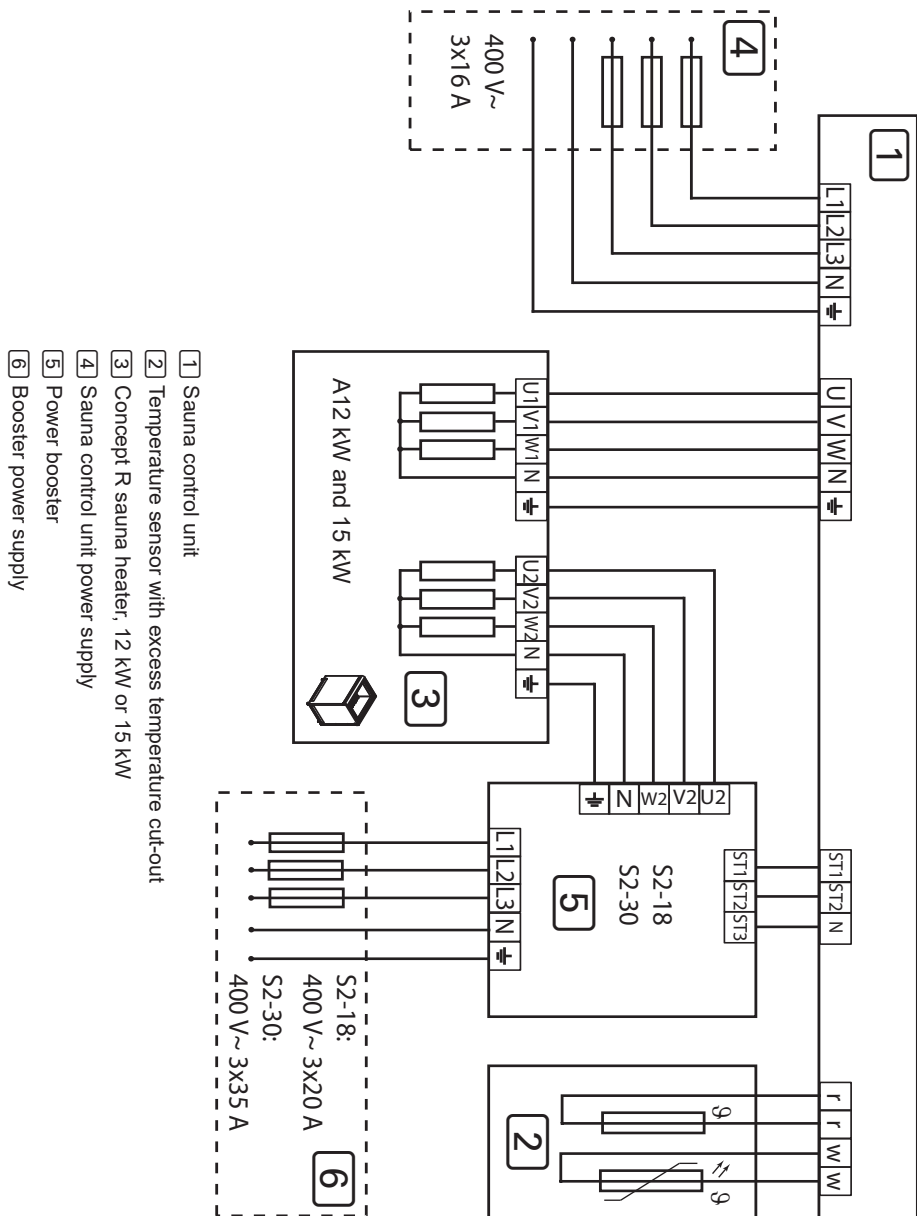
4.4. Connection diagram for 400 V 3N~

Fig. 3 Connection diagram for Concept R 9 kW and 10.5 kW (CP-RB-090 / CP-RB-105)



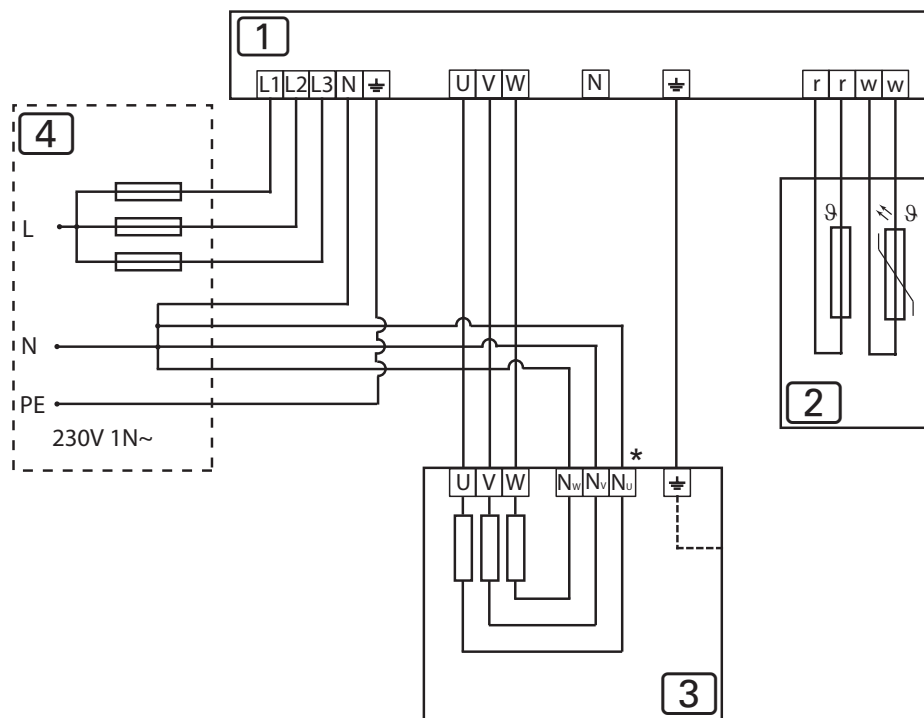
- 1 Sauna control unit
- 2 Temperature sensor with excess temperature cut-out
- 3 Sauna heater, 9 kW or 10.5 kW
- 4 Power supply

Fig. 4 Connection diagram for Concept R 12 kW and 15 kW (CP-RB-120 / CP-RB-150)



4.5. Connection diagram for 230 V 1N~

Fig. 5 Connection diagram for Concept R 9 kW and 10.5 kW (CP-RB-090 / CP-RB-105)



1 Sauna control unit

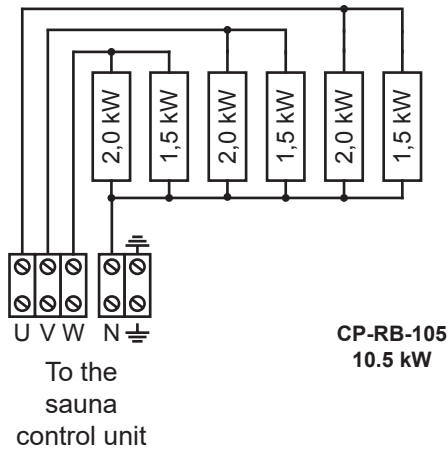
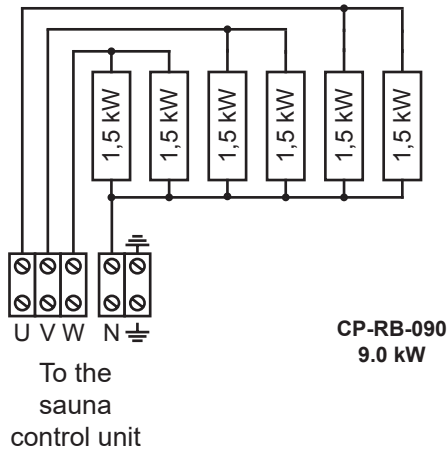
2 Temperature sensor with excess temperature cut-out

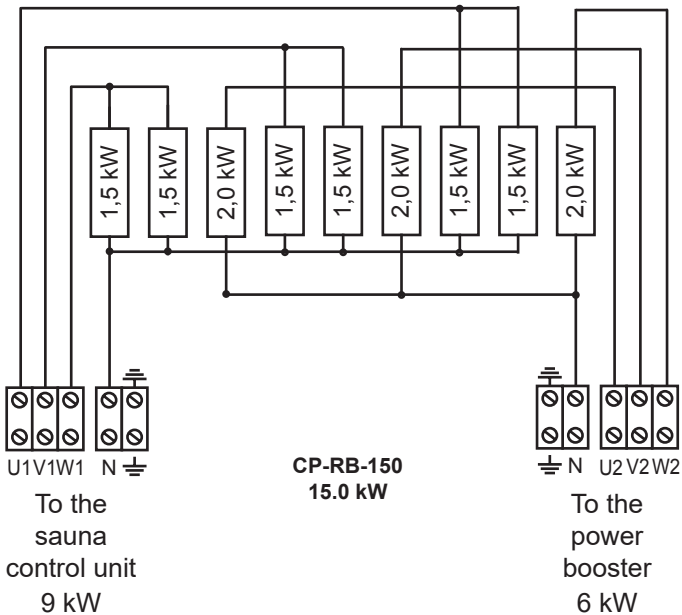
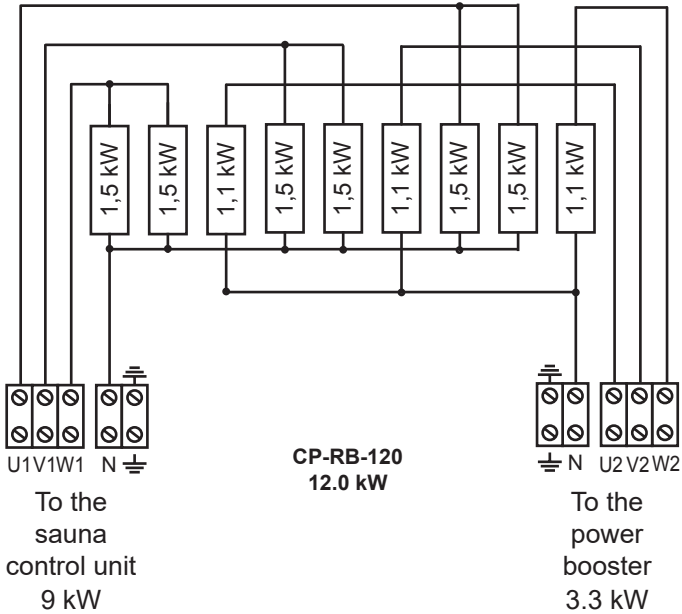
3 Sauna heater, 9 kW or 10.5 kW

4 Power supply

* Remove the copper bridge

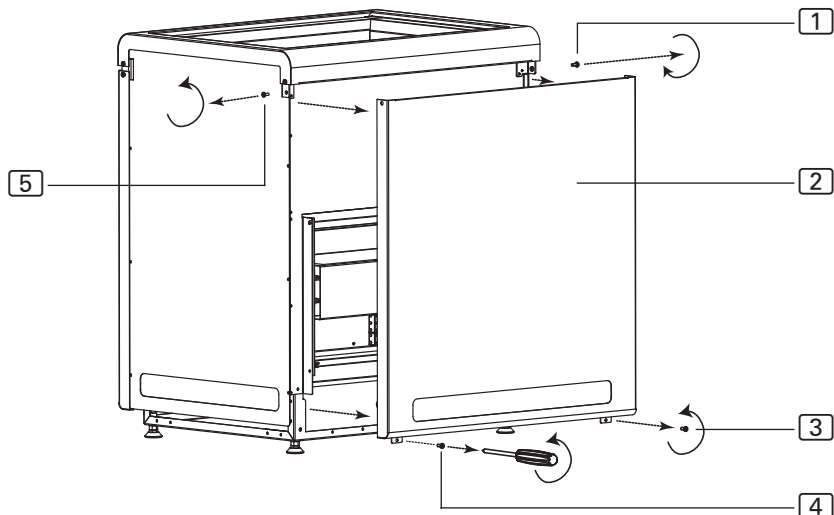
4.6. Wiring diagrams





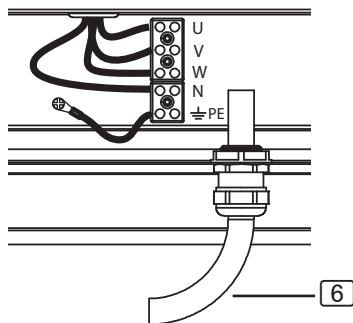
4.7. Electrical connection

1. Unscrew the screws **3** and **4** with a screwdriver.
2. Unscrew the screws **1** and **5** with a screwdriver.
3. Remove the cover plate **2**.



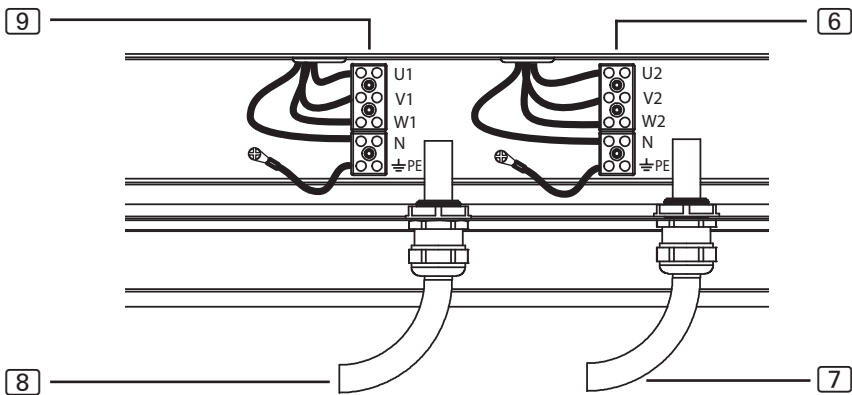
Connection of Concept R 9 kW and 10.5 kW (CP-RB-090 / CP-RB-105)

1. Guide the connection cable through the feed-through **6**.
2. Connect the connectors of the connection cable to the U – V – W – N – PE terminals of the sauna heater and to the applicable sauna control unit terminals. Observe the installation instructions for the sauna control unit when doing so.
3. Reattach the cover panel **2** to the heater.



**Connection of Concept R 12 kW and 15 kW
(CP-RB-120 / CP-RB-150)**

1. Guide the connection cable for the sauna control unit through the feed-through [8].
2. Connect the connectors of this connection cable to the U1 – V1 – W1 – N – PE terminals on the connector block [9] and to the applicable sauna control unit terminals. Observe the installation instructions for the sauna control unit when doing so.
3. Guide the booster cable through the feed-through [7].
4. Connect the connectors of the booster cable to the U2 – V2 – W2 – N – PE terminals on the connector block [6] and to the applicable booster terminals. Observe the installation instructions of the booster when doing so.
5. Reattach the cover panel [2] to the heater.



- [6] Connector block for the booster
- [7] Feed-through for the booster cable
- [8] Connector block for the sauna control unit
- [9] Feed-through for the connection cable for the sauna control unit

5. Commissioning

5.1. Filling the stone container

**WARNING!*****Risk of fire due to overheating***

If the sauna heater is used without sauna stones, the cabin walls will become extremely hot. This could cause fires.

- NEVER operate the sauna heater without the sauna stones.
-

The amount of stones suited to your heater output can be found in chapter **10. Technical data** (see page **25**).

1. Wash the stones thoroughly using water and a brush before use. Do not use any cleaning additives.
2. Before filling the heater with the sauna stones, check them for foreign objects and remove any remaining packaging.
3. Place the stones in the stone container. Stack the sauna stones loosely so that air can flow through the gaps.
4. Make sure that the sauna stones do not protrude beyond the edge of the stone container.

5.2. Heating for the first time



CAUTION!

Formation of smoke and odours when heating up for the first time

Materials used during the manufacturing process will be present on the new heating elements. These evaporate when the sauna heater is heated up for the first time. This produces smoke and an unpleasant odour. Breathing in the fumes or smoke can be harmful to your health.

Perform the following steps when **operating the sauna heater for the first time** and if the **heating elements for the sauna heater have been replaced**. This prevents damage to health due to the fumes and smoke produced when heating for the first time.

1. Select the highest possible temperature on the sauna control unit.
2. Heat up the sauna heater for half an hour.
Do NOT remain in the sauna cabin during this period.
3. Allow the sauna cabin to ventilate thoroughly after heating for the first time.
4. If no smoke or odours form the next time the sauna heater is heated, you can start to use the sauna.
If smoke or odour is produced again, leave the sauna cabin immediately and repeat the initial heating up process followed by ventilation.

6. Operation



WARNING!

Risk of fire

Combustible objects that are placed on the heater will ignite and cause fires.

- NEVER place combustible objects on the sauna heater.
- Make sure that NO flammable objects have been placed on the heater before operating it.

6.1. Operating the sauna heater

A sauna control unit is used to operate the sauna heater. For information on how to operate the sauna control unit, read the operating instructions for the device used. Please note that only sauna control units without a remote start function are permitted for use with the Concept R sauna heater.



With the optional safety shutdown feature (CP-R-SWL), the Concept R sauna heater is also suitable for sauna control units WITH a remote start function.

EN

6.2. Infusion

At the end of the sauna session, you can pour an infusion of water over the stones. Pour water over the stones using a sauna ladle. The water evaporates and the humidity in the sauna cabin increases.

When pouring water over the stones, observe the following points:

- Only use tap water. Sea water, hard water and chlorinated water can damage the sauna heater.
- Only use fragrances and essential oils that are suitable for use in saunas. Follow the manufacturer's instructions on the packaging of the scented substance.
- Do not pour the water onto the stones too quickly. Only this way will all the water evaporate completely.

7. Maintenance

7.1. Extended periods of non-use

Moisture can accumulate in the heating rods in humid ambient conditions or during long periods of non-use. This is a physical process and not a manufacturing fault. Accumulation of moisture in the heating rods can lead to the FI circuit breaker being triggered. In this case, contact an electrician to correct the fault (see chapter **9. Problem-solving by the installer**).



Heat the sauna heater for approximately 15 minutes every 5 to 6 weeks. This prevents moisture from building up on the heating rods during extended periods of non-use.

7.2. Cleaning the sauna heater

Make sure that the ventilation openings are free of lint and dust. This prevents the air circulation in the sauna heater from being restricted and prevents the device from overheating.

7.3. Changing the sauna stones

Sauna stones are subject to stress by the water poured on them, and by large fluctuations in temperature which occur during use. The sauna stones can become weak and brittle.

Check the sauna stones at regular intervals and replace the stones at least once a year.



WARNING!

Risk of fire due to overheating

If the sauna heater is used without sauna stones, the cabin walls will become extremely hot. This could cause fires.

- NEVER operate the sauna heater without the sauna stones.
-

1. Remove the old sauna stones.
2. Clear the stone container of limescale deposits, dust and other contamination.
3. Wash the stones thoroughly using water and a brush before use. Do not use any cleaning additives.
4. Before filling the heater with the sauna stones, check them for foreign objects and remove any remaining packaging.
5. Place the stones in the stone container. Stack the sauna stones loosely so that air can flow through the gaps.
6. Make sure that the sauna stones do not protrude beyond the edge of the stone container.

8. Disposal



- Please dispose of packaging materials in accordance with the applicable disposal regulations.
- Used appliances contain reusable materials as well as hazardous substances. Therefore, do not dispose of your used appliance with household waste, but rather do so in accordance with the locally applicable regulations.

9. Problem-solving by the installer

Baking out of the heating rods

Moisture can accumulate in the heating rods in humid ambient conditions or during long periods of non-use. This is a physical process and not a manufacturing fault. Under certain circumstances, accumulation of moisture in the heating rods can lead to the FI circuit breaker being triggered.

In this case, it is necessary to bake out the sauna heater under the supervision of an electrician. To do this, the protective function of the FI circuit breaker must be switched off. The baking out procedure takes approximately 10 minutes. The safety function of the FI circuit breaker must subsequently be reactivated.

If the problem persists, consult your supplier.

10. Technical data

The dimensions of the various power rating versions can be found in **Fig. 6** and **Fig. 7** on page **26**.

<i>Item number</i>	<i>Power rating [kW]</i>	<i>Cabin volume [m³]</i>	<i>Minimum size of ventilation opening [mm]</i>	<i>Weight without stones [kg]</i>
CP-RB-090	9.0	9 – 14	350 x 50	34
CP-RB-105	10.5	10 – 15	350 x 60	34
CP-RB-120	12.0	14 – 18	350 x 70	40
CP-RB-150	15.0	18 – 25	350 x 90	40

<i>Item number</i>	<i>Stone weight [kg]</i>	<i>Fuse [A]</i>	<i>Supply voltage</i>
CP-RB-090	approx. 25	3 x 16	400 V AC 3N~ 50/60 Hz 230 V AC 1N~ 50/60 Hz
CP-RB-105	approx. 25	3 x 16	400 V AC 3N~ 50/60 Hz 230 V AC 1N~ 50/60 Hz
CP-RB-120	approx. 35	3 x 16 / 3 x 10	400 V AC 3N~ 50/60 Hz
CP-RB-150	approx. 35	3 x 16 / 3 x 10	400 V AC 3N~ 50/60 Hz

<i>Item number</i>	<i>Heating rods</i>
CP-RB-090	6 x SCA150 (1-028-518)
CP-RB-105	3 x SCA150 (1-028-518) / 3 x SCA200 (1-028-503)
CP-RB-120	6 x SCA150 (1-028-518) / 3 x CPRM115 (1-043-621)
CP-RB-150	6 x SCA150 (1-028-518) / 3 x SCA200 (1-028-503)

Fig. 6 Dimensions of Concept R 9 kW and 10.5 kW
(CP-RB-090 / CP-RB-105)
Measurements in mm

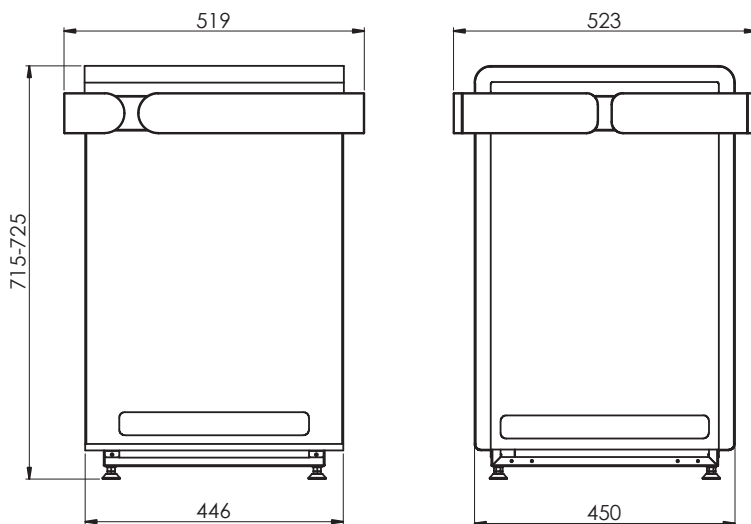
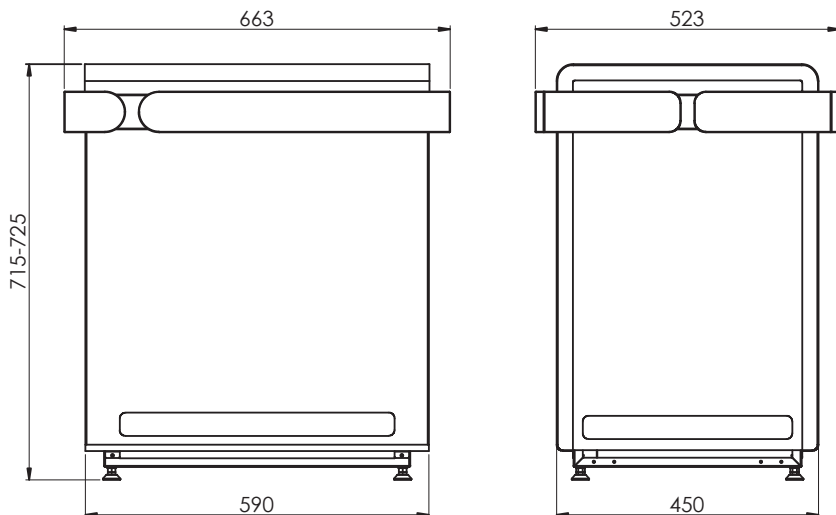


Fig. 7 Dimensions of Concept R 12 kW and 15 kW
(CP-RB-120 / CP-RB-150)
Measurements in mm



Saunaofen

Concept R black

CP-RB-090 / 1-027-768: Concept R 9,0 kW black

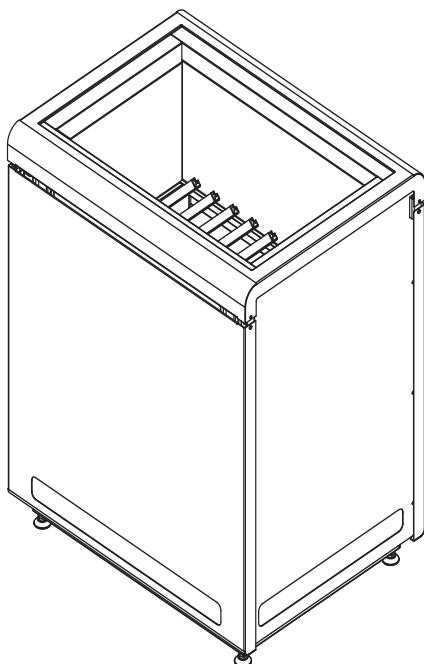
CP-RB-105 / 1-027-769: Concept R 10,5 kW black

CP-RB-120 / 1-027-770: Concept R 12,0 kW black

CP-RB-150 / 1-027-771: Concept R 15,0 kW black

MONTAGE- UND GEBRAUCHSANWEISUNG Deutsch

DE



Inhaltsverzeichnis

1. Zu dieser Anleitung	4
2. Wichtige Hinweise zu Ihrer Sicherheit	5
2.1. Bestimmungsgemäßer Gebrauch	5
2.2. Sicherheitshinweise für den Monteur	5
2.3. Sicherheitshinweise für den Anwender	7
3. Produktbeschreibung	8
3.1. Lieferumfang	8
3.2. Zubehör	8
3.3. Produktfunktionen	8
4. Montage und Anschluss	9
4.1. Aufstellort und Fühlerposition	9
4.2. Sicherheitsabstände	10
4.3. Höhe verstellen	11
4.4. Anschlussplan 400V 3N~	12
4.5. Anschlussplan 230V 1N~	14
4.6. Verdrahtungsschemen	15
4.7. Elektrischer Anschluss	17
5. Inbetriebnahme	19
5.1. Steinebehälter füllen	19
5.2. Erstmaliges Aufheizen	20
6. Bedienung	21
6.1. Saunaofen bedienen	21
6.2. Aufgießen	21

7. Wartung	22
7.1. Längere Betriebspausen.....	22
7.2. Saunaofen reinigen.....	22
7.3. Saunasteine wechseln.....	22
8. Entsorgung	23
9. Problemlösung durch den Monteur	24
10. Technische Daten	25

1. Zu dieser Anleitung

Lesen Sie diese Montage- und Gebrauchsanweisung gut durch und bewahren Sie sie in der Nähe der Sauna auf. So können Sie jederzeit Informationen zu Ihrer Sicherheit und zur Bedienung nachlesen.



Sie finden diese Montage- und Gebrauchsanweisung auch im Downloadbereich unserer Webseite auf www.sentiotec.com/downloads.

Symbole in Warnhinweisen

In dieser Montage- und Gebrauchsanweisung ist vor Tätigkeiten, von denen eine Gefahr ausgeht, ein Warnhinweis angebracht. Befolgen Sie diese Warnhinweise unbedingt. So vermeiden Sie Sachschäden und Verletzungen, die im schlimmsten Fall sogar tödlich sein können.

In den Warnhinweisen werden Signalwörter verwendet, die folgende Bedeutungen haben:



GEFAHR!

Wenn Sie diesen Warnhinweis nicht beachten, sind Tod oder schwere Verletzungen die Folge.



WARNUNG!

Wenn Sie diesen Warnhinweis nicht beachten, können Tod oder schwere Verletzungen die Folge sein.



VORSICHT!

Wenn Sie diesen Warnhinweis nicht befolgen, können leichte Verletzungen die Folge sein.

ACHTUNG!

Dieses Signalwort warnt Sie vor Sachschäden.

Andere Symbole



Dieses Symbol kennzeichnet Tipps und nützliche Hinweise.



Nicht abdecken!



Bedienungsanleitung lesen

2. Wichtige Hinweise zu Ihrer Sicherheit

Der Saunaofen Concept R ist nach anerkannten sicherheitstechnischen Regeln gebaut. Dennoch können bei der Verwendung Gefahren entstehen. Befolgen Sie deshalb die folgenden Sicherheitshinweise und die speziellen Warnhinweise in den einzelnen Kapiteln.

2.1. Bestimmungsgemäßer Gebrauch

Der Saunaofen Concept R darf nur zur Erwärmung von Saunakabinen in Kombination mit einer Saunasteuerung ohne Fernstartfunktion verwendet werden.

Nur in Kombination mit der optional erhältlichen Sicherheitsabschaltung (CP-R-SWL) darf der Saunaofen Concept R auch mit einer Saunasteuerung, die über eine Fernstartfunktion verfügt, betrieben werden.

Nur in Kombination mit der optional erhältlichen Sicherheitsabschaltung (CP-R-SWL) darf der Saunaofen Concept R auch in öffentlichen Saunen eingesetzt werden.

DE

Jeder darüber hinausgehende Gebrauch gilt als nicht bestimmungsgemäß. Nicht bestimmungsgemäßer Gebrauch kann zur Beschädigung des Produkts, zu schweren Verletzungen oder Tod führen.

2.2. Sicherheitshinweise für den Monteur

- Montage- und Anschlussarbeiten am Saunaofen dürfen nur im spannungsfreien Zustand durchgeführt werden.
- Die Montage darf nur durch eine Elektrofachkraft oder eine vergleichsweise qualifizierte Person ausgeführt werden.

- Es ist bauseits eine allpolige Trennvorrichtung mit voller Abschaltung entsprechend der Überspannungskategorie III vorzusehen.
- Verwenden Sie zum Anschluss des Saunaofens ausschließlich bis 150 °C temperaturbeständige Silikonleitungen.
- Installieren Sie nur einen Saunaofen in der Kabine. Der Saunaofen Concept R darf nicht gemeinsam mit anderen Saunaofen in einer Saunakabine verwendet werden.
- Decken und Wände der Saunakabine sind aus harzarmen, unbehandelten oder thermisch behandelten Hölzern, z.B. nordischer Fichte, Hemlock, Kiefer oder Tanne, oder aus Holzlagen-Werkstoffen herzustellen. Bei Verwendung von Holzlagen-Werkstoffen ist darauf zu achten, dass deren Klebstoffe kein Formaldehyd abgeben. Werden andere Werkstoffe als Holz in der Saunakabine eingesetzt, müssen diese Materialien hitze- und korrosionsbeständig sein und dürfen keine negativen Auswirkungen auf die Gesundheit der Saunagäste haben.
- Die Höhe der Saunakabine muss mindestens 2,0 m betragen.
- Beachten Sie die Vorgaben zum Volumen und zur Belüftung der Saunakabine in Kapitel **10. Technische Daten**.
- Beachten Sie beim Aufstellen des Saunofens die minimalen Sicherheitsabstände (siehe Kapitel **4.2. Sicherheitsabstände**).
- Beachten Sie auch die örtlichen Bestimmungen am Aufstellort.
- Bei Problemen, die in den Montageanweisungen nicht ausführlich genug behandelt werden, wenden Sie sich zu Ihrer eigenen Sicherheit an Ihren Lieferanten.

2.3. Sicherheitshinweise für den Anwender

- Das Gerät darf nicht von Kindern unter 8 Jahren verwendet werden.
- Das Gerät darf von Kindern über 8 Jahren, von Personen mit verringerten psychischen, sensorischen oder mentalen Fähigkeiten und von Personen mit Mangel an Erfahrung und Wissen unter folgenden Bedingungen verwendet werden:
 - wenn sie beaufsichtigt werden.
 - wenn ihnen die sichere Verwendung gezeigt wurde und sie die Gefahren, die entstehen können, verstehen.
- Kinder dürfen nicht mit dem Gerät spielen.
- Kinder unter 14 Jahren dürfen das Gerät nur reinigen, wenn sie beaufsichtigt werden.
- Wenn Sie unter dem Einfluss von Alkohol, Medikamenten oder Drogen stehen, verzichten Sie aus gesundheitlichen Gründen auf das Saunabad.
- Nehmen Sie den Saunaofen niemals ohne Saunasteine in Betrieb, da dies Brände verursachen kann.
- Stellen Sie sicher, dass keine brennbaren Gegenstände auf dem Saunaofen liegen, bevor Sie die Saunasteuerung einschalten.
- Heizen Sie VOR dem ersten Saunabad den Saunaofen für eine halbe Stunde auf. Halten Sie sich während dieser Zeit NICHT in der Saunkabine auf. Lüften Sie anschließend die Saunakabine gut durch (siehe **5.2. Erstmaliges Aufheizen** auf Seite 20).
- Berühren Sie niemals den Saunaofen während des Betriebs. Die Oberfläche des Saunaofens und die Saunasteine werden sehr heiß.
- Bei Problemen, die in der Gebrauchsanweisung nicht ausführlich genug behandelt werden, wenden Sie sich zu Ihrer eigenen Sicherheit an Ihren Lieferanten.

3. Produktbeschreibung

3.1. Lieferumfang

- Saunaofen
- Montage- und Gebrauchsanweisung

3.2. Zubehör

<i>Zubehör</i>	<i>Artikelnummer</i>
Sicherheitsabschaltung	CP-R-SWL
Halterungsset für Ofenreling	CP-R-HSR
LINDE Holzreling klein (9 - 10,5 kW)	CP-R-L1
LINDE Holzreling groß (12 - 15 kW)	CP-R-L2
WALNUSS Holzreling klein (9 - 10,5 kW)	CP-R-N1
WALNUSS Holzreling groß (12 - 15 kW)	CP-R-N2
Emotion Relingset LINDE klein (9 - 10,5 kW)	CPR-EMO-L1
Emotion Relingset LINDE groß (12 - 15 kW)	CPR-EMO-L2
Emotion Relingset WALNUSS klein (9 - 10,5 kW)	CPR-EMO-N1
Emotion Relingset WALNUSS groß (9 - 10,5 kW)	CPR-EMO-N2
Leistungserweiterung	O-S2-18 / O-S2-18S / O-S2-30

3.3. Produktfunktionen

Der Saunaofen Concept R ist ein finnischer Saunaofen und ermöglicht die Erzeugung des für die finnische Sauna typischen Saunaklimas von 80 bis 100 °C bei einer Luftfeuchtigkeit von ca. 10 %.

4. Montage und Anschluss

Berücksichtigen Sie folgende Punkte beim Aufstellen und beim Anschluss des Saunaofens:



WARNUNG!

Stromschlag-Gefahr

- Führen Sie Montage- und Anschlussarbeiten am Saunaofen nur im spannungsfreien Zustand durch.

- Der elektrische Anschluss darf nur durch eine Elektrofachkraft oder eine vergleichsweise qualifizierte Person ausgeführt werden.
- Es ist bauseits eine allpolige Trennvorrichtung mit voller Abschaltung entsprechend der Überspannungskategorie III vorzusehen.
- Der Saunaofen Concept R ist ein Standofen. Eine Befestigung am Boden oder an der Saunawand ist nicht notwendig.
- Platzieren sie den Saunaofen nicht auf einem Boden aus einem leicht brennbarem Material wie Holz oder Kunststoff. Geeignete Bodenbeläge sind z.B. Keramikfliesen.

4.1. Aufstellort und Fühlerposition

Stellen Sie den Ofen mittig vor die Lufteintrittsöffnung in der Kabinenwand. Halten Sie dabei die in **Abb.1** und **Abb.2** angegebenen Sicherheitsabstände zur Kabinenwand ein.

Montieren Sie den Temperaturfühler mit Übertemperatur-Sicherung an der Kabinenwand oberhalb der Mitte des Saunaofens. Halten Sie einen Abstand von 15 cm zur Kabinendecke ein.



Wenn für ausreichende Belüftung gesorgt wird, kann der Saunaofen Concept R auch freistehend aufgestellt werden. Montieren Sie in diesem Fall den Temperaturfühler an der Kabinendecke über der Ofenmitte.

4.2. Sicherheitsabstände

Beachten Sie die in der **Abb.1** und **Abb.2** angegebenen minimalen Sicherheitsabstände.

Abb.1 Sicherheitsabstände Concept R 9 kW und 10,5 kW
(CP-RB-090 / CP-RB-105)
Maße in mm

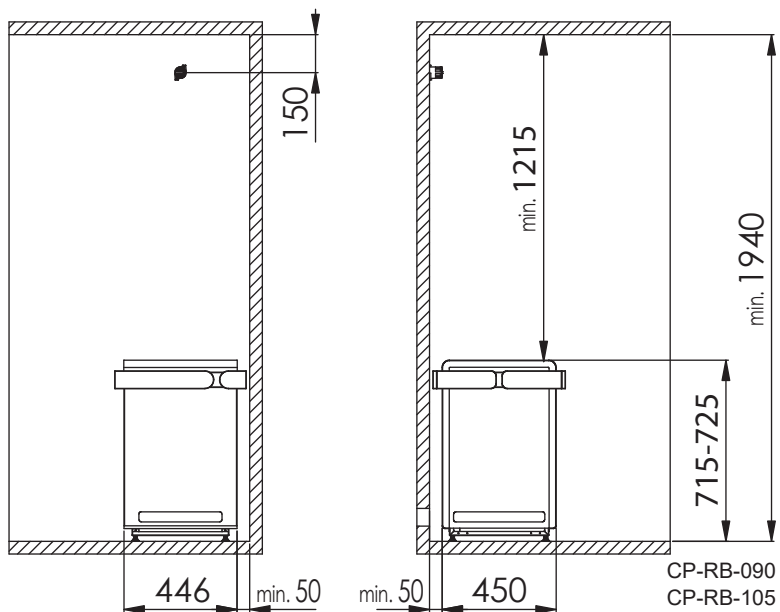
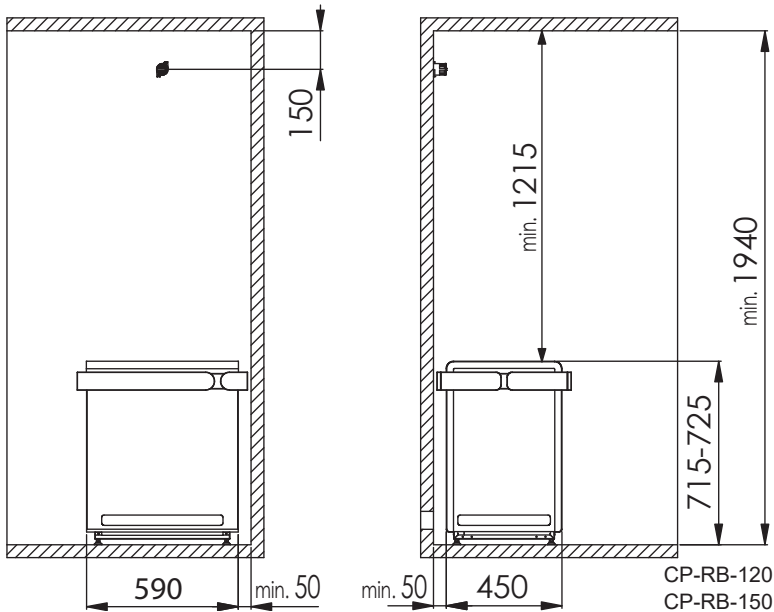


Abb.2 Sicherheitsabstände Concept R 12 kW und 15 kW
(CP-RB-120 / CP-RB-150)
Maße in mm

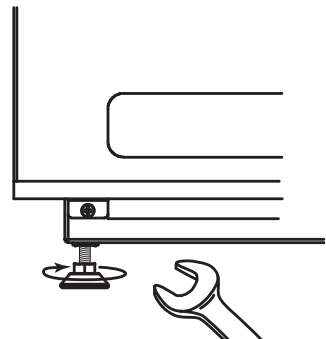


DE

4.3. Höhe verstellen

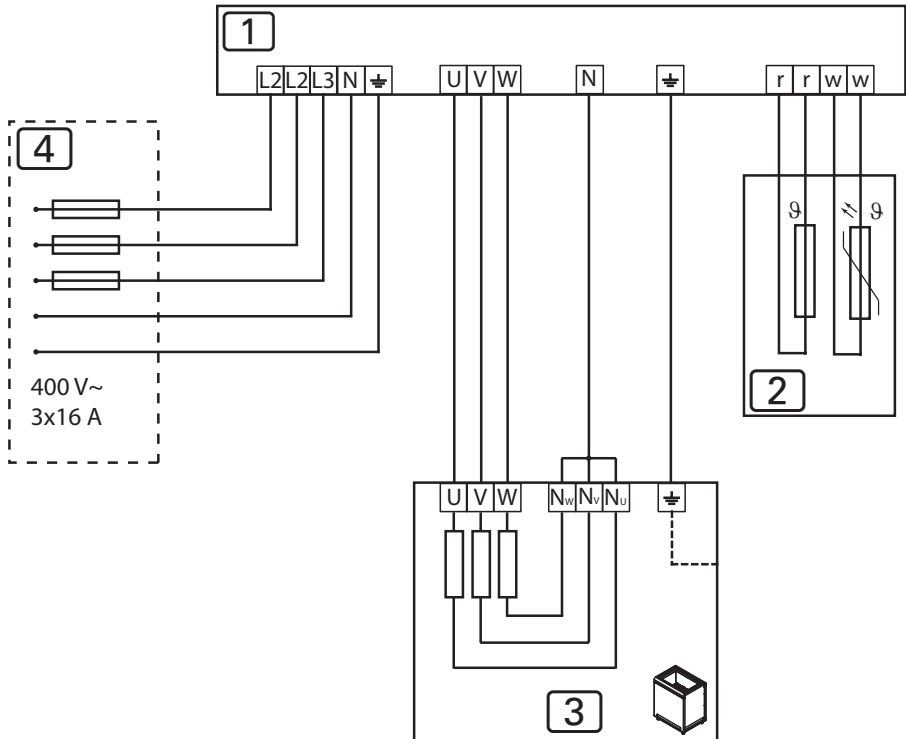
Der Saunaofen Concept R verfügt über höhenverstellbare Standfüße. Dadurch kann die Höhe des Saunaofens von 715 mm bis 725 mm eingestellt werden. Da die Höhe jedes Standfußes individuell eingestellt werden kann, ist eine Anpassung an nicht ebene Böden möglich.

1. Lösen Sie den Standfuß des Saunaofens mit einem Gabelschlüssel (13 mm).
2. Heben Sie den Saunaofen leicht an und drehen Sie den Fuß nach rechts, um die Höhe zu verringern. Drehen Sie nach links, um die Höhe zu vergrößern.
3. Ziehen Sie den Standfuß mit dem Gabelschlüssel wieder fest.



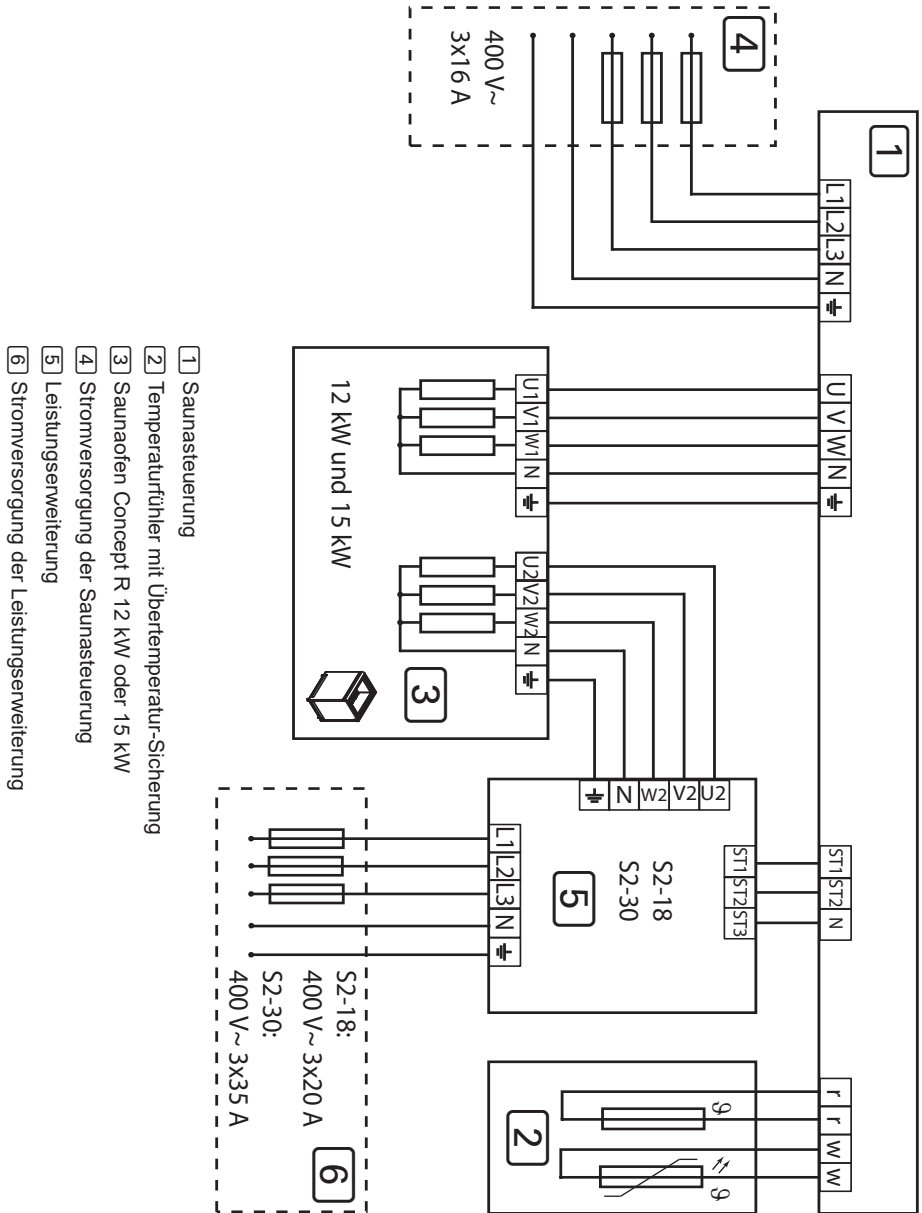
4.4. Anschlussplan 400V 3N~

Abb.3 Anschlussplan Concept R 9 kW und 10,5 kW
(CP-RB-090 / CP-RB-105)



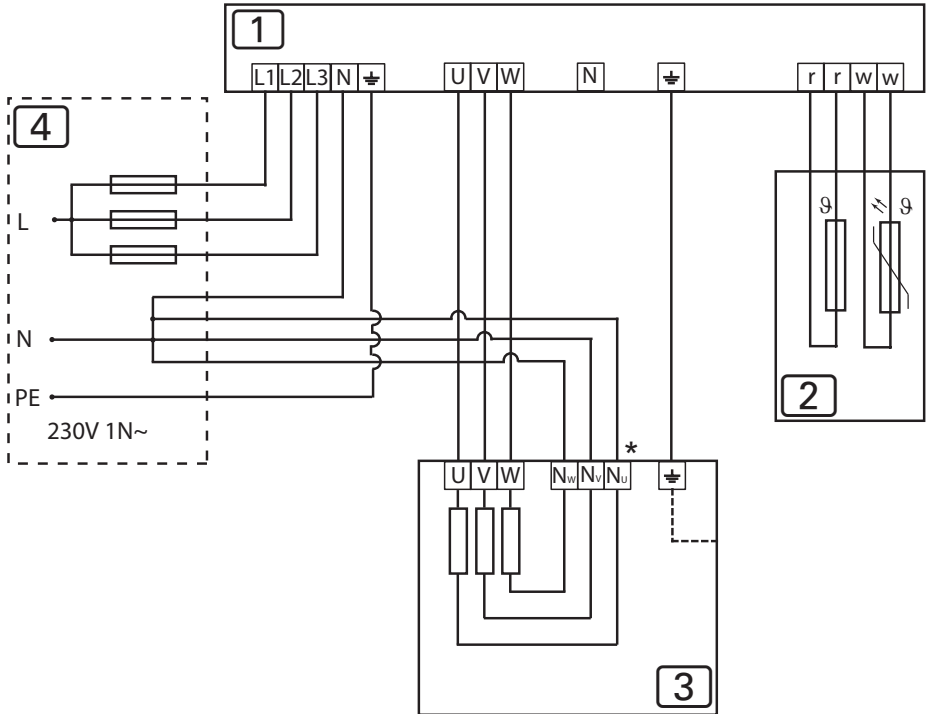
- 1 Saunasteuerung
- 2 Temperaturfühler mit Übertemperatur-Sicherung
- 3 Saunaofen 9 kW oder 10,5 kW
- 4 Stromversorgung

Abb.4 Anschlussplan Concept R 12 kW und 15 kW
(CP-RB-120 / CP-RB-150)



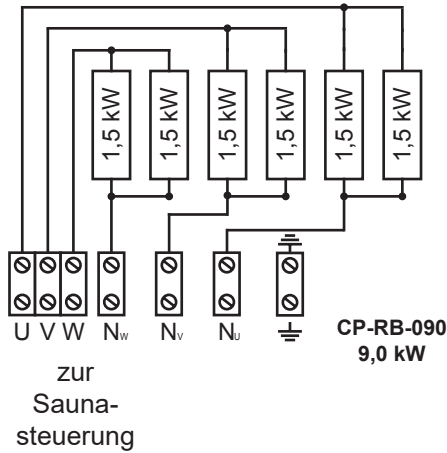
4.5. Anschlussplan 230V 1N~

Abb.5 Anschlussplan Concept R 9 kW und 10,5 kW
(CP-RB-090 / CP-RB-105)

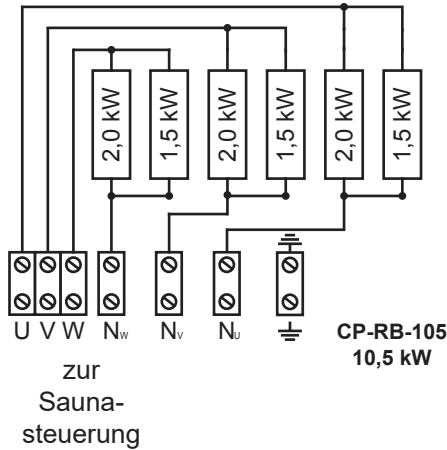


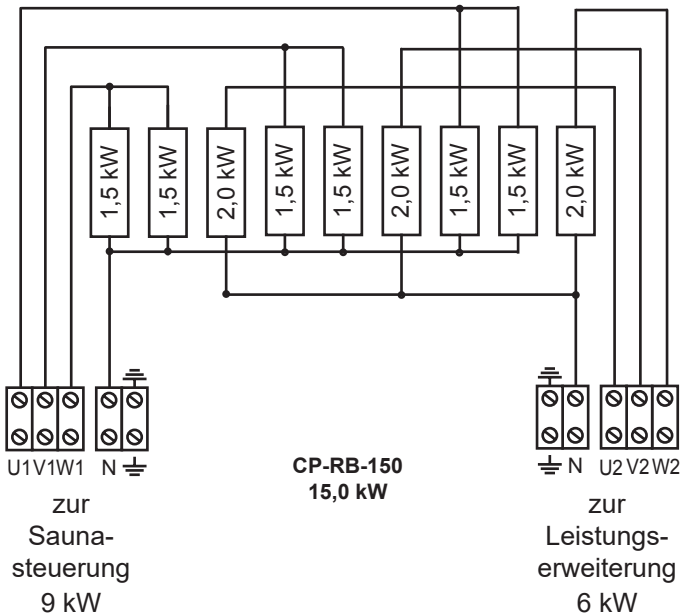
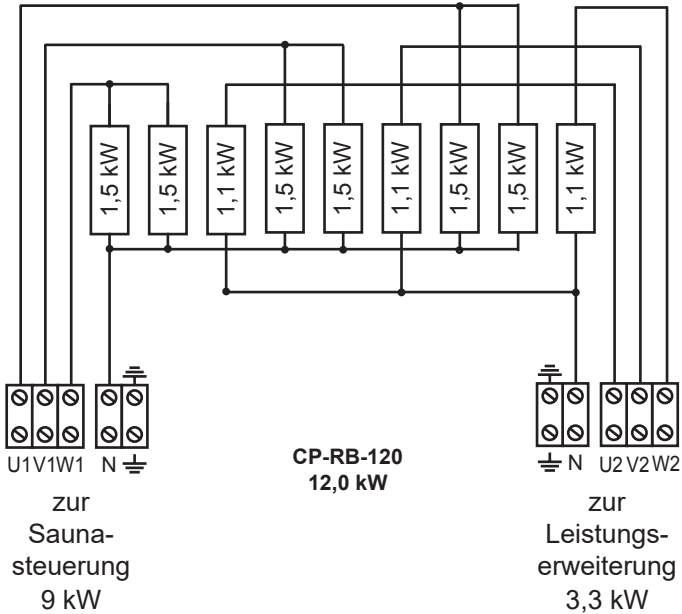
- 1 Saunasteuerung
- 2 Temperaturfühler mit Übertemperatur-Sicherung
- 3 Saunaofen 9 kW oder 10,5 kW
- 4 Stromversorgung
- * Kupfer-Brücke entfernen

4.6. Verdrahtungsschemen



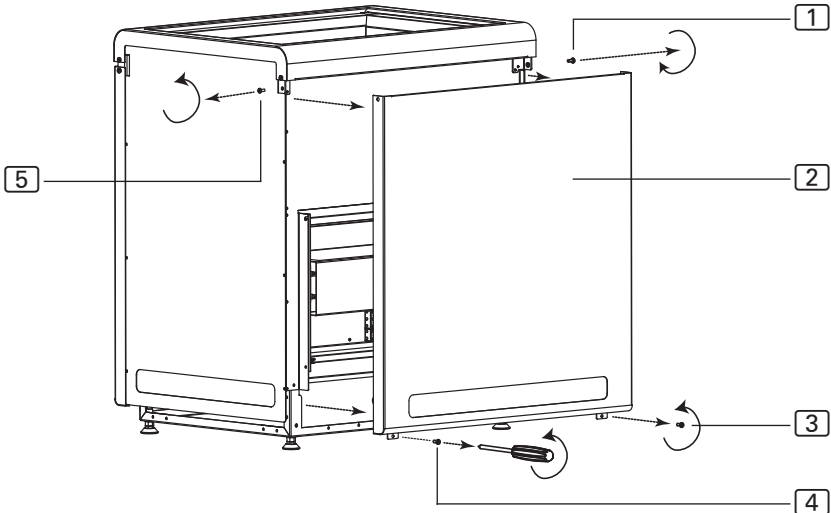
DE





4.7. Elektrischer Anschluss

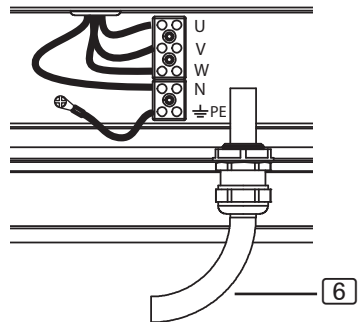
1. Lösen Sie die Schrauben **3** und **4** mit einem Schraubendreher.
2. Lösen Sie die Schrauben **1** und **5** mit einem Schraubendreher.
3. Entfernen Sie das Abdeckblech **2**.



DE

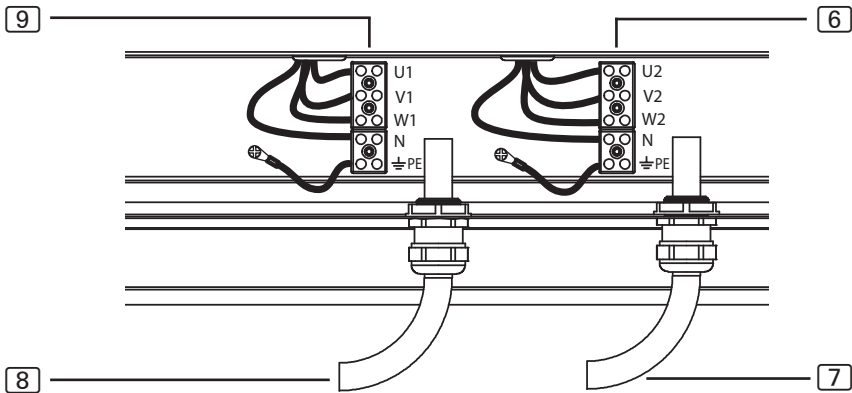
Anschluss Concept R 9 kW und 10,5 kW (CP-RB-090 / CP-RB-105)

1. Führen Sie das Anschlusskabel durch die Durchführung **6**.
2. Schließen Sie die Adern des Anschlusskabels an den Klemmen U – V – W – N – PE des Saunaofens und an den passenden Klemmen der Saunasteuerung an. Beachten Sie dabei die Montageanleitung der Saunasteuerung.
3. Befestigen Sie das Abdeckblech **2** wieder am Saunaofen.



Anschluss Concept R 12 kW und 15 kW (CP-RB-120 / CP-RB-150)

1. Führen Sie das Anschlusskabel für die Saunasteuerung durch die Durchführung **[8]**.
2. Schließen Sie die Adern dieses Anschlusskabels an den Klemmen U1 – V1 – W1 – N – PE an der Anschlussleiste **[9]** und an den passenden Klemmen der Saunasteuerung an. Beachten Sie dabei die Montageanleitung der Saunasteuerung.
3. Führen Sie das Kabel der Leistungserweiterung durch die Durchführung **[7]**.
4. Schließen Sie die Adern des Kabels zur Leistungserweiterung an den Klemmen U2 – V2 – W2 – N – PE an der Anschlussleiste **[6]** und an den passenden Klemmen der Leistungserweiterung an. Beachten Sie dabei die Montageanleitung der Leistungserweiterung.
5. Befestigen Sie das Abdeckblech **[2]** wieder am Saunaofen.



- [6]** Anschlussleiste für die Leistungserweiterung
- [7]** Durchführung für das Kabel zur Leistungserweiterung
- [8]** Anschlussleiste für die Saunasteuerung
- [9]** Durchführung für das Anschlusskabel zur Saunasteuerung

5. Inbetriebnahme

5.1. Steinebehälter füllen

**WARNUNG!*****Brandgefahr durch Überhitzung***

Wird der Saunaofen ohne Saunasteine verwendet, erhitzen sich die Kabinenwände stark. Dadurch können Brände verursacht werden.

- Nehmen Sie den Saunaofen NIEMALS ohne Saunasteine in Betrieb.

Die für Ihre Ofenleistung passende Steinmenge finden Sie in im Kapitel **10. Technische Daten** (siehe Seite **25**).

1. Waschen Sie die Saunasteine vor der Verwendung gründlich mit Bürste und Wasser. Verwenden Sie keine Reinigungszusätze.
2. Prüfen Sie die Steine vor dem Einfüllen in den Saunaofen auf Fremdkörper und entfernen Sie Verpackungsreste.
3. Legen Sie die Saunasteine in den Steinbehälter. Schichten Sie die Saunasteine locker, damit Luft durch die Zwischenräume strömen kann.
4. Achten Sie darauf, dass die Saunasteine nicht über den Rand des Steinbehälters ragen.

5.2. Erstmaliges Aufheizen



VORSICHT!

Rauch- und Geruchsbildung beim ersten Aufheizen

Auf neuen Heizstäben befinden sich Betriebsstoffe aus dem Fertigungsprozess. Diese zersetzen sich beim ersten Aufheizen des Saunaofens. Dabei entsteht Rauch und unangenehmer Geruch. Wenn Sie diese Dämpfe oder den Rauch einatmen, schadet dies Ihrer Gesundheit.

Führen Sie folgende Schritte durch, wenn Sie Ihren Saunaofen **erstmalig in Betrieb** nehmen und wenn die **Heizstäbe Ihres Saunaofens getauscht** wurden. Sie verhindern so Gesundheitsschäden durch Dämpfe und Rauch, die beim ersten Aufheizen entstehen.

1. Wählen Sie an der Saunasteuerung die höchst mögliche Temperatur.
2. Heizen den Saunaofen für eine halbe Stunde auf.
Halten Sie sich während dieser Zeit NICHT in der Saunakabine auf.
3. Lüften Sie nach dem ersten Aufheizen die Saunakabine gut durch.
4. Wenn beim nächsten Aufheizen kein Rauch und kein Geruch mehr entstehen, können Sie mit dem ersten Saunabad beginnen.
Wenn erneut Rauch oder Geruch entsteht, verlassen Sie sofort die Saunakabine und wiederholen Sie das erstmalige Aufheizen mit anschließendem Lüften.

6. Bedienung



WARNUNG!

Brandgefahr

Brennbare Gegenstände, die auf dem heißen Saunaofen liegen, entzünden sich und verursachen Brände.

- Legen Sie **NIEMALS** brennbare Gegenstände auf den Saunaofen.
- Stellen Sie sicher, dass **KEINE** brennbaren Gegenstände auf dem Saunaofen liegen, bevor Sie den Saunaofen in Betrieb nehmen.

6.1. Saunaofen bedienen

Die Bedienung des Saunaofens erfolgt über eine Saunasteuerung. Für Informationen zur Bedienung der Saunasteuerung lesen Sie die Bedienungsanleitung des verwendeten Geräts. Beachten Sie, dass der Saunaofen Concept R nur für Saunasteuerungen ohne Fernstartfunktion geeignet ist.



Mit der optional erhältlichen Sicherheitsabschaltung (CP-R-SWL) ist der Saunaofen Concept R auch für Saunasteuerungen MIT Fernstartfunktion geeignet.

6.2. Aufgießen

Am Ende des Saunaganges können Sie einen Aufguss durchführen. Gießen Sie dazu Wasser mit einer Saunakelle über die Saunasteine. Dadurch wird das Wasser verdampft und die Luftfeuchtigkeit in der Saunakabine erhöht.

Beachten sie beim Aufguss folgende Punkte:

- Verwenden Sie zum Aufgießen nur Leitungswasser. Meerwasser, stark kalkhaltiges und chloriertes Wasser können den Saunaofen beschädigen.
- Verwenden Sie nur Duftstoffe und ätherische Öle, die ausdrücklich für die Verwendung als Aufgussmittel in Saunen geeignet sind. Beachten Sie die Herstellerangaben auf der Verpackung der Aufgussmittel.
- Gießen Sie das Wasser nicht zu schnell über die Saunasteine. Nur dann wird das Aufgusswasser vollständig verdampft.

7. Wartung

7.1. Längere Betriebspausen

Bei feuchten Umgebungsbedingungen oder langen Betriebspausen reichert sich Feuchtigkeit in den Heizstäben an. Dies ist ein physikalischer Vorgang und kein Fehler des Herstellers. Die Feuchtigkeit in den Heizstäben kann zum Auslösen des FI-Schutzschalters führen. Verständigen Sie in diesem Fall zur Fehlerbehebung eine Elektrofachkraft (siehe **9. Problemlösung durch den Monteur**).



Heizen Sie den Saunaofen alle 5 bis 6 Wochen für ca. 15 Minuten auf. So verhindern Sie, dass sich bei längeren Betriebspausen Wasser in den Heizstäben anreichert.

7.2. Saunaofen reinigen

Achten Sie darauf, dass die Belüftungsöffnungen frei von Flusen und Staub sind. So verhindern Sie, dass die Luftzirkulation im Saunaofen eingeschränkt wird und das Gerät überhitzt.

7.3. Saunasteine wechseln

Saunasteine werden durch Aufgussmittel und große Temperaturunterschiede, die bei der Benutzung auftreten, beansprucht. Die Saunasteine können angegriffen und brüchig werden.

Überprüfen Sie die Saunasteine in regelmäßigen Abständen und tauschen Sie die Steine mindestens einmal jährlich.



WARNUNG!

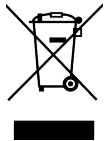
Brandgefahr durch Überhitzung

Wird der Saunaofen ohne Saunasteine verwendet, erhitzen sich die Kabinenwände stark. Dadurch können Brände verursacht werden.

- Nehmen Sie den Saunaofen **NIEMALS** ohne Saunasteine in Betrieb.

1. Entfernen Sie die alten Saunasteine.
2. Befreien Sie den Steinbehälter von Kalkrückständen, Staub und anderen Verunreinigungen.
3. Waschen Sie die Saunasteine vor der Verwendung gründlich mit Bürste und Wasser. Verwenden Sie keine Reinigungszusätze.
4. Prüfen Sie die Steine vor dem Einfüllen in den Saunaofen auf Fremdkörper und entfernen Sie Verpackungsreste.
5. Legen Sie die Saunasteine in den Steinbehälter. Schichten Sie die Saunasteine locker, damit Luft durch die Zwischenräume strömen kann.
6. Achten Sie darauf, dass die Saunasteine nicht über den Rand des Steinbehälters ragen.

8. Entsorgung



- Entsorgen Sie die Verpackungsmaterialien nach den gültigen Entsorgungsrichtlinien.
- Altgeräte enthalten wiederverwendbare Materialien, aber auch schädliche Stoffe. Geben Sie Ihr Altgerät deshalb auf keinen Fall in den Restmüll, sondern entsorgen Sie das Gerät nach den örtlich geltenden Vorschriften.

9. Problemlösung durch den Monteur

Heizstäbe ausheizen

Bei feuchten Umgebungsbedingungen oder langen Betriebspausen kann es zu einer Anreicherung von Feuchtigkeit in den Heizstäben kommen. Dies ist ein physikalischer Vorgang und kein Fehler des Herstellers. Die Feuchtigkeit in den Heizstäben kann unter Umständen zum Auslösen des FI-Schutzschalters führen.

In diesem Fall ist es notwendig, den Saunaofen unter Aufsicht einer Elektrofachkraft auszuheizen. Dabei muss die Schutzfunktion des FI-Schalters außer Kraft gesetzt werden. Der Ausheizvorgang nimmt ca. 10 Minuten in Anspruch. Danach muss die Sicherungsfunktion des FI-Schalters wiederhergestellt werden.

Sollte das Problem weiterhin bestehen, wenden Sie sich an Ihren Lieferanten.

10. Technische Daten

Die Abmessungen der verschiedenen Leistungsvarianten finden Sie in der **Abb.5** und der **Abb.6** auf Seite **26**.

Artikelnummer	Leistung [kW]	Kabinenvolumen [m ³]	Mindestgröße Belüftungsöffnung [mm]	Gewicht ohne Steine [kg]
CP-RB-090	9,0	9 - 14	350 x 50	34
CP-RB-105	10,5	10 - 15	350 x 60	34
CP-RB-120	12,0	14 - 18	350 x 70	40
CP-RB-150	15,0	18 - 25	350 x 90	40

Artikelnummer	Steinmenge [kg]	Absicherung [A]	Versorgung
CP-RB-090	ca. 25	3 x 16	400 V AC 3N~ 50/60 Hz 230 V AC 1N~ 50/60 Hz
CP-RB-105	ca. 25	3 x 16	400 V AC 3N~ 50/60 Hz 230 V AC 1N~ 50/60 Hz
CP-RB-120	ca. 35	3 x 16 / 3 x 10	400 V AC 3N~ 50/60 Hz
CP-RB-150	ca. 35	3 x 16 / 3 x 10	400 V AC 3N~ 50/60 Hz

DE

Artikelnummer	Heizstäbe
CP-RB-090	6 x SCA150 (1-028-518)
CP-RB-105	3 x SCA150 (1-028-518) / 3 x SCA200 (1-028-503)
CP-RB-120	6 x SCA150 (1-028-518) / 3 x CPRM115 (1-043-621)
CP-RB-150	6 x SCA150 (1-028-518) / 3 x SCA200 (1-028-503)

Abb.6 Abmessungen Concept R 9 kW und 10,5 kW
(CP-RB-090 / CP-RB-105)
Maße in mm

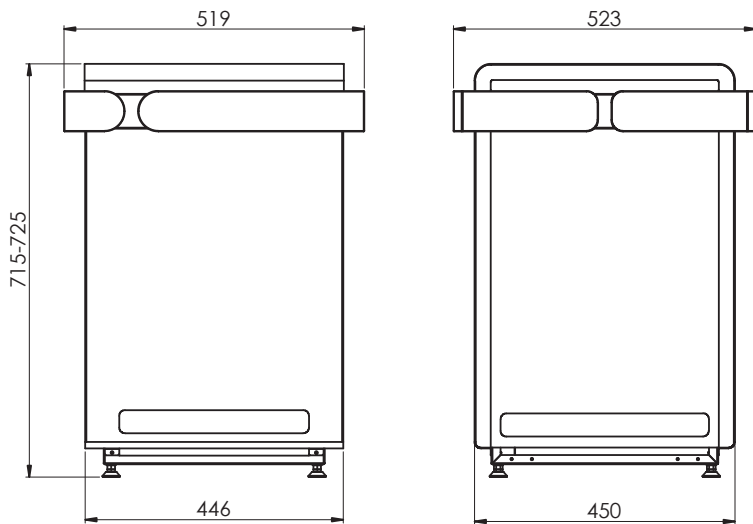
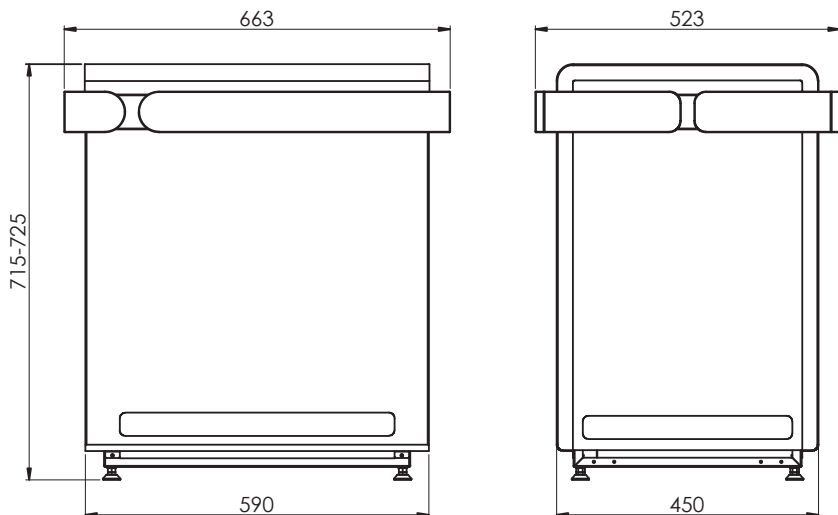


Abb.7 Abmessungen Concept R 12 kW und 15 kW
(CP-RB-120 / CP-RB-150)
Maße in mm



Poêle de sauna

Concept R black

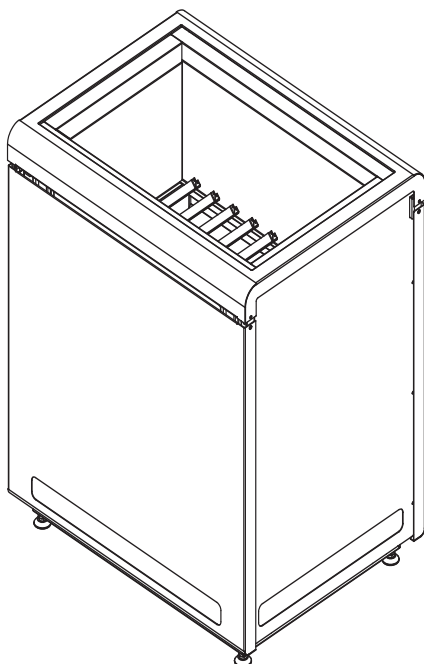
CP-RB-090 / 1-027-768 : Concept R 9,0 kW black

CP-RB-105 / 1-027-769 : Concept R 10,5 kW black

CP-RB-120 / 1-027-770 : Concept R 12,0 kW black

CP-RB-150 / 1-027-771 : Concept R 15,0 kW black

INSTRUCTIONS DE MONTAGE ET MODE D'EMPLOI Français



FR

Table des matières

1. Concernant ces instructions	4
2. Remarques importantes pour votre sécurité	5
2.1. Usage conforme	5
2.2. Consignes de sécurité pour le monteur	5
2.3. Consignes de sécurité pour l'utilisateur	7
3. Description du produit	8
3.1. Contenu de la livraison	8
3.2. Accessoires	8
3.3. Fonctions du produit	8
4. Montage et raccordement	9
4.1. Lieu d'installation et position de la sonde	9
4.2. Distances de sécurité	10
4.3. Réglage de la hauteur	11
4.4. Schéma de raccordement 400V 3N~	12
4.5. Schéma de raccordement 230V 1N~	14
4.6. Schémas de câblage	15
4.7. Branchements électriques	17
5. Mise en service	19
5.1. Remplissage du réservoir de pierres	19
5.2. Premier chauffage	20
6. Utilisation	21
6.1. Commande du poêle de sauna	21
6.2. Arrosage	21

7. Entretien	22
7.1. Périodes d'arrêt prolongées.....	22
7.2. Nettoyage du poêle de sauna.....	22
7.3. Remplacement des pierres à sauna.....	22
8. Élimination	23
9. Dépannage par le monteur	24
10. Caractéristiques techniques	25

1. Concernant ces instructions

Lisez attentivement ces instructions de montage et ce mode d'emploi et conservez-les à proximité du sauna. Ainsi, vous pourrez consulter à tout moment des informations concernant son utilisation et relatives à votre sécurité.



Ces instructions de montage et ce mode d'emploi sont également disponibles dans la rubrique de téléchargement de notre site Internet www.sentiotec.com/downloads.

Symboles d'avertissement

Dans les instructions de montage et le mode d'emploi, un avertissement précède les activités représentant un danger. Conformez-vous impérativement à ces avertissements. Vous éviterez ainsi des dommages matériels et des blessures qui, dans le pire des cas, peuvent être mortelles.

Ces avertissements utilisent des termes clés qui ont la signification suivante :



DANGER !

Le non-respect de cet avertissement entraîne un risque de blessures graves, voire mortelles.



AVERTISSEMENT !

Le non-respect de cet avertissement entraîne un risque éventuel de blessures graves, voire mortelles.



PRUDENCE !

Le non-respect de cet avertissement entraîne un risque éventuel de blessures légères.

ATTENTION !

Ce terme clé vous avertit de dommages matériels éventuels.

Autres symboles



Ce symbole désigne les conseils et indications utiles.



Ne pas couvrir !



Lire le mode d'emploi

2. Remarques importantes pour votre sécurité

Le poêle de sauna Concept R est construit selon des règles techniques de sécurité reconnues. Cependant, des dangers peuvent survenir lors de l'utilisation. C'est pourquoi vous devez suivre les consignes de sécurité suivantes et les avertissements spécifiques des différents chapitres.

2.1. Usage conforme

Le poêle Concept R a pour unique fonction de chauffer les cabines de sauna et ce, avec une commande sans fonction de démarrage à distance.

Le poêle de sauna Concept R peut être utilisé également avec une commande pour sauna disposant d'une fonction de démarrage à distance, uniquement en combinaison avec l'extinction de sécurité disponible en option (CP-R-SWL).

Le poêle de sauna Concept R peut être utilisé également dans des saunas publics, uniquement en combinaison avec l'extinction de sécurité disponible en option (CP-R-SWL).

Toute autre utilisation est considérée comme un usage non conforme. Un usage non conforme peut endommager le produit et provoquer de graves blessures, voire la mort.

2.2. Consignes de sécurité pour le monteur

- Les travaux de montage et de raccordement du poêle de sauna doivent être effectués uniquement lorsque l'appareil est hors tension.
- Seul un électricien spécialisé ou une personne ayant une qualification similaire est habilité à procéder au montage.

- Un dispositif de coupure totale du circuit sur tous les pôles selon la catégorie de surtension III doit être prévu par le client.
- Pour le raccordement du poêle de sauna, utilisez exclusivement des lignes en silicone résistant à des températures allant jusqu'à 150 °C.
- Installez un seul poêle de sauna par cabine. Le poêle de sauna Concept R ne doit pas être utilisé avec d'autres poêles pour sauna dans une même cabine de sauna.
- Les plafonds et parois de la cabine de sauna doivent être fabriqués en bois peu résineux, non traités ou traités thermiquement, par ex. pin nordique, tsuga, pin ou sapin, ou en matériaux composés de couches de bois. En cas d'utilisation de matériaux composés de couches de bois, veillez à ce que leurs colles n'émettent pas de formaldéhyde. Si d'autres matériaux que le bois sont utilisés dans la cabine de sauna, ils doivent résister à la chaleur et à la corrosion et ne doivent avoir aucun effet négatif sur la santé des utilisateurs du sauna.
- La cabine de sauna doit mesurer au moins 2,0 m de hauteur.
- Respectez les indications concernant le volume et la ventilation de la cabine de sauna du chapitre **10. Caractéristiques techniques**.
- Lors de l'installation du poêle en arrière de cloison, respectez les distances minimales de sécurité (voir chapitre **4.2. Distances de sécurité**).
- Respectez également les dispositions légales du lieu d'installation.
- En cas de problèmes insuffisamment traités dans les instructions de montage, adressez-vous à votre fournisseur pour votre propre sécurité.

2.3. Consignes de sécurité pour l'utilisateur

- L'appareil ne doit pas être utilisé par des enfants de moins de 8 ans.
- L'appareil peut être utilisé par des enfants de plus de 8 ans, par des personnes ayant des capacités psychiques, sensorielles ou mentales limitées et par des personnes manquant d'expérience et de connaissances dans les conditions suivantes :
 - lorsqu'ils sont surveillés.
 - lorsque l'utilisation en toute sécurité leur a été expliquée et qu'ils comprennent les dangers qui peuvent survenir.
- Les enfants ne doivent pas jouer avec l'appareil.
- Les enfants de moins de 14 ans peuvent nettoyer l'appareil uniquement s'ils sont surveillés.
- Pour des raisons de santé, n'utilisez pas le sauna lorsque vous êtes sous l'influence d'alcool, de médicaments ou de drogues.
- Ne faites jamais fonctionner le poêle de sauna sans pierres à sauna, cela pourrait provoquer des incendies.
- Assurez-vous qu'aucun objet inflammable ne se trouve sur le poêle de sauna avant de mettre en marche la commande.
- AVANT de commencer à utiliser le sauna, faites chauffer le poêle de sauna pendant une demi-heure. Pendant ce temps, NE restez PAS dans la cabine de sauna. Ensuite, aérez bien la cabine de sauna (voir **5.2. Premier chauffage** à la page **20**).
- Ne touchez jamais le poêle de sauna pendant son fonctionnement. Les surfaces du poêle de sauna et les pierres à sauna sont très chaudes.
- Pour votre sécurité, adressez-vous à votre fournisseur si le mode d'emploi ne traite pas exhaustivement de certains problèmes.

3. Description du produit

3.1. Contenu de la livraison

- Poêle de sauna
- Instructions de montage et mode d'emploi

3.2. Accessoires

<i>Accessoires</i>	<i>Numéro de produit</i>
Arrêt de sécurité	CP-R-SWL
Kit de fixation pour rambarde du poêle	CP-R-HSR
TILLEUL Rambarde en bois, petite (9 - 10,5 kW)	CP-R-L1
TILLEUL Rambarde en bois, grande (12 - 15 kW)	CP-R-L2
NOYER Rambarde en bois, petite (9 - 10,5 kW)	CP-R-N1
NOYER Rambarde en bois, grande (12 - 15 kW)	CP-R-N2
Emotion Set Rambarde TILLEUL, petite (9 - 10,5 kW)	CPR-EMO-L1
Emotion Set Rambarde TILLEUL, grande (12 - 15 kW)	CPR-EMO-L2
Emotion Set Rambarde NOYER, petite (9 - 10,5 kW)	CPR-EMO-N1
Emotion Set Rambarde NOYER, grande (12 - 15 kW)	CPR-EMO-N2
Module d'extension de puissance	O-S2-18 / O-S2-18S / O-S2-30

3.3. Fonctions du produit

Le poêle de sauna Concept R est un poêle de sauna finlandais et permet de créer le climat typique du sauna finlandais, à savoir une température de 80 à 100 °C, avec une humidité de l'air d'environ 10 %.

4. Montage et raccordement

Tenez compte des points suivants lors de l'installation et du raccordement du poêle de sauna :



AVERTISSEMENT !

Risque d'électrocution

- Effectuez les travaux de montage et de raccordement du poêle de sauna uniquement lorsque celui-ci est hors tension.

- Seul un électricien spécialisé ou une personne ayant une qualification similaire est habilité à procéder au raccordement électrique.
- Un dispositif de coupure totale du circuit sur tous les pôles selon la catégorie de surtension III doit être prévu par le client.
- Le poêle de sauna Concept R est un poêle à poser. Une fixation au plancher ou aux parois du sauna n'est pas nécessaire.
- Ne placez pas le poêle de sauna sur un plancher en matériau facilement inflammable comme le bois ou le plastique. Les revêtements de sol adaptés sont par ex. du carrelage en céramique.

4.1. Lieu d'installation et position de la sonde

Installez le poêle au milieu, devant l'ouverture d'entrée d'air de la paroi de la cabine. Ce faisant, respectez les distances de sécurité par rapport à la paroi de la cabine indiquées à la **Fig. 1** et à la **Fig. 2**.

Montez la sonde de température avec dispositif de protection contre la surtempérature au niveau de la paroi de la cabine, au-dessus du centre du poêle de sauna. Respectez une distance de 15 cm par rapport au plafond de la cabine.



Si une ventilation suffisante est garantie, le poêle de sauna Concept R peut également être installé en position dégagée. Dans ce cas, montez la sonde de température au niveau du plafond de la cabine, au-dessus du centre du poêle.

4.2. Distances de sécurité

Respectez les distances de sécurité minimales indiquées dans **Fig. 1** et **Fig. 2**.

Fig. 1 Distances de sécurité Concept R 9 kW et 10,5 kW
(CP-RB-090 / CP-RB-105)
Mesures en mm

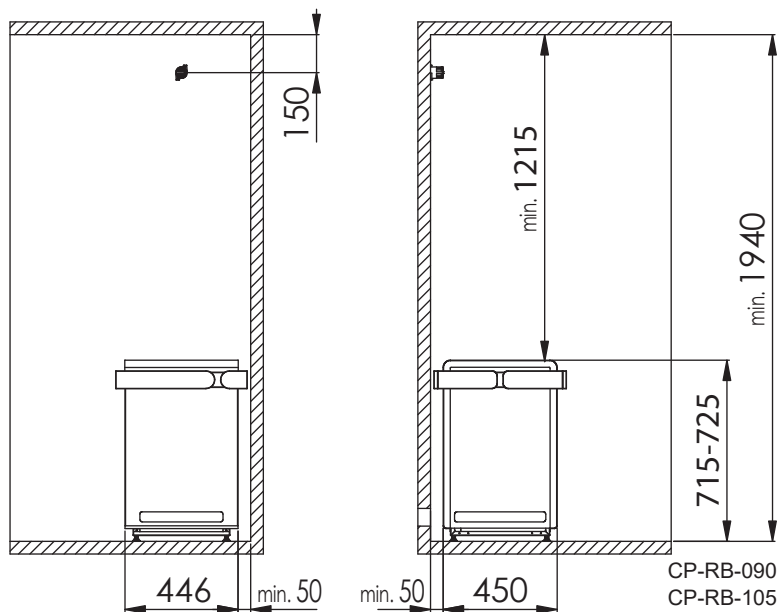
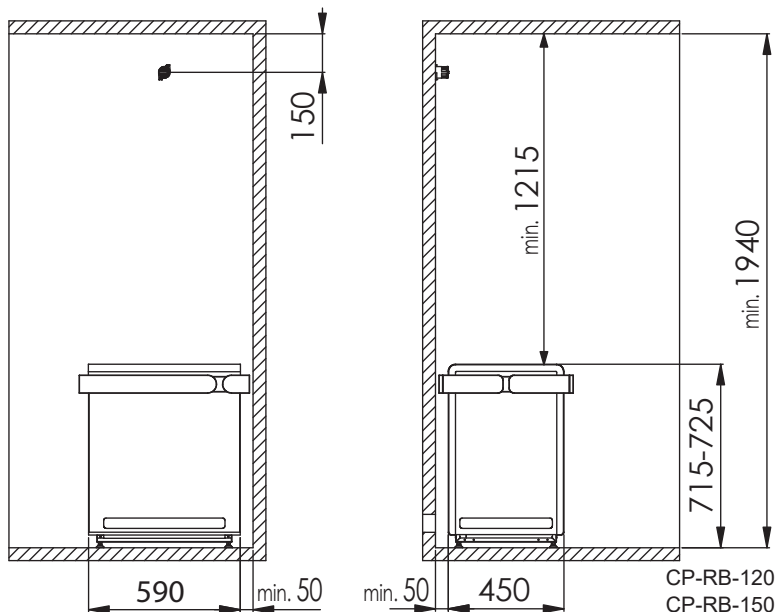


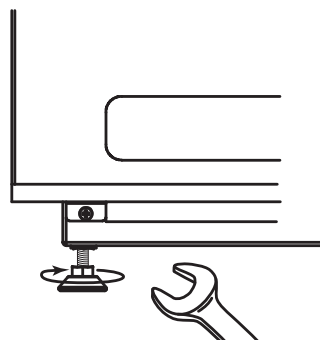
Fig. 2 Distances de sécurité Concept R 12 kW et 15 kW
(CP-RB-120 / CP-RB-150)
Mesures en mm



4.3. Réglage de la hauteur

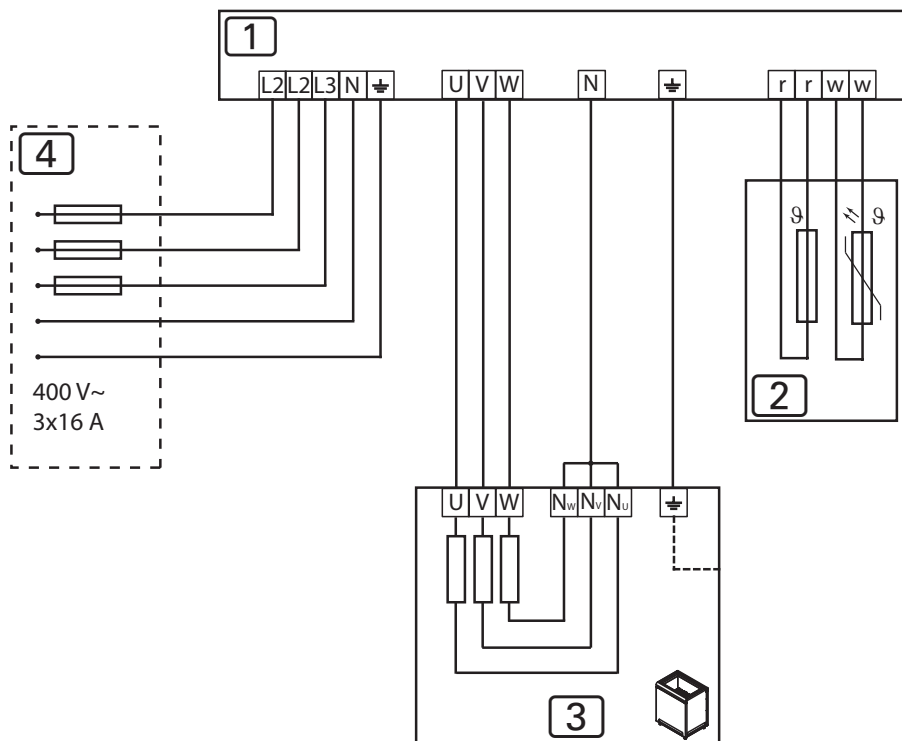
Le poêle de sauna Concept R dispose de pieds réglables en hauteur. Cela permet de régler la hauteur du poêle de sauna de 715 mm à 725 mm. Comme la hauteur de chaque pied peut être réglée individuellement, une adaptation à des sols non plans est possible.

1. Desserrez le pied du poêle de sauna avec une clé à fourche (13 mm).
2. Soulevez légèrement le poêle de sauna et tournez le pied vers la droite pour diminuer sa hauteur. Tournez vers la gauche pour augmenter la hauteur.
3. Resserrez le pied avec la clé à fourche.



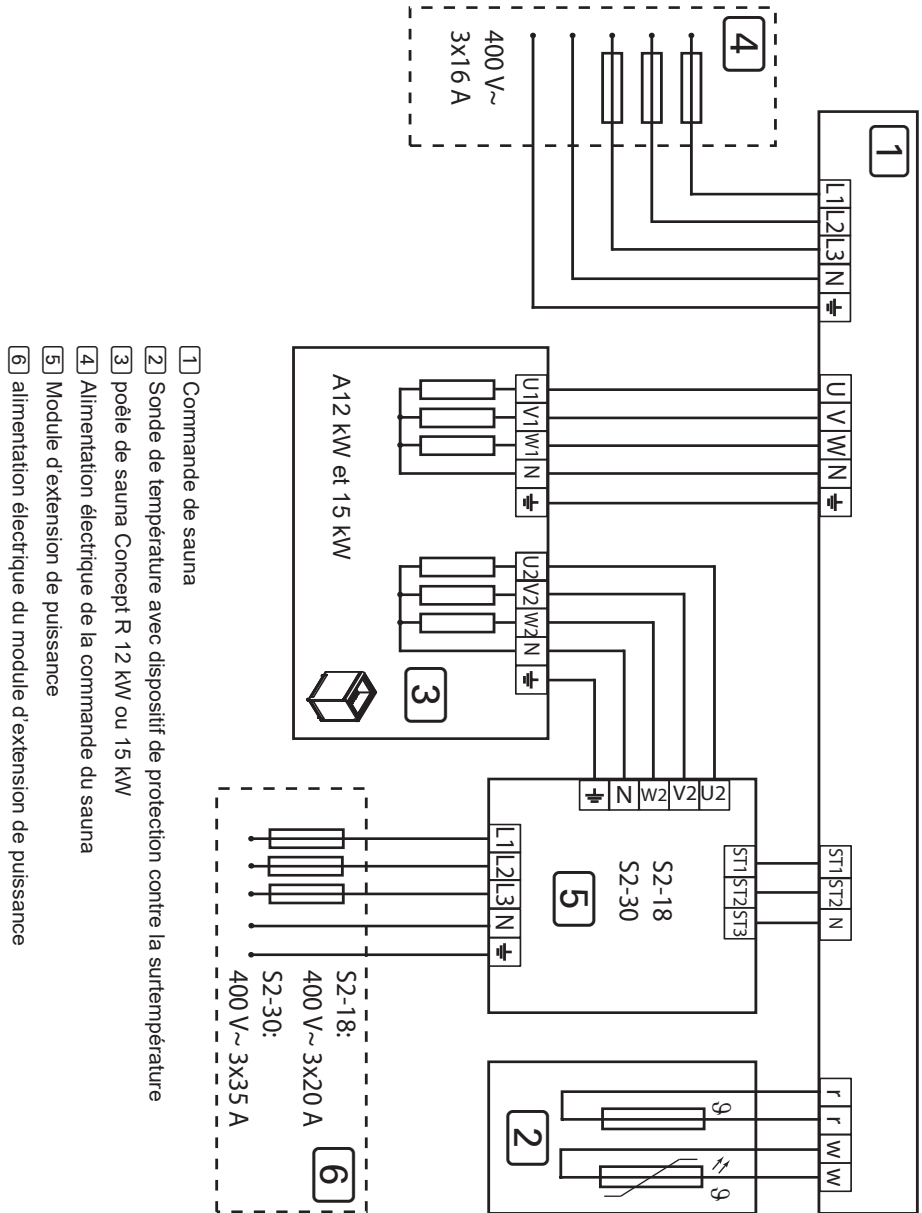
4.4. Schéma de raccordement 400V 3N~

Fig. 3 Schéma de raccordement du Concept R 9 kW et 10,5 kW
(CP-RB-090 / CP-RB-105)



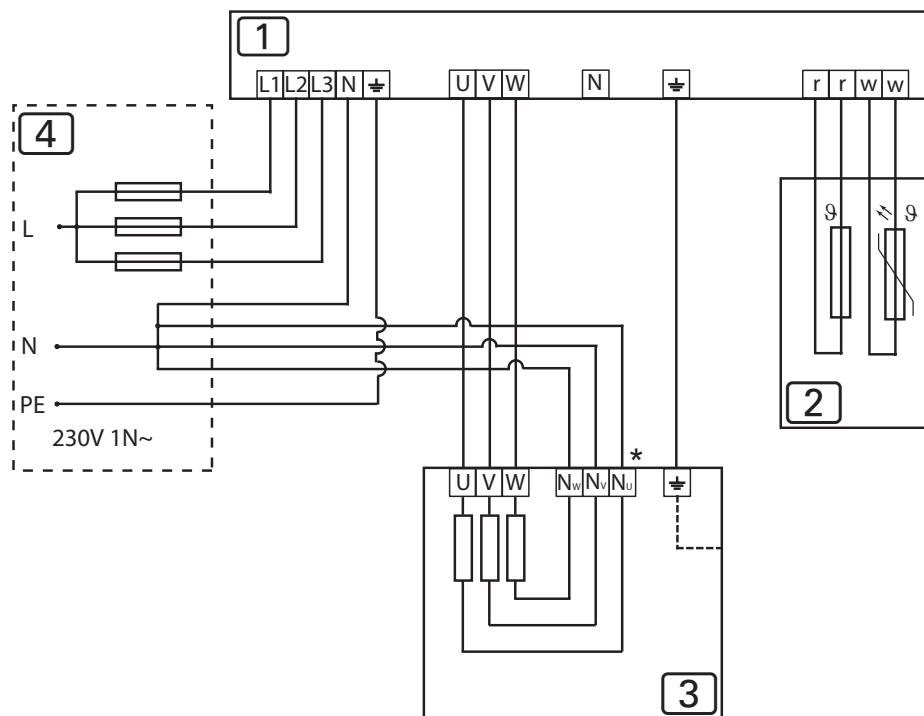
- 1 Commande de sauna
- 2 Sonde de température avec dispositif de protection contre la surtempérature
- 3 Poêle de sauna 9 kW ou 10,5 kW
- 4 Alimentation électrique

Fig. 4 Schéma de raccordement du Concept R 12 kW et 15 kW (CP-RB-120 / CP-RB-150)



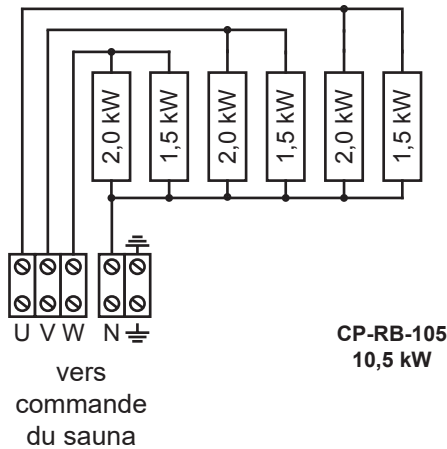
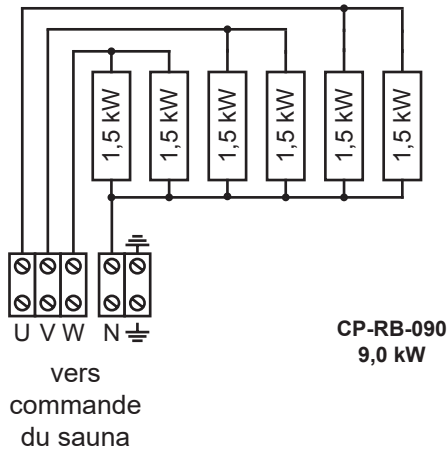
4.5. Schéma de raccordement 230V 1N~

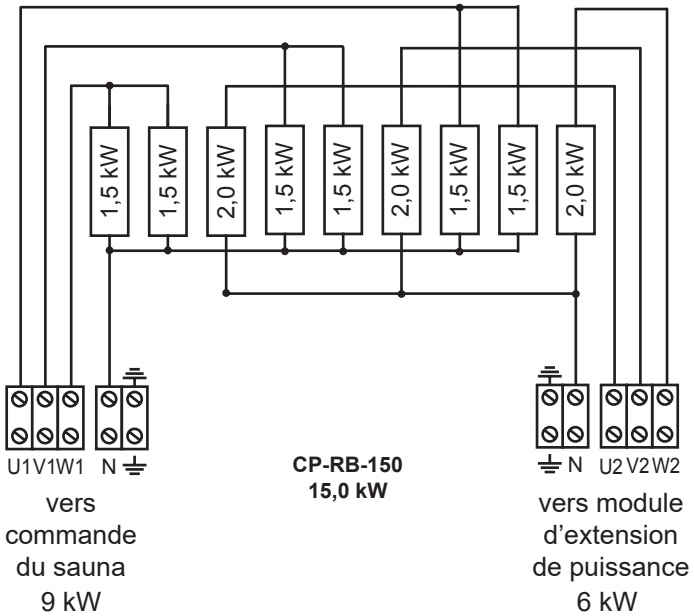
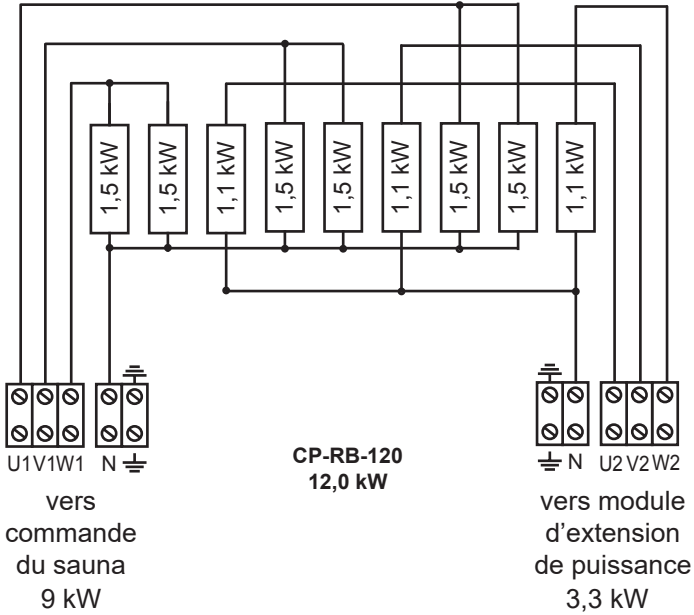
Fig. 5 Schéma de raccordement du Concept R 9 kW et 10,5 kW
(CP-RB-090 / CP-RB-105)



- 1 Commande de sauna
- 2 Sonde de température avec dispositif de protection contre la surtempérature
- 3 Poêle de sauna 9 kW ou 10,5 kW
- 4 Alimentation électrique
- * Retirer le cavalier de cuivre

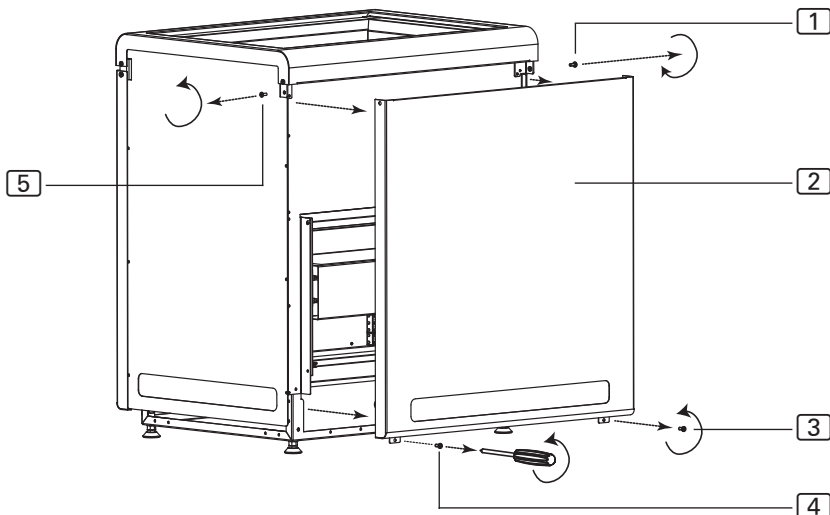
4.6. Schémas de câblage





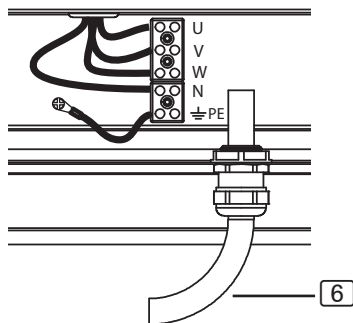
4.7. Branchements électriques

1. Desserrez les vis [3] et [4] à l'aide d'un tournevis.
2. Desserrez les vis [1] et [5] à l'aide d'un tournevis.
3. Retirez le cache en tôle [2].



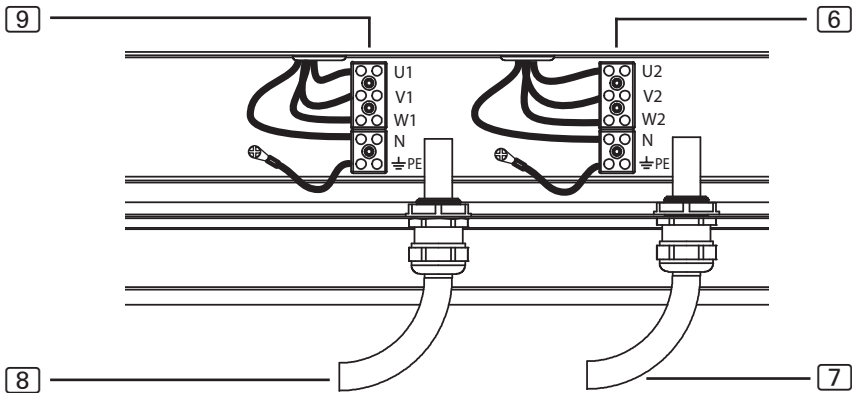
Raccordement Concept R 9 kW et 10,5 kW (CP-RB-090 / CP-RB-105)

1. Faites passer le câble de raccordement par le passage [6].
2. Raccordez les fils du câble de raccordement aux bornes U – V – W – N – PE du poêle de sauna et au niveau des bornes correspondantes de la commande du sauna. Ce faisant, respectez les instructions de montage de la commande du sauna.
3. Refixez le cache en tôle [2] sur le poêle de sauna.



Raccordement Concept R 12 kW et 15 kW (CP-RB-120 / CP-RB-150)

1. Faites passer le câble de raccordement pour la commande de sauna par le passage [8].
2. Raccordez les fils de ce câble de raccordement aux bornes U1 – V1 – W1 – N – PE de la barre de raccordement [9] et au niveau des bornes correspondantes de la commande du sauna. Ce faisant, respectez les instructions de montage de la commande du sauna.
3. Faites passer le câble du module d'extension de puissance par le passage [7].
4. Raccordez les fils du câble du module d'extension de puissance aux bornes U2 – V2 – W2 – N – PE de la barre de raccordement [6] et au niveau des bornes correspondantes du module d'extension de puissance. Ce faisant, conformez-vous à la notice de montage du module d'extension de puissance.
5. Refixez le cache en tôle [2] sur le poêle de sauna.



- [6] barre de raccordement pour le module d'extension de puissance
- [7] passage pour le câble du module d'extension de puissance
- [8] barre de raccordement pour la commande de sauna
- [9] passage pour le câble de raccordement de la commande du sauna

5. Mise en service

5.1. Remplissage du réservoir de pierres

**AVERTISSEMENT !*****Risque d'incendie dû à la surchauffe***

Si le poêle de sauna est utilisé sans pierres à sauna, les parois de la cabine de réchauffent fortement. Cela peut provoquer des incendies.

- NE mettez JAMAIS le poêle de sauna en marche sans pierres à sauna.

Vous trouverez la quantité de pierres correspondant à la puissance de votre poêle au chapitre **10. Caractéristiques techniques** (voir page **25**).

1. Avant utilisation, nettoyez soigneusement les pierres à sauna à l'eau, à l'aide d'une brosse. N'utilisez pas de produits de nettoyage.
2. Avant de les placer dans le poêle de sauna, vérifiez que les pierres sont exemptes de corps étrangers et retirez les restes d'emballage.
3. Placez les pierres à sauna dans le réservoir de pierres. Disposez les pierres à sauna sans les serrer, afin que l'air puisse passer entre les interstices.
4. Veillez à ce que les pierres à sauna ne dépassent pas du bord du réservoir de pierres.

5.2. Premier chauffage



PRUDENCE !

Formation de fumée et de mauvaises odeurs lors du premier chauffage

Sur les thermoplongeurs neufs se trouvent des matières consommables issues du processus de fabrication. Celles-ci se décomposent lors du premier chauffage du poêle de sauna. Cela provoque de la fumée et des odeurs désagréables. Le fait de respirer ces vapeurs ou la fumée nuit à votre santé.

Procédez aux opérations suivantes lorsque vous mettez votre poêle de sauna **en service pour la première fois** et lorsque les **thermoplongeurs de votre poêle de sauna ont été remplacés**. Vous évitez ainsi des dommages pour votre santé provoqués par les vapeurs et la fumée se formant lors du premier chauffage.

1. Sur la commande du sauna, sélectionnez la température la plus élevée possible.
2. Faites chauffer le poêle de sauna pendant une demi-heure.
Pendant ce temps, NE restez PAS dans la cabine de sauna.
3. Après le premier chauffage, aérez bien la cabine de sauna.
4. Si plus aucune fumée ni aucune odeur ne se forment lors du prochain chauffage, vous pouvez commencer à utiliser votre sauna.
Si de la fumée ou des odeurs apparaissent à nouveau, quittez immédiatement la cabine de sauna et répétez la procédure de premier chauffage, suivie d'une aération.

6. Utilisation



AVERTISSEMENT !

Risque d'incendie

Des objets inflammables se trouvant sur le poêle de sauna brûlant peuvent s'enflammer et provoquer des incendies.

- NE placez JAMAIS de matériaux inflammables sur le poêle de sauna.
- Assurez-vous qu'AUCUN objet inflammable ne se trouve sur le poêle de sauna avant de mettre le sauna en marche.

6.1. Commande du poêle de sauna

L'utilisation du poêle de sauna s'effectue par l'intermédiaire d'une commande de sauna. Pour obtenir des informations concernant l'utilisation de la commande pour sauna, lisez le mode d'emploi de l'appareil correspondant. Notez que le poêle de sauna Concept R ne convient qu'aux commandes sans fonction de démarrage à distance.



Avec le dispositif d'arrêt de sécurité disponible en option (CP-R-SWL), le poêle de sauna Concept R convient également aux commandes pour sauna AVEC fonction de démarrage à distance.

6.2. Arrosage

À la fin de l'utilisation du sauna, vous pouvez effectuer un arrosage. Pour ce faire, versez de l'eau sur les pierres à sauna à l'aide d'une louche pour sauna. Cela fait évaporer l'eau et augmente l'humidité de l'air dans la cabine.

Lors de l'arrosage, respectez les points suivants :

- Utilisez uniquement de l'eau du robinet pour l'arrosage. De l'eau de mer, une eau très calcaire et de l'eau chlorée peuvent endommager le poêle de sauna.
- Utilisez uniquement des parfums et des huiles essentielles explicitement adaptés à l'arrosage dans des saunas. Suivez les consignes données par le fabricant sur l'emballage des essences.
- Ne versez pas l'eau trop vite sur les pierres à sauna. Cela permet que l'eau d'arrosage s'évapore totalement.

7. Entretien

7.1. Périodes d'arrêt prolongées

Si l'environnement est particulièrement humide, ou lors de longues périodes d'arrêt, de l'humidité s'accumule dans les thermoplongeurs. Il s'agit d'un phénomène physique et non d'un défaut de fabrication. L'humidité des thermoplongeurs peut provoquer le déclenchement du disjoncteur. Dans ce cas, contactez un électricien qualifié pour le dépannage (voir chapitre 9. **Dépannage par le monteur**).



Faites chauffer le poêle de sauna toutes les 5 à 6 semaines pendant env. 15 minutes. Vous évitez ainsi que de l'eau ne s'accumule dans les thermoplongeurs lors de longues périodes d'arrêt.

7.2. Nettoyage du poêle de sauna

Veillez à ce que les ouvertures de ventilation soient exemptes de peluches et de poussières. Vous évitez ainsi que la circulation de l'air dans le poêle de sauna soit limitée et que l'appareil chauffe excessivement.

7.3. Remplacement des pierres à sauna

Les pierres à sauna sont très sollicitées par les produits d'arrosage et les importantes différences de température survenant lors de l'utilisation. Les pierres à sauna peuvent être attaquées et devenir cassantes.

Contrôlez les pierres à sauna à intervalles réguliers et remplacez les pierres au moins une fois par an.



AVERTISSEMENT !

Risque d'incendie dû à la surchauffe

Si le poêle de sauna est utilisé sans pierres à sauna, les parois de la cabine de réchauffent fortement. Cela peut provoquer des incendies.

- NE mettez JAMAIS le poêle de sauna en marche sans pierres à sauna.

1. Retirez les anciennes pierres à sauna.
2. Nettoyez le réservoir de pierres pour retirer les dépôts de calcaire, la poussière et autres impuretés.
3. Avant utilisation, nettoyez soigneusement les pierres à sauna à l'eau, à l'aide d'une brosse. N'utilisez pas de produits de nettoyage.
4. Avant de les placer dans le poêle de sauna, vérifiez que les pierres sont exemptes de corps étrangers et retirez les restes d'emballage.
5. Placez les pierres à sauna dans le réservoir de pierres. Disposez les pierres à sauna sans les serrer, afin que l'air puisse passer entre les interstices.
6. Veillez à ce que les pierres à sauna ne dépassent pas du bord du réservoir de pierres.

8. Élimination



- Éliminez les matériaux d'emballage conformément aux directives en vigueur relatives à l'élimination.
- Les appareils usagés contiennent des matériaux recyclables, mais aussi des substances toxiques. Par conséquent, ne jetez en aucun cas votre appareil usagé avec les déchets ménagers. Éliminez-le conformément aux directives locales en vigueur.

9. Dépannage par le monteur

Chauffage des thermoplongeurs

Si l'environnement est particulièrement humide, ou lors de longues périodes d'arrêt, de l'humidité peut s'accumuler dans les thermoplongeurs. Il s'agit d'un phénomène physique et non d'un défaut de fabrication. L'humidité des thermoplongeurs peut éventuellement provoquer le déclenchement du disjoncteur.

Dans ce cas, il est nécessaire de faire chauffer le poêle de sauna sous la surveillance d'un électricien qualifié. Pendant cette procédure, la fonction de protection du disjoncteur doit être hors service. La procédure de chauffage dure env. 10 minutes. La fonction de protection du disjoncteur doit ensuite être rétablie.

Si le problème persiste, adressez-vous à votre fournisseur.

10. Caractéristiques techniques

Vous trouverez les dimensions des différentes variantes de puissance à la **Fig. 6** et à la **Fig. 7**, à la page **26**.

Référence	Puis- sance [kW]	Volume de la ca- bine [m ³]	Taille minimale de l'ouverture de venti- lation [mm]	Poids sans pierres [kg]
CP-RB-090	9,0	9 - 14	350 x 50	34
CP-RB-105	10,5	10 - 15	350 x 60	34
CP-RB-120	12,0	14 - 18	350 x 70	40
CP-RB-150	15,0	18 - 25	350 x 90	40

Référence	Quantité de pierres [kg]	Fusible [A]	Alimentation
CP-RB-090	Env. 25	3 x 16	400 V CA 3N~ 50/60 Hz 230 V CA 1N~ 50/60 Hz
CP-RB-105	Env. 25	3 x 16	400 V CA 3N~ 50/60 Hz 230 V CA 1N~ 50/60 Hz
CP-RB-120	Env. 35	3 x 16 / 3 x 10	400 V CA 3N~ 50/60 Hz
CP-RB-150	Env. 35	3 x 16 / 3 x 10	400 V CA 3N~ 50/60 Hz

Référence	Thermoplongeurs
CP-RB-090	6 x SCA150 (1-028-518)
CP-RB-105	3 x SCA150 (1-028-518) / 3 x SCA200 (1-028-503)
CP-RB-120	6 x SCA150 (1-028-518) / 3 x CPRM115 (1-043-621)
CP-RB-150	6 x SCA150 (1-028-518) / 3 x SCA200 (1-028-503)

Fig. 6 Dimensions Concept R 9 kW et 10,5 kW
(CP-RB-090 / CP-RB-105)
Mesures en mm

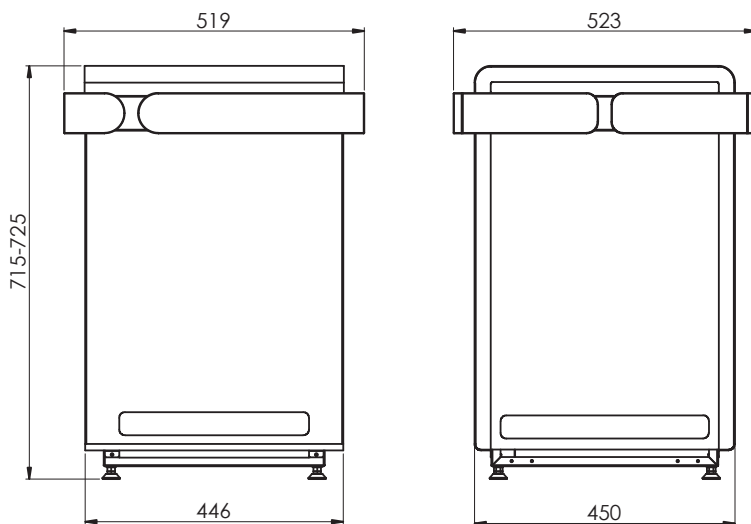
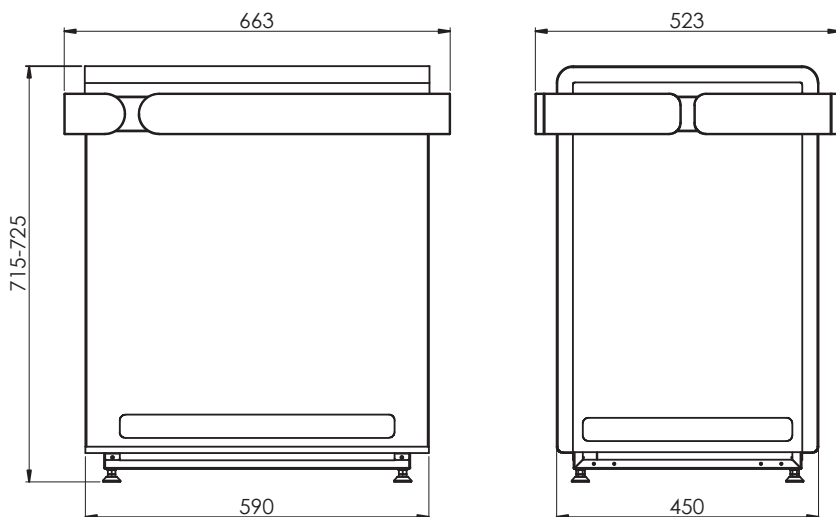


Fig. 7 Dimensions Concept R 12 kW et 15 kW
(CP-RB-120 / CP-RB-150)
Mesures en mm



Stufa per sauna

Concept R black

CP-RB-090 / 1-027-768: Concept R 9,0 kW black

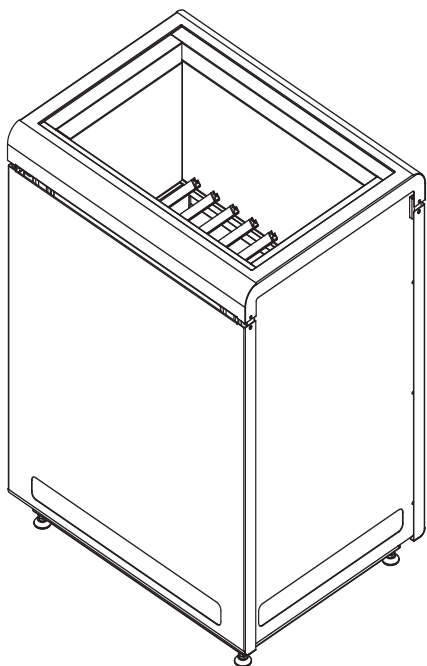
CP-RB-105 / 1-027-769: Concept R 10,5 kW black

CP-RB-120 / 1-027-770: Concept R 12,0 kW black

CP-RB-150 / 1-027-771: Concept R 15,0 kW black

ISTRUZIONI DI MONTAGGIO E D'USO

Italiano



IT

Indice

1. Informazioni sul presente manuale	4
2. Importanti indicazioni per la sicurezza personale	5
2.1. Conformità d'uso	5
2.2. Indicazioni di sicurezza per l'installatore	6
2.3. Indicazioni di sicurezza per l'utilizzatore	7
3. Descrizione del prodotto	8
3.1. Dotazione	8
3.2. Accessori	8
3.3. Funzioni del prodotto	8
4. Montaggio e collegamento	9
4.1. Luogo di installazione e posizione della sonda	9
4.2. Distanze di sicurezza	10
4.3. Regolazione dell'altezza	11
4.4. Schema di collegamento 400V 3N~	12
4.5. Schema di collegamento 230V 1N~	14
4.6. Schemi di cablaggio	15
4.7. Collegamento elettrico	17
5. Messa in funzione	19
5.1. Riempimento del contenitore delle pietre	19
5.2. Primo riscaldamento	20
6. Impiego	21
6.1. Utilizzo della stufa per sauna	21
6.2. Gettata di vapore	21

7. Manutenzione	22
7.1. Pause di funzionamento prolungate.....	22
7.2. Pulizia della stufa per sauna.....	22
7.3. Sostituzione delle pietre.....	22
8. Smaltimento	23
9. Risoluzione del problema con l'intervento di un installatore	24
10. Specifiche tecniche	25

1. Informazioni sul presente manuale

Leggere attentamente le presenti istruzioni di montaggio e d'uso e conservarle vicino alla sauna. Così facendo è possibile in ogni momento controllare le informazioni sulla sicurezza personale e il comando.



Le presenti istruzioni di montaggio e d'uso si trovano anche nell'area di download della nostra pagina web all'indirizzo: www.sentiotec.com/downloads.

Simboli nelle avvertenze

Nelle presenti istruzioni di montaggio e d'uso, prima di ogni attività che genera un pericolo, è applicata un'avvertenza. Osservare sempre queste avvertenze. Così facendo, si evitano danni a beni materiali e lesioni che, nel peggiore dei casi, possono essere addirittura mortali.

Nelle avvertenze vengono utilizzati pittogrammi che hanno i seguenti significati:



PERICOLO!

L'inosservanza di questa avvertenza può causare lesioni gravi o addirittura mortali.



AVVERTENZA!

L'inosservanza di questa avvertenza può causare lesioni gravi o addirittura mortali.



ATTENZIONE!

L'inosservanza di questa avvertenza può causare lesioni lievi.

ATTENZIONE!

Questo pittogramma avverte della possibilità di danni a beni materiali.

Altri simboli



Questo simbolo indica consigli e indicazioni utili.



Non coprire!



Leggere il manuale di istruzioni

2. Importanti indicazioni per la sicurezza personale

La stufa per sauna Concept R è costruita secondo le regole riconosciute per la sicurezza. Tuttavia, durante l'utilizzo, possono presentarsi pericoli. Osservare pertanto le seguenti indicazioni di sicurezza e le avvertenze speciali riportate nei singoli capitoli.

2.1. Conformità d'uso

La stufa per sauna Concept R deve essere utilizzata unicamente per riscaldare le cabine della sauna in combinazione con un comando sauna senza funzione di avvio remoto.

Solo se in combinazione con il disinserimento di sicurezza (CP-R-SWL) disponibile come opzione, la stufa per sauna Concept R può essere azionata anche con un comando della sauna dotato di funzione di avvio remoto.

Solo in combinazione con il disinserimento di sicurezza (CP-R-SWL) disponibile come opzione è consentito azionare la stufa per saune Concept R anche in saune pubbliche.

Qualsiasi altro utilizzo è considerato improprio. Un utilizzo improprio può causare danni al prodotto e lesioni gravi o mortali.

2.2. Indicazioni di sicurezza per l'installatore

- I lavori di montaggio e di collegamento della stufa per sauna devono essere eseguiti solo in assenza di tensione.
- Il montaggio deve essere eseguito solo da elettricisti o da persone con una qualifica simile.
- Per l'installazione, predisporre sul posto un dispositivo di separazione su tutti i poli con disinnesto totale corrispondente alla categoria di sovratensione III.
- Per collegare la stufa per sauna, utilizzare solamente tubi in silicone termoresistenti fino a una temperatura di 150°C.
- Installare la stufa per sauna solo nella cabina. La stufa per sauna Concept R non deve essere utilizzata insieme ad altre stufe nella stessa cabina.
- Il soffitto e le pareti della cabina della sauna devono essere costruiti in legno non trattato o termotrattato a basso contenuto di resina, ad es. abete rosso nordico, legno di Lemlock, pino o abete o in materiali in strati di legno. Se si utilizzano materiali in strati di legno, assicurarsi che le colle ivi presenti non rilascino formaldeide. Se nella cabina vengono utilizzati altri materiali, questi devono essere resistenti al calore e alla corrosione e non devono avere effetti negativi sulla salute di chi fa la sauna.
- La cabina deve avere un'altezza di almeno 2,0 m.
- Osservare i valori prescritti per il volume e la ventilazione della cabina per sauna al capitolo **10. Specifiche tecniche**.
- Durante l'installazione della stufa per sauna osservare le distanze di sicurezza minime (vedi capitolo **4.2. Distanze di sicurezza**).
- Osservare anche le disposizioni locali valide sul posto di installazione.
- Qualora si presentassero problemi non trattati in modo esaustivo nelle presenti istruzioni di montaggio, per la vostra sicurezza, vi preghiamo di rivolgervi al vostro fornitore.

2.3. Indicazioni di sicurezza per l'utilizzatore

- Il dispositivo non deve essere utilizzato da bambini di età inferiore agli 8 anni.
- Questo dispositivo può essere utilizzato da bambini con più di 8 anni di età, da persone con capacità fisiche, sensoriali o mentali limitate e prive della sufficiente esperienza e del know-how necessari, alle seguenti condizioni:
 - se sono in presenza di persone responsabili per loro;
 - se è stato spiegato loro come utilizzare l'apparecchio in modo sicuro e sono chiari i pericoli che ne possono derivare.
- Ai bambini non è permesso giocare con il dispositivo.
- I bambini al di sotto dei 14 anni possono pulire il dispositivo solo in presenza di adulti.
- Se si è sotto l'effetto di alcol, medicinali o droghe, per motivi di salute, evitare di andare in sauna.
- Non mettere mai in funzione la stufa per sauna senza le pietre perché potrebbero verificarsi incendi.
- Prima di accendere il comando della sauna, assicurarsi che sulla stufa per sauna non si trovino oggetti infiammabili.
- PRIMA dell'utilizzo iniziale della sauna, riscaldare la stufa per mezz'ora. NON rimanere nella cabina della sauna durante questo arco di tempo. Quindi aerare bene la cabina (vedi **5.2. Primo riscaldamento** a pagina **20**).
- Non toccare mai la stufa per sauna durante il funzionamento. La superficie della stufa per sauna e le pietre si scaldano molto.
- Qualora si presentassero problemi non trattati in modo esaustivo nelle istruzioni per l'uso, per la vostra sicurezza, vi preghiamo di rivolgervi al vostro fornitore.

3. Descrizione del prodotto

3.1. Dotazione

- Stufa per sauna
- Istruzioni di montaggio e d'uso

3.2. Accessori

<i>Accessori</i>	<i>Numero articolo</i>
Dispositivo automatico di spegnimento di sicurezza	CP-R-SWL
Set di supporto per corrimano per stufa	CP-R-HSR
TIGLIO corrimano in legno piccolo (9–10,5 kW)	CP-R-L1
TIGLIO corrimano in legno grande (12–15 kW)	CP-R-L2
NOCE corrimano in legno piccolo (9–10,5 kW)	CP-R-N1
NOCE corrimano in legno grande (12–15 kW)	CP-R-N2
Emotion set corrimano TIGLIO piccolo (9–10,5 kW)	CPR-EMO-L1
Emotion set corrimano TIGLIO grande (12–15 kW)	CPR-EMO-L2
Emotion set corrimano NOCE piccolo (9–10,5 kW)	CPR-EMO-N1
Emotion set corrimano NOCE grande (12–15 kW)	CPR-EMO-N2
Ampliamento della potenza	O-S2-18 / O-S2-18S / O-S2-30

3.3. Funzioni del prodotto

La stufa per sauna Concept R è una stufa per sauna finlandese e consente la creazione di una clima tipico dagli 80 ai 100°C con un'umidità dell'aria all'incirca del 10%.

4. Montaggio e collegamento

Tenere presente i seguenti punti durante l'installazione e il collegamento della stufa per sauna:



AVVERTENZA!

Pericolo di scossa elettrica

- Eseguire i lavori di montaggio e collegamento alla stufa per sauna solo in assenza di tensione.

- Il collegamento elettrico deve essere eseguito solo da elettricisti specializzati o da persone con una qualifica simile.
- Per l'installazione, predisporre sul posto un dispositivo di separazione su tutti i poli con disinnesco totale corrispondente alla categoria di sovratensione III.
- La stufa per sauna Concept R è una stufa autoportante. Non è necessario fissarla al pavimento o alla parete della sauna.
- Non posizionare la stufa per sauna su un pavimento in materiale facilmente infiammabile come legno o plastica. Rivestimenti per pavimenti adatti sono ad es. piastrelle in ceramica.

4.1. Luogo di installazione e posizione della sonda

Posizionare la stufa centralmente davanti all'apertura dell'entrata dell'aria nella parete della cabina. Durante questa operazione mantenere le distanze di sicurezza indicate nelle **Fig. 1** e **Fig. 2** rispetto alla parete della cabina.

Montare la sonda termica con fusibile termico di protezione alla parete della cabina al di sopra del centro della stufa della sauna. Rispettare una distanza di 15 cm dal tetto della cabina.



Se è assicurata una aerazione sufficiente, la stufa per sauna Concept R può essere anche installata liberamente. In questo caso montare la sonda termica al soffitto della cabina sopra il centro della stufa.

4.2. Distanze di sicurezza

Osservare le distanze di sicurezza minime indicate nelle **Fig. 1** e **Fig. 2**.

Fig. 1 Distanze di sicurezza Concept R 9 kW e 10,5 kW
(CP-RB-090 / CP-RB-105)
Unità di misura in mm

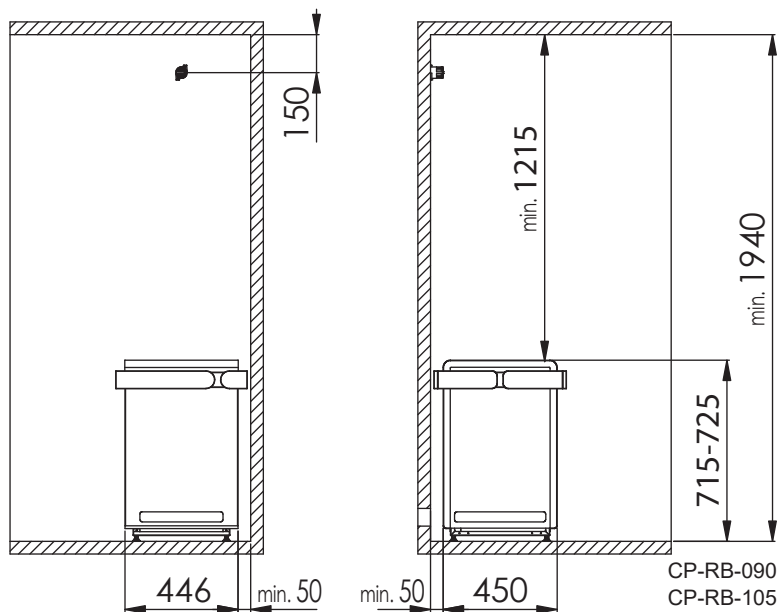
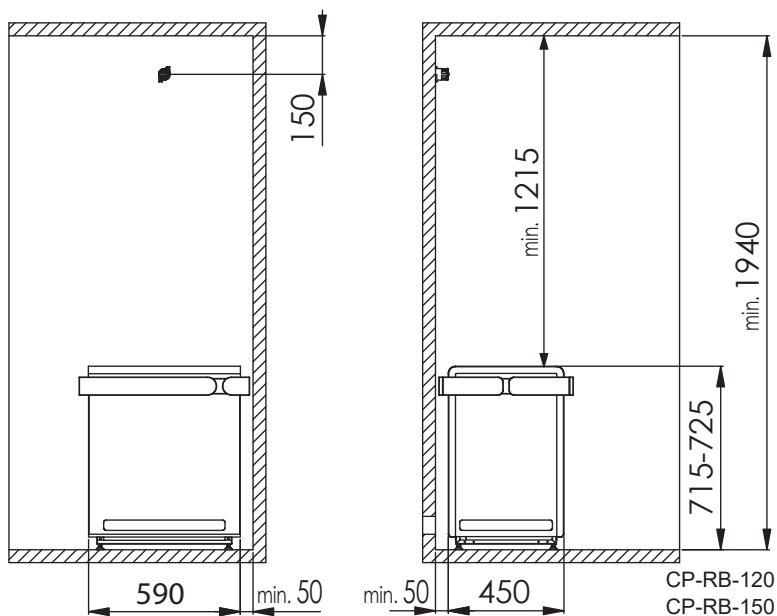


Fig. 2 Distanze di sicurezza Concept R 12 kW e 15 kW
(CP-RB-120 / CP-RB-150)
Unità di misura in mm

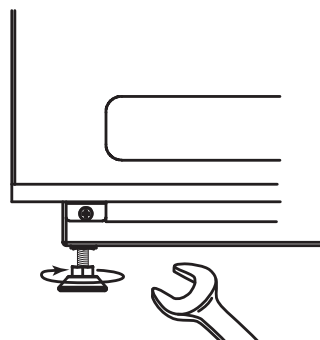


4.3. Regolazione dell'altezza

La stufa per sauna Concept R dispone di piedi di appoggio con altezza regolabile. Perciò la sua altezza può essere regolata da 715 mm a 725 mm. Poiché l'altezza di ogni piede d'appoggio può essere regolata in modo individuale è possibile un adattamento su pavimenti non piani.

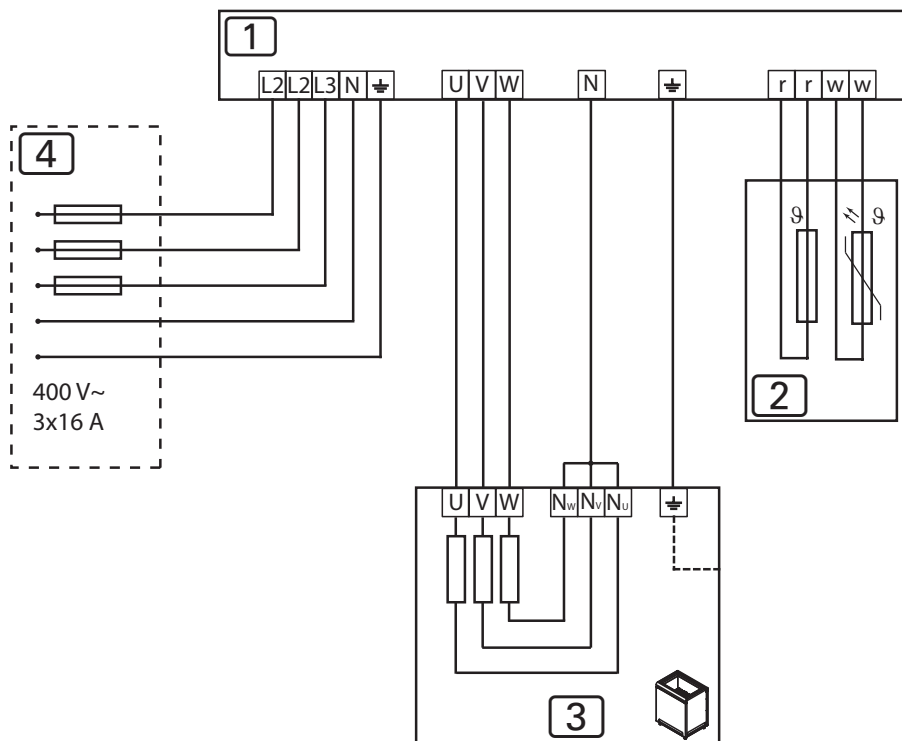
IT

1. Svitare il piede d'appoggio della stufa per sauna con una chiave fissa (13 mm).
2. Per ridurre l'altezza, sollevare leggermente la stufa della sauna e ruotare il piede verso destra. Per aumentare l'altezza ruotare verso sinistra.
3. Serrare di nuovo il piede d'appoggio con la chiave fissa.



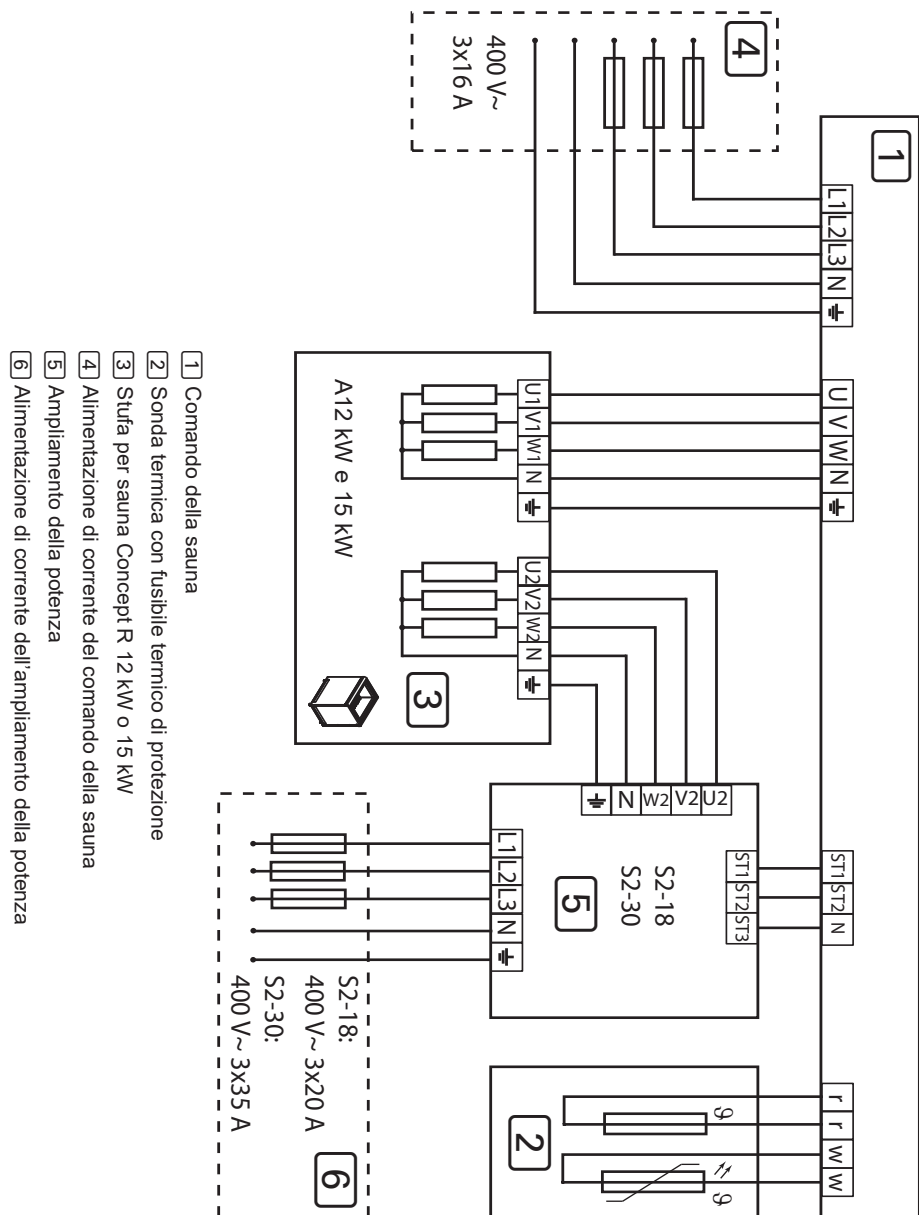
4.4. Schema di collegamento 400V 3N~

Fig. 3 Schema di collegamento Concept R 9 kW e 10,5 kW
(CP-RB-090 / CP-RB-105)



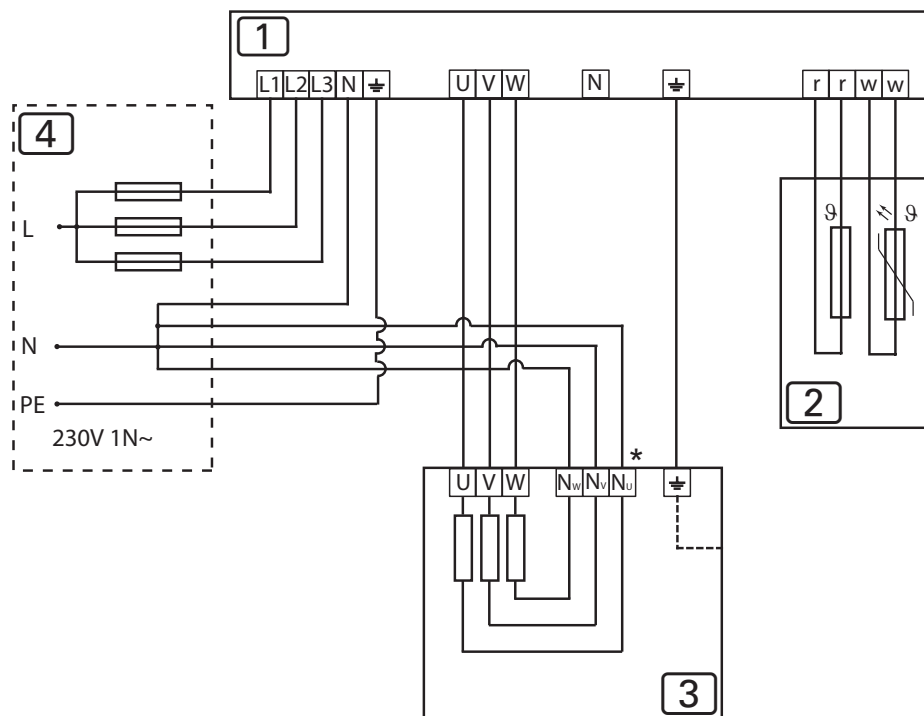
- 1 Comando della sauna
- 2 Sonda termica con fusibile termico di protezione
- 3 Stufa per sauna 9 kW o 10,5 kW
- 4 Alimentazione di corrente

Fig. 4 Schema di collegamento Concept R 12 kW e 15 kW
(CP-RB-120 / CP-RB-150)



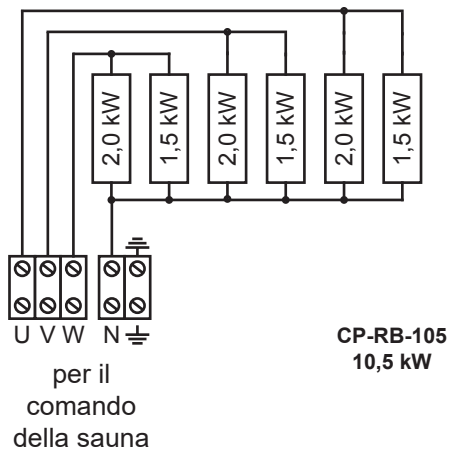
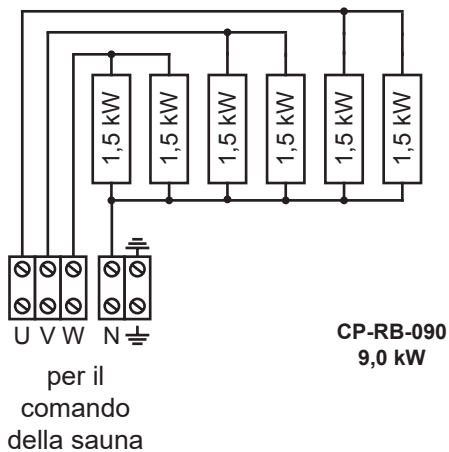
4.5. Schema di collegamento 230V 1N~

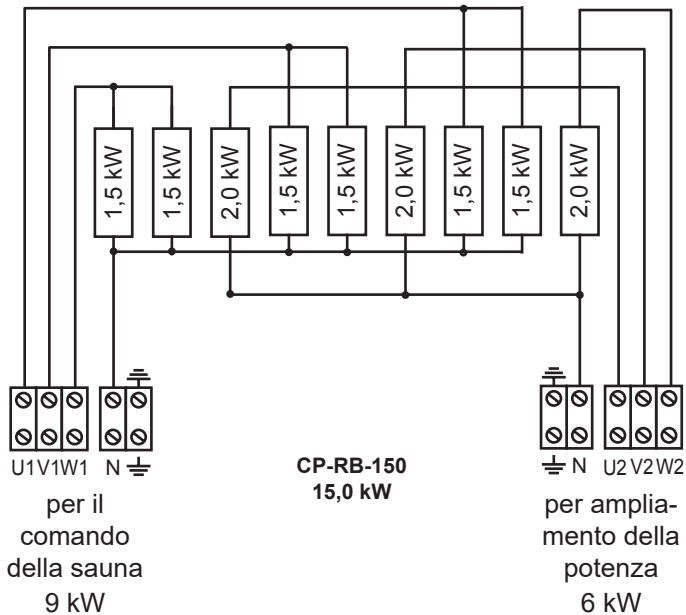
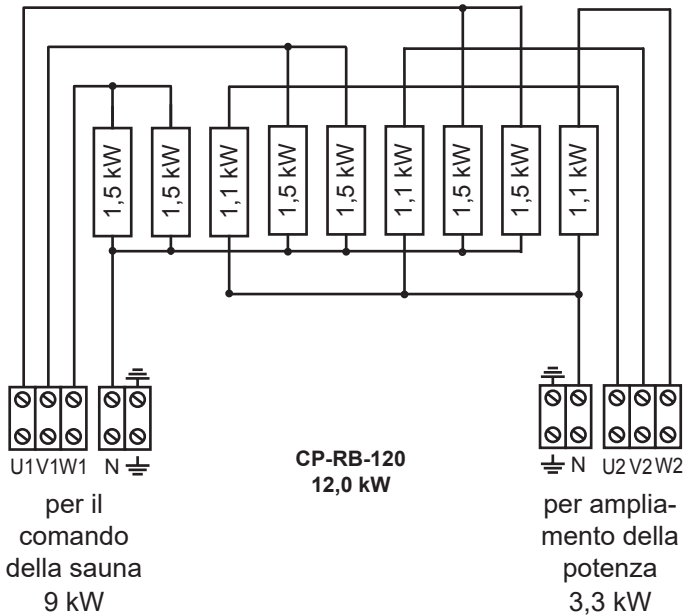
Fig. 5 Schema di collegamento Concept R 9 kW e 10,5 kW
(CP-RB-090 / CP-RB-105)



- 1 Comando della sauna
- 2 Sonda termica con fusibile termico di protezione
- 3 Stufa per sauna 9 kW o 10,5 kW
- 4 Alimentazione di corrente
- * Rimuovere il ponte in rame

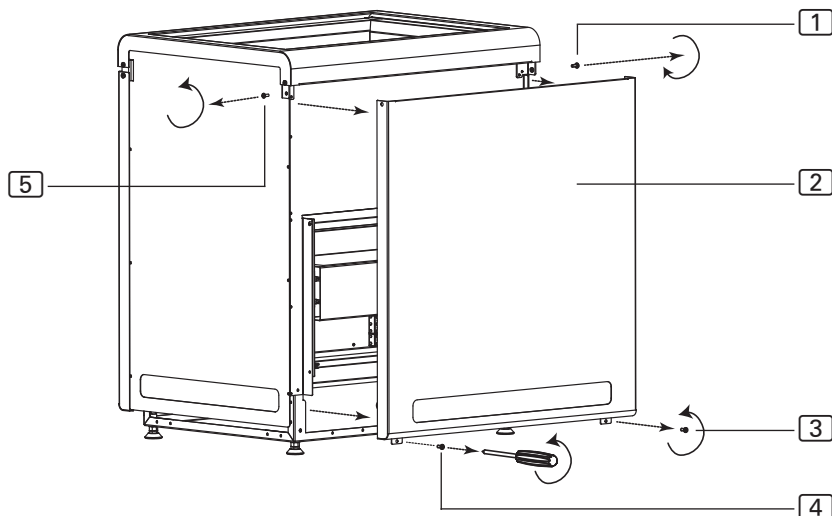
4.6. Schemi di cablaggio





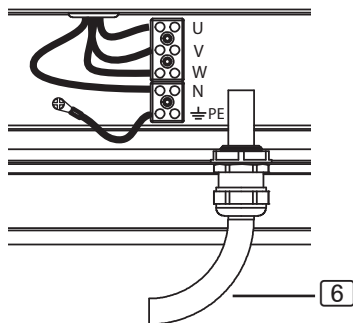
4.7. Collegamento elettrico

1. Allentare le viti **3** e **4** con un cacciavite.
2. Allentare le viti **1** e **5** con un cacciavite.
3. Rimuovere la lamiera di copertura **2**.



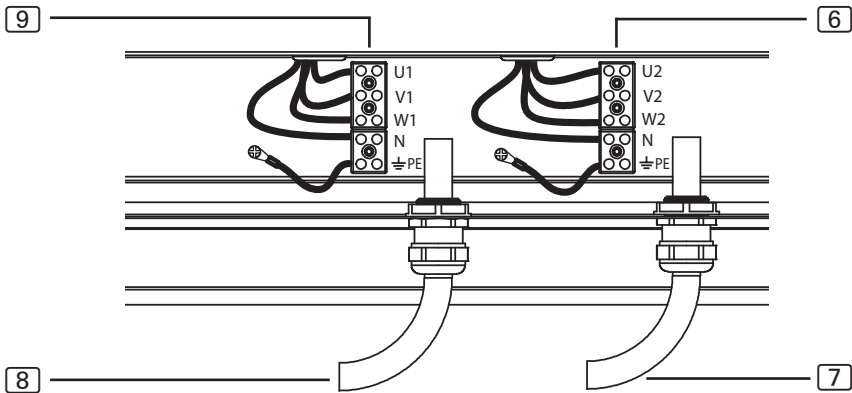
Collegamento di Concept R 9 kW e 10,5 kW (CP-RB-090 / CP-RB-105)

1. Inserire il cavo di collegamento attraverso l'apertura di passaggio **6**.
2. Collegare i fili del cavo di collegamento ai morsetti U – V – W – N – PE della stufa per sauna e ai morsetti corrispondenti del comando della sauna. Per quest'operazione seguire il manuale di montaggio del comando della sauna.
3. Fissare di nuovo la lamiera di copertura **2** sulla stufa della sauna.



Collegamento di Concept R 12 kW e 15 kW (CP-RB-120 / CP-RB-150)

1. Fare passare il cavo di collegamento per il comando della sauna attraverso l'apertura di passaggio [8].
2. Collegare i fili di questo cavo di collegamento ai morsetti U1 – V1 – W1 – N – PE della morsettiera [9] e ai morsetti adatti del comando della sauna. Per quest'operazione seguire il manuale di montaggio del comando della sauna.
3. Fare passare il cavo dell'ampliamento della potenza attraverso l'apertura di passaggio [7].
4. Collegare i fili del cavo per l'ampliamento della potenza ai morsetti U2 – V2 – W2 – N – PE della morsettiera [6] e ai morsetti adatti dell'ampliamento della potenza. Durante questa operazione osservare il manuale di montaggio dell'ampliamento della potenza.
5. Fissare di nuovo la lamiera di copertura [2] sulla stufa della sauna.



- [6] Morsettiera per l'ampliamento della potenza
- [7] Apertura di passaggio per il cavo per l'ampliamento della potenza
- [8] Morsettiera per il comando della sauna
- [9] Apertura di passaggio per il cavo di collegamento per il comando della sauna

5. Messa in funzione

5.1. Riempimento del contenitore delle pietre

**AVVERTENZA!*****Pericolo d'incendio per surriscaldamento***

Se la stufa per sauna viene utilizzata senza pietre, le pareti della cabina si riscaldano molto. Per questo motivo possono verificarsi incendi.

- Non mettere MAI in funzione la stufa per sauna senza pietre.
-

Per la quantità di pietre adatta per la potenza della vostra stufa, consultare il capitolo **10. Specifiche tecniche** (vedi pagina **25**).

1. Prima di utilizzare le pietre per la sauna, lavarle accuratamente con una spazzola e acqua. Non utilizzare additivi per la pulizia.
2. Prima di mettere le pietre nella stufa, controllare se sono presenti corpi estranei e rimuovere i resti dell'imballaggio.
3. Mettere le pietre per sauna nell'apposito contenitore. Collocare le pietre per sauna in modo non troppo ravvicinato, affinché l'aria possa circolare fra gli spazi.
4. Assicurarsi che le pietre non sporgano oltre il bordo del contenitore.

5.2. Primo riscaldamento



ATTENZIONE!

Formazione di fumo e odori durante il primo riscaldamento

Sulle nuove resistenze si trovano materiali di consumo derivanti dal processo di produzione. Questi si disgregano al momento del primo riscaldamento della stufa. Ciò produce fumo e un odore sgradevole. In caso di inalazione, questi fumi e vapori sono nocivi per la salute.

Eeguire i seguenti passaggi se si mette in funzione **per la prima volta** la stufa e se **sono state sostituite le resistenze**. In tal modo si evitano danni alla salute dovuti a fumi e vapori che derivano dal primo riscaldamento.

1. Selezionare la temperatura più alta possibile sul comando della sauna.
2. Riscaldare la stufa per mezz'ora.
NON rimanere nella cabina durante questo arco di tempo.
3. Aerare bene la cabina dopo il primo riscaldamento.
4. Se al successivo riscaldamento non si produce alcun odore e fumo, si può procedere alla prima sauna.
Se continuano a prodursi odore e fumo, uscire immediatamente dalla cabina della sauna e ripetere la procedura del primo riscaldamento con successiva aerazione.

6. Impiego



AVVERTENZA!

Pericolo di incendio

Gli oggetti infiammabili che poggiano sulla stufa calda, infiammandosi causano incendi.

- Non appoggiare MAI oggetti infiammabili sulla stufa.
 - Prima di mettere in funzione la stufa per sauna, assicurarsi che su quest'ultima NON poggino oggetti infiammabili.
-

6.1. Utilizzo della stufa per sauna

Il comando della stufa per sauna avviene mediante un dispositivo di comando della sauna. Per informazioni sul comando della sauna leggere il manuale di istruzioni dell'apparecchio utilizzato. Osservare che la stufa per sauna Concept R è adatta solo per comandi della sauna senza funzione di avvio remoto.



Con il disinserimento di sicurezza opzionale (CP-R-SWL), la stufa per sauna Concept R è adatta anche per i comandi della sauna CON funzione di avvio remoto.

6.2. Gettata di vapore

Al termine della sauna è possibile eseguire una gettata di vapore. A tal fine versare acqua con un mestolo sulle pietre. Così facendo l'acqua evapora e l'umidità dell'aria nella cabina aumenta.

Durante la gettata di vapore, osservare i seguenti punti:

- Per la gettata di vapore utilizzare solo acqua del rubinetto. L'acqua salata e l'acqua contenente molto calcare e cloro possono danneggiare la stufa della sauna.
- Utilizzare solo aromi e oli essenziali adatti per essere utilizzati come sostanze per la gettata di vapore nelle saune. Osservare le indicazioni del produttore presenti sulla confezione delle essenze utilizzate per la gettata di vapore.
- Non versare l'acqua troppo velocemente sulle pietre. Solo così l'acqua per la gettata di vapore evapora completamente.

7. Manutenzione

7.1. Pause di funzionamento prolungate

In caso di condizioni ambientali umide o in seguito a pause di funzionamento prolungate, si accumula umidità nelle resistenze. Questo è un processo fisico e non un errore del produttore. L'umidità nelle resistenze può far scattare l'interruttore differenziale di protezione. Per eliminare il problema in questo caso informare un elettricista (vedi capitolo **9. Risoluzione del problema con l'intervento di un installatore**).



Riscaldare la stufa della sauna ogni 5, 6 settimane per ca. 15 minuti. In questo modo si impedisce l'accumulo d'acqua nelle resistenze in caso di pause di funzionamento prolungate.

7.2. Pulizia della stufa per sauna

Assicurarsi che le bocchette di aerazione siano libere da pelucchi e polvere. In questo modo si evita che diminuisca la circolazione dell'aria nella stufa e il surriscaldamento del dispositivo.

7.3. Sostituzione delle pietre

Le pietre subiscono forti sollecitazioni da parte delle sostanze per la gettata di vapore e dalle grandi differenze di temperatura che possono presentarsi con l'uso. Le pietre possono consumarsi o diventare friabili.

Controllare le pietre a intervalli regolari e sostituirle almeno una volta l'anno.



AVVERTENZA!

Pericolo d'incendio per surriscaldamento

Se la stufa per sauna viene utilizzata senza pietre, le pareti della cabina si riscaldano molto. Per questo motivo possono verificarsi incendi.

- Non mettere MAI in funzione la stufa per sauna senza pietre.

1. Rimuovere le pietre vecchie.
2. Eliminare dal contenitore delle pietre residui di calcare, polvere e altre impurità.
3. Prima di utilizzare le pietre per la sauna, lavarle accuratamente con una spazzola e acqua. Non utilizzare additivi per la pulizia.
4. Prima di mettere le pietre nella stufa, controllare se sono presenti corpi estranei e rimuovere i resti dell'imballaggio.
5. Mettere le pietre per sauna nell'apposito contenitore. Collocare le pietre per sauna in modo non troppo ravvicinato, affinché l'aria possa circolare fra gli spazi.
6. Assicurarsi che le pietre non sporgano oltre il bordo del contenitore.

8. Smaltimento



- Smaltire i materiali dell'imballaggio conformemente alle normative sullo smaltimento vigenti.
- I vecchi apparecchi contengono materiali riciclabili ma anche sostanze dannose. Non gettare mai l'apparecchio usato insieme ai rifiuti non riciclabili, bensì smaltirlo in conformità alle norme vigenti a livello locale.

9. Risoluzione del problema con l'intervento di un installatore

Riscaldamento delle resistenze

In caso di condizioni ambientali umide o in seguito a pause di funzionamento prolungate, può accumularsi umidità nelle resistenze. Questo è un processo fisico e non un errore del produttore. L'umidità nelle resistenze, in alcuni casi, può far scattare l'interruttore differenziale di protezione.

In questo caso è necessario riscaldare la stufa in presenza di un elettricista. A tal fine, la funzione di protezione dell'interruttore differenziale deve essere disattivata. Il processo di riscaldamento dura ca. 10 minuti. Dopodiché ripristinare la funzione di protezione dell'interruttore differenziale.

Se il problema persiste, rivolgersi al proprio fornitore.

10. Specifiche tecniche

Le dimensioni delle diverse varianti di prestazione si trovano nella **Fig. 6** e nella **Fig. 7** a pagina **26**.

<i>Numero articolo</i>	<i>Potenza [kW]</i>	<i>Volume della cabina [m³]</i>	<i>Dimensione minima bocchetta di aerazione [mm]</i>	<i>Peso senza pietre [kg]</i>
CP-RB-090	9,0	9–14	350 x 50	34
CP-RB-105	10,5	10–15	350 x 60	34
CP-RB-120	12,0	14–18	350 x 70	40
CP-RB-150	15,0	18–25	350 x 90	40

<i>Numero articolo</i>	<i>Quantità di pietre [kg]</i>	<i>Protezione [A]</i>	<i>Alimentazione</i>
CP-RB-090	ca. 25	3 x 16	400 V AC 3N~ 50/60 Hz 230 V AC 1N~ 50/60 Hz
CP-RB-105	ca. 25	3 x 16	400 V AC 3N~ 50/60 Hz 230 V AC 1N~ 50/60 Hz
CP-RB-120	ca. 35	3 x 16 / 3 x 10	400 V AC 3N~ 50/60 Hz
CP-RB-150	ca. 35	3 x 16 / 3 x 10	400 V AC 3N~ 50/60 Hz

<i>Numero articolo</i>	<i>Resistenze</i>
CP-RB-090	6 x SCA150 (1-028-518)
CP-RB-105	3 x SCA150 (1-028-518) / 3 x SCA200 (1-028-503)
CP-RB-120	6 x SCA150 (1-028-518) / 3 x CPRM115 (1-043-621)
CP-RB-150	6 x SCA150 (1-028-518) / 3 x SCA200 (1-028-503)

Fig. 6 Dimensioni Concept R 9 kW e 10,5 kW
(CP-RB-090 / CP-RB-105)
Unità di misura in mm

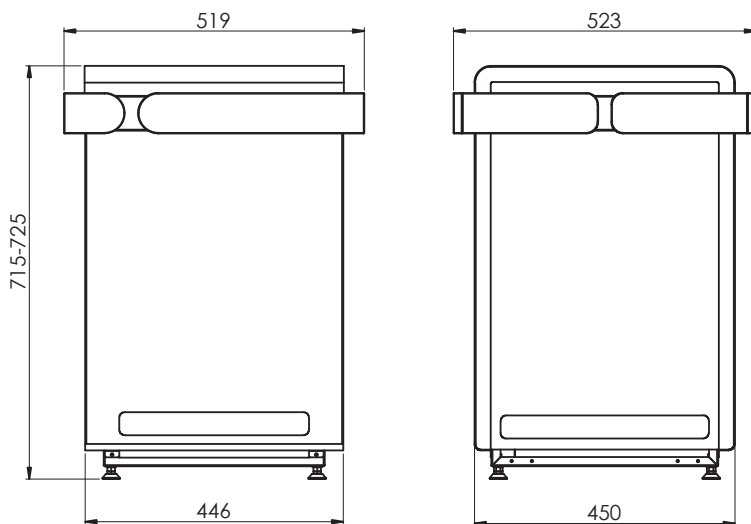
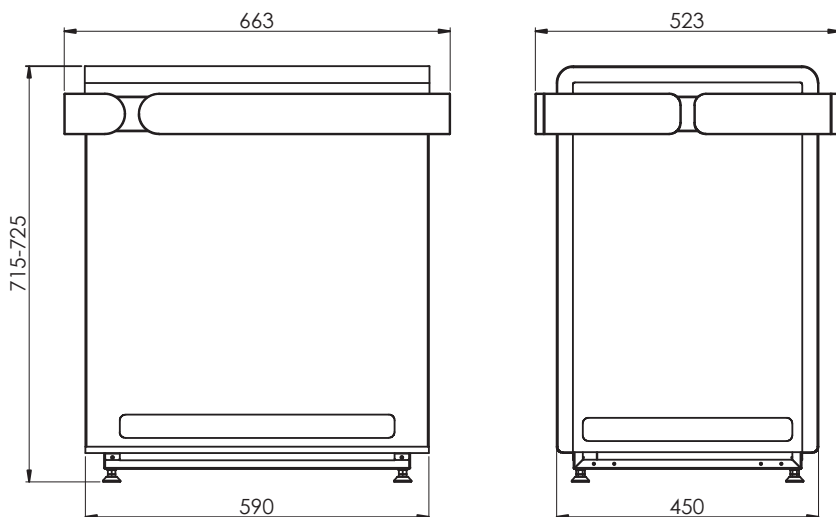


Fig. 7 Dimensioni Concept R 12 kW e 15 kW
(CP-RB-120 / CP-RB-150)
Unità di misura in mm



Saunakachel

Concept R black

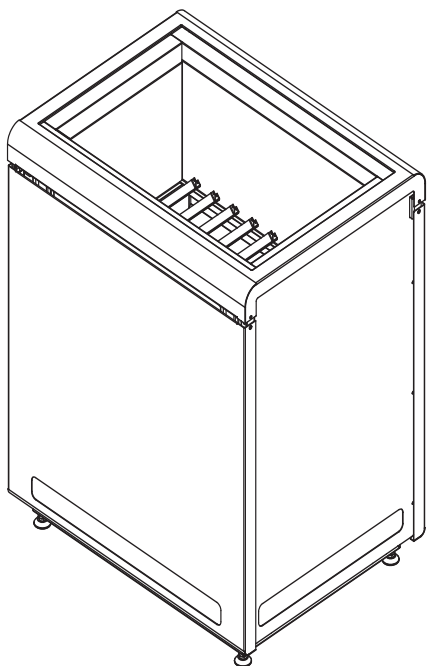
CP-RB-090 / 1-027-768: Concept R 9,0 kW black

CP-RB-105 / 1-027-769: Concept R 10,5 kW black

CP-RB-120 / 1-027-770: Concept R 12,0 kW black

CP-RB-150 / 1-027-771: Concept R 15,0 kW black

MONTAGE- EN GEBRUIKSAANWIJZING Nederlands



NL

Inhoudsopgave

1. Over deze handleiding	4
2. Belangrijke aanwijzingen voor uw veiligheid	5
2.1. Reglementair gebruik	5
2.2. Veiligheidsaanwijzingen voor de monteur	5
2.3. Veiligheidsaanwijzingen voor de gebruiker	7
3. Productbeschrijving	8
3.1. Leveromvang	8
3.2. Toebehoren	8
3.3. Productfuncties	8
4. Montage en aansluiting	9
4.1. Plaats van opstelling en voelerpositie	9
4.2. Veiligheidsafstanden	10
4.3. Hoogte verstellen	11
4.4. Aansluitschema 400V 3N~	12
4.5. Aansluitschema 230V 1N~	14
4.6. Bedradingschema's	15
4.7. Elektrische aansluiting	17
5. Inbedrijfstelling	19
5.1. Steenhouder vullen	19
5.2. Eerste keer verwarmen	20
6. Bediening	21
6.1. Saunakachel bedienen	21
6.2. Opgieten	21

7. Onderhoud	22
7.1. Langere bedrijfspauzes.....	22
7.2. Saunakachel reinigen.....	22
7.3. Saunastenen wisselen.....	22
8. Afvoer	23
9. Oplossen van problemen door de monteur	24
10. Technische gegevens	25

1. Over deze handleiding

Lees deze montage- en gebruiksaanwijzing goed door en bewaar deze in de buurt van de sauna. Zo kunt u te allen tijde informatie over uw veiligheid en de bediening nalezen.



U vindt deze montage- en gebruiksaanwijzing ook in het downloadbereik van onze website www.sentiotec.com/downloads.

Symbolen in waarschuwingsaanwijzingen

In deze montage- en gebruiksaanwijzing staat bij werkzaamheden die gevaarlijk kunnen zijn een waarschuwingsaanwijzing. Neem deze waarschuwingsaanwijzingen steeds in acht. Zo voorkomt u materiële schade, letsel en zelfs de dood.

In de waarschuwingsaanwijzingen worden signaalwoorden gebruikt die de volgende betekenis hebben:



GEVAAR!

Als u deze waarschuwingsaanwijzing niet in acht neemt, leidt dit tot ernstig letsel of de dood.



WAARSCHUWING!

Als u deze waarschuwingsaanwijzing niet in acht neemt, kan dit leiden tot ernstig letsel of de dood.



VOORZICHTIG!

Als u deze waarschuwingsaanwijzing niet opvolgt, kan dit leiden tot licht letsel.

ATTENTIE!

Dit signaalwoord waarschuwt voor materiële schade.

Andere symbolen



Dit symbool kenmerkt tips en nuttige aanwijzingen.



Niet afdekken!



Bedieningshandleiding lezen

2. Belangrijke aanwijzingen voor uw veiligheid

De saunakachel Concept R is gebouwd volgens de erkende veiligheidstechnische regels. Toch kunnen bij gebruik gevaren ontstaan. Neem daarom volgende veiligheidsaanwijzingen en de speciale waarschuwingaanwijzingen in de afzonderlijke hoofdstukken in acht.

2.1. Reglementair gebruik

De saunakachel Concept R mag uitsluitend worden gebruikt voor de verwarming van saunacabines in combinatie met een saunabesturing zonder startfunctie op afstand.

Alleen in combinatie met de optioneel verkrijgbare veiligheidsuitschakeling (CP-R-SWL) mag de saunakachel Concept R ook in combinatie met een saunabesturing met startfunctie op afstand worden gebruikt.

Alleen in combinatie met de optioneel verkrijgbare veiligheidsuitschakeling (CP-R-SWL) mag de saunakachel Concept R ook in openbare sauna's worden gebruikt.

Elk ander gebruik geldt als niet-reglementair. Niet-reglementair gebruik kan leiden tot productbeschadiging, ernstig letsel of de dood.

2.2. Veiligheidsaanwijzingen voor de monteur

- Montage- en aansluitwerkzaamheden aan de saunakachel mogen uitsluitend in stroomloze toestand worden uitgevoerd.
- De montage mag alleen door een elektricien of een vergelijkbaar gekwalificeerde persoon worden uitgevoerd.
- Op de plaats van opstelling moet een volledige scheidingsinrichting met complete uitschakeling overeenkomstig de overspanningscategorie III worden aangebracht.

- Gebruik voor de aansluiting van de saunakachel uitsluitend tot 150 °C temperatuurbestendige siliconenleidingen.
- Monteer slechts één saunakachel in de cabine. De saunakachel Concept R mag niet samen met andere saunakachels in één saunacabine worden gebruikt.
- Plafonds en muren van de saunacabine moeten van harsarm, onbehandeld of thermisch behandeld hout zijn vervaardigd, zoals Noorse spar, Canadese den, grenen- of sparrenhout, of van materialen met houtlagen. Bij gebruik van materialen met houtlagen mogen de kleefstoffen geen formaldehyde afgeven. Indien andere materialen dan hout in de saunacabine worden gebruikt, moeten deze hitte- en roestbestendig zijn en mogen deze materialen geen negatieve invloed hebben op de gezondheid van de saunagasten.
- De hoogte van de saunacabine moet minstens 2,0 m bedragen.
- Neem de gegevens over volume en ventilatie van de saunacabine in acht in hoofdstuk **10. Technische gegevens**.
- Neem bij het opstellen van de saunakachel de minimale veiligheidsafstanden in acht (zie hoofdstuk **4.2. Veiligheidsafstanden**).
- Neem ook de plaatselijke bepalingen op de plaats van opstelling in acht.
- Raadpleeg voor problemen die in de montageaanwijzingen niet uitvoerig genoeg werden behandeld in het belang van uw eigen veiligheid uw leverancier.

2.3. Veiligheidsaanwijzingen voor de gebruiker

- Het apparaat mag niet door kinderen onder 8 jaar worden gebruikt.
- Het apparaat mag door kinderen boven 8 jaar, door personen met verminderde psychische, sensorische of mentale vaardigheden en door personen met gebrek aan ervaring en kennis worden gebruikt, mits:
 - onder toezicht.
 - indien veilig gebruik werd gedemonstreerd en ze de gevaren die kunnen ontstaan, begrijpen.
- Kinderen mogen niet met het apparaat spelen.
- Kinderen onder 14 jaar mogen het apparaat alleen onder toezicht reinigen.
- Maak in het belang van uw eigen gezondheid geen gebruik van de sauna, indien u onder invloed staat van alcohol, medicamenten of drugs.
- Gebruik de saunakachel in geen geval zonder saunastenen, omdat anders brand kan ontstaan.
- Controleer of er geen brandbare voorwerpen op de saunakachel liggen voordat u de saunabesturing inschakelt.
- Verwarm de saunakachel VOOR het eerste saunabad een half uur. Betreed gedurende deze tijd de saunacabine NIET. Ventileer de saunacabine vervolgens grondig (zie **5.2. Eerste keer verwarmen** op pagina **20**).
- Raak de saunakachel tijdens bedrijf nooit aan. Het oppervlak van de saunakachel en de saunastenen worden zeer heet.
- Raadpleeg voor problemen die in de gebruiksaanwijzing niet uitvoerig genoeg werden behandeld in het belang van uw eigen veiligheid uw leverancier.

3. Productbeschrijving

3.1. Leveromvang

- Saunakachel
- Montage- en gebruiksaanwijzing

3.2. Toebehoren

<i>Toebehoren</i>	<i>Artikelnummer</i>
Veiligheidsuitschakeling	CP-R-SWL
Houderset voor kachelreling	CP-R-HSR
LINDE houten reling klein (9 - 10,5 kW)	CP-R-L1
LINDE houten reling groot (12 - 15 kW)	CP-R-L2
WALNOOT houten reling klein (9 - 10,5 kW)	CP-R-N1
WALNOOT houten reling groot (12 - 15 kW)	CP-R-N2
Set houten reling LINDE klein (9 - 10,5 kW)	CPR-EMO-L1
Set houten reling LINDE groot (12 - 15 kW)	CPR-EMO-L2
Set houten reling WALNOOT klein (9 - 10,5 kW)	CPR-EMO-N1
Set houten reling WALNOOT groot (12 - 15 kW)	CPR-EMO-N2
Vermogensuitbreiding	O-S2-18 / O-S2-18S / O-S2-30

3.3. Productfuncties

De saunakachel is een Finse saunakachel voor een voor de Finse sauna typisch saunaklimaat van 80 tot 100 °C bij een luchtvochtigheid van ca. 10%.

4. Montage en aansluiting

Neem volgende punten in acht bij het opstellen en aansluiten van de saunakachel:



WAARSCHUWING!

Gevaar voor elektrische schok

- Voer de montage- en aansluitwerkzaamheden aan de saunakachel alleen in stroomloze toestand uit.
-

- De elektrische aansluiting mag alleen door een electricien of een vergelijkbaar gekwalificeerde persoon worden uitgevoerd.
- Op de plaats van opstelling moet een volledige scheidingsinrichting met complete uitschakeling overeenkomstig de overspanningscategorie III worden aangebracht.
- De saunakachel Concept R is een standkachel. Bevestiging aan de ondergrond of aan de saunawand is niet nodig.
- Positioneer de saunakachel niet op een ondergrond van licht brandbaar materiaal zoals hout of kunststof. Een geschikte ondergrond is bijvoorbeeld keramiek.

4.1. Plaats van opstelling en voelerpositie

Plaats de kachel in het midden voor de luchtinlaat in de cabinewand. Houd hierbij de in **afb. 1** en **afb. 2** aangegeven veiligheidsafstanden tot de cabinewand aan.

Monteer de temperatuurvoeler met oververhittingsbeveiliging aan de cabinewand boven het midden van de saunakachel. Houd een afstand van 15 cm tot het cabineplafond aan.

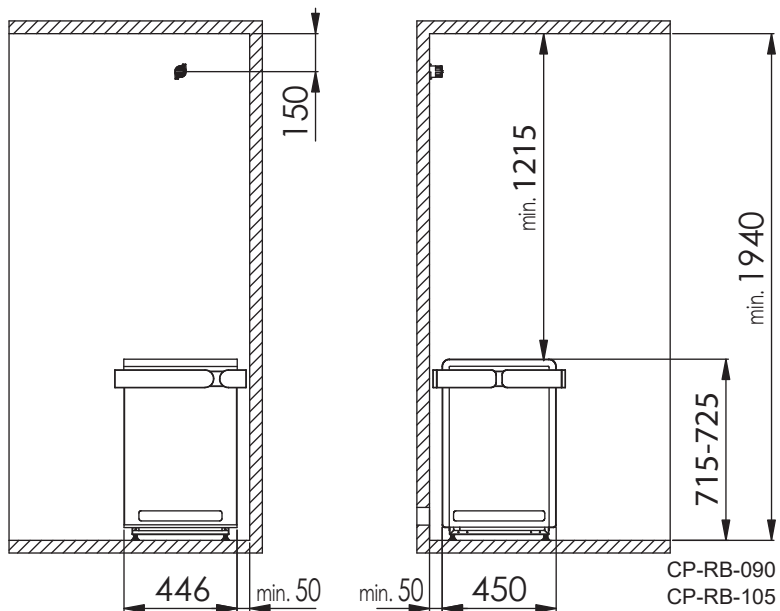


Als voor voldoende ventilatie wordt gezorgd, kan de saunakachel Concept R ook vrijstaand worden opgesteld. Monteer in dit geval de temperatuurvoeler aan het cabineplafond boven het kachelmidden.

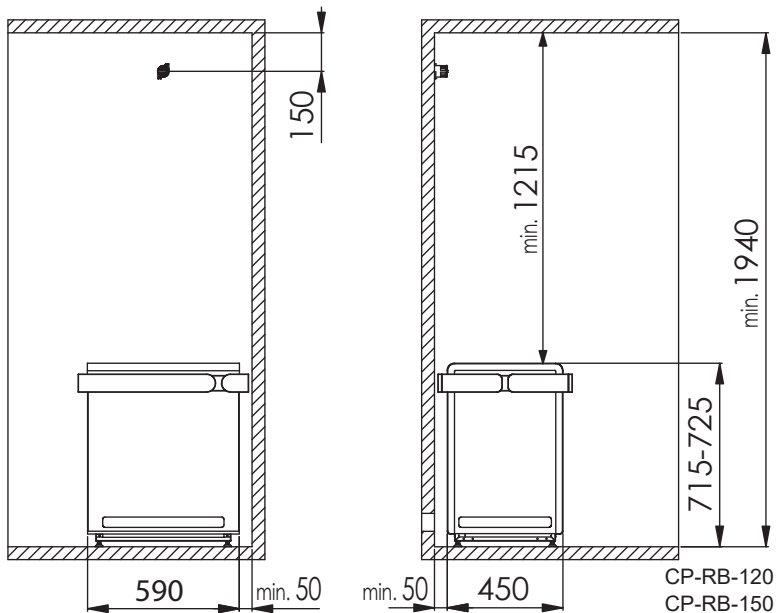
4.2. Veiligheidsafstanden

Neem de in **afb. 1** en **afb. 2** aangegeven minimale veiligheidsafstanden in acht.

afb. 1 Veiligheidsafstanden Concept R 9 kW en 10,5 kW
(CP-RB-090 / CP-RB-105)
Afmetingen in mm



afb. 2 Veiligheidsafstanden Concept R 12 kW en 15 kW
(CP-RB-120 / CP-RB-150)
Afmetingen in mm

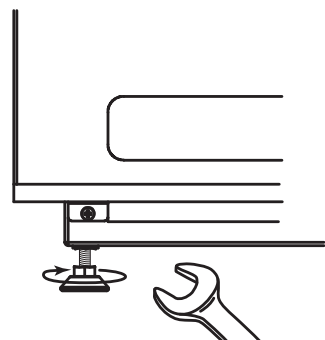


4.3. Hoogte verstellen

De saunakachel Concept R beschikt over hoogteverstelbare standvoeten. Hierdoor kan de hoogte van de saunakachel van 715 mm tot 725 mm worden ingesteld. Omdat de hoogte van elke standvoet individueel kan worden ingesteld, is aanpassing aan een niet effen ondergrond mogelijk.

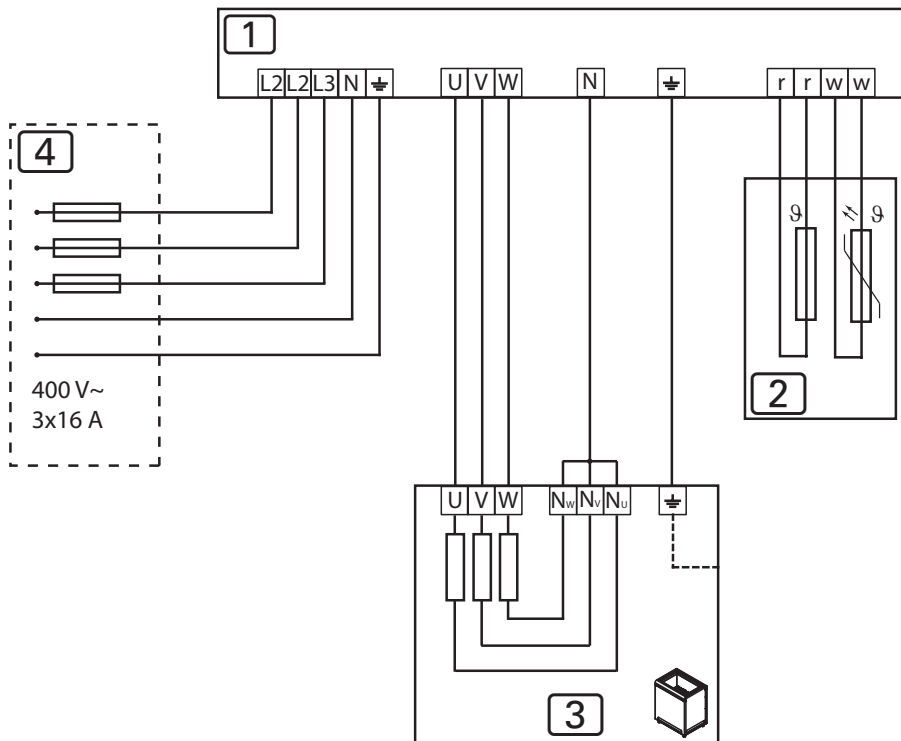
NL

1. Maak de standvoet van de saunakachel los met een steeksleutel (13 mm).
2. Til de saunakachel iets op en draai de voet naar rechts om de hoogte te verminderen. Draai naar links om de hoogte te vergroten.
3. Draai de standvoet met de steeksleutel weer vast.



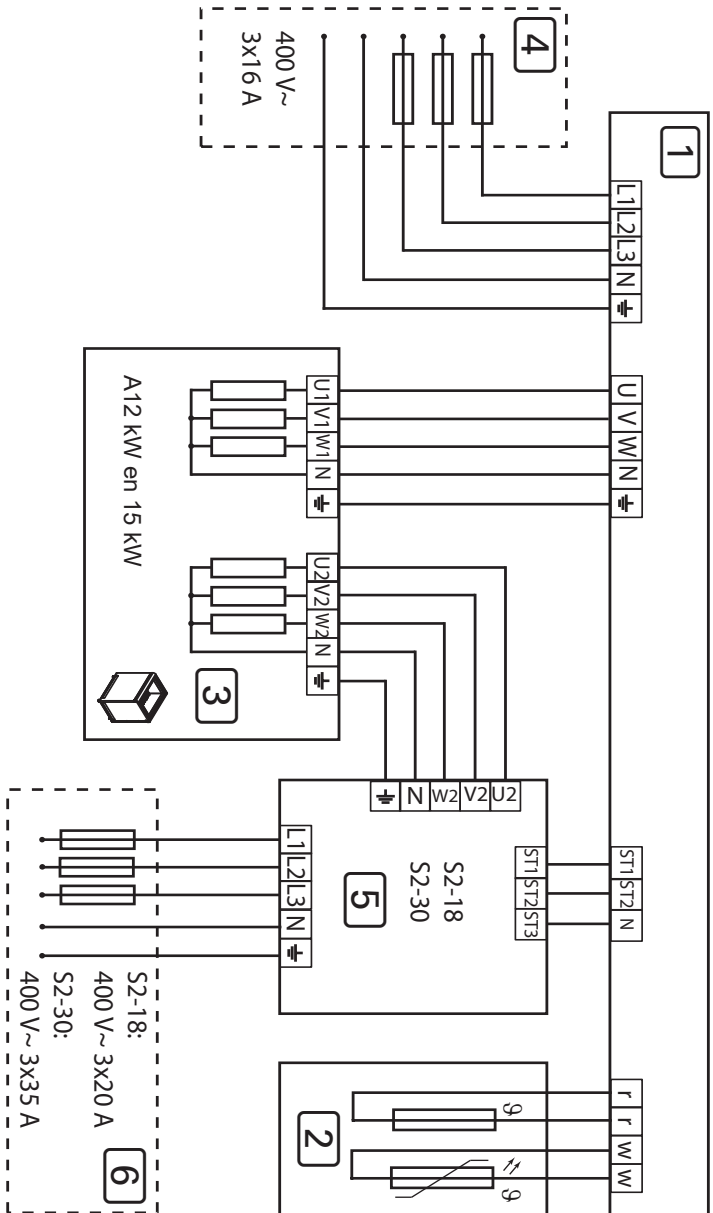
4.4. Aansluitschema 400V 3N~

afb. 3 Aansluitschema Concept R 9 kW en 10,5 kW
(CP-RB-090 / CP-RB-105)



- 1 Saunabesturing
- 2 Temperatuurvoeler met oververhittingsbeveiliging
- 3 Saunakachel 9 kW of 10,5 kW
- 4 Stroomvoorziening

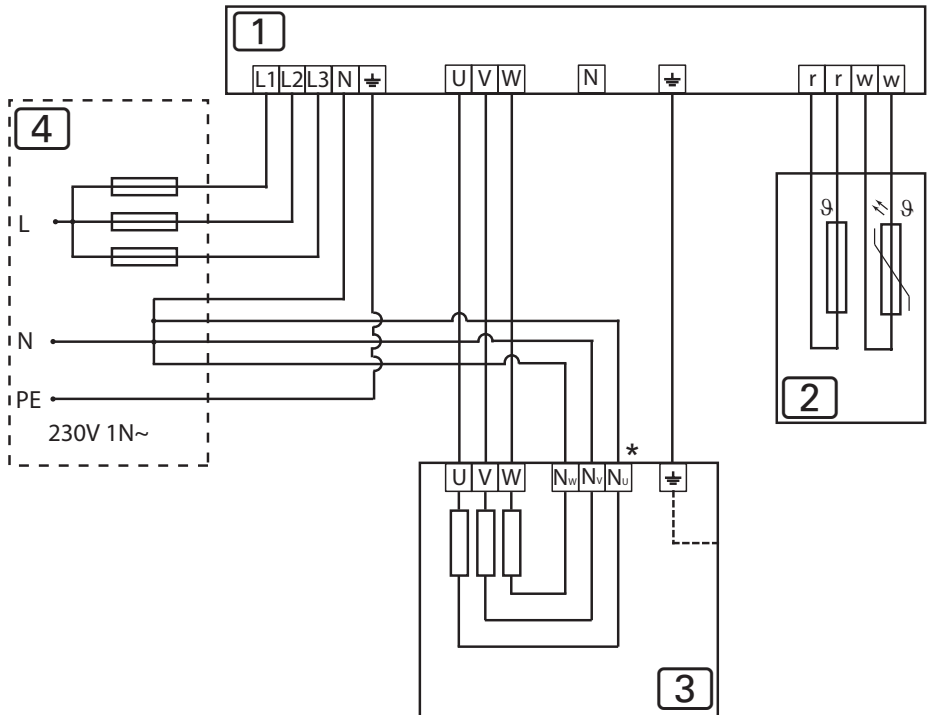
afb. 4 Aansluitschema Concept R 12 kW en 15 kW
(CP-RB-120 / CP-RB-150)



- 1 Saunabesturing
- 2 Temperatuurvoeler met oververhittingsbeveiliging
- 3 Saunakachel Concept R 12 kW of 15 kW
- 4 Stroomvoorziening van de saunabesturing
- 5 Vermogensuitbreiding
- 6 Stroomvoorziening van de vermogensuitbreiding

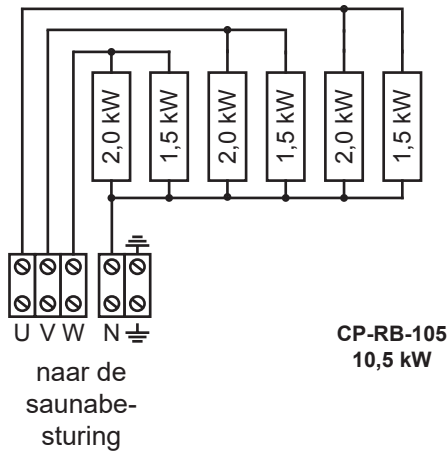
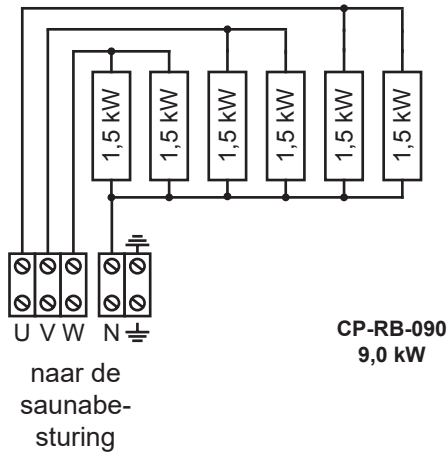
4.5. Aansluitschema 230V 1N~

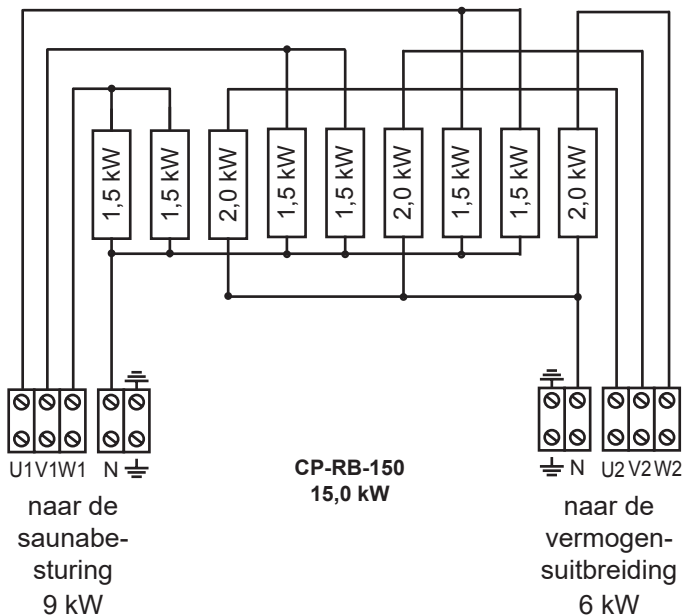
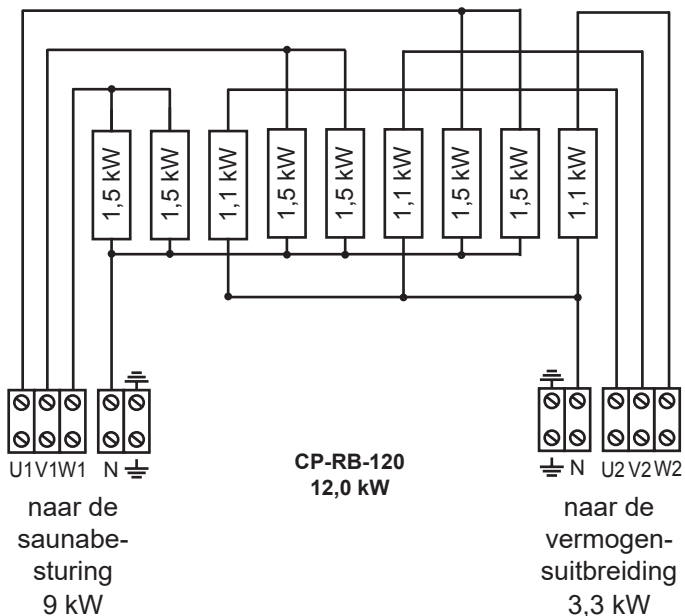
afb. 5 Aansluitschema Concept R 9 kW en 10,5 kW
(CP-RB-090 / CP-RB-105)



- 1 Saunabesturing
- 2 Temperatuurvoeler met oververhittingsbeveiliging
- 3 Saunakachel 9 kW of 10,5 kW
- 4 Stroomvoorziening
- * Koper-brug verwijderen

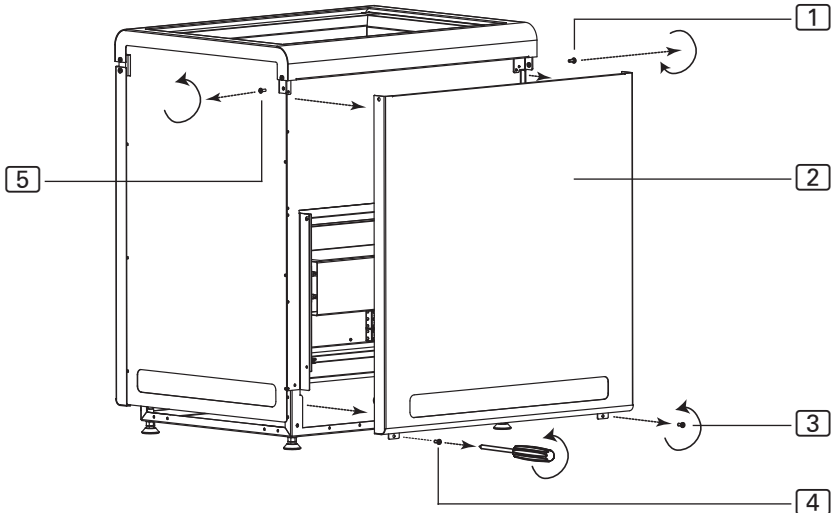
4.6. Bedradingschema's





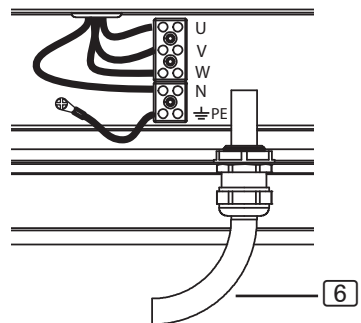
4.7. Elektrische aansluiting

1. Draai de schroeven **3** en **4** los met een schroevendraaier.
2. Draai de schroeven **1** en **5** los met een schroevendraaier.
3. Verwijder afdekplaat **2**.



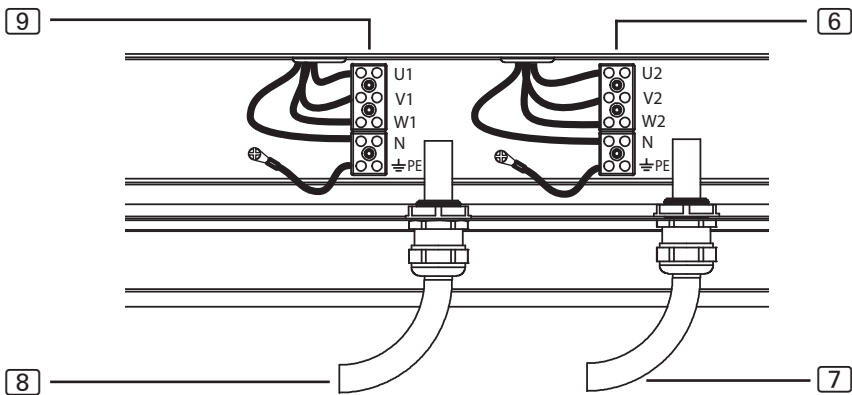
Aansluiting Concept R 9 kW en 10,5 kW (CP-RB-090 / CP-RB-105)

1. Leid de aansluitkabel door de doorvoering **6**.
2. Sluit de aders van de aansluitkabel aan op de klemmen U – V – W – N – PE van de saunakachel en op de passende klemmen van de saunabesturing. Neem hierbij de montagehandleiding van de saunabesturing in acht.
3. Bevestig de afdekplaat **2** weer op de saunakachel.



Aansluiting Concept R 12 kW en 15 kW (CP-RB-120 / CP-RB-150)

1. Leid de aansluitkabel voor de saunabesturing door de doorvoering [8].
2. Sluit de aders van deze aansluitkabel aan op de klemmen U1 – V1 – W1 – N – PE van de aansluitlijst [9] en op de passende klemmen van de saunabesturing. Neem hierbij de montagehandleiding van de saunabesturing in acht.
3. Leid de kabel van de vermogensuitbreiding door de doorvoering [7].
4. Sluit de aders van de kabel naar de vermogensuitbreiding aan op de klemmen U2 – V2 – W2 – N – PE van de aansluitlijst [6] en op de passende klemmen van de vermogensuitbreiding. Neem hierbij de montagehandleiding van de vermogensuitbreiding in acht.
5. Bevestig de afdekplaat [2] weer op de saunakachel.



- [6] Aansluitlijst voor de vermogensuitbreiding
- [7] Doorvoering voor de kabel naar de vermogensuitbreiding
- [8] Aansluitlijst voor de saunabesturing
- [9] Doorvoering voor de aansluitkabel naar de saunabesturing

5. Inbedrijfstelling

5.1. Steenhouder vullen

**WAARSCHUWING!*****Brandgevaar door oververhitting***

Als de saunakachel zonder saunastenen wordt gebruikt, worden de cabinewanden zeer heet. Hierdoor kan brand ontstaan.

- Gebruik de saunakachel NOOIT zonder saunastenen.
-

De voor uw kachelvermogen geschikte hoeveelheid stenen vindt u in hoofdstuk **10. Technische gegevens** (zie pagina **25**).

1. Borstel de saunastenen voor gebruik grondig met water. Gebruik geen reinigingsmiddelen.
2. Controleer de stenen voor vullen in de saunakachel op vreemde deeltjes en verwijder verpakkingsresten.
3. Plaats de saunastenen in de steenhouder. Arrangeer de saunastenen los ten opzichte van elkaar, zodat nog lucht tussen de tussenruimtes kan doorstromen.
4. De saunastenen mogen niet over de rand van de steenhouder uitkomen.

5.2. Eerste keer verwarmen



VOORZICHTIG!

Rook- en geurvorming bij de eerste keer verwarmen

Op nieuwe verwarmingsstaven bevinden zich bedrijfsstoffen van het productieproces. Deze verdwijnen bij de eerste keer verwarmen van de saunakachel. Hierbij ontstaan rook en een onaangename geur. Als u deze dampen of de rook inademt, is dit schadelijk voor uw gezondheid.

Voer de volgende stappen uit, als u uw saunakachel **de eerste keer in bedrijf neemt** en nadat de **verwarmingsstaven van uw saunakachel vervangen** werden. Zo voorkomt u schade aan uw gezondheid door dampen en rook die ontstaan bij de eerste keer verwarmen.

1. Kies op de saunabediening de hoogst mogelijke temperatuur.
2. Verwarm de saunakachel gedurende een half uur.
Betreed gedurende deze tijd de saunacabine NIET.
3. Ventileer de saunacabine na de eerste keer verwarmen goed.
4. Als bij de volgende keer verwarmen geen rook en geuren meer ontstaan, kunt u met het eerste saunabad beginnen.
Als opnieuw rook en geuren ontstaan, de saunacabine onmiddellijk verlaten en de eerste keer verwarmen en aansluitend luchten herhalen.

6. Bediening



WAARSCHUWING!

Brandgevaar

Brandbare voorwerpen die op de hete saunakachel liggen kunnen ontvlammen en brand veroorzaken.

- Leg **NOOIT** brandbare voorwerpen op de saunakachel.
- Controleer of **GEEN** brandbare voorwerpen op de saunakachel liggen, alvorens de saunakachel in te schakelen.

6.1. Saunakachel bedienen

De saunakachel wordt bediend met een saunabesturing. Voor informatie over bediening van saunabesturing leest u de bedieningshandleiding van het gebruikte apparaat. Let op dat de saunakachel Concept R alleen geschikt is voor saunabesturingen zonder startfunctie op afstand.



Met de optioneel verkrijgbare veiligheidsuitschakeling (CP-R-SWL) is de saunakachel Concept R ook geschikt voor saunabesturingen **MET** startfunctie op afstand.

6.2. Opgieten

Aan het einde van de saunagang kunt u opgieten. Giet dan water met een saunalepel over de saunastenen. Hierdoor verdampt water en wordt de luchtvochtigheid in de saunacabine verhoogd.

Neem voor opgieten de volgende punten in acht:

- Gebruik voor opgieten alleen leidingwater. Zeewater, sterk kalkhoudend water en chloorwater kunnen de saunakachel beschadigen.
- Gebruik alleen geurstoffen en etherische oliën die uitdrukkelijk voor gebruik als opgiemiddel in sauna's geschikt zijn. Neem de fabrikantgegevens op de verpakking van het opgiemiddel in acht.
- Giet niet te snel water over de saunastenen. Alleen dan verdampt het opgiewater volledig.

7. Onderhoud

7.1. Langere bedrijfspauzes

In vochtige omgevingen of bij lange bedrijfspauzes verzamelt zich vocht in de verwarmingsstaven. Dit is een fysisch proces en geen fout van de fabrikant. Het vocht in de verwarmingsstaven kan leiden tot het activeren van de aardlekschakelaar. Raadpleeg in dit geval een elektricien om de storing te verhelpen (zie hoofdstuk 9. **Oplossen van problemen door de monteur**).



Verwarm de saunakachel elke 5 tot 6 weken gedurende ca. 15 minuten. Zo voorkomt u dat zich na langere bedrijfspauzes water in de verwarmingsstaven verzamelt.

7.2. Saunakachel reinigen

De ventilatieopeningen moeten vrij zijn van pluizen en stof. Zo wordt voorkomen dat de luchtcirculatie in de saunakachel wordt gereduceerd en het apparaat oververhit raakt.

7.3. Saunastenen wisselen

Opgietmiddel en grote temperatuurverschillen tijdens gebruik zijn van invloed op saunastenen. De saunastenen kunnen worden aangetast en breekbaar worden.

Controleer de saunastenen regelmatig en vervang de stenen jaarlijks.



WAARSCHUWING!

Brandgevaar door oververhitting

Als de saunakachel zonder saunastenen wordt gebruikt, worden de cabinewanden zeer heet. Hierdoor kan brand ontstaan.

- Gebruik de saunakachel **NOOIT** zonder saunastenen.
-

1. Verwijder de oude saunastenen.
2. Verwijder kalkresten, stof en andere verontreinigingen van de steenhouder.
3. Borstel de saunastenen voor gebruik grondig met water. Gebruik geen reinigingsmiddelen.
4. Controleer de stenen voor vullen in de saunakachel op vreemde deeltjes en verwijder verpakkingsresten.
5. Plaats de saunastenen in de steenhouder. Arrangeer de saunastenen los ten opzichte van elkaar, zodat nog lucht tussen de tussenruimtes kan doorstromen.
6. De saunastenen mogen niet over de rand van de steenhouder uitkomen.

8. Afvoer



- Voer het verpakkingsmateriaal af volgens de geldende afvoer-richtlijnen.
- Oude apparaten bevatten opnieuw bruikbare materialen maar ook schadelijke stoffen. Deponeer uw oude apparaat daarom in geen geval bij het gewone afval, maar voer het apparaat af volgens de plaatselijk geldende voorschriften.

9. Oplossen van problemen door de monteur

Verwarmingsstaven verwarmen

Vochtige omgevingsomstandigheden of lange bedrijfspauzes kunnen leiden tot achterblijven van vocht in de verwarmingsstaven. Dit is een fysisch proces en geen fout van de fabrikant. Het vocht in de verwarmingsstaven kan eventueel leiden tot het activeren van de aardlekschakelaar.

In dit geval moet de saunakachel onder toezicht van een elektricien worden gedroogd door verwarmen. Daarom moet de zekeringfunctie van de aardlekschakelaar buiten werking worden gesteld. Drogen door verwarmen duurt ongeveer 10 minuten. Daarna moet de zekeringfunctie van de aardlekschakelaar weer worden hersteld.

Als het probleem verder bestaat, raadpleeg dan uw leverancier.

10. Technische gegevens

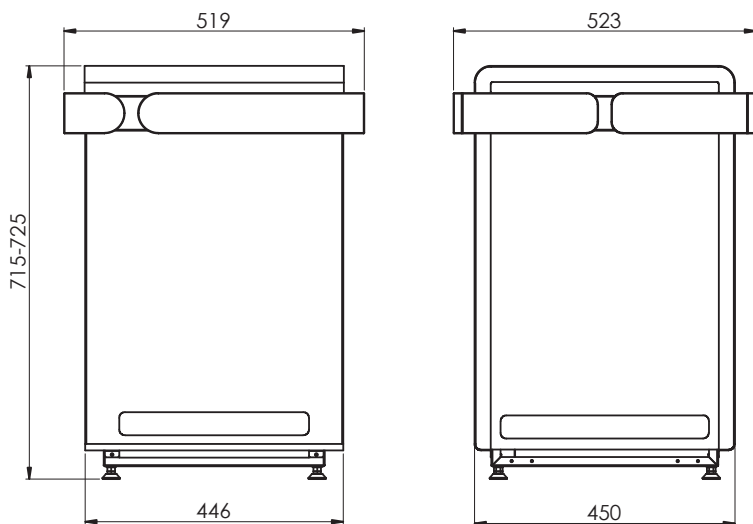
De afmetingen van de verschillende vermogensvarianten vindt u in **afb. 6** en **afb. 7** op pagina **26**.

<i>Artikel-nummer</i>	<i>Vermogen [kW]</i>	<i>Cabinevolume [m³]</i>	<i>Minimumgrootte ventilatieopening [mm]</i>	<i>Gewicht zonder stenen [kg]</i>
CP-RB-090	9,0	9 - 14	350 x 50	34
CP-RB-105	10,5	10 - 15	350 x 60	34
CP-RB-120	12,0	14 - 18	350 x 70	40
CP-RB-150	15,0	18 - 25	350 x 90	40

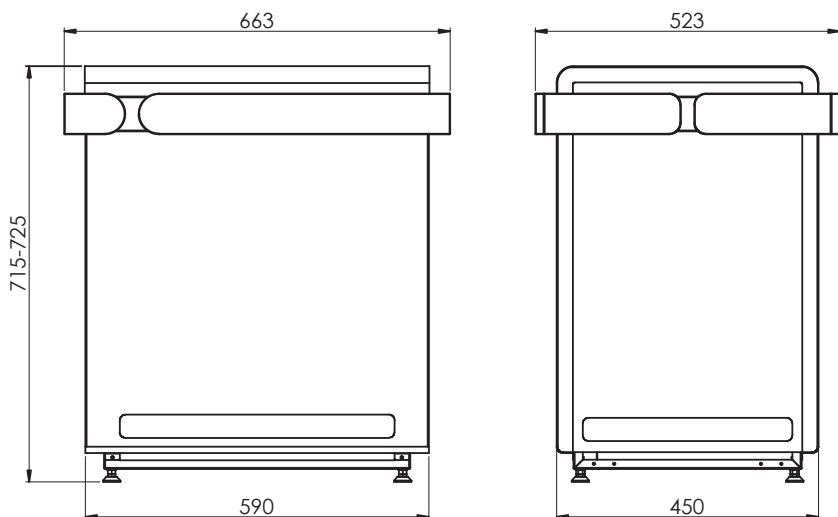
<i>Artikel-nummer</i>	<i>Steenhoeveelheid [kg]</i>	<i>Zekering [A]</i>	<i>Voeding</i>
CP-RB-090	ca. 25	3 x 16	400 V AC 3N~ 50/60 Hz 230 V AC 1N~ 50/60 Hz
CP-RB-105	ca. 25	3 x 16	400 V AC 3N~ 50/60 Hz 230 V AC 1N~ 50/60 Hz
CP-RB-120	ca. 35	3 x 16 / 3 x 10	400 V AC 3N~ 50/60 Hz
CP-RB-150	ca. 35	3 x 16 / 3 x 10	400 V AC 3N~ 50/60 Hz

<i>Artikel-nummer</i>	<i>Verwarmingsstaven</i>
CP-RB-090	6 x SCA150 (1-028-518)
CP-RB-105	3 x SCA150 (1-028-518) / 3 x SCA200 (1-028-503)
CP-RB-120	6 x SCA150 (1-028-518) / 3 x CPRM115 (1-043-621)
CP-RB-150	6 x SCA150 (1-028-518) / 3 x SCA200 (1-028-503)

afb. 6 Afmetingen Concept R 9 kW en 10,5 kW
(CP-RB-090 / CP-RB-105)
Afmetingen in mm



afb. 7 Afmetingen Concept R 12 kW en 15 kW
(CP-RB-120 / CP-RB-150)
Afmetingen in mm



Bastuaggregat

Concept R black

CP-RB-090/1-027-768: Concept R 9,0 kW black

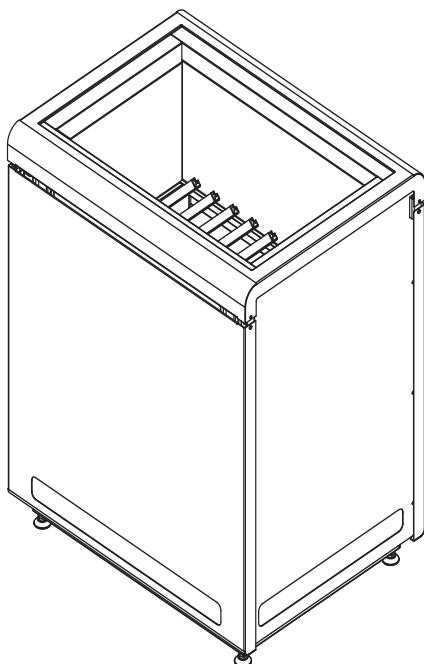
CP-RB-105/1-027-769: Concept R 10,5 kW black

CP-RB-120/1-027-770: Concept R 12,0 kW black

CP-RB-150/1-027-771: Concept R 15,0 kW black

MONTERINGS- OCH BRUKSANVISNING

Svenska



SV

Innehållsförteckning

1. Om monterings- och bruksanvisningen	4
2. Viktig säkerhetsinformation	5
2.1. Ändamålsenlig användning	5
2.2. Säkerhetsanvisningar för installatören	5
2.3. Säkerhetsanvisningar för användaren	7
3. Produktbeskrivning	8
3.1. Leveransomfattning	8
3.2. Tillbehör	8
3.3. Funktioner	8
4. Installation och anslutning	9
4.1. Uppställningsplats och givarposition	9
4.2. Säkerhetsavstånd	10
4.3. Höjdjustering	11
4.4. Kopplingsschema för 400 V 3N~	12
4.5. Kopplingsschema för 230V 1N~	14
4.6. Elscheman	15
4.7. Elanslutning	17
5. Driftstart	19
5.1. Fylla på stenkorgen	19
5.2. Den första uppvärmningen	20
6. Användning	21
6.1. Användning	21
6.2. Hälla vatten på stenarna	21

7. Underhåll	22
7.1. Längre användningsuppehåll.....	22
7.2. Rengöring av bastuaggregatet.....	22
7.3. Byta bastustenar.....	22
8. Avfallshantering	23
9. Felavhjälpning utförd av installatören	24
10. Tekniska data	25

1. Om monterings- och bruksanvisningen

Läs hela monterings- och bruksanvisningen noga och förvara den sedan i närheten av bastun. Du kan då när som helst läsa de specifika säkerhets- och användningsanvisningarna.



Den här monterings- och bruksanvisningen kan även laddas ner från vår webbsida, www.sentiotec.com/downloads.

Symboler och varningar

I den här monterings- och bruksanvisningen används olika varningssymboler vid avsnitt som beskriver situationer som kan medföra fara eller risker av olika slag. Dessa varningar ska alltid beaktas. På så sätt undviker man sakskador och personskador, som i värsta fall kan ha dödlig utgång.

Följande signalord används:



FARA!

Om de här varningarna/anvisningarna inte följs leder det till allvarliga eller livsfarliga skador.



VARNING!

Om de här varningarna/anvisningarna inte följs kan det leda till allvarliga eller livsfarliga skador.



FÖRSIKTIGHET!

Om de här varningarna/anvisningarna inte följs kan det leda till lindriga skador.

OBS!

Varnar för sakskador.

Övriga symboler



Används vid tips och nyttig information.



Täck inte över!



Läs bruksanvisningen

2. Viktig säkerhetsinformation

Bastuaggregatet Concept R har konstruerats och tillverkats enligt vedertagna säkerhetstekniska regler. Det kan ändå uppstå vissa risker under användningen. Följ alltid nedanstående säkerhetsanvisningar och observera de särskilda varningarna i resp. kapitel.

2.1. Ändamålsenlig användning

Bastuaggregatet Concept R är endast avsett att användas för uppvärmning av basturum i kombination med en styrenhet utan fjärrstart.

Bastuaggregatet Concept R får endast användas tillsammans med en styrenhet med fjärrstartfunktion om det samtidigt installeras en anordning för säkerhetsavstängning (CP-R-SWL).

Bastuaggregatet Concept R får endast användas i allmänna bastur när det kombineras med säkerhetsavstängningen (CP-R-SWL), som kan beställas som tillval.

All annan användning betraktas som ej ändamålsenlig. Ej ändamålsenlig användning kan leda till skador på produkten och innebära risk för allvarliga eller livsfarliga skador.

2.2. Säkerhetsanvisningar för installatören

- Bastuaggregatet får endast installeras och anslutas i spänningslöst tillstånd.
- Montering/installation får endast utföras av elektriker.
- På plats ska en allpolig fränkskiljare med komplett avstängning enligt överspänningskategori III installeras.
- Använd endast silikonkablar med värmetålighet upp till 150 °C för anslutning av bastuaggregatet.

- Installera endast ett bastuaggregat i varje basturum. Bastuaggregatet Concept R får inte användas i ett basturum tillsammans med andra bastuaggregat.
- Bastuns väggar och tak ska vara tillverkade av obehandlat eller termiskt behandlat trä med låg hartshalt, t.ex. nordisk gran, hemlock, tall eller ädelgran, eller av flerskikts träskivor. Om flerskikts träskivor används får limmet inte innehålla formaldehyd. Om andra material än trä används i bastun måste de vara värme- och korrosionsbeständiga och får inte utgöra någon hälsorisk för bastubadarna.
- Basturummet ska ha minst 2,0 meters takhöjd.
- Beakta uppgifterna om volym och ventilation av basturummet i kapitel **10. Tekniska data**.
- Observera min. avstånden vid installation av bastuaggregatet (se kapitel **4.2. Säkerhetsavstånd**).
- Följ gällande lokala bestämmelser.
- Om det uppstår problem som inte beskrivs tillräckligt detaljerat i monteringsanvisningarna, vänd dig, för din egen säkerhets skull, till leverantören/återförsäljaren.

2.3. Säkerhetsanvisningar för användaren

- Barn under 8 år får inte använda utrustningen.
- Under följande förutsättningar får utrustningen användas av barn över 8 år, av personer med nedsatt psykisk, sensorisk eller mental förmåga och av personer som saknar erfarenhet och kunskap om liknande utrustningar:
 - under uppsikt.
 - när de har instruerats om säker användning och känner till vilka risker som kan uppstå.
- Utrustningen är ingen leksak. Barn får inte leka med den.
- Barn under 14 år får endast rengöra utrustningen under uppsikt.
- Av hälsoskäl bör man inte bada bastu när man är påverkad av alkohol, läkemedel eller droger.
- Använd aldrig bastuaggregatet utan bastustenar – det kan medföra brandrisk.
- Kontrollera att det inte finns några brännbara föremål på bastuaggregatet innan styrenheten slås på.
- Värm upp bastuaggregatet en halvtimme INNAN du ska använda bastun för första gången. Vistas INTE i basturummet under denna tid. Vädra därefter basturummet ordentligt (se **5.2. Den första uppvärmningen** på sidan **20**).
- Vidrör aldrig bastuaggregatet när det är igång. Bastuaggregatets yta och bastustenarna blir mycket varma.
- Om det uppstår problem som inte beskrivs tillräckligt detaljerat i bruksanvisningen, vänd dig, för din egen säkerhets skull, till leverantören/återförsäljaren.

3. Produktbeskrivning

3.1. Leveransomfattning

- Bastuaggregat
- Monterings- och bruksanvisning

3.2. Tillbehör

<i>Tillbehör</i>	<i>Artikelnummer</i>
Säkerhetsavstängning	CP-R-SWL
Hållarsats för aggregatslist	CP-R-HSR
LIND trälist liten (9–10,5 kW)	CP-R-L1
LIND trälist stor (12–15 kW)	CP-R-L2
VALNÖT trälist liten (9–10,5 kW)	CP-R-N1
VALNÖT trälist stor (12–15 kW)	CP-R-N2
Emotion set trälist LIND liten (9–10,5 kW)	CPR-EMO-L1
Emotion set trälist LIND stor (12–15 kW)	CPR-EMO-L2
Emotion set trälist VALNÖT liten (9–10,5 kW)	CPR-EMO-N1
Emotion set trälist VALNÖT stor (12–15 kW)	CPR-EMO-N2
Effektförstärkare	O-S2-18 / O-S2-18S / O-S2-30

3.3. Funktioner

Bastuaggregatet Concept R är ett finsk bastuaggregat som skapar ett typiskt, finskt bastuklimat med en temperatur på 80 till 100 °C och en luftfuktighet på ca 10 %.

4. Installation och anslutning

Observera följande punkter vid installation och anslutning av bastuaggregatet:



VARNING!

Risk för elektriska stötar

- Montering/installation och anslutning av bastuaggregatet får endast göras i spänningslöst tillstånd.
-

- Elanslutningarna får endast utföras av utbildad elektriker.
- På plats ska en allpolig fränskiljare med komplett avstängning enligt över-spänningskategori III installeras.
- Bastuaggregatet Concept R är ett fristående aggregat. Det behöver inte monteras fast på golvet eller på väggen.
- Placera inte bastuaggregatet på ett golv av lätt brännbart material som t.ex. trä eller plast. Lämplig golvbeläggning är t.ex. keramiklinkers.

4.1. Uppställningsplats och givarposition

Ställ upp aggregatet mitt framför luftintaget på bastuväggen. Se till att de mini-miavstånd, som anges på **Bild 1** och **Bild 2** till bastuväggen hålls.

Montera temperaturgivaren med övertemperaturskydd på bastuväggen över bastuaggregatets mitt. Avståndet till bastuns tak ska vara 15 cm.



Förutsatt att det finns tillräcklig ventilation i basturummet kan bastuaggregatet Concept R även installeras fristående. Då ska temperaturgivaren installeras i taket över aggregatets mitt.

4.2. Säkerhetsavstånd

Beakta minimiavstånden som anges på **Bild 1** och **Bild 2**.

Bild 1 Säkerhetsavstånd för Concept R 9 kW och 10,5 kW
(CP-RB-090/CP-RB-105)
mått i mm

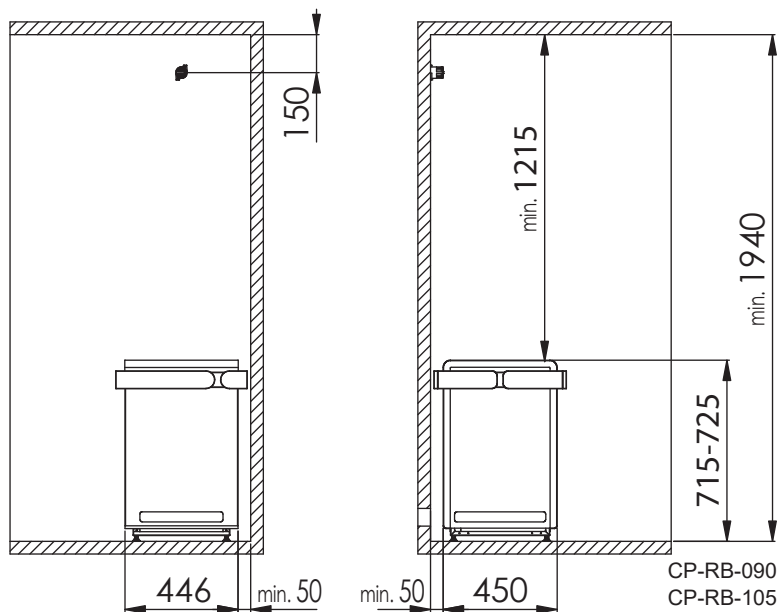
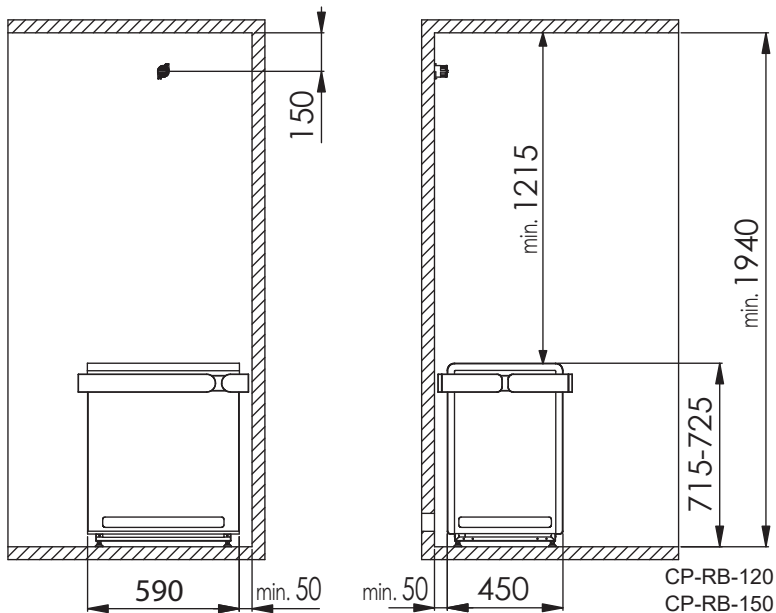


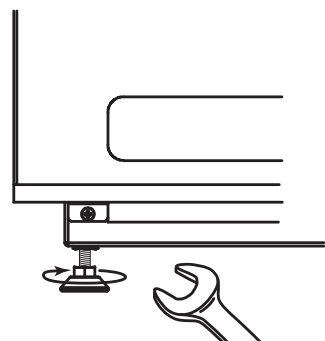
Bild 2 Säkerhetsavstånd för Concept R 12 kW och 15 kW
(CP-RB-120/CP-RB-150)
mått i mm



4.3. Höjdjustering

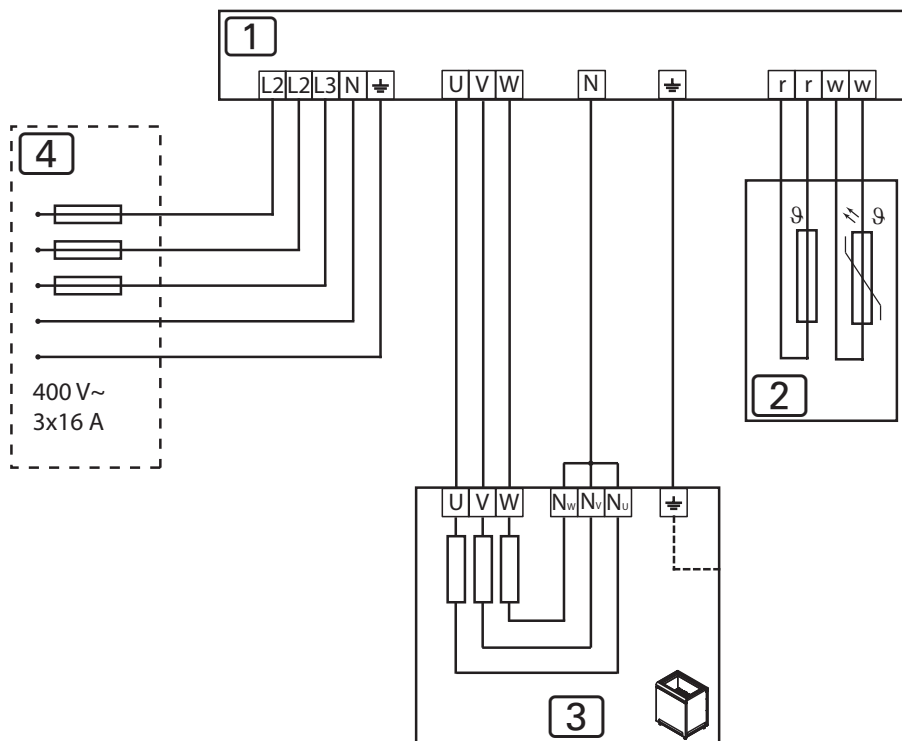
Bastuaggregatet Concept R har höjdjusterbara fötter. Bastuaggregatets höjd kan ställas in mellan 715 mm och 725 mm. Eftersom alla fötter kan justeras oberoende av varandra kan aggregatet även anpassas till ett ojämnt golv.

1. Lossa bastuaggregatets fot med en U-nyckel (13 mm).
2. Lyft bastuaggregatet något och vrid foten åt höger för att reducera höjden. Vrid åt vänster för att höja aggregatet.
3. Dra åt foten med U-nyckeln igen.



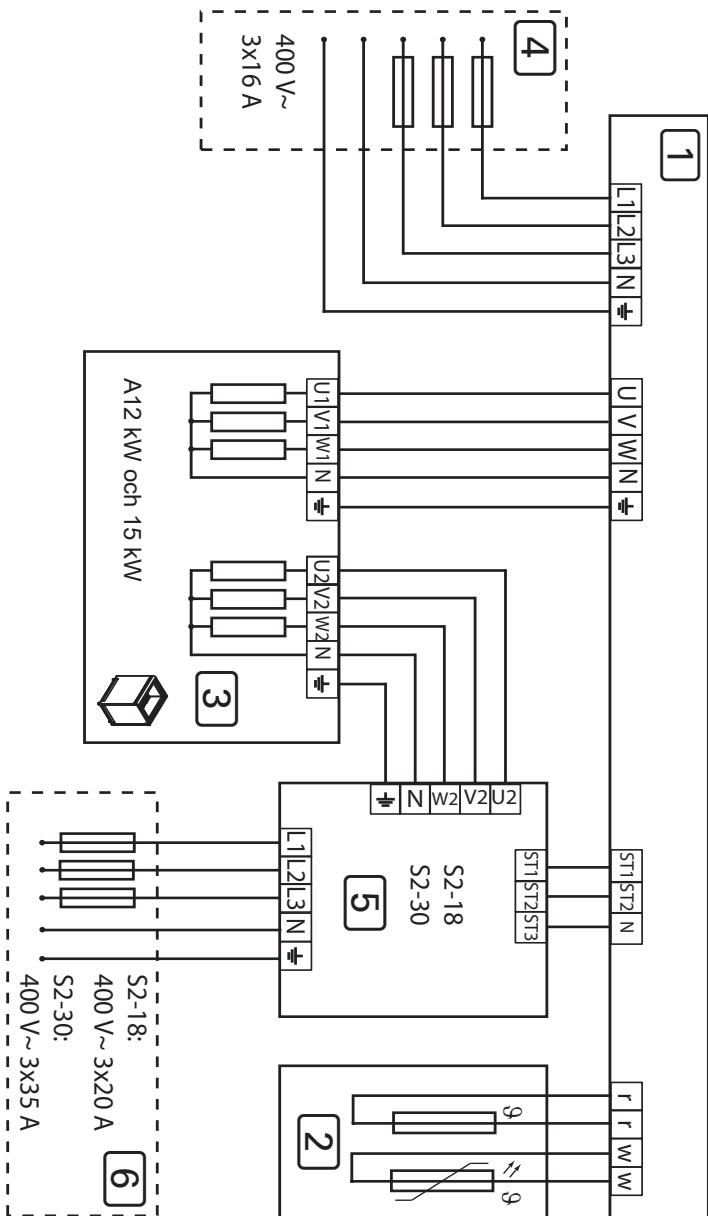
4.4. Kopplingschema för 400 V 3N~

Bild 3 Kopplingschema för Concept R 9 kW och 10,5 kW
(CP-RB-090/CP-RB-105)



- 1 Styrenhet
- 2 Temperaturgivare med övertemperurskydd
- 3 Bastuaggregat 9 kW eller 10,5 kW
- 4 Strömförsörjning

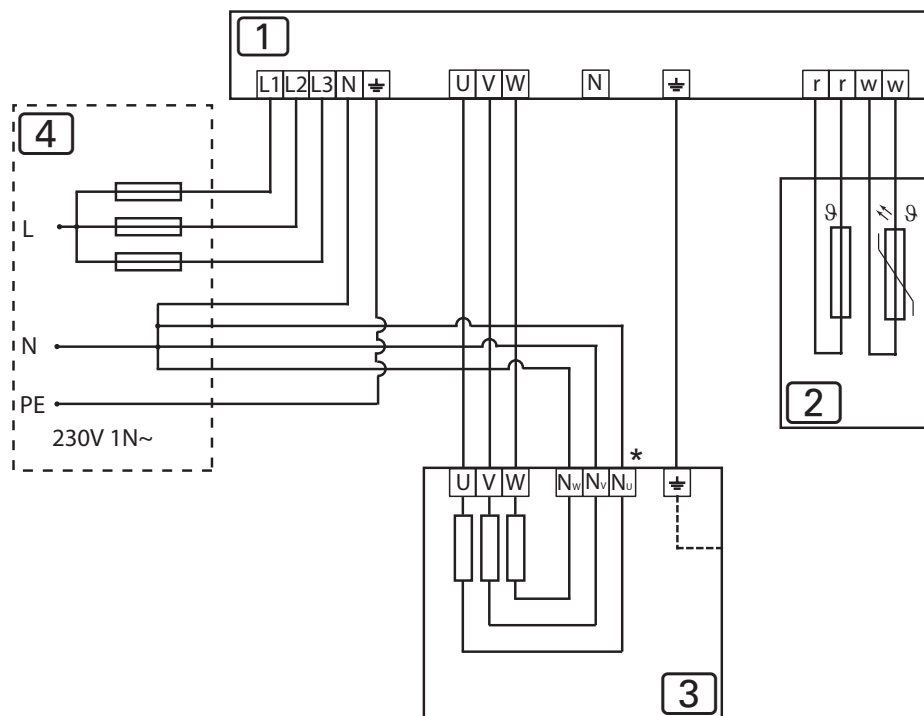
Bild 4 Kopplingschema för Concept R 12 kW och 15 kW
(CP-RB-120/CP-RB-150)



- 1 Styrenhet
- 2 Temperaturgivare med övertemperaturskydd
- 3 Bastuaggregat Concept R 12 kW eller 15 kW
- 4 Strömförsörjning för styrenheten
- 5 Effektförstärkare
- 6 Strömförsörjning för effektförstärkare

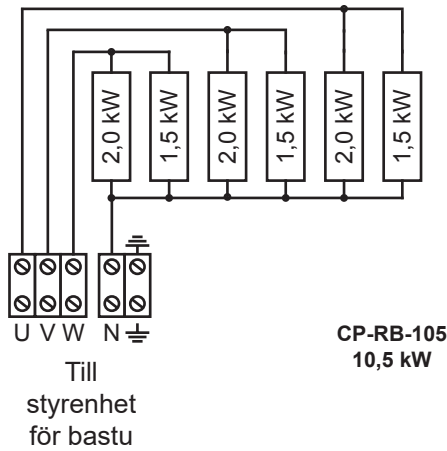
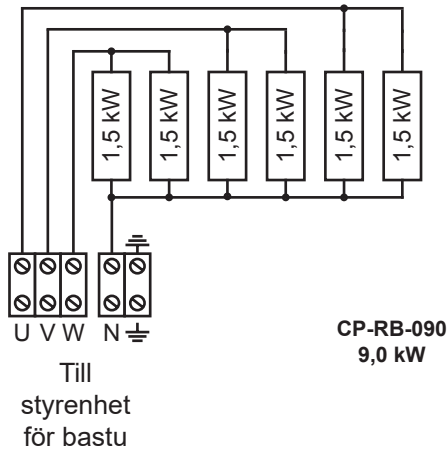
4.5. Kopplingschema för 230V 1N~

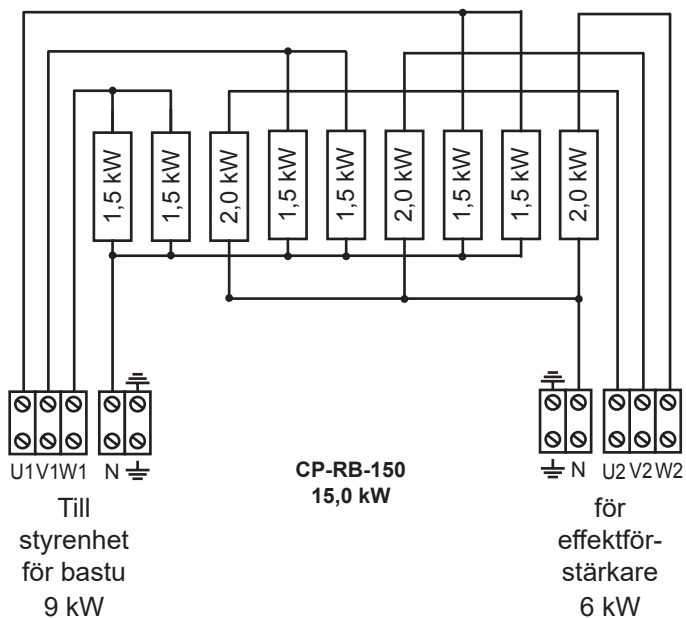
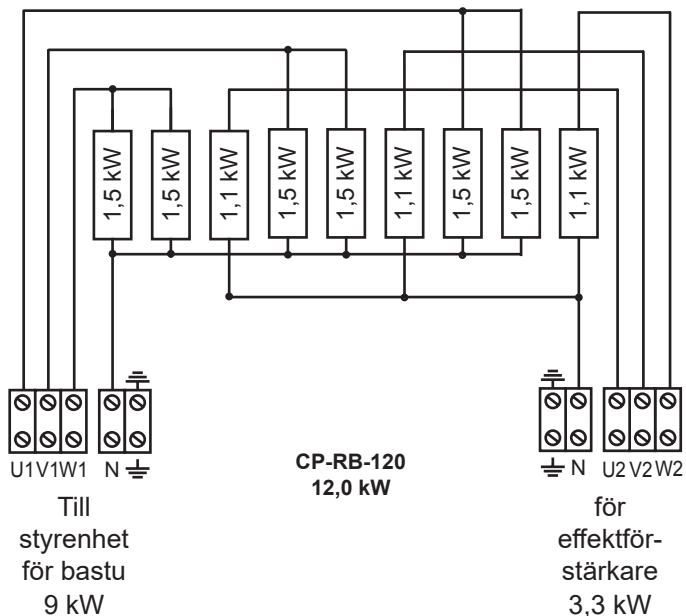
Bild 5 Kopplingschema för Concept R 9 kW och 10,5 kW
(CP-RB-090/CP-RB-105)



- 1 Styrenhet
- 2 Temperaturgivare med övertemperaturskydd
- 3 Bastuaggregat 9 kW eller 10,5 kW
- 4 Strömförsörjning
- * Borttagning av kopparbryggan

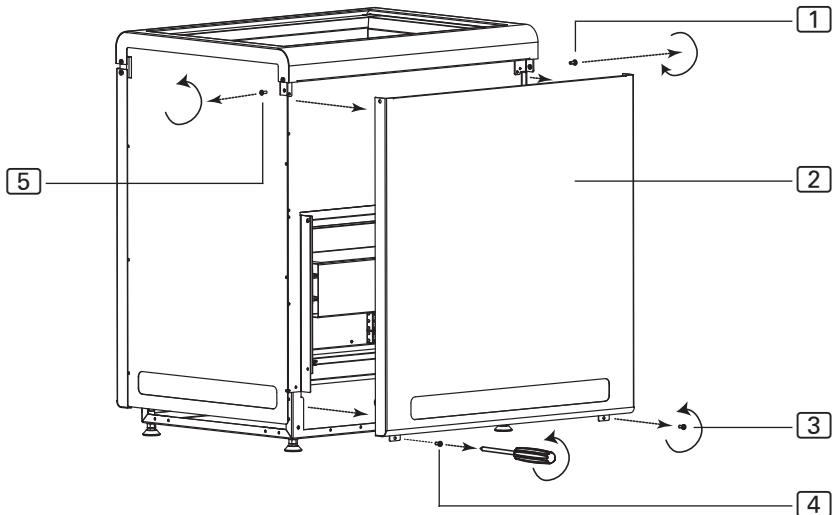
4.6. Elschema





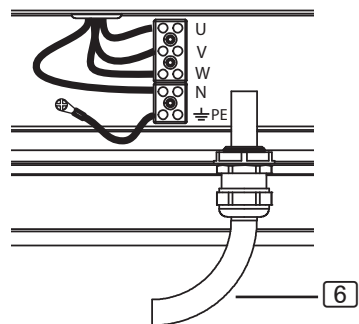
4.7. Elanslutning

1. Skruva loss skruvarna **3** och **4** med en skruvmejsel.
2. Skruva loss skruvarna **1** och **5** med en skruvmejsel.
3. Ta bort täckplåten **2**.



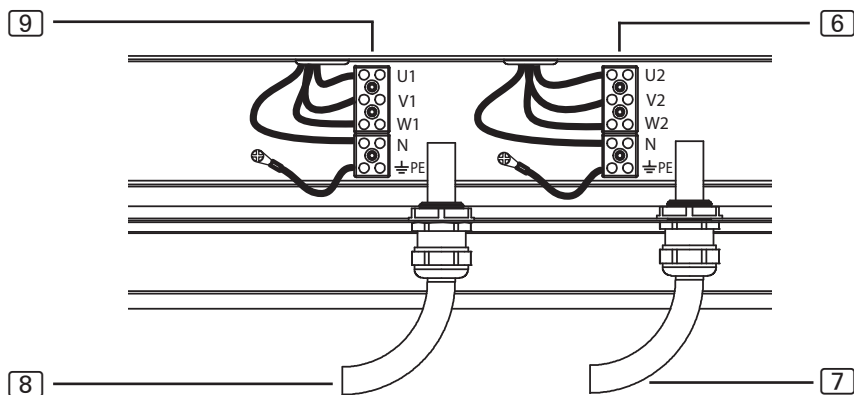
Anslutning Concept R 9 kW och 10,5 kW (CP-RB-090/CP-RB-105)

1. Dra anslutningskabeln genom genomföringen **6**.
2. Anslut anslutningskabelns ledare till anslutningarna U – V – W – N – PE på bastuaggregatet och till passande anslutningar på styrenheten. Läs installationsanvisningarna för styrenheten.
3. Montera täckplåten **2** på bastuaggregatet igen.



Anslutning Concept R 12 kW och 15 kW (CP-RB-120/CP-RB-150)

1. Dra styrenhetens anslutningskabel genom genomföringen [8].
2. Anslut den här anslutningskabelns ledare till anslutningarna U1 – V1 – W1 – N – PE på anslutningslisten [9] och till passande anslutningar på styrenheten. Läs installationsanvisningarna för styrenheten.
3. Dra effektförstärkarens kabel genom genomföringen [7].
4. Anslut den här anslutningskabelns ledare till anslutningarna U2 – V2 – W2 – N – PE på anslutningslisten [6] och till passande anslutningar på effektförstärkaren. Läs installationsanvisningarna för effektförstärkaren.
5. Montera täckplåten [2] på bastuaggregatet igen.



- [6] Effektförstärkarens anslutningslist
- [7] Genomföring för effektförstärkarens kabel
- [8] Styrenhetens anslutningslist
- [9] Genomföring för styrenhetens anslutningskabel

5. Driftstart

5.1. Fylla på stenkorgen

**WARNING!*****Brandrisk på grund av överhettning***

Om bastuaggregatet används utan bastustenar blir bastuns väggar mycket varma. Detta kan orsaka eldsvåda.

- Använd INTE bastuaggregatet utan bastustenar.
-

Passande mängd stenar för resp. effekt anges i kapitel **10. Tekniska data** (se sidan **25**).

1. Rengör först bastustenarna noga med vatten och en borste. Använd inga rengöringsmedel.
2. Kontrollera om det finns främmande partiklar på stenarna och ta bort alla förpackningsrester innan de läggs in i bastuaggregatet.
3. Lägg bastustenarna i stenkorgen. Lägg i bastustenarna löst på varandra så att luften kan cirkulera mellan dem.
4. Se till att stenarna inte sticker ut ovanför stenkorgens kant.

5.2. Den första uppvärmningen

**AKTA!*****Rök- och luktutveckling vid den första uppvärmningen***

På nya värmestavar finns det rester från tillverkningsprocessen. Dessa bryts ner när bastuaggregatet värms upp för första gången. När detta sker bildas det rök och en obehaglig lukt. Inandning av röken och ångorna utgör en hälsofara.

Följ nedanstående anvisningar när du använder bastuaggregatet **för första gången** och när **värmestavarna i bastuaggregatet har bytts ut**. På det här sättet kan du undvika skadliga effekter av ångorna och röken som bildas vid den första uppvärmningen.

1. Välj den högsta möjliga temperaturen på styrenheten till bastun.
2. Värm upp bastuaggregatet under en halvtimme.
Vistas INTE i basturummet under denna tid.
3. Vädra bastun ordentligt efter den första uppvärmningen.

4. Om ingen rök eller lukt uppstår vid nästa uppvärmning kan du börja använda bastun.

Om rök eller lukt uppstår, lämna omedelbart basturummet, upprepa den första uppvärmningen och vädra därefter bastun igen.

6. Användning

**VARNING!****Brandrisk!**

Brännbara föremål som ligger på det varma bastuaggregatet kan antändas och orsaka eldsvåda.

- Lägg ALDRIG brännbara föremål på bastuaggregatet.
- Kontrollera att det INTE finns några brännbara föremål på bastuaggregatet innan bastuaggregat sätts igång.

6.1. Användning

Bastuaggregatet styrs via en styrenhet. Användningen av styrenheten beskrivs i tillhörande bruksanvisning. Observera att bastuaggregatet Concept R endast är avsett för styrenheter utan fjärrstartfunktion.



Med en anordning för säkerhetsavstängning (CP-R-SWL, tillval) kan bastuaggregatet Concept R även användas tillsammans med styrenheter MED fjärrstartfunktion.

6.2. Hälla vatten på stenarna

Man kan avsluta bastubadet med att hälla vatten på stenarna. Häll vatten på bastustenarna med en bastuskopa. Vattnet förångas och luften blir fuktigare i bastun.

Observera följande:

- Använd endast kranvatten. Saltvatten, starkt kalkhaltigt eller klorerat vatten kan leda till skador på bastuaggregatet.
- Använd endast doftämnen eller eteriska oljor som uttryckligen är avsedda för användning i bastu. Observera anvisningarna och uppgifterna på resp. förpackning.
- Häll inte vattnet för snabbt över bastustenarna. Om det hälls för snabbt över stenarna förångas det inte riktigt.

7. Underhåll

7.1. Längre användningsuppehåll

Fuktiga omgivningar och långa användningsuppehåll leder till att fukt adsorberas i värmestavarna. Detta är ett fysikaliskt förlopp och inget tillverkningsfel. Fukten i värmestavarna kan leda till att FI-skyddsbrytaren löser ut. Låt i sådana fall en elektriker åtgärda felet (se kapitel 9. **Felavhjälpning utförd av installatören**).



Värm upp bastuaggregatet i ca 15 minuter var 5:e till var 6:e vecka. På så sätt förhindrar man att fukt adsorberas i värmestavarna under längre användningsuppehåll.

7.2. Rengöring av bastuaggregatet

Se till att det inte samlas ludd eller damm i ventilationsöppningarna. På så sätt förhindrar man att luftcirkulationen försämras i bastuaggregatet. Försämrade luftcirkulation kan leda till överhettning.

7.3. Byta bastustenar

Bastustenarna påverkas både av vätskan och av de stora temperaturskillnaderna som uppstår under användningen. De kan bli anfräta och spröda.

Kontrollera bastustenarna regelbundet och byt ut dem minst en gång om året.



VARNING!

Brandrisk på grund av överhettning

Om bastuaggregatet används utan bastustenar blir bastuns väggar mycket varma. Detta kan orsaka eldsvåda.

- Använd INTE bastuaggregatet utan bastustenar.

1. Ta bort de gamla bastustenarna.
2. Avlägsna kalkavlagringar, damm och andra föroreningar från stenkorgen.
3. Rengör först bastustenarna noga med vatten och en borste. Använd inga rengöringsmedel.
4. Kontrollera om det finns främmande partiklar på stenarna och ta bort alla förpackningsrester innan de läggs in i bastuaggregatet.
5. Lägg bastustenarna i stenkorgen. Lägg i bastustenarna löst på varandra så att luften kan cirkulera mellan dem.
6. Se till att stenarna inte sticker ut ovanför stenkorgens kant.

8. Avfallshantering



- Ta hand om förpackningsmaterialet enligt gällande bestämmelser.
- Enheterna innehåller både återanvändbart material och skadliga ämnen. Släng inte en uttjänt produkt i hushållssoporna, utan lämna den till återvinning enligt gällande bestämmelser.

9. Felavhjälpning utförd av installatören

Uppvärmning och torkning av värmestavarna

Fuktiga omgivningar och långa användningsuppehåll kan leda till att fukt adsorberas i värmestavarna. Detta är ett fysikaliskt förlopp och inget tillverkningsfel. Fukten i värmestavarna kan i vissa fall leda till att FI-skyddsbrytaren löser ut.

I sådana fall ska bastuaggregatet värmas upp för torkning under uppsikt av en elektriker. FI-skyddsbrytarens skyddsfunktion ska då tas ur funktion. Uppvärmningen/torkningen tar ca 10 minuter. Därefter ska FI-skyddsbrytarens skyddsfunktion återställas igen.

Kontakta leverantören/återförsäljaren om problemet kvarstår efter detta.

10. Tekniska data

Måtten för de olika modellerna anges på **Bild 6** och **Bild 7** på sidan **26**.

Artikel-nummer	Effekt [kW]	Basturummets volym [m ³]	Ventilationsöppningens min. storlek [mm]	Vikt utan stenar [kg]
CP-RB-090	9,0	9–14	350 x 50	34
CP-RB-105	10,5	10–15	350 x 60	34
CP-RB-120	12,0	14–18	350 x 70	40
CP-RB-150	15,0	18–25	350 x 90	40

Artikel-nummer	Stenmängd [kg]	Säkring [A]	Matningsspänning
CP-RB-090	ca 25	3 x 16	400 V AC 3N~ 50/60 Hz 230 V AC 1N~ 50/60 Hz
CP-RB-105	ca 25	3 x 16	400 V AC 3N~ 50/60 Hz 230 V AC 1N~ 50/60 Hz
CP-RB-120	ca 35	3 x 16/3 x 10	400 V AC 3N~ 50/60 Hz
CP-RB-150	ca 35	3 x 16/3 x 10	400 V AC 3N~ 50/60 Hz

Artikel-nummer	Värmestavar
CP-RB-090	6 x SCA150 (1-028-518)
CP-RB-105	3 x SCA150 (1-028-518)/3 x SCA200 (1-028-503)
CP-RB-120	6 x SCA150 (1-028-518)/3 x CPRM115 (1-043-621)
CP-RB-150	6 x SCA150 (1-028-518)/3 x SCA200 (1-028-503)

Bild 6 Mått Concept R 9 kW och 10,5 kW
(CP-RB-090/CP-RB-105)
mått i mm

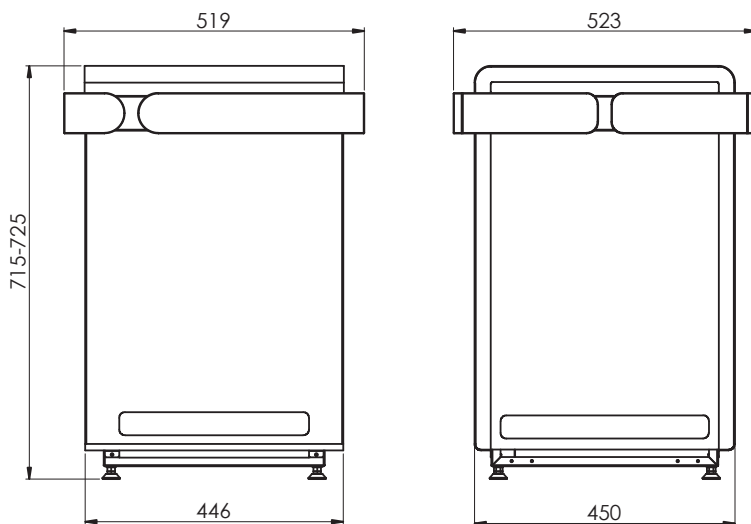
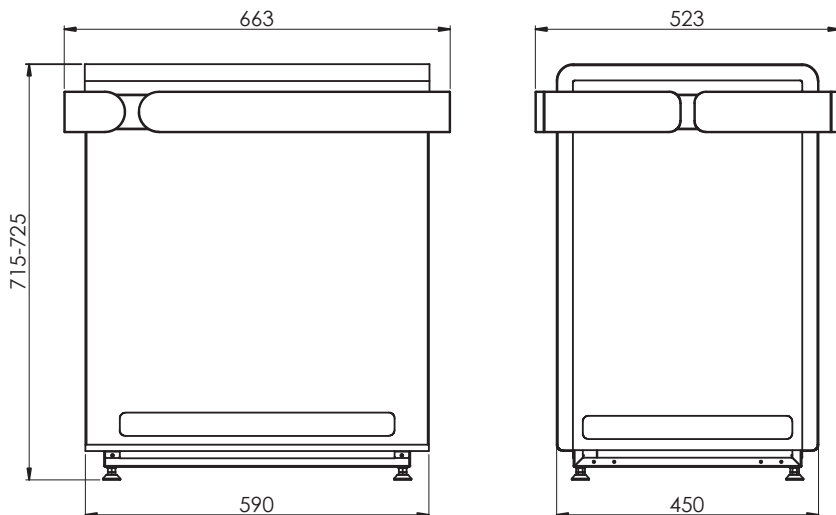


Bild 7 Mått Concept R 12 kW och 15 kW
(CP-RB-120/CP-RB-150)
mått i mm



Saunová kamna

Concept R black

CP-RB-090 / 1-027-768: Concept R 9,0 kW black

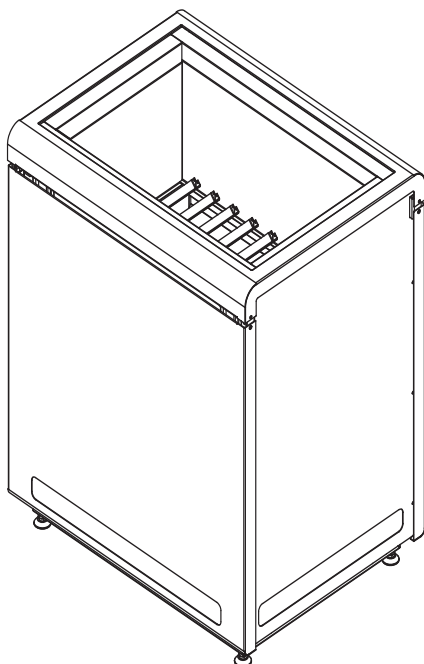
CP-RB-105 / 1-027-769: Concept R 10,5 kW black

CP-RB-120 / 1-027-770: Concept R 12,0 kW black

CP-RB-150 / 1-027-771: Concept R 15,0 kW black

NÁVOD K MONTÁŽI A POUŽITÍ

česky



CS

Obsah

1. O tomto návodu	4
2. Důležité pokyny pro vaši bezpečnost	5
2.1. Použití v souladu s určením	5
2.2. Bezpečnostní informace pro montéra	5
2.3. Bezpečnostní informace pro uživatele	7
3. Popis výrobku	8
3.1. Rozsah dodávky	8
3.2. Příslušenství	8
3.3. Funkce výrobku	8
4. Montáž a připojení	9
4.1. Místo instalace a poloha čidla	9
4.2. Bezpečnostní vzdálenosti	10
4.3. Nastavení výšky	11
4.4. Schéma zapojení pro 400 V 3 N~	12
4.5. Schéma zapojení 230 V 1 N~	14
4.6. Schémata zapojení	15
4.7. Elektrické připojení	17
5. Uvedení do provozu	19
5.1. Plnění koše na kameny	19
5.2. První nahřívání	20
6. Obsluha	21
6.1. Obsluha saunových kamen	21
6.2. Polévání	21

7. Údržba	22
7.1. Delší přestávky v provozu.....	22
7.2. Čistění saunových kamen.....	22
7.3. Výměna saunových kamenů.....	22
8. Likvidace	23
9. Řešení problémů montérem	24
10. Technické údaje	25

1. O tomto návodu

Tento návod k montáži a použití si důkladně přečtěte a uložte ho v blízkosti sauny. Tak si můžete vždy dodatečně přečíst informace o bezpečnosti a obsluze.



Tento návod k montáži a použití naleznete také v sekci ke stažení na našem webu na adrese www.sentiotec.com/downloads.

Symboly ve výstražných pokynech

V tomto návodu k montáži a použití je text o činnostech, z nichž vyplývá určité riziko, uvozen výstražným pokynem. Tyto výstražné pokyny bezpodmínečně dodržujte. Zabráníte tak věcným škodám a poraněním, která mohou být v nejhorším případě dokonce smrtelná.

Ve výstražných pokynech jsou použita signální slova, která mají následující význam:



NEBEZPEČÍ!

Pokud tento výstražný pokyn nebude dodržen, bude to mít za následek smrt nebo vážná zranění.



VÝSTRAHA!

Pokud tento výstražný pokyn nebude dodržen, může to mít za následek smrt nebo vážná zranění.



OPATRNĚ!

Pokud tento výstražný pokyn nebude dodržen, může to mít za následek lehká zranění.

POZOR!

Tento signální symbol upozorňuje na věcné škody.

Jiné symboly



Tento symbol označuje tipy a užitečné pokyny.



Nezakrývat!



Pročtěte si návod k obsluze

2. Důležité pokyny pro vaši bezpečnost

Saunová kamna Concept R byla vyrobena podle uznávaných bezpečnostně-technických pravidel. Při jejich používání však mohou přesto vznikat určitá rizika. Dodržujte proto následující bezpečnostní pokyny a zvláštní výstražné pokyny uvedené v jednotlivých kapitolách.

2.1. Použití v souladu s určením

Saunová kamna Concept R smíte používat pouze k vyhřívání saunových kabin v kombinaci s řídicí jednotkou sauny bez funkce dálkového zapínání.

Saunová kamna Concept R lze pouze v kombinaci s volitelně dostupným bezpečnostním vypnutím (CP-R-SWL) provozovat také s řídicí jednotkou sauny, která je vybavena funkcí dálkového zapínání.

Saunová kamna Concept R lze pouze v kombinaci s volitelně dostupným bezpečnostním vypnutím (CP-R-SWL) provozovat také ve veřejných saunách.

Jakékoli jiné použití nad tento rámec se považuje za použití v rozporu s určením. Použití v rozporu s určením může vést k poškození výrobku, vážným zraněním nebo smrti.

2.2. Bezpečnostní informace pro montéra

- Montáž a připojení saunových kamen se smí provádět pouze ve stavu odpojení od napětí.
- Montáž smí provádět pouze kvalifikovaný elektrikář nebo jiná, srovnatelným způsobem kvalifikovaná osoba.
- V místě instalace musí být instalován odpojovač s odpojením všech pólů v úplným vypnutím v souladu s přepětovou kategorií III.

- K připojení saunových kamen používejte výlučně silikonová vedení odolná vůči teplotě do 150 °C.
- V kabině instalujte pouze jedna saunová kamna. Saunová kamna Concept R se nesmí v saunové kabině používat společně s jinými saunovými kamny.
- Stropy a stěny saunové kabiny smí být vyrobeny z neopracovaných nebo tepelně opracovaných druhů dřeva s nízkým obsahem pryskyřice, např. severský smrk, jedlovec, borovice nebo jedle nebo z vrstvených dřevěných materiálů. Při použití vrstvených dřevěných materiálů je nutné dbát na to, aby jejich lepidla neobsahovala formaldehyd. Pokud budou v saunové kabině použity jiné materiály než dřevo, musejí být odolné vůči teplu a korozi a nesmí mít žádné negativní účinky na zdraví osob v sauně.
- Výška saunové kabiny musí činit minimálně 2,0 m.
- Dodržujte požadavky na objem saunové kabiny a její větrání uvedené v kapitole **10. Technické údaje**.
- Při instalaci saunových kamen dodržujte minimální bezpečnostní vzdálenosti (viz kapitola **4.2. Bezpečnostní vzdálenosti**).
- Dodržujte také místní předpisy v místě instalace.
- V případě problémů, které nejsou dostatečně podrobně řešeny v návodu k montáži, se v zájmu vlastní bezpečnosti obraťte na svého dodavatele.

2.3. Bezpečnostní informace pro uživatele

- Zařízení nesmí používat děti do 8 let věku.
- Zařízení smí používat děti ve věku nad 8 let, osoby s omezenými fyzickými, smyslovými nebo duševními schopnostmi a osoby s nedostatečnými zkušenostmi a znalosti za následujících podmínek:
 - pokud jsou pod dozorem.
 - pokud jim bylo správné používání předvedeno a rozumějí rizikům, která mohou vzniknout.
- Děti si se zařízením nesmí hrát.
- Děti mladší 14 let smí zařízení čistit, pouze pokud jsou pod dozorem.
- Saunování není ze zdravotních důvodů vhodné pro osoby pod vlivem alkoholu, léků nebo drog.
- Saunová kamna nikdy neuvádějte do provozu bez saunových kamenů, mohlo by to způsobit požár.
- Před zapnutím řídicí jednotky sauny se ujistěte, že na saunových kamnech neleží žádné hořlavé předměty.
- **PŘED** prvním saunováním saunová kamna na půl hodiny roze-hřejte. Během této doby se **NEZDRŽUJTE** v saunové kabině. Následně saunovou kabinu dobře vyvětrejte (viz **5.2. První nahřívání** na straně **20**).
- Saunových kamen se během provozu nedotýkejte. Povrch saunových kamen a saunové kameny se zahřívají na vysoké teploty.
- V případě problémů, které nejsou dostatečně podrobně řešeny v návodu k použití, se v zájmu vlastní bezpečnosti obraťte na svého dodavatele.

3. Popis výrobku

3.1. Rozsah dodávky

- Saunová kamna
- Návod k montáži a použití

3.2. Příslušenství

<i>Příslušenství</i>	<i>Číslo položky</i>
Bezpečnostní vypnutí	CP-R-SWL
Sada držáků na obrubovou lištu kamen	CP-R-HSR
Dřevěná obrubová lišta malá LÍPA (9–10,5 kW)	CP-R-L1
Dřevěná obrubová lišta velká LÍPA (12–15 kW)	CP-R-L2
Dřevěná obrubová lišta malá VLAŠSKÝ OŘECH (9–10,5 kW)	CP-R-N1
Dřevěná obrubová lišta velká VLAŠSKÝ OŘECH (12–15 kW)	CP-R-N2
Set obrubová lišta malá LÍPA (9–10,5 kW)	CPR-EMO-L1
Set obrubová lišta velká LÍPA (12–15 kW)	CPR-EMO-L2
Set obrubová lišta malá VLAŠSKÝ OŘECH (9–10,5 kW)	CPR-EMO-N1
Set obrubová lišta velká VLAŠSKÝ OŘECH (12–15 kW)	CPR-EMO-N2
Přídavný výkonový modul	O-S2-18 / O-S2-18S / O-S2-30

3.3. Funkce výrobku

Saunová kamna Concept R jsou finská saunová kamna a umožňují vytváření klimatu typického ve finské sauně při teplotě 80 až 100 °C a vlhkosti vzduchu asi 10 %.

4. Montáž a připojení

Při instalaci a připojení saunových kamen zohledněte následující body:



VÝSTRAHA!

Nebezpečí úrazu elektrickým proudem

- Montáž a připojení saunových kamen provádějte pouze ve stavu bez napětí.

- Elektrické připojení smí provádět pouze kvalifikovaný elektrikář nebo srovnatelným způsobem kvalifikovaná osoba.
- V místě instalace musí být instalován odpojovač s odpojením všech pólů s úplným vypnutím v souladu s přepěťovou kategorií III.
- Saunová kamna Concept R jsou volně stojící kamna. Upevnění k podlaze nebo na stěnu sauny není nutné.
- Saunová kamna neumísťujte na podlahu ze snadno hořlavého materiálu (dřevo nebo plast). K vhodným podlahovým krytinám patří např. keramické dlaždice.

4.1. Místo instalace a poloha čidla

Kamna umístěte doprostřed před vstupní otvor vzduchu ve stěně kabiny. Přitom dodržujte bezpečnostní vzdálenosti od stěny kabiny uvedené na **Obr. 1** a **Obr. 2**.

Teplotní čidlo s pojistkou proti přehřátí namontujte na stěnu kabiny nad středem saunových kamen. Dodržujte vzdálenost od stropu kabiny 15 cm.

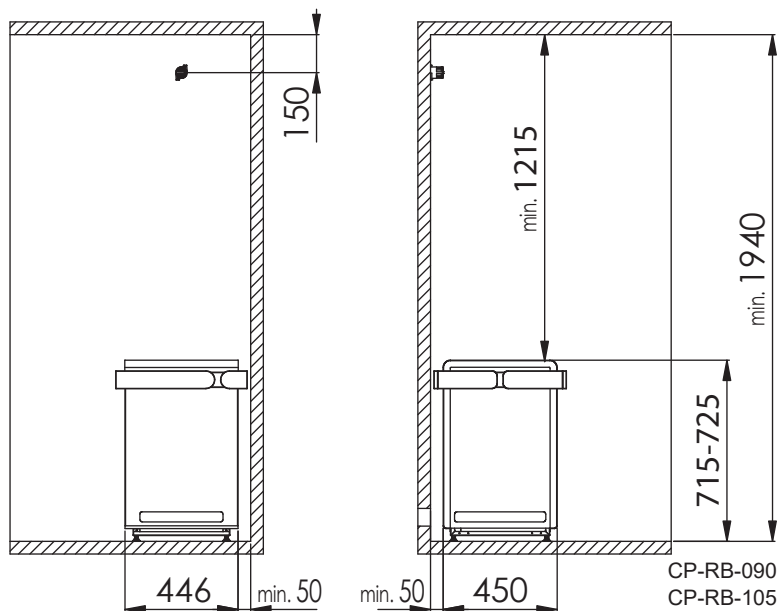


Pokud je zajištěno dostatečné větrání, lze saunová kamna Concept R instalovat také jako volně stojící. V takovém případě namontujte na strop kabiny nad střed kamen čidlo teploty.

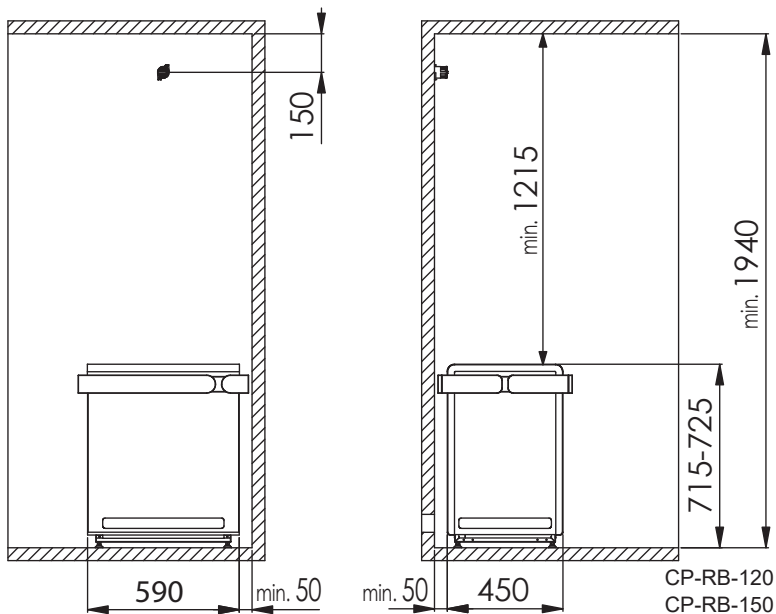
4.2. Bezpečnostní vzdálenosti

Dodržujte minimální bezpečnostní vzdálenosti uvedené na **Obr. 1** a **Obr. 2**.

Obr. 1 Bezpečnostní vzdálenosti pro model Concept R 9 kW a 10,5 kW (CP-RB-090 / CP-RB-105)
Rozměry v mm



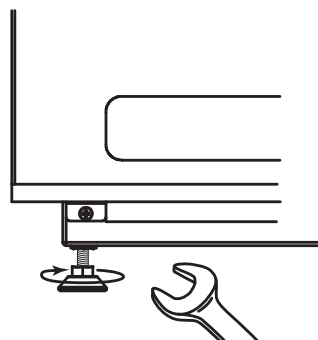
Obr. 2 Bezpečnostní vzdálenosti pro model Concept R 12 kW a 15 kW
(CP-RB-120 / CP-RB-150)
Rozměry v mm



4.3. Nastavení výšky

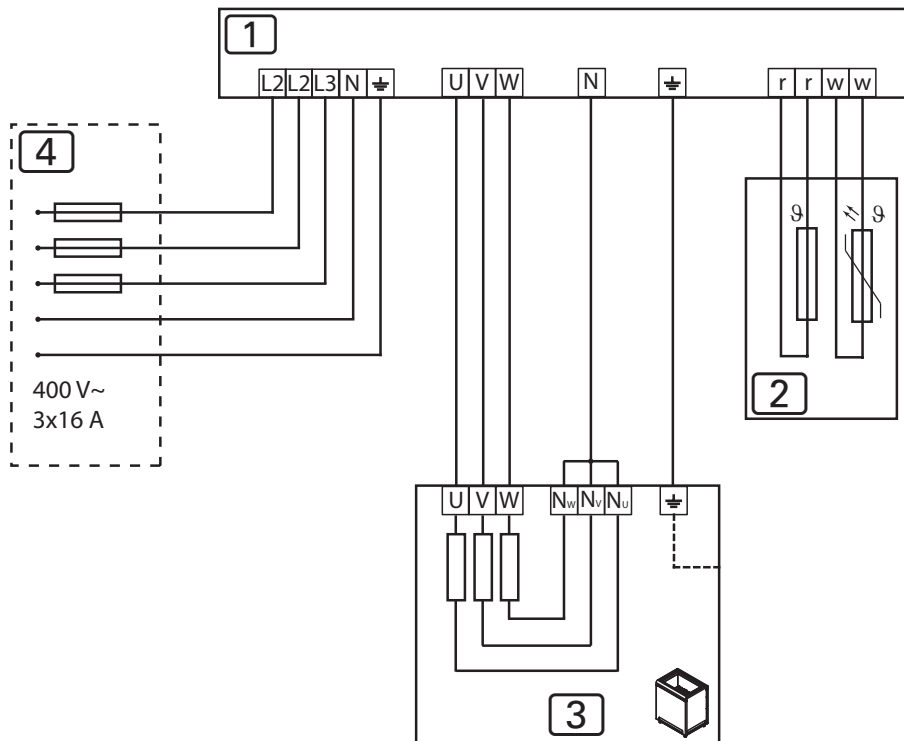
Saunová kamna Concept R jsou vybavena výškově nastavitelnými nožkami. Výšku saunových kamen lze nastavovat v rozmezí 715 mm až 725 mm. Protože výšku každé nožky lze nastavovat samostatně, je možné přizpůsobení nerovné podlaze.

1. Nožku saunových kamen povolte vidlicovým klíčem (13 mm).
2. Saunová kamna mírně zvedněte a výšku snižte otáčením nožky doprava. Výšku zvyšte otáčením nožky doleva.
3. Nožku opět utáhněte vidlicovým klíčem.



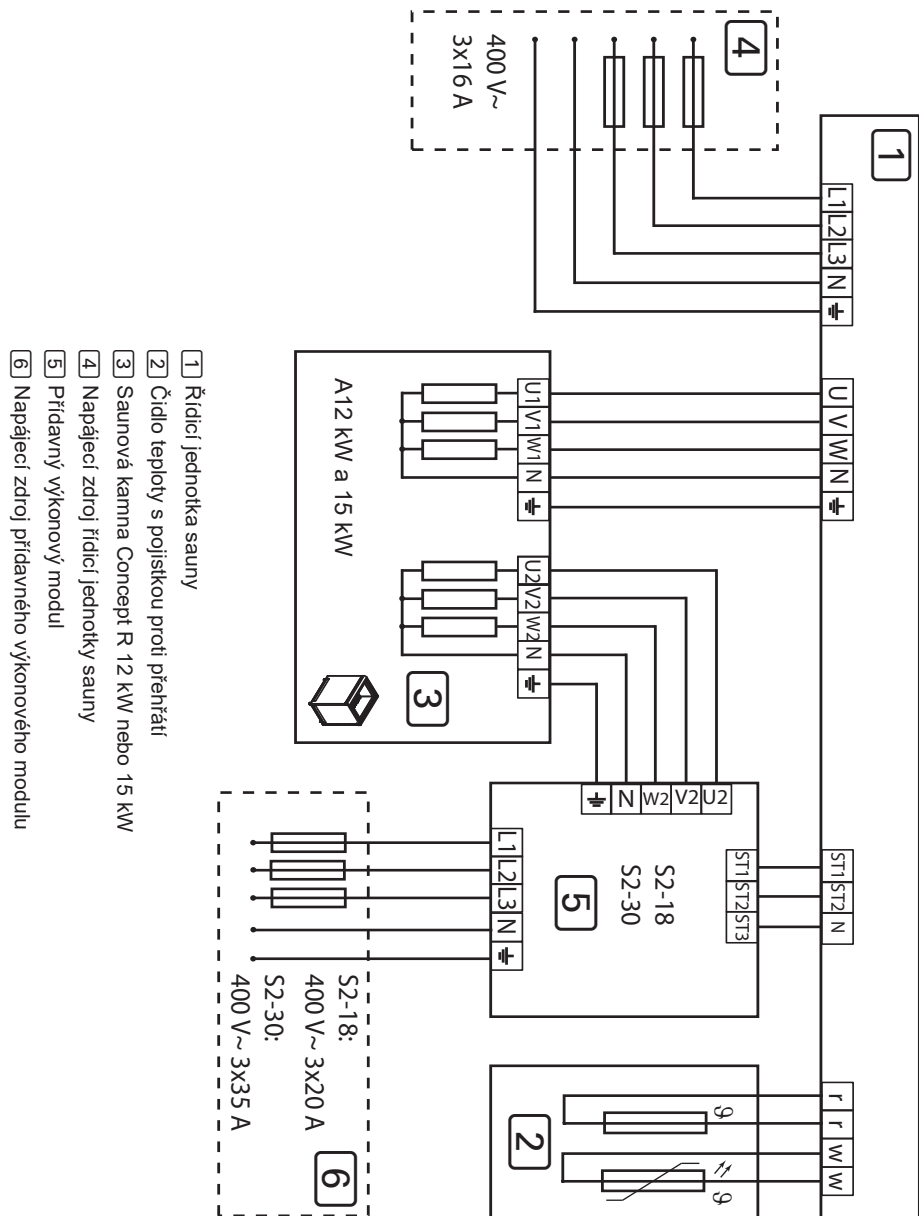
4.4. Schéma zapojení pro 400 V 3 N~

Obr. 3 Schéma zapojení Concept R 9 kW a 10,5 kW
(CP-RB-090 / CP-RB-105)



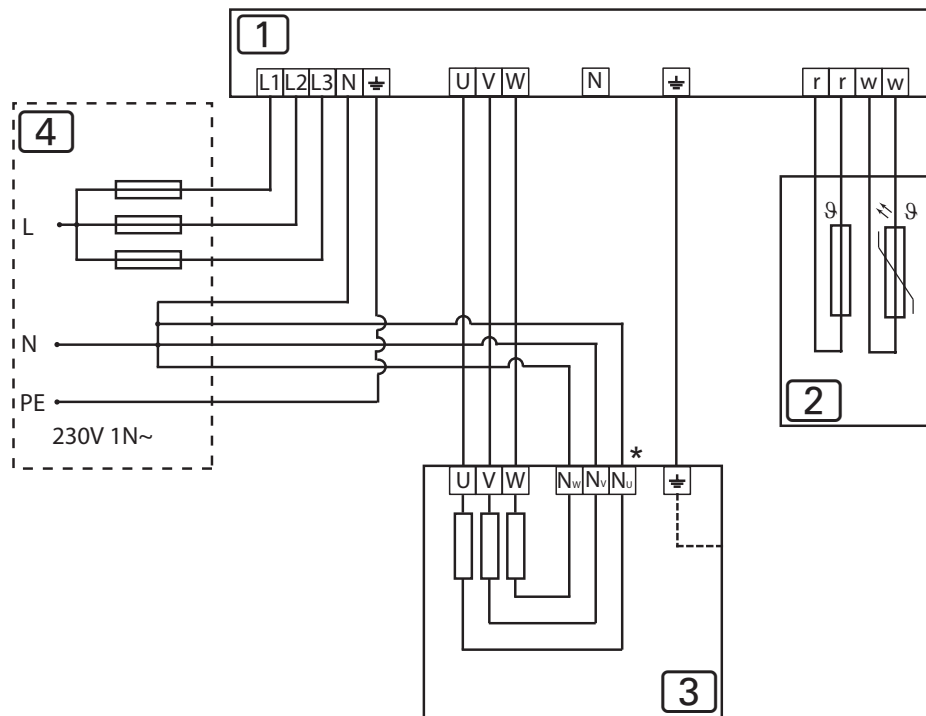
- 1 Řídicí jednotka sauny
- 2 Čidlo teploty s pojistkou proti přehřátí
- 3 Saunová kamna 9 kW nebo 10,5 kW
- 4 Napájecí zdroj

Obr. 4 Schéma zapojení Concept R 12 kW a 15 kW
(CP-RB-120 / CP-RB-150)



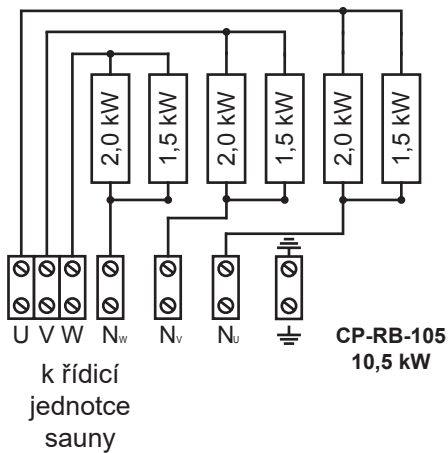
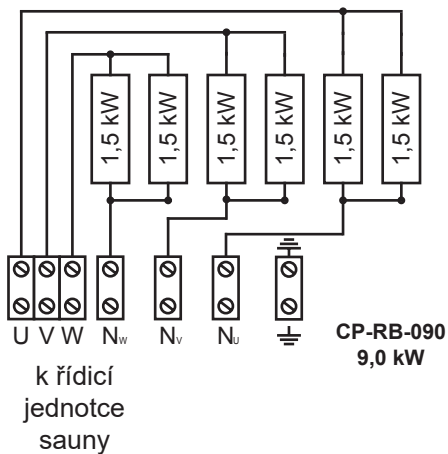
4.5. Schéma zapojení 230 V 1 N~

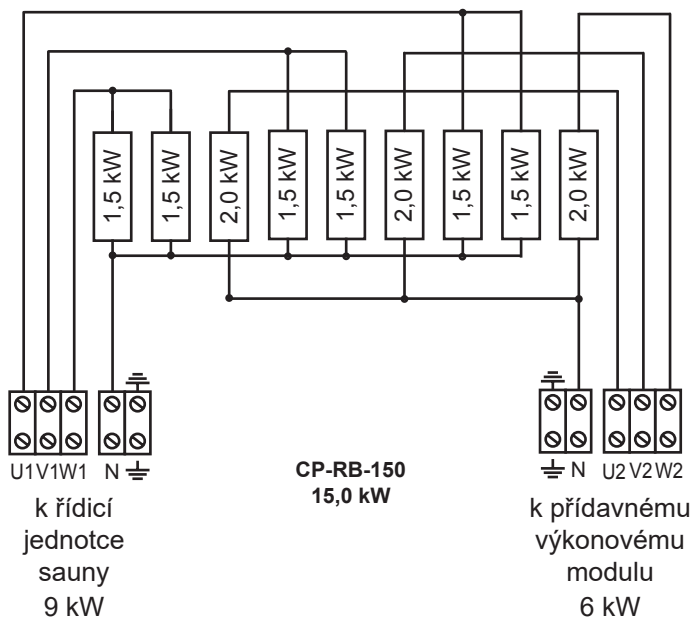
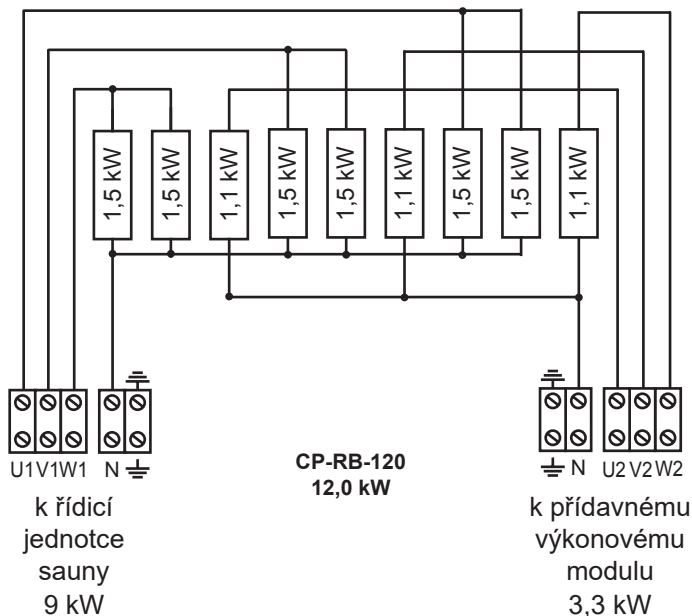
Obr. 5 Schéma zapojení Concept R 9 kW a 10,5 kW
(CP-RB-090 / CP-RB-105)



- 1 Řídicí jednotka sauny
- 2 Čidlo teploty s pojistkou proti přehřátí
- 3 Saunová kamna 9 kW nebo 10,5 kW
- 4 Napájecí zdroj
- * Odstraňte měděný můstek

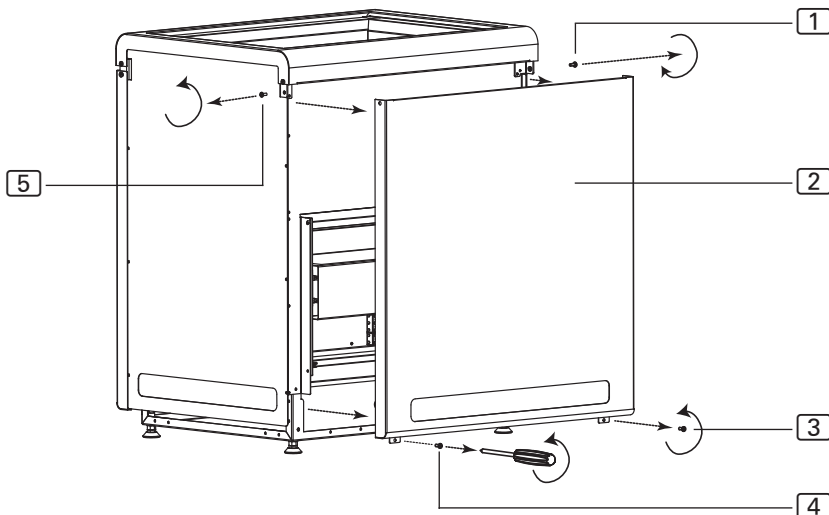
4.6. Schémata zapojení





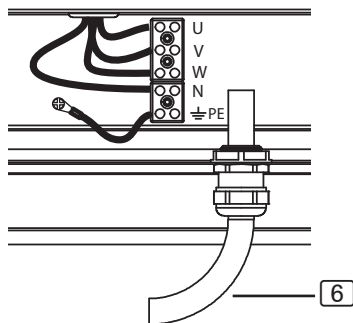
4.7. Elektrické připojení

1. Povolte šrouby [3] a [4] šroubovákem.
2. Povolte šrouby [1] a [5] šroubovákem.
3. Sejměte krycí plech [2].



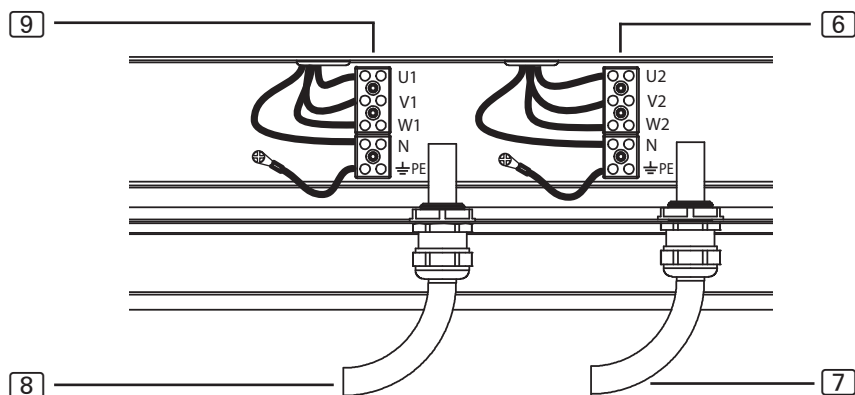
Připojení modelu Concept R 9 kW a 10,5 kW (CP-RB-090 / CP-RB-105)

1. Připojovací kabel provlečte průchodkou [6].
2. Vodiče připojovacího kabelu připojte ke svorkám U – V – W – N – PE saunových kamen a k odpovídajícím svorkám řídicí jednotky sauny. Přitom dodržte návod k montáži řídicí jednotky sauny.
3. Krycí plech [2] upevněte opět k saunovým kamnům.



Připojení modelu Concept R 12 kW a 15 kW (CP-RB-120 / CP-RB-150)

1. Připojovací kabel řídicí jednotky sauny provlečte průchodkou [8].
2. Vodiče připojovacího kabelu připojte ke svorkám U1 – V1 – W1 – N – PE na připojovací svorkovnici saunových kamen [9] a k odpovídajícím svorkám řídicí jednotky sauny. Přitom dodržte návod k montáži řídicí jednotky sauny.
3. Provlečte kabel přídatného výkonového modulu průchodkou [7].
4. Vodiče kabelu k přídatnému výkonovému modulu připojte ke svorkám U2 – V2 – W2 – N – PE na připojovací svorkovnici saunových kamen [6] a k odpovídajícím svorkám přídatného výkonového modulu. Přitom dodržte návod k montáži přídatného výkonového modulu.
5. Krycí plech [2] upevněte opět k saunovým kamnům.



- [6] Připojovací svorkovnice pro přídatný výkonový modul
- [7] Průchodka na kabel pro přídatný výkonový modul
- [8] Připojovací svorkovnice pro řídicí jednotku sauny
- [9] Průchodka na připojovací kabel k řídicí jednotce sauny

5. Uvedení do provozu

5.1. Plnění koše na kameny



VÝSTRAHA!

Riziko požáru přehřátím

Pokud se saunová kamna používají bez saunových kamenů, stěny kabiny se silně zahřívají. To může být příčinou požáru.

- Saunová kamna NIKDY neuvádějte do provozu bez saunových kamenů.

Množství kamenů vhodné pro výkon vašich kamen naleznete v kapitole

10. Technické údaje (viz strana **25**).

1. Saunové kameny před použitím důkladně očistěte kartáčem a omyjte vodou. Nepoužívejte žádné čisticí přísady.
2. Kameny před vložením do saunových kamen zkontrolujte, zda neobsahují cizí tělesa, a odstraňte zbytky obalů.
3. Vložte saunové kameny do nádoby na kameny. Saunové kameny naskládejte volně, aby meziprostorem mohl proudit vzduch.
4. Dbejte na to, aby saunové kameny nepřesahovaly přes okraj nádoby na kameny.

5.2. První nahřívání



OPATRNĚ!

Při prvním rozezhřívání vzniká kouř a je cítit zápach

Na nových topných tyčích jsou provozní látky z výrobního procesu. Ty se při prvním rozezhřívání saunových kamen rozkládají. Přitom vzniká kouř a nepříjemný zápach. Vdechování těchto výparů nebo kouře škodí vašemu zdraví.

Při **prvním zprovoznění** a při **výměně topných tyčí saunových kamen** proveďte následující kroky. Zabráníte tak ohrožení zdraví výpary a kouřem, které vznikají při prvním rozezhřívání.

1. Na řídicí jednotce sauny nastavte co nejvyšší teplotu.
2. Saunová kamna nahřívajte půl hodiny.
Během této doby se NEZDRŽUJTE v saunové kabině.
3. Po prvním rozezhřátí dobře vyvětrejte saunovou kabinu.
4. Pokud při dalším rozezhřátí nedochází ke vzniku kouře a pachu, můžete se začít saunovat.

Pokud se znovu uvolňuje kouř nebo zápach, okamžitě opusťte saunovou kabinu a opakujte rozezhřátí kamen se zapnutým ventilátorem.

6. Obsluha



VÝSTRAHA!

Riziko požáru

Hořlavé předměty položené na saunových kamnech se mohou vznítit a způsobit požár.

- Na saunová kamna NIKDY nepokládejte hořlavé předměty.
- Před uvedením saunových kamen do provozu se ujistěte, že na saunových kamnech neleží ŽÁDNÉ hořlavé předměty.

6.1. Obsluha saunových kamen

Obsluha saunových kamen probíhá přes řídicí jednotku sauny. Informace k obsluze řídicí jednotky sauny naleznete v návodu k obsluze používaného zařízení. Pamatujte, že saunová kamna Concept R jsou vhodná pouze pro řídicí jednotky sauny bez funkce dálkového zapínání.



S bezpečnostním vypínáním (CP-R-SWL), které je součástí variantního příslušenství, jsou saunová kamna Concept R vhodná také pro řídicí jednotky saun S funkcí dálkového zapínání.

6.2. Polévání

Na konci saunování lze provést polévání. Saunové kameny polijte pomocí saunové naběračky vodou. Tím se voda odpaří a zvýší se vlhkost vzduchu v saunové kabině.

Při polévání dodržujte následující body:

- K polévání používejte pouze vodu z kohoutku. Mořská voda, voda s vysokým obsahem vápníku a chlorovaná voda mohou saunová kamna poškodit.
- Používejte pouze vonné látky a éterické oleje, které jsou výslovně vhodné k použití jako polévací prostředek v saunách. Dodržujte údaje výrobce uvedené na obalu polévacího prostředku.
- Saunové kameny nepolévejte vodou příliš rychle. Pouze tak se voda k polévání zcela odpaří.

7. Údržba

7.1. Delší přestávky v provozu

Ve vlhkém prostředí nebo po dlouhých přestávkách v provozu se v topných tyčích hromadí vlhkost. Jedná se o fyzikální proces a není to žádná chyba výrobce. Vlhkost v topných tyčích může vést ke spuštění proudového chrániče. V tomto případě povolte k odstranění poruchy kvalifikovaného elektrikáře (viz kapitola **9. Řešení problémů montérem**).



Saunová kamna nahřívejte jednou za 5 až 6 týdnů asi na 15 minut. Tak zabráníte, aby se při delších přestávkách v provozu hromadila voda v topných tyčích.

7.2. Čistění saunových kamen

Dbejte na to, aby odvětrávací otvory byly zbaveny tkaniny a prachu. Tak zabráníte omezení cirkulace vzduchu v saunových kamnech a přehřátí zařízení.

7.3. Výměna saunových kamenů

Saunové kameny jsou namáhány polévacími prostředky a velkými rozdíly teplot, které se vyskytují při používání. Saunové kameny mohou být narušovány a mohou praskat.

Saunové kameny v pravidelných intervalech kontrolujte a alespoň jednou za rok je vyměňte.



VÝSTRAHA!

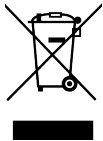
Riziko požáru přehřátím

Pokud se saunová kamna používají bez saunových kamenů, stěny kabiny se silně zahřívají. To může být příčinou požáru.

- Saunová kamna NIKDY neuvádějte do provozu bez saunových kamenů.

1. Staré saunové kameny odstraňte.
2. Z nádoby na kameny odstraňte zbytky vodního kamene, prachu a jiných nečistot.
3. Saunové kameny před použitím důkladně očistěte kartáčem a omyjte vodou. Nepoužívejte žádné čisticí přísady.
4. Kameny před vložením do saunových kamen zkontrolujte, zda neobsahují cizí tělesa, a odstraňte zbytky obalů.
5. Vložte saunové kameny do nádoby na kameny. Saunové kameny naskládejte volně, aby mezíprostorem mohl proudit vzduch.
6. Dbejte na to, aby saunové kameny nepřesahovaly přes okraj nádoby na kameny.

8. Likvidace



- Obalové materiály zlikvidujte podle směrnic platných pro likvidaci.
- Stará zařízení obsahují recyklovatelné materiály, ale i škodlivé látky. Stará zařízení proto v žádném případě neodkládejte do odpadu, ale zlikvidujte je podle místních platných předpisů.

9. Řešení problémů montérem

Vyhřívání topných tyčí

Ve vlhkém prostředí nebo po dlouhých přestávkách v provozu se v topných tyčích může hromadit vlhkost. Jedná se o fyzikální proces a není to žádná chyba výrobce. Vlhkost v topných tyčích může v určitých případech vést ke spuštění proudového chrániče.

V tomto případě je nutné vyhřívát saunová kamna pod dozorem kvalifikovaného elektrikáře. Přitom musí být deaktivována funkce proudového chrániče. Postup vyhřátí zabere asi 10 minut. Poté je nutné bezpečnostní funkci proudového chrániče obnovit.

Pokud bude problém trvat i nadále, obraťte se na svého dodavatele.

10. Technické údaje

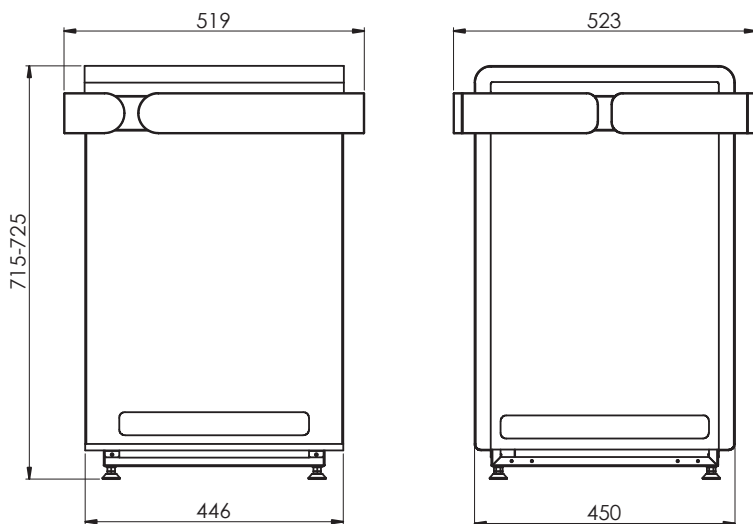
Rozměry různých výkonových variant naleznete na **Obr. 6** a **Obr. 7** na straně **26**.

Číslo položky	Výkon [kW]	Objem kabiny [m ³]	Minimální velikost odvětrávacího otvoru [mm]	Hmotnost bez kamenů [kg]
CP-RB-090	9,0	9–14	350 x 50	34
CP-RB-105	10,5	10–15	350 x 60	34
CP-RB-120	12,0	14–18	350 x 70	40
CP-RB-150	15,0	18–25	350 x 90	40

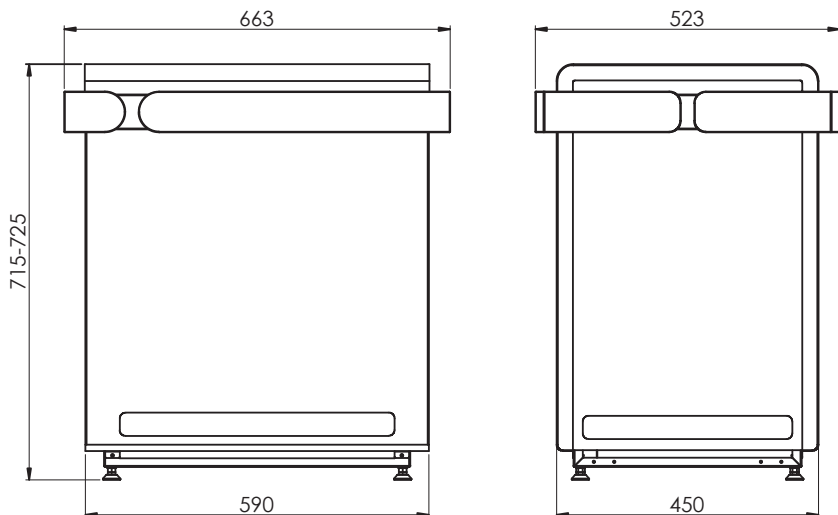
Číslo položky	Množství kamenů [kg]	Jištění [A]	Napájení
CP-RB-090	asi 25	3 x 16	400 V AC 3N~ 50/60 Hz 230 V AC 1N~ 50/60 Hz
CP-RB-105	asi 25	3 x 16	400 V AC 3N~ 50/60 Hz 230 V AC 1N~ 50/60 Hz
CP-RB-120	asi 35	3 x 16 / 3 x 10	400 V AC 3N~ 50/60 Hz
CP-RB-150	asi 35	3 x 16 / 3 x 10	400 V AC 3N~ 50/60 Hz

Číslo položky	Topné tyče
CP-RB-090	6 x SCA150 (1-028-518)
CP-RB-105	3 x SCA150 (1-028-518) / 3 x SCA200 (1-028-503)
CP-RB-120	6 x SCA150 (1-028-518) / 3 x CPRM115 (1-043-621)
CP-RB-150	6 x SCA150 (1-028-518) / 3 x SCA200 (1-028-503)

Obr. 6 Rozměry modelu Concept R 9 kW a 10,5 kW
(CP-RB-090 / CP-RB-105)
Rozměry v mm



Obr. 7 Rozměry modelu Concept R 12 kW a 15 kW
(CP-RB-120 / CP-RB-150)
Rozměry v mm



Peč za savno

Concept R black

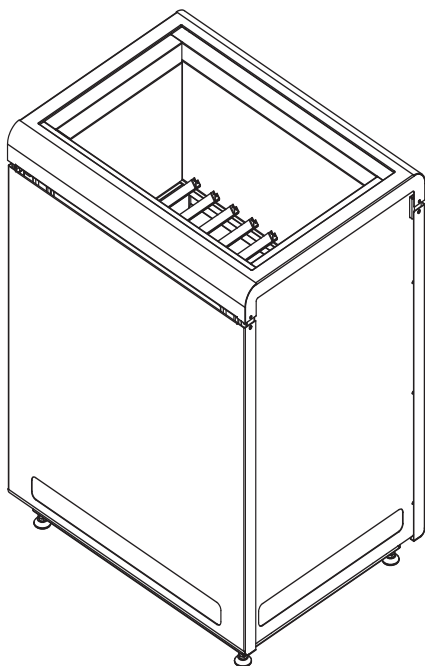
CP-RB-090 / 1-027-768: Concept R 9,0 kW black

CP-RB-105 / 1-027-769: Concept R 10,5 kW black

CP-RB-120 / 1-027-770: Concept R 12,0 kW black

CP-RB-150 / 1-027-771: Concept R 15,0 kW black

NAVODILA ZA MONTAŽO IN UPORABO slovenščina



SL

Kazalo vsebine

1. K tem navodilom	4
2. Pomembni napotki za vašo varnost	5
2.1. Uporaba skladna z določili	5
2.2. Varnostni napotki za monterja	5
2.3. Varnostni napotki za uporabnika	7
3. Opis proizvoda	8
3.1. Dobavni obseg	8
3.2. Pribor	8
3.3. Funkcije proizvoda	8
4. Montaža in priključitev	9
4.1. Postavitveno mesto in položaj tipala	9
4.2. Varnostni razmiki	10
4.3. Nastavitev višine	11
4.4. Priključitveni načrt 400V 3N~	12
4.5. Priključitveni načrt 230V 1N~	14
4.6. Sheme priključitve in ožičenja	15
4.7. Električna priključitev	17
5. Zagon	19
5.1. Polnjenje posode za kamenje	19
5.2. Prvo zagrevanje	20
6. Upravljanje	21
6.1. Upravljanje peči za savno	21
6.2. Polivanje	21

7. Vzdrževanje	22
7.1. Daljši premori med obratovanji.....	22
7.2. Čiščenje peči za savno.....	22
7.3. Menjava kamenja za savno.....	22
8. Odstranjevanje	23
9. Reševanje problemov s strani monterja	24
10. Tehnični podatki	25

1. K tem navodilom

Navodila za montažo in uporabo skrbno preberite in jih shranite v bližini savne. Tako lahko v vsakem trenutku ponovno preberete informacije o vaši varnosti in o upravljanju.



Ta navodila za montažo in uporabo si lahko naložite z naše spletne strani www.sentiotec.com/downloads.

Simboli in opozorila

V teh navodilih za montažo in uporabo stoji pred dejanji, ki so nevarna, opozorilo. Brezpogojno sledite tem opozorilom. Tako preprečite materialno škodo in poškodbe, ki so lahko v najhujšem primeru celo smrtne.

V opozorilih so uporabljene signalne besede, ki imajo naslednji pomen:



NEVARNOST!

Če tega opozorila ne upoštevate, so posledica smrt ali težke poškodbe.



OPOZORILO!

Če tega opozorila ne upoštevate, so lahko posledica smrt ali težke poškodbe.



PREVIDNOST!

Če tega opozorila ne upoštevate, so lahko posledica lahke poškodbe.

POZOR!

Ta signalna beseda vas svari pred materialno škodo.

Drugi simboli



Ta simbol označuje nasvete in uporabna navodila.



Ne prekrivajte!



Preberite navodila za upravljanje

2. Pomembni napotki za vašo varnost

Peč za savno Concept R je zgrajena po priznanih varnostno tehničnih smernicah. Kljub temu pa lahko pri uporabi nastanejo nevarnosti. Zato sledite naslednjim varnostnim napotkom in posebnim opozorilom v posameznih poglavjih.

2.1. Uporaba skladna z določili

Peč za savno Concept R se sme uporabljati le za ogrevanje kabin savn v kombinaciji s krmiljenjem savne brez funkcije daljinskega zagona.

Le v kombinaciji z varnostnim izklopom (CP-R-SWL), ki ga prejmete kot opcijo, sme peč za savno Concept R obratovati tudi s krmiljenjem savne, ki ima na voljo funkcijo daljinskega zagona.

Le v kombinaciji z varnostnim izklopom (CP-R-SWL), ki ga prejmete kot opcijo, sme peč za savno Concept R obratovati tudi v javnih savnah.

Vsaka drugačna uporaba velja kot uporaba, ki ni skladna z določili. Z določili neskladna uporaba lahko povzroči poškodovanje proizvoda, težke poškodbe ali smrt.

2.2. Varnostni napotki za monterja

- Montažo in priključitvena dela na peči za savno se sme opraviti le v breznapetostnem stanju.
- Montažo sme opraviti le elektro strokovnjak ali kvalificirana oseba podobne stroke.
- Na mestu samem je potrebno predvideti ločilno napravo za vse pole s popolnim izklopom skladno s prenapetostno kategorijo III.

- Za priključitev peči za savno uporabite izključno silikonske vodnike, ki so obstojni do temperature 150 °C.
- V kabino inštalirajte le eno peč. Peči za savno Concept R se ne sme uporabiti v kabini skupaj z drugimi pečmi za savne.
- Stropi in stene kabine se izdelajo iz neobdelanega lesa, ki vsebuje malo smole ali iz termično obdelanega lesa, npr. nordijske smreke, čuge, bora ali jelke ali iz materialov iz lepljenih lesnih slojev. Pri uporabi materialov iz lepljenih lesnih slojev se mora paziti na to, da lepila ne oddajajo formaldehida. Če se v kabini savne uporabijo drugi materiali kot les, morajo biti ti odporni proti vročini in koroziji in ne smejo negativno učinkovati na zdravje ljudi v savni.
- Višina kabine savne mora biti najmanj 2,0 m.
- Upoštevajte zahteve glede volumna in zračenja kabine savne v poglavju **10. Tehnični podatki**.
- Pri postavitvi peči za savno upoštevajte minimalne varnostne razmike (glejte poglavje **4.2. Varnostni razmiki**).
- Upoštevajte tudi krajevna določila na postavitvenem mestu.
- Pri problemih, ki v navodilih za montažo niso dovolj izčrpno obdelani, se zaradi svoje lastne varnosti obrnite na svojega dobavitelja.

2.3. Varnostni napotki za uporabnika

- Naprave ne smejo uporabljati otroci mlajši od 8 let.
- Napravo smejo uporabljati otroci starejši od 8 let, osebe z zmanjšanimi psihičnimi, senzoričnimi ali mentalnimi sposobnostmi in osebe s pomanjkljivimi izkušnjami in vedenjem le pod naslednjimi pogoji:
 - če so pod nadzorom,
 - če jim je bila predstavljena varna uporaba in razumejo nevarnosti, ki bi lahko nastale.
- Otroci se z napravo ne smejo igrati.
- Otroci mlajši od 14 let smejo napravo čistiti le pod nadzorom.
- Če ste pod vplivom alkohola, zdravil ali drog, se kopeli v savni odpovejte iz zdravstvenih razlogov.
- Peč za savno nikoli ne sme obratovati brez kamenja za savno, ker bi to lahko povzročilo požare.
- Prepričajte se, da na peči za savno ne ležijo nobeni gorljivi predmeti, šele nato lahko vklopite krmiljenje savne.
- PRED prvo kopeljo v savni zagrejte peč za savno za pol ure. V tem času se NE zadržujte v kabini savne. Nato kabino savne dobro prezračite (glejte **5.2. Prvo zagrevanje** na strani **20**).
- Me obratovanjem se nikoli ne dotikajte peči. Površina peči in kamenje za savno so zelo vroči.
- Pri problemih, ki v navodilih za uporabo niso dovolj izčrpno obdelani, se zaradi svoje lastne varnosti obrnite na svojega dobavitelja.

3. Opis proizvoda

3.1. Dobavni obseg

- Peč za savno
- Navodila za montažo in uporabo

3.2. Pribor

<i>Pribor</i>	<i>Štev. artikla</i>
Varnostni izklop	CP-R-SWL
Komplet držal za ograjo peči	CP-R-HSR
Ograja iz LIPOVEGA LESA mala (9 - 10,5 kW)	CP-R-L1
Ograja iz LIPOVEGA LESA velika (12 - 15 kW)	CP-R-L2
Ograja iz OREHOVEGA LESA mala (9 - 10,5 kW)	CP-R-N1
Ograja iz OREHOVEGA LESA velika (12 - 15 kW)	CP-R-N2
Emotion Set Ograja LIPOVEGA LESA mala (9 - 10,5 kW)	CPR-EMO-L1
Emotion Set Ograja LIPOVEGA LESA velika (12 - 15 kW)	CPR-EMO-L2
Emotion Set Ograja OREHOVEGA LESA mala (9 - 10,5 kW)	CPR-EMO-N1
Emoton Set Ograja OREHOVEGA LESA velika (12 - 15 kW)	CPR-EMO-N2
Povečanje moči	O-S2-18 / O-S2-18S / O-S2-30

3.3. Funkcije proizvoda

Peč za savno Concept R je finska peč za savno in omogoča ustvarjanje za finsko savno značilne klime 80 do 100 °C pri zračni vlagi pribl. 10 %.

4. Montaža in priključitev

Upoštevajte naslednje točke pri postavitvi in priključitvi peči za savno:



OPOZORILO!

Nevarnost udara električnega toka

- Montažo in priključitvena dela na peči za savno opravite le v breznapetostnem stanju.

-
- Električno priključitev sme opraviti le elektro strokovnjak ali kvalificirana oseba podobne stroke.
 - Na mestu samem je potrebno predvideti ločilno napravo za vse pole s popolnim izklopom skladno s prenapetostno kategorijo III.
 - Peč za savno Concept R je stoječa peč. Pritrditev v tla ali na steno savne ni potrebna.
 - Peči za savno ne postavite na tla iz lahke gorljivega materiala kot sta les ali umetna masa. Primerne talne obloge so npr. keramične ploščice.

4.1. Postavitveno mesto in položaj tipala

Peč postavite središčno pred vstopno odprtino za zrak v steni kabine. Pri tem upoštevajte varnostne razmike od stene kabine, ki so navedeni v **SI. 1** in **SI. 2**.

Tipalo temperature z varovalko pred previsoko temperaturo montirajte na steno kabine nad sredino peči. Razmik od stropa kabine mora biti 15 cm.

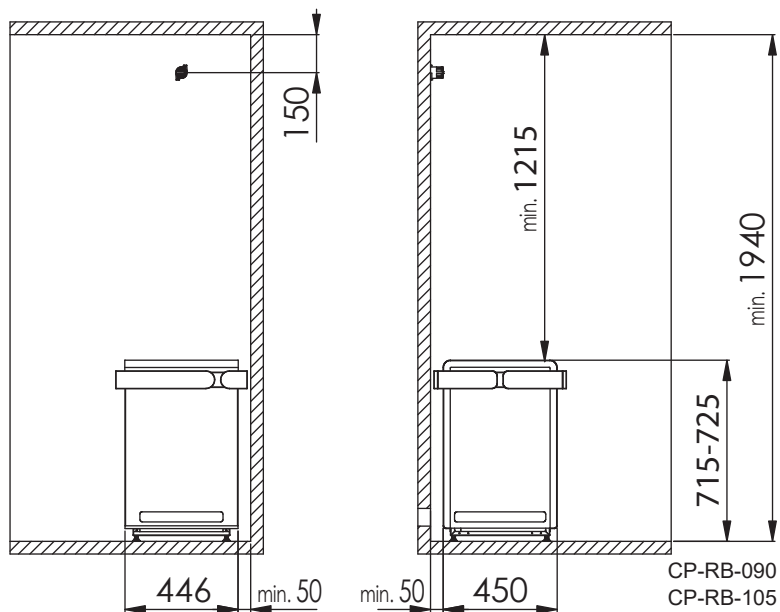


Če je poskrbljeno za zadostno zračenje, se lahko peč za savno Concept R postavi tudi prostostoječe. V tem primeru montirajte tipalo temperature na strop kabine nad sredino peči.

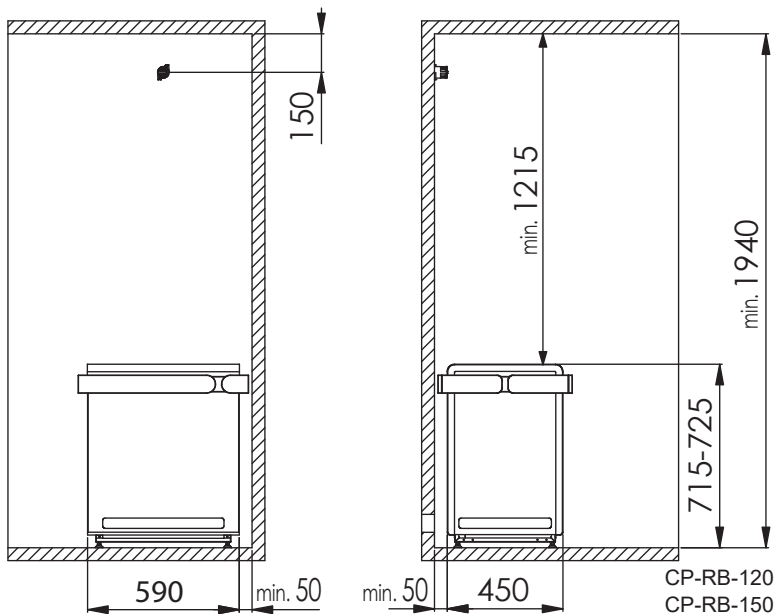
4.2. Varnostni razmiki

Upoštevajte minimalne varnostne razmike, ki so navedeni v **SI. 1** in **SI. 2**.

SI. 1 Varnostni razmiki Concept R 9 kW in 10,5 kW
(CP-RB-090 / CP-RB-105)
Dimenzije v mm



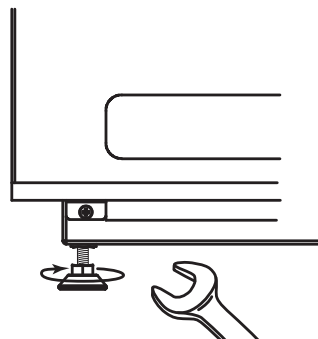
SI. 2 Varnostni razmiki Concept R 12 kW in 15 kW
(CP-RB-120 / CP-RB-150)
Dimenzije v mm



4.3. Nastavitev višine

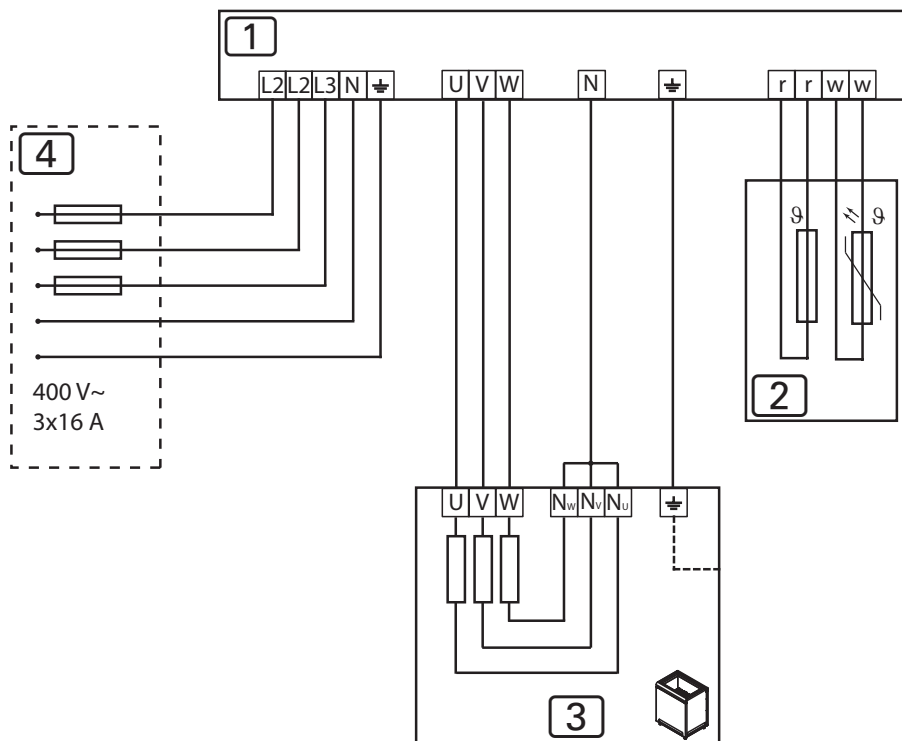
Peč za savno Concept R ima stojne noge, ki so nastavljive v višino. S temi se lahko višina peči nastavi od 715 mm do 725 mm. Ker se lahko višino vsake stojne noge nastavi individualno, je možna prilagoditev neravnim tlem.

1. Stojno nogo peči odvijte z viličastim ključem (13 mm).
2. Peč za savno rahlo dvignite in nogo zasukajte v desno. Tako znižate višino. Če jo zasukate v levo, višino zvišate.
3. Stojno nogo z viličastim ključem spet trdno privijte.



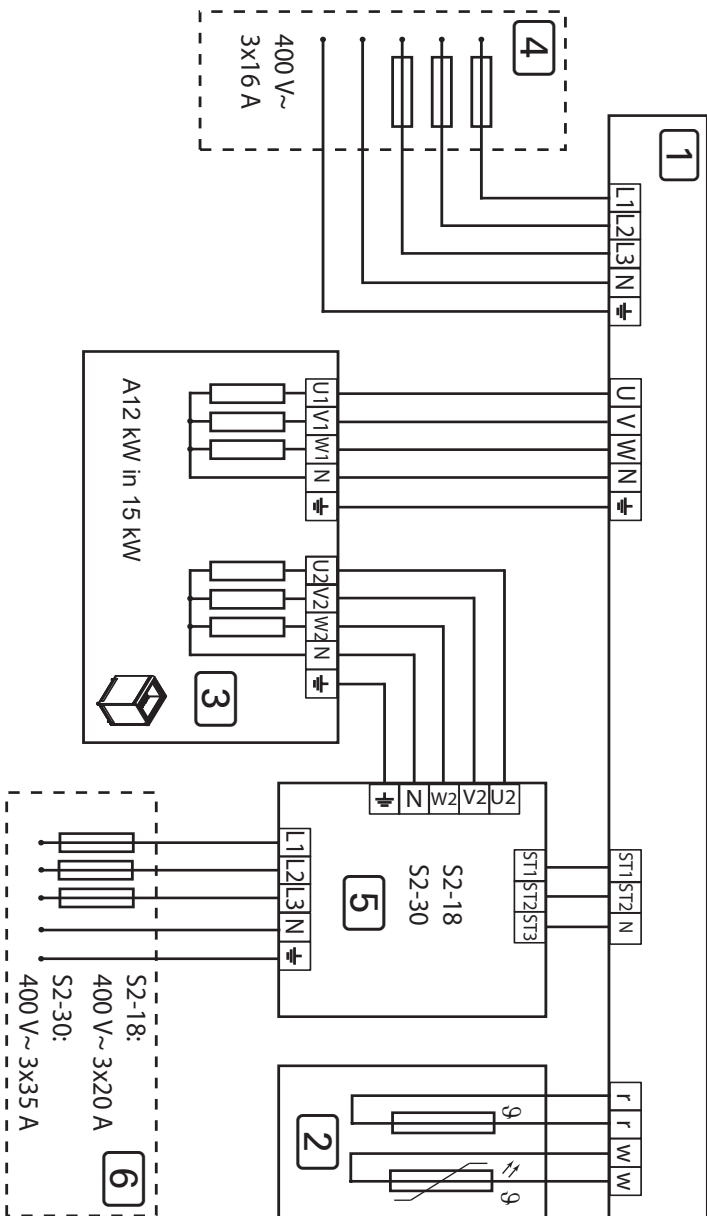
4.4. Priključitveni načrt 400V 3N~

SI. 3 Priključitveni načrt Concept R 9 kW in 10,5 kW
(CP-RB-090 / CP-RB-105)



- 1 krmiljenje savne
- 2 tipalo temperature z varovalko pred previsoko temperaturo
- 3 peč za savno 9 kW ali 10,5 kW
- 4 oskrba s tokom

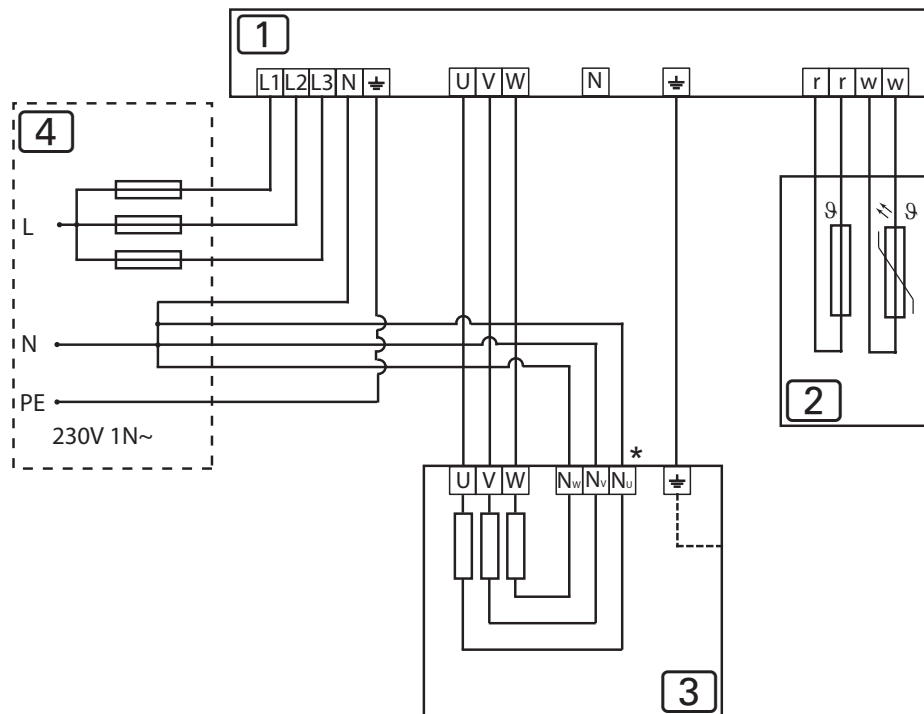
SI. 4 Priključitveni načrt Concept R 12 kW in 15 kW
(CP-RB-120 / CP-RB-150)



- 1 krmiljenje savne
- 2 tipalo temperature z varovalko pred previsoko temperaturo
- 3 peč za savno Concept R 12 kW ali 15 kW
- 4 oskrba s tokom krmiljenja savne
- 5 povečanje moči
- 6 oskrba s tokom povečanja moči

4.5. Priključitveni načrt 230V 1N~

SI. 5 Priključitveni načrt Concept R 9 kW in 10,5 kW
(CP-RB-090 / CP-RB-105)



1 krmiljenje savne

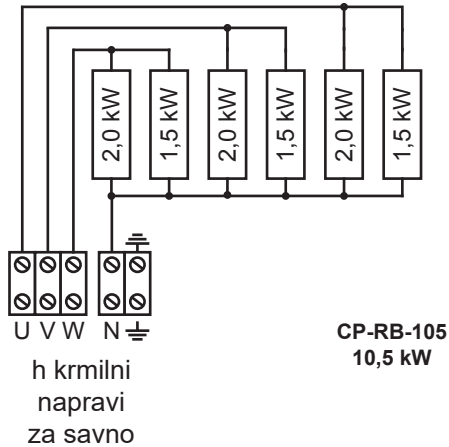
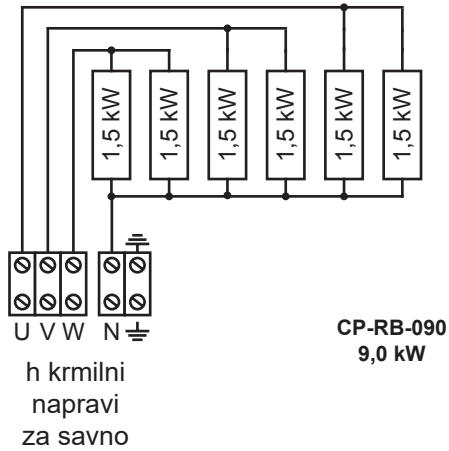
2 tipalo temperature z varovalko pred previsoko temperaturo

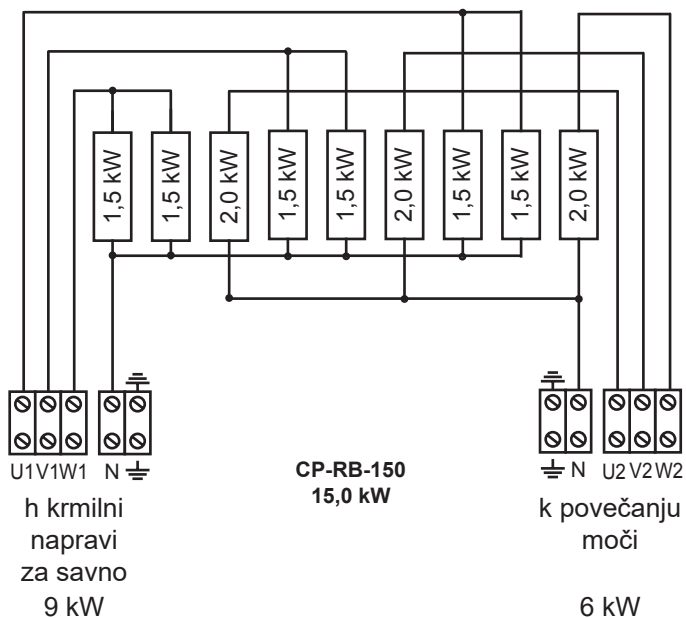
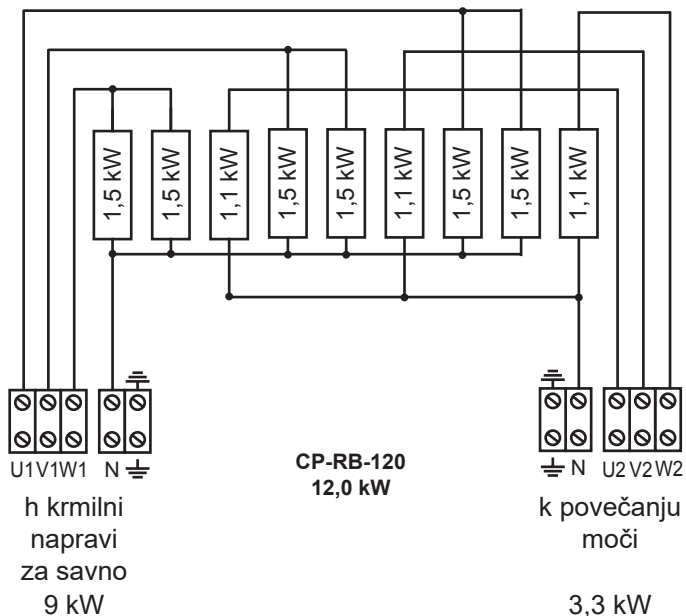
3 peč za savno 9 kW ali 10,5 kW

4 oskrba s tokom

* Odstranite bakreni mostič

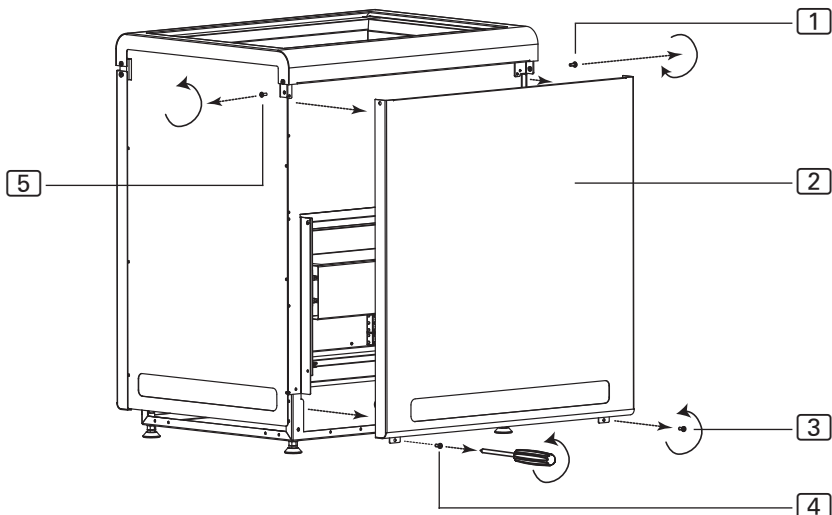
4.6. Sheme priključitve in ožičenja





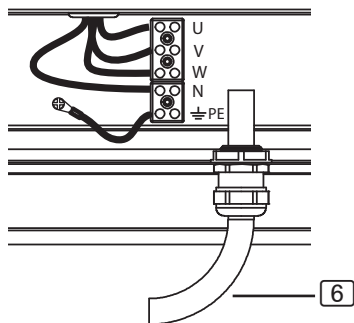
4.7. Električna priključitev

1. Z izvijačem odvijte vijaka **3** in **4**.
2. Z izvijačem odvijte vijaka **1** in **5**.
3. Odstranite prekrivno pločevino **2**.



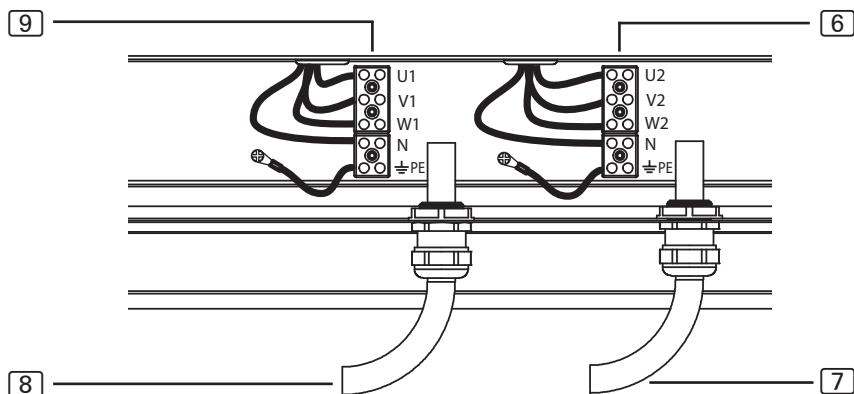
Priključitev Concept R 9 kW in 10,5 kW (CP-RB-090 / CP-RB-105)

1. Priključni kabel speljite skozi skoznjik **6**.
2. Žile priključnega kabla priključite na sponke U – V – W – N – PE peči in na ustrezne sponke krmiljenja peči. Pri tem upoštevajte navodila za montažo krmiljenja peči.
3. Na peč za savno ponovno pritrdite prekrivno pločevino **2**.



**Priključitev Concept R 12 kW in 15 kW
(CP-RB-120 / CP-RB-150)**

1. Priključni kabel za krmiljenje peči speljite skozi skoznjik [8].
2. Žile tega priključnega kabla priključite na sponke U1 – V1 – W1 – N – PE na priključni letvi [9] in na ustrezne sponke krmiljenja peči. Pri tem upoštevajte navodila za montažo krmiljenja peči.
3. Kabel povečanja moči speljite skozi skoznjik [7].
4. Žile kabla za povečanje moči priključite na sponke U2 – V2 – W2 – N – PE na priključni letvi [6] in na ustrezne sponke povečanja moči. Pri tem upoštevajte navodila za montažo povečanja moči.
5. Na peč za savno ponovno pritrдите prekrivno ploščevino [2].



- [6] priključna letev za povečanje moči
- [7] skoznjik za kabel k povečanju moči
- [8] priključna letev za krmiljenje savne
- [9] skoznjik za priključni kabel h krmiljenju savne

5. Zagon

5.1. Polnjenje posode za kamenje

**OPOZORILO!*****Nevarnost požara zaradi pregretja***

Če uporabite peč za savno brez kamenja, se stene kabine močno segrejejo. To lahko povzroči požare.

- Peči za savno NIKOLI ne zaženite brez kamenja za savno.
-

Količino kamenja, ki je primerna za moč vaše peči najdete v poglavju

10. Tehnični podatki (glejte stran **25**).

1. Pred uporabo kamenje za savno temeljito operite s ščetko in vodo. Ne uporabljajte dodatkov za čiščenje.
2. Preden peč za savno napolnite s kamenjem preverite, da ti ne vsebujejo tujkov in odstranite ostanke embalaže.
3. Kamenje za savno položite v posodo za kamenje. Razporedite jih rahlo, tako da lahko zrak med njimi kroži.
4. Pazite, da kamenje ne sega čez rob posode.

5.2. Prvo zagrevanje



PREVIDNOST!

Nastanek dima in vonja ob prvem zagrevanju

Na novih ogrevalnih palicah so obratovne snovi iz postopka izdelave. Te se razkrojijo ob prvem zagrevanju peči za savno. Pri tem nastane dim in neprijeten vonj. Če te pare ali dim vdihujete, škoduje to vašemu zdravju.

Naslednje korake opravite, ko vašo peč za savno **prvič zaženete** in ko ste **ogrevalne palice vaše peči za savno** zamenjali. Tako preprečite škodovanje zdravju zaradi par in dima, ki nastanejo ob prvem zagrevanju.

1. Na krmilni napravi za savno izberite najvišjo možno temperaturo.
2. Peč za savno zagrejte za pol ure.
V tem času se NE zadržujte v kabini savne.
3. Po prvem zagrevanju kabino savne dobro prezračite.
4. Če pri naslednjem zagrevanju dim in vonj ne nastajata več, lahko začnete s kopeljo v savni.
Če dim in vonj ponovno nastaneta, takoj zapustite kabino savne in ponovite prvo zagrevanje, kateremu mora slediti zračenje.

6. Upravljanje



OPOZORILO!

Nevarnost požara

Gorljivi predmeti, ki ležijo na vroči peči, se vnamejo in povzročijo požare.

- NIKOLI ne položite gorljivih predmetov na peč.
- Prepričajte se, da na peči za savno ne ležijo NOBENI gorljivi predmeti, šele nato zaženite peč za savno.

6.1. Upravljanje peči za savno

Upravljanje peči za savno poteka prek krmiljenja za savno. Informacije o upravljanju krmiljenja za savno dobite v navodilih za upravljanje naprave, ki jo uporabljate. Upoštevajte, da je peč za savno Concept R primerna le za krmiljenje za savno brez funkcije daljinskega zagona.



Le z varnostnim izklopom (CP-R-SWL), ki ga prejmete kot opcijo, je peč za savno Concept R primerna tudi za krmiljenje savne S funkcijo daljinskega zagona.

6.2. Polivanje

Po končanem savnanju lahko opravite poparek. Z zajemalko polijte vodo preko kamenja za savno. Voda izpari in vlažnost v kabini se poveča.

Pri poparku upoštevajte naslednje točke:

- Za polivanje uporabite le vodo iz vodovoda. Morska voda, voda, ki vsebuje veliko kalcija in močno klorirana voda lahko poškodujejo peč za savno.
- Uporabite le dišave in eterična olja, ki so primerni izključno za uporabo kot sredstva za poparke v savnah. Upoštevajte podatke proizvajalca na embalaži sredstva za poparke.
- Vode ne polijte prehitro preko kamenja za savno. Le tako bo voda popolnoma izparela.

7. Vzdrževanje

7.1. Daljši premori med obratovanji

Ob vlažnih pogojih v okolici ali daljših premorih med obratovanji se v ogrevalnih palicah kopiči vlaga. To je fizikalni pojav in ni napaka proizvajalca. Vlaga v ogrevalnih palicah lahko povzroči sprožitev zaščitnega sikala FI. V tem primeru naj napako odpravi elektro strokovnjak (glejte poglavje **9. Reševanje problemov s strani monterja**).



Peč za savno zagrejte vsakih 5 do 6 tednov za pribl. 15 minut. Tako preprečite, da bi se ob daljših premorih med obratovanji v ogrevalnih palicah kopičila voda.

7.2. Čiščenje peči za savno

Pazite na to, da se v prezračevalnih odprtinah ne nabira prah in prašni puhek. Tako preprečite, da bi bila cirkulacija zraka v peči omejena in da bi se naprava pregrela.

7.3. Menjava kamenja za savno

Kamenje za savno obremenjujejo sredstva za poparke in velike temperaturne razlike, do katerih pride pri uporabi. Kamenje lahko postane načeto in krhko.

Zato preverite kamenje v rednih časovnih razmikih in ga najmanj enkrat letno zamenjajte.



OPOZORILO!

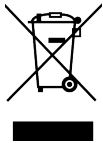
Nevarnost požara zaradi pregretja

Če uporabite peč za savno brez kamenja, se stene kabine močno segrejejo. To lahko povzroči požare.

- Peči za savno NIKOLI ne zaženite brez kamenja za savno.

1. Staro kamenje za savno odstranite.
2. Posodo za kamenje očistite ostankov kalcija, prahu in drugih nečistoč.
3. Pred uporabo kamenje za savno temeljito operite s ščetko in vodo. Ne uporabljajte dodatkov za čiščenje.
4. Preden peč za savno napolnite s kamenjem preverite, da ti ne vsebujejo tujkov in odstranite ostanke embalaže.
5. Kamenje za savno položite v posodo za kamenje. Razporedite jih rahlo, tako da lahko zrak med njimi kroži.
6. Pazite, da kamenje ne sega čez rob posode.

8. Odstranjevanje



- Embalažni material odstranite po veljavnih smernicah za odstranjevanje.
- Izrabljene stare naprave vsebujejo ponovno uporabne materiale, pa tudi škodljive snovi. Zato vaše stare naprave ne odložite med ostale odpadke, temveč jo odstranite po krajevnih veljavnih predpisih.

9. Reševanje problemov s strani monterja

Ohlajanje ogrevalnih palic

Ob vlažnih pogojih v okolici ali daljših premorih med obratovanji se lahko v ogrevalnih palicah kopiči vlaga. To je fizikalni pojav in ni napaka proizvajalca. Vlaga v ogrevalnih palicah lahko povzroči sprožitev zaščitnega stikala FI.

V tem primeru je potrebno, da peč ohladite pod nadzorom elektro strokovnjaka. Pri tem se mora izklopiti zaščitno funkcijo stikala FI. Postopek ohlajanja traja pribl. 10 minut. Nato se mora ponovno vzpostaviti zaščitno funkcijo stikala FI.

Če težave še vedno ne morete odpraviti, se obrnite na vašega dobavitelja.

10. Tehnični podatki

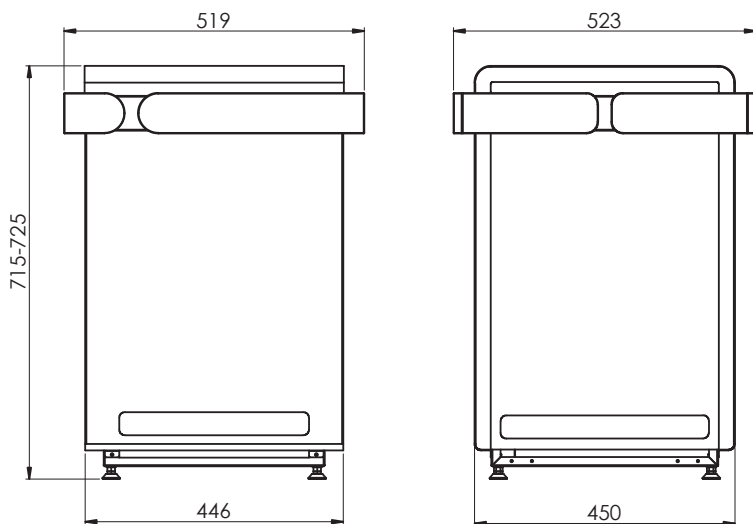
Dimenzije različnih izvedb moči najdete v **SI. 6** in **SI. 7** na strani **26**.

Štev. artikla	Moč [kW]	Volumen kabine [m³]	Minimalna velikost prezračevalna odprtina [mm]	Teža brez kamenja [kg]
CP-RB-090	9,0	9 - 14	350 x 50	34
CP-RB-105	10,5	10 - 15	350 x 60	34
CP-RB-120	12,0	14 - 18	350 x 70	40
CP-RB-150	15,0	18 - 25	350 x 90	40

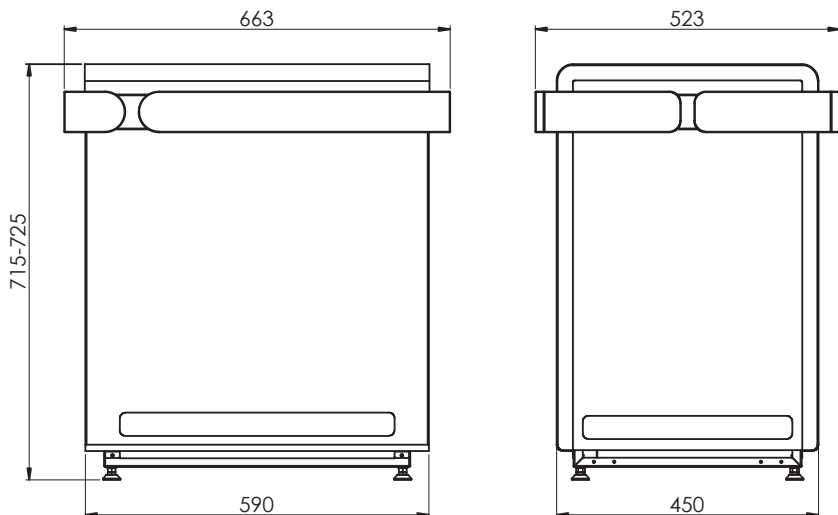
Štev. artikla	Količina kamenja [kg]	Varovalka [A]	Oskrba
CP-RB-090	pribl. 25	3 x 16	400 V AC 3N~ 50/60 Hz 230 V AC 1N~ 50/60 Hz
CP-RB-105	pribl. 25	3 x 16	400 V AC 3N~ 50/60 Hz 230 V AC 1N~ 50/60 Hz
CP-RB-120	pribl. 35	3 x 16 / 3 x 10	400 V AC 3N~ 50/60 Hz
CP-RB-150	pribl. 35	3 x 16 / 3 x 10	400 V AC 3N~ 50/60 Hz

Štev. artikla	Ogrevalne palice
CP-RB-090	6 x SCA150 (1-028-518)
CP-RB-105	3 x SCA150 (1-028-518) / 3 x SCA200 (1-028-503)
CP-RB-120	6 x SCA150 (1-028-518) / 3 x CPRM115 (1-043-621)
CP-RB-150	6 x SCA150 (1-028-518) / 3 x SCA200 (1-028-503)

SI. 6 Dimenzije Concept R 9 kW in 10,5 kW
(CP-RB-090 / CP-RB-105)
Dimenzije v mm



SI. 7 Dimenzije Concept R 12 kW in 15 kW
(CP-RB-120 / CP-RB-150)
Dimenzije v mm



Kiuas

Concept R black

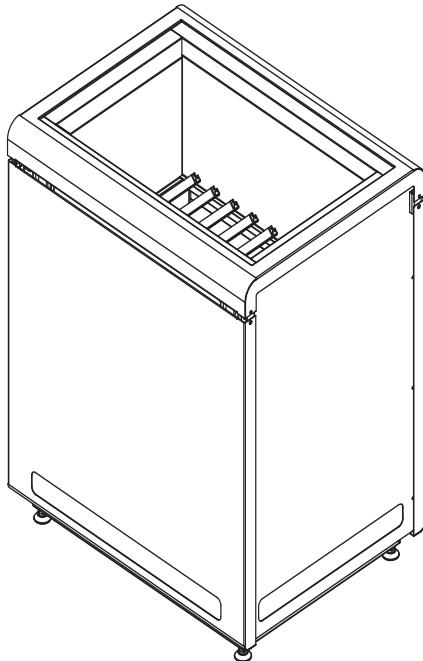
CP-RB-090 / 1-027-768: Concept R 9,0 kW black

CP-RB-105 / 1-027-769: Concept R 10,5 kW black

CP-RB-120 / 1-027-770: Concept R 12,0 kW black

CP-RB-150 / 1-027-771: Concept R 15,0 kW black

ASENNUS- JA KÄYTTÖOHJEET Suomi



FI

Sisällysluettelo

1. Sananen näistä ohjeista	4
2. TÄRKEITÄ OHJEITA turvallisuutesi varmistamiseksi	5
2.1. Käyttötarkoitus	5
2.2. Turvaohjeita asentajalle	5
2.3. Turvaohjeita käyttäjälle	7
3. Tuotekuvaus	8
3.1. Toimituskokonaisuus	8
3.2. Lisävarusteet	8
3.3. Tuotteen toiminnot	8
4. Asennus ja liitäntä	9
4.1. Sijoituspaikka ja anturin sijainti	9
4.2. Suojaetäisyydet	10
4.3. Korkeuden säätö	11
4.4. Liitäntäkaavio 400V 3N~	12
4.5. Liitäntäkaavio 230V 1N~	14
4.6. Johdotuskaaviot	15
4.7. Sähköliitäntä	17
5. Käyttöönotto	19
5.1. Kivitiilan täyttäminen	19
5.2. Ensimmäinen lämmityskerta	20
6. Käyttö	21
6.1. Kiukaan käyttö	21
6.2. Löylyn heittäminen	21

7. Huolto	22
7.1. Pidemmät käyttökätkokset.....	22
7.2. Kiukaan puhdistaminen.....	22
7.3. Kiuaskivien vaihtaminen.....	22
8. Hävittäminen	23
9. Asentajan ongelmanratkaisuja	24
10. Tekniset tiedot	25

1. Sananen näistä ohjeista

Lue nämä asennus- ja käyttöohjeet huolellisesti läpi ja säilytä niitä saunan lähellä. Näin voit katsoa turvallisuuttasi sekä käyttöä koskevia tietoja milloin tahansa.



Asennus- ja käyttöohjeet saat myös Internet-sivujemme materiaalinla-
tausosiosta osoitteesta www.sentiotec.com/downloads.

Symbolit ja varoitukset

Näissä asennus- ja käyttöohjeissa annetaan varoitus ennen toimia, jotka muodostavat vaaratekijän. Näitä varoituksia on ehdottomasti noudatettava. Näin vältät esinevahingot ja loukkaantumiset, jotka pahimmassa tapauksessa voivat aiheuttaa jopa kuoleman.

Varoituksissa käytetään huomiosanoja, joiden merkitys on seuraava:



VAARA!

Jos et noudata tätä varoitusta, seurauksena on kuolema tai vakava loukkaantuminen.



VAROITUS!

Jos et noudata tätä varoitusta, seurauksena voi olla kuolema tai vakava loukkaantuminen.



VARO!

Jos et noudata tätä varoitusta, seurauksena voi olla lievä loukkaantuminen.

HUOMIO!

Tällä huomiosanalla varoitetaan esinevahingoista.

Muut symbolit



Tällä symbolilla merkitään vinkit ja hyödylliset ohjeet.



Ei saa peittää!



Lue käyttöohjeet

2. TÄRKEITÄ OHJEITA turvallisuutesi varmistamiseksi

Concept R -kiuas on valmistettu hyväksytyjen turvallisuusteknisten ohjeiden mukaan. Käytön yhteydessä voi silti ilmetä vaaroja. Noudata siksi seuraavia turvaohjeita ja yksittäisissä luvuissa annettuja erityisiä varoituksia.

2.1. Käyttötarkoitus

Concept R -kiuasta saa käyttää saunahuoneiden lämmittämiseen ainoastaan ohjauskeskuksella, jossa ei ole etäkäynnistystoimintoa.

Ainoastaan yhdessä valinnaisesti saatavilla olevan turvakatkaisimen (CP-R-SWL) kanssa voi Concept R -kiuasta käyttää myös ohjauskeskuksella, jossa on etäkäynnistystoiminto.

Ainoastaan yhdessä valinnaisesti saatavilla olevan turvakatkaisimen (CP-R-SWL) kanssa, voi Concept R -kiuasta käyttää myös yleisissä saunoissa.

Muunlaisen käytön katsotaan poikkeavan tuotteen käyttötarkoituksesta. Tuotteen käyttötarkoituksesta poikkeava käyttö voi johtaa tuotteen vaurioitumiseen, vakaviin vammoihin tai kuolemaan.

2.2. Turvaohjeita asentajalle

- Kiukaan parissa tehtävät asennus- ja liitännätööt saa suorittaa vain silloin, kun kiuas ei ole kytkettynä virtalähteeseen.
- Vain sähköalan ammattilainen tai vastaavan pätevyyden omaava henkilö saa suorittaa asennuksen.

- Asiakkaan on järjestettävä ylijännitekategorian III mukainen kaikkinaipainen erotuslaite, joka takaa täyden katkaisun.
- Käytä kiukaan liittämiseen ainoastaan 150 °C kestäviä silikoni-johtoja.
- Asenna saunahuoneeseen ainoastaan yksi kiuas. Concept R -kiuasta ei saa käyttää samassa saunahuoneessa muiden kiukaiden kanssa.
- Saunahuoneen katto ja seinät on valmistettava pihkaamattomasta, käsittelemättömästä tai lämpökäsitellystä puusta, esim. kuusesta, hemlokista, männystä tai pihdasta tai kertopuumateriaaleista. Kertopuumateriaaleja käytettäessä on varmistettava, että niiden liimoista ei irtoa formaldehydiä. Jos saunahuoneessa käytetään muita materiaaleja kuin puuta, näiden materiaalien pitää kestää kuumuutta ja korroosiota, eikä niillä saa olla kielteistä vaikutusta saunojien terveyteen.
- Saunahuoneen korkeuden on oltava vähintään 2 metriä.
- Huomaa saunahuoneen tilavuutta ja tuuletusta koskevat ohjeet kappaleessa **10. Tekniset tiedot**.
- Kiuasta sijoitettaessa on otettava huomioon vähimmäissuojajäätisyydet (katso kappale **4.2. Suojaetäisyydet**).
- Noudata myös sijoituspaikan paikallisia määräyksiä.
- Käänny oman turvallisuutesi vuoksi toimittajasi puoleen sellaisissa ongelmissa, joita ei käsitellä asennusohjeessa kyllin tarkasti.

2.3. Turvaohjeita käyttäjälle

- Alle 8-vuotiaat lapset eivät saa käyttää laitetta.
- Yli 8-vuotiaat lapset, fyysisiltä, sensorisilta tai henkisiltä kyvyiltään rajoittuneet henkilöt sekä henkilöt, joiden kokemus ja tiedot ovat puutteellisia, saavat käyttää laitetta seuraavin ehdoin:
 - jos he ovat valvonnan alaisia.
 - jos heille on näytetty turvallinen käyttö ja he ymmärtävät vaarat, joita voi syntyä.
- Lapset eivät saa leikkiä laitteella.
- Alle 14-vuotiaat lapset saavat puhdistaa laitteen vain valvonnan alaisina.
- Jätä saunominen terveydellisistä syistä väliin, jos olet alkoholin, lääkkeiden tai huumeiden vaikutuksen alaisena.
- Kiuasta ei saa koskaan käyttää ilman saunakiviä, muutoin voi syttyä tulipalo.
- Ennen kuin kytket kiukaan päälle, varmista, että kiukaalla ei ole tulenarkoja esineitä.
- Lämmitä kiuasta puoli tuntia ENNEN ensimmäistä saunomista. ÄLÄ oleskele tänä aikana saunahuoneessa. Tuuleta saunahuone loppuksi hyvin (katso **5.2. Ensimmäinen lämmityskerta** sivulla **20**).
- Älä koske kiukaaseen käytön aikana. Kiukaan pinta ja kivet kuumenevat hyvin voimakkaasti.
- Käännä oman turvallisuutesi vuoksi toimittajasi puoleen sellaisissa ongelmissa, joita ei käsitellä käyttöohjeessa kyllin tarkasti.

3. Tuotekuvaus

3.1. Toimituskokonaisuus

- Kiuas
- Asennus- ja käyttöohjeet

3.2. Lisävarusteet

<i>Lisävarusteet</i>	<i>Tuotenumero</i>
Turvakatkaisin	CP-R-SWL
Kiuaskaiteen pidikesarja	CP-R-HSR
LEHMUS puukaide pieni (9 - 10,5 kW)	CP-R-L1
LEHMUS puukaide suuri (12 - 15 kW)	CP-R-L2
PÄHKINÄPUU puukaide pieni (9 - 10,5 kW)	CP-R-N1
PÄHKINÄPUU puukaide suuri (12 - 15 kW)	CP-R-N2
Emotion setti kaide LEHMUS pieni (9 - 10,5 kW)	CPR-EMO-L1
Emotion setti kaide LEHMUS suuri (12 - 15 kW)	CPR-EMO-L2
Emotion setti kaide PÄHKINÄPUU pieni (9 - 10,5 kW)	CPR-EMO-N1
Emotion setti kaide PÄHKINÄPUU suuri (12 - 15 kW)	CPR-EMO-N2
Teholaajennus	O-S2-18 / O-S2-18S / O-S2-30

3.3. Tuotteen toiminnot

Concept R -kiuas on suomalainen kiuas ja se mahdollistaa suomalaisille saunoille tyypillisen 80 - 100 °C:een saunailmaston ilmankosteuden ollessa noin 10 %.

4. Asennus ja liitäntä

Huomaa seuraavat kohdat, kun asennat ja liität kiuasta:



VAROITUS!

Sähköiskuvaara

- Suorita kiukaan asennus- ja liitäntätöet ainoastaan sen ollessa jännitteetön.

-
- Vain sähköalan ammattilainen tai vastaavan pätevyuden omaava henkilö saa suorittaa sähköliitännät.
 - Asiakkaan on järjestettävä ylijännitekategorian III mukainen kaikinapainen erotuslaite, joka takaa täyden katkaisun.
 - Concept R -kiuas on jalustalle asetettava kiuas. Kiinnitys lattiaan tai seinään ei ole tarpeen.
 - Älä sijoita kiuasta helposti palavasta materiaalista valmistetulle lattialle, kuten puu tai muovi. Sopiva lattiamateriaali on esim. keraaminen laatta.

4.1. Sijoituspaikka ja anturin sijainti

Sijoita kiuas keskelle saunahuoneen seinän ilmanottoaukkojen eteen.

Noudata tällöin seinään pidettäviä turvaetäisyyksiä, ks. **Kuva 1** ja **Kuva 2**.

Asenna ylikuumenemissuojalla varustettu lämpötila-anturi saunahuoneen seinään, suoraan kiukaan yläpuolelle. Etäisyyttä saunahuoneen kattoon on oltava 15 cm.

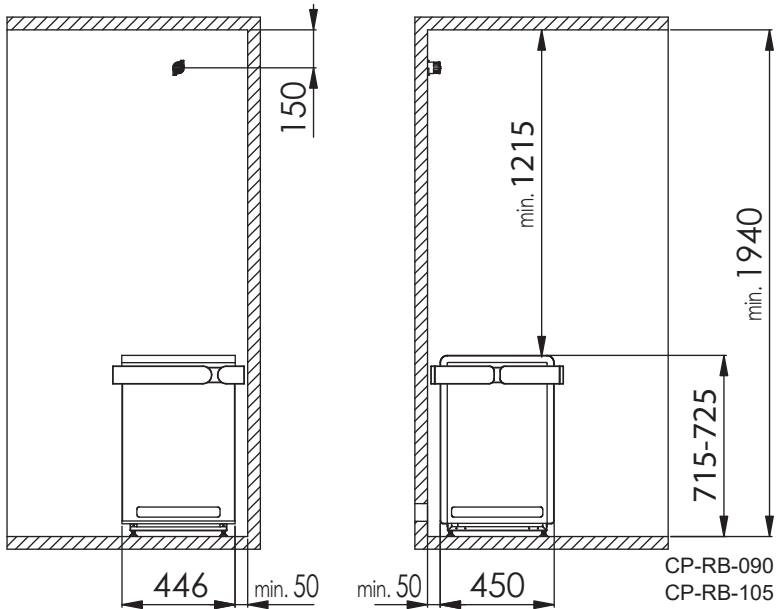


Concept R -kiukaan voi asentaa itsenäisesti seisomaan, jos huolehditaan riittävästä tuuletuksesta. Asenna lämpötila-anturi tällöin huoneen kattoon kiukaan keskikohtaan.

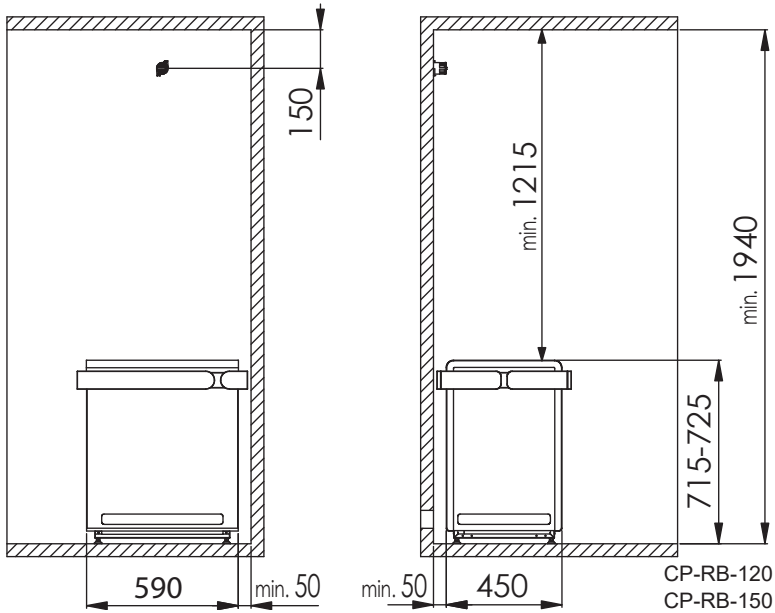
4.2. Suojaetäisyydet

Ota vähimmäisturvaetäisyydet huomioon, ks. **Kuva 1** ja **Kuva 2**.

Kuva 1 Suojaetäisyydet Concept R 9 kW ja 10,5 kW
(CP-RB-090 / CP-RB-105)
Mittayksikkö mm



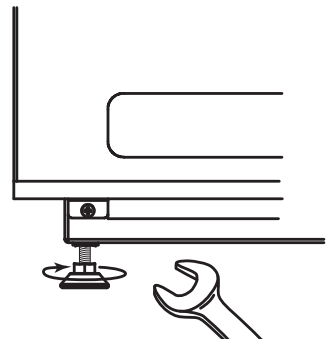
Kuva 2 Suojaetäisyydet Concept R 12 kW ja 15 kW
(CP-RB-120 / CP-RB-150)
Mittayksikkö mm



4.3. Korkeuden säätö

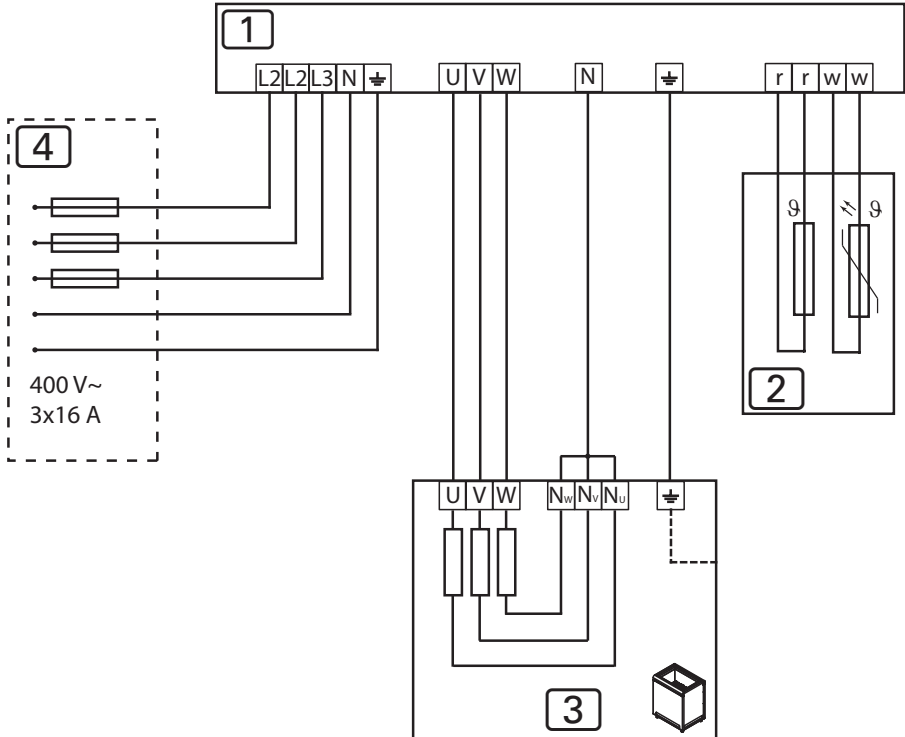
Concept R -kiukaassa on korkeussäädettävät jalat. Niillä kiukaan korkeutta voi säätää 715 ja 725 cm:n välillä. Sijoitus epätasaiselle lattialle on mahdollista, koska jalat voi säätää yksitellen.

1. Löysää kiukaan jalkaa kiintoavaimella (13 mm).
2. Nosta kiuasta kevyesti ja kierrä jalkaa oikealle laskeaksesi korkeutta. Kierrä vasemmalle nostaaksesi korkeutta.
3. Kiristä jalka uudelleen kiintoavaimella.



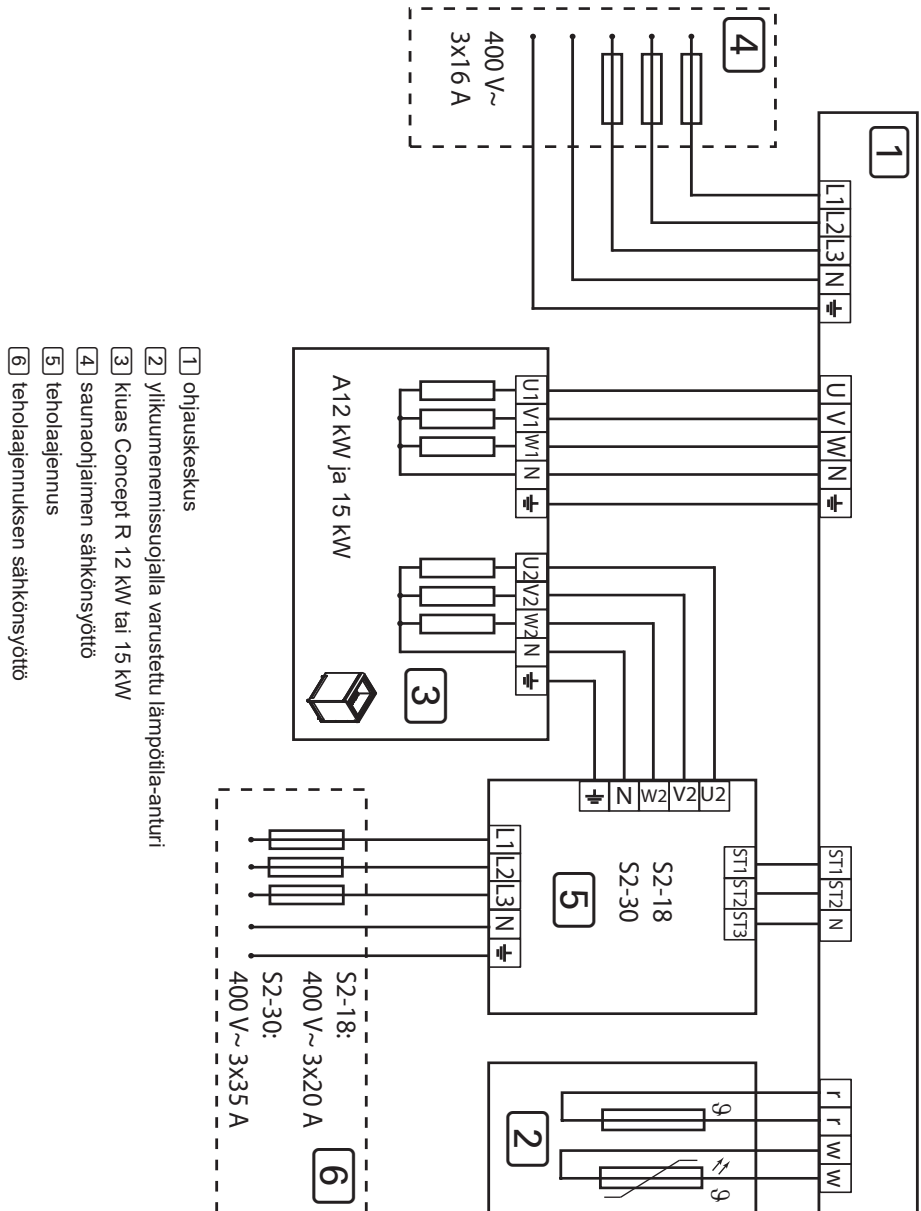
4.4. Liitântäkaavio 400V 3N~

Kuva 3 Liitântäkaavio Concept R 9 kW ja 10,5 kW
(CP-RB-090 / CP-RB-105)



- 1 ohjauskeskus
- 2 ylikuumentumissuojalla varustettu lämpötila-anturi
- 3 kiuas 9 kW tai 10,5 kW
- 4 sähkönsyöttö

Kuva 4 Liitântäkaavio Concept R 12 kW ja 15 kW
(CP-RB-120 / CP-RB-150)



1 ohjauskeskus

2 ylikuumenemissuojalla varustettu lämpötila-anturi

3 kiuas Concept R 12 kW tai 15 kW

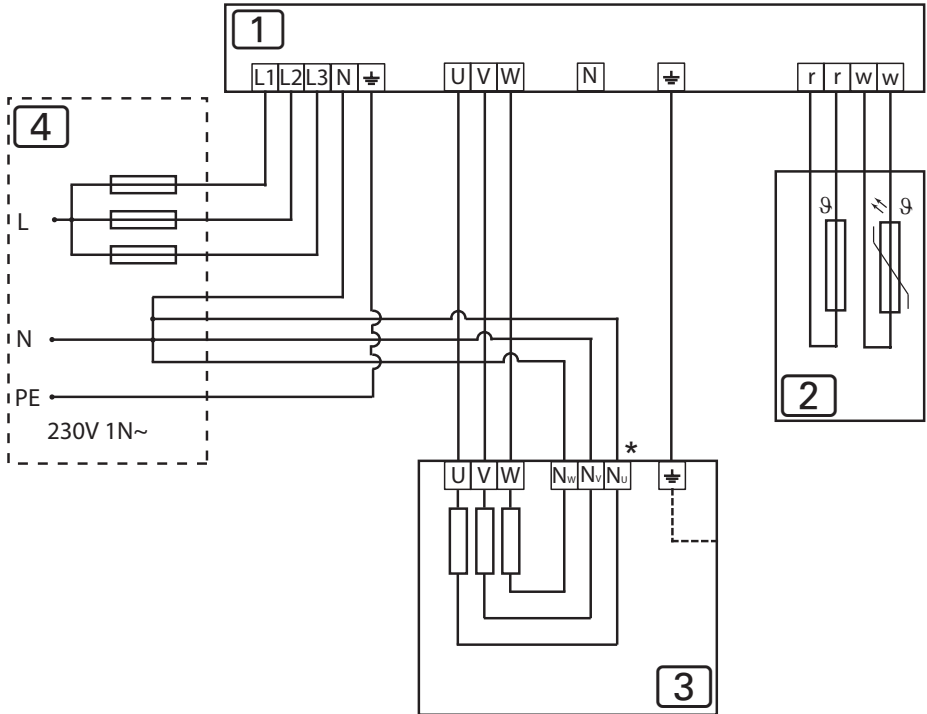
4 saunaohjaimen sähkönsyöttö

5 teholaajennus

6 teholaajennuksen sähkönsyöttö

4.5. Liitântäkaavio 230V 1N~

Kuva 5 Liitântäkaavio Concept R 9 kW ja 10,5 kW
(CP-RB-090 / CP-RB-105)



1 ohjauskeskus

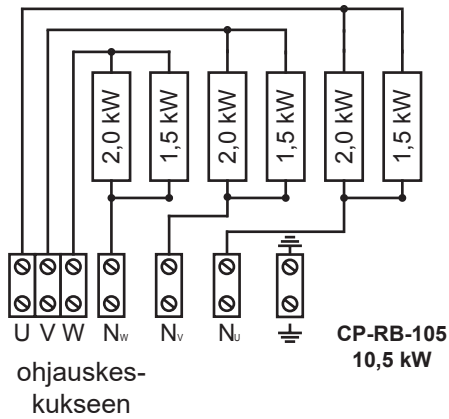
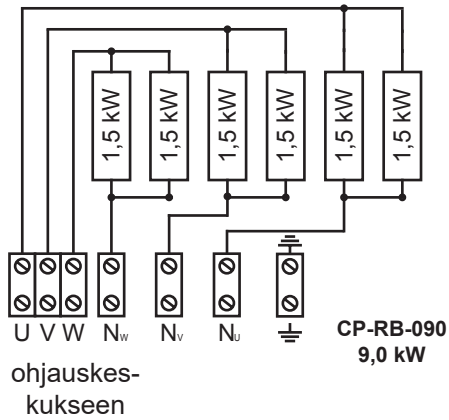
2 ylikuumenemissuojalla varustettu lämpötila-anturi

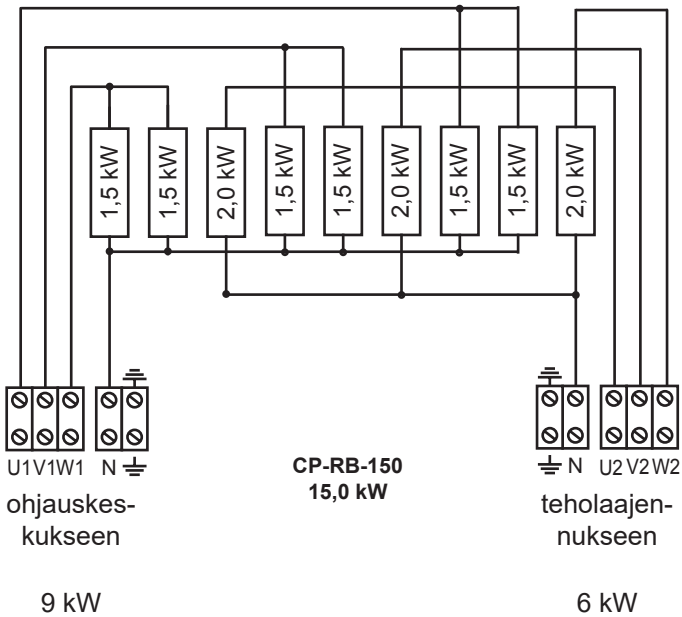
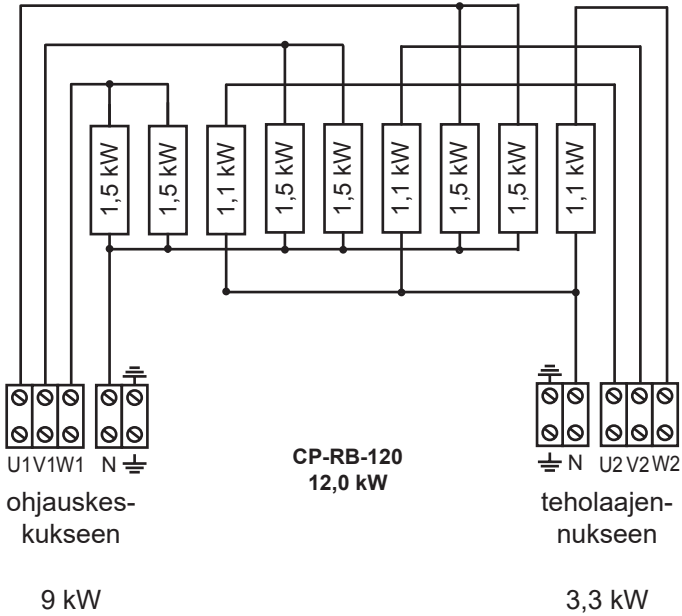
3 kiuas 9 kW tai 10,5 kW

4 sähkösyöttö

* Kuparisilloituksen poistaminen

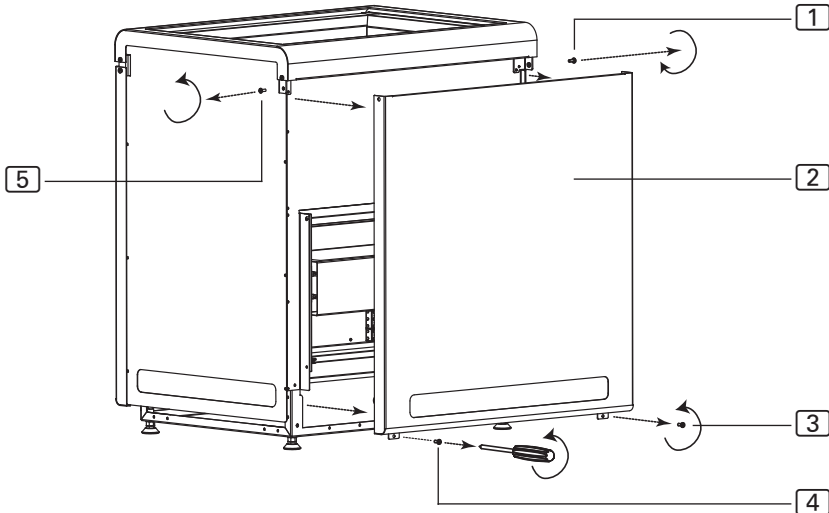
4.6. Johdotuskaaviot





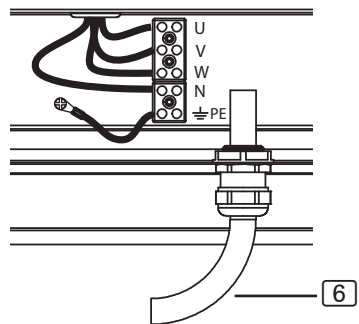
4.7. Sähköliitäntä

1. Avaa ruuvit **3** ja **4** ruuvimeisselillä.
2. Avaa ruuvit **1** ja **5** ruuvimeisselillä.
3. Irrota katapultti **2**.



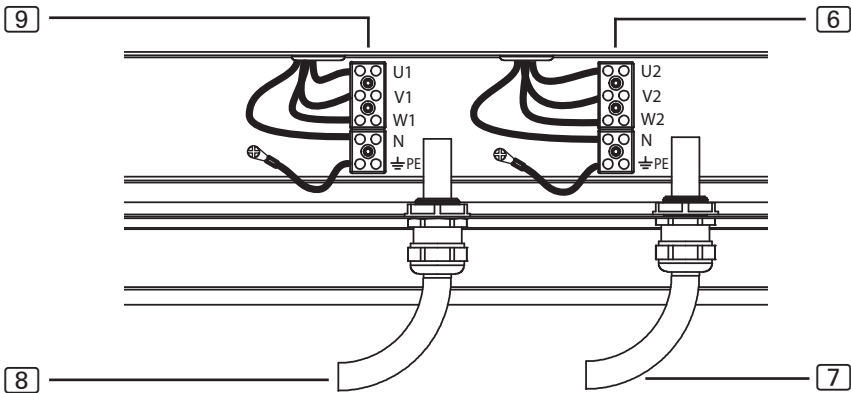
Liitäntä Concept R 9 kW ja 10,5 kW (CP-RB-090 / CP-RB-105)

1. Vedä liitäntäjohto läpiviennin **6** kautta.
2. Liitä liitäntäjohton johtimet liittimiin U – V – W – N – PE sekä sopiviin saunaohjaimen liittimiin. Noudata tällöin ohjauskeskuksen asennusohjetta.
3. Kiinnitä katapultti **2** uudelleen kiukaaseen.



Liitäntä Concept R 12 kW ja 15 kW (CP-RB-120 / CP-RB-150)

1. Vedä saunaohjaimen liitäntäjohto läpiviennin [8] kautta.
2. Liitä liitäntäjohdon johtimet liitäntälistan liittimiin U1 – V1 – W1 – N – PE [9] sekä saunaohjaimen sopiviin liittimiin. Noudata tällöin ohjauskeskuksen asennusohjetta.
3. Vedä teholaajennuksen johto läpiviennin [7] kautta.
4. Liitä liitäntäjohdon johtimet liitäntälistan liittimiin U2 – V2 – W2 – N – PE [6] sekä teholaajennuksen sopiviin liittimiin. Noudata tällöin teholaajennuksen asennusohjetta.
5. Kiinnitä katapultti [2] uudelleen kiukaaseen.



- [6] teholaajennuksen liitäntälistä
- [7] johdon läpivienti teholaajennukselle
- [8] saunaohjaimen liitäntälistä
- [9] liitäntäjohdon läpivienti saunaohjaimelle

5. Käyttöönotto

5.1. Kivitiilan täyttäminen

**VAROITUS!*****Ylikuumentuminen aiheuttaa palovaaran***

Jos kiuasta käytetään ilman kiviä, saunahuoneen seinät kuumenevat voimakkaasti. Se voi aiheuttaa tulipalon.

- Kiuasta EI KOSKAAN saa käyttää ilman kiuaskiviä.

Kiuastehoosi tarvittavan kivimäärän näet kappaleesta **10. Tekniset tiedot** (katso sivu **25**).

1. Pese kiuaskivet ennen käyttöä huolellisesti harjalla ja vedellä. Älä käytä puhdistuslisäaineita.
2. Ennen kuin ladot kivet kiukaaseen, tarkista, että kivien joukossa ei ole vieraita esineitä ja poista kaikki pakkausjäänteet.
3. Lado kiuaskivet kivitilaan. Lado kiuaskivet väljästi, jotta ilma pääsee kiertämään vapaasti.
4. Varmista, etteivät kiuaskivet tule kivitilan reunan yli.

5.2. Ensimmäinen lämmityskerta

**VARO!*****Ensilämmityksen aikana syntyy savua ja hajua***

Uusissa lämmitysvastuksissa on valmistusprosessista jääneitä käyttöaineita. Nämä tuhoutuvat ensimmäisellä lämmityskerralla. Samalla syntyy savua ja epämiellyttävää hajua. Näiden höyryjen tai savun hengittäminen on terveydelle haitallista.

Kun otat kiukaan **käyttöön ensimmäistä kertaa** ja kun **kiukaan lämmitysvastukset on vaihdettu**, tee seuraavat työvaiheet. Näin estät ensimmäisen lämmityskerran yhteydessä syntyvien höyryn ja savun aiheuttamat terveyshaitat.

1. Valitse ohjauskeskuksesta mahdollisimman korkea lämpötila.
2. Lämmitä kiuasta puoli tuntia.

ÄLÄ OLESKELE tänä aikana saunahuoneessa.

3. Tuuleta saunahuone hyvin ensilämmityksen jälkeen.
4. Jos seuraavan lämmittämisen aikana ei muodostu enää savua tai hajua, voit aloittaa saunomisen.

Jos savua tai hajua syntyy, poistu saunahuoneesta välittömästi ja toista ensimmäinen lämmittäminen ja tuuletus.

6. Käyttö



VAROITUS!

Palovaara

Kuumalla kiukaalla olevat tulenarat esineet syttyvät ja aiheuttavat tulipalon.

- ÄLÄ KOSKAAN laske tulenarkoja esineitä kiukaalle.
 - Varmista, että kiukaalla EI ole tulenarkoja esineitä, kun otat kiukaan käyttöön.
-

6.1. Kiukaan käyttö

Kiuasta käytetään ohjauskeskuksella. Tietoa ohjauskeskuksen käytöstä saat käytettävän laitteen käyttöohjeesta. Huomaa, että Concept R -kiuas soveltuu ainoastaan ohjauskeskuksille, joissa ei ole etäkäynnistystoimintoa.



Valinnaisena saatavilla olevalla turvakatkaisimella (CP-R-SWL) voi Concept R -kiuasta käyttää myös etäkäynnistystoiminnon KANSSA.

6.2. Löylyn heittäminen

Saunomisen loppupuolella voit heittää löylyä. Kaada vettä kauhalla kiuaskivien päälle. Vesi höyrystyy, ja ilmankosteus saunahuoneessa kohoaa.

Huomaa löylynheitossa seuraavat kohdat:

- Käytä ainoastaan vesijohtovettä. Merivesi, hyvin kalkkipitoinen ja kloorattu vesi voivat vaurioittaa kiuasta.
- Käytä ainoastaan sellaisia tuoksuja ja eteerisiä öljyjä, jotka ovat nimenomaan tarkoitettu saunan löylyveteen. Huomaa löylyaineiden valmistajien ohjeet pakkauksissa.
- Älä kaada vettä kiville liian nopeasti. Muutoin vesi ei höyrysty kokonaan.

7. Huolto

7.1. Pidemmät käyttökatkokset

Kosteissa ympäristöolosuhteissa tai käyttökatkosten kestäessä pitkään lämmitysvastuksiin kertyy kosteutta. Tämä on fysikaalinen ilmiö, eikä siis valmistajan virhe. Lämmitysvastusten kosteus voi aiheuttaa FI-suojakytkimen laukeamisen. Jos näin tapahtuu, ota yhteyttä sähköalan ammattilaiseen vian korjaamiseksi (katso kappale **9. Asentajan ongelmanratkaisuja**).



Lämmitä kiuasta 5-6 viikon välein noin 15 minuutin ajan. Näin estät veden kertymisen lämmitysvastuksiin pidempien käyttökatkosten aikana.

7.2. Kiukaan puhdistaminen

Varmista, että tuuletusaukoissa ei ole nukkaa ja pölyä. Näin estät kiukaan ilman kierron rajoittumisen ja laitteen ylikuumentumisen.

7.3. Kiuaskivien vaihtaminen

Löylyvesi ja suuret lämpötilavaihtelut kuormittavat kiuaskiviä. Kiuaskivet voivat kulua ja murentua.

Tarkasta kiuaskivet säännöllisesti ja vaihda ne vähintään kerran vuodessa.



VAROITUS!

Ylikuumentuminen aiheuttaa palovaaran

Jos kiuasta käytetään ilman kiviä, saunahuoneen seinät kuumenevat voimakkaasti. Se voi aiheuttaa tulipalon.

- Kiuasta EI KOSKAAN saa käyttää ilman kiuaskiviä.
-

1. Poista vanhat kiuaskivet.
2. Puhdista kivitila kalkista, pölystä ja muusta liasta.
3. Pese kiuaskivet ennen käyttöä huolellisesti harjalla ja vedellä. Älä käytä puhdistuslisäaineita.
4. Ennen kuin ladot kivet kiukaaseen, tarkista, että kivien joukossa ei ole vieraita esineitä ja poista kaikki pakkausjäänteet.
5. Lado kiuaskivet kivitilaan. Lado kiuaskivet väljästi, jotta ilma pääsee kiertämään vapaasti.
6. Varmista, etteivät kiuaskivet tule kivitilan reunan yli.

8. Hävittäminen



- Hävitä pakkausmateriaali voimassaolevien määräysten mukaisesti.
- Laiteromussa on kierrätettäviä materiaaleja, mutta myös haitallisia aineita. Älä siis missään tapauksessa hävitä laiteromua sekajätteen mukana, vaan hävitä laite paikallisten voimassa olevien määräysten mukaisesti.

9. Asentajan ongelmanratkaisuja

Lämmitysvastusten lämmittäminen

Kosteissa ympäristöolosuhteissa tai käyttökatkosten kestäessä pitkään lämmitysvastuksiin voi kertyä kosteutta. Tämä on fysikaalinen ilmiö, eikä siis valmistajan virhe. Lämmitysvastusten kosteus voi joissain tilanteissa aiheuttaa FI-suojakytkimen laukeamisen.

Jos näin tapahtuu, kiuasta täytyy lämmittää sähköalan ammattilaisen valvonnassa. FI-suojakytkimen suojoiminto on tällöin kytkettävä pois päältä. Lämmitys kestää noin 10 minuuttia. Sen jälkeen FI-kytkimen suojoiminto on kytkettävä jälleen päälle.

Jos ongelma jatkuu, käänny laitteen toimittajan puoleen.

10. Tekniset tiedot

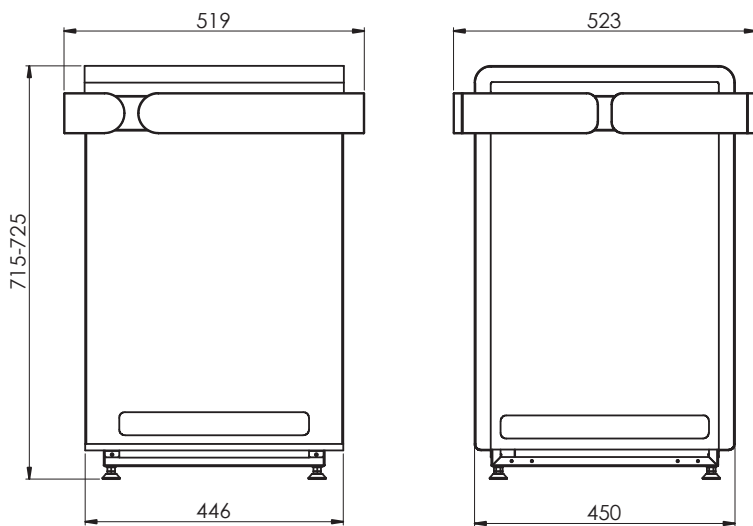
Eri tehomallien mitat, ks. **Kuva 6** Ja **Kuva 7** sivulla **26**.

Tuote-numero	Teho [kW]	Sauna-huoneen tilavuus [m ³]	Tuuletusaukon vähimmäiskoko [mm]	Paino ilman kiviä [kg]
CP-RB-090	9,0	9 - 14	350 x 50	34
CP-RB-105	10,5	10 - 15	350 x 60	34
CP-RB-120	12,0	14 - 18	350 x 70	40
CP-RB-150	15,0	18 - 25	350 x 90	40

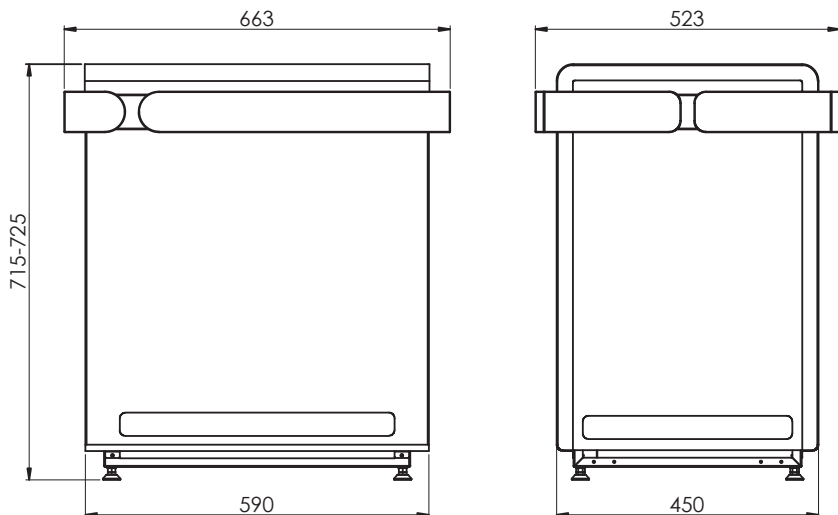
Tuote-numero	Kivimäärä [kg]	Varmistin [A]	Syöttö
CP-RB-090	noin 25	3 x 16	400 V AC 3N~ 50/60 Hz 230 V AC 1N~ 50/60 Hz
CP-RB-105	noin 25	3 x 16	400 V AC 3N~ 50/60 Hz 230 V AC 1N~ 50/60 Hz
CP-RB-120	noin 35	3 x 16 / 3 x 10	400 V AC 3N~ 50/60 Hz
CP-RB-150	noin 35	3 x 16 / 3 x 10	400 V AC 3N~ 50/60 Hz

Tuote-numero	Lämmitysvastukset
CP-RB-090	6 x SCA150 (1-028-518)
CP-RB-105	3 x SCA150 (1-028-518) / 3 x SCA200 (1-028-503)
CP-RB-120	6 x SCA150 (1-028-518) / 3 x CPRM115 (1-043-621)
CP-RB-150	6 x SCA150 (1-028-518) / 3 x SCA200 (1-028-503)

Kuva 6 Mitat Concept R 9 kW ja 10,5 kW
(CP-RB-090 / CP-RB-105)
Mittayksikkö mm



Kuva 7 Mitat Concept R 12 kW ja 15 kW
(CP-RB-120 / CP-RB-150)
Mittayksikkö mm



sentiotec 
DIVISION OF HARVIA GROUP

CENTRAL EUROPE

sentiotec GmbH | Division of Harvia Group |

Wartenburger Straße 31,
A-4840 Vöcklabruck

T +43 (0) 7672/22 900-50 | F -80 |

info@sentiotec.com | www.sentiotec.com

GLOBAL

HARVIA

P.O. Box 12, Teollisuustie 1-7,
40951 Muurame, FINLAND

T +358 207 464 000

harvia@harvia.fi | www.harvia.fi

RUSSIA

Адрес уполномоченного лица:

ООО «Харвия Рус»
196006, Россия. Санкт-Петербург г,
пр-кт Лиговский, д. 266, стр. 1, помещ.
2.1-Н.50 | ОГРН 1157847200818

T +78123258294 | spb@accountor.ru

