

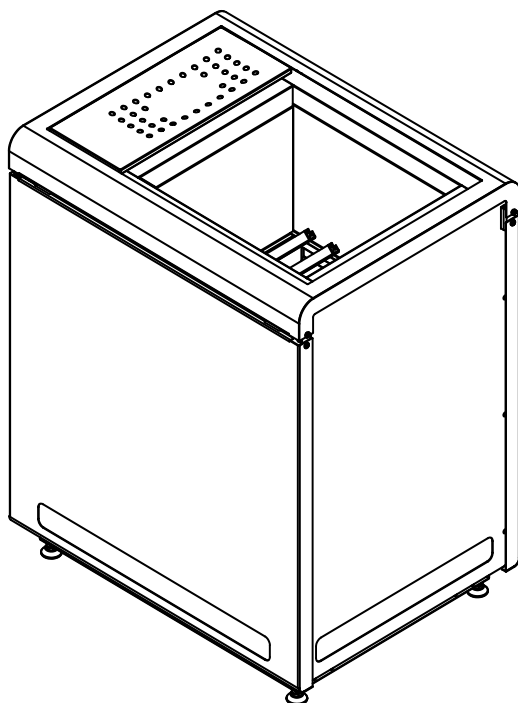
# Sauna heater

## Concept R combi black

CP-RCB-090 / 1-027-775: Concept R combi 9.0 kW

CP-RCB-105 / 1-027-776: Concept R combi 10.5 kW

### INSTRUCTIONS FOR INSTALLATION AND USE English



EN

DE

FR

IT

NL

SV

CS

SL

FI

# Table of Contents

<b>1. About this instruction manual</b>	<b>4</b>
<b>2. Important information for your safety</b>	<b>5</b>
2.1. Intended use	5
2.2. Safety information for the installer	6
2.3. Safety information for the user	7
<b>3. Product description</b>	<b>9</b>
3.1. Scope of delivery	9
3.2. Accessories	9
3.3. Product functions	9
<b>4. Installation and connection</b>	<b>10</b>
4.1. Installation location and sensor position	10
4.2. Safety distances	11
4.3. Adjusting the height	11
4.4. Connection diagram for 400 V 3N~	12
4.5. Connection diagram for 230 V 1N~	13
4.6. Electrical connection	14
<b>5. Commissioning</b>	<b>16</b>
5.1. Filling the stone container	16
5.2. Inserting the ceramic bowl	16
5.3. Heating for the first time	17
<b>6. Operation</b>	<b>18</b>
6.1. Finnish sauna mode	18
6.2. Combi mode	19

<b>7. Maintenance</b>	<b>21</b>
7.1. Extended periods of non-use	21
7.2. Cleaning the sauna heater	21
7.3. Changing the sauna stones	21
7.4. Cleaning the evaporator tank	22
7.5. Cleaning the ceramic bowl	22
7.6. Descaling the evaporator tank	23
<b>8. Problem-solving by the installer</b>	<b>23</b>
<b>9. Disposal</b>	<b>23</b>
<b>10. Technical data</b>	<b>24</b>
<b>11. Dimensions</b>	<b>25</b>

# 1. About this instruction manual

Carefully read these instructions for installation and use, and keep them near the sauna. This ensures that you can refer to information about your safety and the operation at any time.



These installation and operating instructions can also be found in the downloads section of our website: [www.sentiotec.com/downloads](http://www.sentiotec.com/downloads).

## **Symbols used for warning notices**

In these instructions for installation and use, a warning notice located next to an activity indicates that this activity poses a risk. Always observe the warning notices. This prevents damage to property and injuries, which in the worst case may be fatal.

The warning notices contain keywords, which have the following meanings:



### **DANGER!**

Serious or fatal injury will occur if this warning notice is not observed.



### **WARNING!**

Serious or fatal injury can occur if this warning notice is not observed.



### **CAUTION!**

Minor injuries can occur if this warning notice is not observed.

## **ATTENTION!**

This keyword is a warning that damage to property can occur.

## **Other symbols**



This symbol indicates tips and useful information.



Do not cover



Read the operating instructions



## 2. Important information for your safety

The Concept R combi sauna heater has been produced in accordance with the applicable safety rules and regulations. However, hazards may occur during use. Therefore adhere to the following safety information and the specific warning notices in the individual chapters.

### 2.1. Intended use

The Concept R combi is a sauna heater with integrated evaporator. The Concept R combi is intended solely for heating sauna cabins and for increasing the humidity within the sauna cabin. The Concept R combi may only be used in conjunction with a sauna control unit without a remote start function.

The Concept R combi sauna heater can also be used with a sauna control unit with a remote start function, but only in conjunction with the optional safety shutdown feature (CP-R-SWL).

The Concept R combi sauna heater can also be used in public saunas, but only in conjunction with the optional safety shutdown feature (CP-R-SWL).

Any use exceeding this scope is considered improper use. Improper use can result in damage to the product, severe injuries or death.

## 2.2. Safety information for the installer

- Installing and connecting the sauna heater may only be performed when the power supply is disconnected.
- Installation may only be performed by a qualified electrician or similarly qualified person.
- A fully disconnecting all-pole isolating device compliant with overvoltage category III must be fitted on site.
- Always use silicone cables that are heat-resistant up to 150 °C to connect the sauna heater.
- Only install one sauna heater in the cabin. The Concept R combi sauna heater must not be used together with other sauna heaters in a sauna cabin.
- The roof and walls of the sauna cabin must be manufactured from low-resin, untreated or thermally treated wood, e.g. Nordic spruce, hemlock, pine or fir, or from laminated wooden materials. If laminated wooden materials are used, make sure that the adhesive used in them does not give off formaldehyde. If other materials than wood are used in the sauna cabin, these materials must be heat-resistant and corrosion-resistant and must not cause any negative effects on the health of the sauna users.
- The height of the sauna cabin must be at least 2.0 m.
- Observe the specifications on volumes and on ventilation of the sauna cabin in chapter **10. Technical data** on page **24**.
- When positioning the sauna heater, observe the minimum safety distances (see chapter **4.2. Safety distances** on page **11**).
- Also comply with the regulations applicable at the installation location.
- For your own safety, consult your supplier in the event of problems that are not explained in sufficient detail in the installation instructions.

### 2.3. Safety information for the user

- The device must not be used by children under 8 years of age.
- The device may only be used by children over 8 years of age, by persons with limited psychological, sensory or mental capabilities or by persons with lack of experience/knowledge under the following conditions:
  - They are supervised.
  - They have been shown how to use the device safely and are aware of the hazards that could occur.
- Children must not play with the device.
- Children under 14 years of age may only clean the device if they are supervised.
- For health reasons, do not use the sauna when under the influence of alcohol, medication or drugs.
- Never operate the sauna heater without sauna stones, as this can cause fires.
- Heat up the sauna heater and the evaporator for half an hour BEFORE using the sauna for the first time. Do NOT remain in the sauna cabin during this period. Then ventilate the sauna cabin well (see **5.3. Heating for the first time** on page 17).
- Make sure that no flammable objects have been placed on the sauna heater before the sauna control unit is switched on.

- Never touch the sauna heater while it is operating. The surfaces of the sauna heater and sauna stones become extremely hot.
- NEVER pour water into the hot evaporator tank. Check and fill the evaporator tank each time before starting combi mode. If the overheating protection has switched off evaporator heating, or if your sauna control unit reports a lack of water, allow the evaporator to cool down BEFORE you pour water into the evaporator tank.
- For your own safety, consult your supplier in the event of problems that are not described in sufficient detail in the user instructions.

## 3. Product description

### 3.1. Scope of delivery

- Sauna heater
- Instructions for installation and use
- Ceramic bowl for herbs and fragrances

### 3.2. Accessories

<i>Accessories</i>	<i>Item number</i>
Auto Refill Set	CP-RC-AF
Safety shut-off	CP-R-SWL
Bracket set for heater railing	CP-R-HSR
LINDEN wooden railing, large	CP-R-L2
WALNUT wooden railing, large	CP-R-N2
Emotion railingset LINDEN, large	CPR-EMO-L2
Emotion railingset WALNUT, large	CPR-EMO-N2

EN

### 3.3. Product functions

The Concept R combi sauna heater is a combination heater. The following operating modes are possible:

- **Finnish sauna mode:** usually 80 to 100 °C; approx. 10% rel. humidity
- **Combi mode** (only in combination with a combi control): approx. 40 to 65 °C, 35% to 70% humidity. The maximum permissible relative humidity decreases with increasing temperature.

If you wish, you can put fragrances or dried herbs in the ceramic bowl over the evaporator in combi mode. The rising steam releases essential oils from the herbs and allows fragrances to fill the sauna cabin.

## 4. Installation and connection

Take the following points into account when positioning and connecting the sauna heater:



### **WARNING!**

#### ***Danger of electric shock***

- The sauna heater may only be installed and connected when the power supply is disconnected.

- 
- The electrical connection may only be performed by a qualified electrician or similarly qualified person.
  - A fully disconnecting all-pole isolating device compliant with overvoltage category III must be fitted on site.
  - The Concept R combi sauna heater is a free-standing heater. It does not need to be attached to the floor or sauna wall.
  - Do not place the sauna heater on a floor made from an easily flammable material such as wood or plastic. Suitable flooring includes ceramic tiles, for example.

### 4.1. Installation location and sensor position

Position the heater centrally in front of the air intake opening in the cabin wall. Observe the safety distances to the cabin wall specified in **Fig. 1**.

Install the temperature sensor with excess temperature cut-out to the cabin wall above the centre of the sauna heater. Maintain a distance of 15 cm to the sauna cabin roof.



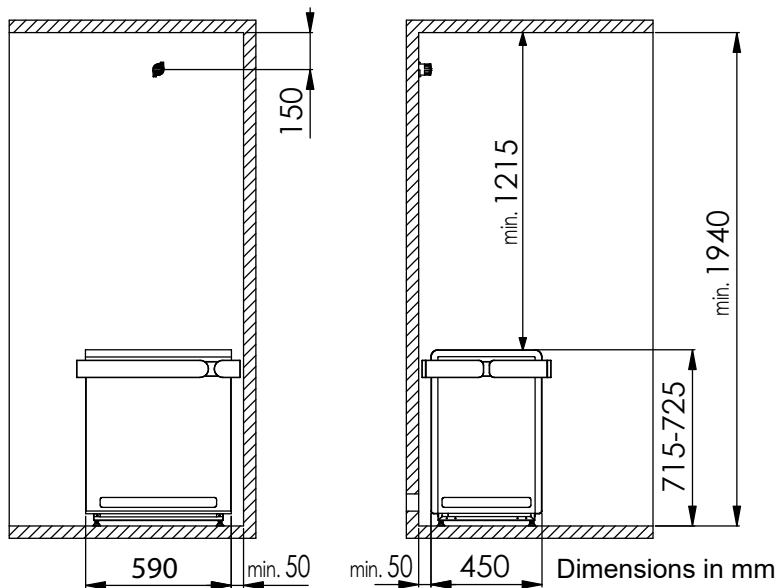
If there is sufficient ventilation, the Concept R sauna heater can also be set up as a free-standing device. In this case, fit the temperature sensor to the cabin roof above the centre of the heater.

---

## 4.2. Safety distances

Observe the minimum safety distances specified in **Fig. 1**.

**Fig. 1** Safety distances for Concept R combi 9 kW and 10.5 kW (CP-RCB-090 / CP-RCB-105)

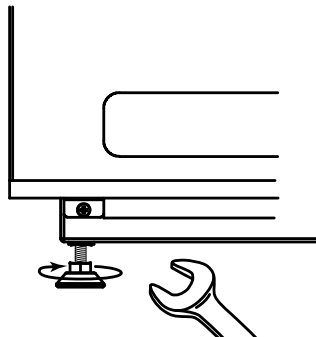


EN

## 4.3. Adjusting the height

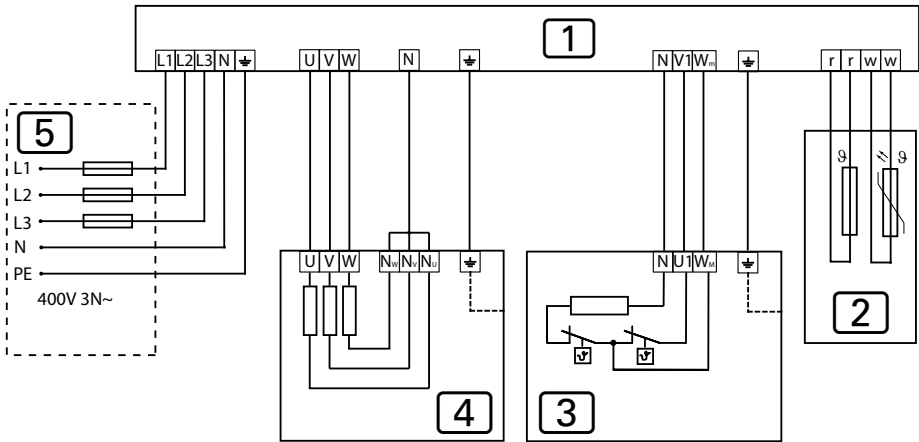
The Concept R combi sauna heater has height-adjustable feet. The height can therefore be set between 715 mm and 725 mm. Each foot can be set individually, making it possible to adapt the sauna heater to uneven floors.

1. Loosen the sauna heater foot using an open-ended spanner (13 mm).
2. Lift the sauna heater slightly and turn the foot to the right to reduce the height. Turn to the left to increase the height.
3. Retighten the foot using the open-ended spanner.



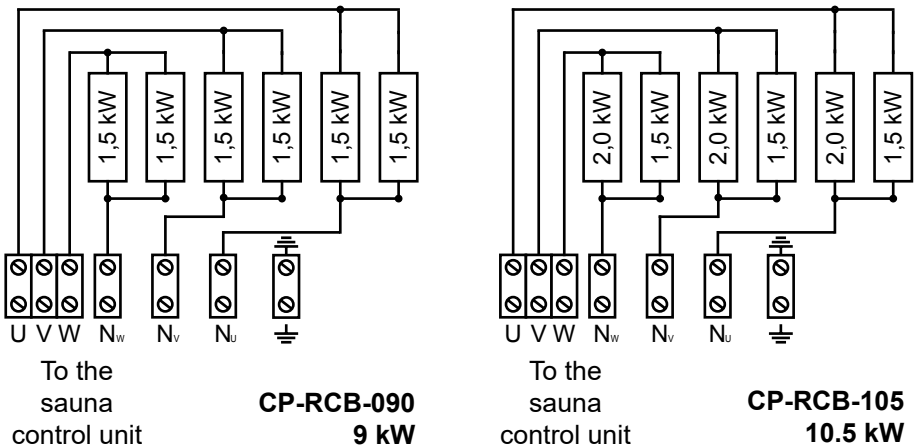
### 4.4. Connection diagram for 400 V 3N~

**Fig. 2** Connection diagram for Concept R combi 9 kW and 10.5 kW



- 1 Sauna control unit
- 2 Temperature sensor with excess temperature cut-out
- 3 Evaporator
- 4 Heating system
- 5 Power supply

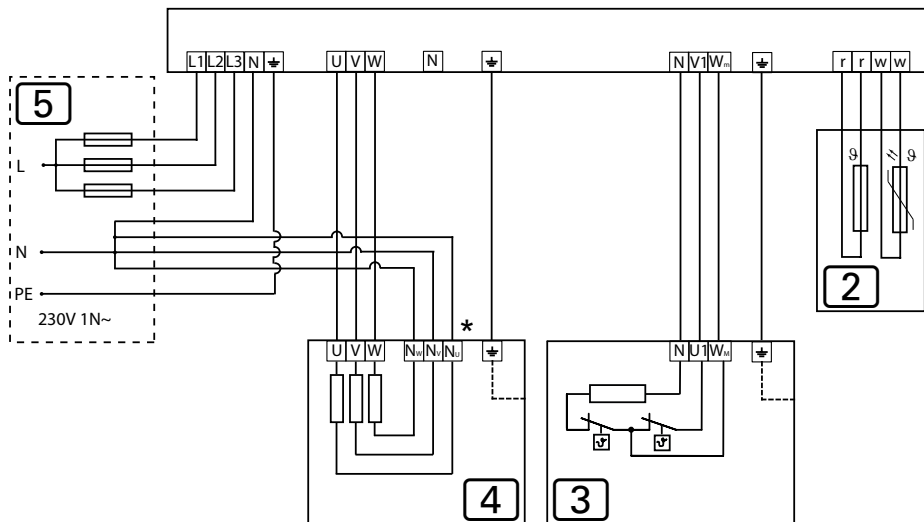
**Fig. 3** Wiring diagrams – heating system



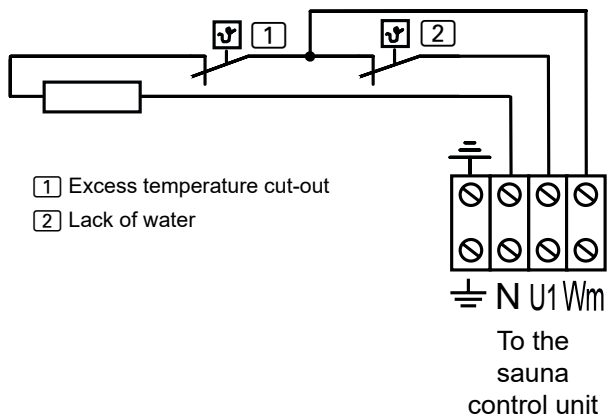


## 4.5. Connection diagram for 230 V 1N~

Fig. 4 Connection diagram for Concept R combi 9 kW and 10.5 kW

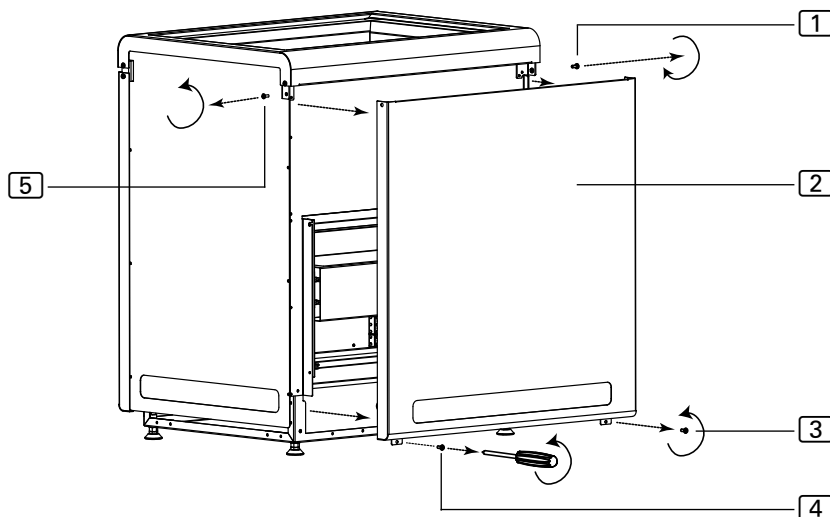


- 1 Sauna control unit
  - 2 Temperature sensor with excess temperature cut-out
  - 3 Evaporator
  - 4 Heating system
  - 5 Power supply
- \* Remove the copper bridge

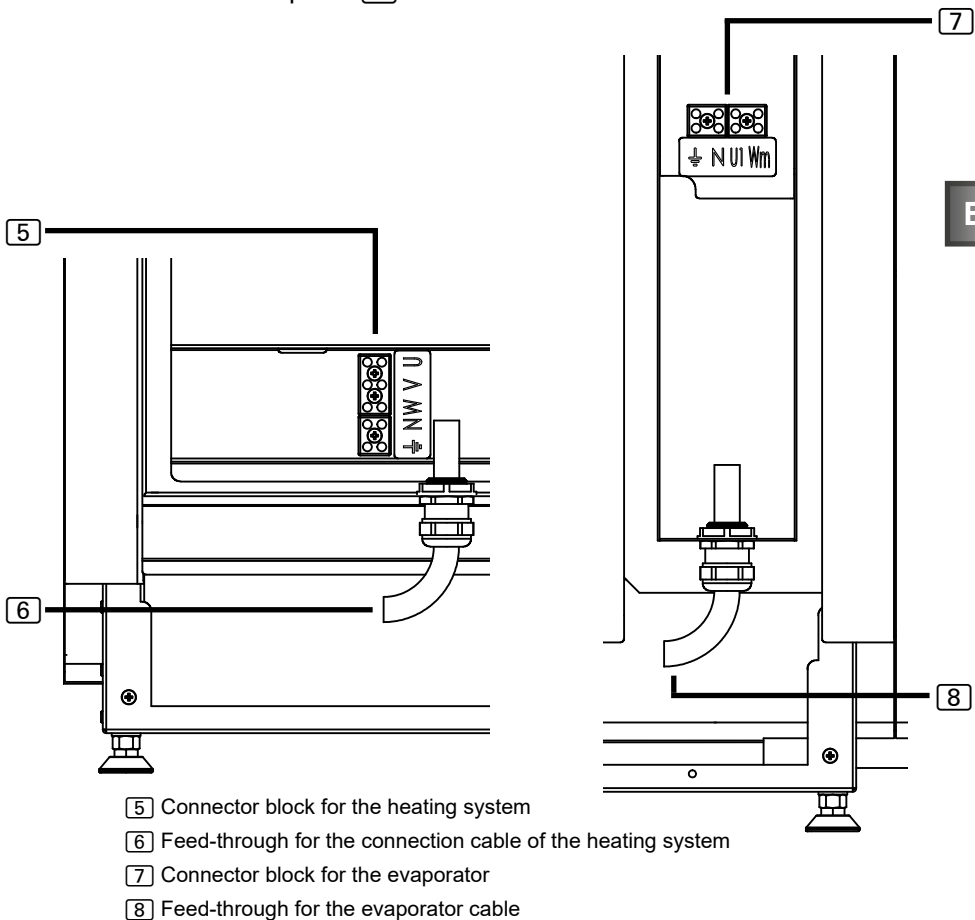
**Fig. 5** Wiring diagram – evaporator

#### 4.6. Electrical connection

1. Unscrew the screws **3** and **4** with a screwdriver.
2. Unscrew the screws **1** and **5** with a screwdriver.
3. Remove the cover plate **2**.



4. Guide the connection cable of the heating system through the feed-through [6].
5. Connect the connectors of this connection cable to the U – V – W – N – PE terminals on the connector block [5] and to the applicable sauna control unit terminals. Observe the installation instructions for the sauna control unit when doing so.
6. Guide the evaporator cable through the feed-through [8].
7. Connect the connectors of this evaporator cable to the PE – N – U1 – Wm terminals on the connector block [7] and to the applicable sauna control unit terminals. Observe the installation instructions for the sauna control unit when doing so.
8. Reattach the cover panel [2] to the heater.



## 5. Commissioning

### 5.1. Filling the stone container

**WARNING!*****Risk of fire due to overheating***

If the sauna heater is used without sauna stones, the cabin walls will become extremely hot. This could cause fires.

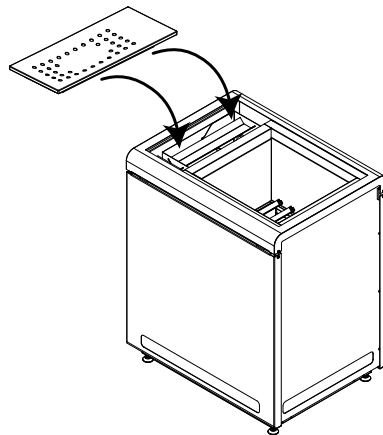
- NEVER operate the sauna heater without the sauna stones.

The amount of stones suited to your heater output can be found in chapter **10. Technical data** (see page **24**).

1. Wash the stones thoroughly using water and a brush before use. Do not use any cleaning additives.
2. Before filling the heater with the sauna stones, check them for foreign objects and remove any remaining packaging.
3. Place the stones in the stone container. Stack the sauna stones loosely so that air can flow through the gaps.
4. Make sure that the sauna stones do not protrude beyond the edge of the stone container.

### 5.2. Inserting the ceramic bowl

- Place the ceramic bowl on the evaporator tank as shown in the illustration on the right.



### 5.3. Heating for the first time

---

**CAUTION!*****Formation of smoke and odours when heating up for the first time***

Materials used during the manufacturing process will be present on the new heating elements. These evaporate when the sauna heater is heated up for the first time. This produces smoke and an unpleasant odour. Breathing in the fumes or smoke can be harmful to your health.

---

Perform the following steps when **operating the sauna heater for the first time** and if the **heating elements for the sauna heater have been replaced**. This prevents damage to health due to the fumes and smoke produced when heating for the first time.

1. Heating the heating rods for the first time
  - a. Select the highest possible temperature on the sauna control unit.
  - b. Heat up the sauna heater for half an hour.  
**Do NOT remain in the sauna cabin during this period.**
2. Heating the evaporator for the first time
  - a. Select a low temperature and high humidity on the sauna control unit.
  - b. Heat up the evaporator with half the amount of water (see page 20)  
**Do NOT remain in the sauna cabin during this period.**
  - c. Switch off the sauna control unit after approx. 15 minutes.
  - d. Allow the evaporator to cool (for approx. half an hour).
  - e. Empty the water tank (see ***Filling the evaporator*** on page 20)
  - f. Repeat step 2.b.
  - g. Allow the sauna cabin to ventilate thoroughly after heating for the first time.
  - h. If no smoke or odours form the next time the sauna heater is heated, you can start to use the sauna.  
If smoke or odour is produced again, leave the sauna cabin immediately and repeat the initial heating up process followed by ventilation.

## 6. Operation

---

**WARNING!*****Risk of fire***

Combustible objects that are placed on the heater will ignite and cause fires.

- NEVER place combustible objects on the sauna heater.
  - Make sure that NO flammable objects have been placed on the heater before operating it.
- 

A sauna control unit is used to operate the sauna heater. For information on how to operate the sauna control unit, read the operating instructions for the device used. Please note that only sauna control units without a remote start function are permitted for use with the Concept R combi sauna heater.

---



With the optional safety shutdown feature (CP-R-SWL), the Concept R combi sauna heater is also suitable for sauna control units WITH a remote start function.

---

### 6.1. Finnish sauna mode

In Finnish sauna mode, only the heating system operates. Dry heat is produced. The temperature in the cabin is high (80 to 100 °C). The maximum humidity level of 10% is low. The temperature in the sauna cabin is regulated by your sauna control unit.

At the end of the sauna session, you can pour an infusion of water over the stones. Pour water over the stones using a sauna ladle. The water evaporates and the humidity in the sauna cabin increases.

When pouring water over the stones, observe the following points:

- Only use tap water. Sea water, hard water and chlorinated water can damage the sauna heater.
- Only use fragrances and essential oils that are suitable for use in saunas. Follow the manufacturer's instructions on the packaging of the scented substance.
- Do not pour the water onto the stones too quickly. Only this way will all the water evaporate completely.

## 6.2. Combi mode

Both the heating system and evaporator operate in combi mode. The temperature in the sauna cabin is lower than in Finnish sauna mode (approx. 40 to 65 °C), with the relative humidity being considerably higher at 35% to approximately 70%. The maximum permissible relative humidity decreases with increasing temperature. The temperature and the humidity in the sauna cabin are controlled by your sauna control unit.

The evaporator tank must be filled manually. If the water in the evaporator tank has been used up, an overheating protection function automatically turns off the heating of the evaporator. The lack of water is reported to the sauna control unit and displayed there, e.g. by an audible warning tone and the message "FILL".

EN



The Auto Refill Set (CP-RC-AF) allows for a fixed water connection, making it possible to fill the evaporator tank automatically.

### ATTENTION!

#### ***Damage to the evaporator***

Sea water, hard water, chlorinated water, herbs, essences or fragrances can damage the sauna heater.

- Only fill the evaporator tank with tap water.
- Do not put herbs, essences or fragrances directly into the evaporator tank, and only into the ceramic bowl over the evaporator.
- Descale the evaporator regularly (see **7.6.** on page **24**).

## Filling the evaporator



### CAUTION!

#### *Risk of scalding*

If you pour water into the hot evaporator tank, hot steam is created.

- NEVER pour water into the hot evaporator tank.
- Check and fill the evaporator tank each time before starting combi mode.
- If the overheating protection has switched off evaporator heating, or if your sauna control unit reports a lack of water, allow the evaporator to cool down BEFORE you pour water into the evaporator tank.



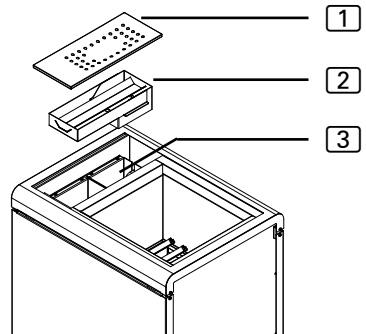
### CAUTION!

#### *Risk of scalding*

If the evaporator tank is too full, boiling water will spray out of the evaporator tank.

- Only fill the evaporator tank up to the maximum mark.

1. Remove the ceramic bowl [1] and the steam funnel [2].
2. Place a receptacle (at least 5 litres) under the ball valve at the bottom of the evaporator.
3. Turn the ball valve to the left until the remaining water flows out.
4. When the evaporator tank [3] is empty, close the ball valve.
5. Fill the evaporator tank [3] with fresh tap water up to the maximum mark. You will need about 5 litres of water for this. This amount of water allows the evaporator to be operated for approximately 1 hour.
6. Replace the ceramic bowl [1] and the steam funnel [2].





## Using fragrances and herbs

If you wish, you can put fragrances or dried herbs into the ceramic bowl. Observe the following points:

- Do not put fragrances directly into the evaporator tank.
- Carefully fill the ceramic bowl so that the fragrances do not drip into the evaporator tank through the holes in the ceramic bowl.
- Follow the manufacturer's instructions on the packaging of the herbs and fragrances.

## 7. Maintenance

### 7.1. Extended periods of non-use

Moisture can accumulate in the heating rods in humid ambient conditions or during long periods of non-use. This is a physical process and not a manufacturing fault. Accumulation of moisture in the heating rods can lead to the FI circuit breaker being triggered. In this case, contact an electrician to correct the fault (see chapter 8. **Problem-solving by the installer**).



Heat the sauna heater for approximately 15 minutes every 5 to 6 weeks. This prevents moisture from building up on the heating rods during extended periods of non-use.

### 7.2. Cleaning the sauna heater

Make sure that the ventilation openings are free of lint and dust. This prevents the air circulation in the sauna heater from being restricted and prevents the device from overheating.

### 7.3. Changing the sauna stones

Sauna stones are subject to stress by the water poured on them, and by large fluctuations in temperature which occur during use. The sauna stones can become weak and brittle.

Check the sauna stones at regular intervals and replace the stones at least once a year.



#### **WARNING!**

#### ***Risk of fire due to overheating***

If the sauna heater is used without sauna stones, the cabin walls will become extremely hot. This could cause fires.

- NEVER operate the sauna heater without the sauna stones.

1. Remove the old sauna stones.
2. Clear the stone container of limescale deposits, dust and other contamination.
3. Wash the stones thoroughly using water and a brush before use. Do not use any cleaning additives.
4. Before filling the heater with the sauna stones, check them for foreign objects and remove any remaining packaging.
5. Place the stones in the stone container. Stack the sauna stones loosely so that air can flow through the gaps.
6. Make sure that the sauna stones do not protrude beyond the edge of the stone container.

#### **7.4. Cleaning the evaporator tank**

Drain and clean the evaporator tank after each use. Perform the following steps:

1. Wait until the water in the evaporator has cooled.
2. Place a receptacle under the ball valve at the bottom of the evaporator.
3. Turn the ball valve to the left until the remaining water flows out.
4. When the evaporator tank is empty, close the ball valve.
5. Remove the ceramic bowl and the steam funnel.
6. Clean the evaporator tank and the steam funnel with a household brush with plastic bristles. Rinse with water.
7. Put the ceramic bowl and the steam funnel back in.

#### **7.5. Cleaning the ceramic bowl**

Clean the ceramic bowl for herbs and essences in the dishwasher as required.

## 7.6. Descaling the evaporator tank

Descale the evaporator tank as required. To do this, use a descaling agent for household appliances. Observe the specifications and safety information provided by the manufacturer.

1. Prepare the descaling solution according to the manufacturer's instructions.
2. Fill the evaporator with the descaling solution up to the maximum mark.
3. Allow the descaling solution to boil for 10 minutes.
4. Wait until the descaling solution in the evaporator has cooled.
5. Place a receptacle under the ball valve at the bottom of the evaporator and drain the evaporator tank.
6. Rinse the evaporator tank twice with tap water.

## 8. Problem-solving by the installer

### *Baking out of the heating rods*

Moisture can accumulate in the heating rods in humid ambient conditions or during long periods of non-use. This is a physical process and not a manufacturing fault. Under certain circumstances, accumulation of moisture in the heating rods can lead to the FI circuit breaker being triggered.

In this case, it is necessary to bake out the sauna heater under the supervision of an electrician. To do this, the protective function of the FI circuit breaker must be switched off. The baking out procedure takes approximately 10 minutes. The safety function of the FI circuit breaker must subsequently be reactivated.

If the problem persists, consult your supplier.

## 9. Disposal



- Please dispose of packaging materials in accordance with the applicable disposal regulations.
- Used appliances contain reusable materials as well as hazardous substances. Therefore, do not dispose of your used appliance with household waste, but rather do so in accordance with the locally applicable regulations.

## 10. Technical data

For the dimensions of the Concept R combi, refer to **Fig. 6**.

<i>Item number</i>	<i>Power rating of the heating system [kW]</i>	<i>Power rating of the evaporator [kW]</i>	<i>Cabin volume [m<sup>3</sup>]</i>	<i>Minimum size of ventilation opening [mm]</i>
CP-RCB-090	9.0	2.5	9 – 14	350 x 50
CP-RCB-105	10.5	2.5	10 – 15	350 x 60

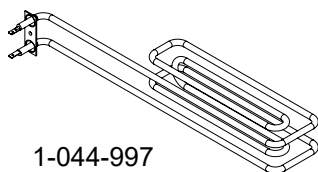
  

<i>Item number</i>	<i>Weight without stones [kg]</i>	<i>Stone weight [kg]</i>	<i>Fuse [A]</i>	<i>Supply voltage</i>
CP-RCB-090	34	approx. 25	3 x 16	400 VAC 3N~ 50/60 Hz  230 VAC 1N~ 50/60 Hz
CP-RCB-105	34	approx. 25	3 x 16	400 VAC 3N~ 50/60 Hz  230 VAC 1N~ 50/60 Hz

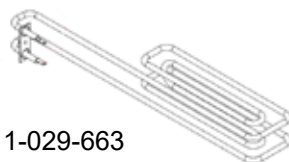
<i>Item number</i>	<i>Heating rods</i>
CP-RBC-090	6 x SCA150 (1-028-518)
CP-RBC-105	3 x SCA150 (1-028-518) / 3 x SCA200 (1-028-503)

### *Evaporator heating rods*

1 x 1-044-997 / 1-029-663 (old)



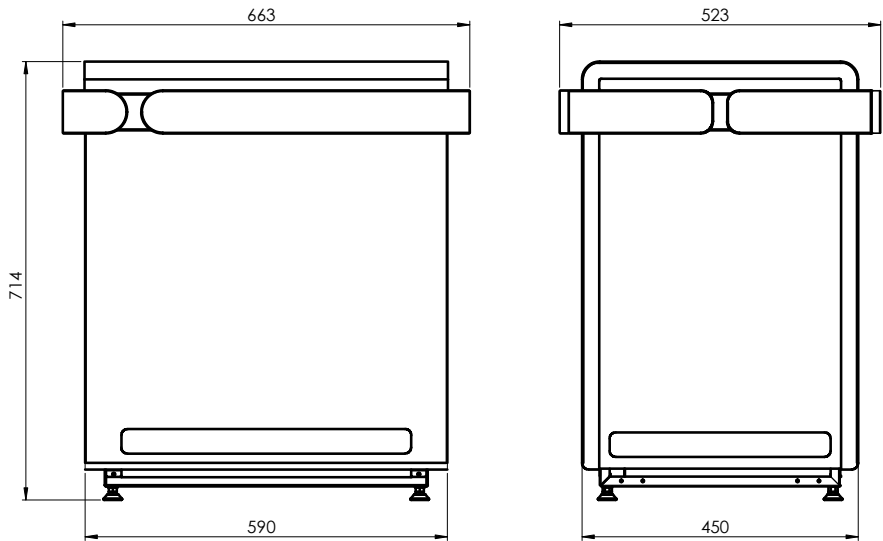
1-044-997



1-029-663

## 11. Dimensions

**Fig. 6** Dimensions of Concept R combi 9 kW and 10.5 kW



Dimensions in mm

EN



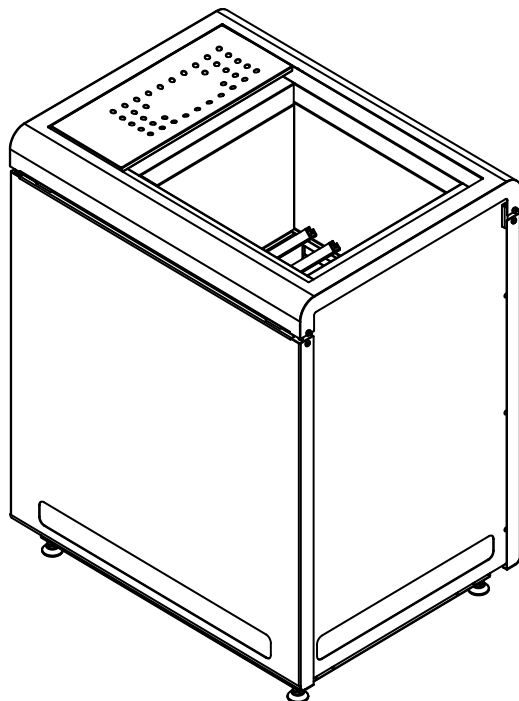
# Saunaofen

## Concept R combi black

CP-RCB-090 / 1-027-775: Concept R combi 9,0 kW

CP-RCB-105 / 1-027-776: Concept R combi 10,5 kW

### MONTAGE- UND GEBRAUCHSANWEISUNG Deutsch



DE

# Inhaltsverzeichnis

<b>1. Zu dieser Anleitung</b>	<b>4</b>
<b>2. Wichtige Hinweise zu Ihrer Sicherheit</b>	<b>5</b>
2.1. Bestimmungsgemäßer Gebrauch	5
2.2. Sicherheitshinweise für den Monteur	6
2.3. Sicherheitshinweise für den Anwender	7
<b>3. Produktbeschreibung</b>	<b>9</b>
3.1. Lieferumfang	9
3.2. Zubehör	9
3.3. Produktfunktionen	9
<b>4. Montage und Anschluss</b>	<b>10</b>
4.1. Aufstellort und Fühlerposition	10
4.2. Sicherheitsabstände	11
4.3. Höhe verstellen	11
4.4. Anschlussplan für 400V 3N~	12
4.5. Anschlussplan für 230V 1N~	13
4.6. Elektrischer Anschluss	14
<b>5. Inbetriebnahme</b>	<b>16</b>
5.1. Steinbehälter füllen	16
5.2. Keramikschale einsetzen	16
5.3. Erstmaliges Aufheizen	17
<b>6. Bedienung</b>	<b>18</b>
6.1. Finnischer Saunabetrieb	18
6.2. Kombi-Betrieb	19



<b>7. Wartung</b>	<b>21</b>
7.1. Längere Betriebspausen.....	21
7.2. Saunaofen reinigen.....	21
7.3. Saunasteine wechseln.....	21
7.4. Verdampferbehälter reinigen .....	22
7.5. Keramikschale reinigen.....	22
7.6. Verdampferbehälter entkalken.....	23
<b>8. Problemlösung durch den Monteur</b>	<b>23</b>
<b>9. Entsorgung</b>	<b>23</b>
<b>10. Technische Daten</b>	<b>24</b>
<b>11. Abmessungen</b>	<b>25</b>

# 1. Zu dieser Anleitung

Lesen Sie diese Montage- und Gebrauchsanweisung gut durch und bewahren Sie sie in der Nähe der Sauna auf. So können Sie jederzeit Informationen zu Ihrer Sicherheit und zur Bedienung nachlesen.



Sie finden diese Montage- und Gebrauchsanweisung auch im Downloadbereich unserer Webseite auf [www.sentiotec.com/downloads](http://www.sentiotec.com/downloads).

## **Symbole in Warnhinweisen**

In dieser Montage- und Gebrauchsanweisung ist vor Tätigkeiten, von denen eine Gefahr ausgeht, ein Warnhinweis angebracht. Befolgen Sie diese Warnhinweise unbedingt. So vermeiden Sie Sachschäden und Verletzungen, die im schlimmsten Fall sogar tödlich sein können.

In den Warnhinweisen werden Signalwörter verwendet, die folgende Bedeutungen haben:



### **GEFAHR!**

Wenn Sie diesen Warnhinweis nicht beachten, sind Tod oder schwere Verletzungen die Folge.



### **WARNUNG!**

Wenn Sie diesen Warnhinweis nicht beachten, können Tod oder schwere Verletzungen die Folge sein.



### **VORSICHT!**

Wenn Sie diesen Warnhinweis nicht befolgen, können leichte Verletzungen die Folge sein.

## **ACHTUNG!**

Dieses Signalwort warnt Sie vor Sachschäden.

## **Andere Symbole**



Dieses Symbol kennzeichnet Tipps und nützliche Hinweise.



Nicht abdecken!



Bedienungsanleitung lesen

## 2. Wichtige Hinweise zu Ihrer Sicherheit

Der Saunaofen Concept R combi ist nach anerkannten sicherheitstechnischen Regeln gebaut. Dennoch können bei der Verwendung Gefahren entstehen. Befolgen Sie deshalb die folgenden Sicherheitshinweise und die speziellen Warnhinweise in den einzelnen Kapiteln.

### 2.1. Bestimmungsgemäßer Gebrauch

Der Concept R combi ist ein Saunaofen mit integriertem Verdampfer. Der Concept R combi darf nur zur Erwärmung von Saunakabinen und zur Erhöhung der Luftfeuchtigkeit in der Saunakabine verwendet werden. Der Concept R combi darf nur in Kombination mit einer Saunasteuerung ohne Fernstartfunktion verwendet werden.

Nur in Kombination mit der optional erhältlichen Sicherheitsabschaltung (CP-R-SWL) darf der Saunaofen Concept R combi auch mit einer Saunasteuerung, die über eine Fernstartfunktion verfügt, betrieben werden.

Nur in Kombination mit der optional erhältlichen Sicherheitsabschaltung (CP-R-SWL) darf der Saunaofen Concept R combi auch in öffentlichen Saunen eingesetzt werden.

Jeder darüber hinausgehende Gebrauch gilt als nicht bestimmungsgemäß. Nicht bestimmungsgemäßer Gebrauch kann zur Beschädigung des Produkts, zu schweren Verletzungen oder Tod führen.

## 2.2. Sicherheitshinweise für den Monteur

- Montage- und Anschlussarbeiten am Saunaofen dürfen nur im spannungsfreien Zustand durchgeführt werden.
- Die Montage darf nur durch eine Elektrofachkraft oder eine vergleichsweise qualifizierte Person ausgeführt werden.
- Es ist bauseits eine allpolige Trennvorrichtung mit voller Abschaltung entsprechend der Überspannungskategorie III vorzusehen.
- Verwenden Sie zum Anschluss des Saunaofens ausschließlich bis 150 °C temperaturbeständige Silikonleitungen.
- Installieren Sie nur einen Saunaofen in der Kabine. Der Saunaofen Concept R combi darf nicht gemeinsam mit anderen Saunanöfen in einer Saunakabine verwendet werden.
- Decken und Wände der Saunakabine sind aus harzarmen, unbehandelten oder thermisch behandelten Hölzern, z.B. nordischer Fichte, Hemlock, Kiefer oder Tanne, oder aus Holzlagen-Werkstoffen herzustellen. Bei Verwendung von Holzlagen-Werkstoffen ist darauf zu achten, dass deren Klebstoffe kein Formaldehyd abgeben. Werden andere Werkstoffe als Holz in der Saunakabine eingesetzt, müssen diese Materialien hitze- und korrosionsbeständig sein und dürfen keine negativen Auswirkungen auf die Gesundheit der Saunagäste haben.
- Die Höhe der Saunakabine muss mindestens 2,0 m betragen.
- Beachten Sie die Vorgaben zum Volumen und zur Belüftung der Saunakabine in Kapitel **10. Technische Daten** auf Seite **24**.
- Beachten Sie beim Aufstellen des Saunaofens die minimalen Sicherheitsabstände (siehe Kapitel **4.2. Sicherheitsabstände** auf Seite **11**).
- Beachten Sie auch die örtlichen Bestimmungen am Aufstellort.
- Bei Problemen, die in den Montageanweisungen nicht ausführlich genug behandelt werden, wenden Sie sich zu Ihrer eigenen Sicherheit an Ihren Lieferanten.

### 2.3. Sicherheitshinweise für den Anwender

- Das Gerät darf nicht von Kindern unter 8 Jahren verwendet werden.
- Das Gerät darf von Kindern über 8 Jahren, von Personen mit verringerten psychischen, sensorischen oder mentalen Fähigkeiten und von Personen mit Mangel an Erfahrung und Wissen unter folgenden Bedingungen verwendet werden:
  - wenn sie beaufsichtigt werden.
  - wenn ihnen die sichere Verwendung gezeigt wurde und sie die Gefahren, die entstehen können, verstehen.
- Kinder dürfen nicht mit dem Gerät spielen.
- Kinder unter 14 Jahren dürfen das Gerät nur reinigen, wenn sie beaufsichtigt werden.
- Wenn Sie unter dem Einfluss von Alkohol, Medikamenten oder Drogen stehen, verzichten Sie aus gesundheitlichen Gründen auf das Saunabad.
- Nehmen Sie den Saunaofen niemals ohne Saunasteine in Betrieb, da dies Brände verursachen kann.
- Heizen Sie VOR dem ersten Saunabad den Saunaofen und den Verdampfer für eine halbe Stunde auf. Halten Sie sich während dieser Zeit NICHT in der Saunakabine auf. Lüften Sie anschließend die Saunakabine gut durch (siehe **5.3. Erstmaliges Aufheizen** auf Seite **17**).
- Stellen Sie sicher, dass keine brennbaren Gegenstände auf dem Saunaofen liegen, bevor Sie die Saunasteuerung einschalten.

- Berühren Sie niemals den Saunaofen während des Betriebs. Die Oberfläche des Saunaofens und die Saunasteine werden sehr heiß.
- Gießen Sie NIEMALS Wasser in den heißen Verdampferbehälter. Kontrollieren und befüllen Sie den Verdampferbehälter jedesmal bevor Sie den Kombi-Betrieb starten. Wenn der Überhitzungsschutz die Heizung des Verdampfers abgeschaltet hat oder Ihre Saunasteuerung einen Wassermangel meldet, lassen Sie den Verdampfer abkühlen BEVOR Sie Wasser in den Verdampferbehälter gießen.
- Bei Problemen, die in der Gebrauchsanweisung nicht ausführlich genug behandelt werden, wenden Sie sich zu Ihrer eigenen Sicherheit an Ihren Lieferanten.

## 3. Produktbeschreibung

### 3.1. Lieferumfang

- Saunaofen
- Montage- und Gebrauchsanweisung
- Keramikschale für Kräuter und Duftstoffe

### 3.2. Zubehör

Zubehör	Artikelnummer
Auto-Refill-Set	CP-RC-AF
Sicherheitsabschaltung	CP-R-SWL
Halterungsset für Ofenreling	CP-R-HSR
LINDE Holzreling groß	CP-R-L2
WALNUSS Holzreling groß	CP-R-N2
Emotion Relingset LINDE groß	CPR-EMO-L2
Emotion Relingset WALNUSS groß	CPR-EMO-N2

DE

### 3.3. Produktfunktionen

Der Saunaofen Concept R combi ist ein Kombiofen. Folgende Betriebsarten sind möglich:

- **Finnischer Saunabetrieb:** üblicherweise 80 bis 100 °C; ca. 10 % rel. Luftfeuchte
- **Kombi-Betrieb** (nur in Kombination mit einer Kombi-Steuerung): ca. 40 bis 65 C, 35 % bis ca. 70 % Luftfeuchte. Die maximal zulässige Luftfeuchte sinkt mit steigender Temperatur.

Wenn Sie es wünschen, können Sie im Kombi-Betrieb Duftstoffe oder getrocknete Kräuter in die Keramikschale über dem Verdampfer geben. Der aufsteigende Dampf löst ätherische Öle aus den Kräutern bzw. verteilt die Duftstoffe in der Saunakabine.

## 4. Montage und Anschluss

Berücksichtigen Sie folgende Punkte beim Aufstellen und beim Anschluss des Saunaofens:



### WARNUNG!

#### *Stromschlag-Gefahr*

- Führen Sie Montage- und Anschlussarbeiten am Saunaofen nur im spannungsfreien Zustand durch.
- 

- Der elektrische Anschluss darf nur durch eine Elektrofachkraft oder eine vergleichsweise qualifizierte Person ausgeführt werden.
- Es ist bauseits eine allpolige Trennvorrichtung mit voller Abschaltung entsprechend der Überspannungskategorie III vorzusehen.
- Der Saunaofen Concept R combi ist ein Standofen. Eine Befestigung am Boden oder an der Saunawand ist nicht notwendig.
- Platzieren Sie den Saunaofen nicht auf einem Boden aus einem leicht brennbarem Material wie Holz oder Kunststoff. Geeignete Bodenbeläge sind z.B. Keramikfliesen.

### 4.1. Aufstellort und Fühlerposition

Stellen Sie den Ofen mittig vor die Lufteintrittsöffnung in der Kabinenwand. Halten Sie dabei die in **Abb.1** angegebenen Sicherheitsabstände zur Kabinenwand ein.

Montieren Sie den Temperaturfühler mit Übertemperatur-Sicherung an der Kabinenwand oberhalb der Mitte des Saunaofens. Halten Sie einen Abstand von 15 cm zur Kabinendecke ein.



Wenn für ausreichende Belüftung gesorgt wird, kann der Saunaofen Concept R auch freistehend aufgestellt werden. Montieren Sie in diesem Fall den Temperaturfühler an der Kabinendecke über der Ofenmitte.

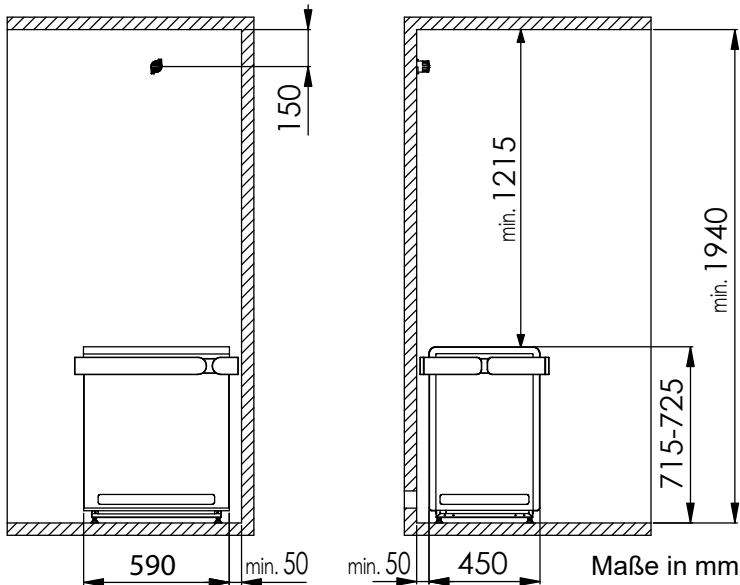
---



## 4.2. Sicherheitsabstände

Beachten Sie die in der **Abb.1** angegebenen minimalen Sicherheitsabstände.

**Abb.1** Sicherheitsabstände Concept R combi 9 kW und 10,5 kW  
(CP-RCB-090 / CP-RCB-105)

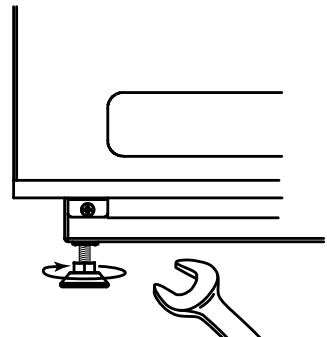


DE

## 4.3. Höhe verstellen

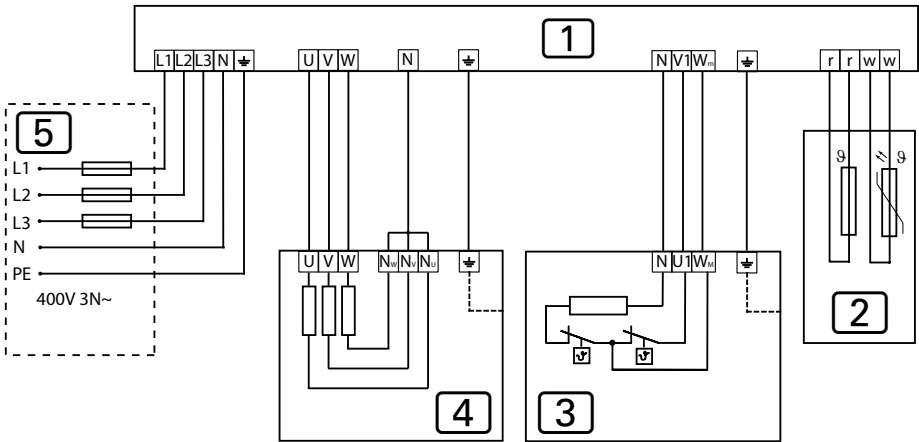
Der Saunaofen Concept R combi verfügt über höhenverstellbare Standfüße. Dadurch kann die Höhe des Saunaofens von 715 mm bis 725 mm eingestellt werden. Da die Höhe jedes Standfußes individuell eingestellt werden kann, ist eine Anpassung an nicht ebene Böden möglich.

1. Lösen Sie den Standfuß des Saunaofens mit einem Gabelschlüssel (13 mm).
2. Heben Sie den Saunaofen leicht an und drehen Sie den Fuß nach rechts, um die Höhe zu verringern. Drehen Sie nach links, um die Höhe zu vergrößern.
3. Ziehen Sie den Standfuß mit dem Gabelschlüssel wieder fest.



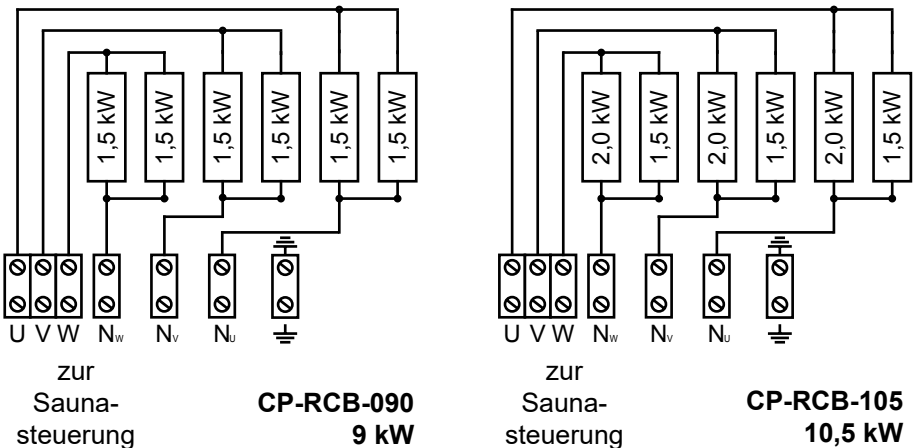
### 4.4. Anschlussplan für 400V 3N~

**Abb.2** Anschlussplan Concept R combi 9 kW und 10,5 kW



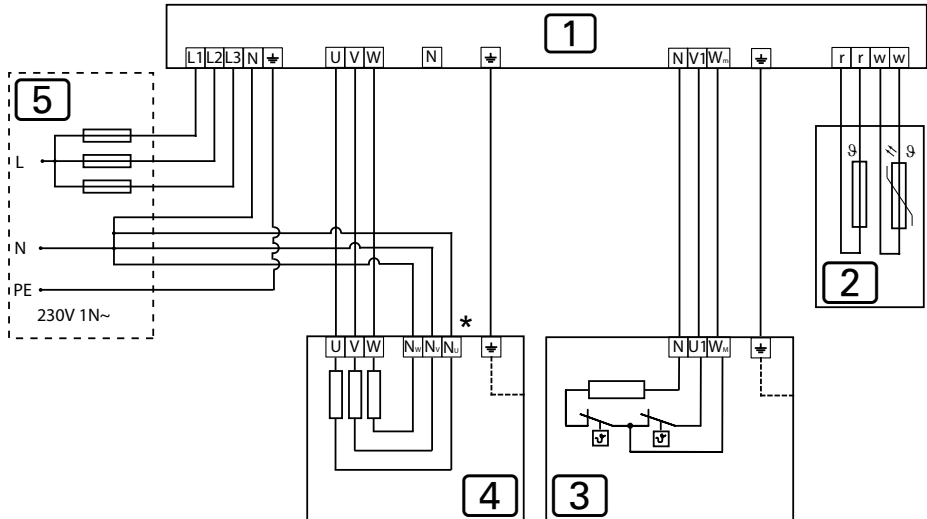
- 1 Saunasteuerung
- 2 Temperaturfühler mit Übertemperatur-Sicherung
- 3 Verdampfer
- 4 Heizsystem
- 5 Stromversorgung

**Abb.3** Verdrahtungsschemen - Heizsystem

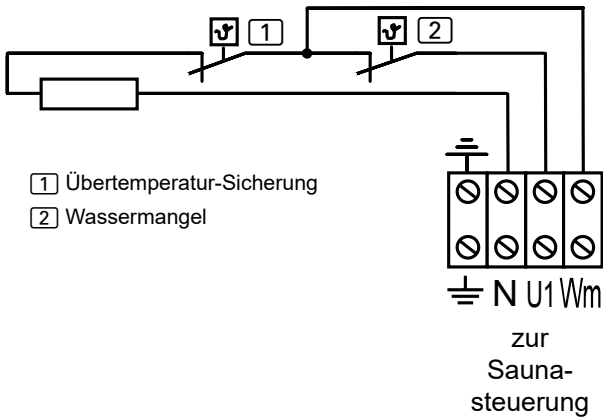


### 4.5. Anschlussplan für 230V 1N~

**Abb.4** Anschlussplan Concept R combi 9 kW und 10,5 kW

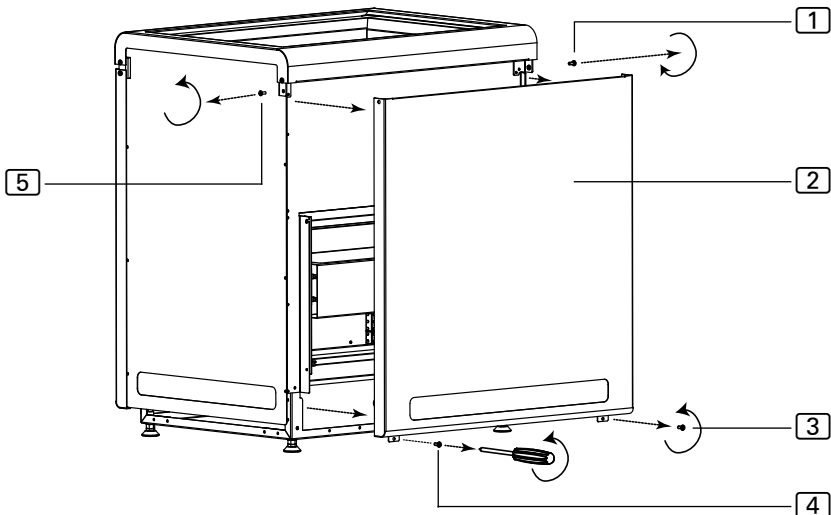


- 1 Saunasteuerung
- 2 Temperaturfühler mit Übertemperatur-Sicherung
- 3 Verdampfer
- 4 Heizsystem
- 5 Stromversorgung
- \* Kupfer-Brücke entfernen

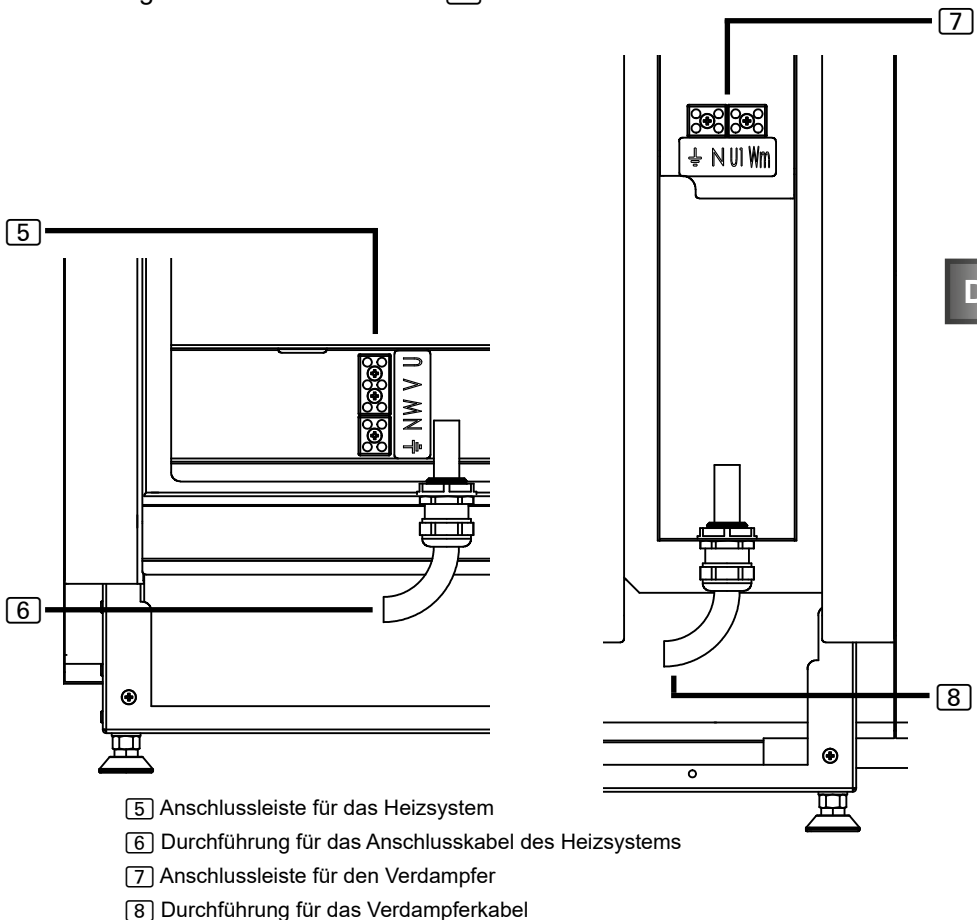
**Abb.5** Verdrahtungsschema - Verdampfer

#### 4.6. Elektrischer Anschluss

1. Lösen Sie die Schrauben **3** und **4** mit einem Schraubendreher.
2. Lösen Sie die Schrauben **1** und **5** mit einem Schraubendreher.
3. Entfernen Sie das Abdeckblech **2**.



4. Führen Sie das Anschlusskabel des Heizsystems durch die Durchführung [6].
5. Schließen Sie die Adern dieses Anschlusskabels an den Klemmen U – V – W – N – PE an der Anschlussleiste [5] und an den passenden Klemmen der Saunasteuerung an. Beachten Sie dabei die Montageanleitung der Saunasteuerung.
6. Führen Sie das Verdampferkabel durch die Durchführung [8].
7. Schließen Sie die Adern des Verdampferkabels an den Klemmen PE – N – U1 – Wm an der Anschlussleiste [7] und an den passenden Klemmen der Saunasteuerung an. Beachten Sie dabei die Montageanleitung der Saunasteuerung.
8. Befestigen Sie das Abdeckblech [2] wieder am Saunaofen.



## 5. Inbetriebnahme

### 5.1. Steinbehälter füllen

**WARNUNG!*****Brandgefahr durch Überhitzung***

Wird der Saunaofen ohne Saunasteine verwendet, erhitzen sich die Kabinenwände stark. Dadurch können Brände verursacht werden.

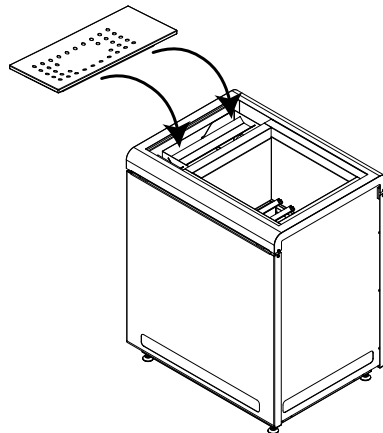
- Nehmen Sie den Saunaofen **NIEMALS** ohne Saunasteine in Betrieb.

Die für Ihre Ofenleistung passende Steinmenge finden Sie im Kapitel **10. Technische Daten** (siehe Seite **24**).

1. Waschen Sie die Saunasteine vor der Verwendung gründlich mit Bürste und Wasser. Verwenden Sie keine Reinigungszusätze.
2. Prüfen Sie die Steine vor dem Einfüllen in den Saunaofen auf Fremdkörper und entfernen Sie Verpackungsreste.
3. Legen Sie die Saunasteine in den Steinbehälter. Schichten Sie die Saunasteine locker, damit Luft durch die Zwischenräume strömen kann.
4. Achten Sie darauf, dass die Saunasteine nicht über den Rand des Steinbehälters ragen.

### 5.2. Keramikschale einsetzen

- Setzen Sie die Keramikschale auf den Verdampferbehälter - wie in der Abbildung rechts gezeigt.



### 5.3. Erstmaliges Aufheizen



#### **VORSICHT!**

#### ***Rauch- und Geruchsbildung beim ersten Aufheizen***

Auf neuen Heizstäben befinden sich Betriebsstoffe aus dem Fertigungsprozess. Diese zersetzen sich beim ersten Aufheizen des Saunaofens. Dabei entsteht Rauch und unangenehmer Geruch. Wenn Sie diese Dämpfe oder den Rauch einatmen, schadet dies Ihrer Gesundheit.

Führen Sie folgende Schritte durch, wenn Sie Ihren Saunaofen **erstmalig in Betrieb** nehmen und wenn die **Heizstäbe Ihres Saunaofens getauscht** wurden. Sie verhindern so Gesundheitsschäden durch Dämpfe und Rauch, die beim ersten Aufheizen entstehen.

1. Heizstäbe erstmalig aufheizen
  - a. Wählen Sie an der Saunasteuerung die höchst mögliche Temperatur.
  - b. Heizen Sie den Saunaofen für eine halbe Stunde auf.  
**Halten Sie sich während dieser Zeit NICHT in der Saunakabine auf.**
2. Verdampfer erstmalig aufheizen
  - a. Wählen Sie an der Saunasteuerung eine niedrige Temperatur und eine hohe Luftfeuchte.
  - b. Heizen Sie den Verdampfer mit halber Wassermenge auf (siehe Seite **20**)  
**Halten Sie sich während dieser Zeit NICHT in der Saunakabine auf.**
  - c. Nach ca. 15 Minuten schalten Sie die Saunasteuerung aus.
  - d. Lassen Sie den Verdampfer abkühlen (ca. eine halbe Stunde).
  - e. Entleeren Sie den Wassertank (siehe **Verdampfer befüllen** auf Seite **20**)
  - f. Wiederholen Sie Punkt 2.b.
  - g. Lüften Sie nach dem ersten Aufheizen die Saunakabine gut durch.
  - h. Wenn beim nächsten Aufheizen kein Rauch und kein Geruch mehr entstehen, können Sie mit dem ersten Saunabad beginnen.  
Wenn erneut Rauch oder Geruch entsteht, verlassen Sie sofort die Saunakabine und wiederholen Sie das erstmalige Aufheizen mit anschließendem Lüften.

## 6. Bedienung

---



### **WARNUNG!**

#### **Brandgefahr**

Brennbare Gegenstände, die auf dem heißen Saunaofen liegen, entzünden sich und verursachen Brände.

- Legen Sie **NIEMALS** brennbare Gegenstände auf den Saunaofen.
  - Stellen Sie sicher, dass **KEINE** brennbaren Gegenstände auf dem Saunaofen liegen, bevor Sie den Saunaofen in Betrieb nehmen.
- 

Die Bedienung des Saunaofens erfolgt über eine Saunasteuerung. Für Informationen zur Bedienung der Saunasteuerung lesen Sie die Bedienungsanleitung des verwendeten Geräts. Beachten Sie, dass der Saunaofen Concept R combi nur für Saunasteuerungen ohne Fernstartfunktion geeignet ist.



Mit der optional erhältlichen Sicherheitsabschaltung (CP-R-SWL) ist der Saunaofen Concept R combi auch für Saunasteuerungen MIT Fernstartfunktion geeignet.

---

### 6.1. Finnischer Saunabetrieb

Beim finnischen Saunabetrieb ist nur das Heizsystem im Betrieb. Es steht trockene Wärme zur Verfügung. Die Temperatur in der Kabine ist hoch (80 bis 100 °C). Die Feuchtwerte sind mit maximal 10 % gering. Die Temperatur in der Saunakabine wird durch Ihre Saunasteuerung geregelt.

Am Ende des Saunaganges können Sie einen Aufguss durchführen. Gießen Sie dazu Wasser mit einer Saunakelle über die Saunasteine. Dadurch wird das Wasser verdampft und die Luftfeuchtigkeit in der Saunakabine erhöht.

Beachten sie beim Aufguss folgende Punkte:

- Verwenden Sie zum Aufgießen nur Leitungswasser. Meerwasser, stark kalkhaltiges und chloriertes Wasser können den Saunaofen beschädigen.
- Verwenden Sie nur Duftstoffe und ätherische Öle, die ausdrücklich für die Verwendung als Aufgussmittel in Saunen geeignet sind. Beachten Sie die Herstellerangaben auf der Verpackung der Aufgussmittel.
- Gießen Sie das Wasser nicht zu schnell über die Saunasteine. Nur dann wird das Aufgusswasser vollständig verdampft.



## 6.2. Kombi-Betrieb

Im Kombi-Betrieb sind das Heizsystem und der Verdampfer im Betrieb. Die Temperatur in der Saunakabine ist niedriger als im finnischen Saunabetrieb (ca. 40 bis 65 °C), dafür ist die relative Luftfeuchte mit 35 % bis ungefähr 70 % wesentlich höher. Die maximal zulässige Luftfeuchte sinkt mit steigender Temperatur. Die Temperatur und die Luftfeuchte in der Saunakabine werden durch Ihre Saunasteuerung geregelt.

Der Verdampferbehälter muss händisch befüllt werden. Wenn der Wasservorrat im Verdampferbehälter aufgebraucht ist, schaltet ein Überhitzungsschutz die Heizung des Verdampfers automatisch aus. Der Wassermangel wird an die Saunasteuerung gemeldet und wird dort angezeigt, z.B. durch einen akustischen Warnton und die Meldung "FILL".



---

Mit dem Auto-Refill-Set (CP-RC-AF) ist ein Festwasseranschluss und damit eine automatische Befüllung des Verdampferbehälters möglich.

---

### ACHTUNG!

#### ***Beschädigung des Verdampfers***

Meerwasser, stark kalkhaltiges und chloriertes Wasser, Kräuter, Essenzens oder Duftstoffe können den Verdampfer beschädigen.

- Befüllen Sie den Verdampferbehälter nur mit Leitungswasser.
  - Geben Sie Kräuter, Essenzen oder Duftstoffe nicht direkt in den Verdampferbehälter, sondern nur in die Keramikschale über dem Verdampfer.
  - Entkalken Sie den Verdampfer regelmäßig (siehe **7.6.** auf Seite **Seite 24**).
-

**Verdampfer befüllen****VORSICHT!****Verbrühungsgefahr**

Wenn Sie Wasser in den heißen Verdampferbehälter gießen, entsteht heißer Dampf.

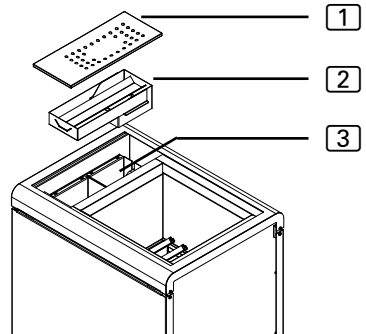
- Gießen Sie NIEMALS Wasser in den heißen Verdampferbehälter.
- Kontrollieren und befüllen Sie den Verdampferbehälter jedesmal bevor Sie den Kombi-Betrieb starten.
- Wenn der Überhitzungsschutz die Heizung des Verdampfers abgeschaltet hat oder Ihre Saunasteuerung einen Wassermangel meldet, lassen Sie den Verdampfer abkühlen BEVOR Sie Wasser in den Verdampferbehälter gießen.

**VORSICHT!****Verbrühungsgefahr**

Wenn der Verdampferbehälter zu voll ist, spritzt kochendes Wasser aus dem Verdampferbehälter.

- Befüllen Sie den Verdampferbehälter nur bis zur Maximalmarke.

1. Entfernen Sie die Keramikschale **1** und den Dampftrichter **2**.
2. Stellen Sie ein Auffanggefäß (mindestens 5 Liter) unter den Kugelhahn am Verdampferboden.
3. Drehen Sie den Kugelhahn nach links bis das Restwasser ausfließt.
4. Wenn der Verdampferbehälter **3** leer ist, schließen Sie den Kugelhahn.
5. Befüllen Sie den Verdampferbehälter **3** mit frischem Leitungswasser bis zur Maximalmarke. Dazu benötigen Sie etwa 5 Liter Wasser. Mit dieser Wassermenge kann der Verdampfer ungefähr 1 Stunde betrieben werden.
6. Setzen Sie die Keramikschale **1** und den Dampftrichter **2** wieder ein.



## **Verwendung von Duftstoffen und Kräutern**

Wenn Sie es wünschen, können Sie Duftstoffe oder getrocknete Kräuter in die Keramikschale geben. Beachten Sie dabei folgende Punkte:

- Geben Sie Duftstoffe nicht direkt in den Verdampferbehälter.
- Befüllen Sie die Keramikschale vorsichtig, damit die Duftstoffe nicht durch die Löcher der Keramikschale in den Verdampferbehälter tropfen.
- Beachten Sie die Herstellerangaben auf der Verpackung der Kräuter und Duftstoffe.

## **7. Wartung**

### **7.1. Längere Betriebspausen**

Bei feuchten Umgebungsbedingungen oder langen Betriebspausen reichert sich Feuchtigkeit in den Heizstäben an. Dies ist ein physikalischer Vorgang und kein Fehler des Herstellers. Die Feuchtigkeit in den Heizstäben kann zum Auslösen des FI-Schutzschalters führen. Verständigen Sie in diesem Fall zur Fehlerbehebung eine Elektrofachkraft (siehe Kapitel **8. Problemlösung durch den Monteur**).



Heizen Sie den Saunaofen alle 5 bis 6 Wochen für ca. 15 Minuten auf. So verhindern Sie, dass sich bei längeren Betriebspausen Wasser in den Heizstäben anreichert.

DE

### **7.2. Saunaofen reinigen**

Achten Sie darauf, dass die Belüftungsöffnungen frei von Flusen und Staub sind. So verhindern Sie, dass die Luftzirkulation im Saunaofen eingeschränkt wird und das Gerät überhitzt.

### **7.3. Saunasteine wechseln**

Saunasteine werden durch Aufgussmittel und große Temperaturunterschiede, die bei der Benutzung auftreten, beansprucht. Die Saunasteine können angegriffen und brüchig werden.

Überprüfen Sie die Saunasteine in regelmäßigen Abständen und tauschen Sie die Steine mindestens einmal jährlich.



#### **WARNUNG!**

#### **Brandgefahr durch Überhitzung**

Wird der Saunaofen ohne Saunasteine verwendet, erhitzen sich die Kabinenwände stark. Dadurch können Brände verursacht werden.

- Nehmen Sie den Saunaofen NIEMALS ohne Saunasteine in Betrieb.

1. Entfernen Sie die alten Saunasteine.
2. Befreien Sie den Steinbehälter von Kalkrückständen, Staub und anderen Verunreinigungen.
3. Waschen Sie die Saunasteine vor der Verwendung gründlich mit Bürste und Wasser. Verwenden Sie keine Reinigungszusätze.
4. Prüfen Sie die Steine vor dem Einfüllen in den Saunaofen auf Fremdkörper und entfernen Sie Verpackungsreste.
5. Legen Sie die Saunasteine in den Steinbehälter. Schichten Sie die Saunasteine locker, damit Luft durch die Zwischenräume strömen kann.
6. Achten Sie darauf, dass die Saunasteine nicht über den Rand des Steinbehälters ragen.

#### **7.4. Verdampferbehälter reinigen**

Entleeren und reinigen Sie den Verdampferbehälter nach jedem Gebrauch. Führen Sie dazu folgende Schritte durch:

1. Warten Sie bis das Wasser im Verdampfer abgekühlt ist.
2. Stellen Sie ein Auffanggefäß unter den Kugelhahn am Verdampferboden.
3. Drehen Sie den Kugelhahn nach links bis das Restwasser ausfließt.
4. Wenn der Verdampferbehälter leer ist, schließen Sie den Kugelhahn.
5. Entfernen Sie die Keramikschale und den Dampftrichter.
6. Reinigen Sie den Verdampferbehälter und den Dampftrichter mit einer Haushaltsbürste mit Kunststoffborsten. Spülen Sie mit Wasser nach.
7. Setzen Sie die Keramikschale und den Dampftrichter wieder ein.

#### **7.5. Keramikschale reinigen**

Reinigen Sie die Keramikschale für Kräuter und Essenzen nach Bedarf in der Geschirrspülmaschine.

## 7.6. Verdampferbehälter entkalken

Entkalken Sie den Verdampferbehälter nach Bedarf. Verwenden Sie dazu ein Entkalkungsmittel für Haushaltsgeräte. Beachten Sie dabei die Vorgaben und Sicherheitshinweise des Herstellers.

1. Bereiten Sie die Entkalkungslösung nach den Herstellerangaben.
2. Befüllen Sie den Verdampfer mit der Entkalkungslösung bis zur Maximalmarke.
3. Lassen Sie die Entkalkungslösung 10 Minuten kochen.
4. Warten Sie bis die Entkalkungslösung im Verdampfer abgekühlt ist.
5. Stellen Sie ein Auffanggefäß unter den Kugelhahn am Verdampferboden und leeren Sie den Verdampferbehälter.
6. Spülen Sie den Verdampferbehälter 2 mal mit Leitungswasser.

## 8. Problemlösung durch den Monteur

### *Heizstäbe ausheizen*

Bei feuchten Umgebungsbedingungen oder langen Betriebspausen kann es zu einer Anreicherung von Feuchtigkeit in den Heizstäben kommen. Dies ist ein physikalischer Vorgang und kein Fehler des Herstellers. Die Feuchtigkeit in den Heizstäben kann unter Umständen zum Auslösen des FI-Schutzschalters führen.

In diesem Fall ist es notwendig, den Saunaofen unter Aufsicht einer Elektrofachkraft auszuheizen. Dabei muss die Schutzfunktion des FI-Schalters außer Kraft gesetzt werden. Der Ausheizvorgang nimmt ca. 10 Minuten in Anspruch. Danach muss die Sicherungsfunktion des FI-Schalters wiederhergestellt werden.

Sollte das Problem weiterhin bestehen, wenden Sie sich an Ihren Lieferanten.

DE

## 9. Entsorgung



- Entsorgen Sie die Verpackungsmaterialien nach den gültigen Entsorgungsrichtlinien.
- Altgeräte enthalten wiederverwendbare Materialien, aber auch schädliche Stoffe. Geben Sie Ihr Altgerät deshalb auf keinen Fall in den Restmüll, sondern entsorgen Sie das Gerät nach den örtlich geltenden Vorschriften.

## 10. Technische Daten

Die Abmessungen des Concept R combi entnehmen Sie der **Abb.5**.

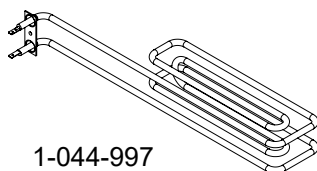
Artikelnummer	Leistung Heizsystem [kW]	Leistung Verdampfer [kW]	Kabinenvolumen [m <sup>3</sup> ]	Mindestgröße Belüftungsöffnung [mm]
CP-RCB-090	9,0	2,5	9 - 14	350 x 50
CP-RCB-105	10,5	2,5	10 - 15	350 x 60

Artikelnummer	Gewicht ohne Steine [kg]	Steinmenge [kg]	Ab-sicherung [A]	Versorgung
CP-RCB-090	34	ca. 25	3 x 16	400 VAC 3N~ 50/60 Hz  230 VAC 1N~ 50/60 Hz
CP-RCB-105	34	ca. 25	3 x 16	400 VAC 3N~ 50/60 Hz  230 VAC 1N~ 50/60 Hz

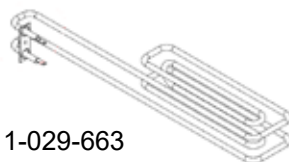
Artikelnummer	Heizstäbe
CP-RBC-090	6 x SCA150 (1-028-518)
CP-RBC-105	3 x SCA150 (1-028-518) / 3 x SCA200 (1-028-503)

### Zusatzverdampfer Heizstäbe

1 x 1-044-997 / 1-029-663 (alt)



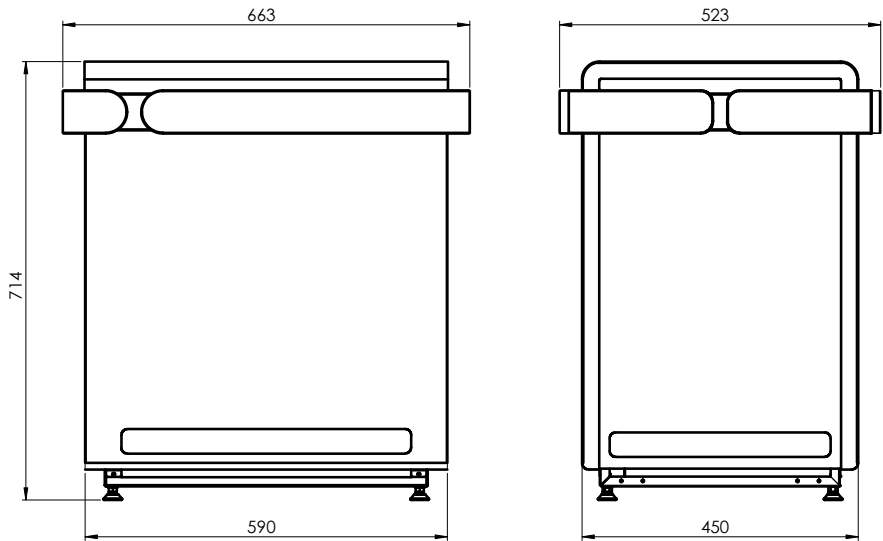
1-044-997



1-029-663

## 11. Abmessungen

**Abb.6** Abmessungen Concept R combi 9 kW und 10,5 kW



Maße in mm

DE





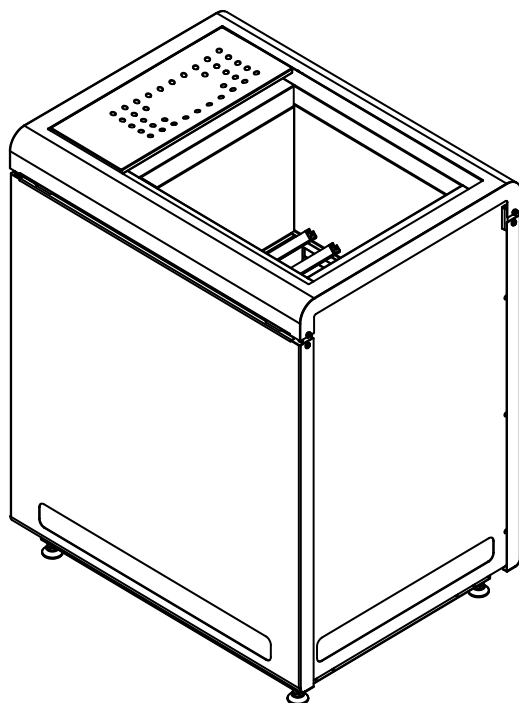
# Poêle de sauna

## Concept R combi black

CP-RCB-090 / 1-027-775 : Concept R combi 9,0 kW

CP-RCB-105 / 1-027-776 : Concept R combi 10,5 kW

### INSTRUCTIONS DE MONTAGE ET MODE D'EMPLOI Français



FR

# Table des matières

<b>1. Concernant ces instructions</b>	<b>4</b>
<b>2. Remarques importantes pour votre sécurité</b>	<b>5</b>
2.1. Usage conforme	5
2.2. Consignes de sécurité pour le monteur	6
2.3. Consignes de sécurité pour l'utilisateur	7
<b>3. Description du produit</b>	<b>9</b>
3.1. Contenu de la livraison	9
3.2. Accessoires	9
3.3. Fonctions du produit	9
<b>4. Montage et raccordement</b>	<b>10</b>
4.1. Lieu d'installation et position de la sonde	10
4.2. Distances de sécurité	11
4.3. Réglage de la hauteur	11
4.4. Schéma de raccordement pour 400V 3N~	12
4.5. Schéma de raccordement pour 230V 1N~	13
4.6. Branchements électriques	14
<b>5. Mise en service</b>	<b>16</b>
5.1. Remplissage du réservoir de pierres	16
5.2. Utilisation du bol en céramique	16
5.3. Premier chauffage	17
<b>6. Utilisation</b>	<b>18</b>
6.1. Mode sauna finlandais	18
6.2. Mode mixte	19

<b>7. Entretien</b>	<b>21</b>
7.1. Périodes d'arrêt prolongées.....	21
7.2. Nettoyage du poêle de sauna.....	21
7.3. Remplacement des pierres à sauna.....	21
7.4. Nettoyage du conteneur de l'évaporateur .....	22
7.5. Nettoyage du bol en céramique.....	22
7.6. Détartrage du conteneur de l'évaporateur.....	23
<b>8. Dépannage par le monteur</b>	<b>23</b>
<b>9. Élimination</b>	<b>23</b>
<b>10. Caractéristiques techniques</b>	<b>24</b>
<b>11. Dimensions</b>	<b>25</b>

# 1. Concernant ces instructions

Lisez attentivement ces instructions de montage et ce mode d'emploi et conservez-les à proximité du sauna. Ainsi, vous pourrez consulter à tout moment des informations concernant son utilisation et relatives à votre sécurité.



Ces instructions de montage et ce mode d'emploi sont également disponibles dans la rubrique de téléchargement de notre site Internet [www.sentiotec.com/downloads](http://www.sentiotec.com/downloads).

## ***Symboles d'avertissement***

Dans les instructions de montage et le mode d'emploi, un avertissement précède les activités représentant un danger. Conformez-vous impérativement à ces avertissements. Vous éviterez ainsi des dommages matériels et des blessures qui, dans le pire des cas, peuvent être mortelles.

Ces avertissements utilisent des termes clés qui ont la signification suivante :



### **DANGER !**

Le non-respect de cet avertissement entraîne un risque de blessures graves, voire mortelles.



### **AVERTISSEMENT !**

Le non-respect de cet avertissement entraîne un risque éventuel de blessures graves, voire mortelles.



### **PRUDENCE !**

Le non-respect de cet avertissement entraîne un risque éventuel de blessures légères.

## **ATTENTION !**

Ce terme clé vous avertit de dommages matériels éventuels.

## ***Autres symboles***



Ce symbole désigne les conseils et indications utiles.



Ne pas couvrir !



Lire le mode d'emploi

## 2. Remarques importantes pour votre sécurité

Le poêle de sauna Concept R combi est construit selon des règles techniques de sécurité reconnues. Cependant, des dangers peuvent survenir lors de l'utilisation. C'est pourquoi vous devez suivre les consignes de sécurité suivantes et les avertissements spécifiques des différents chapitres.

### 2.1. Usage conforme

Le Concept R combi est un poêle de sauna à évaporateur intégré. Le poêle de sauna Concept R combi doit être utilisé exclusivement pour chauffer les cabines de sauna et pour augmenter l'humidité de l'air dans la cabine. Le poêle de sauna Concept R combi doit être utilisé exclusivement en combinaison avec une commande de sauna sans fonction de démarrage à distance.

Le poêle de sauna Concept R combi peut être utilisé également avec une commande pour sauna disposant d'une fonction de démarrage à distance, uniquement en combinaison avec l'extinction de sécurité disponible en option (CP-R-SWL).

Le poêle de sauna Concept R combi peut être utilisé également dans des saunas publics, uniquement en combinaison avec l'extinction de sécurité disponible en option (CP-R-SWL).

Toute autre utilisation est considérée comme un usage non conforme. Un usage non conforme peut endommager le produit et provoquer de graves blessures, voire la mort.

## 2.2. Consignes de sécurité pour le monteur

- Les travaux de montage et de raccordement du poêle de sauna doivent être effectués uniquement lorsque l'appareil est hors tension.
- Seul un électricien spécialisé ou une personne ayant une qualification similaire est habilité à procéder au montage.
- Un dispositif de coupure totale du circuit sur tous les pôles selon la catégorie de surtension III doit être prévu par le client.
- Pour le raccordement du poêle de sauna, utilisez exclusivement des lignes en silicone résistant à des températures allant jusqu'à 150 °C.
- Installez un seul poêle de sauna par cabine. Le poêle de sauna Concept R combi ne doit pas être utilisé avec d'autres poêles de sauna dans une même cabine de sauna.
- Les plafonds et parois de la cabine de sauna doivent être fabriqués en bois peu résineux, non traités ou traités thermiquement, par ex. pin nordique, tsuga, pin ou sapin, ou en matériaux composés de couches de bois. En cas d'utilisation de matériaux composés de couches de bois, veillez à ce que leurs colles n'émettent pas de formaldéhyde. Si d'autres matériaux que le bois sont utilisés dans la cabine de sauna, ils doivent résister à la chaleur et à la corrosion et ne doivent avoir aucun effet négatif sur la santé des utilisateurs du sauna.
- La cabine de sauna doit mesurer au moins 2,0 m de hauteur.
- Respectez les indications concernant le volume et la ventilation de la cabine de sauna du chapitre **10. Caractéristiques techniques** à la page **24**.
- Lors de l'installation du poêle de sauna, respectez les distances minimales de sécurité (voir chapitre **4.2. Distances de sécurité** à la page **11**).
- Respectez également les dispositions légales du lieu d'installation.
- En cas de problèmes insuffisamment traités dans les instructions de montage, adressez-vous à votre fournisseur pour votre propre sécurité.

### 2.3. Consignes de sécurité pour l'utilisateur

- L'appareil ne doit pas être utilisé par des enfants de moins de 8 ans.
- L'appareil peut être utilisé par des enfants de plus de 8 ans, par des personnes ayant des capacités psychiques, sensorielles ou mentales limitées et par des personnes manquant d'expérience et de connaissances dans les conditions suivantes :
  - lorsqu'ils sont surveillés.
  - lorsque l'utilisation en toute sécurité leur a été expliquée et qu'ils comprennent les dangers qui peuvent survenir.
- Les enfants ne doivent pas jouer avec l'appareil.
- Les enfants de moins de 14 ans peuvent nettoyer l'appareil uniquement s'ils sont surveillés.
- Pour des raisons de santé, n'utilisez pas le sauna lorsque vous êtes sous l'influence d'alcool, de médicaments ou de drogues.
- Ne faites jamais fonctionner le poêle de sauna sans pierres à sauna, cela pourrait provoquer des incendies.
- AVANT de commencer à utiliser le sauna, faites chauffer le poêle de sauna et l'évaporateur pendant une demi-heure. Pendant ce temps, NE restez PAS dans la cabine de sauna. Ensuite, aérez bien la cabine de sauna (voir **5.3. Premier chauffage** à la page 17).
- Assurez-vous qu'aucun objet inflammable ne se trouve sur le poêle de sauna avant de mettre en marche la commande.

- Ne touchez jamais le poêle de sauna pendant son fonctionnement. Les surfaces du poêle de sauna et les pierres à sauna sont très chaudes.
- NE versez JAMAIS d'eau dans le conteneur chaud de l'évaporateur. Contrôlez et remplissez le conteneur de l'évaporateur avant chaque fonctionnement mixte. Si la protection contre la surchauffe a éteint le chauffage de l'évaporateur ou si votre commande de sauna signale un manque d'eau, laissez l'évaporateur refroidir AVANT de verser de l'eau dans le conteneur de l'évaporateur.
- Pour votre sécurité, adressez-vous à votre fournisseur si le mode d'emploi ne traite pas exhaustivement de certains problèmes.



## 3. Description du produit

### 3.1. Contenu de la livraison

- Poêle de sauna
- Instructions de montage et mode d'emploi
- Bol en céramique pour les herbes et les parfums

### 3.2. Accessoires

<i>Accessoires</i>	<i>Numéro de produit</i>
Kit Auto-Refill	CP-RC-AF
Arrêt de sécurité	CP-R-SWL
Kit de fixation pour rambarde du poêle	CP-R-HSR
TILLEUL Rambarde en bois, grande	CP-R-L2
NOYER Rambarde en bois, grande	CP-R-N2
Emotion Set Rambarde TILLEUL, grande	CPR-EMO-L2
Emotion Set Rambarde NOYER, grande	CPR-EMO-N2

### 3.3. Fonctions du produit

FR

Le poêle de sauna Concept R combi est un poêle mixte. Les modes de fonctionnement suivants sont possibles :

- **Mode sauna finlandais** : généralement entre 80 et 100 °C, humidité relative de l'air env. 10 %
- **Fonctionnement mixte** (uniquement en combinaison avec une commande mixte) : env. 40 à 65 °C, 35 % à 70 % env. d'humidité de l'air. Plus la température augmente, plus l'humidité de l'air maximale autorisée baisse. En fonctionnement mixte, vous pouvez placer des parfums ou des herbes séchées dans le bol en céramique au-dessus de l'évaporateur. La vapeur montante extrait les huiles essentielles des herbes et répartit les parfums dans la cabine de sauna.

## 4. Montage et raccordement

Tenez compte des points suivants lors de l'installation et du raccordement du poêle de sauna :



### **AVERTISSEMENT !**

#### ***Risque d'électrocution***

- Effectuez les travaux de montage et de raccordement du poêle de sauna uniquement lorsque celui-ci est hors tension.
- 

- Seul un électricien spécialisé ou une personne ayant une qualification similaire est habilité à procéder au raccordement électrique.
- Un dispositif de coupure totale du circuit sur tous les pôles selon la catégorie de surtension III doit être prévu par le client.
- Le poêle de sauna Concept R combi est un poêle à poser. Une fixation au plancher ou aux parois du sauna n'est pas nécessaire.
- Ne placez pas le poêle de sauna sur un plancher en matériau facilement inflammable comme le bois ou le plastique. Les revêtements de sol adaptés sont par ex. du carrelage en céramique.

### 4.1. Lieu d'installation et position de la sonde

Installez le poêle au milieu, devant l'ouverture d'entrée d'air de la paroi de la cabine. Ce faisant, respectez les distances de sécurité par rapport à la paroi de la cabine indiquées à la **Fig. 1**.

Montez la sonde de température avec dispositif de protection contre la surtempérature au niveau de la paroi de la cabine, au-dessus du centre du poêle de sauna. Respectez une distance de 15 cm par rapport au plafond de la cabine.



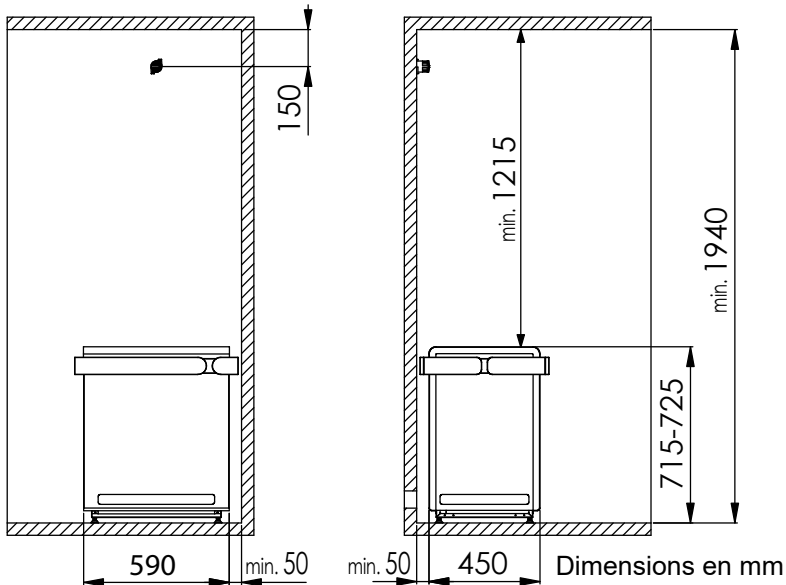
Si une ventilation suffisante est garantie, le poêle de sauna Concept R peut également être installé en position dégagée. Dans ce cas, montez la sonde de température au niveau du plafond de la cabine, au-dessus du centre du poêle.

---

## 4.2. Distances de sécurité

Respectez les distances de sécurité minimales indiquées sur la **Fig. 1**.

**Fig. 1** Distances de sécurité du Concept R combi 9 kW et 10,5 kW (CP-RCB-090 / CP-RCB-105)

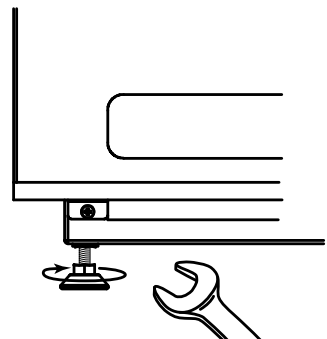


FR

## 4.3. Réglage de la hauteur

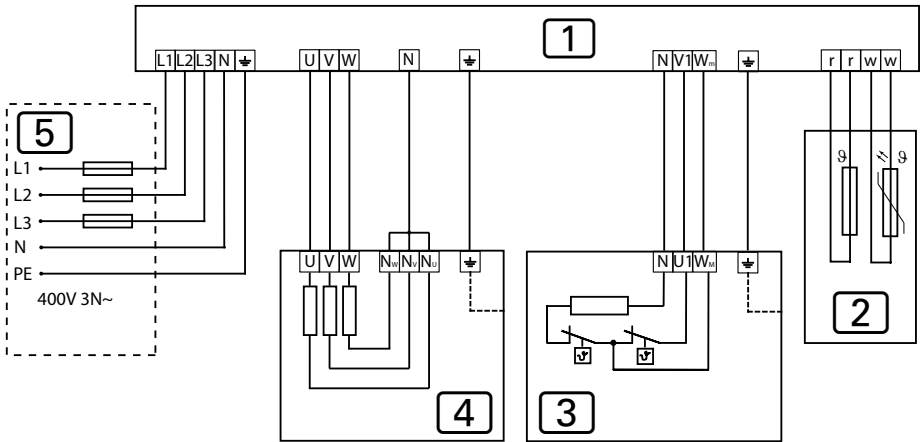
Le poêle de sauna Concept R combi dispose de pieds réglables en hauteur. Cela permet de régler la hauteur du poêle de sauna de 715 mm à 725 mm. Comme la hauteur de chaque pied peut être réglée individuellement, une adaptation à des sols non plans est possible.

1. Desserrez le pied du poêle de sauna avec une clé à fourche (13 mm).
2. Soulevez légèrement le poêle de sauna et tournez le pied vers la droite pour diminuer sa hauteur. Tournez vers la gauche pour augmenter la hauteur.
3. Resserrez le pied avec la clé à fourche.



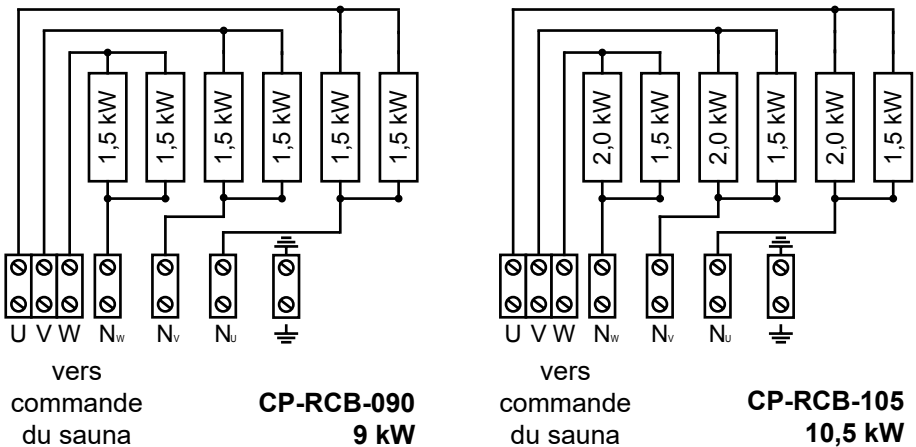
### 4.4. Schéma de raccordement pour 400V 3N~

Fig. 2 Schéma de raccordement du Concept R combi 9 kW et 10,5 kW



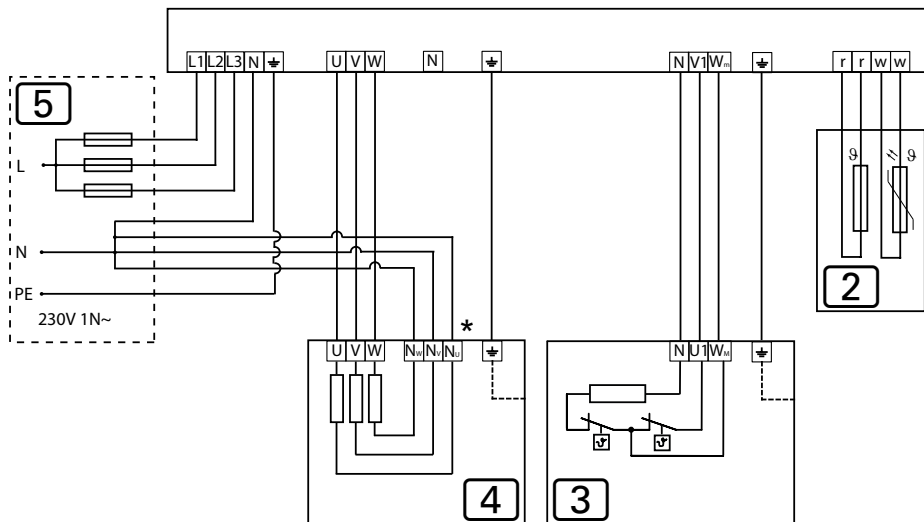
- 1 Commande de sauna
- 2 Sonde de température avec dispositif de protection contre la surtempérature
- 3 Évaporateur
- 4 Système de chauffage
- 5 Alimentation électrique

Fig. 3 Schémas de câblage – Système de chauffage

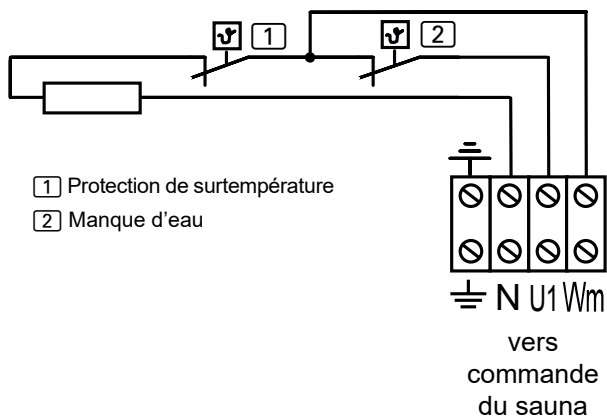


## 4.5. Schéma de raccordement pour 230V 1N~

Fig. 4 Schéma de raccordement du Concept R combi 9 kW et 10,5 kW

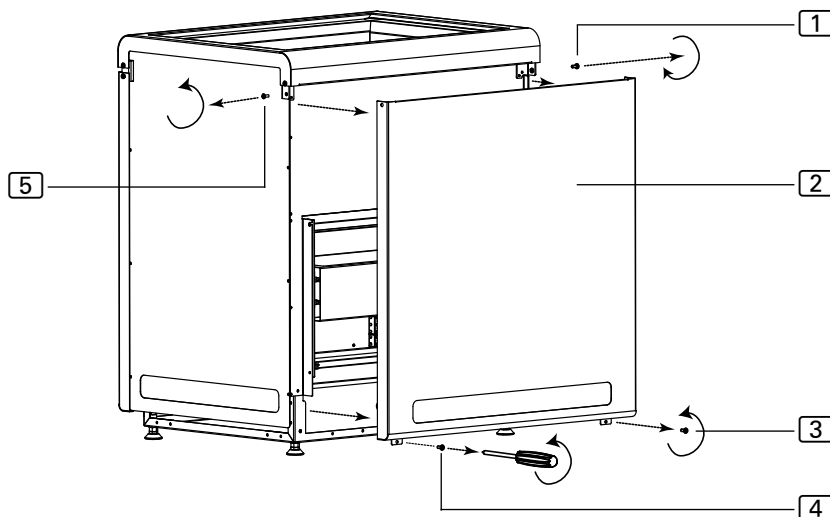


- 1 Commande de sauna
- 2 Sonde de température avec dispositif de protection contre la surtempérature
- 3 Évaporateur
- 4 Système de chauffage
- 5 Alimentation électrique
- \* Retirer le cavalier de cuivre

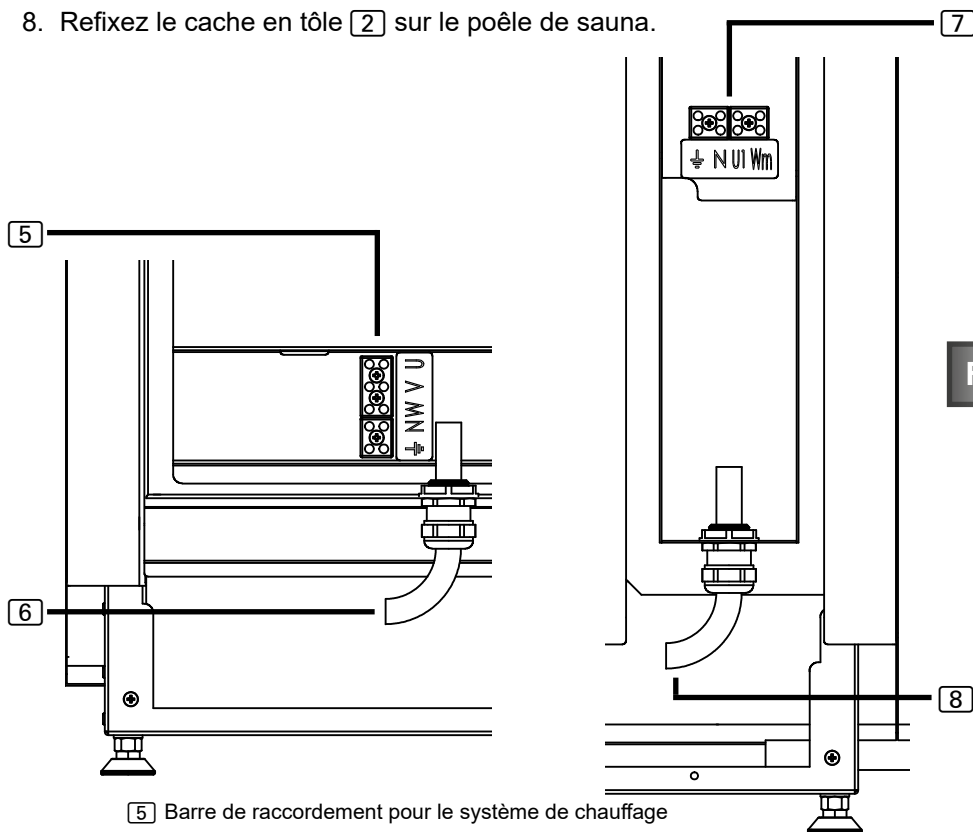
**Fig. 5** Schéma de câblage – évaporateur

#### 4.6. Branchements électriques

1. Desserrez les vis [3] et [4] à l'aide d'un tournevis.
2. Desserrez les vis [1] et [5] à l'aide d'un tournevis.
3. Retirez le cache en tôle [2].



4. Faites passer le câble de raccordement du système de chauffage par le passage [6].
5. Raccordez les fils de ce câble de raccordement aux bornes U – V – W – N – PE de la barre de raccordement [5] et au niveau des bornes correspondantes de la commande du sauna. Ce faisant, respectez les instructions de montage de la commande du sauna.
6. Faites passer le câble de l'évaporateur par le passage [8].
7. Raccordez les fils du câble de l'évaporateur aux bornes PE – N – U1 – Wm de la barre de raccordement [7] et aux bornes correspondantes de la commande du sauna. Ce faisant, respectez les instructions de montage de la commande du sauna.
8. Refixez le cache en tôle [2] sur le poêle de sauna.



- [5] Barre de raccordement pour le système de chauffage
- [6] Passage pour le câble de raccordement du système de chauffage
- [7] Barre de raccordement pour l'évaporateur
- [8] Passage pour le câble de l'évaporateur

## 5. Mise en service

### 5.1. Remplissage du réservoir de pierres



#### AVERTISSEMENT !

#### *Risque d'incendie dû à la surchauffe*

Si le poêle de sauna est utilisé sans pierres à sauna, les parois de la cabine de réchauffent fortement. Cela peut provoquer des incendies.

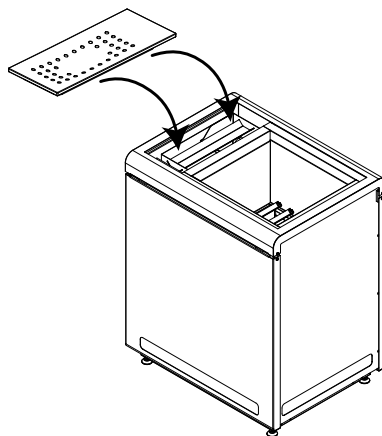
- NE mettez JAMAIS le poêle de sauna en marche sans pierres à sauna.

Vous trouverez la quantité de pierres correspondant à la puissance de votre poêle au chapitre **10. Caractéristiques techniques** (voir page **24**).

1. Avant utilisation, nettoyez soigneusement les pierres à sauna à l'eau, à l'aide d'une brosse. N'utilisez pas de produits de nettoyage.
2. Avant de les placer dans le poêle de sauna, vérifiez que les pierres sont exemptes de corps étrangers et retirez les restes d'emballage.
3. Placez les pierres à sauna dans le réservoir de pierres. Disposez les pierres à sauna sans les serrer, afin que l'air puisse passer entre les interstices.
4. Veillez à ce que les pierres à sauna ne dépassent pas du bord du réservoir de pierres.

### 5.2. Utilisation du bol en céramique

- Placez le bol en céramique sur le conteneur de l'évaporateur – comme indiqué sur l'illustration de droite.





### 5.3. Premier chauffage



#### PRUDENCE !

#### **Formation de fumée et de mauvaises odeurs lors du premier chauffage**

Sur les thermoplongeurs neufs se trouvent des matières consommables issues du processus de fabrication. Celles-ci se décomposent lors du premier chauffage du poêle de sauna. Cela provoque de la fumée et des odeurs désagréables. Le fait de respirer ces vapeurs ou la fumée nuit à votre santé.

Procédez aux opérations suivantes lorsque vous mettez votre poêle de sauna **en service pour la première fois** et lorsque les **thermoplongeurs de votre poêle de sauna ont été remplacés**. Vous évitez ainsi des dommages pour votre santé provoqués par les vapeurs et la fumée se formant lors du premier chauffage.

1. Premier chauffage des thermoplongeurs
  - a. Sur la commande du sauna, sélectionnez la température la plus élevée possible.
  - b. Faites chauffer le poêle de sauna pendant une demi-heure.  
**Pendant ce temps, NE restez PAS dans la cabine de sauna.**
2. Premier chauffage de l'évaporateur
  - a. Sur la commande de sauna, sélectionnez une température faible et une humidité de l'air élevée.
  - b. Faites chauffer l'évaporateur en remplissant le réservoir d'eau à la moitié (voir à la page **20**)  
**Ne restez PAS dans la cabine de sauna pendant le chauffage.**
  - c. Au bout d'env. 15 minutes, désactivez la commande de sauna.
  - d. Laissez refroidir l'évaporateur (env. une demi-heure).
  - e. Videz le réservoir d'eau (voir **Remplissage de l'évaporateur** à la page **20**)
  - f. Répétez le point 2.b.
  - g. Après le premier chauffage, aérez bien la cabine de sauna.
  - h. Si plus aucune fumée ni aucune odeur ne se forment lors du prochain chauffage, vous pouvez commencer à utiliser votre sauna.  
Si de la fumée ou des odeurs apparaissent à nouveau, quittez immédiatement la cabine de sauna et répétez la procédure de premier chauffage, suivie d'une aération.

## 6. Utilisation

---



### **AVERTISSEMENT !**

#### ***Risque d'incendie***

Des objets inflammables se trouvant sur le poêle de sauna brûlant peuvent s'enflammer et provoquer des incendies.

- NE placez JAMAIS de matériaux inflammables sur le poêle de sauna.
  - Assurez-vous qu'AUCUN objet inflammable ne se trouve sur le poêle de sauna avant de mettre le sauna en marche.
- 

L'utilisation du poêle de sauna s'effectue par l'intermédiaire d'une commande de sauna. Pour obtenir des informations concernant l'utilisation de la commande pour sauna, lisez le mode d'emploi de l'appareil correspondant. Notez que le poêle de sauna Concept R combi ne convient qu'aux commandes sans fonction de démarrage à distance.

---



Avec le dispositif d'arrêt de sécurité disponible en option (CP-R-SWL), le poêle de sauna Concept R combi convient également aux commandes pour sauna AVEC fonction de démarrage à distance.

---

### **6.1. Mode sauna finlandais**

En mode sauna finlandais, seul le système de chauffage fonctionne. La chaleur disponible est sèche. La température dans la cabine est élevée (de 80 à 100 °C). Les valeurs d'humidité sont faibles, le taux étant de 10 % maximum. La température dans la cabine de sauna est réglée par la commande du sauna.

À la fin de l'utilisation du sauna, vous pouvez effectuer un arrosage. Pour ce faire, versez de l'eau sur les pierres à sauna à l'aide d'une louche pour sauna. Cela fait évaporer l'eau et augmente l'humidité de l'air dans la cabine.

Lors de l'arrosage, respectez les points suivants :

- Utilisez uniquement de l'eau du robinet pour l'arrosage. De l'eau de mer, une eau très calcaire et de l'eau chlorée peuvent endommager le poêle de sauna.
- Utilisez uniquement des parfums et des huiles essentielles explicitement adaptés à l'arrosage dans des saunas. Suivez les consignes données par le fabricant sur l'emballage des essences.
- Ne versez pas l'eau trop vite sur les pierres à sauna. Cela permet que l'eau d'arrosage s'évapore totalement.

## 6.2. Mode mixte

En mode mixte, le système de chauffage et l'évaporateur fonctionnent. La température dans la cabine du sauna est plus basse (environ de 40 à 65 °C) qu'en mode sauna finlandais mais l'humidité relative de l'air est nettement plus élevée, le taux étant de 35 % à environ 70 %. Plus la température augmente, plus l'humidité de l'air maximale autorisée baisse. La température et l'humidité de l'air dans la cabine de sauna sont réglées par la commande du sauna.

Le conteneur de l'évaporateur doit être rempli manuellement. Si la réserve d'eau dans le conteneur de l'évaporateur est épuisée, une protection contre la surchauffe éteint automatiquement le chauffage de l'évaporateur. Le manque d'eau est signalé au niveau de la commande du sauna et y est indiqué, par ex. par un signal sonore et par le message « FILL ».



Le kit Auto-Refill (CP-RC-AF) permet un raccordement permanent à la conduite d'eau et donc un remplissage automatique du conteneur de l'évaporateur.

FR

### ATTENTION !

#### ***Endommagement de l'évaporateur***

De l'eau de mer, une eau très calcaire et de l'eau chlorée, des herbes, des essences ou des parfums peuvent endommager le poêle de sauna.

- Remplissez le conteneur de l'évaporateur uniquement à l'eau du robinet.
- Ne placez pas les herbes, les essences ou les parfums directement dans le conteneur de l'évaporateur, mais dans le bol en céramique situé au-dessus de l'évaporateur.
- Détartrez l'évaporateur régulièrement (voir **7.6.** à la page **24**).

## Remplissage de l'évaporateur



### PRUDENCE !

#### Risque de brûlure

Lorsque vous versez de l'eau dans le conteneur chaud de l'évaporateur, de la vapeur chaude se dégage.

- NE versez JAMAIS d'eau dans le conteneur chaud de l'évaporateur.
- Contrôlez et remplissez le conteneur de l'évaporateur avant chaque fonctionnement mixte.
- Si la protection contre la surchauffe a éteint le chauffage de l'évaporateur ou si votre commande de sauna signale un manque d'eau, laissez l'évaporateur refroidir AVANT de verser de l'eau dans le conteneur de l'évaporateur.



### PRUDENCE !

#### Risque de brûlure

Si le conteneur de l'évaporateur est trop plein, des éclaboussures d'eau bouillante jaillissent du conteneur de l'évaporateur.

- Remplissez le conteneur de l'évaporateur uniquement jusqu'à la marque du maximum.

1. Retirez le bol en céramique [1] et l'entonnoir à tuyau de vapeur [2].

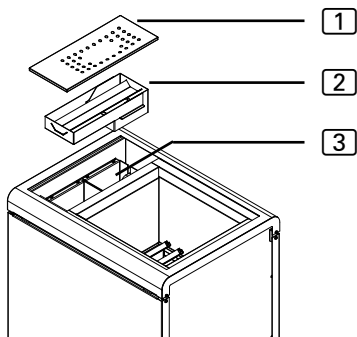
2. Placez un récipient de récupération (d'au moins 5 litres) sous le robinet à boisseau sphérique situé au fond de l'évaporateur.

3. Tournez le robinet à boisseau sphérique vers la gauche jusqu'à ce que l'eau résiduelle s'écoule.

4. Lorsque le conteneur de l'évaporateur [3] est vide, fermez le robinet à boisseau sphérique.

5. Remplissez le conteneur de l'évaporateur [3] d'eau fraîche du robinet jusqu'à la marque du maximum. Pour cela, il vous faut environ 5 litres d'eau. Avec cette quantité d'eau, il est possible d'utiliser l'évaporateur pendant 1 heure environ.

6. Remplacez le bol en céramique [1] et l'entonnoir à tuyau de vapeur [2].



## Utilisation de parfums et d'herbes

Si vous le souhaitez, vous pouvez placer des parfums ou des herbes séchées dans le bol en céramique. Tenez compte des points suivants :

- Ne placez pas les parfums directement dans le conteneur de l'évaporateur.
- Remplissez le bol en céramique avec prudence pour que les parfums ne s'écoulent pas par les trous du bol en céramique et tombent dans le conteneur de l'évaporateur.
- Suivez les consignes données par le fabricant sur l'emballage des herbes et des parfums.

## 7. Entretien

### 7.1. Périodes d'arrêt prolongées

Si l'environnement est particulièrement humide, ou lors de longues périodes d'arrêt, de l'humidité s'accumule dans les thermoplongeurs. Il s'agit d'un phénomène physique et non d'un défaut de fabrication. L'humidité des thermoplongeurs peut provoquer le déclenchement du disjoncteur. Dans ce cas, contactez un électricien qualifié pour le dépannage (voir chapitre **8. Dépannage par le monteur**).



Faites chauffer le poêle de sauna toutes les 5 à 6 semaines pendant env. 15 minutes. Vous évitez ainsi que de l'eau ne s'accumule dans les thermoplongeurs lors de longues périodes d'arrêt.

### 7.2. Nettoyage du poêle de sauna

Veillez à ce que les ouvertures de ventilation soient exemptes de peluches et de poussières. Vous évitez ainsi que la circulation de l'air dans le poêle de sauna soit limitée et que l'appareil chauffe excessivement.

### 7.3. Remplacement des pierres à sauna

Les pierres à sauna sont très sollicitées par les produits d'arrosage et les importantes différences de température survenant lors de l'utilisation. Les pierres à sauna peuvent être attaquées et devenir cassantes.

Contrôlez les pierres à sauna à intervalles réguliers et remplacez les pierres au moins une fois par an.



#### **AVERTISSEMENT !**

#### **Risque d'incendie dû à la surchauffe**

Si le poêle de sauna est utilisé sans pierres à sauna, les parois de la cabine de réchauffent fortement. Cela peut provoquer des incendies.

- NE mettez JAMAIS le poêle de sauna en marche sans pierres à sauna.

1. Retirez les anciennes pierres à sauna.
2. Nettoyez le réservoir de pierres pour retirer les dépôts de calcaire, la poussière et autres impuretés.
3. Avant utilisation, nettoyez soigneusement les pierres à sauna à l'eau, à l'aide d'une brosse. N'utilisez pas de produits de nettoyage.
4. Avant de les placer dans le poêle de sauna, vérifiez que les pierres sont exemptes de corps étrangers et retirez les restes d'emballage.
5. Placez les pierres à sauna dans le réservoir de pierres. Disposez les pierres à sauna sans les serrer, afin que l'air puisse passer entre les interstices.
6. Veillez à ce que les pierres à sauna ne dépassent pas du bord du réservoir de pierres.

#### **7.4. Nettoyage du conteneur de l'évaporateur**

Videz et nettoyez le conteneur de l'évaporateur après chaque utilisation. Pour cela, suivez les étapes suivantes :

1. Attendez que l'eau ait refroidi dans l'évaporateur.
2. Placez un récipient de récupération sous le robinet à boisseau sphérique situé au fond de l'évaporateur.
3. Tournez le robinet à boisseau sphérique vers la gauche jusqu'à ce que l'eau résiduelle s'écoule.
4. Lorsque le conteneur de l'évaporateur est vide, fermez le robinet à boisseau sphérique.
5. Retirez le bol en céramique et l'entonnoir à tuyau de vapeur.
6. Nettoyez le conteneur de l'évaporateur et l'entonnoir à tuyau de vapeur avec une brosse à poils en plastique. Rincez à l'eau.
7. Remplacez le bol en céramique et l'entonnoir à tuyau de vapeur.

#### **7.5. Nettoyage du bol en céramique**

Nettoyez le bol en céramique pour herbes et essences au besoin dans le lave-vaisselle.

## 7.6. Détartrage du conteneur de l'évaporateur

Détartrez le conteneur de l'évaporateur si besoin. Pour ce faire, utilisez un détartrant pour appareils ménagers. Conformez-vous aux prescriptions et aux consignes de sécurité du fabricant.

1. Préparez la solution de détartrage selon les indications du fabricant.
2. Remplissez l'évaporateur de la solution de détartrage jusqu'à la marque du maximum.
3. Laissez la solution de détartrage bouillir pendant 10 minutes.
4. Attendez que la solution de détartrage ait refroidi dans l'évaporateur.
5. Placez un récipient de récupération sous le robinet à boisseau sphérique situé au fond de l'évaporateur et videz le conteneur de l'évaporateur.
6. Rincez le conteneur de l'évaporateur 2 fois à l'eau du robinet.

## 8. Dépannage par le monteur

### *Chauffage des thermoplongeurs*

Si l'environnement est particulièrement humide, ou lors de longues périodes d'arrêt, de l'humidité peut s'accumuler dans les thermoplongeurs. Il s'agit d'un phénomène physique et non d'un défaut de fabrication. L'humidité des thermoplongeurs peut éventuellement provoquer le déclenchement du disjoncteur.

Dans ce cas, il est nécessaire de faire chauffer le poêle de sauna sous la surveillance d'un électricien qualifié. Pendant cette procédure, la fonction de protection du disjoncteur doit être hors service. La procédure de chauffage dure env. 10 minutes. La fonction de protection du disjoncteur doit ensuite être rétablie.

Si le problème persiste, adressez-vous à votre fournisseur.

## 9. Élimination



- Éliminez les matériaux d'emballage conformément aux directives en vigueur relatives à l'élimination.
- Les appareils usagés contiennent des matériaux recyclables, mais aussi des substances toxiques. Par conséquent, ne jetez en aucun cas votre appareil usagé avec les déchets ménagers. Éliminez-le conformément aux directives locales en vigueur.

## 10. Caractéristiques techniques

Les dimensions du Concept R combi figurent sur la **Fig. 6**.

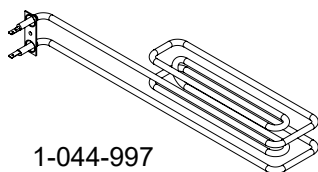
Référence	Puissance du système de chauffage [kW]	Puissance de l'évaporateur [kW]	Volume de la cabine [m <sup>3</sup> ]	Taille minimale de l'ouverture de ventilation [mm]
CP-RCB-090	9,0	2,5	9 - 14	350 x 50
CP-RCB-105	10,5	2,5	10 - 15	350 x 60

Référence	Poids sans pierres [kg]	Quantité de pierres [kg]	Protection [A]	Alimentation
CP-RCB-090	34	Env. 25	3 x 16	400 V CA 3N~ 50/60 Hz  230 V CA 1N~ 50/60 Hz
CP-RCB-105	34	Env. 25	3 x 16	400 V CA 3N~ 50/60 Hz  230 V CA 1N~ 50/60 Hz

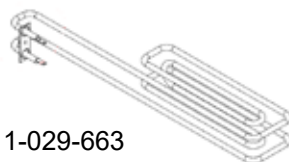
Référence	Thermoplongeurs
CP-RBC-090	6 x SCA150 (1-028-518)
CP-RBC-105	3 x SCA150 (1-028-518) / 3 x SCA200 (1-028-503)

### Évaporateur Thermoplongeurs

1 x 1-044-997 / 1-029-663 (vieux)



1-044-997

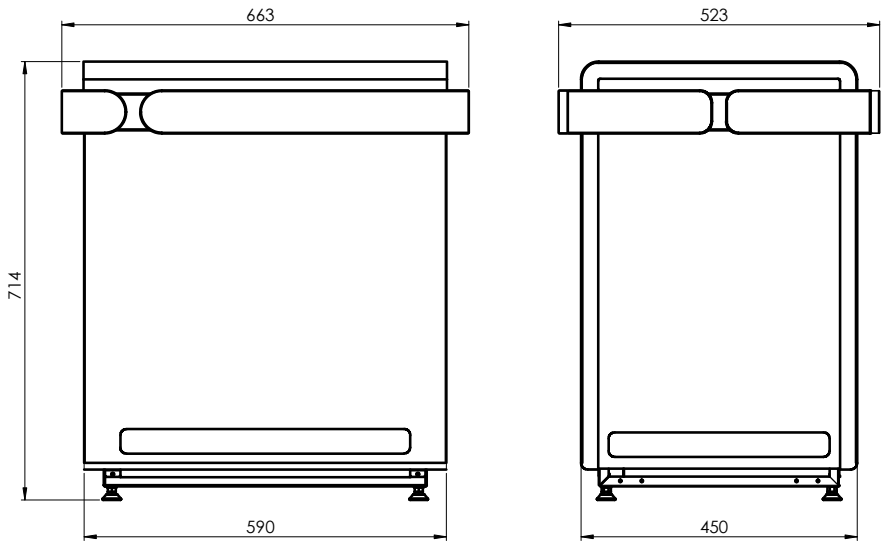


1-029-663



## 11. Dimensions

Fig. 6 Dimensions du Concept R combi 9 kW et 10,5 kW



Dimensions en mm

FR



# Stufa per sauna

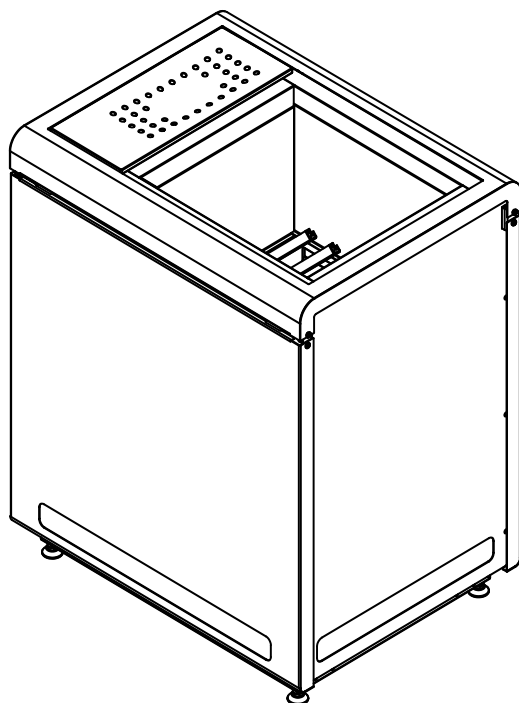
## Concept R combi black

CP-RCB-090 / 1-027-775: Concept R combi 9,0 kW

CP-RCB-105 / 1-027-776: Concept R combi 10,5 kW

### ISTRUZIONI DI MONTAGGIO E D'USO

Italiano



IT

# Indice

<b>1. Informazioni sul presente manuale</b>	<b>4</b>
<b>2. Importanti indicazioni per la sicurezza personale</b>	<b>5</b>
2.1. Conformità d'uso	5
2.2. Indicazioni di sicurezza per l'installatore	6
2.3. Indicazioni di sicurezza per l'utilizzatore	7
<b>3. Descrizione del prodotto</b>	<b>9</b>
3.1. Dotazione	9
3.2. Accessori	9
3.3. Funzioni del prodotto	9
<b>4. Montaggio e collegamento</b>	<b>10</b>
4.1. Luogo di installazione e posizione della sonda	10
4.2. Distanze di sicurezza	11
4.3. Regolazione dell'altezza	11
4.4. Schema di collegamento per 400V 3N~	12
4.5. Schema di collegamento per 230V 1N~	13
4.6. Collegamento elettrico	14
<b>5. Messa in funzione</b>	<b>16</b>
5.1. Riempimento del contenitore delle pietre	16
5.2. Inserimento della vaschetta in ceramica	16
5.3. Primo riscaldamento	17
<b>6. Impiego</b>	<b>18</b>
6.1. Funzionamento sauna finlandese	18
6.2. Funzionamento combinato	19

<b>7. Manutenzione</b>	<b>21</b>
7.1. Pause di funzionamento prolungate.....	21
7.2. Pulizia della stufa per sauna.....	21
7.3. Sostituzione delle pietre.....	21
7.4. Pulizia del contenitore dell'evaporatore .....	22
7.5. Pulizia della vaschetta in ceramica.....	22
7.6. Decalcificazione del contenitore dell'evaporatore.....	23
<b>8. Risoluzione del problema con l'intervento di un installatore</b>	<b>23</b>
<b>9. Smaltimento</b>	<b>23</b>
<b>10. Specifiche tecniche</b>	<b>24</b>
<b>11. Dimensioni</b>	<b>25</b>

# 1. Informazioni sul presente manuale

Leggere attentamente le presenti istruzioni di montaggio e d'uso e conservarle vicino alla sauna. Così facendo è possibile in ogni momento controllare le informazioni sulla sicurezza personale e il comando.



Le presenti istruzioni di montaggio e d'uso si trovano anche nell'area di download della nostra pagina web all'indirizzo: [www.sentiotec.com/downloads](http://www.sentiotec.com/downloads).

## **Simboli nelle avvertenze**

Nelle presenti istruzioni di montaggio e d'uso, prima di ogni attività che genera un pericolo, è applicata un'avvertenza. Osservare sempre queste avvertenze. Così facendo, si evitano danni a beni materiali e lesioni che, nel peggiore dei casi, possono essere addirittura mortali.

Nelle avvertenze vengono utilizzati pittogrammi che hanno i seguenti significati:



### **PERICOLO!**

L'inosservanza di questa avvertenza può causare lesioni gravi o addirittura mortali.



### **AVVERTENZA!**

L'inosservanza di questa avvertenza può causare lesioni gravi o addirittura mortali.



### **ATTENZIONE!**

L'inosservanza di questa avvertenza può causare lesioni lievi.

### **ATTENZIONE!**

Questo pittogramma avverte della possibilità di danni a beni materiali.

## **Altri simboli**



Questo simbolo indica consigli e indicazioni utili.



Non coprire!



Leggere il manuale di istruzioni

## **2. Importanti indicazioni per la sicurezza personale**

La stufa per sauna Concept R combi è costruita secondo le regole di sicurezza tecniche riconosciute. Tuttavia, durante l'utilizzo, possono presentarsi pericoli. Osservare pertanto le seguenti indicazioni di sicurezza e le avvertenze speciali riportate nei singoli capitoli.

### **2.1. Conformità d'uso**

Concept R combi è una stufa per sauna con evaporatore integrato. Concept R combi può essere utilizzata solo per riscaldare cabine per sauna e per aumentare l'umidità all'interno di esse. Concept R combi deve essere utilizzata solo in combinazione con un comando della sauna senza funzione di avvio remoto.

Solo se in combinazione con il disinserimento di sicurezza (CP-R-SWL) disponibile come opzione, la stufa per sauna Concept R combi può essere azionata anche con un comando della sauna dotato di funzione di avvio remoto.

Solo in combinazione con il disinserimento di sicurezza (CP-R-SWL) disponibile come opzione è consentito azionare la stufa per saune Concept R combi anche in saune pubbliche.

Qualsiasi altro utilizzo è considerato improprio. Un utilizzo improprio può causare danni al prodotto e lesioni gravi o mortali.

## 2.2. Indicazioni di sicurezza per l'installatore

- I lavori di montaggio e di collegamento della stufa per sauna devono essere eseguiti solo in assenza di tensione.
- Il montaggio deve essere eseguito solo da elettricisti o da persone con una qualifica simile.
- Per l'installazione, predisporre sul posto un dispositivo di separazione su tutti i poli con disinnesto totale corrispondente alla categoria di sovratensione III.
- Per collegare la stufa per sauna, utilizzare solamente tubi in silicone termoresistenti fino a una temperatura di 150°C.
- Installare la stufa per sauna solo nella cabina. La stufa per sauna Concept R combi non deve essere utilizzata insieme ad altre stufe nella stessa cabina.
- Il soffitto e le pareti della cabina della sauna devono essere costruiti in legno a basso contenuto di resina, non trattato o termotrattato, ad es. abete rosso nordico, tsuga, pino o abete bianco oppure in materiali a strati di legno. Se si utilizzano materiali in strati di legno, assicurarsi che le colle ivi presenti non rilascino formaldeide. Se nella cabina vengono utilizzati altri materiali, questi devono essere resistenti al calore e alla corrosione e non devono avere effetti negativi sulla salute di chi fa la sauna.
- La cabina deve avere un'altezza di almeno 2,0 m.
- Osservare i valori prescritti per il volume e la ventilazione della cabina per sauna al capitolo **10. Specifiche tecniche** a pagina **24**.
- Durante l'installazione della stufa per sauna osservare le distanze minime di sicurezza (vedi capitolo **4.2. Distanze di sicurezza** a pagina **11**).
- Osservare anche le disposizioni locali valide sul posto di installazione.
- Qualora si presentassero problemi non trattati in modo esaustivo nelle presenti istruzioni di montaggio, per la vostra sicurezza, vi preghiamo di rivolgervi al vostro fornitore.



### 2.3. Indicazioni di sicurezza per l'utilizzatore

- Il dispositivo non deve essere utilizzato da bambini di età inferiore agli 8 anni.
- Questo dispositivo può essere utilizzato da bambini con più di 8 anni di età, da persone con capacità fisiche, sensoriali o mentali limitate e prive della sufficiente esperienza e del know-how necessari, alle seguenti condizioni:
  - se sono in presenza di persone responsabili per loro;
  - se è stato spiegato loro come utilizzare l'apparecchio in modo sicuro e sono chiari i pericoli che ne possono derivare.
- Ai bambini non è permesso giocare con il dispositivo.
- I bambini al di sotto dei 14 anni possono pulire il dispositivo solo in presenza di adulti.
- Se si è sotto l'effetto di alcol, medicinali o droghe, per motivi di salute, evitare di andare in sauna.
- Non mettere mai in funzione la stufa per sauna senza le pietre perché potrebbero verificarsi incendi.
- **PRECEDENTEMENTE** alla prima volta che si effettua una sauna, riscaldare la stufa e l'evaporatore per mezz'ora. **NON** rimanere nella cabina della sauna durante questo arco di tempo. Quindi aerare bene la cabina (vedi **5.3. Primo riscaldamento** a pagina 17).
- Prima di accendere il comando della sauna, assicurarsi che sulla stufa per sauna non si trovino oggetti infiammabili.

- Non toccare mai la stufa per sauna durante il funzionamento. La superficie della stufa per sauna e le pietre si scaldano molto.
- **NON** versare **MAI** acqua sul contenitore dell'evaporatore caldo. Controllare e riempire sempre il contenitore dell'evaporatore prima di avviare il dispositivo in funzionamento combinato. Se la protezione dal surriscaldamento ha disattivato la produzione di calore dell'evaporatore o se il comando della sauna segnala la mancanza di acqua, lasciar raffreddare l'evaporatore **PRIMA** di versare acqua all'interno del suo contenitore.
- Qualora si presentassero problemi non trattati in modo esaustivo nelle istruzioni per l'uso, per la vostra sicurezza, vi preghiamo di rivolgervi al vostro fornitore.

## 3. Descrizione del prodotto

### 3.1. Dotazione

- Stufa per sauna
- Istruzioni di montaggio e d'uso
- Vaschetta in ceramica per erbe e aromi

### 3.2. Accessori

<i>Accessori</i>	<i>Numero articolo</i>
Set di Auto Refill	CP-RC-AF
Dispositivo automatico di spegnimento di sicurezza	CP-R-SWL
Set di supporto per corrimano per stufa	CP-R-HSR
TIGLIO corrimano in legno grande	CP-R-L2
NOCE corrimano in legno grande	CP-R-N2
Emotion set corrimano TIGLIO grande	CPR-EMO-L2
Emotion set corrimano NOCE grande	CPR-EMO-N2

### 3.3. Funzioni del prodotto

La stufa per sauna Concept R combi è una stufa multifunzionale. Sono possibili le seguenti modalità di funzionamento:

- **sauna finlandese:** normalmente da 80 a 100°C; ca. 10% di umidità relativa dell'aria
- **funzionamento combinato** (solo in combinazione con un controllo combinato): da ca. 40 a 65°C, dal 35% a ca. il 70% di umidità dell'aria. L'umidità dell'aria massima consentita scende con l'aumentare della temperatura.  
Se si preferisce, con il funzionamento combinato, si possono aggiungere aromi o erbe essiccate nella vaschetta in ceramica, sopra all'evaporatore. Il vapore in ascensione scioglie gli oli essenziali delle erbe o sparge gli aromi nella cabina della sauna.

## 4. Montaggio e collegamento

Tenere presente i seguenti punti durante l'installazione e il collegamento della stufa per sauna:



### **AVVERTENZA!**

#### ***Pericolo di scossa elettrica***

- Eseguire i lavori di montaggio e collegamento alla stufa per sauna solo in assenza di tensione.
- 

- Il collegamento elettrico deve essere eseguito solo da elettricisti specializzati o da persone con una qualifica simile.
- Per l'installazione, predisporre sul posto un dispositivo di separazione su tutti i poli con disinnesto totale corrispondente alla categoria di sovratensione III.
- La stufa per sauna Concept R combi è una stufa autoportante. Non è necessario fissarla al pavimento o alla parete della sauna.
- Non posizionare la stufa per sauna su un pavimento in materiale facilmente infiammabile come legno o plastica. Rivestimenti per pavimenti adatti sono ad es. piastrelle in ceramica.

### 4.1. Luogo di installazione e posizione della sonda

Posizionare la stufa centralmente davanti all'apertura dell'entrata dell'aria nella parete della cabina. Durante questa operazione mantenere le distanze di sicurezza indicate nella **Fig. 1** rispetto alla parete della cabina.

Montare la sonda termica con fusibile termico di protezione alla parete della cabina al di sopra del centro della stufa della sauna. Rispettare una distanza di 15 cm dal tetto della cabina.



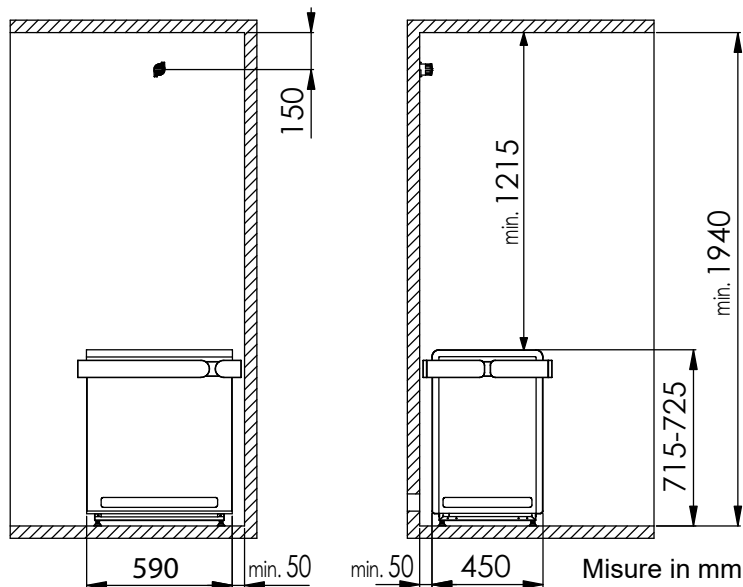
Se è assicurata una aerazione sufficiente, la stufa per sauna Concept R può essere anche installata liberamente. In questo caso montare la sonda termica al soffitto della cabina sopra il centro della stufa.

---

## 4.2. Distanze di sicurezza

Osservare le distanze di sicurezza minime indicate nella **Fig. 1**.

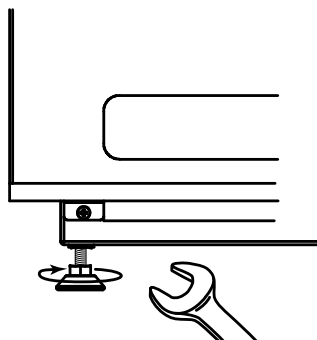
**Fig. 1** Distanze di sicurezza Concept R combi 9 kW e 10,5 kW (CP-RCB-090 / CP-RCB-105)



## 4.3. Regolazione dell'altezza

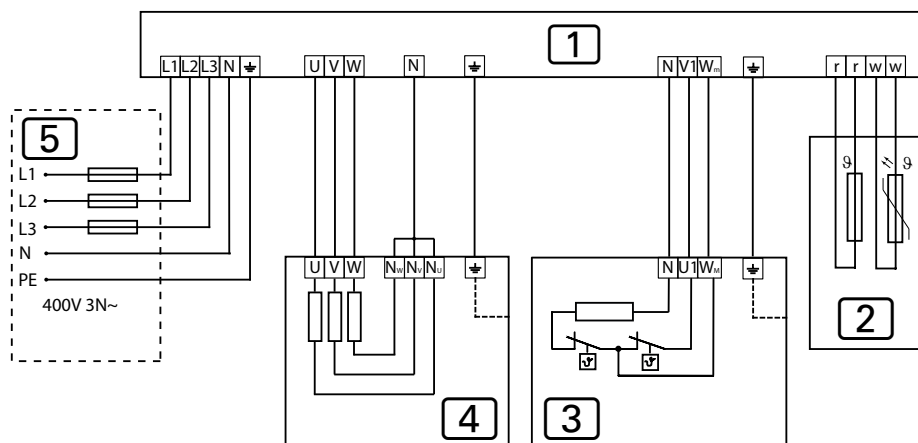
La stufa per sauna Concept R combi dispone di piedi di appoggio con altezza regolabile. Perciò la sua altezza può essere regolata da 715 mm a 725 mm. Poiché l'altezza di ogni piede d'appoggio può essere regolata in modo individuale è possibile un adattamento su pavimenti non piani.

1. Svitare il piede d'appoggio della stufa per sauna con una chiave fissa (13 mm).
2. Per ridurre l'altezza, sollevare leggermente la stufa della sauna e ruotare il piede verso destra. Per aumentare l'altezza ruotare verso sinistra.
3. Serrare di nuovo il piede d'appoggio con la chiave fissa.



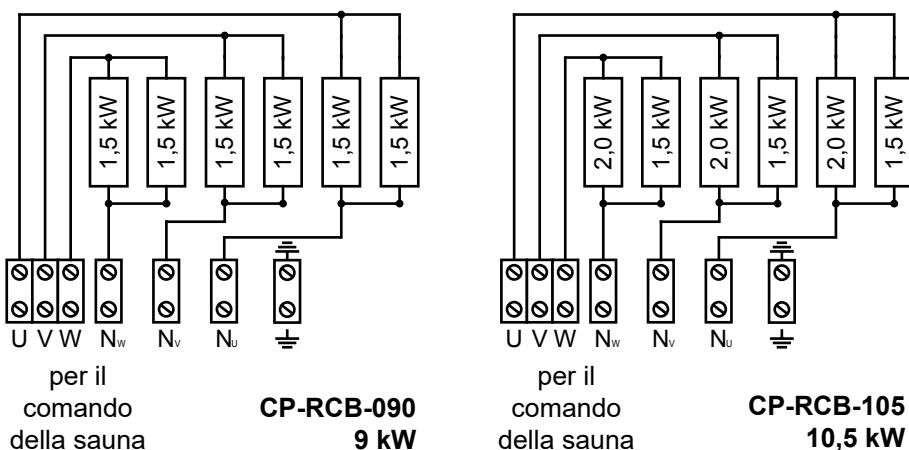
## 4.4. Schema di collegamento per 400V 3N~

**Fig. 2** Schema di collegamento Concept R combi 9 kW e 10,5 kW



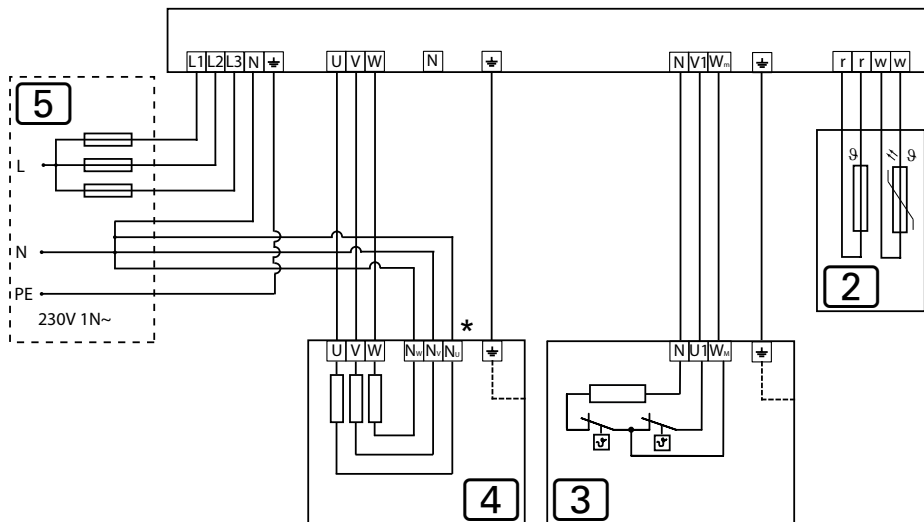
- 1 Comando della sauna
- 2 Sonda termica con fusibile termico di protezione
- 3 Evaporatore
- 4 Sistema di riscaldamento
- 5 Alimentazione di corrente

**Fig. 3** Schemi di cablaggio – Sistema di riscaldamento

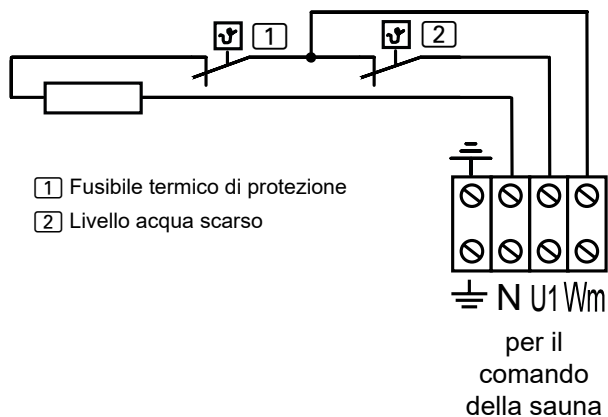


## 4.5. Schema di collegamento per 230V 1N~

**Fig. 4** Schema di collegamento Concept R combi 9 kW e 10,5 kW

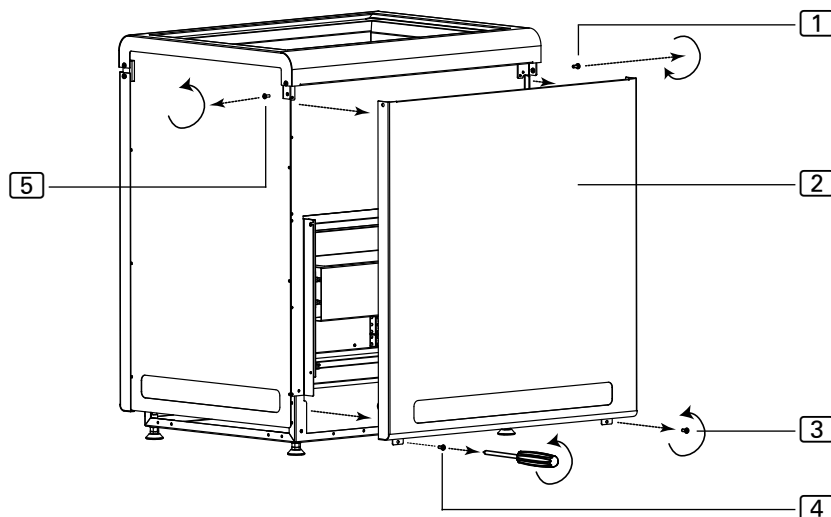


- 1 Comando della sauna
  - 2 Sonda termica con fusibile termico di protezione
  - 3 Evaporatore
  - 4 Sistema di riscaldamento
  - 5 Alimentazione di corrente
- \* Rimuovere il ponte in rame

**Fig. 5** Schema per il cablaggio - evaporatore

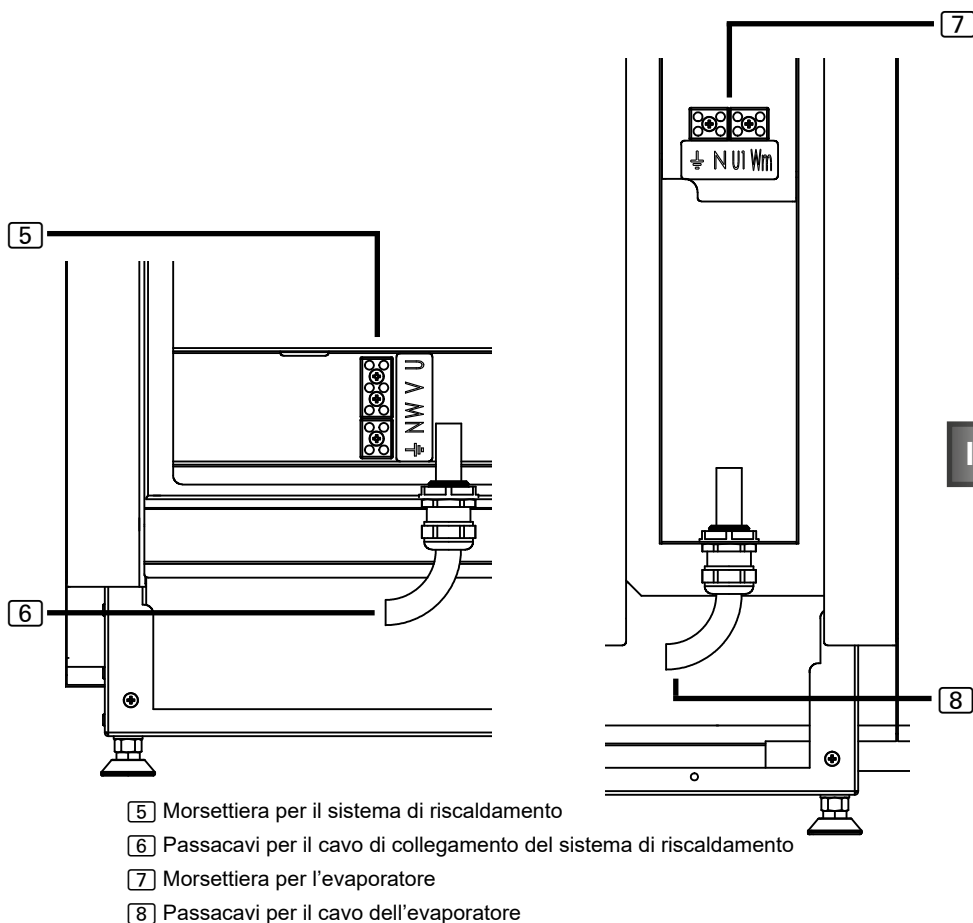
#### 4.6. Collegamento elettrico

1. Allentare le viti **3** e **4** con un cacciavite.
2. Allentare le viti **1** e **5** con un cacciavite.
3. Rimuovere la lamiera di copertura **2**.





4. Far passare il cavo di collegamento del sistema di riscaldamento attraverso il passacavi [6].
5. Collegare i fili di questo cavo di collegamento ai morsetti U – V – W – N – PE della morsettiera [5] e ai relativi morsetti del comando della sauna. Per quest'operazione seguire il manuale di montaggio del comando della sauna.
6. Far passare il cavo dell'evaporatore attraverso il passacavi [8].
7. Collegare i fili del cavo dell'evaporatore ai morsetti PE – N – U1 – Wm della morsettiera [7] e ai relativi morsetti del comando della sauna. Per quest'operazione seguire il manuale di montaggio del comando della sauna.
8. Fissare di nuovo la lamiera di copertura [2] sulla stufa della sauna.



## 5. Messa in funzione

### 5.1. Riempimento del contenitore delle pietre

**AVVERTENZA!*****Pericolo d'incendio per surriscaldamento***

Se la stufa per sauna viene utilizzata senza pietre, le pareti della cabina si riscaldano molto. Per questo motivo possono verificarsi incendi.

- Non mettere MAI in funzione la stufa per sauna senza pietre.

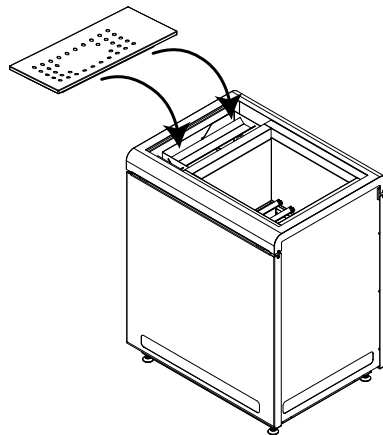
Per la quantità di pietre adatta per la potenza della vostra stufa, consultare il capitolo

### 10. Specifiche tecniche (vedi pagina 24).

1. Prima di utilizzare le pietre per la sauna, lavarle accuratamente con una spazzola e acqua. Non utilizzare additivi per la pulizia.
2. Prima di mettere le pietre nella stufa, controllare se sono presenti corpi estranei e rimuovere i resti dell'imballaggio.
3. Mettere le pietre per sauna nell'apposito contenitore. Collocare le pietre per sauna in modo non troppo ravvicinato, affinché l'aria possa circolare fra gli spazi.
4. Assicurarsi che le pietre non sporgano oltre il bordo del contenitore.

### 5.2. Inserimento della vaschetta in ceramica

- Posizionare la vaschetta in ceramica sul contenitore dell'evaporatore, come mostrato nella figura a destra.



### 5.3. Primo riscaldamento



#### **ATTENZIONE!**

#### ***Formazione di fumo e odori durante il primo riscaldamento***

Sulle nuove resistenze si trovano materiali di consumo derivanti dal processo di produzione. Questi si disgregano al momento del primo riscaldamento della stufa. Ciò produce fumo e un odore sgradevole. In caso di inalazione, questi fumi e vapori sono nocivi per la salute.

Eseguire i seguenti passaggi se si mette in funzione **per la prima volta** la stufa e se **sono state sostituite le resistenze**. In tal modo si evitano danni alla salute dovuti a fumi e vapori che derivano dal primo riscaldamento.

1. Primo utilizzo delle resistenze
  - a. Selezionare la temperatura più alta possibile sul comando della sauna.
  - b. Riscaldare la stufa per mezz'ora.  
**NON rimanere nella cabina durante questo arco di tempo.**
2. Primo riscaldamento dell'evaporatore
  - a. Selezionare nel comando della sauna una temperatura bassa e un'alta umidità dell'aria.
  - b. Riscaldare l'evaporatore con una quantità d'acqua pari alla metà (vedi a pagina **20**)  
**NON rimanere nella cabina durante questo arco di tempo.**
  - c. Disattivare il comando della sauna dopo ca. 15 minuti.
  - d. Lasciar raffreddare l'evaporatore (per circa mezz'ora).
  - e. Svuotare il serbatoio dell'acqua (vedi **Riempimento dell'evaporatore** a pagina **20**)
  - f. Ripetere il punto 2.b.
  - g. Aerare bene la cabina dopo il primo riscaldamento.
  - h. Se al successivo riscaldamento non si produce alcun odore e fumo, si può procedere alla prima sauna.  
Se continuano a prodursi odore e fumo, uscire immediatamente dalla cabina della sauna e ripetere la procedura del primo riscaldamento con successiva aerazione.

## 6. Impiego

---



### **AVVERTENZA!**

#### ***Pericolo di incendio***

Gli oggetti infiammabili che poggiano sulla stufa calda, infiammandosi causano incendi.

- Non appoggiare MAI oggetti infiammabili sulla stufa.
  - Prima di mettere in funzione la stufa per sauna, assicurarsi che su quest'ultima NON poggino oggetti infiammabili.
- 

Il comando della stufa per sauna avviene mediante un dispositivo di comando della sauna. Per informazioni sul comando della sauna leggere il manuale di istruzioni dell'apparecchio utilizzato. Osservare che la stufa per sauna Concept R combi è adatta solo per comandi della sauna senza funzione di avvio remoto.

---



Con il disinserimento di sicurezza disponibile come opzione (CP-R-SWL), la stufa per sauna Concept R combi è adatta anche per i comandi della sauna CON funzione di avvio remoto.

---

### **6.1. Funzionamento sauna finlandese**

Nel funzionamento a sauna finlandese, si attiva solo il sistema di riscaldamento. Durante il funzionamento della sauna è presente aria calda e secca. La temperatura nella cabina è elevata (80–100°C). Il livello di umidità è basso e corrisponde al massimo al 10%. La temperatura nella cabina della sauna è regolata dal comando della sauna.

Al termine della sauna è possibile eseguire una gettata di vapore. A tal fine versare acqua con un mestolo sulle pietre. Così facendo l'acqua evapora e l'umidità dell'aria nella cabina aumenta.

Durante la gettata di vapore, osservare i seguenti punti:

- Per la gettata di vapore utilizzare solo acqua del rubinetto. L'acqua salata e l'acqua contenente molto calcare e cloro possono danneggiare la stufa della sauna.
- Utilizzare solo aromi e oli essenziali adatti per essere utilizzati come sostanze per la gettata di vapore nelle saune. Osservare le indicazioni del produttore presenti sulla confezione delle essenze utilizzate per la gettata di vapore.
- Non versare l'acqua troppo velocemente sulle pietre. Solo così l'acqua per la gettata di vapore evapora completamente.

## 6.2. Funzionamento combinato

Con il funzionamento combinato, si attivano il sistema di riscaldamento e l'evaporatore. La temperatura nella cabina della sauna è inferiore rispetto alla sauna finlandese (ca. da 40 a 65°C), però l'umidità relativa dell'aria è notevolmente maggiore, con valori compresi fra 35% e circa 70%. L'umidità dell'aria massima consentita scende con l'aumentare della temperatura. La temperatura e l'umidità dell'aria nella cabina della sauna sono regolate dal comando della sauna.

Il contenitore dell'evaporatore deve essere riempito a mano. Quando il serbatoio di acqua nel contenitore dell'evaporatore è vuoto, la protezione dal surriscaldamento disattiva automaticamente il riscaldamento dell'evaporatore. La mancanza di acqua viene comunicata al comando della sauna e lì viene visualizzata ad es. con un segnale acustico e con il messaggio "FILL".



Con il set di Auto Refill (CP-RC-AF) è possibile effettuare un collegamento fisso con la tubazione dell'acqua e quindi riempire automaticamente il contenitore dell'evaporatore.

IT

### ATTENZIONE!

#### ***Danneggiamento dell'evaporatore***

Acqua salata, acqua calcarea e con aggiunta di cloro, erbe, essenze o aromi possono danneggiare l'evaporatore.

- Riempire il contenitore dell'evaporatore solo con acqua di rubinetto.
- Non mettere erbe, essenze o aromi direttamente nel contenitore dell'evaporatore, ma solo nella vaschetta in ceramica sopra l'evaporatore.
- Decalcificare regolarmente l'evaporatore (vedi **7.6.** a pagina **24**).

## Riempimento dell'evaporatore



### ATTENZIONE!

#### *Pericolo di ustioni*

Quando si mette l'acqua nel contenitore dell'evaporatore acceso, si forma vapore caldo.

- NON versare MAI acqua sul contenitore dell'evaporatore caldo.
- Controllare e riempire sempre il contenitore dell'evaporatore prima di avviare il dispositivo in funzionamento combinato.
- Se la protezione dal surriscaldamento ha disattivato la produzione di calore dell'evaporatore o se il comando della sauna segnala la mancanza di acqua, lasciar raffreddare l'evaporatore PRIMA di versare acqua all'interno del suo contenitore.



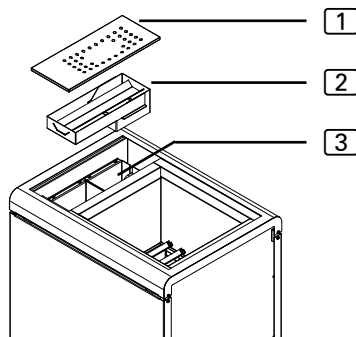
### ATTENZIONE!

#### *Pericolo di ustioni*

Se il contenitore dell'evaporatore è troppo pieno, l'acqua bollente schizza fuori.

- Riempire il contenitore dell'evaporatore solo fino al segno di livello massimo.

1. Estrarre la vaschetta in ceramica [1] e l'imbuto del vapore [2].
2. Posizionare un contenitore di raccolta (almeno da 5 litri) sotto il rubinetto a sfera alla base dell'evaporatore.
3. Girare il rubinetto a sfera a sinistra fino a che non esce tutta l'acqua residua.
4. Una volta che il contenitore dell'evaporatore [3] è vuoto, chiudere il rubinetto a sfera.
5. Riempire il contenitore dell'evaporatore [3] con acqua fresca del rubinetto fino al segno di livello massimo. Sono necessari circa 5 litri di acqua. Con questa quantità, l'evaporatore funziona per circa un'ora.
6. Riposizionare la vaschetta in ceramica [1] e l'imbuto del vapore [2].



## Uso di aromi ed erbe

Se si preferisce, è possibile aggiungere aromi o erbe essiccate nella vaschetta in ceramica. Procedere nel seguente modo:

- Non mettere gli aromi direttamente nel contenitore dell'evaporatore.
- Riempire la vaschetta in ceramica con attenzione, affinché gli aromi non gocciolino attraverso i fori della vaschetta nel contenitore dell'evaporatore.
- Osservare le indicazioni del produttore presenti sulla confezione delle erbe e degli aromi.

## 7. Manutenzione

### 7.1. Pause di funzionamento prolungate

In caso di condizioni ambientali umide o in seguito a pause di funzionamento prolungate, si accumula umidità nelle resistenze. Questo è un processo fisico e non un errore del produttore. L'umidità nelle resistenze può far scattare l'interruttore differenziale di protezione. Per eliminare il problema in questo caso informare un elettricista (vedi capitolo 8. **Risoluzione del problema con l'intervento di un installatore**).



Riscaldare la stufa della sauna ogni 5, 6 settimane per ca. 15 minuti. In questo modo si impedisce l'accumulo d'acqua nelle resistenze in caso di pause di funzionamento prolungate.

### 7.2. Pulizia della stufa per sauna

Assicurarsi che le bocchette di aerazione siano libere da pelucchi e polvere. In questo modo si evita che diminuisca la circolazione dell'aria nella stufa e il surriscaldamento del dispositivo.

### 7.3. Sostituzione delle pietre

Le pietre subiscono forti sollecitazioni da parte delle sostanze per la gettata di vapore e dalle grandi differenze di temperatura che possono presentarsi con l'uso. Le pietre possono consumarsi o diventare friabili.

Controllare le pietre a intervalli regolari e sostituirle almeno una volta l'anno.



#### **AVVERTENZA!**

#### ***Pericolo d'incendio per surriscaldamento***

Se la stufa per sauna viene utilizzata senza pietre, le pareti della cabina si riscaldano molto. Per questo motivo possono verificarsi incendi.

- Non mettere MAI in funzione la stufa per sauna senza pietre.

1. Rimuovere le pietre vecchie.
2. Eliminare dal contenitore delle pietre residui di calcare, polvere e altre impurità.
3. Prima di utilizzare le pietre per la sauna, lavarle accuratamente con una spazzola e acqua. Non utilizzare additivi per la pulizia.
4. Prima di mettere le pietre nella stufa, controllare se sono presenti corpi estranei e rimuovere i resti dell'imballaggio.
5. Mettere le pietre per sauna nell'apposito contenitore. Collocare le pietre per sauna in modo non troppo ravvicinato, affinché l'aria possa circolare fra gli spazi.
6. Assicurarsi che le pietre non sporgano oltre il bordo del contenitore.

#### **7.4. Pulizia del contenitore dell'evaporatore**

Svuotare e pulire il contenitore dell'evaporatore dopo ogni utilizzo.

Procedere nel seguente modo:

1. Attendere che l'acqua dell'evaporatore si raffreddi.
2. Posizionare un contenitore sotto il rubinetto a sfera alla base dell'evaporatore.
3. Girare il rubinetto a sfera a sinistra fino a che non esce tutta l'acqua residua.
4. Una volta che il contenitore dell'evaporatore è vuoto, chiudere il rubinetto a sfera.
5. Estrarre la vaschetta in ceramica e l'imbuto del vapore.
6. Pulire il contenitore dell'evaporatore e l'imbuto del vapore con una spazzola a setole artificiali. Risciacquare con acqua.
7. Riposizionare la vaschetta in ceramica e l'imbuto del vapore.

#### **7.5. Pulizia della vaschetta in ceramica**

Lavare la vaschetta in ceramica per le erbe e le essenze nella lavastoviglie quando necessario.



## 7.6. Decalcificazione del contenitore dell'evaporatore

Decalcificare il contenitore dell'evaporatore quando necessario. Utilizzare un anticalcare per utensili domestici. Osservare le disposizioni e gli avvisi di sicurezza del produttore.

1. Preparare la soluzione anticalcare secondo le indicazioni del produttore.
2. Riempire l'evaporatore con la soluzione anticalcare fino al segno del livello massimo.
3. Lasciar bollire la soluzione anticalcare per 10 minuti.
4. Attendere che la soluzione anticalcare nell'evaporatore si raffreddi.
5. Posizionare un contenitore sotto il rubinetto a sfera alla base dell'evaporatore e svuotare il contenitore dell'evaporatore.
6. Risciacquare il contenitore dell'evaporatore 2 volte con acqua di rubinetto.

## 8. Risoluzione del problema con l'intervento di un installatore

### *Riscaldamento delle resistenze*

In caso di condizioni ambientali umide o in seguito a pause di funzionamento prolungate, può accumularsi umidità nelle resistenze. Questo è un processo fisico e non un errore del produttore. L'umidità nelle resistenze, in alcuni casi, può far scattare l'interruttore differenziale di protezione.

In questo caso è necessario riscaldare la stufa in presenza di un elettricista. A tal fine, la funzione di protezione dell'interruttore differenziale deve essere disattivata. Il processo di riscaldamento dura ca. 10 minuti. Dopodiché ripristinare la funzione di protezione dell'interruttore differenziale.

Se il problema persiste, rivolgersi al proprio fornitore.

## 9. Smaltimento



- Smaltire i materiali dell'imballaggio conformemente alle normative sullo smaltimento vigenti.
- I vecchi apparecchi contengono materiali riciclabili ma anche sostanze dannose. Non gettare mai l'apparecchio usato insieme ai rifiuti non riciclabili, bensì smaltirlo in conformità alle norme vigenti a livello locale.

## 10. Specifiche tecniche

Le dimensioni di Concept R combi sono visibili nella **Fig. 6**.

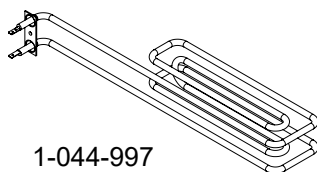
Numero articolo	Potenza sistema di riscaldamento [kW]	Potenza evaporatore [kW]	Volume della cabina [m <sup>3</sup> ]	Dimensione minima bocchetta di aerazione [mm]
CP-RCB-090	9,0	2,5	9 - 14	350 x 50
CP-RCB-105	10,5	2,5	10 - 15	350 x 60

Numero articolo	Peso senza pietre [kg]	Quantità di pietre [kg]	Protezione [A]	Alimentazione
CP-RCB-090	34	ca. 25	3 x 16	400 VAC 3N~ 50/60 Hz  230 VAC 1N~ 50/60 Hz
CP-RCB-105	34	ca. 25	3 x 16	400 VAC 3N~ 50/60 Hz  230 VAC 1N~ 50/60 Hz

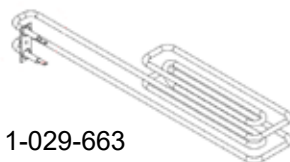
Numero articolo	Resistenze
CP-RBC-090	6 x SCA150 (1-028-518)
CP-RBC-105	3 x SCA150 (1-028-518) / 3 x SCA200 (1-028-503)

### Evaporatore Resistenze

1 x 1-044-997 / 1-029-663 (vecchio)



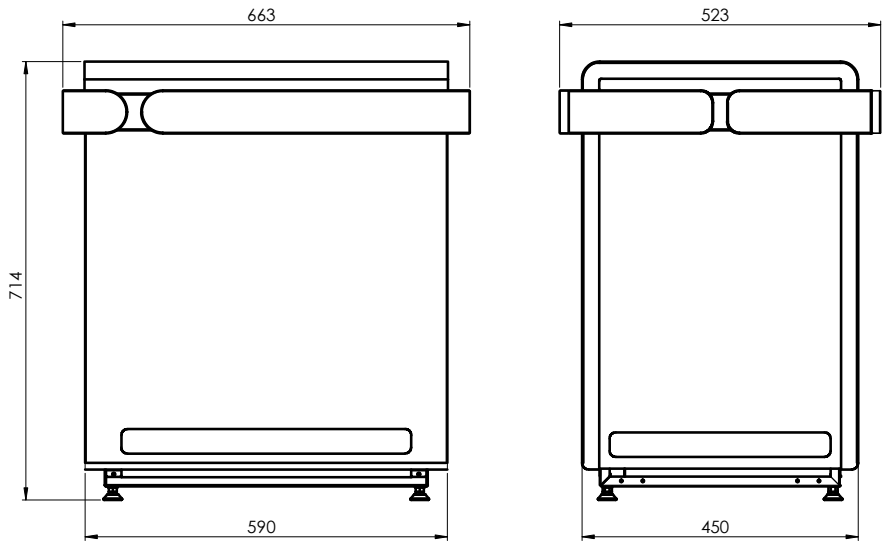
1-044-997



1-029-663

## 11. Dimensioni

Fig. 6 Dimensioni di Concept R combi 9 kW e 10,5 kW



Misure in mm

IT



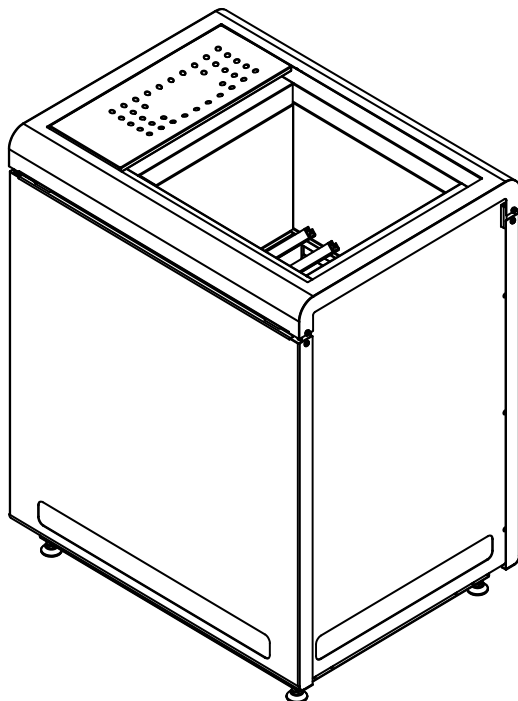
# Saunakachel

## Concept R combi black

CP-RCB-090 / 1-027-775: Concept R combi 9,0 kW

CP-RCB-105 / 1-027-776: Concept R combi 10,5 kW

### MONTAGE- EN GEBRUIKSAANWIJZING Nederlands



NL

# Inhoudsopgave

<b>1. Over deze handleiding</b>	<b>4</b>
<b>2. Belangrijke aanwijzingen voor uw veiligheid</b>	<b>5</b>
2.1. Reglementair gebruik	5
2.2. Veiligheidsaanwijzingen voor de monteur	6
2.3. Veiligheidsaanwijzingen voor de gebruiker	7
<b>3. Productbeschrijving</b>	<b>9</b>
3.1. Leveromvang	9
3.2. Toebehoren	9
3.3. Productfuncties	9
<b>4. Montage en aansluiting</b>	<b>10</b>
4.1. Plaats van opstelling en voelerpositie	10
4.2. Veiligheidsafstanden	11
4.3. Hoogte verstellen	11
4.4. Aansluitschema voor 400V 3N~	12
4.5. Aansluitschema voor 230V 1N~	13
4.6. Elektrische aansluiting	14
<b>5. Inbedrijfstelling</b>	<b>16</b>
5.1. Steenhouder vullen	16
5.2. Keramische schaal plaatsen	16
5.3. Eerste keer verwarmen	17
<b>6. Bediening</b>	<b>18</b>
6.1. Finse sauna	18
6.2. Combibedrijf	19

<b>7. Onderhoud</b>	<b>21</b>
7.1. Langere bedrijfspauzes.....	21
7.2. Saunakachel reinigen.....	21
7.3. Saunastenen wisselen.....	21
7.4. Verdampreservoir reinigen .....	22
7.5. Keramische schaal reinigen.....	22
7.6. Verdampreservoir ontkalken.....	23
<b>8. Oplossen van problemen door de monteur</b>	<b>23</b>
<b>9. Afvoer</b>	<b>23</b>
<b>10. Technische gegevens</b>	<b>24</b>
<b>11. Afmetingen</b>	<b>25</b>

# 1. Over deze handleiding

Lees deze montage- en gebruiksaanwijzing goed door en bewaar deze in de buurt van de sauna. Zo kunt u te allen tijde informatie over uw veiligheid en de bediening nalezen.



U vindt deze montage- en gebruiksaanwijzing ook in het downloadbereik van onze website [www.sentiotec.com/downloads](http://www.sentiotec.com/downloads).

## **Symbolen in waarschuwingsaanwijzingen**

In deze montage- en gebruiksaanwijzing staat bij werkzaamheden die gevaarlijk kunnen zijn een waarschuwingsaanwijzing. Neem deze waarschuwingsaanwijzingen steeds in acht. Zo voorkomt u materiële schade, letsel en zelfs de dood.

In de waarschuwingsaanwijzingen worden signaalwoorden gebruikt die de volgende betekenis hebben:



### **GEVAAR!**

Als u deze waarschuwingsaanwijzing niet in acht neemt, leidt dit tot ernstig letsel of de dood.



### **WAARSCHUWING!**

Als u deze waarschuwingsaanwijzing niet in acht neemt, kan dit leiden tot ernstig letsel of de dood.



### **VOORZICHTIG!**

Als u deze waarschuwingsaanwijzing niet opvolgt, kan dit leiden tot licht letsel.

### **ATTENTIE!**

Dit signaalwoord waarschuwt voor materiële schade.

## **Andere symbolen**



Dit symbool kenmerkt tips en nuttige aanwijzingen.



Niet afdekken!



Bedieningshandleiding lezen



## **2. Belangrijke aanwijzingen voor uw veiligheid**

De saunakachel Concept R combi is gebouwd volgens de erkende veiligheidstechnische regels. Toch kunnen bij gebruik gevaren ontstaan. Neem daarom volgende veiligheidsaanwijzingen en de speciale waarschuwingaanwijzingen in de afzonderlijke hoofdstukken in acht.

### **2.1. Reglementair gebruik**

De Concept R combi is een saunakachel met geïntegreerde verdampers. De Concept R combi mag alleen voor de verwarming van saunacabines en de verhoging van de luchtvochtigheid in de saunacabine worden gebruikt. De Concept R combi mag uitsluitend worden gebruikt in combinatie met een saunabesturing zonder startfunctie op afstand.

Alleen in combinatie met de optioneel verkrijgbare veiligheidsuitschakeling (CP-R-SWL) mag de saunakachel Concept R combi ook in combinatie met een saunabesturing met startfunctie op afstand worden gebruikt.

Alleen in combinatie met de optioneel verkrijgbare veiligheidsuitschakeling (CP-R-SWL) mag de saunakachel Concept R combi ook in openbare sauna's worden gebruikt.

Elk ander gebruik geldt als niet-reglementair. Niet-reglementair gebruik kan leiden tot productbeschadiging, ernstig letsel of de dood.

## 2.2. Veiligheidsaanwijzingen voor de monteur

- Montage- en aansluitwerkzaamheden aan de saunakachel mogen uitsluitend in stroomloze toestand worden uitgevoerd.
- De montage mag alleen door een elektricien of een vergelijkbaar gekwalificeerde persoon worden uitgevoerd.
- Op de plaats van opstelling moet een volledige scheidingsinrichting met complete uitschakeling overeenkomstig de overspanningscategorie III worden aangebracht.
- Gebruik voor de aansluiting van de saunakachel uitsluitend tot 150 °C temperatuurbestendige siliconenleidingen.
- Monteer slechts één saunakachel in de cabine. De saunakachel Concept R combi mag niet samen met andere saunakachels in één saunacabine worden gebruikt.
- Plafonds en muren van de saunacabine moeten van harsarm, onbehandeld of thermisch behandeld hout zijn vervaardigd, zoals Noorse spar, Canadese den, grenen- of sparrenhout, of van materialen met houtlagen. Bij gebruik van materialen met houtlagen mogen de kleefstoffen geen formaldehyde afgeven. Indien andere materialen dan hout in de saunacabine worden gebruikt, moeten deze hitte- en roestbestendig zijn en mogen deze materialen geen negatieve invloed hebben op de gezondheid van de saunagasten.
- De hoogte van de saunacabine moet minstens 2,0 m bedragen.
- Neem de gegevens over volume en ventilatie van de saunacabine in hoofdstuk **10. Technische gegevens** op pagina **24** in acht.
- Neem bij het opstellen van de saunakachel de minimale veiligheidsafstanden in acht (zie hoofdstuk **4.2. Veiligheidsafstanden** op pagina **11**).
- Neem ook de plaatselijke bepalingen op de plaats van opstelling in acht.
- Raadpleeg voor problemen die in de montageaanwijzingen niet uitvoerig genoeg werden behandeld in het belang van uw eigen veiligheid uw leverancier.

### 2.3. Veiligheidsaanwijzingen voor de gebruiker

- Het apparaat mag niet door kinderen onder 8 jaar worden gebruikt.
- Het apparaat mag door kinderen boven 8 jaar, door personen met verminderde psychische, sensorische of mentale vaardigheden en door personen met gebrek aan ervaring en kennis worden gebruikt, mits:
  - onder toezicht.
  - indien veilig gebruik werd gedemonstreerd en ze de gevaren die kunnen ontstaan, begrijpen.
- Kinderen mogen niet met het apparaat spelen.
- Kinderen onder 14 jaar mogen het apparaat alleen onder toezicht reinigen.
- Maak in het belang van uw eigen gezondheid geen gebruik van de sauna, indien u onder invloed staat van alcohol, medicamenten of drugs.
- Gebruik de saunakachel in geen geval zonder saunastenen, omdat anders brand kan ontstaan.
- Verwarm de saunakachel en de verdamper **VOOR** het eerste saunabad een half uur. Betreed gedurende deze tijd de saunacabine **NIET**. Ventileer de saunacabine vervolgens grondig (zie **5.3. Eerste keer verwarmen** op pagina **17**).
- Controleer of er geen brandbare voorwerpen op de saunakachel liggen voordat u de saunabesturing inschakelt.

- Raak de saunakachel tijdens bedrijf nooit aan. Het oppervlak van de saunakachel en de saunastenen worden zeer heet.
- Giet NOOIT water in het hete verdamperreservoir. Controleer en vul het verdamperreservoir elke keer voor starten van combibedrijf. Als de oververhittingsbeveiliging de verwarming van de verdamper heeft uitgeschakeld of uw saunabesturing een watertekort meldt, laat de verdamper dan afkoelen VOORDAT u water in het verdamperreservoir giet.
- Raadpleeg voor problemen die in de gebruiksaanwijzing niet uitvoerig genoeg werden behandeld in het belang van uw eigen veiligheid uw leverancier.

## 3. Productbeschrijving

### 3.1. Leveromvang

- Saunakachel
- Montage- en gebruiksaanwijzing
- Keramische schaal voor kruiden en geurstoffen

### 3.2. Toebehoren

<i>Toebehoren</i>	<i>Artikelnummer</i>
Auto-Refill-Set	CP-RC-AF
Veiligheidsuitschakeling	CP-R-SWL
Houderset voor kachelreling	CP-R-HSR
LINDE houten reling groot	CP-R-L2
WALNOOT houten reling groot	CP-R-L2
Set houten reling LINDE groot	CPR-EMO-L2
Set houten reling WALNOOT groot	CPR-EMO-N2

### 3.3. Productfuncties

De saunakachel Concept R combi is een combikachel. Volgende bedrijfsmodi zijn mogelijk:

- **Finse sauna:** normaal 80 tot 100 °C; ca. 10% rel. luchtvochtigheid
- **Combibedrijf** (alleen in combinatie met een combibesturing): ca. 40 tot 65 °C, 35% tot ca. 70% luchtvochtigheid. De maximaal toegestane luchtvochtigheid daalt met stijgende temperatuur.  
Indien gewenst, kunt u in combibedrijf geurstoffen of gedroogde kruiden in de keramische schaal boven de verdamper doen. De stijgende damp doet etherische oliën uit de kruiden ontsnappen resp. verdeelt de geurstoffen in de saunacabine.

## 4. Montage en aansluiting

Neem volgende punten in acht bij het opstellen en aansluiten van de saunakachel:



### **WAARSCHUWING!**

#### ***Gevaar voor elektrische schok***

- Voer de montage- en aansluitwerkzaamheden aan de saunakachel alleen in stroomloze toestand uit.

- 
- De elektrische aansluiting mag alleen door een electricien of een vergelijkbaar gekwalificeerde persoon worden uitgevoerd.
  - Op de plaats van opstelling moet een volledige scheidingsinrichting met complete uitschakeling overeenkomstig de overspanningscategorie III worden aangebracht.
  - De saunakachel Concept R combi is een standkachel. Bevestiging aan de ondergrond of aan de saunawand is niet nodig.
  - Plaats de saunakachel niet op een ondergrond van licht ontvlambaar materiaal zoals hout of kunststof. Een geschikte ondergrond is bijvoorbeeld keramiek.

### 4.1. Plaats van opstelling en voelerpositie

Plaats de kachel in het midden voor de luchtinlaat in de cabinewand. Houd hierbij de in **afb. 1** aangegeven veiligheidsafstanden tot de cabinewand aan.

Monteer de temperatuurvoeler met oververhittingsbeveiliging aan de cabinewand boven het midden van de saunakachel. Houd een afstand van 15 cm tot het cabineplafond aan.



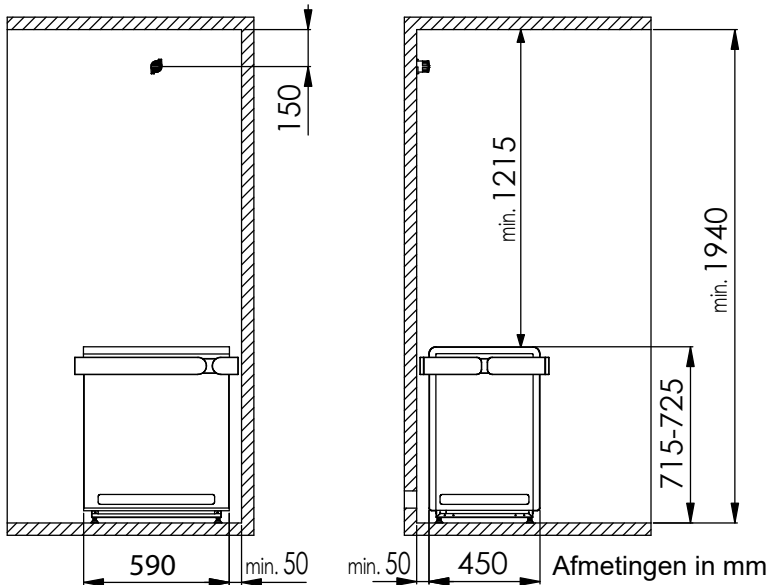
Als voor voldoende ventilatie wordt gezorgd, kan de saunakachel Concept R ook vrijstaand worden opgesteld. Monteer in dit geval de temperatuurvoeler aan het cabineplafond boven het kachelmidden.

---

## 4.2. Veiligheidsafstanden

Neem de in **afb. 1** aangegeven minimale veiligheidsafstanden in acht.

**afb. 1** Veiligheidsafstanden Concept R combi 9 kW en 10,5 kW  
(CP-RCB-090 / CP-RCB-105)

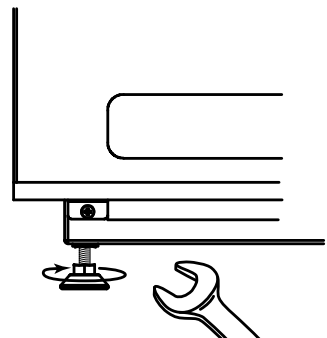


## 4.3. Hoogte verstellen

De saunakachel Concept R combi beschikt over in hoogte verstelbare standvoeten. Hierdoor kan de hoogte van de saunakachel van 715 mm tot 725 mm worden ingesteld. Omdat de hoogte van elke standvoet individueel kan worden ingesteld, is aanpassing aan een niet effen ondergrond mogelijk.

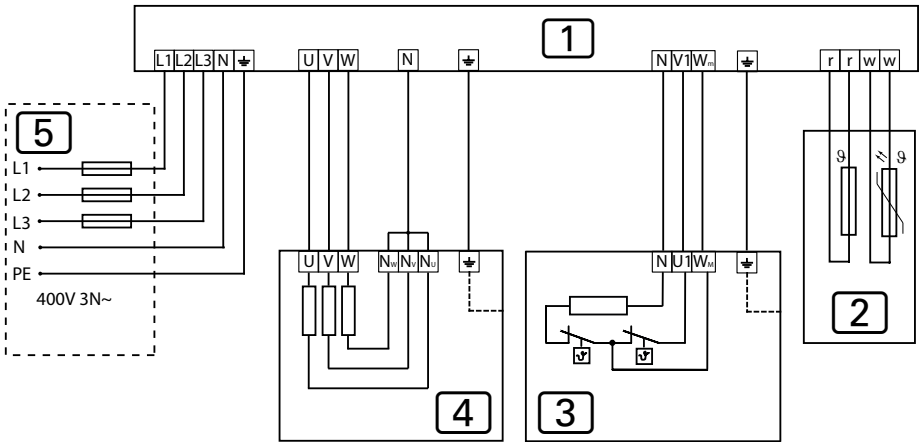
NL

1. Maak de standvoet van de saunakachel los met een steeksleutel (13 mm).
2. Til de saunakachel iets op en draai de voet naar rechts om de hoogte te verminderen. Draai naar links om de hoogte te vergroten.
3. Draai de standvoet met de steeksleutel weer vast.



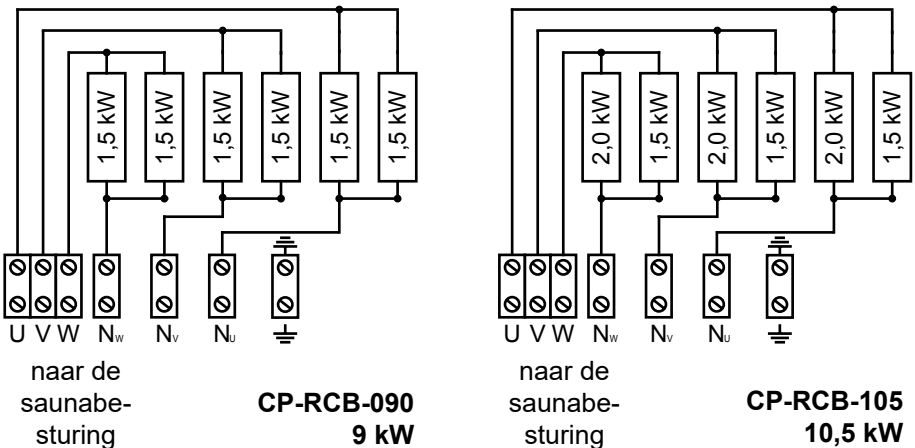
### 4.4. Aansluitschema voor 400V 3N~

afb. 2 Aansluitschema Concept R combi 9 kW en 10,5 kW



- 1 Saunabesturing
- 2 Temperatuurvoeler met oververhittingsbeveiliging
- 3 Verdampfer
- 4 Verwarmingssysteem
- 5 Stroomvoorziening

afb. 3 Bedradingsschema's – Verwarmingssysteem



naar de saunabesturing

**CP-RCB-090**  
9 kW

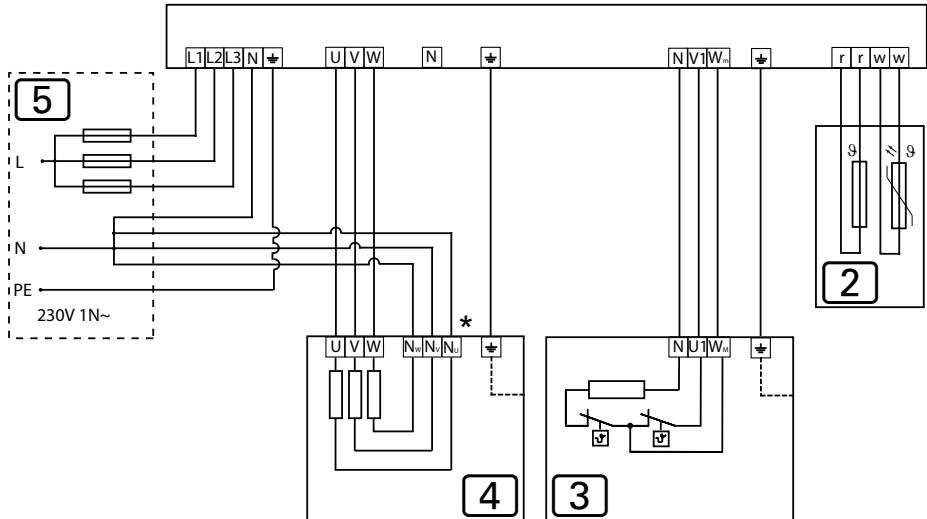
naar de saunabesturing

**CP-RCB-105**  
10,5 kW

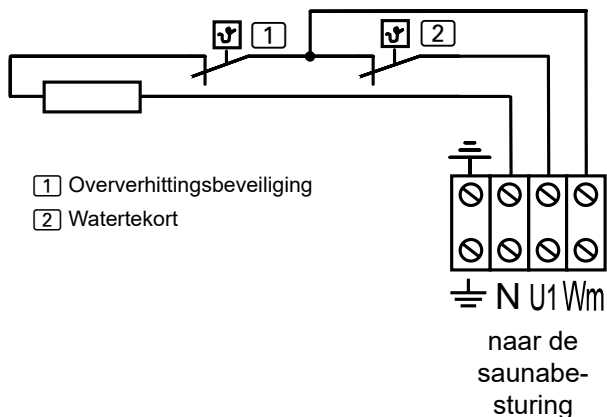


## 4.5. Aansluitschema voor 230V 1N~

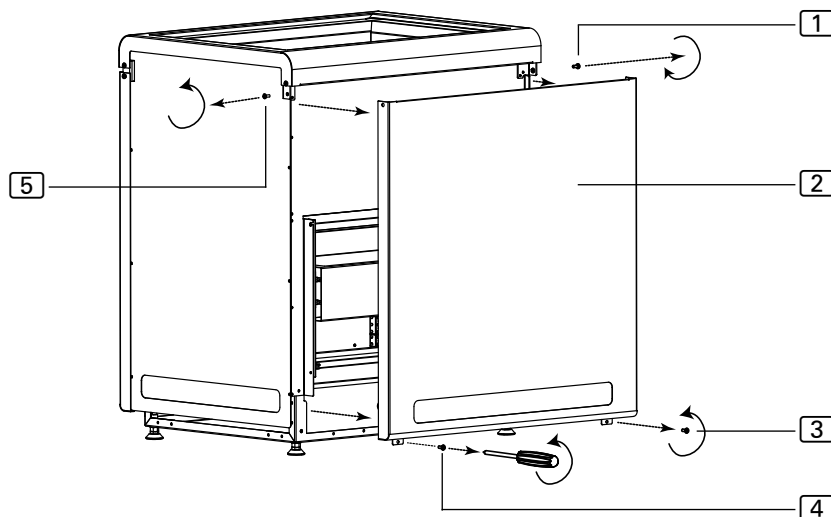
afb. 4 Aansluitschema Concept R combi 9 kW en 10,5 kW



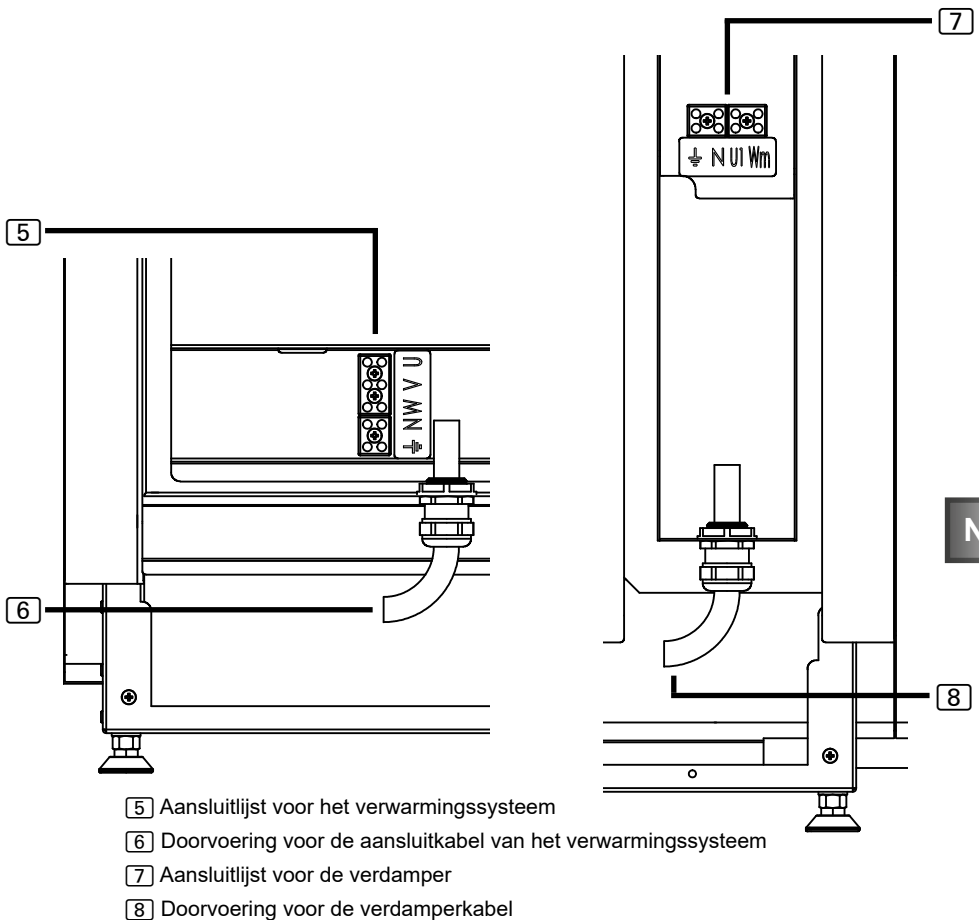
- 1 Saunabesturing
- 2 Temperatuurvoeler met oververhittingsbeveiliging
- 3 Verdampers
- 4 Verwarmingssysteem
- 5 Stroomvoorziening
- \* Koper-brug verwijderen

**afb. 5** Bedradingschema – Verdamper**4.6. Elektrische aansluiting**

1. Draai de schroeven **3** en **4** los met een schroevendraaier.
2. Draai de schroeven **1** en **5** los met een schroevendraaier.
3. Verwijder afdekplaat **2**.



4. Leid de aansluitkabel van het verwarmingssysteem door de doorvoering [6].
5. Sluit de aders van deze aansluitkabel aan op de klemmen U – V – W – N – PE van de aansluitlijst [5] en op de passende klemmen van de saunabesturing. Neem hierbij de montagehandleiding van de saunabesturing in acht.
6. Leid de verdamperkabel door de doorvoering [8].
7. Sluit de aders van de verdamperkabel aan op de klemmen PE – N – U1 – Wm van de aansluitlijst [7] en op de passende klemmen van de saunabesturing. Neem hierbij de montagehandleiding van de saunabesturing in acht.
8. Bevestig de afdekplaat [2] weer op de saunakachel.



## 5. Inbedrijfstelling

### 5.1. Steenhouder vullen

**WAARSCHUWING!*****Brandgevaar door oververhitting***

Als de saunakachel zonder saunastenen wordt gebruikt, worden de cabinewanden zeer heet. Hierdoor kan brand ontstaan.

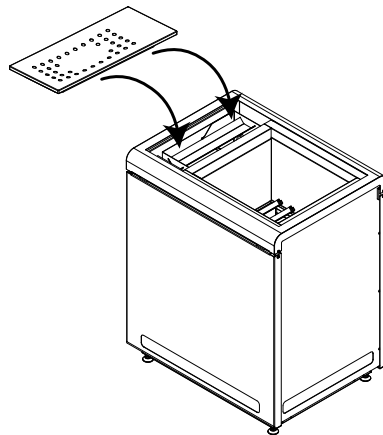
- Gebruik de saunakachel **NOOIT** zonder saunastenen.

De voor uw kachelvermogen geschikte hoeveelheid stenen vindt u in hoofdstuk **10. Technische gegevens** (zie pagina **24**).

1. Borstel de saunastenen voor gebruik grondig met water. Gebruik geen reinigingsmiddelen.
2. Controleer de stenen voor vullen in de saunakachel op vreemde deeltjes en verwijder verpakkingsresten.
3. Plaats de saunastenen in de steenhouder. Arrangeer de saunastenen los ten opzichte van elkaar, zodat nog lucht tussen de tussenruimtes kan doorstromen.
4. De saunastenen mogen niet over de rand van de steenhouder uitkomen.

### 5.2. Keramische schaal plaatsen

- Plaats de keramische schaal op het verdamperreservoir – zoals rechts afgebeeld.



### 5.3. Eerste keer verwarmen



#### **VOORZICHTIG!**

#### **Rook- en geurvorming bij de eerste keer verwarmen**

Op nieuwe verwarmingsstaven bevinden zich bedrijfsstoffen van het productieproces. Deze verdwijnen bij de eerste keer verwarmen van de saunakachel. Hierbij ontstaan rook en een onaangename geur. Als u deze dampen of de rook inademt, is dit schadelijk voor uw gezondheid.

Voer de volgende stappen uit, als u uw saunakachel **de eerste keer in bedrijf neemt** en nadat de **verwarmingsstaven van uw saunakachel vervangen** werden. Zo voorkomt u schade aan uw gezondheid door dampen en rook die ontstaan bij de eerste keer verwarmen.

1. Verwarmingsstaven de eerste keer verwarmen
  - a. Kies op de saunabediening de hoogst mogelijke temperatuur.
  - b. Verwarm de saunakachel gedurende een half uur.  
**Betreed gedurende deze tijd de saunacabine NIET.**
2. Verdampers de eerste keer verwarmen
  - a. Selecteer op de saunabesturing een lage temperatuur en een hoge luchtvochtigheid.
  - b. Verwarm de verdampers met halve waterhoeveelheid (zie pagina **20**)  
**Betreed gedurende deze tijd de saunacabine NIET.**
  - c. Na ca. 15 minuten schakelt u de saunabesturing uit.
  - d. Laat de verdampers afkoelen (ca. een half uur).
  - e. Leeg de watertank (zie **Verdampers vullen** op pagina **20**)
  - f. Herhaal punt 2.b.
  - g. Ventileer de saunacabine na de eerste keer verwarmen goed.
  - h. Als bij de volgende keer verwarmen geen rook en geuren meer ontstaan, kunt u met het eerste saunabad beginnen.  
Als opnieuw rook en geuren ontstaan, de saunacabine onmiddellijk ventileren en de eerste keer verwarmen en aansluitend luchten herhalen.

## 6. Bediening

---



### **WAARSCHUWING!**

#### ***Brandgevaar***

Brandbare voorwerpen die op de hete saunakachel liggen kunnen ontvlammen en brand veroorzaken.

- Leg **NOOIT** brandbare voorwerpen op de saunakachel.
  - Controleer of **GEEN** brandbare voorwerpen op de saunakachel liggen, alvorens de saunakachel in te schakelen.
- 

De saunakachel wordt bediend met een saunabesturing. Voor informatie over bediening van saunabesturing leest u de bedieningshandleiding van het gebruikte apparaat. Let op dat de saunakachel Concept R combi alleen geschikt is voor saunabesturingen zonder startfunctie op afstand.

---



Met optioneel verkrijgbare veiligheidsuitschakeling (CP-R-SWL) is de saunakachel Concept R combi ook geschikt voor saunabesturingen **MET** startfunctie op afstand.

---

### **6.1. Finse sauna**

Bij een Finse sauna is alleen het verwarmingssysteem in bedrijf. Er is droge warmte beschikbaar. De temperatuur in de cabine is hoog (80 tot 100 °C). De vochtigheidswaarden bedragen maximaal slechts 10%. De temperatuur in de saunacabine wordt door uw saunabesturing geregeld.

Aan het einde van de saunagang kunt u opgieten. Giet dan water met een saunalepel over de saunastenen. Hierdoor verdampt water en wordt de luchtvochtigheid in de saunacabine verhoogd.

Neem voor opgieten de volgende punten in acht:

- Gebruik voor opgieten alleen leidingwater. Zeewater, sterk kalkhoudend water en chloorwater kunnen de saunakachel beschadigen.
- Gebruik alleen geurstoffen en etherische oliën die uitdrukkelijk voor gebruik als opgiemiddel in sauna's geschikt zijn. Neem de fabrikantgegevens op de verpakking van het opgiemiddel in acht.
- Giet niet te snel water over de saunastenen. Alleen dan verdampt het opgiewater volledig.

## 6.2. Combibedrijf

In combibedrijf zijn het verwarmingssysteem en de verdamper beide in bedrijf. De temperatuur in de saunacabine is lager dan in Finse-saunabedrijf (ca. 40 tot 65 °C), maar de relatieve luchtvochtigheid is met 35% tot ongeveer 70% wel aanzienlijk hoger. De maximaal toegestane luchtvochtigheid daalt met stijgende temperatuur. De temperatuur en luchtvochtigheid in de saunacabine worden door uw saunabesturing geregeld.

Het verdamperreservoir moet handmatig worden gevuld. Als de watervoorraad in het verdamperreservoir verbruikt is, schakelt een oververhittingsbeveiliging de verwarming van de verdamper automatisch uit. Het watertekort wordt aan de saunabesturing gemeld en daar weergegeven, bijvoorbeeld door een akoestische waarschuwingston en de melding „FILL”.



Met de Auto-Refill-Set (CP-RC-AF) is een vaste-wateraanluiting en zo een automatische vulling van het verdamperreservoir mogelijk.

### ATTENTIE!

#### **Beschadiging van de verdamper**

Zeewater, sterk kalkhoudend water en chloorwater, kruiden, essenties of geurstoffen kunnen de saunakachel beschadigen.

- Vul het verdamperreservoir alleen met leidingwater.
- Doe kruiden, essenties of geurstoffen niet direct in het verdamperreservoir, maar in de keramische schaal boven de verdamper.
- Ontkalk de verdamper regelmatig (zie **7.6** op pagina **24**).

**Verdamper vullen****VOORZICHTIG!****Verbrandingsgevaar**

Als u water in het hete verdamperreservoir giet, ontstaat hete damp.

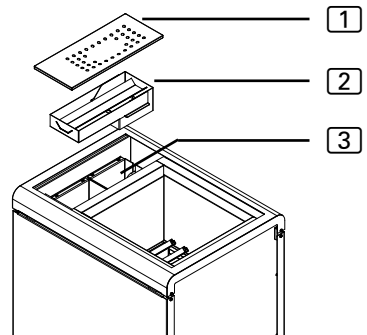
- Giet **NOOIT** water in het hete verdamperreservoir.
- Controleer en vul het verdamperreservoir elke keer voor starten van combibedrijf.
- Als de oververhittingsbeveiliging de verwarming van de verdamper heeft uitgeschakeld of uw saunabesturing een watertekort meldt, laat de verdamper dan afkoelen **VOORDAT** u water in het verdamperreservoir giet.

**VOORZICHTIG!****Verbrandingsgevaar**

Als het verdamperreservoir te vol is, spuit kokend water uit het verdamperreservoir.

- Vul het verdamperreservoir slechts tot de maximummarkering.

1. Verwijder de keramische schaal **1** en de damptrechter **2**.
2. Stel een opvangreservoir (minstens 5 liter) onder de kogelkraan van de verdamperbodem.
3. Draai de kogelkraan naar links tot het restwater wegstroomt.
4. Als het verdamperreservoir **3** leeg is, de kogelkraan sluiten.
5. Vul het verdamperreservoir **3** met vers leidingwater tot de maximummarkering. Hiervoor is ongeveer 5 liter nodig. Met deze waterhoeveelheid kan de verdamper ongeveer 1 uur worden bedreven.
6. Plaats de keramische schaal **1** en de damptrechter **2**.





## **Gebruik van geurstoffen en kruiden**

Indien gewenst, kunt u geurstoffen of gedroogde kruiden in de keramische schaal doen. Neem hierbij volgende punten in acht:

- Plaats geurstoffen niet direct in het verdamperreservoir.
- Vul de keramische schaal voorzichtig zodat de geurstoffen niet door de gaten van de keramische schaal in het verdamperreservoir druppelen.
- Neem de fabrikantgegevens op de verpakking van de kruiden en geurstoffen in acht.

## **7. Onderhoud**

### **7.1. Langere bedrijfspauzes**

In vochtige omgevingen of bij lange bedrijfspauzes verzamelt zich vocht in de verwarmingsstaven. Dit is een fysisch proces en geen fout van de fabrikant. Het vocht in de verwarmingsstaven kan leiden tot het activeren van de aardlekschakelaar. Raadpleeg in dit geval een elektricien om de storing te verhelpen (zie hoofdstuk 8. **Oplossen van problemen door de monteur**).



Verwarm de saunakachel elke 5 tot 6 weken gedurende ca. 15 minuten. Zo voorkomt u dat zich na langere bedrijfspauzes water in de verwarmingsstaven verzamelt.

### **7.2. Saunakachel reinigen**

De ventilatieopeningen moeten vrij zijn van pluizen en stof. Zo wordt voorkomen dat de luchtcirculatie in de saunakachel wordt gereduceerd en het apparaat oververhit raakt.

### **7.3. Saunastenen wisselen**

Opgietmiddel en grote temperatuurverschillen tijdens gebruik zijn van invloed op saunastenen. De saunastenen kunnen worden aangetast en breekbaar worden.

Controleer de saunastenen regelmatig en vervang de stenen jaarlijks.



#### **WAARSCHUWING!**

#### ***Brandgevaar door oververhitting***

Als de saunakachel zonder saunastenen wordt gebruikt, worden de cabinewanden zeer heet. Hierdoor kan brand ontstaan.

- Gebruik de saunakachel **NOOIT** zonder saunastenen.

1. Verwijder de oude saunastenen.
2. Verwijder kalkresten, stof en andere verontreinigingen van de steenhouder.
3. Borstel de saunastenen voor gebruik grondig met water. Gebruik geen reinigingsmiddelen.
4. Controleer de stenen voor vullen in de saunakachel op vreemde deeltjes en verwijder verpakkingsresten.
5. Plaats de saunastenen in de steenhouder. Arrangeer de saunastenen los ten opzichte van elkaar, zodat nog lucht tussen de tussenruimtes kan doorstromen.
6. De saunastenen mogen niet over de rand van de steenhouder uitkomen.

#### **7.4. Verdampersreservoir reinigen**

Leeg en reinig het verdampersreservoir na elk gebruik. Voer hiervoor volgende stappen uit:

1. Wacht tot het water in de verdamper is afgekoeld.
2. Stel een opvangreservoir onder de kogelkraan van de verdamperbodem.
3. Draai de kogelkraan naar links tot het restwater wegstroomt.
4. Als het verdampersreservoir leeg is, de kogelkraan sluiten.
5. Verwijder de keramische schaal en de damptrechter.
6. Reinig het verdampersreservoir en de damptrechter met een kunststofborstel. Spoel na met water.
7. Plaats de keramische schaal en de damptrechter.

#### **7.5. Keramische schaal reinigen**

Reinig de keramische schaal voor kruiden en geurstoffen indien nodig in de vaatwasmachine.

## 7.6. Verdampersreservoir ontkalken

Ontkalk het verdampersreservoir indien nodig. Gebruik hiervoor een ontcalcingsmiddel voor huishoudelijke apparaten. Neem daarbij de instructies en de veiligheidsaanwijzingen van de fabrikant in acht.

1. Maak de ontcalcingsoplossing volgens fabrikantinstructies.
2. Vul de verdampers tot de maximummarkering met de ontcalcingsoplossing.
3. Laat de ontcalcingsoplossing 10 minuten koken.
4. Wacht tot de ontcalcingsoplossing in de verdampers is afgekoeld.
5. Stel een opvangreservoir onder de kogelkraan van de verdampersbodemplaat en leeg het verdampersreservoir.
6. Spoel het verdampersreservoir 2 keer met leidingwater.

## 8. Oplossen van problemen door de monteur

### *Verwarmingsstaven verwarmen*

Vochtige omgevingsomstandigheden of lange bedrijfspauzes kunnen leiden tot achterblijven van vocht in de verwarmingsstaven. Dit is een fysisch proces en geen fout van de fabrikant. Het vocht in de verwarmingsstaven kan eventueel leiden tot het activeren van de aardlekschakelaar.

In dit geval moet de saunakachel onder toezicht van een elektricien worden gedroogd door verwarmen. Daarom moet de zekeringfunctie van de aardlekschakelaar buiten werking worden gesteld. Drogen door verwarmen duurt ongeveer 10 minuten. Daarna moet de zekeringfunctie van de aardlekschakelaar weer worden hersteld.

Als het probleem verder bestaat, raadpleeg dan uw leverancier.

NL

## 9. Afvoer



- Voer het verpakkingsmateriaal af volgens de geldende afvoerregels.
- Oude apparaten bevatten opnieuw bruikbare materialen maar ook schadelijke stoffen. Deponeer uw oude apparaat daarom in geen geval bij het gewone afval, maar voer het apparaat af volgens de plaatselijk geldende voorschriften.

## 10. Technische gegevens

De afmetingen van de Concept R combi vindt u in **afb. 6**.

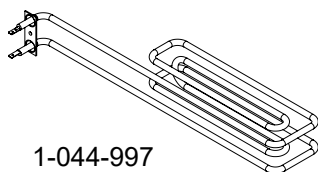
Artikel-nummer	Vermogen verwarmingssysteem [kW]	Vermogen verdamper [kW]	Cabinevolume [m <sup>3</sup> ]	Minimumgrootte ventilatieopening [mm]
CP-RCB-090	9,0	2,5	9 - 14	350 x 50
CP-RCB-105	10,5	2,5	10 - 15	350 x 60

Artikel-nummer	Gewicht zonder stenen [kg]	Steenhoeveelheid [kg]	Zekering [A]	Voeding
CP-RCB-090	34	ca. 25	3 x 16	400 VAC 3N~ 50/60 Hz  230 VAC 1N~ 50/60 Hz
CP-RCB-105	34	ca. 25	3 x 16	400 VAC 3N~ 50/60 Hz  230 VAC 1N~ 50/60 Hz

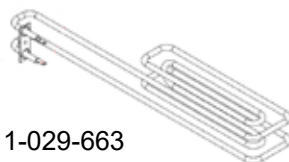
Artikel-nummer	Verwarmingsstaven
CP-RBC-090	6 x SCA150 (1-028-518)
CP-RBC-105	3 x SCA150 (1-028-518) / 3 x SCA200 (1-028-503)

### Extra verdamper Verwarmingsstaven

1 x 1-044-997 / 1-029-663 (oud)



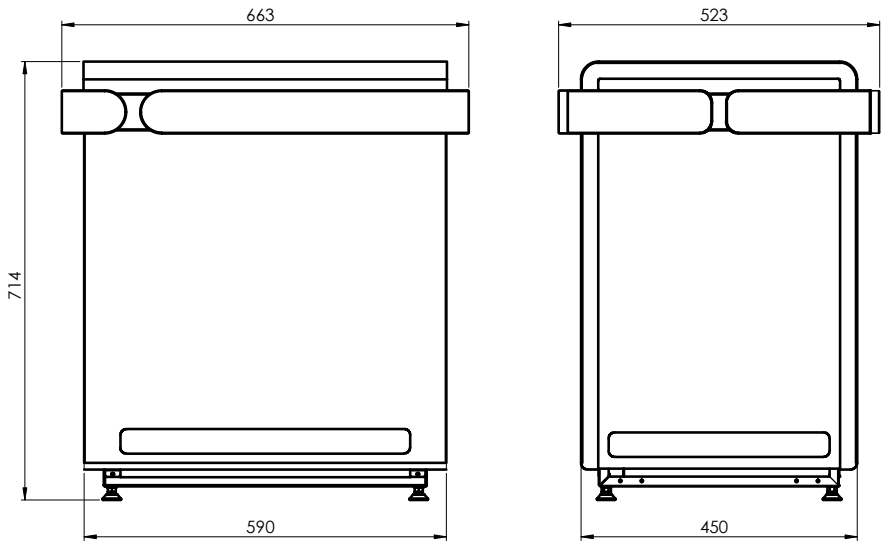
1-044-997



1-029-663

## 11. Afmetingen

**afb. 6** Afmetingen Concept R combi 9 kW en 10,5 kW



Afmetingen in mm



# Bastuaggregat

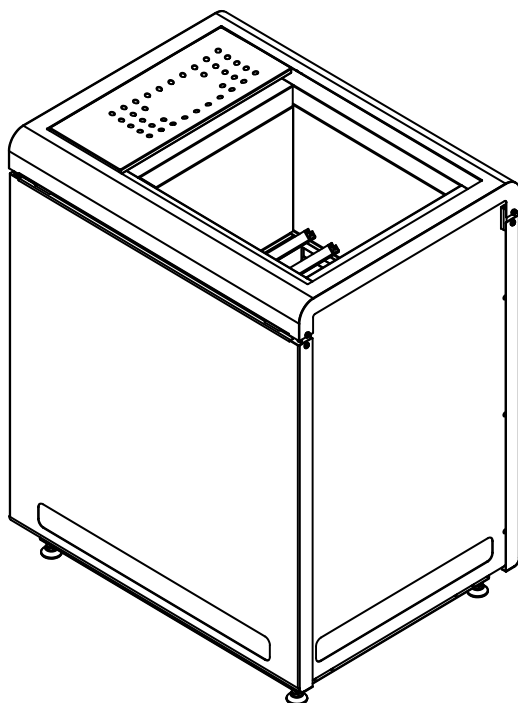
## Concept R combi black

CP-RCB-090/1-027-775: Concept R combi 9,0 kW

CP-RCB-105/1-027-776: Concept R combi 10,5 kW

### MONTERINGS- OCH BRUKSANVISNING

Svenska



SV

# Innehållsförteckning

<b>1. Om monterings- och bruksanvisningen</b>	<b>4</b>
<b>2. Viktig säkerhetsinformation</b>	<b>5</b>
2.1. Ändamålsenlig användning	5
2.2. Säkerhetsanvisningar för installatören	6
2.3. Säkerhetsanvisningar för användaren	7
<b>3. Produktbeskrivning</b>	<b>9</b>
3.1. Leveransomfattning	9
3.2. Tillbehör	9
3.3. Funktioner	9
<b>4. Installation och anslutning</b>	<b>10</b>
4.1. Uppställningsplats och givarposition	10
4.2. Säkerhetsavstånd	11
4.3. Höjdjustering	11
4.4. Kopplingsschema för 400 V 3N~	12
4.5. Kopplingsschema för 230V 1N~	13
4.6. Elanslutning	14
<b>5. Driftstart</b>	<b>16</b>
5.1. Fylla på stenbehållaren	16
5.2. Sätta in keramikskålen	16
5.3. Den första uppvärmningen	17
<b>6. Användning</b>	<b>18</b>
6.1. Finsk bastu	18
6.2. Kombidrift	19



<b>7. Underhåll</b>	<b>21</b>
7.1. Längre användningsuppehåll.....	21
7.2. Rengöring av bastuaggregatet.....	21
7.3. Byta bastustenar.....	21
7.4. Rengöring av förångarbehållaren .....	22
7.5. Rengöring av keramikskålen.....	22
7.6. Avkalkning av förångarbehållaren.....	23
<b>8. Felavhjälpning utförd av installatören</b>	<b>23</b>
<b>9. Avfallshantering</b>	<b>23</b>
<b>10. Tekniska data</b>	<b>24</b>
<b>11. Mått</b>	<b>25</b>

# 1. Om monterings- och bruksanvisningen

Läs hela monterings- och bruksanvisningen noga och förvara den sedan i närheten av bastun. Du kan då när som helst läsa de specifika säkerhets- och användningsanvisningarna.



Den här monterings- och bruksanvisningen kan även laddas ner från vår webbsida, [www.sentiotec.com/downloads](http://www.sentiotec.com/downloads).

## Symboler och varningar

I den här monterings- och bruksanvisningen används olika varningssymboler vid avsnitt som beskriver situationer som kan medföra fara eller risker av olika slag. Dessa varningar ska alltid beaktas. På så sätt undviker man sakskador och personskador, som i värsta fall kan ha dödlig utgång.

Följande signalord används:



### **FARA!**

Om de här varningarna/anvisningarna inte följs leder det till allvarliga eller livsfarliga skador.



### **VARNING!**

Om de här varningarna/anvisningarna inte följs kan det leda till allvarliga eller livsfarliga skador.



### **FÖRSIKTIGHET!**

Om de här varningarna/anvisningarna inte följs kan det leda till lindriga skador.

### **OBS!**

Varnar för sakskador.

## Övriga symboler



Används vid tips och nyttig information.



Täck inte över!



Läs bruksanvisningen

## 2. Viktig säkerhetsinformation

Bastuaggregatet Concept R har konstruerats och tillverkats enligt vedertagna säkerhetstekniska regler. Det kan ändå uppstå vissa risker under användningen. Följ alltid nedanstående säkerhetsanvisningar och observera de särskilda varningarna i resp. kapitel.

### 2.1. Ändamålsenlig användning

Concept R combi är ett bastuaggregat med integrerad förångare. Concept R combi får endast användas för uppvärmning av basturum och för höjning av luftfuktigheten i bastun. Bastuaggregatet Concept R combi får endast användas i kombination med en styrenhet utan fjärrstartfunktion.

Bastuaggregatet Concept R får endast användas tillsammans med en styrenhet med fjärrstartfunktion om det samtidigt installeras en anordning för säkerhetsavstängning (CP-R-SWL).

Bastuaggregatet Concept R combi får endast användas i allmänna bastur när det kombineras med säkerhetsavstängningen (CP-R-SWL), som kan beställas som tillval.

All annan användning betraktas som ej ändamålsenlig. Ej ändamålsenlig användning kan leda till skador på produkten och innebära risk för allvarliga eller livsfarliga skador.

## 2.2. Säkerhetsanvisningar för installatören

- Bastuaggregatet får endast installeras och anslutas i spänningslöst tillstånd.
- Montering/installation får endast utföras av elektriker.
- På plats ska en allpolig frånskiljare med komplett avstängning enligt överspänningskategori III installeras.
- Använd endast silikonkablar med värmetålighet upp till 150 °C för anslutning av bastuaggregatet.
- Installera endast ett bastuaggregat i varje basturum. Bastuaggregatet Concept R combi får inte användas i ett basturum tillsammans med andra bastuaggregat.
- Bastuns väggar och tak ska vara tillverkade av obehandlat eller termiskt behandlat trä med låg hartshalt, t.ex. nordisk gran, hemlock, tall eller ädelgran, eller av flerskikts träskivor. Om flerskikts träskivor används får limmet inte innehålla formaldehyd. Om andra material än trä används i bastun måste de vara värme- och korrosionsbeständiga och får inte utgöra någon hälsorisk för bastubadarna.
- Basturummet ska ha minst 2,0 meters takhöjd.
- Observera uppgifterna om volym och ventilation av basturummet i kapitel **10. Tekniska data** på sidan **24**.
- Observera minimiavstånden vid installation av bastuaggregatet (se kapitel **4.2. Säkerhetsavstånd** på sidan **11**).
- Följ gällande lokala bestämmelser.
- Om det uppstår problem som inte beskrivs tillräckligt detaljerat i monteringsanvisningarna, vänd dig, för din egen säkerhets skull, till leverantören/återförsäljaren.

### 2.3. Säkerhetsanvisningar för användaren

- Barn under 8 år får inte använda utrustningen.
- Under följande förutsättningar får utrustningen användas av barn över 8 år, av personer med nedsatt psykisk, sensorisk eller mental förmåga och av personer som saknar erfarenhet och kunskap om liknande utrustningar:
  - under uppsikt.
  - när de har instruerats om säker användning och känner till vilka risker som kan uppstå.
- Utrustningen är ingen leksak. Barn får inte leka med den.
- Barn under 14 år får endast rengöra utrustningen under uppsikt.
- Av hälsoskäl bör man inte bada bastu när man är påverkad av alkohol, läkemedel eller droger.
- Använd aldrig bastuaggregatet utan bastustenar - det kan medföra brandrisk.
- Värm upp bastuaggregatet och förångaren en halvtimme **INNAN** du ska använda bastun för första gången. **Vistas INTE** i basturummet under denna tid. Vädra därefter basturummet ordentligt (se **5.3. Den första uppvärmningen** på sidan **17**).

- Kontrollera att det inte finns några brännbara föremål på bastuaggregatet innan styrenheten slås på.
- Vidrör aldrig bastuaggregatet när det är igång. Bastuaggregatets yta och bastustenarna blir mycket varma.
- Häll ALDRIG vatten i den heta förångarbehållaren. Kontrollera och fyll på förångarbehållaren varje gång innan du startar kombiläget. Om överhettningsskyddet har stängt av förångarens värme, eller om styrenheten signalerar att det råder vattenbrist, låt förångaren svalna INNAN du håller i vatten i förångarbehållaren.
- Om det uppstår problem som inte beskrivs tillräckligt detaljerat i bruksanvisningen, vänd dig, för din egen säkerhets skull, till leverantören/återförsäljaren.

## 3. Produktbeskrivning

### 3.1. Leveransomfattning

- Bastuaggregat
- Monterings- och bruksanvisning
- Keramikskål för örter och doftämnen

### 3.2. Tillbehör

<i>Tillbehör</i>	<i>Artikelnummer</i>
Auto-Refill-set	CP-RC-AF
Säkerhetsavstängning	CP-R-SWL
Hållarsats för aggregatslist	CP-R-HSR
LIND trälist stor	CP-R-L2
VALNÖT trälist stor	CP-R-N2
Emotion set trälist LIND stor	CPR-EMO-L2
Emotion set trälist VALNÖT stor	CPR-EMO-N2

### 3.3. Funktioner

Bastuaggregatet Concept R combi är ett kombiaggregat. Följande driftsätt står till förfogande:

- **Finsk bastu:** vanligtvis 80 till 100 °C; ca 10 % rel. luftfuktighet
- **Kombiläge** (endast i kombination med en kombistyrenhet): ca 40 till 65 °C, 35 % till ca 70 % luftfuktighet. Den max. tillåtna luftfuktigheten blir lägre ju högre temperaturen är.  
I kombiläget kan du lägga i doftämnen eller torkade örter i keramikskålen ovanför förångaren. Den uppstigande ångan frigör eteriska oljor ur örterna eller sprider doftämnena i basturummet.

## 4. Installation och anslutning

Observera följande punkter vid installation och anslutning av bastuaggregatet:



### **VARNING!**

#### **Risk för elektriska stötar**

- Montering/installation och anslutning av bastuaggregatet får endast göras i spänningslöst tillstånd.
- 

- Elanslutningarna får endast utföras av utbildad elektriker.
- På plats ska en allpolig fränkskiljare med komplett avstängning enligt över-spänningskategori III installeras.
- Bastuaggregatet Concept R combi är ett fristående aggregat. Det behöver inte monteras fast på golvet eller på väggen.
- Placera inte bastuaggregatet på ett golv av lätt brännbart material som t.ex. trä eller plast. Lämplig golvbeläggning är t.ex. keramiklinkers.

### 4.1. Uppställningsplats och givarposition

Ställ upp aggregatet mitt framför luftintaget på bastuväggen. Observera säkerhetsavstånden till väggen som anges på **Bild 1**.

Montera temperaturgivaren med övertemperaturskydd på bastuväggen över bastuaggregatets mitt. Avståndet till bastuns tak ska vara 15 cm.



Förutsatt att det finns tillräcklig ventilation i basturummet kan bastuaggregatet Concept R även installeras fristående. Då ska temperaturgivaren installeras i taket över aggregatets mitt.

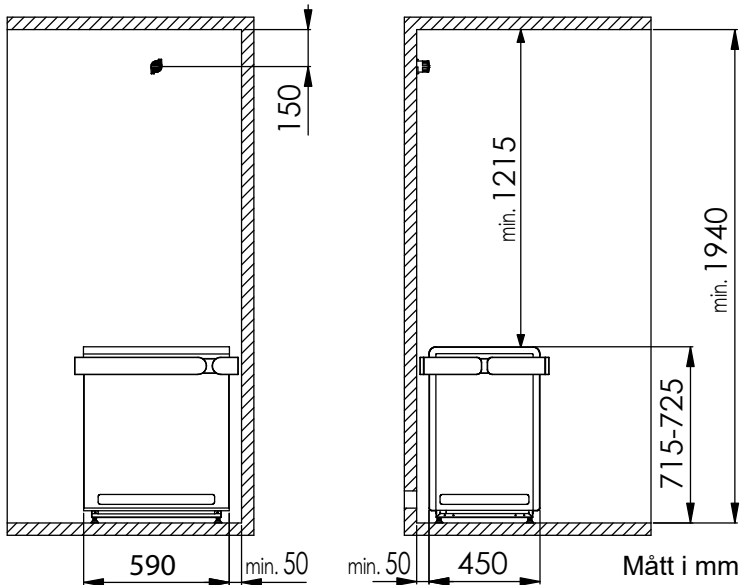
---



## 4.2. Säkerhetsavstånd

Beakta säkerhetsavstånden som anges på **Bild 1**.

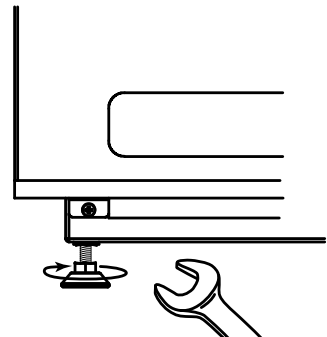
**Bild 1** Säkerhetsavstånd Concept R combi 9 kW och 10,5 kW (CP-RCB-090 / CP-RCB-105)



## 4.3. Höjdjustering

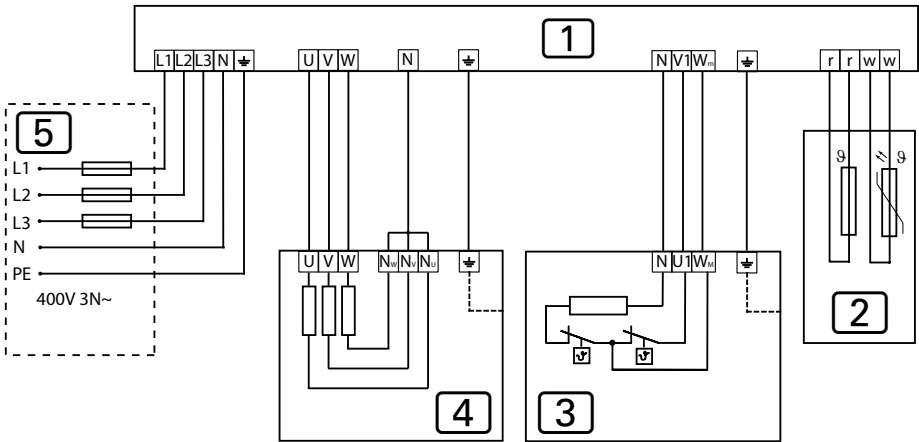
Bastuaggregatet Concept R combi har höjdjusterbara fötter. Bastuaggregatets höjd kan ställas in mellan 715 mm och 725 mm. Eftersom alla fötter kan justeras oberoende av varandra kan aggregatet även anpassas till ett ojämnt golv.

1. Lossa bastuaggregatets fot med en U-nyckel (13 mm).
2. Lyft bastuaggregatet något och vrid foten åt höger för att reducera höjden. Vrid åt vänster för att höja aggregatet.
3. Dra åt foten med U-nyckeln igen.



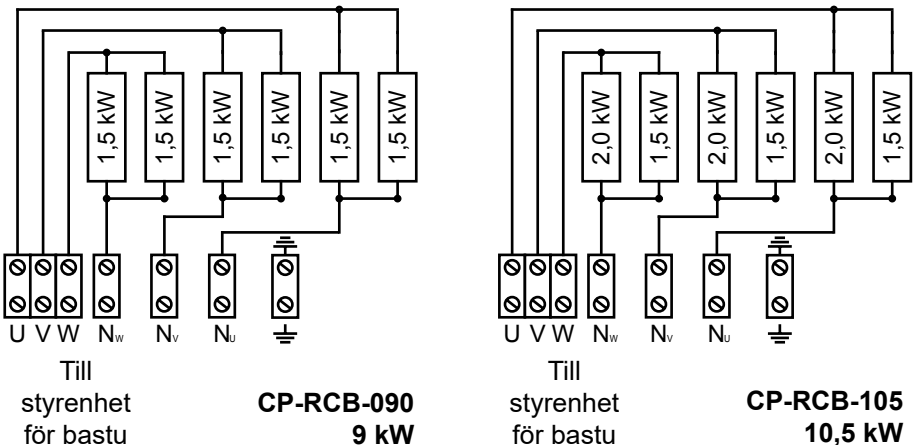
### 4.4. Kopplingschema för 400 V 3N~

**Bild 2** Kopplingschema för Concept R combi 9 kW och 10,5 kW



- 1 Styrenhet
- 2 Temperaturgivare med övertemperaturskydd
- 3 Förlängare
- 4 Värmesystem
- 5 Strömförsörjning

**Bild 3** Kopplingscheman – värmesystem



Till  
styrenhet  
för bastu

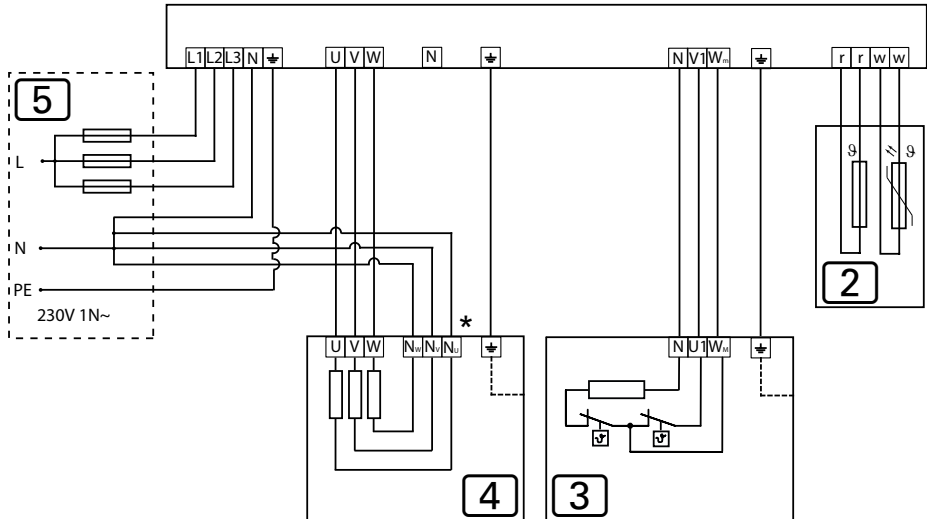
**CP-RCB-090**  
9 kW

Till  
styrenhet  
för bastu

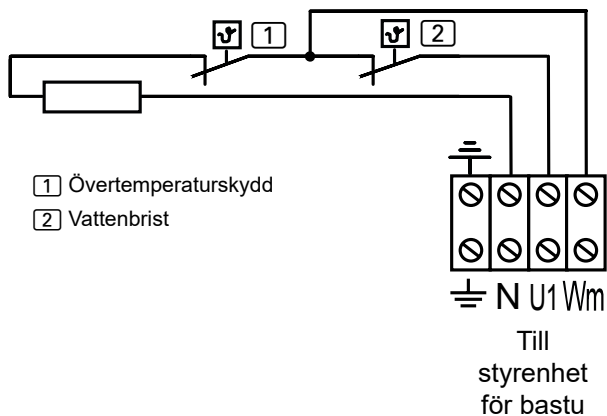
**CP-RCB-105**  
10,5 kW

## 4.5. Kopplingschema för 230V 1N~

**Bild 4** Kopplingschema för Concept R combi 9 kW och 10,5 kW

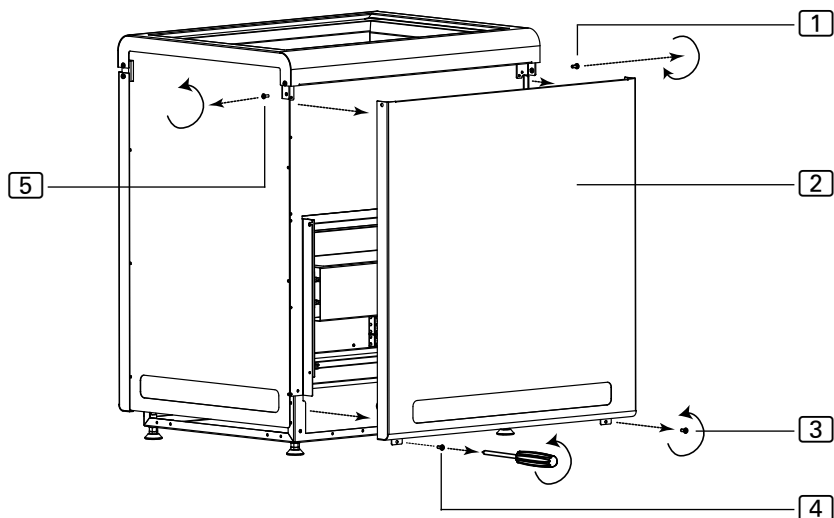


- 1 Styrenhet
- 2 Temperaturgivare med övertemperaturskydd
- 3 Förångare
- 4 Värmesystem
- 5 Strömförsörjning
- \* Borttagning av kopparbryggan

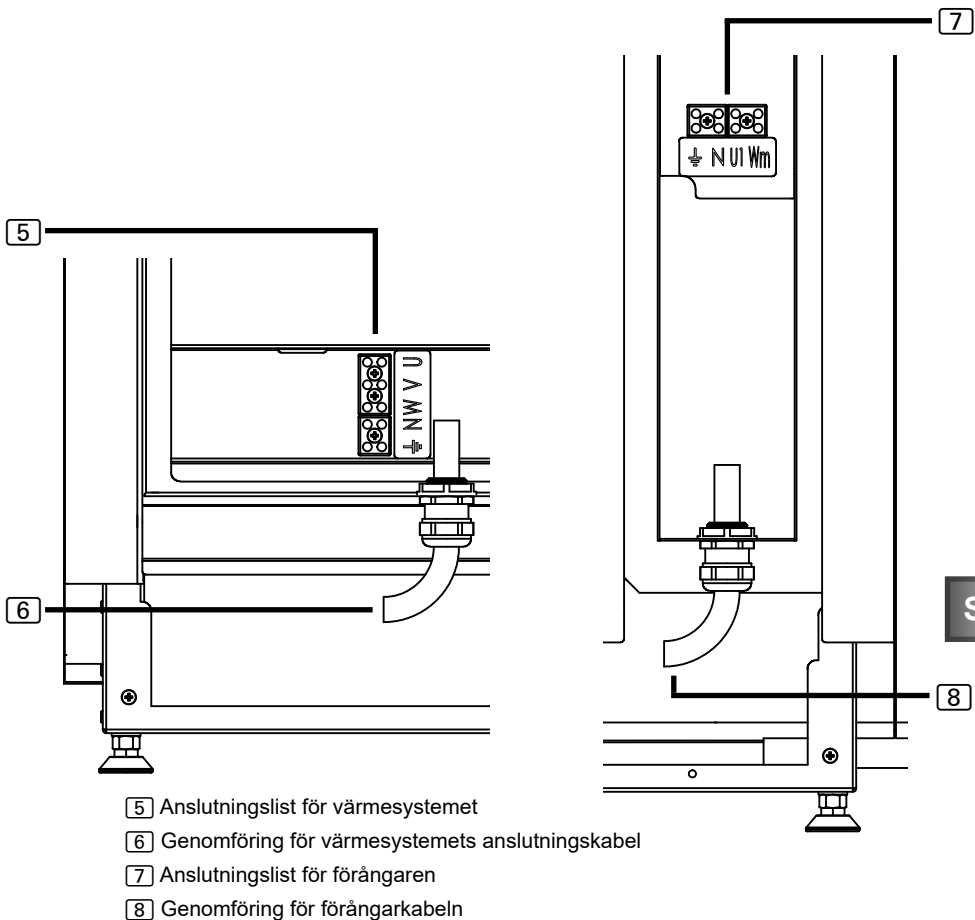
**Bild 5** Kopplingschema – förångare

## 4.6. Elanslutning

1. Skruva loss skruvarna **3** och **4** med en skruvmejsel.
2. Skruva loss skruvarna **1** och **5** med en skruvmejsel.
3. Ta bort täckplåten **2**.



4. Dra värmesystemets anslutningskabel genom genomföringen [6].
5. Anslut den här anslutningskabellens ledare till anslutningarna U – V – W – N – PE på anslutningslisten [5] och till passande anslutningar på styrenheten. Läs installationsanvisningarna för styrenheten.
6. Dra förångarkabeln genom genomföringen [8].
7. Anslut förångarkabellens ledare till anslutningarna PE – N – U1 – Wm på anslutningslisten [7] och till passande anslutningar på styrenheten. Läs installationsanvisningarna för styrenheten.
8. Montera täckplåten [2] på bastuaggregatet igen.



## 5. Driftstart

### 5.1. Fylla på stenbehållaren

**WARNING!****Brandrisk på grund av överhettning**

Om bastuaggregatet används utan bastustenar blir bastuns väggar mycket varma. Detta kan orsaka eldsvåda.

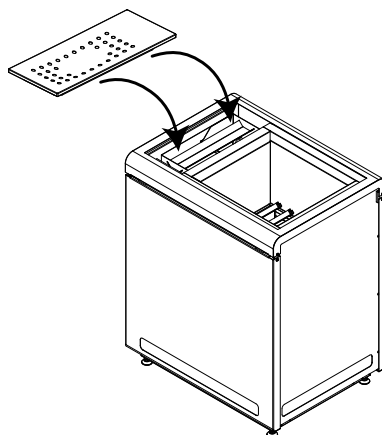
- Använd INTE bastuaggregatet utan bastustenar.

Passande mängd stenar för resp. effekt anges i kapitel **10. Tekniska data** (se sidan **24**).

1. Rengör först bastustenarna noga med vatten och en borste. Använd inga rengöringsmedel.
2. Kontrollera om det finns främmande partiklar på stenarna och ta bort alla förpackningsrester innan de läggs in i bastuaggregatet.
3. Lägg bastustenarna i stenkorgen. Lägg i bastustenarna löst på varandra så att luften kan cirkulera mellan dem.
4. Se till att stenarna inte sticker ut ovanför stenkorgens kant.

### 5.2. Sätta in keramikskålen

- Sätt keramikskålen på förångarbehållaren enligt bilden till höger.



### 5.3. Den första uppvärmningen

**AKTA!****Rök- och luktutveckling vid den första uppvärmningen**

På nya värmestavar finns det rester från tillverkningsprocessen. Dessa bryts ner när bastuaggregatet värms upp för första gången. När detta sker bildas det rök och en obehaglig lukt. Inandning av röken och ångorna utgör en hälsofara.

Följ nedanstående anvisningar när du använder bastuaggregatet **för första gången** och när **värmestavarna i bastuaggregatet har bytts ut**. På det här sättet kan du undvika skadliga effekter av ångorna och röken som bildas vid den första uppvärmningen.

1. Värma upp värmestavar för första gången
  - a. Välj den högsta möjliga temperaturen på styrenheten till bastun.
  - b. Värm upp bastuaggregatet under en halvtimme.  
**Vistas INTE i basturummet under denna tid.**
2. Värma upp förångaren för första gången
  - a. Välj en låg temperatur och en hög luftfuktighet på styrenheten.
  - b. Värm upp förångaren med hälften av vattenmängden (se sidan **20**)  
**Vistas INTE i basturummet under den här tiden.**
  - c. Efter ca 15 minuter ska man stänga av styrenheten.
  - d. Låt förångaren svalna (ca en halvtimme).
  - e. Töm vattentanken (se **Fylla på förångaren** på sidan **20**)
  - f. Upprepa punkt 2.b.
  - g. Vädra bastun ordentligt efter den första uppvärmningen.
  - h. Om ingen rök eller lukt uppstår vid nästa uppvärmning kan du börja använda bastun.  
Om rök eller lukt uppstår, lämna omedelbart basturummet, upprepa den första uppvärmningen och vädra därefter bastun igen.

## 6. Användning

---

**VARNING!****Brandrisk!**

Brännbara föremål som ligger på det varma bastuaggregatet kan antändas och orsaka eldsvåda.

- Lägg ALDRIG brännbara föremål på bastuaggregatet.
  - Kontrollera att det INTE finns några brännbara föremål på bastuaggregatet innan bastuaggregat sätts igång.
- 

Bastuaggregatet styrs via en styrenhet. Användningen av styrenheten beskrivs i tillhörande bruksanvisning. Observera att bastuaggregatet Concept R combi endast är avsett för styrenheter utan fjärrstartfunktion.



Med en anordning för säkerhetsavstängning (CP-R-SWL, tillval) kan bastuaggregatet Concept R combi även användas tillsammans med styrenheter MED fjärrstartfunktion.

---

### 6.1. Finsk bastu

Vid finsk bastu används endast värmesystemet. Bastun ger endast torr värme. Temperaturen i bastun är hög (80 till 100 °C). Fukthalten är låg, max. 10 %. Styrenheten används för att reglera temperaturen i bastun.

Man kan avsluta bastubadet med att hälla vatten på stenarna. Häll vatten på bastustenarna med en bastuskopa. Vattnet förångas och luften blir fuktigare i bastun.



Observera följande:

- Använd endast kranvatten. Saltvatten, starkt kalkhaltigt eller klorerat vatten kan leda till skador på bastuaggregatet.
- Använd endast doftämnen eller eteriska oljor som uttryckligen är avsedda för användning i bastu. Observera anvisningarna och uppgifterna på resp. förpackning.
- Håll inte vattnet för snabbt över bastustenarna. Om det hålls för snabbt över stenarna förångas det inte riktigt.

## 6.2. Kombidrift

I kombiläget används både värmesystemet och förångaren. Temperaturen i bastun är lägre än vid finsk bastu (ca 40 till 65 °C), men den relativa luftfuktigheten är betydligt högre, mellan 35 % och 70 %. Den max. tillåtna luftfuktigheten blir lägre ju högre temperaturen är. Temperaturen och luftfuktigheten i bastun regleras av styrenheten.

Förångarbehållaren måste fyllas på manuellt. Om vattnet i förångarbehållaren tar slut stänger överhettningsskyddet automatiskt av förångarens värme. Vattenbristen signaleras till styrenheten som indikerar detta t.ex. genom en ljudsignal och meddelandet "FILL".



Auto-Refill-set (CP-RC-AF) möjliggör en fast vattenanslutning, vilket medför att förångarbehållaren kan fyllas på automatiskt.

### OBS!

#### ***Risk för skador på förångaren***

Saltvatten, starkt kalkhaltigt eller klorerat vatten, örter, essenser eller doftämnen kan leda till skador på bastuaggregatet.

- Fyll endast på kranvatten i förångarbehållaren.
- Tillsätt inte örter, essenser eller doftämnen direkt i förångarbehållaren, utan använd keramikskålen ovanför förångaren.
- Avkalka förångaren med regelbundna mellanrum (se **7.6.** på sidan **24**).

**Fylla på förångaren****FÖRSIKTIGHET!****Skållningsrisk**

Om du häller vatten i den heta förångarbehållaren bildas det het ånga.

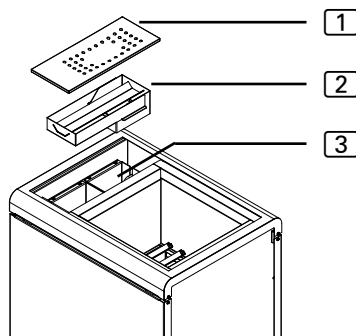
- Häll ALDRIG vatten i den heta förångarbehållaren.
- Kontrollera och fyll på förångarbehållaren varje gång innan du startar kombiläget.
- Om överhettningsskyddet har stängt av förångarens värme, eller om styrenheten signalerar att det råder vattenbrist, låt förångaren svalna INNAN du häller i vatten i förångarbehållaren.

**FÖRSIKTIGHET!****Skållningsrisk**

Om förångarbehållaren är överfylld sprutar kokande vatten ut ur förångarbehållaren.

- Fyll endast på förångarbehållaren till max-markeringen.

1. Ta bort keramikskålen **1** och förångartratten **2**.
2. Ställ ett uppsamlingskärl (på minst 5 liter) under kulventilen på förångarens botten.
3. Vrid kulventilen åt vänster tills det resterande vattnet rinner ut.
4. Stäng kulventilen när förångarbehållaren **3** är tom.
5. Fyll på förångarbehållaren till max-markeringen **3** med rent kranvatten. Det behövs ca 5 liter vatten. Med denna mängd kan man använda förångaren i ca 1 timme.
6. Sätt tillbaka keramikskålen **1** och förångartratten **2**.



## Användning av doftämnen och örter

Du kan lägga i doftämnen eller torkade örter i keramikskålen. Observera följande:

- Tillsätt inte doftämnen direkt i förångarbehållaren.
- Fyll på keramikskålen försiktigt så att doftämnena inte droppar ner i förångarbehållaren genom hålen i keramikskålen.
- Observera anvisningarna på förpackningarna till örterna och doftämnena.

## 7. Underhåll

### 7.1. Längre användningsuppehåll

Fuktiga omgivningar och långa användningsuppehåll leder till att fukt adsorberas i värmestavarna. Detta är ett fysikaliskt förlopp och inget tillverkningsfel. Fukten i värmestavarna kan leda till att FI-skyddsbrutaren löser ut. Låt i sådana fall en elektriker åtgärda felet (se kapitel 8. **Felavhjälpning utförd av installatören**).



Värm upp bastuaggregatet i ca 15 minuter var 5:e till var 6:e vecka. På så sätt förhindrar man att fukt adsorberas i värmestavarna under längre användningsuppehåll.

### 7.2. Rengöring av bastuaggregatet

Se till att det inte samlas ludd eller damm i ventilationsöppningarna. På så sätt förhindrar man att luftcirkulationen försämras i bastuaggregatet. Försämrade luftcirkulation kan leda till överhettning.

### 7.3. Byta bastustenar

Bastustenarna påverkas både av vätskan och av de stora temperaturskillnaderna som uppstår under användningen. De kan bli anfräta och spröda.

Kontrollera bastustenarna regelbundet och byt ut dem minst en gång om året.



#### **WARNING!**

#### **Brandrisk på grund av överhettning**

Om bastuaggregatet används utan bastustenar blir bastuns väggar mycket varma. Detta kan orsaka eldsvåda.

- Använd INTE bastuaggregatet utan bastustenar.

1. Ta bort de gamla bastustenarna.
2. Avlägsna kalkavlagringar, damm och andra föroreningar från stenkorgen.
3. Rengör först bastustenarna noga med vatten och en borste. Använd inga rengöringsmedel.
4. Kontrollera om det finns främmande partiklar på stenarna och ta bort alla förpackningsrester innan de läggs in i bastuaggregatet.
5. Lägg bastustenarna i stenkorgen. Lägg i bastustenarna löst på varandra så att luften kan cirkulera mellan dem.
6. Se till att stenarna inte sticker ut ovanför stenkorgens kant.

#### **7.4. Rengöring av förångarbehållaren**

Töm och rengör förångarbehållaren efter varje användning. Gör på följande sätt:

1. Vänta tills vattnet i förångaren har svalnat.
2. Ställ ett uppsamlingskärl under kulventilen på förångarens botten.
3. Vrid kulventilen åt vänster tills det resterande vattnet rinner ut.
4. Stäng kulventilen när förångarbehållaren är tom.
5. Ta bort keramikskålen och förångartratten.
6. Rengör förångarbehållaren och förångartratten med en borste med plastborst. Skölj med vatten.
7. Sätt tillbaka keramikskålen och förångartratten.

#### **7.5. Rengöring av keramikskålen**

Rengör vid behov keramikskålen för örter och essenser i en diskmaskin.

## 7.6. Avkalkning av förångarbehållaren

Avkalka förångarbehållaren efter behov. Använd ett avkalkningsmedel för hushållsapparater. Observera tillverkarens uppgifter och säkerhetsanvisningar.

1. Förbered avkalkningslösningen enligt tillverkarens uppgifter.
2. Fyll på avkalkningslösning i förångaren till max-markeringen.
3. Låt avkalkningslösningen koka i 10 minuter.
4. Vänta tills avkalkningslösningen i förångaren har svalnat.
5. Ställ en uppsamlingsbehållare under kulventilen på förångarens botten och töm förångarbehållaren.
6. Spola förångarbehållaren 2 gånger med kranvatten.

## 8. Felavhjälpning utförd av installatören

### *Uppvärmning och torkning av värmestavarna*

Fuktiga omgivningarna och långa användningsuppehåll kan leda till att fukt adsorberas i värmestavarna. Detta är ett fysikaliskt förlopp och inget tillverkningsfel. Fukt i värmestavarna kan i vissa fall leda till att FI-skyddsbrytaren löser ut.

I sådana fall ska bastuaggregatet värmas upp för torkning under uppsikt av en elektriker. FI-skyddsbrytarens skyddsfunktion ska då tas ur funktion. Uppvärmningen/torkningen tar ca 10 minuter. Därefter ska FI-skyddsbrytarens skyddsfunktion återställas igen.

Kontakta leverantören/återförsäljaren om problemet kvarstår efter detta.

## 9. Avfallshantering



- Ta hand om förpackningsmaterialet enligt gällande bestämmelser.
- Enheterna innehåller både återanvändbart material och skadliga ämnen. Släng inte en uttjänt produkt i hushållssoporna, utan lämna den till återvinning enligt gällande bestämmelser.

## 10. Tekniska data

Måtten för Concept R combi finns på **Bild 6**.

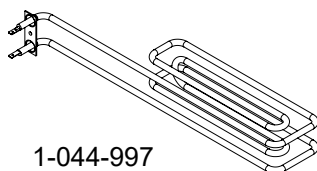
Artikel-nummer	Effekt, värmesystem [kW]	Effekt, förångare [kW]	Basturummets volym [m <sup>3</sup> ]	Ventilationsöppningens min. storlek [mm]
CP-RCB-090	9,0	2,5	9–14	350 x 50
CP-RCB-105	10,5	2,5	10–15	350 x 60

Artikel-nummer	Vikt utan stenar [kg]	Stenmängd [kg]	Säkring [A]	Matningsspänning
CP-RCB-090	34	ca 25	3 x 16	400 VAC 3N~ 50/60 Hz  230 VAC 1N~ 50/60 Hz
CP-RCB-105	34	ca 25	3 x 16	400 VAC 3N~ 50/60 Hz  230 VAC 1N~ 50/60 Hz

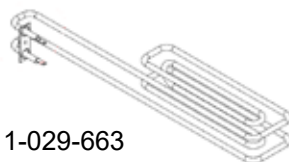
Artikel-nummer	Värmestavar
CP-RBC-090	6 x SCA150 (1-028-518)
CP-RBC-105	3 x SCA150 (1-028-518)/3 x SCA200 (1-028-503)

### Extraförångare Värmestavar

1 x 1-044-997 / 1-029-663 (gammal)



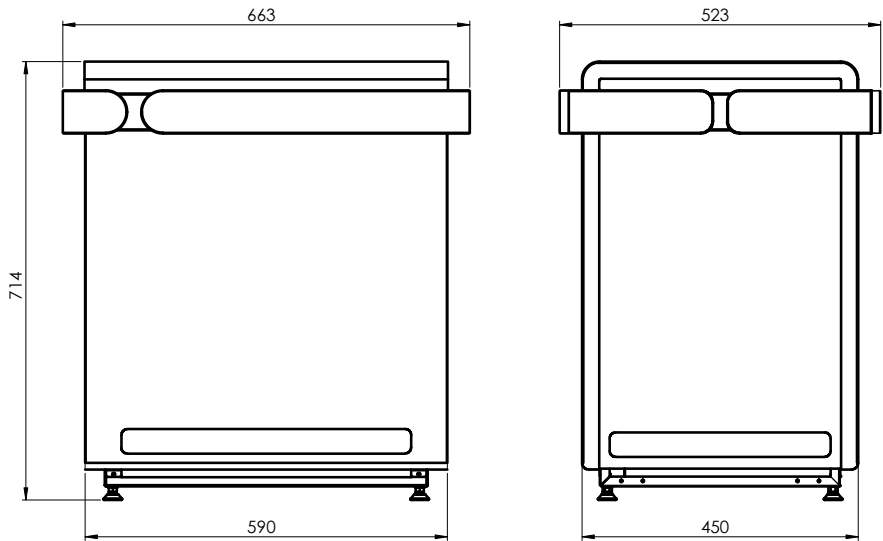
1-044-997



1-029-663

## 11. Mått

**Bild 6** Mått Concept R combi 9 kW och 10,5 kW



Mått i mm

SV

CE





# Saunová kamna

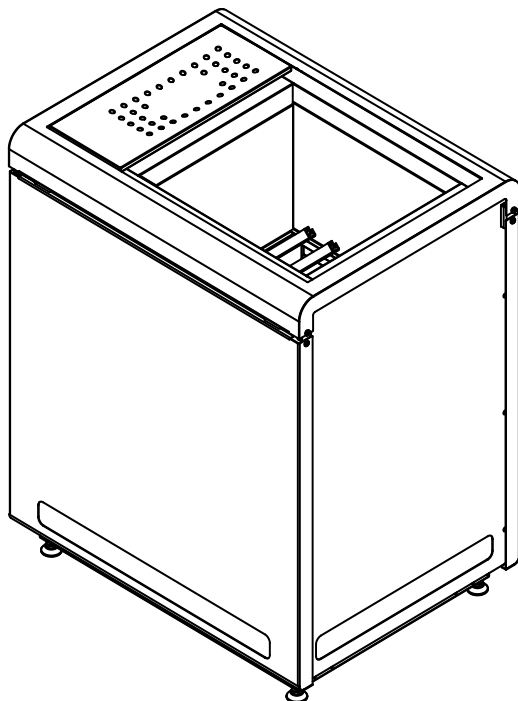
## Concept R combi black

CP-RCB-090 / 1-027-775: Concept R combi 9,0 kW

CP-RCB-105 / 1-027-776: Concept R combi 10,5 kW

### NÁVOD K MONTÁŽI A POUŽITÍ

česky



CS

# Obsah

<b>1. O tomto návodu</b>	<b>4</b>
<b>2. Důležité pokyny pro vaši bezpečnost</b>	<b>5</b>
2.1. Použití v souladu s určením	5
2.2. Bezpečnostní informace pro montéra	6
2.3. Bezpečnostní informace pro uživatele	7
<b>3. Popis výrobku</b>	<b>9</b>
3.1. Rozsah dodávky	9
3.2. Příslušenství	9
3.3. Funkce výrobku	9
<b>4. Montáž a připojení</b>	<b>10</b>
4.1. Místo instalace a poloha čidla	10
4.2. Bezpečnostní vzdálenosti	11
4.3. Nastavení výšky	11
4.4. Schéma zapojení pro 400 V 3 N~	12
4.5. Schéma zapojení pro 230 V 1 N~	13
4.6. Elektrické připojení	14
<b>5. Uvedení do provozu</b>	<b>16</b>
5.1. Plnění nádoby na kameny	16
5.2. Uložení keramické misky	16
5.3. První nahřívání	17
<b>6. Obsluha</b>	<b>18</b>
6.1. Režim finské sauny	18
6.2. Kombinovaný provoz	19

<b>7. Údržba</b>	<b>21</b>
7.1. Delší přestávky v provozu.....	21
7.2. Čistění saunových kamen.....	21
7.3. Výměna saunových kamenů.....	21
7.4. Čistění nádoby odpařovače .....	22
7.5. Čistění keramické misky.....	22
7.6. Odstranění vodního kamene z nádoby odpařovače.....	23
<b>8. Řešení problémů montérem</b>	<b>23</b>
<b>9. Likvidace</b>	<b>23</b>
<b>10. Technické údaje</b>	<b>24</b>
<b>11. Rozměry</b>	<b>25</b>

# 1. O tomto návodu

Tento návod k montáži a použití si důkladně přečtěte a uložte ho v blízkosti sauny. Tak si můžete vždy dodatečně přečíst informace o bezpečnosti a obsluze.



Tento návod k montáži a použití naleznete také v sekci ke stažení na našem webu na adrese [www.sentiotec.com/downloads](http://www.sentiotec.com/downloads).

## **Symboly ve výstražných pokynech**

V tomto návodu k montáži a použití je text o činnostech, z nichž vyplývá určité riziko, uvozen výstražným pokynem. Tyto výstražné pokyny bezpodmínečně dodržujte. Zabráníte tak věcným škodám a poraněním, která mohou být v nejhorším případě dokonce smrtelná.

Ve výstražných pokynech jsou použita signální slova, která mají následující význam:



### **NEBEZPEČÍ!**

Pokud tento výstražný pokyn nebude dodržen, bude to mít za následek smrt nebo vážná zranění.



### **VÝSTRAHA!**

Pokud tento výstražný pokyn nebude dodržen, může to mít za následek smrt nebo vážná zranění.



### **OPATRNĚ!**

Pokud tento výstražný pokyn nebude dodržen, může to mít za následek lehká zranění.

## **POZOR!**

Tento signální symbol upozorňuje na věcné škody.

## **Jiné symboly**



Tento symbol označuje tipy a užitečné pokyny.



Nezakrývat!



Pročtěte si návod k obsluze

## 2. Důležité pokyny pro vaši bezpečnost

Saunová kamna Concept R combi byla vyrobena podle uznávaných bezpečnostně-technických pravidel. Při jejich používání však mohou přesto vznikat určitá rizika. Dodržujte proto následující bezpečnostní pokyny a zvláštní výstražné pokyny uvedené v jednotlivých kapitolách.

### 2.1. Použití v souladu s určením

Concept R combi jsou saunová kamna se zabudovaným odpařovačem. Model Concept R combi se smí používat pouze k vytápění saunových kabin a ke zvýšení vlhkosti vzduchu v saunové kabině. Saunová kamna Concept R combi se smí používat pouze v kombinaci s řídicí jednotkou sauny bez funkce dálkového zapínání.

Saunová kamna Concept R combi lze pouze v kombinaci s volitelně dostupným bezpečnostním vypnutím (CP-R-SWL) provozovat také s řídicí jednotkou sauny, která je vybavena funkcí dálkového zapínání.

Saunová kamna Concept R combi lze pouze v kombinaci s volitelně dostupným bezpečnostním vypnutím (CP-R-SWL) provozovat také ve veřejných saunách.

Jakékoli jiné použití nad tento rámec se považuje za použití v rozporu s určením. Použití v rozporu s určením může vést k poškození výrobku, vážným zraněním nebo smrti.

## 2.2. Bezpečnostní informace pro montéra

- Montáž a připojení saunových kamen se smí provádět pouze ve stavu odpojení od napětí.
- Montáž smí provádět pouze kvalifikovaný elektrikář nebo jiná, srovnatelným způsobem kvalifikovaná osoba.
- V místě instalace musí být instalován odpojovač s odpojením všech pólů s úplným vypnutím v souladu s přepěťovou kategorií III.
- K připojení saunových kamen používejte výlučně silikonová vedení odolná vůči teplotě do 150 °C.
- V kabině instalujte pouze jedna saunová kamna. Saunová kamna Concept R combi nesmíte v saunové kabině používat společně s jinými saunovými kamny.
- Stropy a stěny saunové kabiny smí být vyrobeny z neopracovaných nebo tepelně opracovaných druhů dřeva s nízkým obsahem pryskyřice, např. severský smrk, jedlovec, borovice nebo jedle nebo z vrstvených dřevěných materiálů. Při použití vrstvených dřevěných materiálů je nutné dbát na to, aby jejich lepidla neobsahovala formaldehyd. Pokud budou v saunové kabině použity jiné materiály než dřevo, musejí být odolné vůči teplu a korozi a nesmí mít žádné negativní účinky na zdraví osob v sauně.
- Výška saunové kabiny musí činit minimálně 2,0 m.
- Dodržujte požadavky na objem a větrání saunové kabiny uvedené v kapitole **10. Technické údaje** na straně **24**.
- Při instalaci saunových kamen dodržujte minimální bezpečnostní vzdálenosti (viz kapitola **4.2. Bezpečnostní vzdálenosti** na straně **11**).
- Dodržujte také místní předpisy v místě instalace.
- V případě problémů, které nejsou dostatečně podrobně řešeny v návodu k montáži, se v zájmu vlastní bezpečnosti obraťte na svého dodavatele.

### 2.3. Bezpečnostní informace pro uživatele

- Zařízení nesmí používat děti do 8 let věku.
- Zařízení smí používat děti ve věku nad 8 let, osoby s omezenými fyzickými, smyslovými nebo duševními schopnostmi a osoby s nedostatečnými zkušenostmi a znalosti za následujících podmínek:
  - pokud jsou pod dozorem.
  - pokud jim bylo správné používání předvedeno a rozumějí rizikům, která mohou vzniknout.
- Děti si se zařízením nesmí hrát.
- Děti mladší 14 let smí zařízení čistit, pouze pokud jsou pod dozorem.
- Saunování není ze zdravotních důvodů vhodné pro osoby pod vlivem alkoholu, léků nebo drog.
- Saunová kamna nikdy neuvádějte do provozu bez saunových kamenů, mohlo by to způsobit požár.
- PŘED prvním saunováním rozehřejte na půl hodiny saunová kamna a odpařovač. Během této doby se **NEZDRŽUJTE** v saunové kabině. Následně saunovou kabinu dobře vyvětrejte (viz **5.3. První nahřívání** na straně **17**).

- Před zapnutím řídicí jednotky sauny se ujistěte, že na saunových kamnech neleží žádné hořlavé předměty.
- Saunových kamen se během provozu nedotýkejte. Povrch saunových kamen a saunové kameny se zahřívají na vysoké teploty.
- Vodu NIKDY nevlévejte do horké nádoby odpařovače. Vždy před spuštěním kombinovaného provozu zkontrolujte a naplňte nádobu odpařovače. Pokud ochrana proti přehřátí vypne topení odpařovače nebo řídicí jednotka sauny hlásí nedostatek vody, nechejte odpařovač PŘED nalitím vody do nádoby odpařovače vychladnout.
- V případě problémů, které nejsou dostatečně podrobně řešeny v návodu k použití, se v zájmu vlastní bezpečnosti obraťte na svého dodavatele.



## 3. Popis výrobku

### 3.1. Rozsah dodávky

- Saunová kamna
- Návod k montáži a použití
- Keramická miska na bylinky a vonné látky

### 3.2. Příslušenství

<i>Příslušenství</i>	<i>Číslo položky</i>
Sada pro automatické doplnění	CP-RC-AF
Bezpečnostní vypnutí	CP-R-SWL
Sada držáků na obrubovou lištu kamen	CP-R-HSR
Dřevěná obrubová lišta velká LÍPA	CP-R-L2
Dřevěná obrubová lišta velká VLAŠSKÝ OŘECH	CP-R-N2
Set obrubová lišta velká LÍPA	CPR-EMO-L2
Set obrubová lišta velká VLAŠSKÝ OŘECH	CPR-EMO-N2

### 3.3. Funkce výrobku

Saunová kamna Concept R combi jsou kombinovaná kamna. Jsou možné následující provozní režimy:

- **Režim finské sauny:** obvykle 80 až 100 °C; cca 10 % rel. vlhkosti vzduchu
- **Kombinovaný provoz** (pouze v kombinaci s kombinovanou řídicí jednotkou): ca. 40 až 65 °C, 35 % až cca 70 % vlhkost vzduchu. Maximálně přípustná vlhkost vzduchu klesá se stoupající teplotou.  
Podle přání lze v kombinovaném provozu do keramické misky nad odpařovačem vložit vonné látky nebo sušené bylinky. Stoupající pára uvolňuje z bylinek éterické oleje, resp. rozptyluje vonné látky v saunové kabině.

## 4. Montáž a připojení

Při instalaci a připojení saunových kamen zohledněte následující body:



### VÝSTRAHA!

#### **Nebezpečí úrazu elektrickým proudem**

- Montáž a připojení saunových kamen provádějte pouze ve stavu bez napětí.

- Elektrické připojení smí provádět pouze kvalifikovaný elektrikář nebo srovnatelným způsobem kvalifikovaná osoba.
- V místě instalace musí být instalován odpojovač s odpojením všech pólů s úplným vypnutím v souladu s přepěťovou kategorií III.
- Saunová kamna Concept R combi jsou volně stojící kamna. Upevnění k podlaze nebo na stěnu sauny není nutné.
- Saunová kamna neumísťujte na podlahu ze snadno hořlavého materiálu (dřevo nebo plast). K vhodným podlahovým krytinám patří např. keramické dlaždice.

### 4.1. Místo instalace a poloha čidla

Kamna umístěte doprostřed před vstupní otvor vzduchu ve stěně kabiny. Přitom dodržujte bezpečnostní vzdálenosti od stěny kabiny uvedené na **Obr. 1**.

Teplotní čidlo s pojistkou proti přehřátí namontujte na stěnu kabiny nad středem saunových kamen. Dodržujte vzdálenost od stropu kabiny 15 cm.

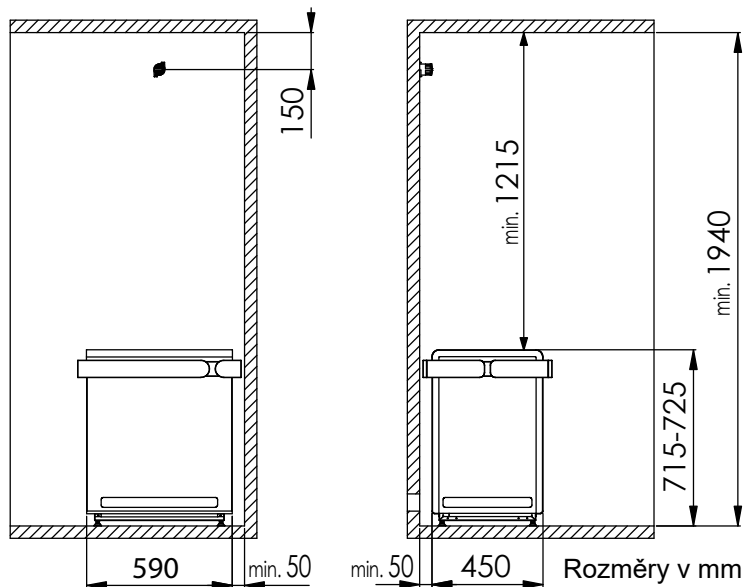


Pokud je zajištěno dostatečné větrání, lze saunová kamna Concept R instalovat také jako volně stojící. V takovém případě namontujte na strop kabiny nad střed kamen čidlo teploty.

## 4.2. Bezpečnostní vzdálenosti

Dodržujte minimální bezpečnostní vzdálenosti uvedené na **Obr. 1**.

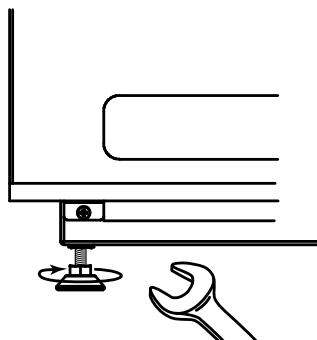
**Obr. 1** Bezpečnostní vzdálenosti pro model Concept R combi 9 kW a 10,5 kW (CP-RCB-090 / CP-RCB-105)



## 4.3. Nastavení výšky

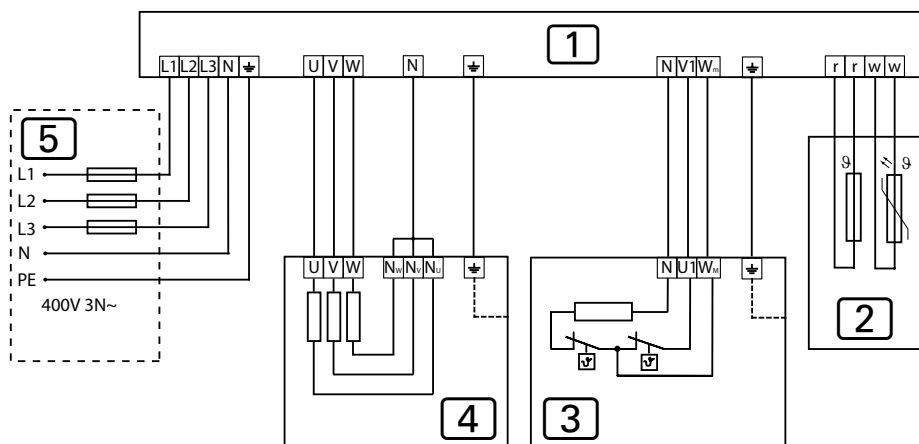
Saunová kamna Concept R combi jsou vybavena výškově nastavitelnými nožkami. Výšku saunových kamen lze nastavovat v rozmezí 715 mm až 725 mm. Protože výšku každé nožky lze nastavovat samostatně, je možné přizpůsobení nerovné podlaze.

1. Nožku saunových kamen povolte vidlicovým klíčem (13 mm).
2. Saunová kamna mírně zvedněte a výšku snižte otáčením nožky doprava. Výšku zvýšte otáčením nožky doleva.
3. Nožku opět utáhněte vidlicovým klíčem.



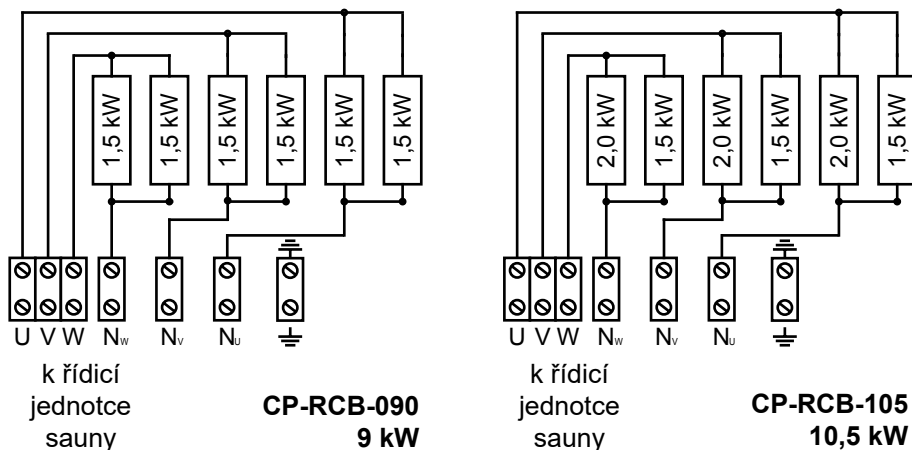
## 4.4. Schéma zapojení pro 400 V 3 N~

**Obr. 2** Schéma zapojení Concept R combi 9 kW a 10,5 kW



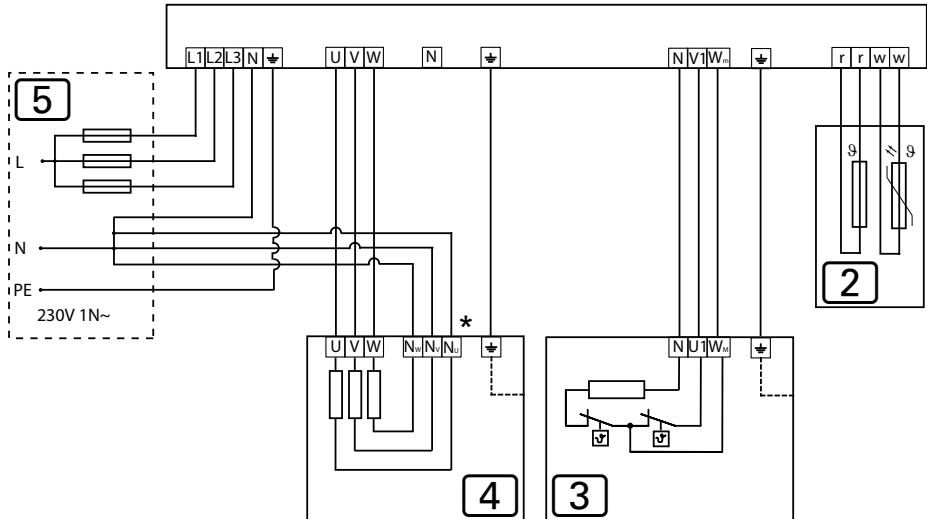
- 1 Řídicí jednotka sauny
- 2 Čidlo teploty s pojistkou proti přehřátí
- 3 Odpařovač
- 4 Topný systém
- 5 Napájecí zdroj

**Obr. 3** Schémata zapojení – topný systém

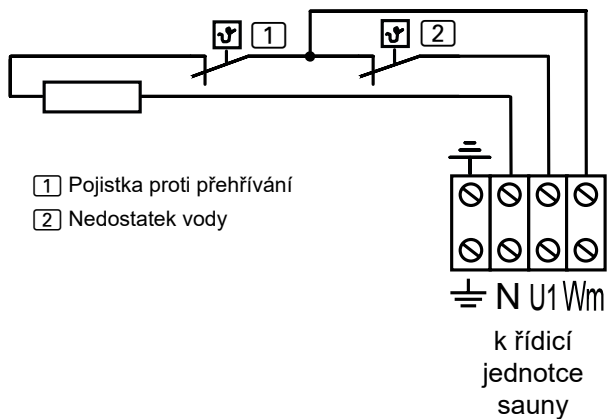


## 4.5. Schéma zapojení pro 230 V 1 N~

**Obr. 4** Schéma zapojení Concept R combi 9 kW a 10,5 kW

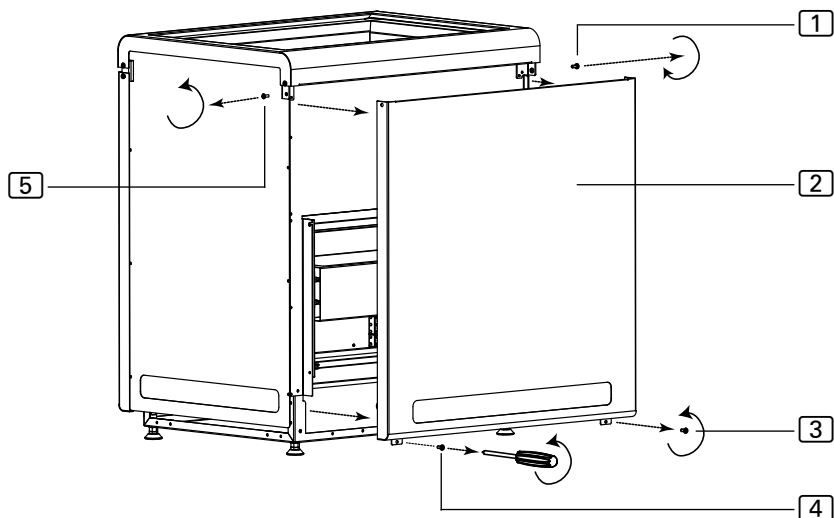


- 1 Řídicí jednotka sauny
  - 2 Čidlo teploty s pojistkou proti přehřátí
  - 3 Odpařovač
  - 4 Topný systém
  - 5 Napájecí zdroj
- \* Odstraňte měděný můstek

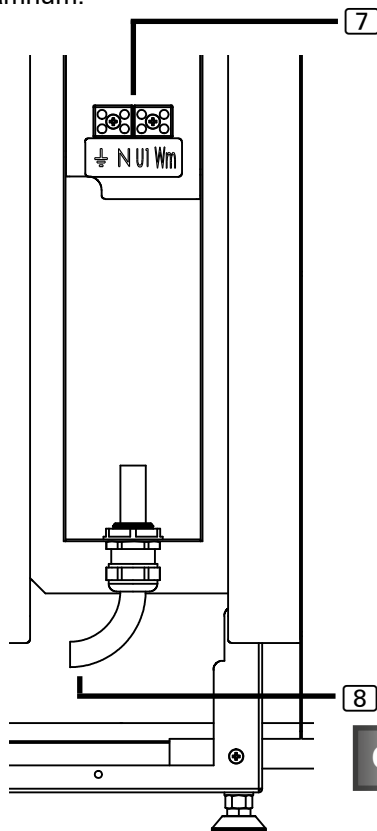
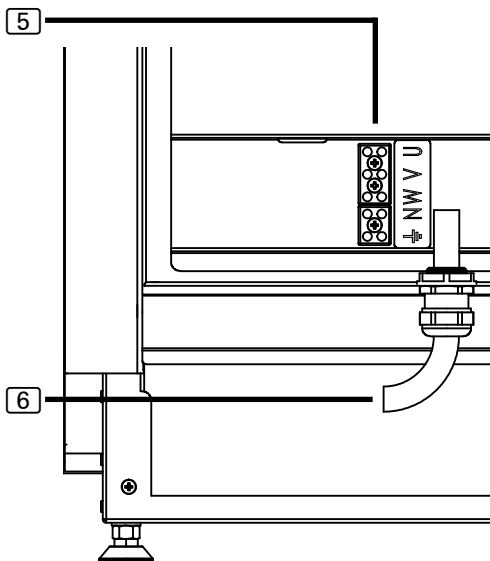
**Obr. 5** Schéma zapojení – odpařovač

## 4.6. Elektrické připojení

1. Povolte šrouby [3] a [4] šroubovákem.
2. Povolte šrouby [1] a [5] šroubovákem.
3. Sejměte krycí plech [2].



4. Připojovací kabel topného systému provlečte průchodkou [6].
5. Vodiče připojovacího kabelu připojte ke svorkám U – V – W – N – PE na připojovací svorkovnici [5] a k odpovídajícím svorkám řídicí jednotky sauny. Přitom dodržte návod k montáži řídicí jednotky sauny.
6. Kabel odpařovače provlečte průchodkou [8].
7. Vodiče kabelu odpařovače připojte ke svorkám PE – N – U1 – Wm na připojovací svorkovnici [7] a k odpovídajícím svorkám řídicí jednotky sauny. Přitom dodržte návod k montáži řídicí jednotky sauny.
8. Krycí plech [2] upevněte opět k saunovým kamnům.



- [5] Připojovací svorkovnice topného systému
- [6] Průchodka na připojovací kabel topného systému
- [7] Připojovací svorkovnice odpařovače
- [8] Průchodka kabelu odpařovače

## 5. Uvedení do provozu

### 5.1. Plnění nádoby na kameny



#### **VÝSTRAHA!**

#### ***Riziko požáru přehřátím***

Pokud se saunová kamna používají bez saunových kamenů, stěny kabiny se silně zahřívají. To může být příčinou požáru.

- Saunová kamna NIKDY neuvádějte do provozu bez saunových kamenů.

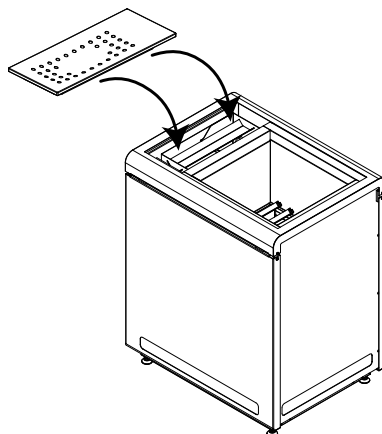
Množství kamenů vhodné pro výkon vašich kamen naleznete v kapitole

#### **10. Technické údaje** (viz strana 24).

1. Saunové kameny před použitím důkladně očistěte kartáčem a omyjte vodou. Nepoužívejte žádné čisticí přísady.
2. Kameny před vložením do saunových kamen zkontrolujte, zda neobsahují cizí tělesa, a odstraňte zbytky obalů.
3. Vložte saunové kameny do nádoby na kameny. Saunové kameny naskládejte volně, aby meziprostorem mohl proudit vzduch.
4. Dbejte na to, aby saunové kameny nepřesahovaly přes okraj nádoby na kameny.

### 5.2. Uložení keramické misky

- Keramickou misku položte na nádobu odpařovače – jak je znázorněno na obrázku vpravo.





### 5.3. První nahřívání



#### **OPATRNĚ!**

#### ***Při prvním rozezhřívání vzniká kouř a je cítit zápach***

Na nových topných tyčích jsou provozní látky z výrobního procesu. Ty se při prvním rozezhřívání saunových kamen rozkládají. Přitom vzniká kouř a nepříjemný zápach. Vdechování těchto výparů nebo kouře škodí vašemu zdraví.

Při **prvním zprovoznění** a při **výměně topných tyčí saunových kamen** proveďte následující kroky. Zabráníte tak ohrožení zdraví výpary a kouřem, které vznikají při prvním rozezhřívání.

1. První nahřívání topných tyčí
  - a. Na řídicí jednotce sauny nastavte co nejvyšší teplotu.
  - b. Saunová kamna nahřívajte půl hodiny.  
**Během této doby se NEZDRŽUJTE v saunové kabině.**
2. První nahřívání odpařovače
  - a. Na řídicí jednotce sauny navolte nízkou teplotu a vysokou vlhkost vzduchu.
  - b. Odpařovač nahřívajte s polovičním množstvím vody (viz strana **20**)  
**Během této doby se NEZDRŽUJTE v saunové kabině.**
  - c. Asi po 15 minutách vypněte řídicí jednotku sauny.
  - d. Odpařovač nechejte vychladnout (asi půl hodiny).
  - e. Vypusťte vodní nádrž (viz **Plnění odpařovače** na straně **20**).
  - f. Opakujte bod 2.b.
  - g. Po prvním rozezhřátí dobře vyvětrejte saunovou kabinu.
  - h. Pokud při dalším rozezhřátí nedochází ke vzniku kouře a pachu, můžete se začít saunovat.  
Pokud se znovu uvolňuje kouř nebo zápach, okamžitě opusťte saunovou kabinu a opakujte rozezhřátí kamen se zapnutým ventilátorem.

## 6. Obsluha

---



### VÝSTRAHA!

#### *Riziko požáru*

Hořlavé předměty položené na saunových kamnech se mohou vznítit a způsobit požár.

- Na saunová kamna NIKDY nepokládejte hořlavé předměty.
  - Před uvedením saunových kamen do provozu se ujistěte, že na saunových kamnech neleží ŽÁDNÉ hořlavé předměty.
- 

Obsluha saunových kamen probíhá přes řídicí jednotku sauny. Informace k obsluze řídicí jednotky sauny naleznete v návodu k obsluze používaného zařízení. Pamatujte, že saunová kamna Concept R combi jsou vhodná pouze pro řídicí jednotky sauny bez funkce dálkového zapínání.



S bezpečnostním vypínáním (CP-R-SWL), které je součástí variantního příslušenství, jsou saunová kamna Concept R combi vhodná také pro řídicí jednotky saun S funkcí dálkového zapínání.

---

### 6.1. Režim finské sauny

Při režimu finské sauny je v provozu pouze topný systém. K dispozici je suché teplo. Teplota v kabině je vysoká (80 až 100 °C). Vlhkost je při hodnotě maximálně 10 % nízká. Teplota v saunové kabině je regulována řídicí jednotkou sauny.

Na konci saunování lze provést polévání. Saunové kameny polijte pomocí saunové naběračky vodou. Tím se voda odpaří a zvýší se vlhkost vzduchu v saunové kabině.

Při polévání dodržujte následující body:

- K polévání používejte pouze vodu z kohoutku. Mořská voda, voda s vysokým obsahem vápníku a chlorovaná voda mohou saunová kamna poškodit.
- Používejte pouze vonné látky a éterické oleje, které jsou výslovně vhodné k použití jako polévací prostředek v saunách. Dodržujte údaje výrobce uvedené na obalu polévacího prostředku.
- Saunové kameny nepolévejte vodou příliš rychle. Pouze tak se voda k polévání zcela odpaří.

## 6.2. Kombinovaný provoz

V kombinovaném provozu je v provozu topný systém a odpařovač. Teplota v saunové kabině je nižší než v režimu finské sauny (cca 40 až 65 °C), zato relativní vlhkost vzduchu o hodnotách 35 % až zhruba 70 % je podstatně vyšší. Maximálně přípustná vlhkost vzduchu klesá se stoupající teplotou. Teplota a vlhkost vzduchu v saunové kabině jsou regulovány řídicí jednotkou sauny.

Nádoby odpařovače je nutné plnit ručně. Pokud se spotřebuje zásoba vody v nádobě odpařovače, ochrana proti přehřátí automaticky vypne topení odpařovače. Nedostatek vody je signalizován na řídicí jednotce sauny a zde se zobrazuje např. akustickým výstražným tónem a hlášením „FILL“.



Pomocí sady pro automatické doplnění (CP-RC-AF) je možné pevně připojit vodovodní potrubí a tím zajistit automatické plnění nádoby odpařovače.

### POZOR!

#### **Poškození odpařovače**

Mořská voda, voda s vysokým obsahem vápníku a chlorovaná voda, bylinky, esence nebo vonné látky mohou odpařovač poškodit.

- Nádoby odpařovače plňte pouze vodou z vodovodu.
- Bylinky, esence a vonné látky nepřidávejte nikdy přímo do nádoby odpařovače, nýbrž pouze do keramické misky nad odpařovačem.
- Z odpařovače pravidelně odstraňujte vodní kámen (viz **7.6.** na straně **24**).

**Plnění odpařovače****OPATRNĚ!****Nebezpečí opaření**

Při vlévání vody do horké nádoby odpařovače vzniká horká pára.

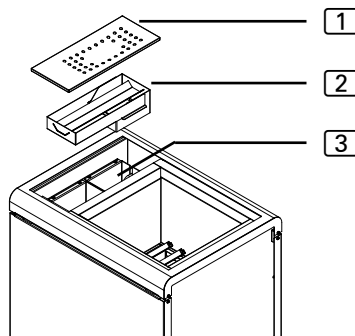
- Vodu NIKDY nevlévejte do horké nádoby odpařovače.
- Vždy před spuštěním kombinovaného provozu zkontrolujte a naplňte nádobu odpařovače.
- Pokud ochrana proti přehřátí vypne topení odpařovače nebo řídicí jednotka sauny hlásí nedostatek vody, nechte odpařovač PŘED nalitím vody do nádoby odpařovače vychladnout.

**OPATRNĚ!****Nebezpečí opaření**

Pokud je nádoba odpařovače příliš plná, vystřikuje z ní vroucí voda.

- Nádobu odpařovače plňte pouze po rysku maximální hladiny.

1. Vyměňte keramickou misku **1** a parní trychtýř **2**.
2. Pod kulový kohout u dna odpařovače umístěte záchytnou nádobu (alespoň 5 litrů).
3. Otočte kulový kohout doleva, aby odtekla zbylá voda.
4. Jakmile bude nádoba odpařovače **3** prázdná, kulový kohout zavřete.
5. Nádobu odpařovače **3** naplňte čerstvou vodou z vodovodu až po rysku maximální hladiny. K tomu je zapotřebí asi 5 litrů vody. Při tomto množství vody lze odpařovač provozovat asi 1 hodinu.
6. Opět umístěte keramickou misku **1** a parní trychtýř **2**.



## **Použití vonných látek a bylinek**

Podle přání lze do keramické misky vložit vonné látky nebo sušené bylinky. Přitom dodržujte následující body:

- Vonné látky nepřidávejte přímo do nádoby odpařovače.
- Keramickou misku plňte opatrně, aby vonné látky nescapávaly přes otvory v keramické misce do nádoby odpařovače.
- Dodržujte údaje výrobce uvedené na balení bylinek a vonných látek.

## **7. Údržba**

### **7.1. Delší přestávky v provozu**

Ve vlhkém prostředí nebo po dlouhých přestávkách v provozu se v topných tyčích hromadí vlhkost. Jedná se o fyzikální proces a není to žádná chyba výrobce. Vlhkost v topných tyčích může vést ke spuštění proudového chrániče. V tomto případě povolejte k odstranění poruchy kvalifikovaného elektrikáře (viz kapitola

### **8. Řešení problémů montérem).**



Saunová kamna nahřívejte jednou za 5 až 6 týdnů asi na 15 minut. Tak zabráníte, aby se při delších přestávkách v provozu hromadila voda v topných tyčích.

### **7.2. Čistění saunových kamen**

Dbejte na to, aby odvětrávací otvory byly zbaveny tkaniny a prachu. Tak zabráníte omezení cirkulace vzduchu v saunových kamnech a přehřátí zařízení.

### **7.3. Výměna saunových kamenů**

Saunové kameny jsou namáhány polévacími prostředky a velkými rozdíly teplot, které se vyskytují při používání. Saunové kameny mohou být narušovány a mohou praskat.

Saunové kameny v pravidelných intervalech kontrolujte a alespoň jednou za rok je vyměňte.



#### **VÝSTRAHA!**

#### **Riziko požáru přehřátím**

Pokud se saunová kamna používají bez saunových kamenů, stěny kabiny se silně zahřívají. To může být příčinou požáru.

- Saunová kamna NIKDY neuvádějte do provozu bez saunových kamenů.

1. Staré saunové kameny odstraňte.
2. Z nádoby na kameny odstraňte zbytky vodního kamene, prachu a jiných nečistot.
3. Saunové kameny před použitím důkladně očistěte kartáčem a omyjte vodou. Nepoužívejte žádné čisticí přísady.
4. Kameny před vložením do saunových kamen zkontrolujte, zda neobsahují cizí tělesa, a odstraňte zbytky obalů.
5. Vložte saunové kameny do nádoby na kameny. Saunové kameny naskládejte volně, aby meziprostorem mohl proudit vzduch.
6. Dbejte na to, aby saunové kameny nepřesahovaly přes okraj nádoby na kameny.

#### **7.4. Čištění nádoby odpařovače**

Nádoby odpařovače po každém použití vyprázdněte a vyčistěte. Za tímto účelem proveďte následující kroky:

1. Počkejte na ochlazení vody v odpařovači.
2. Pod kulový kohout u dna odpařovače umístěte záchytnou nádobu.
3. Otočte kulový kohout doleva, aby odtekla zbylá voda.
4. Jakmile bude nádoba odpařovače prázdná, kulový kohout zavřete.
5. Vyjměte keramickou misku a parní trychtýř.
6. Nádoby odpařovače a parní trychtýř očistěte kartáčem na úklid domácnosti s plastovými štětiniami. Opláchněte vodou.
7. Opět umístěte keramickou misku a parní trychtýř.

#### **7.5. Čištění keramické misky**

Keramickou misku na bylinky a esence umyjte podle potřeby v myčce nádobí.

## 7.6. Odstranění vodního kamene z nádoby odpařovače

Z nádoby odpařovače podle potřeby odstraňte vodní kámen. K tomu použijte prostředek do domácnosti k odstranění vodního kamene. Dodržujte přitom předpisy a bezpečnostní pokyny výrobce.

1. Roztok k odstranění vodního kamene připravte podle údajů výrobce.
2. Odpařovač naplňte roztokem k odstranění vodního kamene až po rysku maximální hladiny.
3. Roztok k odstranění vodního kamene nechejte 10 minut vařit.
4. Vyčkejte na ochlazení roztoku k odstranění vodního kamene v odpařovači.
5. Pod kulový kohout u dna odpařovače položte záchytnou nádobu a vyprázdňte nádobu odpařovače.
6. Nádobu odpařovače propláchněte dvakrát vodou z vodovodu.

## 8. Řešení problémů montérem

### *Vyhřívání topných tyčí*

Ve vlhkém prostředí nebo po dlouhých přestávkách v provozu se v topných tyčích může hromadit vlhkost. Jedná se o fyzikální proces a není to žádná chyba výrobce. Vlhkost v topných tyčích může v určitých případech vést ke spuštění proudového chrániče.

V tomto případě je nutné vyhřívát saunová kamna pod dozorem kvalifikovaného elektrikáře. Přitom musí být deaktivována funkce proudového chrániče. Postup vyhřátí zabere asi 10 minut. Poté je nutné bezpečnostní funkci proudového chrániče obnovit.

Pokud bude problém trvat i nadále, obraťte se na svého dodavatele.

## 9. Likvidace



- Obalové materiály zlikvidujte podle směrnic platných pro likvidaci.
- Stará zařízení obsahují recyklovatelné materiály, ale i škodlivé látky. Stará zařízení proto v žádném případě neodkládejte do odpadu, ale zlikvidujte je podle místních platných předpisů.

## 10. Technické údaje

Rozměry Concept R combi naleznete v **Obr. 6**.

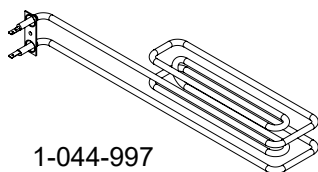
Číslo položky	Výkon topného systému [kW]	Výkon odpařovače [kW]	Objem kabiny [m <sup>3</sup> ]	Minimální velikost odvětrávacího otvoru [mm]
CP-RCB-090	9,0	2,5	9–14	350 x 50
CP-RCB-105	10,5	2,5	10–15	350 x 60

Číslo položky	Hmotnost bez kamenů [kg]	Množství kamenů [kg]	Pojistka [A]	Napájení
CP-RCB-090	34	asi 25	3 x 16	400 V(st) 3N~50/60 Hz 230 V(st) 1N~50/60 Hz
CP-RCB-105	34	asi 25	3 x 16	400 V(st) 3N~50/60 Hz 230 V(st) 1N~50/60 Hz

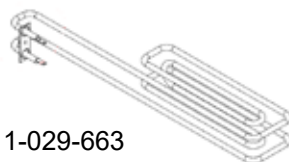
Číslo položky	Topné tyče
CP-RBC-090	6 x SCA150 (1-028-518)
CP-RBC-105	3 x SCA150 (1-028-518) / 3 x SCA200 (1-028-503)

### Přídavný odpařovač Topné tyče

1 x 1-044-997 / 1-029-663 (starý)



1-044-997

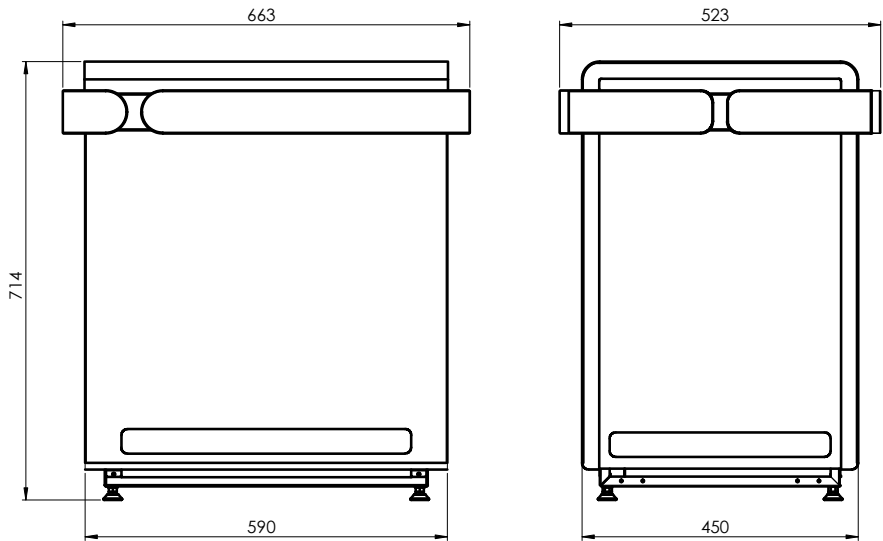


1-029-663



## 11. Rozměry

Obr. 6 Rozměry Concept R combi 9 kW a 10,5 kW



Rozměry v mm



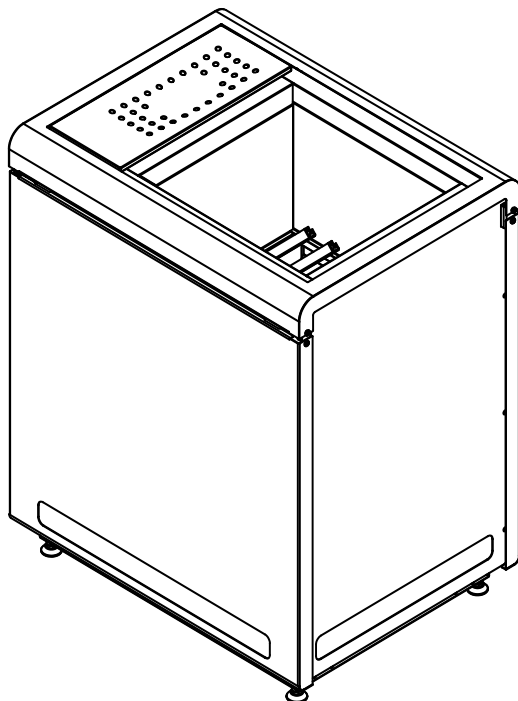
# Peč za savno

## Concept R combi black

CP-RCB-090 / 1-027-775: Concept R combi 9,0 kW

CP-RCB-105 / 1-027-776: Concept R combi 10,5 kW

### NAVODILA ZA MONTAŽO IN UPORABO slovenščina



SL

# Kazalo vsebine

<b>1. K tem navodilom</b>	<b>4</b>
<b>2. Pomembni napotki za vašo varnost</b>	<b>5</b>
2.1. Uporaba skladna z določili	5
2.2. Varnostni napotki za monterja	6
2.3. Varnostni napotki za uporabnika	7
<b>3. Opis proizvoda</b>	<b>9</b>
3.1. Dobavni obseg	9
3.2. Pribor	9
3.3. Funkcije proizvoda	9
<b>4. Montaža in priključitev</b>	<b>10</b>
4.1. Postavitveno mesto in položaj tipala	10
4.2. Varnostni razmiki	11
4.3. Nastavitev višine	11
4.4. Priključitveni načrt za 400V 3N~	12
4.5. Priključitveni načrt za 230V 1N~	13
4.6. Električna priključitev	14
<b>5. Zagon</b>	<b>16</b>
5.1. Polnjenje posode za kamenje	16
5.2. Uporaba keramične skodele	16
5.3. Prvo zagrevanje	17
<b>6. Upravljanje</b>	<b>18</b>
6.1. Finsko obratovanje savne	18
6.2. Kombinirano obratovanje	19

<b>7. Vzdrževanje</b>	<b>21</b>
7.1. Daljši premori med obratovanji.....	21
7.2. Čiščenje peči za savno.....	21
7.3. Menjava kamenja za savno.....	21
7.4. Čiščenje posode uparjalnika .....	22
7.5. Čiščenje keramične skodele.....	22
7.6. Odstranjevanje vodnega kamna iz posode uparjalnika.....	23
<b>8. Reševanje problemov s strani monterja</b>	<b>23</b>
<b>9. Odstranjevanje</b>	<b>23</b>
<b>10. Tehnični podatki</b>	<b>24</b>
<b>11. Dimenzije</b>	<b>25</b>

# 1. K tem navodilom

Navodila za montažo in uporabo skrbno preberite in jih shranite v bližini savne. Tako lahko v vsakem trenutku ponovno preberete informacije o vaši varnosti in o upravljanju.



Ta navodila za montažo in uporabo si lahko naložite z naše spletne strani [www.sentiotec.com/downloads](http://www.sentiotec.com/downloads).

## **Simboli in opozorila**

V teh navodilih za montažo in uporabo stoji pred dejanji, ki so nevarna, opozorilo. Brezpogojno sledite tem opozorilom. Tako preprečite materialno škodo in poškodbe, ki so lahko v najhujšem primeru celo smrtne.

V opozorilih so uporabljene signalne besede, ki imajo naslednji pomen:



### **NEVARNOST!**

Če tega opozorila ne upoštevate, so posledica smrt ali težke poškodbe.



### **OPOZORILO!**

Če tega opozorila ne upoštevate, so lahko posledica smrt ali težke poškodbe.



### **PREVIDNOST!**

Če tega opozorila ne upoštevate, so lahko posledica lahke poškodbe.

## **POZOR!**

Ta signalna beseda vas svari pred materialno škodo.

## **Drugi simboli**



Ta simbol označuje nasvete in uporabna navodila.



Ne prekrivajte!



Preberite navodila za upravljanje

## 2. Pomembni napotki za vašo varnost

Peč za savno Concept R combi je zgrajena po priznanih varnostno tehničnih smernicah. Kljub temu pa lahko pri uporabi nastanejo nevarnosti. Zato sledite naslednjim varnostnim napotkom in posebnim opozorilom v posameznih poglavjih.

### 2.1. Uporaba skladna z določili

Concept R combi je peč za savno z vgrajenim uparjalnikom. Peč za savno Concept R combi se sme uporabljati le za ogrevanje kabin savn in za povišanje zračne vlage v kabini savne. Peč za savno Concept R combi se sme uporabljati le v kombinaciji s krmiljenjem savne brez funkcije daljinskega zagona.

Le v kombinaciji z varnostnim izklopom (CP-R-SWL), ki ga prejmete kot opcijo, sme peč za savno Concept R combi obratovati tudi s krmiljenjem savne, ki ima na voljo funkcijo daljinskega zagona.

Le v kombinaciji z varnostnim izklopom (CP-R-SWL), ki ga prejmete kot opcijo, sme peč za savno Concept R combi obratovati tudi v javnih savnah.

Vsaka drugačna uporaba velja kot uporaba, ki ni skladna z določili. Z določili neskladna uporaba lahko povzroči poškodovanje proizvođa, težke poškodbe ali smrt.

## 2.2. Varnostni napotki za monterja

- Montažo in priključitvena dela na peči za savno se sme opraviti le v breznapetostnem stanju.
- Montažo sme opraviti le elektro strokovnjak ali kvalificirana oseba podobne stroke.
- Na mestu samem je potrebno predvideti ločilno napravo za vse pole s popolnim izklopom skladno s prenapetostno kategorijo III.
- Za priključitev peči za savno uporabite izključno silikonske vodnike, ki so obstojni do temperature 150 °C.
- V kabino inštalirajte le eno peč. Peči za savno Concept R combi se ne sme uporabiti v kabini skupaj z drugimi pečmi za savne.
- Stropi in stene kabine se izdelajo iz neobdelanega lesa, ki vsebuje malo smole ali iz termično obdelanega lesa, npr. nordijske smreke, čuge, bora ali jelke ali iz materialov iz lepljenih lesnih slojev. Pri uporabi materialov iz lepljenih lesnih slojev se mora paziti na to, da lepila ne oddajajo formaldehida. Če se v kabini savne uporabijo drugi materiali kot les, morajo biti ti odporni proti vročini in koroziji in ne smejo negativno učinkovati na zdravje ljudi v savni.
- Višina kabine savne mora biti najmanj 2,0 m.
- Upoštevajte zahteve glede volumna in zračenja kabine savne v poglavju **10. Tehnični podatki** na strani **24**.
- Pri postavitvi peči za savno upoštevajte minimalne varnostne razmike (glejte poglavje **4.2. Varnostni razmiki** na strani **11**).
- Upoštevajte tudi krajevna določila na postavitvenem mestu.
- Pri problemih, ki v navodilih za montažo niso dovolj izčrpno obdelani, se zaradi svoje lastne varnosti obrnite na svojega dobavitelja.



### 2.3. Varnostni napotki za uporabnika

- Naprave ne smejo uporabljati otroci mlajši od 8 let.
- Napravo smejo uporabljati otroci starejši od 8 let, osebe z zmanjšanimi psihičnimi, senzoričnimi ali mentalnimi sposobnostmi in osebe s pomanjkljivimi izkušnjami in vedenjem le pod naslednjimi pogoji:
  - če so pod nadzorom,
  - če jim je bila predstavljena varna uporaba in razumejo nevarnosti, ki bi lahko nastale.
- Otroci se z napravo ne smejo igrati.
- Otroci mlajši od 14 let smejo napravo čistiti le pod nadzorom.
- Če ste pod vplivom alkohola, zdravil ali drog, se kopeli v savni odpovejte iz zdravstvenih razlogov.
- Peč za savno nikoli ne sme obratovati brez kamenja za savno, ker bi to lahko povzročilo požare.
- PRED prvo kopeljo v savni zagrejte peč za savno in uparjalnik za pol ure. V tem času se NE zadržujte v kabini savne. Nato kabino savne dobro prezračite (glejte **5.3. Prvo zagrevanje** na strani **17**).

- Prepričajte se, da na peči za savno ne ležijo nobeni gorljivi predmeti, šele nato lahko vklopite krmiljenje savne.
- Me obratovanjem se nikoli ne dotikajte peči. Površina peči in kamenje za savno so zelo vroči.
- NIKOLI ne vlijte vode v vročo posodo uparjalnika. Posodo uparjalnika preverite in napolnite vsakokrat preden zaženete kombinirano obratovanje. Če je zaščita pred pregretjem izklopila ogrevanje uparjalnika ali pa vaša krmilna naprava za savno javlja pomanjkanje vode, pustite, da se uparjalnik ohladi, ŠELE NATO nalijte vodo v posodo uparjalnika.
- Pri problemih, ki v navodilih za uporabo niso dovolj izčrpno obdelani, se zaradi svoje lastne varnosti obrnite na svojega dobavitelja.

## 3. Opis proizvoda

### 3.1. Dobavni obseg

- Peč za savno
- Navodila za montažo in uporabo
- Keramična skodela za zelišča in dišave

### 3.2. Pribor

<i>Pribor</i>	<i>Štev. artikla</i>
Komplet Auto-Refill	CP-RC-AF
Varnostni izklop	CP-R-SWL
Komplet držal za ograjo peči	CP-R-HSR
Ograja iz LIPOVEGA LESA velika	CP-R-L2
Ograja iz OREHOVEGA LESA velika	CP-R-N2
Emotion Set Ograja LIPOVEGA LESA velika	CPR-EMO-L2
Emoton Set Ograja OREHOVEGA LESA velika	CPR-EMO-N2

### 3.3. Funkcije proizvoda

Peč za savno Concept R combi je kombinirana peč. Možni so naslednji načini obratovanja:

- **Finsko obratovanje savne:** običajno 80 do 100 °C; pribl. 10 % rel. zračna vlaga
- **Kombinirano obratovanje** (le v kombinaciji s kombinirano krmilno napravo): pribl. 40 do 65 °C, 35 % do pribl. 70 % zračna vlaga. Maksimalno dopustna zračna vlaga pada z naraščajočo temperaturo.  
Po vaši želji lahko v kombiniranem obratovanju v keramično skodelo nad uparjalnikom daste dišave ali posušena zelišča. Dvigajoča se para sprosti eterična olja iz zelišč oz. porazdeli dišave v kabini savne.

## 4. Montaža in priključitev

Upoštevajte naslednje točke pri postavitvi in priključitvi peči za savno:



### OPOZORILO!

#### ***Nevarnost udara električnega toka***

- Montažo in priključitvena dela na peči za savno opravite le v brez-napetostnem stanju.
- 

- Električno priključitev sme opraviti le elektro strokovnjak ali kvalificirana oseba podobne stroke.
- Na mestu samem je potrebno predvideti ločilno napravo za vse pole s popolnim izklopom skladno s prenapetostno kategorijo III.
- Peč za savno Concept R combi je stoječa peč. Pritrditev v tla ali na steno savne ni potrebna.
- Peči za savno ne postavite na tla iz lahko gorljivega materiala kot sta les ali umetna masa. Primerne talne obloge so npr. keramične ploščice.

### 4.1. Postavitveno mesto in položaj tipala

Peč postavite središčno pred vstopno odprtino za zrak v steni kabine. Pri tem upoštevajte varnostne razmike od stene kabine, ki so navedeni v **SI. 1**.

Tipalo temperature z varovalko pred previsoko temperaturo montirajte na steno kabine nad sredino peči. Razmik od stropa kabine mora biti 15 cm.



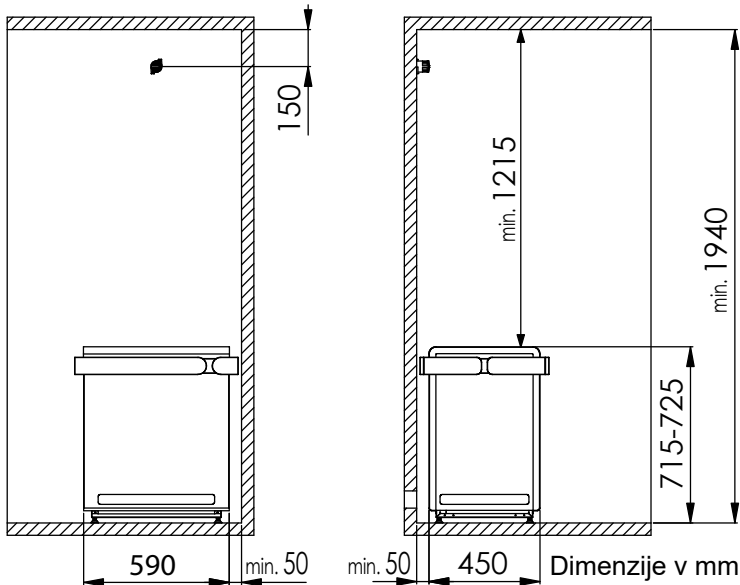
Če je poskrbljeno za zadostno zračenje, se lahko peč za savno Concept R postavi tudi prostostoječe. V tem primeru montirajte tipalo temperature na strop kabine nad sredino peči.

---

## 4.2. Varnostni razmiki

Upoštevajte minimalne varnostne razmike, ki so navedeni v **SI. 1**.

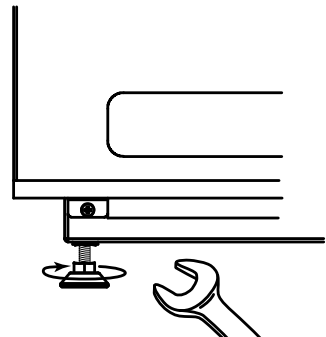
### SI. 1 Varnostni razmiki Concept R combi 9 kW in 10,5 kW (CP-RCB-090 / CP-RCB-105)



## 4.3. Nastavitev višine

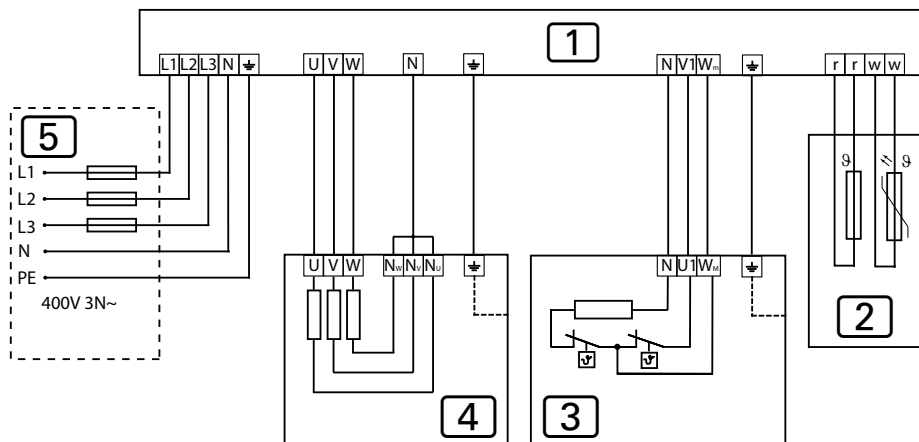
Peč za savno Concept R combi ima stojne noge, ki so nastavljive v višino. S temi se lahko višina peči nastavi od 715 mm do 725 mm. Ker se lahko višino vsake stojne noge nastavi individualno, je možna prilagoditev neravnim tlem.

1. Stojno nogo peči odvijte z viličastim ključem (13 mm).
2. Peč za savno rahlo dvignite in nogo zasukajte v desno. Tako znižate višino. Če jo zasukate v levo, višino zvišate.
3. Stojno nogo z viličastim ključem spet trdno privijte.



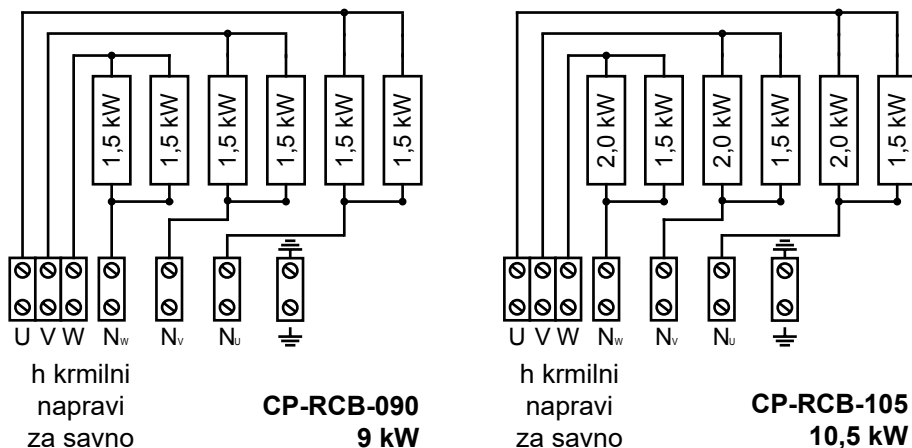
## 4.4. Priključitveni načrt za 400V 3N~

SI. 2 Priključitveni načrt Concept R combi 9 kW in 10,5 kW



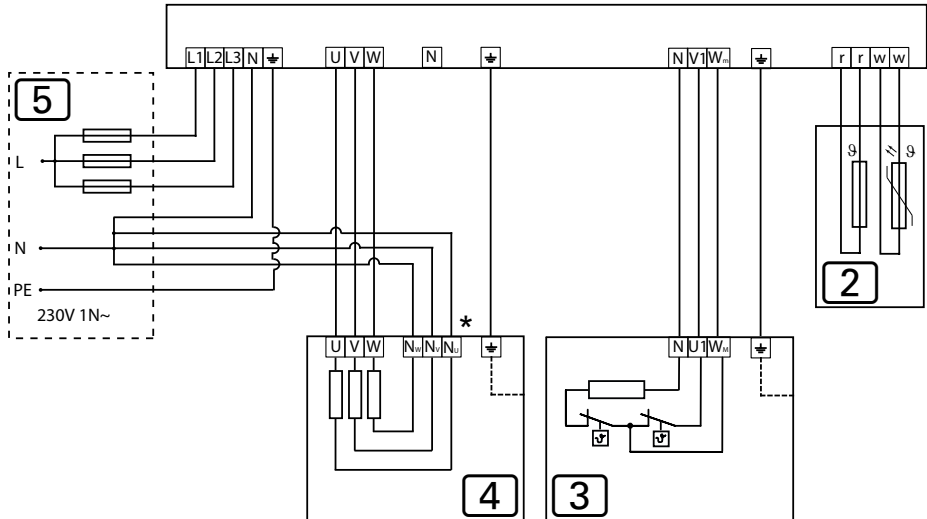
- 1 krmiljenje savne
- 2 tipalo temperature z varovalko pred previsoko temperaturo
- 3 uparjalnik
- 4 ogrevalni sistem
- 5 oskrba s tokom

SI. 3 Sheme priključitve in ožičenja – ogrevalni sistem

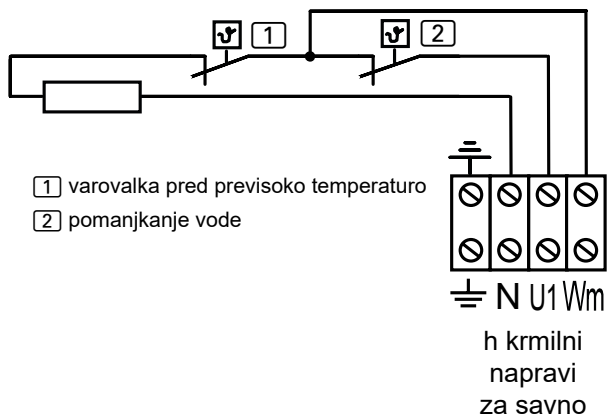


## 4.5. Priključitveni načrt za 230V 1N~

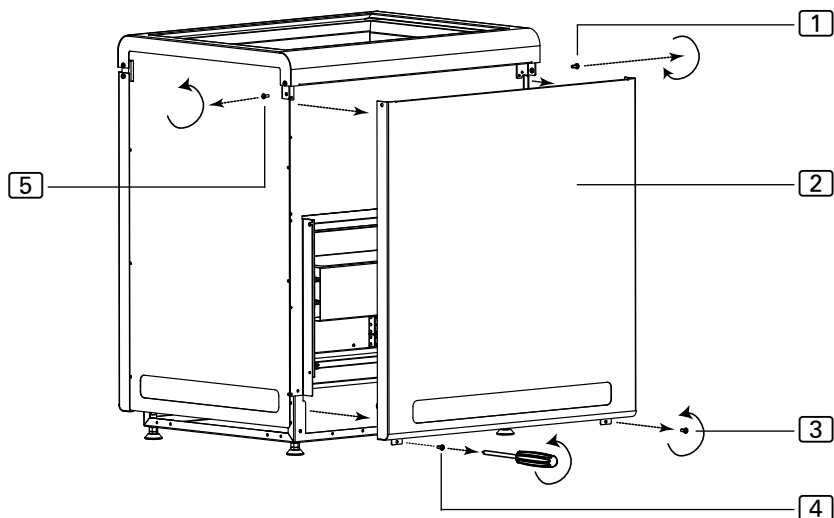
SI. 4 Priključitveni načrt Concept R combi 9 kW in 10,5 kW



- 1 krmiljenje savne
- 2 tipalo temperature z varovalko pred previsoko temperaturo
- 3 uparjalnik
- 4 ogrevalni sistem
- 5 oskrba s tokom
- \* Odstranite bakreni mostič

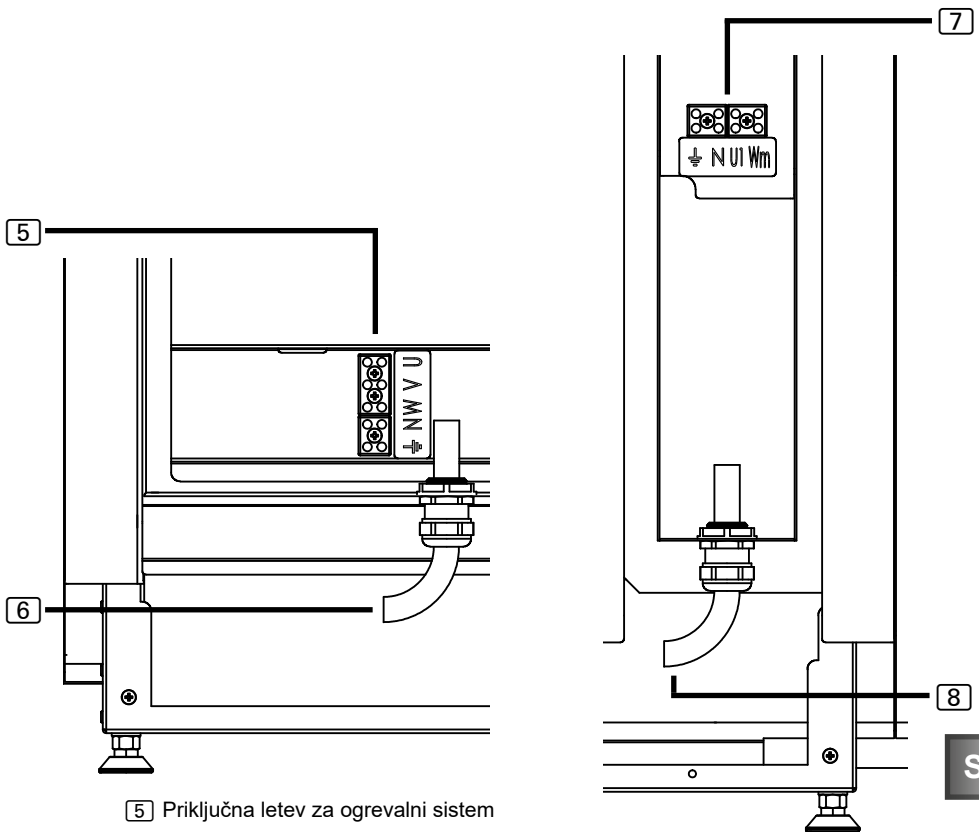
**SI. 5** Shema priključitve in ožičenja – uparjalnik**4.6. Električna priključitev**

1. Z izvijačem odvijte vijaka **3** in **4**.
2. Z izvijačem odvijte vijaka **1** in **5**.
3. Odstranite prekrivno pločevino **2**.





4. Priključni kabel ogrevalnega sistema speljite skozi skoznjik [6].
5. Žile tega priključnega kabla priključite na sponke U – V – W – N – PE na priključni letvi [5] in na ustrezne sponke krmiljenja peči. Pri tem upoštevajte navodila za montažo krmiljenja peči.
6. Kabel uparjalnika speljite skozi skoznjik [8].
7. Žile kabla uparjalnika priključite na sponke PE – N – U1 – Wm na priključni letvi [7] in na ustrezne sponke krmiljenja peči. Pri tem upoštevajte navodila za montažo krmiljenja peči.
8. Na peč za savno ponovno pritrдите prekrivno pločevino [2].



- [5] Priključna letev za ogrevalni sistem
- [6] Skoznjik za priključni kabel ogrevalnega sistema
- [7] Priključna letev za uparjalnik
- [8] Skoznjik za kabel uparjalnika

## 5. Zagon

### 5.1. Polnjenje posode za kamenje



#### **OPOZORILO!**

#### ***Nevarnost požara zaradi pregretja***

Če uporabite peč za savno brez kamenja, se stene kabine močno segrejejo. To lahko povzroči požare.

- Peči za savno NIKOLI ne zaženite brez kamenja za savno.

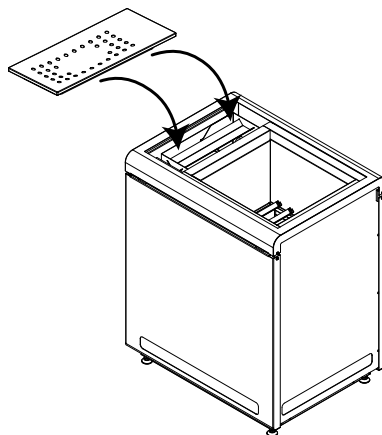
Količino kamenja, ki je primerna za moč vaše peči najdete v poglavju

#### **10. Tehnični podatki** (glejte stran **24**).

1. Pred uporabo kamenje za savno temeljito operite s ščetko in vodo. Ne uporabljajte dodatkov za čiščenje.
2. Preden peč za savno napolnite s kamenjem preverite, da ti ne vsebujejo tujkov in odstranite ostanke embalaže.
3. Kamenje za savno položite v posodo za kamenje. Razporedite jih rahlo, tako da lahko zrak med njimi kroži.
4. Pazite, da kamenje ne sega čez rob posode.

### 5.2. Uporaba keramične skodele

- Keramično skodelo postavite na posodo uparjalnika – kot je prikazano na sliki desno.



### 5.3. Prvo zagrevanje



#### PREVIDNOST!

#### **Nastanek dima in vonja ob prvem zagrevanju**

Na novih ogrevalnih palicah so obratovne snovi iz postopka izdelave. Te se razkrojijo ob prvem zagrevanju peči za savno. Pri tem nastane dim in neprijeten vonj. Če te pare ali dim vdihujete, škoduje to vašemu zdravju.

Naslednje korake opravite, ko vašo peč za savno **prvič zaženete** in ko ste **ogrevalne palice vaše peči za savno** zamenjali. Tako preprečite škodovanje zdravju zaradi par in dima, ki nastanejo ob prvem zagrevanju.

1. Prvo zagrevanje ogrevalnih palic
  - a. Na krmilni napravi za savno izberite najvišjo možno temperaturo.
  - b. Peč za savno zagrejte za pol ure.  
**V tem času se NE zadržujte v kabini savne.**
2. Prvo zagrevanje uparjalnika
  - a. Na krmilni napravi za savno izberite nizko temperaturo in visoko zračno vlago.
  - b. Uparjalnik zagrejte s polovično količino vode (glejte stran **20**)  
**V tem času se NE zadržujte v kabini savne.**
  - c. Po pribl. 15 minutah izklopite krmiljenje savne.
  - d. Pustite uparjalnik ohladiti (pribl. pol ure).
  - e. Izpraznite rezervoar za vodo (glejte **Polnjenje uparjalnika** na strani **20**)
  - f. Ponovite točko 2 b.
  - g. Po prvem zagrevanju kabino savne dobro prezračite.
  - h. Če pri naslednjem zagrevanju dim in vonj ne nastajata več, lahko začnete s kopeljo v savni.  
Če dim in vonj ponovno nastaneta, takoj zapustite kabino savne in ponovite prvo zagrevanje, kateremu mora slediti zračenje.

## 6. Upravljanje

---



### **OPOZORILO!**

#### ***Nevarnost požara***

Gorljivi predmeti, ki ležijo na vroči peči, se vnamejo in povzročijo požare.

- NIKOLI ne položite gorljivih predmetov na peč.
  - Prepričajte se, da na peči za savno ne ležijo NOBENI gorljivi predmeti, šele nato zaženite peč za savno.
- 

Upravljanje peči za savno poteka prek krmiljenja za savno. Informacije o upravljanju krmiljenja za savno dobite v navodilih za upravljanje naprave, ki jo uporabljate. Upoštevajte, da je peč za savno Concept R combi primerna le za krmiljenje za savno brez funkcije daljinskega zagona.



Le z varnostnim izklopom (CP-R-SWL), ki ga prejmete kot opcijo, je peč za savno Concept R combi primerna tudi za krmiljenje savne S funkcijo daljinskega zagona.

---

### **6.1. Finsko obratovanje savne**

Pri finskem obratovanju savne obratuje le ogrevalni sistem. Na voljo je suha toplota. Temperatura v kabini je visoka (80 do 100 °C). Vlaga je nizka, maksimalno 10 %. Temperaturo v kabini savne uravnava vaša krmilna naprava za savno.

Po končanem savnanju lahko opravite poparek. Z zajemalko polijte vodo preko kamenja za savno. Voda izpari in vlažnost v kabini se poveča.

Pri poparku upoštevajte naslednje točke:

- Za polivanje uporabite le vodo iz vodovoda. Morska voda, voda, ki vsebuje veliko kalcija in močno klorirana voda lahko poškodujejo peč za savno.
- Uporabite le dišave in eterična olja, ki so primerni izključno za uporabo kot sredstva za poparke v savnah. Upoštevajte podatke proizvajalca na embalaži sredstva za poparke.
- Vode ne polijte prehitro preko kamenja za savno. Le tako bo voda popolnoma izparela.

## 6.2. Kombinirano obratovanje

V kombiniranem obratovanju obratujeta ogrevalni sistem in uparjalnik. Temperatura v kabini savne je nižja kot v finskem obratovanju (pribl. 40 do 65 °C), zato pa je relativna zračna vlaga bistveno višja, od 35 % do pribl. 70 %. Maksimalno dopustna zračna vlaga pada z naraščajočo temperaturo. Temperaturo in zračno vlago v kabini savne uravnava vaša krmilna naprava za savno.

Posodo uparjalnika se mora polniti ročno. Če ste v posodi uparjalnika porabili zalogo vode, zaščita pred pregretjem avtomatsko izklopi ogrevanje uparjalnika. Pomanjkanje vode se sporoči krmilni napravi za savno in se tam prikaže, npr. z akustičnim opozorilnim zvokom in sporočilom „FILL“.



S kompletom Auto-Refill (CP-RC-AF) je možna fiksna priključitev vode in s tem avtomatsko polnjenje posode uparjalnika.

### POZOR!

#### **Poškodovanje uparjalnika**

Morska voda, voda, ki vsebuje veliko kalcija in močno klorirana voda, zelišča, esence ali dišave lahko poškodujejo uparjalnik.

- Posodo uparjalnika napolnite le z vodo iz vodovoda.
- Zelišč. esenc in dišav ne dajte direktno v posodo uparjalnika, temveč v keramično skodelo nad uparjalnikom.
- Iz uparjalnika redno odstranjujte vodni kamen (glejte **7.6.** na strani **24**).

**Polnjenje uparjalnika****PREVIDNOST!**  
***Nevarnost oparin***

Če v vročo posodo uparjalnika nalijete vodo, nastane vroča para.

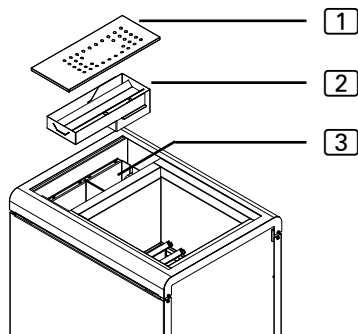
- NIKOLI ne vlijete vode v vročo posodo uparjalnika.
- Posodo uparjalnika preverite in napolnite vsakokrat preden zaženete kombinirano obratovanje.
- Če je zaščita pred pregretjem izklopila ogrevanje uparjalnika ali pa vaša krmilna naprava za savno javlja pomanjkanje vode, pustite, da se uparjalnik ohladi, ŠELE NATO nalijete vodo v posodo uparjalnika.

**PREVIDNOST!**  
***Nevarnost oparin***

Če je posoda uparjalnika prepolna, iz nje škropi vrela voda.

- Posodo uparjalnika napolnite le do maksimalne označitve.

1. Odstranite keramično skodelo **1** in uravnalnik pare **2**.
2. Posodo za prestrezanje (najmanj 5 litrov) postavite pod kroglasto pipo na dnu uparjalnika.
3. Kroglasto pipo zasukajte v levo, da izteče preostanek vode.
4. Ko je posoda uparjalnika **3** prazna, zaprite kroglasto pipo.
5. Napolnite posodo uparjalnika **3** s svežo vodo iz vodovoda do maksimalne označitve. Za to potrebujete pribl. 5 litrov vode. S to količino vode lahko uparjalnik obratuje približno 1 uro.
6. Ponovno vstavite keramično skodelo **1** in uravnalnik pare **2**.



## Uporaba dišav in zelišč

Po vaši želji lahko daste v keramično skodelo dišave ali posušena zelišča. Pri upoštevanju naslednje točke:

- Dišav ne dajte direktno v posodo uparjalnika.
- Keramično skodelo previdno napolnite, da dišave ne bi kapljale skozi luknje v keramični skodeli v posodo uparjalnika.
- Upoštevajte podatke proizvajalca na embalaži zelišč in dišav.

## 7. Vzdrževanje

### 7.1. Daljši premori med obratovanji

Ob vlažnih pogojih v okolici ali daljših premorih med obratovanji se v ogrevalnih palicah kopiči vlaga. To je fizikalni pojav in ni napaka proizvajalca. Vlaga v ogrevalnih palicah lahko povzroči sprožitev zaščitnega sikala FI. V tem primeru naj napako odpravi elektro strokovnjak (glejte poglavje **8. Reševanje problemov s strani monterja**).



Peč za savno zagrejte vsakih 5 do 6 tednov za pribl. 15 minut. Tako preprečite, da bi se ob daljših premorih med obratovanji v ogrevalnih palicah kopičila voda.

### 7.2. Čiščenje peči za savno

Pazite na to, da se v prezračevalnih odprtinah ne nabira prah in prašni puhek. Tako preprečite, da bi bila cirkulacija zraka v peči omejena in da bi se naprava pregrela.

### 7.3. Menjava kamenja za savno

Kamenje za savno obremenjujejo sredstva za poparke in velike temperaturne razlike, do katerih pride pri uporabi. Kamenje lahko postane načeto in krhko.

Zato preverite kamenje v rednih časovnih razmikih in ga najmanj enkrat letno zamenjajte.



#### **OPOZORILO!**

#### ***Nevarnost požara zaradi pregretja***

Če uporabite peč za savno brez kamenja, se stene kabine močno segrejejo. To lahko povzroči požare.

- Peči za savno NIKOLI ne zaženite brez kamenja za savno.

1. Staro kamenje za savno odstranite.
2. Posodo za kamenje očistite ostankov kalcija, prahu in drugih nečistoč.
3. Pred uporabo kamenje za savno temeljito operite s ščetko in vodo. Ne uporabljajte dodatkov za čiščenje.
4. Preden peč za savno napolnite s kamenjem preverite, da ti ne vsebujejo tujkov in odstranite ostanke embalaže.
5. Kamenje za savno položite v posodo za kamenje. Razporedite jih rahlo, tako da lahko zrak med njimi kroži.
6. Pazite, da kamenje ne sega čez rob posode.

#### **7.4. Čiščenje posode uparjalnika**

Posodo uparjalnika spraznite in očistite po vsaki uporabi. Za to opravite naslednje korake:

1. Počakajte, da se voda v uparjalniku ohladi.
2. Posodo za prestrezanje postavite pod kroglasto pipo na dnu uparjalnika.
3. Kroglasto pipo zasukajte v levo, da izteče preostanek vode.
4. Ko je posoda uparjalnika prazna, zaprite kroglasto pipo.
5. Odstranite keramično skodelo in uravnalnik pare.
6. Očistite posodo uparjalnika in uravnalnik pare s ščetko za gospodinjstvo s ščetinami iz umetne mase. Izperite z vodo.
7. Ponovno vstavite keramično skodelo in uravnalnik pare.

#### **7.5. Čiščenje keramične skodele**

Keramično skodelo za zelišča in esence očistite po potrebi v pomivalnem stroju.



## 7.6. Odstranjevanje vodnega kamna iz posode uparjalnika

Po potrebi odstranite vodni kamen iz uparjalnika. Za to uporabite sredstvo za odstranjevanje vodnega kamna za gospodinjske aparate. Pri tem upoštevajte zahteve in varnostna opozorila proizvajalca.

1. Raztopino za odstranjevanje vodnega kamna pripravite po navodilih proizvajalca.
2. Uparjalnik napolnite z raztopino za odstranjevanje vodnega kamna do maksimalne označitve.
3. Raztopino za odstranjevanje vodnega kamna pustite vreti 10 minut.
4. Počakajte, da se raztopina za odstranjevanje vodnega kamna v uparjalniku ohladi.
5. Posodo za prestrezanje postavite pod kroglasto pipo na dnu uparjalnika in izpraznite posodo uparjalnika.
6. Posodo uparjalnika izperite 2 krat z vodo iz vodovoda.

## 8. Reševanje problemov s strani monterja

### *Ohlajanje ogrevalnih palic*

Ob vlažnih pogojih v okolici ali daljših premorih med obratovanji se lahko v ogrevalnih palicah kopiči vlaga. To je fizikalni pojav in ni napaka proizvajalca. Vlaga v ogrevalnih palicah lahko povzroči sprožitev zaščitnega stikala FI.

V tem primeru je potrebno, da peč ohladite pod nadzorom elektro strokovnjaka. Pri tem se mora izklopiti zaščitno funkcijo stikala FI. Postopek ohlajanja traja pribl. 10 minut. Nato se mora ponovno vzpostaviti zaščitno funkcijo stikala FI.

Če težave še vedno ne morete odpraviti, se obrnite na vašega dobavitelja.

## 9. Odstranjevanje



- Embalažni material odstranite po veljavnih smernicah za odstranjevanje.
- Izrabljene stare naprave vsebujejo ponovno uporabne materiale, pa tudi škodljive snovi. Zato vaše stare naprave ne odložite med ostale odpadke, temveč jo odstranite po krajevnih veljavnih predpisih.

## 10. Tehnični podatki

Dimenzije Concept R combi najdete v **SI. 6**.

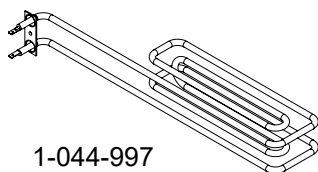
Štev. artikla	Moč ogrevalni sistem [kW]	Moč uparjalnik [kW]	Volumen kabine [m <sup>3</sup> ]	Minimalna velikost prezračevalna odprtina [mm]
CP-RCB-090	9,0	2,5	9–14	350 x 50
CP-RCB-105	10,5	2,5	10–15	350 x 60

Štev. artikla	Teža brez kamenja [kg]	Količina kamenja [kg]	Varovalka [A]	Oskrba
CP-RCB-090	34	pribl. 25	3 x 16	400 VAC 3N~ 50/60 Hz  230 VAC 1N~ 50/60 Hz
CP-RCB-105	34	pribl. 25	3 x 16	400 VAC 3N~ 50/60 Hz  230 VAC 1N~ 50/60 Hz

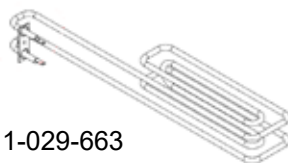
Štev. artikla	Ogrevalne palice
CP-RBC-090	6 x SCA150 (1-028-518)
CP-RCB-105	3 x SCA150 (1-028-518) / 3 x SCA200 (1-028-503)

### Dodatni uparjalnik Ogrevane palice

1 x 1-044-997 / 1-029-663 (star)



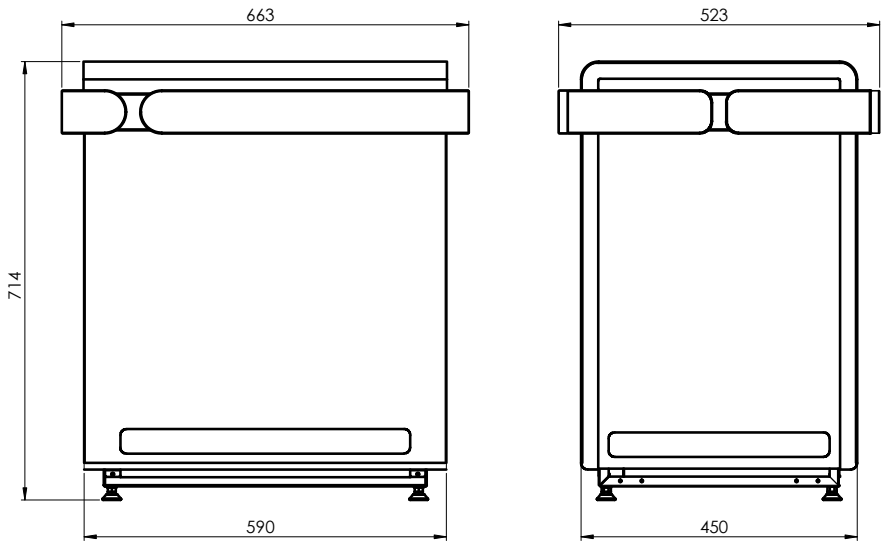
1-044-997



1-029-663

## 11. Dimenzije

### Sl. 6 Dimenzije Concept R combi 9 kW in 10,5 kW



Dimenzije v mm



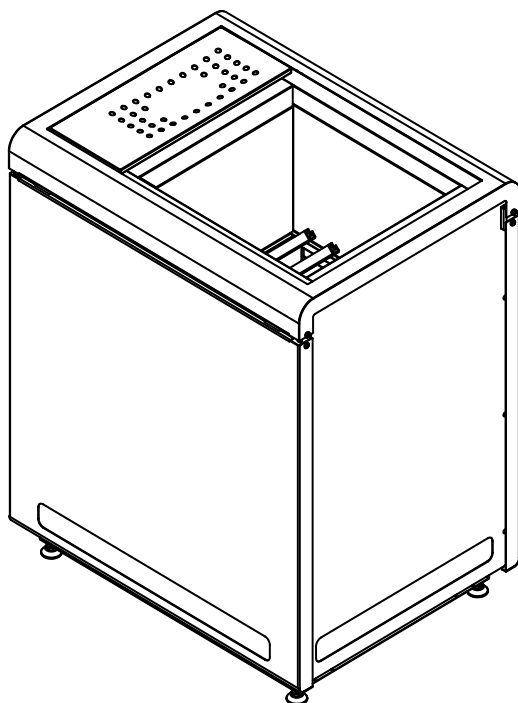
# Kiuas

## Concept R combi black

CP-RCB-090 / 1-027-775: Concept R combi 9,0 kW

CP-RCB-105 / 1-027-776: Concept R combi 10,5 kW

### ASENNUS- JA KÄYTTÖOHJEET Suomi



FI

# Sisällysluettelo

<b>1. Sananen näistä ohjeista</b>	<b>4</b>
<b>2. TÄRKEITÄ OHJEITA turvallisuutesi varmistamiseksi</b>	<b>5</b>
2.1. Käyttötarkoitus	5
2.2. Turvaohjeita asentajalle	6
2.3. Turvaohjeita käyttäjälle	7
<b>3. Tuotekuvaus</b>	<b>9</b>
3.1. Toimituskokonaisuus	9
3.2. Lisävarusteet	9
3.3. Tuotteen toiminnot	9
<b>4. Asennus ja liitäntä</b>	<b>10</b>
4.1. Sijoituspaikka ja anturin sijainti	10
4.2. Suojaetäisyydet	11
4.3. Korkeuden säätö	11
4.4. Liitäntäkaavio, malli 400V 3N~	12
4.5. Liitäntäkaavio, malli 230V 1N~	13
4.6. Sähköliitäntä	14
<b>5. Käyttöönotto</b>	<b>16</b>
5.1. Kivitiilan täyttäminen	16
5.2. Keraamisen astian asettaminen paikalleen	16
5.3. Ensimmäinen lämmityskerta	17
<b>6. Käyttö</b>	<b>18</b>
6.1. Suomalainen saunakäyttö	18
6.2. Yhdistelmäkäyttö	19

<b>7. Huolto</b>	<b>21</b>
7.1. Pidemmät käyttökätkokset.....	21
7.2. Kiukaan puhdistaminen.....	21
7.3. Kiuaskivien vaihtaminen.....	21
7.4. Höyrystimen säiliön puhdistaminen .....	22
7.5. Keraamisen astian puhdistaminen.....	22
7.6. Höyrystimen säiliön kalkinpoisto.....	23
<b>8. Asentajan ongelmanratkaisuja</b>	<b>23</b>
<b>9. Hävittäminen</b>	<b>23</b>
<b>10. Tekniset tiedot</b>	<b>24</b>
<b>11. Mitat</b>	<b>25</b>

# 1. Sananen näistä ohjeista

Lue nämä asennus- ja käyttöohjeet huolellisesti läpi ja säilytä niitä saunan lähellä. Näin voit katsoa turvallisuuttasi sekä käyttöä koskevia tietoja milloin tahansa.



Asennus- ja käyttöohjeet saat myös Internet-sivujemme materiaalinla-  
tausosioista osoitteesta [www.sentiotec.com/downloads](http://www.sentiotec.com/downloads).

## **Symbolit ja varoitukset**

Näissä asennus- ja käyttöohjeissa annetaan varoitus ennen toimia, jotka muodostavat vaaratekijän. Näitä varoituksia on ehdottomasti noudatettava. Näin vältät esinevahingot ja loukkaantumiset, jotka pahimmassa tapauksessa voivat aiheuttaa jopa kuoleman.

Varoituksissa käytetään huomiosanoja, joiden merkitys on seuraava:



### **VAARA!**

Jos et noudata tätä varoitusta, seurauksena on kuolema tai vakava loukkaantuminen.



### **VAROITUS!**

Jos et noudata tätä varoitusta, seurauksena voi olla kuolema tai vakava loukkaantuminen.



### **VARO!**

Jos et noudata tätä varoitusta, seurauksena voi olla lievä loukkaantuminen.

## **HUOMIO!**

Tällä huomiosanalla varoitetaan esinevahingoista.

## **Muut symbolit**



Tällä symbolilla merkitään vinkit ja hyödylliset ohjeet.



Ei saa peittää!



Lue käyttöohjeet



## **2. TÄRKEITÄ OHJEITA turvallisuutesi varmistamiseksi**

Concept R combi -kiuas on valmistettu hyväksytyjen turvallisuusteknisten sääntöjen mukaan. Käytön yhteydessä voi silti ilmetä vaaroja. Noudata siksi seuraavia turvaohjeita ja yksittäisissä luvuissa annettuja erityisiä varoituksia.

### **2.1. Käyttötarkoitus**

Concept R combi on integroidulla höyrystimellä varustettu kiuas. Concept R combi -kiuasta saa käyttää ainoastaan saunatilojen lämmittämiseen ja ilmankosteuden nostamiseen saunahuoneessa. Concept R combi -kiuasta saa käyttää ainoastaan ohjauskeskuksella, jossa ei ole etäkäynnistystoimintoa.

Ainoastaan yhdessä valinnaisesti saatavilla olevan turvakatkaisimen (CP-R-SWL) kanssa voi Concept R combi -kiuasta käyttää myös ohjauskeskuksella, jossa on etäkäynnistystoiminto.

Ainoastaan yhdessä valinnaisesti saatavilla olevan turvakatkaisimen (CP-R-SWL) kanssa voi Concept R combi -kiuasta käyttää myös yleisissä saunoissa.

Muunlaisen käytön katsotaan poikkeavan tuotteen käyttötarkoituksesta. Tuotteen käyttötarkoituksesta poikkeava käyttö voi johtaa tuotteen vaurioitumiseen, vakaviin vammoihin tai kuolemaan.

## 2.2. Turvaohjeita asentajalle

- Kiukaan parissa tehtävät asennus- ja liitäntätyöt saa suorittaa vain silloin, kun kiuas ei ole kytkettynä virtalähteeseen.
- Vain sähköalan ammattilainen tai vastaavan pätevyyden omaava henkilö saa suorittaa asennuksen.
- Asiakkaan on järjestettävä ylijännitekategorian III mukainen kaikkinaipainen erotuslaite, joka takaa täyden katkaisun.
- Käytä kiukaan liittämiseen ainoastaan 150 °C kestäviä silikoni-johtoja.
- Asenna saunahuoneeseen ainoastaan yksi kiuas. Concept R combi -kiuasta ei saa käyttää samassa saunahuoneessa muiden kiukaiden kanssa.
- Saunahuoneen katto ja seinät on valmistettava pihkaamattomasta, käsittelemättömästä tai lämpökäsitellystä puusta, esim. kuusesta, hemlokista, männystä tai pihdasta tai kertopuumateriaaleista. Kertopuumateriaaleja käytettäessä on varmistettava, että niiden liimoista ei irtoa formaldehydiä. Jos saunahuoneessa käytetään muita materiaaleja kuin puuta, näiden materiaalien pitää kestää kuumuutta ja korroosiota, eikä niillä saa olla kielteistä vaikutusta saunojien terveyteen.
- Saunahuoneen korkeuden on oltava vähintään 2 metriä.
- Noudata saunahuoneen tilavutta ja tuuletusta koskevia ohjeita kappaleessa **10. Tekniset tiedot** sivulla **24**.
- Kiuasta sijoitettaessa on otettava huomioon vähimmäissuojajäätisyydet (katso kappale **4.2. Suojaetäisyydet** sivulla **11**).
- Noudata myös sijoituspaikan paikallisia määräyksiä.
- Käänny oman turvallisuutesi vuoksi toimittajasi puoleen sellaisissa ongelmissa, joita ei käsitellä asennusohjeessa kyllin tarkasti.

### 2.3. Turvaohjeita käyttäjälle

- Alle 8-vuotiaat lapset eivät saa käyttää laitetta.
- Yli 8-vuotiaat lapset, fyysisiltä, sensorisilta tai henkisiltä kyvyiltään rajoittuneet henkilöt sekä henkilöt, joiden kokemus ja tiedot ovat puutteellisia, saavat käyttää laitetta seuraavin ehdoin:
  - jos he ovat valvonnan alaisia.
  - jos heille on näytetty turvallinen käyttö ja he ymmärtävät vaarat, joita voi syntyä.
- Lapset eivät saa leikkiä laitteella.
- Alle 14-vuotiaat lapset saavat puhdistaa laitteen vain valvonnan alaisina.
- Jätä saunominen terveydellisistä syistä väliin, jos olet alkoholin, lääkkeiden tai huumeiden vaikutuksen alaisena.
- Kiuasta ei saa koskaan käyttää ilman saunakiviä, muutoin voi syttyä tulipalo.
- Lämmitä kiuasta ja höyrystintä puoli tuntia ENNEN ensimmäistä saunomista. ÄLÄ oleskele tänä aikana saunahuoneessa. Tuuleta saunahuone loppuksi hyvin (katso **5.3. Ensimmäinen lämmityskerta** sivulla 17).
- Ennen kuin kytket kiukaan päälle, varmista, että kiukaalla ei ole tulenarkoja esineitä.

- Älä koske kiukaaseen käytön aikana. Kiukaan pinta ja kivet kuumenevat hyvin voimakkaasti.
- **ÄLÄ KOSKAAN** kaada vettä kuumaan höyrystimen säiliöön. Tarkasta ja täytä höyrystinsäiliö aina ennen yhdistelmätoiminnon käyttöä. Anna höyrystimen jäähtyä **ENNEN** veden täyttämistä höyrystinsäiliöön, jos ylikuumenemissuoja on katkaissut höyrystimen lämmityksen tai jos ohjauskeskus ilmaisee vedenpuutteen.
- Käänny oman turvallisuutesi vuoksi toimittajasi puoleen sellaisissa ongelmissa, joita ei käsitellä käyttöohjeessa kyllin tarkasti.

## 3. Tuotekuvaus

### 3.1. Toimituskokonaisuus

- Kiuas
- Asennus- ja käyttöohjeet
- Keraaminen astia yrteille ja tuoksuille

### 3.2. Lisävarusteet

<i>Lisävarusteet</i>	<i>Tuotenumero</i>
Automaattinen uudelleentäyttö	CP-RC-AF
Turvakatkaisin	CP-R-SWL
Kiuaskaiteen pidikesarja	CP-R-HSR
LEHMUS puukaide suuri	CP-R-L2
PÄHKINÄPUU puukaide suuri	CP-R-N2
Emotion setti kaide LEHMUS suuri	CPR-EMO-L2
Emotion setti kaide PÄHKINÄPUU suuri	CPR-EMO-N2

### 3.3. Tuotteen toiminnot

Concept R combi on yhdistelmäkiuas. Seuraavat käyttötavat ovat mahdollisia:

- **Suomalainen saunakäyttö:** yleensä 80...100 °C; suhteellinen ilmankosteus noin 10 %
- **Yhdistelmätoiminto** (ainoastaan yhdessä yhdistelmäohjauksen kanssa): noin 40...65 °C, ilmankosteus 35 % ... n. 70 %. Sallittu maksimi-ilmankosteus laskee lämpötilan noustessa.  
Yhdistelmätoiminnossa voit halutessasi lisätä tuoksuja tai kuivattuja yrtejä höyrystimen yläpuolella olevaan keraamiseen astiaan. Nouseva höyry vapauttaa yrteistä eteerisiä öljyjä ja levittää saunaan tuoksua.

## 4. Asennus ja liitäntä

Huomaa seuraavat kohdat, kun asennat ja liität kiuasta:



### **VAROITUS!**

#### **Sähköiskuvaara**

- Suorita kiukaan asennus- ja liitäntätyöt ainoastaan sen ollessa jännitteetön.
- 

- Vain sähköalan ammattilainen tai vastaavan pätevyyden omaava henkilö saa suorittaa sähköliitännät.
- Asiakkaan on järjestettävä ylijännitekategorian III mukainen kaikkinaipainen erotuslaite, joka takaa täyden katkaisun.
- Concept R combi -kiuas on jalustalle asetettava kiuas. Kiinnitys lattiaan tai seinään ei ole tarpeen.
- Älä sijoita kiuasta helposti palavasta materiaalista valmistetulle lattialle, kuten puu tai muovi. Sopiva lattiamateriaali on esim. keraaminen laatta.

### 4.1. Sijoituspaikka ja anturin sijainti

Sijoita kiuas keskelle saunahuoneen seinän ilmanottoaukkojen eteen. Noudata tällöin seinään pidettäviä suojaetäisyyksiä, ks. **Kuva 1**.

Asenna ylikuumenemissuojalla varustettu lämpötila-anturi saunahuoneen seinään, suoraan kiukaan yläpuolelle. Etäisyyttä saunahuoneen kattoon on oltava 15 cm.



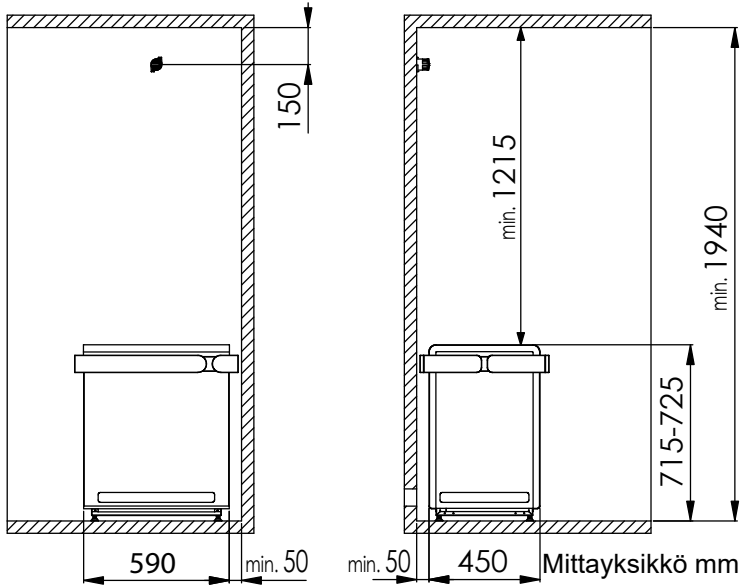
Concept R -kiukaan voi asentaa itsenäisesti seisomaan, jos huolehditaan riittävästä tuuletuksesta. Asenna lämpötila-anturi tällöin huoneen kattoon kiukaan keskikohtaan.

---

## 4.2. Suojaetäisyydet

Ota vähimmäissuojaetäisyydet huomioon, ks. **Kuva 1**.

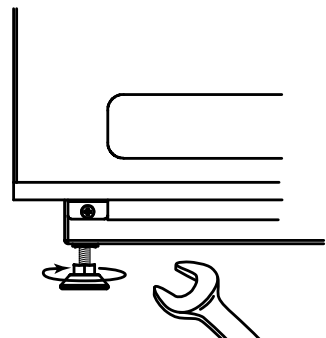
**Kuva 1** Suojaetäisyydet Concept R combi 9 kW ja 10,5 kW (CP-RCB-090 / CP-RCB-105)



## 4.3. Korkeuden säätö

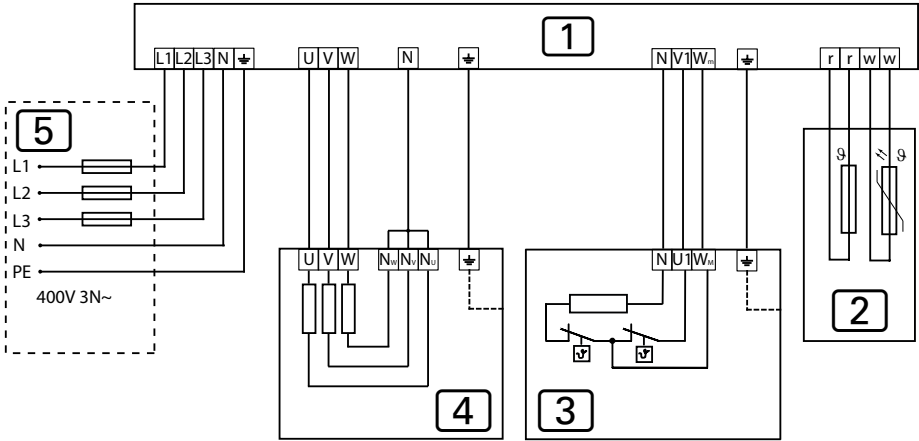
Concept R combi -kiukaassa on korkeussäädettävät jalat. Niillä kiukaan korkeutta voi säätää 715 ja 725 cm:n välillä. Sijoitus epätasaiselle lattialle on mahdollista, koska jalvoja voi säätää yksitellen.

1. Löysää kiukaan jalkaa kiintoavaimella (13 mm).
2. Nosta kiuasta kevyesti ja kierrä jalkaa oikealle laskeaksesi korkeutta. Kierrä vasemmalle nostaaksesi korkeutta.
3. Kiristä jalka uudelleen kiintoavaimella.



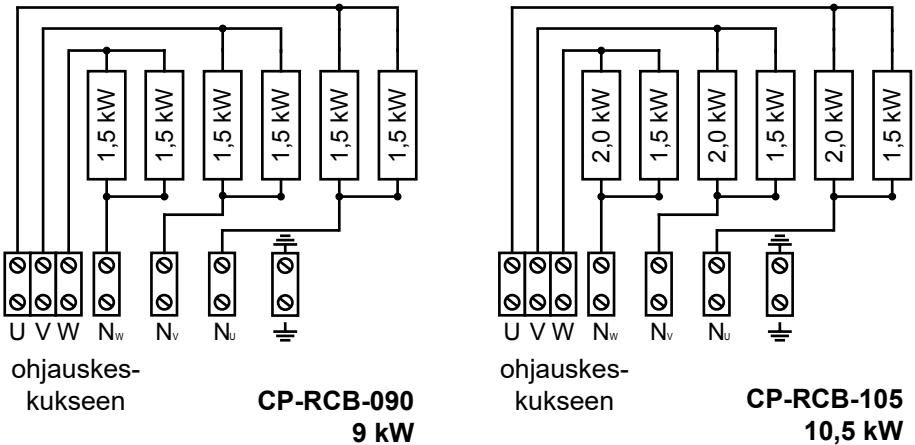
### 4.4. Liitântäkaavio, malli 400V 3N~

**Kuva 2** Liitântäkaavio Concept R combi 9 kW ja 10,5 kW



- 1 ohjauskeskus
- 2 ylikuumentumissuojalla varustettu lämpötila-anturi
- 3 höyrystin
- 4 lämmitysjärjestelmä
- 5 sähkönsyöttö

**Kuva 3** Johdotuskaaviot – lämmitysjärjestelmä



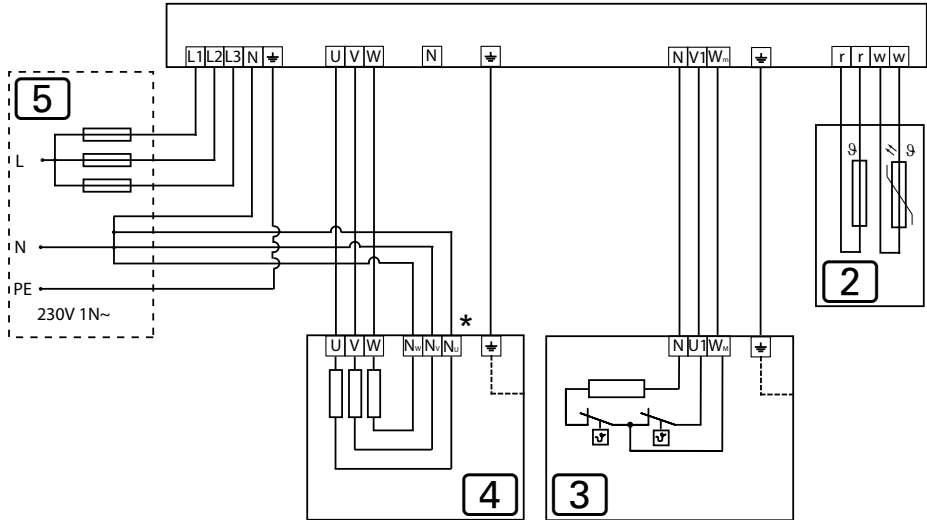
**CP-RCB-090**  
9 kW

**CP-RCB-105**  
10,5 kW

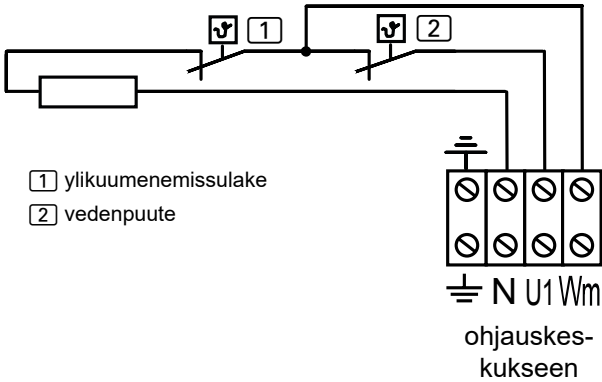


## 4.5. Liitäntäkaavio, malli 230V 1N~

**Kuva 4** Liitäntäkaavio Concept R combi 9 kW ja 10,5 kW

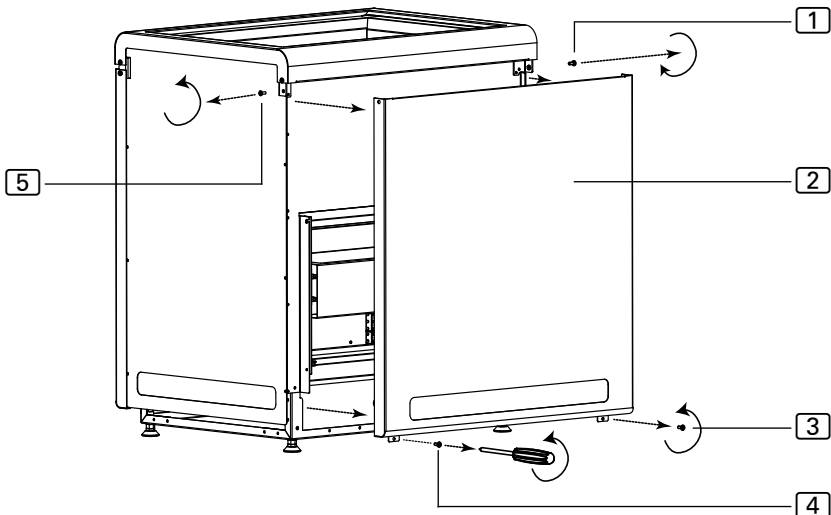


- 1 ohjauskeskus
- 2 ylikuumentemissuojalla varustettu lämpötila-anturi
- 3 höyrystin
- 4 lämmitysjärjestelmä
- 5 sähkönsyöttö
- \* Kuparisilloituksen poistaminen

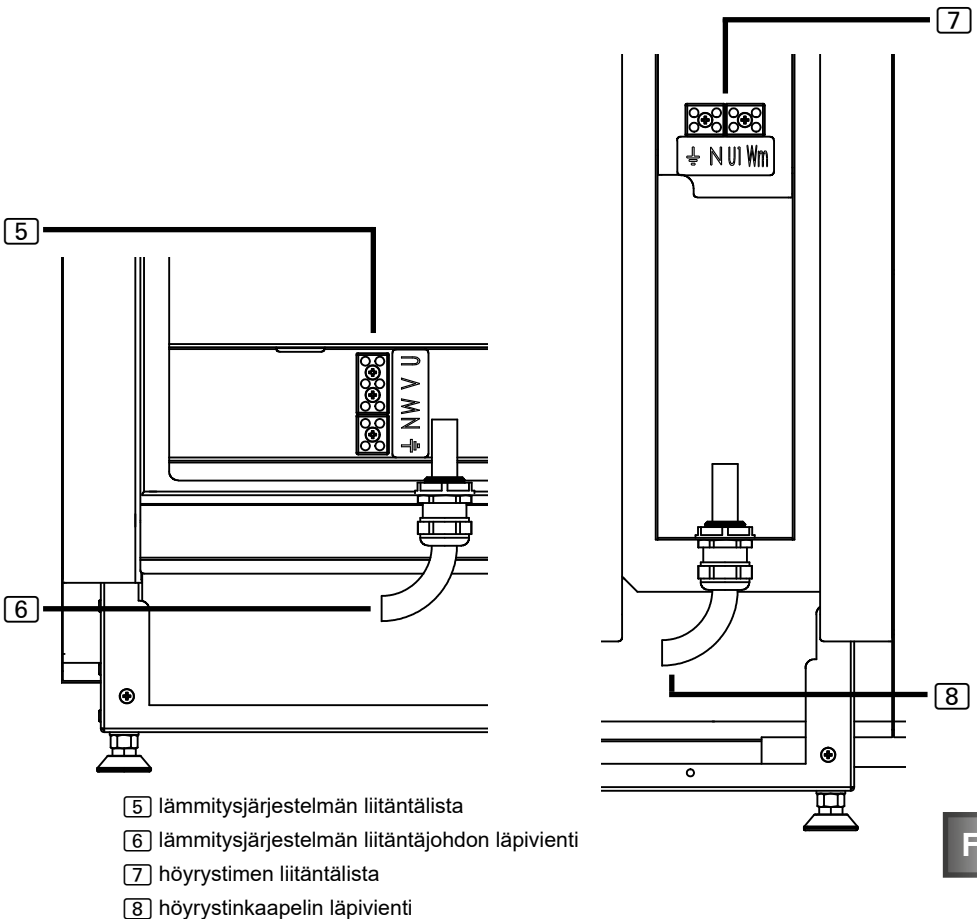
**Kuva 5** Johdotuskaavio – höyrystin

#### 4.6. Sähköliitäntä

1. Avaa ruuvit [3] ja [4] ruuvimeisselillä.
2. Avaa ruuvit [1] ja [5] ruuvimeisselillä.
3. Irrota katapultti [2].



4. Vedä lämmitysjärjestelmän liitäntäjohto läpiviennin [6] kautta.
5. Liitä liitäntäjohtoon johtimet liitäntälistan liittimiin U – V – W – N – PE [5] sekä ohjauskeskuksen sopiviin liittimiin. Noudata tällöin ohjauskeskuksen asennusohjetta.
6. Vedä höyrystimen kaapeli läpiviennin [8] kautta.
7. Liitä höyrystinkaapelin johtimet liitäntälistan liittimiin PE – N – U1 – Wm [7] ja ohjauskeskuksen sopiviin liittimiin. Noudata tällöin ohjauskeskuksen asennusohjetta.
8. Kiinnitä katapultti [2] uudelleen kiukaaseen.



## 5. Käyttöönotto

### 5.1. Kivitilan täyttäminen

**VAROITUS!*****Ylikuumentuminen aiheuttaa palovaaran***

Jos kiuasta käytetään ilman kiviä, saunahuoneen seinät kuumenevat voimakkaasti. Se voi aiheuttaa tulipalon.

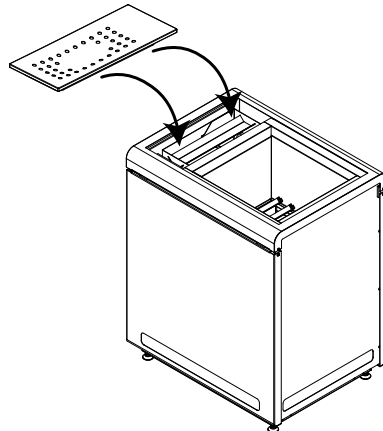
- Kiuasta EI KOSKAAN saa käyttää ilman kiuaskiviä.

Kiuastehoosi tarvittavan kivimäärän näet kappaleesta **10. Tekniset tiedot** (katso sivu **24**).

1. Pese kiuaskivet ennen käyttöä huolellisesti harjalla ja vedellä. Älä käytä puhdistuslisäaineita.
2. Ennen kuin ladot kivet kiukaaseen, tarkista, että kivien joukossa ei ole vieraita esineitä ja poista kaikki pakkausjäänteet.
3. Lado kiuaskivet kivitilaan. Lado kiuaskivet väljästi, jotta ilma pääsee kiertämään vapaasti.
4. Varmista, etteivät kiuaskivet tule kivitilan reunan yli.

### 5.2. Keraamisen astian asettaminen paikalleen

- Aseta keraaminen astia höyrystinsäiliön päälle – kuten kuvassa oikealla.



### 5.3. Ensimmäinen lämmityskerta

**VARO!*****Ensilämmityksen aikana syntyy savua ja hajua***

Uusissa lämmitysvastuksissa on valmistusprosessista jääneitä käyttöaineita. Nämä tuhoutuvat ensimmäisellä lämmityskerralla. Samalla syntyy savua ja epämiellyttävää hajua. Näiden höyryjen tai savun hengittäminen on terveydelle haitallista.

Kun otat kiukaan **käyttöön ensimmäistä kertaa** ja kun **kiukaan lämmitysvastukset on vaihdettu**, tee seuraavat työvaiheet. Näin estät ensimmäisen lämmityskerran yhteydessä syntyvien höyryn ja savun aiheuttamat terveyshaitat.

1. Lämmitysvastusten lämmittäminen ensimmäisen kerran
  - a. Valitse ohjauskeskuksesta mahdollisimman korkea lämpötila.
  - b. Lämmitä kiuasta puoli tuntia.  
**ÄLÄ OLESKELE tänä aikana saunahuoneessa.**
2. Höyrystimen lämmittäminen ensimmäistä kertaa
  - a. Valitse ohjauskeskuksesta matala lämpötila ja korkea ilmankosteus.
  - b. Lämmitä höyrystintä puolella vesimäärällä (katso sivu **20**)  
**ÄLÄ OLESKELE tänä aikana saunatilassa.**
  - c. Kytke kiuas pois päältä noin 15 minuutin kuluttua.
  - d. Anna höyrystimen jäähtyä (noin puolen tunnin ajan).
  - e. Tyhjennä vesisäiliö (katso **Höyrystimen täyttäminen** sivulla **20**)
  - f. Toista vaihe 2 b.
  - g. Tuuleta saunahuone hyvin ensilämmityksen jälkeen.
  - h. Jos seuraavan lämmittämisen aikana ei muodostu enää savua tai hajua, voit aloittaa saunomisen.  
Jos savua tai hajua syntyy, poistu saunahuoneesta välittömästi ja toista ensimmäinen lämmittäminen ja tuuletus.

## 6. Käyttö

---



### **VAROITUS!**

#### **Palovaara**

Kuumalla kiukaalla olevat tulenarat esineet syttyvät ja aiheuttavat tulipalon.

- ÄLÄ KOSKAAN laske tulenarkoja esineitä kiukaalle.
  - Varmista, että kiukaalla EI ole tulenarkoja esineitä, kun otat kiukaan käyttöön.
- 

Kiuasta käytetään ohjauskeskuksella. Tietoa ohjauskeskuksen käytöstä saat käytettävän laitteen käyttöohjeesta. Huomaa, että Concept R combi -kiuas soveltuu ainoastaan ohjauskeskuksille, joissa ei ole etäkäynnistystoimintoa.

---



Valinnaisena saatavilla olevalla turvakatkaisimella (CP-R-SWL) voi Concept R combi -kiuasta käyttää myös etäkäynnistystoiminnon KANSSA.

---

### 6.1. Suomalainen saunakäyttö

Suomalaisessa saunakäytössä käytetään ainoastaan lämmitysjärjestelmää. Lämpö on tällöin kuivaa. Saunahuoneen lämpötila on korkea (80...100 °C). Kosteusarvot ovat vähäiset, enintään 10 %. Saunahuoneen lämpötilaa säädetään ohjauskeskuksella.

Saunomisen loppupuolella voit heittää löylyä. Kaada vettä kauhalla kiuaskivien päälle. Vesi höyrystyy, ja ilmankosteus saunahuoneessa kohoaa.

Huomaa löylynheitossa seuraavat kohdat:

- Käytä ainoastaan vesijohtovettä. Merivesi, hyvin kalkkipitoinen ja kloorattu vesi voivat vaurioittaa kiuasta.
- Käytä ainoastaan sellaisia tuoksuja ja eteerisiä öljyjä, jotka ovat nimenomaan tarkoitettu saunan löylyveteen. Huomaa löylyaineiden valmistajien ohjeet pakkauksissa.
- Älä kaada vettä kiville liian nopeasti. Muutoin vesi ei höyrysty kokonaan.

## 6.2. Yhdistelmäkäyttö

Yhdistelmäkäytössä käytetään lämmitysjärjestelmää ja höyrystintä. Saunahuoneen lämpötila on alhaisempi (n. 40...65 °C) kuin suomalaisessa saunakäytössä, kun taas suhteellinen ilmankosteus on huomattavasti suurempi, 35 %...noin 70 %. Sallittu maksimi-ilmankosteus laskee lämpötilan noustessa. Saunahuoneen lämpötilaa ja ilmankosteutta säädetään ohjauskeskuksella.

Höyrystimen säiliö on täytettävä käsin. Kun höyrystimen säiliössä oleva vesi on kulutettu loppuun, ylikuumenemissuoja kytkee höyrystimen lämmityksen automaattisesti pois päältä. Vedenpuute ilmoitetaan ohjauskeskukselle, mistä se ilmaistaan esim. äänimerkillä ja ilmoituksella "FILL".



Automaattisen uudelleentäyttösarjan (CP-RC-AF) ansiosta on mahdollista luoda kiinteä vesipiste ja siten mahdollistaa höyrystinsäiliön automaattinen täyttö.

### HUOMIO!

#### *Höyrystimen vauriot*

Merivesi, hyvin kalkkipitoinen ja kloorattu vesi, yrtit, esanssit tai tuoksut voivat vaurioittaa höyrystintä.

- Täytä höyrystimen säiliö ainoastaan vesijohtovedellä.
- Älä lisää yrtejä, esansseja tai tuoksuja suoraan höyrystimen säiliöön vaan ainoastaan höyrystimen päällä olevaan keraamiseen astiaan.
- Poista höyrystimestä kalkki säännöllisesti (katso **7.6.** sivulla **24**).

## Höyrystimen täyttäminen



### VARO!

#### Palovammavaara

Jos kaadat vettä höyrystimen kuumaan säiliöön, syntyy kuumaa höyryä.

- ÄLÄ KOSKAAN kaada vettä kuumaan höyrystimen säiliöön.
- Tarkasta ja täytä höyrystinsäiliö aina ennen yhdistelmätoiminnon käyttöä.
- Anna höyrystimen jäähtyä ENNEN veden täyttämistä höyrystinsäiliöön, jos ylikuumenemissuoja on katkaissut höyrystimen lämmityksen tai jos ohjauskeskus ilmaisee vedenpuutteen.



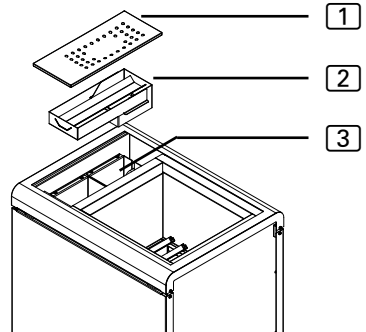
### VARO!

#### Palovammavaara

Jos höyrystimen säiliö on liian täynnä, siitä roiskuu kiehuvaa vettä.

- Täytä höyrystimen säiliö korkeintaan maksimimerkkiin saakka.

1. Poista keraaminen astia [1] ja höyrysuppilo [2].
2. Aseta höyrystimen jalustan palloventtiilin alle keräysastia (vähintään 5 litraa).
3. Kierrä palloventtiili vasemmalle, niin että jäljellä oleva vesi virtaa ulos.
4. Sulje palloventtiili, kun höyrystimen säiliö [3] on tyhjä.
5. Täytä höyrystimen säiliö [3] maksimimerkkiin saakka raikkaalla vesijohtovedellä. Tarvitset noin 5 litraa vettä. Tällä vesimäärällä höyrystintä voi käyttää noin 1 tunnin verran.
6. Aseta keraaminen astia [1] ja höyrysuppilo [2] uudelleen paikalleen.





## **Tuoksujen ja yrttien käyttäminen**

Voit halutessasi lisätä tuoksuja tai kuivattuja yrttejä keraamiseen astiaan. Huomaa tällöin seuraavat kohdat:

- Älä lisää tuoksuja suoraan höyrystimeen.
- Täytä keraaminen astia varovasti, etteivät tuokсут valu astian reikien läpi höyrystimen säiliöön.
- Huomaa yrttien ja tuoksujen valmistajien ohjeet pakkauksissa.

## **7. Huolto**

### **7.1. Pidemmät käyttökatkokset**

Kosteissa ympäristöolosuhteissa tai käyttökatkosten kestäessä pitkään lämmitysvastuksiin kertyy kosteutta. Tämä on fyysikaalinen ilmiö, eikä siis valmistajan virhe. Lämmitysvastusten kosteus voi aiheuttaa FI-suojakytkimen laukeamisen. Jos näin tapahtuu, ota yhteyttä sähköalan ammattilaiseen vian korjaamiseksi (katso kappale **8. Asentajan ongelmanratkaisuja**).



Lämmitä kiuasta 5-6 viikon välein noin 15 minuutin ajan. Näin estät veden kertymisen lämmitysvastuksiin pidempien käyttökatkosten aikana.

### **7.2. Kiukaan puhdistaminen**

Varmista, että tuuletusaukoissa ei ole nukkaa ja pölyä. Näin estät kiukaan ilman kierron rajoittumisen ja laitteen ylikuumentumisen.

### **7.3. Kiuaskivien vaihtaminen**

Löylyvesi ja suuret lämpötilavaihtelut kuormittavat kiuaskiviä. Kiuaskivet voivat kulua ja murentua.

Tarkasta kiuaskivet säännöllisesti ja vaihda ne vähintään kerran vuodessa.



#### **VAROITUS!**

#### ***Ylikuumentuminen aiheuttaa palovaaran***

Jos kiuasta käytetään ilman kiviä, saunahuoneen seinät kuumenevat voimakkaasti. Se voi aiheuttaa tulipalon.

- Kiuasta EI KOSKAAN saa käyttää ilman kiuaskiviä.

1. Poista vanhat kiuaskivet.
2. Puhdista kivitila kalkista, pölystä ja muusta liasta.
3. Pese kiuaskivet ennen käyttöä huolellisesti harjalla ja vedellä. Älä käytä puhdistuslisäaineita.
4. Ennen kuin ladot kivet kiukaaseen, tarkista, että kivien joukossa ei ole vieraita esineitä ja poista kaikki pakkausjäänteet.
5. Lado kiuaskivet kivitilaan. Lado kiuaskivet väljästi, jotta ilma pääsee kiertämään vapaasti.
6. Varmista, etteivät kiuaskivet tule kivitilan reunan yli.

#### **7.4. Höyrystimen säiliön puhdistaminen**

Tyhjennä ja puhdista höyrystimen säiliö aina käytön jälkeen. Tee sitä varten seuraavat vaiheet:

1. Odota, kunnes höyrystimen vesi on jäähtynyt.
2. Aseta höyrystimen jalustan palloventtiilin alle keräysastia.
3. Kierrä palloventtiili vasemmalle, niin että jäljellä oleva vesi virtaa ulos.
4. Sulje palloventtiili, kun höyrystimen säiliö on tyhjä.
5. Poista keraaminen astia ja höyrystin.
6. Puhdista höyrystimen säiliö ja höyrystin muovisella talousharjalla. Huuhtelee vedellä.
7. Aseta keraaminen astia ja höyrystin uudelleen paikalleen.

#### **7.5. Keraamisen astian puhdistaminen**

Puhdista keraaminen tuoksu- ja yrttiastia tarpeen mukaan astianpesukoneessa.

## 7.6. Höyrystimen säiliön kalkinpoisto

Poista kalkki höyrystimen säiliöstä tarvittaessa. Käytä siihen kodinkoneiden kalkinpoistoainetta. Noudata valmistajan määräyksiä ja turvaohjeita.

1. Valmista kalkinpoistoliuos valmistajan ohjeiden mukaan.
2. Täytä kalkinpoistoliuosta höyrystimeen maksimimerkkiin saakka.
3. Anna kalkinpoistoliuoksen kiehua 10 minuuttia.
4. Odota, kunnes kalkinpoistoliuos on jäähtynyt höyrystimessä.
5. Aseta keräysastia höyrystimen jalustan palloventtiilin alle ja tyhjennä höyrystimen säiliö.
6. Huuhtelee höyrystimen säiliö 2 kertaa vesijohtovedellä.

## 8. Asentajan ongelmanratkaisuja

### *Lämmitysvastusten lämmittäminen*

Kosteissa ympäristöolosuhteissa tai käyttökatkosten kestäessä pitkään lämmitysvastuksiin voi kertyä kosteutta. Tämä on fysikaalinen ilmiö, eikä siis valmistajan virhe. Lämmitysvastusten kosteus voi joissain tilanteissa aiheuttaa FI-suojakytkimen laukeamisen.

Jos näin tapahtuu, kiuasta täytyy lämmittää sähköalan ammattilaisen valvonnassa. FI-suojakytkimen suojaus toiminto on tällöin kytkettävä pois päältä. Lämmitys kestää noin 10 minuuttia. Sen jälkeen FI-kytkimen suojaus toiminto on kytkettävä jälleen päälle.

Jos ongelma jatkuu, käänny laitteen toimittajan puoleen.

## 9. Hävittäminen



- Hävitä pakkausmateriaali voimassa olevien määräysten mukaisesti.
- Laiteromussa on kierrätettäviä materiaaleja, mutta myös haitallisia aineita. Älä siis missään tapauksessa hävitä laiteromua sekajätteen mukana, vaan hävitä laite paikallisten voimassa olevien määräysten mukaisesti.

## 10. Tekniset tiedot

Concept R combi -kiukaan mitat näet kohdasta **Kuva 6**.

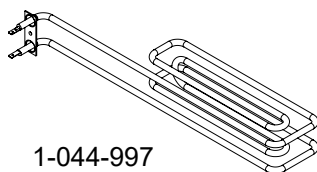
Tuote-numero	Lämmitysjärjestelmän teho [kW]	Höyrystimen teho [kW]	Sauna-huoneen tilavuus [m <sup>3</sup> ]	Tuuletusaukon vähimmäiskoko [mm]
CP-RCB-090	9,0	2,5	9 - 14	350 x 50
CP-RCB-105	10,5	2,5	10 - 15	350 x 60

Tuote-numero	Paino ilman kiviä [kg]	Kivimäärä [kg]	Sulake [A]	Syöttö
CP-RCB-090	34	noin 25	3 x 16	400 VAC 3N~ 50/60 Hz  230 VAC 1N~ 50/60 Hz
CP-RCB-105	34	noin 25	3 x 16	400 VAC 3N~ 50/60 Hz  230 VAC 1N~ 50/60 Hz

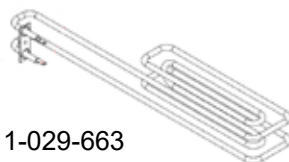
Tuote-numero	Lämmitysvastukset
CP-RBC-090	6 x SCA150 (1-028-518)
CP-RBC-105	3 x SCA150 (1-028-518) / 3 x SCA200 (1-028-503)

### Evaporator Lämmitysvastukset

1 x 1-044-997 / 1-029-663 (vanha)



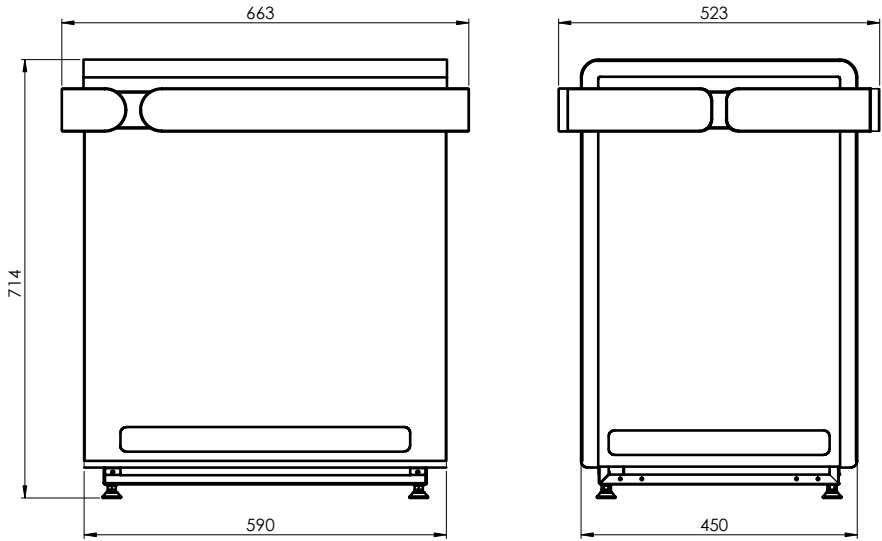
1-044-997



1-029-663

## 11. Mitat

Kuva 6 Mitat Concept R combi 9 kW ja 10,5 kW



Mittayksikkö mm







sentiotec GmbH | Division of Harvia Group | Wartenburger Straße 31, A-4840 Vöcklabruck  
T +43 (0) 7672/22 900-50 | F -80 | [info@sentiotec.com](mailto:info@sentiotec.com) | [www.sentiotec.com](http://www.sentiotec.com)