

# Sauna heater

## Concept R mini combi

CP-RMC-35 / 1-041-405: Concept R mini combi 3.5 kW

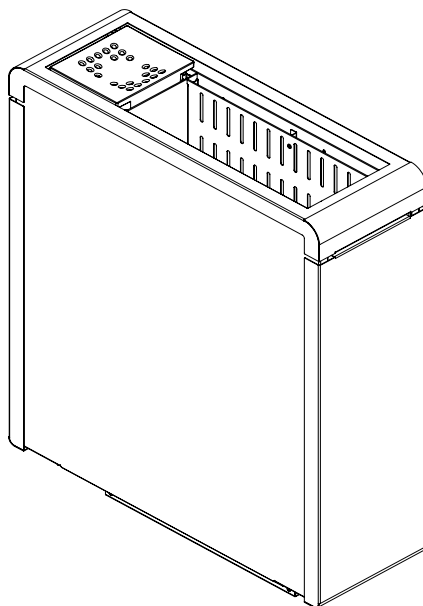
CP-RMC-45 / 1-041-406: Concept R mini combi 4.5 kW

CP-RMC-60 / 1-041-407: Concept R mini combi 6.0 kW

CP-RMC-75 / 1-041-408: Concept R mini combi 7.5 kW

### INSTRUCTIONS FOR INSTALLATION AND USE

English



EN

DE

FR

SV

FI

# Table of Contents

<b>1. About this instruction manual</b>	<b>4</b>
<b>2. Important information for your safety</b>	<b>5</b>
2.1. Intended use	5
2.2. Safety information for the installer	5
2.3. Safety information for the user	7
<b>3. Product description</b>	<b>9</b>
3.1. Scope of delivery	9
3.2. Accessories	9
3.3. Product functions	9
<b>4. Installation and connection</b>	<b>10</b>
4.1. Installation location and sensor position	10
4.2. Safety intervals	11
4.3. Installation on the cabin wall	12
4.4. Installation with foot (optional)	14
4.5. Connection diagram for 400V 3N~	16
4.6. Connection diagram for 230V 1N~	17
4.7. Wiring diagrams	18
4.8. Electrical connection	19
4.9. Installing the heater railing (optional)	20
<b>5. Commissioning</b>	<b>23</b>
5.1. Filling the stone container	23
5.2. Inserting the ceramic bowl	23
5.3. Heating for the first time	24

<b>6. Operation</b>	<b>25</b>
6.1. Finnish sauna mode	25
6.2. Combi mode	26
<b>7. Maintenance</b>	<b>28</b>
7.1. Extended periods of non-use	28
7.2. Cleaning the sauna heater	28
7.3. Changing the sauna stones	29
7.4. Cleaning the evaporator tank	29
7.5. Cleaning the ceramic bowl	30
7.6. Descaling the evaporator tank	30
<b>8. Disposal</b>	<b>30</b>
<b>9. Problem-solving by the installer</b>	<b>31</b>
<b>10. Technical data</b>	<b>32</b>

# 1. About this instruction manual

Carefully read these instructions for installation and use, and keep them near the sauna. This ensures that you can refer to information about your safety and the operation at any time.



These installation and operating instructions can also be found in the downloads section of our website: [www.sentiotec.com/downloads](http://www.sentiotec.com/downloads).

## ***Symbols used for warning notices***

In these instructions for installation and use, a warning notice located next to an activity indicates that this activity poses a risk. Always observe the warning notices. This prevents damage to property and injuries, which in the worst case may be fatal.

The warning notices contain keywords, which have the following meanings:



### **DANGER!**

Serious or fatal injury will occur if this warning notice is not observed.



### **WARNING!**

Serious or fatal injury can occur if this warning notice is not observed.



### **CAUTION!**

Minor injuries can occur if this warning notice is not observed.

## **ATTENTION!**

This keyword is a warning that damage to property can occur.

## ***Other symbols***



This symbol indicates tips and useful information.



Do not cover



Read the operating instructions

## 2. Important information for your safety

The Concept R mini combi sauna heater has been produced in accordance with the applicable safety rules and regulations. However, hazards may occur during use. Therefore adhere to the following safety information and the specific warning notices in the individual chapters.

### 2.1. Intended use

The Concept R mini combi is a sauna heater with integrated evaporator. The Concept R mini combi may only be used for heating sauna cabins and for increasing the humidity inside the sauna cabin. The Concept R mini combi must only be used in combination with a sauna control unit that does not include remote start functions.

Any use exceeding this scope is considered improper use. Improper use can result in damage to the product, severe injuries or death.

EN

### 2.2. Safety information for the installer

- Installing and connecting the sauna heater may only be performed when the power supply is disconnected.
- Installation may only be performed by a qualified electrician or similarly qualified person.
- A fully disconnecting all-pole isolating device compliant with overvoltage category III must be fitted on site.
- Always use silicone cables that are heat-resistant up to 150 °C to connect the sauna heater.
- Only install one sauna heater in the cabin. The Concept R mini combi sauna heater must not be used together with other sauna heaters in a sauna cabin.

- The roof and walls of the sauna cabin must be manufactured from low-resin, untreated or thermally treated wood, e.g. Nordic spruce, hemlock, pine or fir, or from laminated wooden materials. If laminated wooden materials are used, make sure that the adhesive used in them does not produce formaldehyde. If other materials than wood are used in the sauna cabin, these materials must be heat-resistant and corrosion-resistant and must not cause any negative effects on the health of the sauna users.
- The height of the sauna cabin must be at least 1.64 m.
- Observe the specifications on volumes and on ventilation of the sauna cabin in chapter **10. Technical data**.
- When positioning the sauna heater, observe the minimum safety distances (see chapter **4.2. Safety intervals**).
- Also comply with the regulations applicable at the installation location.
- For your own safety, consult your supplier in the event of problems that are not explained in sufficient detail in the installation instructions.

### **2.3. Safety information for the user**

- The device must not be used by children under 8 years old.
- The device may only be used by children over 8 years old, by persons with limited psychological, sensory or mental capabilities or by persons with lack of experience/knowledge under the following conditions:
  - They are supervised.
  - They have been shown how to use the device safely and are aware of the hazards that could occur.

- Children must not play with the device.
- Children under 14 years old may only clean the device if they are supervised.
- For health reasons, do not use the sauna when under the influence of alcohol, medication or drugs.
- Never operate the sauna heater without sauna stones as this can cause fires.
- Make sure that no flammable objects have been placed on the sauna heater before the sauna control unit is switched on.
- Heat up the sauna heater for half an hour **BEFORE** using the sauna for the first time. Do **NOT** remain in the sauna cabin during this period. Then ventilate the sauna cabin well (see **5.3. Heating for the first time** on page **23**).
- Never touch the sauna heater while it is operating. The surfaces of the sauna heater and sauna stones become extremely hot.
- **NEVER** pour water into the hot evaporator tank. Check and fill the evaporator tank each time before starting combi mode. If the overheating protection has switched off evaporator heating, or if your sauna control unit reports a lack of water, allow the evaporator to cool down **BEFORE** you pour water into the evaporator tank.
- For your own safety, consult your supplier in the event of problems that are not described in sufficient detail in the operating instructions.

## 3. Product description

### 3.1. Scope of delivery

- Sauna heater
- Instructions for installation and use

### 3.2. Accessories

<i>Accessories</i>	<i>Item number</i>
Set of brackets for the Concept R mini combi heater railing	CP-RMC-HSR / 1-041-410
Wood railing for Concept R mini combi, lime wood	CP-RMC-L / 1-041-412
Wood railing for Concept R mini combi, walnut	CP-RMC-N / 1-041-411
Foot for Concept R mini combi	CP-RMC-SF / 1-041- 409
Cover foot for Concept R mini, lime wood	CP-RM-CSF-L / 1-041482
Cover foot for Concept R mini, walnut	CP-RM-CSF-N / 1-041-483

### 3.3. Product functions

- **Finnish sauna mode:** usually 80 to 100 °C; approx. 10% rel. humidity
- **Combi mode** (only in combination with a combi control): approx. 40 to 65 °C, 35% to 70% humidity. The maximum permissible relative humidity decreases with increasing temperature.

If you wish, you can put fragrances or dried herbs in the ceramic bowl over the evaporator in combi mode. The rising steam releases essential oils from the herbs and fragrances fill the sauna cabin.



## 4. Installation and connection

Take the following points into account when positioning and connecting the sauna heater:



### **WARNING!**

#### ***Danger of electric shock***

- The sauna heater may only be installed and connected when the power supply is disconnected.
- 
- The electrical connection may only be performed by a qualified electrician or similarly qualified person.
  - A fully disconnecting all-pole isolating device compliant with overvoltage category III must be fitted on site.
  - The Concept R mini combi sauna heater can be used as a wall-mounted heater or as a free-standing heater. When mounted to the wall, check that the heater has been firmly installed on the mounting rail before starting heater operation. When installing the device with foot, check that the footing is firm.

EN

### 4.1. Installation location and sensor position

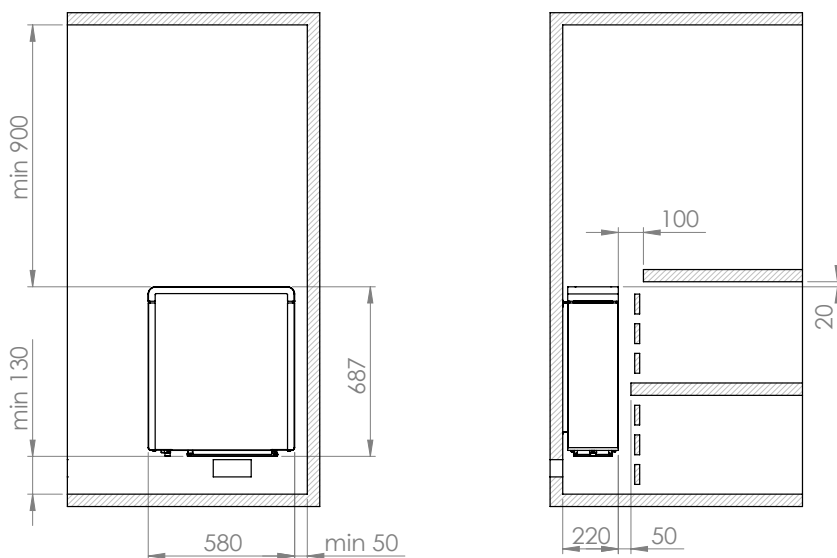
Position the heater centrally in front of the air intake opening on the cabin wall. Comply with the safety intervals to the cabin wall specified in **Fig. 1**.

Install the temperature sensor with overheat cut-out to the cabin wall above the centre of the sauna heater. Maintain a distance of 15 cm to the sauna cabin roof.

## 4.2. Safety intervals

Observe the minimum safety intervals specified in **Fig. 1**.

**Fig. 1** Safety intervals  
for the Concept R mini combi 3.5 kW, 4.5 kW, 6.0 kW and 7.5 kW  
(CP-RMC-35 / CP-RMC-45 / CR-RMC-60 / CP-RMC-75)  
Dimensions in mm



### 4.3. Installation on the cabin wall

Observe **Fig. 1**, **Fig. 2**, **Fig. 3** and **Fig. 4** (page 11, 12, 13).

1. Attach the mounting rail [1] to the wall horizontally using the wood screws supplied [2]. Observe the minimum intervals for the heater shown in Fig. 1.
2. Suspend the heater [3] from the mounting rail from above, moving it downwards. Make sure that the heater is flush with the wall.
3. Secure the heater [3] using the lock screws supplied [4] on the mounting rail [1].

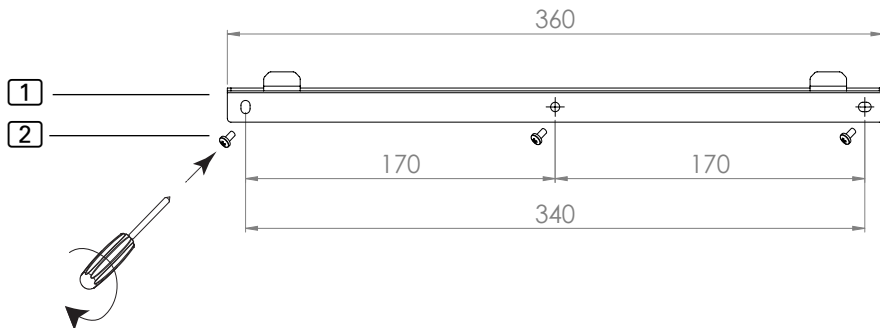


#### **WARNING!**

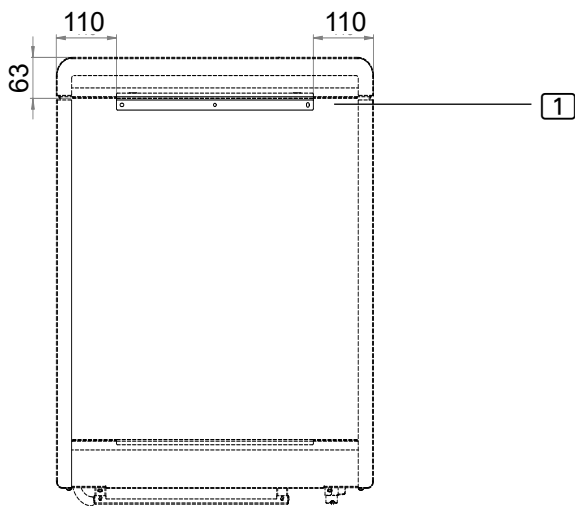
#### **Risk of fire**

- To fix the heater in place and secure it against slippage, use the supplied lock screw [4] for attachment.

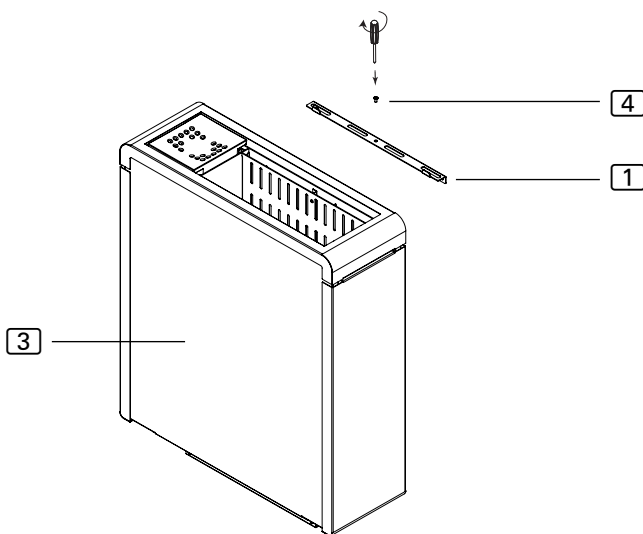
**Fig. 2** Position of the mounting rail for Concept R mini combi  
Dimensions in mm



**Fig. 3** Position of the mounting rail for Concept R mini combi  
Dimensions in mm



**Fig. 4** Securing the Concept R mini combi (mounting rail)



#### 4.4. Installation with foot (optional)

Observe **Fig. 1**, **Fig. 5**, **Fig. 6** (page 10, 13, 14).

1. Attach the foot **1** using the screws enclosed **2** to the bottom of the heater. Please note that the round recess is on the evaporator side.
2. Affix the foot using the screws enclosed to the floor (**Fig. 6**). Depending on the floor conditions, use the enclosed wood screws or anchors with the corresponding screws. Observe the minimum intervals for the heater shown in **Fig. 1**.

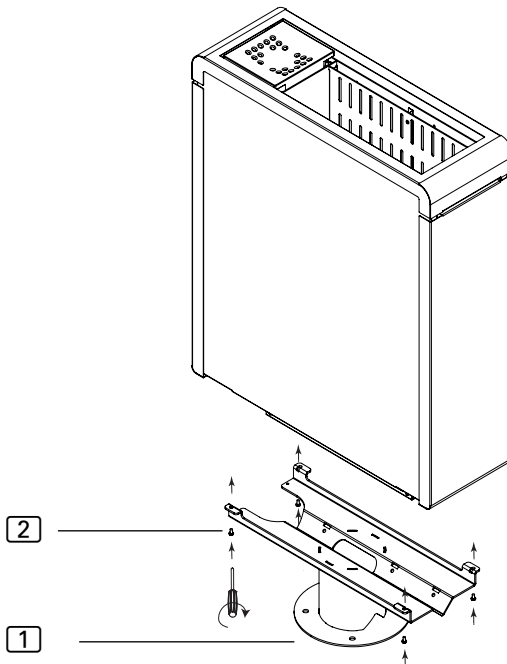


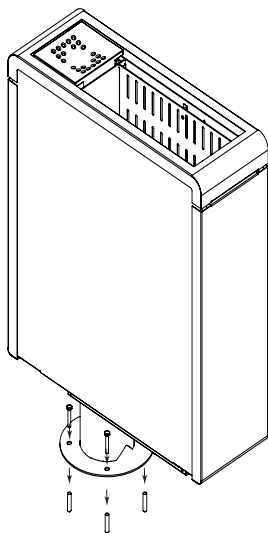
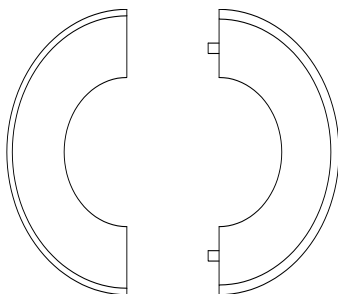
#### **WARNING!**

#### ***Risk of fire***

- Affix the heater with the foot on a sufficiently solid substrate, e.g. on the substrate onto which the sauna cabin is built – NOT on the floor covering of the sauna.

**Fig. 5** Installing the foot on the Concept R mini combi

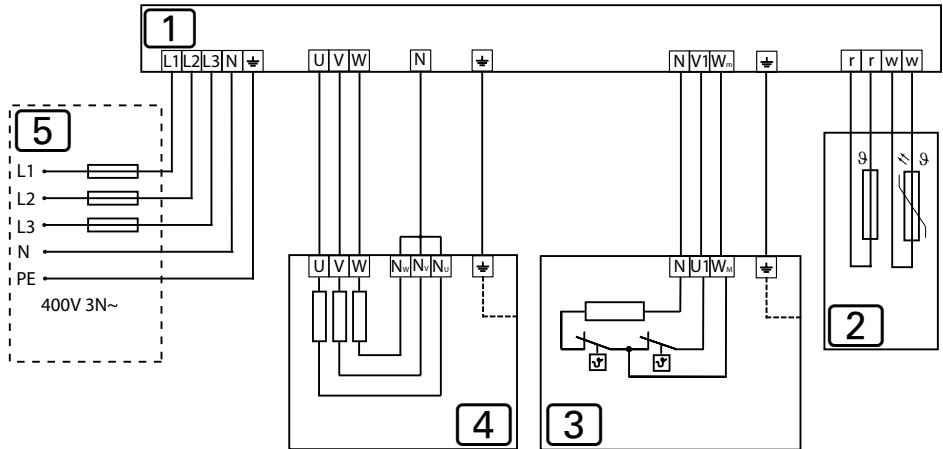


**Fig. 6** Fixing the Concept R mini combi with foot in place**Fig. 7** Installing the wooden cover for the foot (optional)

Place the two halves of the cover ring around the foot and press them together firmly to cover the screws of the foot.

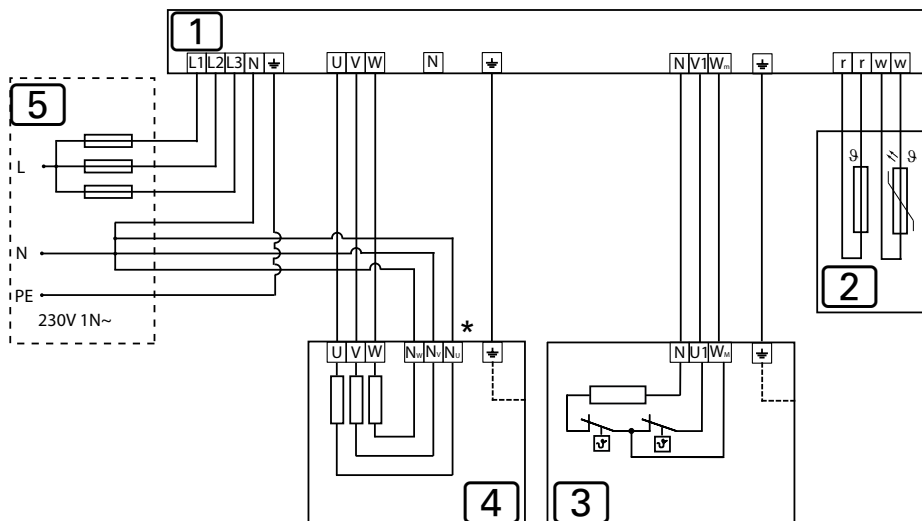
### 4.5. Connection diagram for 400V 3N~

**Fig. 8** Connection diagram for the Concept R mini combi 3.5 kW, 4.5 kW, 6.0 kW and 7.5 kW  
(CP-RMC-35 / CPC-RM-45 / CR-RMC-60 / CP-RMC-75)



## 4.6. Connection diagram for 230V 1N~

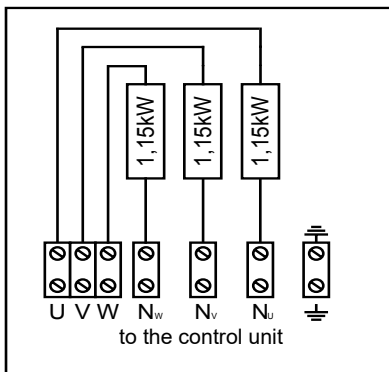
**Fig. 9** Connection diagram for the Concept R mini combi 3.5 kW, 4.5 kW, 6.0 kW and 7.5 kW  
(CP-RMC-35 / CPC-RM-45 / CR-RMC-60 / CP-RMC-75)



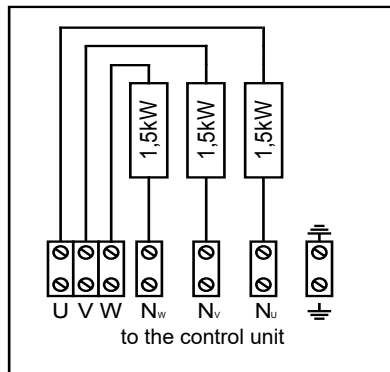
- 1 Sauna control unit
  - 2 Temperature sensor with excess temperature cut-out
  - 3 Evaporator 1.0 kW or 1.5 kW
  - 4 Heating system 3.45 kW, 4.5 kW, 6.0 kW or 7.5 kW
  - 5 Power supply
- \* Remove the copper bridge



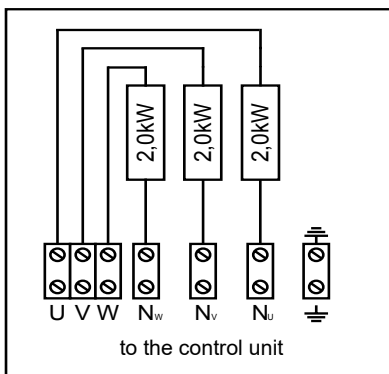
## 4.7. Wiring diagrams



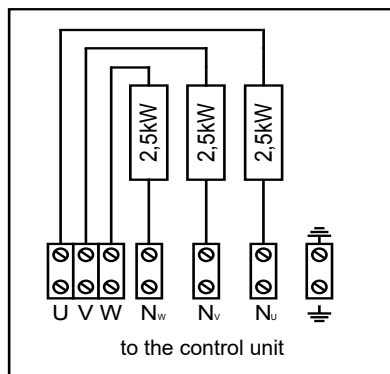
**CP-RMC-35**  
3.5 kW



**CP-RMC-45**  
4.5 kW



**CP-RMC-60**  
6.0 kW

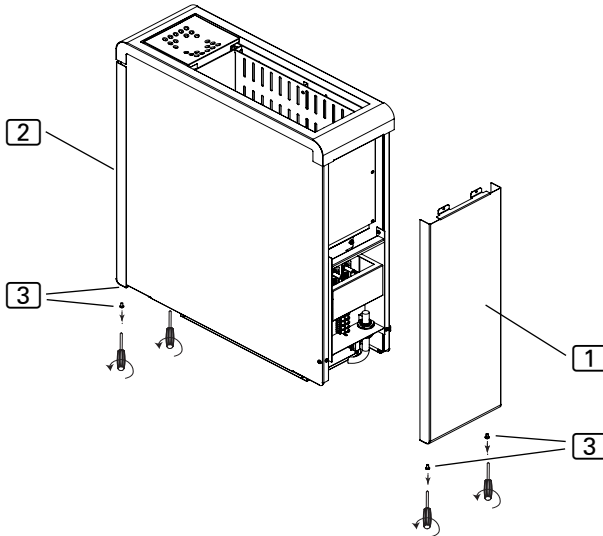


**CP-RMC-75**  
7.5 kW

## 4.8. Electrical connection

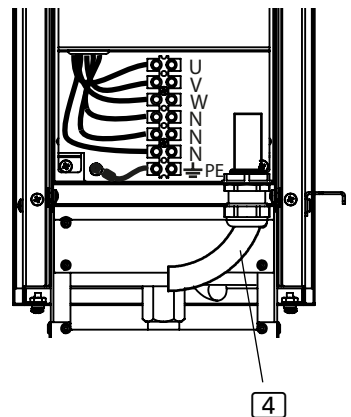
1. Unscrew the screws **3** with a screwdriver.
2. Remove the cover plates **1** and **2**.

**Fig. 10** Removing the cover plates

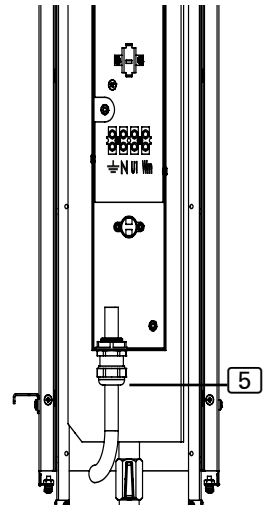


### **Connecting the Concept R mini combi 3.5 kW, 4.5 kW, 6.0 kW and 7.5 kW** (CP-RMC-35 / CP-RMC-45 / CR-RMC-60 / CP-RMC-75)

1. Guide the connection cable for the heating system through the feed-through **4**.
2. Connect the wires of the connection cable to the matching terminals of the sauna heater, depending on the type of connection, and to the matching control device terminals. Observe the installation instructions for the sauna control and the connection diagrams on page 16.



3. Guide the evaporator cable through the feed-through **5**.
4. Connect the wires of the evaporator cable to the PE – N – U1 – Wm terminals on the connector block and to the matching sauna control unit terminals. Observe the installation instructions for the sauna control unit when doing so.
5. Re-attach the cover plates **1** and **2** to the sauna heater or proceed with the installation of the heater railing (optional).



#### 4.9. Installing the heater railing (optional)

1. Remove the ceramic bowl from the evaporator.
2. Remove the cover plates **1** and **2** as described in **4.9** on page 18.

EN

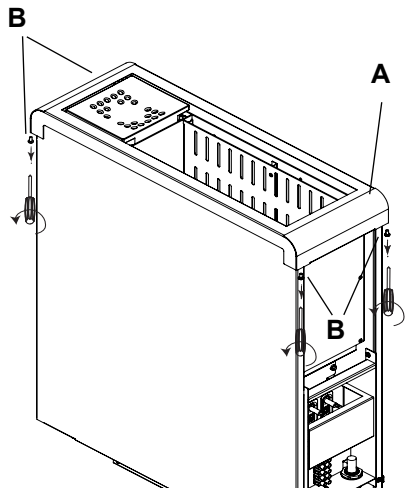
#### ATTENTION!

##### **Damage to the product**

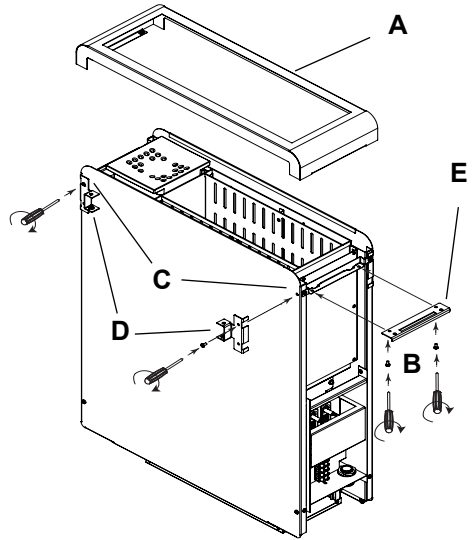
The product can be damaged by use of a cordless drill.

- Use a normal screwdriver to install the railing bracket.

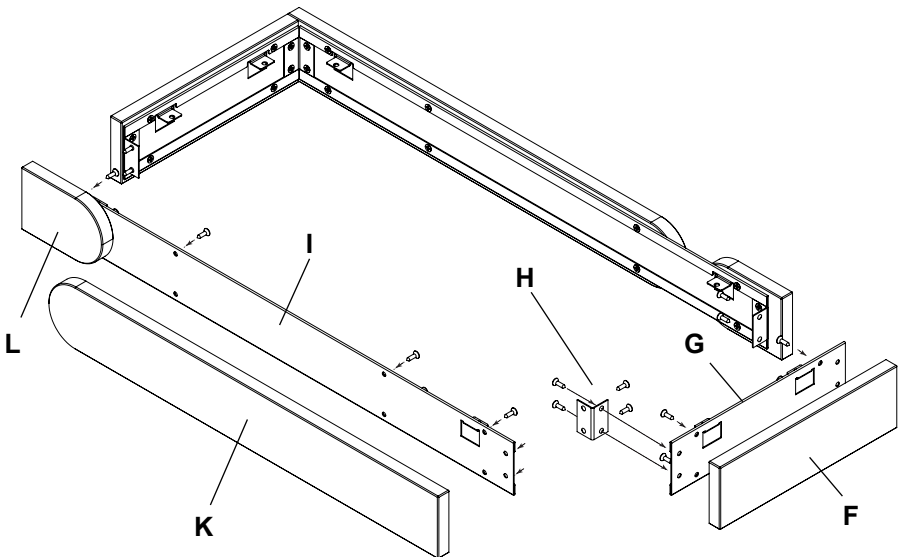
3. Unscrew the screws **B** and remove cover frame **A**.



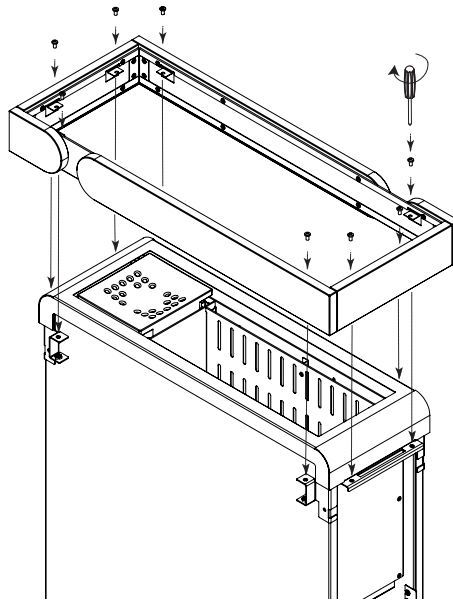
4. Unscrew the screws **C** and install with them the angle railing brackets **D**. Depending on the preferred form of the heater railing, you will need two or four angle railing brackets.
5. Install the railing bracket **E** with cover **A** using the previously removed screws **B**.



6. Depending on requirements, you can put together the heater railing in the shape of an L, U or O. To do this, use the wood screws provided.



7. Screw the side panel **F** of the wood railing flush with the side panel **G** of the bracket. If necessary, repeat this procedure on the opposite side.
8. Connect the side panel **G** of the bracket to the long bracket panel **I** with the help of the corner bracket **H**. If necessary, repeat this procedure on the opposite side.
9. Screw the long wooden railing panel **K** and the short wooden railing panel **L** to the bracket panel **I**. Make sure that it is flush with the side panel **F** of the wood railing.
10. Place the assembled heater railing on the railing bracket and affix it with the supplied rounded head screws. Thread the heater railing carefully over the cover to avoid scratching the surface.



## 5. Commissioning

### 5.1. Filling the stone container

**WARNING!*****Risk of fire due to overheating***

If the sauna heater is used without sauna stones, the cabin walls will become extremely hot. This could cause fires.

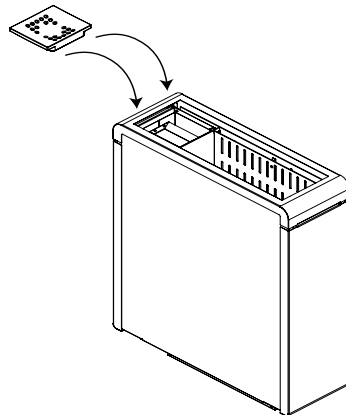
- NEVER operate the sauna heater without the sauna stones.

The amount of stones suited to your heater can be found in chapter **10. Technical data** (see page **31**).

1. Wash the stones thoroughly using water and a brush before use. Do not use any cleaning additives.
2. Before filling the heater with the sauna stones, check them for foreign objects and remove any remaining packaging.
3. Place the stones in the stone container. Place sauna stones loosely so that air can flow through the gaps.
4. Make sure that the sauna stones do not protrude beyond the edge of the stone container.

### 5.2. Inserting the ceramic bowl

- Place the ceramic bowl on the evaporator tank as shown in the illustration on the right.



### 5.3. Heating for the first time



#### CAUTION!

#### ***Formation of smoke and odours when heating up for the first time***

Materials used during the manufacturing process will be present on the new heating elements. These evaporate when the sauna heater is heated up for the first time. This produces smoke and an unpleasant odour. Breathing in the fumes or smoke can be harmful to your health.

Perform the following steps when **operating the sauna heater for the first time** and if the **heating elements for the sauna heater have been replaced**. This prevents damage to health due to the fumes and smoke produced when heating for the first time.

1. Heating the heating rods for the first time
  - a. Select the highest possible temperature on the sauna control unit.
  - b. Heat up the sauna heater for half an hour.  
**Do NOT remain in the sauna cabin during this period.**
2. Heating the evaporator for the first time
  - a. Select a low temperature and high humidity on the sauna control unit.
  - b. Heat up the evaporator with half the amount of water (see **Filling the evaporator** on page 26)  
**Do NOT remain in the sauna cabin during this period.**
  - c. Switch off the sauna control unit after approx. 15 minutes.
  - d. Allow the evaporator to cool (for approx. half an hour).
  - e. Empty the water tank (see **Filling the evaporator** on page 26)
  - f. Repeat step 2.b.
  - g. Allow the sauna cabin to ventilate thoroughly after heating for the first time.
  - h. If no smoke or odours form the next time the sauna heater is heated, you can start to use the sauna.  
If smoke or odours form again, leave the sauna cabin immediately, and repeat the initial heating process, followed by ventilation.

## 6. Operation

---

**WARNING!*****Risk of fire***

Combustible objects that are placed on the heater will ignite and cause fires.

- NEVER place combustible objects on the sauna heater.
  - Make sure that NO flammable objects have been placed on the heater before operating it.
- 

A sauna control unit is used to operate the sauna heater. For information on how to operate the sauna control unit, read the operating instructions for the device used. Please note that only sauna control units without remote start functions are suitable for use with the Concept R mini combi sauna heater.

### 6.1. Finnish sauna mode

In Finnish sauna mode, only the heating system operates. Dry heat is produced. The temperature in the room is high (80 to 100 °C). The maximum humidity level of 10% is low. The temperature in the sauna cabin is regulated by your sauna control unit.

At the end of the sauna session, you can pour water over the stones. Pour water over the stones using a sauna ladle. The water evaporates and the humidity in the sauna cabin increases.

When pouring water over the stones, observe the following points:

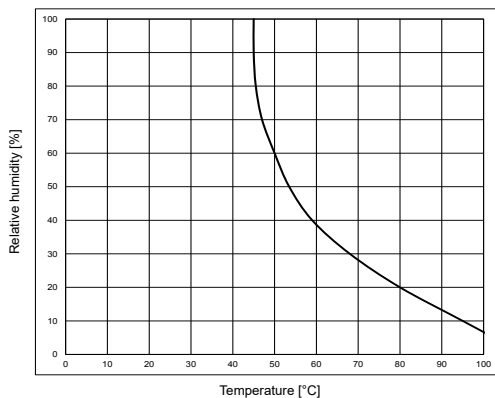
- Only use tap water. Sea water, hard water and chlorinated water can damage the sauna heater.
- Only use fragrances and essential oils that are suitable for use in saunas. Follow the manufacturer's instructions on the packaging of the scented substance.
- Do not pour the water onto the stones too quickly. Only this way will all the water evaporate completely.



## 6.2. Combi mode

Both the heating system and evaporator operate in combi mode. The temperature in the sauna cabin is lower than in Finnish sauna mode (approx. 40 to 65 °C), with the relative humidity being considerably higher at 35% to approximately 70%. The maximum permissible relative humidity decreases with increasing temperature. The temperature and the humidity in the sauna cabin are controlled by your sauna control unit.

**Fig. 11** Characteristic for temperature/relative humidity (compliant with EN 60335-2-53)



Only settings on the lower left side of the characteristic curve are possible; e.g.: at 60%, a temperature of 50 °C cannot be exceeded.

EN

The evaporator tank must be filled manually. If the water in the evaporator tank has been used up, an overheating protection function automatically turns off the heating of the evaporator. The lack of water is reported to the sauna control unit and displayed there, e.g. by an audible warning tone and the message "FILL".

### ATTENTION!

#### ***Damage to the evaporator***

Sea water, hard water, chlorinated water, herbs, essences or fragrances can damage the sauna heater.

- Only fill the evaporator tank with tap water.
- Do not put herbs, essences or fragrances directly into the evaporator tank, and only into the ceramic bowl over the evaporator.
- Descale the evaporator regularly (see **7.6 on page 29** on page).

## Filling the evaporator



### CAUTION!

#### *Risk of scalding*

If you pour water into the hot evaporator tank, hot steam is created.

- NEVER pour water into the hot evaporator tank.
- Check and fill the evaporator tank each time before starting combi mode.
- If the overheating protection has switched off evaporator heating, or if your sauna control unit reports a lack of water, allow the evaporator to cool down BEFORE you pour water into the evaporator tank.



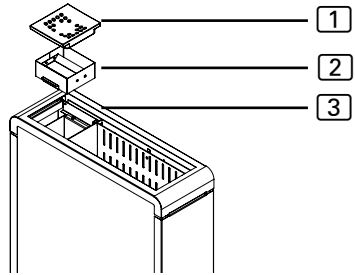
### CAUTION!

#### *Risk of scalding*

If the evaporator tank is too full, boiling water will spray out of the evaporator tank.

- Only fill the evaporator tank up to the maximum mark.

1. Remove the ceramic bowl **1** and the steam funnel **2**.
2. Place a receptacle (at least 5 litres) under the ball valve at the bottom of the evaporator.
3. Turn the ball valve to the left, until the remaining water flows out.
4. When the evaporator tank **3** is empty, close the ball valve.
5. Fill the evaporator tank **3** with fresh tap water up to the maximum mark. You will need about 5 litres of water for this. This amount of water allows the evaporator to be operated for approximately 1 hour.
6. Replace the ceramic bowl **1** and the steam funnel **2**.



### ***Using fragrances and herbs***

If you wish, you can put fragrances or dried herbs into the ceramic bowl. Observe the following points:

- Do not put fragrances directly into the evaporator tank.
- Carefully fill the ceramic bowl, so the fragrances do not drip into the evaporator tank through the holes in the ceramic bowl.
- Follow the manufacturer's instructions on the packaging of the herbs and fragrances.

## **7. Maintenance**

### **7.1. Extended periods of non-use**

Moisture can accumulate in the heating rods in humid ambient conditions or during long periods of non-use. This is a physical process and not a manufacturing fault. Accumulation of moisture in the heating rods can lead to the FI circuit breaker being triggered. In this case, contact an electrician to correct the fault (see chapter 9. **Problem-solving by the installer**).



---

Heat the sauna heater for approximately 15 minutes every 5 to 6 weeks. This prevents moisture from building up on the heating rods during extended periods of non-use.

---

### **7.2. Cleaning the sauna heater**

Make sure that the ventilation openings are free of lint and dust. This prevents the air circulation in the sauna heater from being restricted and prevents the device from overheating.

### 7.3. Changing the sauna stones

Sauna stones are subject to stress by the water poured on them, and by large fluctuations in temperature which occur during use. The sauna stones can become weak and brittle.

Check the sauna stones at regular intervals and replace the stones at least once a year.

**WARNING!*****Risk of fire due to overheating***

If the sauna heater is used without sauna stones, the cabin walls will become extremely hot. This could cause fires.

- NEVER operate the sauna heater without the sauna stones.

- 
1. Remove the old sauna stones.
  2. Clear the stone container of limescale deposits, dust and other contamination.
  3. Wash the stones thoroughly using water and a brush before use. Do not use any cleaning additives.
  4. Before filling the heater with the sauna stones, check them for foreign objects and remove any remaining packaging.
  5. Place the stones in the stone container. Place sauna stones loosely so that air can flow through the gaps.
  6. Make sure that the sauna stones do not protrude beyond the edge of the stone container.

### 7.4. Cleaning the evaporator tank

Drain and clean the evaporator tank after each use. Perform the following steps:

1. Wait until the water in the evaporator has cooled.
2. Place a receptacle under the ball valve at the bottom of the evaporator.
3. Turn the ball valve to the left, until the remaining water flows out.
4. When the evaporator tank is empty, close the ball valve.

5. Remove the ceramic bowl and the steam funnel.
6. Clean the evaporator tank and the steam funnel with a household brush with plastic bristles. Rinse with water.
7. Put the ceramic bowl and the steam funnel back in.

## 7.5. Cleaning the ceramic bowl

Clean the ceramic bowl for herbs and essences in the dishwasher as required.

## 7.6. Descaling the evaporator tank

Descale the evaporator tank as required. To do this, use a descaling agent for household appliances. Observe the specifications and safety information provided by the manufacturer.

1. Prepare the descaling solution according to the manufacturer's instructions.
2. Fill the evaporator with the descaling solution up to the maximum mark.
3. Allow the descaling solution to boil for 10 minutes.
4. Wait until the descaling solution in the evaporator has cooled.
5. Place a receptacle under the ball valve at the bottom of the evaporator and drain the evaporator tank.
6. Rinse the evaporator tank twice with tap water.

EN

## 8. Disposal



- Please dispose of packaging materials in accordance with the applicable disposal regulations.
- Used appliances contain reusable materials as well as hazardous substances. Therefore, do not dispose of your used appliance with household waste, but do so in accordance with the locally applicable regulations.

## 9. Problem-solving by the installer

### ***Baking out of the heating rods***

Moisture can accumulate in the heating rods in humid ambient conditions or during long periods of non-use. This is a physical process and not a manufacturing fault. Under certain circumstances, accumulation of moisture in the heating rods can lead to the FI circuit breaker being triggered.

In this case, it is necessary to bake out the sauna heater under the supervision of an electrician. To do this, the protective function of the FI circuit breaker must be switched off. The baking out procedure takes approximately 10 minutes. The safety function of the FI circuit breaker must subsequently be reactivated.

If the problem persists, consult your supplier.

### **Resetting the overheat cut-out of the evaporator**

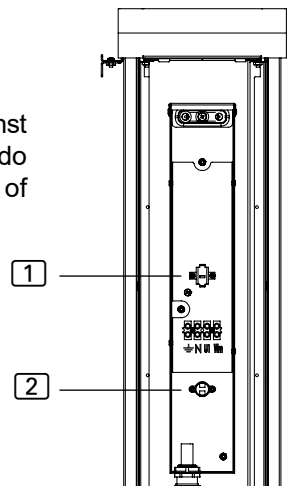
The temperature switch **2** is responsible for the water shortage detection function.

If a certain water level in the evaporator tank is not complied with (approx. 1 l), this temperature switch switches off the heating element. At the same time, the feedback to the WM control unit falls to 0 V – the control unit displays the message “FILL”.

The temperature cut-out **1** is used as protection against overheating. This cut-out must be reset manually. To do so, press the protruding metal contact in the middle of the temperature cut-out

**1** temperature cut-out 150 °C (no automatic reset)

**2** automatic reset temperature switch 110 °C



## 10. Technical data

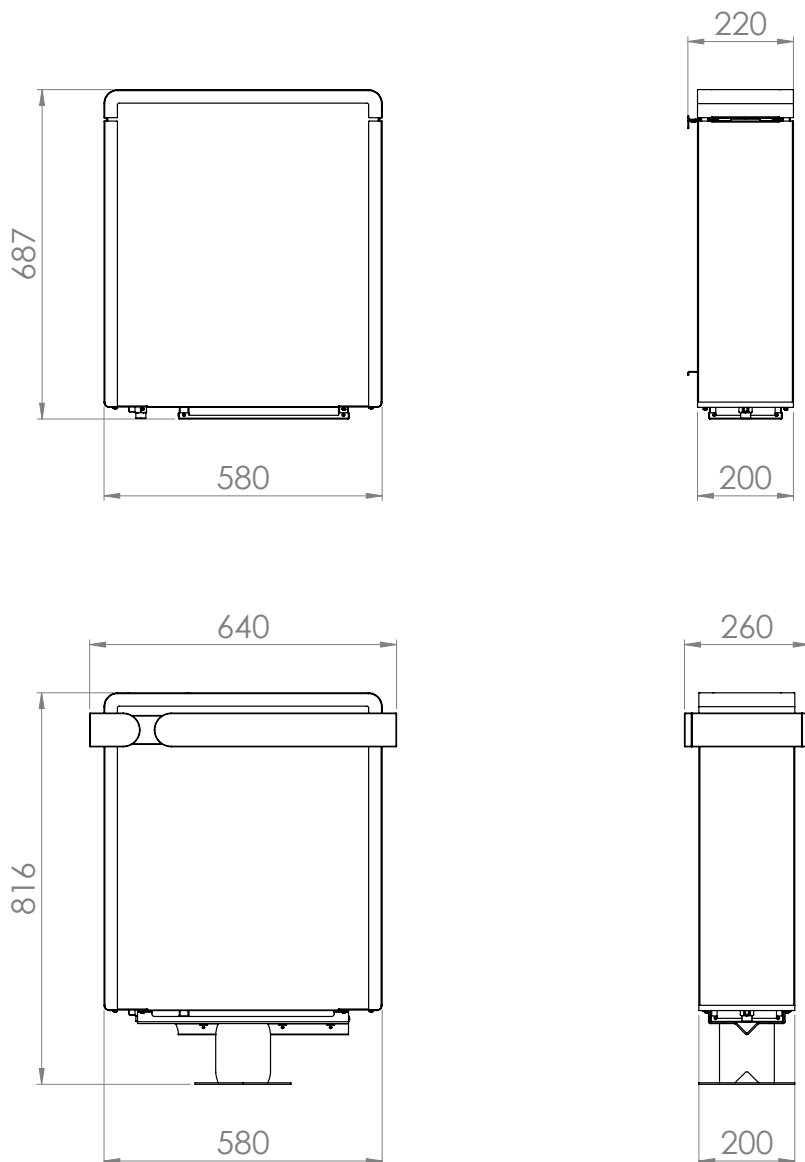
The dimensions can be found in **Fig. 13**.

<i>Item number</i>	<i>Power rating [kW]</i>	<i>Power rating of the evaporator [kW]</i>	<i>Cabin volume [m<sup>3</sup>]</i>	<i>Amount of stones [kg]</i>	<i>Weight without stones [kg]</i>
CP-RMC-35	3.5	1.0	3 - 5	approx. 15	29.5
CP-RMC-45	4.5	1.0	4 - 6	approx. 15	29.5
CP-RMC-60	6.0	1.0	5 - 8	approx. 15	29.5
CP-RMC-75	7.5	1.5	7 - 11	approx. 15	29.5

<i>Item number</i>	<i>Minimum size of ventilation opening [mm]</i>	<i>Fuse [A]</i>	<i>Supply voltage</i>
CP-RMC-35	350 x 20	3 x 10	400 V AC 3N~ 50/60 Hz 230 V AC 1N~ 50/60 Hz
CP-RMC-45	350 x 25	3 x 10	400 V AC 3N~ 50/60 Hz 230 V AC 1N~ 50/60 Hz
CP-RMC-60	350 x 30	3 x 10	400 V AC 3N~ 50/60 Hz 230 V AC 1N~ 50/60 Hz
CP-RMC-75	350 x 35	3 x 16	400 V AC 3N~ 50/60 Hz 230 V AC 1N~ 50/60 Hz

<i>Item number</i>	<i>Heating elements</i>	<i>Evaporator Heating elements</i>
CP-RMC-35	3 x CPRM115 (1-043-621)	1 x 1-052-801
CP-RMC-45	3 x SCA150 (1-028-518)	
CP-RMC-60	3 x SCA200 (1-028-503)	
CP-RMC-75	3 x CPRM250 (1-042-346)	1 x 1-052-800

**Fig. 12** Dimensions of the Concept R mini combi 3.5 kW, 4.5 kW, 6.0 kW and 7.5 kW  
 (CP-RMC-35 / CP-RMC-45 / CR-RMC-60 / CP-RMC-75)  
 Dimensions in mm





# Saunaofen

## Concept R mini combi

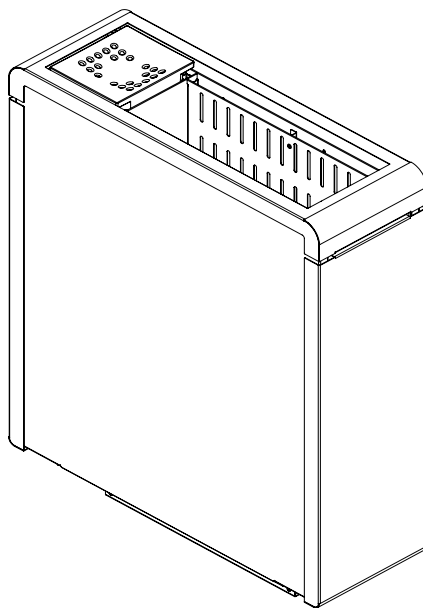
CP-RMC-35 / 1-041-405: Concept R mini combi 3,5 kW

CP-RMC-45 / 1-041-406: Concept R mini combi 4,5 kW

CP-RMC-60 / 1-041-407: Concept R mini combi 6,0 kW

CP-RMC-75 / 1-041-408: Concept R mini combi 7,5 kW

### MONTAGE- UND GEBRAUCHSANWEISUNG Deutsch



DE

# Inhaltsverzeichnis

<b>1. Zu dieser Anleitung</b>	<b>4</b>
<b>2. Wichtige Hinweise zu Ihrer Sicherheit</b>	<b>5</b>
2.1. Bestimmungsgemäßer Gebrauch	5
2.2. Sicherheitshinweise für den Monteur	5
2.3. Sicherheitshinweise für den Anwender	7
<b>3. Produktbeschreibung</b>	<b>9</b>
3.1. Lieferumfang	9
3.2. Zubehör	9
3.3. Produktfunktionen	9
<b>4. Montage und Anschluss</b>	<b>10</b>
4.1. Aufstellort und Fühlerposition	10
4.2. Sicherheitsabstände	11
4.3. Montage an der Kabinenwand	12
4.4. Montage mit Standfuß (optional)	14
4.5. Anschlussplan für 400V 3N~	16
4.6. Anschlussplan für 230V 1N~	17
4.7. Verdrahtungsschemen	18
4.8. Elektrischer Anschluss	19
4.9. Montage Ofenreling (optional)	20
<b>5. Inbetriebnahme</b>	<b>23</b>
5.1. Steinebehälter füllen	23
5.2. Keramischale einsetzen	23
5.3. Erstmaliges Aufheizen	24

<b>6. Bedienung</b>	<b>25</b>
6.1. Finnischer Saunabetrieb.....	25
6.2. Kombi-Betrieb.....	26
<b>7. Wartung</b>	<b>28</b>
7.1. Längere Betriebspausen.....	28
7.2. Saunaofen reinigen.....	28
7.3. Saunasteine wechseln.....	29
7.4. Verdampferbehälter reinigen .....	29
7.5. Keramikschale reinigen.....	30
7.6. Verdampferbehälter entkalken.....	30
<b>8. Entsorgung</b>	<b>30</b>
<b>9. Problemlösung durch den Monteur</b>	<b>31</b>
<b>10. Technische Daten</b>	<b>32</b>

# 1. Zu dieser Anleitung

Lesen Sie diese Montage- und Gebrauchsanweisung gut durch und bewahren Sie sie in der Nähe der Sauna auf. So können Sie jederzeit Informationen zu Ihrer Sicherheit und zur Bedienung nachlesen.



Sie finden diese Montage- und Gebrauchsanweisung auch im Downloadbereich unserer Webseite auf [www.sentiotec.com/downloads](http://www.sentiotec.com/downloads).

## **Symbole in Warnhinweisen**

In dieser Montage- und Gebrauchsanweisung ist vor Tätigkeiten, von denen eine Gefahr ausgeht, ein Warnhinweis angebracht. Befolgen Sie diese Warnhinweise unbedingt. So vermeiden Sie Sachschäden und Verletzungen, die im schlimmsten Fall sogar tödlich sein können.

In den Warnhinweisen werden Signalwörter verwendet, die folgende Bedeutungen haben:



### **GEFAHR!**

Wenn Sie diesen Warnhinweis nicht beachten, sind Tod oder schwere Verletzungen die Folge.



### **WARNUNG!**

Wenn Sie diesen Warnhinweis nicht beachten, können Tod oder schwere Verletzungen die Folge sein.



### **VORSICHT!**

Wenn Sie diesen Warnhinweis nicht befolgen, können leichte Verletzungen die Folge sein.

## **ACHTUNG!**

Dieses Signalwort warnt Sie vor Sachschäden.

## **Andere Symbole**



Dieses Symbol kennzeichnet Tipps und nützliche Hinweise.



Nicht abdecken!



Bedienungsanleitung lesen

## 2. Wichtige Hinweise zu Ihrer Sicherheit

Der Saunaofen Concept R mini combi ist nach anerkannten sicherheitstechnischen Regeln gebaut. Dennoch können bei der Verwendung Gefahren entstehen. Befolgen Sie deshalb die folgenden Sicherheitshinweise und die speziellen Warnhinweise in den einzelnen Kapiteln.

### 2.1. Bestimmungsgemäßer Gebrauch

Der Concept R mini combi ist ein Saunaofen mit integriertem Verdampfer. Der Concept R mini combi darf nur zur Erwärmung von Saunakabinen und zur Erhöhung der Luftfeuchtigkeit in der Saunakabine verwendet werden. Der Concept R mini combi darf nur in Kombination mit einer Saunasteuerung ohne Fernstartfunktion verwendet werden.

Jeder darüber hinausgehende Gebrauch gilt als nicht bestimmungsgemäß. Nicht bestimmungsgemäßer Gebrauch kann zur Beschädigung des Produkts, zu schweren Verletzungen oder Tod führen.

DE

### 2.2. Sicherheitshinweise für den Monteur

- Montage- und Anschlussarbeiten am Saunaofen dürfen nur im spannungsfreien Zustand durchgeführt werden.
- Die Montage darf nur durch eine Elektrofachkraft oder eine vergleichsweise qualifizierte Person ausgeführt werden.
- Es ist bauseits eine allpolige Trennvorrichtung mit voller Abschaltung entsprechend der Überspannungskategorie III vorzusehen.
- Verwenden Sie zum Anschluss des Saunaofens ausschließlich bis 150 °C temperaturbeständige Silikonleitungen.
- Installieren Sie nur einen Saunaofen in der Kabine. Der Saunaofen Concept R mini combi darf nicht gemeinsam mit anderen Saunanöfen in einer Saunakabine verwendet werden.

- Decken und Wände der Saunakabine sind aus harzarmen, unbehandelten oder thermisch behandelten Hölzern, z.B. nordischer Fichte, Hemlock, Kiefer oder Tanne, oder aus Holzlagen-Werkstoffen herzustellen. Bei Verwendung von Holzlagen-Werkstoffen ist darauf zu achten, dass deren Klebstoffe kein Formaldehyd abgeben. Werden andere Werkstoffe als Holz in der Saunakabine eingesetzt, müssen diese Materialien hitze- und korrosionsbeständig sein und dürfen keine negativen Auswirkungen auf die Gesundheit der Saunagäste haben.
- Die Höhe der Saunakabine muss mindestens 1,64 m betragen.
- Beachten Sie die Vorgaben zum Volumen und zur Belüftung der Saunakabine in Kapitel **10. Technische Daten**.
- Beachten Sie beim Aufstellen des Saunofens die minimalen Sicherheitsabstände (siehe Kapitel **4.2. Sicherheitsabstände**).
- Beachten Sie auch die örtlichen Bestimmungen am Aufstellort.
- Bei Problemen, die in den Montageanweisungen nicht ausführlich genug behandelt werden, wenden Sie sich zu Ihrer eigenen Sicherheit an Ihren Lieferanten.

### **2.3. Sicherheitshinweise für den Anwender**

- Das Gerät darf nicht von Kindern unter 8 Jahren verwendet werden.
- Das Gerät darf von Kindern über 8 Jahren, von Personen mit verringerten psychischen, sensorischen oder mentalen Fähigkeiten und von Personen mit Mangel an Erfahrung und Wissen unter folgenden Bedingungen verwendet werden:
  - wenn sie beaufsichtigt werden.
  - wenn ihnen die sichere Verwendung gezeigt wurde und sie die Gefahren, die entstehen können, verstehen.

- Kinder dürfen nicht mit dem Gerät spielen.
- Kinder unter 14 Jahren dürfen das Gerät nur reinigen, wenn sie beaufsichtigt werden.
- Wenn Sie unter dem Einfluss von Alkohol, Medikamenten oder Drogen stehen, verzichten Sie aus gesundheitlichen Gründen auf das Saunabad.
- Nehmen Sie den Saunaofen niemals ohne Saunasteine in Betrieb, da dies Brände verursachen kann.
- Stellen Sie sicher, dass keine brennbaren Gegenstände auf dem Saunaofen liegen, bevor Sie die Saunasteuerung einschalten.
- Heizen Sie VOR dem ersten Saunabad den Saunaofen für eine halbe Stunde auf. Halten Sie sich während dieser Zeit NICHT in der Saunkabine auf. Lüften Sie anschließend die Saunakabine gut durch (siehe **5.3. Erstmaliges Aufheizen** auf Seite **23**).
- Berühren Sie niemals den Saunaofen während des Betriebs. Die Oberfläche des Saunaofens und die Saunasteine werden sehr heiß.
- Gießen Sie NIEMALS Wasser in den heißen Verdampferbehälter. Kontrollieren und befüllen Sie den Verdampferbehälter jedesmal bevor Sie den Kombi-Betrieb starten. Wenn der Überhitzungsschutz die Heizung des Verdampfers abgeschaltet hat oder Ihre Saunasteuerung einen Wassermangel meldet, lassen Sie den Verdampfer abkühlen BEVOR Sie Wasser in den Verdampferbehälter gießen.
- Bei Problemen, die in der Gebrauchsanweisung nicht ausführlich genug behandelt werden, wenden Sie sich zu Ihrer eigenen Sicherheit an Ihren Lieferanten.

## 3. Produktbeschreibung

### 3.1. Lieferumfang

- Saunaofen
- Montage- und Gebrauchsanweisung

### 3.2. Zubehör

<i>Zubehör</i>	<i>Artikelnummer</i>
Halterungsset für Ofenreling Concept R mini combi	CP-RMC-HSR / 1-041-410
Holzreling Concept R mini combi Linde	CP-RMC-L / 1-041-412
Holzreling Concept R mini combi Nuss	CP-RMC-N / 1-041-411
Standfuß Concept R mini combi	CP-RMC-SF / 1-041-409
Abdeckung Standfuß Concept R mini Linde	CP-RM-CSF-L / 1-041-482
Abdeckung Standfuß Concept R mini Nuss	CP-RM-CSF-N / 1-041-483

### 3.3. Produktfunktionen

- **Finnischer Saunabetrieb:** üblicherweise 80 bis 100 °C; ca. 10 % rel. Luftfeuchte
- **Kombi-Betrieb** (nur in Kombination mit einer Kombi-Steuerung): ca. 40 bis 65° C, 35 % bis ca. 70 % Luftfeuchte. Die maximal zulässige Luftfeuchte sinkt mit steigender Temperatur.

Wenn Sie es wünschen, können Sie im Kombi-Betrieb Duftstoffe oder getrocknete Kräuter in die Keramikschale über dem Verdampfer geben. Der aufsteigende Dampf löst ätherische Öle aus den Kräutern bzw. verteilt die Duftstoffe in der Saunakabine.



## 4. Montage und Anschluss

Berücksichtigen Sie folgende Punkte beim Aufstellen und beim Anschluss des Saunaofens:



### **WARNUNG!**

#### ***Stromschlag-Gefahr***

- Führen Sie Montage- und Anschlussarbeiten am Saunaofen nur im spannungsfreien Zustand durch.

- Der elektrische Anschluss darf nur durch eine Elektrofachkraft oder eine vergleichsweise qualifizierte Person ausgeführt werden.
- Es ist bauseits eine allpolige Trennvorrichtung mit voller Abschaltung entsprechend der Überspannungskategorie III vorzusehen.
- Der Saunaofen Concept R mini combi ist als Wandofen und als Standofen einsetzbar. Bei Wandmontage ist der feste Sitz des Ofens auf der Montageleiste vor der Inbetriebnahme zu überprüfen. Bei Montage mit Standfuß ist der feste Stand zu überprüfen.

### 4.1. Aufstellort und Fühlerposition

Montieren Sie den Ofen mittig vor die Lufteintrittsöffnung an der Kabinenwand. Halten Sie dabei die in **Abb.1** angegebenen Sicherheitsabstände zur Kabinenwand ein.

Montieren Sie den Temperaturfühler mit Übertemperatur-Sicherung an der Kabinenwand oberhalb der Mitte des Saunaofens. Halten Sie einen Abstand von 15 cm zur Kabinendecke ein.

## 4.2. Sicherheitsabstände

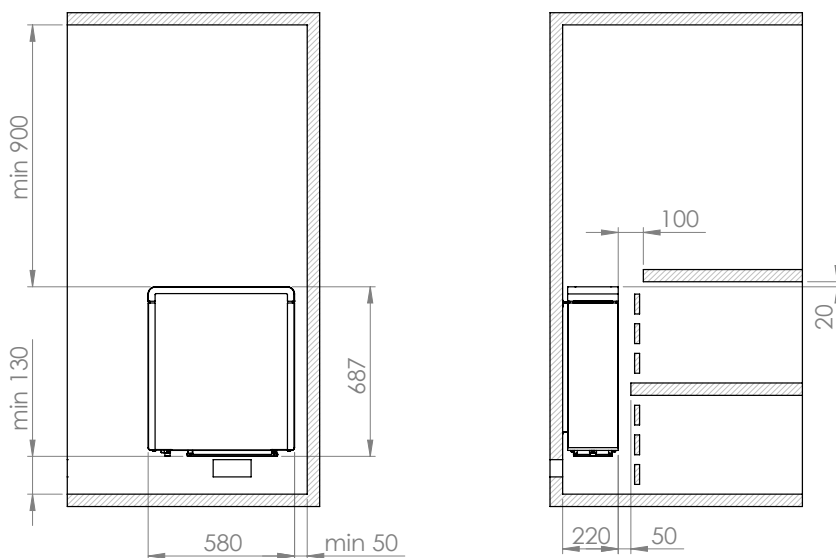
Beachten Sie die in der **Abb.1** angegebenen minimalen Sicherheitsabstände.

### Abb.1 Sicherheitsabstände

Concept R mini combi 3,5 kW, 4,5 kW, 6,0 kW und 7,5 kW

(CP-RMC-35 / CP-RMC-45 / CR-RMC-60 / CP-RMC-75)

Maße in mm



### 4.3. Montage an der Kabinenwand

Beachten Sie die **Abb. 1**, **Abb. 2**, **Abb. 3** und **Abb. 4** (Seite **11**, **12**, **13**).

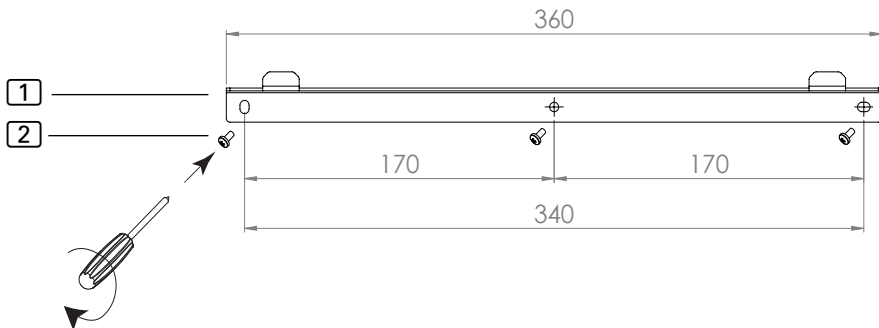
1. Befestigen Sie die Montageleiste **1** waagrecht mit den beiliegenden Holzschrauben **2** an der Wand. Beachten Sie dabei die Mindestabstände des Ofens in Abb. 1.
2. Hängen Sie den Ofen **3** von oben nach unten an der Montageleiste ein. Achten Sie dabei auf den bündigen Sitz des Ofens.
3. Sichern Sie den Ofen **3** mittels beiliegender Sicherungsschraube **4** auf der Montageleiste **1**.



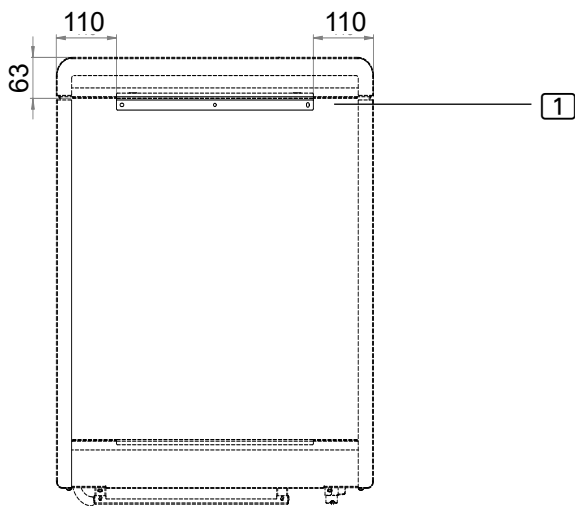
#### **WARNUNG!** **Brandgefahr**

- Um den Ofen zu fixieren und gegen Verrutschen zu sichern, befestigen Sie diesen mit der beiliegenden Sicherungsschraube **4**.

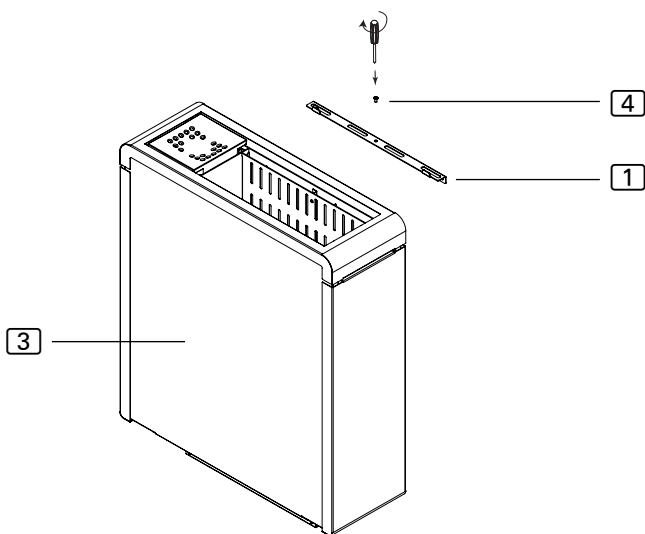
**Abb.2** Montageleiste Concept R mini combi  
Maße in mm



**Abb.3** Position der Montageleiste Concept R mini combi  
Maße in mm



**Abb.4** Sicherung Concept R mini combi (Montageleiste)



#### 4.4. Montage mit Standfuß (optional)

Beachten Sie die **Abb.1**, **Abb.5**, **Abb.6** (Seite **10**, **13**, **14**).

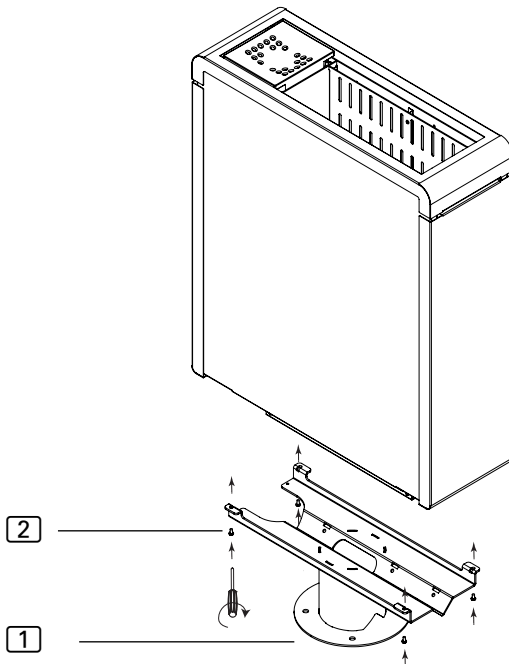
1. Befestigen Sie den Standfuß **1** mit den beiliegenden Schrauben **2** auf die Unterseite des Ofens. Beachten Sie dabei, dass die runde Ausnehmung auf der Verdampferseite ist.
2. Fixieren Sie den Standfuß mit den beiliegenden Schrauben am Boden (**Abb.6**). Verwenden Sie je nach Bodenbeschaffenheit die beiliegenden Holzschrauben oder die Dübel mit den dazugehörigen Schrauben. Beachten Sie dabei die Mindestabstände des Ofens in **Abb.1**.

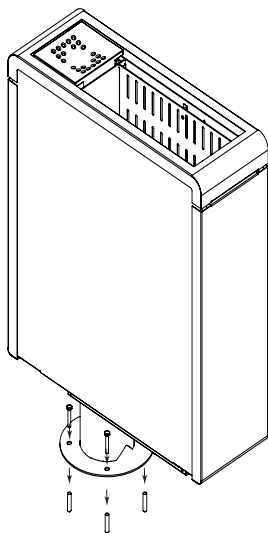
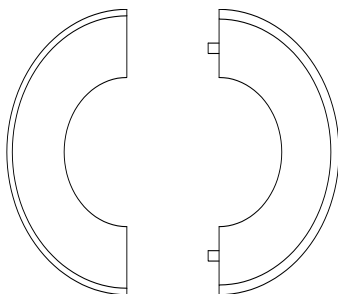


#### **WARNUNG!** **Brandgefahr**

- Fixieren Sie den Ofen mit Standfuß direkt auf ausreichend festen Untergrund, z. Bsp. auf dem Untergrund auf dem die Saunakabine aufgebaut ist - NICHT auf dem Einlegeboden der Sauna.

**Abb.5** Montage Standfuß auf Concept R mini combi

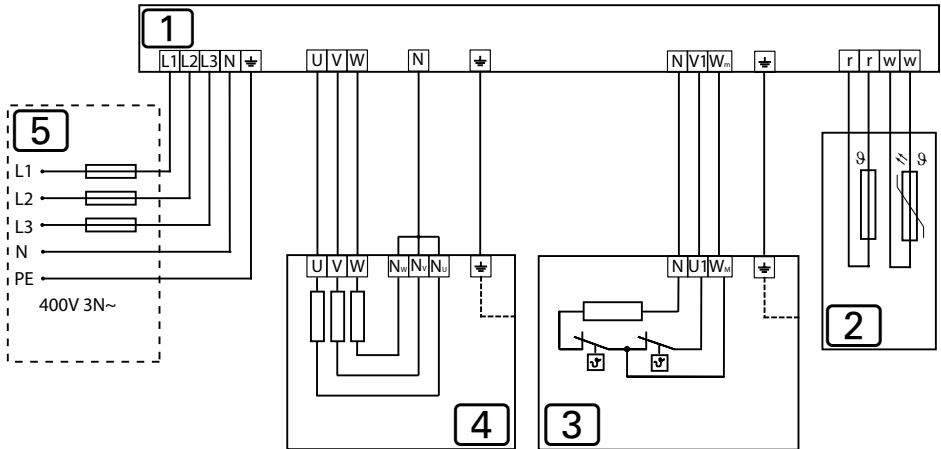


**Abb.6** Fixierung Concept R mini combi mit Standfuß**Abb.7** Montage der Holzabdeckung für den Standfuß (optional)

Zur Abdeckung der Schrauben des Standfußes legen Sie die beiden Hälften des Abdeckringes um den Standfuß und drücken diese fest zusammen.

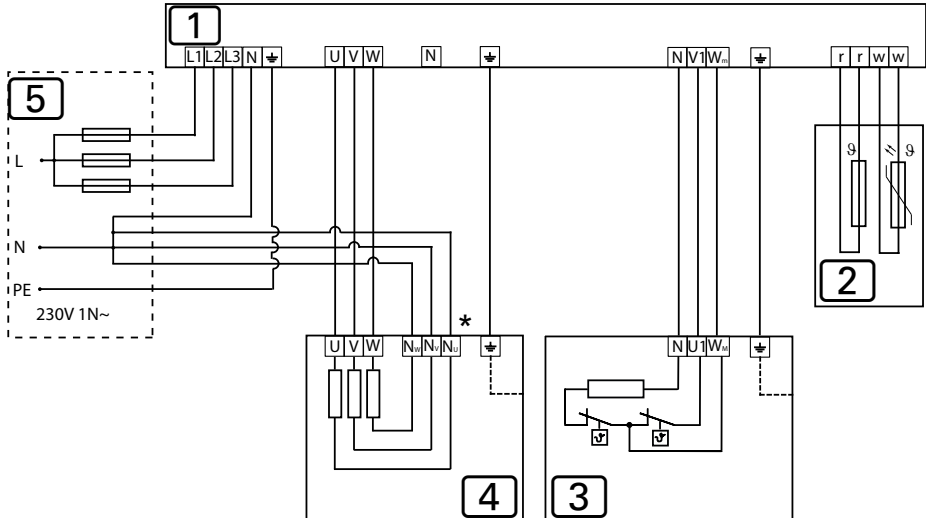
### 4.5. Anschlussplan für 400V 3N~

**Abb.8** Anschlussplan Concept R mini combi  
 3,5 kW, 4,5 kW, 6,0 kW und 7,5 kW  
 (CP-RMC-35 / CPC-RM-45 / CR-RMC-60 / CP-RMC-75)



## 4.6. Anschlussplan für 230V 1N~

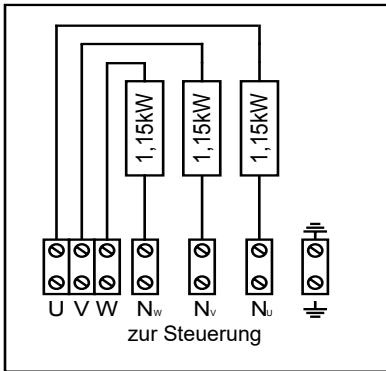
**Abb.9** Anschlussplan Concept R mini combi  
3,5 kW, 4,5 kW, 6,0 kW und 7,5 kW  
(CP-RMC-35 / CPC-RM-45 / CR-RMC-60 / CP-RMC-75)



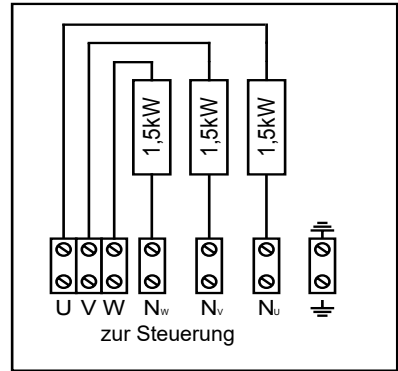
- 1 Saunasteuerung
  - 2 Temperaturfühler mit Übertemperatur-Sicherung
  - 3 Verdampfer 1,0 kW oder 1,5 kW
  - 4 Heizsystem 3,45 kW, 4,5 kW, 6,0 kW oder 7,5 kW
  - 5 Stromversorgung
- \* Kupfer-Brücke entfernen



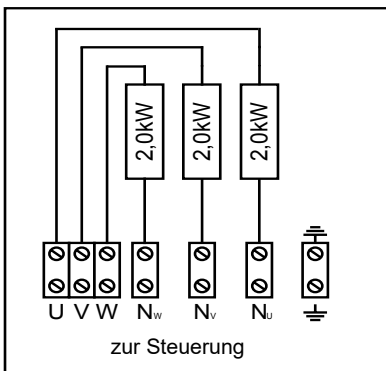
## 4.7. Verdrahtungsschemen



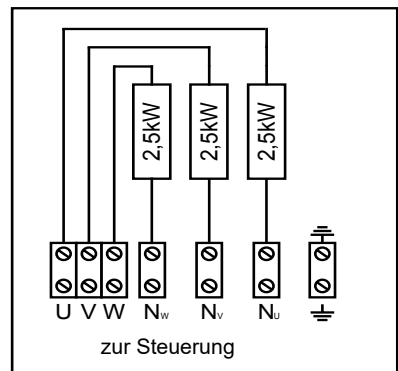
**CP-RMC-35**  
3,5 kW



**CP-RMC-45**  
4,5 kW



**CP-RMC-60**  
6,0 kW

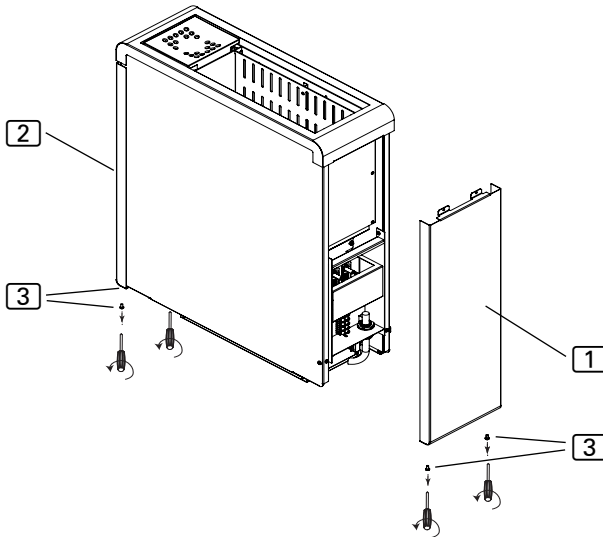


**CP-RMC-75**  
7,5 kW

## 4.8. Elektrischer Anschluss

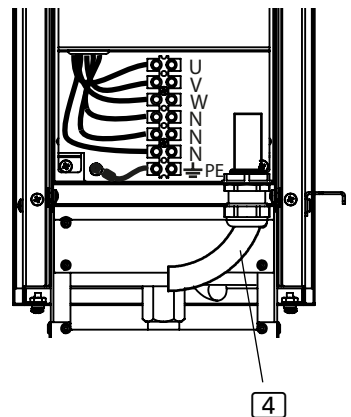
1. Lösen Sie die Schrauben **3** mit einem Schraubendreher.
2. Entfernen Sie die Abdeckbleche **1** und **2**.

**Abb.10** Abdeckbleche entfernen

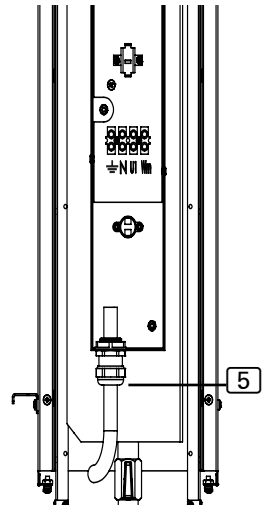


### **Anschluss Concept R mini combi 3,5 kW, 4,5 kW, 6,0 kW und 7,5 kW** (CP-RMC-35 / CP-RMC-45 / CR-RMC-60 / CP-RMC-75)

1. Führen Sie das Anschlusskabel für das Heizsystem durch die Durchführung **4**.
2. Schließen Sie die Adern des Anschlusskabels an die passenden Klemmen des Saunaofens, je nach Anschlussart, und an den passenden Klemmen der Saunasteuerung an. Beachten Sie dabei die Montageanleitung der Saunasteuerung und die Anschlusspläne auf Seite 16.



3. Führen Sie das Verdampferkabel durch die Durchführung **5**.
4. Schließen Sie die Adern des Verdampferkabels an den Klemmen PE – N – U1 – Wm an der Anschlussleiste und an den passenden Klemmen der Saunasteuerung an. Beachten Sie dabei die Montageanleitung der Saunasteuerung.
5. Befestigen Sie die Abdeckbleche **1** und **2** wieder am Saunaofen oder fahren Sie mit der Montage der Ofenreling (optional) fort.



#### 4.9. Montage Ofenreling (optional)

1. Entfernen Sie beim Verdampfer die Keramikschale.
2. Entfernen Sie die Abdeckbleche **1** und **2** wie unter **4.9 auf Seite 18** beschrieben.

#### ACHTUNG!

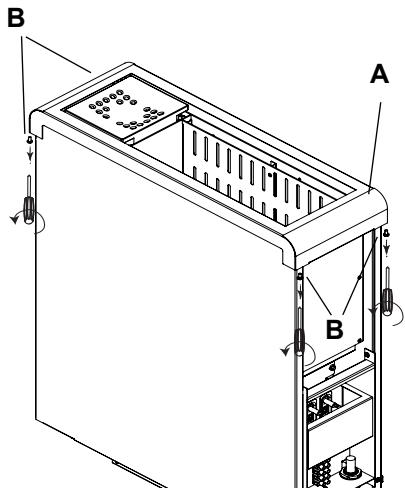
##### **Sachschäden am Produkt**

Bei der Verwendung von Akkuschraubern kann das Produkt beschädigt werden.

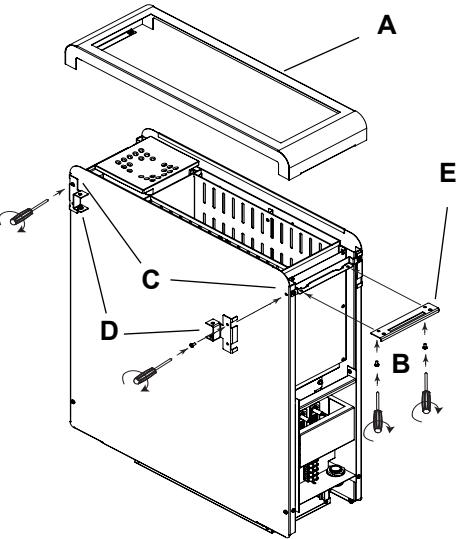
- Montieren Sie die Relinghalterung mit einem normalen Schraubendreher.

DE

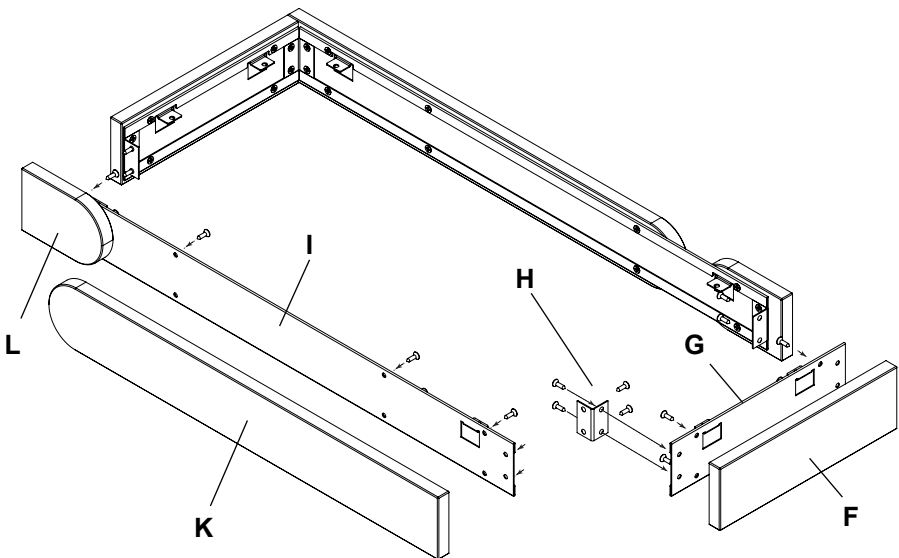
3. Lösen Sie die Schrauben **B** und entfernen Sie den Abdeckrahmen **A**.



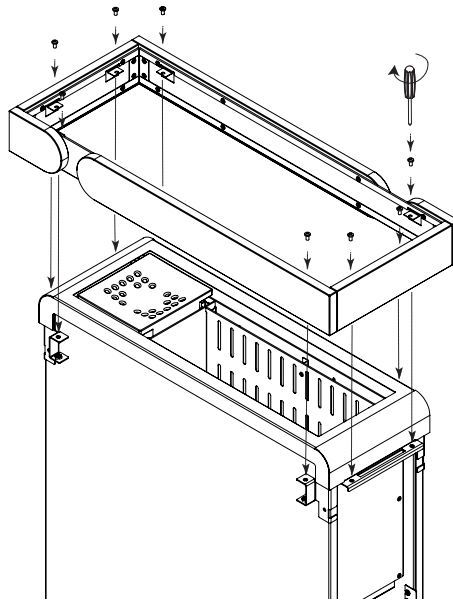
4. Lösen Sie die Schrauben **C** und montieren Sie damit die Winkel-Relinghalterungen **D**. Je nach gewünschter Form der Ofenreling benötigen Sie zwei oder vier Stück der Winkel-Relinghalterungen.
5. Montieren Sie die Relinghalterung **E** mit der Abdeckung **A** - verwenden Sie dazu die zuvor gelösten Schrauben **B**.



6. Die Ofen-Reling können Sie je nach Erfordernis in L-, U- oder O-Form zusammensetzen. Verwenden Sie dafür die beiliegenden Holzschrauben.



7. Schrauben Sie die Holz-Reling-Seitenblende **F** bündig auf die Halterungs-Seitenblende **G**. Wenn erforderlich wiederholen Sie dies für die gegenüberliegende Seite.
8. Verbinden Sie die Halterungs-Seitenblende **G** mit Hilfe des Eckwinkels **H** mit der langen Halterungsblende **I**. Wenn erforderlich wiederholen Sie dies für die gegenüberliegende Seite.
9. Schrauben Sie die Holz-Relingblende lang **K** und die Holz-Relingblende kurz **L** auf die Halterungsblende **I**. Achten Sie dabei auf die Bündigkeit mit der Holz-Reling-Seitenblende **F**.
10. Setzen Sie die fertig montierte Ofenreling auf die Relinghalterung und fixieren sie diese mit den beiliegenden Linsenschrauben. Fädeln Sie die Ofenreling vorsichtig über die Abdeckung, um Verkratzungen der Oberfläche zu vermeiden.



## 5. Inbetriebnahme

### 5.1. Steinebehälter füllen

**WARNUNG!*****Brandgefahr durch Überhitzung***

Wird der Saunaofen ohne Saunasteine verwendet, erhitzen sich die Kabinenwände stark. Dadurch können Brände verursacht werden.

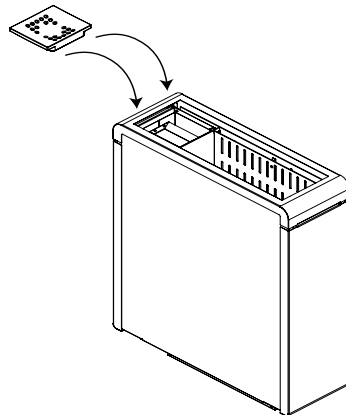
- Nehmen Sie den Saunaofen NIEMALS ohne Saunasteine in Betrieb.

Die für Ihren Ofen passende Steinmenge finden Sie im Kapitel **10. Technische Daten** (siehe Seite **31**).

1. Waschen Sie die Saunasteine vor der Verwendung gründlich mit Bürste und Wasser. Verwenden Sie keine Reinigungszusätze.
2. Prüfen Sie die Steine vor dem Einfüllen in den Saunaofen auf Fremdkörper und entfernen Sie Verpackungsreste.
3. Legen Sie die Saunasteine in den Steinbehälter. Schichten Sie die Saunasteine locker, damit Luft durch die Zwischenräume strömen kann.
4. Achten Sie darauf, dass die Saunasteine nicht über den Rand des Steinbehälters ragen.

### 5.2. Keramikschale einsetzen

- Setzen Sie die Keramikschale auf den Verdampferbehälter - wie in der Abbildung rechts gezeigt.



### 5.3. Erstmaliges Aufheizen



#### **VORSICHT!**

#### ***Rauch- und Geruchsbildung beim ersten Aufheizen***

Auf neuen Heizstäben befinden sich Betriebsstoffe aus dem Fertigungsprozess. Diese zersetzen sich beim ersten Aufheizen des Saunaofens. Dabei entsteht Rauch und unangenehmer Geruch. Wenn Sie diese Dämpfe oder den Rauch einatmen, schadet dies Ihrer Gesundheit.

Führen Sie folgende Schritte durch, wenn Sie Ihren Saunaofen **erstmalig in Betrieb** nehmen und wenn die **Heizstäbe Ihres Saunaofens getauscht** wurden. Sie verhindern so Gesundheitsschäden durch Dämpfe und Rauch, die beim ersten Aufheizen entstehen.

1. Heizstäbe erstmalig aufheizen
  - a. Wählen Sie an der Saunasteuerung die höchst mögliche Temperatur.
  - b. Heizen Sie den Saunaofen für eine halbe Stunde auf.  
**Halten Sie sich während dieser Zeit NICHT in der Saunakabine auf.**
2. Verdampfer erstmalig aufheizen
  - a. Wählen Sie an der Saunasteuerung eine niedrige Temperatur und eine hohe Luftfeuchte.
  - b. Heizen Sie den Verdampfer mit halber Wassermenge auf (siehe **Verdampfer befüllen** auf Seite **26**)  
**Halten Sie sich während dieser Zeit NICHT in der Saunakabine auf.**
  - c. Nach ca. 15 Minuten schalten Sie die Saunasteuerung aus.
  - d. Lassen Sie den Verdampfer abkühlen (ca. eine halbe Stunde).
  - e. Entleeren Sie den Wassertank (siehe **Verdampfer befüllen** auf Seite **26**)
  - f. Wiederholen Sie Punkt 2.b.
  - g. Lüften Sie nach dem ersten Aufheizen die Saunakabine gut durch.
  - h. Wenn beim nächsten Aufheizen kein Rauch und kein Geruch mehr entstehen, können Sie mit dem ersten Saunabad beginnen.  
Wenn erneut Rauch oder Geruch entsteht, verlassen Sie sofort die Saunakabine und wiederholen Sie das erstmalige Aufheizen mit anschließendem Lüften.

## 6. Bedienung



### **WARNUNG!**

#### **Brandgefahr**

Brennbare Gegenstände, die auf dem heißen Saunaofen liegen, entzünden sich und verursachen Brände.

- Legen Sie NIEMALS brennbare Gegenstände auf den Saunaofen.
- Stellen Sie sicher, dass KEINE brennbaren Gegenstände auf dem Saunaofen liegen, bevor Sie den Saunaofen in Betrieb nehmen.

Die Bedienung des Saunaofens erfolgt über eine Saunasteuerung. Für Informationen zur Bedienung der Saunasteuerung lesen Sie die Bedienungsanleitung des verwendeten Geräts. Beachten Sie, dass der Saunaofen Concept R mini combi nur für Saunasteuerungen ohne Fernstartfunktion geeignet ist.

### 6.1. Finnischer Saunabetrieb

Beim finnischen Saunabetrieb ist nur das Heizsystem im Betrieb. Es steht trockene Wärme zur Verfügung. Die Temperatur in der Kabine ist hoch (80 bis 100 °C). Die Feuchtwerte sind mit maximal 10 % gering. Die Temperatur in der Saunakabine wird durch Ihre Saunasteuerung geregelt.

Am Ende des Saunaganges können Sie einen Aufguss durchführen. Gießen Sie dazu Wasser mit einer Saunakelle über die Saunasteine. Dadurch wird das Wasser verdampft und die Luftfeuchtigkeit in der Saunakabine erhöht.

Beachten Sie beim Aufguss folgende Punkte:

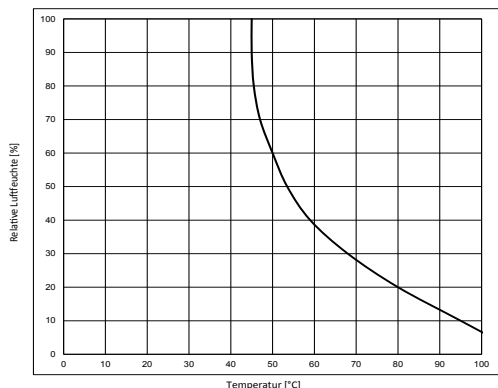
- Verwenden Sie zum Aufgießen nur Leitungswasser. Meerwasser, stark kalkhaltiges und chloriertes Wasser können den Saunaofen beschädigen.
- Verwenden Sie nur Duftstoffe und ätherische Öle, die ausdrücklich für die Verwendung als Aufgussmittel in Saunen geeignet sind. Beachten Sie die Herstellerangaben auf der Verpackung der Aufgussmittel.
- Gießen Sie das Wasser nicht zu schnell über die Saunasteine. Nur dann wird das Aufgusswasser vollständig verdampft.



## 6.2. Kombi-Betrieb

Im Kombi-Betrieb sind das Heizsystem und der Verdampfer im Betrieb. Die Temperatur in der Saunakabine ist niedriger als im finnischen Saunabetrieb (ca. 40 bis 65 °C), dafür ist die relative Luftfeuchte mit 35 % bis ungefähr 70 % wesentlich höher. Die maximal zulässige Luftfeuchte sinkt mit steigender Temperatur. Die Temperatur und die Luftfeuchte in der Saunakabine werden durch Ihre Saunasteuerung geregelt.

**Abb.11** Kennlinie Temperatur / Relative Luftfeuchte (EN60335-2-53 konform)



Es sind lediglich Einstellungen links unterhalb der Kennlinie möglich. z. Bsp.: bei 60% kann eine Temperatur von 50°C nicht überschritten werden.

DE

Der Verdampferbehälter muss händisch befüllt werden. Wenn der Wasservorrat im Verdampferbehälter aufgebraucht ist, schaltet ein Überhitzungsschutz die Heizung des Verdampfers automatisch aus. Der Wassermangel wird an die Saunasteuerung gemeldet und wird dort angezeigt, z.B. durch einen akustischen Warnton und die Meldung "FILL".

### ACHTUNG!

#### **Beschädigung des Verdampfers**

Meerwasser, stark kalkhaltiges und chloriertes Wasser, Kräuter, Essenzen oder Duftstoffe können den Verdampfer beschädigen.

- Befüllen Sie den Verdampferbehälter nur mit Leitungswasser.
- Geben Sie Kräuter, Essenzen oder Duftstoffe nicht direkt in den Verdampferbehälter, sondern nur in die Keramikschaale über dem Verdampfer.
- Entkalken Sie den Verdampfer regelmäßig (siehe **7.6 auf Seite 29**).

**Verdampfer befüllen****VORSICHT!****Verbrühungsgefahr**

Wenn Sie Wasser in den heißen Verdampferbehälter gießen, entsteht heißer Dampf.

- Gießen Sie NIEMALS Wasser in den heißen Verdampferbehälter.
- Kontrollieren und befüllen Sie den Verdampferbehälter jedesmal bevor Sie den Kombi-Betrieb starten.
- Wenn der Überhitzungsschutz die Heizung des Verdampfers abgeschaltet hat oder Ihre Saunasteuerung einen Wassermangel meldet, lassen Sie den Verdampfer abkühlen BEVOR Sie Wasser in den Verdampferbehälter gießen.

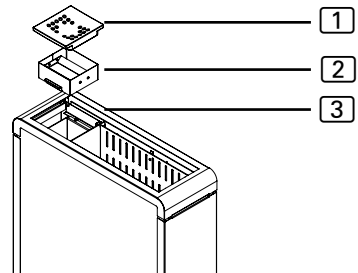
**VORSICHT!****Verbrühungsgefahr**

Wenn der Verdampferbehälter zu voll ist, spritzt kochendes Wasser aus dem Verdampferbehälter.



- Befüllen Sie den Verdampferbehälter nur bis zur Maximalmarke.

1. Entfernen Sie die Keramikschale **1** und den Dampftrichter **2**.
2. Stellen Sie ein Auffanggefäß (mindestens 5 Liter) unter den Kugelhahn am Verdampferboden.
3. Drehen Sie den Kugelhahn nach links bis das Restwasser ausfließt.
4. Wenn der Verdampferbehälter **3** leer ist, schließen Sie den Kugelhahn.



5. Befüllen Sie den Verdampferbehälter **3** mit frischem Leitungswasser bis zur Maximalmarke. Dazu benötigen Sie etwa 5 Liter Wasser. Mit dieser Wassermenge kann der Verdampfer ungefähr 1 Stunde betrieben werden.
6. Setzen Sie die Keramikschale **1** und den Dampftrichter **2** wieder ein.

## **Verwendung von Duftstoffen und Kräutern**

Wenn Sie es wünschen, können Sie Duftstoffe oder getrocknete Kräuter in die Keramikschale geben. Beachten Sie dabei folgende Punkte:

- Geben Sie Duftstoffe nicht direkt in den Verdampferbehälter.
- Befüllen Sie die Keramikschale vorsichtig, damit die Duftstoffe nicht durch die Löcher der Keramikschale in den Verdampferbehälter tropfen.
- Beachten Sie die Herstellerangaben auf der Verpackung der Kräuter und Duftstoffe.

## **7. Wartung**

### **7.1. Längere Betriebspausen**

Bei feuchten Umgebungsbedingungen oder langen Betriebspausen reichert sich Feuchtigkeit in den Heizstäben an. Dies ist ein physikalischer Vorgang und kein Fehler des Herstellers. Die Feuchtigkeit in den Heizstäben kann zum Auslösen des FI-Schutzschalters führen. Verständigen Sie in diesem Fall zur Fehlerbehebung eine Elektrofachkraft (siehe Kapitel **9. Problemlösung durch den Monteur**).



Heizen Sie den Saunaofen alle 5 bis 6 Wochen für ca. 15 Minuten auf. So verhindern Sie, dass sich bei längeren Betriebspausen Wasser in den Heizstäben anreichert.

DE

### **7.2. Saunaofen reinigen**

Achten Sie darauf, dass die Belüftungsöffnungen frei von Flusen und Staub sind. So verhindern Sie, dass die Luftzirkulation im Saunaofen eingeschränkt wird und das Gerät überhitzt.

### 7.3. Saunasteine wechseln

Saunasteine werden durch Aufgussmittel und große Temperaturunterschiede, die bei der Benutzung auftreten, beansprucht. Die Saunasteine können angegriffen und brüchig werden.

Überprüfen Sie die Saunasteine in regelmäßigen Abständen und tauschen Sie die Steine mindestens einmal jährlich.



#### **WARNUNG!**

#### ***Brandgefahr durch Überhitzung***

Wird der Saunaofen ohne Saunasteine verwendet, erhitzen sich die Kabinenwände stark. Dadurch können Brände verursacht werden.

- Nehmen Sie den Saunaofen **NIEMALS** ohne Saunasteine in Betrieb.
- 

1. Entfernen Sie die alten Saunasteine.
2. Befreien Sie den Steinbehälter von Kalkrückständen, Staub und anderen Verunreinigungen.
3. Waschen Sie die Saunasteine vor der Verwendung gründlich mit Bürste und Wasser. Verwenden Sie keine Reinigungszusätze.
4. Prüfen Sie die Steine vor dem Einfüllen in den Saunaofen auf Fremdkörper und entfernen Sie Verpackungsreste.
5. Legen Sie die Saunasteine in den Steinbehälter. Schichten Sie die Saunasteine locker, damit Luft durch die Zwischenräume strömen kann.
6. Achten Sie darauf, dass die Saunasteine nicht über den Rand des Steinbehälters ragen.

### 7.4. Verdampferbehälter reinigen

Entleeren und reinigen Sie den Verdampferbehälter nach jedem Gebrauch. Führen Sie dazu folgende Schritte durch:

1. Warten Sie bis das Wasser im Verdampfer abgekühlt ist.
2. Stellen Sie ein Auffanggefäß unter den Kugelhahn am Verdampferboden.
3. Drehen Sie den Kugelhahn nach links bis das Restwasser ausfließt.
4. Wenn der Verdampferbehälter leer ist, schließen Sie den Kugelhahn.

5. Entfernen Sie die Keramikschale und den Dampftrichter.
6. Reinigen Sie den Verdampferbehälter und den Dampftrichter mit einer Haushaltsbürste mit Kunststoffborsten. Spülen Sie mit Wasser nach.
7. Setzen Sie die Keramikschale und den Dampftrichter wieder ein.

## 7.5. Keramikschale reinigen

Reinigen Sie die Keramikschale für Kräuter und Essenzen nach Bedarf in der Geschirrspülmaschine.

## 7.6. Verdampferbehälter entkalken

Entkalken Sie den Verdampferbehälter nach Bedarf. Verwenden Sie dazu ein Entkalkungsmittel für Haushaltsgeräte. Beachten Sie dabei die Vorgaben und Sicherheitshinweise des Herstellers.

1. Bereiten Sie die Entkalkungslösung nach den Herstellerangaben.
2. Befüllen Sie den Verdampfer mit der Entkalkungslösung bis zur Maximalmarke.
3. Lassen Sie die Entkalkungslösung 10 Minuten kochen.
4. Warten Sie bis die Entkalkungslösung im Verdampfer abgekühlt ist.
5. Stellen Sie ein Auffanggefäß unter den Kugelhahn am Verdampferboden und leeren Sie den Verdampferbehälter.
6. Spülen Sie den Verdampferbehälter 2 mal mit Leitungswasser.

DE

## 8. Entsorgung



- Entsorgen Sie die Verpackungsmaterialien nach den gültigen Entsorgungsrichtlinien.
- Altgeräte enthalten wiederverwendbare Materialien, aber auch schädliche Stoffe. Geben Sie Ihr Altgerät deshalb auf keinen Fall in den Restmüll, sondern entsorgen Sie das Gerät nach den örtlich geltenden Vorschriften.

## 9. Problemlösung durch den Monteur

### Heizstäbe ausheizen

Bei feuchten Umgebungsbedingungen oder langen Betriebspausen kann es zu einer Anreicherung von Feuchtigkeit in den Heizstäben kommen. Dies ist ein physikalischer Vorgang und kein Fehler des Herstellers. Die Feuchtigkeit in den Heizstäben kann unter Umständen zum Auslösen des FI-Schutzschalters führen.

In diesem Fall ist es notwendig, den Saunaofen unter Aufsicht einer Elektrofachkraft auszuheizen. Dabei muss die Schutzfunktion des FI-Schalters außer Kraft gesetzt werden. Der Ausheizvorgang nimmt ca. 10 Minuten in Anspruch. Danach muss die Sicherungsfunktion des FI-Schalters wiederhergestellt werden.

Sollte das Problem weiterhin bestehen, wenden Sie sich an Ihren Lieferanten.

### Verdampfer-Übertemperatur-Sicherung rückstellen

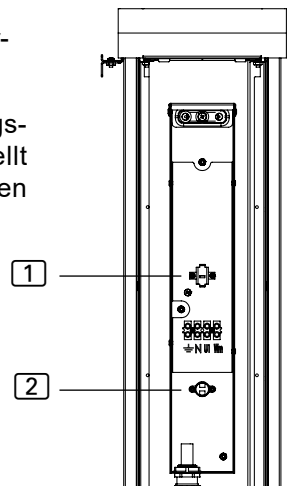
Der Temperaturschalter **2** übernimmt die Funktion der Wassermangelerkennung.

Wird ein bestimmter Wasserstand im Verdampfertank unterschritten (ca. 1l), schaltet dieser Temperaturschalter den Heizstab ab. Gleichzeitig fällt die Rückführung zum Steuergerät WM auf 0V ab - am Steuergerät wird die Meldung „FILL“ angezeigt.

Die Temperatursicherung **1** dient als Überhitzungsschutz. Diese Sicherung muss manuell rückgestellt werden. Drücken Sie dazu auf den hervorstehenden Metallkontakt in der Mitte der Temperatursicherung

**1** Temperatursicherung 150° C (nicht selbstrückstellend)

**2** Selbstrückstellender Temperaturschalter 110° C



## 10. Technische Daten

Die Abmessungen entnehmen Sie der **Abb.10**.

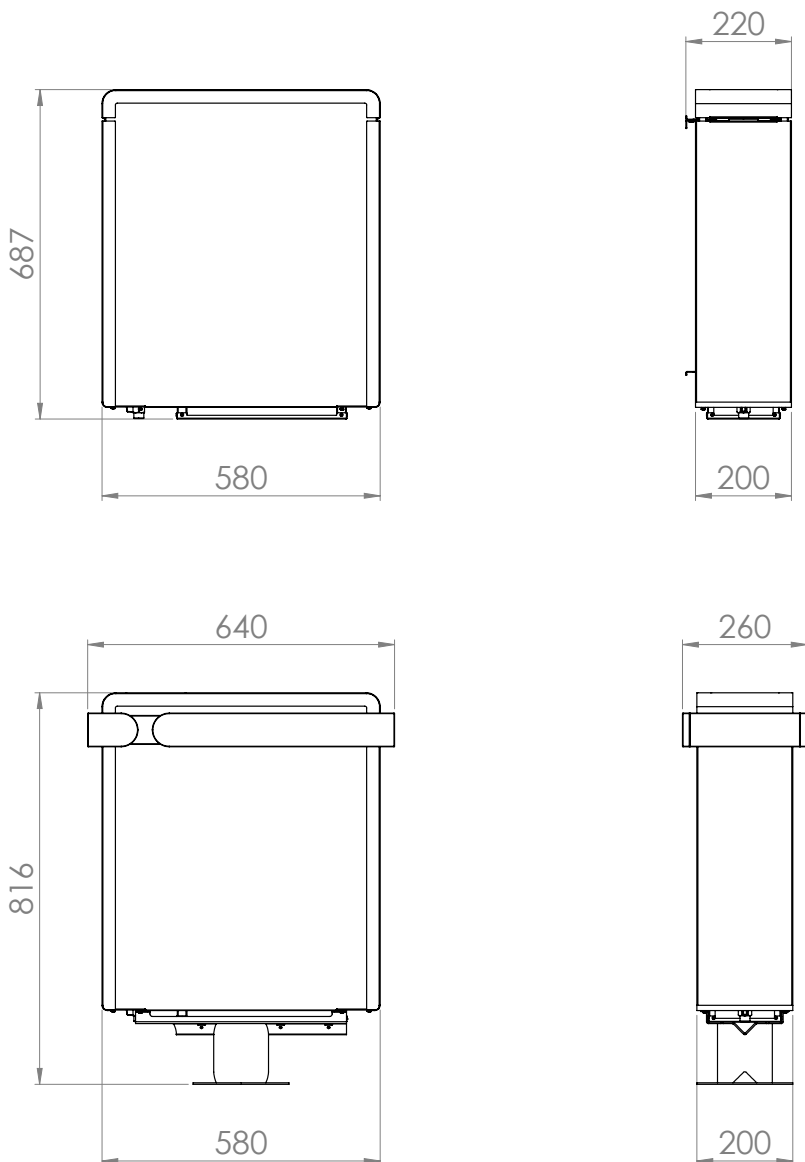
Artikelnummer	Leistung [kW]	Leistung Verdampfer [kW]	Kabinenvolumen [m <sup>3</sup> ]	Steinmenge [kg]	Gewicht ohne Steine [kg]
CP-RMC-35	3,5	1,0	3 - 5	ca. 15	29,5
CP-RMC-45	4,5	1,0	4 - 6	ca. 15	29,5
CP-RMC-60	6,0	1,0	5 - 8	ca. 15	29,5
CP-RMC-75	7,5	1,5	7 - 11	ca. 15	29,5

Artikelnummer	Mindestgröße Belüftungsöffnung [mm]	Absicherung [A]	Versorgung
CP-RMC-35	350 x 20	3 x 10	400 V AC 3N~ 50/60 Hz 230 V AC 1N~ 50/60 Hz
CP-RMC-45	350 x 25	3 x 10	400 V AC 3N~ 50/60 Hz 230 V AC 1N~ 50/60 Hz
CP-RMC-60	350 x 30	3 x 10	400 V AC 3N~ 50/60 Hz 230 V AC 1N~ 50/60 Hz
CP-RMC-75	350 x 35	3 x 16	400 V AC 3N~ 50/60 Hz 230 V AC 1N~ 50/60 Hz

DE

Artikelnummer	Heizstäbe	Verdampfer Heizstab
CP-RMC-35	3 x CPRM115 (1-043-621)	
CP-RMC-45	3 x SCA150 (1-028-518)	1 x 1-052-801
CP-RMC-60	3 x SCA200 (1-028-503)	
CP-RMC-75	3 x CPRM250 (1-042-346)	1 x 1-052-800

**Abb.12** Abmessungen Concept R mini combi  
3,5 kW, 4,5 kW 6,0 kW und 7,5 kW  
(CP-RMC-35 / CP-RMC-45 / CR-RMC-60 / CP-RMC-75)  
Maße in mm





# Poêle de sauna

## Concept R mini combi

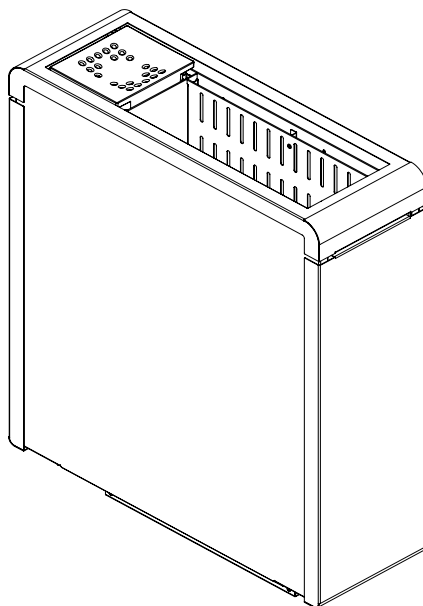
CP-RMC-35 / 1-041-405 : Concept R mini combi 3,5 kW

CP-RMC-45 / 1-041-406 : Concept R mini combi 4,5 kW

CP-RMC-60 / 1-041-407 : Concept R mini combi 6,0 kW

CP-RMC-75 / 1-041-408 : Concept R mini combi 7,5 kW

### INSTRUCTIONS DE MONTAGE ET MODE D'EMPLOI Français



FR

# Table des matières

<b>1. Concernant ces instructions</b>	<b>4</b>
<b>2. Remarques importantes pour votre sécurité</b>	<b>5</b>
2.1. Usage conforme	5
2.2. Consignes de sécurité pour le monteur	5
2.3. Consignes de sécurité pour l'utilisateur	7
<b>3. Description du produit</b>	<b>9</b>
3.1. Contenu de la livraison	9
3.2. Accessoires	9
3.3. Fonctions du produit	9
<b>4. Montage et raccordement</b>	<b>10</b>
4.1. Lieu d'installation et position de la sonde	10
4.2. Distances de sécurité	11
4.3. Montage sur la paroi de la cabine	12
4.4. Montage avec pied (en option)	14
4.5. Schéma de raccordement pour 400 V 3N~	16
4.6. Schéma de raccordement pour 230 V 1N~	17
4.7. Schémas de câblage	18
4.8. Branchements électriques	19
4.9. Montage de la rambarde de poêle (en option)	20
<b>5. Mise en service</b>	<b>23</b>
5.1. Remplissage du réservoir de pierres	23
5.2. Utilisation du bol en céramique	23
5.3. Premier chauffage	24

<b>6. Utilisation</b>	<b>25</b>
6.1. Mode sauna finlandais.....	25
6.2. Mode mixte.....	26
<b>7. Entretien</b>	<b>28</b>
7.1. Périodes d'arrêt prolongées.....	28
7.2. Nettoyage du poêle de sauna.....	28
7.3. Remplacement des pierres à sauna.....	29
7.4. Nettoyage du conteneur de l'évaporateur .....	29
7.5. Nettoyage du bol en céramique.....	30
7.6. Détartrage du conteneur de l'évaporateur.....	30
<b>8. Élimination</b>	<b>30</b>
<b>9. Dépannage par le monteur</b>	<b>31</b>
<b>10. Caractéristiques techniques</b>	<b>32</b>

# 1. Concernant ces instructions

Lisez attentivement ces instructions de montage et ce mode d'emploi et conservez-les à proximité du sauna. Vous pouvez ainsi consulter à tout moment des informations concernant son utilisation et relatives à votre sécurité.



Ces instructions de montage et ce mode d'emploi sont également disponibles dans la rubrique de téléchargement de notre site Internet [www.sentiotec.com/downloads](http://www.sentiotec.com/downloads).

## **Symboles d'avertissement**

Dans les instructions de montage et le mode d'emploi, un avertissement précède les activités représentant un danger. Conformez-vous impérativement à ces avertissements. Vous éviterez ainsi des dommages matériels et des blessures qui, dans le pire des cas, peuvent être mortelles.

Ces avertissements utilisent des termes clés qui ont la signification suivante :



### **DANGER**

Si vous ne respectez pas cet avertissement, il y a un risque de blessures graves, voire mortelles.



### **AVERTISSEMENT**

Si vous ne respectez pas cet avertissement, il y a un risque éventuel de blessures graves, voire mortelles.



### **PRUDENCE**

Si vous ne respectez pas cet avertissement, il y a un risque éventuel de blessures légères.

## **ATTENTION**

Ce terme clé vous avertit de dommages matériels éventuels.

## **Autres symboles**



Ce symbole désigne les conseils et indications utiles.



Ne pas couvrir !



Lire le mode d'emploi

## 2. Remarques importantes pour votre sécurité

Le poêle de sauna Concept R mini combi a été construit selon l'état de la technique et les règles de sécurité reconnues. Cependant, des dangers peuvent survenir lors de l'utilisation. C'est pourquoi vous devez suivre les consignes de sécurité suivantes et les avertissements spécifiques des différents chapitres.

### 2.1. Usage conforme

Le Concept R mini combi est un poêle de sauna à évaporateur intégré. Le poêle de sauna Concept R mini combi doit être utilisé exclusivement pour chauffer les cabines de sauna et pour augmenter l'humidité de l'air dans la cabine. Le poêle de sauna Concept R mini combi doit être utilisé exclusivement en combinaison avec une commande de sauna sans fonction de démarrage à distance.

Toute autre utilisation est considérée comme un usage non conforme. Un usage non conforme peut endommager le produit et provoquer de graves blessures, voire la mort.

### 2.2. Consignes de sécurité pour le monteur

- Les travaux de montage et de raccordement du poêle de sauna doivent être effectués uniquement lorsque l'appareil n'est pas sous tension.
- Seul un électricien spécialisé ou une personne ayant une qualification similaire est habilité à procéder au montage.
- Un dispositif de coupure totale du circuit sur tous les pôles (catégorie de surtension III) doit être prévu par le client.
- Pour le raccordement du poêle de sauna, utilisez exclusivement des lignes en silicone résistant à des températures allant jusqu'à 150 °C.
- Installez un seul poêle de sauna par cabine. Le poêle de sauna

Concept R mini combi ne doit pas être utilisé avec d'autres poêles de sauna dans une même cabine de sauna.

- Les plafonds et parois de la cabine de sauna doivent être fabriqués en bois peu résineux, non traités ou traités thermiquement, par ex. pin nordique, tsuga, pin ou sapin, ou en matériaux composés de couches de bois. En cas d'utilisation de matériaux composés de couches de bois, veillez à ce que leurs colles n'émettent pas de formaldéhyde. Si d'autres matériaux que le bois sont utilisés dans la cabine de sauna, ils doivent résister à la chaleur et à la corrosion et ne doivent avoir aucun effet négatif sur la santé des utilisateurs du sauna.
- La cabine de sauna doit mesurer au moins 1,64 m de hauteur.
- Respectez les indications concernant le volume et la ventilation de la cabine de sauna du chapitre **10. Caractéristiques techniques**.
- Lors de l'installation du poêle de sauna, respectez les distances minimales de sécurité (voir chapitre **4.2. Distances de sécurité**).
- Respectez également les dispositions légales du lieu d'installation.
- En cas de problèmes insuffisamment traités dans les instructions de montage, adressez-vous à votre fournisseur pour votre propre sécurité.

### **2.3. Consignes de sécurité pour l'utilisateur**

- L'appareil ne doit pas être utilisé par des enfants de moins de 8 ans.
- L'appareil peut être utilisé par des enfants de plus de 8 ans, par des personnes ayant des capacités psychiques, sensorielles ou mentales limitées et par des personnes manquant d'expérience et de connaissances aux conditions suivantes :
  - lorsqu'ils sont surveillés ;
  - lorsque l'utilisation en toute sécurité leur a été montrée et qu'ils comprennent les dangers qui peuvent survenir.

- Les enfants ne doivent pas jouer avec l'appareil.
- Les enfants de moins de 14 ans peuvent nettoyer l'appareil uniquement s'ils sont surveillés.
- Pour des raisons de santé, n'utilisez pas le sauna lorsque vous êtes sous l'influence de l'alcool, de médicaments ou de drogues.
- Ne faites jamais fonctionner le poêle de sauna sans pierres à sauna, cela pourrait provoquer des incendies.
- Assurez-vous qu'aucun objet inflammable ne se trouve sur le poêle de sauna avant de mettre en marche la commande.
- AVANT de commencer à utiliser le sauna, faites chauffer le poêle de sauna pendant une demi-heure. Pendant ce temps, NE restez PAS dans la cabine de sauna. Ensuite, aérez bien la cabine de sauna (voir **5.3. Premier chauffage** à la page **23**).
- Ne touchez jamais le poêle de sauna pendant son fonctionnement. Les surfaces du poêle de sauna et les pierres à sauna sont très chaudes.
- NE versez JAMAIS d'eau dans le conteneur chaud de l'évaporateur. Contrôlez et remplissez le conteneur de l'évaporateur avant chaque fonctionnement mixte. Si la protection contre la surchauffe a éteint le chauffage de l'évaporateur ou si votre commande de sauna signale un manque d'eau, laissez l'évaporateur refroidir AVANT de verser de l'eau dans le conteneur de l'évaporateur.
- Pour votre sécurité, adressez-vous à votre fournisseur si le mode d'emploi ne traite pas exhaustivement de certains problèmes.

## 3. Description du produit

### 3.1. Contenu de la livraison

- Poêle de sauna
- Instructions de montage et mode d'emploi

### 3.2. Accessoires

<i>Accessoires</i>	<i>Numéro de produit</i>
Kit de fixation pour rambarde du poêle Concept R mini combi	CP-RMC-HSR / 1-041-410
Rambarde en bois Concept R mini combi tilleul	CP-RMC-L / 1-041-412
Rambarde en bois Concept R mini combi noyer	CP-RMC-N / 1-041-411
Pied Concept R mini combi	CP-RMC-SF / 1-041- 409
Cache pour pied Concept R mini tilleul	CP-RM-CSF-L / 1-041482
Cache pour pied Concept R mini noyer	CP-RM-CSF-N / 1-041-483

### 3.3. Fonctions du produit

- **Mode sauna finlandais** : généralement entre 80 et 100 °C, humidité relative de l'air env. 10 %
- **Mode mixte** (uniquement en combinaison avec une commande mixte) : env. entre 40 et 65 °C, humidité relative de l'air entre 35 et 70 %. Plus la température augmente, plus l'humidité de l'air maximale autorisée baisse.  
En fonctionnement mixte, vous pouvez placer des parfums ou des herbes séchées dans le bol en céramique au-dessus de l'évaporateur. La vapeur montante extrait les huiles essentielles des herbes et diffuse les parfums dans la cabine de sauna.



## 4. Montage et raccordement

Tenez compte des points suivants lors de l'installation et du raccordement du poêle de sauna :



### AVERTISSEMENT

#### *Risque d'électrocution*

- Effectuez les travaux de montage et de raccordement du poêle de sauna uniquement lorsque celui-ci n'est pas sous tension.
- Seul un électricien spécialisé ou une personne ayant une qualification similaire est habilité à procéder au raccordement électrique.
- Un dispositif de coupure totale du circuit sur tous les pôles (catégorie de surtension III) doit être prévu par le client.
- Le poêle de sauna Concept R mini combi peut être utilisé comme poêle mural ou comme poêle à poser. En cas de montage mural, contrôlez la stabilité du poêle sur la barre de montage avant la mise en service. En cas de montage sur pied, contrôlez la stabilité du pied.

### 4.1. Lieu d'installation et position de la sonde

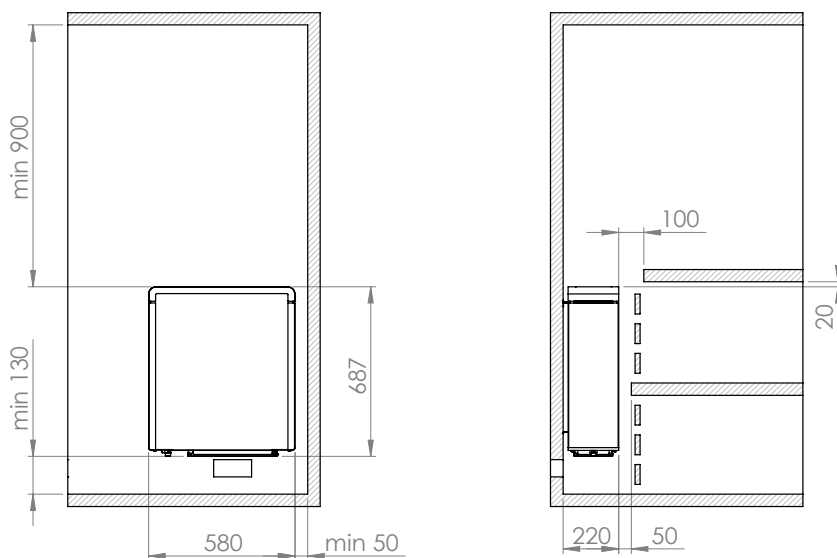
Le poêle doit être monté en position centrale devant l'orifice d'admission d'air de la paroi de la cabine. Ce faisant, respectez les distances de sécurité par rapport à la paroi de la cabine indiquées à la **Fig. 1**.

Montez la sonde de température avec dispositif de protection contre la surtempérature au niveau de la paroi de la cabine, au-dessus du centre du poêle de sauna. Respectez une distance de 15 cm par rapport au plafond de la cabine.

## 4.2. Distances de sécurité

Respectez les distances de sécurité minimales indiquées sur la **Fig. 1**.

**Fig. 1** Distances de sécurité  
Concept R mini combi 3,5 kW, 4,5 kW, 6,0 kW et 7,5 kW  
(CP-RMC-35/CP-RMC-45/CR-RMC-60/CP-RMC-75)  
Dimensions en mm



### 4.3. Montage sur la paroi de la cabine

Reportez-vous aux **fig. 1, 2, 3 et 4** (pages **11, 12 et 13**).

1. Fixez la barre de montage **[1]** horizontalement au mur avec les vis à bois **[2]** fournies. Reportez-vous à la fig. 1 en ce qui concerne les distances minimales du poêle.
2. Accrochez le poêle **[3]** du haut vers le bas à la barre de montage en veillant à ce qu'il soit parfaitement affleurant.
3. Fixez le poêle **[3]** à la barre de montage **[1]** avec la vis fournie **[4]**.

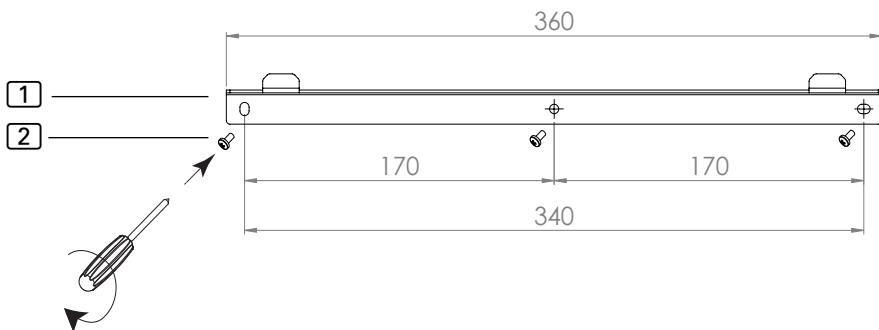


#### AVERTISSEMENT

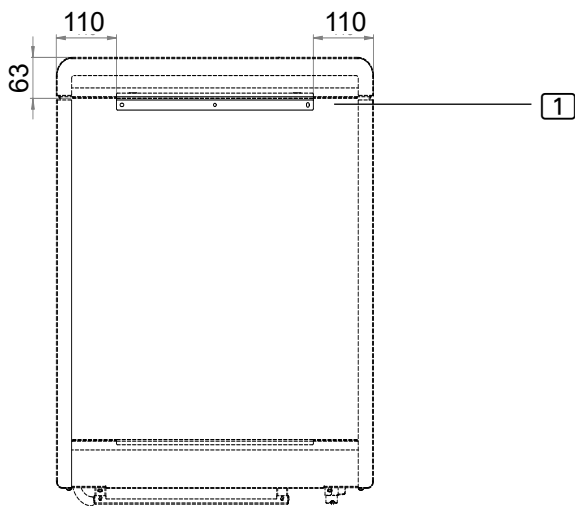
#### Risque d'incendie

- Fixez le poêle avec la vis de blocage **[4]** fournie afin de prévenir tout glissement.

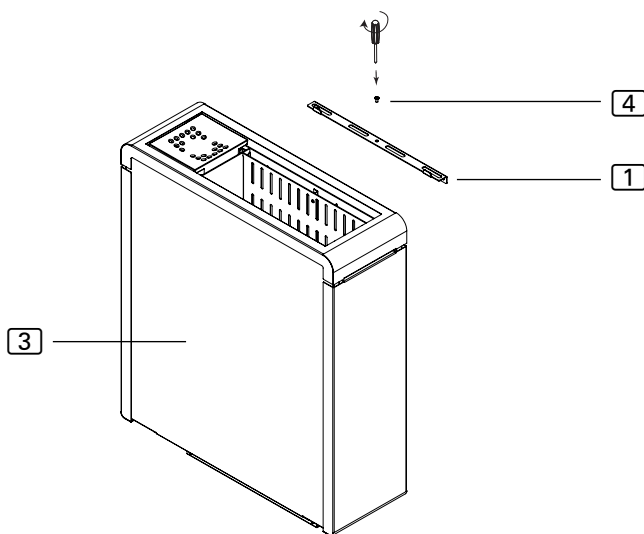
**Fig. 2** Barre de montage du Concept R mini combi  
Dimensions en mm



**Fig. 3** Position de la barre de montage du Concept R mini combi  
Dimensions en mm



**Fig. 4** Fixation du Concept R mini combi (barre de montage)



#### 4.4. Montage avec pied (en option)

Reportez-vous aux **Fig. 1**, **Fig. 5**, **Fig. 6** (pages **10**, **13** et **14**).

1. Fixez le pied **1** à la partie inférieure du poêle à l'aide des vis **2** fournies. Assurez-vous que l'évidement rond se trouve du côté de l'évaporateur.
2. Fixez le pied au sol à l'aide des vis fournies (**Fig. 6**). Selon la nature du sol, utilisez les vis à bois fournies ou les chevilles et les vis correspondantes. Respectez les distances minimales du poêle indiquées sur la **Fig. 1**.

Pour cacher les vis du pied, placez les deux parties du cache circulaire sur le

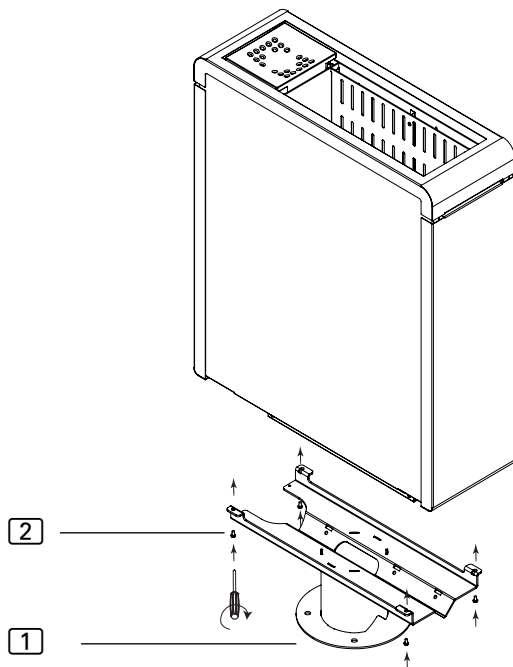


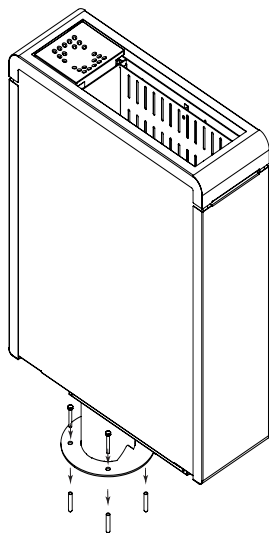
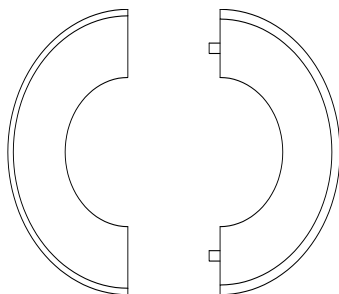
#### AVERTISSEMENT

##### *Risque d'incendie*

- Fixez directement le poêle et le pied dans un sol suffisamment solide, par ex. le sol sur lequel la cabine de sauna est montée, mais **PAS** au revêtement de sol du sauna.

**Fig. 5** Montage du pied sur le Concept R mini combi

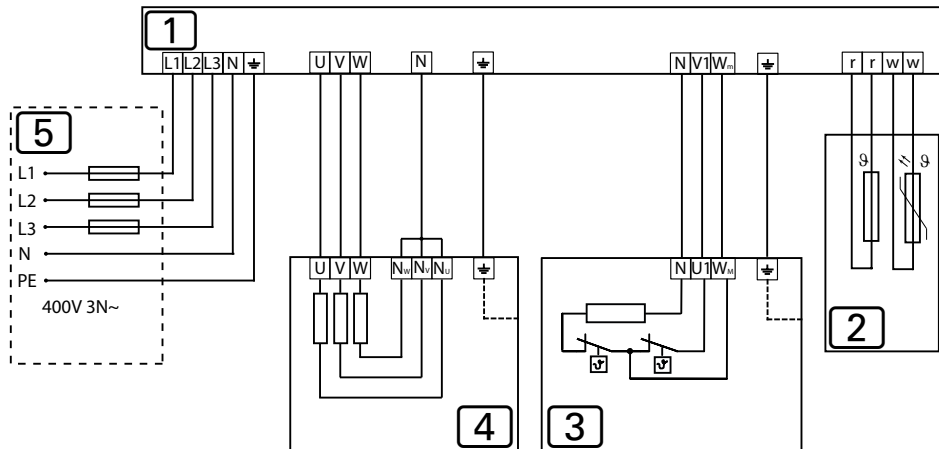


**Fig. 6** Fixation du Concept R mini combi avec pied**Fig. 7** Montage du cache en bois pour pied (en option)

ped et pressez-les fermement l'une contre l'autre.

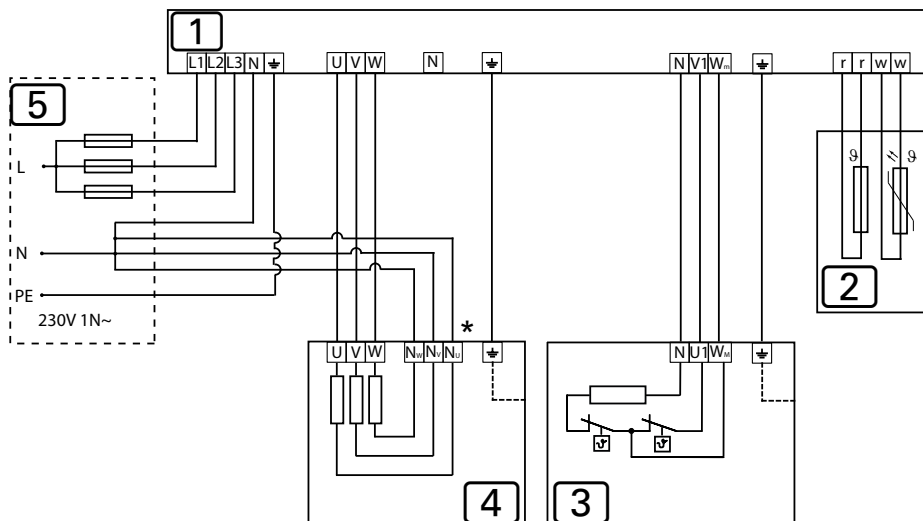
### 4.5. Schéma de raccordement pour 400 V 3N~

**Fig. 8** Schéma de raccordement des Concept R mini combi  
 3,5 kW, 4,5 kW, 6,0 kW et 7,5 kW  
 (CP-RMC-35/CPC-RM-45/CR-RMC-60/CP-RMC-75)



## 4.6. Schéma de raccordement pour 230 V 1N~

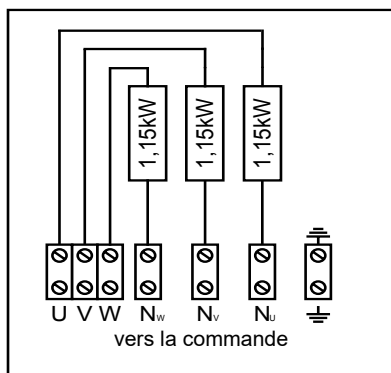
**Fig. 9** Schéma de raccordement des Concept R mini combi  
3,5 kW, 4,5 kW, 6,0 kW et 7,5 kW  
(CP-RMC-35/CPC-RM-45/CR-RMC-60/CP-RMC-75)



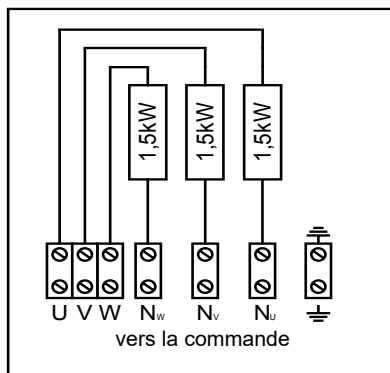
- 1** Commande de sauna
  - 2** Sonde de température avec dispositif de protection contre la surtempérature
  - 3** Évaporateur 1,0 kW ou 1,5 kW
  - 4** Système de chauffage 3,45 kW, 4,5 kW, 6,0 kW ou 7,5 kW
  - 5** Alimentation électrique
- \* Retirer le cavalier de cuivre



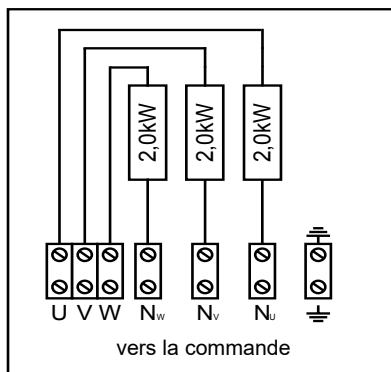
## 4.7. Schémas de câblage



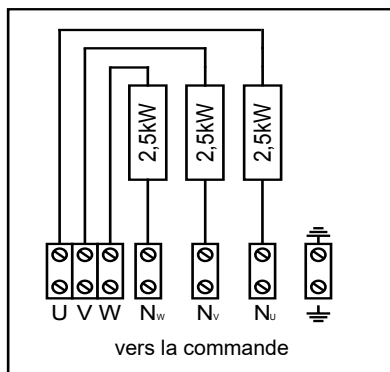
**CP-RMC-35**  
3,5 kW



**CP-RMC-45**  
4,5 kW



**CP-RMC-60**  
6,0 kW

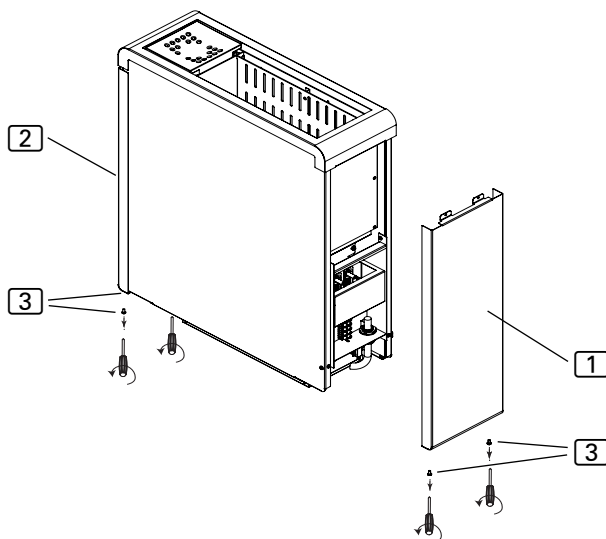


**CP-RMC-75**  
7,5 kW

## 4.8. Branchements électriques

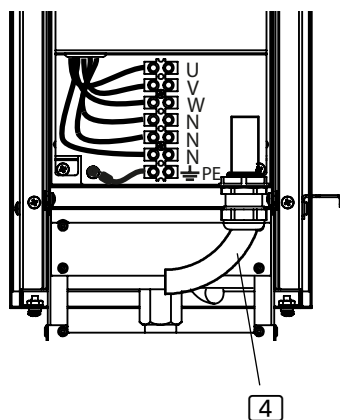
1. Desserrez les vis **3** à l'aide d'un tournevis.
2. Retirez les caches en tôle **1** et **2**.

**Fig. 10** Retrait des caches en tôle

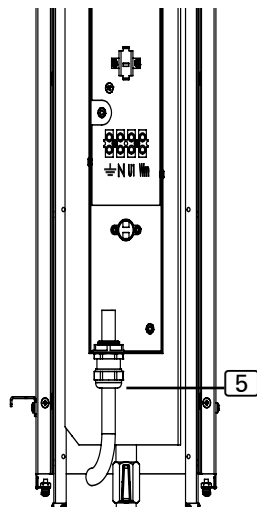


### **Raccordement des Concept R mini combi 3,5 kW, 4,5 kW, 6,0 kW et 7,5 kW** (CP-RMC-35/CP-RMC-45/CR-RMC-60/CP-RMC-75)

1. Faites passer le câble de raccordement pour le système de chauffage par le passage de câbles **4**.
2. Raccordez les fils du câble de raccordement aux bornes correspondantes du poêle de sauna, selon le type de raccordement, ainsi qu'aux bornes correspondantes de la commande de sauna. Respectez les instructions de montage de la commande du sauna et les schémas de raccordement figurant page **16**.



3. Faites passer le câble de l'évaporateur par le passage de câbles **5**.
4. Raccordez les fils du câble de l'évaporateur aux bornes PE – N – U1 – Wm de la barre de raccordement et aux bornes correspondantes de la commande de sauna. Respectez les instructions de montage de la commande de sauna.
5. Fixez à nouveau les caches en tôle **1** et **2** au poêle de sauna ou effectuez le montage de la rambarde de poêle (en option).



#### 4.9. Montage de la rambarde de poêle (en option)

1. Retirez le bol en céramique de l'évaporateur.
2. Retirez les caches en tôle **1** et **2** en suivant la description de la section **4.9 page 18**.

#### ATTENTION

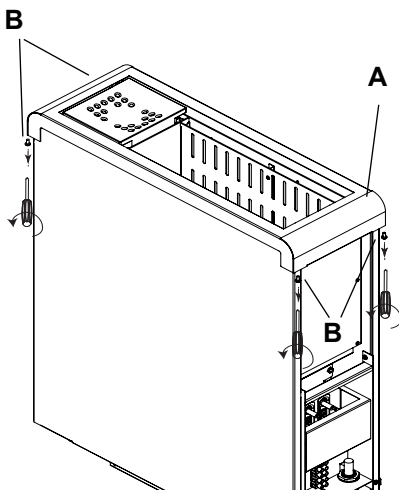
##### **Endommagement du produit**

L'utilisation de tournevis électriques peut endommager le produit.

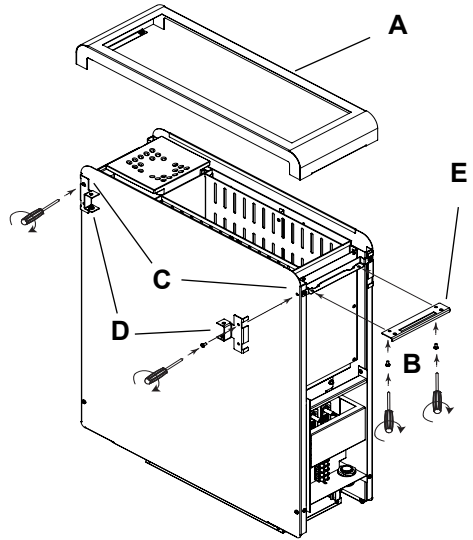
- Montez le support de rambarde à l'aide d'un tournevis normal.

FR

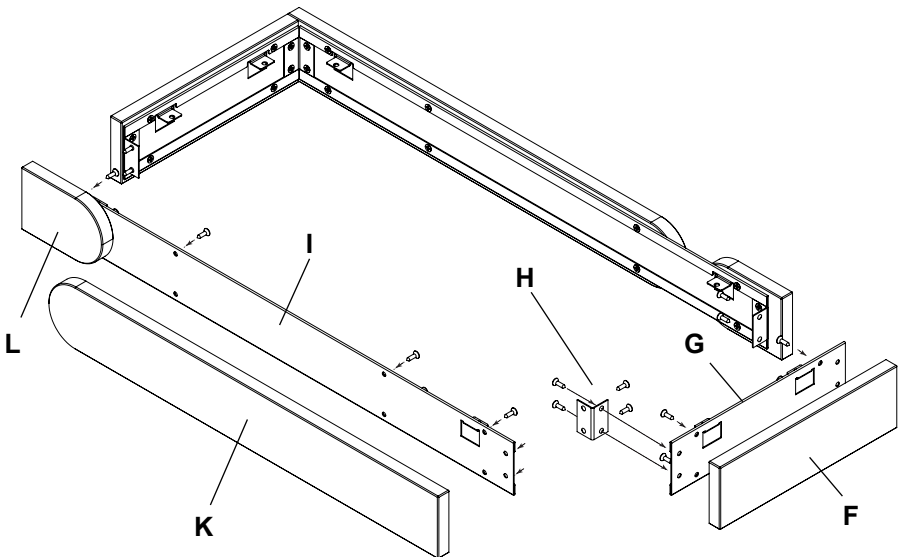
3. Desserrez les vis **B** et retirez le cadre **A**.



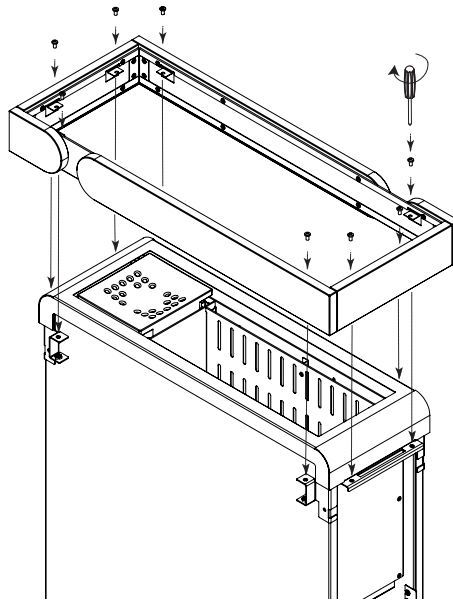
4. Desserrez les vis **C** et utilisez-les pour monter les équerres de fixation de la rambarde **D**. Selon la forme souhaitée pour la rambarde de poêle, vous aurez besoin de deux ou de quatre équerres de fixation.
5. Montez le support de rambarde **E** avec le cache **A** - utilisez pour cela les vis **B** desserrées précédemment.



6. Vous pouvez assembler la rambarde en lui donnant une forme en L, en U ou en O selon vos besoins. Utilisez pour cela les vis à bois fournies.



7. Vissez le panneau latéral de la rambarde en bois **F** en l'alignant sur le panneau latéral de support **G**. Répétez l'opération si nécessaire pour le côté opposé.
8. Raccordez le panneau latéral de support **G** à l'aide de l'équerre **H** au long panneau de support **I**. Répétez l'opération si nécessaire pour le côté opposé.
9. Vissez le panneau de rambarde en bois long **K** et le panneau de rambarde en bois court **L** sur le panneau de support **I**. Vérifiez l'alignement avec le panneau latéral de la rambarde en bois **F**.
10. Placez la rambarde de poêle assemblée sur le support de rambarde et fixez celui-ci à l'aide des vis à tête bombée fournies. Placez la rambarde de poêle avec précaution sur le cache pour éviter de rayer la surface.



## 5. Mise en service

### 5.1. Remplissage du réservoir de pierres



#### AVERTISSEMENT

#### *Risque d'incendie dû à la surchauffe*

Si le poêle de sauna est utilisé sans pierres à sauna, les parois de la cabine chauffent fortement. Cela peut provoquer des incendies.

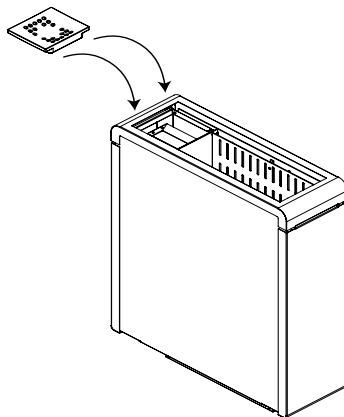
- NE mettez JAMAIS le poêle de sauna en marche sans pierres à sauna.

Vous trouverez la quantité de pierres correspondant à votre poêle au chapitre **10. Caractéristiques techniques** (voir page 31).

1. Avant utilisation, nettoyez soigneusement les pierres à sauna à l'eau à l'aide d'une brosse. N'utilisez pas de produits de nettoyage.
2. Avant de les placer dans le poêle de sauna, vérifiez que les pierres ne comportent pas de corps étrangers et retirez les restes d'emballage.
3. Placez les pierres à sauna dans le réservoir de pierres. Disposez les pierres à sauna sans les serrer, afin que l'air puisse passer entre les interstices.
4. Veillez à ce que les pierres à sauna ne dépassent pas du bord du réservoir de pierres.

### 5.2. Utilisation du bol en céramique

- Placez le bol en céramique sur le conteneur de l'évaporateur – comme indiqué sur l'illustration de droite.



### 5.3. Premier chauffage



#### PRUDENCE

#### *Formation de fumée et de mauvaises odeurs lors du premier chauffage*

Sur les thermoplongeurs neufs se trouvent des matières consommables issues du processus de fabrication. Celles-ci se décomposent lors du premier chauffage du poêle de sauna. Cela provoque de la fumée et des odeurs désagréables. Le fait de respirer ces vapeurs ou la fumée nuit à votre santé.

Procédez aux opérations suivantes lorsque vous mettez votre poêle de sauna **en service pour la première fois** et lorsque les **thermoplongeurs de votre poêle de sauna ont été remplacés**. Vous évitez ainsi des dommages pour votre santé provoqués par les vapeurs et la fumée se formant lors du premier chauffage.

1. Premier chauffage des thermoplongeurs
  - a. Sur la commande du sauna, sélectionnez la température la plus élevée possible.
  - b. Faites chauffer le poêle de sauna pendant une demi-heure.  
**Pendant ce temps, NE restez PAS dans la cabine de sauna.**
2. Premier chauffage de l'évaporateur
  - a. Sur la commande de sauna, sélectionnez une température faible et une humidité de l'air élevée.
  - b. Faites chauffer l'évaporateur en remplissant le réservoir d'eau à la moitié (voir **Remplissage de l'évaporateur** à la page 26)  
**Ne restez PAS dans la cabine de sauna pendant le chauffage.**
  - c. Au bout d'env. 15 minutes, désactivez la commande de sauna.
  - d. Laissez refroidir l'évaporateur (env. une demi-heure).
  - e. Videz le réservoir d'eau (voir **Remplissage de l'évaporateur** à la page 26).
  - f. Répétez le point 2.b.
  - g. Après le premier chauffage, aérez bien la cabine de sauna.
  - h. Si plus aucune fumée ni aucune odeur ne se forment lors du prochain chauffage, vous pouvez commencer à utiliser votre sauna.  
Si de la fumée ou des odeurs apparaissent de nouveau, quittez immédiatement la cabine de sauna et répétez la procédure de premier chauffage, suivie d'une aération.

## 6. Utilisation

---



### **AVERTISSEMENT**

#### ***Risque d'incendie***

Des objets inflammables se trouvant sur le poêle de sauna brûlant peuvent s'enflammer et provoquer des incendies.

- NE placez JAMAIS de matériaux inflammables sur le poêle de sauna.
  - Assurez-vous qu'AUCUN objet inflammable ne se trouve sur le poêle de sauna avant de mettre le sauna en marche.
- 

L'utilisation du poêle de sauna s'effectue grâce à une commande de sauna. Pour obtenir des informations concernant l'utilisation de la commande pour sauna, lisez le mode d'emploi de l'appareil correspondant. Notez que le poêle de sauna Concept R mini combi ne convient qu'aux commandes sans fonction de démarrage à distance.

### **6.1. Mode sauna finlandais**

En mode sauna finlandais, seul le système de chauffage fonctionne. La chaleur disponible est sèche. La température dans la cabine est élevée (de 80 à 100 °C). Les valeurs d'humidité sont faibles (max. 10 %). La température dans la cabine de sauna est réglée par la commande du sauna.

À la fin de l'utilisation du sauna, vous pouvez effectuer un arrosage. Pour ce faire, versez de l'eau sur les pierres à sauna à l'aide d'une louche pour sauna. Cela fait évaporer l'eau et augmente l'humidité de l'air dans la cabine.

Lors de l'arrosage, respectez les points suivants :

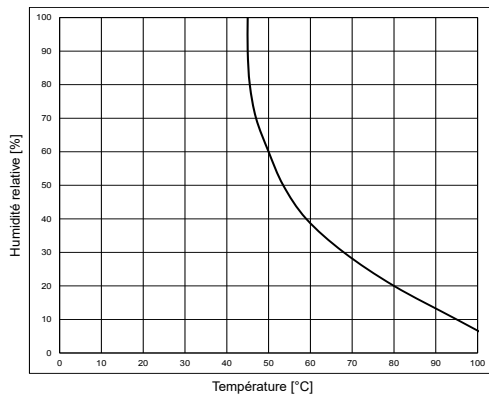
- Utilisez uniquement de l'eau du robinet pour l'arrosage. L'eau de mer, une eau très calcaire et de l'eau chlorée peuvent endommager le poêle de sauna.
- Utilisez uniquement des parfums et des huiles essentielles explicitement adaptés à l'arrosage dans des saunas. Suivez les consignes données par le fabricant sur l'emballage des essences.
- Ne versez pas l'eau trop vite sur les pierres à sauna. Cela permet que l'eau d'arrosage s'évapore totalement.



## 6.2. Mode mixte

En mode mixte, le système de chauffage et l'évaporateur fonctionnent. La température dans la cabine du sauna est plus basse (environ de 40 à 65 °C) qu'en mode sauna finlandais mais l'humidité relative de l'air est nettement plus élevée (de 35 % à environ 70 %). Plus la température augmente, plus l'humidité de l'air maximale autorisée baisse. La température et l'humidité de l'air dans la cabine de sauna sont réglées par la commande du sauna.

**Fig. 11** Courbe caractéristique de température/humidité relative de l'air (conforme à la norme EN 60335-2-53)



Seuls les réglages situés à gauche et sous la courbe caractéristique sont possibles. Par exemple, à 60 %, la température ne peut pas dépasser 50 °C.

Le conteneur de l'évaporateur doit être rempli manuellement. Si la réserve d'eau dans le conteneur de l'évaporateur est épuisée, une protection contre la surchauffe éteint automatiquement le chauffage de l'évaporateur. Le manque d'eau est signalé au niveau de la commande du sauna et y est indiqué, par ex. par un signal sonore et par le message « FILL ».

### ATTENTION

#### **Endommagement de l'évaporateur**

L'eau de mer, une eau très calcaire et de l'eau chlorée, des herbes, des essences ou des parfums peuvent endommager le poêle de sauna.

- Remplissez le conteneur de l'évaporateur uniquement à l'eau du robinet.
- Ne placez pas les herbes, les essences ou les parfums directement dans le conteneur de l'évaporateur, mais dans le bol en céramique situé au-dessus de l'évaporateur.
- Déterminez l'évaporateur régulièrement (voir **7.6 page 29**).

## Remplissage de l'évaporateur



### PRUDENCE

#### Risque de brûlure

Lorsque vous versez de l'eau dans le conteneur chaud de l'évaporateur, de la vapeur chaude se dégage.

- NE versez JAMAIS d'eau dans le conteneur chaud de l'évaporateur.
- Contrôlez et remplissez le conteneur de l'évaporateur avant chaque fonctionnement mixte.
- Si la protection contre la surchauffe a éteint le chauffage de l'évaporateur ou si votre commande de sauna signale un manque d'eau, laissez l'évaporateur refroidir AVANT de verser de l'eau dans le conteneur de l'évaporateur.



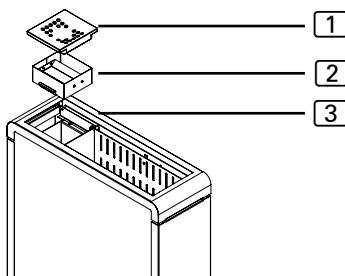
### PRUDENCE

#### Risque de brûlure

Si le conteneur de l'évaporateur est trop plein, des éclaboussures d'eau bouillante jaillissent du conteneur de l'évaporateur.

- Remplissez le conteneur de l'évaporateur uniquement jusqu'à la marque du maximum.

1. Retirez le bol en céramique [1] et l'entonnoir à tuyau de vapeur [2].
2. Placez un récipient de récupération (d'au moins 5 litres) sous le robinet à boisseau sphérique situé au fond de l'évaporateur.
3. Tournez le robinet à boisseau sphérique vers la gauche jusqu'à ce que l'eau résiduelle s'écoule.
4. Lorsque le conteneur de l'évaporateur [3] est vide, fermez le robinet à boisseau sphérique.
5. Remplissez le conteneur de l'évaporateur [3] d'eau fraîche du robinet jusqu'à la marque du maximum. Pour cela, il vous faut environ 5 litres d'eau. Avec cette quantité d'eau, il est possible d'utiliser l'évaporateur pendant 1 heure environ.
6. Remplacez le bol en céramique [1] et l'entonnoir à tuyau de vapeur [2].



### **Utilisation de parfums et d'herbes**

Si vous le souhaitez, vous pouvez placer des parfums ou des herbes séchées dans le bol en céramique. Tenez compte des points suivants :

- Ne placez pas les parfums directement dans le conteneur de l'évaporateur.
- Remplissez le bol en céramique avec prudence pour que les parfums ne s'écoulent pas par les trous du bol en céramique et tombent dans le conteneur de l'évaporateur.
- Suivez les consignes données par le fabricant sur l'emballage des herbes et des parfums.

## **7. Entretien**

### **7.1. Périodes d'arrêt prolongées**

Si l'environnement est particulièrement humide ou lors de longues périodes d'arrêt, de l'humidité s'accumule dans les thermoplongeurs. Il s'agit d'un phénomène physique et non d'un défaut de fabrication. L'humidité des thermoplongeurs peut provoquer le déclenchement du disjoncteur. Dans ce cas, contactez un électricien qualifié pour le dépannage (voir chapitre **9. Dépannage par le monteur**).



Faites chauffer le poêle de sauna toutes les 5 à 6 semaines pendant env. 15 minutes. Vous évitez ainsi que de l'eau ne s'accumule dans les thermoplongeurs lors de longues périodes d'arrêt.

### **7.2. Nettoyage du poêle de sauna**

Veillez à ce que les ouvertures de ventilation soient exemptes de peluches et de poussières. Vous évitez ainsi que la circulation de l'air dans le poêle de sauna soit limitée et que l'appareil chauffe excessivement.

### 7.3. Remplacement des pierres à sauna

Les pierres à sauna sont très sollicitées par les produits utilisés pour l'arrosage et les importantes différences de température survenant lors de l'utilisation. Les pierres à sauna peuvent être attaquées et devenir cassantes.

Contrôlez les pierres à sauna à intervalles réguliers et remplacez les pierres au moins une fois par an.



#### **AVERTISSEMENT**

##### ***Risque d'incendie dû à la surchauffe***

Si le poêle de sauna est utilisé sans pierres à sauna, les parois de la cabine chauffent fortement. Cela peut provoquer des incendies.

- NE mettez JAMAIS le poêle de sauna en marche sans pierres à sauna.

- 
1. Retirez les anciennes pierres à sauna.
  2. Nettoyez le réservoir de pierres pour retirer les dépôts de calcaire, la poussière et autres impuretés.
  3. Avant utilisation, nettoyez soigneusement les pierres à sauna à l'eau à l'aide d'une brosse. N'utilisez pas de produits de nettoyage.
  4. Avant de les placer dans le poêle de sauna, vérifiez que les pierres ne comportent pas de corps étrangers et retirez les restes d'emballage.
  5. Placez les pierres à sauna dans le réservoir de pierres. Disposez les pierres à sauna sans les serrer, afin que l'air puisse passer entre les interstices.
  6. Veillez à ce que les pierres à sauna ne dépassent pas du bord du réservoir de pierres.

### 7.4. Nettoyage du conteneur de l'évaporateur

Videz et nettoyez le conteneur de l'évaporateur après chaque utilisation. Pour cela, suivez les étapes suivantes :

1. Attendez que l'eau ait refroidi dans l'évaporateur.
2. Placez un récipient de récupération sous le robinet à boisseau sphérique situé au fond de l'évaporateur.
3. Tournez le robinet à boisseau sphérique vers la gauche jusqu'à ce que l'eau résiduelle s'écoule.
4. Lorsque le conteneur de l'évaporateur est vide, fermez le robinet à boisseau sphérique.

5. Retirez le bol en céramique et l'entonnoir à tuyau de vapeur.
6. Nettoyez le conteneur de l'évaporateur et l'entonnoir à tuyau de vapeur avec une brosse à poils en plastique. Rincez à l'eau.
7. Remplacez le bol en céramique et l'entonnoir à tuyau de vapeur.

## 7.5. Nettoyage du bol en céramique

Nettoyez le bol en céramique pour herbes et essences au besoin dans le lave-vaisselle.

## 7.6. Détartrage du conteneur de l'évaporateur

Détartrez le conteneur de l'évaporateur si besoin. Pour ce faire, utilisez un détartrant pour appareils ménagers. Conformez-vous aux prescriptions et aux consignes de sécurité du fabricant.

1. Préparez la solution de détartrage selon les indications du fabricant.
2. Remplissez l'évaporateur de la solution de détartrage jusqu'à la marque du maximum.
3. Laissez la solution de détartrage bouillir pendant 10 minutes.
4. Attendez que la solution de détartrage ait refroidi dans l'évaporateur.
5. Placez un récipient de récupération sous le robinet à boisseau sphérique situé au fond de l'évaporateur et videz le conteneur de l'évaporateur.
6. Rincez le conteneur de l'évaporateur 2 fois à l'eau du robinet.

FR

## 8. Élimination



- Éliminez les matériaux d'emballage conformément aux directives en vigueur relatives à l'élimination.
- Les appareils usagés contiennent des matériaux recyclables, mais aussi des substances toxiques. Par conséquent, ne jetez en aucun cas votre appareil usagé avec les déchets ménagers. Éliminez-le conformément aux directives locales en vigueur.

## 9. Dépannage par le monteur

### Chauffage des thermoplongeurs

En cas d'humidité ambiante ou de longues périodes d'arrêt, de l'humidité peut s'accumuler dans les thermoplongeurs. Il s'agit d'un phénomène physique et non d'un défaut de fabrication. L'humidité des thermoplongeurs peut éventuellement provoquer le déclenchement du disjoncteur.

Dans ce cas, il est nécessaire de faire chauffer le poêle de sauna sous la surveillance d'un électricien qualifié. Pendant cette procédure, la fonction de protection du disjoncteur doit être hors service. La procédure de chauffage prend env. 10 minutes. La fonction de protection du disjoncteur doit ensuite être rétablie.

Si le problème persiste, adressez-vous à votre fournisseur.

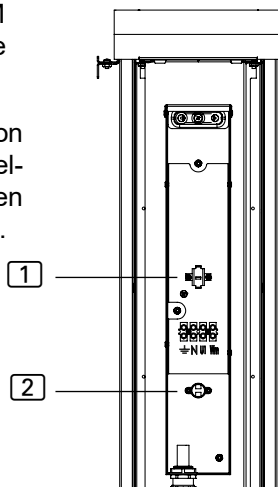
### Réinitialisation du dispositif de protection contre la surtempérature de l'évaporateur

Le commutateur de température [2] assure la fonction de détection du manque d'eau.

Lorsqu'un certain niveau d'eau est dépassé dans le réservoir de l'évaporateur (env. 1 l), le commutateur de température désactive le thermoplongeur. Simultanément, le retour vers l'appareil de commande WM prend la valeur de 0 V ; le message « FILL » s'affiche sur l'appareil de commande.

Le dispositif de protection thermique [1] sert de protection contre la surtempérature. Il doit être réinitialisé manuellement. Pour cela, appuyez sur le contact métallique en saillie au centre du dispositif de protection thermique.

- [1] Dispositif de protection thermique 150 °C (sans réinitialisation automatique)
- [2] Commutateur de température à réinitialisation automatique 110 °C



## 10. Caractéristiques techniques

Reportez-vous à la **Fig. 13** pour consulter les dimensions.

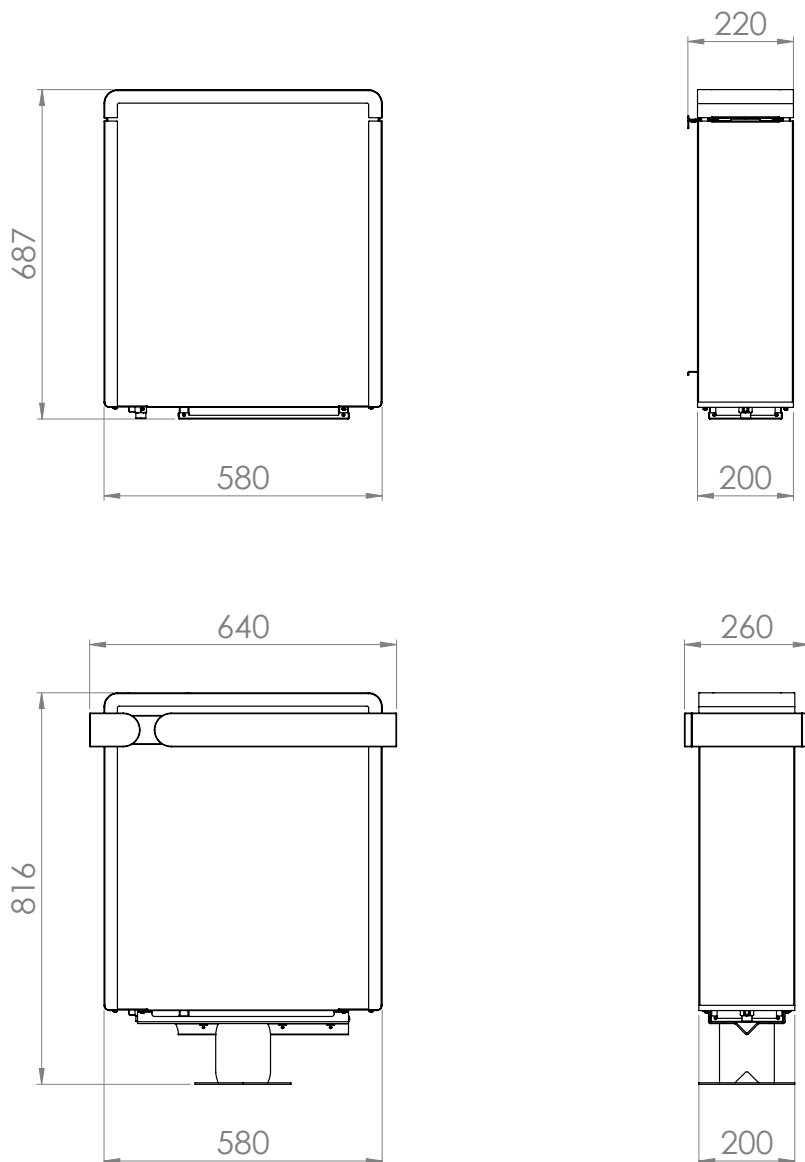
Référence	Puis- sance [kW]	Puissance de l'évapo- rateur [kW]	Volume de la ca- bine [m <sup>3</sup> ]	Quantité de pierres [kg]	Poids sans pierres [kg]
CP-RMC-35	3,5	1,0	3 - 5	Env. 15	29,5
CP-RMC-45	4,5	1,0	4 - 6	Env. 15	29,5
CP-RMC-60	6,0	1,0	5 - 8	Env. 15	29,5
CP-RMC-75	7,5	1,5	7 - 11	Env. 15	29,5

Référence	Taille minimale de l'ouverture de ventilation [mm]	Fusible [A]	Alimentation
CP-RMC-35	350 x 20	3 x 10	400 V CA 3N~ 50/60 Hz 230 V CA 1N~ 50/60 Hz
CP-RMC-45	350 x 25	3 x 10	400 V CA 3N~ 50/60 Hz 230 V CA 1N~ 50/60 Hz
CP-RMC-60	350 x 30	3 x 10	400 V CA 3N~ 50/60 Hz 230 V CA 1N~ 50/60 Hz
CP-RMC-75	350 x 35	3 x 16	400 V CA 3N~ 50/60 Hz 230 V CA 1N~ 50/60 Hz

Référence	Éléments chauffants	Évaporateur Éléments chauffants
CP-RMC-35	3 x CPRM115 (1-043-621)	1 x 1-052-801
CP-RMC-45	3 x SCA150 (1-028-518)	
CP-RMC-60	3 x SCA200 (1-028-503)	1 x 1-052-800
CP-RMC-75	3 x CPRM250 (1-042-346)	

FR

**Fig. 12** Dimensions des Concept R mini combi  
3,5 kW, 4,5 kW 6,0 kW et 7,5 kW  
(CP-RMC-35/CP-RMC-45/CR-RMC-60/CP-RMC-75)  
Dimensions en mm





# Bastuaggregat

## Concept R mini combi

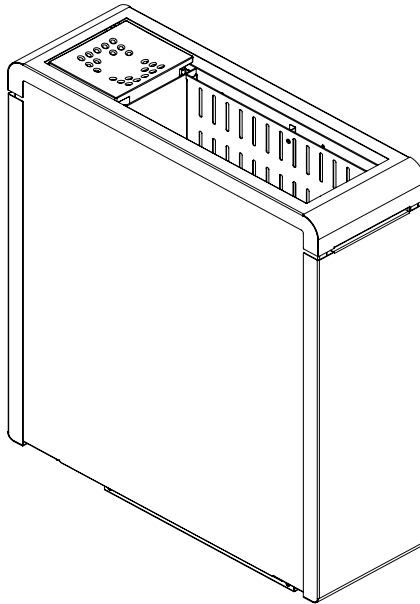
CP-RMC-35/1-041-405: Concept R mini combi 3,5 kW

CP-RMC-45/1-041-406: Concept R mini combi 4,5 kW

CP-RMC-60/1-041-407: Concept R mini combi 6,0 kW

CP-RMC-75/1-041-408: Concept R mini combi 7,5 kW

### MONTERINGS- OCH BRUKSANVISNING Svenska



SV

# Innehållsförteckning

<b>1. Om monterings- och bruksanvisningen</b>	<b>4</b>
<b>2. Viktig säkerhetsinformation</b>	<b>5</b>
2.1. Ändamålsenlig användning	5
2.2. Säkerhetsanvisningar för installatören	6
2.3. Säkerhetsanvisningar för användaren	7
<b>3. Produktbeskrivning</b>	<b>9</b>
3.1. Leveransomfattning	9
3.2. Tillbehör	9
3.3. Funktioner	9
<b>4. Installation och anslutning</b>	<b>10</b>
4.1. Uppställningsplats och givarposition	10
4.2. Säkerhetsavstånd	11
4.3. Montering på väggen	12
4.4. Montering med stativfot (tillval)	14
4.5. Kopplingsschema för 400 V 3N~	16
4.6. Kopplingsschema för 230 V 1N~	17
4.7. Elscheman	18
4.8. Elanslutning	19
4.9. Montering av kantribban för bastuaggregat (tillval)	20
<b>5. Driftstart</b>	<b>23</b>
5.1. Fylla på stenkorgen	23
5.2. Sätta in keramikskålen	23
5.3. Den första uppvärmningen	24

<b>6. Användning</b>	<b>25</b>
6.1. Finsk bastu.....	25
6.2. Kombidrift.....	26
<b>7. Underhåll</b>	<b>28</b>
7.1. Längre användningsuppehåll.....	28
7.2. Rengöring av bastuaggregatet.....	28
7.3. Byta bastustenar.....	29
7.4. Rengöring av förångarbehållaren .....	29
7.5. Rengöring av keramikskålen.....	30
7.6. Avkalkning av förångarbehållaren.....	30
<b>8. Avfallshantering</b>	<b>30</b>
<b>9. Felavhjälpning utförd av installatören</b>	<b>31</b>
<b>10. Tekniska data</b>	<b>32</b>

# 1. Om monterings- och bruksanvisningen

Läs hela monterings- och bruksanvisningen noga och förvara den sedan i närheten av bastun. Du kan då när som helst läsa de specifika säkerhets- och användningsanvisningarna.



Den här monterings- och bruksanvisningen kan även laddas ner från vår webbsida, [www.sentiotec.com/downloads](http://www.sentiotec.com/downloads).

## Symboler och varningar

I den här monterings- och bruksanvisningen används olika varningssymboler vid avsnitt som beskriver situationer som kan medföra fara eller risker av olika slag. Dessa varningar ska alltid beaktas. På så sätt undviker man sakskador och personskador, som i värsta fall kan ha dödlig utgång.

Följande signalord används:



### **FARA!**

Om de här varningarna/anvisningarna inte följs kan det leda till allvarliga eller livsfarliga skador.



### **VARNING!**

Om de här varningarna/anvisningarna inte följs kan det leda till allvarliga eller livsfarliga skador.



### **FÖRSIKTIGHET!**

Om de här varningarna/anvisningarna inte följs kan det leda till lindriga skador.

### **VARNING!**

Varnar för sakskador.

## Övriga symboler



Används vid tips och nyttig information.



Täck inte över!



Läs bruksanvisningen

## 2. Viktig säkerhetsinformation

Bastuaggregatet Concept R mini combi har konstruerats och tillverkats enligt vedertagna säkerhetstekniska regler. Det kan ändå uppstå vissa risker under användningen. Följ alltid nedanstående säkerhetsanvisningar och observera de särskilda varningarna i resp. kapitel.

### 2.1. Ändamålsenlig användning

Concept R mini combi är ett bastuaggregat med inbyggd förångare. Concept R mini combi får endast användas för uppvärmning av basturum och för höjning av luftfuktigheten i bastun. Bastuaggregatet Concept R mini combi får endast användas i kombination med en styrenhet utan fjärrstartfunktion.

Bastuaggregatet Concept R mini combi får endast användas tillsammans med en styrenhet med fjärrstartfunktion om det samtidigt installeras en anordning för säkerhetsavstängning.

Bastuaggregatet Concept R mini combi får endast användas i allmänna bastur när det kombineras med säkerhetsavstängningen, som kan beställas som tillval.

All annan användning betraktas som ej ändamålsenlig. Ej ändamålsenlig användning kan leda till skador på produkten och innebära risk för allvarliga eller livsfarliga skador.

SV

### 2.2. Säkerhetsanvisningar för installatören

- Bastuaggregatet får endast installeras och anslutas i spänningslöst tillstånd.
- Montering/installation får endast utföras av elektriker.
- På plats ska en allpolig fränkskiljare med komplett avstängning enligt överspänningskategori III installeras.
- Använd endast silikonkablar med värmetålighet upp till 150 °C för anslutning av bastuaggregatet.
- Installera endast ett bastuaggregat i varje basturum. Bastuaggregatet Concept R mini combi får inte användas i ett basturum tillsammans med andra bastuaggregat.

- Bastuns väggar och tak ska vara tillverkade av obehandlat eller termiskt behandlat trä med låg hartshalt, t.ex. nordisk gran, hemlock, tall eller ädelgran, eller av flerskikts träskivor. Om flerskikts träskivor används får limmet inte innehålla formaldehyd. Om andra material än trä används i bastun måste de vara värme- och korrosionsbeständiga och får inte utgöra någon hälsorisk för bastubadarna.
- Basturummet ska ha minst 1,64 meters takhöjd.
- Beakta uppgifterna om volym och ventilation av basturummet i kapitel **10. Tekniska data**.
- Observera min. avstånden vid installation av bastuaggregatet (se kapitel **4.2. Säkerhetsavstånd**).
- Följ gällande lokala bestämmelser.
- Om det uppstår problem som inte beskrivs tillräckligt detaljerat i monteringsanvisningarna, vänd dig, för din egen säkerhets skull, till leverantören/återförsäljaren.

### **2.3. Säkerhetsanvisningar för användaren**

- Barn under 8 år får inte använda utrustningen.
- Under följande förutsättningar får utrustningen användas av barn över 8 år, av personer med nedsatt psykisk, sensorisk eller mental förmåga och av personer som saknar erfarenhet och kunskap om liknande utrustningar:
  - under uppsikt.
  - när de har instruerats om säker användning och känner till vilka risker som kan uppstå.

- Utrustningen är ingen leksak. Barn får inte leka med den.
- Barn under 14 år får endast rengöra utrustningen under uppsikt.
- Av hälsoskäl bör man inte bada bastu när man är påverkad av alkohol, läkemedel eller droger.
- Använd aldrig bastuaggregatet utan bastustenar - det kan medföra brandrisk.
- Kontrollera att det inte finns några brännbara föremål på bastuaggregatet innan styrenheten slås på.
- Värm upp bastuaggregatet en halvtimme INNAN du ska använda bastun för första gången. Vistas INTE i basturummet under denna tid. Vädra därefter basturummet ordentligt (se **5.3. Den första uppvärmningen** på sidan **23**).
- Vidrör aldrig bastuaggregatet när det är igång. Bastuaggregatets yta och bastustenarna blir mycket varma.
- Häll ALDRIG vatten i den heta förångarbehållaren. Kontrollera och fyll på förångarbehållaren varje gång innan du startar kombiläget. Om överhettningsskyddet har stängt av förångarens värme, eller om styrenheten signalerar att det råder vattenbrist, låt förångaren svalna INNAN du håller i vatten i förångarbehållaren.
- Om det uppstår problem som inte beskrivs tillräckligt detaljerat i bruksanvisningen, vänd dig, för din egen säkerhets skull, till leverantören/återförsäljaren.

## 3. Produktbeskrivning

### 3.1. Leveransomfattning

- Bastuaggregat
- Monterings- och bruksanvisning

### 3.2. Tillbehör

<i>Tillbehör</i>	<i>Artikelnummer</i>
Uppsättning med hållare för kantribba till bastuaggregat Concept R mini combi	CP-RMC-HSR/1-041-410
Kantribba Concept R mini combi av trä, lind	CP-RMC-L/1-041-412
Kantribba Concept R mini combi av trä, valnöt	CP-RMC-N/1-041-411
Stativfot Concept R mini combi	CP-RMC-SF/1-041-409
Skydd stativfot Concept R mini lind	CP-RM-CSF-L/1-041-482
Skydd stativfot Concept R mini hassel	CP-RM-CSF-N/1-041-483

### 3.3. Funktioner

- **Finsk bastu:** vanligtvis 80 till 100 °C; ca 10 % rel. luftfuktighet
- **Kombiläge** (endast i kombination med en kombistyrenhet): ca 40 till 65 °C, 35 % till ca 70 % luftfuktighet. Den max. tillåtna luftfuktigheten blir lägre ju högre temperaturen är.

I kombiläget kan du lägga i doftämnen eller torkade örter i keramikskålen ovanför förångaren. Den uppstigande ångan frigör eteriska oljor ur örterna eller sprider doftämnena i basturummet.



## 4. Installation och anslutning

Observera följande punkter vid installation och anslutning av bastuaggregatet:



### **VARNING!**

#### **Risk för elektriska stötar**

- Montering/installation och anslutning av bastuaggregatet får endast göras i spänningslöst tillstånd.

- Elanslutningarna får endast utföras av utbildad elektriker.
- På plats ska en allpolig fränkskiljare med komplett avstängning enligt över-spänningskategori III installeras.
- Bastuaggregatet Concept R mini combi kan användas som väggmonterat eller fristående aggregat. Vid väggmontering ska man kontrollera att aggregatet sitter fast ordentligt på monteringslisten innan det används för första gången. Vid montering med stativfot ska man kontrollera att aggregatet står stadigt.

### 4.1. Uppställningsplats och givarposition

Montera aggregatet mitt framför luftintagets på bastuväggen. Observera säkerhetsavstånden till väggen som anges på **Bild 1**.

Montera temperaturgivaren med övertemperaturskydd på bastuväggen över bastuaggregatets mitt. Avståndet till bastuns tak ska vara 15 cm.

## 4.2. Säkerhetsavstånd

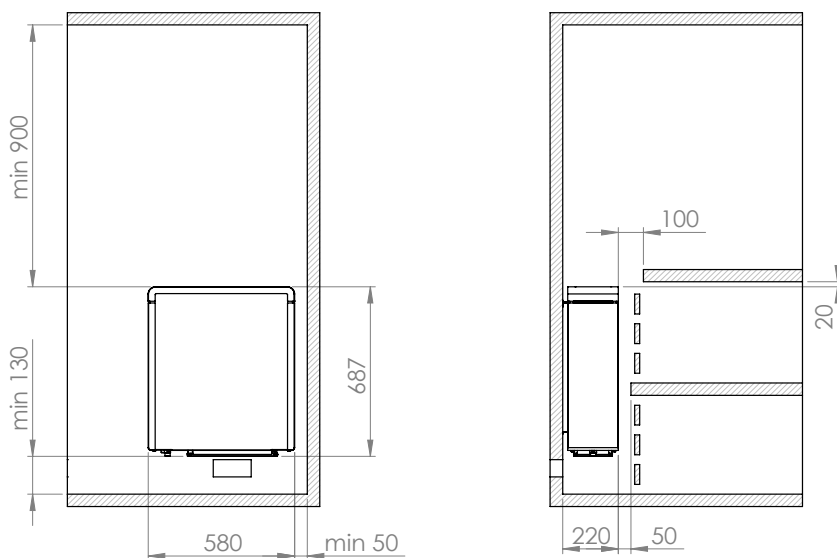
Beakta säkerhetsavstånden som anges på **Bild 1**.

### Bild 1 Säkerhetsavstånd

Concept R mini combi 3,5 kW, 4,5 kW, 6,0 kW och 7,5 kW

(CP-RMC-35/CP-RMC-45/CR-RMC-60/CP-RMC-75)

Mått i mm



### 4.3. Montering på väggen

Observera **bild 1**, **bild 2**, **bild 3** och **bild 4** (sidan **11**, **12**, **13**).

1. Fäst monteringslisten **1** vågrätt på väggen med medföljande träskruvar **2**. Observera min. avstånden till väggen, bild 1.
2. Skjut in aggregatet **3** uppifrån i monteringslisten. Se till att aggregatet sitter rakt och jämnt mot monteringslisten.
3. Fäst aggregatet **3** med medföljande låsskruv **4** på monteringslisten **1**.

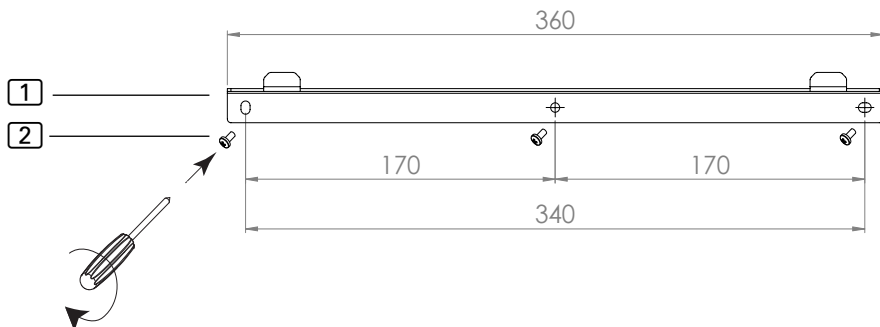


#### **VARNING!**

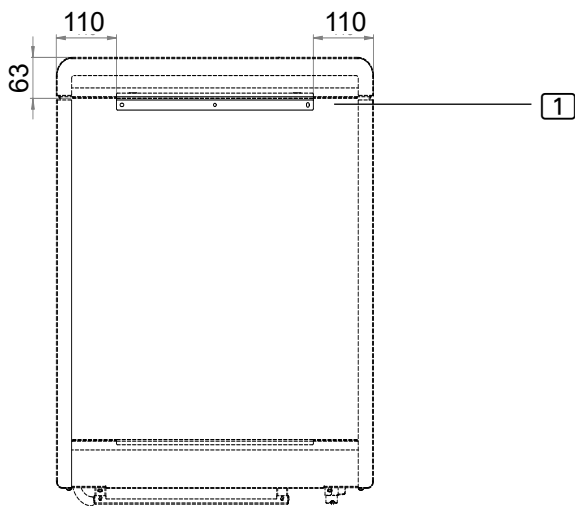
#### **Brandrisk**

- Fäst aggregatet med medföljande låsskruv **4** så att det sitter fast säkert och stabilt.

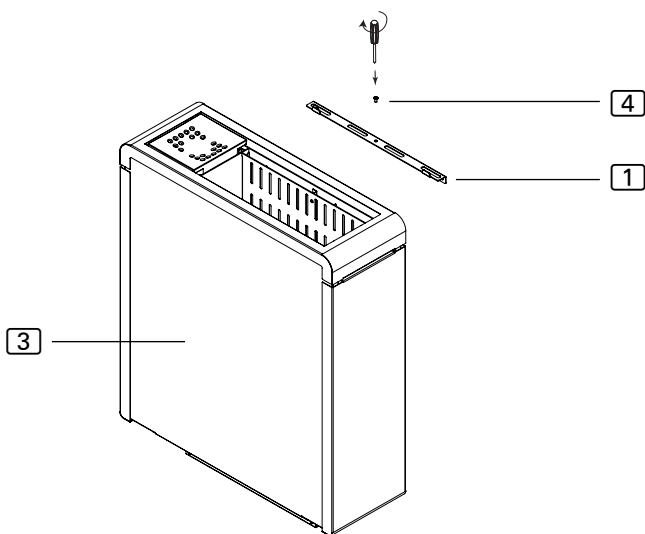
**Bild 2** Monteringslist Concept R mini combi  
Mått i mm



**Bild 3** Positionering av monteringslist Concept R mini combi  
Mått i mm



**Bild 4** Fastsättning Concept R mini combi (monteringslist)



#### 4.4. Montering med stativfot (tillval)

Observera **Bild 1**, **Bild 5**, **Bild 6** (sidan **10**, **13**, **14**).

1. Fäst stativfoten **1** med de medföljande skruvarna **2** på ugnens undersida. Observera att det runda uttaget måste vara på förångarsidan.
2. Fixera stativfoten i underlaget med de medföljande skruvarna (**Bild 6**). Beroende på golvetts beskaffenhet ska man använda de medföljande träskruvarna eller dyblarna med de tillhörande skruvarna. Observera minimiavstånden till aggregatet på **Bild 1**.

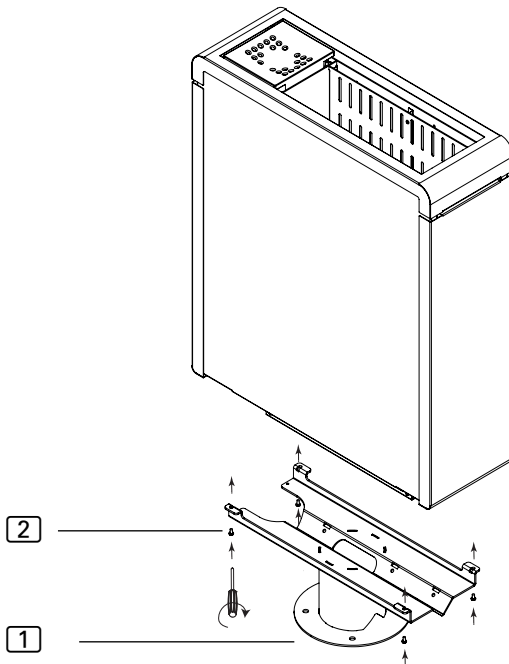


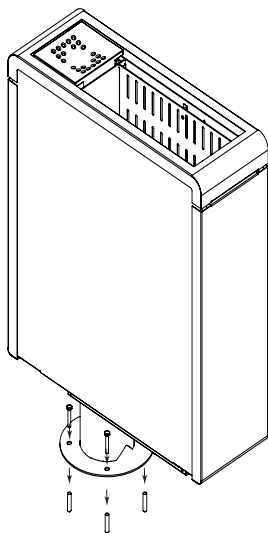
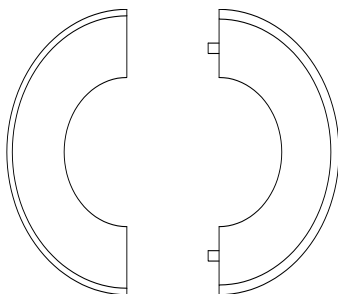
#### **VARNING!**

#### **Brandrisk**

- Fixera bastuaggregatet med stativfot direkt i ett tillräckligt stabilt underlag, t.ex. i det underlag som bastun har monterats i - **INTE** i bastuns inlagda golv.

**Bild 5** Montering av stativfoten på Concept R mini combi

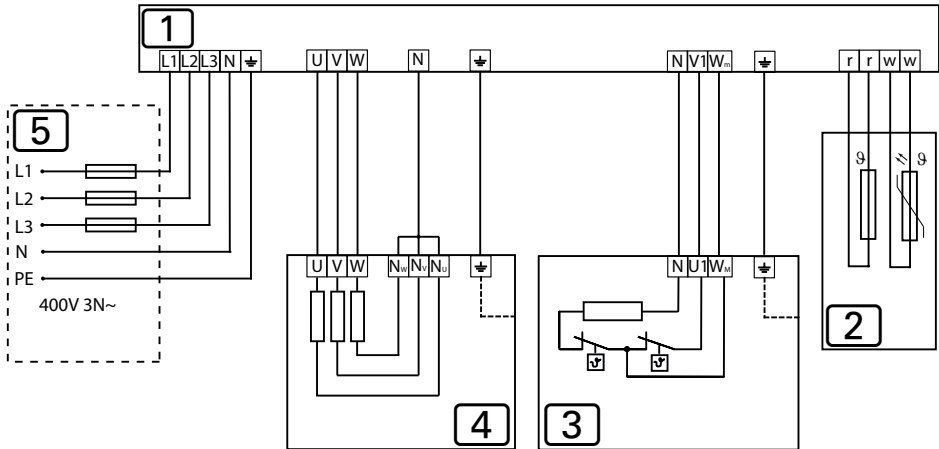


**Bild 6** Fixering av Concept R mini combi med stativfot**Bild 7** Montering av träskyddet för stativfoten (tillval)

Lägg skyddsringens båda delar kring stativfoten och tryck fast dem för att skydda stativfotens skruvar.

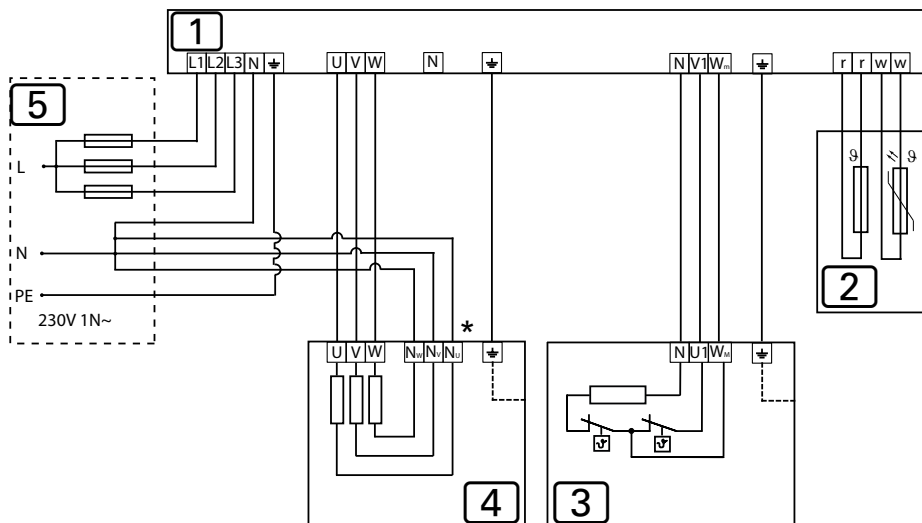
## 4.5. Kopplingschema för 400 V 3N~

**Bild 8** Kopplingschema för Concept R mini combi  
 3,5 kW, 4,5 kW, 6,0 kW och 7,5 kW  
 (CP-RMC-35/CPC-RM-45/CR-RMC-60/CP-RMC-75)



## 4.6. Kopplingsschema för 230 V 1N~

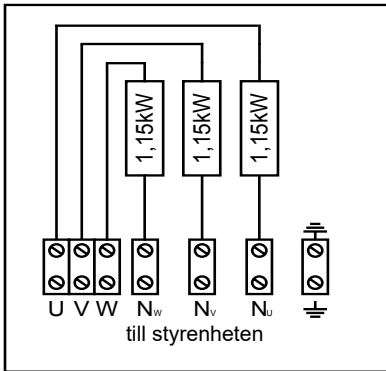
**Bild 9** Kopplingsschema för Concept R mini combi  
3,5 kW, 4,5 kW, 6,0 kW och 7,5 kW  
(CP-RMC-35/CPC-RM-45/CR-RMC-60/CP-RMC-75)



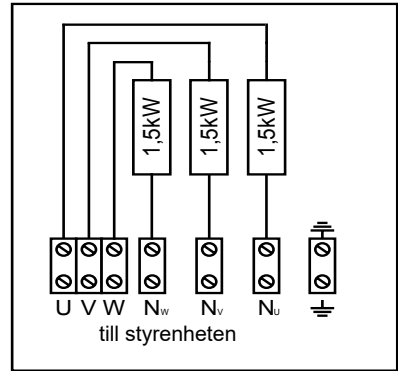
- 1 Styrenhet
  - 2 Temperaturgivare med övertemperaturskydd
  - 3 Förångare 1,0 kW eller 1,5 kW
  - 4 Värmesystem 3,45 kW, 4,5 kW, 6,0 kW eller 7,5 kW
  - 5 Strömförsörjning
- \* Borttagning av kopparbryggan



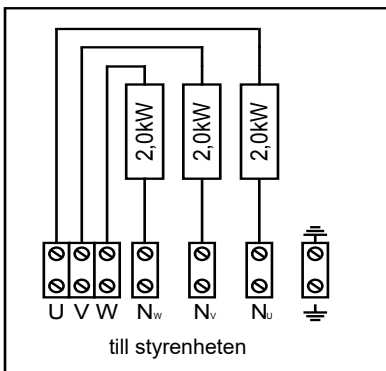
## 4.7. Elschema



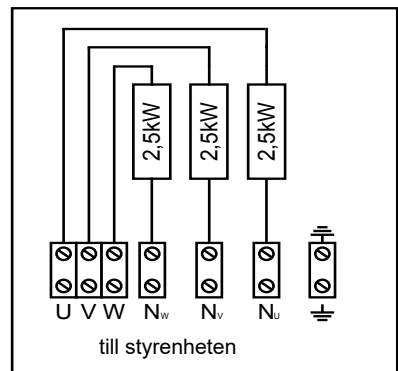
**CP-RMC-35**  
3,5 kW



**CP-RMC-45**  
4,5 kW



**CP-RMC-60**  
6,0 kW

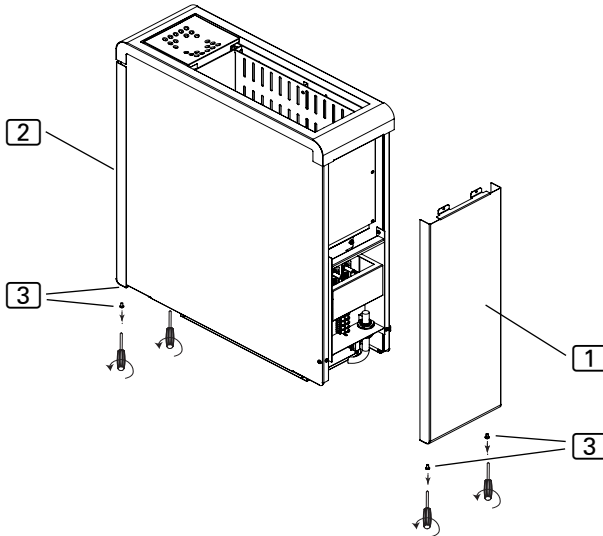


**CP-RMC-75**  
7,5 kW

## 4.8. Elanslutning

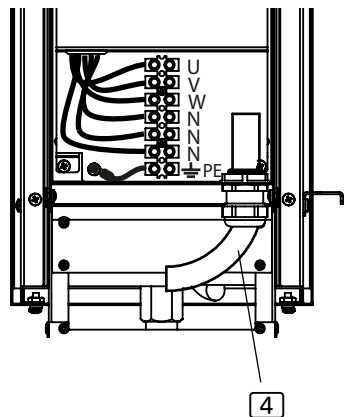
1. Lossa skruvarna **3** med en skruvmejsel.
2. Ta bort täckplåtarna **1** och **2**.

**Bild 10** Ta bort täckplåtarna

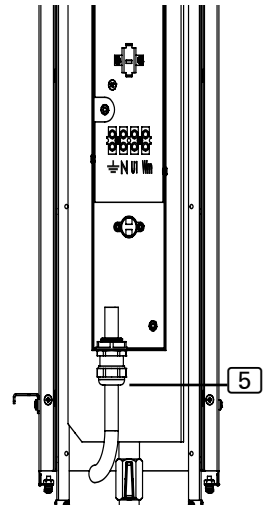


### **Anslutning för Concept R mini combi 3,5 kW, 4,5 kW, 6,0 kW och 7,5 kW** (CP-RMC-35/CP-RMC-45/CR-RMC-60/CP-RMC-75)

1. För anslutningskabeln för värmesystemet genom genomföringen **4**.
2. Anslut anslutningskabelns ledare, enligt anslutningstyp, till passande anslutningar på bastuaggregatet, och till passande anslutningar på styrenheten. Ta hänsyn till styrenhetens monteringsanvisning och kopplingschemana på sidan **15**.



3. Dra förångarkabeln genom genomföringen **5**.
4. Anslut förångarkabelns ledare till anslutningarna PE – N – U1 – Wm på anslutningslisten och till passande anslutningar på styrenheten. Läs styrenhetens monteringsanvisning.
5. Sätt tillbaka täckplåtarna **1** och **2** på bastuaggregatet eller återuppta arbetet med att montera kantribban för bastuaggregat (tillval).



#### 4.9. Montering av kantribban för bastuaggregat (tillval)

1. Ta bort keramikskålen från förångaren.
2. Ta bort täckplåtarna **1** och **2** enligt 4.8 på sidan 18 den nedanstående beskrivningen.

#### OBS!

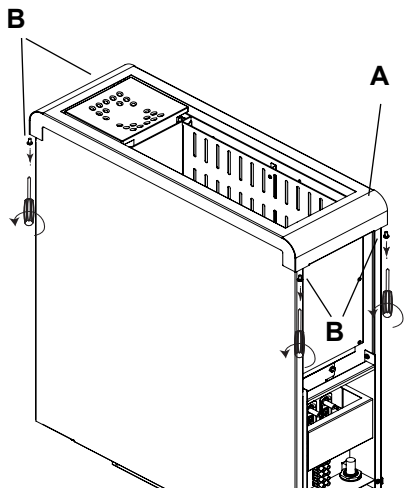
##### **Materiella skador på produkten**

Om man använder batteridrivna skruvdragare kan produkten skadas.

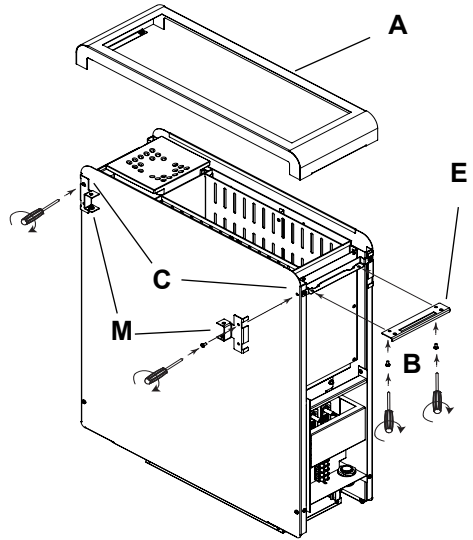
- Montera hållaren för kantribbor med en vanlig skruvmejsel.

SV

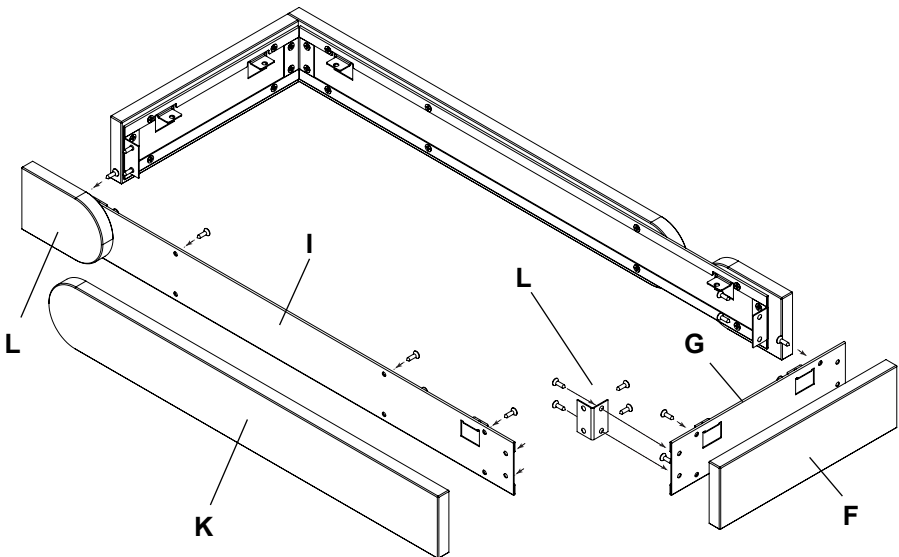
3. Lossa skruvarna **B** och ta bort skyddsramen **A**.



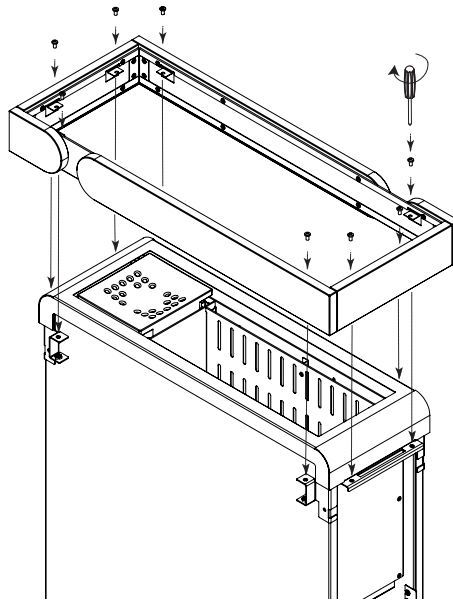
- Lossa skruvarna **C** och montera vinkel-kantribbsfästena **D**. Huruvida man behöver använda två eller fyra vinkel-kantribbsfästen har att göra med formen på kantribban för bastuaggregat.
- Montera kantribbsfästet **E** med skyddet **A**. Använd de lossade skruvarna **B** för att göra detta.



- Kantribban för bastuaggregat ska, beroende på krav, sättas ihop i L-, U- eller O-form. Använd de medföljande träskruvarna.



7. Skruva fast sidoskärmen för kantribban av trä **F** så att den är i jämnhöjd med sidoskärmen för fästet **G**. Vid behov upprepar du helt enkelt momentet på den motsatta sidan.
8. Använd hörnvinkeln **H** och förbind sidoskärmen för fäste **G** med den långa skärmen för fästen **I**. Vid behov upprepar du helt enkelt momentet på den motsatta sidan.
9. Skruva fast skärmen för långa kantribbor av trä **K** skärmen för korta kantribbor av trä **L** på skärmen för fästen **I**. Kontrollera att man uppnår jämnhöjd i förhållande till sidoskärmen för kantribbor av trä **F**.
10. Sätt på den färdigmonterade kantribban för bastuaggregat och fixera denna med de medföljande skruvarna med linsformat huvud. Vik försiktigt ned kantribban för bastuaggregatet över skyddet så att ovanytan inte blir repad.



## 5. Driftstart

### 5.1. Fylla på stenkorgen

**WARNING!*****Brandrisk på grund av överhettning***

Om bastuaggregatet används utan bastustenar blir bastuns väggar mycket varma. Detta kan orsaka eldsvåda.

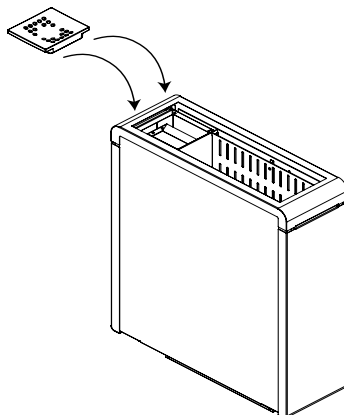
- Använd INTE bastuaggregatet utan bastustenar.

Passande mängd stenar för resp. aggregat anges i kapitel **10. Tekniska data** (se sidan **31**).

1. Rengör först bastustenarna noga med vatten och en borste. Använd inga rengöringsmedel.
2. Kontrollera om det finns främmande partiklar på stenarna och ta bort alla förpackningsrester innan de läggs in i bastuaggregatet.
3. Lägg bastustenarna i stenkorgen. Lägg i bastustenarna löst på varandra så att luften kan cirkulera mellan dem.
4. Se till att stenarna inte sticker ut ovanför stenkorgens kant.

### 5.2. Sätta in keramikskålen

- Sätt keramikskålen på förångarbehållaren enligt bilden till höger.



### 5.3. Den första uppvärmningen

**AKTA!****Rök- och luktutveckling vid den första uppvärmningen**

På nya värmestavar finns det rester från tillverkningsprocessen. Dessa bryts ner när bastuaggregatet värms upp för första gången. När detta sker bildas det rök och en obehaglig lukt. Inandning av röken och ångorna utgör en hälsofara.

Följ nedanstående anvisningar när du använder bastuaggregatet **för första gången** och när **värmestavarna i bastuaggregatet har bytts ut**. På det här sättet kan du undvika skadliga effekter av ångorna och röken som bildas vid den första uppvärmningen.

1. Värma upp värmestavar för första gången
  - a. Välj den högsta möjliga temperaturen på styrenheten till bastun.
  - b. Värm upp bastuaggregatet under en halvtimme.  
**Vistas INTE i basturummet under denna tid.**
2. Värma upp förångaren för första gången
  - a. Välj en låg temperatur och en hög luftfuktighet på styrenheten.
  - b. Värm upp förångaren med halva vattenmängden (se **Fylla på förångaren** på sidan **26**)  
**Vistas inte i bastun medan uppvärmningen pågår.**
  - c. Efter ca 15 minuter ska man stänga av styrenheten.
  - d. Låt förångaren svalna (ca en halvtimme).
  - e. Töm vattentanken (se **Fylla på förångaren** på sidan **26**)
  - f. Upprepa punkt 2.b.
  - g. Vädra bastun ordentligt efter den första uppvärmningen.
  - h. Om ingen rök eller lukt uppstår vid nästa uppvärmning kan du börja använda bastun.  
Om rök eller lukt uppstår, lämna omedelbart bastun. Upprepa den första uppvärmningen och vädra därefter bastun igen.

## 6. Användning



### **VARNING!**

#### **Brandrisk**

Brännbara föremål som ligger på det varma bastuaggregatet kan antändas och orsaka eldsvåda.

- Lägg ALDRIG brännbara föremål på bastuaggregatet.
- Kontrollera att det INTE finns några brännbara föremål på bastuaggregatet innan bastuaggregat sätts igång.

Bastuaggregatet styrs via en styrenhet. Användningen av styrenheten beskrivs i tillhörande bruksanvisning. Observera att bastuaggregatet Concept R mini combi endast är avsett för styrenheter utan fjärrstartfunktion.

### 6.1. Finsk bastu

Vid finsk bastu används endast värmesystemet. Bastun ger endast torr värme. Temperaturen i bastun är hög (80 till 100 °C). Fukthalten är låg, max. 10 %. Styrenheten används för att reglera temperaturen i bastun.

Man kan avsluta bastubadet med att hälla vatten på stenarna. Häll vatten på bastustenarna med en bastuskopa. Vattnet förångas och luften blir fuktigare i bastun.

Observera följande:

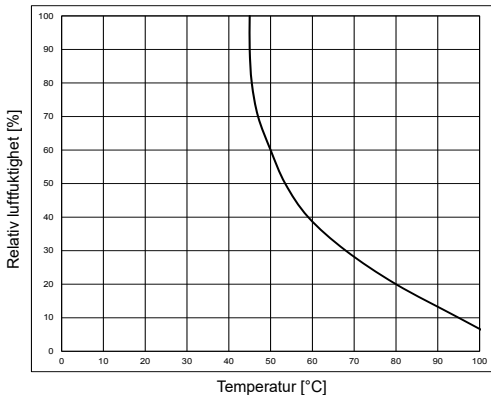
- Använd endast kranvatten. Saltvatten, starkt kalkhaltigt eller klorerat vatten kan leda till skador på bastuaggregatet.
- Använd endast doftämnen eller eteriska oljor som uttryckligen är avsedda för användning i bastu. Observera anvisningarna och uppgifterna på resp. förpackning.
- Häll inte vattnet för snabbt över bastustenarna. Om det hålls för snabbt över stenarna förångas det inte riktigt.



## 6.2. Kombidrift

I kombiläget används både värmesystemet och förångaren. Temperaturen i bastun är lägre än vid finsk bastu (ca 40 till 65 °C), men den relativa luftfuktigheten är betydligt högre, mellan 35 % och 70 %. Den max. tillåtna luftfuktigheten blir lägre ju högre temperaturen är. Temperaturen och luftfuktigheten i bastun regleras av styrenheten.

**Bild 11** Temperaturkurva/relativ luftfuktighet (enligt EN60335-2-53)



Det är endast möjligt att genomföra inställningar till vänster under kurvan. Om värdet t.ex. är 60 % kan man inte ställa in temperaturen på mer än 50 °C.

Förångarbehållaren måste fyllas på manuellt. Om vattnet i förångarbehållaren tar slut stänger överhettningsskyddet automatiskt av förångarens värme. Vattenbristen signaleras till styrenheten som indikerar detta t.ex. genom en ljudsignal och meddelandet "FILL".

SV

### OBS!

#### **Risk för skador på förångaren**

Saltvatten, starkt kalkhaltigt eller klorerat vatten, örter, essenser eller doftämnen kan leda till skador på bastuaggregatet.

- Fyll endast på kranvatten i förångarbehållaren.
- Tillsätt inte örter, essenser eller doftämnen direkt i förångarbehållaren, utan använd keramikskålen ovanför förångaren.
- Avkalka förångaren med regelbundna mellanrum (se 7.6 på sidan 29).

**Fylla på förångaren****FÖRSIKTIGHET!****Skållningsrisk**

Om du häller vatten i den heta förångarbehållaren bildas det het ånga.

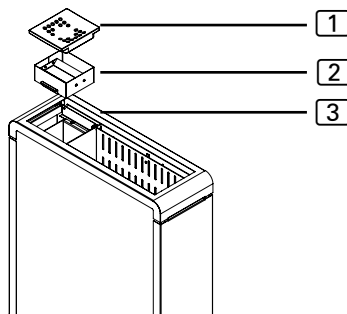
- Häll ALDRIG vatten i den heta förångarbehållaren.
- Kontrollera och fyll på förångarbehållaren varje gång innan du startar kombiläget.
- Om överhettningsskyddet har stängt av förångarens värme, eller om styrenheten signalerar att det råder vattenbrist, låt förångaren svalna INNAN du häller i vatten i förångarbehållaren.

**FÖRSIKTIGHET!****Skållningsrisk**

Om förångarbehållaren är överfylld sprutar kokande vatten ut ur förångarbehållaren.

- Fyll endast på förångarbehållaren till max-markeringen.

1. Ta bort keramikskålen **1** och förångartratten **2**.
2. Ställ ett uppsamlingskärl (på minst 5 liter) under kulventilen på förångarens botten.
3. Vrid kulventilen åt vänster tills det resterande vattnet rinner ut.
4. Stäng kulventilen när förångarbehållaren **3** är tom.
5. Fyll på förångarbehållaren till max-markeringen **3** med rent kranvatten. Det behövs ca 5 liter vatten. Med denna mängd kan man använda förångaren i ca 1 timme.
6. Sätt tillbaka keramikskålen **1** och förångartratten **2**.



## **Användning av doftämnen och örter**

Du kan lägga i doftämnen eller torkade örter i keramikskålen. Observera följande:

- Tillsätt inte doftämnen direkt i förångarbehållaren.
- Fyll på keramikskålen försiktigt så att doftämnena inte droppar ner i förångarbehållaren genom hålen i keramikskålen.
- Observera anvisningarna på förpackningarna till örterna och doftämnena.

## **7. Underhåll**

### **7.1. Längre användningsuppehåll**

Fuktiga omgivningar och långa användningsuppehåll leder till att fukt adsorberas i värmestavarna. Detta är ett fysikaliskt förlopp och inget tillverkningsfel. Fukten i värmestavarna kan leda till att jordfelsbrytaren löser ut. Låt i sådana fall en elektriker åtgärda felet (se kapitel **9. Felavhjälpning utförd av installatören**).



Värm upp bastuaggregatet i ca 15 minuter var 5:e till var 6:e vecka. På så sätt förhindrar man att fukt adsorberas i värmestavarna under längre användningsuppehåll.

### **7.2. Rengöring av bastuaggregatet**

Se till att det inte samlas ludd eller damm i ventilationsöppningarna. På så sätt förhindrar man att luftcirkulationen försämras i bastuaggregatet. Försämrade luftcirkulation kan leda till överhettning.

### 7.3. Byta bastustenar

Bastustenarna påverkas både av vätskan och av de stora temperaturskillnaderna som uppstår under användningen. De kan bli anfräta och spröda.

Kontrollera bastustenarna regelbundet och byt ut dem minst en gång om året.

**VARNING!*****Brandrisk på grund av överhettning***

Om bastuaggregatet används utan bastustenar blir bastuns väggar mycket varma. Detta kan orsaka eldsvåda.

- Använd INTE bastuaggregatet utan bastustenar.

1. Ta bort de gamla bastustenarna.
2. Avlägsna kalkavlagringar, damm och andra föroreningar från stenkorgen.
3. Rengör först bastustenarna noga med vatten och en borste. Använd inga rengöringsmedel.
4. Kontrollera om det finns främmande partiklar på stenarna och ta bort alla förpackningsrester innan de läggs in i bastuaggregatet.
5. Lägg bastustenarna i stenkorgen. Lägg i bastustenarna löst på varandra så att luften kan cirkulera mellan dem.
6. Se till att stenarna inte sticker ut ovanför stenkorgens kant.

### 7.4. Rengöring av förångarbehållaren

Töm och rengör förångarbehållaren efter varje användning. Gör på följande sätt:

1. Vänta tills vattnet i förångaren har svalnat.
2. Ställ ett uppsamlingskär under kulventilen på förångarens botten.
3. Vrid kulventilen åt vänster tills det resterande vattnet rinner ut.
4. Stäng kulventilen när förångarbehållaren är tom.

5. Ta bort keramikskålen och förångartratten.
6. Rengör förångarbehållaren och förångartratten med en borste med plastborst. Skölj med vatten.
7. Sätt tillbaka keramikskålen och förångartratten.

## 7.5. Rengöring av keramikskålen

Rengör vid behov keramikskålen för örter och essenser i en diskmaskin.

## 7.6. Avkalkning av förångarbehållaren

Avkalka förångarbehållaren efter behov. Använd ett avkalkningsmedel för hushållsapparater. Observera tillverkarens uppgifter och säkerhetsanvisningar.

1. Förbered avkalkningslösningen enligt tillverkarens uppgifter.
2. Fyll på avkalkningslösning i förångaren till max-markeringen.
3. Låt avkalkningslösningen koka i 10 minuter.
4. Vänta tills avkalkningslösningen i förångaren har svalnat.
5. Ställ en uppsamlingsbehållare under kulventilen på förångarens botten och töm förångarbehållaren.
6. Spola förångarbehållaren 2 gånger med kranvatten.

## 8. Avfallshantering



- Ta hand om förpackningsmaterialet enligt gällande bestämmelser.
- Enheterna innehåller både återanvändbart material och skadliga ämnen. Släng inte en uttjänt produkt i hushållssoporna, utan lämna den till återvinning enligt gällande bestämmelser.

## 9. Felavhjälpning utförd av installatören

### Uppvärmning och torkning av värmestavarna

Fuktiga omgivningar och långa användningsuppehåll kan leda till att fukt adsorberas i värmestavarna. Detta är ett fysikaliskt förlopp och inget tillverkningsfel. Fukten i värmestavarna kan i vissa fall leda till att jordfelsbrytaren löser ut.

I sådana fall ska bastuaggregatet värmas upp för torkning under uppsikt av en elektriker. FI-skyddsbrytarens skyddsfunktion ska då tas ur funktion. Uppvärmningen/torkningen tar ca 10 minuter. Därefter ska FI-skyddsbrytarens skyddsfunktion återställas igen.

Kontakta leverantören/återförsäljaren om problemet kvarstår efter detta.

### Återställa säkringen för övertemperatur i förångaren

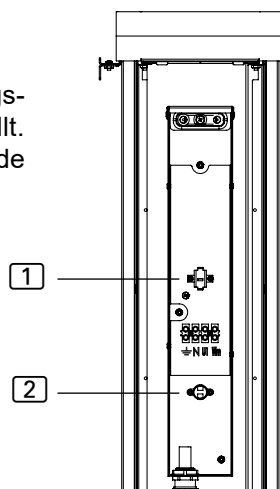
Temperaturbrytaren [2] fungerar även som indikering för vattenbrist.

Om en viss vattennivå i förångartanken underskrids (ca 1 l) stänger temperaturbrytaren av värmestaven. Samtidigt sjunker returflödet för styrenheten WM till 0 V. På styrenheten visas meddelandet "FILL".

Temperatursäkringen [1] fungerar som överhettningsskydd. Man måste återställa denna säkring manuellt. För att återställa ska man trycka på den framskjutande metallkontakten mitt på temperatursäkringen

[1] Temperatursäkring 150 °C  
(ej automatisk återställning)

[2] Temperaturbrytare med automatisk återställning 110 °C



## 10. Tekniska data

Måttangivelserna hittar man under **Bild 12**.

Artikel-nummer	Effekt [kW]	Effekt, förångare [kW]	Basturummets volym [m <sup>3</sup> ]	Stenmängd [kg]	Vikt utan stenar [kg]
CP-RMC-35	3,5	1,0	3–5	ca 15	29,5
CP-RMC-45	4,5	1,0	4–6	ca 15	29,5
CP-RMC-60	6,0	1,0	5–8	ca 15	29,5
CP-RMC-75	7,5	1,5	7–11	ca 15	29,5

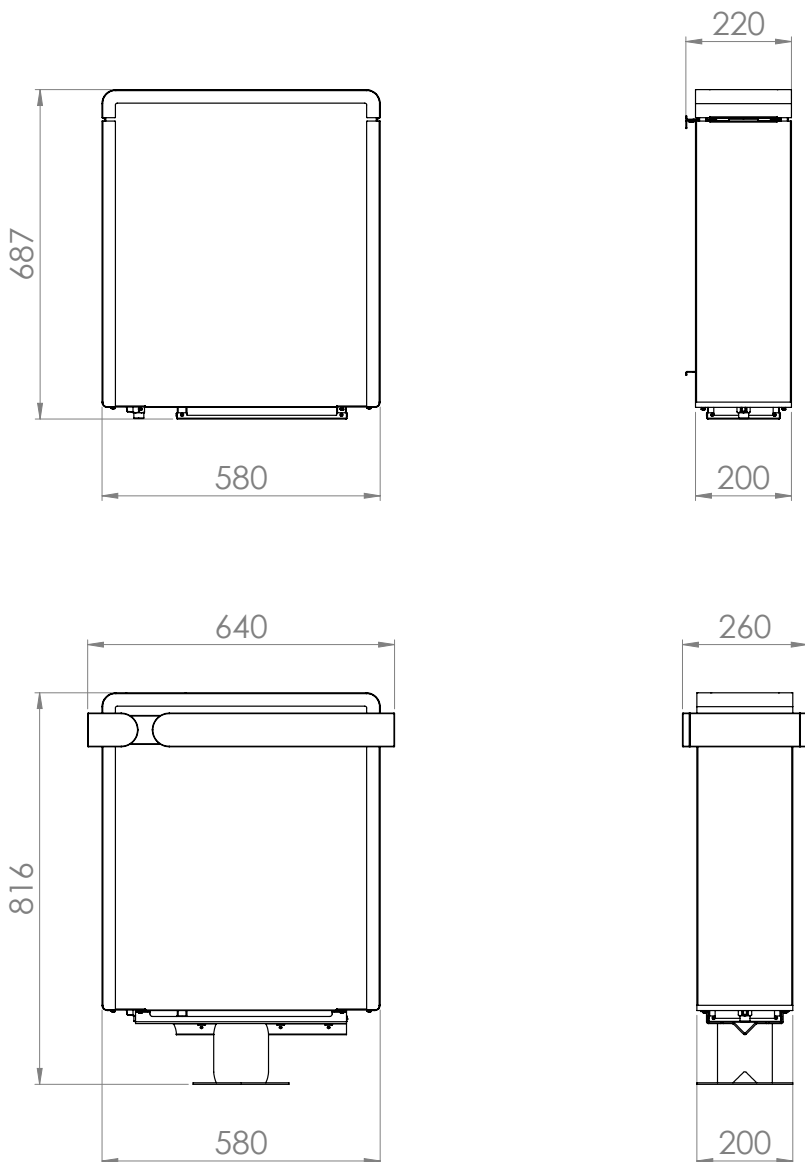
Artikel-nummer	Ventilationsöppningens min. storlek [mm]	Säkring [A]	Matningsspänning
CP-RMC-35	350 x 20	3 x 10	400 V AC 3N~ 50/60 Hz 230 V AC 1N~ 50/60 Hz
CP-RMC-45	350 x 25	3 x 10	400 V AC 3N~ 50/60 Hz 230 V AC 1N~ 50/60 Hz
CP-RMC-60	350 x 30	3 x 10	400 V AC 3N~ 50/60 Hz 230 V AC 1N~ 50/60 Hz
CP-RMC-75	350 x 35	3 x 16	400 V AC 3N~ 50/60 Hz 230 V AC 1N~ 50/60 Hz

SV

Artikel-nummer	Värmestavar	Extraförångare Värmestavar
CP-RMC-35	3 x CPRM115 (1-043-621)	
CP-RMC-45	3 x SCA150 (1-028-518)	1 x 1-052-801
CP-RMC-60	3 x SCA200 (1-028-503)	
CP-RMC-75	3 x CPRM250 (1-042-346)	1 x 1-052-800



**Bild 12** Mått för Concept R mini combi  
3,5 kW, 4,5 kW 6,0 kW och 7,5 kW  
(CP-RMC-35/CP-RMC-45/CR-RMC-60/CP-RMC-75)  
Mått i mm





# Combi Kiuas

## Concept R mini combi

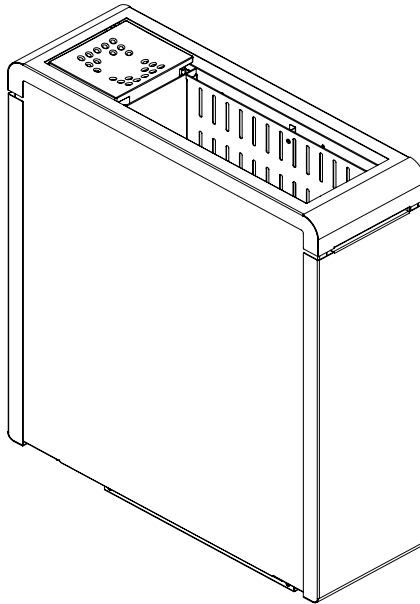
CP-RMC-35 / 1-041-405: Concept R mini combi 3,5 kW

CP-RMC-45 / 1-041-406: Concept R mini combi 4,5 kW

CP-RMC-60 / 1-041-407: Concept R mini combi 6,0 kW

CP-RMC-75 / 1-041-408: Concept R mini combi 7,5 kW

### ASENNUS- JA KÄYTTÖOHJEET Suomi



FI

# Sisällysluettelo

<b>1. Sananen näistä ohjeista</b>	<b>4</b>
<b>2. TÄRKEITÄ OHJEITA turvallisuutesi varmistamiseksi</b>	<b>5</b>
2.1. Käyttötarkoitus	5
2.2. Turvaohjeita asentajalle	5
2.3. Turvaohjeita käyttäjälle	7
<b>3. Tuotekuvaus</b>	<b>9</b>
3.1. Toimituskokonaisuus	9
3.2. Lisävarusteet	9
3.3. Tuotteen toiminnot	9
<b>4. Asennus ja liitäntä</b>	<b>10</b>
4.1. Sijoituspaikka ja anturin sijainti	10
4.2. Turvaetäisyydet	11
4.3. Asennus saunahuoneen seinään	12
4.4. Asennus jalustalla (valinnainen)	14
4.5. Liitäntäkaavio, malli 400V 3N~	16
4.6. Liitäntäkaavio, malli 230V 1N~	17
4.7. Johdotuskaaviot	18
4.8. Sähköliitäntä	19
4.9. Suojakaiteen asennus (valinnainen)	20
<b>5. Käyttöönotto</b>	<b>23</b>
5.1. Kivitiilan täyttäminen	23
5.2. Keraamisen astian asettaminen paikalleen	23
5.3. Ensimmäinen lämmityskerta	24

<b>6. Käyttö</b>	<b>25</b>
6.1. Suomalainen saunakäyttö.....	25
6.2. Yhdistelmäkäyttö.....	26
<b>7. Huolto</b>	<b>28</b>
7.1. Pidemmät käyttökatkokset.....	28
7.2. Kiukaan puhdistaminen.....	28
7.3. Kiuaskivien vaihtaminen.....	29
7.4. Höyrystimen säiliön puhdistaminen .....	29
7.5. Keraamisen astian puhdistaminen.....	30
7.6. Höyrystimen säiliön kalkinpoisto.....	30
<b>8. Hävittäminen</b>	<b>30</b>
<b>9. Asentajan ongelmanratkaisuja</b>	<b>31</b>
<b>10. Tekniset tiedot</b>	<b>32</b>

# 1. Sananen näistä ohjeista

Lue nämä asennus- ja käyttöohjeet huolellisesti läpi ja säilytä niitä saunan lähellä. Näin voit katsoa turvallisuuttasi sekä käyttöä koskevia tietoja milloin tahansa.



Asennus- ja käyttöohjeet saat myös Internet-sivujemme materiaalintausosiosta osoitteesta [www.sentiotec.com/downloads](http://www.sentiotec.com/downloads).

## Symbolit ja varoitukset

Näissä asennus- ja käyttöohjeissa annetaan varoitus ennen toimia, jotka muodostavat vaaratekijän. Näitä varoituksia on ehdottomasti noudatettava. Näin vältät esinevahingot ja loukkaantumiset, jotka pahimmassa tapauksessa voivat aiheuttaa jopa kuoleman.

Varoituksissa käytetään huomiosanoja, joiden merkitys on seuraava:



### VAARA!

Jos et noudata tätä varoitusta, seurauksena on kuolema tai vakava loukkaantuminen.



### VAROITUS!

Jos et noudata tätä varoitusta, seurauksena voi olla kuolema tai vakava loukkaantuminen.



### VARO!

Jos et noudata tätä varoitusta, seurauksena voi olla lievä loukkaantuminen.

## HUOMIO!

Tällä huomiosanalla varoitetaan esinevahingoista.

## Muut symbolit



Tällä symbolilla merkitään vinkit ja hyödylliset ohjeet.



Ei saa peittää!



Lue käyttöohjeet

## 2. TÄRKEITÄ OHJEITA turvallisuutesi varmistamiseksi

Concept R mini combi -kiuas on valmistettu hyväksytyjen turvallisuusteknisten ohjeiden mukaan. Käytön yhteydessä voi silti ilmetä vaaroja. Noudata siksi seuraavia turvaohjeita ja yksittäisissä luvuissa annettuja erityisiä varoituksia.

### 2.1. Käyttötarkoitus

Concept R mini combi on integroidulla höyrystimellä varustettu kiuas. Concept R mini combi -kiuasta saa käyttää ainoastaan saunatilojen lämmittämiseen ja ilmankosteuden nostamiseen saunahuoneessa. Concept R mini combi -kiuasta saa käyttää ainoastaan ohjauskeskuksella, jossa ei ole etäkäynnistys.

Muunlaisen käytön katsotaan poikkeavan tuotteen käyttötarkoituksesta. Tuotteen käyttötarkoituksesta poikkeava käyttö voi johtaa tuotteen vaurioitumiseen, vakaviin vammoihin tai kuolemaan.

### 2.2. Turvaohjeita asentajalle

- Kiukaan parissa tehtävät asennus- ja liitännätöet saa suorittaa vain silloin, kun kiuas ei ole kytkettynä virtalähteeseen.
- Vain sähköalan ammattilainen tai vastaavan pätevyuden omaava henkilö saa suorittaa asennuksen.
- Asiakkaan on järjestettävä ylijännitekategorian III mukainen kaikkinaipainen erotuslaite, joka takaa täyden katkaisun.
- Käytä kiukaan liittämiseen ainoastaan 150 °C kestäviä silikoni-johtoja.
- Asenna saunahuoneeseen ainoastaan yksi kiuas. Concept R mini combi -kiuasta ei saa käyttää samassa saunahuoneessa muiden kiukaiden kanssa.

- Saunahuoneen katto ja seinät on valmistettava pihkaamattomasta, käsittelemättömästä tai lämpökäsitellystä puusta, esim. kuusesta, hemlokista, männystä tai pihdasta tai kertopuumateriaaleista. Kertopuumateriaaleja käytettäessä on varmistettava, että niiden liimoista ei irtoa formaldehydiä. Jos saunahuoneessa käytetään muita materiaaleja kuin puuta, näiden materiaalien pitää kestää kuumuutta ja korroosiota, eikä niillä saa olla kielteistä vaikutusta saunojen terveyteen.
- Saunahuoneen korkeuden on oltava vähintään 164 cm.
- Huomaa saunahuoneen tilavuutta ja tuuletusta koskevat ohjeet kappaleessa **10. Tekniset tiedot**.
- Kiuasta sijoitettaessa on otettava huomioon vähimmäissuojajäätisyydet (katso kappale **4.2. Suojaetäisyydet**).
- Noudata myös sijoituspaikan paikallisia määräyksiä.
- Käänny oman turvallisuutesi vuoksi toimittajasi puoleen sellaisissa ongelmissa, joita ei käsitellä asennusohjeessa kyllin tarkasti.

### 2.3. Turvaohjeita käyttäjälle

- Alle 8-vuotiaat lapset eivät saa käyttää laitetta.
- Yli 8-vuotiaat lapset, fyysisiltä, sensorisilta tai henkisiltä kyvyiltään rajoittuneet henkilöt sekä henkilöt, joiden kokemus ja tiedot ovat puutteellisia, saavat käyttää laitetta seuraavin ehdoin:
  - jos he ovat valvonnan alaisia.
  - jos heille on näytetty turvallinen käyttö ja he ymmärtävät vaarat, joita voi syntyä.

- Lapset eivät saa leikkiä laitteella.
- Alle 14-vuotiaat lapset saavat puhdistaa laitteen vain valvonnan alaisina.
- Jätä saunominen terveydellisistä syistä väliin, jos olet alkoholin, lääkkeiden tai huumeiden vaikutuksen alaisena.
- Kiuasta ei saa koskaan käyttää ilman saunakiviä, muutoin voi syttyä tulipalo.
- Ennen kuin kytket kiukaan päälle, varmista, että kiukaalla ei ole tulenarkoja esineitä.
- Lämmitä kiuasta puoli tuntia ENNEN ensimmäistä saunomista. ÄLÄ oleskele tänä aikana saunahuoneessa. Tuuleta saunahuone loppuksi hyvin (katso **5.3. Ensimmäinen lämmityskerta** sivulla **23**).
- Älä koske kiukaaseen käytön aikana. Kiukaan pinta ja kivet kuumenevat hyvin voimakkaasti.
- ÄLÄ KOSKAAN kaada vettä kuumaan höyrytimen säiliöön. Tarkasta ja täytä höyrytinsäiliö aina ennen höyrytimen käyttöä. Anna höyrytimen jäähtyä ENNEN veden täyttämistä höyrytinsäiliöön, jos ylikuumenemissuoja on katkaissut höyrytimen lämmityksen tai jos ohjauskeskus ilmaisee vedenpuutteen.
- Käänny oman turvallisuutesi vuoksi toimittajasi puoleen sellaisissa ongelmissa, joita ei käsitellä käyttöohjeessa kyllin tarkasti.

## 3. Tuotekuvaus

### 3.1. Toimituskokonaisuus

- Kiuas
- Asennus- ja käyttöohjeet

### 3.2. Lisävarusteet

<i>Lisävarusteet</i>	<i>Tuotenumero</i>
Concept R mini combin pidikesarja suoja-kaidetta varten	CP-RMC-HSR / 1-041-410
Puukaide Concept R mini combi lehmus	CP-RMC-L / 1-041-412
Puukaide Concept R mini combi pähkinäpuu	CP-RMC-N / 1-041-411
Jalusta Concept R mini combi	CP-RMC-SF / 1-041- 409
Jalustan kate Concept R mini lehmus	CP-RM-CSF-L / 1-041482
Jalustan kate Concept R mini pähkinäpuu	CP-RM-CSF-N / 1-041-483

### 3.3. Tuotteen toiminnot

- **Suomalainen saunakäyttö:** yleensä 80-100 °C; suhteellinen ilmankosteus noin 10 %
- **Yhdistelmätoiminto** (ainoastaan yhdessä yhdistelmäohjauksen kanssa): noin 40...65 °C, ilmankosteus 35 % ... n. 70 %. Sallittu maksimi-ilmankosteus laskee lämpötilan noustessa.  
Yhdistelmätoiminnossa voit halutessasi lisätä tuoksuja tai kuivattuja yrtejä höyrytimen yläpuolella olevaan keraamiseen astiaan. Nouseva höyry vapauttaa yrteistä eteerisiä öljyjä tai levittää saunaan tuoksua.



## 4. Asennus ja liitäntä

Huomaa seuraavat kohdat, kun asennat ja liität kiuasta:



### **VAROITUS!**

#### **Sähköiskuvaara**

- Suorita kiukaan asennus- ja liitäntätyöt ainoastaan sen ollessa jännitteetön.

- Vain sähköalan ammattilainen tai vastaavan pätevyyden omaava henkilö saa suorittaa sähköliitännät.
- Asiakkaan on järjestettävä ylijännitekategorian III mukainen kaikkinaipainen erotuslaite, joka takaa täyden katkaisun.
- Concept R mini combi kiuas voidaan asentaa seinään tai jalustalle. Varmista ennen käyttöönottoa, että seinään kiinnitettävä kiuas on asennettu tukevasti asennuslistaan. Käytettäessä jalustaa on varmistettava, että kiuas seisoo tukevasti.

### 4.1. Sijoituspaikka ja anturin sijainti

Asenna kiuas keskelle saunahuoneen seinän ilmanottoaukkoja.

Noudata tällöin seinään pidettäviä suojaetäisyyksiä, ks. **Kuva 1**.

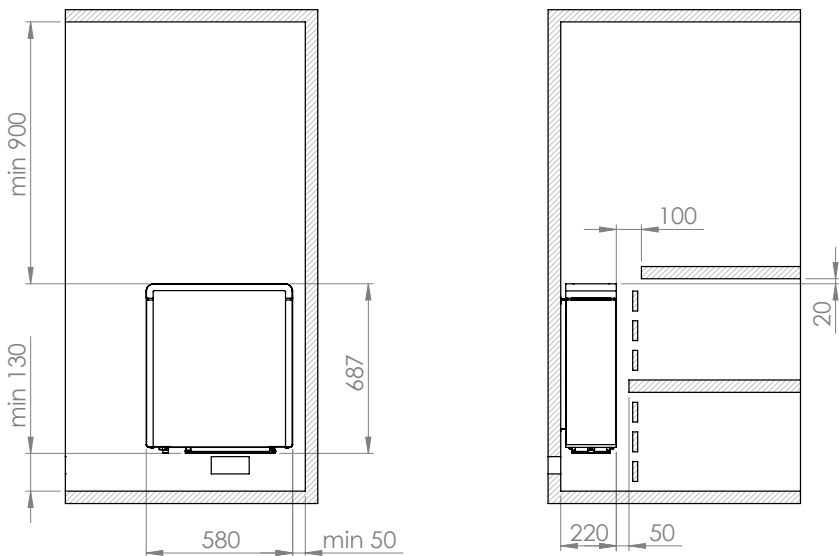
Asenna ylikuumenemissuojalla varustettu lämpötila-anturi saunahuoneen seinään, suoraan kiukaan yläpuolelle. Etäisyyttä saunahuoneen kattoon on oltava 15 cm.

## 4.2. Turvaetäisyydet

Ota vähimmäissuojaetäisyydet huomioon, ks. **Kuva 1**.

### **Kuva 1** Suojaetäisyydet

Concept R mini combi 3,5 kW, 4,5 kW, 6,0 kW ja 7,5 kW  
(CP-RMC-35 / CP-RMC-45 / CR-RMC-60 / CP-RMC-75)  
Mittayksikkö mm



### 4.3. Asennus saunahuoneen seinään

Huomaa **kuva 1**, **kuva 2**, **kuva 3** ja **kuva 4** (sivut **11**, **12**, **13**).

1. Kiinnitä asennuslista **1** seinään vaakasuoraan oheisilla puuruuveilla **2**. Huomaa tällöin kiukaan suojaetäisyydet kuvassa 1.
2. Aseta kiuas **3** asennuslistaan ylhäältä alaspäin. Varmista, että kiuas on samassa tasossa asennuslistan kanssa.
3. Kiinnitä kiuas **3** oheisella varmistusruuvilla **4** asennuslistaan **1**.

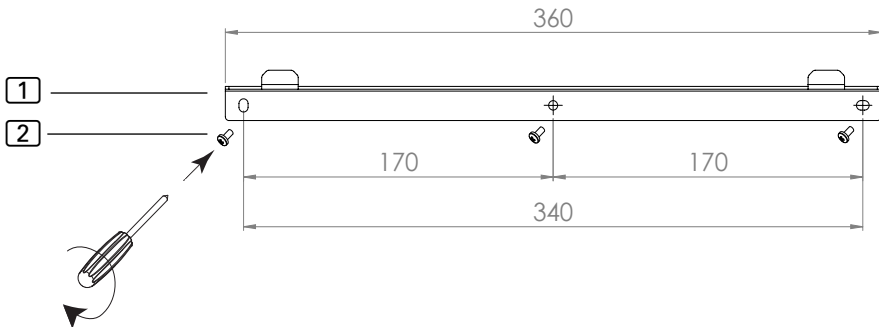


#### **VAROITUS!**

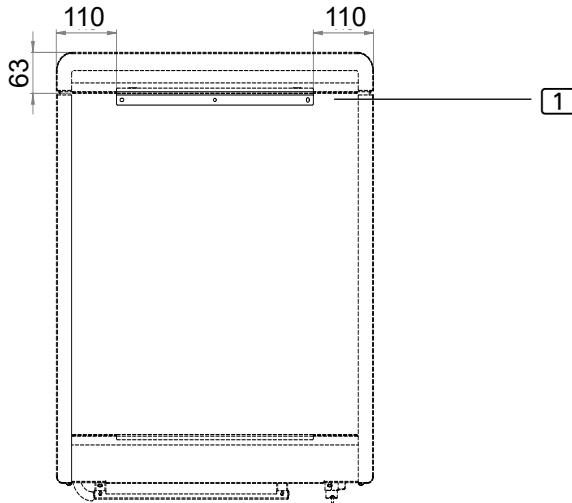
##### **Palovaara**

- Kiinnitä ja varmista kiuas oheisella varmistusruuvilla **4** niin, ettei se pääse liikauttamaan asennostaan.

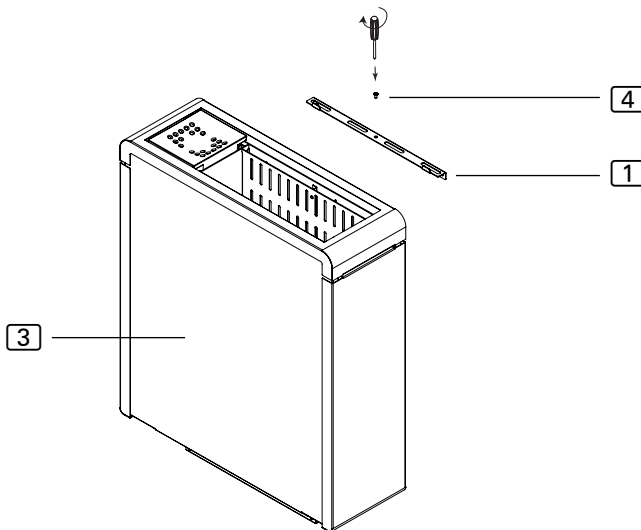
**Kuva 2** Asennuslista Concept R mini combi  
Mittayksikkö mm



**Kuva 3** Asennuslistan Concept R mini combi paikka  
Mittayksikkö mm



**Kuva 4** Concept R mini combi -kiukaan varmistus (asennuslista)



#### 4.4. Asennus jalustalla (valinnainen)

Huomaa **Kuva 1**, **Kuva 5**, **Kuva 6** (sivu 10, 13, 14).

1. Kiinnitä jalusta **1** oheisilla ruuveilla **2** kiukaan alapuolelle. Varmista, että pyöreä syvennys on höyrystimen puolella.
2. Kiinnitä jalusta oheisilla ruuveilla lattiaan (**Kuva 6**). Lattian ominaisuuksista riippuu, käytetäänkö oheisia puuruuveja vai proppuja ja niihin kuuluvia ruuveja. Huomaa tällöin kiukaan vähimmäisetäisyydet, ks. **Kuva 1**.

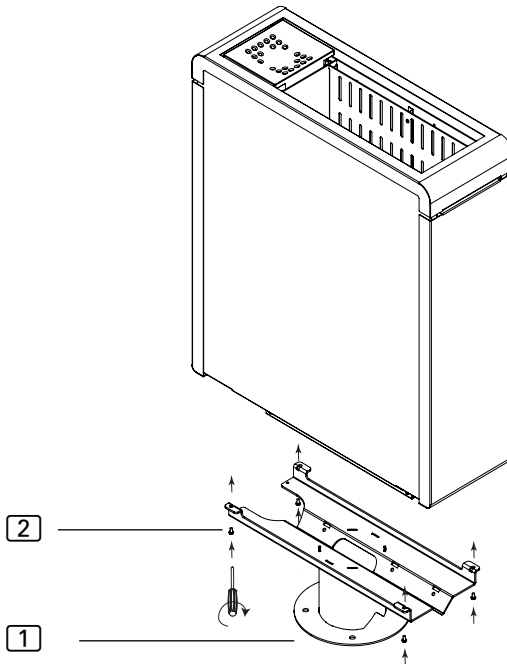


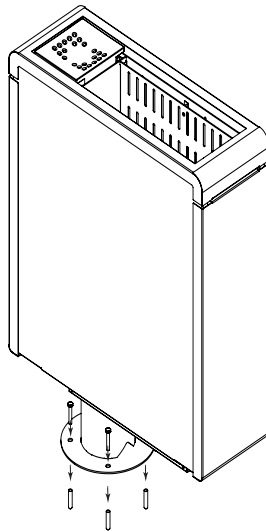
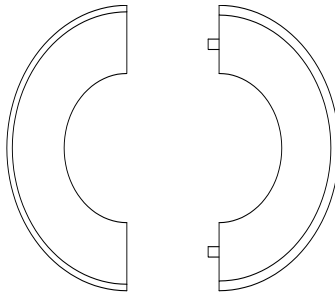
#### **VAROITUS!**

##### **Palovaara**

- Kiinnitä jalusta-asenteinen kiuas suoraan tarpeeksi kiinteään alustaan, esim. pohjaan, jolle saunahuone on rakennettu – Ei saunalattian päällysmateriaaliin.

**Kuva 5** Jalustan asennus Concept R mini combi

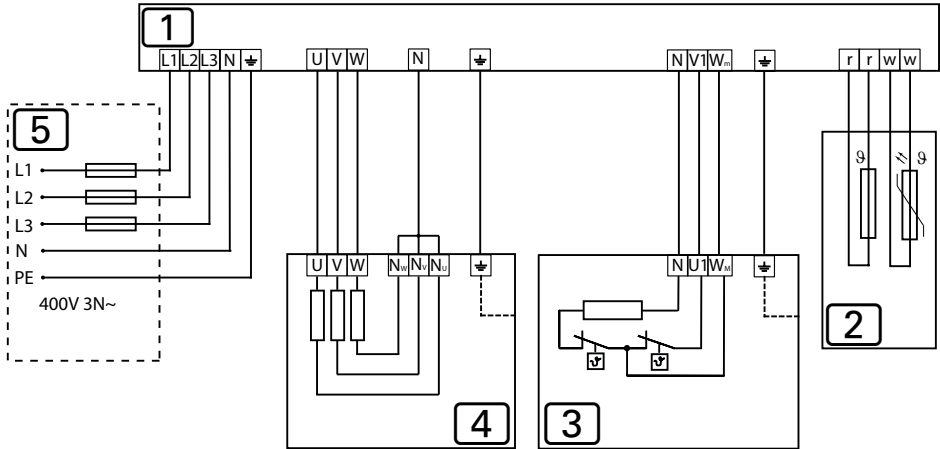


**Kuva 6** Concept R mini combi -kiukaan kiinnitys jalustalla**Kuva 7** Jalustan puukatteen asennus (valinnainen)

Peitä jalustan ruuvit asettamalla kaksi kätärenkaan puoliskoa jalustan ympärille ja painamalla ne tiukasti yhteen.

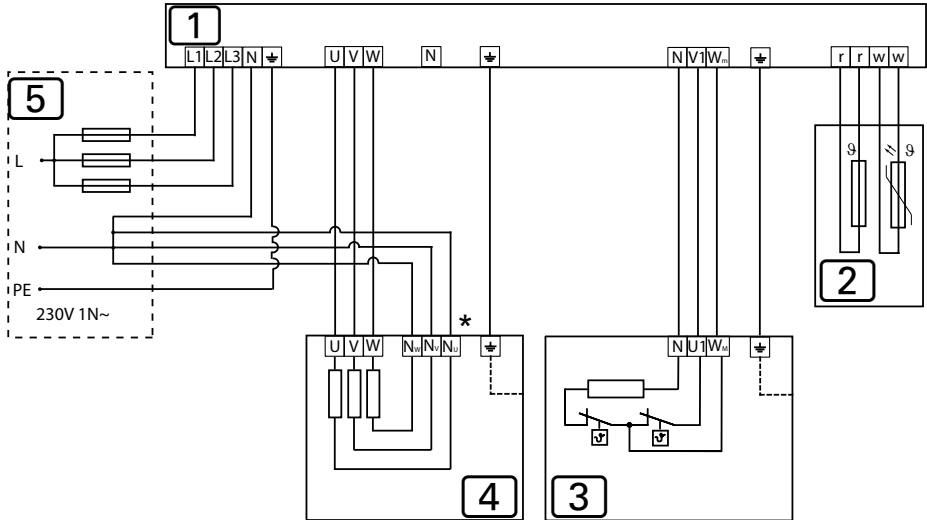
## 4.5. Liitântäkaavio, malli 400V 3N~

**Kuva 8** Liitântäkaavio Concept R mini combi  
 3,5 kW, 4,5 kW, 6,0 kW ja 7,5 kW  
 (CP-RMC-35 / CPC-RM-45 / CR-RMC-60 / CP-RMC-75)



## 4.6. Liitântäkaavio, malli 230V 1N~

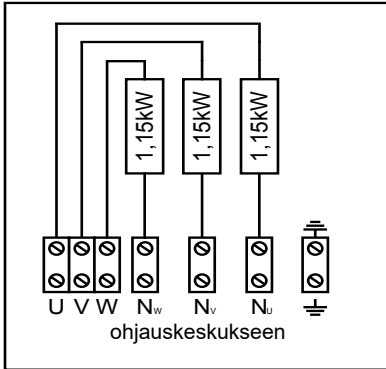
**Kuva 9** Liitântäkaavio Concept R mini combi  
3,5 kW, 4,5 kW, 6,0 kW ja 7,5 kW  
(CP-RMC-35 / CPC-RM-45 / CR-RMC-60 / CP-RMC-75)



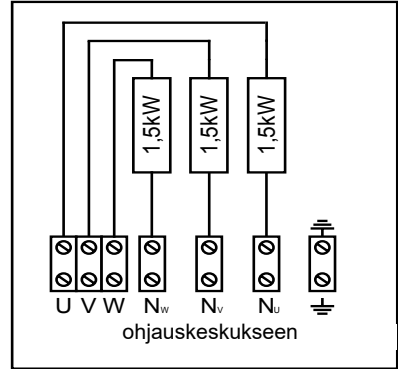
- 1 ohjauskeskus
  - 2 ylikuumentussuojalla varustettu lämpötila-anturi
  - 3 höyrystin 1,0 kW tai 1,5 kW
  - 4 lämmitysjärjestelmä 3,45 kW, 4,5 kW, 6,0 kW tai 7,5 kW
  - 5 sähkönsyöttö
- \* Kuparisilloituksen poistaminen



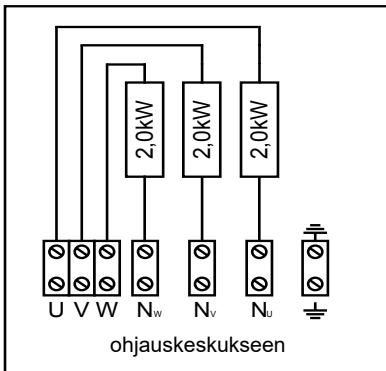
## 4.7. Johdotuskaaviot



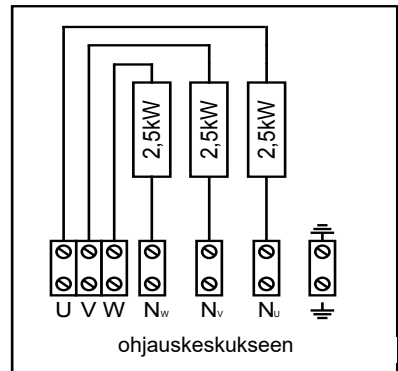
**CP-RMC-35**  
3,5 kW



**CP-RMC-45**  
4,5 kW



**CP-RMC-60**  
6,0 kW



**CP-RMC-75**  
7,5 kW

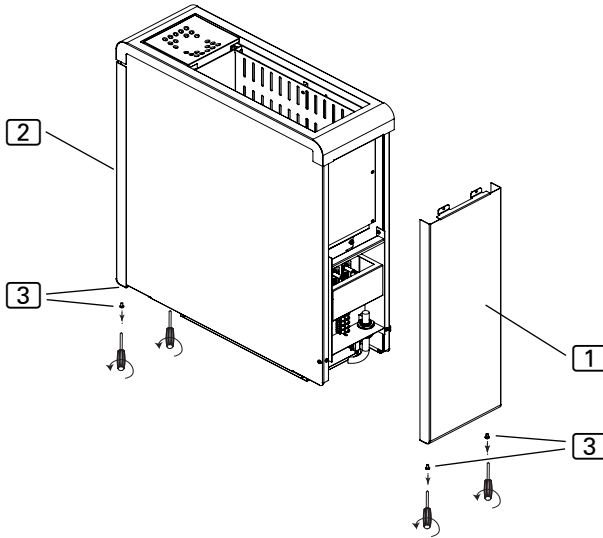
FI

FI

## 4.8. Sähköliitântä

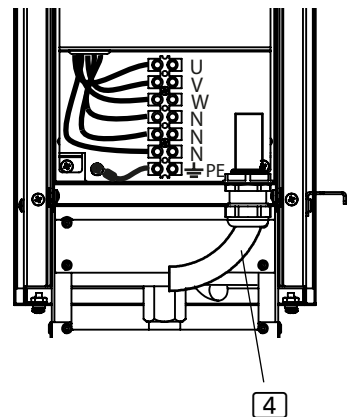
1. Avaa ruuvit **3** ruuvimeisselillä.
2. Poista katepellit **1** ja **2**.

**Kuva 10** Katepeltien poistaminen

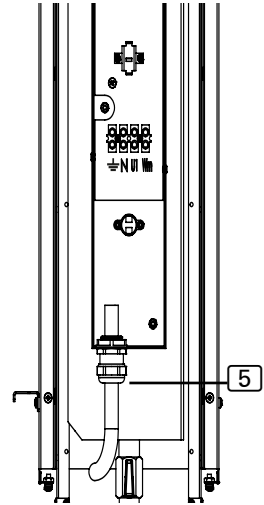


### **Liitântä Concept R mini combi 3,5 kW, 4,5 kW, 6,0 kW ja 7,5 kW** (CP-RMC-35 / CP-RMC-45 / CR-RMC-60 / CP-RMC-75)

1. Vedä lämmitysjärjestelmän liitântäkaapeli läpiviennin **4** kautta.
2. Liitä liitântäkaapelin johtimet sopiviin kiukaan liittimiin, liitântätavasta riippuen, sekä sopiviin ohjauskeskuksen liittimiin. Noudata tällöin ohjauskeskuksen asennusohjeita ja liitântäkaaviota sivulla **16**.



3. Vedä höyrystimen kaapeli läpiviennin [5] kautta.
4. Liitä höyrystinkaapelin johtimet liitännälistan liittimiin PE – N – U1 – Wm sekä sopiviin ohjauskeskuksen liittimiin. Noudata tällöin ohjauskeskuksen asennusohjetta.
5. Kiinnitä katopellit [1] ja [2] uudelleen kiukaaseen ja jatka asentamalla suojakaide(valinnainen).



#### 4.9. Suojakaiteen asennus (valinnainen)

1. Poista höyrystimen keraaminen astia.
2. Irrota katopellit [1] ja [2] kuten **kohdassa 4.9, sivu 18**.

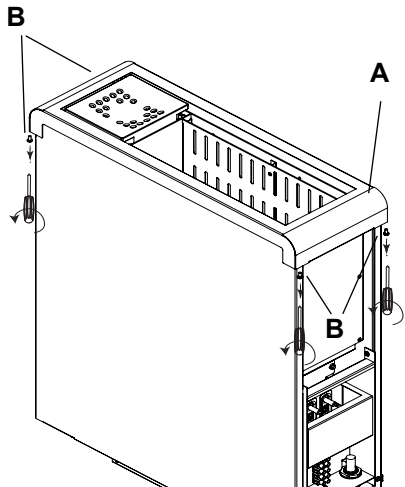
#### HUOMIO!

##### **Esinevaurioita**

Akkuruuvinvääntimen käyttö voi vaurioittaa tuotetta.

- Asenna kaidepidike tavallista ruuvimeisseliä käyttäen.

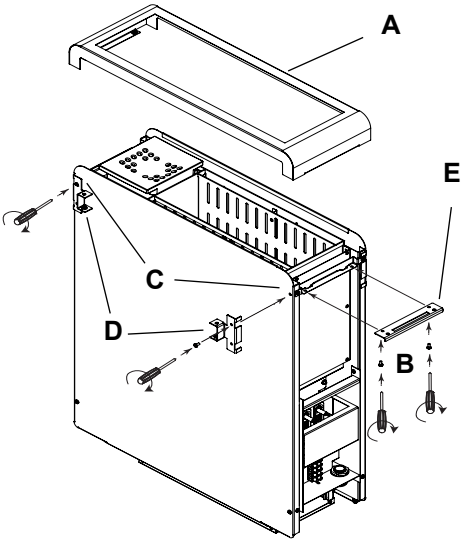
3. Irrota ruuvit **B** ja irrota katteen kehys **A**.



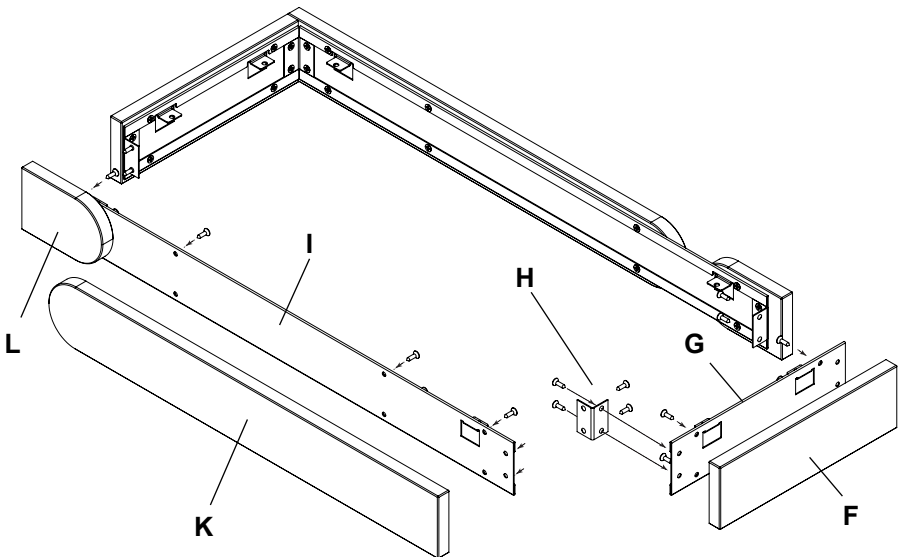
FI

FI

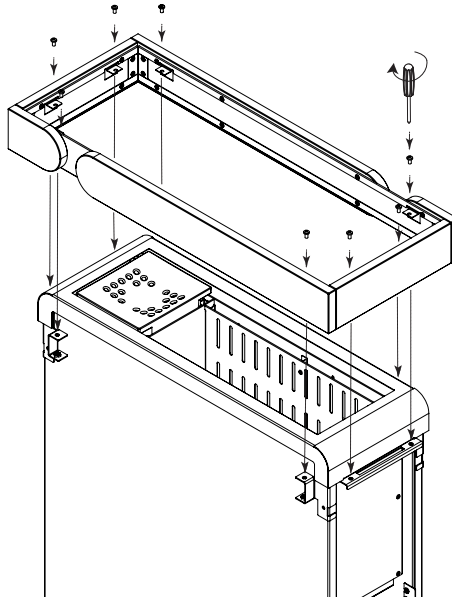
4. Irrota ruuvit **C** ja asenna niillä kulmakaidepidikkeet **D**. Haluamastasi suojakaiteen muodosta riippuen tarvitset joko kaksi tai neljä kulmakaidepidikettä.
5. Asenna kaidepidike **E** katteen **A** kanssa – käytä tähän aiemmin irrottamiasi ruuveja **B**.



6. Suojakaiteen voit koota tarpeesi mukaan L-, U- tai O-kirjaimen muotoiseksi. Käytä tähän oheisia puuruuveja.



7. Ruuvaa puukaiteen sivukate **F** samaan tasoon pidikkeen sivukatteen **G** kanssa. Tee sama tarvittaessa vastakkaisella puolella.
8. Liitä pidikkeen sivukate **G** asennuskulman **H** avulla pitkään pidikekatteeseen **I**. Tee sama tarvittaessa vastakkaisella puolella.
9. Ruuvaa puukaiteen pitkä kate **K** ja puukaiteen lyhyt kate **L** pidikekatteeseen **I**. Varmista, että katteet ovat samassa tasossa puukaiteen sivukatteen **F** kanssa.
10. Aseta valmiiksi koottu suojakaide kaidepidikkeeseen ja kiinnitä oheisilla kupukantaruuveilla. Pujota suojakaide varovasti katteen yli, ettei pintaan synny naarmuja.



## 5. Käyttöönotto

### 5.1. Kivitiilan täyttäminen

**VAROITUS!*****Ylikuumentuminen aiheuttaa palovaaran***

Jos kiuasta käytetään ilman kiviä, saunahuoneen seinät kuumenevat voimakkaasti. Se voi aiheuttaa tulipalon.

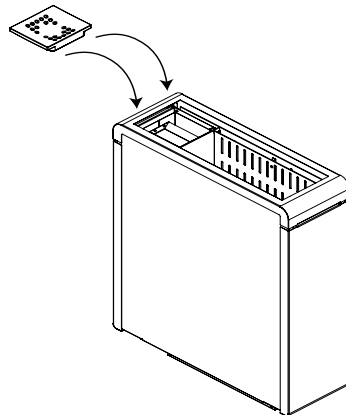
- Kiuasta EI KOSKAAN saa käyttää ilman kiuaskiviä.

Kiukaasi tarvittavan kivimäärän näet kappaleesta **10. Tekniset tiedot** (katso sivu **31**).

1. Pese kiuaskivet ennen käyttöä huolellisesti harjalla ja vedellä. Älä käytä puhdistusaineita.
2. Ennen kuin ladot kivet kiukaaseen, tarkista, että kivien joukossa ei ole vieraita esineitä ja poista kaikki pakkausjäänteet.
3. Lado kiuaskivet kivitilaan. Lado kiuaskivet väljästi, jotta ilma pääsee kiertämään vapaasti.
4. Varmista, etteivät kiuaskivet tule kivitilan reunan yli.

### 5.2. Keraamisen astian asettaminen paikalleen

- Aseta keraaminen astia höyrystinsäiliön päälle – kuten kuvassa oikealla.



### 5.3. Ensimmäinen lämmityskerta

**VARO!*****Ensilämmityksen aikana syntyy savua ja hajua***

Uusissa lämmitysvastuksissa on valmistusprosessista jääneitä käyttöaineita. Nämä tuhoutuvat ensimmäisellä lämmityskerralla. Samalla syntyy savua ja epämiellyttävää hajua. Näiden höyryjen tai savun hengittäminen on terveydelle haitallista.

Kun otat kiukaan **käyttöön ensimmäistä kertaa** ja kun **kiukaan lämmitysvastukset on vaihdettu**, tee seuraavat työvaiheet. Näin estät ensimmäisen lämmityskerran yhteydessä syntyvien höyryn ja savun aiheuttamat terveyshaitat.

1. Lämmitysvastusten lämmittäminen ensimmäisen kerran
  - a. Valitse ohjauskeskuksesta mahdollisimman korkea lämpötila.
  - b. Lämmitä kiuasta puoli tuntia.  
**ÄLÄ OLESKELE tänä aikana saunahuoneessa.**
2. Höyrystimen lämmittäminen ensimmäistä kertaa
  - a. Valitse ohjauskeskuksesta matala lämpötila ja korkea ilmankosteus.
  - b. Lämmitä höyrystintä puolella vesimäärällä (katso **Höyrystimen täyttäminen** sivulla 26)  
**ÄLÄ OLESKELE tänä aikana saunatilassa.**
  - c. Kytke kiuas pois päältä noin 15 minuutin kuluttua.
  - d. Anna höyrystimen jäähtyä (noin puolen tunnin ajan).
  - e. Tyhjennä vesisäiliö (katso **Höyrystimen täyttäminen** sivulla 26)
  - f. Toista vaihe 2 b.
  - g. Tuuleta saunahuone hyvin ensilämmityksen jälkeen.
  - h. Jos seuraavan lämmittämisen aikana ei muodostu enää savua tai hajua, voit aloittaa saunomisen.  
Jos savua tai hajua syntyy, poistu saunahuoneesta välittömästi ja toista ensimmäinen lämmittäminen ja tuuletus.

## 6. Käyttö



### **VAROITUS!**

#### **Palovaara**

Kuumalla kiukaalla olevat tulenarat esineet syttyvät ja aiheuttavat tulipalon.

- ÄLÄ KOSKAAN laske tulenarkoja esineitä kiukaalle.
- Varmista, että kiukaalla EI ole tulenarkoja esineitä, kun otat kiukaan käyttöön.

Kiuasta käytetään ohjauskeskuksella. Tietoa ohjauskeskuksen käytöstä saat käytettävän laitteen käyttöohjeesta. Huomaa, että Concept R mini combi -kiuas soveltuu ainoastaan ohjauskeskuksille, joissa ei ole etäkännistys.

### 6.1. Suomalainen saunakäyttö

Suomalaisessa saunakäytössä käytetään ainoastaan lämmitysjärjestelmää. Lämpö on tällöin kuivaa. Saunahuoneen lämpötila on korkea (80–100 °C). Kosteusarvot ovat vähäiset, enintään 10 %. Saunahuoneen lämpötilaa säädetään ohjauskeskuksella.

Saunomisen loppupuolella voit heittää löylyä. Kaada vettä kauhalla kiuaskivien päälle. Vesi höyrystyy, ja ilmankosteus saunahuoneessa kohoaa.

Huomaa löylynheitossa seuraavat kohdat:

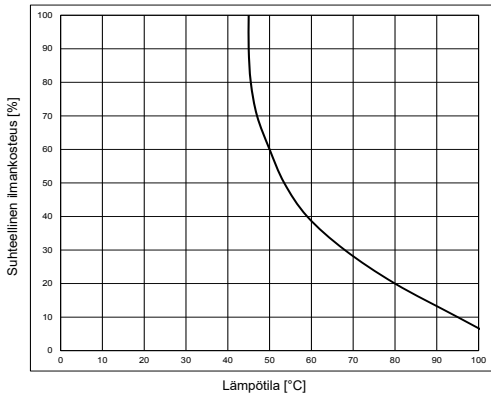
- Käytä ainoastaan vesijohtovettä. Merivesi, hyvin kalkkipitoinen ja kloorattu vesi voivat vaurioittaa kiuasta.
- Käytä ainoastaan sellaisia tuoksuja ja eteerisiä öljyjä, jotka ovat nimenomaan tarkoitettu saunan löylyveteen. Huomaa löylyaineiden valmistajien ohjeet pakkauksissa.
- Älä kaada vettä kiville liian nopeasti. Muutoin vesi ei höyrysty kokonaan.



## 6.2. Yhdistelmäkäyttö

Yhdistelmäkäytössä käytetään lämmitysjärjestelmää ja höyrystintä. Saunahuoneen lämpötila on alhaisempi (n. 40...65 °C) kuin suomalaisessa saunakäytössä, kun taas suhteellinen ilmankosteus on huomattavasti suurempi, 35 % – noin 70 %. Sallittu maksimi-ilmankosteus laskee lämpötilan noustessa. Saunahuoneen lämpötilaa ja ilmankosteutta säädetään ohjauskeskuksella.

**Kuva 11** Säättökäyrä lämpötila / suhteellinen ilmankosteus (standardin EN60335-2-53 mukainen)



Vain säättökäyrän alapuolella vasemmalla olevat asetukset ovat mahdollisia. Esim. 60 %:ssa ei voi ylittää 50 °C:een lämpötilaa.

Höyrystimen säiliö on täytettävä käsin. Kun höyrystimen säiliössä oleva vesi on kulutettu loppuun, ylikuumenemissuoja kytkee höyrystimen lämmityksen automaattisesti pois päältä. Vedenpuute ilmoitetaan ohjauskeskuksella, mistä se ilmaistaan esim. äänimerkillä ja ilmoituksella "FILL".

### HUOMIO!

#### **Höyrystimen vauriot**

Merivesi, hyvin kalkkipitoinen ja kloorattu vesi, yrtit, esanssit tai tuoksut voivat vaurioittaa höyrystintä.

- Täytä höyrystimen säiliö ainoastaan vesijohtovedellä.
- Älä lisää yrtejä, esansseja tai tuoksuja suoraan höyrystimen säiliöön vaan ainoastaan höyrystimen päällä olevaan keraamiseen astiaan.
- Poista kalkki säännöllisesti höyrystimestä (katso **7.6 sivulla 29**).

## Höyrystimen täyttäminen



### VARO!

#### Palovammavaara

Jos kaadat vettä höyrystimen kuumaan säiliöön, syntyy kuumaa höyryä.

- ÄLÄ KOSKAAN kaada vettä kuumaan höyrystimen säiliöön.
- Tarkasta ja täytä höyrystinsäiliö aina ennen yhdistelmätoiminnon käyttöä.
- Anna höyrystimen jäähtyä ENNEN veden täyttämistä höyrystinsäiliöön, jos ylikuumenemissuoja on katkaissut höyrystimen lämmityksen tai jos ohjauskeskus ilmaisee vedenpuutteen.



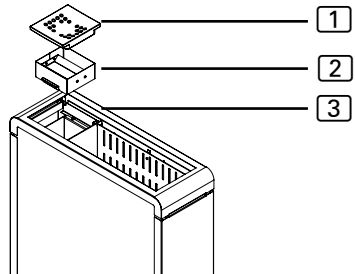
### VARO!

#### Palovammavaara

Jos höyrystimen säiliö on liian täynnä, siitä roiskuu kiehuvaa vettä.

- Täytä höyrystimen säiliö korkeintaan maksimimerkkiin saakka.

1. Poista keraaminen astia [1] ja höyrysuppilo [2].
2. Aseta höyrystimen jalustan palloventtiilin alle keräysastia (vähintään 5 litraa).
3. Kierrä palloventtiili vasemmalle, niin että jäljellä oleva vesi virtaa ulos.
4. Sulje palloventtiili, kun höyrystimen säiliö [3] on tyhjä.
5. Täytä höyrystimen säiliö [3] maksimimerkkiin saakka raikkaalla vesijohtovedellä. Tarvitset noin 5 litraa vettä. Tällä vesimäärällä höyrystintä voi käyttää noin 1 tunnin verran.
6. Aseta keraaminen astia [1] ja höyrysuppilo [2] uudelleen paikalleen.



## **Tuoksujen ja yrttien käyttäminen**

Voit halutessasi lisätä tuoksuja tai kuivattuja yrttejä keraamiseen astiaan. Huomaa tällöin seuraavat kohdat:

- Älä lisää tuoksuja suoraan höyrystimeen.
- Täytä keraaminen astia varovasti, etteivät tuokset valu astian reikien läpi höyrystimen säiliöön.
- Huomaa yrttien ja tuoksujen valmistajien ohjeet pakkauksissa.

## **7. Huolto**

### **7.1. Pidemmät käyttökatkokset**

Kosteissa ympäristöolosuhteissa tai käyttökatkosten kestäessä pitkään lämmitysvastuksiin kertyy kosteutta. Tämä on fyysikaalinen ilmiö, eikä siis valmistajan virhe. Lämmitysvastusten kosteus voi aiheuttaa FI-suojakytkimen laukeamisen. Jos näin tapahtuu, ota yhteyttä sähköalan ammattilaiseen vian korjaamiseksi (katso kappale **9. Asentajan ongelmanratkaisuja**).



Lämmitä kiuasta 5–6 viikon välein noin 15 minuutin ajan. Näin estät veden kertymisen lämmitysvastuksiin pidempien käyttökatkosten aikana.

### **7.2. Kiukaan puhdistaminen**

Varmista, että tuuletusaukoissa ei ole nukkaa ja pölyä. Näin estät kiukaan ilman-kierron rajoittumisen ja laitteen ylikuumenemisen.

### 7.3. Kiuaskivien vaihtaminen

Löylyvesi ja suuret lämpötilavaihtelut kuormittavat kiuaskiviä. Kiuaskivet voivat kulua ja murentua.

Tarkasta kiuaskivet säännöllisesti ja vaihda ne vähintään kerran vuodessa.



#### **VAROITUS!**

#### ***Ylikuumentuminen aiheuttaa palovaaran***

Jos kiuasta käytetään ilman kiviä, saunahuoneen seinät kuumenevat voimakkaasti. Se voi aiheuttaa tulipalon.

- Kiuasta EI KOSKAAN saa käyttää ilman kiuaskiviä.
- 

1. Poista vanhat kiuaskivet.
2. Puhdista kivitila kalkista, pölystä ja muusta liasta.
3. Pese kiuaskivet ennen käyttöä huolellisesti harjalla ja vedellä. Älä käytä puhdistusaineita.
4. Ennen kuin ladot kivet kiukaaseen, tarkista, että kivien joukossa ei ole vieraita esineitä ja poista kaikki pakkausjäänteet.
5. Lado kiuaskivet kivitilaan. Lado kiuaskivet väljästi, jotta ilma pääsee kiertämään vapaasti.
6. Varmista, etteivät kiuaskivet tule kivitilan reunan yli.

### 7.4. Höyrystimen säiliön puhdistaminen

Tyhjennä ja puhdista höyrystimen säiliö aina käytön jälkeen. Tee sitä varten seuraavat vaiheet:

1. Odota, kunnes höyrystimen vesi on jäähtynyt.
2. Aseta höyrystimen jalustan palloventtiilin alle keräysastia.
3. Kierrä palloventtiili vasemmalle, niin että jäljellä oleva vesi virtaa ulos.
4. Sulje palloventtiili, kun höyrystimen säiliö on tyhjä.

5. Poista keraaminen astia ja höyrystin.
6. Puhdista höyrystimen säiliö ja höyrystin muovisella talousharjalla. Huuhtelee vedellä.
7. Aseta keraaminen astia ja höyrystin uudelleen paikalleen.

## 7.5. Keraamisen astian puhdistaminen

Puhdista keraaminen tuoksu- ja yrttiastia tarpeen mukaan astianpesukoneessa.

## 7.6. Höyrystimen säiliön kalkinpoisto

Poista kalkki höyrystimen säiliöstä tarvittaessa. Käytä siihen kodinkoneiden kalkinpoistoainetta. Noudata valmistajan määräyksiä ja turvaohjeita.

1. Valmista kalkinpoistoliuos valmistajan ohjeiden mukaan.
2. Täytä kalkinpoistoliuosta höyrystimeen maksimimerkkiin saakka.
3. Anna kalkinpoistoliuoksen kiehua 10 minuuttia.
4. Odota, kunnes kalkinpoistoliuos on jäähtynyt höyrystimessä.
5. Aseta keräysastia höyrystimen jalustan palloventtiin alle ja tyhjennä höyrystimen säiliö.
6. Huuhtelee höyrystimen säiliö 2 kertaa vesijohtovedellä.

## 8. Hävittäminen



- Hävitä pakkausmateriaali voimassaolevien määräysten mukaisesti.
- Laiteromussa on kierrätettäviä materiaaleja, mutta myös haitallisia aineita. Älä siis missään tapauksessa hävitä laiteromua sekajätteen mukana, vaan hävitä laite paikallisten voimassa olevien määräysten mukaisesti.

## 9. Asentajan ongelmanratkaisuja

### Lämmitysvastusten lämmittäminen

Kosteissa ympäristöolosuhteissa tai käyttökatkosten kestäessä pitkään lämmitysvastuksiin voi kertyä kosteutta. Tämä on fysikaalinen ilmiö, eikä siis valmistajan virhe. Lämmitysvastusten kosteus voi joissain tilanteissa aiheuttaa FI-suojajytimen laukeamisen.

Jos näin tapahtuu, kiuasta täytyy lämmittää sähköalan ammattilaisen valvonnassa. FI-suojajytimen suojatoiminto on tällöin kytkettävä pois päältä. Lämmitys kestää noin 10 minuuttia. Sen jälkeen FI-kytjimen suojatoiminto on kytkettävä jälleen päälle.

Jos ongelma jatkuu, käänny laitteen toimittajan puoleen.

### Höyrytimen ylikuumenemissulakkeen nollaaminen

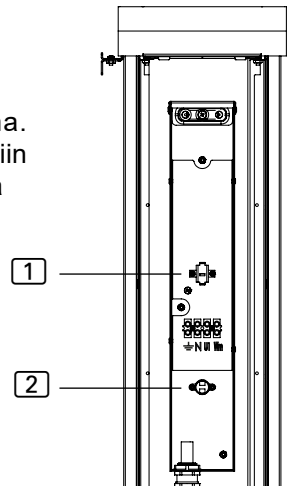
Lämpötilakytkin **2** vastaa vedenpuutteen tunnistuksen toiminnasta.

Jos höyrytimen säiliön vesitaso laskee liikaa (noin 1 litraan), kytkee lämpötilakytkin lämmitysvastuksen pois päältä. Samaan aikaan palautus ohjauskeskukseen VM putoaa arvoon 0V – ohjauskeskuksessa näkyy ilmoitus ”FILL”.

Lämpötilasulake **1** toimii ylikuumenemissuojana. Tämä sulake on nollattava manuaalisesti. Paina esiin tullutta metallikosketinta lämpötilasulakkeen keskellä

**1** Lämpötilasulake 150 °C (ei nollaudu itsestään)

**2** Itsestään nollautuva lämpötilakytkin 110 °C



## 10. Tekniset tiedot

Mitat, ks **Kuva 13**.

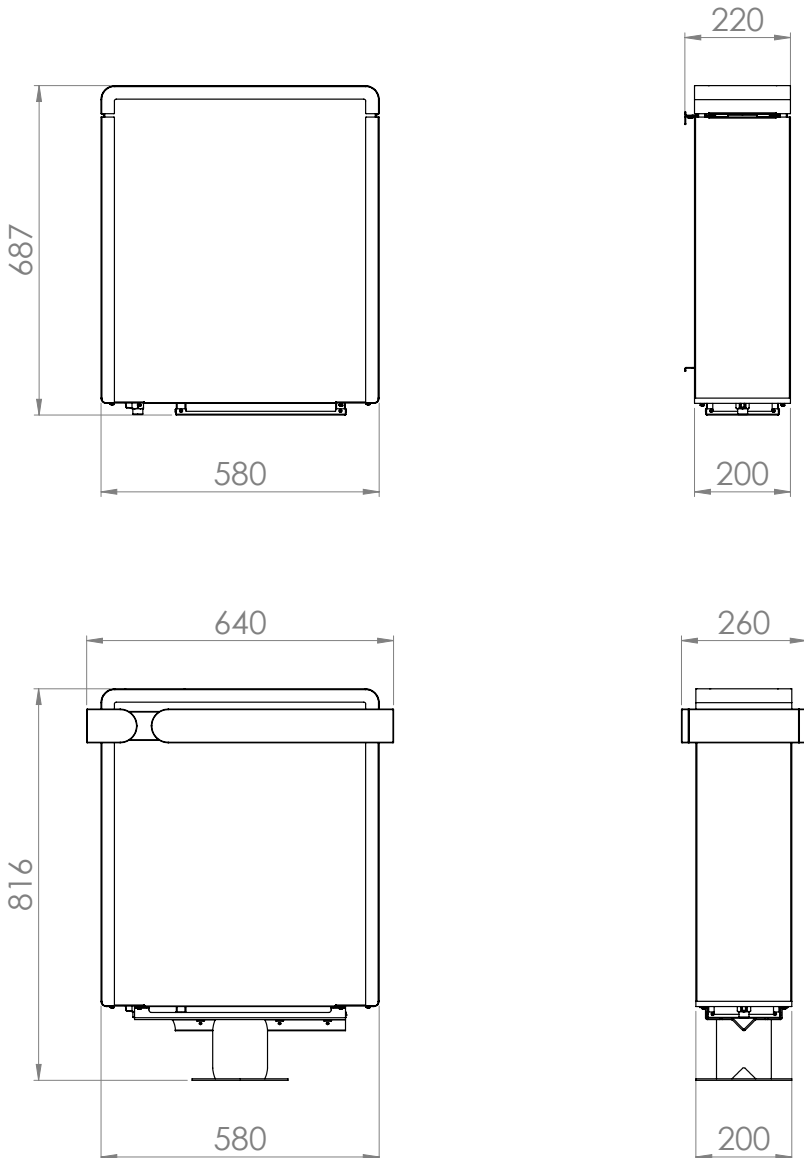
<i>Tuote- numero</i>	<i>Teho [kW]</i>	<i>Höyrysti- men teho [kW]</i>	<i>Sauna- huoneen tilavuus [m<sup>3</sup>]</i>	<i>Kivi- määrä [kg]</i>	<i>Paino ilman kiviä [kg]</i>
CP-RMC-35	3,5	1,0	3–5	noin 15	29,5
CP-RMC-45	4,5	1,0	4–6	noin 15	29,5
CP-RMC-60	6,0	1,0	5–8	noin 15	29,5
CP-RMC-75	7,5	1,5	7–11	noin 15	29,5

<i>Tuote- numero</i>	<i>Tuuletusaukon vähimmäisko- ko [mm]</i>	<i>Varmistin [A]</i>	<i>Syöttö</i>
CP-RMC-35	350 x 20	3 x 10	400 V AC 3N~ 50/60 Hz 230 V AC 1N~ 50/60 Hz
CP-RMC-45	350 x 25	3 x 10	400 V AC 3N~ 50/60 Hz 230 V AC 1N~ 50/60 Hz
CP-RMC-60	350 x 30	3 x 10	400 V AC 3N~ 50/60 Hz 230 V AC 1N~ 50/60 Hz
CP-RMC-75	350 x 35	3 x 16	400 V AC 3N~ 50/60 Hz 230 V AC 1N~ 50/60 Hz

<i>Tuotenumero</i>	<i>Lämmittimet</i>	<i>Evaporator Lämmittimet</i>
CP-RMC-35	3 x CPRM115 (1-043-621)	1 x 1-052-801
CP-RMC-45	3 x SCA150 (1-028-518)	
CP-RMC-60	3 x SCA200 (1-028-503)	1 x 1-052-800
CP-RMC-75	3 x CPRM250 (1-042-346)	

FI

**Kuva 12** Mitat Concept R mini combi  
3,5 kW, 4,5 kW 6,0 kW ja 7,5 kW  
(CP-RMC-35 / CP-RMC-45 / CR-RMC-60 / CP-RMC-75)  
Mittayksikkö mm













sentiotec GmbH | Division of Harvia Group | Wartenburger Straße 31, A-4840 Vöcklabruck  
T +43 (0) 7672/22 900-50 | F -80 | [info@sentiotec.com](mailto:info@sentiotec.com) | [www.sentiotec.com](http://www.sentiotec.com)