

# Sauna heater

## Home fin

HOME-F45 / 1-039-794: Home fin 4,5 kW

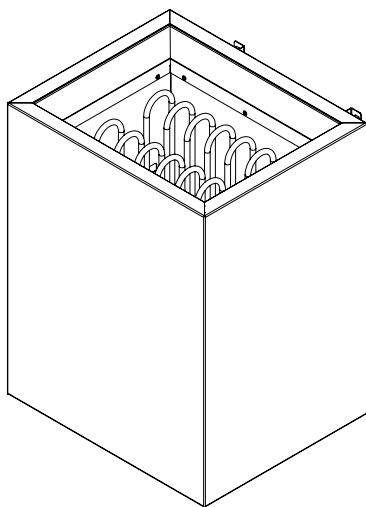
HOME-F60 / 1-039-795: Home fin 6,0 kW

HOME-F75 / 1-039-796: Home fin 7,5 kW

HOME-F90 / 1-039-797: Home fin 9,0 kW

### INSTRUCTIONS FOR INSTALLATION AND USE

English



EN

DE

FR

IT

NL

SV

CS

SL

FI

# Table of Contents

<b>1. About these instructions</b>	<b>4</b>
<b>2. Important information for your safety</b>	<b>5</b>
2.1. Intended use	5
2.2. Safety information for the installer	6
2.3. Safety information for the user	7
<b>3. Product description</b>	<b>9</b>
3.1. Scope of delivery	9
3.2. Product functions	9
<b>4. Installation and connection</b>	<b>10</b>
4.1. Installation location and sensor position	10
4.2. Safety distances	11
4.3. Installation on the cabin wall	12
4.4. Connection diagram for 400V 3N~	14
4.5. Connection diagram for 230V 3~	15
4.6. Connection diagram for 230V 1N~	16
4.7. Wiring diagrams	17
4.8. Electrical connection	18
<b>5. Starting up</b>	<b>19</b>
5.1. Filling the stone container	19
5.2. Heating up for the first time	20
<b>6. Operation</b>	<b>21</b>
6.1. Operating the sauna heater	21
6.2. Pouring on water	21

<b>7. Maintenance</b>	<b>22</b>
7.1. Extended periods of non-use	22
7.2. Cleaning the sauna heater	22
7.3. Changing the sauna stones	22
<b>8. Disposal</b>	<b>23</b>
<b>9. Problem-solving by the installation engineer</b>	<b>24</b>
<b>10. Technical data</b>	<b>25</b>

# 1. About these instructions

Carefully read these instructions for installation and use, and keep them near the sauna. This means you can refer to information regarding both your own safety and sauna operation at any time.



These installation and operating instructions can also be found in the downloads section of our website: [www.sentiotec.com/downloads](http://www.sentiotec.com/downloads).

## ***Symbols used for warnings***

These installation and operating instructions feature warning symbols next to activities that present a hazard to the user. Warning symbols must be observed at all times. This prevents damage to property and injuries, which in the worst case may be fatal.

The warning symbols contain keywords that mean the following:



### **DANGER!**

Serious or fatal injury will occur if this warning symbol is not observed.



### **WARNING!**

Serious or fatal injury can occur if this warning symbol is not observed.



### **CAUTION!**

Minor injuries can occur if this warning symbol is not observed.

### **ATTENTION!**

This keyword is a warning that damage to property may occur.

## ***Other symbols***



This symbol indicates tips and useful information.



Do not cover



Read the operating instructions

## 2. Important information for your safety

The Home fin sauna heater has been produced in accordance with the applicable safety rules and regulations. However, hazards may still occur during use. You should therefore adhere to the following safety information and the specific warnings in the individual chapters.

### 2.1. Intended use

The Home fin sauna heater may only be used for heating sauna cabins in combination with a sauna control unit that does not include remote start and preset time functions.

The Home fin sauna heater can also be used with a sauna control unit with a remote start function, but only in conjunction with the optional safety shutdown feature.

The Home fin sauna heater can also be used in public saunas, but only in conjunction with the optional safety shutdown feature.

Any use exceeding this scope is considered improper. Improper use can result in damage to the product, severe injuries or death.

## 2.2. Safety information for the installer

- Installing and connecting the sauna heater may only be performed when the power supply is disconnected.
- Installation may only be performed by a qualified electrician or similarly qualified person.
- An all-pole disconnecting device with full cut-off must be fitted on-site in accordance with overvoltage category III.
- Always use silicone cables that are heat-resistant up to 150 °C to connect the heater.
- Only install one sauna heater in the cabin. The Home fin sauna heater must not be used together with other sauna heaters in a sauna cabin.
- The roof and walls of the sauna cabin are manufactured from low-resin, untreated or thermally treated wood, e.g. Nordic spruce, hemlock, pine or fir, or from laminated wooden materials. If laminated wooden materials are used, make sure that the adhesive used in them does not produce formaldehyde. If other materials than wood are used in the sauna cabin, these materials must be heat-resistant and corrosion-resistant and must not cause any negative effects on the health of the sauna users.
- The height of the sauna cabin must be at least 1.9 m.
- Observe the specifications on volumes and on ventilation of the sauna cabin in chapter **10. Technical data**.
- When positioning the sauna heater, observe the minimum safety distances (see chapter **4.2. Safety distances**).
- Observe all regulations applicable at the installation location.
- For your own safety, consult your supplier in the event of problems that are not explained in sufficient detail in the installation instructions.

### 2.3. Safety information for the user

- The device must not be used by children under 8 years old.
- The device may only be used by children over 8 years old, by persons with limited psychological, sensory or mental capabilities or by persons with lack of experience/knowledge under the following conditions:
  - When they are supervised.
  - When they have been shown how to use the device safely and are aware of the hazards that could occur.
- Children must not play with the device.
- Children under 14 years old may only clean the device if they are supervised.
- For health reasons, do not use the sauna when under the influence of alcohol, medication or drugs.
- Never operate the sauna heater without sauna stones as this can cause fires.
- Make sure that no flammable objects have been placed on the sauna heater before the sauna control unit is switched on.
- Heat up the sauna heater for half an hour **BEFORE** using the sauna for the first time. Do **NOT** remain in the sauna cabin during this period. Then ventilate the sauna cabin well (see **5.2. Heating up for the first time** on page **19**).
- Never touch the sauna heater while it is operating. The surfaces of the sauna heater and sauna stones become extremely hot.
- For your own safety, consult your supplier in the event of problems that are not described in sufficient detail in the operating instructions.

## **3. Product description**

### **3.1. Scope of delivery**

- Sauna heater
- Instructions for installation and use

### **3.2. Product functions**

The Home fin sauna heater is a Finnish sauna heater and makes it possible to produce a typical Finnish sauna climate of 80 °C to 100 °C with an air humidity of approximately 10%.



## 4. Installation and connection

Take the following points into account when positioning and connecting the sauna heater:



### **WARNING!**

#### ***Danger of electric shock***

- The sauna heater may only be installed and connected when the power supply is disconnected.
- 

- The electrical connection may only be performed by a qualified electrician or similarly qualified person.
- An all-pole disconnecting device with full cut-off must be fitted on-site in accordance with overvoltage category III.
- The Home fin sauna heater is a wall-mounted heater. Before starting the heater, check that the heater has been firmly installed on the mounting rail.

### 4.1. Installation location and sensor position

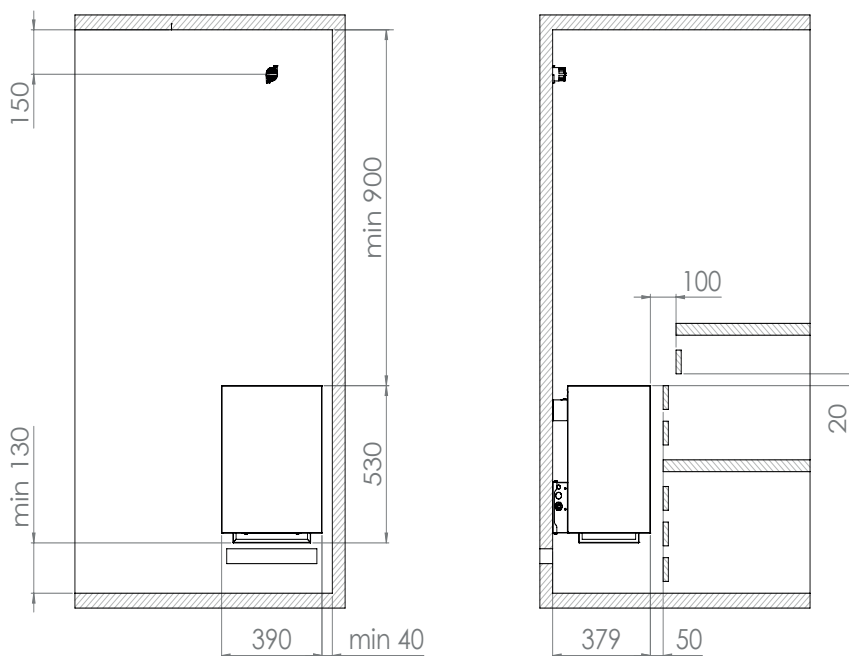
Position the heater centrally in front of the air intake opening on the cabin wall. Comply with the safety distances to the cabin wall specified in **Fig. 1**.

Install the temperature sensor with excessive temperature controller to the cabin wall above the centre of the sauna heater. Maintain a distance of 15 cm to the sauna cabin roof.

## 4.2. Safety distances

Observe the minimum safety distances specified in **Fig. 1**.

**Fig. 1** Safety distances for the  
Home fin 4,5 kW, 6,0 kW, 7,5 kW und 9,0 kW  
(HOME-F45 / HOME-F60 / HOME-F75 / HOME-F90)  
Dimensions in mm



### 4.3. Installation on the cabin wall

Observe **Fig. 1**, **Fig. 2**, **Fig. 3** and **Fig. 4** (page 11, 12, 13).

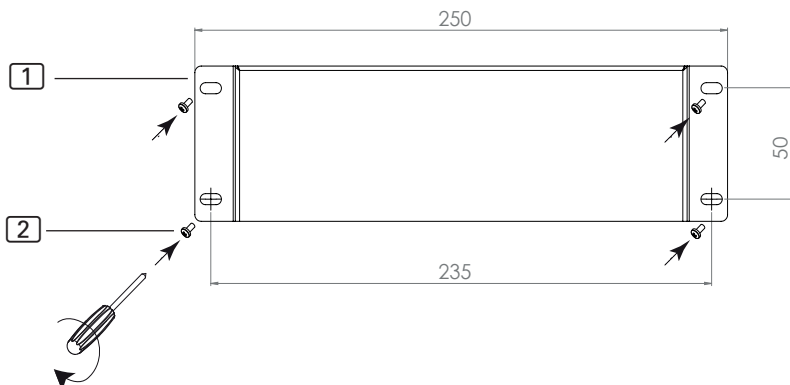
1. Attach the mounting rail **1** to the wall horizontally using the wood screws supplied **2**. Observe the minimum distances for the heater shown in Fig. 1.
2. Suspend the heater **3** from the mounting rail from above, moving it downwards. Make sure that the heater is flush with the wall.
3. Secure the heater **3** using the lock screws supplied **4** on the mounting rail **1**.



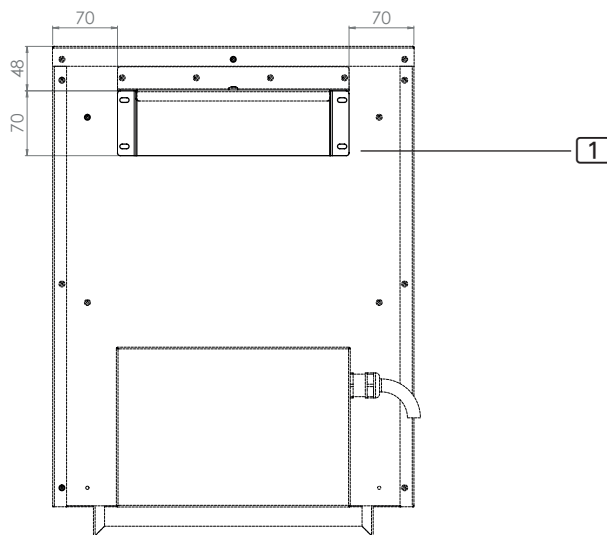
#### **WARNING!** **Risk of fire**

- To fix the heater in place and secure it against slippage, use the supplied lock screw **4** for attachment.

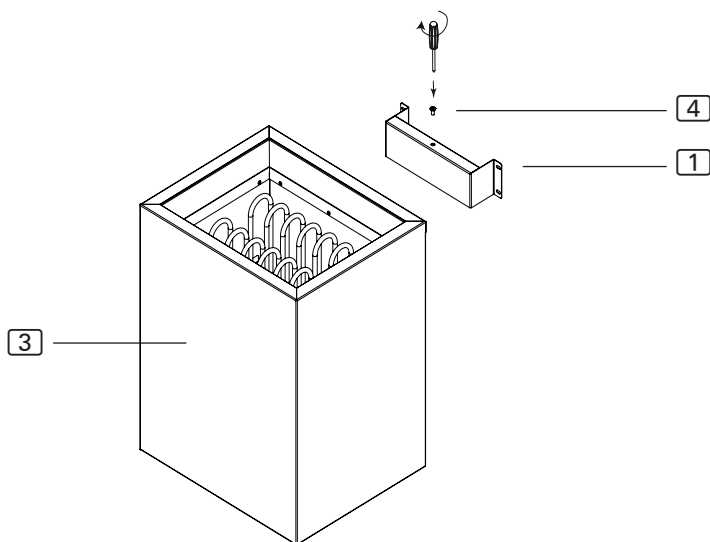
**Fig. 2** Position of the mounting rail for Home fin  
Dimensions in mm



**Fig. 3** Position of the mounting rail for Home fin  
Dimensions in mm

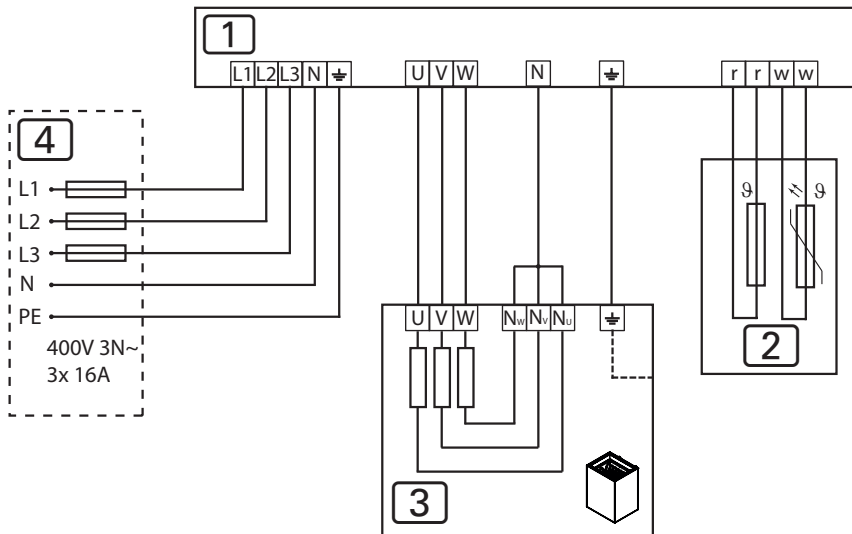


**Fig. 4** Securing the Home fin (mounting rail)



### 4.4. Connection diagram for 400V 3N~

**Fig. 5** Connection diagram 400V 3N~  
Home fin 4.5 kW, 6.0 kW, 7.5 kW and 9.0 kW  
(HOME-F45 / HOME-F60 / HOME-F75 / HOME-F90)

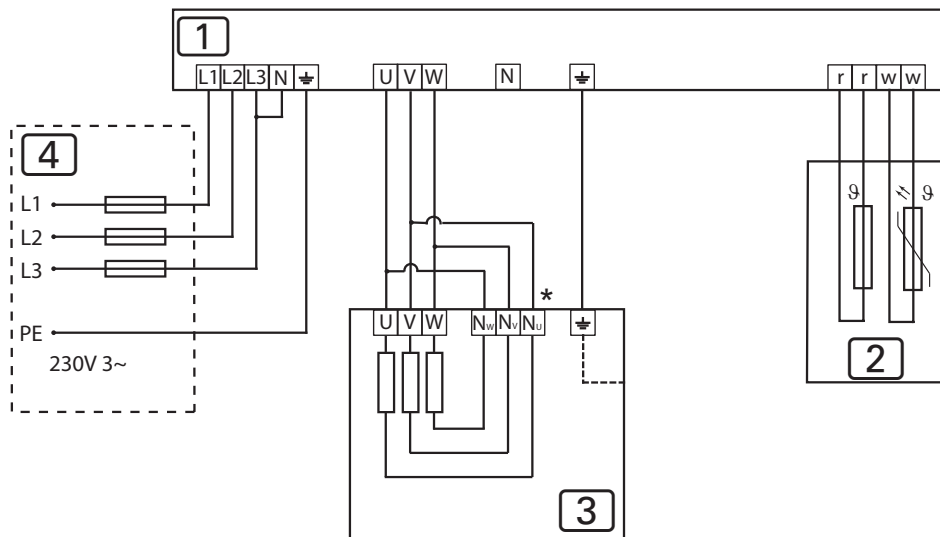


EN

- 1 Sauna control unit
- 2 Temperature sensor with excess temperature controller
- 3 Sauna heater
- 4 Power supply

## 4.5. Connection diagram for 230V 3~

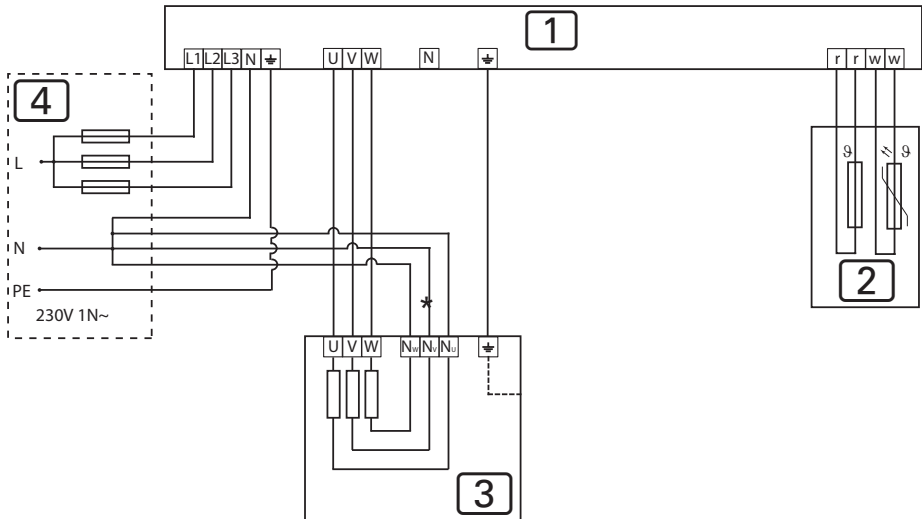
**Fig. 6** Connection diagram 230V 3~  
Home fin 4.5 kW, 6.0 kW  
(HOME-F45 / HOME-F60)



- 1 Sauna control unit
- 2 Temperature sensor with excess temperature controller
- 3 Sauna heater
- 4 Power supply
- \* Remove the copper bridge

## 4.6. Connection diagram for 230V 1N~

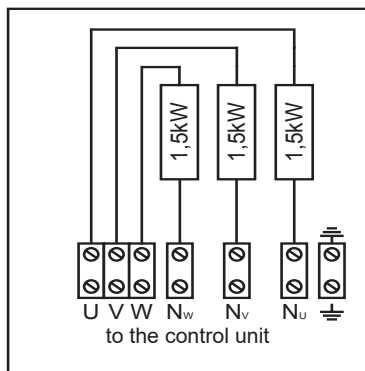
**Fig. 7** Connection diagram 230V 1N~  
Home fin 4.5 kW, 6.0 kW, 7.5 kW and 9.0 kW  
(HOME-F45 / HOME-F60 / HOME-F75 / HOME-F90)



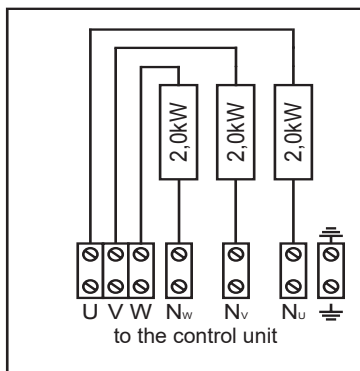
- 1 Sauna control unit
- 2 Temperature sensor with excess temperature controller
- 3 Sauna heater
- 4 Power supply
- \* Remove the copper bridge

## 4.7. Wiring diagrams

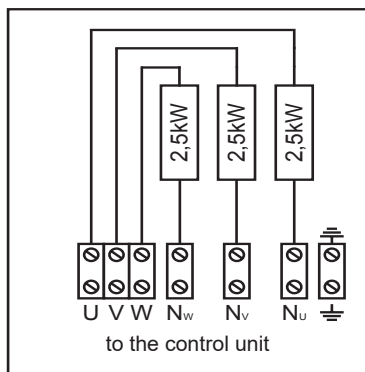
**HC4-FIN-45**  
4.5 kW



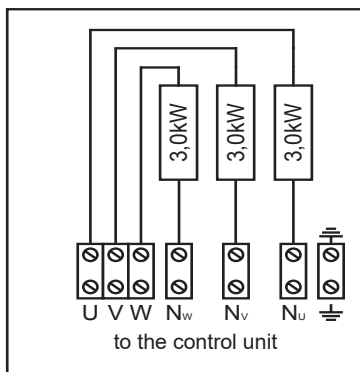
**HC4-FIN-60**  
6.0 kW



**HC4-FIN-75**  
7.5 kW



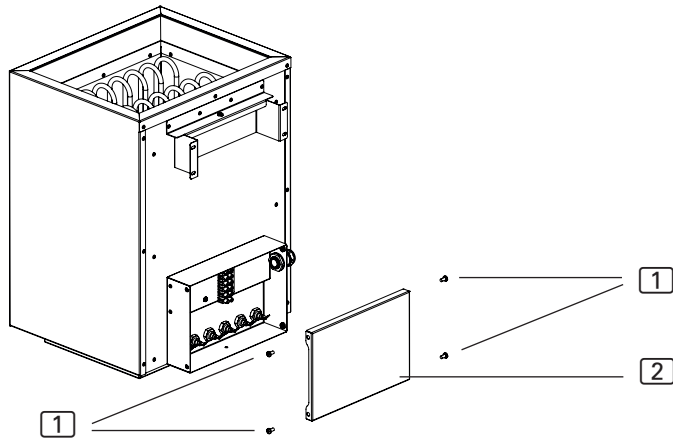
**HC4-FIN-90**  
9.0 kW





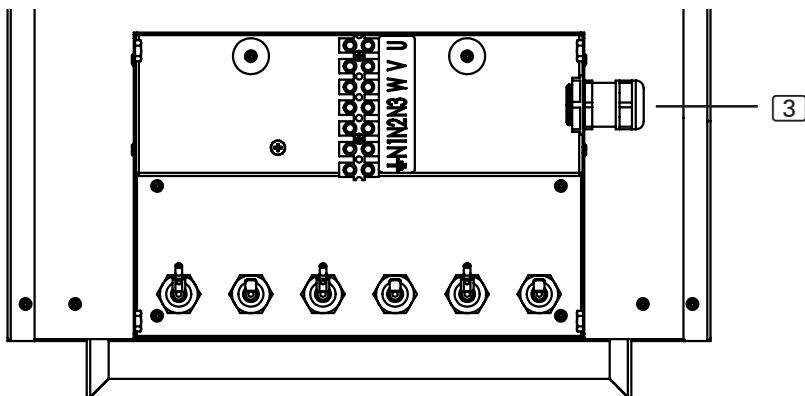
## 4.8. Electrical connection

1. Unscrew the screws **1** with a screwdriver.  
Remove the cover plate **2**.



### **Connection Home fin 4.5 kW, 6.0 kW, 7.5 kW and 9.0 kW** (HOME-F45 / HOME-F60 / HOME-F75 / HOME-F90)

1. Guide the connection cable through the feed-through **3**.
2. Connect the wires of the connection cable (depending on the type) to the terminals of the sauna heater and to the corresponding control device terminals. Observe the installation instructions for the sauna control unit when doing so.
3. Reattach the cover panel **1** to the heater.



## 5. Starting up

### 5.1. Filling the stone container



#### **WARNING!**

#### ***Risk of fire due to overheating***

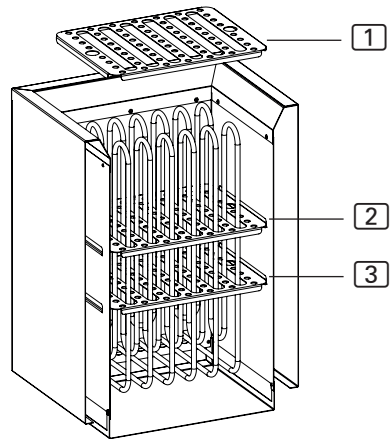
If the sauna heater is used without sauna stones, the cabin walls will become extremely hot. This could cause fires.

- NEVER operate the sauna heater without the sauna stones.

The stone basket **1** can be mounted at two different heights.

Position **2**: fewer stones, shorter heating time, energy saving

Position **3** (set at factory): more stones, larger amount of water for pouring possible, creating more steam, longer heating times



The amount of stones suited to your heater can be found in chapter **10. Technical data** (see page 24).

1. Wash the stones thoroughly using water and a brush before use. Do not use any cleaning additives.
2. Before filling the heater with the sauna stones, check them for foreign objects and remove any remaining packaging.
3. Place the stones in the stone container and also between the heating rods. Place sauna stones loosely so that air can flow through the gaps.
4. **Do NOT allow the heating rods to make contact with one another.**
5. Make sure that the sauna stones do not stick out over the edge of the stone container.

## 5.2. Heating up for the first time

---



### CAUTION!

#### ***Formation of smoke and odours when heating up for the first time***

Working materials from the manufacturing process will be present on the new heating elements. These evaporate when the sauna heater is heated up for the first time. This produces smoke and an unpleasant odour. Breathing in the fumes or smoke can be harmful to your health.

---

Perform the following steps when **operating the sauna heater for the first time** and if the **heating elements for the sauna heater have been changed**. In this way you will prevent damage to health due to the fumes and smoke produced when heating up for the first time.

1. Select the highest possible temperature on the sauna control unit.
2. Heat up the sauna heater for half an hour.  
**Do NOT remain in the sauna cabin during this period.**
3. Allow the sauna cabin to ventilate thoroughly after heating up for the first time.
4. If no smoke or odour is produced the next time the sauna heater is heated up, you can start to use the sauna.  
If smoke or odour is produced again, leave the sauna cabin immediately and repeat the initial heating up process followed by ventilation.

## 6. Operation

---



### **WARNING!**

#### ***Risk of fire***

Flammable objects that are placed on the heater will ignite and cause fires.

- NEVER place flammable objects on the sauna heater.
  - Make sure that NO flammable objects are located on the heater before operating it.
- 

### 6.1. Operating the sauna heater

A sauna control unit is used to operate the sauna heater. For information on how to operate the sauna control unit, read the operating instructions for the device used. Please note that only sauna control units without remote start or preset time functions are permitted for use with the Concept R mini sauna heater.

### 6.2. Pouring on water

At the end of the sauna session, you can pour water over the stones. Pour water over the stones using a sauna ladle. The water evaporates and the humidity in the sauna cabin is increased.

When pouring water over the stones, observe the following points:

- Only use tap water. Sea water, hard water and chlorinated water can damage the sauna heater.
- Only use fragrances and essential oils that are suitable for use in saunas. Follow the manufacturer's instructions on the packaging of the scented substance.
- Do not pour the water onto the stones too quickly. Only in this way will the water evaporate completely.

## 7. Maintenance

### 7.1. Extended periods of non-use

Moisture can accumulate in the heating rods in especially humid ambient conditions or during long periods of non-use. This is a physical process and not a manufacturer error. Accumulation of moisture in the heating rods can lead to the FI circuit breaker being triggered. In this case, contact an electrician to correct the fault (see chapter **9. Problem-solving by the installation engineer**).



Heat the sauna heater for approximately 15 minutes every 5 to 6 weeks. This prevents moisture from building up on the heating rods during extended periods of non-use.

### 7.2. Cleaning the sauna heater

Make sure that the ventilation openings are free of lint and dust. This prevents the air circulation in the sauna heater from becoming restricted and prevents the device from overheating.

### 7.3. Changing the sauna stones

Sauna stones are subjected to having water poured on them as well as large fluctuations in temperature which occur during use. The sauna stones can become weak and brittle.

Check the sauna stones at regular intervals and replace the stones at least once a year.



#### **WARNING!**

#### ***Risk of fire due to overheating***

If the sauna heater is used without sauna stones, the cabin walls will become extremely hot. This could cause fires.

- NEVER operate the sauna heater without the sauna stones.

1. Remove the old sauna stones.
2. Clear the stone container of limescale deposits, dust and other contamination.
3. Wash the stones thoroughly using water and a brush before use. Do not use any cleaning additives.
4. Before filling the heater with the sauna stones, check them for foreign objects and remove any remaining packaging.
5. Place the stones in the stone container. Place sauna stones loosely so that air can flow through the gaps.
6. Make sure that the sauna stones do not stick out over the edge of the stone container.

## 8. Disposal



- Dispose of packaging materials in accordance with the applicable disposal regulations.
- Used devices contain reusable materials, as well as hazardous substances. Do not dispose of your used device with household waste, but do so in accordance with the locally applicable regulations.

## 9. Problem-solving by the installation engineer

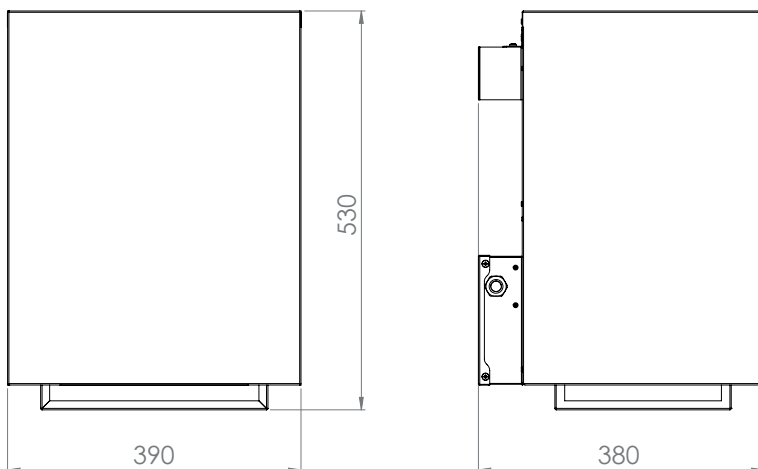
### *Baking out of the heating rods*

Moisture can accumulate in the heating rods in especially humid ambient conditions or during long periods of non-use. This is a physical process and not a manufacturer error. Under certain circumstances, accumulation of moisture in the heating rods can lead to the FI circuit breaker being triggered.

In this case, it is necessary to bake out the sauna heater under the supervision of an electrician. To do this, the protective function of the FI circuit breaker must be switched off. The baking out procedure takes approximately 10 minutes. The safety function of the FI circuit breaker must subsequently be reactivated.

If the problem persists, consult your supplier.

**Fig. 8** Dimensions of Home fin 4.5 kW, 6.0 kW, 7.5 kW and 9.0 kW (HOME-F45 / HOME-F60 / HOME-F75 / HOME-F90)  
Dimensions in mm



## 10. Technical data

The dimensions can be found in **Fig. 8**.

<i>Article number</i>	<i>Power rating [kW]</i>	<i>Cabin volume [m<sup>3</sup>]</i>	<i>Minimum size of ventilation opening [mm]</i>	<i>Weight without stones [kg]</i>
HOME-F45	4.5	3 - 6	350 x 25	15
HOME-F60	6.0	5 - 9	350 x 30	15
HOME-F75	7.5	7 - 13	350 x 35	15
HOME-F90	9.0	8 - 14	350 x 50	15

<i>Article number</i>	<i>Stone weight [kg]</i>	<i>Fuse [A]</i>	<i>Supply voltage</i>
HOME-F45	ca. 20 / 30	3 x 10	400 V AC 3N~ 50/60 Hz 230 V AC 1N~ 50/60 Hz 230 V AC 3~ 50/60 Hz
HOME-F60	ca. 20 / 30	3 x 10	400 V AC 3N~ 50/60 Hz 230 V AC 1N~ 50/60 Hz 230 V AC 3~ 50/60 Hz
HOME-F75	ca. 20 / 30	3 x 16	400 V AC 3N~ 50/60 Hz 230 V AC 1N~ 50/60 Hz
HOME-F90	ca. 20 / 30	3 x 16	400 V AC 3N~ 50/60 Hz 230 V AC 1N~ 50/60 Hz

<i>Article number</i>	<i>Heating rods</i>
HOME-F45	3 x HP-HOME-150 (1-043-617)
HOME-F60	3 x HP-HOME-200 (1-043-618)
HOME-F75	3 x HP-HOME-250 (1-043-619)
HOME-F90	3 x HP-HOME-300 (1-043-620)



# Saunaofen

## Home fin

HOME-F45 / 1-039-794: Home fin 4,5 kW

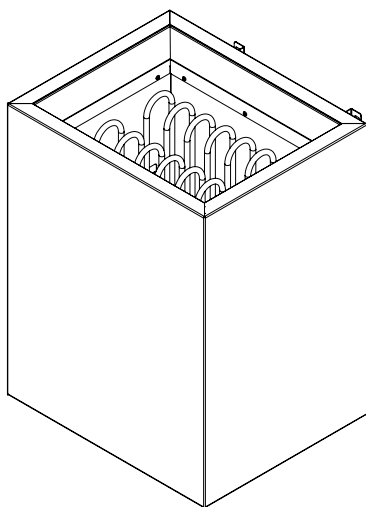
HOME-F60 / 1-039-795: Home fin 6,0 kW

HOME-F75 / 1-039-796: Home fin 7,5 kW

HOME-F90 / 1-039-797: Home fin 9,0 kW

### MONTAGE- UND GEBRAUCHSANWEISUNG Deutsch

DE



# Inhaltsverzeichnis

<b>1. Zu dieser Anleitung</b>	<b>4</b>
<b>2. Wichtige Hinweise zu Ihrer Sicherheit</b>	<b>5</b>
2.1. Bestimmungsgemäßer Gebrauch	5
2.2. Sicherheitshinweise für den Monteur	6
2.3. Sicherheitshinweise für den Anwender	7
<b>3. Produktbeschreibung</b>	<b>9</b>
3.1. Lieferumfang	9
3.2. Produktfunktionen	9
<b>4. Montage und Anschluss</b>	<b>10</b>
4.1. Aufstellort und Fühlerposition	10
4.2. Sicherheitsabstände	11
4.3. Montage an der Kabinenwand	12
4.4. Anschlussplan für 400V 3N~	14
4.5. Anschlussplan für 230V 3~	15
4.6. Anschlussplan für 230V 1N~	16
4.7. Verdrahtungsschemen	17
4.8. Elektrischer Anschluss	18
<b>5. Inbetriebnahme</b>	<b>19</b>
5.1. Steinebehälter füllen	19
5.2. Erstmaliges Aufheizen	20
<b>6. Bedienung</b>	<b>21</b>
6.1. Saunaofen bedienen	21
6.2. Aufgießen	21

<b>7. Wartung</b>	<b>22</b>
7.1. Längere Betriebspausen.....	22
7.2. Saunaofen reinigen.....	22
7.3. Saunasteine wechseln.....	22
<b>8. Entsorgung</b>	<b>23</b>
<b>9. Problemlösung durch den Monteur</b>	<b>24</b>
<b>10. Technische Daten</b>	<b>25</b>

# 1. Zu dieser Anleitung

Lesen Sie diese Montage- und Gebrauchsanweisung gut durch und bewahren Sie sie in der Nähe der Sauna auf. So können Sie jederzeit Informationen zu Ihrer Sicherheit und zur Bedienung nachlesen.



Sie finden diese Montage- und Gebrauchsanweisung auch im Downloadbereich unserer Webseite auf [www.sentiotec.com/downloads](http://www.sentiotec.com/downloads).

## **Symbole in Warnhinweisen**

In dieser Montage- und Gebrauchsanweisung ist vor Tätigkeiten, von denen eine Gefahr ausgeht, ein Warnhinweis angebracht. Befolgen Sie diese Warnhinweise unbedingt. So vermeiden Sie Sachschäden und Verletzungen, die im schlimmsten Fall sogar tödlich sein können.

In den Warnhinweisen werden Signalwörter verwendet, die folgende Bedeutungen haben:



### **GEFAHR!**

Wenn Sie diesen Warnhinweis nicht beachten, sind Tod oder schwere Verletzungen die Folge.



### **WARNUNG!**

Wenn Sie diesen Warnhinweis nicht beachten, können Tod oder schwere Verletzungen die Folge sein.



### **VORSICHT!**

Wenn Sie diesen Warnhinweis nicht befolgen, können leichte Verletzungen die Folge sein.

## **ACHTUNG!**

Dieses Signalwort warnt Sie vor Sachschäden.

## **Andere Symbole**



Dieses Symbol kennzeichnet Tipps und nützliche Hinweise.



Nicht abdecken!



Bedienungsanleitung lesen

## 2. Wichtige Hinweise zu Ihrer Sicherheit

Der Saunaofen Home fin ist nach anerkannten sicherheitstechnischen Regeln gebaut. Dennoch können bei der Verwendung Gefahren entstehen. Befolgen Sie deshalb die folgenden Sicherheitshinweise und die speziellen Warnhinweise in den einzelnen Kapiteln.

### 2.1. Bestimmungsgemäßer Gebrauch

Der Saunaofen Home fin darf nur zur Erwärmung von Saunakabinen in Kombination mit einer Saunasteuerung ohne Fernstartfunktion verwendet werden.

Nur in Kombination mit der optional erhältlichen Sicherheitsabschaltung darf der Saunaofen Home fin auch mit einer Saunasteuerung, die über eine Fernstartfunktion verfügt, betrieben werden.

Nur in Kombination mit der optional erhältlichen Sicherheitsabschaltung darf der Saunaofen Home fin auch in öffentlichen Saunen eingesetzt werden.

Jeder darüber hinausgehende Gebrauch gilt als nicht bestimmungsgemäß. Nicht bestimmungsgemäßer Gebrauch kann zur Beschädigung des Produkts, zu schweren Verletzungen oder Tod führen.

## 2.2. Sicherheitshinweise für den Monteur

- Montage- und Anschlussarbeiten am Saunaofen dürfen nur im spannungsfreien Zustand durchgeführt werden.
- Die Montage darf nur durch eine Elektrofachkraft oder eine vergleichsweise qualifizierte Person ausgeführt werden.
- Es ist bauseits eine allpolige Trennvorrichtung mit voller Abschaltung entsprechend der Überspannungskategorie III vorzusehen.
- Verwenden Sie zum Anschluss des Saunaofens ausschließlich bis 150 °C temperaturbeständige Silikonleitungen.
- Installieren Sie nur einen Saunaofen in der Kabine. Der Saunaofen Home fin darf nicht gemeinsam mit anderen Saunanöfen in einer Saunakabine verwendet werden.
- Decken und Wände der Saunakabine sind aus harzarmen, unbehandelten oder thermisch behandelten Hölzern, z.B. nordischer Fichte, Hemlock, Kiefer oder Tanne, oder aus Holzlagen-Werkstoffen herzustellen. Bei Verwendung von Holzlagen-Werkstoffen ist darauf zu achten, dass deren Klebstoffe kein Formaldehyd abgeben. Werden andere Werkstoffe als Holz in der Saunakabine eingesetzt, müssen diese Materialien hitze- und korrosionsbeständig sein und dürfen keine negativen Auswirkungen auf die Gesundheit der Saunagäste haben.
- Die Höhe der Saunakabine muss mindestens 1,9 m betragen.
- Beachten Sie die Vorgaben zum Volumen und zur Belüftung der Saunakabine in Kapitel **10. Technische Daten**.
- Beachten Sie beim Aufstellen des Saunaofens die minimalen Sicherheitsabstände (siehe Kapitel **4.2. Sicherheitsabstände**).
- Beachten Sie auch die örtlichen Bestimmungen am Aufstellort.
- Bei Problemen, die in den Montageanweisungen nicht ausführlich genug behandelt werden, wenden Sie sich zu Ihrer eigenen Sicherheit an Ihren Lieferanten.

### 2.3. Sicherheitshinweise für den Anwender

- Das Gerät darf nicht von Kindern unter 8 Jahren verwendet werden.
- Das Gerät darf von Kindern über 8 Jahren, von Personen mit verringerten psychischen, sensorischen oder mentalen Fähigkeiten und von Personen mit Mangel an Erfahrung und Wissen unter folgenden Bedingungen verwendet werden:
  - wenn sie beaufsichtigt werden.
  - wenn ihnen die sichere Verwendung gezeigt wurde und sie die Gefahren, die entstehen können, verstehen.
- Kinder dürfen nicht mit dem Gerät spielen.
- Kinder unter 14 Jahren dürfen das Gerät nur reinigen, wenn sie beaufsichtigt werden.
- Wenn Sie unter dem Einfluss von Alkohol, Medikamenten oder Drogen stehen, verzichten Sie aus gesundheitlichen Gründen auf das Saunabad.
- Nehmen Sie den Saunaofen niemals ohne Saunasteine in Betrieb, da dies Brände verursachen kann.
- Stellen Sie sicher, dass keine brennbaren Gegenstände auf dem Saunaofen liegen, bevor Sie die Saunasteuerung einschalten.
- Heizen Sie VOR dem ersten Saunabad den Saunaofen für eine halbe Stunde auf. Halten Sie sich während dieser Zeit NICHT in der Saunkabine auf. Lüften Sie anschließend die Saunakabine gut durch (siehe **5.2. Erstmaliges Aufheizen** auf Seite 19).
- Berühren Sie niemals den Saunaofen während des Betriebs. Die Oberfläche des Saunaofens und die Saunasteine werden sehr heiß.
- Bei Problemen, die in der Gebrauchsanweisung nicht ausführlich genug behandelt werden, wenden Sie sich zu Ihrer eigenen Sicherheit an Ihren Lieferanten.

## **3. Produktbeschreibung**

### **3.1. Lieferumfang**

- Saunaofen
- Montage- und Gebrauchsanweisung

### **3.2. Produktfunktionen**

Der Saunaofen Home fin ist ein finnischer Saunaofen und ermöglicht die Erzeugung des für die finnische Sauna typischen Saunaklimas von 80 bis 100 °C bei einer Luftfeuchtigkeit von ca. 10 %.



## 4. Montage und Anschluss

Berücksichtigen Sie folgende Punkte beim Aufstellen und beim Anschluss des Saunaofens:



### **WARNUNG!**

#### ***Stromschlag-Gefahr***

- Führen Sie Montage- und Anschlussarbeiten am Saunaofen nur im spannungsfreien Zustand durch.
- 

- Der elektrische Anschluss darf nur durch eine Elektrofachkraft oder eine vergleichsweise qualifizierte Person ausgeführt werden.
- Es ist bauseits eine allpolige Trennvorrichtung mit voller Abschaltung entsprechend der Überspannungskategorie III vorzusehen.
- Der Saunaofen Home fin ist ein Wandofen. Der feste Sitz des Ofens auf der Montageleiste ist vor der Inbetriebnahme zu überprüfen.

### 4.1. Aufstellort und Fühlerposition

Montieren Sie den Ofen mittig vor die Lufteintrittsöffnung an der Kabinenwand. Halten Sie dabei die in **Abb.1** angegebenen Sicherheitsabstände zur Kabinenwand ein.

Montieren Sie den Temperaturfühler mit Übertemperatur-Sicherung an der Kabinenwand oberhalb der Mitte des Saunaofens. Halten Sie einen Abstand von 15 cm zur Kabinendecke ein.

## 4.2. Sicherheitsabstände

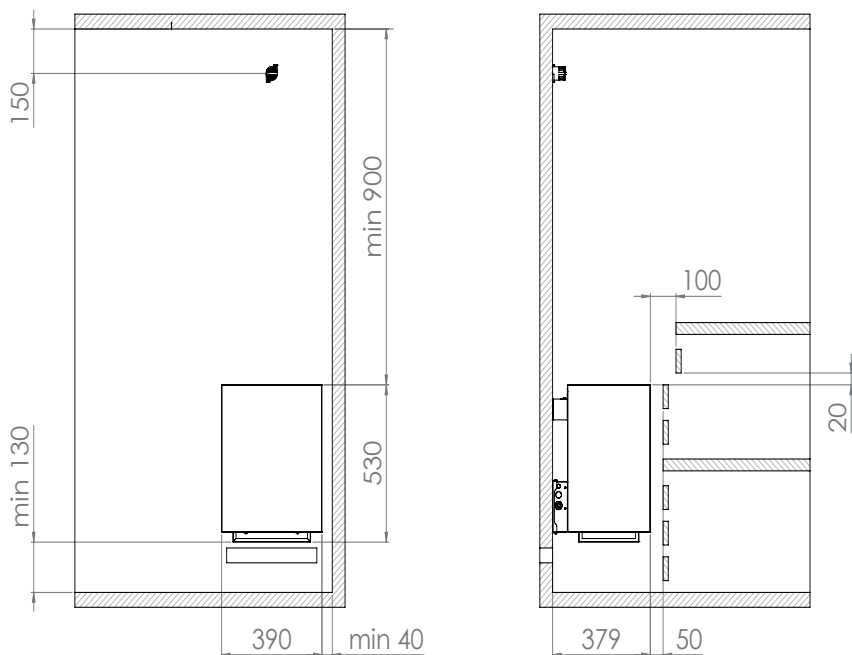
Beachten Sie die in der **Abb.1** angegebenen minimalen Sicherheitsabstände.

### Abb.1 Sicherheitsabstände

Home fin 4,5 kW, 6,0 kW, 7,5 kW und 9,0 kW

(HOME-F45 / HOME-F60 / HOME-F75 / HOME-F90)

Maße in mm



### 4.3. Montage an der Kabinenwand

Beachten Sie die **Abb. 1**, **Abb. 2**, **Abb. 3** und **Abb. 4** (Seite **11**, **12**, **13**).

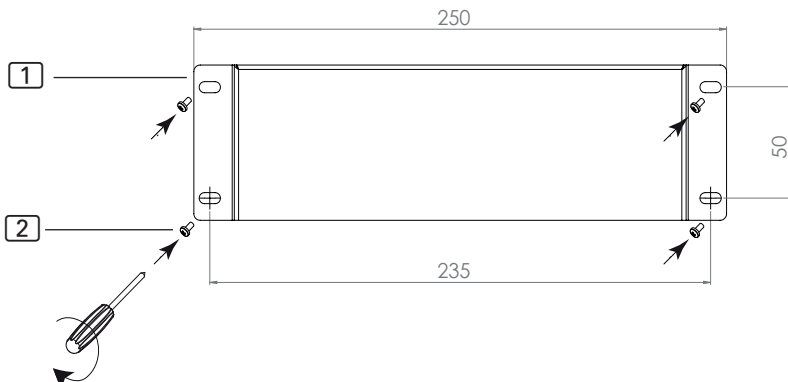
1. Befestigen Sie die Montageleiste **1** waagrecht mit den beiliegenden Holzschrauben **2** an der Wand. Beachten Sie dabei die Mindestabstände des Ofens in Abb. 1.
2. Hängen Sie den Ofen **3** von oben nach unten an der Montageleiste ein. Achten Sie dabei auf den bündigen Sitz des Ofens.
3. Sichern Sie den Ofen **3** mittels beiliegender Sicherungsschraube **4** auf der Montageleiste **1**.



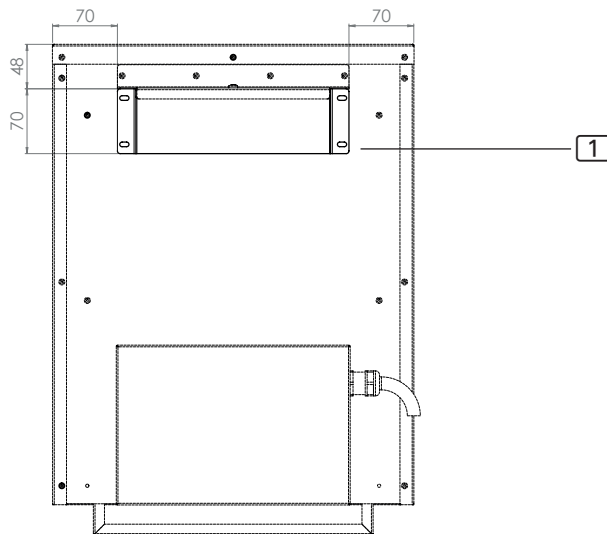
#### **WARNUNG!** **Brandgefahr**

- Um den Ofen zu fixieren und gegen Verrutschen zu sichern, befestigen Sie diesen mit der beiliegenden Sicherungsschraube **4**.

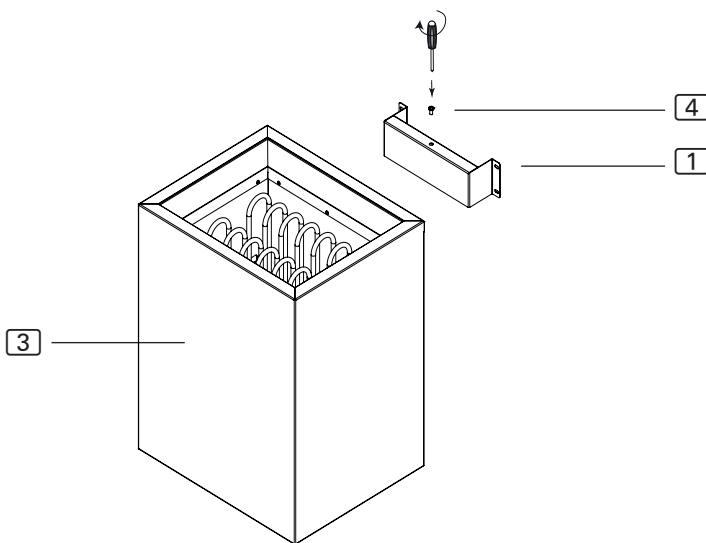
**Abb.2** Montageleiste Home fin  
Maße in mm



**Abb.3** Position der Montageleiste Home fin  
Maße in mm

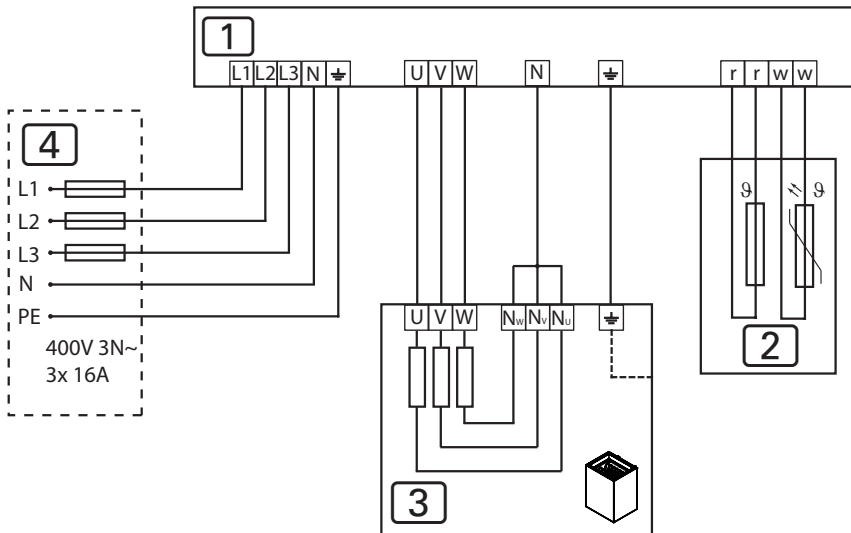


**Abb.4** Sicherung Home fin (Montageleiste)



#### 4.4. Anschlussplan für 400V 3N~

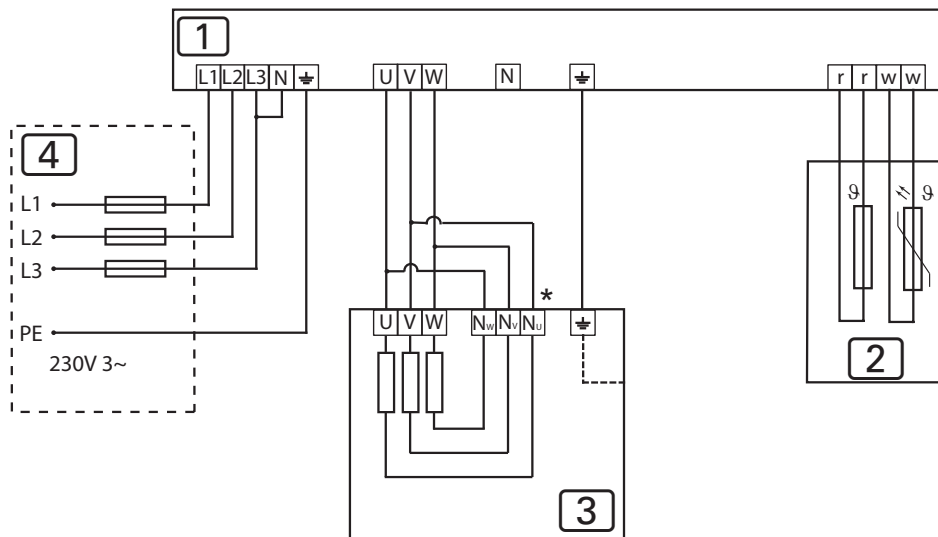
**Abb.5** Anschlussplan 400V 3N~  
Home fin 4,5 kW, 6,0 kW, 7,5 kW und 9,0 kW  
(HOME-F45 / HOME-F60 / HOME-F75 / HOME-F90)



- 1 Saunasteuerung
- 2 Temperaturfühler mit Übertemperatur-Sicherung
- 3 Saunaofen
- 4 Stromversorgung

## 4.5. Anschlussplan für 230V 3~

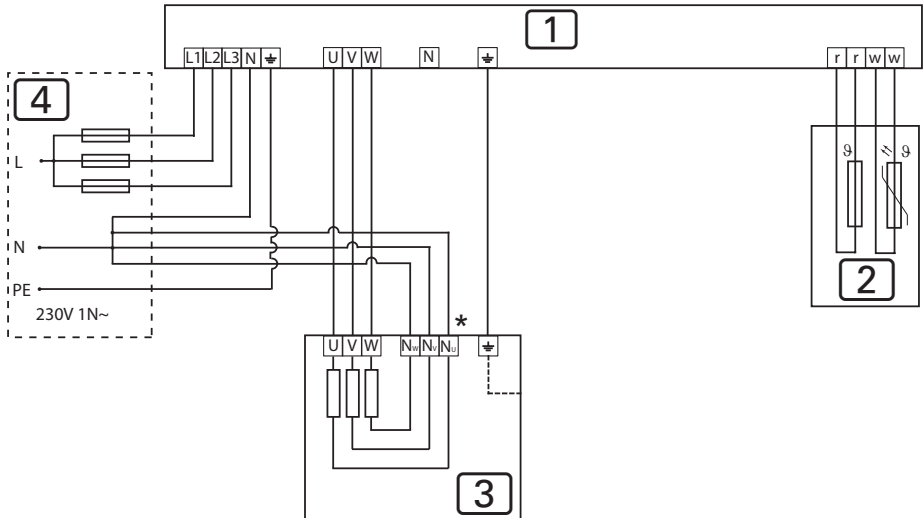
**Abb.6** Anschlussplan 230V 3~  
Home fin 4,5 kW und 6,0 kW  
(HOME-F45 / HOME-F60)



- 1 Saunasteuerung
- 2 Temperaturfühler mit Übertemperatur-Sicherung
- 3 Saunaofen
- 4 Stromversorgung
- \* Kupfer-Brücke entfernen

## 4.6. Anschlussplan für 230V 1N~

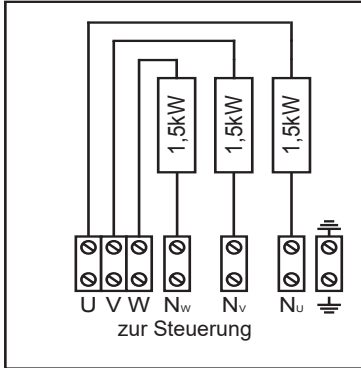
**Abb.7** Anschlussplan 230V 1N~  
 Home fin 4,5 kW, 6,0 kW, 7,5 kW und 9,0 kW  
 (HOME-F45 / HOME-F60 / HOME-F75 / HOME-F90)



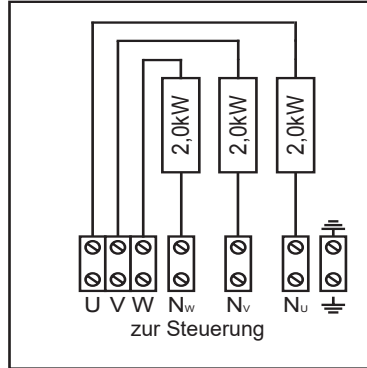
- 1 Saunasteuerung
- 2 Temperaturfühler mit Übertemperatur-Sicherung
- 3 Saunaofen
- 4 Stromversorgung
- \* Kupfer-Brücke entfernen

## 4.7. Verdrahtungsschemen

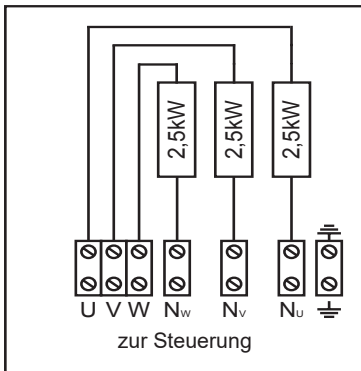
**HOME-F45**  
4,5 kW



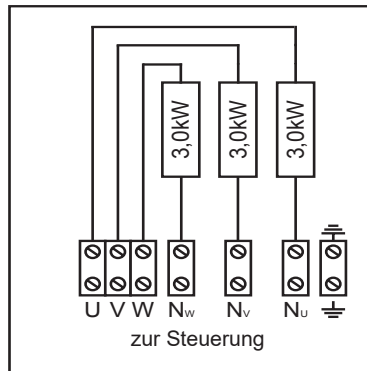
**HOME-F60**  
6,0 kW



**HOME-F75**  
7,5 kW



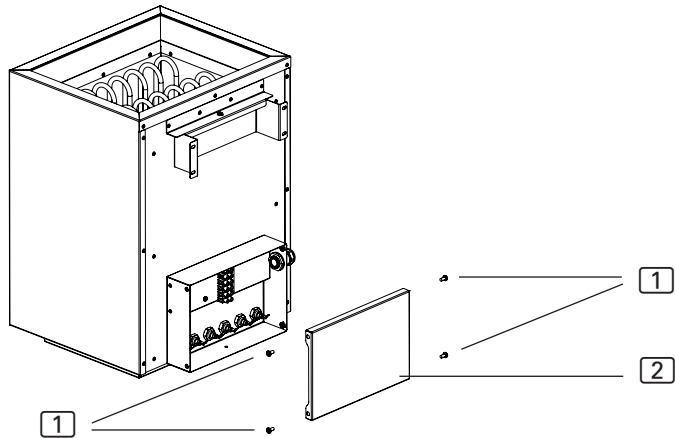
**HOME-F90**  
9,0 kW





## 4.8. Elektrischer Anschluss

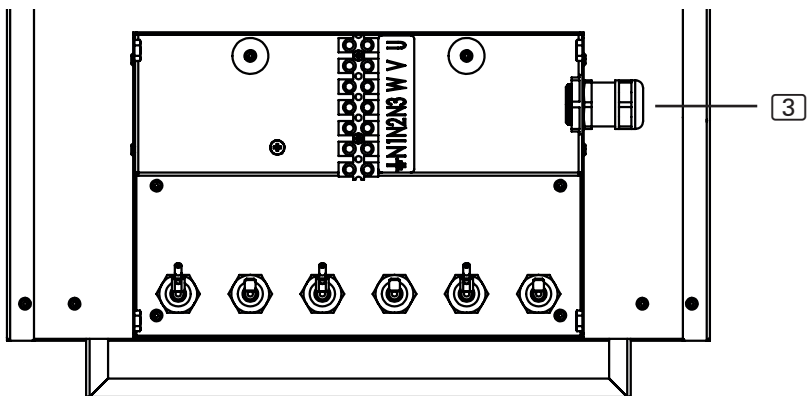
1. Lösen Sie die Schrauben **1** mit einem Schraubendreher.
2. Entfernen Sie das Abdeckblech **2**.



### **Anschluss Home fin 4,5 kW, 6,0 kW, 7,5 kW und 9,0 kW** (HOME-F45 / HOME-F60 / HOME-F75 / HOME-F90)

DE

1. Führen Sie das Anschlusskabel durch die Durchführung **3**.
2. Schließen Sie die Adern des Anschlusskabels je nach Anschlussart an den Klemmen des Saunaofens und an den passenden Klemmen der Saunasteuerung an. Beachten Sie dabei die Montageanleitung der Saunasteuerung.
3. Befestigen Sie das Abdeckblech **1** wieder am Saunaofen.



## 5. Inbetriebnahme

### 5.1. Steinebehälter füllen



#### **WARNUNG!**

#### **Brandgefahr durch Überhitzung**

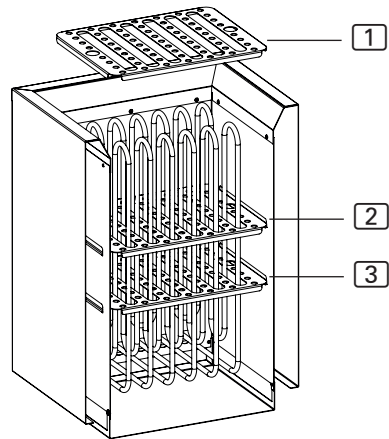
Wird der Saunaofen ohne Saunasteine verwendet, erhitzen sich die Kabinenwände stark. Dadurch können Brände verursacht werden.

- Nehmen Sie den Saunaofen **NIEMALS** ohne Saunasteine in Betrieb.

Das Steingitter **1** kann in zwei verschiedenen Höhen montiert werden.

Position **2**: geringere Steinemenge, kürzere Aufheizzeiten, Energieeinsparung

Position **3** (Position ab Werk): größere Steinemenge, größere Wassermenge beim Aufgießen möglich - dadurch mehr Dampf, längere Aufheizzeiten



Die für Ihren Ofen passende Steinemenge finden Sie im Kapitel **10. Technische Daten** (siehe Seite **24**).

1. Waschen Sie die Saunasteine vor der Verwendung gründlich mit Bürste und Wasser. Verwenden Sie keine Reinigungszusätze.
2. Prüfen Sie die Steine vor dem Einfüllen in den Saunaofen auf Fremdkörper und entfernen Sie Verpackungsreste.
3. Legen Sie die Saunasteine in den Steinbehälter - auch zwischen den Heizstäben. Schichten Sie die Saunasteine locker, damit Luft durch die Zwischenräume strömen kann.
4. **Beachten Sie, dass sich die Heizstäbe NICHT gegenseitig berühren.**
5. Achten Sie darauf, dass die Saunasteine nicht über den Rand des Steinbehälters ragen.

## 5.2. Erstmaliges Aufheizen



### VORSICHT!

#### ***Rauch- und Geruchsbildung beim ersten Aufheizen***

Auf neuen Heizstäben befinden sich Betriebsstoffe aus dem Fertigungsprozess. Diese zersetzen sich beim ersten Aufheizen des Saunaofens. Dabei entsteht Rauch und unangenehmer Geruch. Wenn Sie diese Dämpfe oder den Rauch einatmen, schadet dies Ihrer Gesundheit.

Führen Sie folgende Schritte durch, wenn Sie Ihren Saunaofen **erstmalig in Betrieb** nehmen und wenn die **Heizstäbe Ihres Saunaofens getauscht** wurden. Sie verhindern so Gesundheitsschäden durch Dämpfe und Rauch, die beim ersten Aufheizen entstehen.

1. Wählen Sie an der Saunasteuerung die höchst mögliche Temperatur.
2. Heizen Sie den Saunaofen für eine halbe Stunde auf.  
**Halten Sie sich während dieser Zeit NICHT in der Saunakabine auf.**
3. Lüften Sie nach dem ersten Aufheizen die Saunakabine gut durch.
4. Wenn beim nächsten Aufheizen kein Rauch und kein Geruch mehr entstehen, können Sie mit dem ersten Saunabad beginnen.  
Wenn erneut Rauch oder Geruch entsteht, verlassen Sie sofort die Saunakabine und wiederholen Sie das erstmalige Aufheizen mit anschließendem Lüften.

## 6. Bedienung

---

**WARNUNG!****Brandgefahr**

Brennbare Gegenstände, die auf dem heißen Saunaofen liegen, entzünden sich und verursachen Brände.

- Legen Sie NIEMALS brennbare Gegenstände auf den Saunaofen.
  - Stellen Sie sicher, dass KEINE brennbaren Gegenstände auf dem Saunaofen liegen, bevor Sie den Saunaofen in Betrieb nehmen.
- 

### 6.1. Saunaofen bedienen

Die Bedienung des Saunaofens erfolgt über eine Saunasteuerung. Für Informationen zur Bedienung der Saunasteuerung lesen Sie die Bedienungsanleitung des verwendeten Geräts. Beachten Sie, dass der Saunaofen hom.com4 fin nur für Saunasteuerungen ohne Fernstartfunktion geeignet ist.

### 6.2. Aufgießen

Am Ende des Saunaganges können Sie einen Aufguss durchführen. Gießen Sie dazu Wasser mit einer Saunakelle über die Saunasteine. Dadurch wird das Wasser verdampft und die Luftfeuchtigkeit in der Saunakabine erhöht.

Beachten sie beim Aufguss folgende Punkte:

- Verwenden Sie zum Aufgießen nur Leitungswasser. Meerwasser, stark kalkhaltiges und chloriertes Wasser können den Saunaofen beschädigen.
- Verwenden Sie nur Duftstoffe und ätherische Öle, die ausdrücklich für die Verwendung als Aufgussmittel in Saunen geeignet sind. Beachten Sie die Herstellerangaben auf der Verpackung der Aufgussmittel.
- Gießen Sie das Wasser nicht zu schnell über die Saunasteine. Nur dann wird das Aufgusswasser vollständig verdampft.

## 7. Wartung

### 7.1. Längere Betriebspausen

Bei feuchten Umgebungsbedingungen oder langen Betriebspausen reichert sich Feuchtigkeit in den Heizstäben an. Dies ist ein physikalischer Vorgang und kein Fehler des Herstellers. Die Feuchtigkeit in den Heizstäben kann zum Auslösen des FI-Schutzschalters führen. Verständigen Sie in diesem Fall zur Fehlerbehebung eine Elektrofachkraft (siehe Kapitel **9. Problemlösung durch den Monteur**).



Heizen Sie den Saunaofen alle 5 bis 6 Wochen für ca. 15 Minuten auf. So verhindern Sie, dass sich bei längeren Betriebspausen Wasser in den Heizstäben anreichert.

### 7.2. Saunaofen reinigen

Achten Sie darauf, dass die Belüftungsöffnungen frei von Flusen und Staub sind. So verhindern Sie, dass die Luftzirkulation im Saunaofen eingeschränkt wird und das Gerät überhitzt.

### 7.3. Saunasteine wechseln

Saunasteine werden durch Aufgussmittel und große Temperaturunterschiede, die bei der Benutzung auftreten, beansprucht. Die Saunasteine können angegriffen und brüchig werden.

Überprüfen Sie die Saunasteine in regelmäßigen Abständen und tauschen Sie die Steine mindestens einmal jährlich.



#### **WARNUNG!**

#### ***Brandgefahr durch Überhitzung***

Wird der Saunaofen ohne Saunasteine verwendet, erhitzen sich die Kabinenwände stark. Dadurch können Brände verursacht werden.

- Nehmen Sie den Saunaofen **NIEMALS** ohne Saunasteine in Betrieb.

1. Entfernen Sie die alten Saunasteine.
2. Befreien Sie den Steinbehälter von Kalkrückständen, Staub und anderen Verunreinigungen.
3. Waschen Sie die Saunasteine vor der Verwendung gründlich mit Bürste und Wasser. Verwenden Sie keine Reinigungszusätze.
4. Prüfen Sie die Steine vor dem Einfüllen in den Saunaofen auf Fremdkörper und entfernen Sie Verpackungsreste.
5. Legen Sie die Saunasteine in den Steinbehälter. Schichten Sie die Saunasteine locker, damit Luft durch die Zwischenräume strömen kann.
6. Achten Sie darauf, dass die Saunasteine nicht über den Rand des Steinbehälters ragen.

## 8. Entsorgung



- Entsorgen Sie die Verpackungsmaterialien nach den gültigen Entsorgungsrichtlinien.
- Altgeräte enthalten wiederverwendbare Materialien, aber auch schädliche Stoffe. Geben Sie Ihr Altgerät deshalb auf keinen Fall in den Restmüll, sondern entsorgen Sie das Gerät nach den örtlich geltenden Vorschriften.

## 9. Problemlösung durch den Monteur

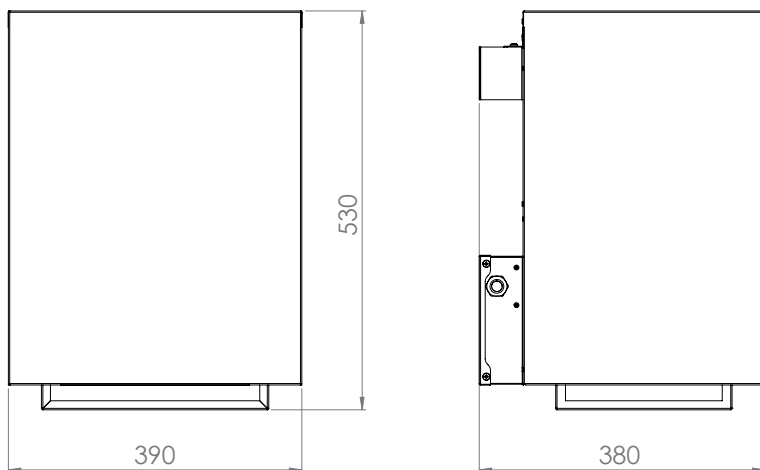
### *Heizstäbe ausheizen*

Bei feuchten Umgebungsbedingungen oder langen Betriebspausen kann es zu einer Anreicherung von Feuchtigkeit in den Heizstäben kommen. Dies ist ein physikalischer Vorgang und kein Fehler des Herstellers. Die Feuchtigkeit in den Heizstäben kann unter Umständen zum Auslösen des FI-Schutzschalters führen.

In diesem Fall ist es notwendig, den Saunaofen unter Aufsicht einer Elektrofachkraft auszuheizen. Dabei muss die Schutzfunktion des FI-Schalters außer Kraft gesetzt werden. Der Ausheizvorgang nimmt ca. 10 Minuten in Anspruch. Danach muss die Sicherungsfunktion des FI-Schalters wiederhergestellt werden.

Sollte das Problem weiterhin bestehen, wenden Sie sich an Ihren Lieferanten.

**Abb.8** Abmessungen Home fin 4,5 kW, 6,0 kW 7,5 kW und 9,0 kW  
(HOME-F45 / HOME-F60 / HOME-F75 / HOME-F90)  
Maße in mm



## 10. Technische Daten

Die Abmessungen entnehmen Sie der **Abb.8**.

<i>Artikelnummer</i>	<i>Leistung [kW]</i>	<i>Kabinenvolumen [m<sup>3</sup>]</i>	<i>Mindestgröße Belüftungsöffnung [mm]</i>	<i>Gewicht ohne Steine [kg]</i>
HOME-F45	4,5	3 - 6	350 x 25	15
HOME-F60	6,0	5 - 9	350 x 30	15
HOME-F75	7,5	7 - 13	350 x 35	15
HOME-F90	9,0	8 - 14	350 x 50	15

<i>Artikelnummer</i>	<i>Steinmenge [kg]</i>	<i>Absicherung [A]</i>	<i>Versorgung</i>
HOME-F45	ca. 20 / 30	3 x 10	400 V AC 3N~ 50/60 Hz 230 V AC 1N~ 50/60 Hz 230 V AC 3~ 50/60 Hz
HOME-F60	ca. 20 / 30	3 x 10	400 V AC 3N~ 50/60 Hz 230 V AC 1N~ 50/60 Hz 230 V AC 3~ 50/60 Hz
HOME-F75	ca. 20 / 30	3 x 16	400 V AC 3N~ 50/60 Hz 230 V AC 1N~ 50/60 Hz
HOME-F90	ca. 20 / 30	3 x 16	400 V AC 3N~ 50/60 Hz 230 V AC 1N~ 50/60 Hz

<i>Artikelnummer</i>	<i>Heizstäbe</i>
HOME-F45	3 x HP-HOME-150 (1-043-617)
HOME-F60	3 x HP-HOME-200 (1-043-618)
HOME-F75	3 x HP-HOME-250 (1-043-619)
HOME-F90	3 x HP-HOME-300 (1-043-620)



# Poêle de sauna

## Home fin

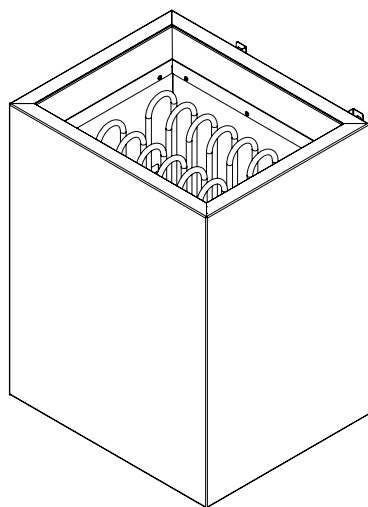
HOME-F45 / 1-039-794: Home fin 4,5 kW

HOME-F60 / 1-039-795: Home fin 6,0 kW

HOME-F75 / 1-039-796: Home fin 7,5 kW

HOME-F90 / 1-039-797: Home fin 9,0 kW

### INSTRUCTIONS DE MONTAGE ET MODE D'EMPLOI Français



FR

# Table des matières

<b>1. Concernant ces instructions</b>	<b>4</b>
<b>2. Remarques importantes relatives à votre sécurité</b>	<b>5</b>
2.1. Usage conforme	5
2.2. Consignes de sécurité pour le monteur	6
2.3. Consignes de sécurité pour l'utilisateur	7
<b>3. Description du produit</b>	<b>9</b>
3.1. Contenu de la livraison	9
3.2. Fonctions du produit	9
<b>4. Montage et raccordement</b>	<b>10</b>
4.1. Lieu d'installation et position de la sonde	10
4.2. Distances de sécurité	11
4.3. Montage sur la paroi de la cabine	12
4.4. Schéma de raccordement pour 400V 3N~	14
4.5. Schéma de raccordement pour 230V 3~	15
4.6. Schéma de raccordement pour 230V 1N~	16
4.7. Schémas de câblage	17
4.8. Branchements électriques	18
<b>5. Mise en service</b>	<b>19</b>
5.1. Remplissage du réservoir de pierres	19
5.2. Premier chauffage	20
<b>6. Exploitation</b>	<b>21</b>
6.1. Commande du poêle de sauna	21
6.2. Arrosage	21

<b>7. Entretien</b>	<b>22</b>
7.1. Périodes d'arrêt prolongées.....	22
7.2. Nettoyage du poêle de sauna.....	22
7.3. Remplacement des pierres à sauna.....	22
<b>8. Élimination</b>	<b>23</b>
<b>9. Dépannage par le monteur</b>	<b>24</b>
<b>10. Caractéristiques techniques</b>	<b>25</b>

# 1. Concernant ces instructions

Lisez attentivement les présentes instructions de montage et d'utilisation et conservez-les à proximité du sauna. Vous pourrez ainsi consulter à tout moment les informations relatives à son utilisation et à votre sécurité.



Ces instructions de montage et d'utilisation sont également disponibles dans la rubrique de téléchargement de notre site Internet [www.sentiotec.com/downloads](http://www.sentiotec.com/downloads).

## **Symboles d'avertissement**

Dans ces instructions de montage et d'utilisation, un avertissement précède les activités représentant un danger. Conformez-vous impérativement à ces avertissements. Vous éviterez ainsi des dommages matériels et des blessures qui, dans le pire des cas, peuvent être mortelles.

Ces avertissements utilisent des termes clés ayant la signification suivante :



### **DANGER**

Si vous ne respectez pas cet avertissement, il y a un risque de blessures graves voire mortelles.



### **AVERTISSEMENT**

Si vous ne respectez pas cet avertissement, il y a un risque éventuel de blessures graves voire mortelles.



### **PRUDENCE**

Le non-respect de cet avertissement peut entraîner des blessures légères.

### **ATTENTION**

Ce terme clé vous avertit de dommages matériels éventuels.

## **Autres symboles**



Ce symbole désigne les conseils et indications utiles.



Ne pas couvrir !



Lire le mode d'emploi

## **2. Remarques importantes relatives à votre sécurité**

Le poêle de sauna Home fin a été construit selon l'état de la technique et les règles de sécurité reconnues. Cependant, des dangers peuvent survenir lors de l'utilisation. C'est pourquoi vous devez suivre les consignes de sécurité suivantes et les avertissements spécifiques des différents chapitres.

### **2.1. Usage conforme**

Le poêle Home fin a pour unique fonction de chauffer les cabines de sauna et cela, avec une commande sans fonction de démarrage à distance ni de marche programmée.

Le poêle de sauna Home fin peut être utilisé également avec une commande pour sauna disposant d'une fonction de démarrage à distance, uniquement en combinaison avec l'extinction de sécurité disponible en option.

Le poêle de sauna Home fin peut être utilisé également dans des saunas publics, uniquement en combinaison avec l'extinction de sécurité disponible en option.

Toute autre utilisation sera considérée non conforme. Un usage non conforme peut endommager le produit et provoquer de graves blessures, voire la mort.

## 2.2. Consignes de sécurité pour le monteur

- Les travaux de montage et de raccordement du poêle pour sauna doivent être effectués uniquement lorsque l'appareil n'est pas sous tension.
- Seul un électricien spécialisé ou une personne ayant une qualification similaire est habilité à procéder au montage.
- Un dispositif de coupure totale du circuit sur tous les pôles (catégorie de surtension III) doit être prévu par le client.
- Pour le raccordement du poêle pour sauna, utilisez exclusivement des lignes en silicone résistant à des températures allant jusqu'à 150 °C.
- Installez un seul poêle pour sauna par cabine. Le poêle pour sauna Home fin ne doit pas être utilisé avec d'autres poêles pour sauna dans une même cabine de sauna.
- Les plafonds et parois de la cabine de sauna doivent être fabriqués en bois peu résineux, non traités ou traités thermiquement, par ex. pin nordique, tsuga, pin ou sapin, ou en matériaux composés de couches de bois. En cas d'utilisation de matériaux composés de couches de bois, veillez à ce que leurs colles n'émettent pas de formaldéhyde. Si d'autres matériaux que le bois sont utilisés dans la cabine de sauna, ils doivent résister à la chaleur et à la corrosion et ne doivent avoir aucun effet négatif sur la santé des utilisateurs du sauna.
- La cabine de sauna doit mesurer au moins 1,9 m de hauteur.
- Respectez les indications concernant le volume et la ventilation de la cabine de sauna du chapitre **10. Caractéristiques techniques**.
- Lors de l'installation du poêle pour sauna, respectez les distances minimales de sécurité (voir chapitre **4.2. Distances de sécurité**).
- Respectez également les dispositions légales du lieu d'installation.
- En cas de problèmes insuffisamment traités dans les instructions de montage, adressez-vous à votre fournisseur pour votre propre sécurité.

### 2.3. Consignes de sécurité pour l'utilisateur

- L'appareil ne doit pas être utilisé par des enfants de moins de 8 ans.
- L'appareil peut être utilisé par des enfants de plus de 8 ans, par des personnes ayant des capacités psychiques, sensorielles ou mentales limitées et par des personnes manquant d'expérience et de connaissances aux conditions suivantes :
  - lorsqu'ils sont surveillés ;
  - lorsque l'utilisation en toute sécurité leur a été montrée et qu'ils comprennent les dangers qui peuvent survenir.
- Les enfants ne doivent pas jouer avec l'appareil.
- Les enfants de moins de 14 ans peuvent nettoyer l'appareil uniquement s'ils sont surveillés.
- Pour des raisons liées à votre santé, n'utilisez pas le sauna lorsque vous êtes sous l'influence de l'alcool, de médicaments ou de drogues.
- Ne faites jamais fonctionner le poêle pour sauna sans pierres à sauna, cela pourrait provoquer des incendies.
- Assurez-vous qu'aucun objet inflammable ne se trouve sur le poêle de sauna avant d'allumer la commande du sauna.
- AVANT de commencer à utiliser le sauna, faites chauffer le poêle pour sauna pendant une demi-heure. Pendant ce temps, NE restez PAS dans la cabine de sauna. Ensuite, aérez bien la cabine de sauna (voir **5.2. Premier chauffage** à la page **19**).
- Ne touchez jamais le poêle pour sauna pendant son fonctionnement. Les surfaces du poêle pour sauna et les pierres à sauna sont très chaudes.
- En cas de problèmes insuffisamment traités dans le mode d'emploi, adressez-vous à votre fournisseur pour votre propre sécurité.

## **3. Description du produit**

### **3.1. Contenu de la livraison**

- Poêle de sauna
- Instructions de montage et mode d'emploi

### **3.2. Fonctions du produit**

Le poêle pour sauna Home fin est un poêle pour sauna finlandais et permet de créer le climat typique du sauna finlandais, à savoir une température de 80 à 100 °C, avec une humidité de l'air d'environ 10 %.



## 4. Montage et raccordement

Tenez compte des points suivants lors de l'installation et du raccordement du poêle pour sauna :



### **AVERTISSEMENT**

#### ***Risque d'électrocution***

- Effectuez les travaux de montage et de raccordement du poêle pour sauna uniquement lorsque celui-ci n'est pas sous tension.

- Seul un électricien spécialisé ou une personne ayant une qualification similaire est habilité à procéder au raccordement électrique.
- Un dispositif de coupure totale du circuit sur tous les pôles (catégorie de surtension III) doit être prévu par le client.
- Le poêle de sauna Home fin est de type mural. Procédez à un contrôle de stabilité et de fixation sur la barre de montage avant la mise en service.

### 4.1. Lieu d'installation et position de la sonde

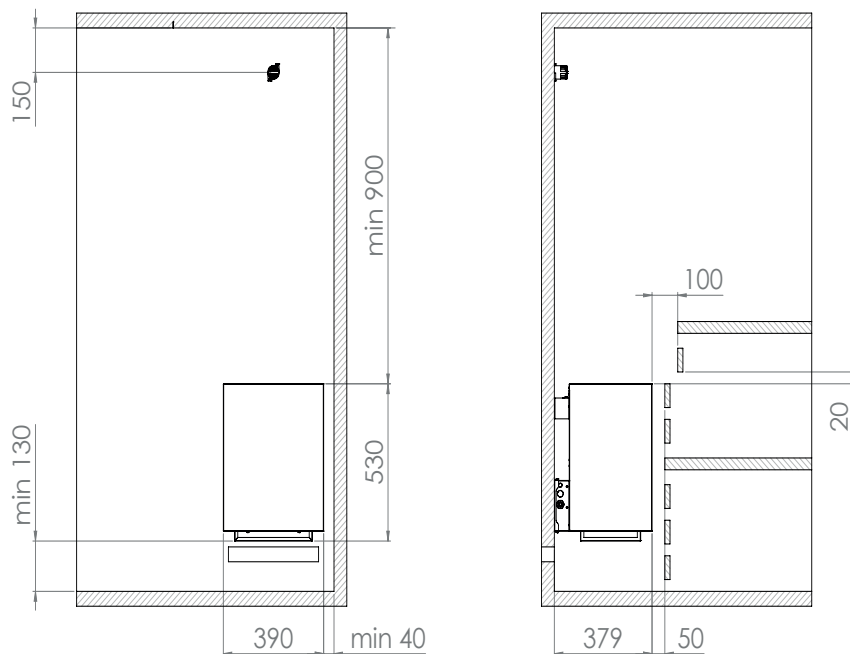
La position de montage du poêle doit être centrale, devant l'orifice d'admission d'air de la paroi de la cabine. Ce faisant, respectez les distances de sécurité par rapport à la paroi de la cabine indiquées à la **Fig. 1**.

Montez la sonde de température à limiteur de température de sécurité au niveau de la paroi de la cabine, au-dessus du centre du poêle pour sauna. Respectez une distance de 15 cm par rapport au plafond de la cabine.

## 4.2. Distances de sécurité

Respectez les distances de sécurité minimales indiquées sur la **Fig. 1**.

**Fig. 1** Distances de sécurité  
Home fin 4,5 kW, 6,0 kW, 7,5 kW et 9,0 kW  
(HOME-F45 / HOME-F60 / HOME-F75 / HOME-F90)  
Dimensions en mm



### 4.3. Montage sur la paroi de la cabine

Reportez-vous aux **fig. 1, 2, 3 et 4** (pages **11, 12 et 13**).

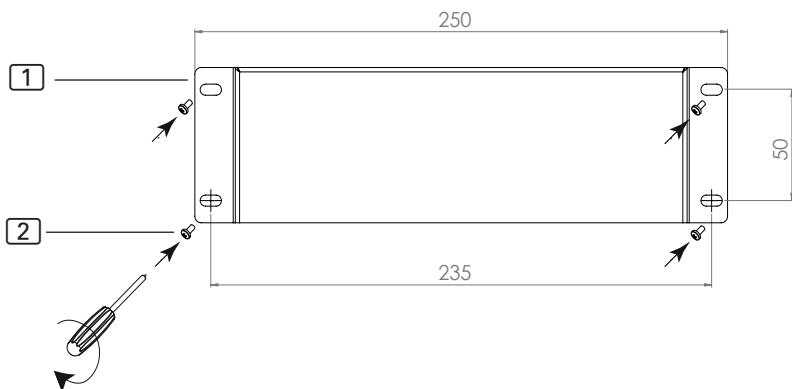
1. Fixez la barre de montage **[1]** horizontalement au mur avec les vis à bois **[2]** fournies. Reportez-vous à la fig. 1 en ce qui concerne les distances minimales du poêle.
2. Accrochez le poêle **[3]** du haut vers le bas à la barre de montage en veillant à ce qu'il soit parfaitement affleurant.
3. Fixez le poêle **[3]** à la barre de montage **[1]** avec la vis fournie **[4]**.



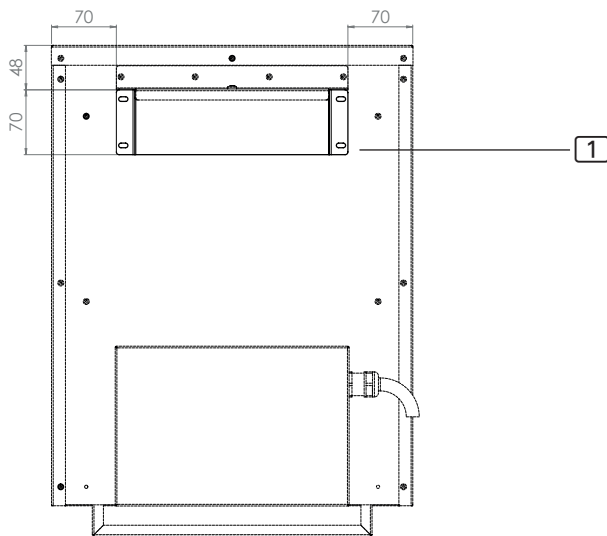
#### **AVERTISSEMENT** *Risque d'incendie*

- Fixez le poêle avec la vis fournie **[4]** afin de prévenir tout glissement.

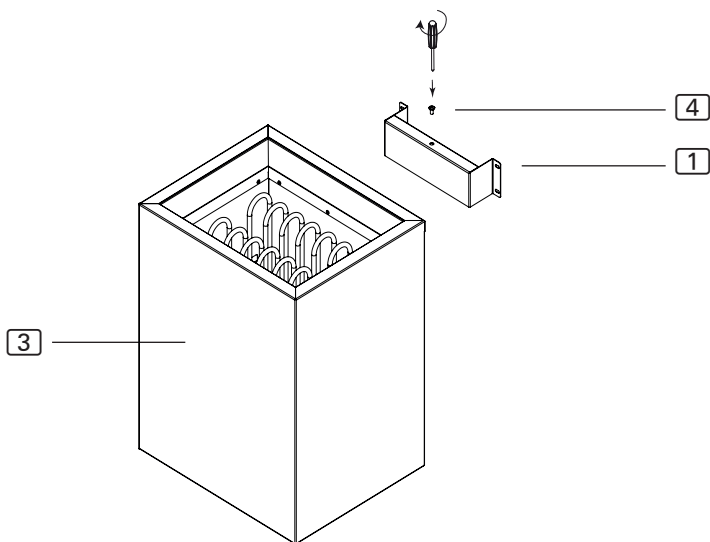
**Fig. 2** Barre de montage Home fin  
Dimensions en mm



**Fig. 3** Position de la barre de montage Home fin  
Dimensions en mm

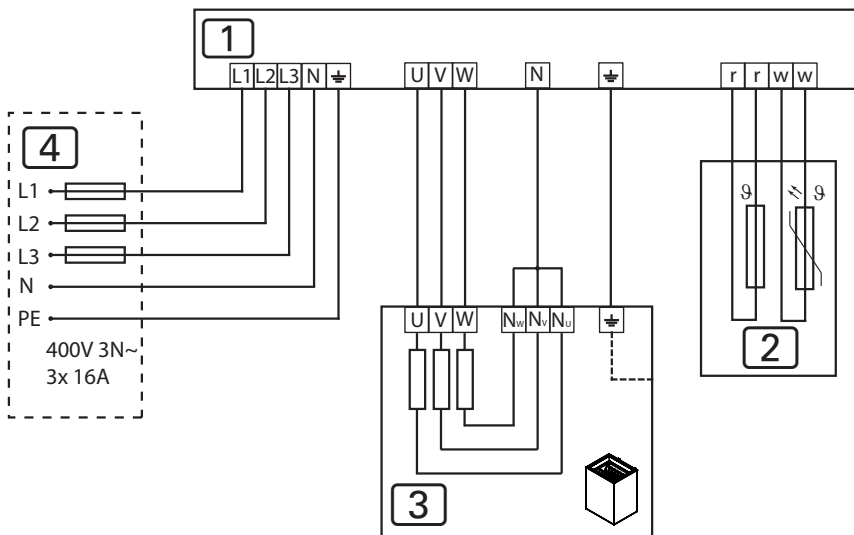


**Fig. 4** Fixation Home fin (barre de montage)



#### 4.4. Schéma de raccordement pour 400V 3N~

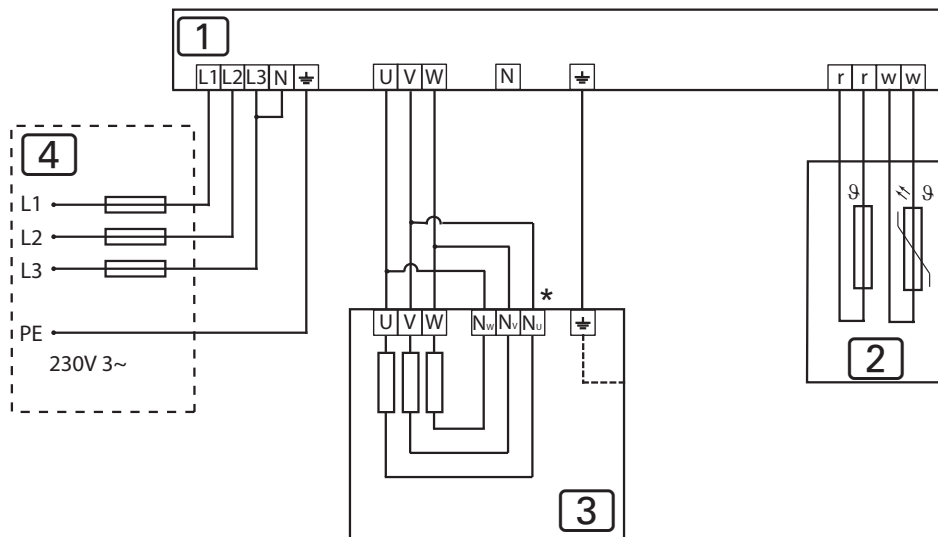
**Fig. 5** Schéma de raccordement 400V 3N~  
Home fin 4,5 kW, 6,0 kW, 7,5 kW et 9,0 kW  
(HOME-F45 / HOME-F60 / HOME-F75 / HOME-F90)



- 1 Commande de sauna
- 2 Sonde de température avec limiteur de température de sécurité
- 3 Poêle de sauna
- 4 Alimentation électrique

## 4.5. Schéma de raccordement pour 230V 3~

**Fig. 6** Anschlussplan 230V 3~  
Home fin 4,5 kW und 6,0 kW  
(HOME-F45 / HOME-F60)



1 Commande de sauna

2 Sonde de température avec limiteur de température de sécurité

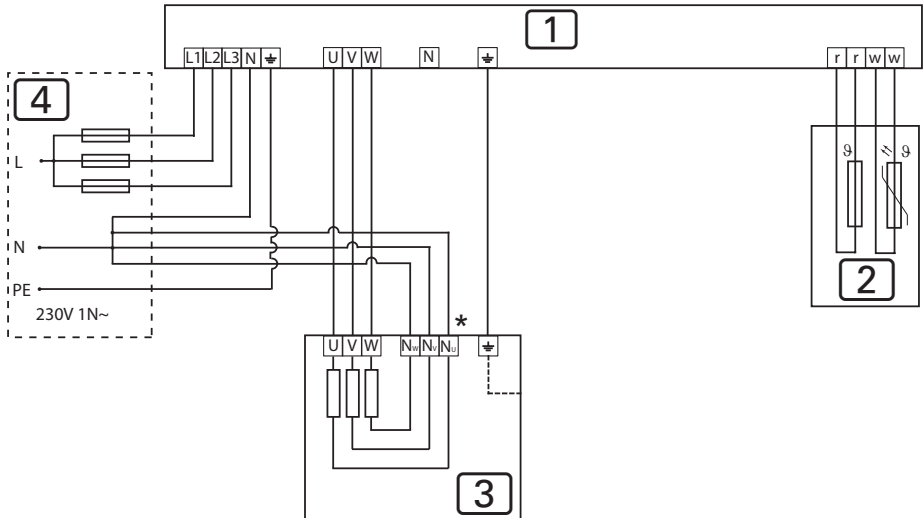
3 Poêle de sauna

4 Alimentation électrique

\* Retirer le cavalier de cuivre

## 4.6. Schéma de raccordement pour 230V 1N~

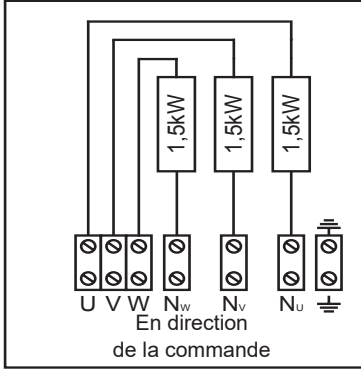
**Fig. 7** Anschlussplan 230V 1N~  
Home fin 4,5 kW, 6,0 kW, 7,5 kW und 9,0 kW  
(HOME-F45 / HOME-F60 / HOME-F75 / HOME-F90)



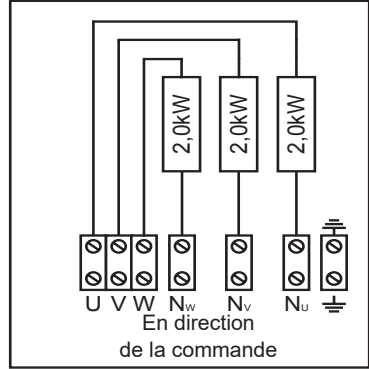
- 1 Commande de sauna
- 2 Sonde de température avec limiteur de température de sécurité
- 3 Poêle de sauna
- 4 Alimentation électrique
- \* Retirer le cavalier de cuivre

## 4.7. Schémas de câblage

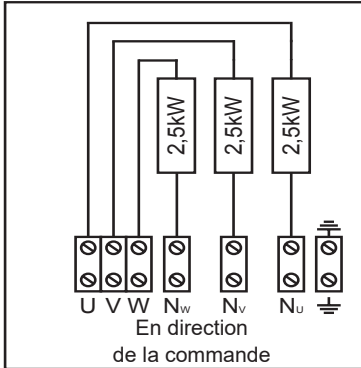
**HC4-FIN-45**  
4,5 kW



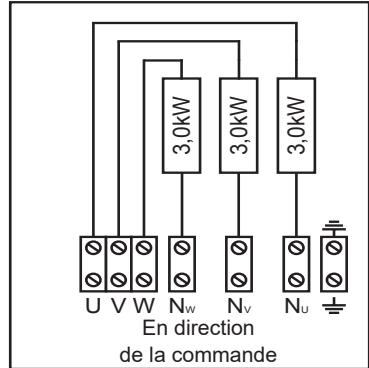
**HC4-FIN-60**  
6,0 kW



**HC4-FIN-75**  
7,5 kW



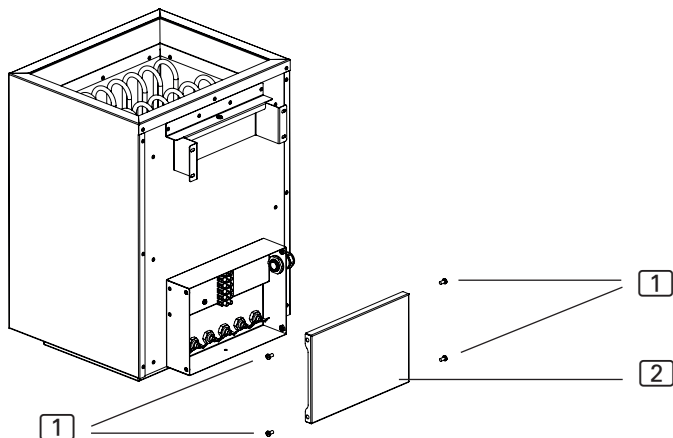
**HC4-FIN-90**  
9,0 kW





## 4.8. Branchements électriques

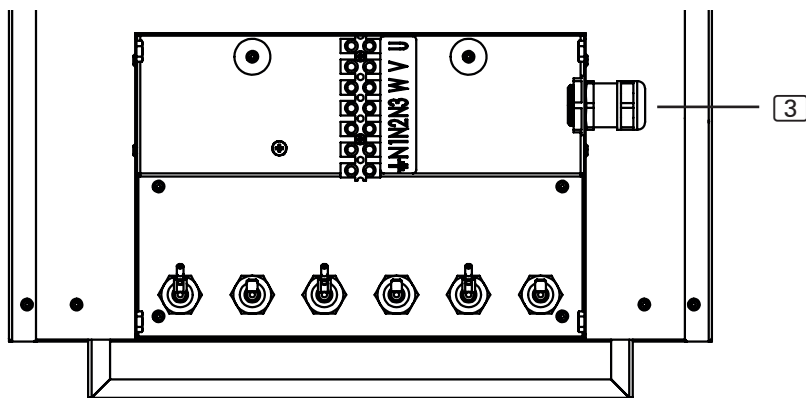
1. Desserrez les vis [1] à l'aide d'un tournevis.
2. Retirez le cache en tôle [2].



### **Raccordement Home fin 4,5 kW, 6,0 kW, 7,5 kW et 9,0 kW** (HOME-F45 / HOME-F60 / HOME-F75 / HOME-F90)

1. Faites passer le câble de raccordement par le passage de câbles [3].
2. Raccordez les fils du câble de raccordement aux bornes du poêle pour sauna selon le type de raccordement ainsi qu'aux bornes correspondantes de la commande du sauna. Ce faisant, conformez-vous aux instructions de montage de la commande du sauna.
3. Fixez de nouveau le cache en tôle [1] sur le poêle pour sauna.

FR



## 5. Mise en service

### 5.1. Remplissage du réservoir de pierres



#### AVERTISSEMENT

#### *Risque d'incendie dû à la surchauffe*

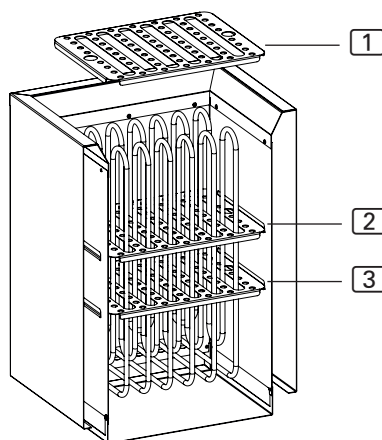
Si le poêle pour sauna est utilisé sans pierres à sauna, les parois de la cabine chauffent fortement. Cela peut provoquer des incendies.

- NE mettez JAMAIS le poêle pour sauna en marche sans pierres à sauna.

La grille pour pierres [1] peut être montée à deux hauteurs différentes.

Position [2] : petite quantité de pierres, temps de chauffe courts, économie d'énergie

Position [3] (position départ usine) : grande quantité de pierres, plus grande quantité possible d'addition d'eau, d'où davantage de vapeur, temps de chauffe plus longs



Vous trouverez la quantité de pierres correspondant à votre poêle au chapitre **10. Caractéristiques techniques** (page 24).

1. Avant utilisation, nettoyez soigneusement les pierres pour sauna à l'eau, à l'aide d'une brosse. N'utilisez pas de produits de nettoyage.
2. Avant de les placer dans le poêle pour sauna, vérifiez que les pierres ne comportent pas de corps étrangers et retirez les restes d'emballage.
3. Placez les pierres à sauna dans le réservoir de pierres, également entre les thermoplongeurs. Disposez les pierres à sauna sans les serrer, afin que l'air puisse passer entre les interstices.
4. **Veillez à ce que les thermoplongeurs ne se touchent PAS les uns les autres.**
5. Veillez à ce que les pierres à sauna ne dépassent pas du bord du réservoir de pierres.

## 5.2. Premier chauffage



### PRUDENCE

#### ***Formation de fumée et de mauvaises odeurs lors du premier chauffage***

Sur les thermoplongeurs neufs se trouvent des matières consommables issues du processus de fabrication. Celles-ci se décomposent lors du premier chauffage du poêle pour sauna. Cela provoque de la fumée et des odeurs désagréables. Le fait de respirer ces vapeurs ou la fumée nuit à votre santé.

Procédez aux opérations suivantes lorsque vous mettez votre poêle pour sauna **en service pour la première fois** et lorsque les **thermoplongeurs de votre poêle pour sauna ont été remplacés**. Vous évitez ainsi des dommages pour votre santé provoqués par les vapeurs et la fumée se formant lors du premier chauffage.

1. Sur la commande du sauna, sélectionnez la température la plus élevée possible.
2. Faites chauffer le poêle pour sauna pendant une demi-heure.  
**Pendant ce temps, NE restez PAS dans la cabine de sauna.**
3. Après le premier chauffage, aérez bien la cabine de sauna.
4. Si plus aucune fumée ni aucune odeur ne se forment lors du prochain chauffage, vous pouvez commencer à utiliser votre sauna.  
Si de la fumée ou des odeurs apparaissent de nouveau, quittez immédiatement la cabine de sauna et répétez la procédure de premier chauffage, suivie d'une aération.

## 6. Exploitation

---



### **AVERTISSEMENT**

#### ***Risque d'incendie***

Des objets inflammables se trouvant sur le poêle de sauna brûlant peuvent s'enflammer et provoquer des incendies.

- NE placez JAMAIS de matériaux inflammables sur le poêle.
  - Assurez-vous qu'AUCUN objet inflammable ne se trouve sur le poêle pour sauna avant de mettre le sauna en marche.
- 

### 6.1. Commande du poêle de sauna

L'utilisation du poêle pour sauna s'effectue grâce à une commande pour sauna. Pour obtenir des informations concernant l'utilisation de la commande pour sauna, lisez le mode d'emploi de l'appareil correspondant. Notez que le poêle de sauna Concept R mini ne convient qu'aux commandes sans fonction de démarrage à distance ni de marche programmée.

### 6.2. Arrosage

À la fin de l'utilisation du sauna, vous pouvez effectuer un arrosage. Pour ce faire, versez de l'eau sur les pierres à sauna à l'aide d'une louche pour sauna. Cela fait évaporer l'eau et augmente l'humidité de l'air dans la cabine.

Lors de l'arrosage, respectez les points suivants :

- utilisez uniquement de l'eau du robinet pour l'arrosage. L'eau de mer, une eau très calcaire et de l'eau chlorée peuvent endommager le poêle pour sauna.
- Utilisez uniquement des parfums et des huiles essentielles pour lesquels il est expressément indiqué qu'ils peuvent être utilisés pour l'arrosage dans des saunas. Suivez les consignes données par le fabricant sur l'emballage des essences.
- Ne versez pas l'eau trop vite sur les pierres à sauna. Cela permet que l'eau d'arrosage s'évapore totalement.

## 7. Entretien

### 7.1. Périodes d'arrêt prolongées

En cas d'humidité ambiante ou de longues périodes d'arrêt, de l'humidité s'accumule dans les thermoplongeurs. Il s'agit d'un phénomène physique et non d'un défaut de fabrication. L'humidité des thermoplongeurs peut provoquer le déclenchement du disjoncteur. Dans ce cas, contactez un électricien qualifié pour le dépannage (voir chapitre 9. **Dépannage par le monteur**).



Faites chauffer le poêle pour sauna toutes les 5 à 6 semaines pendant env. 15 minutes. Vous évitez ainsi que de l'eau ne s'accumule dans les thermoplongeurs lors de longues périodes d'arrêt.

### 7.2. Nettoyage du poêle de sauna

Veillez à ce que les ouvertures de ventilation soient exemptes de peluches et de poussières. Vous évitez ainsi que la circulation de l'air dans le poêle pour sauna soit limitée et que l'appareil chauffe excessivement.

### 7.3. Remplacement des pierres à sauna

Les pierres à sauna sont très sollicitées par les produits utilisés pour l'arrosage et les importantes différences de température survenant lors de l'utilisation. Les pierres à sauna peuvent être attaquées et devenir cassantes.

Contrôlez les pierres à sauna à intervalles réguliers et remplacez les pierres au moins une fois par an.



#### **AVERTISSEMENT**

#### ***Risque d'incendie dû à la surchauffe***

Si le poêle pour sauna est utilisé sans pierres à sauna, les parois de la cabine chauffent fortement. Cela peut provoquer des incendies.

- NE mettez JAMAIS le poêle pour sauna en marche sans pierres à sauna.

1. Retirez les anciennes pierres à sauna.
2. Nettoyez le réservoir de pierres pour retirer les dépôts de calcaire, la poussière et autres impuretés.
3. Avant utilisation, nettoyez soigneusement les pierres pour sauna à l'eau, à l'aide d'une brosse. N'utilisez pas de produits de nettoyage.
4. Avant de les placer dans le poêle pour sauna, vérifiez que les pierres ne comportent pas de corps étrangers et retirez les restes d'emballage.
5. Placez les pierres à sauna dans le réservoir de pierres. Disposez les pierres à sauna sans les serrer, afin que l'air puisse passer entre les interstices.
6. Veillez à ce que les pierres à sauna ne dépassent pas du bord du réservoir de pierres.

## 8. Élimination



- Éliminez les matériaux d'emballage conformément aux directives en vigueur relatives à l'élimination.
- Les appareils usagés contiennent des matériaux recyclables, mais aussi des substances toxiques. Par conséquent, ne jetez en aucun cas votre appareil usagé avec les déchets ménagers. Éliminez-le conformément aux directives locales en vigueur.

## 9. Dépannage par le monteur

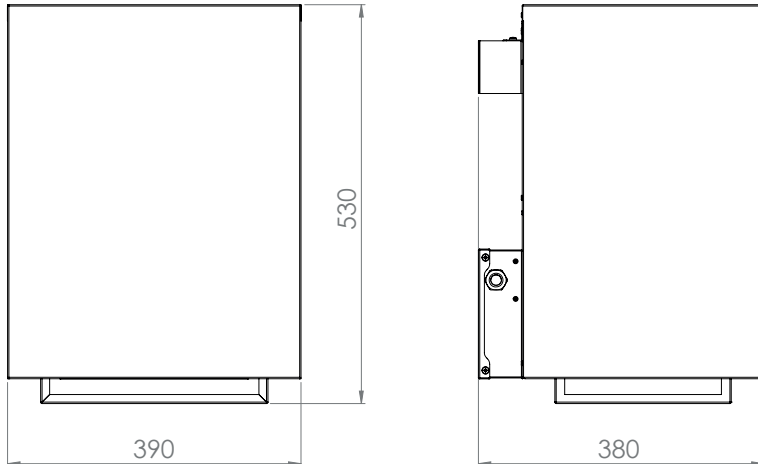
### *Chauffage des thermoplongeurs*

En cas d'humidité ambiante ou de longues périodes d'arrêt, de l'humidité peut s'accumuler dans les thermoplongeurs. Il s'agit d'un phénomène physique et non d'un défaut de fabrication. L'humidité des thermoplongeurs peut éventuellement provoquer le déclenchement du disjoncteur.

Dans ce cas, il est nécessaire de faire chauffer le poêle pour sauna sous la surveillance d'un électricien qualifié. Ce faisant, la fonction de protection du disjoncteur doit être mise hors service. La procédure de chauffage prend env. 10 minutes. La fonction de protection du disjoncteur doit ensuite être rétablie.

Si le problème persiste, adressez-vous à votre fournisseur.

**Fig. 8** Dimensions Home fin 4,5 kW, 6,0 kW, 7,5 kW et 9,0 kW  
(HOME-F45 / HOME-F60 / HOME-F75 / HOME-F90)  
Dimensions en mm



## 10. Caractéristiques techniques

Dimensions : reportez-vous à la **Abb.8**.

<i>Référence</i>	<i>Puis- sance [kW]</i>	<i>Volume de la ca- bine [m<sup>3</sup>]</i>	<i>Taille minimale de l'ouverture de ven- tilation [mm]</i>	<i>Poids sans pierres [kg]</i>
HOME-F45	4,5	De 3 à 6	350 x 25	15
HOME-F60	6,0	De 5 à 9	350 x 30	15
HOME-F75	7,5	De 7 à 13	350 x 35	15
HOME-F90	9,0	De 8 à 14	350 x 50	15

<i>Référence</i>	<i>Quantité de pierres [kg]</i>	<i>Fusible [A]</i>	<i>Alimentation</i>
HOME-F45	ca. 20 / 30	3 x 10	400 V AC 3N~ 50/60 Hz 230 V AC 1N~ 50/60 Hz 230 V AC 3~ 50/60 Hz
HOME-F60	ca. 20 / 30	3 x 10	400 V AC 3N~ 50/60 Hz 230 V AC 1N~ 50/60 Hz 230 V AC 3~ 50/60 Hz
HOME-F75	ca. 20 / 30	3 x 16	400 V AC 3N~ 50/60 Hz 230 V AC 1N~ 50/60 Hz
HOME-F90	ca. 20 / 30	3 x 16	400 V AC 3N~ 50/60 Hz 230 V AC 1N~ 50/60 Hz

<i>Référence</i>	<i>Thermoplongeurs</i>
HOME-F45	3 x HP-HOME-150 (1-043-617)
HOME-F60	3 x HP-HOME-200 (1-043-618)
HOME-F75	3 x HP-HOME-250 (1-043-619)
HOME-F90	3 x HP-HOME-300 (1-043-620)



# Stufa per sauna

## Home fin

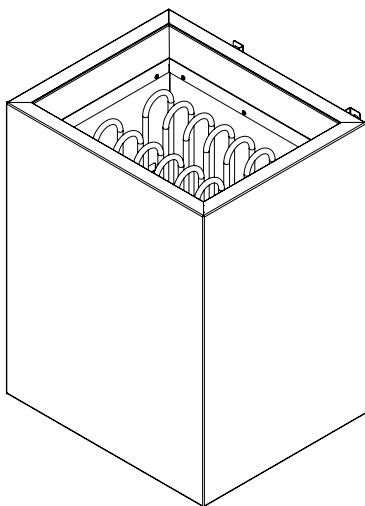
HOME-F45 / 1-039-794: Home fin 4,5 kW

HOME-F60 / 1-039-795: Home fin 6,0 kW

HOME-F75 / 1-039-796: Home fin 7,5 kW

HOME-F90 / 1-039-797: Home fin 9,0 kW

### ISTRUZIONI D'USO E DI MONTAGGIO Italiano



IT

# Indice

<b>1. Informazioni sul presente manuale</b>	<b>4</b>
<b>2. Importanti indicazioni per la sicurezza personale</b>	<b>5</b>
2.1. Conformità d'uso	5
2.2. Indicazioni di sicurezza per l'installatore	6
2.3. Indicazioni di sicurezza per l'utilizzatore	7
<b>3. Descrizione del prodotto</b>	<b>9</b>
3.1. Dotazione	9
3.2. Funzioni del prodotto	9
<b>4. Montaggio e collegamento</b>	<b>10</b>
4.1. Luogo di installazione e posizione della sonda	10
4.2. Distanze di sicurezza	11
4.3. Montaggio alla parete della cabina	12
4.4. Schema di collegamento per 400V 3N~	14
4.5. Schema di collegamento per 230V 3~	15
4.6. Schema di collegamento per 230V 1N~	16
4.7. Schemi di cablaggio	17
4.8. Collegamento elettrico	18
<b>5. Messa in funzione</b>	<b>19</b>
5.1. Riempimento del contenitore delle pietre	19
5.2. Primo riscaldamento	20
<b>6. Utilizzo</b>	<b>21</b>
6.1. Utilizzo della stufa per sauna	21
6.2. Gettata di vapore in sauna	21

<b>7. Manutenzione</b>	<b>22</b>
7.1. Pause di funzionamento prolungate.....	22
7.2. Pulizia della stufa per sauna.....	22
7.3. Sostituzione delle pietre.....	22
<b>8. Smaltimento</b>	<b>23</b>
<b>9. Risoluzione del problema con l'intervento di un installatore</b>	<b>24</b>
<b>10. Dati tecnici</b>	<b>25</b>

# 1. Informazioni sul presente manuale

Leggere attentamente le presenti istruzioni di montaggio e d'uso e conservarle vicino alla sauna. Così è possibile controllare in qualsiasi momento le informazioni sulla sicurezza personale e sull'utilizzo della sauna.



Le presenti istruzioni di montaggio e d'uso si trovano anche nell'area di download della nostra pagina web all'indirizzo: [www.sentiotec.com/downloads](http://www.sentiotec.com/downloads).

## Simboli nelle avvertenze

Nelle presenti istruzioni di montaggio e d'uso, prima di ogni attività che genera un pericolo, è applicata un'avvertenza. Osservare sempre queste avvertenze. Così facendo, si evitano danni a beni materiali e lesioni che, nel peggiore dei casi, possono essere addirittura mortali.

Nelle avvertenze vengono utilizzati pittogrammi che hanno i seguenti significati:



### **PERICOLO!**

L'inosservanza di questa avvertenza causa lesioni gravi o addirittura mortali.



### **AVVERTENZA!**

L'inosservanza di questa avvertenza può causare lesioni gravi o addirittura mortali.



### **ATTENZIONE!**

L'inosservanza di questa avvertenza può causare lesioni lievi.

### **ATTENZIONE!**

Questo pittogramma avverte della possibilità di danni a beni materiali.

## Altri simboli



Questo simbolo evidenzia consigli e indicazioni utili.



Non coprire!



Leggere il manuale di istruzioni

## **2. Importanti indicazioni per la sicurezza personale**

La stufa per sauna Home fin è costruita secondo le regole di sicurezza tecniche riconosciute. Tuttavia, durante l'utilizzo, possono presentarsi pericoli. Osservare pertanto le seguenti indicazioni di sicurezza e le avvertenze speciali riportate nei singoli capitoli.

### **2.1. Conformità d'uso**

La stufa per sauna Home fin può essere utilizzata unicamente per riscaldare le cabine della sauna in combinazione con un comando sauna senza funzione di avvio remoto e preselezione oraria.

Solo se in combinazione con il disinserimento di sicurezza disponibile come opzione, la stufa per sauna Home fin può essere azionata anche con un comando della sauna dotato di funzione di avvio remoto.

Solo in combinazione con il disinserimento di sicurezza disponibile come opzione è consentito azionare la stufa per saune Home fin anche in saune pubbliche.

Qualsiasi altro utilizzo è considerato improprio. Un utilizzo improprio può causare danni al prodotto e lesioni gravi o mortali alle persone.

## 2.2. Indicazioni di sicurezza per l'installatore

- I lavori di montaggio e di collegamento della stufa per sauna devono essere eseguiti solo in assenza di tensione.
- Il montaggio deve essere eseguito solo da elettricisti o da persone con una qualifica simile.
- Per l'installazione, predisporre sul posto un dispositivo di separazione su tutti i poli con disinnesto totale corrispondente alla categoria di sovratensione III.
- Per collegare la stufa per sauna, utilizzare solamente tubi in silicone termoresistenti fino a una temperatura di 150°C.
- Installare la stufa per sauna solo nella cabina. La stufa per sauna Home fin non deve essere utilizzata insieme ad altre stufe nella stessa cabina.
- Il soffitto e la pareti della cabina della sauna devono essere costruiti in legno a basso contenuto di resina, non trattato o termotrattato, ad es. abete rosso nordico, tsuga, pino o abete o in materiali in strati di legno. Se si utilizzano materiali in strati di legno, assicurarsi che le colle ivi presenti non rilascino formaldeide. Se nella cabina vengono utilizzati altri materiali, questi devono essere resistenti al calore e alla corrosione e non devono avere effetti negativi sulla salute di chi fa la sauna.
- La cabina deve avere un'altezza di almeno 1,9 m.
- Osservare i valori prescritti per il volume e la ventilazione della cabina per sauna al capitolo **10. Dati tecnici**.
- Durante l'installazione della stufa per sauna osservare le distanze di sicurezza minime (vedi capitolo **4.2. Distanze di sicurezza**).
- Osservare anche le disposizioni locali valide nel luogo di installazione.
- Qualora si presentassero problemi non trattati in modo esaustivo nelle presenti istruzioni di montaggio, rivolgersi per la sicurezza personale al proprio fornitore.

### 2.3. Indicazioni di sicurezza per l'utilizzatore

- Il dispositivo non deve essere utilizzato da bambini di età inferiore agli 8 anni.
- Questo dispositivo può essere utilizzato da bambini sopra gli 8 anni di età, da persone con capacità fisiche, sensoriali o mentali limitate o prive della sufficiente esperienza e del know-how necessari, nelle seguenti condizioni:
  - se sono in presenza di persone responsabili per loro;
  - se è stato spiegato loro come utilizzare il dispositivo in modo sicuro e sono chiari i pericoli che ne possono derivare.
- Ai bambini non è permesso giocare con il dispositivo.
- I bambini al di sotto dei 14 anni possono pulire il dispositivo solo in presenza di adulti.
- Se si è sotto l'effetto di alcol, medicinali o droghe, evitare, per motivi di salute, di entrare in sauna.
- Non mettere mai in funzione la stufa per sauna senza le pietre perché potrebbero verificarsi incendi.
- Prima di accendere il dispositivo di comando della sauna, assicurarsi che sulla stufa non si trovino oggetti infiammabili.
- PRIMA dell'utilizzo iniziale della sauna, riscaldare la stufa per mezz'ora. NON rimanere nella cabina della sauna durante questo arco di tempo. Quindi aerare bene la cabina (vedi **5.2. Primo riscaldamento** a pagina 19).
- Non toccare mai la stufa per sauna durante il funzionamento. La superficie della stufa per sauna e le pietre si scaldano molto.
- Qualora si presentassero problemi non trattati in modo esaustivo nelle istruzioni per l'uso, per la vostra sicurezza, vi preghiamo di rivolgervi al vostro fornitore.

## **3. Descrizione del prodotto**

### **3.1. Dotazione**

- Stufa per sauna
- Istruzioni di montaggio e d'uso

### **3.2. Funzioni del prodotto**

La stufa per sauna Home fin è una stufa per sauna finlandese e consente la creazione di un clima tipico da 80 a 100 °C, con un'umidità dell'aria di circa il 10%.



## 4. Montaggio e collegamento

Tenere presente i seguenti punti durante l'installazione e il collegamento della stufa per sauna:



### **AVVERTENZA!**

#### ***Pericolo di scossa elettrica***

- Eseguire i lavori di montaggio e collegamento alla stufa per sauna solo in assenza di tensione.
- 

- Il collegamento elettrico deve essere eseguito solo da elettricisti specializzati o da persone con una qualifica simile.
- Per l'installazione, predisporre sul posto un dispositivo di separazione su tutti i poli con disinnesto totale corrispondente alla categoria di sovratensione III.
- La stufa per sauna Home fin è una stufa da parete. Prima della messa in funzione è necessario verificare che la stufa sia stata fissata bene sulla barra di montaggio.

### 4.1. Luogo di installazione e posizione della sonda

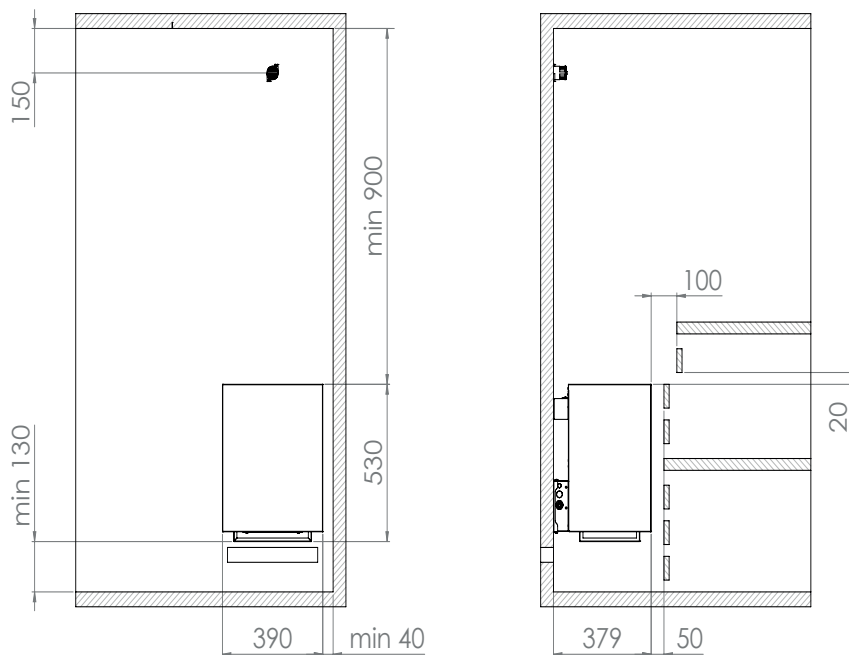
Montare la stufa centralmente davanti all'apertura dell'entrata dell'aria sulla parete della cabina. Durante quest'operazione mantenere le distanze di sicurezza indicate nella **Fig. 1** rispetto alla parete della cabina.

Montare la sonda termica con fusibile termico di protezione alla parete della cabina al di sopra del centro della stufa della sauna. Rispettare una distanza di 15 cm dal tetto della cabina.

## 4.2. Distanze di sicurezza

Osservare le distanze di sicurezza minime indicate nella **Fig. 1**.

**Fig. 1** Distanze di sicurezza  
Home fin 4,5 kW, 6,0 kW, 7,5 kW und 9,0 kW  
(HOME-F45 / HOME-F60 / HOME-F75 / HOME-F90)  
Dimensioni in mm



### 4.3. Montaggio alla parete della cabina

Osservare le **fig. 1**, **fig. 2**, **fig. 3** e **fig. 4** (pagina **11**, **12**, **13**).

1. Fissare orizzontalmente alla parete la barra di montaggio **[1]** con le viti in legno fornite **[2]**. Rispettare le distanze minime della stufa nella fig. 1.
2. Appendere la stufa **[3]** dall'alto in basso sulla barra di montaggio. La stufa deve essere posizionata saldamente.
3. Assicurare la stufa **[3]** per mezzo della vite di sicurezza fornita **[4]** alla barra di montaggio **[1]**.

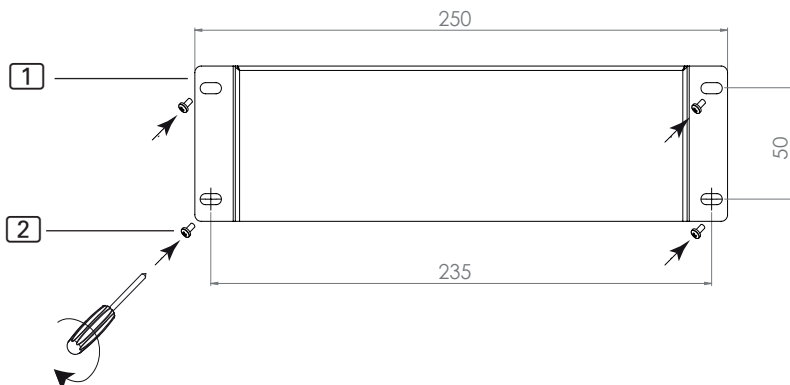


#### AVVERTENZA!

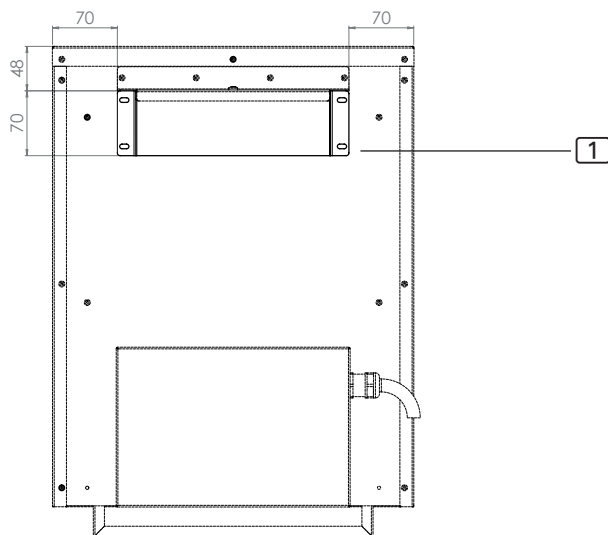
#### *Pericolo di incendio*

- Per fissare la stufa ed evitare che si sposti, utilizzare la vite di sicurezza **[4]** fornita in dotazione.

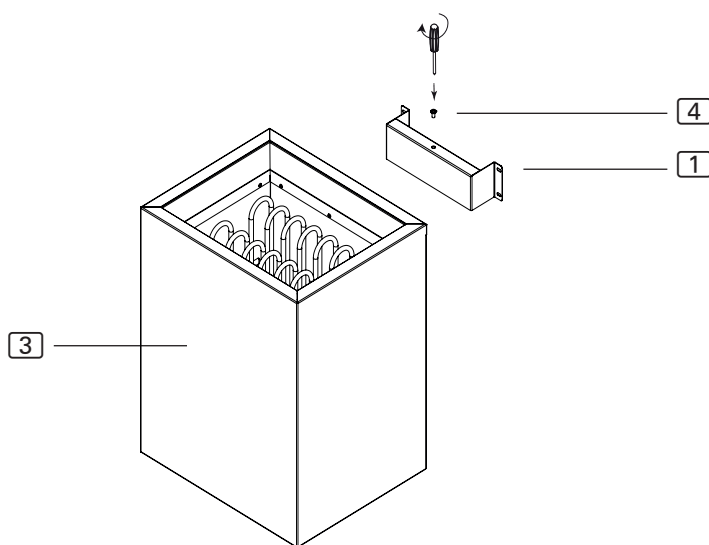
**Fig. 2** Barra di montaggio Home fin  
Dimensioni in mm



**Fig. 3** Posizione della barra di montaggio Home fin  
Dimensioni in mm

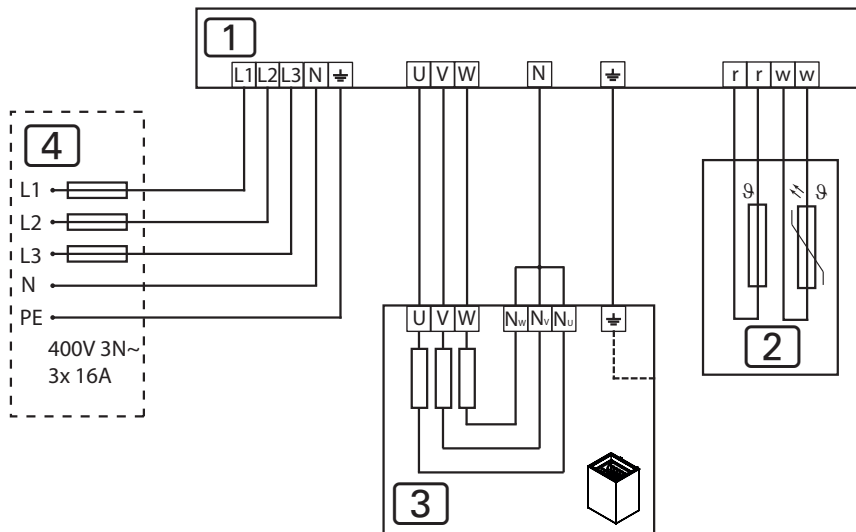


**Fig. 4** Fissaggio di sicurezza Home fin (barra di montaggio)



#### 4.4. Schema di collegamento per 400V 3N~

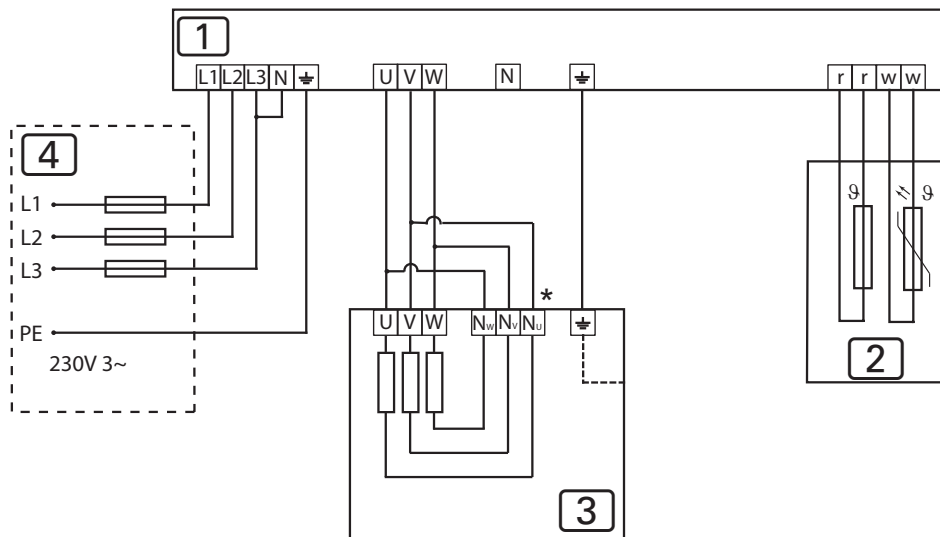
**Fig. 5** Schema di collegamento 400V 3N~  
Home fin 4,5 kW, 6,0 kW, 7,5 kW e 9,0 kW  
(HOME-F45 / HOME-F60 / HOME-F75 / HOME-F90)



- 1 Comando della sauna
- 2 Sonda termica con fusibile termico di protezione
- 3 Stufa della sauna
- 4 Alimentazione di corrente

## 4.5. Schema di collegamento per 230V 3~

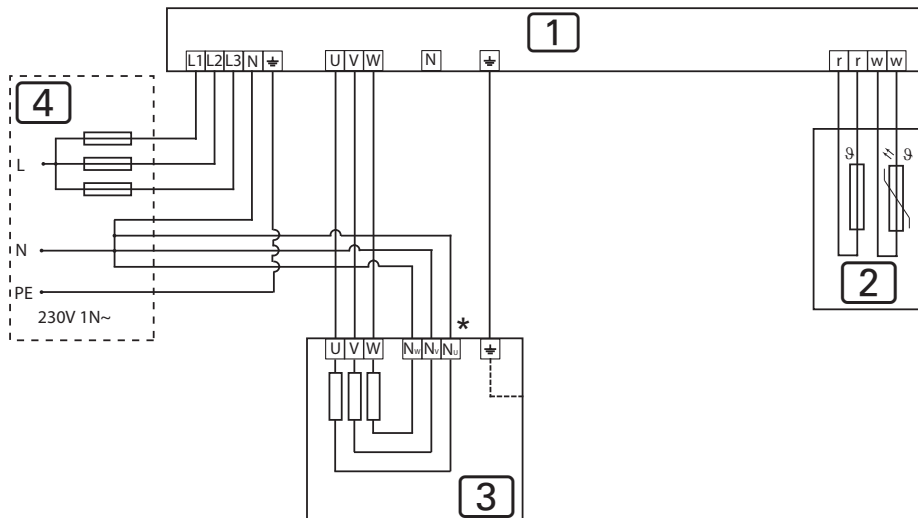
**Fig. 6** Anschlussplan 230V 3~  
Home fin 4,5 kW und 6,0 kW  
(HOME-F45 / HOME-F60)



- 1 Comando della sauna
- 2 Sonda termica con fusibile termico di protezione
- 3 Stufa della sauna
- 4 Alimentazione di corrente
- \* Rimuovere il ponte in rame

## 4.6. Schema di collegamento per 230V 1N~

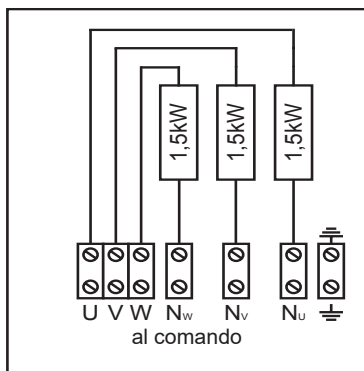
**Fig. 7** Anschlussplan 230V 1N~  
Home fin 4,5 kW, 6,0 kW, 7,5 kW und 9,0 kW  
(HOME-F45 / HOME-F60 / HOME-F75 / HOME-F90)



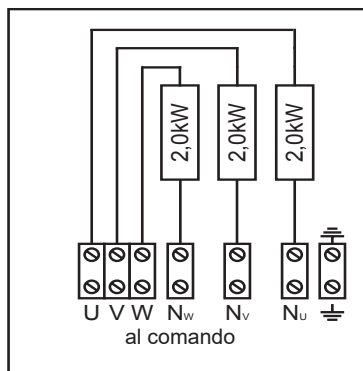
- 1 Comando della sauna
- 2 Sonda termica con fusibile termico di protezione
- 3 Stufa della sauna
- 4 Alimentazione di corrente
- \* Rimuovere il ponte in rame

## 4.7. Schemi di cablaggio

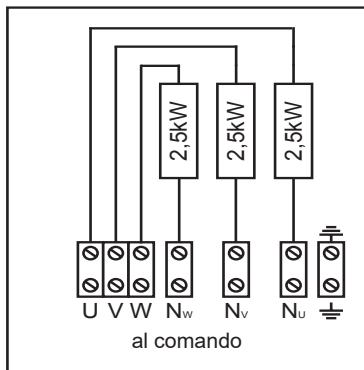
**HC4-FIN-45**  
4,5 kW



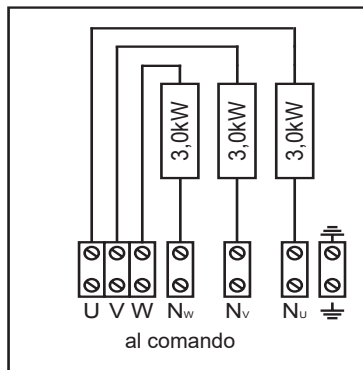
**HC4-FIN-60**  
6,0 kW



**HC4-FIN-75**  
7,5 kW



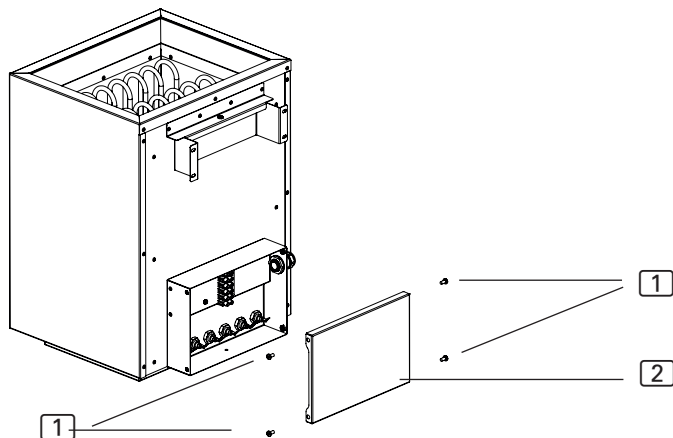
**HC4-FIN-90**  
9,0 kW





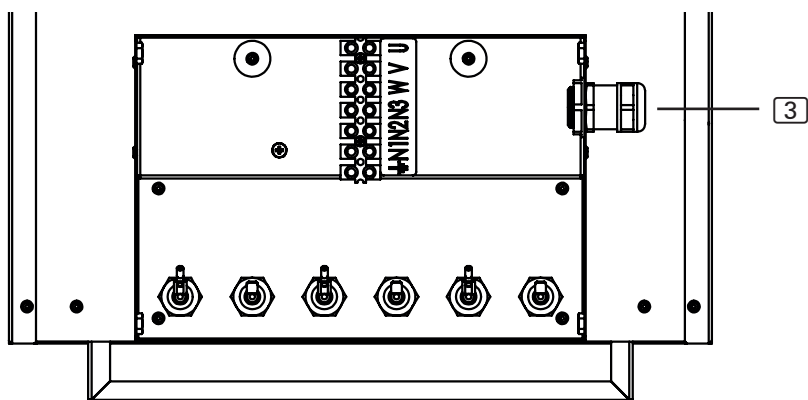
## 4.8. Collegamento elettrico

1. Allentare le viti **1** con un cacciavite.
2. Rimuovere la lamiera di copertura **2**.



### **Collegamento Home fin 4,5 kW, 6,0 kW, 7,5 kW e 9,0 kW** (HOME-F45 / HOME-F60 / HOME-F75 / HOME-F90)

1. Inserire il cavo di collegamento attraverso l'apertura di passaggio **3**.
2. A seconda del tipo di collegamento, collegare i fili del cavo di collegamento ai morsetti della stufa per sauna e ai morsetti corrispondenti del comando della sauna. Per quest'operazione seguire il manuale di montaggio del comando della sauna.
3. Fissare di nuovo la lamiera di copertura **1** sulla stufa della sauna.



## 5. Messa in funzione

### 5.1. Riempimento del contenitore delle pietre



#### AVVERTENZA!

#### *Pericolo d'incendio per surriscaldamento*

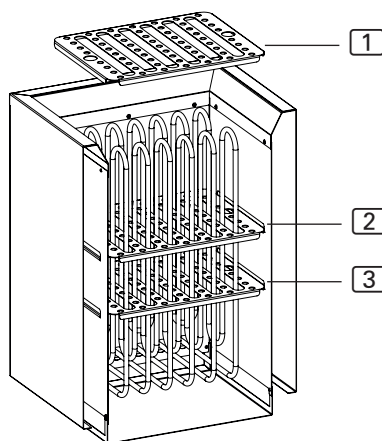
Se la stufa per sauna viene utilizzata senza pietre, le pareti della cabina si riscaldano molto. Per questo motivo possono verificarsi incendi.

- Non mettere MAI in funzione la stufa per sauna senza pietre.

La griglia di protezione per le pietre **1** può essere montata in diverse altezze.

Posizione **2**: una quantità di pietre minore comporta tempi di riscaldamento più brevi e risparmio energetico

Posizione **3** (posizione di fabbrica): una maggiore quantità di pietre prevede l'utilizzo di una maggiore quantità d'acqua per la gettata di vapore in sauna: più vapore, tempi di riscaldamento più lunghi



Desumere la quantità di pietre adatta alla stufa dal capitolo **10. Dati tecnici** (vedi pagina **24**).

1. Prima di utilizzare le pietre per la sauna, lavarle accuratamente con una spazzola e acqua. Non utilizzare additivi per la pulizia.
2. Prima di mettere le pietre nella stufa, controllare se sono presenti corpi estranei e rimuovere i resti dell'imballaggio.
3. Mettere le pietre per sauna nell'apposito contenitore, anche fra le resistenze. Collocare le pietre per sauna in modo non troppo ravvicinato, affinché l'aria possa circolare fra gli spazi.
4. **Fare attenzione che le resistenze NON entrino in contatto fra di loro.**
5. Assicurarsi che le pietre non sporgano oltre il bordo del contenitore.

## 5.2. Primo riscaldamento



### ATTENZIONE!

#### ***Formazione di fumo e odori durante il primo riscaldamento***

Sulle nuove resistenze si trovano materiali di consumo derivanti dal processo di produzione. Questi si disgregano al momento del primo riscaldamento della stufa. Ciò produce fumo e un odore sgradevole.

In caso di inalazione, questi fumi e vapori sono nocivi per la salute.

Eeguire i seguenti passaggi se si mette in funzione **per la prima volta** la stufa e se **sono state sostituite le resistenze**. In tal modo si evitano danni alla salute dovuti a fumi e vapori che derivano dal primo riscaldamento.

1. Selezionare la temperatura più alta possibile sul comando della sauna.
2. Riscaldare la stufa per mezz'ora.  
**NON rimanere nella cabina durante questo arco di tempo.**
3. Aerare bene la cabina dopo il primo riscaldamento.
4. Se al successivo riscaldamento non si produce alcun odore e fumo, si può procedere alla prima sauna.  
Se continuano a prodursi odore e fumo, uscire immediatamente dalla cabina della sauna e ripetere la procedura del primo riscaldamento con successiva aerazione.

## 6. Utilizzo

---



### **AVVERTENZA!**

#### ***Pericolo di incendio***

Gli oggetti infiammabili che poggiano sulla stufa calda, infiammandosi causano incendi.

- NON posare MAI oggetti infiammabili sulla stufa.
  - Prima di mettere in funzione la stufa per sauna, assicurarsi che su quest'ultima NON poggino oggetti infiammabili.
- 

### **6.1. Utilizzo della stufa per sauna**

Il comando della stufa per sauna avviene mediante un dispositivo di comando della sauna. Per informazioni sul comando della sauna leggere il manuale di istruzioni dell'apparecchio utilizzato. Osservare che la stufa per sauna Concept R mini è adatta solo per comandi della sauna senza funzione di avvio remoto e preselezione oraria.

### **6.2. Gettata di vapore in sauna**

Al termine della sauna è possibile eseguire una gettata di vapore. A tal fine versare acqua con un mestolo sulle pietre. Così facendo l'acqua evapora e l'umidità dell'aria nella cabina aumenta.

Durante la gettata di vapore, osservare i seguenti punti:

- Per la gettata di vapore utilizzare solo acqua del rubinetto. L'acqua salata e l'acqua contenente molto calcare e cloro possono danneggiare la stufa della sauna.
- Utilizzare solo aromi e oli essenziali adatti per essere utilizzati come sostanze per la gettata di vapore nelle saune. Osservare le indicazioni del produttore presenti sulla confezione delle essenze utilizzate per la gettata di vapore.
- Non versare l'acqua troppo velocemente sulle pietre. Solo così l'acqua per la gettata di vapore evapora completamente.

## 7. Manutenzione

### 7.1. Pause di funzionamento prolungate

In caso di condizioni ambientali umide o in seguito a pause di funzionamento prolungate, si accumula umidità nelle resistenze. Questo è un processo fisico e non un errore del produttore. L'umidità nelle resistenze può far scattare l'interruttore differenziale di protezione. Per eliminare il problema in questo caso informare un elettricista (vedi capitolo **9. Risoluzione del problema con l'intervento di un installatore**).



---

Riscaldare la stufa della sauna ogni 5, 6 settimane per ca. 15 minuti. In questo modo si impedisce l'accumulo d'acqua nelle resistenze in caso di pause di funzionamento prolungate.

---

### 7.2. Pulizia della stufa per sauna

Assicurarsi che le bocchette di aerazione siano libere da pelucchi e polvere. In questo modo si evita che diminuisca la circolazione dell'aria nella stufa e il surriscaldamento del dispositivo.

### 7.3. Sostituzione delle pietre

Le pietre subiscono forti sollecitazioni da parte delle sostanze per la gettata di vapore e dalle grandi differenze di temperatura che possono presentarsi con l'uso. Le pietre possono consumarsi o diventare friabili.

Controllare le pietre a intervalli regolari e sostituirle almeno una volta l'anno.



---

#### **AVVERTENZA!**

#### ***Pericolo d'incendio per surriscaldamento***

Se la stufa per sauna viene utilizzata senza pietre, le pareti della cabina si riscaldano molto. Per questo motivo possono verificarsi incendi.

- Non mettere MAI in funzione la stufa per sauna senza pietre.
-

1. Rimuovere le pietre vecchie.
2. Eliminare dal contenitore delle pietre residui di calcare, polvere e altre impurità.
3. Prima di utilizzare le pietre per la sauna, lavarle accuratamente con una spazzola e acqua. Non utilizzare additivi per la pulizia.
4. Prima di mettere le pietre nella stufa, controllare se sono presenti corpi estranei e rimuovere i resti dell'imballaggio.
5. Mettere le pietre per sauna nell'apposito contenitore. Collocare le pietre per sauna in modo non troppo ravvicinato, affinché l'aria possa circolare fra gli spazi.
6. Assicurarsi che le pietre non sporgano oltre il bordo del contenitore.

## 8. Smaltimento



- Smaltire i materiali di imballaggio conformemente alle normative sullo smaltimento vigenti.
- I dispositivi usati contengono materiali riciclabili, ma anche sostanze dannose. Perciò non gettare mai il dispositivo usato insieme ai rifiuti non riciclabili, ma smaltirlo in conformità alle norme vigenti a livello locale.

## 9. Risoluzione del problema con l'intervento di un installatore

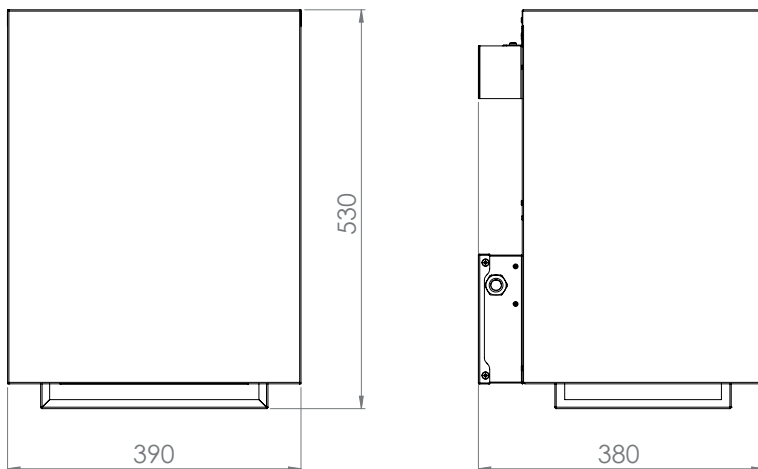
### *Riscaldamento delle resistenze*

In caso di condizioni ambientali umide o in seguito a pause di funzionamento prolungate, può accumularsi umidità nelle resistenze. Questo è un processo fisico e non un errore del produttore. L'umidità nelle resistenze, in alcuni casi, può far scattare l'interruttore differenziale di protezione.

In questo caso è necessario riscaldare la stufa in presenza di un elettricista. La funzione di protezione dell'interruttore differenziale inoltre deve essere disattivata. Il processo di riscaldamento dura ca. 10 minuti. Dopodiché, ripristinare la funzione di protezione dell'interruttore differenziale.

Se il problema persiste, rivolgersi al proprio fornitore.

**Fig. 8** Dimensioni Home fin 4,5 kW, 6,0 kW 7,5 kW e 9,0 kW  
(HOME-F45 / HOME-F60 / HOME-F75 / HOME-F90)  
Dimensioni in mm



## 10. Dati tecnici

Per le dimensioni consultare la **Fig. 8**.

<i>Numero articolo</i>	<i>Potenza [kW]</i>	<i>Volume della cabina [m<sup>3</sup>]</i>	<i>Dimensione minima bocchetta di aerazione [mm]</i>	<i>Peso senza pietre [kg]</i>
HOME-F45	4,5	3 - 6	350 x 25	15
HOME-F60	6,0	5 - 9	350 x 30	15
HOME-F75	7,5	7 - 13	350 x 35	15
HOME-F90	9,0	8 - 14	350 x 50	15

<i>Numero articolo</i>	<i>Quantità di pietre [kg]</i>	<i>Protezione [A]</i>	<i>Alimentazione</i>
HOME-F45	ca. 20 / 30	3 x 10	400 V AC 3N~ 50/60 Hz 230 V AC 1N~ 50/60 Hz 230 V AC 3~ 50/60 Hz
HOME-F60	ca. 20 / 30	3 x 10	400 V AC 3N~ 50/60 Hz 230 V AC 1N~ 50/60 Hz 230 V AC 3~ 50/60 Hz
HOME-F75	ca. 20 / 30	3 x 16	400 V AC 3N~ 50/60 Hz 230 V AC 1N~ 50/60 Hz
HOME-F90	ca. 20 / 30	3 x 16	400 V AC 3N~ 50/60 Hz 230 V AC 1N~ 50/60 Hz

<i>Numero articolo</i>	<i>Resistenze</i>
HOME-F45	3 x HP-HOME-150 (1-043-617)
HOME-F60	3 x HP-HOME-200 (1-043-618)
HOME-F75	3 x HP-HOME-250 (1-043-619)
HOME-F90	3 x HP-HOME-300 (1-043-620)



# Saunakachel

## Home fin

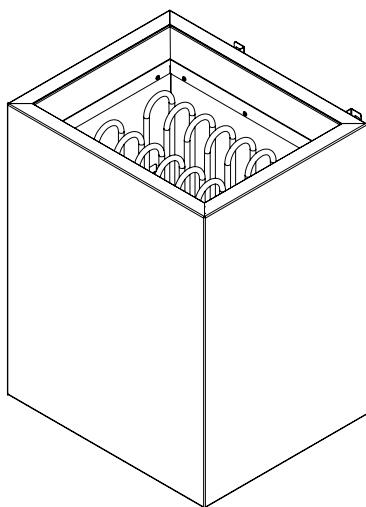
HOME-F45 / 1-039-794: Home fin 4,5 kW

HOME-F60 / 1-039-795: Home fin 6,0 kW

HOME-F75 / 1-039-796: Home fin 7,5 kW

HOME-F90 / 1-039-797: Home fin 9,0 kW

### MONTAGE- EN GEBRUIKSAANWIJZING Nederlands



NL

# Inhoudsopgave

<b>1. Over deze handleiding</b>	<b>4</b>
<b>2. Belangrijke aanwijzingen voor uw veiligheid</b>	<b>5</b>
2.1. Beoogd gebruik	5
2.2. Veiligheidsaanwijzingen voor de monteur	6
2.3. Veiligheidsaanwijzingen voor de gebruiker	7
<b>3. Productbeschrijving</b>	<b>9</b>
3.1. Omvang van de levering	9
3.2. Productfuncties	9
<b>4. Montage en aansluiting</b>	<b>10</b>
4.1. Plaats van opstelling en voelerpositie	10
4.2. Veiligheidsafstanden	11
4.3. Montage aan de cabinewand	12
4.4. Aansluitschema voor 400V 3N~	14
4.5. Aansluitschema voor 230V 3~	15
4.6. Aansluitschema voor 230V 1N~	16
4.7. Bedradingschema's	17
4.8. Elektrische aansluiting	18
<b>5. Inbedrijfstelling</b>	<b>19</b>
5.1. Steenhouder vullen	19
5.2. Eerste keer verwarmen	20
<b>6. Bediening</b>	<b>21</b>
6.1. Saunakachel bedienen	21
6.2. Opgieten	21

<b>7. Onderhoud</b>	<b>22</b>
7.1. Langere bedrijfspauzes.....	22
7.2. Saunakachel reinigen.....	22
7.3. Saunastenen wisselen.....	22
<b>8. Afvoer</b>	<b>23</b>
<b>9. Oplossen van problemen door de monteur</b>	<b>24</b>
<b>10. Technische gegevens</b>	<b>25</b>

# 1. Over deze handleiding

Lees deze montage- en gebruiksaanwijzing goed door en bewaar deze in de buurt van de sauna. Zo kunt u te allen tijde informatie over uw veiligheid en de bediening nalezen.



U vindt deze montage- en gebruiksaanwijzing ook in het downloadbereik van onze website [www.sentiotec.com/downloads](http://www.sentiotec.com/downloads).

## ***Symbolen in waarschuwingen***

In deze montage- en gebruiksaanwijzing wordt bij werkzaamheden die gevaarlijk kunnen zijn een waarschuwing gegeven. Neem deze waarschuwingen steeds in acht. Zo voorkomt u materiële schade, letsel en zelfs de dood.

In de waarschuwingen worden signaalwoorden gebruikt die de volgende betekenis hebben:



### **GEVAAR!**

Als u deze waarschuwing niet in acht neemt, heeft dit ernstig letsel of de dood tot gevolg.



### **WAARSCHUWING!**

Als u deze waarschuwing niet in acht neemt, kan dit ernstig letsel of de dood tot gevolg hebben.



### **VOORZICHTIG!**

Als u deze waarschuwing niet in acht neemt, kan dit licht letsel tot gevolg hebben.

### **LET OP!**

Dit signaalwoord waarschuwt voor materiële schade.

## ***Andere symbolen***



Dit symbool kenmerkt tips en nuttige aanwijzingen.



Niet afdekken!



Bedieningshandleiding lezen

## **2. Belangrijke aanwijzingen voor uw veiligheid**

De saunakachel Home fin is gebouwd volgens de erkende veiligheidstechnische regels. Toch kunnen bij het gebruik gevaren ontstaan. Neem daarom de volgende veiligheidsaanwijzingen en de speciale waarschuwingen in de afzonderlijke hoofdstukken in acht.

### **2.1. Beoogd gebruik**

De saunakachel Home fin mag uitsluitend worden gebruikt voor de verwarming van saunacabines in combinatie met een saunabesturing zonder afstands- of voorselectiefunctie.

Alleen in combinatie met de optioneel verkrijgbare veiligheidsuitschakeling mag de saunakachel Home fin ook in combinatie met een saunabesturing met startfunctie op afstand worden gebruikt.

Alleen in combinatie met de optioneel verkrijgbare veiligheidsuitschakeling mag de saunakachel Home fin ook in openbare sauna's worden gebruikt.

Elk ander gebruik geldt als niet beoogd. Niet beoogd gebruik kan leiden tot beschadiging van het product, ernstig letsel of de dood.

## 2.2. Veiligheidsaanwijzingen voor de monteur

- Montage- en aansluitwerkzaamheden aan de saunakachel mogen uitsluitend in stroomloze toestand worden uitgevoerd.
- De montage mag alleen door een elektricien of een vergelijkbaar gekwalificeerde persoon worden uitgevoerd.
- Op de plaats van opstelling moet een volledige scheidingsinrichting met complete uitschakeling overeenkomstig de overspanningscategorie III worden aangebracht.
- Gebruik voor de aansluiting van de saunakachel uitsluitend tot 150 °C temperatuurbestendige siliconenleidingen.
- Monteer slechts één saunakachel in de cabine. De saunakachel Home fin mag niet samen met andere saunakachels in één saunacabine worden gebruikt.
- Plafonds en wanden van de saunacabine moeten bestaan uit harsarm, onbehandeld of thermisch behandeld hout, bijvoorbeeld vurenhout, hemlockspar, grenen- of dennehout of gelaagd hout. Bij gebruik van gelaagd hout mogen de kleefstoffen geen formaldehyde afgeven. Indien andere materialen dan hout in de saunacabine worden gebruikt, moeten deze hitte- en roestbestendig zijn en mogen deze materialen geen negatieve invloed hebben op de gezondheid van de saunagasten.
- De hoogte van de saunacabine moet minstens 1,9 m bedragen.
- Neem de gegevens over volume en ventilatie van de saunacabine in acht in hoofdstuk **10. Technische gegevens**.
- Neem bij het opstellen van de saunakachel de minimale veiligheidsafstanden in acht (zie hoofdstuk **4.2. Veiligheidsafstanden**).
- Neem ook de plaatselijke bepalingen op de plaats van opstelling in acht.
- Bij problemen die in deze montagehandleiding niet uitvoerig genoeg behandeld zijn, dient u voor uw eigen veiligheid contact op te nemen met uw leverancier.

### 2.3. Veiligheidsaanwijzingen voor de gebruiker

- Het apparaat mag niet door kinderen onder 8 jaar worden gebruikt.
- Het apparaat mag door kinderen boven 8 jaar, door personen met verminderde psychische, sensorische of mentale vaardigheden en door personen met gebrek aan ervaring en kennis worden gebruikt, mits:
  - onder toezicht.
  - een veilig gebruik gedemonstreerd is en ze de gevaren die kunnen ontstaan, begrijpen.
- Kinderen mogen niet met het apparaat spelen.
- Kinderen onder 14 jaar mogen het apparaat alleen onder toezicht reinigen.
- Maak in het belang van uw eigen gezondheid geen gebruik van de sauna als u onder invloed bent van alcohol, medicamenten of drugs.
- Gebruik de saunakachel in geen geval zonder saunastenen, omdat anders brand kan ontstaan.
- Controleer of er geen brandbare voorwerpen op de saunakachel liggen, voordat u de saunabesturing inschakelt.
- Verwarm de saunakachel VOOR het eerste saunabad een half uur. Betreed gedurende deze tijd de saunacabine NIET. Ventileer de saunacabine vervolgens grondig (zie **5.2. Eerste keer verwarmen** op pagina **19**).
- Raak de saunakachel tijdens bedrijf nooit aan. Het oppervlak van de saunakachel en de saunastenen worden zeer heet.
- Bij problemen die in deze gebruiksaanwijzing niet uitvoerig genoeg behandeld zijn, dient u voor uw eigen veiligheid contact op te nemen met uw leverancier.

## **3. Productbeschrijving**

### **3.1. Omvang van de levering**

- Saunakachel
- Montage- en gebruiksaanwijzing

### **3.2. Productfuncties**

De saunakachel Home fin is een Finse saunakachel voor een voor de Finse sauna typisch saunaklimaat van 80 tot 100 °C bij een luchtvochtigheid van ca. 10%.



## 4. Montage en aansluiting

Neem volgende punten in acht bij het opstellen en aansluiten van de saunakachel:



### **WAARSCHUWING!**

#### ***Stroomstoot-gevaar***

- Voer de montage- en aansluitwerkzaamheden aan de saunakachel alleen in stroomloze toestand uit.
- 

- De elektrische aansluiting mag alleen door een electricien of een vergelijkbaar gekwalificeerde persoon worden uitgevoerd.
- Op de plaats van opstelling moet een volledige scheidingsinrichting met complete uitschakeling overeenkomstig de overspanningscategorie III worden aangebracht.
- De saunakachel home.com4 is een standkachel. De vaste bevestiging van de kachel op de montagelijst moet voor inbedrijfstelling worden gecontroleerd.

### 4.1. Plaats van opstelling en voelerpositie

Monteer de kachel in het midden voor de luchtinlaat aan de cabinewand. Houd hierbij de in **afb. 1** aangegeven veiligheidsafstanden tot de cabinewand aan.

Monteer de temperatuurvoeler met overtemperatuurbeveiliging aan de cabinewand boven het midden van de saunakachel. Houd een afstand van 15 cm tot het cabineplafond aan.

## 4.2. Veiligheidsafstanden

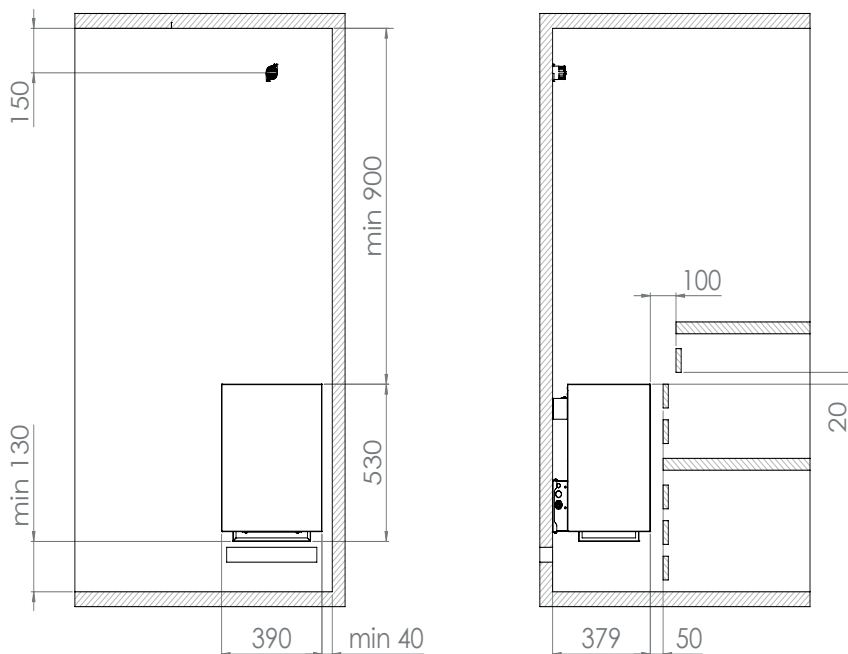
Neem de in de in **afb. 1** aangegeven minimale veiligheidsafstanden in acht.

### afb. 1 Veiligheidsafstanden

Home fin 4,5 kW, 6,0 kW, 7,5 kW en 9,0 kW

(HOME-F45 / HOME-F60 / HOME-F75 / HOME-F90)

Afmetingen in mm



### 4.3. Montage aan de cabinewand

Neem de **afb. 1**, **afb. 2**, **afb. 3** en **afb. 4** in acht (pagina **11**, **12**, **13**).

1. Bevestig de montagelijst **[1]** horizontaal met meegeleverde houtschroeven **[2]** aan de wand. Neem hierbij de minimum afstanden van de kachel in acht in **afb. 1**.
2. Hang de kachel **[3]** van boven naar beneden onder aan de montagelijst. Lijn de kachel hierbij goed uit.
3. Borg de kachel **[3]** middels meegeleverde borgschroef **[4]** op de montagelijst **[1]**.

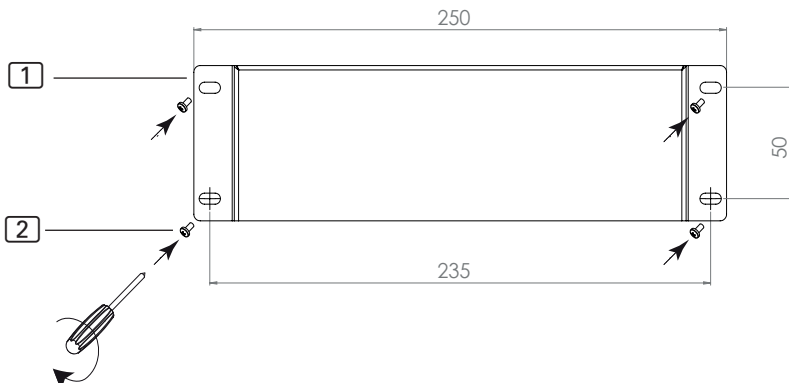


#### WAARSCHUWING!

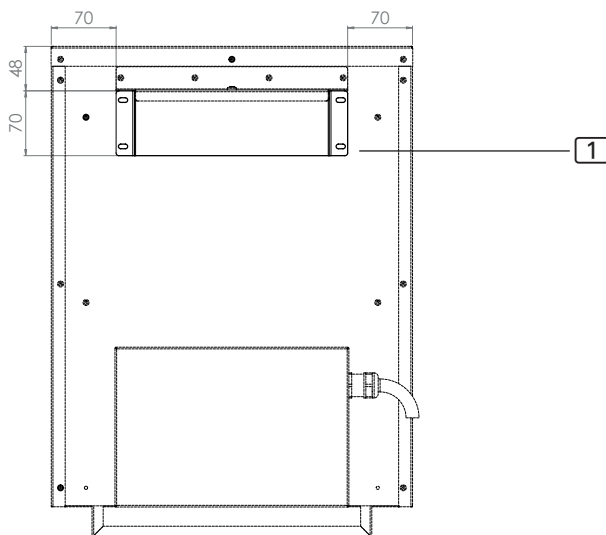
#### Brandgevaar

- Om de kachel vast te zetten en te beveiligen tegen wegglijden, moet deze met de bijgeleverde veiligheidsschroeven **[4]** worden vastgezet.

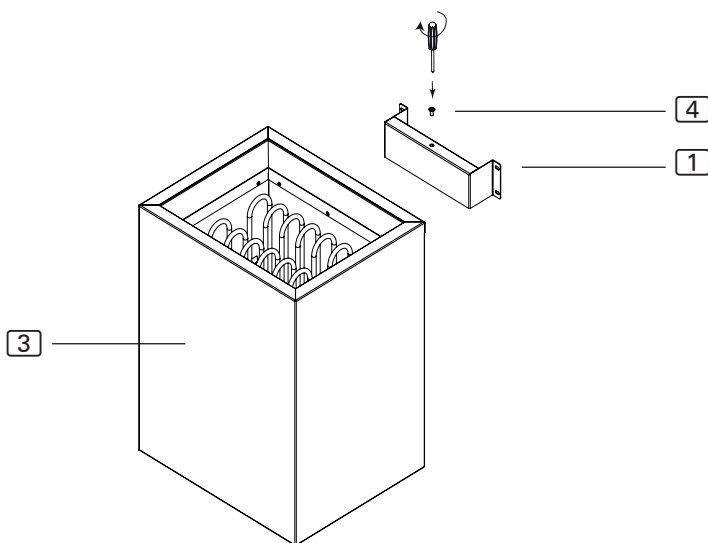
**afb. 2** Montagelijst Home fin  
Afmetingen in mm



**afb. 3** Positie van de Home fin-montagestrip  
Afmetingen in mm



**afb. 4** Vastzetting Home fin (montagestrip)

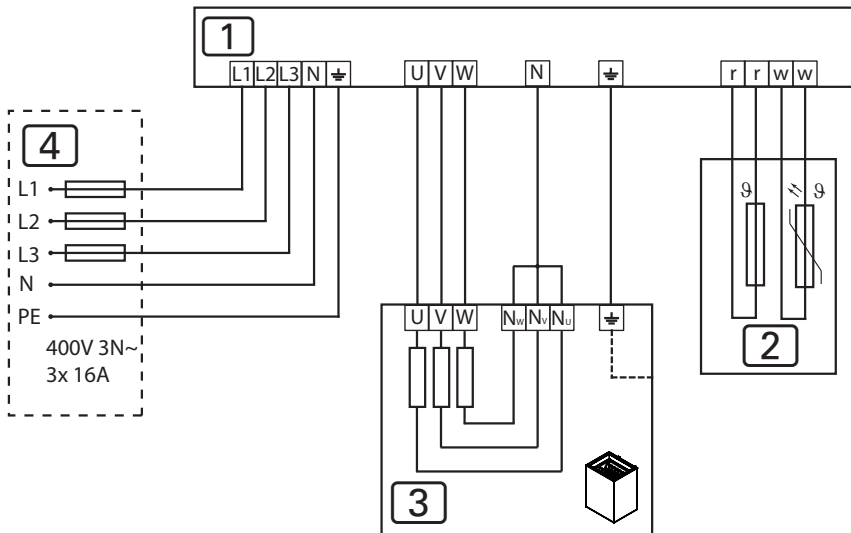


#### 4.4. Aansluitschema voor 400V 3N~

##### afb. 5 Aansluitschema 400V 3N~

Home fin 4,5 kW, 6,0 kW, 7,5 kW en 9,0 kW

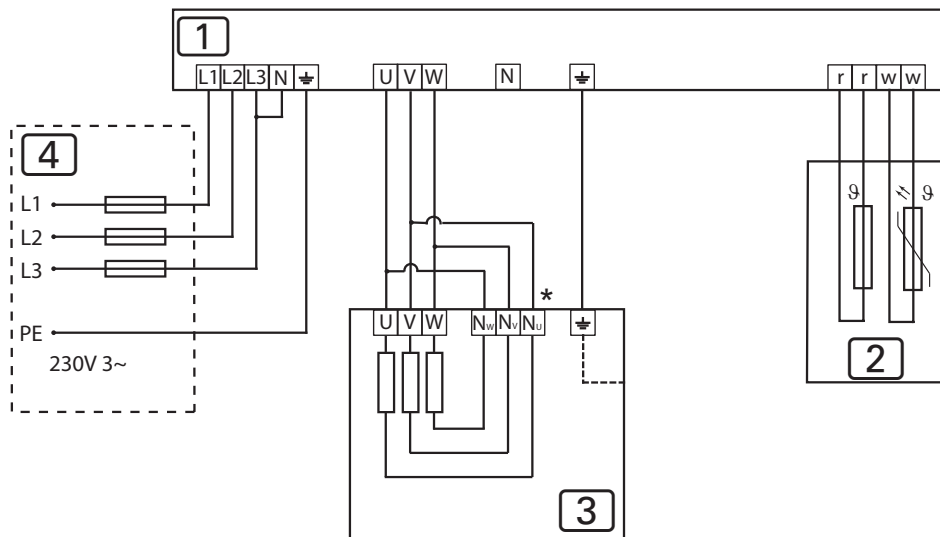
(HOME-F45 / HOME-F60 / HOME-F75 / HOME-F90)



- 1 Saunabesturing
- 2 Temperatuurvoeler met overtemperatuurbeveiliging
- 3 Saunakachel
- 4 Stroomvoorziening

## 4.5. Aansluitschema voor 230V 3~

**afb. 6** Anschlussplan 230V 3~  
Home fin 4,5 kW und 6,0 kW  
(HOME-F45 / HOME-F60)



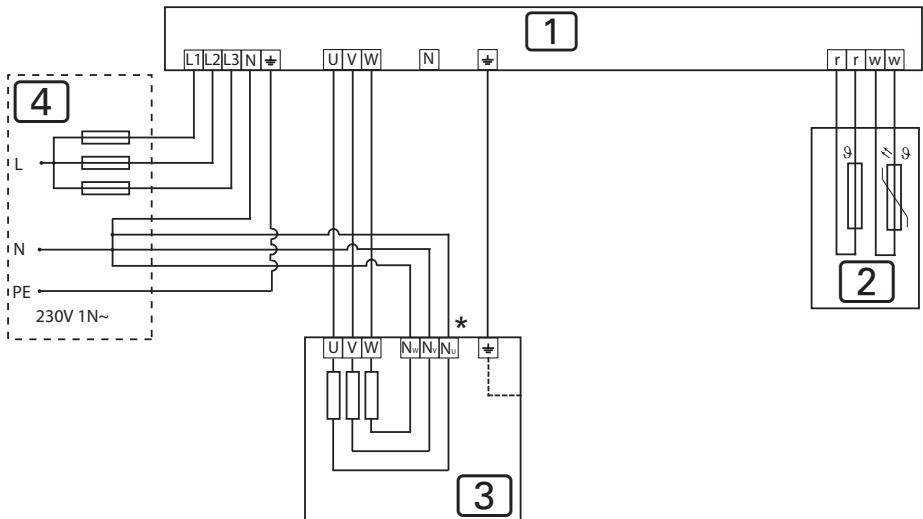
- 1 Saunabesturing
- 2 Temperatuurvoeler met oververhittingsbeveiliging
- 3 Saunakachel
- 4 Stroomvoorziening
- \* Koper-brug verwijderen

## 4.6. Aansluitschema voor 230V 1N~

### afb. 7 Anschlussplan 230V 1N~

Home fin 4,5 kW, 6,0 kW, 7,5 kW und 9,0 kW

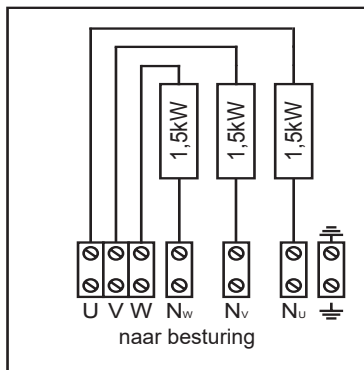
(HOME-F45 / HOME-F60 / HOME-F75 / HOME-F90)



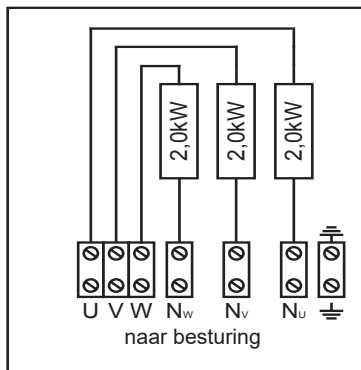
- 1 Saunabesturing
- 2 Temperatuurvoeler met oververhittingsbeveiliging
- 3 Saunakachel
- 4 Stroomvoorziening
- \* Koper-brug verwijderen

## 4.7. Bedradingschema's

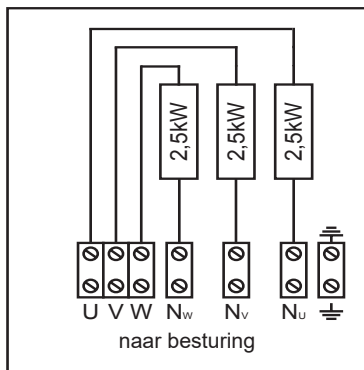
**HC4-FIN-45**  
4,5 kW



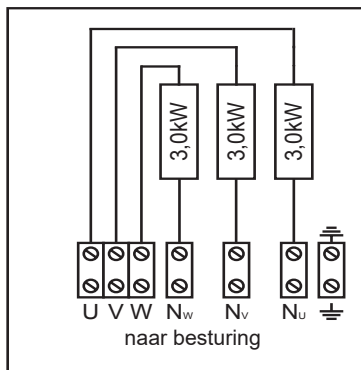
**HC4-FIN-60**  
6,0 kW



**HC4-FIN-75**  
7,5 kW



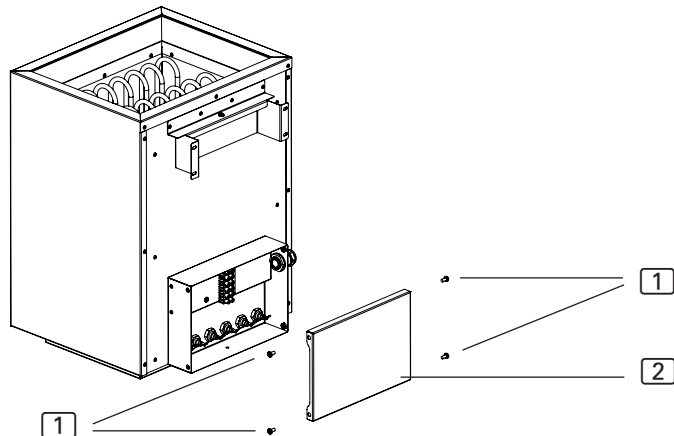
**HC4-FIN-90**  
9,0 kW





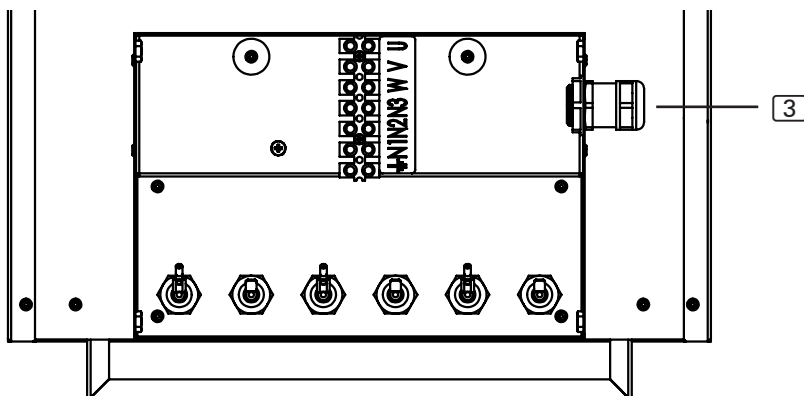
## 4.8. Elektrische aansluiting

1. Draai de schroeven **[1]** los met een schroevendraaier.
2. Verwijder afdekplaat **[2]**.



### **Aansluiting Home fin 4,5 kW, 6,0 kW, 7,5 kW en 9,0 kW** (HOME-F45 / HOME-F60 / HOME-F75 / HOME-F90)

1. Leid de aansluitkabel door de doorvoering **[3]**.
2. Sluit afhankelijk van het soort aansluiting de aderen van de aansluitkabel aan op de klemmen van de saunakachel en de passende klemmen van de saunabesturing. Neem hierbij de montagehandleiding van de saunabesturing in acht.
3. Bevestig de afdekplaat **[1]** weer op de saunakachel.



## 5. Inbedrijfstelling

### 5.1. Steenhouder vullen



#### **WAARSCHUWING!**

#### **Brandgevaar door oververhitting**

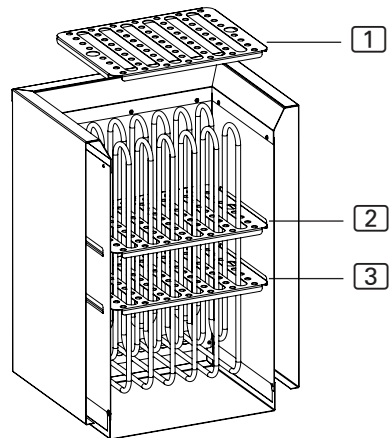
Als de saunakachel zonder saunastenen wordt gebruikt, worden de cabinewanden zeer heet. Hierdoor kan brand ontstaan.

- Gebruik de saunakachel **NOOIT** zonder saunastenen.

Het steenrooster **1** kan op twee verschillende hoogtes worden gemonteerd.

Positie **2**: minder stenen, kortere verwarmingstijden, energiebesparing

Positie **3** (positie af fabriek): meer stenen, grotere hoeveelheid water bij het opgieten mogelijk - dus meer stoom, langere verwarmingstijden



De voor uw kachel passende steenhoeveelheid vindt u in hoofdstuk **10. Technische gegevens** (zie pagina **24**).

1. Borstel de saunastenen voor gebruik grondig met water. Gebruik geen reinigingsmiddelen.
2. Controleer de stenen voor vullen in de saunakachel op vreemde deeltjes en verwijder verpakkingsresten.
3. Plaats de stenen in de steenhouder - ook tussen de verwarmingselementen. Arrangeer de saunastenen los ten opzichte van elkaar, zodat nog lucht tussen de tussenruimtes kan doorstromen.
4. **Let erop dat de verwarmingselementen elkaar NIET wederzijds raken.**
5. De saunastenen mogen niet over de rand van de steenhouder uitkomen.

## 5.2. Eerste keer verwarmen

---



### **VOORZICHTIG!**

#### ***Rook- en geurvorming bij de eerste keer verwarmen***

Op nieuwe verwarmingsstaven bevinden zich bedrijfsstoffen van het productieproces. Deze verdwijnen bij de eerste keer verwarmen van de saunakachel. Hierbij ontstaan rook en een onaangename geur. Als u deze dampen of de rook inademt, is dit schadelijk voor uw gezondheid.

---

Voer de volgende stappen uit, als u uw saunakachel **de eerste keer in bedrijf neemt** en nadat de **verwarmingsstaven van uw saunakachel vervangen** werden. Zo voorkomt u schade aan uw gezondheid door dampen en rook die ontstaan bij de eerste keer verwarmen.

1. Kies op de saunabediening de hoogst mogelijke temperatuur.
2. Verwarm de saunakachel gedurende een half uur  
**Betreed gedurende deze tijd de saunacabine NIET.**
3. Ventileer de saunacabine na de eerste keer verwarmen goed.
4. Als bij de volgende keer verwarmen geen rook en geuren meer ontstaan, kunt u met het eerste saunabad beginnen.  
Als opnieuw rook en geuren ontstaan, de saunacabine onmiddellijk verlaten en de eerste keer verwarmen en aansluitend luchten herhalen.

## 6. Bediening

---



### **WAARSCHUWING!**

#### ***Brandgevaar***

Brandbare voorwerpen die op de hete saunakachel liggen kunnen ontvlammen en brand veroorzaken.

- Leg **NOOIT** brandbare voorwerpen op de saunakachel.
  - Controleer of **GEEN** brandbare voorwerpen op de saunakachel liggen, alvorens de saunakachel in te schakelen.
- 

### 6.1. Saunakachel bedienen

De saunakachel wordt bediend met een saunabesturing. Voor informatie over bediening van saunabesturing leest u de bedieningshandleiding van het gebruikte apparaat. Neem in acht dat de saunakachel Concept R mini alleen voor saunabesturingen zonder afstands- en voorselectiefunctie geschikt is.

### 6.2. Opgieten

Aan het einde van de saunagang kunt u opgieten. Giet dan water met een saunalepel over de saunastenen. Hierdoor verdampt water en wordt de luchtvochtigheid in de saunacabine verhoogd.

Neem voor opgieten de volgende punten in acht:

- Gebruik voor opgieten alleen leidingwater. Zeewater, sterk kalkhoudend water en chloorwater kunnen de saunakachel beschadigen.
- Gebruik alleen geurstoffen en etherische oliën die uitdrukkelijk voor gebruik als opgiemiddel in sauna's geschikt zijn. Neem de fabrikantgegevens op de verpakking van het opgiemiddel in acht.
- Giet niet te snel water over de saunastenen. Alleen dan verdampt het opgiemiddel volledig.

## 7. Onderhoud

### 7.1. Langere bedrijfspauzes

In vochtige omgevingen of bij lange bedrijfspauzes verzamelt zich vocht in de verwarmingsstaven. Dit is een fysisch proces en geen fout van de fabrikant. De vochtigheid in de verwarmingsstaven kan leiden tot activering van de FI-veiligheidsschakelaar. Raadpleeg in dit geval ter verhelping van de storing een elektricien (zie hoofdstuk **9. Oplossen van problemen door de monteur**).



Verwarm de saunakachel elke 5 tot 6 weken gedurende ca. 15 minuten. Zo voorkomt u dat zich na langere bedrijfspauzes water in de verwarmingsstaven verzamelt.

### 7.2. Saunakachel reinigen

De ventilatieopeningen moeten vrij zijn van pluizen en stof. Zo wordt voorkomen dat de luchtcirculatie in de saunakachel wordt gereduceerd en het apparaat oververhit raakt.

### 7.3. Saunastenen wisselen

Opgietmiddel en grote temperatuurverschillen tijdens gebruik zijn van invloed op saunastenen. De saunastenen kunnen worden aangetast en breekbaar worden.

Controleer de saunastenen regelmatig en vervang de stenen jaarlijks.



#### **WAARSCHUWING!**

#### ***Brandgevaar door oververhitting***

Als de saunakachel zonder saunastenen wordt gebruikt, worden de cabinewanden zeer heet. Hierdoor kan brand ontstaan.

- Gebruik de saunakachel **NOOIT** zonder saunastenen.

1. Verwijder de oude saunastenen.
2. Verwijder kalkresten, stof en andere verontreinigingen van de steenhouder.
3. Borstel de saunastenen voor gebruik grondig met water. Gebruik geen reinigingsmiddelen.
4. Controleer de stenen voor vullen in de saunakachel op vreemde deeltjes en verwijder verpakkingsresten.
5. Plaats de saunastenen in de steenhouder. Arrangeer de saunastenen los ten opzichte van elkaar, zodat nog lucht tussen de tussenruimtes kan doorstromen.
6. De saunastenen mogen niet over de rand van de steenhouder uitkomen.

## 8. Afvoer



- Voer het verpakkingsmateriaal af volgens de geldende richtlijnen met betrekking tot afvalverwerking.
- Oude apparaten bevatten herbruikbare materialen, maar ook schadelijke stoffen. Deponeer uw oude apparaat daarom in geen geval bij het gewone afval, maar voer het apparaat af volgens de plaatselijk geldende voorschriften.

## 9. Oplossen van problemen door de monteur

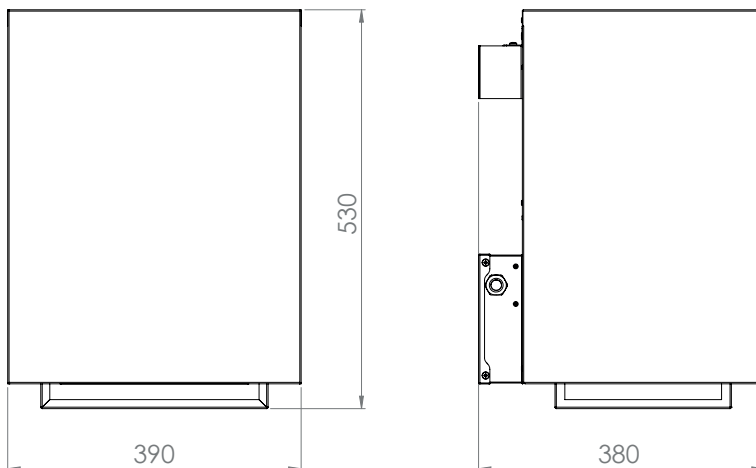
### *Verwarmingsstaven verwarmen*

Vochtige omgevingsomstandigheden of lange bedrijfspauzes kunnen leiden tot achterblijven van vocht in de verwarmingsstaven. Dit is een fysisch proces en geen fout van de fabrikant. De vochtigheid in de verwarmingsstaven kan eventueel leiden tot de activering van de FI-veiligheidsschakelaar.

In dit geval moet de saunakachel onder toezicht van een elektricien worden gedroogd door verwarmen. Hierbij moet de veiligheidsfunctie van de FI-schakelaar worden gedeactiveerd. Drogen door verwarmen duurt ongeveer 10 minuten. Daarna moet de veiligheidsfunctie van de FI-schakelaar weer worden geactiveerd.

Als het probleem verder bestaat, raadpleeg dan uw leverancier.

**afb. 8** Afmetingen Home fin 4,5 kW, 6,0 kW 7,5 kW en 9,0 kW  
(HOME-F45 / HOME-F60 / HOME-F75 / HOME-F90)  
Afmetingen in mm



## 10. Technische gegevens

De afmetingen staan in **afb. 8**.

<i>Artikel-nummer</i>	<i>Vermogen [kW]</i>	<i>Cabinevolume [m<sup>3</sup>]</i>	<i>Minimumgrootte ventilatieopening [mm]</i>	<i>Gewicht zonder stenen [kg]</i>
HOME-F45	4,5	3 - 6	350 x 25	15
HOME-F60	6,0	5 - 9	350 x 30	15
HOME-F75	7,5	7 - 13	350 x 35	15
HOME-F90	9,0	8 - 14	350 x 50	15

<i>Artikel-nummer</i>	<i>Steenhoeveelheid [kg]</i>	<i>Zekering [A]</i>	<i>Verzorging</i>
HOME-F45	ca. 20 / 30	3 x 10	400 V AC 3N~ 50/60 Hz 230 V AC 1N~ 50/60 Hz 230 V AC 3~ 50/60 Hz
HOME-F60	ca. 20 / 30	3 x 10	400 V AC 3N~ 50/60 Hz 230 V AC 1N~ 50/60 Hz 230 V AC 3~ 50/60 Hz
HOME-F75	ca. 20 / 30	3 x 16	400 V AC 3N~ 50/60 Hz 230 V AC 1N~ 50/60 Hz
HOME-F90	ca. 20 / 30	3 x 16	400 V AC 3N~ 50/60 Hz 230 V AC 1N~ 50/60 Hz

<i>Artikel-nummer</i>	<i>Verwarmingsstaven</i>
HOME-F45	3 x HP-HOME-150 (1-043-617)
HOME-F60	3 x HP-HOME-200 (1-043-618)
HOME-F75	3 x HP-HOME-250 (1-043-619)
HOME-F90	3 x HP-HOME-300 (1-043-620)



# Bastuaggregat

## Home fin

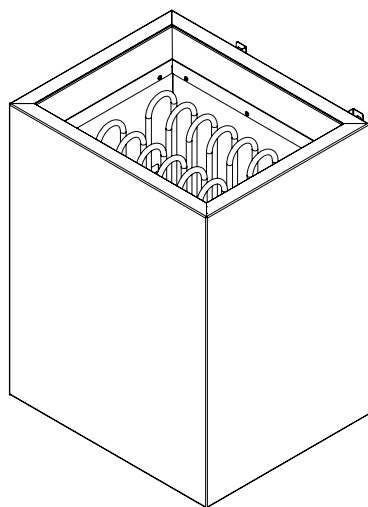
HOME-F45 / 1-039-794: Home fin 4,5 kW

HOME-F60 / 1-039-795: Home fin 6,0 kW

HOME-F75 / 1-039-796: Home fin 7,5 kW

HOME-F90 / 1-039-797: Home fin 9,0 kW

### MONTERINGS- OCH BRUKSANVISNING Svenska



SV

# Innehållsförteckning

<b>1. Om monterings- och bruksanvisningen</b>	<b>4</b>
<b>2. Viktig säkerhetsinformation</b>	<b>5</b>
2.1. Ändamålsenlig användning	5
2.2. Säkerhetsanvisningar för installatören	6
2.3. Säkerhetsanvisningar för användaren	7
<b>3. Produktbeskrivning</b>	<b>9</b>
3.1. Leveransomfattning	9
3.2. Funktioner	9
<b>4. Montering och anslutning</b>	<b>10</b>
4.1. Uppställningsplats och givarposition	10
4.2. Säkerhetsavstånd	11
4.3. Montering på väggen	12
4.4. Kopplingsschema för 400V 3N~	14
4.5. Kopplingsschema för 230V 3~	15
4.6. Kopplingsschema för 230V 1N~	16
4.7. Elscheman	17
4.8. Elanslutning	18
<b>5. Idrifttagning</b>	<b>19</b>
5.1. Fylla på stenkorgen	19
5.2. Den första uppvärmningen	20
<b>6. Användning</b>	<b>21</b>
6.1. Användning	21
6.2. Hälla vatten på stenarna	21

<b>7. Underhåll</b>	<b>22</b>
7.1. Längre användningsuppehåll.....	22
7.2. Rengöring av bastuaggregat.....	22
7.3. Byta bastustenar.....	22
<b>8. Avfallshantering</b>	<b>23</b>
<b>9. Felavhjälpning utförd av installatören</b>	<b>24</b>
<b>10. Tekniska data</b>	<b>25</b>

# 1. Om monterings- och bruksanvisningen

Läs hela monterings- och bruksanvisningen noga och förvara den sedan i närheten av bastun. Du kan då när som helst läsa de specifika säkerhets- och användningsanvisningarna.



Den här monterings- och bruksanvisningen kan även laddas ner från vår webbsida, [www.sentiotec.com/downloads](http://www.sentiotec.com/downloads).

## **Symboler och varningar**

I den här monterings- och bruksanvisningen används olika varningssymboler vid avsnitt som beskriver situationer som kan medföra fara eller risker av olika slag. Dessa varningar ska alltid beaktas. På så sätt undviker man sakskador och personskador, som i värsta fall kan ha dödlig utgång.

Följande signalord används:



### **FARA!**

Om de här varningarna/anvisningarna inte följs kan det leda till allvarliga eller livsfarliga skador.



### **VARNING!**

Om de här varningarna/anvisningarna inte följs kan det leda till allvarliga eller livsfarliga skador.



### **VAR FÖRSIKTIG!**

Om de här varningarna/anvisningarna inte följs kan det leda till lindriga skador.

### **OBS!**

Varnar för sakskador.

## **Övriga symboler**



Används vid tips och nyttig information.



Täck inte över!



Läs bruksanvisningen

## 2. Viktig säkerhetsinformation

Bastuaggregatet Home fin har konstruerats och tillverkats enligt vedertagna säkerhetstekniska regler. Det kan ändå uppstå vissa risker under användningen. Följ alltid nedanstående säkerhetsanvisningar och observera de särskilda varningarna i resp. kapitel.

### 2.1. Ändamålsenlig användning

Bastuaggregatet Home fin är endast avsett att användas för uppvärmning av basturum i kombination med en styrenhet utan fjärrstart- och timerfunktion/tidsstyrning.

Bastuaggregatet Home fin får endast användas tillsammans med en styrenhet med fjärrstartfunktion om det samtidigt installeras en anordning för säkerhetsavstängning.

Bastuaggregatet Home fin får endast användas i allmänna bastur när det kombineras med säkerhetsavstängningen, som kan beställas som tillval.

All annan användning betraktas som ej ändamålsenlig. Ej ändamålsenlig användning kan leda till skador på produkten och innebära risk för allvarliga eller livsfarliga skador.

## 2.2. Säkerhetsanvisningar för installatören

- Bastuaggregatet får endast installeras och anslutas i spänningslöst tillstånd.
- Montering/installation får endast utföras av elektriker.
- På plats ska en allpolig fränskiljare med komplett avstängning enligt överspänningskategori III installeras.
- Använd endast silikonkablar med värmetålighet upp till 150 °C för anslutning av bastuaggregatet.
- Installera endast ett bastuaggregat i varje basturum. Bastuaggregatet Home fin får inte användas i ett basturum tillsammans med andra bastuaggregat.
- Bastuns väggar och tak ska vara tillverkade av obehandlat eller termiskt behandlat trä med låg hartshalt, t.ex. nordisk gran, hemlock, tall eller ädelgran, eller av flerskikts träskivor. Om flerskikts träskivor används får limmet inte innehålla formaldehyd. Om andra material än trä används i bastun måste de vara värme- och korrosionsbeständiga och får inte utgöra någon hälsorisk för bastubadarna.
- Basturummet ska ha minst 1,9 meters takhöjd.
- Beakta uppgifterna om volym och ventilation av basturummet i kapitel **10. Tekniska data**.
- Observera min. avstånden vid installation av bastuugnen (se kapitel **4.2. Säkerhetsavstånd**).
- Följ gällande lokala bestämmelser.
- Om det uppstår problem som inte beskrivs tillräckligt detaljerat i monteringsanvisningarna, vänd dig, för din egen säkerhets skull, till leverantören/återförsäljaren.

### 2.3. Säkerhetsanvisningar för användaren

- Barn under 8 år får inte använda utrustningen.
- Under följande förutsättningar får utrustningen användas av barn över 8 år, av personer med nedsatt psykisk, sensorisk eller mental förmåga och av personer som saknar erfarenhet och kunskap om liknande utrustningar:
  - under uppsikt.
  - när de har instruerats om säker användning och känner till vilka risker som kan uppstå.
- Utrustningen är ingen leksak. Barn får inte leka med den.
- Barn under 14 år får endast rengöra utrustningen under uppsikt.
- Av hälsoskäl bör man inte bada bastu när man är påverkad av alkohol, läkemedel eller droger.
- Använd aldrig bastuaggregatet utan bastustenar - det kan medföra brandrisk.
- Kontrollera att det inte finns några brännbara föremål på bastuaggregatet innan styrenheten slås på.
- Värm upp bastuaggregatet en halvtimme **INNAN** du ska använda bastun för första gången. **Vistas INTE** i basturummet under denna tid. Vädra därefter basturummet ordentligt (se **5.2. Den första uppvärmningen** på sidan **19**).
- Vidrör aldrig bastuaggregatet när det är igång. Bastuaggregatets yta och bastustenarna blir mycket varma.
- Om det uppstår problem som inte beskrivs tillräckligt detaljerat i bruksanvisningen, vänd dig, för din egen säkerhets skull, till leverantören/återförsäljaren.

## **3. Produktbeskrivning**

### **3.1. Leveransomfattning**

- Bastuaggregat
- Monterings- och bruksanvisning

### **3.2. Funktioner**

Bastuaggregatet Home fin är ett finskt bastuaggregat som skapar ett typiskt, finskt bastuklimat med en temperatur på mellan 80 och 100 °C och en luftfuktighet på ca 10 %.



## 4. Montering och anslutning

Observera följande punkter vid installation och anslutning av bastuaggregatet:



### **VARNING!**

#### ***Risk för elektriska stötar***

- Montering/installation och anslutning av bastuaggregatet får endast göras i spänningslöst tillstånd.
- 

- Elanslutningarna får endast utföras av utbildad elektriker.
- På plats ska en allpolig frånskiljare med komplett avstängning enligt överspänningskategori III installeras.
- Bastuaggregatet Home fin är ett väggmonterat aggregat. Kontrollera att aggregatet sitter fast ordentligt på monteringslisten innan det används för första gången.

### 4.1. Uppställningsplats och givarposition

Montera aggregatet mitt framför luftintagets på bastuväggen. Observera säkerhetsavstånden till väggen som anges på **Bild 1**.

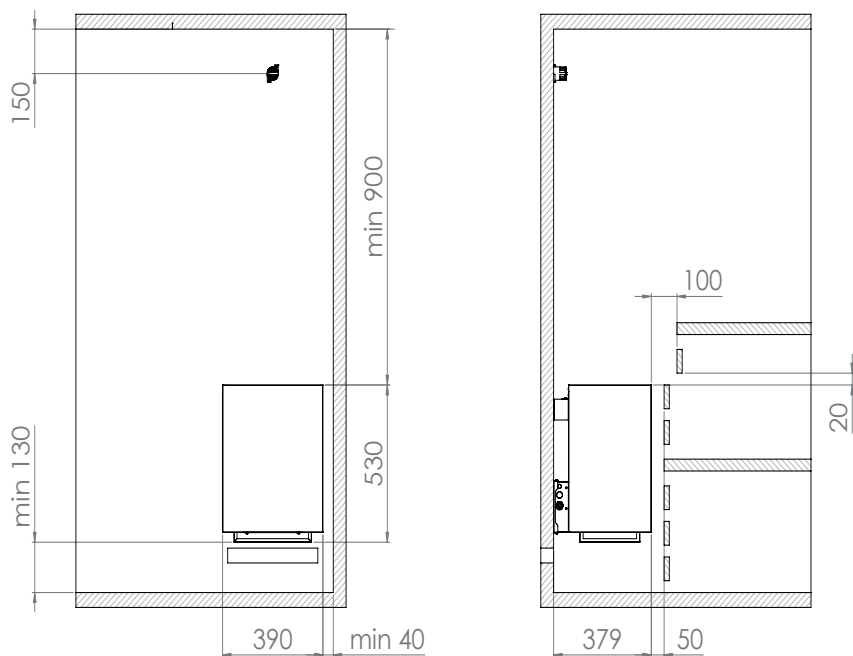
Montera temperaturgivaren med övertemperaturskydd på bastuväggen över bastuaggregatets mitt. Avståndet till bastuns tak ska vara 15 cm.

## 4.2. Säkerhetsavstånd

Beakta säkerhetsavstånden som anges på **Bild 1**.

### Bild 1 Säkerhetsavstånd

Home fin 4,5 kW, 6,0 kW, 7,5 kW och 9,0 kW  
(HOME-F45 / HOME-F60 / HOME-F75 / HOME-F90)  
Mått i mm



### 4.3. Montering på väggen

Observera **bild 1**, **bild 2**, **bild 3** och **bild 4** (sidan **11**, **12**, **13**).

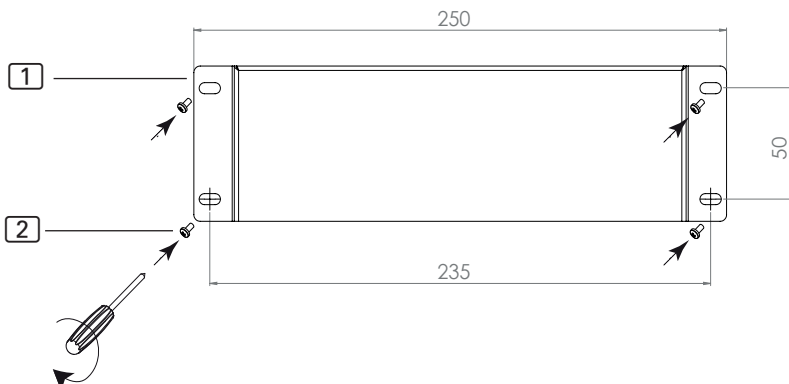
1. Fäst monteringslisten **[1]** vågrätt på väggen med medföljande träskruvar **[2]**. Observera min. avstånden till väggen, bild 1.
2. Skjut in aggregatet **[3]** uppifrån i monteringslisten. Se till att aggregatet sitter rakt och jämnt mot monteringslisten.
3. Fäst aggregatet **[3]** med medföljande låsskruv **[4]** på monteringslisten **[1]**.



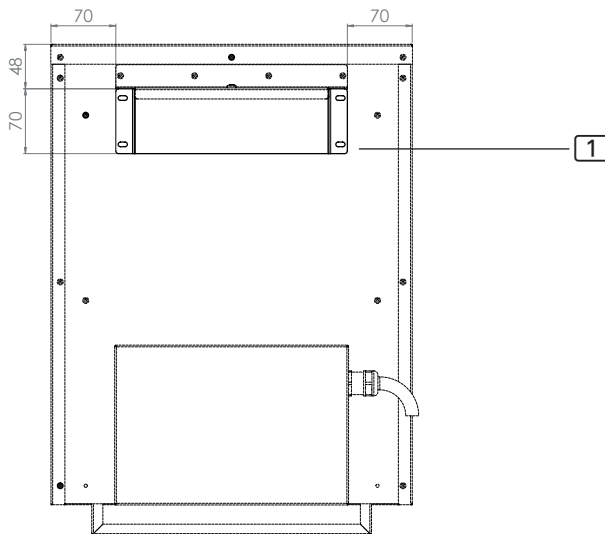
**VARNING!**  
**Brandrisk!**

- Fäst aggregatet med medföljande låsskruv **[4]** så att det sitter fast säkert och stabilt.

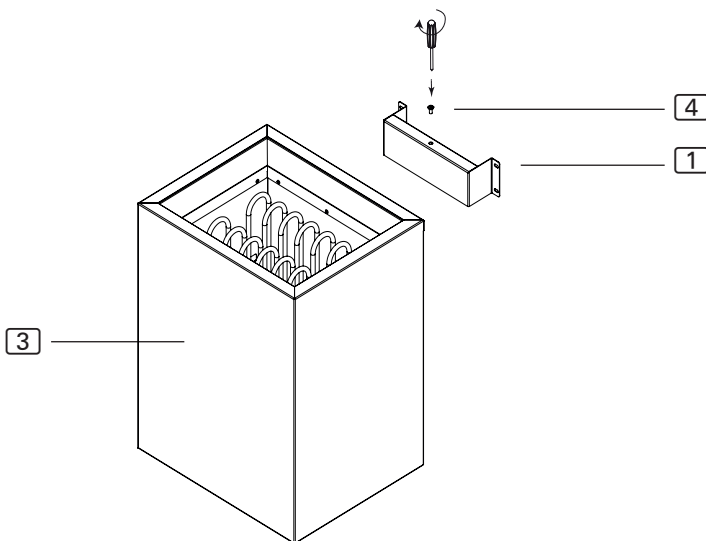
**Bild 2** Monteringslist Home fin  
Mått i mm



**Bild 3** Position för monteringslist Home fin  
Mått i mm



**Bild 4** Fastsättning Home fin (monteringslist)

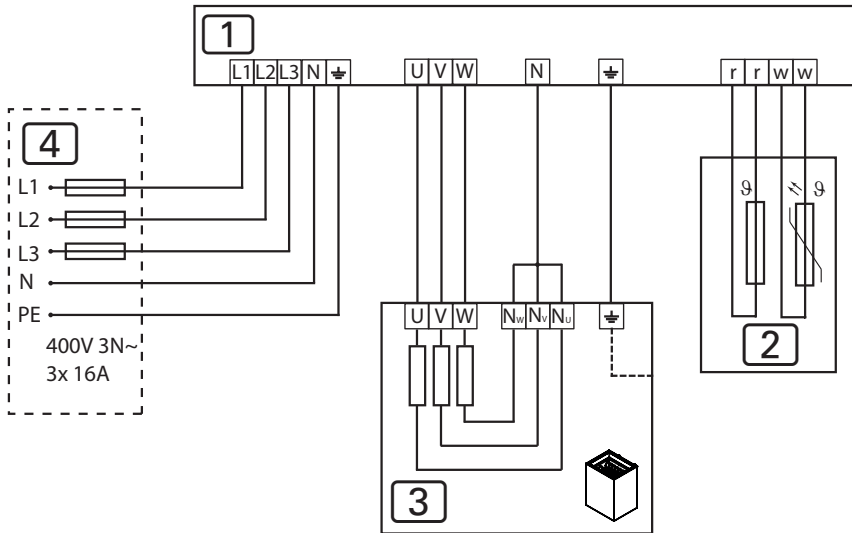


## 4.4. Kopplingschema för 400V 3N~

### Bild 5 Kopplingschema 400V 3N~

Home fin 4,5 kW, 6,0 kW, 7,5 kW och 9,0 kW

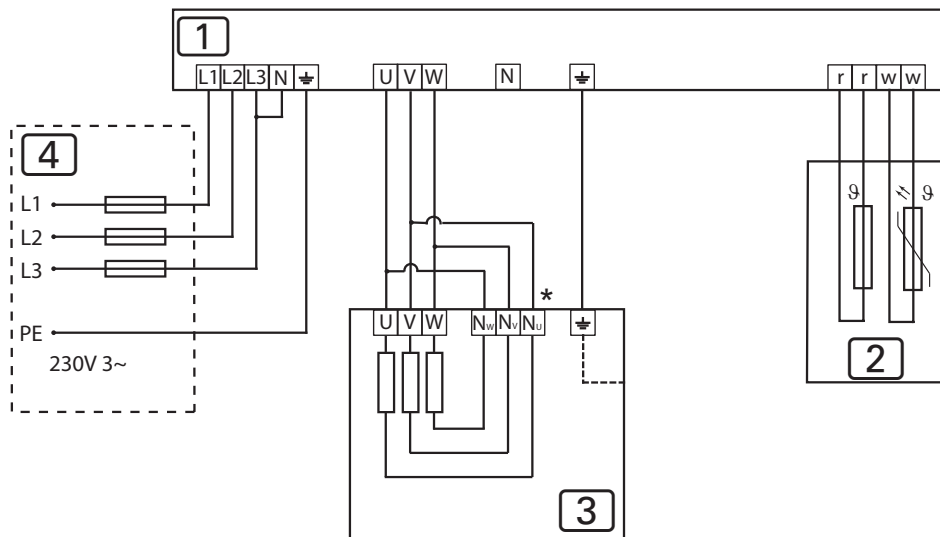
(HOME-F45 / HOME-F60 / HOME-F75 / HOME-F90)



- 1 Styrenhet
- 2 Temperaturgivare med övertemperaturskydd
- 3 Bastuaggregat
- 4 Strömförsörjning

## 4.5. Kopplingschema för 230V 3~

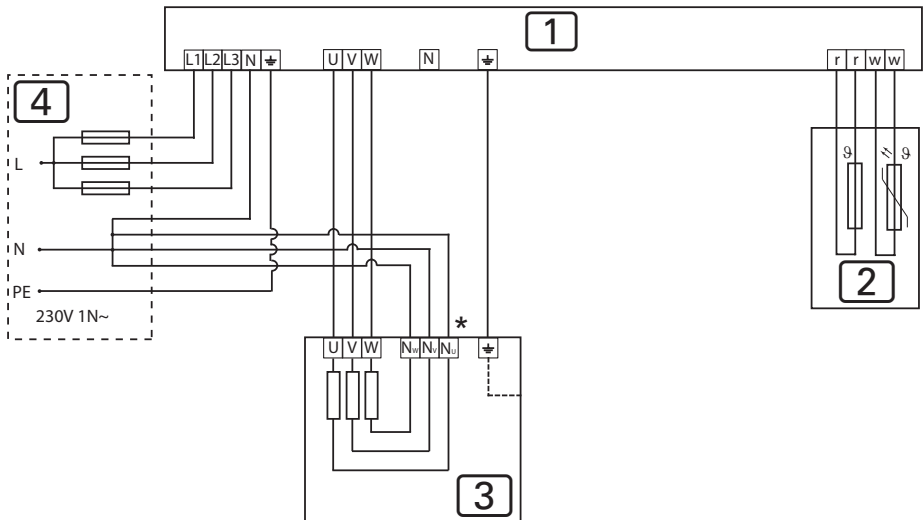
**Bild 6** Anschlussplan 230V 3~  
Home fin 4,5 kW und 6,0 kW  
(HOME-F45 / HOME-F60)



- 1 Styrenhet
- 2 Temperaturgivare med övertemperurskydd
- 3 Bastuaggregat
- 4 Strömförsörjning
- \* Borttagning av kopparbryggan

## 4.6. Kopplingschema för 230V 1N~

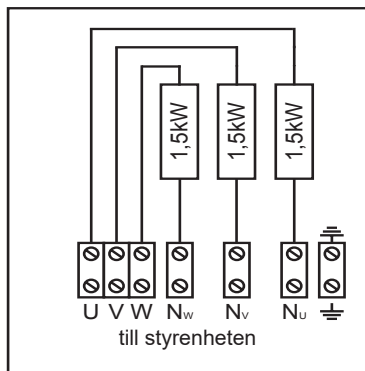
**Bild 7** Anschlussplan 230V 1N~  
 Home fin 4,5 kW, 6,0 kW, 7,5 kW und 9,0 kW  
 (HOME-F45 / HOME-F60 / HOME-F75 / HOME-F90)



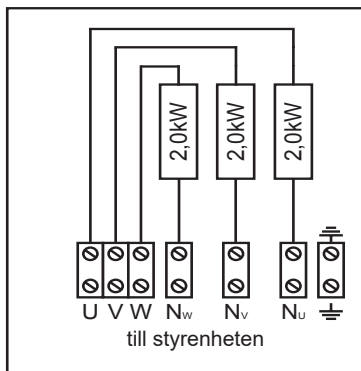
- 1 Styrenhet
- 2 Temperaturgivare med övertemperaturskydd
- 3 Bastuaggregat
- 4 Strömförsörjning
- \* Borttagning av kopparbryggan

## 4.7. Elschema

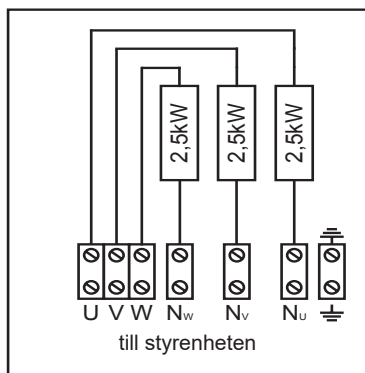
**HC4-FIN-45**  
4,5 kW



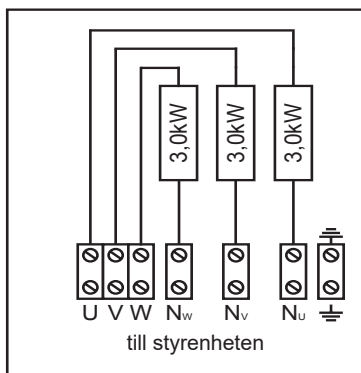
**HC4-FIN-60**  
6,0 kW



**HC4-FIN-75**  
7,5 kW



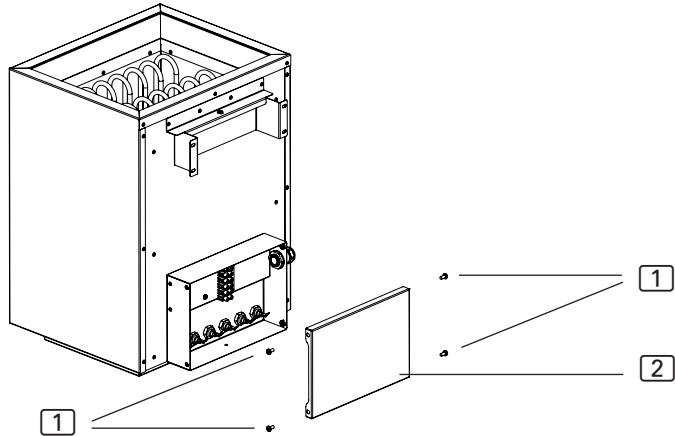
**HC4-FIN-90**  
9,0 kW





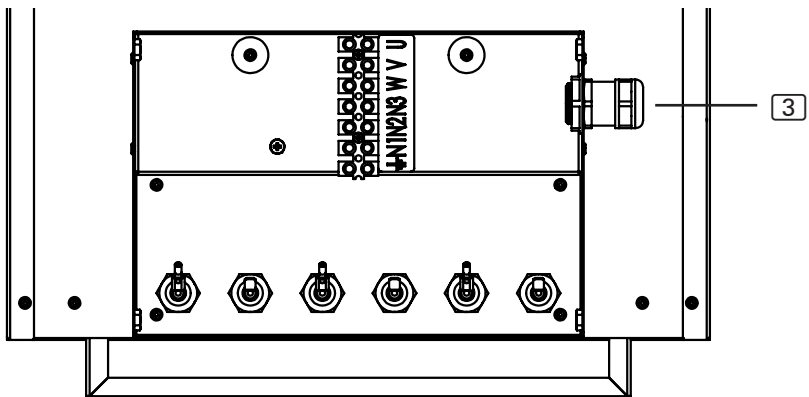
## 4.8. Elanslutning

1. Lossa skruvarna [1] med en skruvmejsel.
2. Ta bort täckplåten [2].



### Anslutning Home fin 4,5 kW, 6,0 kW, 7,5 kW och 9,0 kW (HOME-F45 / HOME-F60 / HOME-F75 / HOME-F90)

1. Dra anslutningskabeln genom genomföringen [3].
2. Anslut anslutningskabelns ledare, i enlighet med anslutningstyp, till bastuaggregatets anslutningar och till passande anslutningar på styrenheten. Läs installationsanvisningarna för styrenheten.
3. Montera täckplåten [1] på bastuaggregatet igen.



## 5. Idrifttagning

### 5.1. Fylla på stenkorgen

**VARNING!****Brandrisk på grund av överhettning**

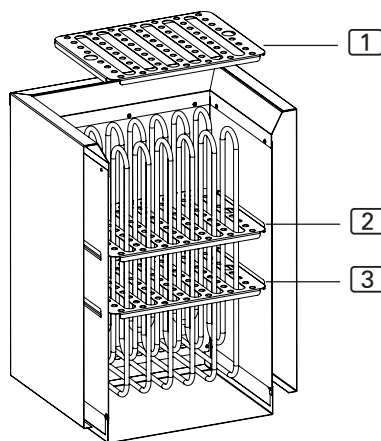
Om bastuaggregatet används utan bastustenar blir bastuns väggar mycket varma. Detta kan orsaka eldsvåda.

- Använd INTE bastuaggregatet utan bastustenar.

Stengallret **1** kan monteras i två olika höjdlägen.

Position **2**: mindre mängd stenar, kortare uppvärmningstider, energibesparing

Position **3** (position från fabrik): större mängd stenar, möjligt att hålla på större mängder vatten. Detta ökar mängden ånga, vilket leder till längre uppvärmningstider



Passande mängd stenar för resp. aggregat anges i kapitel **10. Tekniska data** (se sidan **24**).

1. Rengör först bastustenarna noga med vatten och en borste. Använd inga rengöringsmedel.
2. Kontrollera om det finns främmande partiklar på stenarna och ta bort alla förpackningsrester innan de läggs in i bastuaggregatet.
3. Lägg i bastustenarna i stenkorgen, även mellan värmestavarna. Lägg i bastustenarna löst på varandra så att luften kan cirkulera mellan dem.
4. **Se till att värmestavarna INTE vidrör varandra.**
5. Se till att stenarna inte sticker ut ovanför stenkorgens kant.

## 5.2. Den första uppvärmningen

---

**AKTA!*****Rök- och luktutveckling vid den första uppvärmningen***

På nya värmestavar finns det rester från tillverkningsprocessen. Dessa bryts ner när bastuaggregatet värms upp för första gången. När detta sker bildas det rök och en obehaglig lukt. Inandning av röken och ångorna utgör en hälsofara.

---

Följ nedanstående anvisningar när du använder bastuaggregatet **för första gången** och när **värmestavarna i bastuaggregatet har bytts ut**. På det här sättet kan du undvika skadliga effekter av ångorna och röken som bildas vid den första uppvärmningen.

1. Välj den högsta möjliga temperaturen på styrenheten till bastun.
2. Värm upp bastuaggregatet under en halvtimme.  
**Vistas INTE i basturummet under denna tid.**
3. Vädra bastun ordentligt efter den första uppvärmningen.
4. Om ingen rök eller lukt uppstår vid nästa uppvärmning kan du börja använda bastun.  
Om rök eller lukt uppstår, lämna omedelbart basturummet, upprepa den första uppvärmningen och vädra därefter bastun igen.

## 6. Användning

---

**VARNING!****Brandrisk!**

Brännbara föremål som ligger på det varma bastuaggregatet kan antändas och orsaka eldsvåda.

- Lägg ALDRIG brännbara föremål på bastuaggregatet.
  - Kontrollera att det INTE finns några brännbara föremål på bastuaggregatet innan bastuaggregat sätts igång.
- 

### 6.1. Användning

Bastuaggregatet styrs via en styrenhet. Användningen av styrenheten beskrivs i tillhörande bruksanvisning. Observera att bastuaggregatet Concept R mini endast är avsett för styrenheter utan fjärrstart- och timerfunktion/tidsstyrning.

### 6.2. Hälla vatten på stenarna

Man kan avsluta bastubadet med att hälla vatten på stenarna. Häll vatten på bastustenarna med en bastuskopa. Vattnet förångas och luften blir fuktigare i bastun.

Observera följande:

- Använd endast kranvatten. Saltvatten, starkt kalkhaltigt eller klorerat vatten kan leda till skador på bastuaggregatet.
- Använd endast doftämnen eller eteriska oljor som uttryckligen är avsedda för användning i bastu. Observera anvisningarna och uppgifterna på resp. förpackning.
- Häll inte vattnet för snabbt över bastustenarna. Om det hälls för snabbt över stenarna förångas det inte riktigt.

## 7. Underhåll

### 7.1. Längre användningsuppehåll

Fuktiga omgivningar och långa användningsuppehåll leder till att fukt adsorberas i värmestavarna. Detta är ett fysikaliskt förlopp och inget tillverkningsfel. Fukten i värmestavarna kan leda till att FI-skyddsbrytaren löser ut. Låt i sådana fall en elektriker åtgärda felet (se kapitel 9. **Felavhjälpning utförd av installatören**).



Värm upp bastuaggregatet i ca 15 minuter var 5:e till var 6:e vecka. På så sätt förhindrar man att fukt adsorberas i värmestavarna under längre användningsuppehåll.

### 7.2. Rengöring av bastuaggregatet

Se till att det inte samlas ludd eller damm i ventilationsöppningarna. På så sätt förhindrar man att luftcirkulationen försämras i bastuaggregatet. Försämrade luftcirkulation kan leda till överhettning.

### 7.3. Byta bastustenar

Bastustenarna påverkas både av vätskan och av de stora temperaturskillnaderna som uppstår under användningen. De kan bli anfräta och spröda.

Kontrollera bastustenarna regelbundet och byt ut dem minst en gång om året.



#### **VARNING!**

#### ***Brandrisk på grund av överhettning***

Om bastuaggregatet används utan bastustenar blir bastuns väggar mycket varma. Detta kan orsaka eldsvåda.

- Använd INTE bastuaggregatet utan bastustenar.

1. Ta bort de gamla bastustenarna.
2. Avlägsna kalkavlagringar, damm och andra föroreningar från stenkorgen.
3. Rengör först bastustenarna noga med vatten och en borste. Använd inga rengöringsmedel.
4. Kontrollera om det finns främmande partiklar på stenarna och ta bort alla förpackningsrester innan de läggs in i bastuaggregatet.
5. Lägg bastustenarna i stenkorgen. Lägg i bastustenarna löst på varandra så att luften kan cirkulera mellan dem.
6. Se till att stenarna inte sticker ut ovanför stenkorgens kant.

## 8. Avfallshantering



- Ta hand om förpackningsmaterialet enligt gällande bestämmelser.
- Enheterna innehåller både återanvändbart material och skadliga ämnen. Släng inte aggregatet bland hushållssoporna, utan lämna det till återvinning enligt gällande bestämmelser.

## 9. Felavhjälpning utförd av installatören

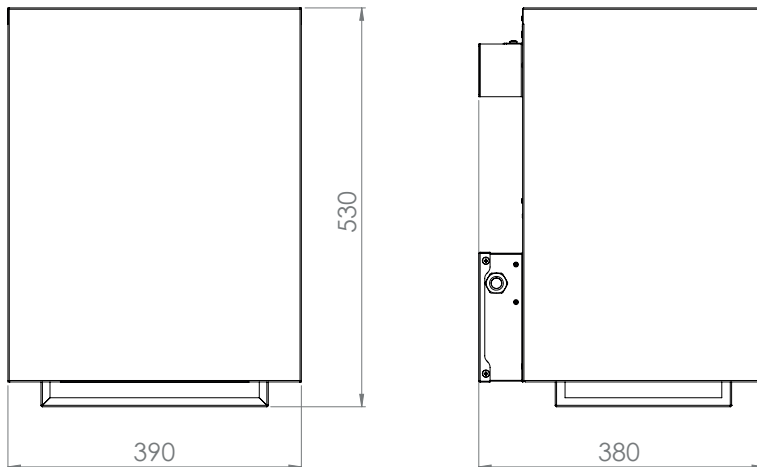
### *Uppvärmning och torkning av värmestavarna*

Fuktiga omgivningar och långa användningsuppehåll kan leda till att fukt adsorberas i värmestavarna. Detta är ett fysikaliskt förlopp och inget tillverkningsfel. Fukten i värmestavarna kan i vissa fall leda till att FI-skyddsbrytaren löser ut.

I sådana fall ska bastuaggregatet värmas upp för torkning under uppsikt av en elektriker. FI-skyddsbrytarens skyddsfunktion ska då sättas ur funktion. Uppvärmningen/torkningen tar ca 10 minuter. Därefter ska FI-skyddsbrytarens skyddsfunktion återställas igen.

Kontakta leverantören/återförsäljaren om problemet kvarstår efter detta.

**Bild 8** Mått Home fin 4,5 kW, 6,0 kW, 7,5 kW och 9,0 kW  
(HOME-F45 / HOME-F60 / HOME-F75 / HOME-F90)  
Mått i mm



## 10. Tekniska data

Måttuppgifterna finns på **Bild 8**.

Artikel-nummer	Effekt [kW]	Basturummets volym [m <sup>3</sup> ]	Ventilationsöppningens min. storlek [mm]	Vikt utan stenar [kg]
HOME-F45	4,5	3–6	350 x 25	15
HOME-F60	6,0	5–9	350 x 30	15
HOME-F75	7,5	7–13	350 x 35	15
HOME-F90	9,0	8–14	350 x 50	15

Artikel-nummer	Stenmängd [kg]	Säkring [A]	Matningsspänning
HOME-F45	ca. 20 / 30	3 x 10	400 V AC 3N~ 50/60 Hz 230 V AC 1N~ 50/60 Hz 230 V AC 3~ 50/60 Hz
HOME-F60	ca. 20 / 30	3 x 10	400 V AC 3N~ 50/60 Hz 230 V AC 1N~ 50/60 Hz 230 V AC 3~ 50/60 Hz
HOME-F75	ca. 20 / 30	3 x 16	400 V AC 3N~ 50/60 Hz 230 V AC 1N~ 50/60 Hz
HOME-F90	ca. 20 / 30	3 x 16	400 V AC 3N~ 50/60 Hz 230 V AC 1N~ 50/60 Hz

Artikel-nummer	Värmestavar
HOME-F45	3 x HP-HOME-150 (1-043-617)
HOME-F60	3 x HP-HOME-200 (1-043-618)
HOME-F75	3 x HP-HOME-250 (1-043-619)
HOME-F90	3 x HP-HOME-300 (1-043-620)



# Saunová kamna

## Home fin

HOME-F45 / 1-039-794: Home fin 4,5 kW

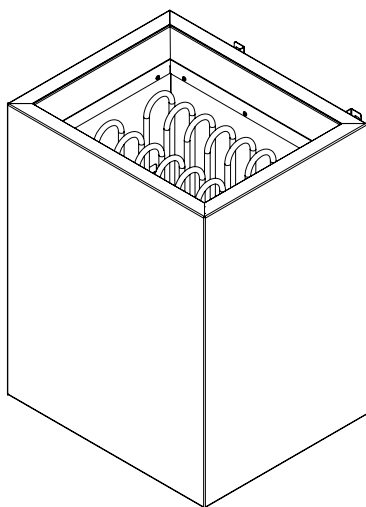
HOME-F60 / 1-039-795: Home fin 6,0 kW

HOME-F75 / 1-039-796: Home fin 7,5 kW

HOME-F90 / 1-039-797: Home fin 9,0 kW

### NÁVOD K MONTÁŽI A POUŽITÍ

#### česky



CS

# Obsah

<b>1. O tomto návodu</b>	<b>4</b>
<b>2. Důležité pokyny pro vaši bezpečnost</b>	<b>5</b>
2.1. Použití v souladu s určením	5
2.2. Bezpečnostní informace pro montéra	6
2.3. Bezpečnostní informace pro uživatele	7
<b>3. Popis výrobku</b>	<b>9</b>
3.1. Rozsah dodávky	9
3.2. Funkce výrobku	9
<b>4. Montáž a připojení</b>	<b>10</b>
4.1. Místo instalace a poloha čidla	10
4.2. Bezpečnostní vzdálenosti	11
4.3. Montáž ke stěně kabiny	12
4.4. Schéma zapojení pro 400V 3N~	14
4.5. Schéma zapojení pro 230V 3~	15
4.6. Schéma zapojení pro 230V 1N~	16
4.7. Schémata zapojení	17
4.8. Elektrické připojení	18
<b>5. Uvedení do provozu</b>	<b>19</b>
5.1. Plnění koše na kameny	19
5.2. První nahřívání	20
<b>6. Obsluha</b>	<b>21</b>
6.1. Obsluha saunových kamen	21
6.2. Polévání	21

<b>7. Údržba</b>	<b>22</b>
7.1. Delší přestávky v provozu.....	22
7.2. Čistění saunových kamen.....	22
7.3. Výměna saunových kamenů.....	22
<b>8. Likvidace</b>	<b>23</b>
<b>9. Řešení problémů montérem</b>	<b>24</b>
<b>10. Technické údaje</b>	<b>25</b>

# 1. O tomto návodu

Tento návod k montáži a použití si důkladně přečtěte a uložte ho v blízkosti sauny. Tak si můžete vždy dodatečně přečíst informace o bezpečnosti a obsluze.



Tento návod k montáži a použití naleznete také v sekci ke stažení na našem webu na adrese [www.sentiotec.com/downloads](http://www.sentiotec.com/downloads).

## **Symboly ve výstražných pokynech**

V tomto návodu k montáži a použití je text o činnostech, z nichž vyplývá určité riziko, uvozen výstražným pokynem. Tyto výstražné pokyny bezpodmínečně dodržujte. Zabráníte tak věcným škodám a poraněním, která mohou být v nejhorším případě dokonce smrtelná.

Ve výstražných pokynech jsou použita signální slova, která mají následující význam:



### **NEBEZPEČÍ!**

Pokud tento výstražný pokyn nebude dodržen, bude to mít za následek smrt nebo vážné zranění.



### **VÝSTRAHA!**

Pokud tento výstražný pokyn nebude dodržen, může to mít za následek smrt nebo vážné zranění.



### **UPOZORNĚNÍ!**

Pokud tento výstražný pokyn nebude dodržen, může to mít za následek lehká zranění.

## **POZOR!**

Tento signální symbol upozorňuje na věcné škody.

## **Jiné symboly**



Tento symbol označuje tipy a užitečné pokyny.



Nezakrývat!



Pročtěte si návod k obsluze

## 2. Důležité pokyny pro vaši bezpečnost

Saunová kamna Home fin byla vyrobena podle uznávaných bezpečnostně-technických pravidel. Přesto mohou při jejich používání vznikat rizika. Dodržujte proto následující bezpečnostní pokyny a zvláštní výstražné pokyny uvedené v jednotlivých kapitolách.

### 2.1. Použití v souladu s určením

Saunová kamna Home fin smíte používat pouze k vyhřívání saunových kabin v kombinaci s řídicí jednotkou sauny bez funkce dálkového zapínání a doby předvolby.

Saunová kamna Home fin lze pouze v kombinaci s volitelně dostupným bezpečnostním vypnutím provozovat také s řídicí jednotkou sauny, která je vybavena funkcí dálkového zapínání.

Saunová kamna Home fin lze pouze v kombinaci s volitelně dostupným bezpečnostním vypnutím provozovat také ve veřejných saunách.

Jakékoli jiné použití nad tento rámec se považuje za použití v rozporu s určením. Použití v rozporu s určením může vést k poškození výrobku, vážným zraněním nebo smrti.

## 2.2. Bezpečnostní informace pro montéra

- Montáž a připojení saunových kamen se smí provádět pouze ve stavu odpojení od napětí.
- Montáž smí provádět pouze kvalifikovaný elektrikář nebo jiná, srovnatelným způsobem kvalifikovaná osoba.
- V místě instalace musí být instalován odpojovač s odpojením všech pólů s úplným vypnutím v souladu s přepěťovou kategorií III.
- K připojení saunových kamen používejte výlučně silikonová vedení odolná vůči teplotě do 150 °C.
- V kabině instalujte pouze jedna saunová kamna. Saunová kamna Home fin nesmíte v saunové kabině používat společně s jinými saunovými kamny.
- Stropy a stěny saunové kabiny smí být vyrobeny z neopracovaných nebo tepelně opracovaných druhů dřeva s nízkým obsahem pryskyřice, např. severský smrk, jedlovec, borovice nebo jedle nebo z vrstvených dřevěných materiálů. Při použití vrstvených dřevěných materiálů je nutné dbát na to, aby jejich lepidla neobsahovala formaldehyd. Pokud budou v saunové kabině použity jiné materiály než dřevo, musejí být odolné vůči teplu a korozi a nesmí mít žádné negativní účinky na zdraví osob v sauně.
- Výška saunové kabiny musí činit minimálně 1,9 m.
- Dodržujte požadavky na objem saunové kabiny a její větrání uvedené v kapitole **10. Technické údaje**.
- Při instalaci saunové kabiny dodržujte minimální bezpečnostní vzdálenosti (viz kapitola **4.2. Bezpečnostní vzdálenosti**).
- Dodržujte také místní předpisy v místě instalace.
- V případě problémů, které nejsou dostatečně podrobně řešeny v návodu k montáži, se v zájmu vlastní bezpečnosti obraťte na svého dodavatele.

### 2.3. Bezpečnostní informace pro uživatele

- Zařízení nesmí používat děti do 8 let věku.
- Zařízení smí používat děti ve věku nad 8 let, osoby s omezenými fyzickými, smyslovými nebo duševními schopnostmi a osoby s nedostatečnými zkušenostmi a znalosti za následujících podmínek:
  - pokud jsou pod dozorem.
  - pokud jim bylo správné používání předvedeno a rozumějí rizikům, která mohou vzniknout.
- Děti si se zařízením nesmí hrát.
- Děti mladší 14 let smí zařízení čistit, pouze pokud jsou pod dozorem.
- Saunování není ze zdravotních důvodů vhodné pro osoby pod vlivem alkoholu, léků nebo drog.
- Saunová kamna nikdy neuvádějte do provozu bez saunových kamenů, mohlo by to způsobit požár.
- Před zapnutím řídicí jednotky sauny se ujistěte, že na saunových kamnech neleží žádné hořlavé předměty.
- **PŘED** prvním saunováním saunová kamna na půl hodiny roze-hřejte. Během této doby se **NEZDRŽUJTE** v saunové kabině. Následně saunovou kabinu dobře vyvětrejte (viz **5.2. První nahřívání** na straně **19**).
- Saunových kamen se během provozu nedotýkejte. Povrch saunových kamen a saunové kameny se zahřívají na vysoké teploty.
- V případě problémů, které nejsou dostatečně podrobně řešeny v návodu k použití, se v zájmu vlastní bezpečnosti obraťte na svého dodavatele.

## **3. Popis výrobku**

### **3.1. Rozsah dodávky**

- Saunová kamna
- Návod k montáži a použití

### **3.2. Funkce výrobku**

Saunová kamna Home fin jsou finská saunová kamna a umožňují vytváření klimatu typického ve finské sauně při teplotě 80 až 100 °C a vlhkosti vzduchu asi 10 %.



## 4. Montáž a připojení

Při instalaci a připojení saunových kamen zohledněte následující body:



### VÝSTRAHA!

#### *Nebezpečí úrazu elektrickým proudem*

- Montáž a připojení saunových kamen provádějte pouze ve stavu bez napětí.
- 

- Elektrické připojení smí provádět pouze kvalifikovaný elektrikář nebo srovnatelným způsobem kvalifikovaná osoba.
- V místě instalace musí být instalován odpojovač s odpojením všech pólů s úplným vypnutím v souladu s přepěťovou kategorií III.
- Saunová kamna Home fin jsou nástěnná kamna. Před použitím musíte zkontrolovat pevné upevnění kamen k montážní liště.

### 4.1. Místo instalace a poloha čidla

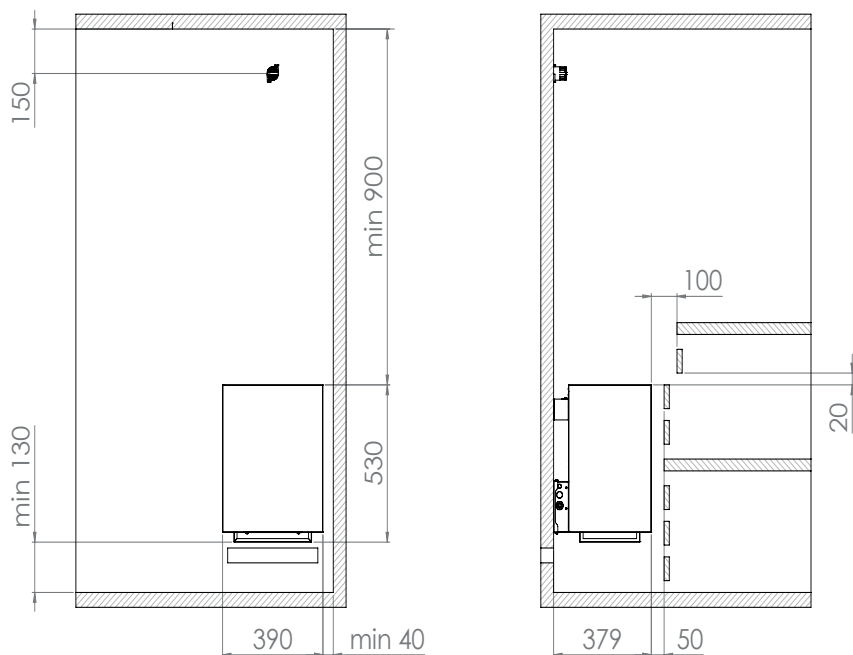
Kamna namontujte doprostřed před vstupní otvor vzduchu ve stěně kabiny. Přitom dodržujte bezpečnostní vzdálenosti od stěny kabiny uvedené na **Obr. 1**.

Teplotní čidlo s pojistkou proti přehřátí namontujte na stěnu kabiny nad středem saunových kamen. Dodržujte vzdálenost od stropu kabiny 15 cm.

## 4.2. Bezpečnostní vzdálenosti

Dodržujte minimální bezpečnostní vzdálenosti uvedené na **Obr. 1**.

**Obr. 1** Bezpečnostní vzdálenosti  
Home fin 4,5 kW, 6,0 kW, 7,5 kW a 9,0 kW  
(HOME-F45 / HOME-F60 / HOME-F75 / HOME-F90)  
Rozměry v mm



### 4.3. Montáž ke stěně kabiny

Pracujte podle **obr. 1**, **obr. 2**, **obr. 3** a **obr. 4** (strana **11**, **12**, **13**).

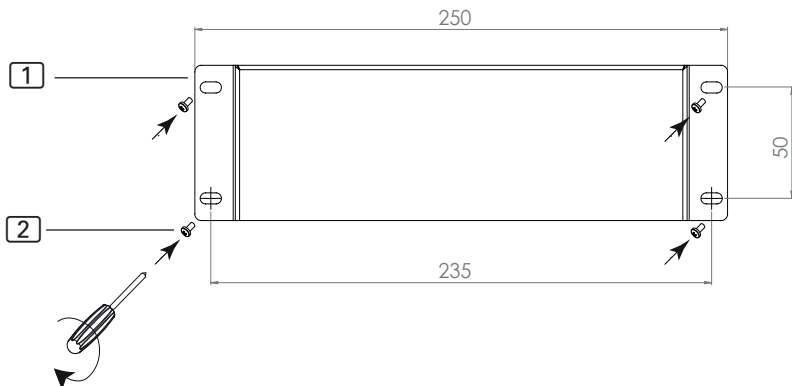
1. Upevněte montážní lištu **1** vodorovně ke stěně dodanými vruty **2**. Dodržujte přitom minimální vzdálenosti kamen podle obr. 1.
2. Zavěste kamna **3** shora dolů na montážní lištu. Kamna musejí správně dosedat.
3. Zajistěte kamna **3** dodaným upevňovacím šroubem **4** k montážní liště **1**.



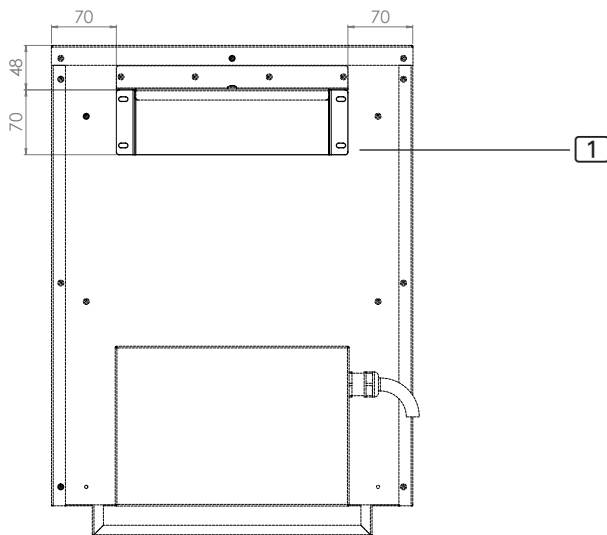
#### **VÝSTRAHA!** *Riziko požáru*

- K upevnění kamen a jejich zajištění proti nechtěnému pohybu upevněte kamna dodaným pojistným šroubem **4**.

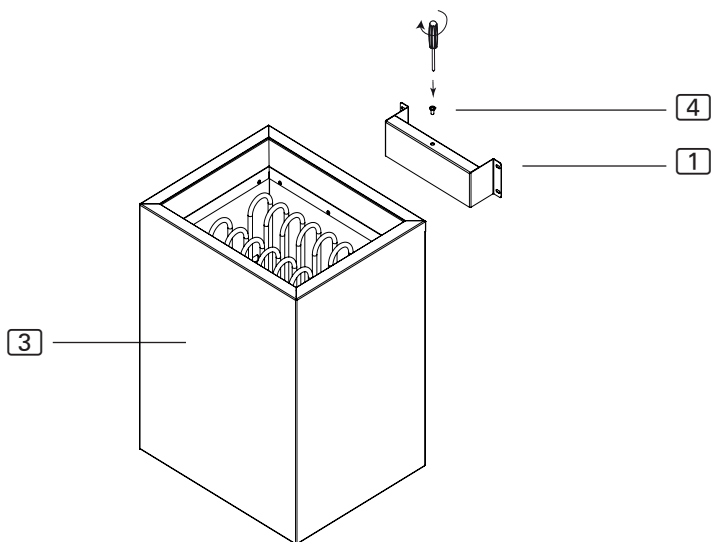
**Obr. 2** Montážní lišta Home fin  
Rozměry v mm



**Obr. 3** Umístění montážní lišty Home fin  
Rozměry v mm



**Obr. 4** Pojistka Home fin (montážní lišta)

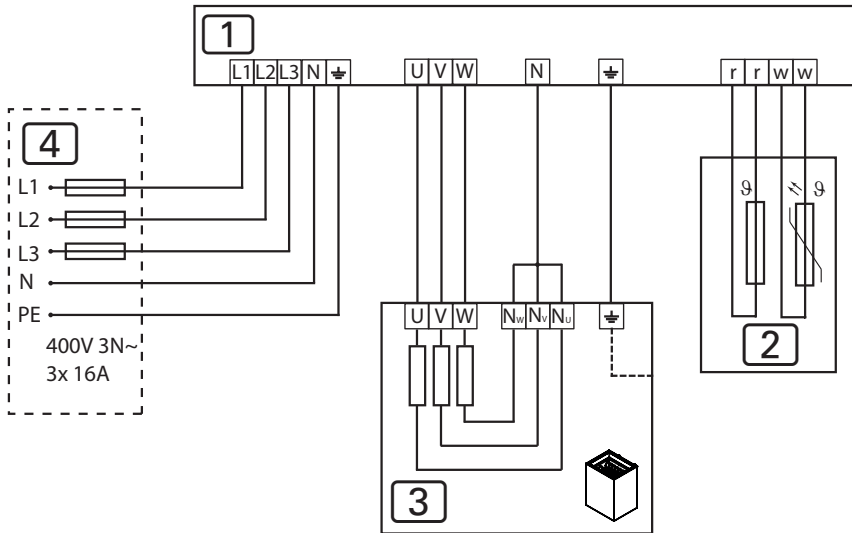


#### 4.4. Schéma zapojení pro 400V 3N~

**Obr. 5** Schéma zapojení 400V 3 N~

Home fin 4,5 kW, 6,0 kW, 7,5 kW a 9,0 kW

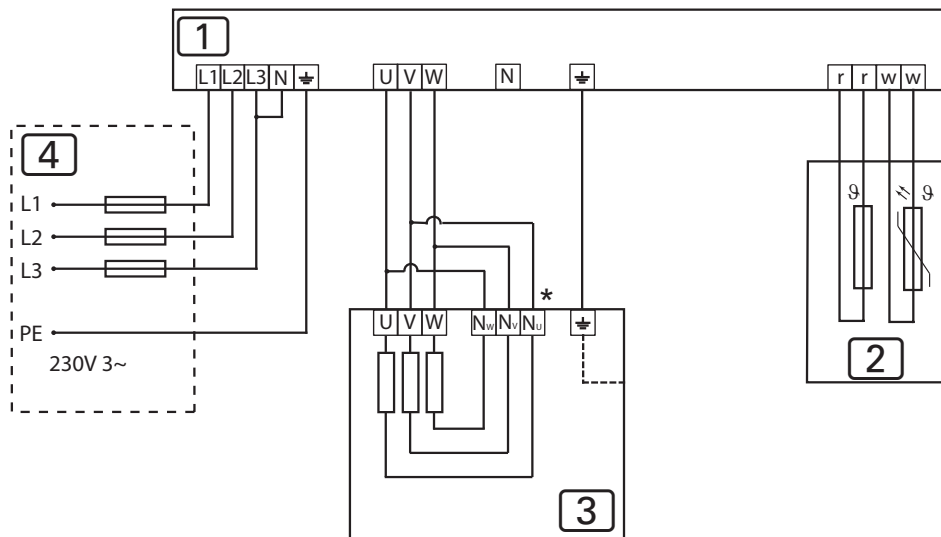
(HOME-F45 / HOME-F60 / HOME-F75 / HOME-F90)



- 1 Řídicí jednotka sauny
- 2 Čidlo teploty s pojistkou proti přehřátí
- 3 Saunová kamna
- 4 Napájecí zdroj

## 4.5. Schéma zapojení pro 230V 3~

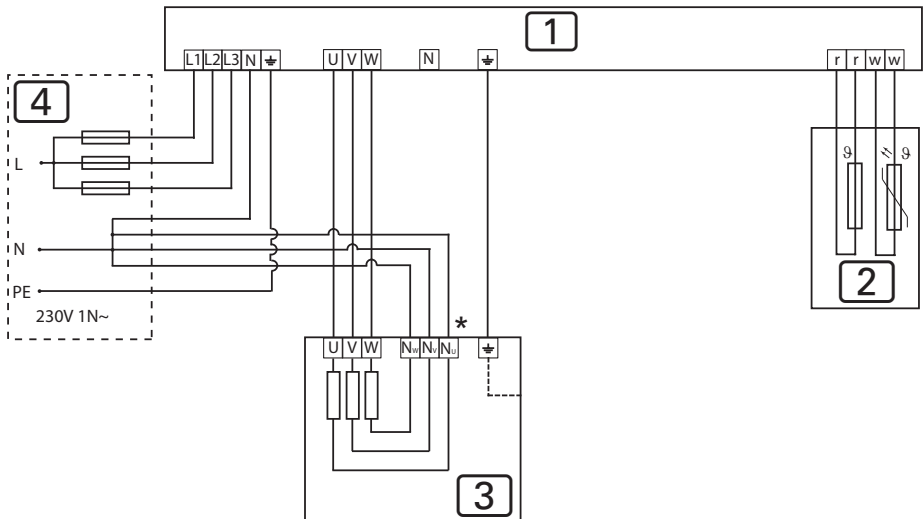
**Obr. 6** Schéma zapojení 230V 3~  
Home fin 4,5 kW und 6,0 kW  
(HOME-F45 / HOME-F60)



- 1 Řídicí jednotka sauny
- 2 Čidlo teploty s pojistkou proti přehřátí
- 3 Saunová kamna
- 4 Napájecí zdroj
- \* Odstraňte měděný můstek

## 4.6. Schéma zapojení pro 230V 1N~

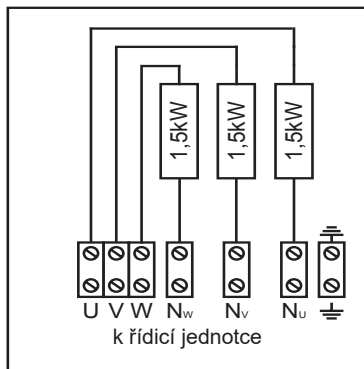
**Obr. 7** Schéma zapojení 230V 1N~  
 Home fin 4,5 kW, 6,0 kW, 7,5 kW und 9,0 kW  
 (HOME-F45 / HOME-F60 / HOME-F75 / HOME-F90)



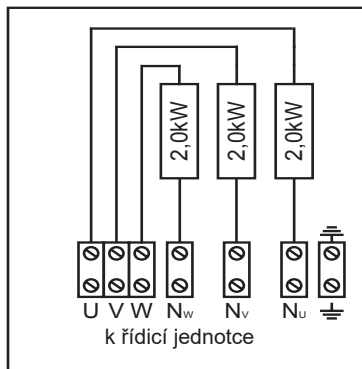
- 1 Řídicí jednotka sauny
- 2 Čidlo teploty s pojistkou proti přehřátí
- 3 Saunová kamna
- 4 Napájecí zdroj
- \* Odstraňte měděný můstek

## 4.7. Schémata zapojení

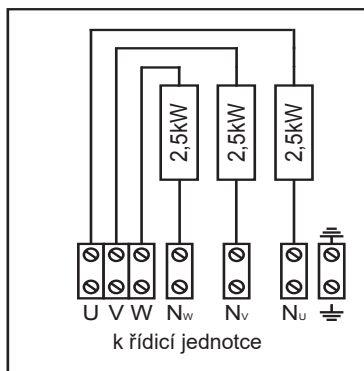
**HC4-FIN-45**  
4,5 kW



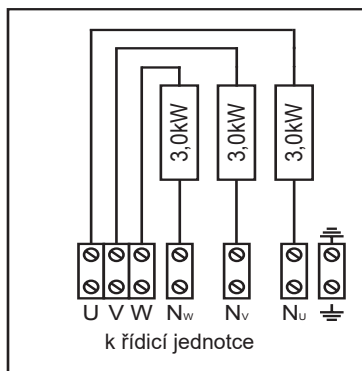
**HC4-FIN-60**  
6,0 kW



**HC4-FIN-75**  
7,5 kW



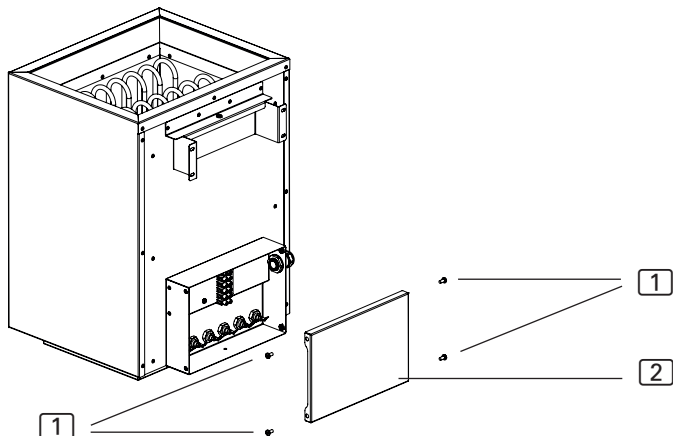
**HC4-FIN-90**  
9,0 kW





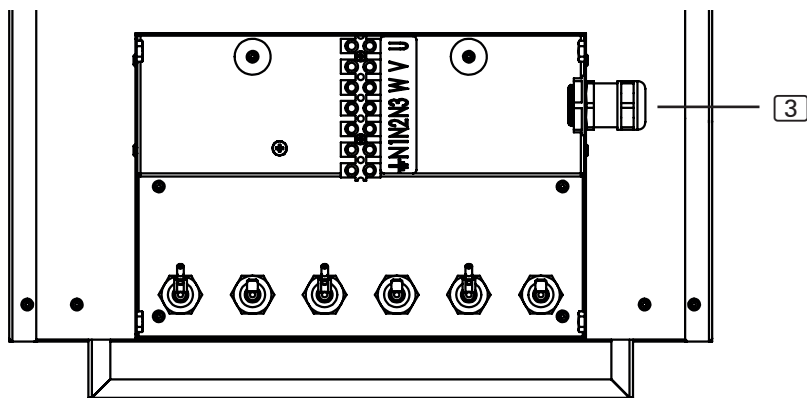
## 4.8. Elektrické připojení

1. Povolte šroubovákem šrouby [1].
2. Sejměte krycí plech [2].



### **Připojení systému Home fin 4,5 kW, 6,0 kW, 7,5 kW a 9,0 kW (HOME-F45 / HOME-F60 / HOME-F75 / HOME-F90)**

1. Připojovací kabel provlečte průchodkou [3].
2. Připojte vodiče přívodního kabelu v závislosti na druhu připojení ke svorkám sanových kamen a k příslušným svorkám řídicí jednotky sauny. Přitom dodržte návod k montáži řídicí jednotky sauny.
3. Krycí plech [1] upevněte opět k saunovým kamnům.



## 5. Uvedení do provozu

### 5.1. Plnění koše na kameny



#### VÝSTRAHA!

#### *Riziko požáru přehřátím*

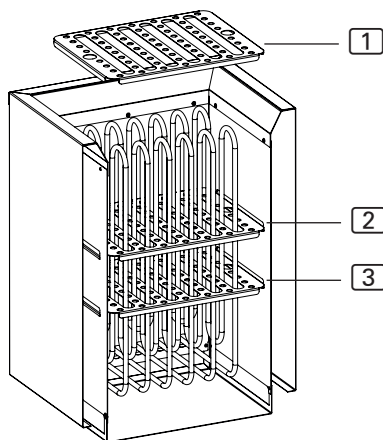
Pokud se saunová kamna používají bez saunových kamenů, stěny kabiny se silně zahřívají. To může být příčinou požáru.

- Saunová kamna NIKDY neuvádějte do provozu bez saunových kamenů.

Mřížku na kameny **1** můžete namontovat do dvou různých výšek.

Pozice **2**: menší množství kamenů, kratší doba zahřívání, úspora energie

Pozice **3** (z výroby): větší množství kamenů, při zalévání můžete použít větší množství vody - tím vznikne více páry, delší doba zahřívání



Množství kamenů vhodné pro vaše kamna je uvedeno v kapitole **10. Technické údaje** (viz strana **24**).

1. Saunové kameny před použitím důkladně očistěte kartáčem a omyjte vodou. Nepoužívejte žádné čisticí přísady.
2. Kameny před vložením do saunových kamen zkontrolujte, zda neobsahují cizí tělesa, a odstraňte zbytky obalů.
3. Vložte saunovací kameny do koše na kameny - i mezi topné tyče. Saunové kameny naskládejte volně, aby mezíprostorem mohl proudit vzduch.
4. **Pamatujte, že se topné tyče NESMĚJÍ vzájemně dotýkat.**
5. Dbejte, aby saunové kameny nepřesahovaly přes okraj koše na kameny.

## 5.2. První nahřívání



### **OPATRNĚ!**

#### ***Při prvním rozezhřívání vzniká kouř a je cítit zápach***

Na nových topných tyčích jsou provozní látky z výrobního procesu. Ty se při prvním rozezhřívání saunových kamen rozkládají. Přitom vzniká kouř a nepříjemný zápach. Vdechování těchto výparů nebo kouře škodí vašemu zdraví.

Při **prvním zprovoznění** a při **výměně topných tyčí saunových kamen** proveďte následující kroky. Zabráníte tak ohrožení zdraví výparů a kouřem, které vznikají při prvním rozezhřívání.

1. Na řídicí jednotce sauny nastavte co nejvyšší teplotu.
2. Saunová kamna nahřívajte půl hodiny.  
**Během této doby se NEZDRŽUJTE v saunové kabině.**
3. Po prvním rozezhřátí dobře vyvětrejte saunovou kabinu.
4. Pokud při dalším rozezhřátí nedochází ke vzniku kouře a pachu, můžete se začít saunovat.

Pokud se znovu uvolňuje kouř nebo zápach, okamžitě opusťte saunovou kabinu a opakujte rozezhřátí kamen se zapnutým ventilátorem.

## 6. Obsluha

---



### **VÝSTRAHA!**

#### ***Riziko požáru***

Hořlavé předměty položené na saunových kamnech se mohou vznítit a způsobit požár.

- Na saunová kamna **NIKDY** nepokládejte hořlavé předměty.
  - Před uvedením saunových kamen do provozu se ujistěte, že na saunových kamnech neleží žádné hořlavé předměty.
- 

### 6.1. Obsluha saunových kamen

Obsluha saunových kamen probíhá přes řídicí jednotku sauny. Informace k obsluze řídicí jednotky sauny naleznete v návodu k obsluze používaného zařízení. Pamatujte, že saunová kamna Concept R mini jsou vhodná pouze pro řídicí jednotku sauny bez funkce dálkového zapínání a předvolby času.

### 6.2. Polévání

Na konci saunování lze provést polévání. Saunové kameny polijte pomocí saunové naběračky vodou. Tím se voda odpaří a zvýší se vlhkost vzduchu v saunové kabině.

Při polévání dodržujte následující body:

- K polévání používejte pouze vodu z kohoutku. Mořská voda, voda s vysokým obsahem vápníku a chlorovaná voda mohou saunová kamna poškodit.
- Používejte pouze vonné látky a éterické oleje, které jsou výslovně vhodné k použití jako polévací prostředek v saunách. Dodržujte údaje výrobce uvedené na obalu polévacího prostředku.
- Saunové kameny nepolévejte vodou příliš rychle. Pouze tak se voda k polévání zcela odpaří.

## 7. Údržba

### 7.1. Delší přestávky v provozu

Ve vlhkém prostředí nebo po dlouhých přestávkách v provozu se v topných tyčích hromadí vlhkost. Jedná se o fyzikální proces a není to žádná chyba výrobce. Vlhkost v topných tyčích může vést ke spuštění proudového chrániče. V tomto případě povolte k odstranění poruchy kvalifikovaného elektrikáře (viz kapitola **9. Řešení problémů montérem**).



Saunová kamna nahřívejte jednou za 5 až 6 týdnů asi na 15 minut. Tak zabráníte, aby se při delších přestávkách v provozu hromadila voda v topných tyčích.

### 7.2. Čistění saunových kamen

Dbejte, aby odvětrávací otvory byly zbaveny tkaniny a prachu. Tak zabráníte omezení cirkulace vzduchu v saunových kamnech a přehřátí zařízení.

### 7.3. Výměna saunových kamenů

Saunové kameny jsou namáhány polévacími prostředky a velkými rozdíly teplot, které se vyskytují při používání. Saunové kameny mohou být narušovány a mohou praskat.

Saunové kameny v pravidelných intervalech kontrolujte a alespoň jednou za rok je vyměňte.



#### **VÝSTRAHA!**

#### ***Riziko požáru přehřátím***

Pokud se saunová kamna používají bez saunových kamenů, stěny kabiny se silně zahřívají. To může být příčinou požáru.

- Saunová kamna NIKDY neuvádějte do provozu bez saunových kamenů.

1. Staré saunové kameny odstraňte.
2. Z koše na kameny odstraňte zbytky vodního kamene, prachu a jiných nečistot.
3. Saunové kameny před použitím důkladně očistěte kartáčem a omyjte vodou. Nepoužívejte žádné čisticí přísady.
4. Kameny před vložením do saunových kamen zkontrolujte, zda neobsahují cizí tělesa, a odstraňte zbytky obalů.
5. Vložte saunové kameny do koše na kameny. Saunové kameny naskládejte volně, aby mezíprostorem mohl proudit vzduch.
6. Dbejte, aby saunové kameny nepřesahovaly přes okraj koše na kameny.

## 8. Likvidace



- Obalové materiály zlikvidujte podle směrnic platných pro likvidaci.
- Stará zařízení obsahují recyklovatelné materiály, ale i škodlivé látky. Stará zařízení proto v žádném případě neodkládejte do odpadu, ale zlikvidujte je podle místních platných předpisů.

## 9. Řešení problémů montérem

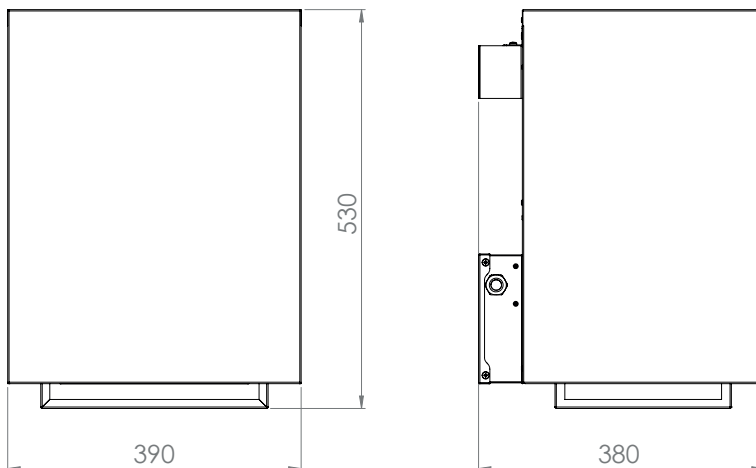
### *Vyhřívání topných tyčí*

Ve vlhkém prostředí nebo po dlouhých přestávkách v provozu se v topných tyčích může hromadit vlhkost. Jedná se o fyzikální proces a není to žádná chyba výrobce. Vlhkost v topných tyčích může v určitých případech vést ke spuštění proudového chrániče.

V tomto případě je nutné vyhřívát saunová kamna pod dozorem kvalifikovaného elektrikáře. Přitom musí být deaktivována funkce proudového chrániče. Postup vyhřátí zabere asi 10 minut. Poté je nutné bezpečnostní funkci proudového chrániče obnovit.

Pokud bude problém trvat i nadále, obraťte se na svého dodavatele.

**Obr. 8** Rozměry výrobku Home fin 4,5 kW, 6,0 kW 7,5 kW a 9,0 kW  
(HOME-F45 / HOME-F60 / HOME-F75 / HOME-F90)  
Rozměry v mm



## 10. Technické údaje

Rozměry jsou uvedeny v části **Obr. 8**.

Číslo položky	Výkon [kW]	Objem kabiny [m <sup>3</sup> ]	Minimální velikost odvětrávacího otvoru [mm]	Hmotnost bez kamenů [kg]
HOME-F45	4,5	3 - 6	350 x 25	15
HOME-F60	6,0	5 - 9	350 x 30	15
HOME-F75	7,5	7 - 13	350 x 35	15
HOME-F90	9,0	8 - 14	350 x 50	15

Číslo položky	Množství kamenů [kg]	Jištění [A]	Napájení
HOME-F45	ca. 20 / 30	3 x 10	400 V AC 3N~ 50/60 Hz 230 V AC 1N~ 50/60 Hz 230 V AC 3~ 50/60 Hz
HOME-F60	ca. 20 / 30	3 x 10	400 V AC 3N~ 50/60 Hz 230 V AC 1N~ 50/60 Hz 230 V AC 3~ 50/60 Hz
HOME-F75	ca. 20 / 30	3 x 16	400 V AC 3N~ 50/60 Hz 230 V AC 1N~ 50/60 Hz
HOME-F90	ca. 20 / 30	3 x 16	400 V AC 3N~ 50/60 Hz 230 V AC 1N~ 50/60 Hz

Číslo položky	Topné tyče
HOME-F45	3 x HP-HOME-150 (1-043-617)
HOME-F60	3 x HP-HOME-200 (1-043-618)
HOME-F75	3 x HP-HOME-250 (1-043-619)
HOME-F90	3 x HP-HOME-300 (1-043-620)



# Peč za savno

## Home fin

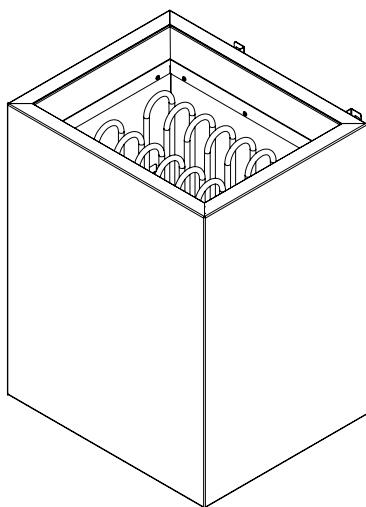
HOME-F45 / 1-039-794: Home fin 4,5 kW

HOME-F60 / 1-039-795: Home fin 6,0 kW

HOME-F75 / 1-039-796: Home fin 7,5 kW

HOME-F90 / 1-039-797: Home fin 9,0 kW

### NAVODILA ZA MONTAŽO IN UPORABO slovenščina



SL

# Kazalo vsebine

<b>1. K tem navodilom</b>	<b>4</b>
<b>2. Pomembni napotki za vašo varnost</b>	<b>5</b>
2.1. Uporaba skladna z določili	5
2.2. Varnostni napotki za monterja	6
2.3. Varnostni napotki za uporabnika	7
<b>3. Opis proizvoda</b>	<b>9</b>
3.1. Dobavni obseg	9
3.2. Funkcije proizvoda	9
<b>4. Montaža in priključitev</b>	<b>10</b>
4.1. Postavitveno mesto in položaj tipala	10
4.2. Varnostni razmiki	11
4.3. Montaža na steno kabine	12
4.4. Priključni načrt za 400V 3N~	14
4.5. Priključni načrt za 230V 3~	15
4.6. Priključni načrt za 230V 1N~	16
4.7. Sheme priključitve in ožičenja	17
4.8. Električna priključitev	18
<b>5. Zagon</b>	<b>19</b>
5.1. Polnjenje posode za kamenje	19
5.2. Prvo zagrevanje	20
<b>6. Upravljanje</b>	<b>21</b>
6.1. Upravljanje peči za savno	21
6.2. Polivanje	21

<b>7. Vzdrževanje</b>	<b>22</b>
7.1. Daljši premori med obratovanji.....	22
7.2. Čiščenje peči za savno.....	22
7.3. Menjava kamenja za savno.....	22
<b>8. Odstranjevanje</b>	<b>23</b>
<b>9. Reševanje problemov s strani monterja</b>	<b>24</b>
<b>10. Tehnični podatki</b>	<b>25</b>

# 1. K tem navodilom

Navodila za montažo in uporabo skrbno preberite in jih shranite v bližini savne. Tako lahko v vsakem trenutku ponovno preberete informacije o vaši varnosti in o upravljanju.



Ta navodila za montažo in uporabo si lahko naložite z naše spletne strani [www.sentiotec.com/downloads](http://www.sentiotec.com/downloads).

## **Simboli in opozorila**

V teh navodilih za montažo in uporabo stoji pred dejanji, ki so nevarna, opozorilo. Brezpogojno sledite tem opozorilom. Tako preprečite materialno škodo in poškodbe, ki so lahko v najhujšem primeru celo smrtne.

V opozorilih so uporabljene signalne besede, ki imajo naslednji pomen:



### **NEVARNOST!**

Če tega opozorila ne upoštevate, so posledica smrt ali težke poškodbe.



### **OPOZORILO!**

Če tega opozorila ne upoštevate, so lahko posledica smrt ali težke poškodbe.



### **PREVIDNOST!**

Če tega opozorila ne upoštevate, so lahko posledica lahke poškodbe.

## **POZOR!**

Ta signalna beseda vas svari pred materialno škodo.

## **Drugi simboli**



Ta simbol označuje nasvete in uporabna navodila.



Ne prekrivajte!



Preberite navodila za upravljanje

## 2. Pomembni napotki za vašo varnost

Peč za savno Home fin je zgrajena po priznanih varnostno tehničnih smernicah. Kljub temu pa lahko pri uporabi nastanejo nevarnosti. Zato sledite naslednjim varnostnim napotkom in posebnim opozorilom v posameznih poglavjih.

### 2.1. Uporaba skladna z določili

Peč za savno Home fin se sme uporabljati le za ogrevanje kabin savn v kombinaciji s krmiljenjem savne brez funkcije daljinskega zagona in predizbire časa.

Le v kombinaciji z varnostnim izklopom, ki ga prejmete kot opcijo, sme peč za savno Home fin obratovati tudi s krmiljenjem savne, ki ima na voljo funkcijo daljinskega zagona.

Le v kombinaciji z varnostnim izklopom, ki ga prejmete kot opcijo, sme peč za savno Home fin obratovati tudi v javnih savnah.

Vsaka drugačna uporaba velja kot uporaba, ki ni skladna z določili. Z določili neskladna uporaba lahko povzroči poškodovanje proizvoda, težke poškodbe ali smrt.

## 2.2. Varnostni napotki za monterja

- Montažo in priključitvena dela na peči za savno se sme opraviti le v breznapetostnem stanju.
- Montažo sme opraviti le elektro strokovnjak ali kvalificirana oseba podobne stroke.
- Na mestu samem je potrebno predvideti ločilno napravo za vse pole s popolnim izklopom skladno s prenapetostno kategorijo III.
- Za priključitev peči za savno uporabite izključno silikonske vodnike, ki so obstojni do temperature 150°C.
- V kabino inštalirajte le eno peč. Peči za savno Home fin se ne sme uporabiti v kabini skupaj z drugimi pečmi za savne.
- Stropi in stene kabine se izdelajo iz neobdelanega lesa, ki vsebuje malo smole ali iz termično obdelanega lesa, npr. nordijske smreke, čuge, bora ali jelke ali iz materialov iz lepljenih lesnih slojev. Pri uporabi materialov iz lepljenih lesnih slojev se mora paziti na to, da lepila ne oddajajo formaldehida. Če se v kabini savne uporabijo drugi materiali kot les, morajo biti ti odporni proti vročini in koroziji in ne smejo negativno učinkovati na zdravje ljudi v savni.
- Višina kabine savne mora biti najmanj 1,9 m.
- Upoštevajte zahteve glede volumna in zračenja kabine savne v poglavju **10. Tehnični podatki**.
- Pri postavitvi peči za savno upoštevajte minimalne varnostne razmike (glejte poglavje **4.2. Varnostni razmiki**).
- Upoštevajte tudi krajevna določila na postavitvenem mestu.
- Pri problemih, ki v navodilih za montažo niso dovolj izčrpno obdelani, se zaradi svoje lastne varnosti obrnite na svojega dobavitelja.

### 2.3. Varnostni napotki za uporabnika

- Naprave ne smejo uporabljati otroci mlajši od 8 let.
- Napravo smejo uporabljati otroci starejši od 8 let, osebe z zmanjšanimi psihičnimi, senzoričnimi ali mentalnimi sposobnostmi in osebe s pomanjkljivimi izkušnjami in vedenjem le pod naslednjimi pogoji:
  - če so pod nadzorom,
  - če jim je bila predstavljena varna uporaba in razumejo nevarnosti, ki bi lahko nastale.
- Otroci se z napravo ne smejo igrati.
- Otroci mlajši od 14 let smejo napravo čistiti le pod nadzorom.
- Če ste pod vplivom alkohola, zdravil ali drog, se kopeli v savni odpovejte iz zdravstvenih razlogov.
- Peč za savno nikoli ne sme obratovati brez kamenja za savno, ker bi to lahko povzročilo požare.
- Prepričajte se, da na peči za savno ne ležijo nobeni gorljivi predmeti, šele nato lahko vklopite krmiljenje savne.
- PRED prvo kopeljo v savni zagrejte peč za savno za pol ure. V tem času se NE zadržujte v kabini savne. Nato kabino savne dobro prezračite (glejte **5.2. Prvo zagrevanje** na strani **19**).
- Me obratovanjem se nikoli ne dotikajte peči. Površina peči in kamenje za savno so zelo vroči.
- Pri problemih, ki v navodilih za uporabo niso dovolj izčrpno obdelani, se zaradi svoje lastne varnosti obrnite na svojega dobavitelja.

## **3. Opis proizvoda**

### **3.1. Dobavni obseg**

- Peč za savno
- Navodila za montažo in uporabo

### **3.2. Funkcije proizvoda**

Peč za savno Home fin je finska peč za savno in omogoča ustvarjanje za finsko savno značilne klime 80 do 100 °C pri zračni vlagi pribl. 10%.



## 4. Montaža in priključitev

Upoštevajte naslednje točke pri postavitvi in priključitvi peči za savno:



### **OPOZORILO!**

#### ***Nevarnost udara toka***

- Montažo in priključitvena dela na peči za savno opravite le v breznapetostnem stanju.
- 

- Električno priključitev sme opraviti le elektro strokovnjak ali kvalificirana oseba podobne stroke.
- Na mestu samem je potrebno predvideti ločilno napravo za vse pole s popolnim izklopom skladno s prenapetostno kategorijo III.
- Peč za savno home.com4 je stenska peč. Pred zagonom preverite, če peč trdno sedi na montažni letvi.

### 4.1. Postavitveno mesto in položaj tipala

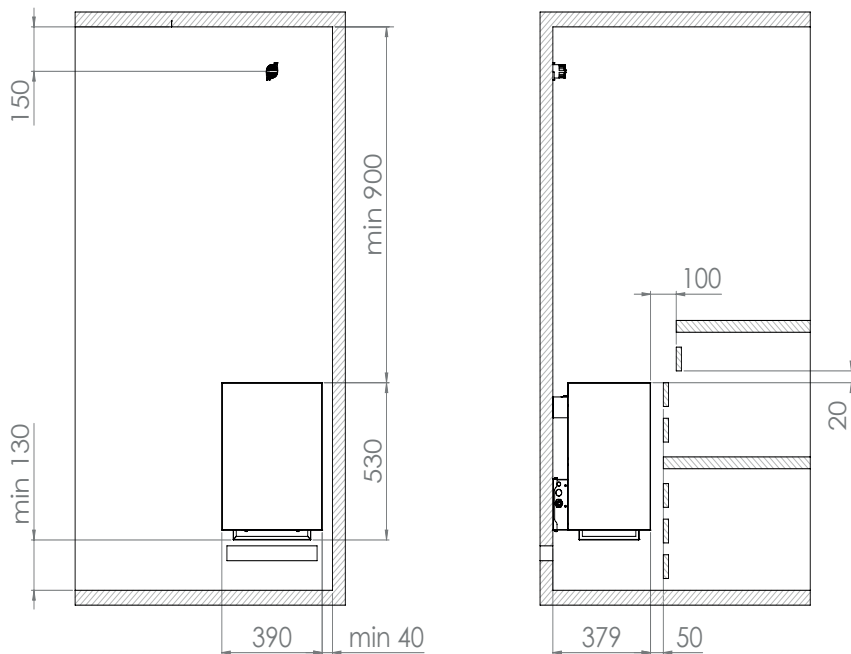
Peč montirajte središčno pred vstopno odprtino za zrak na steni kabine. Pri tem upoštevajte varnostne razmike od stene kabine, ki so navedeni v **SI. 1**.

Tipalo temperature z varovalko pred previsoko temperaturo montirajte na steno kabine nad sredino peči. Razmik od stropa kabine mora biti 15 cm.

## 4.2. Varnostni razmiki

Upoštevajte minimalne varnostne razmike, ki so navedeni v **SI. 1**.

- SI. 1** Varnostni razmiki Home fin 4,5 kW, 6,0 kW, 7,5 kW in 9,0 kW  
(HOME-F45 / HOME-F60 / HOME-F75 / HOME-F90)  
Mere v mm



### 4.3. Montaža na steno kabine

Upoštevajte sl. 1, sl. 2, sl. 3 in sl. 4 (stran 11, 12, 13).

1. Montažno letev [1] pritrдите vodoravno s priloženimi lesnimi vijaki [2] na steno. Pri tem upoštevajte minimalne razmike peči na sl. 1.
2. Peč [3] obesite na montažno letev od zgoraj navzdol. Pri tem pazite, da peč izravnano sedi.
3. Zavarujte peč [3] s priloženim varovalnim vijakom [4] na montažni letvi [1].

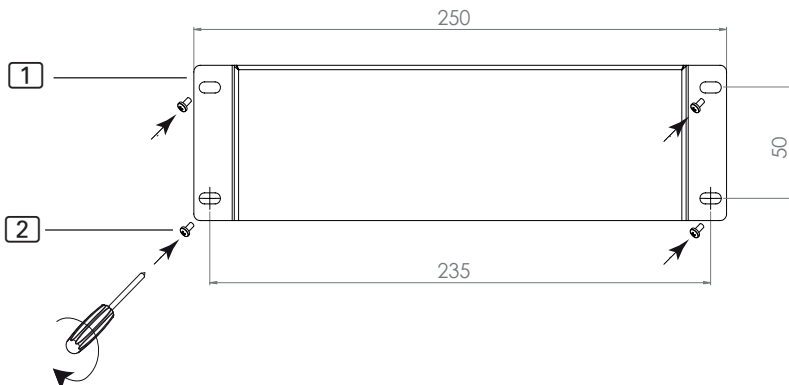


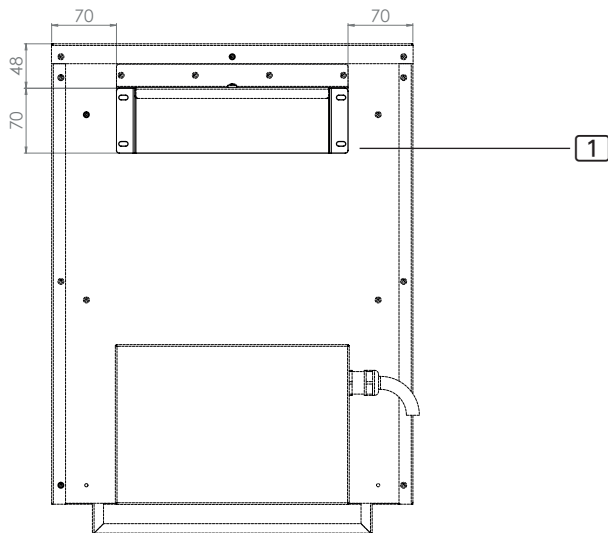
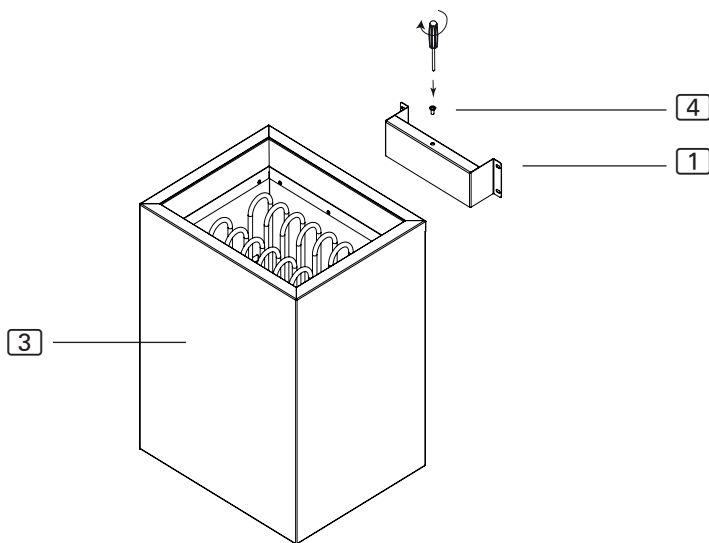
#### OPOZORILO!

##### *Nevarnost požara*

- Da peč pritrđite in da jo zavarujete pred zdrsom, jo pritrđite s priloženim varovalnim vijakom [4].

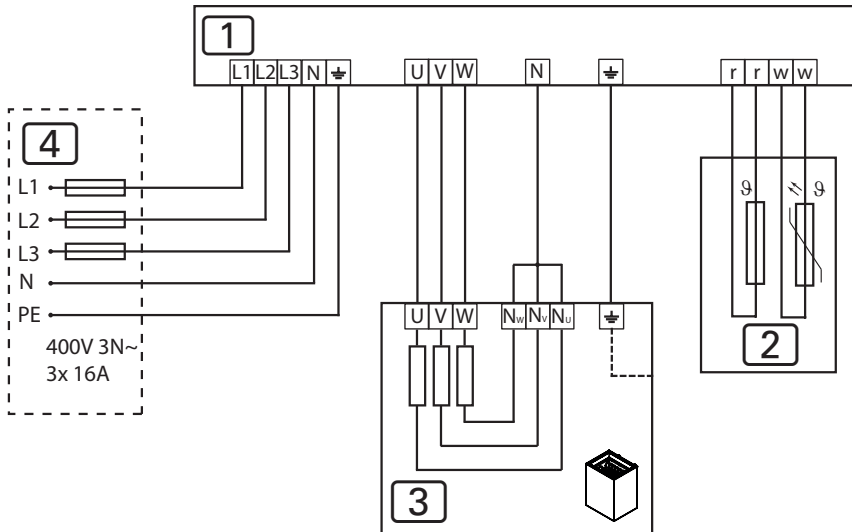
Sl. 2 Montažna letev Home fin  
Mere v mm



**SI. 3** Položaj montažne letve Home fin  
Mere v mm**SI. 4** Varovalka Home fin (montažna letev)

#### 4.4. Priključni načrt za 400V 3N~

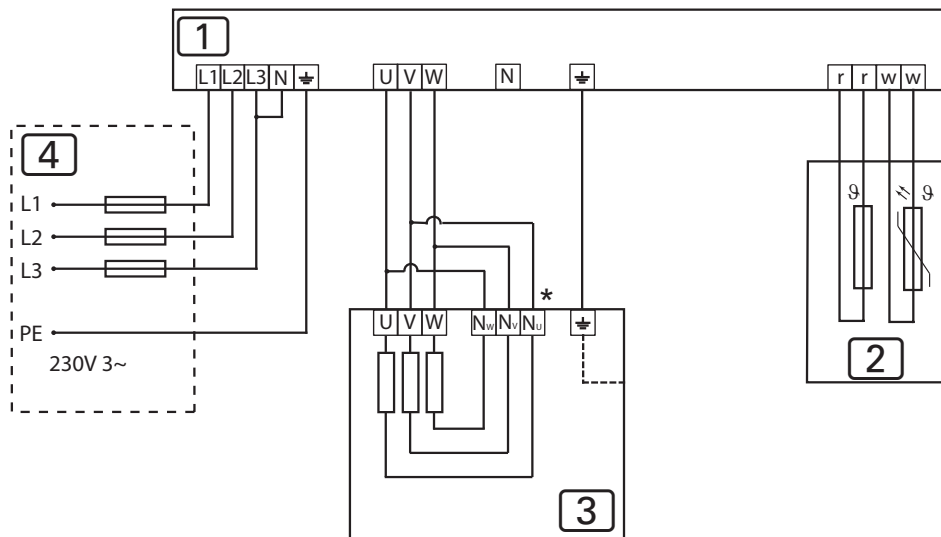
**SI. 5** Priključni načrt 400V 3N~  
Home fin 4,5 kW, 6,0 kW, 7,5 kW in 9,0 kW  
(HOME-F45 / HOME-F60 / HOME-F75 / HOME-F90)



- 1 krmiljenje savne
- 2 tipalo temperature z varovalko pred previsoko temperaturo
- 3 peč za savno
- 4 oskrba s tokom

## 4.5. Priključni načrt za 230V 3~

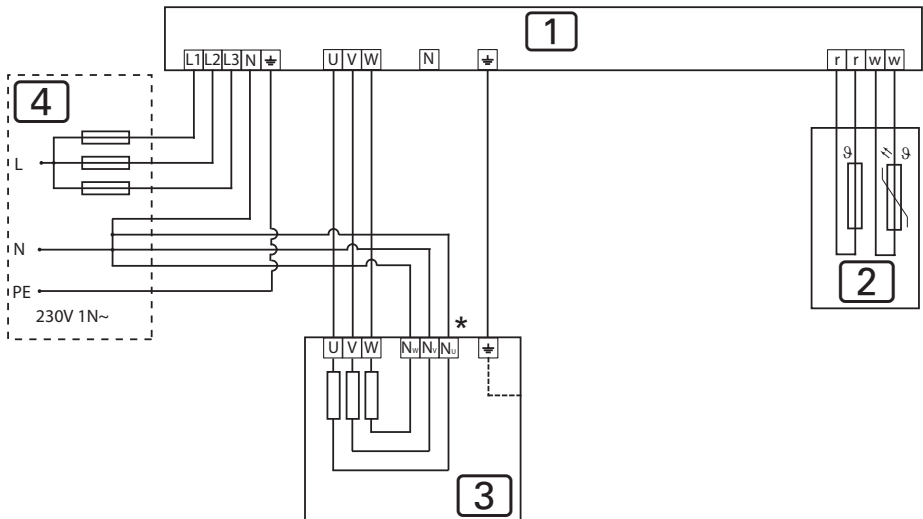
**SI. 6** Anschlussplan 230V 3~  
Home fin 4,5 kW und 6,0 kW  
(HOME-F45 / HOME-F60)



- 1 krmiljenje savne
- 2 tipalo temperature z varovalko pred previsoko temperaturo
- 3 peč za savno
- 4 oskrba s tokom
- \* Odstranite bakreni mostič

## 4.6. Priključni načrt za 230V 1N~

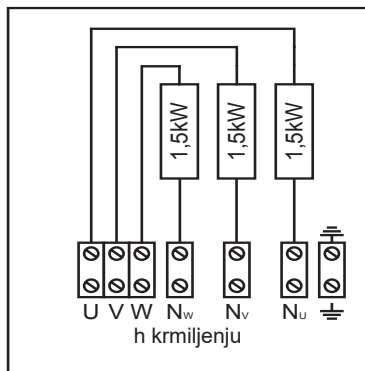
**SI. 7** Anschlussplan 230V 1N~  
Home fin 4,5 kW, 6,0 kW, 7,5 kW und 9,0 kW  
(HOME-F45 / HOME-F60 / HOME-F75 / HOME-F90)



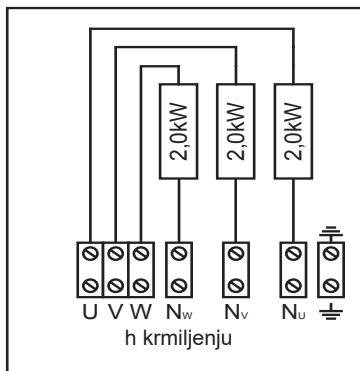
- 1 krmiljenje savne
- 2 tipalo temperature z varovalko pred previsoko temperaturo
- 3 peč za savno
- 4 oskrba s tokom
- \* Odstranite bakreni mostič

## 4.7. Sheme priključitve in ožičenja

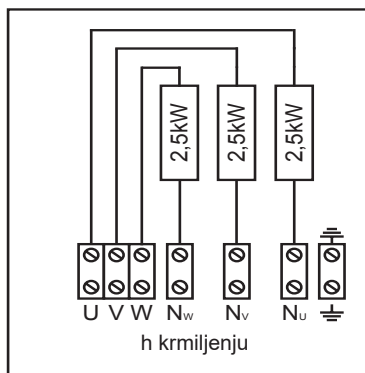
**HC4-FIN-45**  
4,5 kW



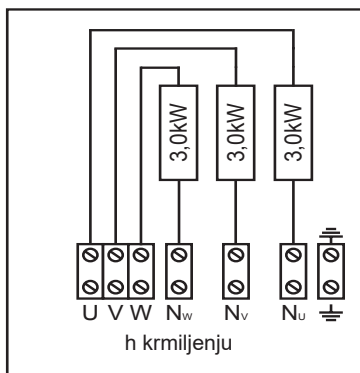
**HC4-FIN-60**  
6,0 kW



**HC4-FIN-75**  
7,5 kW



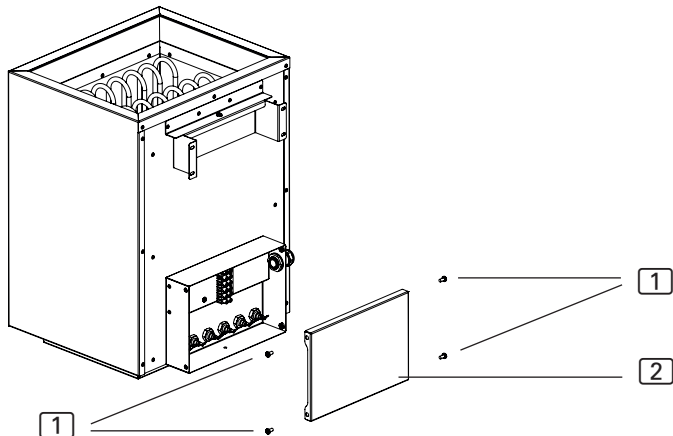
**HC4-FIN-90**  
9,0 kW





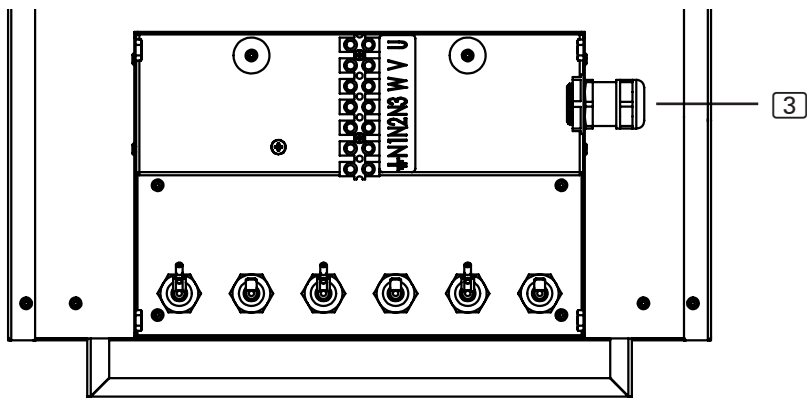
## 4.8. Električna priključitev

1. Z izvijačem popustite vijake [1].
2. Odstranite prekrivno pločevino [2].



### **Priključitev Home fin 4,5 kW, 6,0 kW, 7,5 kW in 9,0 kW** (HOME-F45 / HOME-F60 / HOME-F75 / HOME-F90)

1. Priključni kabel speljite skozi skoznjik [3].
2. Žile priključnega kabla priključite glede na vrsto priključitve na sponke peči za savno in na ustrezne sponke krmilja savne. Pri tem upoštevajte navodila za montažo krmiljenja peči.
3. Na peč za savno ponovno pritrdite prekrivno pločevino [1].



## 5. Zagon

### 5.1. Polnjenje posode za kamenje



#### OPOZORILO!

#### ***Nevarnost požara zaradi pregretja***

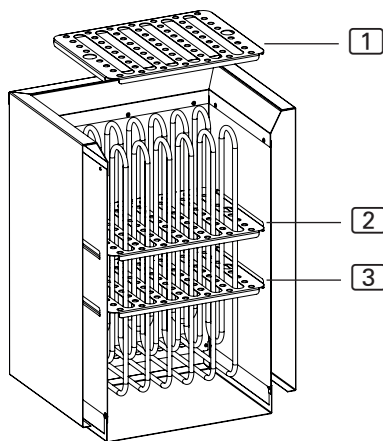
Če uporabite peč za savno brez kamenja, se stene kabine močno segrejejo. To lahko povzroči požare.

- Peči za savno NIKOLI ne zaženite brez kamenja za savno.

Rešetko za kamenje **1** lahko montirate na dveh različnih višinah.

Položaj **2**: manjša količina kamenja, krajši čas zagrevanja, prihranek energije

Položaj **3** (tovarniški): večja količina kamenja, možna je večja količina vode pri polivanju - s tem več pare, daljši čas zagrevanja



Količino kamenja, ki je primerna za vašo peč, najdete v poglavju **10. Tehnični podatki** (glejte stran **24**).

1. Pred uporabo kamenje za savno temeljito operite s ščetko in vodo. Ne uporabljajte dodatkov za čiščenje.
2. Preden peč za savno napolnite s kamenjem preverite, da ti ne vsebujejo tujkov in odstranite ostanke embalaže.
3. Kamenje položite v posodo za kamenje - tudi med ogrevalne palice. Razporedite jih rahlo, tako da lahko zrak med njimi kroži.
4. **Pazite, da se ogrevalne palice med seboj NE dotikajo.**
5. Pazite, da kamenje ne sega čez rob posode.

## 5.2. Prvo zagrevanje



### PREVIDNOST!

#### ***Nastanek dima in vonja ob prvem zagrevanju***

Na novih ogrevalnih palicah so obratovne snovi iz postopka izdelave. Te se razkrojijo ob prvem zagrevanju peči za savno. Pri tem nastane dim in neprijeten vonj. Če te pare ali dim vdihujete, škoduje to vašemu zdravju.

Naslednje korake opravite, ko vašo peč za savno **prvič zaženete** in ko ste **ogrevalne palice vaše peči za savno** zamenjali. Tako preprečite škodovanje zdravju zaradi par in dima, ki nastanejo ob prvem zagrevanju.

1. Na krmilni napravi za savno izberite najvišjo možno temperaturo.
2. Peč za savno zagrejte za pol ure.  
**V tem času se NE zadržujte v kabini savne.**
3. Po prvem zagrevanju kabino savne dobro prezračite.
4. Če pri naslednjem zagrevanju dim in vonj ne nastajata več, lahko začnete s kopeljo v savni.  
Če dim in vonj ponovno nastaneta, takoj zapustite kabino savne in ponovite prvo zagrevanje, kateremu mora slediti zračenje.

## 6. Upravljanje

---



### **OPOZORILO!**

#### ***Nevarnost požara***

Gorljivi predmeti, ki ležijo na vroči peči, se vnamejo in povzročijo požare.

- NIKOLI ne položite gorljivih predmetov na peč.
  - Prepričajte se, da na peči za savno ne ležijo NOBENI gorljivi predmeti, šele nato zaženite peč za savno.
- 

### 6.1. Upravljanje peči za savno

Upravljanje peči za savno poteka prek krmiljenja za savno. Informacije o upravljanju krmiljenja za savno dobite v navodilih za upravljanje naprave, ki jo uporabljate. Upoštevajte, da je peč za savno Concept R mini primerna le za krmiljenje za savno brez funkcije daljinskega zagona in predizbire časa.

### 6.2. Polivanje

Po končanem savnanju lahko opravite poparek. Z zajemalko polijte vodo preko kamenja za savno. Voda izpari in vlažnost v kabini se poveča.

Pri poparku upoštevajte naslednje točke:

- Za polivanje uporabite le vodo iz vodovoda. Morska voda, voda, ki vsebuje veliko kalcija in močno klorirana voda lahko poškodujejo peč za savno.
- Uporabite le dišave in eterična olja, ki so primerni izključno za uporabo kot sredstva za poparke v savnah. Upoštevajte podatke proizvajalca na embalaži sredstva za poparke.
- Vode ne polijte prehitro preko kamenja za savno. Le tako bo voda popolnoma izparela.

## 7. Vzdrževanje

### 7.1. Daljši premori med obratovanji

Ob vlažnih pogojih v okolici ali daljših premorih med obratovanji se v ogrevalnih palicah kopiči vlaga. To je fizikalni pojav in ni napaka proizvajalca. Vlaga v ogrevalnih palicah lahko povzroči sprožitev zaščitnega sikala FI. V tem primeru naj napako odpravi elektro strokovnjak (glejte poglavje **9. Reševanje problemov s strani monterja**).



Peč za savno zagrejte vsakih 5 do 6 tednov za pribl. 15 minut. Tako preprečite, da bi se ob daljših premorih med obratovanji v ogrevalnih palicah kopičila voda.

### 7.2. Čiščenje peči za savno

Pazite na to, da se v prezračevalnih odprtinah ne nabira prah in prašni puhek. Tako preprečite, da bi bila cirkulacija zraka v peči omejena in da bi se naprava pregrela.

### 7.3. Menjava kamenja za savno

Kamenje za savno obremenjujejo sredstva za poparke in velike temperaturne razlike, do katerih pride pri uporabi. Kamenje lahko postane načeto in krhko.

Zato preverite kamenje v rednih časovnih razmikih in ga najmanj enkrat letno zamenjajte.



#### **OPOZORILO!**

#### ***Nevarnost požara zaradi pregretja***

Če uporabite peč za savno brez kamenja, se stene kabine močno segrejejo. To lahko povzroči požare.

- Peči za savno NIKOLI ne zaženite brez kamenja za savno.

1. Staro kamenje za savno odstranite.
2. Posodo za kamenje očistite ostankov kalcija, prahu in drugih nečistoč.
3. Pred uporabo kamenje za savno temeljito operite s ščetko in vodo. Ne uporabljajte dodatkov za čiščenje.
4. Preden peč za savno napolnite s kamenjem preverite, da ti ne vsebujejo tujkov in odstranite ostanke embalaže.
5. Kamenje za savno položite v posodo za kamenje. Razporedite jih rahlo, tako da lahko zrak med njimi kroži.
6. Pazite, da kamenje ne sega čez rob posode.

## 8. Odstranjevanje



- Embalažni material odstranite po veljavnih smernicah za odstranjevanje.
- Izrabljene stare naprave vsebujejo ponovno uporabne materiale, pa tudi škodljive snovi. Zato vaše stare naprave ne odložite med ostale odpadke, temveč jo odstranite po krajevnih veljavnih predpisih.

## 9. Reševanje problemov s strani monterja

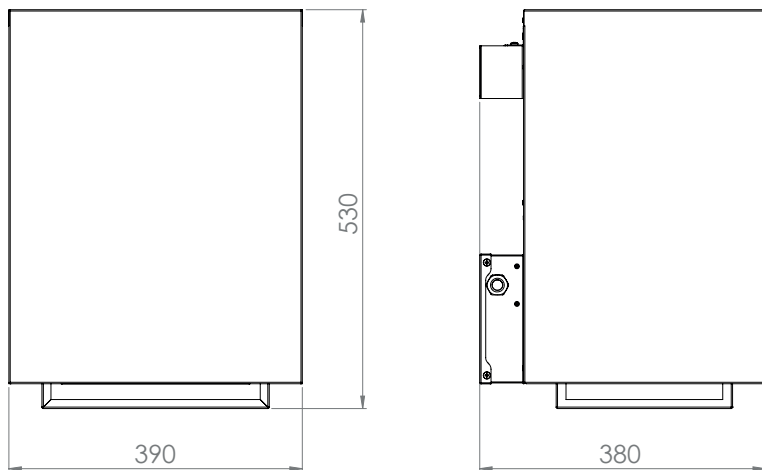
### *Ohlajanje ogrevalnih palic*

Ob vlažnih pogojih v okolici ali daljših premorih med obratovanji se lahko v ogrevalnih palicah kopiči vlaga. To je fizikalni pojav in ni napaka proizvajalca. Vlaga v ogrevalnih palicah lahko povzroči sprožitev zaščitnega stikala FI.

V tem primeru je potrebno, da peč ohladite pod nadzorom elektro strokovnjaka. Pri tem se mora izklopiti zaščitno funkcijo stikala FI. Postopek ohlajanja traja pribl. 10 minut. Nato se mora ponovno vzpostaviti zaščitno funkcijo stikala FI.

Če težave še vedno ne morete odpraviti, se obrnite na vašega dobavitelja.

**SI. 8** Dimenzije Home fin 4,5 kW, 6,0 kW 7,5 kW in 9,0 kW  
(HOME-F45 / HOME-F60 / HOME-F75 / HOME-F90)  
Mere v mm



## 10. Tehnični podatki

Dimenzije najdete na **SI. 8**.

Štev. artikla	Moč [kW]	Volumen kabine [m <sup>3</sup> ]	Minimalna velikost prezračevalna odprtina [mm]	Teža brez kamenja [kg]
HOME-F45	4,5	3–6	350 x 25	15
HOME-F60	6,0	5–9	350 x 30	15
HOME-F75	7,5	7–13	350 x 35	15
HOME-F90	9,0	8–14	350 x 50	15

Štev. artikla	Količina kame- nja [kg]	Varovalka [A]	Oskrba
HOME-F45	ca. 20 / 30	3 x 10	400 V AC 3N~ 50/60 Hz 230 V AC 1N~ 50/60 Hz 230 V AC 3~ 50/60 Hz
HOME-F60	ca. 20 / 30	3 x 10	400 V AC 3N~ 50/60 Hz 230 V AC 1N~ 50/60 Hz 230 V AC 3~ 50/60 Hz
HOME-F75	ca. 20 / 30	3 x 16	400 V AC 3N~ 50/60 Hz 230 V AC 1N~ 50/60 Hz
HOME-F90	ca. 20 / 30	3 x 16	400 V AC 3N~ 50/60 Hz 230 V AC 1N~ 50/60 Hz

Štev. artikla	Ogrevalne palice
HOME-F45	3 x HP-HOME-150 (1-043-617)
HOME-F60	3 x HP-HOME-200 (1-043-618)
HOME-F75	3 x HP-HOME-250 (1-043-619)
HOME-F90	3 x HP-HOME-300 (1-043-620)



# Kiuas

## Home fin

HOME-F45 / 1-039-794: Home fin 4,5 kW

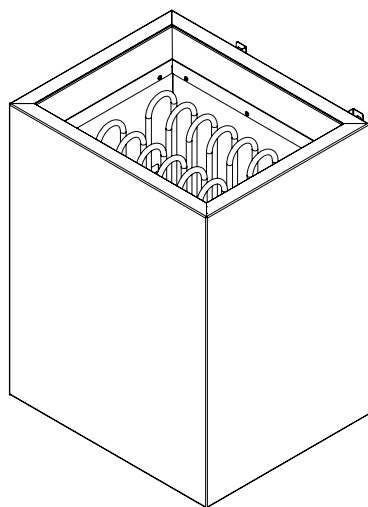
HOME-F60 / 1-039-795: Home fin 6,0 kW

HOME-F75 / 1-039-796: Home fin 7,5 kW

HOME-F90 / 1-039-797: Home fin 9,0 kW

### ASENNUS- JA KÄYTTÖOHJEET

Suomi



FI

# Sisällysluettelo

<b>1. Sananen näistä ohjeista</b>	<b>4</b>
<b>2. TÄRKEITÄ OHJEITA turvallisuutesi varmistamiseksi</b>	<b>5</b>
2.1. Käyttötarkoitus	5
2.2. Turvaohjeita asentajalle	6
2.3. Turvaohjeita käyttäjälle	7
<b>3. Tuotekuvaus</b>	<b>9</b>
3.1. Toimituskokonaisuus	9
3.2. Tuotteen toiminnot	9
<b>4. Asennus ja liitântä</b>	<b>10</b>
4.1. Sijoituspaikka ja anturin sijainti	10
4.2. Suojaetäisyydet	11
4.3. Asennus saunahuoneen seinään	12
4.4. Liitântäkaavio, malli 400V 3N~	14
4.5. Liitântäkaavio, malli 230V 3~	15
4.6. Liitântäkaavio, malli 230V 1N~	16
4.7. Johdotuskaaviot	17
4.8. Sähköliitântä	18
<b>5. Käyttöönotto</b>	<b>19</b>
5.1. Kivitiilan täyttäminen	19
5.2. Ensimmäinen lämmityskerta	20
<b>6. Käyttö</b>	<b>21</b>
6.1. Kiukaan käyttö	21
6.2. Löylyn heittäminen	21

<b>7. Huolto</b>	<b>22</b>
7.1. Pidemmät käyttökätkokset.....	22
7.2. Kiukaan puhdistaminen.....	22
7.3. Kiuaskivien vaihtaminen.....	22
<b>8. Hävittäminen</b>	<b>23</b>
<b>9. Asentajan ongelmanratkaisuja</b>	<b>24</b>
<b>10. Tekniset tiedot</b>	<b>25</b>

# 1. Sananen näistä ohjeista

Lue nämä asennus- ja käyttöohjeet huolellisesti läpi ja säilytä niitä saunan lähellä. Näin voit katsoa turvallisuuttasi sekä käyttöä koskevia tietoja milloin tahansa.



Asennus- ja käyttöohjeet saat myös Internet-sivujemme materiaalinla-  
tausosiosta osoitteesta [www.sentiotec.com/downloads](http://www.sentiotec.com/downloads).

## **Symbolit ja varoitukset**

Näissä asennus- ja käyttöohjeissa annetaan varoitus ennen toimia, jotka muodostavat vaaratekijän. Näitä varoituksia on ehdottomasti noudatettava. Näin vältät esinevahingot ja loukkaantumiset, jotka pahimmassa tapauksessa voivat aiheuttaa jopa kuoleman.

Varoituksissa käytetään huomiosanoja, joiden merkitys on seuraava:



### **VAARA!**

Jos et noudata tätä varoitusta, seurauksena on kuolema tai vakava loukkaantuminen.



### **VAROITUS!**

Jos et noudata tätä varoitusta, seurauksena voi olla kuolema tai vakava loukkaantuminen.



### **VARO!**

Jos et noudata tätä varoitusta, seurauksena voi olla lievä loukkaantuminen.

## **HUOMIO!**

Tällä huomiosanalla varoitetaan esinevahingoista.

## **Muut symbolit**



Tällä symbolilla merkitään vinkit ja hyödylliset ohjeet.



Ei saa peittää!



Lue käyttöohjeet

## 2. TÄRKEITÄ OHJEITA turvallisuutesi varmistamiseksi

Home fin -kiuas on valmistettu hyväksytyjen turvallisuusteknisten sääntöjen mukaan. Käytön yhteydessä voi silti ilmetä vaaroja. Noudata siksi seuraavia turvaohjeita ja yksittäisissä luvuissa annettuja erityisiä varoituksia.

### 2.1. Käyttötarkoitus

Home fin -kiuasta saa käyttää saunahuoneiden lämmittämiseen ainoastaan ohjauskeskuksella, jossa ei ole etäkäynnistystoimintoa.

Ainoastaan yhdessä valinnaisesti saatavilla olevan turvakatkaisimen kanssa voi Home fin -kiuasta käyttää myös ohjauskeskuksella, jossa on etäkäynnistystoiminto.

Ainoastaan yhdessä valinnaisesti saatavilla olevan turvakatkaisimen kanssa voi Home fin -kiuasta käyttää myös yleisissä saunoissa.

Muunlaisen käytön katsotaan poikkeavan tuotteen käyttötarkoituksesta. Tuotteen käyttötarkoituksesta poikkeava käyttö voi johtaa tuotteen vaurioitumiseen, vakaviin vammoihin tai kuolemaan.

## 2.2. Turvaohjeita asentajalle

- Kiukaan parissa tehtävät asennus- ja liitännätöitä saa suorittaa vain silloin, kun kiuas ei ole kytkettynä virtalähteeseen.
- Vain sähköalan ammattilainen tai vastaavan pätevyyden omaava henkilö saa suorittaa asennuksen.
- Asiakkaan on järjestettävä ylijännitekategorian III mukainen kaikkinaapainen erotuslaite, joka takaa täyden katkaisun.
- Käytä kiukaan liittämiseen ainoastaan 150 °C kestäviä silikoni-johtoja.
- Asenna saunahuoneeseen ainoastaan yksi kiuas. Home fin -kiuasta ei saa käyttää samassa saunahuoneessa muiden kiuaskaiden kanssa.
- Saunahuoneen katto ja seinät on valmistettava pihkaamattomasta, käsittelemättömästä tai lämpökäsitellystä puusta, esim. kuusesta, hemlockista, männystä tai pihdasta tai kertopuumateriaaleista. Kertopuumateriaaleja käytettäessä on varmistettava, että niiden liimoista ei irtoa formaldehydiä. Jos saunahuoneessa käytetään muita materiaaleja kuin puuta, näiden materiaalien pitää kestää kuumuutta ja korroosiota, eikä niillä saa olla kielteistä vaikutusta saunojien terveyteen.
- Saunahuoneen korkeuden on oltava vähintään 1,9 metriä.
- Huomaa saunahuoneen tilavuutta ja tuuletusta koskevat ohjeet kappaleessa **10. Tekniset tiedot**.
- Kiuasta sijoitettaessa on otettava huomioon vähimmäissuojajärjestäisyydet (katso kappale **4.2. Suojaetäisyydet**).
- Noudata myös sijoituspaikan paikallisia määräyksiä.
- Käänny oman turvallisuutesi vuoksi toimittajasi puoleen sellaisissa ongelmissa, joita ei käsitellä asennusohjeessa kyllin tarkasti.

## 2.3. Turvaohjeita käyttäjälle

- Alle 8-vuotiaat lapset eivät saa käyttää laitetta.
- Yli 8-vuotiaat lapset, fyysisiltä, sensorisilta tai henkisiltä kyvyiltään rajoittuneet henkilöt sekä henkilöt, joiden kokemus ja tiedot ovat puutteellisia, saavat käyttää laitetta seuraavin ehdoin:
  - jos he ovat valvonnan alaisia.
  - jos heille on näytetty turvallinen käyttö ja he ymmärtävät vaarat, joita voi syntyä.
- Lapset eivät saa leikkiä laitteella.
- Alle 14-vuotiaat lapset saavat puhdistaa laitteen vain valvonnan alaisina.
- Jätä saunominen terveydellisistä syistä väliin, jos olet alkoholin, lääkkeiden tai huumeiden vaikutuksen alaisena.
- Kiuasta ei saa koskaan käyttää ilman saunakiviä, muutoin voi syttyä tulipalo.
- Ennen kuin kytket kiukaan päälle, varmista, että kiukaalla ei ole tulenarkoja esineitä.
- Lämmitä kiuasta puoli tuntia ENNEN ensimmäistä saunomista. ÄLÄ oleskele tänä aikana saunahuoneessa. Tuuleta saunahuone lopuksi hyvin (katso **5.2. Ensimmäinen lämmityskerta** sivulla **19**).
- Älä koske kiukaaseen käytön aikana. Kiukaan pinta ja kivet kuumenevat hyvin voimakkaasti.
- Käännä oman turvallisuutesi vuoksi toimittajasi puoleen sellaisissa ongelmissa, joita ei käsitellä käyttöohjeessa kyllin tarkasti.

## **3. Tuotekuvaus**

### **3.1. Toimituskokonaisuus**

- Kiuas
- Asennus- ja käyttöohjeet

### **3.2. Tuotteen toiminnot**

Sauna fin -kiuas on suomalainen kiuas ja se mahdollistaa suomalaisille saunoille tyypillisen 80...100 °C:een saunomislämpötilan ilmankosteuden ollessa noin 10 %.



## 4. Asennus ja liitäntä

Huomaa seuraavat kohdat, kun asennat ja liität kiuasta:



### **VAROITUS!**

#### **Sähköiskuvaara**

- Suorita kiukaan asennus- ja liitäntätöet ainoastaan sen ollessa jännitteetön.
- 

- Vain sähköalan ammattilainen tai vastaavan pätevyuden omaava henkilö saa suorittaa sähköliitännät.
- Asiakkaan on järjestettävä ylijännitekategorian III mukainen kaikkinaipainen erotuslaite, joka takaa täyden katkaisun.
- Home fin -kiuas on seinäkiinnitteinen. Varmista ennen käyttöönottoa, että kiuas on asennettu tukevasti asennuslistaan.

### 4.1. Sijoituspaikka ja anturin sijainti

Asenna kiuas keskelle saunahuoneen seinän ilmanottoaukkoja. Noudata tällöin seinään pidettäviä suojaetäisyyksiä, ks. **Kuva 1**.

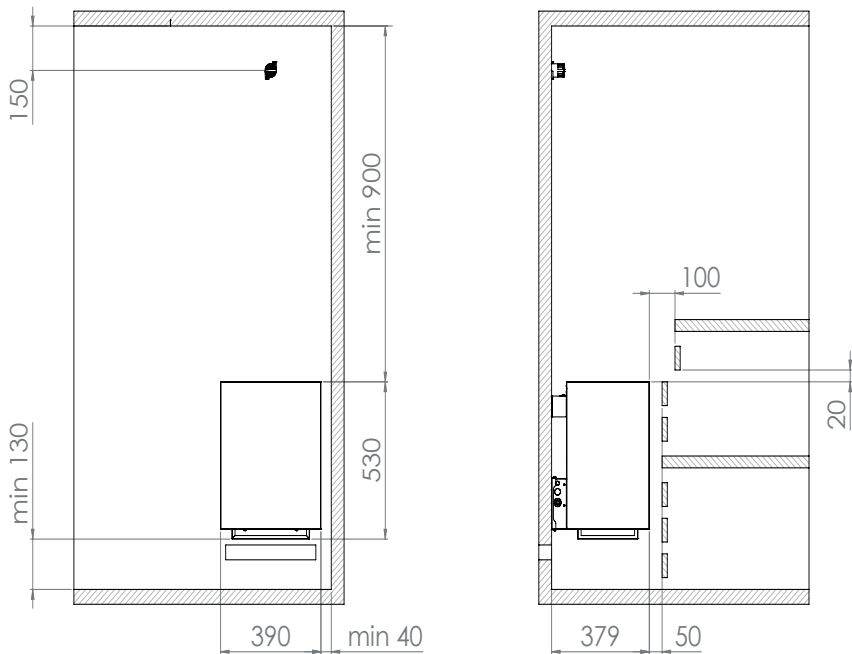
Asenna ylikuumentemissuojalla varustettu lämpötila-anturi saunahuoneen seinään, suoraan kiukaan yläpuolelle. Etäisyyttä saunahuoneen kattoon on oltava 15 cm.

## 4.2. Suojaetäisyydet

Ota vähimmäissuojaetäisyydet huomioon, ks. **Kuva 1**.

### **Kuva 1** Suojaetäisyydet

Home fin 4,5 kW, 6,0 kW, 7,5 kW ja 9,0 kW  
(HOME-F45 / HOME-F60 / HOME-F75 / HOME-F90)  
Mittayksikkö mm



### 4.3. Asennus saunahuoneen seinään

Huomaa **kuva 1**, **kuva 2**, **kuva 3** ja **kuva 4** (sivut **11**, **12**, **13**).

1. Kiinnitä asennuslista **1** seinään vaakasuoraan oheisilla puuruuveilla **2**. Huomaa tällöin kiukaan suojaetäisyydet kuvassa 1.
2. Aseta kiuas **3** asennuslistaan ylhäältä alaspäin. Varmista, että kiuas on samassa tasossa asennuslistan kanssa.
3. Kiinnitä kiuas **3** oheisella varmistusruuvilla **4** asennuslistaan **1**.

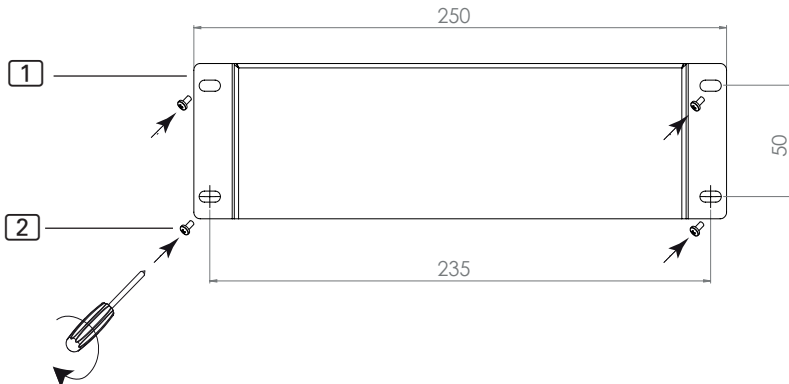


#### **VAROITUS!**

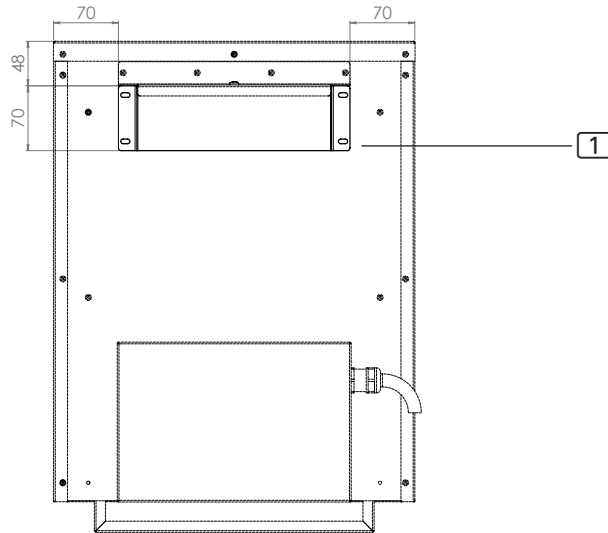
#### **Palovaara**

- Kiinnitä ja varmista kiuas oheisella varmistusruuvilla **4** niin, ettei se pääse liikahtamaan asennostaan.

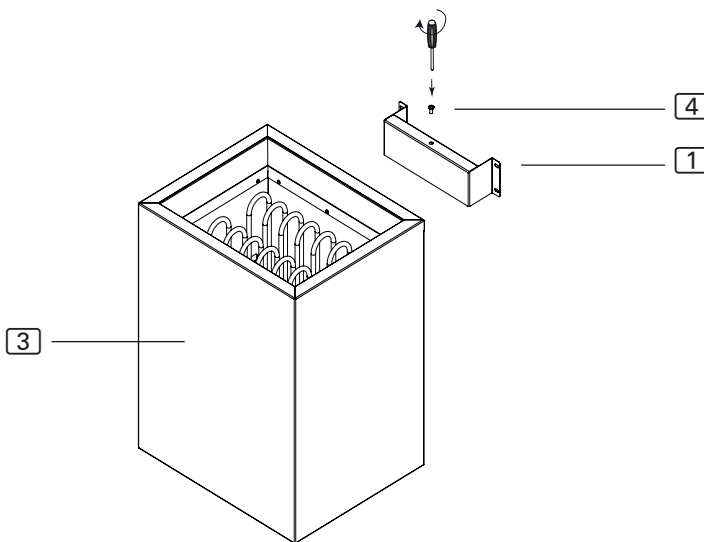
**Kuva 2** Home fin -asennuslista  
Mittayksikkö mm



**Kuva 3** Home fin -asennuslistan paikka  
Mittayksikkö mm



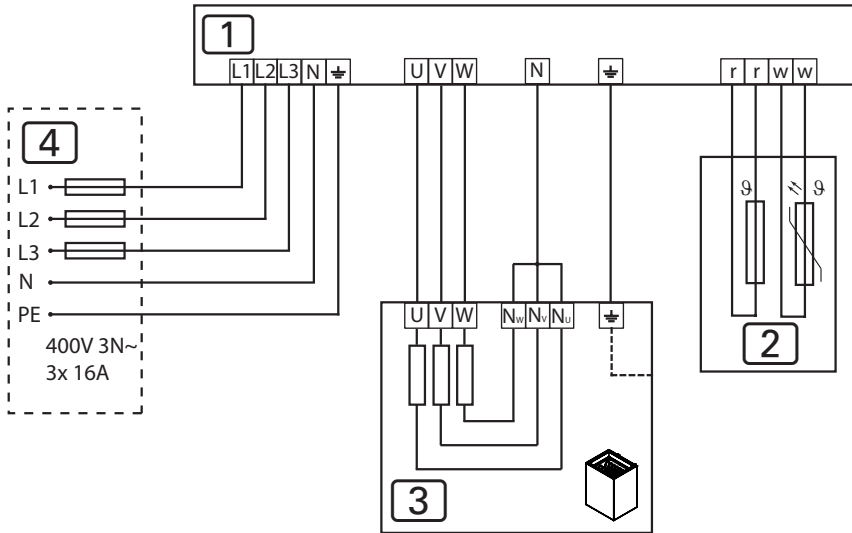
**Kuva 4** Home fin -sulake (asennuslista)



#### 4.4. Liitântäkaavio, malli 400V 3N~

##### Kuva 5 Liitântäkaavio 400V 3N~

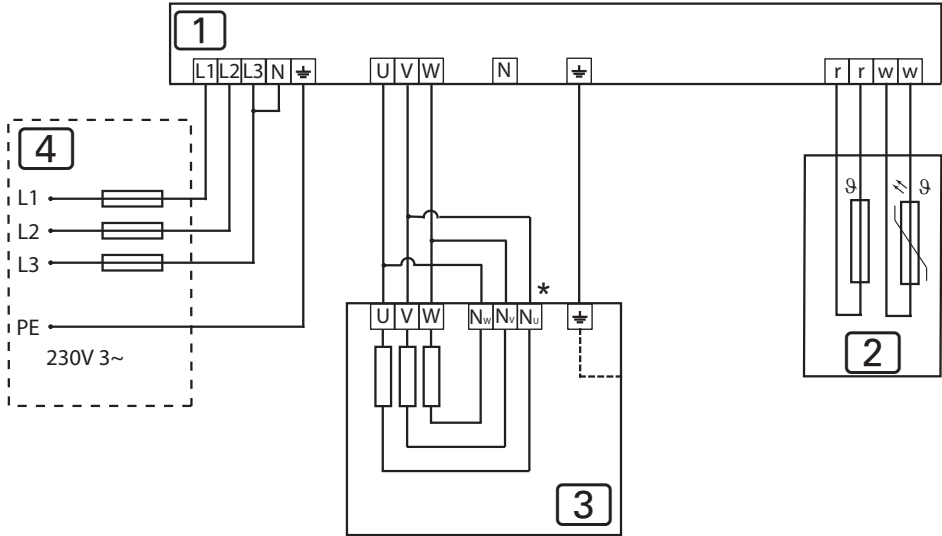
Home fin 4,5 kW, 6,0 kW, 7,5 kW ja 9,0 kW  
(HOME-F45 / HOME-F60 / HOME-F75 / HOME-F90)



- 1 ohjauskeskus
- 2 ylikuumentussuojalla varustettu lämpötila-anturi
- 3 kiuas
- 4 sähkönsyöttö

## 4.5. Liitântäkaavio, malli 230V 3~

**Kuva 6** Anschlussplan 230V 3~  
Home fin 4,5 kW und 6,0 kW  
(HOME-F45 / HOME-F60)



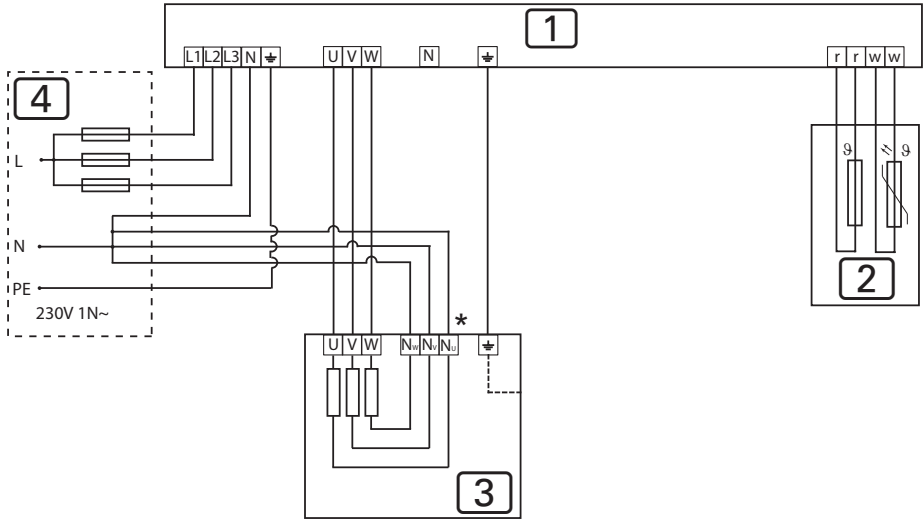
- 1 ohjauskeskus
  - 2 ylikuumentussuojalla varustettu lämpötila-anturi
  - 3 kiuas
  - 4 sähkösyöttö
- \* Kuparisilloituksen poistaminen

## 4.6. Liitântäkaavio, malli 230V 1N~

### Kuva 7 Anschlussplan 230V 1N~

Home fin 4,5 kW, 6,0 kW, 7,5 kW und 9,0 kW

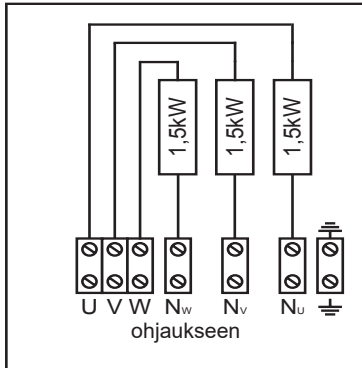
(HOME-F45 / HOME-F60 / HOME-F75 / HOME-F90)



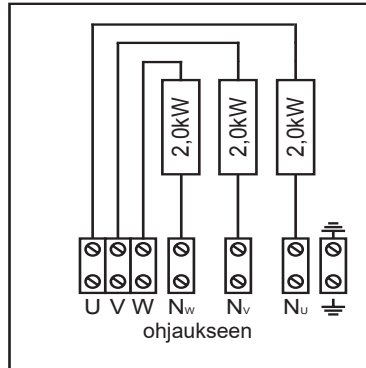
- 1 ohjauskeskus
  - 2 ylikuumentemissuojalla varustettu lämpötila-anturi
  - 3 kiuas
  - 4 sähkönsyöttö
- \* Kuparisilloituksen poistaminen

## 4.7. Johdotuskaaviot

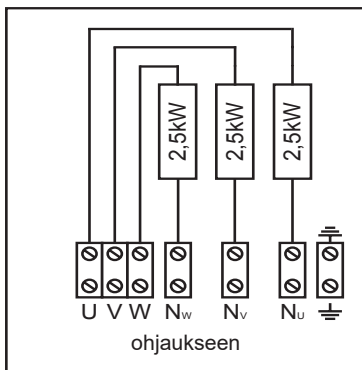
**HOME-F45**  
4,5 kW



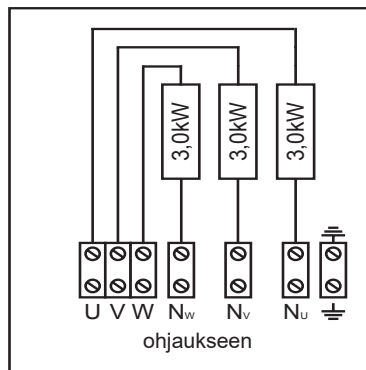
**HOME-F60**  
6,0 kW



**HOME-F75**  
7,5 kW



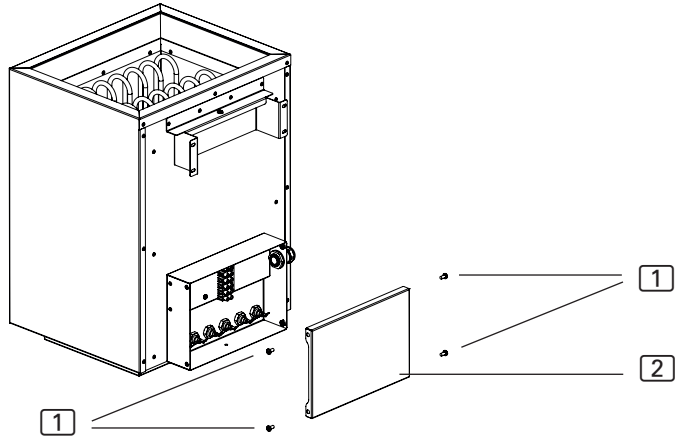
**HOME-F90**  
9,0 kW





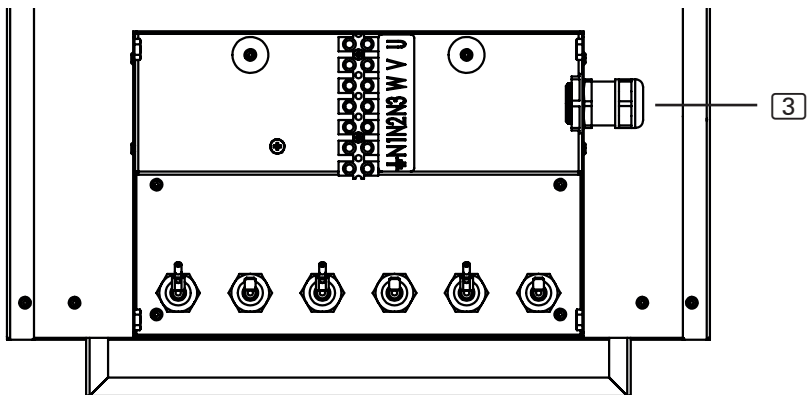
## 4.8. Sähköliitäntä

1. Avaa ruuvit **1** ruuvimeisselillä.
2. Irrota katepelti **2**.



### **Liitäntä Home fin 4,5 kW, 6,0 kW, 7,5 kW ja 9,0 kW** (HOME-F45 / HOME-F60 / HOME-F75 / HOME-F90)

1. Vedä liitäntäjohto läpiviennin **3** kautta.
2. Liitä liitäntäjohdon johtimet liitännätavasta riippuen kiukaan liittimiin sekä sopiviin ohjauskeskuksen liittimiin. Noudata tällöin ohjauskeskuksen asennusohjetta.
3. Kiinnitä katepelti **1** uudelleen kiukaaseen.



## 5. Käyttöönotto

### 5.1. Kivitiilan täyttäminen



#### **VAROITUS!**

#### ***Ylikuumentuminen aiheuttaa palovaaran***

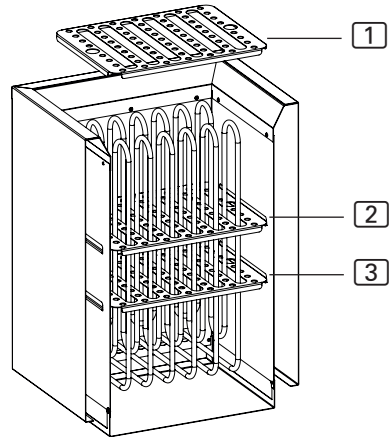
Jos kiuasta käytetään ilman kiviä, saunahuoneen seinät kuumenevat voimakkaasti. Se voi aiheuttaa tulipalon.

- Kiuasta EI KOSKAAN saa käyttää ilman kiuaskiviä.

Kiviritilän **1** voi asentaa kahteen eri korkeuteen.

Paikka **2**: vähäinen kivimäärä, lyhyet lämmitysajat, energiansäästö

Paikka **3** (tehtaalla valittu paikka): suuremmat kivimäärät, suurempi löylyvesimäärä mahdollista - siten enemmän höyryä, pidemmät lämmitysajat



Kiukaasi tarvittavan kivimäärän näet kappaleesta **10. Tekniset tiedot** (katso sivu **24**).

1. Pese kiuaskivet ennen käyttöä huolellisesti harjalla ja vedellä. Älä käytä puhdistuslisäaineita.
2. Ennen kuin ladot kivet kiukaaseen, tarkista, että kivien joukossa ei ole vieraita esineitä ja poista kaikki pakkausjäänteet.
3. Aseta kiuaskivet kivitiilaan – myös lämmitysvastusten väleihin. Lado kiuaskivet väljästi, jotta ilma pääsee kiertämään vapaasti.
- 4. Varmista, ETTEIVÄT lämmitysvastukset koske toisiaan.**
5. Varmista, etteivät kiuaskivet tule kivitiilan reunan yli.

## 5.2. Ensimmäinen lämmityskerta

---

**VARO!*****Ensilämmityksen aikana syntyy savua ja hajua***

Uusissa lämmitysvastuksissa on valmistusprosessista jääneitä käyttöaineita. Nämä tuhoutuvat ensimmäisellä lämmityskerralla. Samalla syntyy savua ja epämiellyttävää hajua. Näiden höyryjen tai savun hengittäminen on terveydelle haitallista.

---

Kun otat kiukaan **käyttöön ensimmäistä kertaa** ja kun **kiukaan lämmitysvastukset on vaihdettu**, tee seuraavat työvaiheet. Näin estät ensimmäisen lämmityskerran yhteydessä syntyvien höyryn ja savun aiheuttamat terveyshaitat.

1. Valitse ohjauskeskuksesta mahdollisimman korkea lämpötila.
2. Lämmitä kiuasta puoli tuntia.

**ÄLÄ OLESKELE tänä aikana saunahuoneessa.**

3. Tuuleta saunahuone hyvin ensilämmityksen jälkeen.
4. Jos seuraavan lämmittämisen aikana ei muodostu enää savua tai hajua, voit aloittaa saunomisen.

Jos savua tai hajua syntyy, poistu saunahuoneesta välittömästi ja toista ensimmäinen lämmittäminen ja tuuletus.

## 6. Käyttö

---



### **VAROITUS!**

#### ***Palovaara***

Kuumalla kiukaalla olevat tulenarat esineet syttyvät ja aiheuttavat tulipalon.

- ÄLÄ KOSKAAN laske tulenarkoja esineitä kiukaalle.
  - Varmista, että kiukaalla EI ole tulenarkoja esineitä, kun otat kiukaan käyttöön.
- 

### 6.1. Kiukaan käyttö

Kiuasta käytetään ohjauskeskuksella. Tietoa ohjauskeskuksen käytöstä saat käytettävän laitteen käyttöohjeesta. Huomaa, että hom.com4-kiuas soveltuu ainoastaan ohjauskeskuksille, joissa ei ole etäkäynnistystoimintoa.

### 6.2. Löylyn heittäminen

Saunomisen loppupuolella voit heittää löylyä. Kaada vettä kauhalla kiuaskivien päälle. Vesi höyrystyy, ja ilmankosteus saunahuoneessa kohoaa.

Huomaa löylynheitossa seuraavat kohdat:

- Käytä ainoastaan vesijohtovettä. Merivesi, hyvin kalkkipitoinen ja kloorattu vesi voivat vaurioittaa kiuasta.
- Käytä ainoastaan sellaisia tuoksujä ja eteerisiä öljyjä, jotka ovat nimenomaan tarkoitettu saunan löylyveteen. Huomaa löylyaineiden valmistajien ohjeet pakkauksissa.
- Älä kaada vettä kiville liian nopeasti. Muutoin vesi ei höyrysty kokonaan.

## 7. Huolto

### 7.1. Pidemmät käyttökatkokset

Kosteissa ympäristöolosuhteissa tai käyttökatkosten kestäessä pitkään lämmitysvastuksiin kertyy kosteutta. Tämä on fysikaalinen ilmiö, eikä siis valmistajan virhe. Lämmitysvastusten kosteus voi aiheuttaa FI-suojakytkimen laukeamisen. Jos näin tapahtuu, ota yhteyttä sähköalan ammattilaiseen vian korjaamiseksi (katso kappale **9. Asentajan ongelmanratkaisuja**).



Lämmitä kiuasta 5-6 viikon välein noin 15 minuutin ajan. Näin estät veden kertymisen lämmitysvastuksiin pidempien käyttökatkosten aikana.

### 7.2. Kiukaan puhdistaminen

Varmista, että tuuletusaukoissa ei ole nukkaa ja pölyä. Näin estät kiukaan ilman kierron rajoittumisen ja laitteen ylikuumentumisen.

### 7.3. Kiuaskivien vaihtaminen

Löylyvesi ja suuret lämpötilavaihtelut kuormittavat kiuaskiviä. Kiuaskivet voivat kulua ja murentua.

Tarkasta kiuaskivet säännöllisesti ja vaihda ne vähintään kerran vuodessa.



#### **VAROITUS!**

#### ***Ylikuumentuminen aiheuttaa palovaaran***

Jos kiuasta käytetään ilman kiviä, saunahuoneen seinät kuumenevat voimakkaasti. Se voi aiheuttaa tulipalon.

- Kiuasta EI KOSKAAN saa käyttää ilman kiuaskiviä.

1. Poista vanhat kiuaskivet.
2. Puhdista kivitila kalkista, pölystä ja muusta liasta.
3. Pese kiuaskivet ennen käyttöä huolellisesti harjalla ja vedellä. Älä käytä puhdistuslisäaineita.
4. Ennen kuin ladot kivet kiukaaseen, tarkista, että kivien joukossa ei ole vieraita esineitä ja poista kaikki pakkausjäänteet.
5. Lado kiuaskivet kivitilaan. Lado kiuaskivet väljästi, jotta ilma pääsee kiertämään vapaasti.
6. Varmista, etteivät kiuaskivet tule kivitilan reunan yli.

## 8. Hävittäminen



- Hävitä pakkausmateriaali voimassaolevien määräysten mukaisesti.
- Laiteromussa on kierrätettäviä materiaaleja, mutta myös haitallisia aineita. Älä siis missään tapauksessa hävitä laiteromua sekajätteen mukana, vaan hävitä laite paikallisten voimassa olevien määräysten mukaisesti.

## 9. Asentajan ongelmanratkaisuja

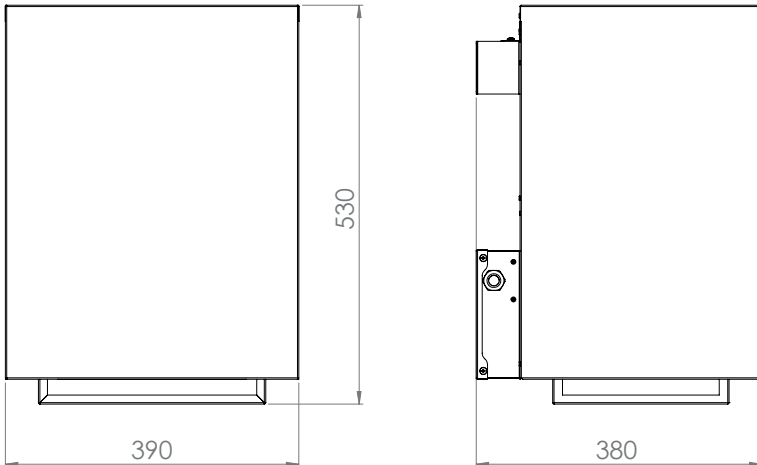
### Lämmitysvastusten lämmittäminen

Kosteissa ympäristöolosuhteissa tai käyttökatkosten kestäessä pitkään lämmitysvastuksiin voi kertyä kosteutta. Tämä on fysikaalinen ilmiö, eikä siis valmistajan virhe. Lämmitysvastusten kosteus voi joissain tilanteissa aiheuttaa FI-suojakytkimen laukeamisen.

Jos näin tapahtuu, kiuasta täytyy lämmittää sähköalan ammattilaisen valvonnassa. FI-suojakytkimen suojaus toiminto on tällöin kytkettävä pois päältä. Lämmitys kestää noin 10 minuuttia. Sen jälkeen FI-kytkimen suojaus toiminto on kytkettävä jälleen päälle.

Jos ongelma jatkuu, käänny laitteen toimittajan puoleen.

**Kuva 8** Mitat Home fin 4,5 kW, 6,0 kW 7,5 kW ja 9,0 kW  
(HOME-F45 / HOME-F60 / HOME-F75 / HOME-F90)  
Mittayksikkö mm



## 10. Tekniset tiedot

Mitat, ks. Kuva 8.

Tuote- numero	Teho [kW]	Sauna- huoneen tilavuus [m <sup>3</sup> ]	Tuuletusaukon vähimmäiskoko [mm]	Paino ilman kiviä [kg]
HOME-F45	4,5	3 - 6	350 x 25	15
HOME-F60	6,0	5 - 9	350 x 30	15
HOME-F75	7,5	7 - 13	350 x 35	15
HOME-F90	9,0	8 - 14	350 x 50	15

Tuote- numero	Kivimäärä [kg]	Varmistin [A]	Syöttö
HOME-F45	noin 20 / 30	3 x 10	400 V AC 3N~ 50/60 Hz 230 V AC 1N~ 50/60 Hz 230 V AC 3~ 50/60 Hz
HOME-F60	noin 20 / 30	3 x 10	400 V AC 3N~ 50/60 Hz 230 V AC 1N~ 50/60 Hz 230 V AC 3~ 50/60 Hz
HOME-F75	noin 20 / 30	3 x 16	400 V AC 3N~ 50/60 Hz 230 V AC 1N~ 50/60 Hz
HOME-F90	noin 20 / 30	3 x 16	400 V AC 3N~ 50/60 Hz 230 V AC 1N~ 50/60 Hz

Tuote- numero	Lämmitysvastukset
HOME-F45	3 x HP-HOME-150 (1-043-617)
HOME-F60	3 x HP-HOME-200 (1-043-618)
HOME-F75	3 x HP-HOME-250 (1-043-619)
HOME-F90	3 x HP-HOME-300 (1-043-620)









# sentiotec

DIVISION OF HARVIA GROUP

## CENTRAL EUROPE

sentiotec GmbH | Division of Harvia Group |

Wartenburger Straße 31,  
A-4840 Vöcklabruck

T +43 (0) 7672/22 900-50 | F -80 |

info@sentiotec.com | www.sentiotec.com

## GLOBAL

**HARVIA**

P.O. Box 12, Teollisuustie 1-7,  
40951 Muurame, FINLAND

T +358 207 464 000

harvia@harvia.fi | www.harvia.fi

## RUSSIA

**Адрес уполномоченного лица:**

ООО «Харвия Рус»  
196006, Россия. Санкт-Петербург г,  
пр-кт Лиговский, д. 266, стр. 1, помещ.  
2.1-Н.50 | ОГРН 1157847200818

T +78123258294 | spb@accountor.ru

