



User, Installations and Maintenance Manual



Domestic Hot Water Heat Pump Monobloc type



EKHHE200CV37
EKHHE200PCV37
EKHHE260CV37
EKHHE260PCV37

User, Installations and Maintenance Manual
Domestic Hot Water Heat Pump - Monobloc type

English

Benutzer-, Installations und Wartungshandbuch
Brauchwasser-Wärmepumpe - Monobloc-Typ

Deutsch

Manuel d'utilisation, d'installations et de maintenance
Pompe à chaleur d'eau chaude sanitaire - Type monobloc

Français

Installatie-, gebruikers- en onderhoudshandleiding
Warmtepomp voor Warm Water voor Huishoudelijk
Gebruik - Type Monobloc

Nederlands

Manual de usuario, instalación y mantenimiento
Bomba de calor de agua caliente sanitaria - Tipo Monobloc

Español

Manuale dell'utente, di installazione e di manutenzione
Pompa di calore per acqua calda sanitaria - Tipo monoblocco

Italiano

Manual de utilizador, instalação e manutenção
Bomba de calor da água quente sanitária - Tipo monobloco

Portugues

Användar-, installations och underhållshandbok
Värmepump för hushållsvarmvatten - Monobloc-typ

Svenska

Instrukcja obsługi, montażu i konserwacji
Pompa ciepła do ciepłej wody użytkowej - typu monoblok

Polski

Εγχειρίδιο χρήστη, εγκατάστασης και συντήρησης
Αντλία θερμότητας ζεστού νερού χρήσης - Τύπος monobloc

Ελληνικά

1. GENERAL SAFETY PRECAUTIONS	3
2. INTRODUCTION	7
2.1 Products	7
2.2 Disclaimer	7
2.3 Language	7
2.4 Copyright	8
2.5 Available versions and configurations	8
3. HANDLING AND TRANSPORT	8
3.1 Receipt	8
4. CONSTRUCTION CHARACTERISTICS	10
4.1 Dimensional data	11
4.2 Technical characteristics	12
5. IMPORTANT INFORMATION	13
5.1 Compliance with European regulations	13
5.2 Casing protection rating	13
5.3 Operating limits	13
5.4 Operating limits	13
5.5 Basic safety rules	14
5.6 Information on the refrigerant used	14
6. INSTALLATION AND CONNECTIONS	14
6.1 Preparation of place of installation	14
6.2 Securing to the floor	15
6.3 Aeraulic connections	15
6.4 Securing and connections of this appliance	17
6.5 Hydraulic connections	17
6.6 Integration with solar thermal system (<i>only for models</i> EKHHE200PCV37, EKHHE260PCV37)	18
6.7 Electrical connections	19
6.8 Wiring diagram	21
7. DESCRIPTION OF USER INTERFACE AND OPERATION OF EQUIPMENT	22
7.1 Turning the water heater on and off and unlocking the buttons	23
7.2 Setting the clock	23
7.3 Setting time bands	23
7.4 Setting the hot water set-point	23
7.5 Operating mode	24
7.6 Additional features	24
7.7 Faults/protection	26
8. COMMISSIONING	27
8.1 Query, editing operating parameters	27
9. TROUBLESHOOTING	31
9.1 Power board fuse replacement	32
9.2 Heating element safety thermostat reset	32
10. MAINTENANCE	33
10.1 Sacrificial anode check/replacement	33
10.2 Boiler emptying	33
11. DISPOSAL	34
12. PRODUCT SHEET	34

1. GENERAL SAFETY PRECAUTIONS

CAUTION:

- This manual is an integral part of the product. Keep it with care with the appliance, and hand it on to the next user/owner in case of change of property.
- These instructions are also available from the manufacturer's customer service and its website: www.daikin.eu
- Read the instructions and warnings in this manual carefully, they contain important information regarding safe installation, use and maintenance.

SAFETY WARNINGS

Do not use the appliance for any other than its specified use. The manufacturer is not liable for damage resulting from improper or incorrect use or failure to observe the instructions given in this manual.

This appliance is not intended for use by persons (including children) whose physical, sensory or mental capacities are reduced, or persons without experience or knowledge, unless they have been given instructions and monitored previously when using the appliance by a person responsible for their safety.

Children must be supervised to ensure they do not play with the appliance.

This appliance may be used by children 8 years of age or older, and those with reduced physical, sensory or mental capacity or lack of experience or knowledge, if they are properly supervised or if instructions for the safe use of the appliance have been given to them and the risks involved are clear to them.

Children are not permitted to play with the appliance.

Water heated to over 50°C can cause immediate serious burns if delivered directly to the taps. Children, disabled persons and the elderly are particularly at risk. It is recommended to install a thermostatic mixer valve on the water delivery line.

This appliance must not be cleaned or maintained by children without supervision.

Do not touch the appliance when barefoot or if any part of your body is wet.

Do not leave flammable materials in contact with or in the vicinity of the appliance.

The appliance must be emptied when it is out of service in an area subject to subzero temperatures. Drain as described in the appropriate chapter.

INSTALLATION CAUTION

The appliance must be installed and commissioned by a qualified technician in accordance with local legislation and health and safety regulations. All power circuits must be shut off before you open the terminal block.

Incorrect installation can result in damage to property and injury to persons and animals; the manufacturer is not liable for the consequences.

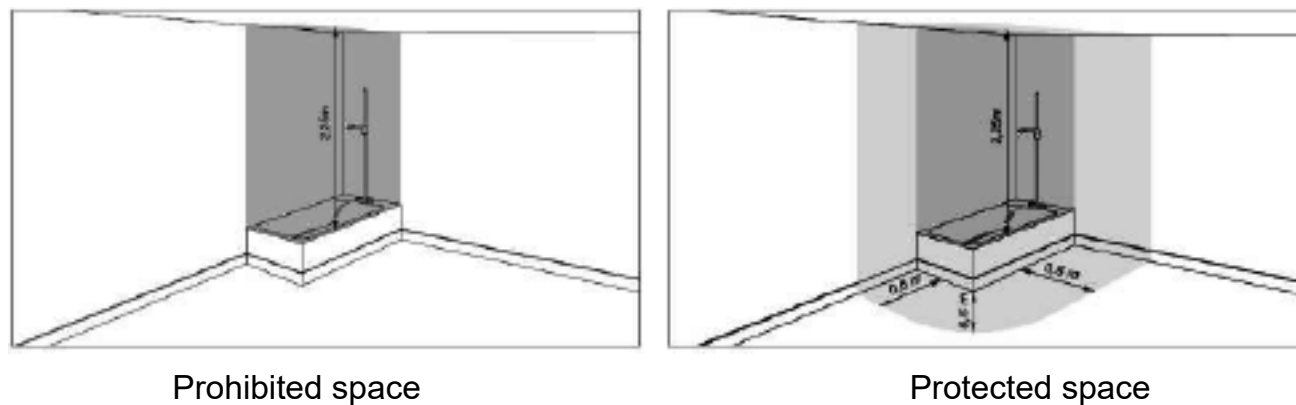
This product is heavy, handle with care and install the product in a frost-free room.

Ensure that the floor can support the weight of the water filled appliance.

The destruction of the appliance by overpressure due to the blocking of the safety device inactivates the warranty.

INSTALLATION WARNINGS

When installing this product in a bathroom do not use the "Prohibited space" and respect, at least, the "Protected space" listed as shown below:



This product must be placed in an accessible location.

The water heater must be fixed to the ground using the fixing brackets provided for this purpose and adhesives are not considered to be a reliable fixing means.

This product is designed to be used at a maximum altitude of 2000 m.

Refer to description and illustrations in paragraphs 6.1, 6.2 and 6.4.

AERAILIC CONNECTIONS WARNINGS

The simultaneous operation of an open-chamber hearth (e.g. open fireplace) and the heat pump causes a dangerous negative pressure in the room. The negative pressure can cause the return of exhaust gases into the room. Do not operate the heat pump together with an open-chamber hearth. Only use sealed-chamber hearths (approved) with separate combustion air supply. Seal the doors of boiler rooms that do not have the inflow of combustion air in common with living areas.

A suitable protection grille must be installed both at the air intake and outtake connections to prevent any foreign bodies from going inside the equipment.

Refer to description and illustrations in the "Aeraulic connections." paragraph 6.3.

HYDRAULIC CONNECTIONS WARNINGS

It is mandatory to screw on to the appliance's water intake pipe a suitable device against overpressure (not supplied). In countries which acknowledge EN 1487, the appliance's water intake pipe must be equipped with a safety device compliant with previously mentioned standard. It must be new, with 3/4" dimensions and calibrated to a maximum pressure of 0.7 MPa, including at least a cock, check valve, safety valve and hydraulic load cut-out.

This safety device must not be tampered with and must be made to operate frequently in order to check that it is not blocked and to remove any limescale.

The water may drip from the discharge pipe of the pressure-relief device and the pipe must be left open to the atmosphere. The discharge pipe connected to the pressure-relief device is to be installed in a continuously downward direction and in a frost-free environment.

A pressure reducer (not supplied) is required when the inlet water pressure is greater than 0.7 MPa (7 bar), which must be attached to the water mains.

The minimum inlet water pressure for the correct operation of the appliance is 0.15 MPa (1.5 bar).

Connect a rubber pipe to the condensate drain, taking care not to force too much so as not to break the drain pipe and refer to par. "6.6.1".

Use only connecting pipes (not supplied), rigid and resistant to electrolysis both at the inlet of cold water and at the outlet of hot water from the device.

For models that incorporate a heat exchanger (solar coil), the circuit must not exceed 1.0 MPa (10 bar) and its temperature must not exceed 80°C.

Refer to description and illustrations in the "Hydraulic connections" paragraph 6.6 and "Integration with solar thermal system" paragraph 6.7.

ELECTRICAL CONNECTIONS WARNINGS

The appliance shall be installed in accordance with national wiring regulations.

The electrical installation must include an all-pole disconnection with a separation of the contacts on all poles capable of guaranteeing complete disconnection in the overvoltage category III upstream of the appliance, complying with local installation rules in force .

The device must be protected by an adequate differential switch (max 30 mA). The type of differential switch should be selected by assessing the type of electrical devices used by the system as a whole.

Earth connection is mandatory. The manufacturer of the appliance shall not be held liable for any damage caused by failure to earth the system or due to anomalies in the electric power supply.

It is strictly forbidden to connect the appliance at the AC mains through extensions or by a power strip.

Before taking off the cover, make sure that the power is turned off to prevent injury or electric shock.

Refer to description and illustrations, respectively, in the "Electrical connections" paragraph 6.8 and "Wiring diagram" paragraph 6.9.

SERVICING - MAINTENANCE - TROUBLESHOOTING WARNINGS

Any repairs, maintenance, plumbing and electrical connections must be done by qualified technicians using original spare parts only. Failure to observe the above instructions can compromise the safety of the appliance and relieves the manufacturer of any liability for the consequences.

To empty the appliance: turn off the power supply and cold water, open the hot water taps and then operate the drain valve of the safety device.

The pressure relief valve must be operated regularly to remove scale deposits and to ensure that it is not blocked.

The appliance is equipped with a supply cord that if damaged, must be replaced by the manufacturer, its service agent or similarly qualified persons in order to avoid a hazard.

The appliance incorporates a time-lag miniature fuse-link that if broken, it must be replaced with a fuse model "T5AL250V" in accordance with IEC 60127.

Refer to description and illustrations, respectively, in the "TROUBLESHOOTING" chapter 9 and "MAINTENANCE" chapter 10.



2. INTRODUCTION

This installation and maintenance manual is an integral part of the heat pump (hereinafter equipment).




The manual must be kept for future reference until dismantling. It is intended for the specialist installer (installers - maintenance technicians) and the end user. The manual describes the installation procedures to be observed for correct and safe operation of the equipment, and the methods of use and maintenance.

In case of sale or transfer to another user, the manual must stay with the unit.

Before installing and/or using the equipment, read this instruction manual carefully and in particular chapter 5 on safety.

The manual must be kept with the unit and always be available to qualified installation and maintenance personnel.

The following symbols are used in the manual to highlight the most important information:

	Caution
	Procedures to be followed
	Information / Suggestions

2.1 Products

Dear Customer,

Thank you for purchasing this product.

Our company, always attentive to environmental issues, uses low environmental impact technologies and materials for its products, in compliance with EU WEEE standards (2012/19/EU – RoHS 2011/65/EU).

2.2 Disclaimer

The conformity of these operating instructions with the hardware and the software has been carefully checked. Nevertheless there may be differences; and no responsibility is assumed for total conformity.

In the interest of technical improvement, we reserve the right to make construction or technical data changes at any time. Any claim based on indications, figures, drawings or descriptions is therefore excluded. They are subject to possible errors.

The constructor declines any liability for damage due to command errors, improper or inappropriate use, or due to unauthorized repairs or modifications.

2.3 Language

The manual was written in Italian (IT), the original language of the manufacturer.

Any translations into additional languages must be made from the original instructions.

The Manufacturer is held responsible for the information contained in the original instructions; translations into different languages cannot be fully verified, therefore, if an inconsistency is found, it is necessary to follow the original language text or contact our Technical Documentation Office.

2.4 Copyright

These operating instructions contain information protected by copyright. No part of these operating instructions may be photocopied, duplicated, translated or recorded on storage media without prior permission from the supplier. Any violations will be subject to compensation for damage. All rights, including those resulting from the granting of patents or registration of utility models, are reserved.

2.5 Available versions and configurations

This appliance incorporates a 1.9 kW heat-pump unit and can be set up in different configurations, according to possible integration with additional heating sources (e.g. solar heating) or depending on boiler capacity.

Version	Configuration description
EKHHE200CV37 EKHHE260CV37	Air heat pump for domestic hot water (DHW) production
EKHHE200PCV37 EKHHE260PCV37	Air heat pump for DHW production prearranged for the solar thermal system.

3. HANDLING AND TRANSPORT

The equipment comes in a cardboard box(*).

It is secured to a pallet by means of three screws.

For unloading operations use a forklift or an adequate pallet truck.

The packed equipment can be placed horizontally and back down to facilitate undoing the anchoring screws.

Unpacking must be done carefully so as not to damage the equipment casing if using knives or cutters to open the cardboard packaging.

After removing the packaging, check the integrity of the unit. If in doubt, do not use the unit; contact authorized technical personnel.

Before eliminating the packaging, according to the applicable environmental protection regulations, make sure all the accessories supplied have been removed.

(*) Note: The type of packaging may undergo variations at the discretion of the manufacturer.

For the entire period the equipment remains idle, awaiting commissioning, it is advisable to put it in a place protected from atmospheric agents

3.1 Receipt

In addition to the units, the packages contain accessories and technical documentation for use and installation. Check that the following are present:

- 1x user, installation and maintenance manual;
- 3x fastening brackets plus screws;
- 1x thermal cut-out (only for EKHHE200PCV3 and EKHHE260PCV3).

For the entire period the equipment remains idle, awaiting commissioning, it is advisable to put it in a place protected from atmospheric agents.

Positions allowed for transport and handling

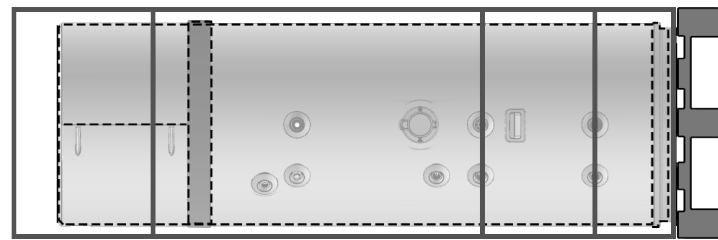


fig. 1

! ATTENTION! During the product handling and installation phases the upper part must not be stressed in any way, as it is not structural.

! ATTENTION! Horizontal transport is allowed only for the last km according to that indicated (see "Positions not allowed for transport and handling"), making sure supports are positioned in such a way at the bottom of the boiler so as not to stress the upper part, as it is not structural. During horizontal transport the display must face upwards.

Position allowed only for the last km



Positions not allowed for transport and handling

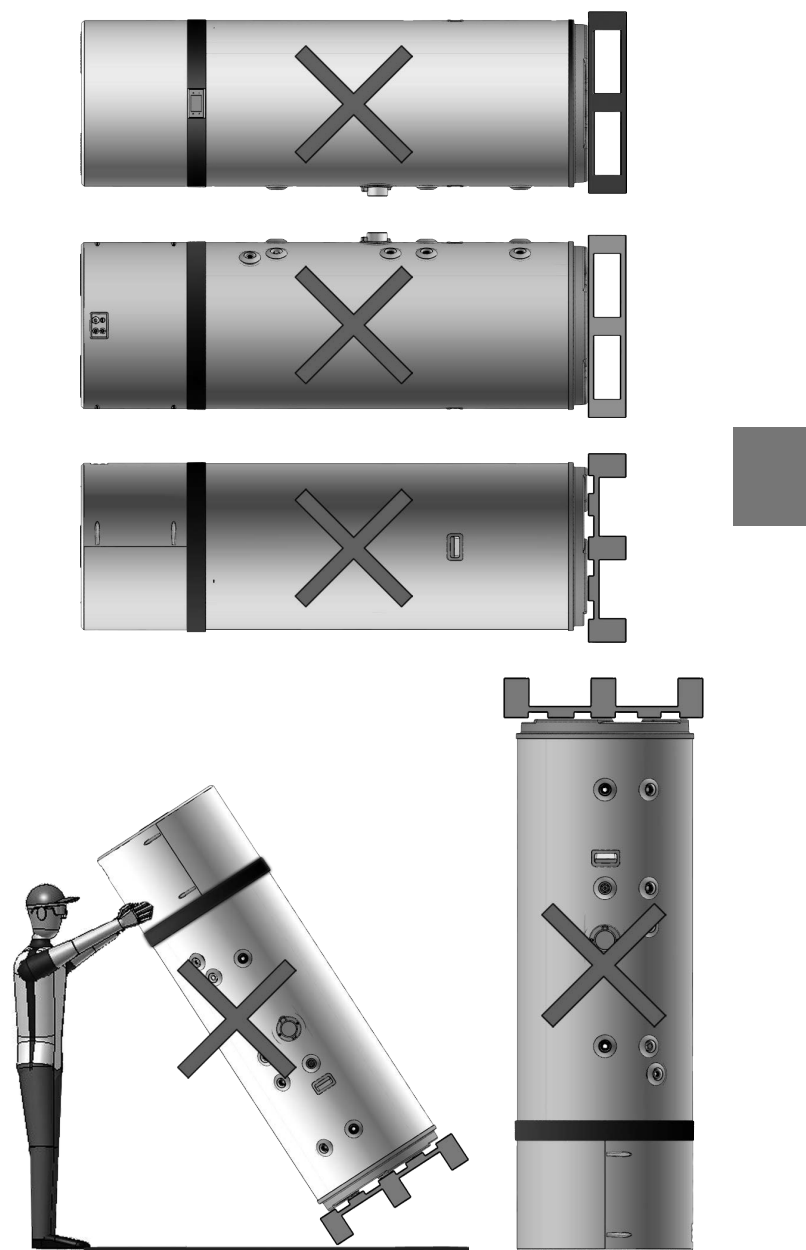


fig. 2

4. CONSTRUCTION CHARACTERISTICS

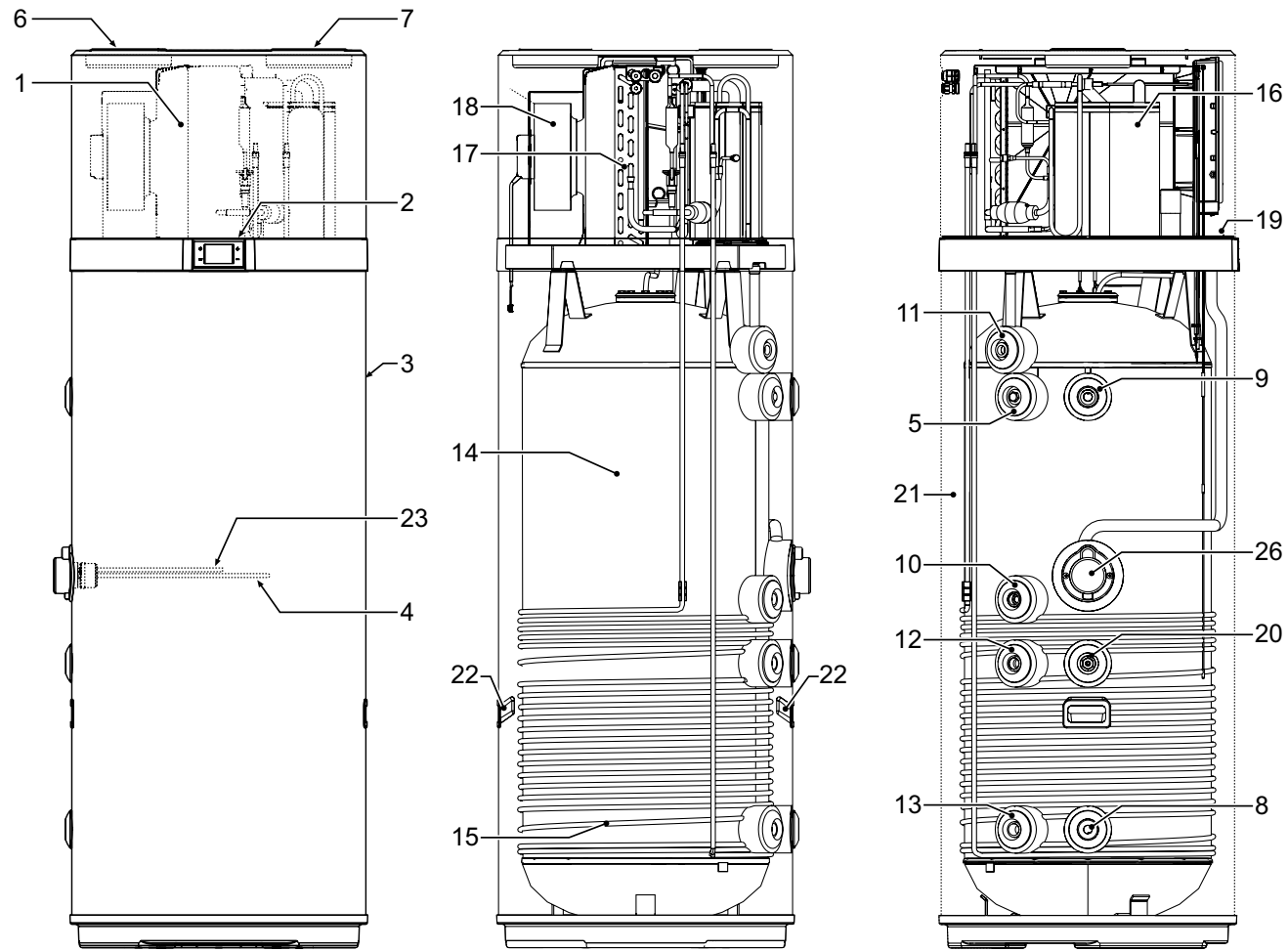
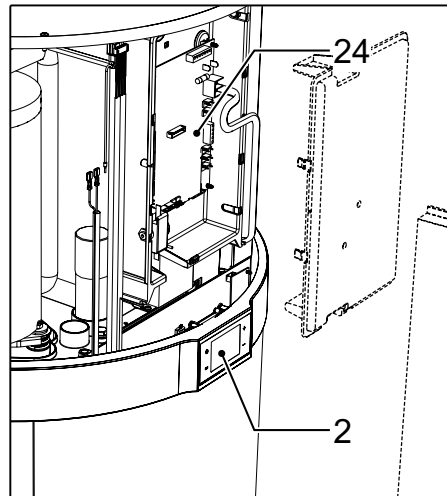


fig. 3



- 1 Heat pump
- 2 User interface
- 3 Steel casing
- 4 Heating element
- 5 Magnesium anode
- 6 Ventilation air inlet (Ø 160 mm)
- 7 Ventilation air outlet (Ø 160 mm)
- 8 Cold water inlet connection
- 9 Hot water outlet connection

- 10 Prearrangement for recirculation
- 11 Condensate drain
- 12 Prearrangement for solar coil Inlet
Only for models **EKHHE200PCV37**
EKHHE260PCV37
- 13 Prearrangement for solar coil outlet
Only for models **EKHHE200PCV37**
EKHHE260PCV37
- 14 Steel tank with vitreous enamel coating according to DIN 4753-3
- 15 Condenser
- 16 Rotary compressor
- 17 Finned pack evaporator
- 18 Electronic fan
- 19 Boiler probes
- 20 Probe holder pocket for solar - *Only for models*
EKHHE200PCV37
EKHHE260PCV37
- 21 Polyurethane insulation
- 22 Carrying handles
- 23 Tube for safety thermostat bulb
- 24 Power board
- 26 Compartment for accessing heating element and safety thermostat bulb

4.1 Dimensional data

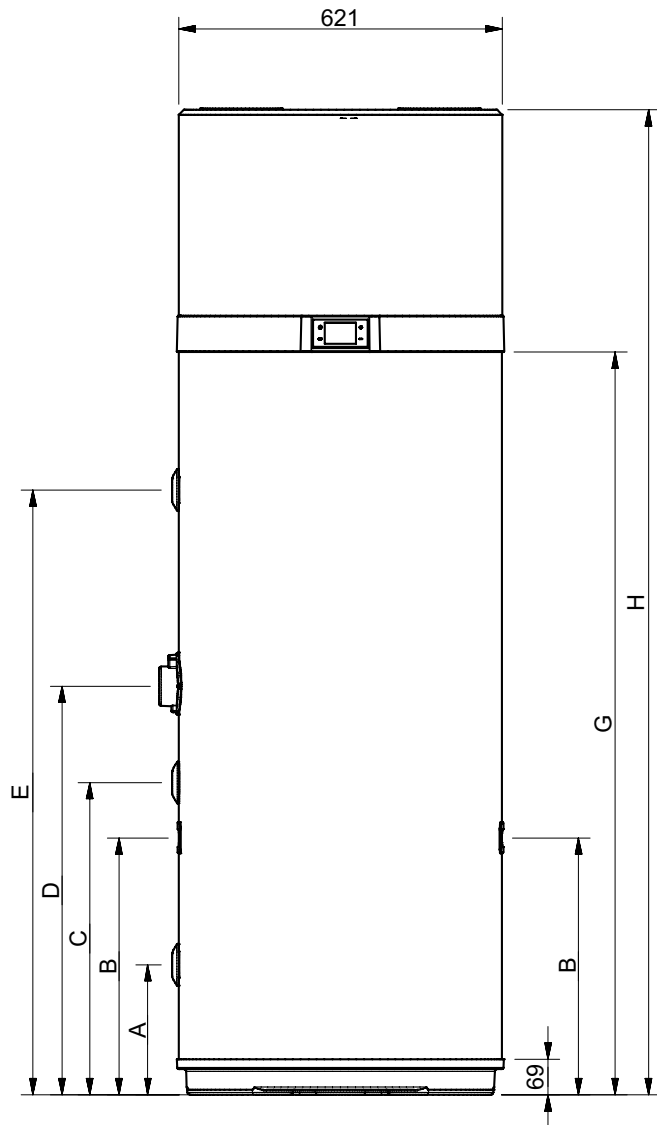


fig. 4

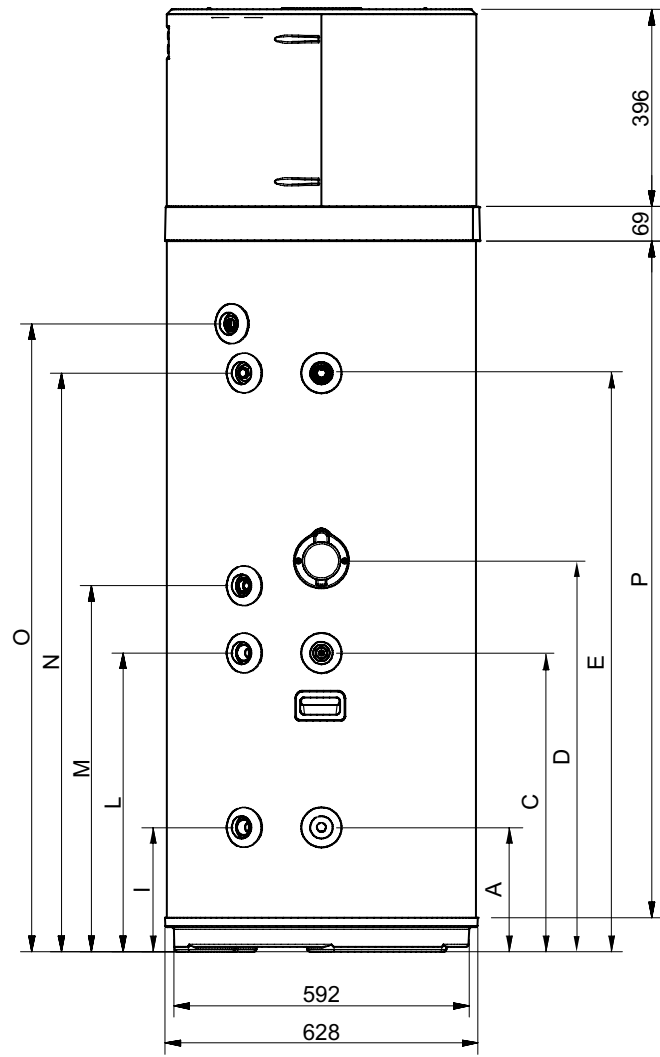


fig. 5

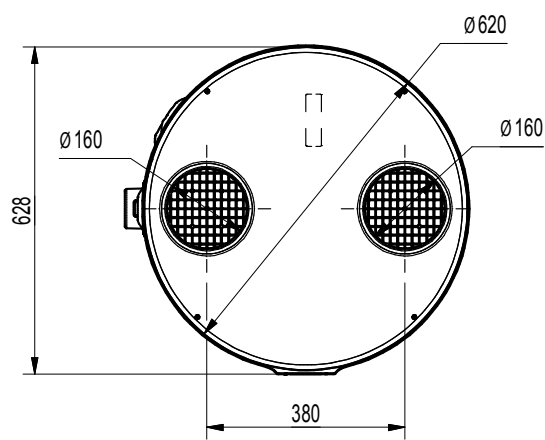


fig. 6

MODEL	Ø	EKHHE200PCV37	EKHHE260PCV37	EKHHE200CV37	EKHHE260CV37	UM
A	1"G	250	250	250	250	mm
B	-	490	493	/	/	mm
C	1/2"G	600	600	600	600	mm
D	-	705	785	705	785	mm
E	1"G	876.5	1162	876.5	1162	mm
G	-	1142	1427	1142	1427	mm
H	-	1607	1892	1607	1892	mm
I	3/4"G	250	250	/	/	mm
L	3/4"G	599	600	/	/	mm
M	3/4"G	705	735	705	735	mm
N	3/4"G	877	1162	877	1162	mm
O*	1/2"G	976	1261	976	1261	mm
P	-	1073	1358	1073	1358	mm

*O - Outlet connection in plastic material

4.2 Technical characteristics

Modello	EKHHE200CV37	EKHHE260CV37	EKHHE200PCV37	EKHHE260PCV37	U.m.	
General data	Voltage supplied	230Vac-50Hz				-
	Tank water content - V _{nom}	192	250	187	247	dm ³
	Maximum inlet water pressure	0.7	0.7	0.7	0.7	MPa
	Empty weight	85	97	96	106	kg
	Operating weight	277	347	283	353	kg
	Dimensions (φxh)	621 x 1607	621 x 1892	621 x 1607	621 x 1892	mm
	Max. Hot water temperature with heat pump	62	62	62	62	°C
	Max. Hot water temperature with additional electric heater	75	75	75	75	°C
Tank	Material	Enameled steel				-
	Cathodic protection	Mg rod anode				-
	Insulating type	Polyurethane				-
	Insulation thickness	50	50	50	50	mm
Heat pump electrical data	Average power input in heating	430	430	430	430	W
	Maximum power input	530	530	530	530	W
	Maximum current input	2.43	2.43	2.43	2.43	A
Electric heater electrical data	Supply voltage	230Vac-50Hz				-
	Power input	1500	1500	1500	1500	W
	Current input	6.5	6.5	6.5	6.5	A
Electrical data Heat pump + electric heater	Maximum power input	1960	1960	1960	1960	W
	Maximum current input	8.5	8.5	8.5	8.5	A
Air circuit	Fan type	Centrifugal				-
	Air volume flow rate	450	450	450	450	m ³ /h
	Available external static pressure	117	117	117	117	Pa
	Ducts diameter	160	160	160	160	mm
Refrigerant circuit	Compressor	Rotary				-
	Refrigerant	R134a				-
	Refrigerant charge	1	1	1	1	kg
	Evaporator	Copper-aluminum finned coil				-
	Condenser	Aluminum tube wound outside tank				-
Solar coil	Material	-	-	Enameled steel	Enameled steel	-
	Surface	-	-	0.72	0.72	m ²
	Max pressure	-	-	1	1	MPa
Data according to EN 16147: 2017 standard for AVERAGE climate (unit in ECO mode, Hot water setpoint = 55 °C; Inlet water = 10 °C; Inlet air temp = 7 °C DB / 6 °C WB)	Load profile	L	XL	L	XL	-
	Water heating energy efficiency class *	A+	A+	A+	A+	-
	Water heating energy efficiency - η _{wh}	135	138	135	138	%
	COP _{DHW}	3.23	3.37	3.23	3.37	-
	Maximum volume of mixed water at 40 °C - V ₄₀	247	340	241	335	dm ³
	Reference hot water temperature - θ' _{wh}	52.5	53.2	52.5	53.2	°C
	Rated heat output - Prated	1.339	1.249	1.339	1.249	kW
	Heating up time - t _h	06:27	09:29	06:27	09:29	hh:mm
	Annual electricity consumption - AEC	761	1210	761	1210	kWh
	Stand-by power input (P _{es})	26	28	26	28	W
Data according to EN 12102-2: 2019 ECO mode with Inlet air temp = 7 °C DB / 6 °C WB	Indoor sound power level	53	51	53	51	dB(A)
	Outdoor sound power level	45	44	45	44	dB(A)

5. IMPORTANT INFORMATION

5.1 Compliance with European regulations

This heat pump is a product intended for domestic use in compliance with the following European directives:

- Directive 2012/19/EU (WEEE)
- Directive 2011/65/EU on the restriction of the use of certain hazardous substances in electrical and electronic equipment (RoHS)
- Directive 2014/30/EU electromagnetic compatibility (EMC)
- Directive 2014/35/EU low voltage (LVD)
- Directive 2009/125/EC eco-friendly design
- Regulation 2017/1369/EU energy labeling

5.2 Casing protection rating

The equipment protection rating is: **IP24**.

5.3 Operating limits



PROHIBITION! This product is not designed or intended for use in hazardous environments (due to the presence of potentially explosive atmospheres - ATEX or with required IP level higher than that of the unit) or in applications requiring safety features (fault-tolerant, fail-safe) which may be systems and/or technologies to support life or any other context in which the malfunction of an application can lead to death or injury to people or animals, or serious damage to property or the environment.



NB! If the possibility of a product fault or failure can cause damage (to people, animals and property) it is necessary to provide for a separate functional surveillance system equipped with alarm functions in order to exclude such damage. It is also necessary to arrange the replacement operation!



Appliance is not designed for installation outdoors but in a "closed" place not exposed to the elements.

5.4 Operating limits

The product in question is designed exclusively for heating hot water for sanitary uses within the limits described below. For this purpose, it must be connected to the domestic water supply and the power supply (see chapter "6. INSTALLATION AND CONNECTIONS").

5.4.1 Temperature range

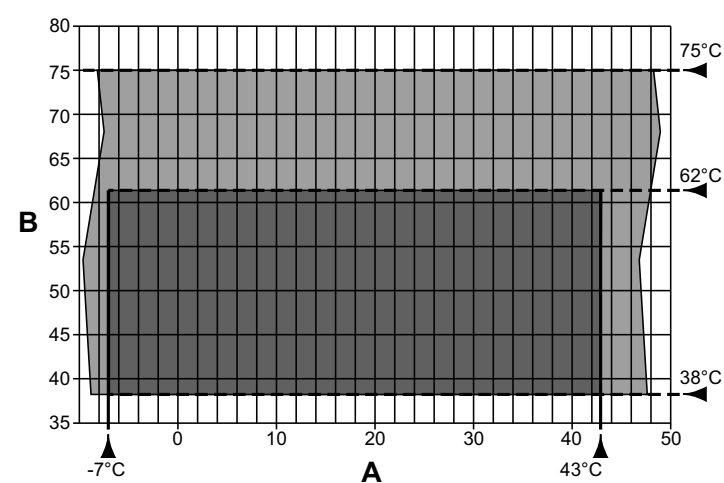


fig. 7- Chart

A = Inlet air temperature (°C)

B = Hot water temperature (°C)

■ = Operating range for heat pump (HP)

■ = Integration with heating element only

5.4.2 Water hardness

The unit must not operate with water of hardness under 12°F; however, with particularly hard water (above 25°F), it is advisable to use a properly calibrated and monitored water softener, in this case the residual hardness must not fall below 15°F.



NB! In the design and construction phase of the plants, the applicable local regulations and provisions must be respected.

5.5 Basic safety rules

- The product must be used by adults;
- Do not open or disassemble the product when it is electrically powered;
- Do not touch the product if barefoot or with wet or damp parts of the body;
- Do not pour or spray water on the product;
- Do not climb, sit and/or place any type of object on the product.

5.6 Information on the refrigerant used

This product contains fluorinated greenhouse gases included in the Kyoto protocol. Do not release these gases into the atmosphere.

Type of refrigerant: HFC-R134a.



NB! Maintenance and disposal operations must only be carried out by qualified personnel.

6. INSTALLATION AND CONNECTIONS

6.1 Preparation of place of installation

The product must be installed in a suitable place, i.e. to allow normal use and adjustment operations as well as routine and extraordinary maintenance.

The necessary operating space must therefore be prepared by referring to the dimensions given in fig. 8 and fig. 9.

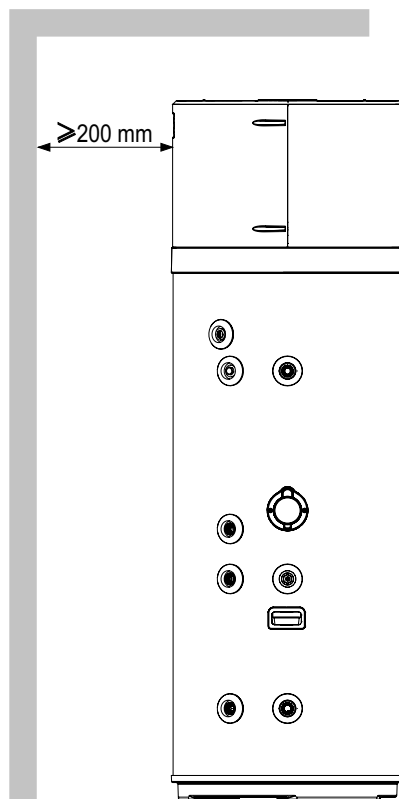


fig. 8- Minimum spaces

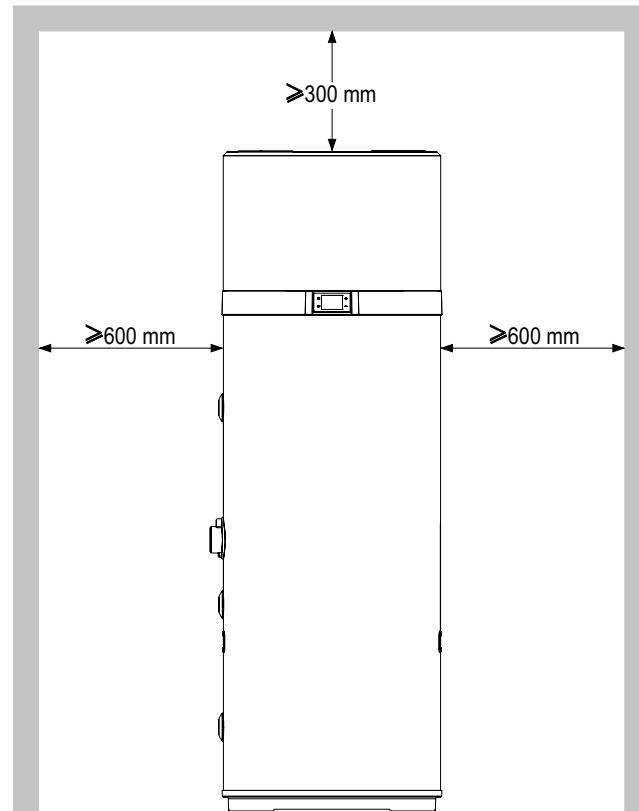


fig. 9- Minimum spaces

The room must also be:

- Equipped with adequate water and electricity supply lines;
- Prearranged for the condensation water discharge connection;
- Prearranged with adequate water drains in case of boiler damage or safety valve intervention or the breakage of pipes/connections;
- Equipped with possible containment systems in case of serious water leakage;
- Sufficiently illuminated (where required);
- Not less than 20 m³ in volume;
- Protected against frost and be dry.



ATTENTION! To avoid the propagation of mechanical vibrations, do not install the equipment on floors with wooden beams (e.g. in the attic).

6.2 Securing to the floor

To secure the product to the floor, fasten the supplied brackets as shown in fig. 10.

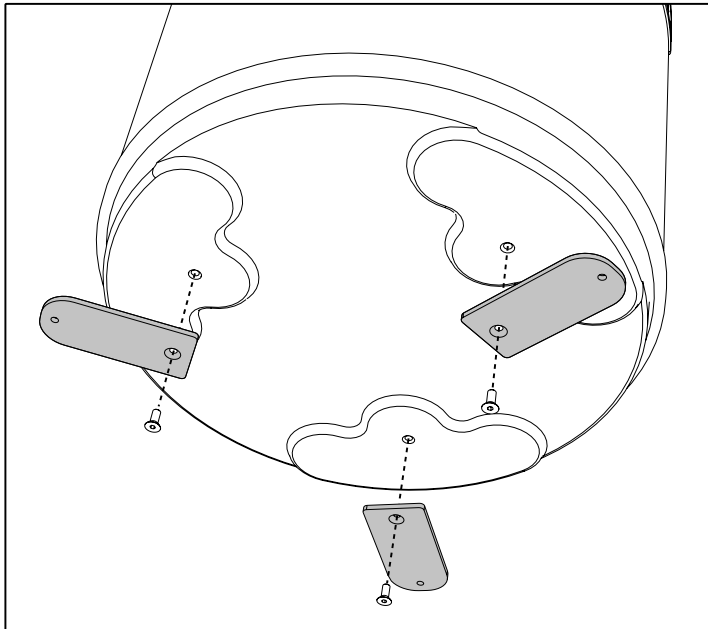


fig. 10- Fastening brackets

Then secure the unit to the floor with the aid of suitable plugs, not supplied, as shown in fig. 11.

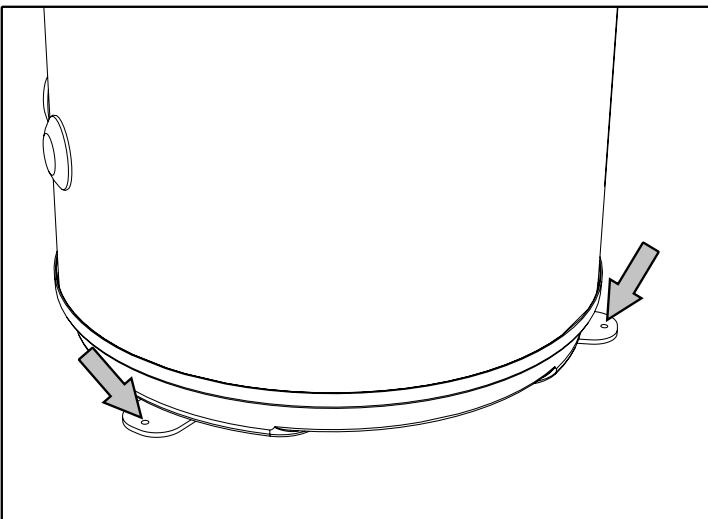


fig. 11- Securing to the floor

6.3 Aeraulic connections

In addition to the spaces indicated in 6.1, the heat pump requires adequate air ventilation.

Create a dedicated air channel as indicated in fig. 12.

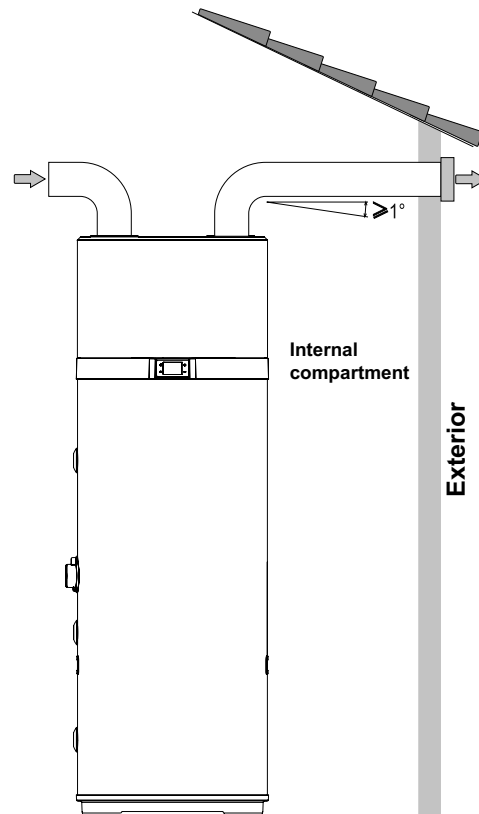


fig. 12- Example of air outlet connection

It is also important to ensure adequate ventilation of the room containing the unit. An alternative solution is shown in the figure below (fig. 13): it provides for a second ducting that takes air from the outside instead of directly from the inside room.

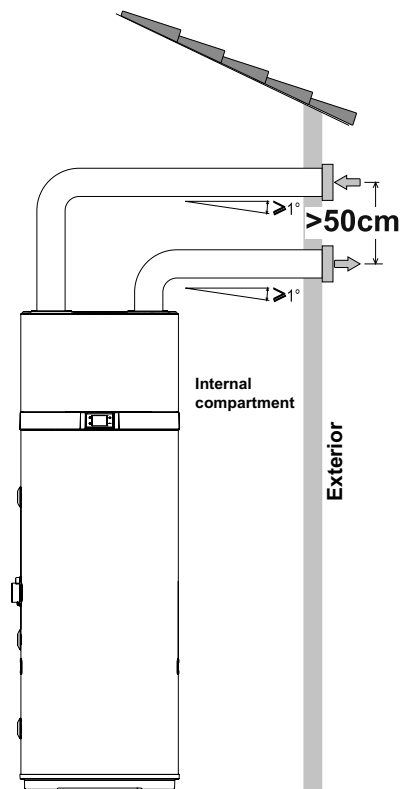


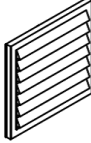


fig. 13- Example of air outlet connection

Install each air channel, making sure:

- It does not weigh down on the equipment.
- It allows maintenance operations.
- It is adequately protected to prevent the accidental intrusion of materials inside the equipment.
- The connection to the outside must be done with suitable, non-flammable piping.
- The total equivalent length of the extraction pipes plus the delivery, including grilles, must not exceed 12 m.

The table gives the characteristic data of commercial ducting components with reference to nominal air flows and diameters 160 mm.

Data	Smooth straight pipe	Smooth 90° curve	Grille	UM
Type				
Effective length	1	1	1	m
Equivalent length	1	2	2	m

i During operation, the heat pump tends to lower the room temperature if the air ducting is not to the outside.

i A suitable protection grille must be installed at the air extraction pipe to the outside to prevent any foreign bodies from entering inside the equipment. To ensure maximum product performance, the grille must be selected from those with low pressure loss.

i To avoid the formation of condensation water: insulate the air extraction pipes and the ducted air cover connections with a steam-tight thermal covering of adequate thickness.

i Install silencers if deemed necessary to prevent noise due to the flow. Equip the pipes, wall outlets and connections to the heat pump with vibration-damping systems.

6.3.1 Special installation

One of the peculiarities of the heat pump heating systems is that these units considerably lower the air temperature, generally expelled to the outside of the house. As well as being colder than the ambient air, the expelled air is also completely dehumidified, therefore the air flow can be returned inside for the summer cooling of specific rooms or areas.

Installation provides for splitting of the extraction pipe, which is fitted with two dampers ("A" and "B") for directing the air flow to the outside (fig. 15) or the inside of the house (fig. 14).

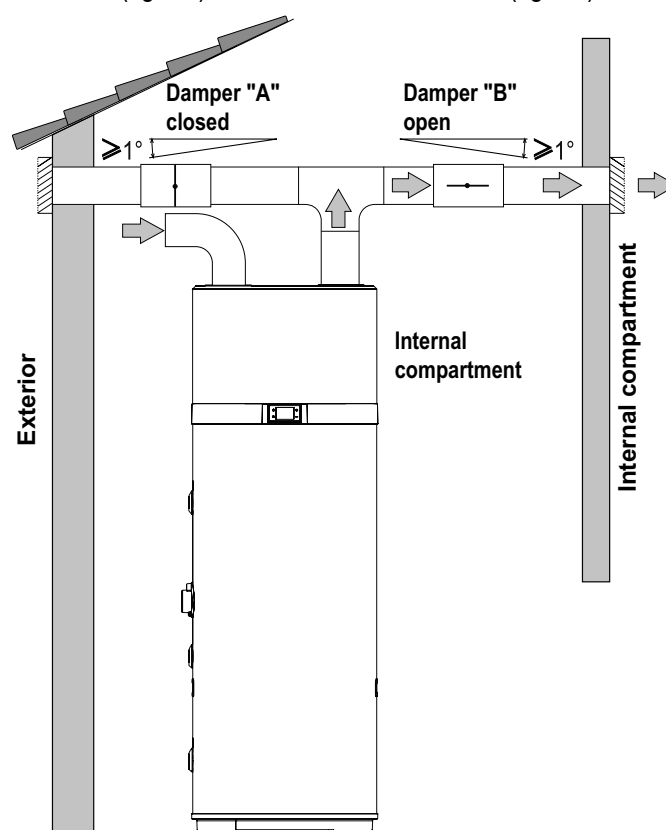


fig. 14- Example of installation in the summer period

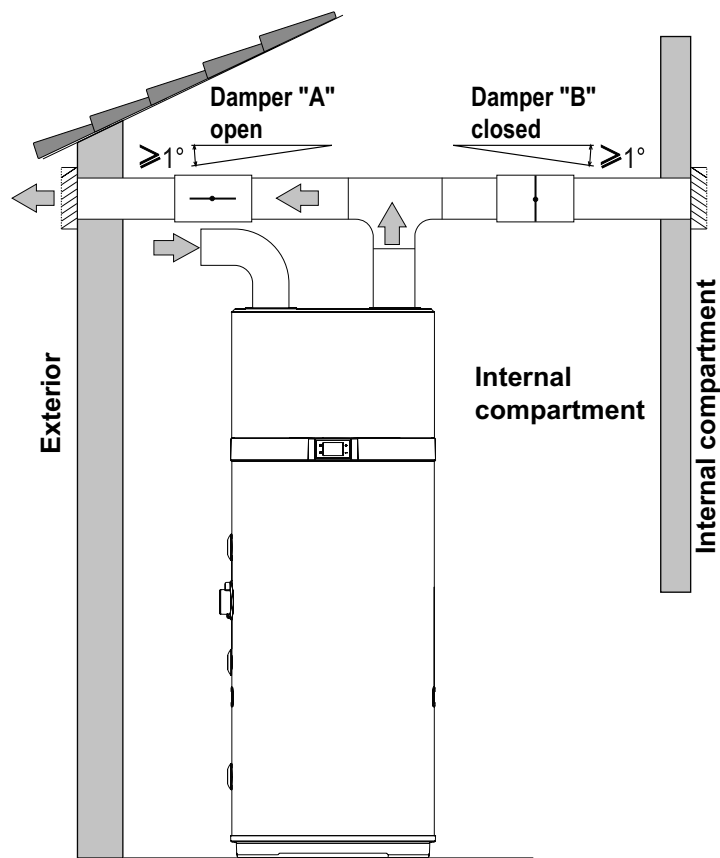


fig. 15- Example of installation in the winter period

6.4 Securing and connections of this appliance

The product must be installed on a stable, flat floor that is not subject to vibrations.

6.5 Hydraulic connections

Connect the cold water supply line and the outlet line to the appropriate connection points (fig. 16).

The table below gives the characteristics of the connection points.

Ref.	Function	Model 200 l / 260 l
1	Cold water inlet	1"G
2*	Solar coil outlet	3/4"G
3*	Solar coil inlet	3/4"G
4	Recirculation	3/4"G
5	Hot water outlet	1"G
6	Condensate drain	1/2"G
A*	Pit for solar probe and thermal cut-out bulb	1/2"G

*: only for EKHHE200PCV37 and EKHHE260PCV37 models.

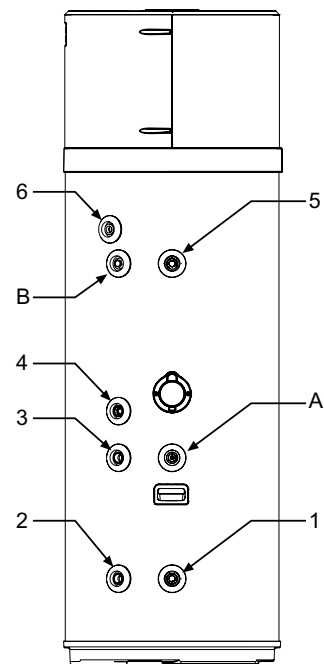


fig. 16

The following figure (fig. 17) illustrates an example of plumbing connection.

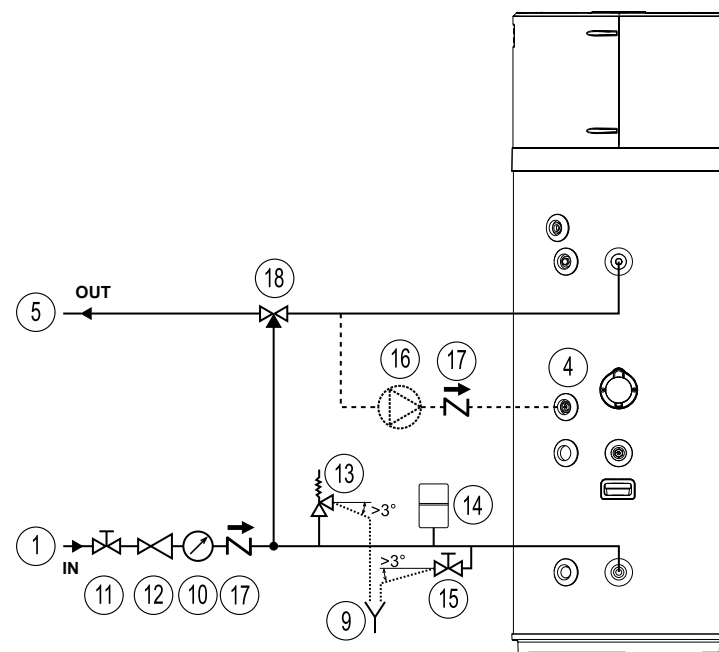


fig. 17- Example of water system

Legend (fig. 17)

- | | | | |
|----|--------------------------------------|----|---------------------------------------|
| 1 | Water inlet pipe | 13 | Safety valve |
| 4 | Recirculation water inlet | 14 | Expansion vessel |
| 5 | Hot water outlet pipe | 15 | Drain tap |
| 9 | Inspectionable end of discharge pipe | 16 | Recirculation pump |
| 10 | Pressure gauge | 17 | Spring check valve |
| 11 | Shut-off valve | 18 | Automatic thermostat mixing equipment |
| 12 | Pressure regulator | | |

6.5.1 Condensate drain connection

The condensate forming during heat pump operation flows through a special drain pipe (1/2"G) that passes inside the insulating casing and comes out at the side of the equipment. It must be connected, via a trap, to a duct so that the condensate can flow regularly (fig. 18).

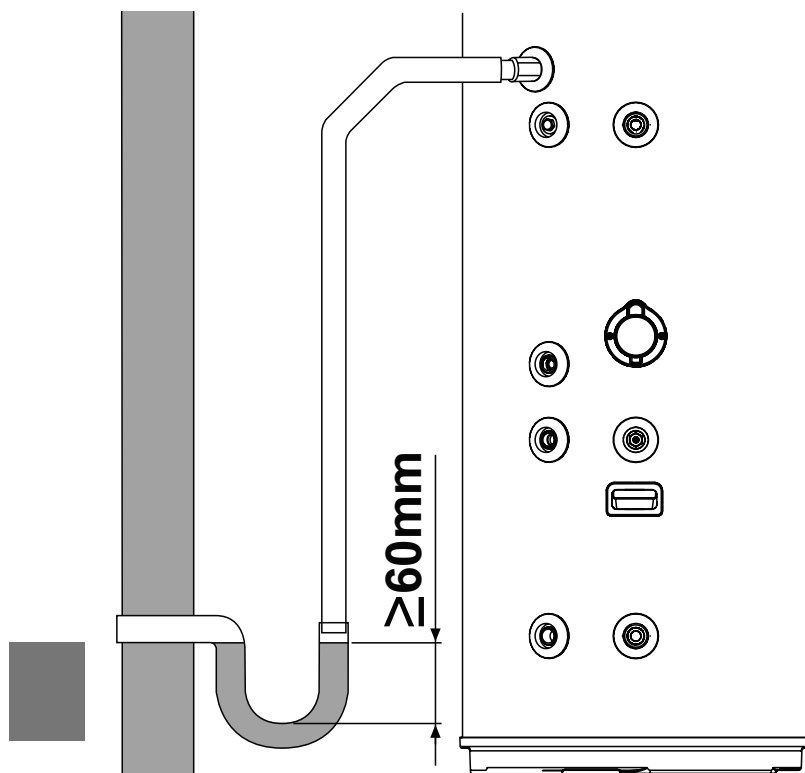


fig. 18- Examples of condensate drain connection via a trap

6.6 Integration with solar thermal system (only for models EKHHE200PCV37, EKHHE260PCV37)

The following figure (fig. 19) shows how to connect the equipment to a solar thermal system controlled by a dedicated electronic controller (not supplied) that has a "voltage-free contact" type output to be connected to the DIG.1 input of the equipment (see "6.7.1 Remote connections").

To use the equipment in this configuration it is necessary to set the parameter **P16 = 1** (see par. 8.1).

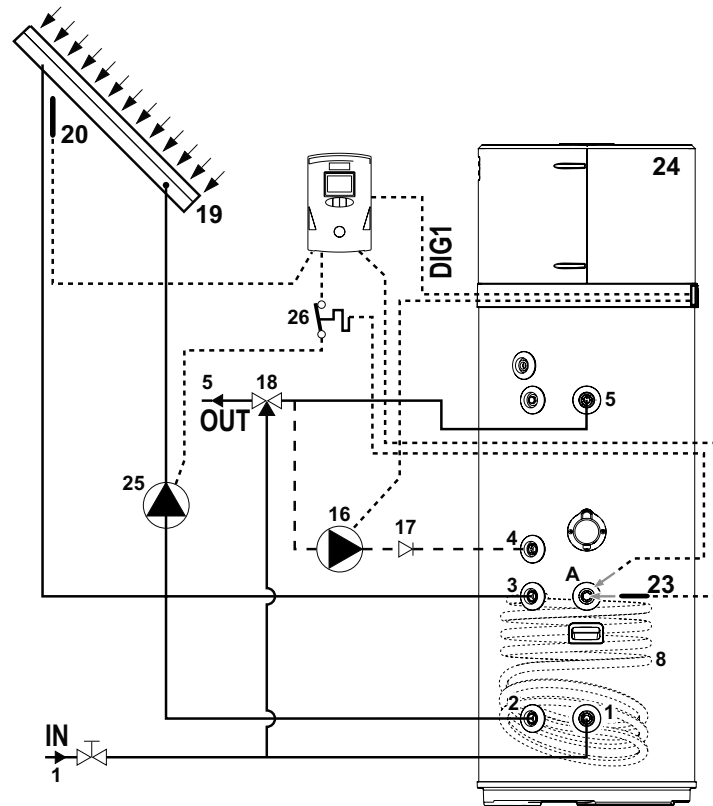


fig. 19

The following figures (fig. 20 and fig. 21) show how to connect the equipment to a solar thermal system controlled directly by the latter, without the aid of a dedicated electronic controller.

In the configuration of fig. 20, in case of solar collector overtemperature a drain valve (not supplied) is activated to discharge in a DHW storage tank (puffer) hot water contained in the equipment.

In the configuration of fig. 21, however, in this condition the solar collector shutter is closed.

In both cases this occurs in order to allow the collector to cool down.

To use the equipment in both these configurations it is necessary to set the parameter **P12 = 2** and **P16 = 2** (see par.8.1).

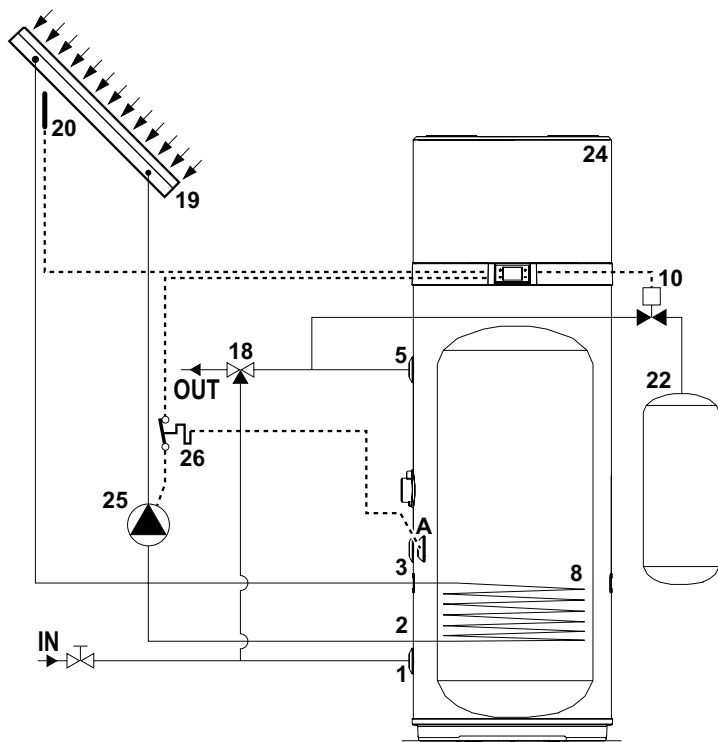


fig. 20

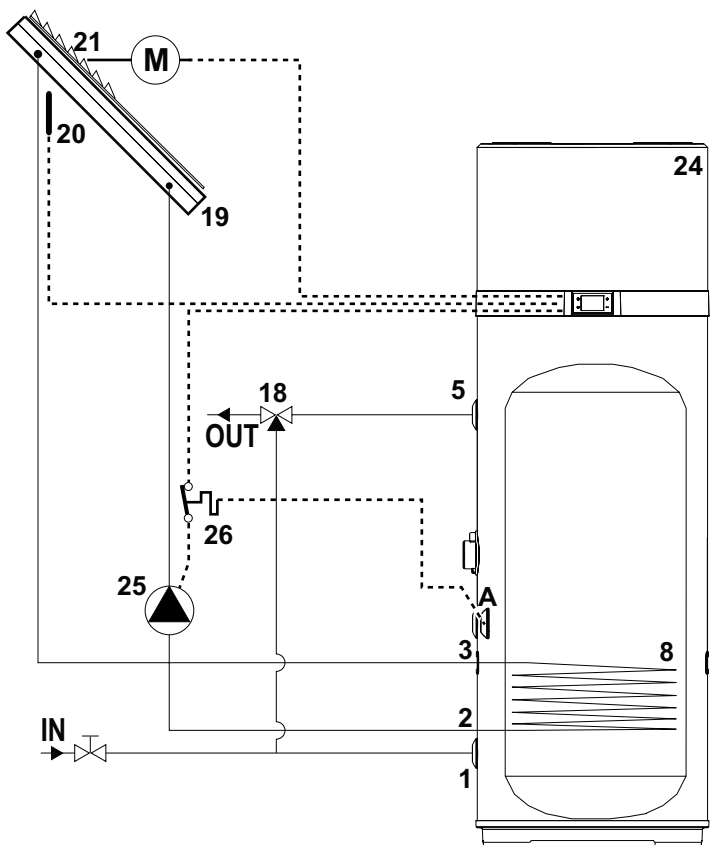


fig. 21

Legend (fig. 19, fig. 20 and fig. 21)

- | | |
|---|---|
| 1 Cold water inlet | 20 Solar collector probe (PT1000 not supplied*) |
| 2 Solar coil outlet | 21 Solar collector shutter |
| 3 Solar coil inlet | 22 DHW puffer |
| 4 Recirculation | 23 Solar coil probe (not supplied) |
| 5 Hot water outlet | 24 Heat pump |
| 8 Solar thermal coil | 25 Solar pump (ON/OFF type) |
| 10 Drain valve | 26 Thermal cut-out (supplied) for solar pump |
| 16 Recirculating pump (ON/OFF type) | A Pit for solar probe and thermal cut-out |
| 17 Check valve | |
| 18 Automatic thermostatic mixing device | |
| 19 Solar collector | |

* We advise to use solar collector probe PT1000 (available on manufacturer's accessories list)

6.7 Electrical connections

Before connecting the appliance to AC mains, a check must be carried out on the electrical system to verify conformity to the regulations in force and that the electrical system can suitably withstand the water heater's maximum power consumption values (refer paragraph 4.2 for technical characteristics), in terms of the size of the cables and their conformity to the regulations in force.

The appliance is supplied with a power cord with a Schuko plug (fig. 23) and for the connection with AC mains is required:

- a Schuko wall socket with ground and separate protection is required (fig. 22);
- an omnipolar 16 A circuit breaker with a contact opening of at least 3 mm;
- a 30 mA differential circuit breaker.

It is forbidden to use multiple outlet sockets, extension cables or adaptors.

It is forbidden to use piping from the water, heating and gas systems for earthing the appliance.

Prior to operating the machine, make sure that the electricity mains voltage conforms to the value indicated on the appliance's data plate.

The manufacturer of the appliance shall not be held liable for any damage caused by failure to earth the system or due to anomalies in the electric power supply.

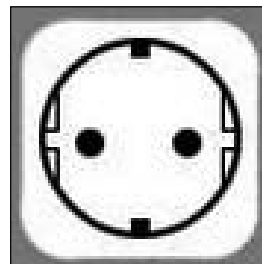


fig. 22 - Schuko socket

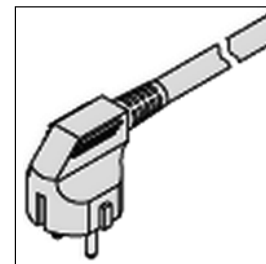


fig. 23 - Unit plug

6.7.1 Remote connections

The equipment is designed to be connected to other remote energy systems or energy meters (solar thermal, photovoltaic, Off-Peak)

INPUTS

- Digital 1 (**DIG1**). Digital input for solar thermal (*only for models PCV3*). In case of a solar thermal system with dedicated control unit, the latter can be connected to the equipment to deactivate the heat pump when there is energy production from solar source. Having a voltage-free contact that closes when the solar system is active, it can be connected to the two **white** and **brown** wires of the 6-core cable supplied with the equipment.

Set the parameter **P16 = 1** to activate the supplement with solar thermal.

- Digital 2 (**DIG2**). Digital input for photovoltaic. In case of a photovoltaic system connected to the plant, it can be used to subtract energy in the form of hot water in times of overproduction. If there is a voltage-free contact, e.g. from the inverter, which closes when there is overproduction of energy, it can be connected to the two **green** and **yellow** wires of the 6-core cable supplied with the equipment.

Set the parameter **P23 = 1** to activate the supplement with photovoltaic.

- Digital 3 (**DIG3**). Input for Off-Peak. This function, available only in some countries, allows the equipment to be activated only when there is a signal coming from outside with preferential tariff. If the electric contactor has a voltage-free contact which closes when the preferential tariff is available, it can be connected to the two **gray** and **pink** wires of the 6-core cable supplied with the equipment.

Set the parameter **P24 = 1** to activate Off-peak in ECO mode or **P24 = 2** for Off-peak in AUTO mode.

- Digital input (**LPSW**) for the flow switch of the solar thermal/ DHW circulating pump (not supplied)
- Analog input (**PT1000**) for solar collector probe.

OUTPUTS

230 Vac - 16 A relay output with N.O. contact. for solar thermal / DHW recirculation circulating pump (ON/OFF type).

230 Vac - 5 A relay output with contact N.O. for solar collector shutter / drain valve.

Only for models PCV3



Note: For more information on remote connections and the configuration of the equipment with these systems, see the par. "7.5 Operating mode" and "8.1.1 List of equipment parameters".

6.7.1.1 Remote connection

For the connection to the digital inputs the equipment is supplied with an additional 6-core cable already connected to the PCBA of the user interface (located inside the device). The remote connections to possible energy systems are the responsibility of the qualified installer (connection boxes, terminals and connection cables).

The following figures give an example of remote connection (fig. 24 and fig. 25) which must not be longer than **3 m**.

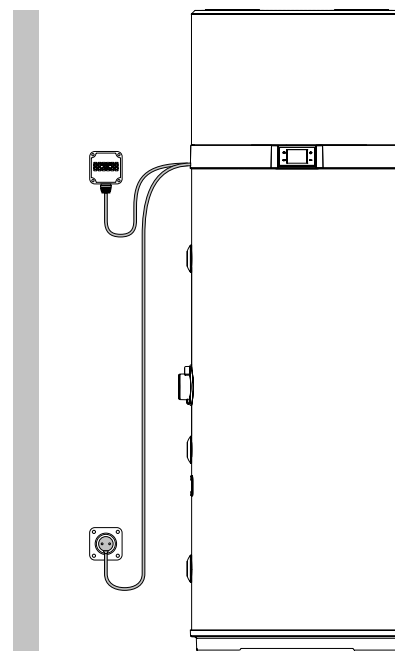


fig. 24- Example of remote connection

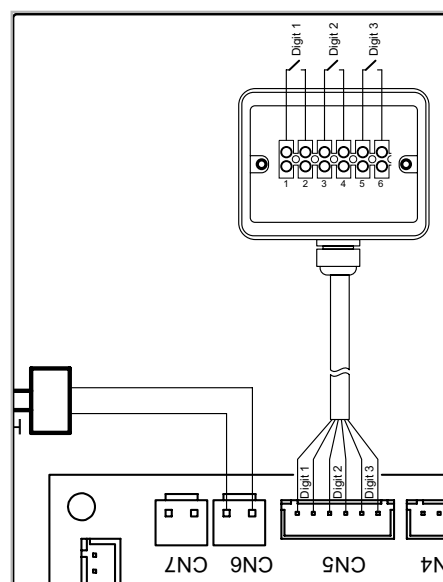


fig. 25

To access the 6-core cable for remote connection, remove the upper cover of the boiler and run to the outside the cable, already present inside the unit, through the special cable gland installed in the back cover.

6.8 Wiring diagram

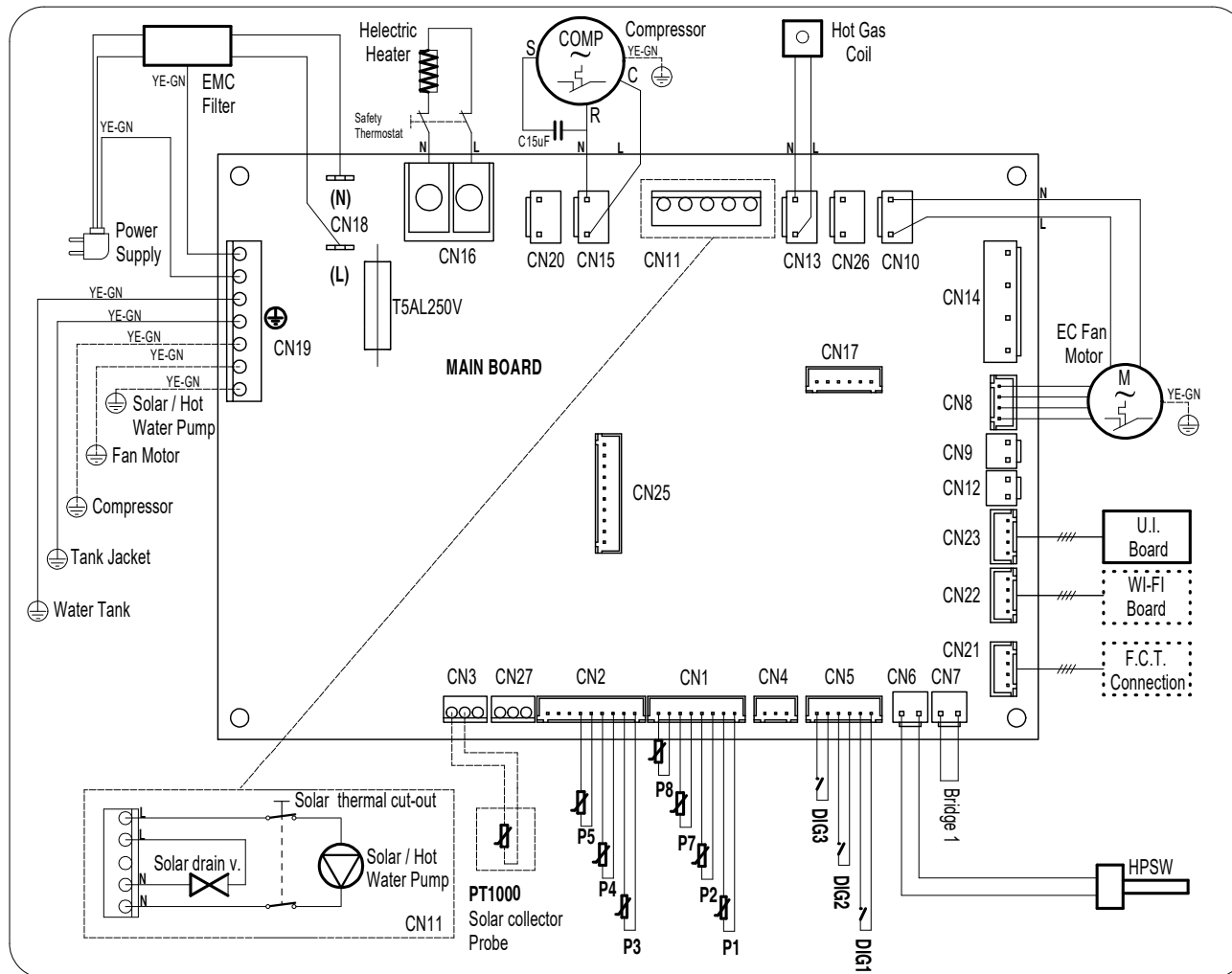


fig. 26- Equipment wiring diagram

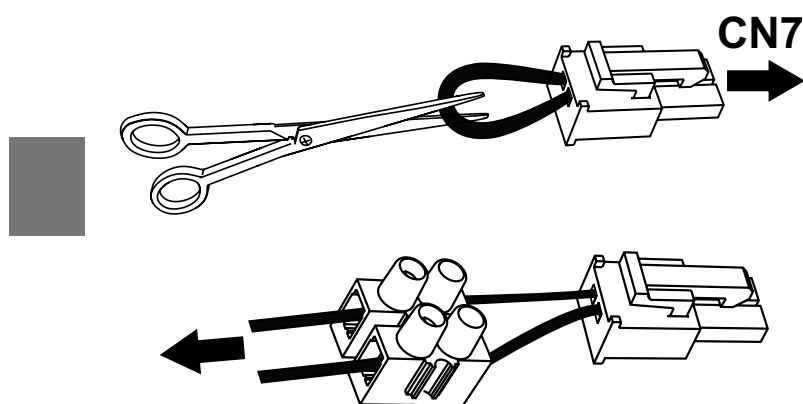
Description of connections available on the power board

CN1	Air, defrost and water NTC probes	CN14	Not usable
CN2	Not usable	CN15	Compressor power supply
CN3	Probe for solar thermal management - <i>Only for models PCV3</i>	CN16	Heating element power supply
CN4	Not usable	CN17	Not usable
CN5	Solar digital inputs, PV, Off-peak	CN18	Main power supply 230 V - 1 PH - 50 Hz
CN6	High pressure switch	CN19	Earth connections
CN7	Flow switch for solar thermal/DHW circulating pump (not supplied)	CN20	230 Vac power supply for impressed current anode converter
CN8	Electronic fan PWM control (EC)	CN21	Connection with end of line inspection/test
CN9+CN12	Not usable	CN22	WI-FI card connection (not supplied)
CN10	Fan power supply EC, AC	CN23	User interface connection
CN11	Solar thermal/DHW circulating pump (ON/OFF type), drain valve or solar collector shutter - <i>Only for models PCV3</i>	CN25	Not usable
CN13	Hot gas defrost valve power supply		

To connect a safety flow switch for the solar thermal/hot water recirculation circuit to the equipment, proceed as follows (reserved only for qualified technical personnel):

- Disconnect the power to the equipment.
- Remove the top cover of the equipment and then the power board cover.
- Disconnect the "jumper" (bridge 1) from connector CN7 of the power board, then cut the conductor forming the bridge in the middle and connect a suitable terminal.
- Then connect a normally-closed (N.C.) type flow switch and connect everything to CN7.
- Reassemble all the plastics and make sure the equipment is correctly installed before powering it.

If, instead, a normally-open (N.O.) type flow switch is used, it is necessary to set the parameter **P15 = 1** (see par.8.1).



To connect the thermal cut-off (supplied) for the solar circulation pump, proceed as follows (reserved only for qualified technical personnel):

- Disconnect the power to the appliance;
- Put the bulb fully inside the dedicated tank pit ("A") and close the cable gland;
- Unwind the capillary enough is necessary to place the thermal cut-out inside an adequate enclosure fixed to the wall;
- Connect the thermal cut-out in series with line ("L") and neutral ("N") power-supply connections of solar circulating pump, for all-pole disconnection.
- Verify all connections before power-supply the appliance.

7. DESCRIPTION OF USER INTERFACE AND OPERATION OF EQUIPMENT

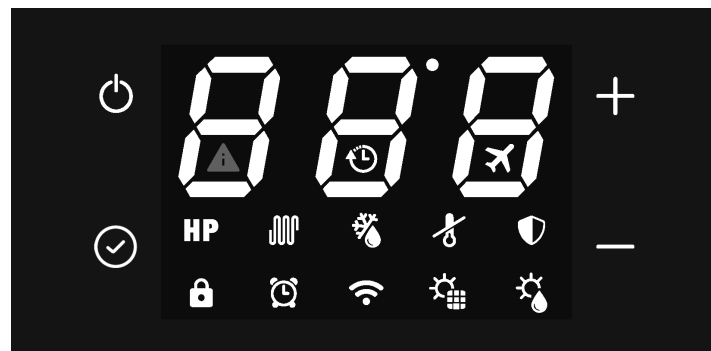


fig. 27

Description	Symbol
"On/Off" button for switching on, putting the product in standby mode, unlocking buttons, saving changes	
"Set" button to edit the parameter value, confirm;	
"Increase" button to increase the set-point value, parameter or password	
"Decrease" button to decrease the set-point value, parameter or password	
Heat pump operation (ECO mode)	HP
Heating element operation (ELECTRIC mode)	
AUTOMATIC mode	HP +
BOOST mode (symbols flash)	HP +
Button lock active	
Defrost	
Frost protection	
Anti-legionella cycle	
Holiday mode;	
Operation with time bands	
Clock setting (symbol flashes)	
Connected with WI-FI (not available for these models)	
Photovoltaic mode (with symbol flashing the supplement is not active)	
Solar thermal mode (with symbol flashing the supplement is not active)	
Fault or protection active	
Off-Peak mode (with symbol flashing the equipment remains on standby)	

The user interface of this water heater model consists of four capacitive buttons, and a LED display.

As soon as the water heater is powered the four buttons are backlit and all the icons and display segments light up simultaneously for 3 s.

During normal operation of the product the three digits on the display show the water temperature in °C, measured with the upper water probe if parameter P11 is set to 1 or with the lower water probe if P11 = 0.

During modification of the selected operating mode set-point, the set-point temperature is shown on the display.

The icons indicate the selected operating mode, the presence or not of alarms, Wi-Fi connection status, and other information on product status.

7.1 Turning the water heater on and off and unlocking the buttons

When the water heater is correctly powered it can be "ON" and, therefore, in one of the available operating modes (ECO, Automatic, etc.) or in standby mode.

During standby mode the four capacitive buttons are backlit for easy visibility, the Wi-Fi icon is lit up according to the connection status with an external Wi-Fi router (not supplied) and, in the absence of alarms or frost protection active, all other icons as well as the segments of the three digits are off.

Turning on

With the water heater in standby mode and "button lock" function active (padlock icon at the bottom left lit up), it is necessary to first "unlock" the buttons by pressing the ON/OFF button for at least 3 seconds (the padlock icon goes off), then press the ON/OFF button again for 3 seconds to turn on the water heater.



Turning off


With the water heater on and "button lock" function active, it is necessary to first "unlock" the buttons by pressing the ON/OFF button for at least 3 seconds, then press the ON/OFF button again for 3 seconds to turn off the water heater (putting in standby mode).

In any status, 60 seconds after the last press of any of the four user interface buttons, the button lock function is automatically activated to prevent possible interactions with the water heater, e.g. by children, etc. At the same time the backlighting level of the buttons and display decreases to reduce the unit's energy consumption.

By pressing any of the four buttons, the backlighting of the buttons and display will immediately return to its normal level for better visibility.

7.2 Setting the clock

With the buttons unlocked, press the button  for 3 seconds to access the clock settings (the symbol  flashes).

Set the time with the "+" and "-" buttons, press " " to confirm and then set the minutes.



Press the button  to confirm and exit.


7.3 Setting time bands


The equipment clock must be set before activating the time bands.


Select the desired operating mode then set the time bands.


The time bands can be activated only in the ECO - AUTOMATIC - BOOST - ELECTRIC and VENTILATION modes.

With the buttons released, press th button  and "-" button together for 3 seconds to set the time bands (the symbol  is displayed).

Set the switch-on time using the "+" and "-" buttons, press " " to confirm and then set the On minutes.




Press  to confirm and go to switch-off time setting.

Press  to confirm, then, using the "+" and "-" buttons, select the desired operating mode for the time band (ECO, AUTOMATIC, BOOST, ELECTRIC, VENTILATION).

Press  to confirm and exit.


Note: At the end of the time band the equipment goes to standby mode and remains there until repetition of the time band the next day



To deactivate the time bands:

- set the on and off times to midnight (00:00);
- press  to confirm;
- press button  and "-" button together for 3 seconds (the symbol  goes off).

7.4 Setting the hot water set-point

It is possible to adjust the hot water set-point in the ECO, AUTOMATIC, BOOST and ELECTRIC modes

Select the desired mode with the button , then adjust the set-point with the "+" and "-" buttons.

Press the button  to confirm and  to exit.


Mode	Hot water set-point	
	Range	Default
ECO	43-62°C	55°C
AUTOMATIC	43-62°C	55°C
BOOST	43-75°C*	55°C
ELECTRIC	43-75°C	55°C

* In BOOST mode the maximum set-point value for the heat pump is 62°C. Therefore, by setting a higher value this is to be considered only for the heating element.

7.5 OPERATING MODE

The following modes are available for this water heater:

- ECO;
- BOOST;
- ELECTRIC;
- VENTILATION;
- HOLIDAY;
- AUTOMATIC.

The equipment is set in ECO mode; pressing this button  it is possible to select the desired mode.

For the ECO, BOOST and AUTOMATIC modes, by pressing button “+” and “-” simultaneously for 3 seconds, it is possible to activate the “silent mode” (for example during the night) which reduces the noise of the equipment; in this condition, performance in terms of water heating rate may be lower. To deactivate this mode, press buttons “+” and “-” again for 3 seconds.

7.5.1 ECO

The display shows the symbol **HP**

With this mode only the heat pump is used within the product operating limits to ensure maximum possible energy saving. The heat pump is switched on 5 minutes after selecting this mode or from the last switch-off.

In case of switching off, within the first 5 minutes, the heat pump will remain on anyway to ensure at least 5 minutes of continuous operation.

7.5.2 BOOST

The display shows the symbols **HP + ** flashing.


This mode uses the heat pump and the heating element, within the product operating limits, to ensure faster heating.

The heat pump is switched on 5 minutes after selecting this mode or from the last switch-off.

In case of switching off, within the first 5 minutes, the heat pump will remain on anyway to ensure at least 5 minutes of continuous operation.

The heating element is switched on immediately.

7.5.3 ELECTRIC

The display shows the symbol .

With this mode only the heating element is used within the product operating limits and is useful in situations of low inlet air temperatures.

7.5.4 VENTILATION

The display shows the message **FAN**.


With this mode only the electronic fan inside the device is used and is useful for recirculating the air in the installation room if desired.

In automatic mode the fan will be adjusted to the minimum speed.

7.5.5 HOLIDAY


The display shows the symbol .

This mode is useful when away for a limited time and then automatically finding the device working in automatic mode.

Using buttons + and - it is possible to set the days of absence during which you want the equipment to remain in stand-by. Press  and then on off to confirm.



7.5.6 AUTOMATIC

The display shows the symbol **HP + **.

With this mode the heat pump is used and, if necessary, also the heating element, within the product operating limits, to ensure best possible comfort.

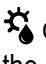
The heat pump is switched on 5 minutes after selecting this mode or from the last switch-off.


In case of switching off, within the first 5 minutes, the heat pump will remain on anyway to ensure at least 5 minutes of continuous operation.

7.6 ADDITIONAL FEATURES

7.6.1 Solar Mode **HP +** or **HP + +** or **+** (Only for models PCV3)


When the solar mode is activated from the installer menu, only ECO - AUTOMATIC - HOLIDAY will be available.


When the symbol  on the display flashes, the solar mode is not operating and the unit works in the set mode: ECO, AUTOMATIC or HOLIDAY.

When the symbol  on the display is lit up, the energy produced by the solar system is used to heat the water inside the tank via the solar coil.

7.6.2 Photovoltaic mode **HP** + or **HP** + + or +

When the photovoltaic mode is activated from the installer menu, only ECO - AUTOMATIC - HOLIDAY will be available.

When the symbol  on the display flashes, the photovoltaic mode is not operating and the unit works in the set mode: ECO, AUTOMATIC or HOLIDAY.


When the symbol  on the display is lit up, the energy produced by the photovoltaic system is used to heat the water inside the tank.

With ECO mode selected, the heat pump will operate until the set-point is reached and the heating element is switched on until the photovoltaic set-point set from the installer menu is reached.

Otherwise, with AUTOMATIC mode selected, the heating element can also be switched on before reaching the set-point of this mode if the conditions require it.

7.6.3 Off-Peak Mode **HP** + or **HP** + +

When the photovoltaic mode is activated from the installer menu, only ECO - AUTOMATIC will be available.

When the symbol  on the display flashes, the Off-Peak mode is not operating and the unit remains on standby and the heat pump and heating element are off.

Otherwise, when the symbol  on the display is lit up, the unit works in the ECO or AUTOMATIC mode.

7.6.4 Anti-Legionella

The display shows the symbol .

Every two weeks, at the set time, a water heating cycle is carried out by means of the heating element inside the tank, up to the anti-legionella temperature, maintaining it for the set time.

If, on reaching the anti-legionella temperature, the cycle is not performed correctly within 10 hours, it is stopped and will be run again after 2 weeks.

If the request for the anti-legionella function occurs with HOLIDAY mode selected, the anti-legionella cycle will be carried out immediately when the unit is reactivated after the set days of absence.

Anti-legionella parameters	Range	Default
Anti-legionella temperature set-point (P3)	50÷75°C	75°C
Anti-legionella cycle duration (P4)	0÷90 min	30 min
Anti-legionella cycle activation time (P29)	0÷23 h	23 h

7.6.5 Defrost function

The display shows the symbol .

This device has an automatic evaporator defrost function which is activated, when the operating conditions require it, during heat pump operation.

Defrosting occurs through the injection of hot gas into the evaporator, allowing it to be rapidly defrosted.

During defrosting, the heating element, which the equipment is provided with, is switched off unless otherwise set via the installer menu (parameter P6).

The max. duration of defrosting is 8 minutes.

7.6.6 Frost protection













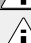
The display shows the symbol .

This protection prevents the water temperature inside the tank from reaching values close to zero.

With the equipment in standby mode, when the water temperature inside the tank is below or equal to 5°C (parameter configurable via installer menu), the frost protection function activates, which switches on the heating element until 12°C is reached (parameter configurable via installer menu)..

7.7 Faults/protection

This equipment has a self-diagnosis system that covers some possible faults or protections from anomalous operating conditions through: detection, signaling and adoption of an emergency procedure until resolution of the fault.

Fault/Protection	Error code	Display indication
Tank lower probe fault	P01	 + P01
Tank upper probe fault	P02	 + P02
Defrost probe fault	P03	 + P03
Inlet air probe fault	P04	 + P04
Evaporator inlet probe fault	P05	 + P05
Evaporator outlet probe fault	P06	 + P06
Compressor flow probe fault	P07	 + P07
Solar collector probe fault	P08	 + P08
High pressure protection	E01	 + E01
Solar/recirculation circuit alarm	E02	 +E02
Temperature not suitable for heat pump operation alarm (With alarm active the water is heated only with heating element)	PA	 +PA
No communication (with alarm active the equipment does not work)	E08	 + E08
Electronic fan fault	E03	 + E03

In case of any of the above faults, it is necessary to contact the manufacturer's technical assistance service, indicating the error code shown on the display.

8. COMMISSIONING



ATTENTION! Check that the equipment has been connected to the ground wire.



ATTENTION! Check that the line voltage is that indicated on the equipment rating plate.



CAUTION: The appliance can only be turned on after it has been filled with water.

Proceed with the following operations for commissioning:

- Once the appliance is installed and all connections are performed (aeraulic, hydraulic, electrical, etc), it must be filled with water from the domestic water supply network. In order to fill the appliance, it is necessary to open the central tap of the domestic network supply and the nearest hot water tap, while making sure that all the air in the tank is gradually expelled.
- Do not exceed the max. permissible pressure indicated in the "general technical data" section.
- Check the water circuit safety devices.
- Plug the unit into the power outlet.
- When the plug is inserted, the boiler is in standby mode, the display remains off, the power button lights up.
- Press the ON/OFF button, the unit is activated in "ECO" mode (factory setting).

In case of a sudden power outage, when restored the equipment will restart from the operating mode prior to the interruption.

8.1 Query, editing operating parameters

This equipment has two distinct menus, respectively, for consulting and editing the operating parameters (see "8.1.1 List of equipment parameters").

With the equipment operating, the parameters can be freely consulted at any time by unlocking the buttons (see "7.1 Turning the water heater on and off and unlocking the buttons") and pressing the "☺" and "+" buttons together for 3 seconds. The label of the first parameter is shown on the display with the letter "A". Pressing the "+" button displays its value and, pressing this button again, the label of the second parameter "B" is displayed, and so on.

The entire parameter list can then be scrolled forward/back with the "+" and "-" buttons.

Press the "ON/OFF" button to exit.

Editing one or more operating parameters can only be done with the equipment in standby mode and requires the password to be entered.



NB! "Use of the password is reserved for qualified personnel; any consequences due to incorrect parameter settings will be the sole responsibility of the customer. Therefore, any interventions requested by the customer from an authorized technical assistance center DAIKIN during the standard warranty period, for product problems due to incorrect settings of password-protected parameters, will not be covered by the standard warranty."

With buttons unlocked, **only in standby mode**, press the "☺" and "+" buttons together for 3 seconds to access the equipment parameter editing menu (password protected: 35). The display shows the two digits "00". Press the "☺" button. The digit "0" on the left flashes and with "+" and "-" select the first number to enter (3) and press "☺" to confirm. Proceed in the same way for the second digit (5).

If the password is correct, the parameter P1 is displayed. Pressing the "+" button displays the default value of this parameter which can be changed by pressing ☺, and using the "+" and "-" buttons it is possible to change the value within the permissible range for this parameter. Then press ☺ to confirm and the "+" button to continue with the other parameters.

After editing the desired parameters, press the on/off button to save and exit.

The equipment now returns to standby mode.

8.1.1 List of equipment parameters

Parameter	Description	Range	Default	Notes
A	Lower water temperature probe	-30÷99°C	Measured value	Not modifiable
B	Upper water temperature probe	-30÷99°C	Measured value	Not modifiable
C	Defrosting temperature probe	-30÷99°C	Measured value	Not modifiable
D	Supply-air temperature probe	-30÷99°C	Measured value	Not modifiable
E	Evaporator inlet gas temperature probe	-30÷99°C	Measured value / "0°C" if P33 = 0	Not modifiable (1)
F	Evaporator outlet gas temperature probe	-30÷99°C	Measured value / "0°C" if P33 = 0	Not modifiable (1)
G	Compressor discharge gas temperature probe	0÷125°C	Measured value / "0°C" if P33 = 0	Not modifiable (1)
H	Solar collector temperature probe (PT1000)	0÷150°C	Measured value / "0°C" if P16 = 2	Not modifiable (2)
I	EEV opening step	30÷500	Measured value / P40 value if P39 = 1	Not modifiable (1)
J	Power-board firmware version	0÷99	Current value	Not modifiable
L	User-interface firmware version	0÷99	Current value	Not modifiable
P1	Hysteresis on lower water probe for heat-pump working	2÷15°C	7°C	Modifiable
P2	Electrical heater switching-on delay	0÷90 min	6 min	Function excluded
P3	Antilegionella setpoint temperature	50°C÷75°C	75°C	Modifiable
P4	Antilegionella duration	0÷90 min	30 min	Modifiable
P5	Defrosting mode	0 = compressor stop 1 = hot-gas	1	Modifiable
P6	Electrical heater usage during defrosting	0 = OFF 1 = ON	0	Modifiable
P7	Delay between two consecutive defrosting cycle	30÷90 min	60 min	Modifiable
P8	Temperature threshold for defrosting start	-30÷0°C	-5°C	Modifiable
P9	Temperature threshold for defrosting stop	2÷30°C	3°C	Modifiable
P10	Maximum defrosting duration	3min÷12min	10 min	Modifiable
P11	Water temperature probe value shown on the display	0 = lower 1 = upper	1	Modifiable
P12	External pump usage mode	0 = always OFF 1 = hot-water recirculation 2 = Thermal solar system	1	Modifiable
P13	Hot-water recirculation pump working mode	0 = with heat-pump 1 = always ON	0	Modifiable
P14	Type of evaporator fan (EC; AC; AC with double speed; EC with dynamic speed control)	0 = EC 1 = AC 2 = AC with double speed 3 = EC with dynamic speed control	3	Modifiable
P15	Type of safety flow switch for hot / solar water recirculation circuit, low pressure selection switch	0 = NC 1 = NO 2 = low pressure selection switch	0	Modifiable
P16	Solar mode integration	0 = permanently deactivated 1 = working with DIG1 2 = Direct control of thermal solar system	0	Modifiable (2)
P17	Heat-pump starting delay after DIG1 opening	10÷60min	20 min	Modifiable (2)
P18	Lower water probe temperature value to stop the heat-pump in solar mode integration = 1 (working with DIG1)	20÷60°C	40°C	Modifiable (2)
P19	Hysteresis on lower water probe to start the pump in solar mode integration = 2 (direct control of thermal solar system solar)	5÷20°C	10°C	Modifiable (2)

Parameter	Description	Range	Default	Notes
P20	Temperature threshold for solar drain valve / solar collector roll-up shutter action in solar mode integration = 2 (direct control of thermal solar system solar)	100÷150°C	140°C	Modifiable (2)
P21	Lower water probe temperature value to stop the heat-pump in photovoltaic mode integration	30÷70°C	62°C	Modifiable
P22	Upper water probe temperature value to stop the electrical heater in photovoltaic mode integration	30÷80°C	75°C	Modifiable
P23	Photovoltaic mode integration	0 = permanently deactivated 1 = activated	0	Modifiable
P24	Off-peak working mode	0 = permanently deactivated 1 = activated with ECO 2 = activated with AUTO	0	Modifiable
P25	Offset value on upper water temp probe	-25÷25°C	2°C	Modifiable
P26	Offset value on lower water temp probe	-25÷25°C	2°C	Modifiable
P27	Offset value on air-inlet temp probe	-25÷25°C	0°C	Modifiable
P28	Offset value on defrosting temp probe	-25÷25°C	0°C	Modifiable
P29	Antilegionella starting hour	0÷23 hours	23 hours	Modifiable
P30	Hysteresis on upper water probe for electrical heater working	2÷20°C	7°C	Modifiable
P31	Heat-pump working period in AUTO mode for heating rate calculation	10÷80 min	30 min	Modifiable
P32	Temperature threshold for electrical heater usage in AUTO mode	0÷20°C	4°C	Modifiable
P33	Electronic-expansion valve (EEV) control	0 = permanently deactivated 1 = activated	1	Modifiable (1)
P34	Superheating calculation period for EEV automatic control mode	20÷90s	30 s	Modifiable (1)
P35	Superheating setpoint for EEV automatic control mode	-8÷15°C	4°C	Modifiable (1)
P36	Desuperheating setpoint for EEV automatic control mode	60÷110°C	88°C	Modifiable (1)
P37	EEV step opening during defrosting mode (x10)	5÷50	15	Modifiable (1)
P38	Minimum EEV step opening with automatic control mode (x10)	3~45	9	Modifiable (1)
P39	EEV control mode	0= automatic 1 = manual	0	Modifiable (1)
P40	Initial EEV step opening with automatic control mode / EEV step opening with manual control mode (x10)	5÷50	25	Modifiable (1)
P41	AKP1 temperature threshold for EEV KP1 gain	-10÷10°C	-1	Modifiable (1)
P42	AKP2 temperature threshold for EEV KP2 gain	-10÷10°C	0	Modifiable (1)
P43	AKP3 temperature threshold for EEV KP3 gain	-10÷10°C	0	Modifiable (1)
P44	EEV KP1 gain	-10÷10	2	Modifiable (1)
P45	EEV KP2 gain	-10÷10	2	Modifiable (1)
P46	EEV KP3 gain	-10÷10	1	Modifiable (1)
P47	Maximum allowed inlet temperature for heat-pump working	38÷43°C	43°C	Modifiable
P48	Minimum allowed inlet temperature for heat-pump working	-10÷10°C	-7°C	Modifiable

Parameter	Description	Range	Default	Notes
P49	Threshold on inlet temperature for evaporator EC or AC with double speed blower speed setting	10÷40°C	25°C	Modifiable
P50	Antifreeze lower water temperature setpoint	0÷15°C	12°C	Modifiable
P51	Evaporator EC blower higher speed setpoint	60÷100%	90%	Modifiable
P52	Evaporator EC blower lower speed setpoint	10÷60%	50%	Modifiable
P53	EC evaporator fan defrost speed setpoint	0÷100%	50%	Modifiable
P54	Low pressure switch bypass time	1÷240 min	1	Modifiable
P55	Band 1 evaporator temperature proportional regulation	1÷20°C	4°C	Modifiable
P56	Differential temperature with activation of maximum speed	P57÷20°C	2°C	Modifiable
P57	Differential temperature with deactivation of maximum speed	1°C÷P56	1°C	Modifiable
P58	Use of the evaporator fan with the compressor off	0 = OFF 1 = ON with manual speed control 2 = ON with automatic speed control	0	Modifiable
P59	Evaporator fan speed (EC) with compressor off	0÷100%	40%	Modifiable
P60	Temperature difference 1 of evaporation of the air for the calculation of the setpoint	1÷25°C	4°C	Modifiable
P61	Temperature difference 2 of evaporation of the air for the calculation of the setpoint	1÷25°C	2°C	Modifiable
P62	Temperature difference 3 of evaporation of the air for the calculation of the setpoint	1÷25°C	6°C	Modifiable
P63	Temperature difference 4 of evaporation of the air for the calculation of the setpoint	1÷25°C	3°C	Modifiable
P64	Temperature difference 5 of evaporation of the air for the calculation of the setpoint	1÷25°C	10°C	Modifiable
P65	Temperature difference 6 of evaporation of the air for the calculation of the setpoint	1÷25°C	18°C	Modifiable
P66	Band 2 evaporator temperature proportional regulation	1÷20°C	2°C	Modifiable
P67	Band 3 evaporator temperature proportional regulation	1÷20°C	9°C	Modifiable
P68	Band 4 evaporator temperature proportional regulation	1÷20°C	5°C	Modifiable
P69	Band 5 evaporator temperature proportional regulation	1÷20°C	10°C	Modifiable
P70	Band 6 evaporator temperature proportional regulation	1÷20°C	5°C	Modifiable
P71	EC evaporator fan speed reduction for silent mode	0÷40%	15%	Modifiable
P72	EC fan speed regulator gain	1÷100	5	Modifiable

(1) = NOT USABLE FOR THIS DEVICE

(2) = ONLY FOR MODELS "EKHHE200PCV37, EKHHE260PCV37"

9. TROUBLESHOOTING



CAUTION: Do not attempt to repair your appliance Yourself.
The following checks are reserved for qualified personnel only.

Fault	Recommended action
The equipment does not switch on	<ul style="list-style-type: none">• Check that the product is actually powered by the mains.• Disconnect the equipment then reconnect it after a few minutes.• Check the power cable inside the product.• Check that the fuse on the power board is intact. If not, replace it with an IEC-60127-2/II certified time-delay 5 A fuse.
Water cannot be heated via the heat pump in ECO or AUTOMATIC mode	<ul style="list-style-type: none">• Switch the equipment off, then switch it on again after a few hours.• Disconnect the equipment from the mains, drain part of the water contained in the tank (approx. 50%) then refill it and switch the equipment on again in ECO mode.
The heat pump remains on without ever stopping	<ul style="list-style-type: none">• Without drawing hot water from the product, check that in a few hours heating via heat pump occurs positively.
Water cannot be heated via the integrated heating element in AUTOMATIC mode	<ul style="list-style-type: none">• Switch off the equipment and check the safety thermostat of the heating element inside the equipment and reset it if necessary. Then switch on the equipment in AUTOMATIC mode.• Disconnect the equipment from the mains, drain part of the water contained in the tank (approx. 50%) then refill it and switch the equipment back on again in AUTOMATIC mode.• Access the installer menu and increase the value of parameter P32, e.g. to 7°C.• Check that the heating element safety thermostat has not intervened (see 9.2)

9.1 Power board fuse replacement

Proceed as indicated below (reserved for qualified technical personnel only):

- Disconnect the power to the equipment.
- Remove the top cover of the equipment and then the power board cover.
- Remove the fuse cap, then the fuse, using a suitable screwdriver.
- Install a new IEC-60127-2/II certified time-delay 5 A fuse (T5AL250V), then refit the protective cap.
- Reassemble all the plastics and make sure the equipment is correctly installed before powering it.

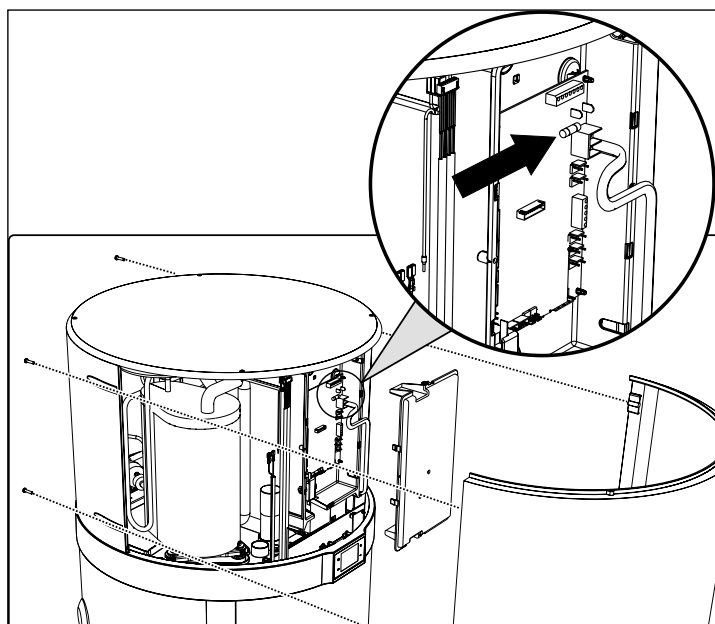


fig. 28

9.2 Heating element safety thermostat reset

This equipment has a manual-reset safety thermostat connected in series with the heating element immersed in water, which interrupts the power supply in case of overtemperature inside the tank.

If necessary, proceed as follows to reset the thermostat (reserved for qualified technical personnel):

- Unplug the product.
- Remove any air ducts.
- Remove the top cover by first undoing the locking screws (fig. 29).
- Remove the front panel and manually reset the tripped safety thermostat (fig. 30). In case of intervention, the central pin of the thermostat comes out by about 2 mm.

- Refit the previously removed top cover.

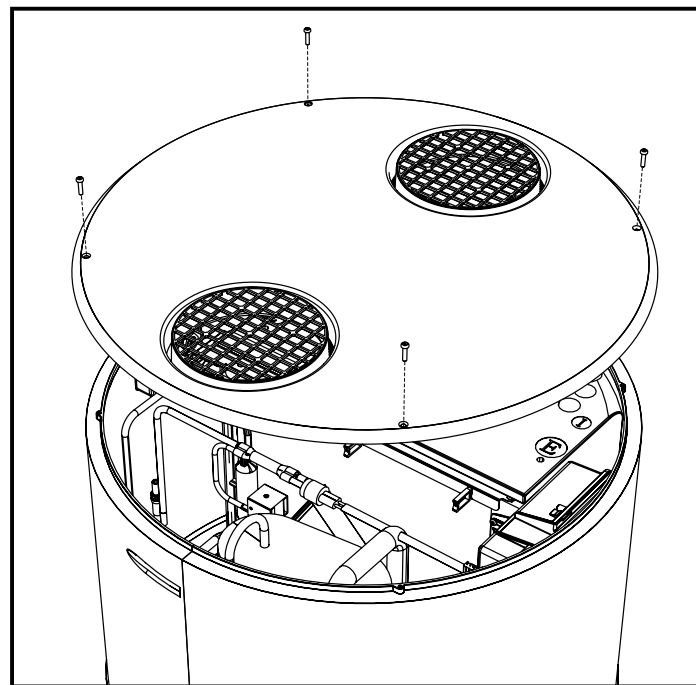


fig. 29- Top cover removal

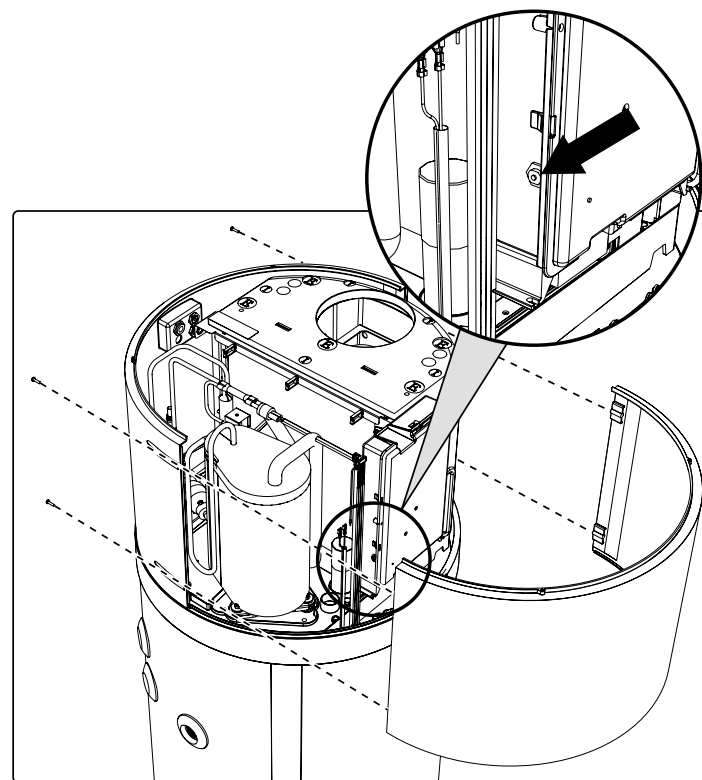


fig. 30- Front panel removal

! **ATTENTION!** Intervention of the safety thermostat can be caused by a fault linked to the control board or by no water inside the tank.

! **ATTENTION!** Carrying out repair work on parts with safety function compromises safe operation of the equipment. Replace faulty parts with original spare parts only.

! **NB!** Intervention of the thermostat excludes operation of the heating element but not the heat pump system within the permitted operating limits.

! **ATTENTION!** If the operator is unable to eliminate the fault, switch off the equipment and contact the Technical Assistance Service, communicating the model of the product purchased.

10. MAINTENANCE

! **ATTENTION!** Any repairs to the equipment must be carried out by qualified personnel. Improper repairs can put the user in serious danger. If your equipment needs any repair, contact the service center.

! **ATTENTION!** Before undertaking any maintenance operation make sure the equipment is not and cannot accidentally be electrically powered. Therefore, disconnect the power at every maintenance or cleaning operation.

10.1 Sacrificial anode check/replacement

The magnesium (Mg) anode, also called "sacrificial" anode, prevents any eddy currents generated inside the boiler from triggering surface corrosion processes.

In fact, magnesium is a weakly charged metal compared to the material of which the inside of the boiler is coated, therefore it attracts first the negative charges that form with the heating of water, consuming itself. The anode therefore "sacrifices" itself by corroding itself instead of the tank. The boiler has two anodes, one fitted in the lower part of the tank and one fitted in the upper part of the tank (area more subject to corrosion).

The integrity of the Mg anodes must be checked at least every two years (preferably once a year). The operation must be performed by qualified personnel.

Before doing the check:

- Close the cold water inlet.
- Proceed with emptying the boiler (see par. "10.2 Boiler emptying").
- Unscrew the upper anode and check its corrosion; if the corrosion affects more than 2/3 of the anode surface proceed with replacement.

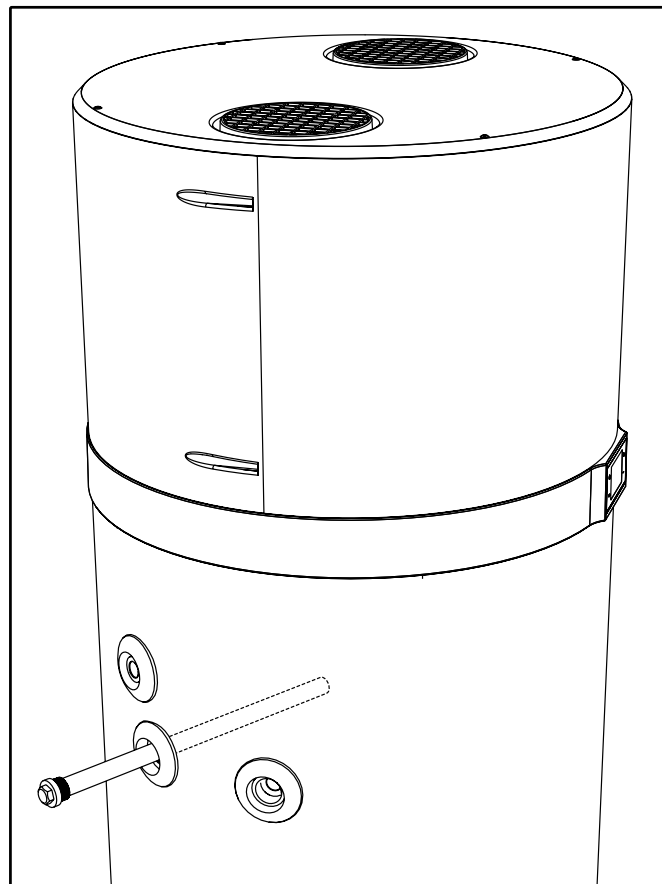


fig. 31

The anodes have a special sealing gasket, to prevent water leaks; it is advisable to use anaerobic thread sealant compatible for use in heating-plumbing systems. The gaskets must be replaced with new ones in case of checking and also anode replacement.

10.2 Boiler emptying

If not in use, especially in case of low temperatures, it is advisable to drain the water inside the boiler.

For the equipment in question, just detach the water inlet connection (see par. "6.5 Hydraulic connections"). Alternatively, when setting up the system, it is advisable to install a drain cock fitted with a hose connection.

! **NB!** In case of low temperatures, remember to empty the system to avoid freezing.

11. DISPOSAL

At the end of use, the heat pumps must be disposed of in compliance with current regulations.



ATTENTION! This equipment contains fluorinated greenhouse gases included in the Kyoto protocol. Maintenance and disposal operations must be carried out only by qualified personnel.

INFORMATION FOR USERS



Pursuant to Directives 2011/65/EU and 2012/19/EU on the restriction of the use of hazardous substances in electrical and electronic equipment, as well as the disposal of waste.

The crossed-out bin symbol on the equipment or on its packaging indicates that, at the end of its useful life, the product must be collected separately from other waste.

Therefore, at the end of its life, the user must give the equipment to the appropriate recycling centers for electrical and electronic equipment, or return it to the dealer when purchasing new, equivalent type equipment, on a one-to-one basis.

Adequate separate waste collection for subsequent sending of the decommissioned equipment to environmentally compatible recycling, treatment and/or disposal helps prevent negative effects on the environment and health and favors the reuse and/or recycling of the materials that make up the equipment.

Unauthorized disposal of the product by the user involves the application of the administrative sanctions provided for by current legislation.

The main materials that make up the equipment in question are:

- steel
- magnesium
- plastic
- copper
- aluminum
- polyurethane

12. PRODUCT SHEET

Descriptions	u.m.	EKHHE200CV37	EKHHE260CV37	EKHHE200PCV37	EKHHE260PCV37
Declared load profile	-	L	XL	L	XL
Water heater thermostat temperature settings	°C	55	55	55	55
Water heating energy efficiency class ⁽¹⁾	-	A+	A+	A+	A+
Water heating energy efficiency - η_{wh} ⁽¹⁾	%	135	138	135	138
COP _{DHW} ⁽¹⁾	-	3.23	3.37	3.23	3.37
Annual electricity consumption - AEC ⁽¹⁾	kWh	761	1210	761	1210
Water heating energy efficiency - η_{wh} ⁽²⁾	%	106	112	106	112
COP _{DHW} ⁽²⁾	-	2.55	2.73	2.55	2.73
Annual electricity consumption - AEC ⁽²⁾	kWh	844	1496	944	1496
Water heating energy efficiency - η_{wh} ⁽³⁾	%	162	160	162	160
COP _{DHW} ⁽³⁾	-	3.89	3.9	3.89	3.9
Annual electricity consumption - AEC ⁽³⁾	kWh	631	1046	631	1046
Indoor sound power level ⁽⁴⁾	dB (A)	53	51	53	51
Outdoor sound power level ⁽⁴⁾	dB (A)	45	44	45	44
The water heater can work during off-peak hours only	-	NO	NO	NO	NO
Any specific precautions that shall be taken when the water heater is assembled, installed or maintained	-	See manual			

(1): Data according to EN 16147: 2017 standard for AVERAGE climate (unit in ECO mode; Inlet water = 10 °C; Inlet air temp = 7 °C DB / 6 °C WB)

(2): Data according to EN 16147: 2017 standard for COLDER climate (unit in ECO mode; Inlet water = 10 °C; Inlet air temp = 2 °C DB / 1 °C WB)

(3): Data according to EN 16147: 2017 standard for WARMER climate (unit in ECO mode; Inlet water = 10 °C; Inlet air temp = 14 °C DB / 13 °C WB)

(4): Data according to EN 12102-2: 2019 ECO mode with Inlet air temp = 7 °C DB / 6 °C WB

1. ALLGEMEINE SICHERHEITSVORKEHRUNGEN	2
2. EINLEITUNG	6
2.1 Produkte	6
2.2 Gewährleistungsausschluss	6
2.3 Sprache	6
2.4 Urheberrecht.....	7
2.5 Verfügbare Versionen und Konfigurationen.....	7
3. UMGANG UND TRANSPORT	7
3.1 Empfang	7
4. KONSTRUKTIONSMERKMALE	9
4.1 Abmessungsdaten.....	10
4.2 Technische Merkmale.....	11
5. WICHTIGE INFORMATIONEN	12
5.1 Konformität mit europäischen Vorschriften.....	12
5.2 Einstufung des Gehäuseschutzes	12
5.3 Betriebsbeschränkungen.....	12
5.4 Betriebsbeschränkungen	12
5.5 Grundlegende Sicherheitsregeln.....	13
5.6 Informationen zum verwendeten Kältemittel	13
6. INSTALLATION UND ANSCHLÜSSE.....	13
6.1 Vorbereitung des Installationsorts	13
6.2 Sicherung am Boden	14
6.3 Luftanschlüsse.....	14
6.4 Sicherung und Anschlüsse des Geräts.....	16
6.5 Hydraulikanschlüsse	16
6.6 Integration in ein Solarthermiksystem (<i>nur für Modelle EKHHE200PCV37 und EKHHE260PCV37</i>).....	17
6.7 Elektrische Anschlüsse	18
6.8 Elektroschaltplan	20
7. BESCHREIBUNG DES RAUMBEDIENMODULS UND BEDIENUNG DES GERÄTS	21
7.1 Ein-/Ausschalten des Warmwasserbereiters und Entsperrn der Tasten.....	22
7.2 Einstellen der Uhr	22
7.3 Einstellen der Zeitphasen	22
7.4 Einstellen des Warmwasser-Sollwerts.....	22
7.5 Betriebsart	23
7.6 Zusatzfunktionen	24
7.7 Fehler/Schutz.....	25
8. INBETRIEBNAHME.....	26
8.1 Abrufen und Bearbeiten der Betriebsparameter	26
9. PROBLEMBEHEBUNG.....	30
9.1 Austauschen der Netzteilkartensicherung	31
9.2 Zurücksetzen des Heizelement-Sicherheitsthermostats.....	31
10. WARTUNG.....	32
10.1 Prüfung/Austausch der Opferanode.....	32
10.2 Ablassen des Kessels	32
11. ENTSORGUNG	33
12. PRODUKTDATENBLATT.....	33

1. ALLGEMEINE SICHERHEITSVORKEHRUNGEN

VORSICHT:

- Diese Anleitung ist integraler Bestandteil des Produkts. Bewahren Sie sie sorgfältig zusammen mit dem Gerät auf und übergeben Sie sie bei einem Eigentumswechsel an den nächsten Benutzer/Besitzer.
- Diese Anweisungen sind auch über den Kundendienst des Herstellers und dessen Website verfügbar: www.daikin.eu.
- Lesen Sie sich die Anweisungen und Warnungen in dieser Anleitung sorgfältig durch, da sie wichtige Informationen in Bezug auf die sichere Installation, Verwendung und Wartung enthalten.

SICHERHEITSWARNUNGEN

Verwenden Sie das Gerät ausschließlich für den angegebenen Zweck. Der Hersteller haftet nicht für Schäden, die durch eine unsachgemäße oder unkorrekte Verwendung oder durch die Nichtbeachtung der Anweisungen in dieser Anleitung entstehen.

Dieses Gerät ist nicht für die Verwendung durch Personen (einschließlich Kindern) mit eingeschränkten körperlichen, sensorischen oder geistigen Fähigkeiten oder Personen mit nicht ausreichender Erfahrung oder Wissen konzipiert, es sei denn, sie sind von einer Person, die für ihre Sicherheit verantwortlich ist, darin unterwiesen und zuvor in der Verwendung des Geräts überwacht worden.

Kinder müssen beaufsichtigt werden, um zu gewährleisten, dass sie das Gerät nicht als Spielzeug benutzen.

Dieses Gerät darf von Kindern ab 8 Jahren und von Personen mit eingeschränkten körperlichen, sensorischen oder geistigen Fähigkeiten oder mit mangelnden Kenntnissen und Erfahrungen verwendet werden, wenn sie ordnungsgemäß überwacht werden oder wenn sie Anweisungen zur sicheren Verwendung des Geräts erhalten haben und ihnen die damit verbundenen Risiken klar sind.

Kinder dürfen nicht mit dem Gerät spielen.

Wasser mit einer Temperatur von über 50°C kann sofortige schwerwiegende Verbrennungen verursachen, wenn es direkt an den Wasserhahn geleitet wird. Kinder, behinderte und ältere Personen sind besonders gefährdet. Es wird empfohlen, ein Thermostatmischventil an der Wasserzufuhrleitung zu installieren.

Dieses Gerät darf nicht ohne Beaufsichtigung von Kindern gereinigt oder gewartet werden.

Berühren Sie das Gerät nicht, wenn Sie barfuß sind oder ein Körperteil nass ist.

Lassen Sie keine entflammenden Materialien in Kontakt mit dem Gerät kommen und lassen Sie diese nicht in die Nähe des Geräts kommen.

Das Gerät muss geleert werden, wenn es in einem Gebiet mit Temperaturen unter Null für längere Zeit nicht verwendet wird. Lassen Sie es wie in dem entsprechenden Kapitel beschrieben ab.

VORSICHTSHINWEISE ZUR INSTALLATION

Das Gerät muss durch einen qualifizierten Techniker in Einklang mit den lokalen Gesetzen und Vorschriften in Bezug auf Gesundheit und Sicherheit installiert und in Betrieb genommen werden. Alle Stromkreise müssen ausgeschaltet werden, bevor Sie die Klemmenleiste öffnen.

Eine fehlerhafte Installation kann zu Sachschäden und Verletzungen bei Personen und Tieren führen. Die Hersteller übernehmen keine Haftung für die Folgen.

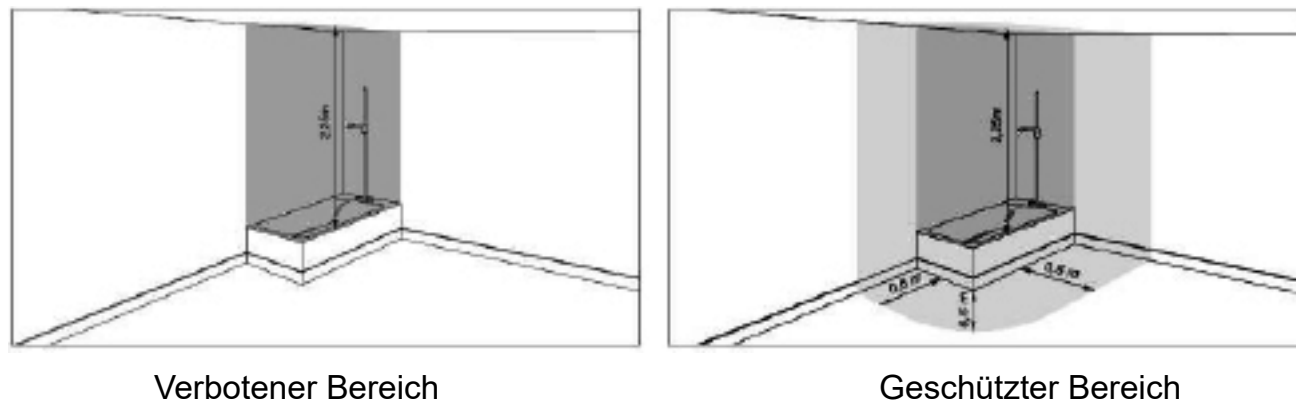
Dieses Produkt ist schwer. Gehen Sie vorsichtig damit um und installieren Sie das Gerät in einem frostfreien Raum.

Stellen Sie sicher, dass der Boden das Gewicht des mit Wasser gefüllten Geräts tragen kann.

Bei einer Zerstörung des Geräts durch Überdruck aufgrund einer Blockierung des Sicherheitsgeräts verfällt die Garantie.

WARNUNGEN ZUR INSTALLATION

Wenn dieses Produkt in einem Badezimmer installiert wird, nutzen Sie nicht den "Verbotenen Bereich" und beachten Sie zumindest den "Geschützten Bereich", der im Folgenden dargestellt ist:



Dieses Produkt muss in einem frei zugänglichen Bereich aufgestellt werden.

Der Warmwasserbereiter muss mit den Montagehalterungen, die zu diesem Zweck bereitgestellt werden, am Boden montiert werden. Klebematerial ist kein geeignetes Material für die Fixierung.

Dieses Produkt ist für eine Verwendung in einer maximalen Höhe von 2000 m konzipiert.

Beachten Sie die Beschreibung und Abbildungen in den Abschnitten 6.1, 6.2 und 6.4.

WARNUNGEN ZU DEN LUFTANSCHLÜSSEN

Die gleichzeitige Verwendung einer Feuerstelle mit einer offenen Kammer (z. B. eines offenen Kamins) und der Wärmepumpe verursacht einen gefährlichen Unterdruck im Raum. Der Unterdruck kann dazu führen, dass Abgase in den Raum zurückgeleitet werden. Bedienen Sie die Wärmepumpe nicht zusammen mit einer Feuerstelle mit einer offenen Kammer.

Verwenden Sie nur (genehmigte) Feuerstellen mit abgedichteter Kammer mit einer separaten Verbrennungsluftzufuhr.

Dichten Sie die Türen des Kesselraums ab, die keinen gemeinsamen Zufluss von Verbrennungsluft mit Wohnbereichen haben.

Ein geeignetes Schutzgitter muss sowohl an den Lufteinlass- als auch an den Auslassverbindungen angebracht werden, um zu verhindern, dass Fremdkörper in das Gerät gelangen.

Beachten Sie die Beschreibung und Abbildungen im Abschnitt "Luftanschlüsse", Abschnitt 6.3.

WARNUNGEN ZU DEN HYDRAULIKANSCHLÜSSEN

Es ist verpflichtend, am Wassereinlassrohr des Geräts ein geeignetes Gerät gegen Überdruck anzuschrauben (nicht mitgeliefert). In Ländern, in denen EN 1487 anerkannt ist, muss das Wassereinlassrohr des Geräts mit einem Sicherheitsgerät ausgestattet sein, das dem bereits erwähnten Standard entspricht.

Es muss neu sein, Abmessungen von 3/4 Zoll haben und auf einen Maximaldruck von 0,7 MPa kalibriert sein sowie mindestens einen Hahn, ein Rückschlagventil, ein Sicherheitsventil und einen hydraulischen Lastausschalter umfassen.

Dieses Sicherheitsgerät darf nicht verfälscht werden und muss so vorgesehen werden, dass es häufig bedient wird, um sicherzustellen, dass es nicht blockiert ist und um Kalk zu entfernen.

Das Wasser kann aus der Auslassleitung des Druckentlastungsgeräts tropfen und das Rohr muss für atmosphärische Einflüsse geöffnet sein. Die Auslassleitung, die am Abflussrohr angeschlossen ist, muss ein kontinuierliches Gefälle nach unten haben, und die Umgebung, in der es installiert wird, muss frostfrei sein.

Wenn der Einlasswasserdruck größer als 0,7 MPa (7 bar) ist, ist ein Druckminderer (nicht mitgeliefert) erforderlich, der nicht an der Hauptwasserleitung montiert werden darf.

Der minimal Einlasswasserdruck für die korrekte Bedienung des Geräts liegt bei 0,15 MPa (1,5 bar).

Schließen Sie eine Gummileitung an den Kondensatablauf an. Achten Sie dabei darauf, dass Sie dabei nicht zu viel Kraft anwenden, damit die Ablaufleitung nicht bricht, und beachten Sie Absatz "6.6.1".

Verwenden Sie sowohl am Kaltwassereinlass als auch am Warmwasserauslass des Geräts nur Anschlussrohre (nicht mitgeliefert), die starr und resistent gegen Elektrolyse sind.

Bei Modellen, die einen Wärmetauscher (Solarwärmetauscher) umfassen, darf der Kreislauf 1,0 MPa (10 bar) nicht übersteigen und die Temperatur darf 80°C nicht übersteigen.

Beachten Sie die Beschreibungen und Abbildungen unter „Hydraulikanschlüsse“ im Abschnitt 6.6 und „Integration in ein Solarthermiksystem“ in Abschnitt 6.7.

WARNUNGEN ZU DEN ELEKTRISCHEN ANSCHLÜSSEN

Das Gerät muss gemäß den nationalen Gesetzen zur Verkabelung installiert werden.

Die elektrische Installation muss eine allpolige Trennung mit einer Trennung der Kontakte an allen Polen umfassen, die eine vollständige Trennung gemäß Überspannung-Kategorie III garantiert, dem Gerät vorgelagert ist und den geltenden lokalen Installationsvorschriften entspricht.

Das Gerät muss durch einen geeigneten Differenzschalter (max. 30 mA) geschützt werden. Die Art des Differenzschalters sollte anhand einer Bewertung der elektrischen Geräte gewählt werden, die vom System als Ganzes verwendet werden.

Eine Erdung ist verpflichtend. Der Hersteller des Geräts ist nicht haftbar für Schäden, die dadurch entstanden sind, dass das System nicht geerdet wurde, oder die auf Unregelmäßigkeiten der elektrischen Stromversorgung zurückzuführen sind.

Es ist streng verboten, das Gerät über Verlängerungen oder eine Steckdosenleiste mit dem Netzstrom zu verbinden.

Stellen Sie vor dem Abnehmen der Abdeckung sicher, dass das Gerät ausgeschaltet ist, um Verletzungen oder einen Stromschlag zu vermeiden.

Beachten Sie die Beschreibungen und Abbildungen im Abschnitt „Elektrische Anschlüsse“ (6.8) und „Anschlussdiagramm“ (6.9).

WARNUNGEN ZU SERVICE - WARTUNG - PROBLEMBEHEBUNG

Alle Reparaturen, Wartungen, Rohrleitungs- und elektrischen Anschlüsse müssen von einem qualifizierten Techniker und nur unter Verwendung von Originalersatzteilen vorgenommen werden. Bei Missachtung der oben aufgeführten Anweisungen kann die Sicherheit des Geräts beeinträchtigt werden, was den Hersteller von jeglicher Haftung für die Folgen entbindet.

So leeren Sie das Gerät: Schalten Sie die Stromversorgung und Kaltwasserzufuhr ab, öffnen Sie die Heißwasserhähne und bedienen Sie dann das Ablassventil des Sicherheitsgeräts.

Das Druckentlastungsventil muss regelmäßig bedient werden, um Kalkablagerungen zu entfernen und um sicherzustellen, dass es nicht blockiert ist.

Das Gerät ist mit einem Netzkabel ausgestattet, das bei Beschädigungen vom Hersteller, einem Kundendienstvertreter oder einer entsprechend qualifizierten Person ausgewechselt werden, um Gefährdungen auszuschließen.

Das Gerät umfasst eine Miniatur-Sicherung mit Zeitverzögerung, die bei Beschädigung durch das Sicherungsmodell T5AL250V in Einklang mit IEC 60127 ersetzt werden muss.

Beachten Sie die Beschreibungen und Abbildungen in Kapitel 9 "PROBLEMBEHEBUNG" und Kapitel 10, "WARTUNG".

2. EINLEITUNG

Die Installations- und Wartungsanleitung ist ein integraler Bestandteil der Wärmepumpe (im Weiteren als Gerät bezeichnet).




Die Anleitung muss zur künftigen Referenz während der Demontage aufbewahrt werden. Sie ist für Fachmonteure (Monteure, Wartungstechniker) und den Endbenutzer konzipiert. Die Anleitung beschreibt die Montageabläufe, die für einen korrekten und sicheren Betrieb des Geräts zu beachten sind, sowie die Verfahren zur Verwendung und Wartung.

Im Fall des Verkaufs oder der Übertragung an einen anderen Benutzer muss die Anleitung beim Gerät verbleiben.

Lesen Sie diese Anleitung vor der Installation und/oder Verwendung des Geräts sorgfältig durch, insbesondere Kapitel 5 zur Sicherheit.

Die Anleitung muss beim Gerät verbleiben und für qualifizierte Installations- und Wartungstechniker immer verfügbar sein.

Die folgenden Symbole werden in der Anleitung verwendet, um die wichtigsten Informationen hervorzuheben:

	Achtung
	Zu befolgende Schritte
	Informationen / Vorschläge

2.1 Produkte

Sehr geehrter Kunde,
Vielen Dank, dass Sie sich für den Kauf dieses Produkts entschieden haben.

Unser Unternehmen sorgt sich immer um die Umwelt und nutzt Technologien und Materialien mit geringen Auswirkungen auf die Umwelt für seine Produkte, die den WEEE-Standards der EU entsprechen (2012/19/EU – RoHS 2011/65/EU).

2.2 Gewährleistungsausschluss

Die Konformität dieser Bedienungsanleitung mit der Hard- und Software wurde sorgfältig geprüft. Dennoch kann es zu Abweichungen kommen und es wird keine Verantwortlichkeit für eine Gesamtkonformität angenommen.

Im Interesse der technischen Verbesserung behalten wir uns das Recht vor, jederzeit Änderungen an der Konstruktion oder den technischen Daten vorzunehmen. Jeder Anspruch, der auf den Anweisungen, Abbildungen, Zeichnungen oder Beschreibungen beruht, ist damit ausgeschlossen. Diese unterliegen möglichen Fehlern.

Der Konstrukteur haftet nicht für Schäden aufgrund von Bedienfehlern, einer unsachgemäßen oder unangebrachten Verwendung oder in Folge von unautorisierten Reparaturen oder Änderungen.

2.3 Sprache

Die Anleitung wurde in Italienisch (IT) geschrieben, der ursprünglichen Sprache des Herstellers.

Jede Übersetzung in weitere Sprachen muss auf Grundlage der ursprünglichen Anleitung erfolgen.

Der Hersteller ist für die in der ursprünglichen Anleitung enthaltenen Informationen verantwortlich. Übersetzungen in andere Sprachen können nicht vollständig verifiziert werden. Daher ist der Text der ursprünglichen Sprache zu befolgen oder Kontakt mit unserem Büro für technische Dokumentation herzustellen, wenn Sie auf Inkonsistenzen stoßen.

2.4 Urheberrecht

Diese Bedienungsanleitung enthält urheberrechtlich geschützte Informationen. Kein Teil dieser Bedienungsanleitung darf ohne vorherige Einwilligung des Lieferanten fotokopiert, dupliziert, übersetzt oder auf Speichermedien aufgezeichnet werden. Jegliche Zuwiderhandlungen unterliegen einer Entschädigung für Schäden. Alle Rechte, einschließlich derer, die aus der Gewährung von Patenten oder der Registrierung von Gebrauchsmustern entstehen, sind vorbehalten.

2.5 Verfügbare Versionen und Konfigurationen

Dieses Gerät umfasst eine 1,9 kW-Wärmepumpe. Es kann gemäß der möglichen Integration mit zusätzlichen Heizquellen (z. B. Solarheizung) oder abhängig von der Kesselkapazität in verschiedenen Konfigurationen installiert werden.

Version	Konfigurationsbeschreibung
EKHHE200CV37 EKHHE260CV37	Luftwärmepumpe für Brauchwasserproduktion
EKHHE200PCV37 EKHHE260PCV37	Luftwärmepumpe für Brauchwasserproduktion mit Vorbereitung für das Solarthermiksystem.

3. UMGANG UND TRANSPORT

Das Gerät wird in einem Karton(*) geliefert.

Es ist mit drei Schrauben auf einer Palette gesichert.

Verwenden Sie zum Entladen einen Gabelstapler oder einen entsprechenden Palettenwagen.

Das verpackte Gerät kann horizontal aufgestellt und wieder abwärts platziert werden, um das Lösen der Verankerungsschrauben zu erleichtern.

Das Entpacken muss sorgfältig erfolgen, um Schäden am Gehäuse des Geräts zu vermeiden, wenn Messer oder Schneidegeräte verwendet werden, um die Kartonverpackung zu öffnen.

Prüfen Sie nach dem Entfernen der Verpackung die Integrität des Geräts. Wenn Sie Zweifel haben, verwenden Sie das Gerät nicht; wenden Sie sich an einen autorisierten Techniker.

Stellen Sie, bevor Sie die Verpackung gemäß den geltenden Umweltschutzvorschriften entsorgen, sicher, dass das gesamte mitgelieferte Zubehör entfernt wurde.

(*) Hinweis: Die Art der Verpackung kann nach Ermessen des Herstellers Variationen unterliegen.

Es wird empfohlen, das Gerät in der Zeit, in der es nicht betrieben wird und auf die Inbetriebnahme wartet, an einem Ort zu positionieren, an dem es vor atmosphärischen Einflüssen geschützt ist.

3.1 Empfang

Neben dem Gerät enthalten die Verpackungen Zubehör und die technische Dokumentation zur Verwendung und Montage. Prüfen Sie, ob die folgenden Teile vorhanden sind:

- 1 x Benutzer-, Installations- und Wartungshandbuch;
- 3 x Befestigungshalterungen plus Schrauben;
- 1 x Thermoschutz (nur für EKHHE200PCV3 und EKHHE260PCV3).

Es wird empfohlen, das Gerät in der Zeit, in der es nicht betrieben wird und auf die Inbetriebnahme wartet, an einem Ort zu positionieren, an dem es vor atmosphärischen Einflüssen geschützt ist.

Zulässige Positionen für Transport und Handhabung

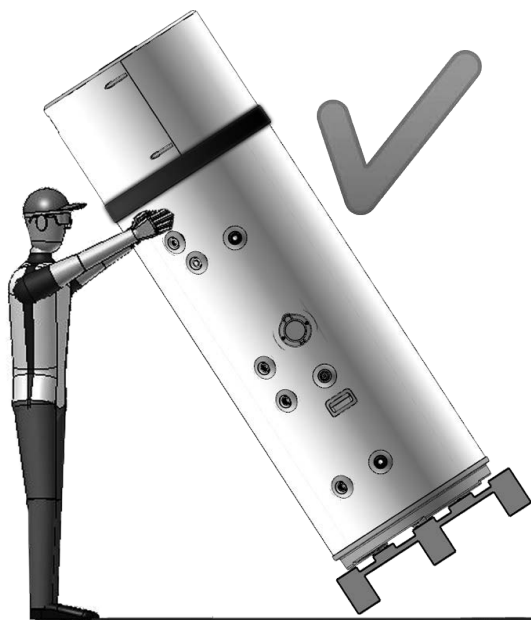
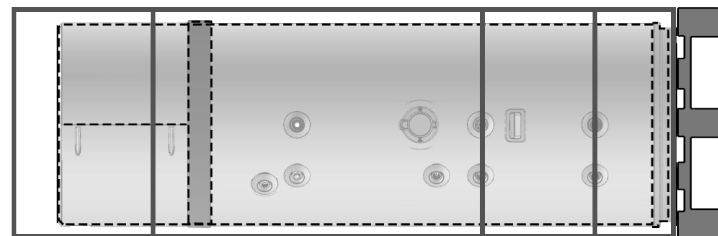


Abb. 1

! ACHTUNG! Während der Schritte zur Handhabung und Installation darf der obere Teil nicht unter Spannung stehen, da dieser nicht strukturell ist.

! ACHTUNG! Ein horizontaler Transport ist nur für den letzten Kilometer gemäß den dargestellten Angaben zulässig (siehe "Unzulässige Positionen für Transport und Handhabung"). Stellen Sie sicher, dass alle Stützen so an der Unterseite des Kessels positioniert wurden, dass der obere Teil nicht belastet wird, da er nicht strukturell ist. Während des horizontalen Transports muss das Display nach oben weisen.

Nur für den letzten Kilometer zulässige Position



Unzulässige Positionen für Transport und Handhabung

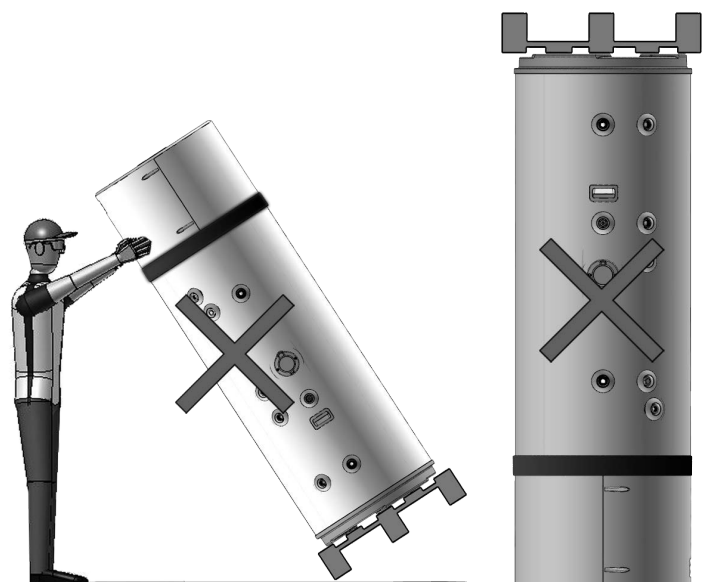
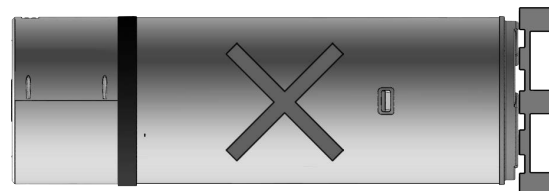
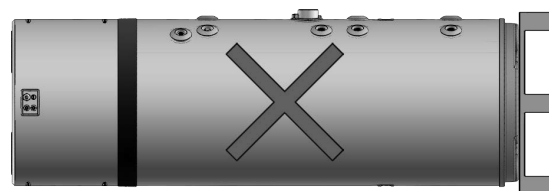
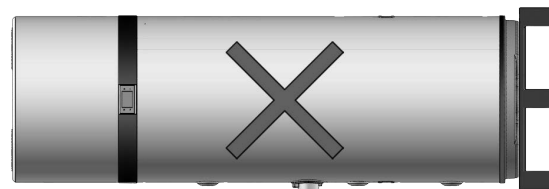


Abb. 2

4. KONSTRUKTIONSMERKMALE

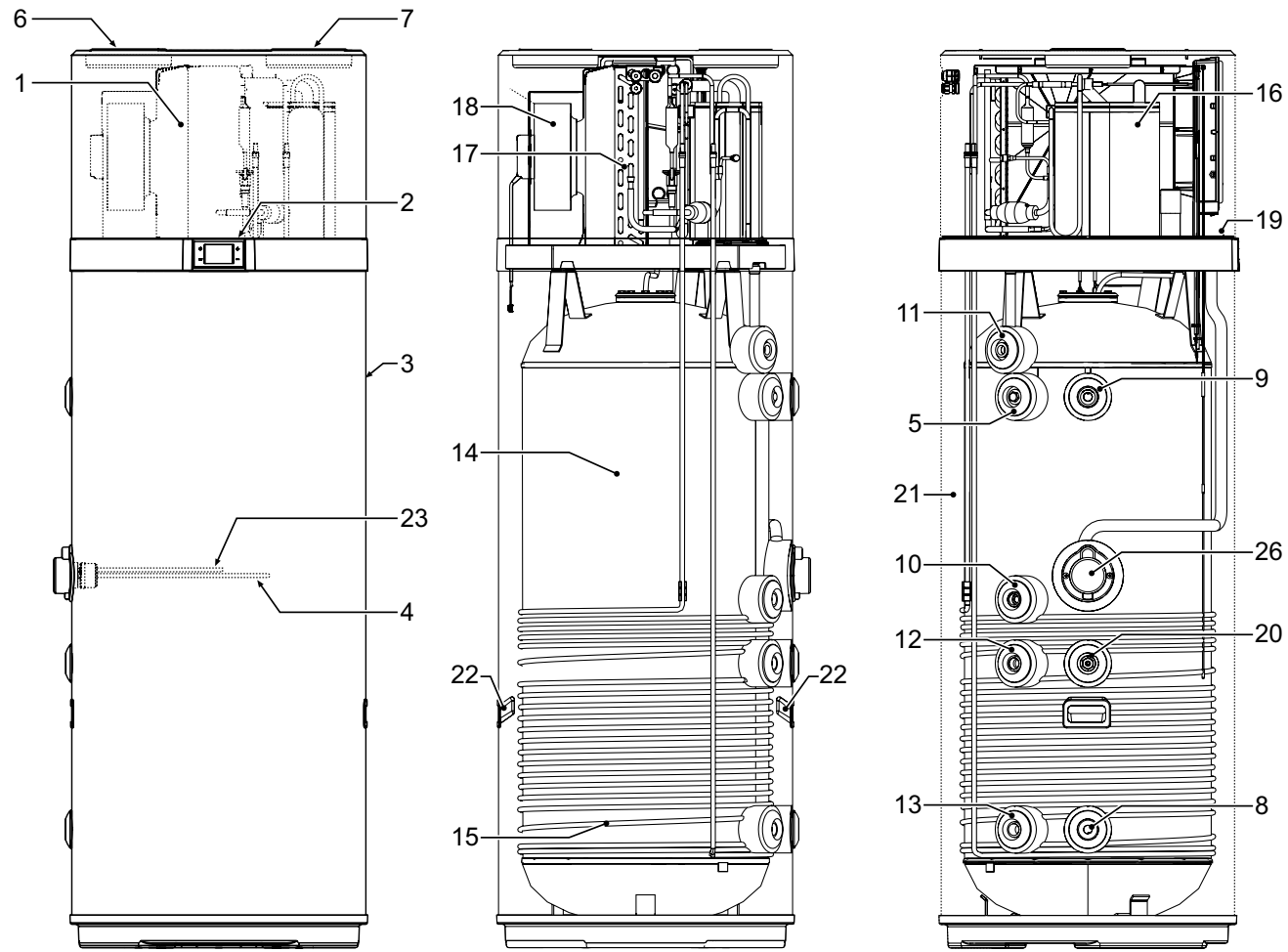
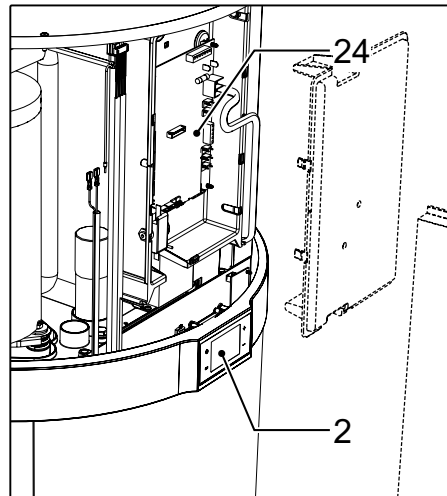


Abb. 3



- 1 Wärmepumpe
- 2 Raumbedienmodul
- 3 Stahlgehäuse
- 4 Heizelement
- 5 Magnesiumanode
- 6 Belüftungslufteinlass (Ø160 mm)
- 7 Belüftungsluftauslass (Ø160 mm)
- 8 Anschluss für Kaltwassereinlass
- 9 Anschluss für Warmwasserauslass

- 10 Vorbereitung für Umwälzung
- 11 Kondensatablauf
- 12 Vorbereitung für Solarwärmetauscher-Einlass
*Nur für Modelle EKHHE200PCV37
EKHHE260PCV37*
- 13 Vorbereitung für Solarwärmetauscher-Auslass
*Nur für Modelle EKHHE200PCV37
EKHHE260PCV37*
- 14 Stahltank mit Emailbeschichtung gemäß DIN 4753-3
- 15 Verflüssiger
- 16 Rotationsverdichter
- 17 Lamellenverdampfer
- 18 Elektronischer Lüfter
- 19 Kesselsonden
- 20 Sondenhaltertasche für Solar - *Nur für Modelle
EKHHE200PCV37
EKHHE260PCV37*
- 21 Polyurethan-Isolierung
- 22 Tragegriffe
- 23 Schlauch für Sicherheitsthermostatkugel
- 24 Netzteilkarte
- 26 Fach für den Zugang zum Heizelement und zur Sicherheitsthermostatkugel

4.1 Abmessungsdaten

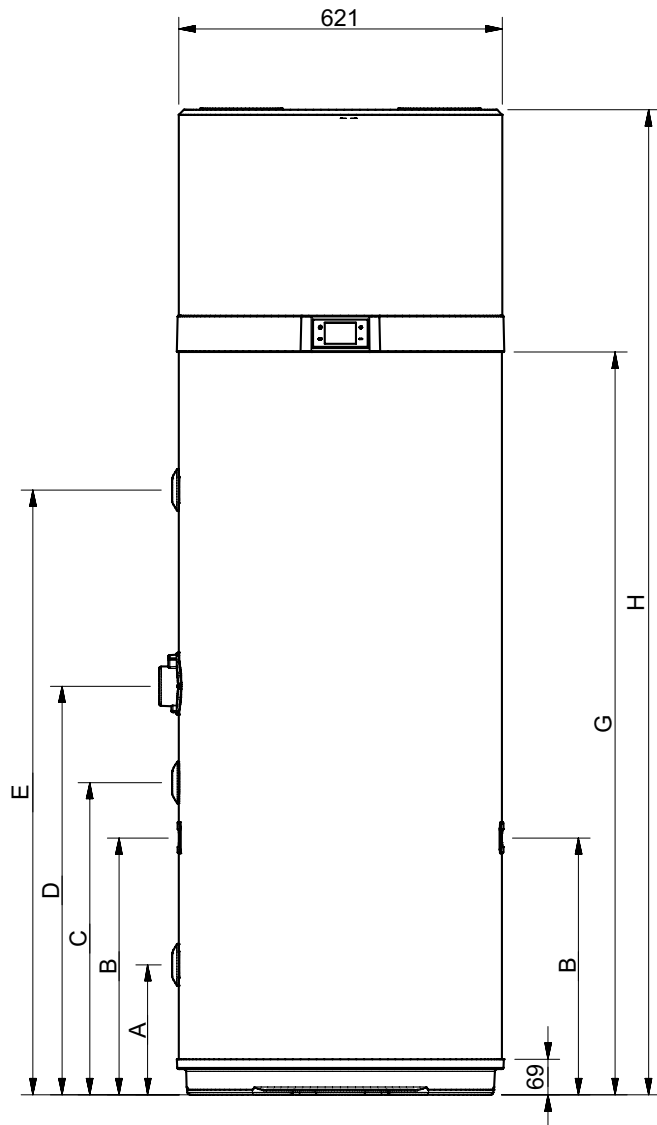


Abb. 4

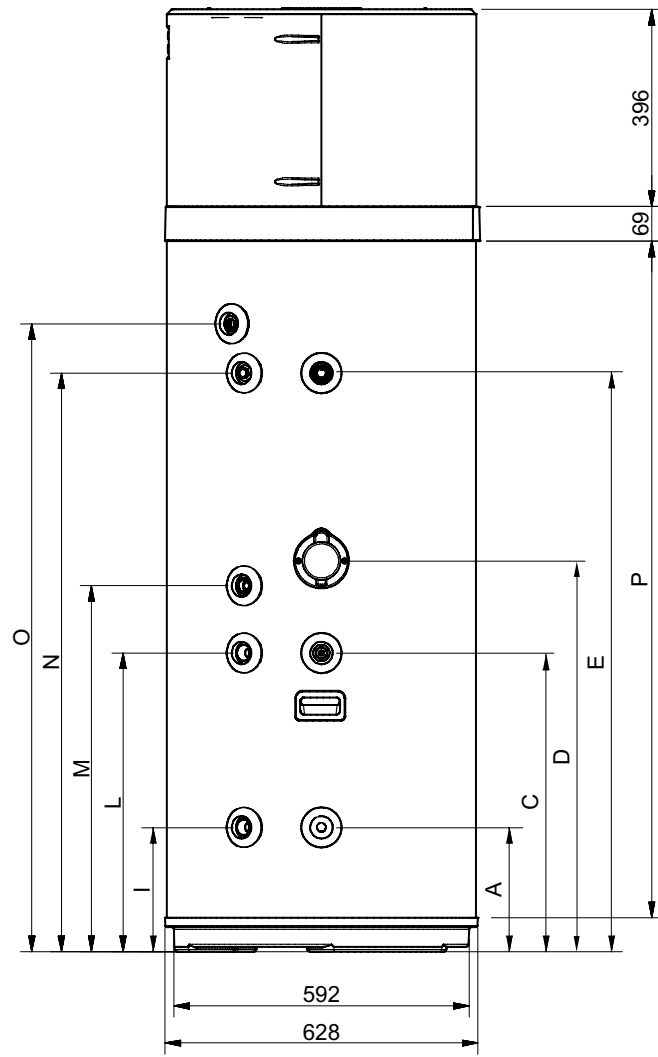


Abb. 5

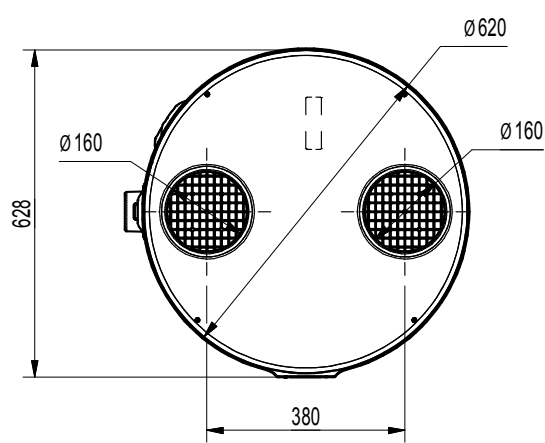


Abb. 6

MODELL	Ø	EKHHE200PCV37	EKHHE260PCV37	EKHHE200CV37	EKHHE260CV37	UM
A	1"G	250	250	250	250	mm
B	-	490	493	/	/	mm
C	1/2"G	600	600	600	600	mm
D	-	705	785	705	785	mm
E	1"G	876,5	1162	876,5	1162	mm
G	-	1142	1427	1142	1427	mm
H	-	1607	1892	1607	1892	mm
I	3/4"G	250	250	/	/	mm
L	3/4"G	599	600	/	/	mm
M	3/4"G	705	735	705	735	mm
N	3/4"G	877	1162	877	1162	mm
O*	1/2"G	976	1261	976	1261	mm
P	-	1073	1358	1073	1358	mm

*O - Auslassanschluss im Kunststoffmaterial

4.2 Technische Merkmale

Modell	EKHHE200CV37	EKHHE260CV37	EKHHE200PCV37	EKHHE260PCV37	Einheit				
Allgemeine Daten	Spannungsversorgung				230 V Wechselstrom, 50 Hz	-			
	Wasserspeicherinhalt - V _{nom}				192	250	187	247	dm ³
	Maximaler Wasserdruck Einlass				0,7	0,7	0,7	0,7	MPa
	Leergewicht				85	97	96	106	kg
	Betriebsgewicht				277	347	283	353	kg
	Abmessungen (φxh)				621 x 1607	621 x 1892	621 x 1607	621 x 1892	mm
	Max. Warmwassertemperatur mit Wärmepumpe				62	62	62	62	°C
	Max. Warmwassertemperatur mit zusätzlicher elektrischer Heizung				75	75	75	75	°C
Speicher	Material				Emaillierter Stahl		-		
	Kathodenschutz				Magnesiumstabanode		-		
	Isolierungsart				Polyurethan		-		
	Isolationsdicke				50	50	50	50	mm
Wärmepumpe, elektrische Daten	Durchschnittliche Leistungsaufnahme beim Heizen				430	430	430	430	W
	Maximale Leistungsaufnahme				530	530	530	530	W
	Maximale Stromstärke Eingang				2,43	2,43	2,43	2,43	A
Elektrische Heizung, elektrische Daten	Netzspannung				230 V Wechselstrom, 50 Hz		-		
	Leistungsaufnahme				1500	1500	1500	1500	W
	Stromstärke Eingang				6,5	6,5	6,5	6,5	A
Elektrische Daten Wärmepumpe + elektrische Heizung	Maximale Leistungsaufnahme				1960	1960	1960	1960	W
	Maximale Stromstärke Eingang				8,5	8,5	8,5	8,5	A
Luftkreislauf	Lüftertyp				Zentrifuge		-		
	Luftvolumen-Durchflussmenge				450	450	450	450	m ³ /Std.
	Verfügbare externer statischer Druck				117	117	117	117	Pa
	Kanaldurchmesser				160	160	160	160	mm
Kältemittelkreislauf	Verdichter				Rotation		-		
	Kältemittel				R134a		-		
	Kältemittelfüllmenge				1	1	1	1	kg
	Verdampfer				Kupfer-Aluminium-Lamellenspule		-		
	Verflüssiger				Außenspeicher mit Aluminiumschlauch versehen		-		
Solarwärmetauscher	Material				-	-	Emaillierter Stahl	Emaillierter Stahl	-
	Oberfläche				-	-	0,72	0,72	m ²
	Max. Druck				-	-	1	1	MPa
Daten gemäß Standard EN 16147:2017 für Durchschnittsklima (Einheit im ECO-Modus, Warmwasser-Sollwert = 55°C; Einlasswasser = 10°C; Einlasslufttemperatur = 7°C DB/6°C WB)	Lastprofil				L	XL	L	XL	-
	Warmwasserbereitung Energieeffizienzklasse *				A+	A+	A+	A+	-
	Warmwasserbereitung Energieeffizienz - η _{wh}				135	138	135	138	%
	COP _{DHW}				3,23	3,37	3,23	3,37	-
	Max. Volumen Mischwasser bei 40°C - V ₄₀				247	340	241	335	dm ³
	Warmwasser-Referenztemperatur - θ' _{wh}				52,5	53,2	52,5	53,2	°C
	Nennheizleistung - Prated				1,339	1,249	1,339	1,249	kW
	Aufwärmzeit - t _h				06:27	09:29	06:27	09:29	hh:mm
	Jährlicher Stromverbrauch (AEC)				761	1210	761	1210	kWh
	Leistungsaufnahme Standby (P _{es})				26	28	26	28	W
Daten gemäß EN 12102-2:2019, ECO-Modus mit Einlasslufttemperatur = 7°C DB/6°C WB	Innen-Schallleistungspegel				53	51	53	51	dB(A)
	Außen-Schallleistungspegel				45	44	45	44	dB(A)

5. WICHTIGE INFORMATIONEN

5.1 Konformität mit europäischen Vorschriften

Diese Wärmepumpe ist ein Produkt, das für den häuslichen Gebrauch in Einklang mit den folgenden europäischen Richtlinien konzipiert ist:

- Richtlinie 2012/19/EU (WEEE)
- Richtlinie 2011/65/EU zur Beschränkung der Verwendung bestimmter gefährlicher Stoffe in Elektro- und Elektronikgeräten (RoHS)
- Richtlinie 2014/30/EU über die elektromagnetische Verträglichkeit (EMV)
- Richtlinie 2014/35/EU Niederspannungsrichtlinie
- Richtlinie 2009/125/EG umweltgerechte Gestaltung
- Verordnung 2017/1369/EU Energieverbrauchskennzeichnung

5.2 Einstufung des Gehäuseschutzes

Die Schutzeinstufung des Geräts ist **IP24**.

5.3 Betriebsbeschränkungen



UNZULÄSSIG! Dieses Produkt wurde nicht für die Verwendung in gefährlichen Umgebungen entwickelt oder konzipiert (aufgrund des Vorhandenseins möglicherweise explosiver Atmosphäre – ATEX oder mit der einer erforderlichen IP-Einstufung, die über der des Geräts liegt) oder in Anwendungsbereichen, die Sicherheitsfunktionen erfordern (fehlertolerant, ausfallsicher), bei denen es sich um Systeme und/oder Technologien für lebenserhaltende Maßnahmen oder andere Kontexte handeln kann, in denen die Fehlfunktion eines Geräts zum Tod oder zu Verletzungen von Personen oder Tieren oder zu schwerwiegenden Sachschäden oder Schäden an der Umwelt führen kann.



Hinweis: Wenn die Möglichkeit des Ausfalls oder Fehlers des Produkts Schäden verursachen kann (an Personen, Tieren oder Gegenständen), ist es erforderlich, ein separates funktionierende Überwachungssystem bereitzustellen, das mit Alarmfunktionen ausgestattet ist, um derartige Schäden auszuschließen. Es ist außerdem notwendig, für einen Ersatzbetrieb zu sorgen!



Das Gerät ist nicht für eine Installation im Freien sondern für die Installation an einem "geschlossenen" Ort ausgelegt, an dem es nicht den Elementen ausgesetzt ist.

5.4 Betriebsbeschränkungen

Das betreffende Produkt wurde ausschließlich für das Aufheizen von Warmwasser für sanitäre Zwecke innerhalb der unten beschriebenen Grenzen konzipiert. Zu diesem Zweck muss es an die Brauchwasserzuleitung und die Stromversorgung angeschlossen werden (siehe Kapitel „6. INSTALLATION UND ANSCHLÜSSE“).

5.4.1 Temperaturbereich

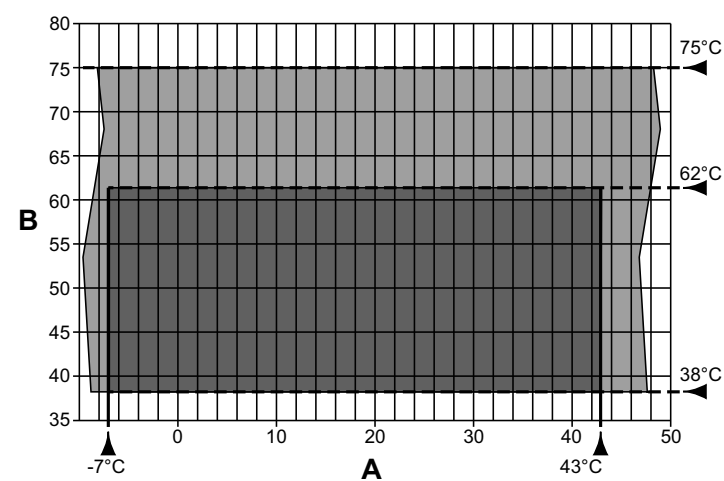


Abb. 7- Diagramm

A=Einlass-Lufttemperatur (°C)

B=Warmwassertemperatur (°C)

■ =Betriebsbereich für Wärmepumpe (HP)

■ =Integration nur mit Heizelement

5.4.2 Wasserhärte

Das Gerät darf nicht mit Wasser mit einer Härte unter 12°F betrieben werden; bei besonders hartem Wasser (über 25°F) ist es ratsam, einen ordnungsgemäß kalibrierten und überwachten Wasserenthärter zu verwenden. In diesem Fall darf die Resthärte nicht unter 15°F fallen.



Hinweis: In der Design- und Konstruktionsphase der Anlagen müssen die geltenden lokalen Vorschriften und Vorkehrungen berücksichtigt werden.

5.5 Grundlegende Sicherheitsregeln

- Das Produkt muss von Erwachsenen verwendet werden;
- Öffnen oder zerlegen Sie das Produkt nicht, während es unter Strom steht;
- Berühren Sie das Gerät nicht mit nassen oder feuchten Körperteilen oder wenn Sie barfuß sind;
- Gießen und sprühen Sie kein Wasser auf das Produkt;
- Klettern Sie nicht auf das Produkt, setzen Sie sich nicht darauf und stellen Sie keine Gegenstände auf das Produkt.

5.6 Informationen zum verwendeten Kältemittel

Dieses Produkt enthält fluorierte Treibhausgase, die durch das Kyoto-Protokoll abgedeckt werden. Setzen Sie diese Gase nicht in die Atmosphäre frei.

Kältemittelart: HFC-R134a.



Hinweis: Wartungs- und Entsorgungsvorgänge dürfen nur von qualifizierten Personen ausgeführt werden.

6. INSTALLATION UND ANSCHLÜSSE

6.1 Vorbereitung des Installationsorts

Das Produkt muss an einem geeigneten Ort aufgestellt werden, d. h. um eine normale Verwendung und normale Anpassungsvorgänge sowie eine routinemäßige und außergewöhnliche Wartung zu ermöglichen.

Der notwendige Betriebsbereich muss daher entsprechend den in Abb. 8 und Abb. 9 aufgeführten Abmessungen vorbereitet werden.

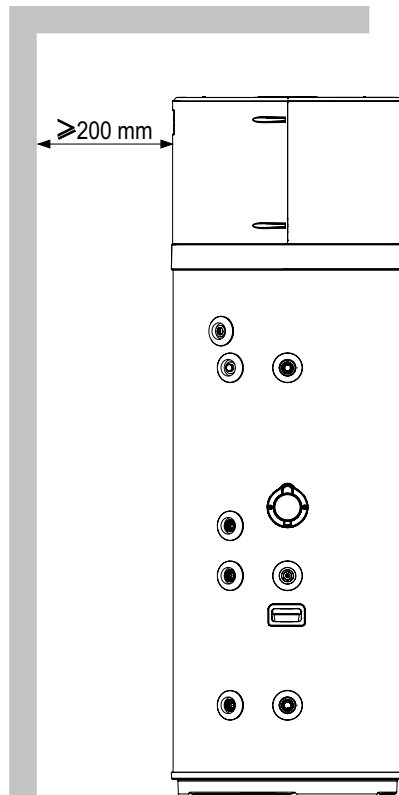


Abb. 8- Mindestabstände

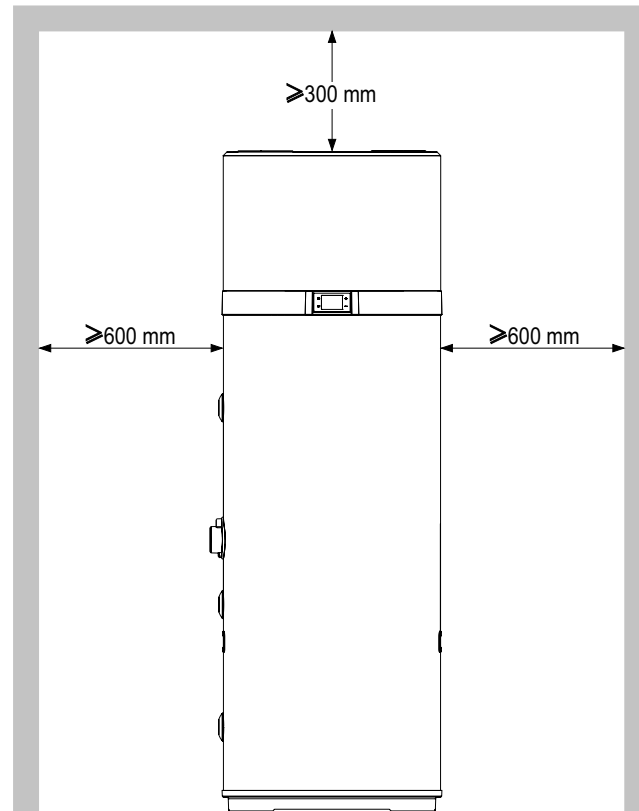


Abb. 9- Mindestabstände

Der Raum muss auch folgenden Vorgaben entsprechen:

- Der Raum muss mit entsprechenden Wasser- und Stromversorgungsleitungen ausgestattet sein;
- Der Raum muss über eine Vorbereitung für den Kondenswasser-Ablaufanschluss verfügen;
- Der Raum muss über eine Vorbereitung für angemessene Wasserabläufe verfügen, falls es zu einer Beschädigung des Kessels, zur Auslösung des Sicherheitsventils oder zum Bruch der Rohrleitungen/Anschlüsse kommt;
- Der Raum muss mit Systemen für eine mögliche Eindämmung im Fall eines schwerwiegenden Wasseraustritts ausgestattet sein;
- Der Raum muss ausreichend beleuchtet sein (wenn erforderlich);
- Der Raum muss ein Volumen von nicht weniger als 20 m³ haben;
- Der Raum muss vor Frost geschützt und trocken sein.



ACHTUNG! Um die Ausbreitung mechanischer Vibrationen zu vermeiden, installieren Sie das Gerät nicht auf Böden mit Holzträgerbalken (z. B. auf dem Dachboden).

6.2 Sicherung am Boden

Um das Produkt am Boden zu sichern, befestigen Sie die mitgelieferten Halterungen wie in Abb. 10 dargestellt.

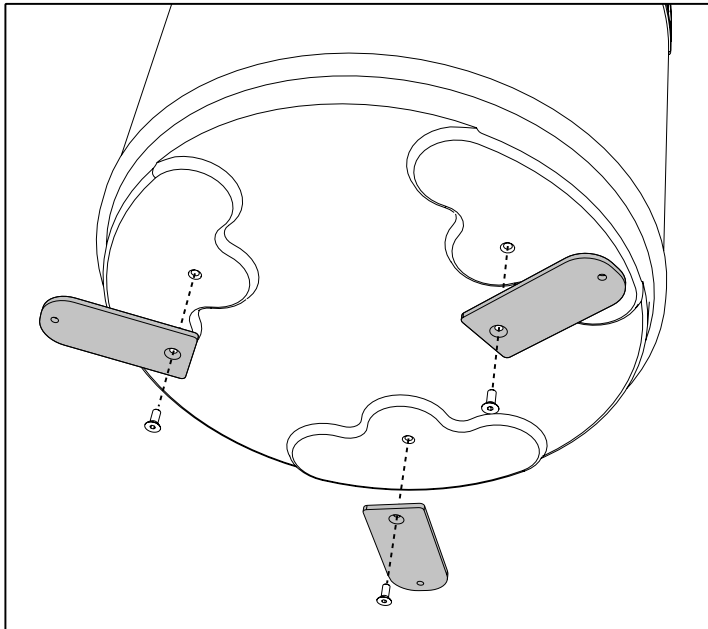


Abb. 10 - Befestigungshalterungen

Sichern Sie das Gerät dann wie in Abb. 11 dargestellt mithilfe geeigneter Mittel, die nicht im Lieferumfang enthalten sind, am Boden.

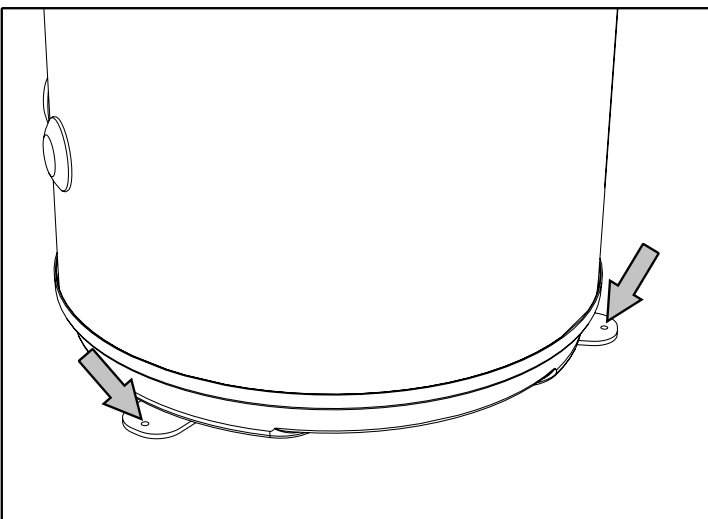


Abb. 11 - Sicherung am Boden

6.3 Luftanschlüsse

Neben den in 6.1 dargestellten Bereichen erfordert die Wärmepumpe eine ausreichend Belüftung.

Schaffen Sie einen speziellen Luftkanal, wie in Abb. 12 dargestellt.

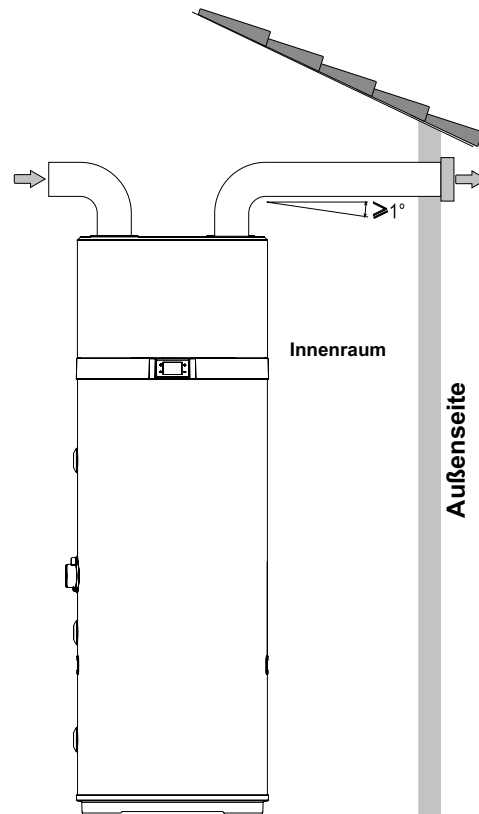


Abb. 12 - Beispiel für einen Luftauslassanschluss

Es ist außerdem wichtig, eine ausreichende Belüftung des Raums sicherzustellen, in dem sich das Gerät befindet. In der Abbildung unten (Abb. 13) ist eine alternative Lösung dargestellt: Sie sieht einen zweiten Kanal vor, der Luft von außen statt direkt aus dem Rauminneren zuführt.

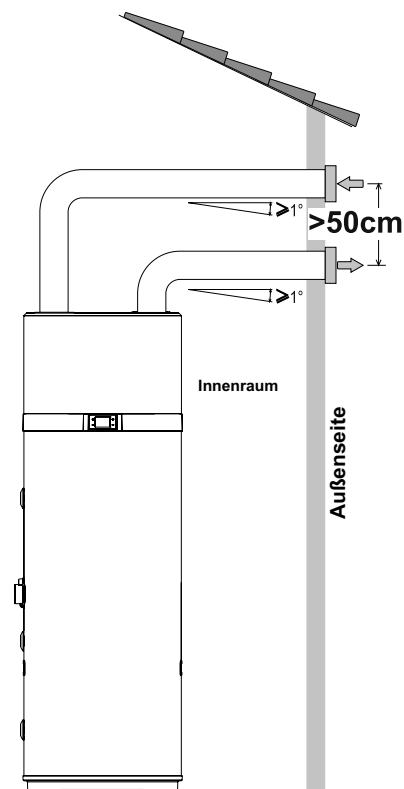


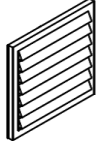


Abb. 13 - Beispiel für einen Luftauslassanschluss

Installieren Sie den jeweiligen Luftkanal und stellen Sie dabei Folgendes sicher:

- Der Kanal darf kein Gewicht auf das Gerät ausüben.
- Wartungsarbeiten müssen möglich sein.
- Der Kanal ist ausreichend geschützt, um das versehentliche Eindringen von Material in das Gerät zu verhindern.
- Die Anschlüsse zur Gebäudeaußenseite müssen mit geeigneten, nicht entflammaren Rohrleitungen vorgenommen werden.
- Die Gesamtäquivalentlänge der Abzugsrohr plus Zufuhr und einschließlich Gittern darf 12 m nicht übersteigen.

Die Tabelle führt die Merkmaldaten kommerzieller Rohrleitungskomponenten mit Referenz auf den Nennluftstrom und Durchmesser von 160 mm auf.

Daten	Glattes gerades Rohr	Glatte 90-Grad-Kurve	Gitter	UM
Typ				
Effektive Länge	1	1	1	m
Äquivalente Länge	1	2	2	m

i Während des Betriebs neigt die Wärmepumpe dazu, die Raumtemperatur zu senken, wenn der Luftkanal nicht nach außen führt.

i Ein geeignetes Schutzgitter muss am Luftauslassrohr nach außen angebracht werden, um zu verhindern, dass Fremdkörper in das Gerät gelangen. Um eine maximale Produktleistung sicherzustellen, muss das Gitter unter den Varianten mit einem niedrigen Druckverlust ausgewählt werden.

i Um die Bildung von Kondenswasser zu vermeiden, isolieren Sie die Luftauslassrohre und die Luftkanal-Abdeckungsanschlüsse mit einer dampfdichten Thermoabdeckung von geeigneter Stärke.

i Installieren Sie Dämpfungsmaterial, wenn es notwendig erscheint, um Geräusche durch den Fluss zu vermeiden. Rüsten Sie die Rohrleitungen, Wandauslässe und Anschlüsse an der Wärmepumpe mit vibrationsdämpfenden Systemen aus.

6.3.1 Spezialinstallation

Eine der Besonderheiten von Wärmepumpen-Heizsystemen ist, dass diese Geräte die Lufttemperatur stark absenken, die normalerweise an die Gebäudeaußenseite abgeleitet wird. Die abgeleitete Luft ist nicht nur kälter als die Umgebungsluft, sie ist auch vollständig entfeuchtet, wodurch der Luftfluss zum Kühlen bestimmter Räume oder Bereiche im Sommer in das Gebäude zurückgeleitet werden kann.

Die Installation ermöglicht eine Teilung des Ablassrohrs, das mit zwei Dämpfern ausgestattet ist ("A" und "B"), um den Luftfluss aus dem Gebäude heraus (Abb. 15) oder in das Gebäudeinnere (Abb. 14) zu lenken.

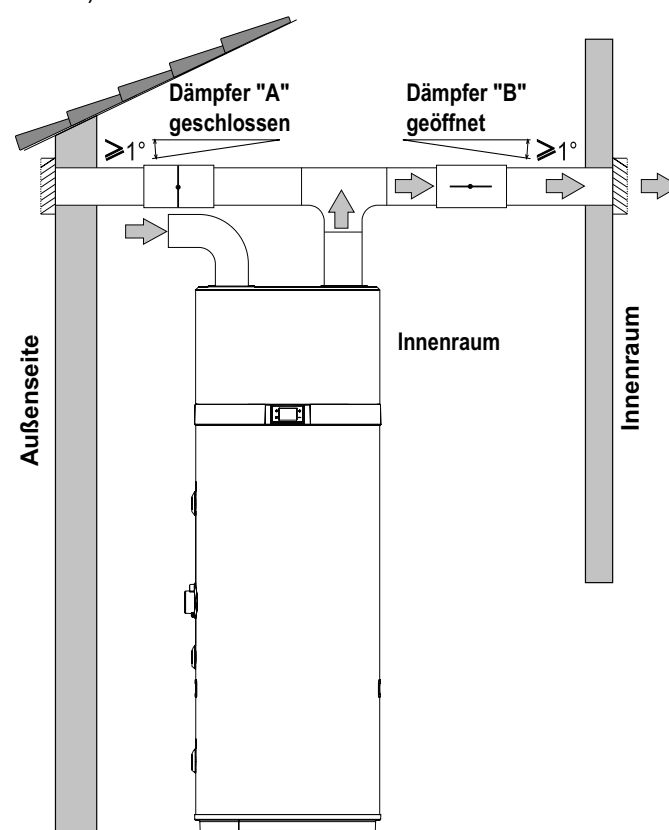


Abb. 14 - Beispiel der Installation im Sommer

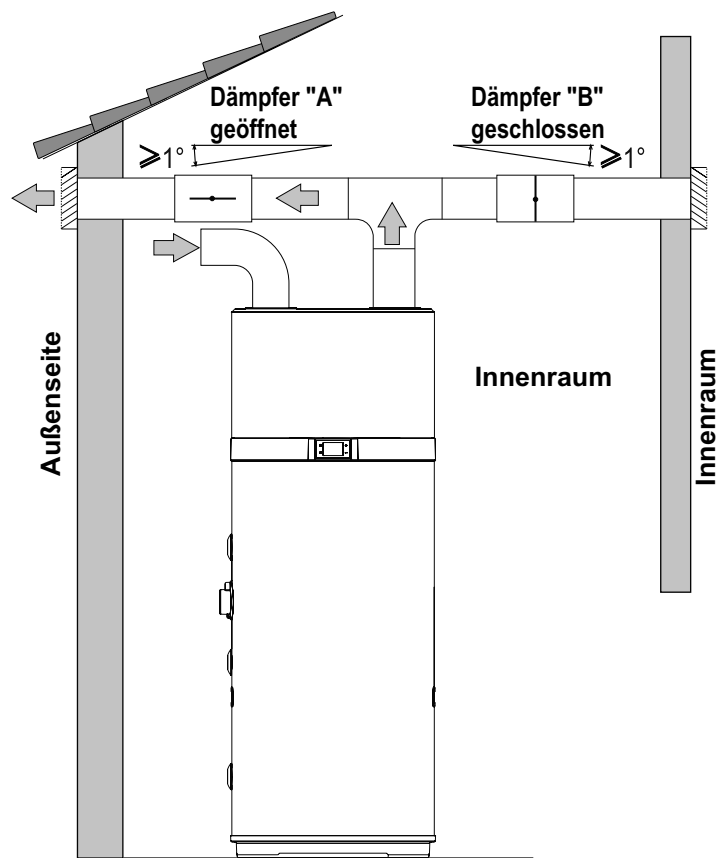


Abb. 15 - Beispiel der Installation im Winter

6.4 Sicherung und Anschlüsse des Geräts

Das Gerät muss auf einem stabilen, flachen Boden aufgestellt werden, der keinen Vibrationen ausgesetzt ist.

6.5 Hydraulikanschlüsse

Schließen Sie die Kaltwasserversorgungsleitung und die Auslassleitung an die entsprechenden Anschlusspunkte an (Abb. 16).

In der folgenden Tabelle sind die Merkmale der Anschlusspunkte aufgeführt.

Ref.	Funktion	Modell 200 l / 260 l
1	Kaltwassereinlass	1" G
2*	Solarwärmetauscher-Auslass	3/4" G
3*	Solarwärmetauscher-Einlass	3/4" G
4	Umwälzung	3/4" G
5	Warmwasserauslass	1" G
6	Kondensatablauf	1/2" G
A*	Grube für Solarsonde und Thermoschutzkugel	1/2" G

*: nur für Modelle EKHHE200PCV37 und EKHHE260PCV37.

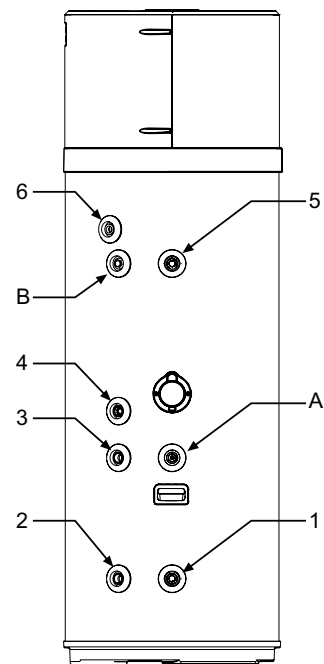


Abb. 16

Die folgende Abbildung (Abb. 17) zeigt ein Beispiel für die Rohrleistungsanschlüsse.

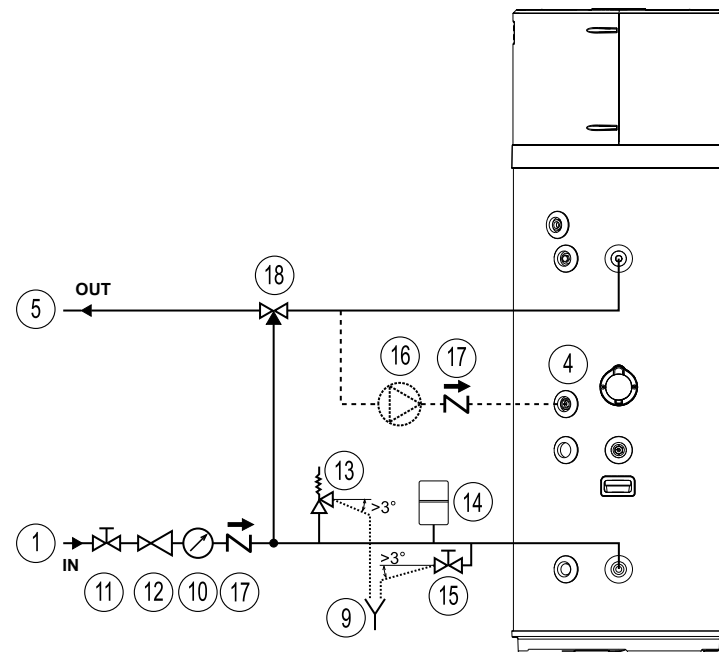


Abb. 17 Beispiel für das Wassersystem

Legende (Abb. 17)

- | | |
|---|--|
| 1 Wassereinlassrohr | 13 Sicherheitsventil |
| 4 Wassermwälzeinlass | 14 Ausdehnungsgefäß |
| 5 Warmwasser-Auslassrohr | 15 Ablaufhahn |
| 9 Überprüfungsfähiges Ende der Auslassleitung | 16 Umwälzpumpe |
| 10 Druckmesser | 17 Federrückschlagventil |
| 11 Absperrventil | 18 Automatisches Thermostat-Mischgerät |
| 12 Druckregulator | |

6.5.1 Kondensatablaufanschluss

Das Kondensat, das sich während des Betriebs der Wärmepumpe bildet, fließt durch eine spezielle Ablaufleitung (1/2" G), die im Isolierungsgehäuse verläuft und an der Seite des Geräts austritt.

Sie muss über einen Siphon so an einen Kanal angeschlossen werden, dass das Kondensat regelmäßig abfließen kann (Abb. 18).

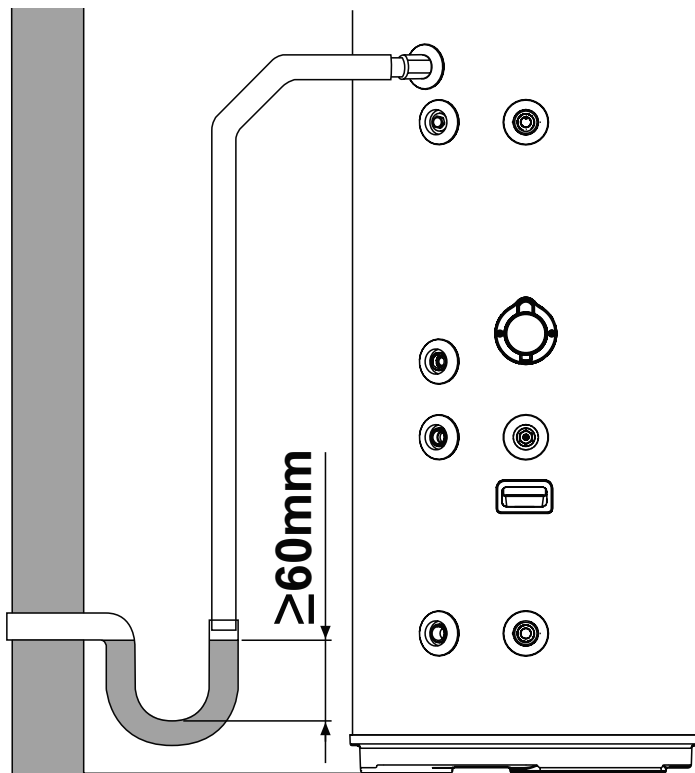


Abb. 18 - Beispiel für einen Kondensatablaufanschluss über einen Siphon

6.6 Integration in ein Solarthermiksystem (nur für Modelle EKHHE200PCV37 und EKHHE260PCV37)

Die folgende Abbildung (Abb. 19) zeigt, wie das Gerät mit einem Solarthermiksystem verbunden wird, das über eine spezielle elektronische Steuerung (nicht mitgeliefert) gesteuert wird, die über einen "spannungsfreien" Ausgang verfügt, der mit dem DIG.1-Eingang des Geräts verbunden werden kann (siehe „6.7.1 Fernverbindungen“).

Um das Gerät in dieser Konfiguration zu verwenden, muss der Parameter **P16=1** festgelegt werden (siehe Abschnitt 8.1).

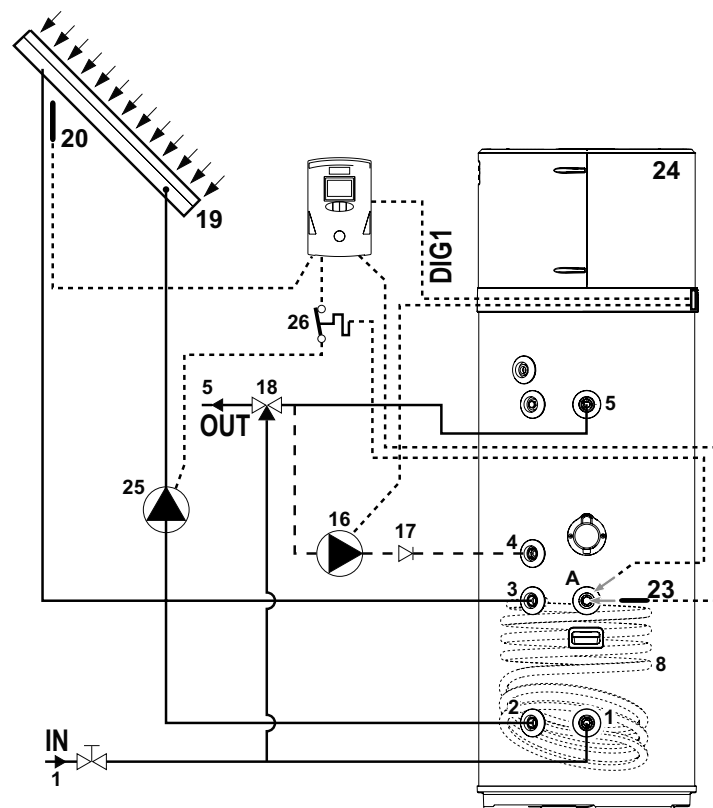


Abb. 19

Die folgenden Abbildungen (Abb. 20 und Abb. 21) zeigen, wie das Gerät mit einem Solarthermiksystem verbunden wird, das direkt über letzteres ohne die Hilfe einer speziellen elektronischen Steuerung gesteuert wird.

In der Konfiguration von Abb. 20 wird im Fall einer Übertemperatur des Sonnenkollektors ein Absperrventil (nicht mitgeliefert) aktiviert, um für einen Ablauf des im Gerät enthaltenen warmen Wassers in einen Brauchwasserspeicher (Puffer) zu sorgen.

In der Konfiguration von Abb. 21 wird in diesem Fall der Sonnenkollektor-Schließer geschlossen.

In beiden Fällen tritt dies auf, um ein Abkühlen des Kollektors zu ermöglichen.

Um das Gerät in diesen beiden Konfigurationen zu verwenden, müssen die Parameter **P12=2** und **P16=2** festgelegt werden (siehe Absatz 8.1).

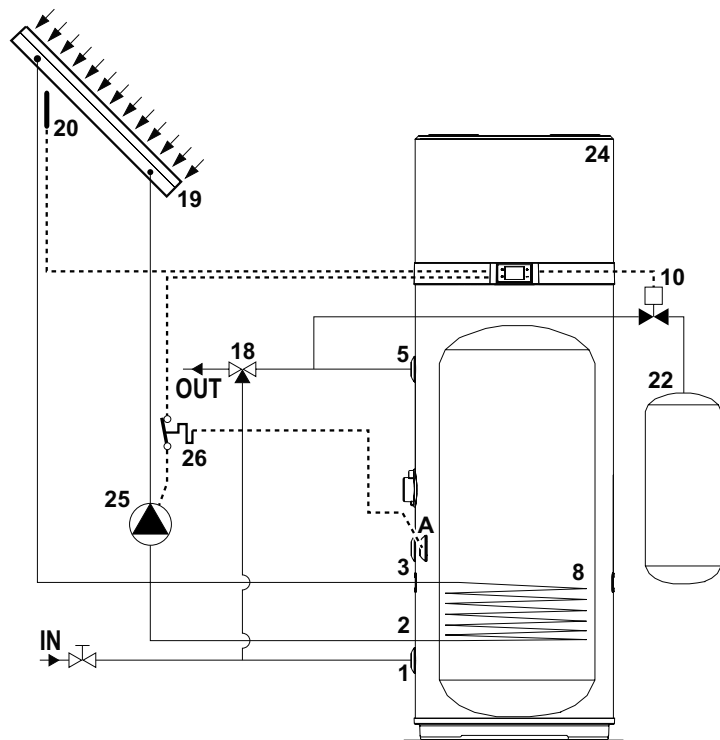


Abb. 20

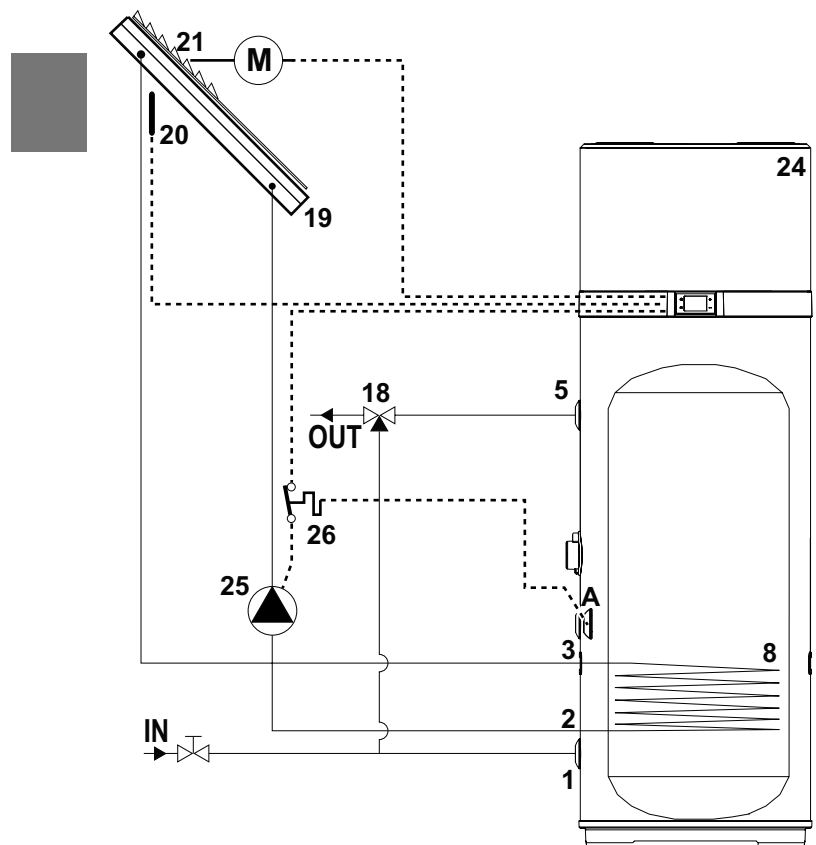


Abb. 21

Legende (Abb. 19, Abb. 20 und Abb. 21)

- | | |
|--|--|
| 1 Kaltwassereinlass | 19 Sonnenkollektor |
| 2 Solarwärmetauscher-Auslass | 20 Sonnenkollektorsonde (PT1000 nicht mitgeliefert*) |
| 3 Solarwärmetauscher-Einlass | 21 Sonnenkollektor-Schließer |
| 4 Umwälzung | 22 Brauchwasser-Puffer |
| 5 Warmwasserauslass | 23 Solarwärmetauscher-Sonde (nicht mitgeliefert) |
| 8 Solarthermik-Wärmetauscher | 24 Wärmepumpe |
| 10 Ablassventil | 25 Solarpumpe (EIN/AUS-Typ) |
| 16 Umwälzpumpe (EIN/AUS-Typ) | 26 Thermoschutz (mitgeliefert) für Solarpumpe |
| 17 Rückschlagventil | A Grube für Solarsonde und Thermoschutzkugel |
| 18 Automatisches Thermostat-Mischgerät | |

* Wir empfehlen, eine Sonnenkollektor-Sonde PT1000 zu verwenden (verfügbar über die Zubehörliste des Herstellers).

6.7 Elektrische Anschlüsse

Bevor das Gerät an den Netzstrom angeschlossen wird, muss eine Prüfung des elektrischen Systems ausgeführt werden, um sie in Bezug auf die Größe der Kabel und ihrer Konformität mit den geltenden Vorschriften zu verifizieren und zu prüfen, ob das elektrische System geeignet ist, um den Werten der maximalen Leistungsaufnahme des Warmwasserbereiters standzuhalten (siehe Abschnitt 4.2 für technische Merkmale).

Das Gerät ist mit einem Netzkabel mit einem Schuko-Stecker (Abb. 23) ausgestattet und für den Anschluss an den Netzstrom ist Folgendes erforderlich:

- eine Schuko-Netzsteckdose mit Erdung und einem separaten Schutz (Abb. 22);
- ein allpoliger 16 A-Schutzschalter mit einer Kontaktöffnung von mindestens 3 mm;
- ein 30-mA-Differential-Schutzschalter.

Es dürfen nicht mehrere Schalterdosen, Verlängerungskabel oder Adapter verwendet werden.

Die Rohrleitungen des Wasser-, Heiz- oder Gassystems dürfen nicht zur Erdung des Geräts verwendet werden.

Stellen Sie vor dem Betrieb des Geräts sicher, dass die elektrische Netzspannung dem Wert auf dem Typenschild des Geräts entspricht. Der Hersteller des Geräts ist nicht haftbar für Schäden, die dadurch entstanden sind, dass das System nicht geerdet wurde, oder die auf Unregelmäßigkeiten der elektrischen Stromversorgung zurückzuführen sind.

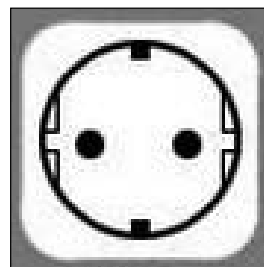


Abb. 22 - Schuko-Steckdose

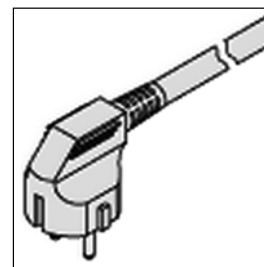


Abb. 23 - Stecker des Geräts

6.7.1 Fernverbindungen

Das Gerät ist so konzipiert, dass es mit anderen Fernenergiesystemen oder Energiezählern verbunden werden kann (Solarthermik, Fotovoltaik, Schwachlast).

EINGÄNGE

- Digital 1 (**DIG1**). Digitaleingang für Solarthermik (*nur für Modelle PCV3*). Im Fall eines Solarthermiksystems mit einem speziellen Steuerungsgerät kann letzteres mit dem Gerät verbunden werden, um die Wärmepumpe zu deaktivieren, wenn eine Stromerzeugung über die Solarquelle erfolgt. Über einen spannungsfreien Kontakt, der sich schließt, wenn das Solarsystem aktiv ist, kann es mit den zwei **weißen** und **braunen** Adern des 6-adrigen Kabels verbunden werden, das mit dem Gerät geliefert wird.

Legen Sie den Parameter **P16=1** fest, um die Ergänzung mit Solarthermik zu aktivieren.

- Digital 2 (**DIG2**). Digitaleingang für Fotovoltaik. Im Fall eines Fotovoltaiksystems, das mit der Anlage verbunden ist, kann es genutzt werden, um Energie in Form von Warmwasser in Zeiten der Überproduktion abzuziehen. Wenn ein spannungsfreier Kontakt vorhanden ist, z. B. über den Inverter, der bei der Überproduktion von Energie geschlossen wird, kann dieser an die zwei **grünen** und **gelben** Adern des 6-adrigen Kabels angeschlossen werden, das mit dem Gerät geliefert wird.

Legen Sie den Parameter **P23=1** fest, um die Ergänzung mit Fotovoltaik zu aktivieren.

- Digital 3 (**DIG3**). Eingang für Schwachlast. Diese Funktion, die nur in einigen Ländern verfügbar ist, ermöglicht die Aktivierung des Geräts dann, wenn ein Signal von außen mit dem bevorzugten Tarif eingespeist wird. Wenn der elektrische Schalter über einen spannungsfreien Kontakt verfügt, der sich schließt, wenn der bevorzugte Tarif verfügbar ist, kann es über die beiden **grauen** und **rosa** Adern des 6-adrigen Kabels verbunden werden, das mit dem Gerät geliefert wird.

Legen Sie den Parameter **P24=1** fest, um die Schwachlast im ECO-Modus zu aktivieren, oder **P24=2**, um die Schwachlast im AUTO-Modus zu aktivieren.

- Digitaleingang (**LPSW**) für den Flussschalter der Solarthermik/ Brauchwasser-Umwälzpumpe (nicht mitgeliefert)
- Analogeingang (**PT1000**) für Sonnenkollektorsonde.

AUSGÄNGE

230 VAC -16 A, Relaisausgang mit Schließer (NO) für Solarthermik/Brauchwasser-Umwälzpumpe (EIN/AUS-Typ).

230 VAC - 5 A, Relaisausgang mit Schließer (NO) für Sonnenkollektor-Schließer/Ablassventil.

Nur für Modelle PCV3



Hinweis: Informationen zu Fernverbindungen und die Konfiguration des Geräts mit diesen Systemen finden Sie in Abschnitt „7.5 Betriebsart“ und „8.1.1 Liste der Geräteparameter“.

6.7.1.1 Fernverbindung

Für eine Verbindung mit den Digitaleingängen ist das Gerät mit einem zusätzlichen 6-adrigen Kabel ausgestattet, das bereits an die PCBA des Raumbedienmoduls angeschlossen ist (im Inneren des Geräts). Die Fernverbindungen mit möglichen Energiesystemen liegen in der Verantwortung des qualifizierten Monteurs (Anschlusskästen, Klemmen und Anschlusskabel). Die folgenden Abbildungen zeigen Beispiele für eine Fernverbindung (Abb. 24 und Abb. 25), die nicht länger als **3 m** sein darf.

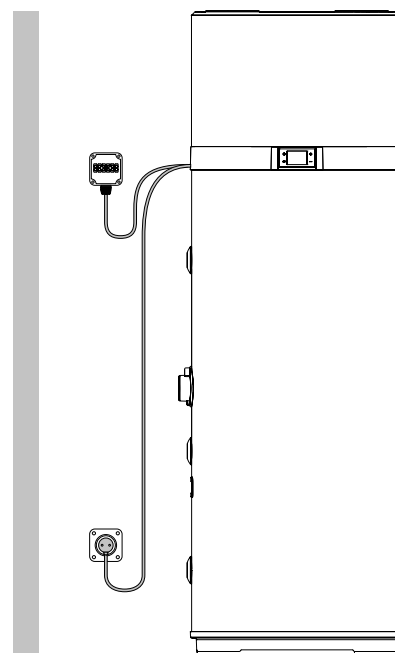


Abb. 24 - Beispiel für eine Fernverbindung

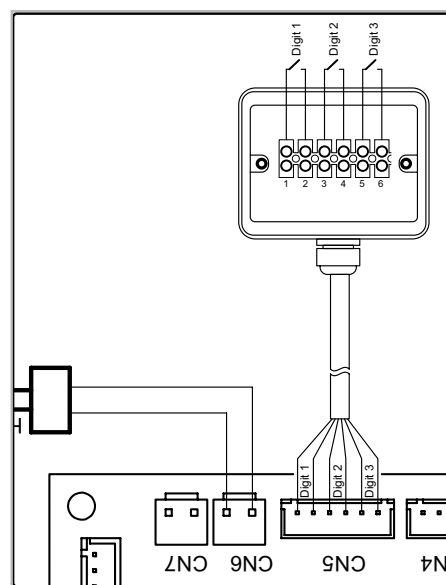


Abb. 25

Um Zugriff auf das 6-adrige Kabel für die Fernverbindung zu erhalten, entfernen Sie die obere Abdeckung des Kessels und führen das Kabel, das bereits im Gerät vorhanden ist, über die spezielle Kabelführung an der rückseitigen Abdeckung zur Außenseite.

6.8 Elektroschaltplan

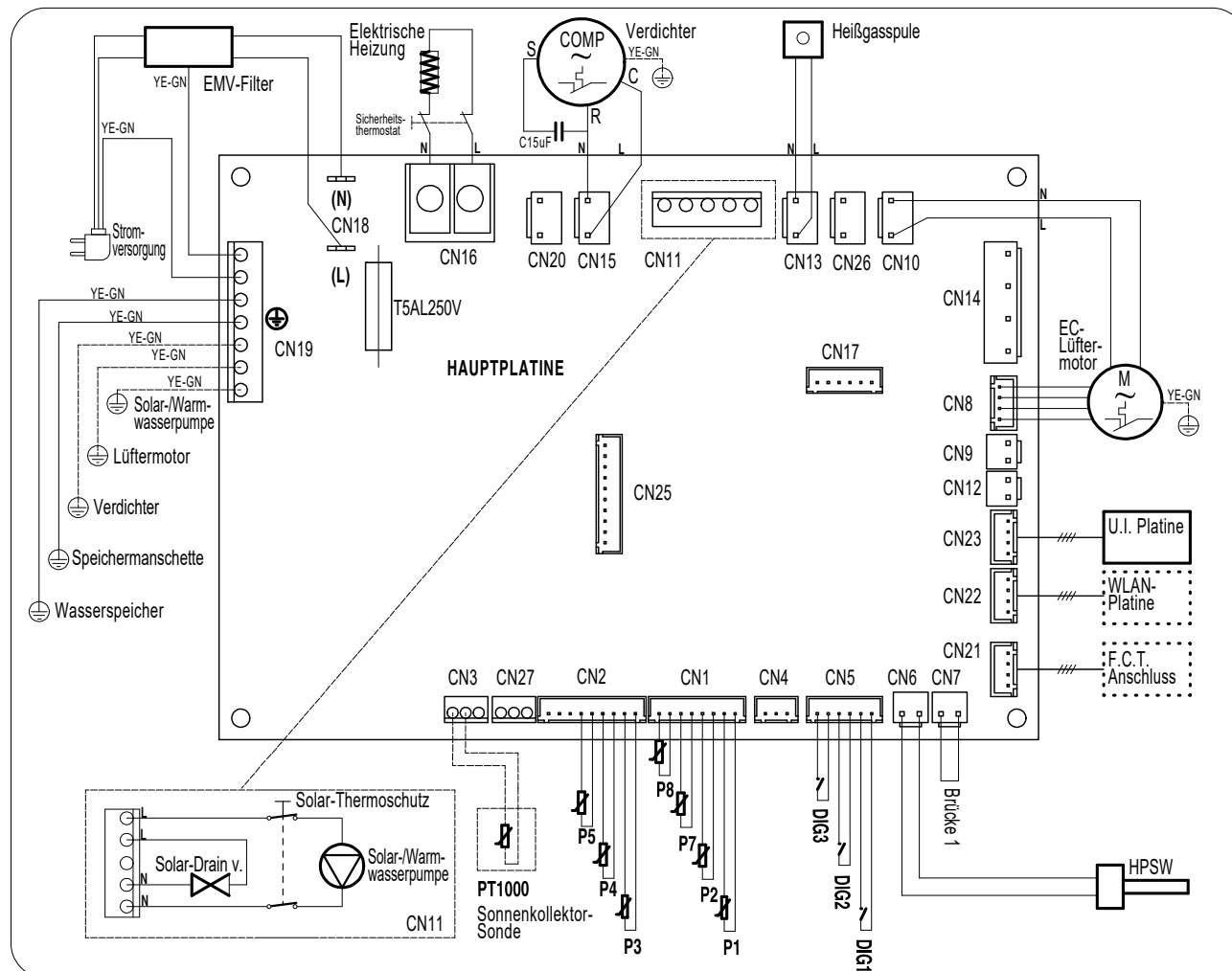


Abb. 26- Beispiелеktroschaltplan

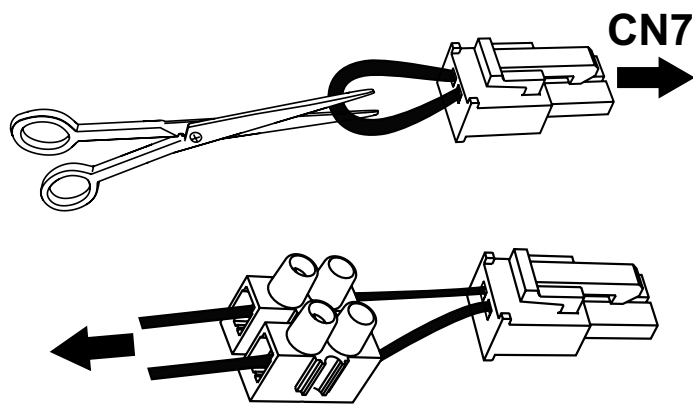
Beschreibung der über die Netzteilkarte verfügbaren Anschlüsse

CN1	NTC-Sonden für Luft, Entfrosteten und Wasser	CN14	Nicht verwendbar
CN2	Nicht verwendbar	CN15	Verdichter-Stromversorgung
CN3	Sonde für Solarthermikverwaltung - <i>Nur für Modelle PCV3</i>	CN16	Heizelement-Stromversorgung
CN4	Nicht verwendbar	CN17	Nicht verwendbar
CN5	Solardigitaleingänge, PV, Schwachlast	CN18	Hauptstromversorgung, 230 V - 1 PH - 50 Hz
CN6	Hochdruckschalter	CN19	Erdung
CN7	Flussschalter für Solarthermik/Brauchwasser- Umwälzpumpe (nicht mitgeliefert)	CN20	230-VAC-Stromversorgung für eingepprägten Strom-Anoden-Umwandler
CN8	Elektronischer Lüfter PWM-Steuerung (EC)	CN21	Anschluss mit Leitungsenden-Prüfung/Test
CN9+CN12	Nicht verwendbar	CN22	WLAN-Kartenanschluss (nicht mitgeliefert)
CN10	Lüfter-Stromversorgung EC, AC	CN23	Anschluss Raumbedienmodul
CN11	Solarthermik/Brauchwasser-Umwälzpumpe (EIN/ AUS-Typ), Ablassventil oder Sonnenkollektor- Schließer - <i>Nur für Modelle PCV3</i>	CN25	Nicht verwendbar
CN13	Stromversorgung Heißgas-Entfrostventil		

Um einen Sicherheits-Flussschalter für die Solarthermik/den Warmwasser-Umwälzkreislauf an das Gerät anzuschließen, fahren Sie wie folgt fort (qualifizierten Technikern vorbehalten):

- Trennen Sie das Gerät von der Stromversorgung.
- Entfernen Sie die obere Abdeckung des Geräts und dann die Abdeckung der Netzteilkarte.
- Trennen Sie die Lötbrücke (Brücke 1) vom Anschluss CN7 der Netzteilkarte und durchschneiden Sie dann den Leiter, der die Brücke bildet, in der Mitte und stellen Sie die Verbindung zu einer geeigneten Klemme her.
- Schließen Sie dann einen Flussschalter vom Öffner-Typ (NC) an und verbinden Sie alles mit CN7.
- Bringen Sie die Kunststoffteile wieder an und stellen Sie sicher, dass das Gerät korrekt installiert ist, bevor Sie es einschalten.

Wenn stattdessen ein Flussschalter vom Schließer-Typ (NO) verwendet wird, muss der Parameter **P15=1** festgelegt werden (siehe Abschnitt 8.1).



Um den Thermoschutz (mitgeliefert) für die Solarumwälzpumpe anzuschließen, fahren Sie wie folgt fort (qualifizierten Technikern vorbehalten):

- Trennen Sie das Gerät von der Stromversorgung.
- Führen Sie die Kugel vollständig in die spezielle Speichergrube ("A") und schließen Sie die Kabelführung;
- Wickeln Sie die Kapillare ausreichend ab, um den Thermoschutz in einem entsprechenden Gehäuse zu platzieren, das an der Wand fixiert ist;
- Verbinden Sie den Thermoschutz in Reihe mit den Leitungs- ("L") und Erdungsanschlüssen ("N") der Stromversorgungsanschlüsse der Solarumwälzpumpe für eine allpolige Trennung.
- Prüfen Sie alle Anschlüsse, bevor Sie die Stromversorgung des Geräts wieder herstellen.

7. BESCHREIBUNG DES RAUMBEDIENMODULS UND BEDIENUNG DES GERÄTS

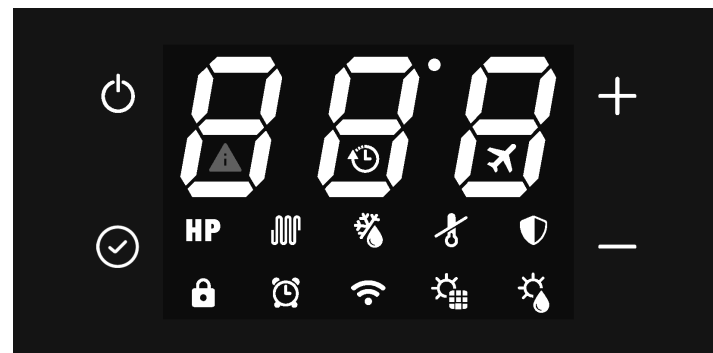


Abb. 27

Beschreibung	Symbol
"Ein/Aus"-Taste zum Einschalten, Versetzen des Produkts in den Standbymodus, Entsperren der Tasten, Speichern der Änderungen	
"Set"-Taste zum Bearbeiten der Parameterwerte, Bestätigen	
Erhöhen-Taste zum Erhöhen der Einstellwerte, Parameter oder des Kennworts	
Verringern-Taste zum Verringern der Einstellwerte, Parameter oder des Kennworts	
Wärmepumpen-Betrieb (ECO-Modus)	HP
Heizelement-Betrieb (ELEKTRISCHER Modus)	
AUTOMATIKmodus	HP +
BOOST-Modus (Symbole blinken)	HP +
Tastensperre aktiv	
Entfrosten	
Frostschutz	
Anti-Legionellen-Zyklus	
Urlaubsmodus	
Betrieb mit Zeitphasen	
Uhreinstellung (Symbol blinkt)	
Mit WLAN verbunden (für diese Modelle nicht verfügbar)	
Fotovoltaik-Modus (Symbol blinkt, wenn der Zusatz nicht aktiv ist)	
Solarthermik-Modus (Symbol blinkt, wenn der Zusatz nicht aktiv ist)	
Fehler oder Schutz aktiv	
Schwachlastmodus (Symbol blinkt, wenn das Gerät im Standby bleibt)	

Das Raumbdienmodul dieses Warmwasserbereiter-Modells umfasst vier kapazitive Tasten und ein LED-Display.

Sobald der Warmwasserbereiter läuft, werden die vier Tasten von hinten beleuchtet und alle Symbole und Displaysegmente leuchten gleichzeitig 3 Sekunden lang.

Während des normalen Betriebs des Produkts zeigen die drei Stellen des Displays die Wassertemperatur in °C, gemessen über die obere Wassersonde, wenn der Parameter P11 auf 1 gesetzt ist, oder über die untere Wassersonde, wenn P11=0 gesetzt ist.

Während der Änderung des ausgewählten Betriebsmodus-Sollwerts wird die Sollwerttemperatur im Display angezeigt.

Die Symbole zeigen den ausgewählten Betriebsmodus, ob Alarmer bestehen, den WLAN-Verbindungsstatus und andere Informationen zum Produktstatus.

7.1 Ein-/Ausschalten des Warmwasserbereiters und Entsperrn der Tasten

Wenn der Warmwasserbereiter korrekt betrieben wird, kann er "eingeschaltet" und in einen der verfügbaren Betriebsmodi (ECO, Automatisch usw.) oder in den Standbymodus versetzt werden.

Während des Standbymodus werden die vier kapazitiven Tasten zur leichteren Sichtbarkeit von hinten beleuchtet, das WLAN-Symbol leuchtet entsprechend dem Verbindungsstatus mit dem externen WLAN-Router (nicht mitgeliefert) und, wenn keine Alarmer vorliegen und der Frostschutz nicht aktiv ist, leuchten alle anderen Symbole sowie die Segmente der drei Stellen nicht.

Einschalten



Wenn sich der Warmwasserbereiter im Standbymodus befindet und die "Tastensperren"-Funktion aktiv ist (Schlosssymbol unten links leuchtet), müssen die Tasten zuerst "entsperrt" werden, indem Sie die Ein/Aus-Taste mindestens 3 Sekunden lang drücken (das Schlosssymbol erlischt). Drücken Sie dann die EIN/AUS-Taste erneut 3 Sekunden lang, um den Warmwasserbereiter einzuschalten.

Ausschalten


Wenn der Warmwasserbereiter eingeschaltet und die "Tastensperren"-Funktion aktiv ist, müssen die Tasten zuerst "entsperrt" werden, indem Sie die Ein/Aus-Taste mindestens 3 Sekunden lang drücken. Drücken Sie dann die EIN/AUS-Taste erneut 3 Sekunden lang, um den Warmwasserbereiter auszuschalten (in den Standbymodus zu versetzen).

In jedem Status wird 60 Sekunden nach dem letzten Betätigen einer der vier Tasten des Raumbdienmoduls die Tastensperren-Funktion automatisch aktiviert, um mögliche Interaktionen mit dem Warmwasserbereiter zum Beispiel durch Kinder usw. zu verhindern. Gleichzeitig wird die Hintergrundbeleuchtung der Tasten und des Displays verringert, um den Stromverbrauch des Geräts zu reduzieren. Durch die Betätigung einer der vier Tasten werden die Hintergrundbeleuchtung der Tasten und des Displays zur besseren Sichtbarkeit unmittelbar auf das normale Niveau zurückgesetzt.

7.2 Einstellen der Uhr

Drücken Sie, wenn die Tasten entsperrt sind, die Taste  3 Sekunden lang, um auf die Uhreinstellungen zuzugreifen (das Symbol  blinkt).

Stellen Sie die Zeit mit den Tasten "+" und "-" ein, drücken Sie "" zur Bestätigung und stellen Sie dann die Minuten ein.



Drücken Sie die Taste  zur Bestätigung und schließen Sie die Einstellung.

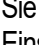
7.3 Einstellen der Zeitphasen


Die Uhr des Geräts muss eingestellt worden sein, bevor Sie die Zeitphasen aktivieren.


Wählen Sie die gewünschte Betriebsart aus und stellen Sie dann die Zeitphasen ein.


Die Zeitphasen können nur in den Modi ECO, AUTOMATISCH, BOOST, ELEKTRISCH und BELÜFTUNG aktiviert werden.

Wenn die Tasten entsperrt sind, drücken Sie die Tasten  und "-" zusammen 3 Sekunden lang, um die Zeitphasen einzustellen (das Symbol  wird angezeigt).

Stellen Sie die Einschaltzeit mit den Tasten "+" und "-" ein, drücken Sie "" zur Bestätigung und stellen Sie dann die Minuten für die Einschaltzeit ein.




Drücken Sie  zur Bestätigung und wechseln Sie zur Einstellung der Ausschaltzeit.

Drücken Sie  zur Bestätigung und wählen Sie mit den Tasten "+" und "-" den gewünschten Betriebsmodus für die Zeitphase aus (ECO, AUTOMATISCH, BOOST, ELEKTRISCH, BELÜFTUNG).

Drücken Sie  zur Bestätigung und schließen Sie die Einstellung.


Hinweis: Am Ende der Zeitphase wechselt das Gerät in den Standby-Modus und verbleibt in diesem Modus, bis die Zeitphase am nächsten Tag wiederholt wird.



So deaktivieren Sie die Zeitphasen:

- Setzen Sie die Ein- und Ausschaltzeiten auf Mitternacht (00:00);
- Drücken Sie zum Bestätigen ;
- Drücken Sie die Taste  und "-" gleichzeitig 3 Sekunden lang (das Symbol  erlischt).

7.4 Einstellen des Warmwasser-Sollwerts

In den Modi ECO, AUTOMATISCH, BOOST und ELEKTRISCH kann der Warmwasser-Sollwert angepasst werden.

Wählen Sie den gewünschten Modus mit der Taste  und passen Sie dann den Sollwert mit den Tasten "+" und "-" an.

Drücken Sie die Taste  zur Bestätigung und  zum Verlassen.

Modus	Warmwasser-Sollwert	
	Bereich	Standardwert
ECO	43÷62°C	55°C
AUTOMATISCH	43÷62°C	55°C
BOOST	43÷75°C*	55°C
ELEKTRISCH	43÷75°C	55°C

* Im BOOST-Modus liegt der maximale Sollwert für die Wärmepumpe bei 62°C. Daher gilt das Einstellen eines höheren Werts nur für das Heizelement.

7.5 BETRIEBSART

Die folgenden Modi sind für diesen Warmwasserbereiter verfügbar:

- ECO;
- BOOST;
- ELEKTRISCH;
- BELÜFTUNG;
- URLAUB;
- AUTOMATISCH.

Das Gerät befindet sich im ECO-Modus. Wenn Sie die Taste  drücken, können Sie den gewünschten Modus auswählen.

In den Modi ECO, BOOST und AUTOMATISCH können Sie durch gleichzeitiges Drücken der Taste "+" und "-" für 3 Sekunden den Flüsterbetrieb aktivieren (zum Beispiel in der Nacht), der die Geräuschentwicklung durch das Gerät reduziert. In diesem Modus kann sich die Leistung in Bezug auf die Wasseraufheizrate verringern.

Um diesen Modus zu deaktivieren, drücken Sie erneut 3 Sekunden lang die Tasten "+" und "-".

7.5.1 ECO

Das Display zeigt das Symbol **HP**.

Bei diesem Modus wird nur die Wärmepumpe innerhalb der Betriebsbeschränkungen des Geräts verwendet, um eine maximal mögliche Energieeinsparung sicherzustellen.

Die Wärmepumpe wird 5 Minuten nach Auswahl dieses Modus oder nach der letzten Abschaltung ausgewählt.

Bei einer Abschaltung bleibt die Wärmepumpe innerhalb der ersten 5 Minuten dennoch eingeschaltet, um mindestens 5 Minuten des Dauerbetriebs sicherzustellen.

7.5.2 BOOST

Das Display zeigt das Symbol **HP+HP** blinkt.


Dieser Modus verwendet die Wärmepumpe und das Heizelement innerhalb der Betriebsbeschränkungen des Geräts, um ein schnelleres Heizen sicherzustellen.

Die Wärmepumpe wird 5 Minuten nach Auswahl dieses Modus oder nach der letzten Abschaltung ausgewählt.

Bei einer Abschaltung bleibt die Wärmepumpe innerhalb der ersten 5 Minuten dennoch eingeschaltet, um mindestens 5 Minuten des Dauerbetriebs sicherzustellen.

Das Heizelement wird sofort eingeschaltet.

7.5.3 ELEKTRISCH

Das Display zeigt das Symbol .

In diesem Modus wird nur das Heizelement innerhalb der Betriebsbeschränkungen des Geräts verwendet, was in Situationen mit niedrigen Einlasslufttemperaturen praktisch ist.


7.5.4 BELÜFTUNG

Das Display zeigt die Meldung **FRn**.

In diesem Modus wird nur der elektronische Lüfter im Gerät verwendet, was praktisch ist, um bei Bedarf die Luft im Installationsraum zirkulieren zu lassen.


Im automatischen Modus wird der Lüfter auf die minimale Geschwindigkeit angepasst.

7.5.5 URLAUB

Das Display zeigt das Symbol .

Dieser Modus ist praktisch, wenn Sie für eine bestimmte Zeit nicht da sind und das Gerät im automatischen Modus vorfinden möchten.

Mit den Tasten + und - können Sie Tage der Abwesenheit festlegen, während derer das Gerät im Standby-Modus verbleiben soll.

Drücken Sie  und dann Ein/Aus zur Bestätigung.



7.5.6 AUTOMATISCH

Das Display zeigt das Symbol **HP + HP**.

In diesem Modus werden die Wärmepumpe und bei Bedarf auch das Heizelement innerhalb der Betriebsbeschränkungen des Geräts verwendet, um den bestmöglichen Komfort sicherzustellen.


Die Wärmepumpe wird 5 Minuten nach Auswahl dieses Modus oder nach der letzten Abschaltung ausgewählt.


Bei einer Abschaltung bleibt die Wärmepumpe innerhalb der ersten 5 Minuten dennoch eingeschaltet, um mindestens 5 Minuten des Dauerbetriebs sicherzustellen.

7.6 ZUSATZFUNKTIONEN

7.6.1 Solarmodus oder oder oder (Nur für Modelle PCV3)


Wenn der Solarmodus über das Monteurmenü aktiviert wurde, sind nur die Modi ECO, AUTOMATISCH und URLAUB verfügbar.


Wenn das Symbol  im Display blinkt, ist der Solarmodus nicht in Betrieb und das Gerät läuft im eingestellten Modus: ECO, AUTOMATISCH oder URLAUB.

Wenn das Symbol  im Display leuchtet, wird mit der vom Solarsystem erzeugten Energie das Wasser im Speicher über den Solarwärmetauscher geheizt.

7.6.2 Fotovoltaik-Modus oder oder +

Wenn der Fotovoltaik-Modus über das Monteurmenü aktiviert wurde, sind nur die Modi ECO, AUTOMATISCH und URLAUB verfügbar.

Wenn das Symbol  im Display blinkt, ist der Fotovoltaik-Modus nicht in Betrieb und das Gerät läuft im eingestellten Modus: ECO, AUTOMATISCH oder URLAUB.


Wenn das Symbol  im Display leuchtet, wird mit der vom Fotovoltaik-System erzeugten Energie das Wasser im Speicher geheizt.


Wenn der ECO-Modus ausgewählt ist, läuft die Wärmepumpe bis zum Erreichen des Sollwerts und das Heizelement wird eingeschaltet, bis der Fotovoltaik-Sollwert erreicht ist, der über das Monteurmenü eingestellt wurde.

Andernfalls kann auch, wenn der AUTOMATISCH-Modus ausgewählt ist, das Heizelement eingeschaltet werden, bevor der Sollwert dieses Modus erreicht ist, wenn die Bedingungen es erforderlich machen.


7.6.3 Schwachlastmodus oder oder

Wenn der Fotovoltaik-Modus über das Monteurmenü aktiviert wurde, sind nur die Modi ECO und AUTOMATISCH verfügbar.

Wenn das Symbol  im Display blinkt, läuft der Schwachlastmodus nicht, das Gerät verbleibt im Standby-Modus und die Wärmepumpe und das Heizelement sind ausgeschaltet.

Andernfalls läuft das Gerät im Modus ECO oder AUTOMATISCH, wenn das Symbol  im Display leuchtet.

7.6.4 Anti-Legionellen

Das Display zeigt das Symbol .

Alle zwei Wochen wird zur eingestellten Zeit ein Wasserheizzyklus über das Heizelement im Speicher bis zur Anti-Legionellen-Temperatur ausgeführt und für die festgelegte Zeit beibehalten. Wenn der Zyklus beim Erreichen der Anti-Legionellen-Temperatur nicht innerhalb von 10 Stunden korrekt ausgeführt wurde, wird er gestoppt und nach 2 Wochen erneut ausgeführt. Wenn die Anforderung für die Anti-Legionellen-Funktion eintritt, während der URLAUBS-Modus ausgewählt ist, wird der Anti-Legionellen-Zyklus sofort ausgeführt, wenn das Gerät nach den eingestellten Tagen der Abwesenheit reaktiviert wird.

Anti-Legionellen-Parameter	Bereich	Standardwert
Anti-Legionellen-Temperatur-Sollwert (P3)	50÷75°C	75°C
Anti-Legionellen-Zyklusdauer (P4)	0÷90 Min.	30 Min.
Aktivierungszeit Anti-Legionellen-Zyklus (P29)	0÷23 Std.	23 Std.


7.6.5 Entfrosten-Funktion

Das Display zeigt das Symbol .

Dieses Gerät verfügt über eine automatische Verdampfer-Entfrosten-Funktion, die während des Wärmepumpenbetriebs aktiviert wird, wenn es die Betriebsbedingungen erforderlich machen.

Das Entfrosten erfolgt durch das Zuführen von heißem Gas in den Verdampfer, sodass dieser schnell entfrosten werden kann. Beim Entfrosten wird das Heizelement, mit dem das Gerät ausgestattet ist, ausgeschaltet, wenn keine andere Einstellung über das Monteurmenü vorgenommen wurde (Parameter P6). Die maximale Dauer des Entfrostens liegt bei 8 Minuten.

7.6.6 Frostschutz














Das Display zeigt das Symbol .

Dieser Schutz verhindert, dass die Wassertemperatur im Speicher Werte im Bereich von Null erreicht.

Wenn sich das Gerät im Standby-Modus befindet und die Wassertemperatur im Speicher unter oder bei 5°C liegt (Parameter kann über das Monteurmenü konfiguriert werden), wird die Frostschutzfunktion aktiviert, die das Heizelement einschaltet, bis 12°C erreicht wurden (Parameter kann über das Monteurmenü konfiguriert werden).

7.7 Fehler/Schutz

Dieses Gerät verfügt über ein Selbstdiagnose-System, das einige mögliche Fehler oder Schutzfunktionen für ungewöhnliche Betriebsbedingungen durch eine Erkennung, Signalisierung und Übernahme von Notfallschritten bis zur Behebung des Fehlers abdeckt.

Fehler/Schutz	Fehlercode	Anzeige im Display
Fehler untere Speichersonde	P01	 +P01
Fehler obere Speichersonde	P02	 +P02
Fehler Entforstensonde	P03	 +P03
Fehler Lufteinlasssonde	P04	 +P04
Fehler Verdampfer-Einlasssonde	P05	 +P05
Fehler Verdampfer-Auslasssonde	P06	 +P06
Fehler Verdichter-Flusssonde	P07	 +P07
Fehler Sonnenkollektor-Sonde	P08	 +P08
Hochdruckschutz	E01	 +E01
Alarm Solar-/Umwälzkreislauf	E02	 +E02
Alarm Temperatur für Wärmepumpenbetrieb nicht geeignet (Wenn der Alarm aktiv ist, wird das Wasser nur über das Heizelement geheizt)	PA	 +PA
Keine Kommunikation (Wenn der Alarm aktiv ist, läuft das Gerät nicht)	E08	 +E08
Fehler elektronischer Lüfter	E03	 +E03

Wenn einer der oben aufgeführten Fehler auftritt, müssen Sie den technischen Kundendienst des Herstellers kontaktieren. Nennen Sie diesem den Fehlercode, der im Display angezeigt wird.

8. INBETRIEBNAHME



ACHTUNG: Stellen Sie sicher, dass das Gerät mit der Erdung verbunden wurde.



ACHTUNG: Stellen Sie sicher, dass die Leitungsspannung der auf dem Typenschild des Geräts entspricht.



ACHTUNG: Das Gerät darf erst eingeschaltet werden, wenn es mit Wasser befüllt wurde.

Fahren Sie für die Inbetriebnahme mit den folgenden Schritten fort:

- Wenn das Gerät installiert wurde und alle Anschlüsse hergestellt wurden (Luft, Hydraulik, Elektrik usw.), muss es über die Hauswasserversorgung mit Wasser gefüllt werden. Um das Gerät zu befüllen, müssen Sie den Zentralhahn der Hauswasserversorgung und den nächstgelegenen Warmwasserhahn öffnen und sicherstellen, dass die Luft im Speicher schrittweise entweicht.
- Überschreiten Sie nicht den maximal zulässigen Druck, der im Abschnitt "Allgemeine technische Daten" aufgeführt ist.
- Prüfen Sie die Sicherheitsvorrichtungen des Wasserkreislaufs.
- Schließen Sie das Gerät an die Netzsteckdose an.
- Wenn der Stecker angeschlossen wird, befindet sich der Kessel im Standbymodus, das Display bleibt ausgeschaltet und die Netztaaste leuchtet.
- Wenn Sie die EIN/AUS-Taste drücken, wird das Gerät im "ECO"-Modus aktiviert (werkseitige Einstellung).

Bei einem plötzlichen Stromausfall läuft das Gerät nach der Wiederherstellung der Stromversorgung in der Betriebsart weiter, die vor der Unterbrechung eingestellt war.

8.1 Abrufen und Bearbeiten der Betriebsparameter

Dieses Gerät verfügt über zwei spezielle Menüs für das Abrufen und Bearbeiten der Betriebsparameter (siehe „8.1.1 Liste der Geräteparameter“).

Wenn das Gerät läuft, können die Parameter jederzeit frei aufgerufen werden, indem Sie die Tasten entsperren (siehe „7.1 Ein-/Ausschalten des Warmwasserbereiters und Entsperren der Tasten“) und die Tasten "⊙" und "+" zusammen 3 Sekunden lang drücken. Die Bezeichnung des ersten Parameters wird im Display mit dem Buchstaben "A" angezeigt. Wenn Sie die Taste "+" drücken, wird der Wert des Parameters angezeigt. Wenn Sie diese Taste erneut drücken, wird die Bezeichnung des zweiten Parameters "B" angezeigt und so weiter.

Die gesamte Parameterliste kann mit den Tasten "+" und "-" nach oben/unten gescrollt werden.

Drücken Sie zum Schließen die "EIN/AUS"-Taste.

Die Bearbeitung von einem oder mehreren Betriebsparametern kann nur erfolgen, wenn sich das Gerät im Standbymodus befindet. Hierzu ist zudem die Eingabe des Kennworts erforderlich.



Hinweis: Die Verwendung des Kennworts ist qualifizierten Personen vorbehalten. Alle Konsequenzen in Folge falscher Parametereinstellungen liegen in der alleinigen Verantwortung des Kunden. Daher werden alle Eingriffe, die vom Kunden von einem autorisierten technischen DAIKIN-Kundendienstcenter während der Standard-Garanzienlaufzeit für Produktprobleme aufgrund fehlerhafter Einstellungen der kennwortgeschützten Parameter angefordert werden, nicht von der Standardgarantie abgedeckt.

Wenn die Tasten entsperrt sind, drücken Sie **nur im Standbymodus** die Tasten "⊙" und "+" zusammen mindestens 3 Sekunden lang, um das Geräteparameter-Einstellungsmenü aufzurufen (kennwortgeschützt: 35). Das Display zeigt die beiden Ziffern "00". Drücken Sie die Taste "⊙". Die Ziffer "0" auf der linken Seite blinkt. Wählen Sie mit "+" und "-" die erste Ziffer aus, um (3) einzugeben, und drücken Sie "⊙" zur Bestätigung. Fahren Sie auf die gleiche Art mit der zweiten Stelle (5) fort.

Wenn das Kennwort korrekt ist, wird der Parameter P1 angezeigt. Durch Drücken der Taste "+" wird der Standardwert dieses Parameters angezeigt, der durch Drücken von ⊙ und Verwenden der Tasten "+" und "-" innerhalb des für diesen Parameter zulässigen Bereichs geändert werden kann. Drücken Sie dann zur Bestätigung ⊙ und die Taste "+", um mit den anderen Parametern fortzufahren.

Drücken Sie nach der Bearbeitung der gewünschten Parameter die Ein-/Aus-Taste, um die Eingabe zu speichern und das Menü zu schließen.

Das Gerät kehrt zum Standbymodus zurück.

8.1.1 Liste der Geräteparameter

Parameter	Beschreibung	Bereich	Standardwert	Hinweise
A	Untere Wassertemperatursonde	-30÷99°C	Gemessener Wert	Nicht veränderbar
B	Obere Wassertemperatursonde	-30÷99°C	Gemessener Wert	Nicht veränderbar
C	Entfrost-Temperatursonde	-30÷99°C	Gemessener Wert	Nicht veränderbar
D	Zufuhr-Lufttemperatursonde	-30÷99°C	Gemessener Wert	Nicht veränderbar
E	Verdampfer-Einlass Gastemperatur-Sonde	-30÷99°C	Gemessener Wert / "0°C" wenn P33=0	Nicht veränderbar (1)
F	Verdampfer-Auslass Gastemperatur-Sonde	-30÷99°C	Gemessener Wert / "0°C" wenn P33=0	Nicht veränderbar (1)
G	Verdichterauslass Gastemperatur-Sonde	0÷125°C	Gemessener Wert / "0°C" wenn P33=0	Nicht veränderbar (1)
H	Sonnenkollektor Temperatursonde (PT1000)	0÷150°C	Gemessener Wert / "0°C" wenn P16=2	Nicht veränderbar (2)
I	EEV-Öffnungsschritt	30÷500	Gemessener Wert / P40-Wert wenn P39=1	Nicht veränderbar (1)
J	Firmwareversion Netzteilkarte	0÷99	Aktueller Wert	Nicht veränderbar
L	Firmwareversion Raumbedienmodul	0÷99	Aktueller Wert	Nicht veränderbar
P1	Hysterese bei unterer Wassertemperatur für Wärmepumpenbetrieb	2÷15°C	7°C	Veränderbar
P2	Einschaltverzögerung elektrisches Heizelement	0÷90 Min.	6 Min.	Funktion ausgenommen
P3	Anti-Legionellen-Sollwerttemperatur	50°C÷75°C	75°C	Veränderbar
P4	Anti-Legionellen-Dauer	0÷90 Min.	30 Min.	Veränderbar
P5	Entfrost-Modus	0=Verdichter-Stopp 1=Heißgas	1	Veränderbar
P6	Nutzung elektrisches Heizelement während Entfrost	0=AUS 1=EIN	0	Veränderbar
P7	Verzögerung zwischen zwei aufeinanderfolgenden Entfrostzyklen	30÷90 Min.	60 Min.	Veränderbar
P8	Temperaturschwellenwert für Entfrost-Start	-30÷0°C	-5°C	Veränderbar
P9	Temperaturschwellenwert für Entfrost-Stopp	2÷30°C	3°C	Veränderbar
P10	Maximale Entfrostendauer	3 Min.+12 Min.	10 Min.	Veränderbar
P11	Im Display angezeigter Wassertemperatur-Sondenwert	0=unterer 1=oberer	1	Veränderbar
P12	Nutzungsmodus externe Pumpe	0=immer AUS 1=Warmwasser-Zirkulation 2=Solarthermiksystem	1	Veränderbar
P13	Betriebsmodus Warmwasser-Umwälzpumpe	0=mit Wärmepumpe 1=immer EIN	0	Veränderbar
P14	Typ Verdampferlüfter (EC, AC, AC mit doppelter Geschwindigkeit, EC mit dynamischer Geschwindigkeitssteuerung)	0=EC 1=AC 2=AC mit doppelter Geschwindigkeit 3 = EC mit dynamischer Geschwindigkeitssteuerung	3	Veränderbar
P15	Art des Sicherheits-Flussschalters für Warm-/Solar-Wasserumwälzkreislauf, Niederdruckwahlschalter	0=NC 1=NO 2 = Niederdruckwahlschalter	0	Veränderbar
P16	Solarmodus-Integration	0=dauerhaft deaktiviert 1=Betrieb mit DIG1 2=Direktsteuerung des Solarthermiksystems	0	Veränderbar (2)
P17	Wärmepumpen-Startverzögerung nach DIG1-Öffnung	10÷60 Min.	20 Min.	Veränderbar (2)
P18	Temperaturwert untere Wassertemperatursonde zum Stoppen der Wärmepumpe in Solarmodus-Integration=1 (Betrieb mit DIG1)	20÷60°C	40°C	Veränderbar (2)

Parameter	Beschreibung	Bereich	Standardwert	Hinweise
P19	Hysterese an unterer Wassersonde zum Starten der Pumpe in Solarmodus-Integration=2 (Direktsteuerung des Solarthermiksystems)	5÷20°C	10°C	Veränderbar (2)
P20	Temperaturgrenzwert für Solarablassventil/ Sonnenkollektor Roll-Schließreaktion in Solarmodus-Integration=2 (Direktsteuerung des Solarthermiksystems)	100÷150°C	140°C	Veränderbar (2)
P21	Temperaturwert untere Wassersonde zum Stoppen der Wärmepumpe in Fotovoltaik-Modus-Integration	30÷70°C	62°C	Veränderbar
P22	Temperaturwert obere Wassersonde zum Stoppen des elektrischen Heizelements in Fotovoltaik-Modus-Integration	30÷80°C	75°C	Veränderbar
P23	Fotovoltaik-Modus-Integration	0=dauerhaft deaktiviert 1=aktiviert	0	Veränderbar
P24	Schwachlast-Betriebsmodus	0=dauerhaft deaktiviert 1=aktiviert mit ECO 2=aktiviert mit AUTO	0	Veränderbar
P25	Versatzwert gegenüber der oberen Wassertemperatursonde	-25÷25°C	2°C	Veränderbar
P26	Versatzwert gegenüber der unteren Wassertemperatursonde	-25÷25°C	2°C	Veränderbar
P27	Versatzwert gegenüber der Lufteinlass-Temperatursonde	-25÷25°C	0°C	Veränderbar
P28	Versatzwert gegenüber der Entfrost-Temperatursonde	-25÷25°C	0°C	Veränderbar
P29	Anti-Legionellen-Startstunde	0÷23 Stunden	23 Stunden	Veränderbar
P30	Hysterese bei oberer Wassersonde für Betrieb elektrisches Heizelement	2÷20°C	7°C	Veränderbar
P31	Wärmepumpen-Betriebszeitraum im AUTO-Modus für Heizratenberechnung	10÷80 Min.	30 Min.	Veränderbar
P32	Temperaturgrenzwert für Verwendung elektrisches Heizelement im AUTO-Modus	0÷20°C	4°C	Veränderbar
P33	Steuerung elektronisches Expansionsventil (EEV)	0=dauerhaft deaktiviert 1=aktiviert	1	Veränderbar (1)
P34	Überhitzungs-Berechnungszeitraum für automatischen EEV-Steuerungsmodus	20÷90 s	30 s	Veränderbar (1)
P35	Überhitzungs-Sollwert für automatischen EEV-Steuerungsmodus	-8÷15°C	4°C	Veränderbar (1)
P36	Enthitzungs-Sollwert für automatischen EEV-Steuerungsmodus	60÷110°C	88°C	Veränderbar (1)
P37	EEV-Schrittöffnung während Entfrost-Modus (x10)	5÷50	15	Veränderbar (1)
P38	Minimal EEV-Schrittöffnung im automatischen Steuerungsmodus (x10)	3~45	9	Veränderbar (1)
P39	EEV-Steuerungsmodus	0=automatisch 1=manuell	0	Veränderbar (1)
P40	Ausgangs-EEV-Schrittöffnung mit automatischem Steuerungsmodus / EEV-Schrittöffnung mit manuellem Steuerungsmodus (x10)	5÷50	25	Veränderbar (1)
P41	AKP1-Temperaturgrenzwert für EEV-KP1-Zunahme	-10÷10°C	-1	Veränderbar (1)
P42	AKP2-Temperaturgrenzwert für EEV-KP2-Zunahme	-10÷10°C	0	Veränderbar (1)
P43	AKP3-Temperaturgrenzwert für EEV-KP3-Zunahme	-10÷10°C	0	Veränderbar (1)

Parameter	Beschreibung	Bereich	Standardwert	Hinweise
P44	EEV-KP1-Zunahme	-10÷10	2	Veränderbar (1)
P45	EEV-KP2-Zunahme	-10÷10	2	Veränderbar (1)
P46	EEV-KP3-Zunahme	-10÷10	1	Veränderbar (1)
P47	Maximal zulässige Einlasstemperatur für Wärmepumpenbetrieb	38÷43°C	43°C	Veränderbar
P48	Minimal zulässige Einlasstemperatur für Wärmepumpenbetrieb	-10÷10°C	-7°C	Veränderbar
P49	Grenzwert für Einlasstemperatur für Verdampfer EC oder AC mit doppelter Geschwindigkeit, Gebläsegeschwindigkeitseinstellung	10÷40°C	25°C	Veränderbar
P50	Frostschutz unterer Wassertemperatur-Sollwert	0÷15°C	12°C	Veränderbar
P51	Verdampfer EC Gebläse Sollwert höhere Geschwindigkeit	60÷100%	90%	Veränderbar
P52	Verdampfer EC Gebläse Sollwert untere Geschwindigkeit	10÷60%	50%	Veränderbar
P53	EC Verdampferlüfter Sollwert Entfrostengeschwindigkeit	0÷100%	50%	Veränderbar
P54	Niederdruckschalter Bypass-Zeit	1÷240 Min.	1	Veränderbar
P55	Band 1 Verdampfer Temperatur proportionale Regelung	1÷20°C	4°C	Veränderbar
P56	Differenzialtemperatur mit Aktivierung der maximalen Geschwindigkeit	P57÷20°C	2°C	Veränderbar
P57	Differenzialtemperatur mit Deaktivierung der maximalen Geschwindigkeit	1°C÷P56	1°C	Veränderbar
P58	Verwendung des Verdampferlüfters mit ausgeschaltetem Verdichter	0=AUS 1 = EIN mit manueller Geschwindigkeitssteuerung 2 = EIN mit automatischer Geschwindigkeitssteuerung	0	Veränderbar
P59	Verdampfer-Lüftergeschwindigkeit (EC) mit ausgeschaltetem Verdichter	0÷100%	40%	Veränderbar
P60	Temperaturdifferenz 1 der Luftverdampfung für die Berechnung des Sollwerts	1÷25°C	4°C	Veränderbar
P61	Temperaturdifferenz 2 der Luftverdampfung für die Berechnung des Sollwerts	1÷25°C	2°C	Veränderbar
P62	Temperaturdifferenz 3 der Luftverdampfung für die Berechnung des Sollwerts	1÷25°C	6°C	Veränderbar
P63	Temperaturdifferenz 4 der Luftverdampfung für die Berechnung des Sollwerts	1÷25°C	3°C	Veränderbar
P64	Temperaturdifferenz 5 der Luftverdampfung für die Berechnung des Sollwerts	1÷25°C	10°C	Veränderbar
P65	Temperaturdifferenz 6 der Luftverdampfung für die Berechnung des Sollwerts	1÷25°C	18°C	Veränderbar
P66	Band 2 Verdampfer Temperatur proportionale Regelung	1÷20°C	2°C	Veränderbar
P67	Band 3 Verdampfer Temperatur proportionale Regelung	1÷20°C	9°C	Veränderbar
P68	Band 4 Verdampfer Temperatur proportionale Regelung	1÷20°C	5°C	Veränderbar
P69	Band 5 Verdampfer Temperatur proportionale Regelung	1÷20°C	10°C	Veränderbar
P70	Band 6 Verdampfer Temperatur proportionale Regelung	1÷20°C	5°C	Veränderbar

Parameter	Beschreibung	Bereich	Standardwert	Hinweise
P71	EC-Verdampfer-Lüftergeschwindigkeit Reduzierung für Flüstermodus	0÷40%	15%	Veränderbar
P72	EC-Lüftergeschwindigkeit Regulatorzunahme	1÷100	5	Veränderbar

(1)=BEI DIESEM GERÄT NICHT VERWENDBAR
(2)=NUR FÜR DIE MODELLE "EKHHE200PCV37, EKHHE260PCV37"

9. PROBLEMBEHEBUNG



**ACHTUNG: Versuchen Sie nicht, das Gerät selbst zu reparieren.
Die folgenden Prüfungen dürfen nur von qualifizierten Personen durchgeführt werden.**

Fehler	Empfohlene Aktion
Das Gerät schaltet sich nicht ein.	<ul style="list-style-type: none"> • Prüfen Sie, ob das Gerät über die Netzsteckdose mit Strom versorgt wird. • Trennen Sie das Gerät und schließen Sie es nach einigen Minuten wieder an. • Prüfen Sie das Netzkabel im Produkt. • Prüfen Sie, ob die Sicherung in der Netzteilkarte intakt ist. Ist dies nicht der Fall, tauschen Sie sie gegen eine IEC-60127-2/II-zertifizierte träge 5 A-Sicherung aus.
Das Wasser kann über die Wärmepumpe im ECO- oder AUTOMATISCH-Modus nicht aufgewärmt werden.	<ul style="list-style-type: none"> • Schalten Sie das Gerät aus und dann nach einigen Stunden wieder ein. • Trennen Sie das Gerät von der Netzsteckdose, lassen Sie einen Teil des Wassers im Speicher ab (ungefähr 50%), füllen Sie ihn wieder auf und schalten Sie das Gerät erneut im ECO-Modus ein.
Die Wärmepumpe läuft immer und stoppt nie.	<ul style="list-style-type: none"> • Prüfen Sie ohne Entnahme von Warmwasser aus dem Produkt in ein paar Stunden, ob ein Aufheizen über die Wärmepumpe erfolgt.
Das Wasser kann über das integrierte Heizelement im AUTOMATISCH-Modus nicht aufgewärmt werden.	<ul style="list-style-type: none"> • Schalten Sie das Gerät aus und prüfen Sie den Sicherheitsthermostat des Heizelements im Gerät und setzen Sie ihn bei Bedarf zurück. Schalten Sie das Gerät dann im AUTOMATISCH-Modus ein. • Trennen Sie das Gerät von der Netzsteckdose, lassen Sie einen Teil des Wassers im Speicher ab (ungefähr 50%), füllen Sie ihn wieder auf und schalten Sie das Gerät im AUTOMATISCH-Modus wieder ein. • Rufen Sie das Monteurmenü auf und erhöhen Sie den Wert des Parameters P32, z. B. auf 7°C. • Prüfen Sie, ob der Sicherheitsthermostat des Heizelements ausgelöst wurde (siehe 9.2).

9.1 Austauschen der Netzteilkartensicherung

Führen Sie die folgenden Schritte aus (qualifiziertem technischen Personal vorbehalten):

- Trennen Sie das Gerät von der Stromversorgung.
- Entfernen Sie die obere Abdeckung des Geräts und dann die Abdeckung der Netzteilkarte.
- Entfernen Sie die Sicherungskappe und dann die Sicherung mit einem geeigneten Schraubendreher.
- Setzen Sie eine neue IEC-60127-2/II-zertifizierte träge 5A-Sicherung (T5AL250V) ein und bringen Sie die Schutzkappe wieder an.
- Bringen Sie die Kunststoffteile wieder an und stellen Sie sicher, dass das Gerät korrekt installiert ist, bevor Sie es einschalten.

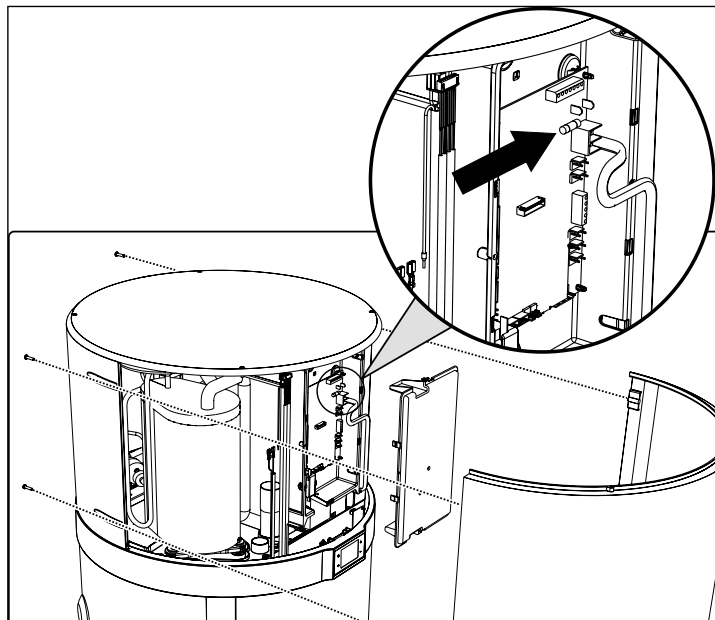


Abb. 28

9.2 Zurücksetzen des Heizelement-Sicherheitsthermostats

Das Gerät verfügt über einen manuell zurücksetzbaren Sicherheitsthermostat, der in Reihe mit dem im Wasser versenkten Heizelement verbunden ist und im Fall einer Übertemperatur im Speicher die Stromversorgung unterbricht. Fahren Sie bei Bedarf wie folgt fort, um den Thermostat zurückzusetzen (qualifiziertem technischen Personal vorbehalten):

- Trennen Sie das Produkt vom Netzstrom.
- Entfernen Sie alle Luftkanäle.
- Entfernen Sie die obere Abdeckung, indem Sie die Sperrschrauben lösen (Abb. 29).
- Entfernen Sie die Frontblende und setzen Sie den ausgelösten Sicherheitsthermostat manuell zurück (Abb. 30). Im Fall eines Auslösens steht der zentrale Stift des Thermostats ungefähr 2 mm heraus.

- Bringen Sie die zuvor abgenommene obere Abdeckung wieder an.

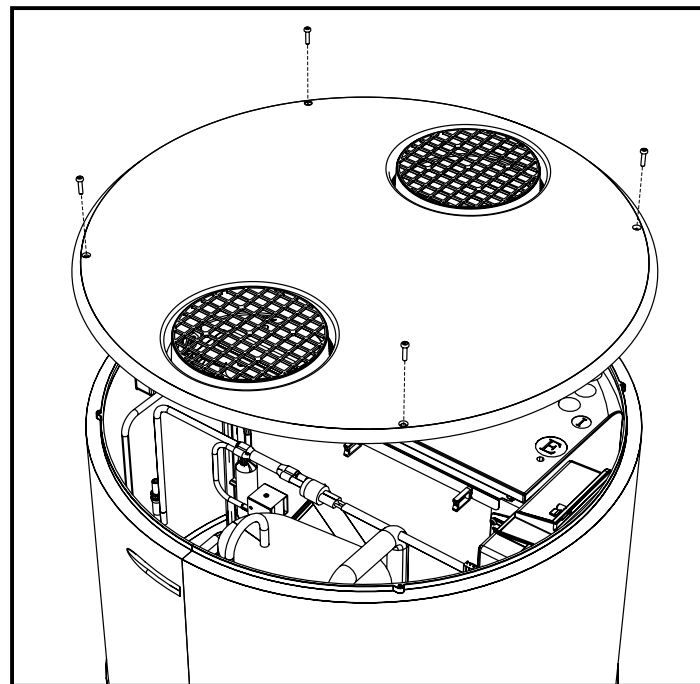


Abb. 29 - Entfernen der oberen Abdeckung

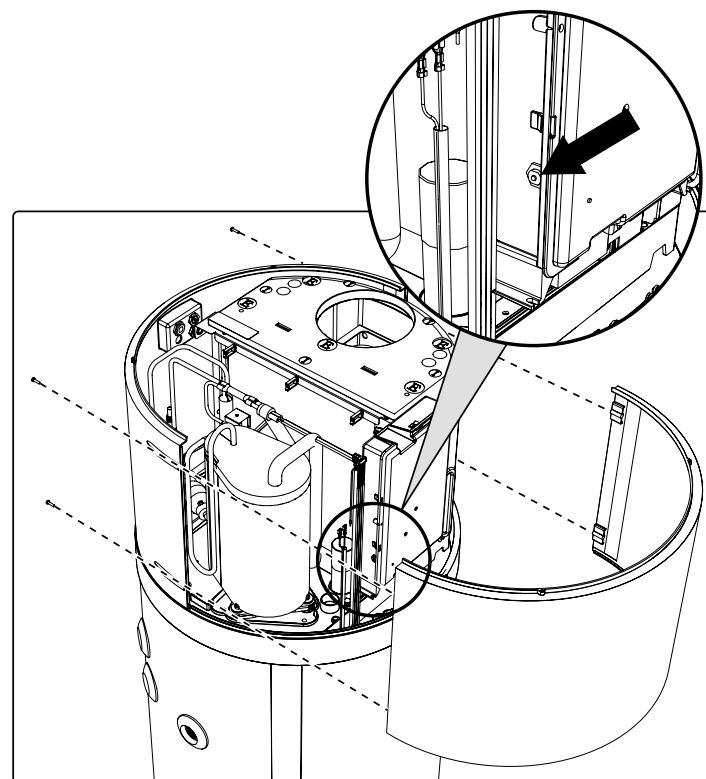


Abb. 30 - Entfernen der Frontblende

! **ACHTUNG:** Das Auslösen des Sicherheitsthermostats kann durch einen Fehler in Verbindung mit der Steuerungsplatine verursacht werden oder weil sich kein Wasser im Speicher befindet.

! **ACHTUNG:** Die Durchführung von Reparaturarbeiten an Teilen mit einer Sicherheitsfunktion gefährdet den sicheren Betrieb des Geräts. Tauschen Sie fehlerhafte Teile nur durch Original-Ersatzteile aus.

! **Hinweis:** Das Auslösen des Thermostats schließt den Betrieb des Heizelements aus, aber nicht den Betrieb des Wärmepumpensystems innerhalb der zulässigen Betriebsbeschränkungen.

! **ACHTUNG!** Wenn der Bediener den Fehler nicht finden kann, schalten Sie das Gerät aus und wenden Sie sich an den technischen Kundendienst. Nennen Sie diesem das Modell des gekauften Produkts.

10. WARTUNG

! **ACHTUNG:** Alle Reparaturen am Gerät müssen durch qualifizierte Personen ausgeführt werden. Unsachgemäße Reparaturen können den Benutzer in große Gefahr bringen. Wenden Sie sich an das Servicecenter, wenn das Gerät repariert werden muss.

! **ACHTUNG:** Stellen Sie sicher, dass das Gerät nicht mit Strom versorgt wird und es nicht versehentlich zu einer Stromversorgung kommen kann, bevor Sie Wartungsarbeiten vornehmen. Trennen Sie daher die Stromversorgung bei jeglichen Wartungs- oder Reinigungsarbeiten.

10.1 Prüfung/Austausch der Opferanode

Die Magnesiumanode (Mg), die auch als "Opferanode" bezeichnet wird, verhindert das Auslösen von Oberflächenkorrosionsprozessen durch den im Kessel generierten Wirbelstrom.

Magnesium ist im Vergleich zu dem Material, mit dem die Innenseite des Kessels beschichtet ist, ein schwach geladenes Metall und zieht daher zuerst die negativen Ladungen an, die sich durch das Erhitzen des Wassers bilden, und verbraucht sich so selbst. Die Anode "opfert" sich selbst, indem sie anstelle des Kessels korrodiert. Der Kessel verfügt über zwei Anoden, eine im unteren Teil des Kessels und eine im oberen Teil des Kessels (der Bereich, der einer stärkeren Korrosion ausgesetzt ist).

Die Integrität der Magnesiumanoden muss mindestens alle zwei Jahre (vorzugsweise einmal pro Jahr) überprüft werden. Dieser Vorgang muss von einer qualifizierten Personen durchgeführt werden.

Vor der Überprüfung:

- Schließen Sie den Kaltwassereinlass.
- Lassen Sie danach den Kessel ab (siehe Abschnitt „10.2 Ablassen des Kessels“).
- Schrauben Sie die obere Anode ab und prüfen Sie ihre Korrosion. Wenn die Korrosion mehr als 2/3 der Anodenfläche betrifft, tauschen Sie sie aus.

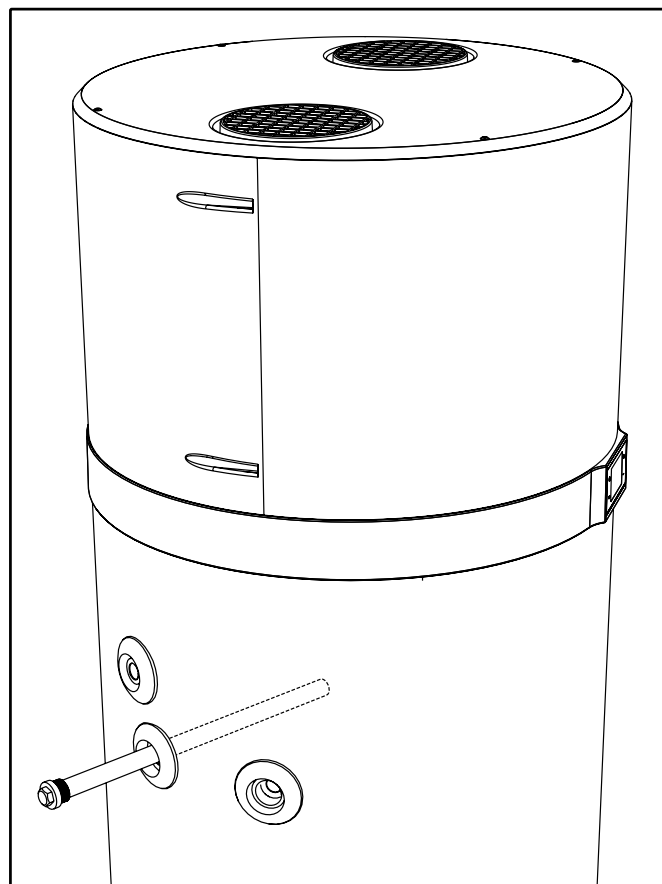


Abb. 31

Die Anoden verfügen über eine spezielle Dichtung, um das Austreten von Wasser zu verhindern. Wir empfehlen die Verwendung von anaerobem Gewindedichtungsmittel, das für die Verwendung in Heizinstallationssystemen geeignet ist. Die Dichtungen müssen bei der Prüfung und beim Austausch der Anode durch neue ausgetauscht werden.

10.2 Ablassen des Kessels

Wenn der Kessel nicht verwendet wird, empfehlen wir, insbesondere bei niedrigen Temperaturen, das Wasser im Kessel abzulassen. Trennen Sie bei diesem Geräte einfach den Wassereinlassanschluss (siehe Abschnitt „6.5 Hydraulikanschlüsse“). Alternativ sollten Sie bei der Einrichtung des Systems einen Abflusshahn mit einer Schlauchverbindung montieren.

! **Hinweis:** Denken Sie bei niedrigen Temperaturen daran, das System zu leeren, um ein Einfrieren zu verhindern.

11. ENTSORGUNG

Am Ende der Nutzung muss die Wärmepumpe in Einklang mit den aktuellen Vorschriften entsorgt werden.



ACHTUNG: Dieses Gerät enthält fluorierte Treibhausgase, die durch das Kyoto-Protokoll abgedeckt werden. Wartungs- und Entsorgungsvorgänge dürfen nur von qualifizierten Personen ausgeführt werden.

INFORMATIONEN FÜR DIE BENUTZER



Gemäß den Richtlinien 2011/65/EU und 2012/19/EU zur Beschränkung der Verwendung gefährlicher Stoffe in Elektro- und Elektronikgeräten sowie zur Entsorgung von Abfall gilt Folgendes.

Das Symbol der durchgestrichenen Mülltonne auf dem Gerät oder seiner Verpackung zeigt an, dass das Produkt am Ende seiner Nutzungsdauer getrennt von anderen Abfällen gesammelt werden muss.

Am Ende der Nutzungsdauer muss der Benutzer das Produkt zu einem entsprechenden Recyclingcenter für Elektro- und Elektronikgeräte bringen oder es beim Kauf eines neuen Produkts an den Händler zurückgeben.

Die ordnungsgemäße Abfalltrennung für ein späteres umweltverträgliches Recycling, eine Behandlung und/oder Entsorgung des außer Betrieb genommenen Geräts trägt dazu bei, mögliche nachteilige Auswirkungen auf Umwelt und Gesundheit zu vermeiden und die Wiederverwendung und/oder Wiederverwertung der Materialien des Geräts zu fördern.

Eine unautorisierte Entsorgung des Produkts durch den Benutzer zieht die durch die geltende Gesetzgebung vorgegebenen Strafen nach sich.

Dieses Gerät besteht aus den folgenden Hauptmaterialien:

- Stahl
- Magnesium
- Kunststoff
- Kupfer
- Aluminium
- Polyurethan

12. PRODUKTDATENBLATT

Beschreibungen	Einheit	EKHHE200CV37	EKHHE260CV37	EKHHE200PCV37	EKHHE260PCV37
Deklariertes Lastprofil	-	L	XL	L	XL
Warmwasserbereiter-Thermostattemperatur-Einstellungen	°C	55	55	55	55
Warmwasserbereitung Energieeffizienzklasse ⁽¹⁾	-	A+	A+	A+	A+
Warmwasserbereitung Energieeffizienz - η_{wh} ⁽¹⁾	%	135	138	135	138
COP _{DHW} ⁽¹⁾	-	3,23	3,37	3,23	3,37
Jährlicher Stromverbrauch - AEC ⁽¹⁾	kWh	761	1210	761	1210
Warmwasserbereitung Energieeffizienz - η_{wh} ⁽²⁾	%	106	112	106	112
COP _{DHW} ⁽²⁾	-	2,55	2,73	2,55	2,73
Jährlicher Stromverbrauch - AEC ⁽²⁾	kWh	944	1496	944	1496
Warmwasserbereitung Energieeffizienz - η_{wh} ⁽³⁾	%	162	160	162	160
COP _{DHW} ⁽³⁾	-	3,89	3,9	3,89	3,9
Jährlicher Stromverbrauch - AEC ⁽³⁾	kWh	631	1046	631	1046
Innen-Schalleistungspegel ⁽⁴⁾	dB (A)	53	51	53	51
Außen-Schalleistungspegel ⁽⁴⁾	dB (A)	45	44	45	44
Der Warmwasserbereiter kann nur in Schwachlastzeiten laufen.	-	NEIN	NEIN	NEIN	NEIN
Alle speziellen Vorsichtsmaßnahmen, die zum Zeitpunkt des Aufbaus, der Installation oder der Wartung des Warmwasserbereiters berücksichtigt werden müssen	-	Siehe Bedienungsanleitung			

(1): Daten gemäß Standard EN 16147:2017 für Durchschnittsklima (Einheit im ECO-Modus; Einlasswasser = 10° C; Einlasslufttemperatur = 7°C DB/6°C WB)

(2): Daten gemäß Standard EN 16147:2017 für KÄLTERES Klima (Einheit im ECO-Modus; Einlasswasser = 10° C; Einlasslufttemperatur = 2°C DB/1°C WB)

(3): Daten gemäß Standard EN 16147:2017 für WÄRMERES Klima (Einheit im ECO-Modus; Einlasswasser = 10° C; Einlasslufttemperatur = 14°C DB/13°C WB)

(4): Daten gemäß EN 12102-2:2019, ECO-Modus mit Einlasslufttemperatur = 7°C DB/6°C WB

1. CONSIGNES DE SÉCURITÉ GÉNÉRALES.....	2
2. INTRODUCTION	6
2.1 Produits	6
2.2 Avis de non-responsabilité.....	6
2.3 Langue.....	6
2.4 Droit d'auteur	7
2.5 Versions et configurations disponibles.....	7
3. MANIPULATION ET TRANSPORT	7
3.1 Réception.....	7
4. CARACTÉRISTIQUES DE CONSTRUCTION	9
4.1 Données dimensionnelles.....	10
4.2 Caractéristiques techniques	11
5. INFORMATIONS IMPORTANTES	12
5.1 Conformité aux réglementations européennes.....	12
5.2 Indice de protection du boîtier	12
5.3 Limites de fonctionnement.....	12
5.4 Limites de fonctionnement	12
5.5 Règles de sécurité de base	13
5.6 Informations concernant le réfrigérant utilisé	13
6. INSTALLATION ET RACCORDEMENTS	13
6.1 Préparation de l'emplacement d'installation	13
6.2 Fixation au sol.....	14
6.3 Raccordements aérauliques.....	14
6.4 Fixation et raccordements de cet appareil.....	16
6.5 Branchements hydrauliques	16
6.6 Intégration au système thermique solaire (<i>uniquement pour les modèles EKHHE200PCV37 et EKHHE260PCV37</i>)	17
6.7 Branchements électriques	18
6.8 Schéma de câblage.....	20
7. DESCRIPTION DE L'INTERFACE UTILISATEUR ET DU FONCTIONNEMENT DE L'ÉQUIPEMENT	21
7.1 Allumer et éteindre le chauffe-eau et déverrouiller les boutons.....	22
7.2 Réglage de l'horloge.....	22
7.3 Définition des plages horaires	22
7.4 Réglage du point de consigne de l'eau chaude.....	22
7.5 Mode de fonctionnement	23
7.6 Autres caractéristiques	24
7.7 Pannes/protection.....	25
8. MISE EN SERVICE	26
8.1 Interrogation, modification des paramètres de fonctionnement.....	26
9. DÉPANNAGE	30
9.1 Remplacement du fusible de la carte d'alimentation	31
9.2 Réinitialisation du thermostat de sécurité de l'élément chauffant.....	31
10. MAINTENANCE	32
10.1 Vérification/remplacement de l'anode sacrificielle.....	32
10.2 Vidage de la chaudière	32
11. MISE AU REBUT.....	33
12. FICHE PRODUIT.....	33

1. CONSIGNES DE SÉCURITÉ GÉNÉRALES

ATTENTION:

- Ce manuel fait partie intégrante du produit. Gardez-le soigneusement avec l'appareil, et donnez-le au prochain utilisateur/propriétaire en cas de changement de propriété.
- Ces consignes sont également disponibles auprès du service après-vente du fabricant et sur son site Web: www.daikin.eu
- Lisez avec attention les consignes et les avertissements dans ce manuel, car ils contiennent des informations importantes concernant l'installation, l'utilisation et la maintenance en toute sécurité.

AVERTISSEMENTS DE SÉCURITÉ

L'appareil ne peut être utilisé que pour son utilisation spécifique. Le fabricant décline toute responsabilité en cas de dommages causés par une utilisation inadéquate ou incorrecte ou en cas de non-respect des consignes données dans ce manuel.

L'appareil n'est pas destiné à être utilisé par des personnes (y compris les enfants) dont les capacités physiques, sensorielles ou mentales sont réduites ou les personnes sans expérience ou connaissances, sauf si elles ont reçu des consignes et elles ont été surveillées précédemment lors de l'emploi de cet appareil par une personne responsable de leur sécurité.

Vous devez surveiller les enfants afin de vous assurer qu'ils ne jouent pas avec l'appareil.

Cet appareil peut être utilisé par des enfants âgés de 8 ans ou plus, et par ceux et celles dont la capacité physique, sensorielle ou mentale est réduite ou qui sont dénués d'expérience ou de connaissance, s'ils sont surveillés correctement ou si des consignes pour une utilisation en toute sécurité de l'appareil leur ont été données et les risques impliqués leur sont clairs.

Les enfants ne sont pas autorisés à jouer avec cet appareil.

L'eau chauffée à plus de 50°C peut causer des brûlures graves et immédiates si elle est acheminée directement aux robinets. Les enfants, les personnes handicapées et les personnes âgées sont particulièrement exposés au danger. Il est recommandé d'installer une vanne mélangeuse thermostatique sur le conduit de distribution d'eau.

Cet appareil ne doit en aucun cas être nettoyé ou entretenu par des enfants sans surveillance.

Ne touchez pas l'appareil en étant pieds nus ou si une partie de votre corps est mouillée.

Ne laissez pas de matériaux inflammables en contact avec l'appareil ou à proximité de ce dernier.

L'appareil doit être vidé lorsqu'il reste hors service dans une région où la température descend sous la barre du zéro. Vidangez comme cela est décrit dans le chapitre correspondant.

PRÉCAUTIONS LORS DE L'INSTALLATION

L'appareil doit être installé et mis en service par un technicien qualifié conformément à la législation locale et aux réglementations en matière de santé et de sécurité. Tous les circuits électriques doivent être hors tension avant d'ouvrir le bornier.

Une installation incorrecte peut provoquer des dommages aux biens et des blessures aux personnes et aux animaux; le fabricant ne pourra être tenu responsable des conséquences.

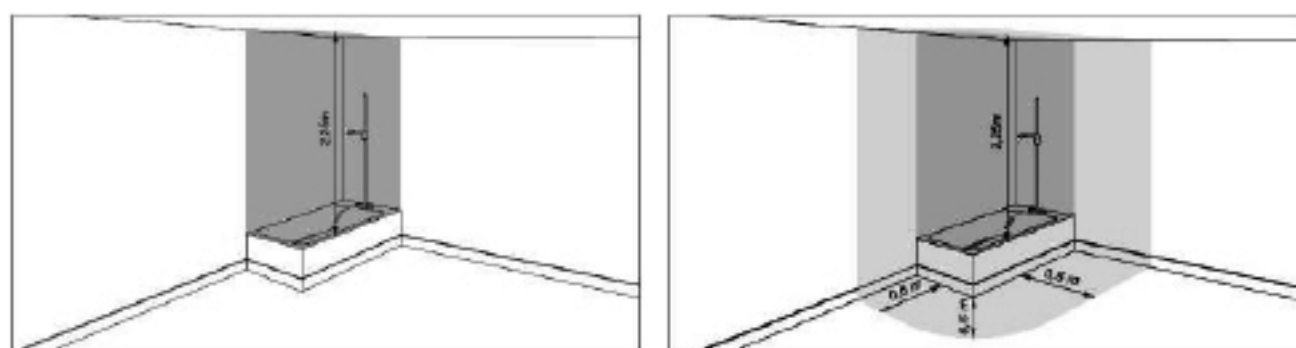
Ce produit est lourd, manipulez-le avec soin et installez le produit dans une pièce à l'abri du gel.

Veillez à ce que le sol puisse supporter le poids de l'appareil rempli d'eau.

La destruction de l'appareil par surpression en raison du blocage du dispositif de sécurité annule la garantie.

AVERTISSEMENTS CONCERNANT L'INSTALLATION

Lorsque vous installez ce produit dans une salle de bain, n'utilisez pas l'"espace interdit" et respectez, au moins, l'"espace protégé" répertorié comme indiqué ci-dessous:



Espace interdit

Espace protégé

Ce produit doit être placé dans un emplacement accessible.

Le chauffe-eau doit être fixé au sol au moyen des supports de fixation fournis à cet effet et les adhésifs ne sont pas considérés comme des moyens de fixation fiables.

Ce produit est conçu pour être utilisé à une altitude maximale de 2000 m.

Reportez-vous à la description et aux illustrations des paragraphes 6.1, 6.2 et 6.4.

AVERTISSEMENTS SUR LES RACCORDEMENTS AÉRAULIQUES

Le fonctionnement simultané d'un foyer à chambre ouverte (p. ex. une cheminée à foyer ouvert) et de la pompe à chaleur engendre une pression négative dangereuse dans la pièce. La pression négative peut causer un retour de gaz d'échappement dans la pièce. Ne faites pas fonctionner la pompe à chaleur en même temps qu'un foyer à chambre ouverte.

Utilisez uniquement des foyers à chambre étanche (homologués) avec une alimentation en air comburant séparée.

Scellez les portes des chaufferies qui ne disposent pas d'entrée d'air comburant en commun avec les pièces à vivre.

Une grille de protection convenable doit être installée aux raccordements d'admission et de rejet d'air pour éviter toute entrée de corps étrangers dans l'équipement.

Reportez-vous à la description et aux illustrations du paragraphe 6.3. "Raccordements aérauliques".

AVERTISSEMENTS SUR LES RACCORDEMENTS HYDRAULIQUES

Il est obligatoire de visser un dispositif contre la surpression adéquat (non fourni) sur le tuyau de prise d'eau de l'appareil. Dans les pays qui reconnaissent la norme EN 1487, le tuyau de prise d'eau de l'appareil doit être équipé d'un dispositif de sécurité conforme à la norme mentionnée précédemment.

Il doit être neuf, au format 3/4" et étalonné avec une pression maximale de 0,7 MPa, inclure au moins un robinet, un clapet anti-retour, une vanne de sécurité et une coupure de charge hydraulique.

Le dispositif de sécurité ne peut en aucun cas être altéré et il doit pouvoir fonctionner fréquemment afin de vérifier qu'il n'est pas bloqué et pour pouvoir enlever tout dépôt de calcaire.

De l'eau peut s'égoutter du tube de refoulement du dispositif de décharge de pression et le tuyau doit rester ouvert à l'atmosphère. Le tube de refoulement raccordé au dispositif de décharge de pression doit être installé en descente permanente et dans un environnement exempt de gel.

Un détendeur (non fourni) est nécessaire lorsque la pression d'eau d'entrée est supérieure à 0,7 MPa (7 bar), et doit être fixé sur les conduites d'eau.

La pression d'eau d'entrée minimale pour un fonctionnement correct de l'appareil est de 0,15 MPa (1,5 bar).

Raccordez un tuyau en caoutchouc au conduit d'évacuation des condensats en veillant à ne pas trop forcer afin d'éviter de casser le tuyau d'évacuation et reportez-vous au paragraphe "6.6.1".

Utilisez uniquement des tuyaux de raccordement (non fournis), rigides et résistants à l'électrolyse aussi bien à l'entrée de l'eau froide qu'à la sortie de l'eau chaude de l'appareil.

Pour les modèles qui incorporent un échangeur de chaleur (serpentin solaire), le circuit ne doit en aucun cas excéder les 1,0 MPa (10 bar) et sa température les 80°C.

Reportez-vous à la description et aux illustrations du paragraphe 6.6 «Raccordements hydrauliques» et du paragraphe 6.7 «Intégration au système thermique solaire».

AVERTISSEMENTS SUR LES BRANCHEMENTS ÉLECTRIQUES

Le système doit être installé conformément aux réglementations nationales en matière de câblage.

L'installation électrique doit inclure un disjoncteur omnipolaire avec une séparation des contacts sur tous les pôles capable de garantir une déconnexion complète en cas de surtension de catégorie III en amont de l'appareil, conformément aux réglementations d'installation locales en vigueur.

L'appareil doit être protégé par un interrupteur différentiel adéquat (maximum 30 mA). Le type d'interrupteur différentiel doit être sélectionné en déterminant le type d'appareils électriques utilisés par le système dans son ensemble.

Le raccord de mise à la terre est obligatoire. Le fabricant de l'appareil ne peut pas être tenu responsable des dommages causés par un défaut de mise à la terre du système ou par une anomalie de l'alimentation électrique.

Il est strictement interdit de raccorder l'appareil au secteur CA au moyen de rallonges ou d'un multiprise.

Avant d'enlever le couvercle, veuillez vous assurer que l'appareil est hors tension afin d'empêcher toute blessure ou décharge électrique.

Reportez-vous respectivement à la description et aux illustrations au paragraphe 6.8 des «Branchements électriques» et au paragraphe 6.9 du «Schéma de câblage».

AVERTISSEMENTS SUR L'ENTRETIEN - LA MAINTENANCE - LE DÉPANNAGE

Tout travail de réparation, maintenance, plomberie et branchement électrique doit être effectué par des techniciens qualifiés à l'aide de pièces de rechange d'origine uniquement. Le non-respect des consignes ci-dessus peut compromettre la sécurité de l'appareil et libère le fabricant de toute responsabilité quant aux conséquences.

Pour vider l'appareil: coupez l'alimentation électrique et l'eau froide, ouvrez les robinets d'eau chaude et faites ensuite fonctionner la vanne de purge du dispositif de sécurité.

La soupape de décharge de pression doit fonctionner régulièrement pour enlever les dépôts de calcaire et pour vous en assurer qu'elle n'est pas bloquée.

L'appareil est équipé d'un câble d'alimentation qui en cas d'endommagement doit être remplacé par le fabricant, son agent de service ou des personnes possédant des qualifications semblables afin d'éviter tout danger.

L'appareil intègre une cartouche fusible miniature temporisée qui, en cas de bris, doit être remplacée par un modèle de fusible "T5AL250V" conforme à la norme CEI 60127.

Reportez-vous à la description et aux illustrations du chapitre 9 "DÉPANNAGE" et du chapitre 10 "MAINTENANCE" respectivement.

2. INTRODUCTION

Ce manuel d'installation et de maintenance fait partie intégrante de la pompe à chaleur (ci-après "équipement").




Ce manuel doit être conservé pour pouvoir s'y reporter ultérieurement jusqu'au moment du démontage. Il est prévu pour le spécialiste de l'installation (installateurs - techniciens de maintenance) et l'utilisateur final. Ce manuel décrit les procédures d'installation à respecter pour un fonctionnement correct et sûr de l'équipement, ainsi que les méthodes d'utilisation et de maintenance.

En cas de vente ou de transfert à un autre utilisateur, le manuel doit accompagner l'appareil.

Avant d'installer et/ou d'utiliser l'équipement, lisez attentivement ce mode d'emploi, et en particulier le chapitre 5 concernant la sécurité.

Le manuel doit toujours être conservé avec l'appareil et toujours disponible pour le personnel d'installation et de maintenance qualifié.

Les symboles suivants sont utilisés dans le manuel pour mettre en évidence les informations les plus importantes:

	Attention
	Procédures à suivre
	Informations/suggestions

2.1 Produits

Cher client, chère cliente,
Merci d'avoir acheté ce produit.

Notre société, toujours soucieuse des problèmes environnementaux, utilise des technologies et des matériaux à faible impact environnemental dans ses produits, conformément aux normes DEEE de l'UE (2012/19/UE – RoHS 2011/65/UE).

2.2 Avis de non-responsabilité

La conformité des présentes instructions d'utilisation avec le matériel et les logiciels a été soigneusement vérifiée. Des différences peuvent cependant être présentes; et nous déclinons toute responsabilité quant à la conformité totale.

Dans l'intérêt de l'amélioration technique, nous nous réservons le droit d'apporter à tout moment des modifications à la construction ou aux données techniques. Toute réclamation basée sur des indications, illustrations, plans ou descriptions est par conséquent exclue. Ils peuvent faire l'objet de possibles maladresses.

Le constructeur décline toute responsabilité pour dommages causés par des erreurs de commande, une utilisation incorrecte ou inadéquate, ou en raison de réparations ou modifications non autorisées.

2.3 Langue

Le manuel a été écrit en italien (IT), la langue d'origine du fabricant.

Toute traduction en une langue supplémentaire doit se faire à partir des consignes d'origine.

Le fabricant sera tenu pour responsable des informations contenues dans les consignes d'origine; les traductions en différentes langues ne peuvent être entièrement vérifiées, par conséquent, en cas d'incohérence, il est nécessaire de suivre le texte de la langue d'origine ou de contacter notre bureau de documentation technique.

2.4 Droit d'auteur

Les présentes instructions d'utilisation contiennent des informations protégées par le droit d'auteur. Aucune partie des présentes instructions d'utilisation ne peut être photocopiée, reproduite, traduite ou enregistrée sur un support de stockage sans l'autorisation préalable du fournisseur. Toute violation fera l'objet d'une indemnisation des dommages. Tous les droits, y compris ceux qui résultent de la délivrance de brevets ou de l'enregistrement de modèles d'utilité, sont réservés.

2.5 Versions et configurations disponibles

Cet appareil intègre une pompe à chaleur de 1,9 kW et peut être disposé selon différentes configurations, en fonction de l'intégration possible de sources de chaleur supplémentaires (p. ex. un chauffage solaire) ou en fonction de la capacité de la chaudière.

Version	Description de configuration
EKHHE200CV37 EKHHE260CV37	Pompe à chaleur à air pour production d'eau chaude sanitaire (ECS)
EKHHE200PCV37 EKHHE260PCV37	Pompe à chaleur à air pour production d'ECS équipée au préalable pour le système thermique solaire.

3. MANIPULATION ET TRANSPORT

L'équipement est emballé dans une caisse en carton(*).

Il est fixé sur une palette au moyen de trois vis.

Pour le décharger, utilisez un chariot élévateur ou un transpalette adéquat.

L'équipement emballé peut être placé horizontalement et le dos vers le bas pour faciliter le retrait des vis de fixation.

Le déballage doit se faire soigneusement afin de ne pas endommager le boîtier de l'équipement si vous utilisez des couteaux ou des cutters pour ouvrir l'emballage en carton.

Une fois l'emballage retiré, vérifiez l'intégrité de l'appareil. En cas de doute, n'utilisez pas l'appareil; contactez du personnel technique autorisé.

Avant d'éliminer l'emballage, toujours selon les réglementations de protection de l'environnement en vigueur, veuillez vous en assurer que tous les accessoires fournis ont été enlevés.

(*) Remarque: le type d'emballage peut subir des modifications à l'initiative du fabricant.

Pour l'entièreté de la période pendant laquelle l'équipement reste inutilisé, en attendant la mise en service, il est recommandé de le placer dans un endroit à l'abri des agents atmosphériques

3.1 Réception

En plus des appareils, les emballages contiennent des accessoires et de la documentation technique destinée à l'utilisation et à l'installation. Vérifiez que les éléments suivants sont présents:

- 1x manuel d'utilisation, d'installation et de maintenance;
- 3x supports de fixation plus vis;
- 1x coupure thermique (uniquement pour EKHHE200PCV3 et EKHHE260PCV3).

Pour l'entièreté de la période pendant laquelle l'équipement reste inutilisé, en attendant la mise en service, il est recommandé de le placer dans un endroit à l'abri des agents atmosphériques.

Positions autorisées pour le transport et la manipulation

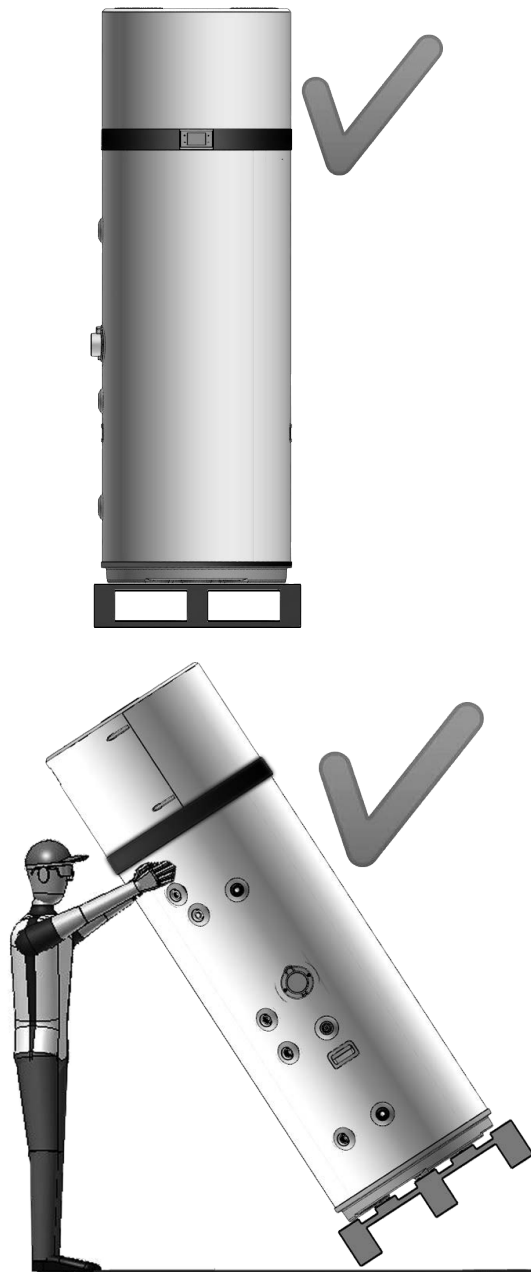
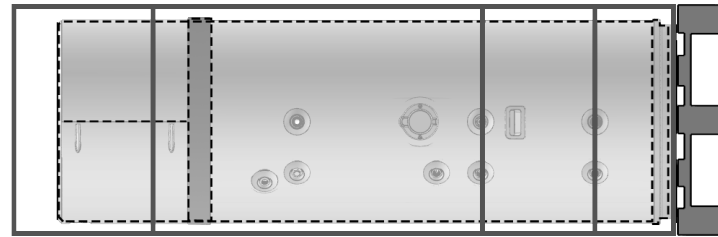


fig. 1

! ATTENTION! Pendant les phases de manipulation et d'installation du produit, vous ne pouvez soumettre à aucune tension la partie supérieure, étant donné qu'elle n'est pas structurale.

! ATTENTION! Le transport horizontal est autorisé uniquement pour le dernier km selon ce qui est précisé (consultez "Positions non autorisées pour le transport et la manipulation"), tout en vous assurant que les supports sont positionnés au bas de la chaudière de manière à ne pas soumettre à une tension la partie supérieure, étant donné que cette dernière n'est pas structurale. Pendant le transport horizontal, l'écran doit toujours être dirigé vers le haut.

Position autorisée uniquement pour le dernier km



Positions non autorisées pour le transport et la manipulation

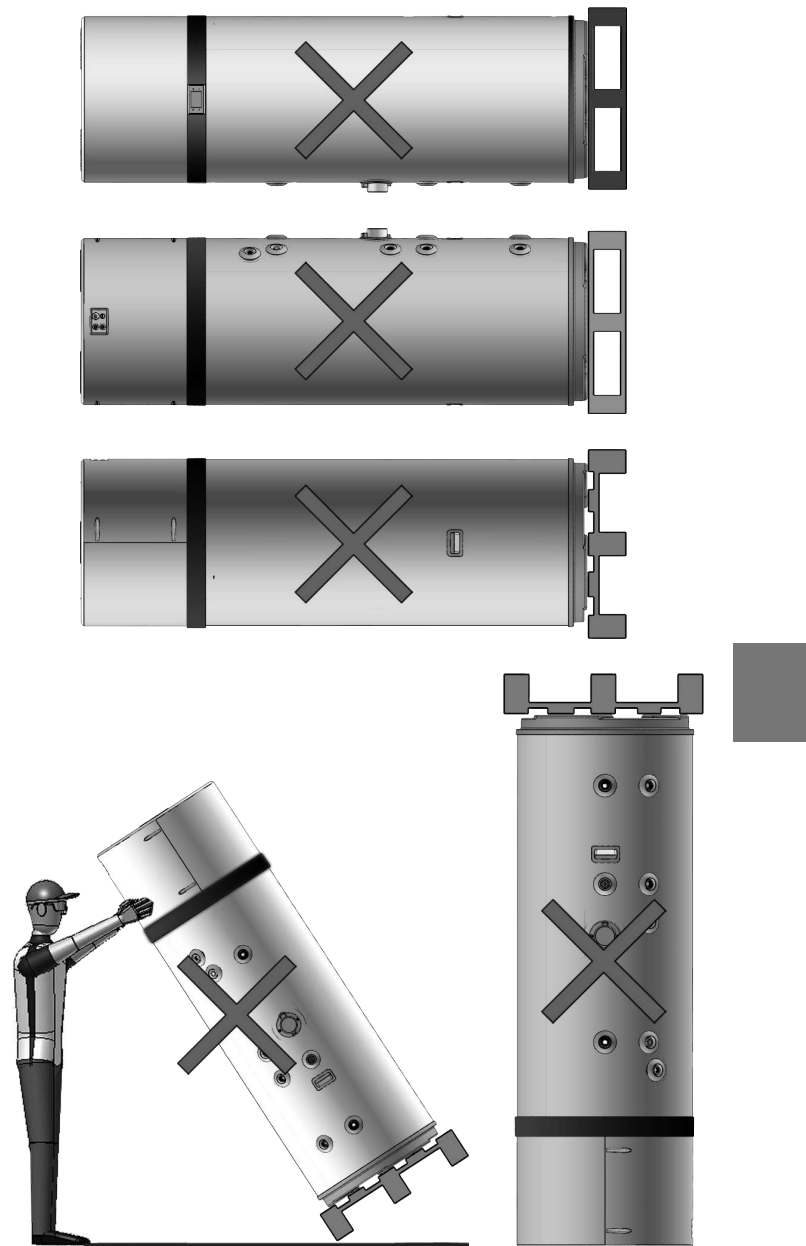


fig. 2

4. CARACTÉRISTIQUES DE CONSTRUCTION

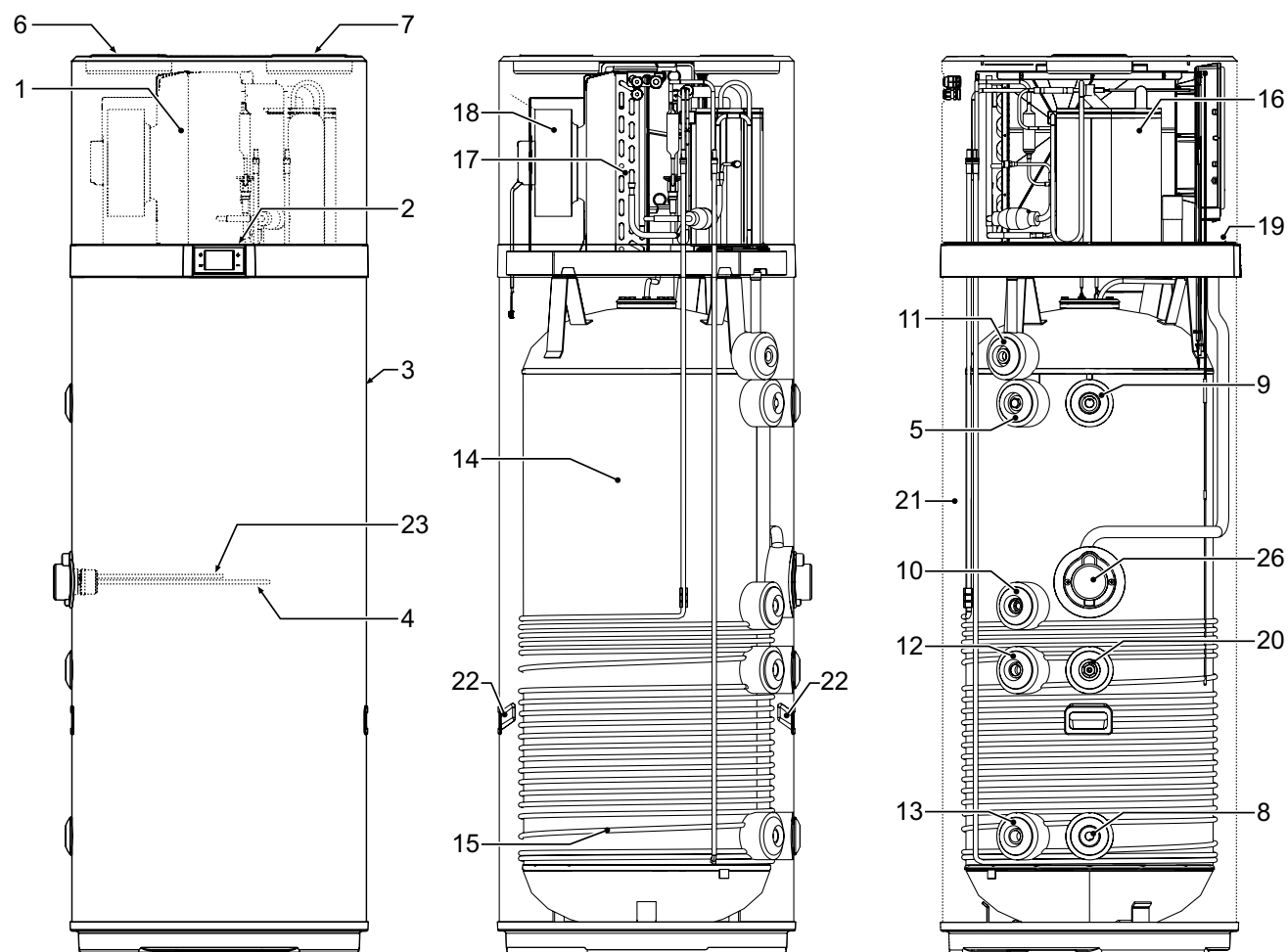
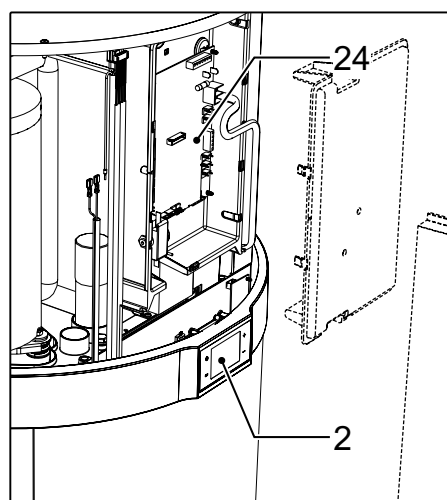


fig. 3



- 1 Pompe à chaleur
- 2 Interface utilisateur
- 3 Boîtier en acier
- 4 Élément chauffant
- 5 Anode de magnésium
- 6 Entrée d'air de ventilation (Ø160 mm)
- 7 Sortie d'air de ventilation (Ø160 mm)
- 8 Raccordement d'entrée d'eau froide
- 9 Raccordement de sortie d'eau chaude

- 10 Équipé au préalable pour la recirculation
- 11 Évacuation du condensat
- 12 Équipé au préalable pour l'entrée du serpentin solaire
*Uniquement pour les modèles EKHHE200PCV37
EKHHE260PCV37*
- 13 Équipé au préalable pour la sortie du serpentin solaire
*Uniquement pour les modèles EKHHE200PCV37
EKHHE260PCV37*
- 14 Ballon d'acier avec revêtement en émail vitreux conformément à la norme DIN 4753-3
- 15 Condensateur
- 16 Compresseur rotatif
- 17 Évaporateur à ailettes
- 18 Ventilateur électronique
- 19 Sondes de la chaudière
- 20 Poche portesonde pour solaire - *Uniquement pour les modèles EKHHE200PCV37
EKHHE260PCV37*
- 21 Isolation en polyuréthane
- 22 Poignées de transport
- 23 Tube pour bulbe du thermostat de sécurité
- 24 Carte d'alimentation
- 26 Compartiment pour accéder à l'élément chauffant et au bulbe du thermostat de sécurité

4.1 Données dimensionnelles

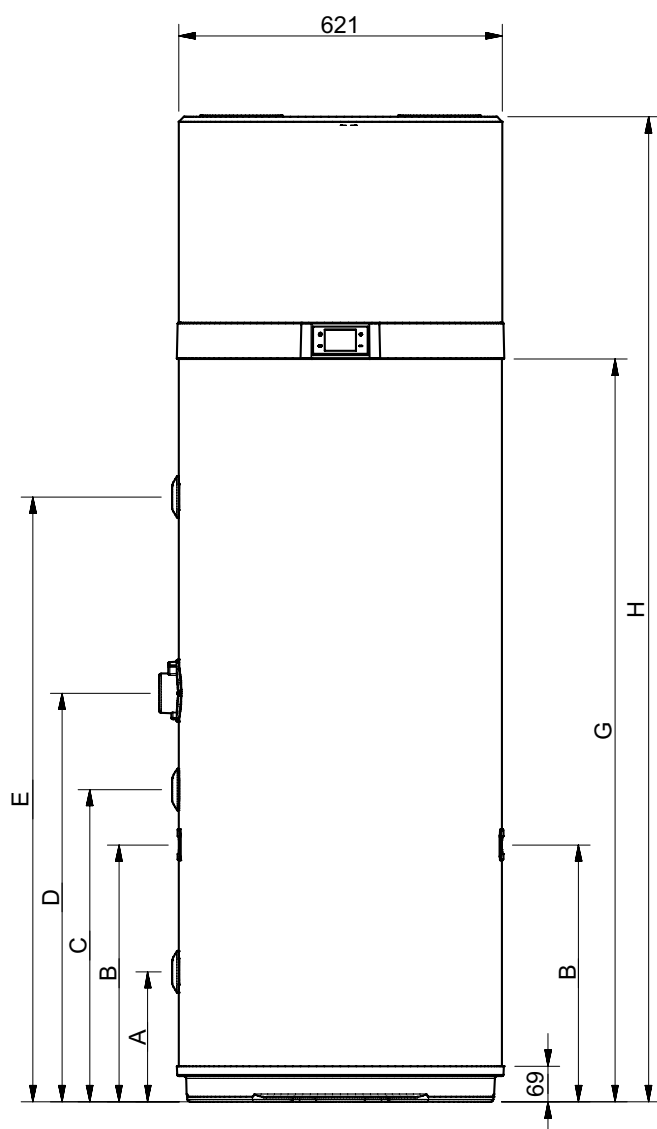


fig. 4

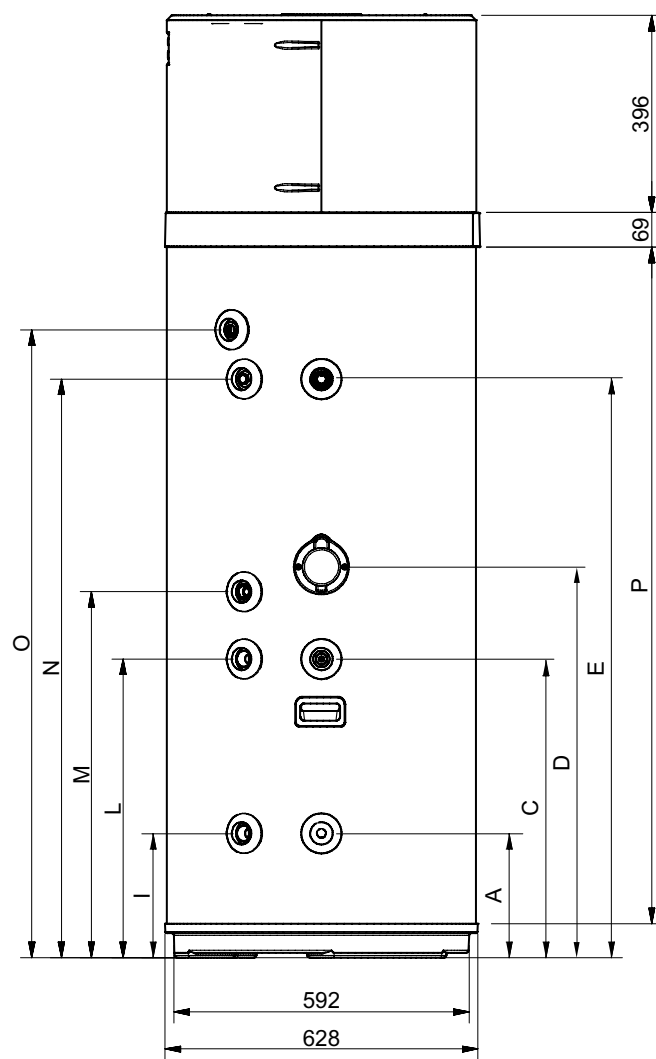


fig. 5

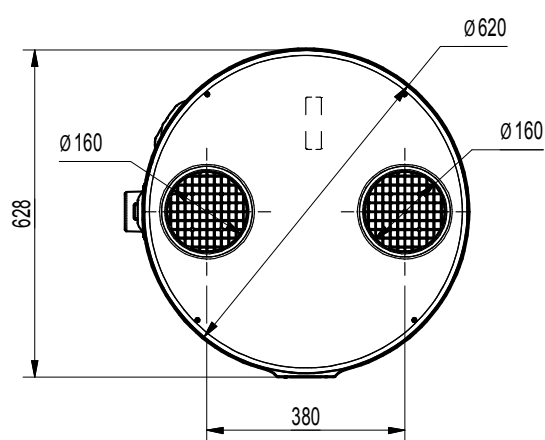


fig. 6

MODÈLE	Ø	EKHHE200PCV37	EKHHE260PCV37	EKHHE200CV37	EKHHE260CV37	UM
A	1"G	250	250	250	250	mm
B	-	490	493	/	/	mm
C	1/2"G	600	600	600	600	mm
D	-	705	785	705	785	mm
E	1"G	876,5	1162	876,5	1162	mm
G	-	1142	1427	1142	1427	mm
H	-	1607	1892	1607	1892	mm
I	3/4"G	250	250	/	/	mm
L	3/4"G	599	600	/	/	mm
M	3/4"G	705	735	705	735	mm
N	3/4"G	877	1162	877	1162	mm
O*	1/2"G	976	1261	976	1261	mm
P	-	1073	1358	1073	1358	mm

*O - Raccordement de sortie en matériau plastique

4.2 Caractéristiques techniques

Modello	EKHHE200CV37	EKHHE260CV37	EKHHE200PCV37	EKHHE260PCV37	U.m.							
Données générales	Tension d'alimentation				230 V CA - 50 Hz	-						
	Contenu en eau du ballon - V _{nom}				192	250	187	247	dm ³			
	Pression d'eau d'entrée maximale				0,7	0,7	0,7	0,7	MPa			
	Poids à vide				85	97	96	106	kg			
	Poids d'exploitation				277	347	283	353	kg			
	Dimensions (φxh)				621 x 1607	621 x 1892	621 x 1607	621 x 1892	mm			
	Température d'eau chaude maximale avec une pompe à chaleur				62	62	62	62	°C			
	Température d'eau chaude maximale avec un chauffage électrique supplémentaire				75	75	75	75	°C			
Ballon	Matériau				Acier émaillé		-					
	Protection cathodique				Tige d'anode de Mg		-					
	Type d'isolation				Polyuréthane		-					
	Épaisseur d'isolation				50	50	50	50	mm			
Données électriques de la pompe à chaleur	Entrée électrique moyenne pour le chauffage				430	430	430	430	W			
	Entrée électrique maximale				530	530	530	530	W			
	Entrée de courant maximale				2,43	2,43	2,43	2,43	A			
Données électriques du chauffage électrique	Tension d'alimentation				230 V CA - 50 Hz		-					
	Entrée électrique				1500	1500	1500	1500	W			
	Entrée de courant				6,5	6,5	6,5	6,5	A			
Données électriques pompe à chaleur + chauffage électrique	Entrée électrique maximale				1960	1960	1960	1960	W			
	Entrée de courant maximale				8,5	8,5	8,5	8,5	A			
Circuit d'air	Type de ventilateur				Centrifuge		-					
	Débit du volume d'air				450	450	450	450	m ³ /h			
	Pression statique extérieure disponible				117	117	117	117	Pa			
	Diamètre des conduits				160	160	160	160	mm			
Circuit du réfrigérant	Compresseur				Rotatif		-					
	Réfrigérant				R134a		-					
	Charge de réfrigérant				1	1	1	1	kg			
	Évaporateur				Serpentin à ailettes en cuivre-aluminium		-					
	Condensateur				Tube en aluminium enroulé à l'extérieur du ballon		-					
Serpentin solaire	Matériau				-	-	Acier émaillé	Acier émaillé	-			
	Surface				-	-	0,72	0,72	m ²			
	Pression maximale				-	-	1	1	MPa			
Données conformes à la norme EN 16147: 2017 pour conditions climatiques MOYENNES (unité en mode ÉCO. Point de consigne de l'eau chaude = 55°C; eau d'entrée = 10°C; Température de l'air d'entrée = 7°C DB / 6°C WB)	Profil de charge				L	XL	L	XL	-			
	Classe d'efficacité énergétique du chauffage d'eau *				A+	A+	A+	A+	-			
	Efficacité énergétique du chauffage d'eau - η _{wh}				135	138	135	138	%			
	COP _{DHW}				3,23	3,37	3,23	3,37	-			
	Volume maximal de l'eau mélangée à 40°C - V ₄₀				247	340	241	335	dm ³			
	Température d'eau chaude de référence - θ _{wh}				52,5	53,2	52,5	53,2	°C			
	Charge thermique nominale - Prated				1,339	1,249	1,339	1,249	kW			
	Durée de chauffage - t _h				06:27	09:29	06:27	09:29	hh:mm			
	Consommation électrique annuelle - AEC				761	1210	761	1210	kWh			
	* conforme à la réglementation européenne 812/2013				Entrée électrique en veille (P _{es})				26	28	26	28
Données conformes à EN 12102-2: 2019 mode ÉCO avec température de l'air d'entrée = 7°C DB / 6°C WB	Niveau de puissance acoustique à l'intérieur				53	51	53	51	dB(A)			
	Niveau de puissance acoustique à l'extérieur				45	44	45	44	dB(A)			

5. INFORMATIONS IMPORTANTES

5.1 Conformité aux réglementations européennes

Cette pompe à chaleur est un produit prévu pour un usage domestique conforme aux directives européennes suivantes:

- Directive 2012/19/UE (DEEE)
- Directive 2011/65/UE sur la limitation de l'utilisation de certaines substances dangereuses dans l'équipement électrique et électronique (RoHS)
- Directive 2014/30/UE sur la compatibilité électromagnétique (EMC)
- Directive 2014/35/UE sur la faible tension (LVD)
- Directive 2009/125/CE sur l'écoconception
- Règlement 2017/1369/UE sur l'étiquetage énergétique

5.2 Indice de protection du boîtier

L'indice de protection de l'équipement est: **IP24**.

5.3 Limites de fonctionnement



INTERDICTION! Ce produit n'est pas conçu ou prévu pour un usage dans des environnements dangereux (en raison de la présence d'atmosphères potentiellement explosives - ATEX ou avec un niveau IP supérieur à celui de l'appareil) ou dans des applications qui exigent des éléments de sécurité (tolérance de pannes, sûreté intégrée) qui peuvent être des systèmes et/ou des technologies qui favorisent la vie ou tout autre contexte dans lequel le dysfonctionnement d'une application peut entraîner la mort ou donner lieu à des blessures de personnes ou d'animaux, ou à des dommages graves de biens ou de l'environnement.



N.B.! si la possibilité d'une panne ou de défaillance du produit peut donner lieu à des dommages (de personnes, d'animaux et de biens), il est nécessaire de fournir un système de surveillance fonctionnel séparé équipé de fonctions d'alarme afin d'exclure de tels dommages. Il est également nécessaire de prévoir une opération de remplacement!



L'appareil n'est pas conçu pour une installation à l'extérieur, mais dans un endroit "fermé" qui ne soit pas à la merci des intempéries.

5.4 Limites de fonctionnement

Le produit en question est conçu exclusivement pour chauffer de l'eau pour usage sanitaire dans les limites décrites ci-dessous. À cette fin, il doit être raccordé à l'alimentation en eau sanitaire et à l'alimentation électrique (consultez le chapitre «6. INSTALLATION ET RACCORDEMENTS»).

5.4.1 Plage de température

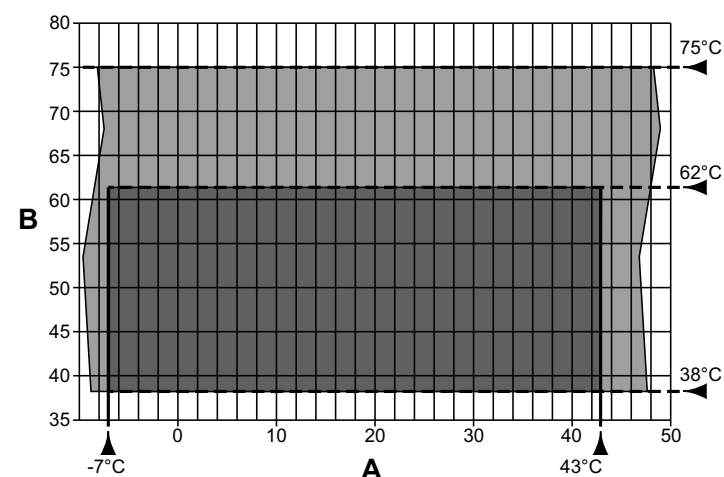


fig. 7- Tableau

A = température de l'entrée d'air (°C)

B = température de l'eau chaude (°C)

■ = gamme de fonctionnement pour la pompe à chaleur (HP)

■ = intégration uniquement avec l'élément chauffant

5.4.2 Dureté de l'eau

L'appareil ne doit pas fonctionner avec de l'eau dont la dureté est inférieure à 12°F; cependant, avec de l'eau particulièrement dure (supérieure à 25°F), il est recommandé d'utiliser un adoucisseur d'eau correctement étalonné et surveillé, et dans ce cas, la dureté résiduelle ne peut pas chuter en dessous de 15°F.



N.B.! dans la phase de conception et de construction des équipements, les réglementations et dispositions locales en vigueur doivent être respectées.

5.5 Règles de sécurité de base

- Le produit doit être utilisé par des adultes;
- N'ouvrez pas ou ne démontez pas le produit lorsqu'il est alimenté électriquement;
- Ne touchez pas le produit si vous êtes pieds nus ou si des parties de votre corps sont mouillées ou moites;
- Ne versez pas ou ne vaporisez pas de l'eau sur le produit;
- Ne montez pas sur le produit, ne vous asseyez pas dessus et/ou ne placez aucune sorte d'objet sur le produit.

5.6 Informations concernant le réfrigérant utilisé

Ce produit contient des gaz à effet de serre fluorés inclus dans le protocole de Kyoto. Ne libérez pas ces gaz dans l'atmosphère.
Type de réfrigérant: HFC-R134a.



N.B.! les opérations de dépannage et de mise au rebut de ce produit doivent être effectués par du personnel qualifié uniquement.

6. INSTALLATION ET RACCORDEMENTS

6.1 Préparation de l'emplacement d'installation

Le produit doit être installé dans un endroit approprié, autrement dit, qui permet un usage normal et les opérations de réglage, ainsi que l'entretien ordinaire et extraordinaire.
L'espace de fonctionnement nécessaire doit donc être préparé en se référant aux dimensions données dans fig. 8 et fig. 9.

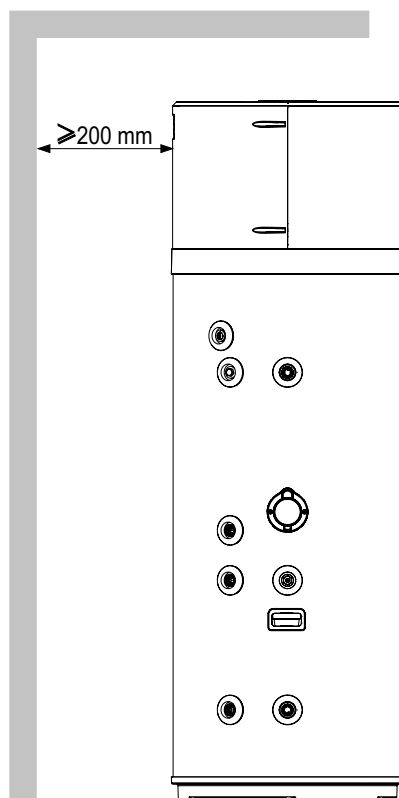


fig. 8- Espaces minimaux

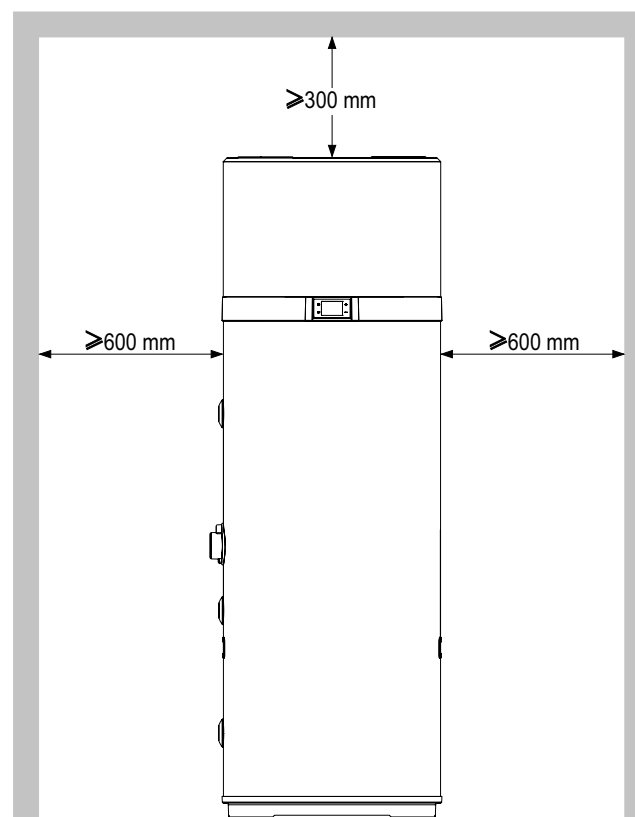


fig. 9- Espaces minimaux

La pièce doit également être:

- Équipée des conduits d'alimentation en eau et en électricité adéquats;
- Équipée au préalable pour le raccordement d'évacuation d'eau de condensat;
- Équipée au préalable d'une sortie d'évacuation d'eau adéquate en cas de dommage à la chaudière ou d'intervention de la vanne de sécurité ou de rupture des tuyaux/raccordements;
- Équipée de systèmes de confinement éventuel en cas de fuite d'eau grave;
- Suffisamment éclairée (là où c'est nécessaire);
- D'un volume d'au moins 20 m³;
- Protégée contre le gel et être sèche.



ATTENTION! Afin d'éviter la propagation de vibrations mécaniques, n'installez pas l'équipement sur des sols avec des poutres en bois (p. ex. dans le grenier).

6.2 Fixation au sol

Afin de fixer le produit au sol, fixez les supports fournis comme indiqué sur la fig. 10.

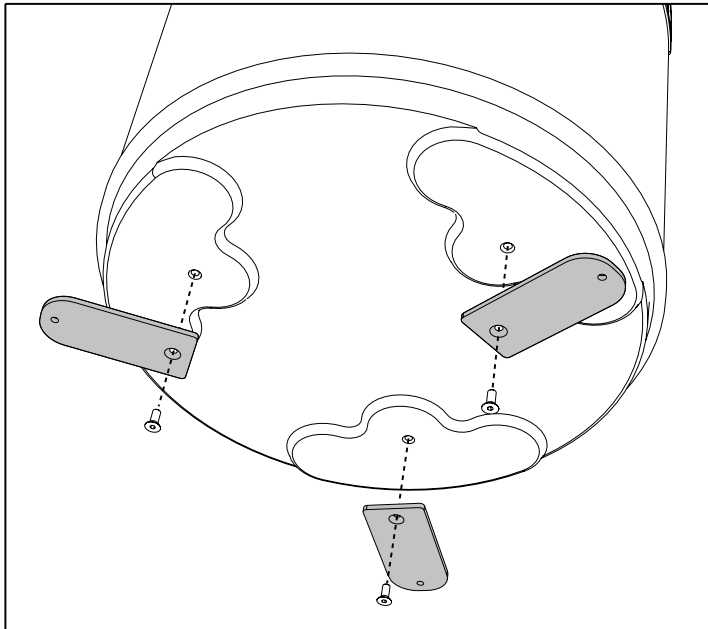


fig. 10- Fixation des supports

Fixez ensuite l'unité au sol à l'aide des chevilles appropriées, non fournies, comme indiqué sur la fig. 11.

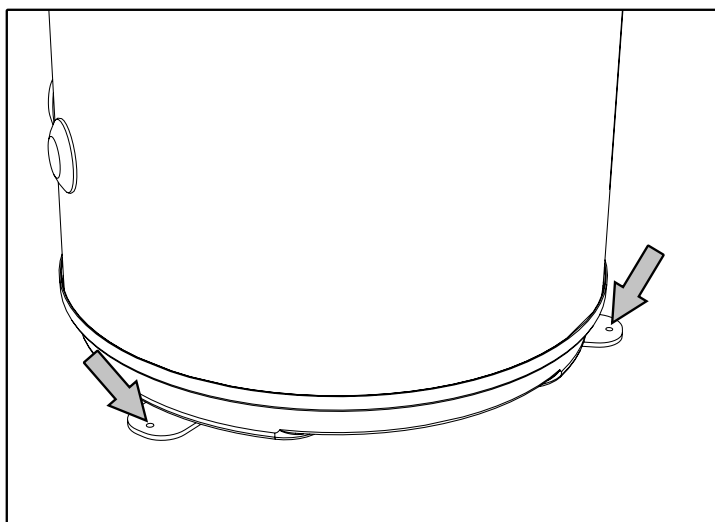


fig. 11- Fixation au sol

6.3 Raccordements aérauliques

En plus des espaces indiqués dans 6.1, la pompe à chaleur exige une ventilation de l'air adéquate.

Créez un conduit d'air dédié comme indiqué dans fig. 12.

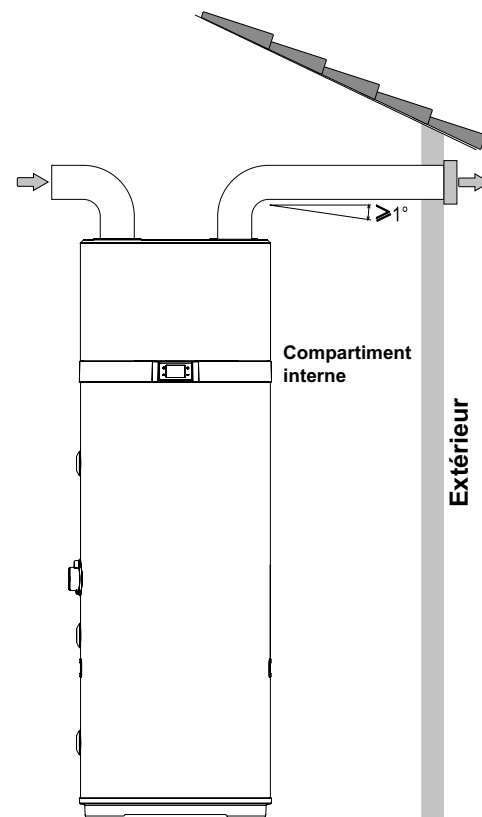


fig. 12- Exemple de raccordement de sortie d'air

Il est également important d'assurer une ventilation adéquate de la pièce qui contient l'appareil. Une solution alternative est présentée dans l'illustration ci-dessous (fig. 13): elle fournit un deuxième conduit qui aspire l'air de l'extérieur au lieu de l'aspirer directement de la pièce intérieure.

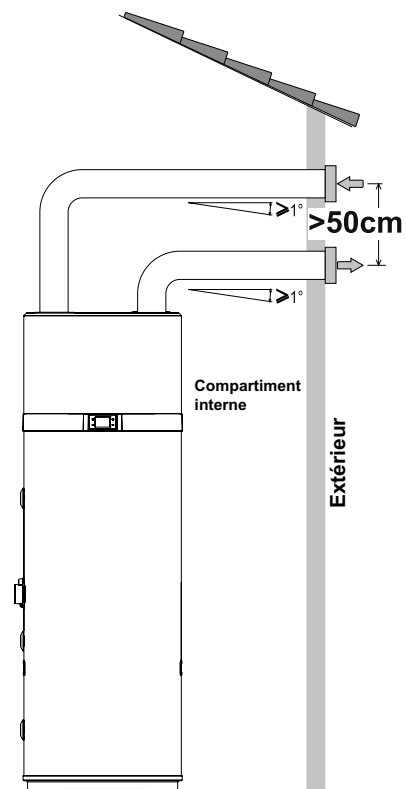


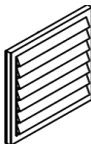


fig. 13- Exemple de raccordement de sortie d'air

Installez chaque conduit d'air et veillez à ce:

- Qu'il ne pèse pas sur l'équipement.
- Qu'il permette d'effectuer les opérations de maintenance.
- Qu'il soit protégé adéquatement afin d'empêcher l'intrusion accidentelle de matériaux à l'intérieur de l'équipement.
- Que le raccordement vers l'extérieur se fasse au moyen d'une tuyauterie adaptée et ininflammable.
- Que la longueur équivalente totale des conduits d'extraction plus livraison, y compris les grilles, ne puisse pas dépasser les 12 m.

Le tableau indique les données caractéristiques des composants de conduits commerciaux en référence aux débits d'air nominaux et aux diamètres de 160 mm.

Données	Tuyau droit lisse	Tuyau coude 90 °	Grille	UM
Type				
Longueur effective	1	1	1	m
Longueur équivalente	1	2	2	m

i Pendant le fonctionnement, la pompe à chaleur a tendance à diminuer la température intérieure si la conduite d'air n'est pas dirigée vers l'extérieur.

i Une grille de protection convenable doit être installée sur le conduit d'extraction d'air à l'extérieur pour éviter toute entrée de corps étrangers dans l'équipement. Afin d'assurer une performance maximale du produit, la grille doit être sélectionnée parmi celles dont la perte de pression est faible.

i Pour éviter la formation d'eau de condensat: isolez les conduits d'extraction d'air et les raccordements de recouvrement des conduits d'air au moyen d'une bâche thermique parfaitement étanche d'épaisseur adéquate.

i Installez des silencieux si vous estimez que cela est nécessaire pour empêcher le bruit causé par le débit. Équipez les tuyaux, les évacuations dans les murs et les raccordements vers la pompe à chaleur de systèmes d'amortissement des vibrations.

6.3.1 Installation spéciale

Une des particularités des systèmes de chauffage à pompe à chaleur est que ces appareils diminuent considérablement la température de l'air qui est généralement expulsé vers l'extérieur de la maison. L'air expulsé est non seulement plus froid que l'air ambiant, mais également complètement déshumidifié, et par conséquent le flux d'air peut être retourné à l'intérieur pour le rafraîchissement de pièces ou d'espaces spécifiques pendant l'été.

L'installation permet de répartir le conduit d'extraction, qui est doté de deux registres ("A" et "B") pour diriger le flux d'air vers l'extérieur (fig. 15) ou vers l'intérieur de la maison (fig. 14).

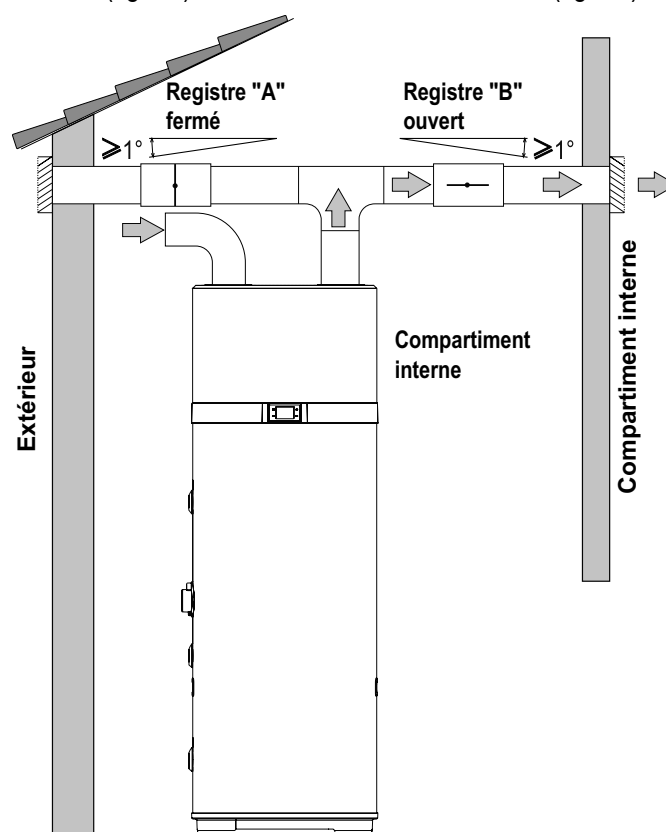


fig. 14- Exemple d'installation en période estivale

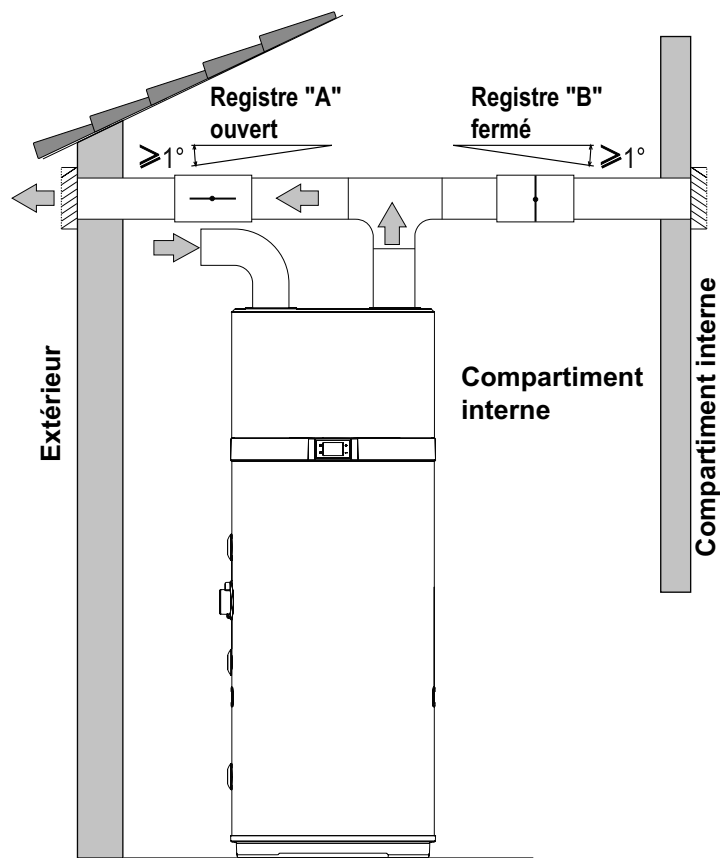


fig. 15- Exemple d'installation en période hivernale

6.4 Fixation et raccordements de cet appareil

Ce produit doit être installé sur un sol stable et plat qui n'est pas exposé à des vibrations.

6.5 Branchements hydrauliques

Raccordez le conduit d'alimentation en eau froide et le conduit de sortie aux points de raccordement appropriés (fig. 16).

Le tableau ci-dessous indique les caractéristiques des points de raccordement.

Ref.	Fonction	Modèle 200 I / 260 I
1	Entrée de l'eau froide	1"G
2*	Sortie du serpentin solaire	3/4"G
3*	Entrée du serpentin solaire	3/4"G
4	Recirculation	3/4"G
5	Sortie de l'eau chaude	1"G
6	Évacuation du condensat	1/2"G
A*	Doigt de gant pour sonde solaire et pour bulbe de coupure thermique	1/2"G

*: uniquement pour les modèles EKHHE200PCV37 et EKHHE260PCV37.

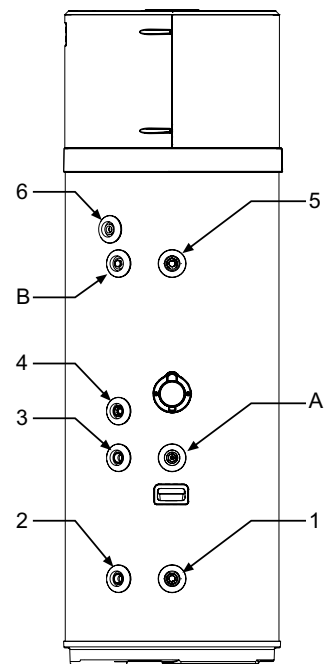


fig. 16

L'illustration suivante (fig. 17) montre un exemple de raccordement de plomberie.

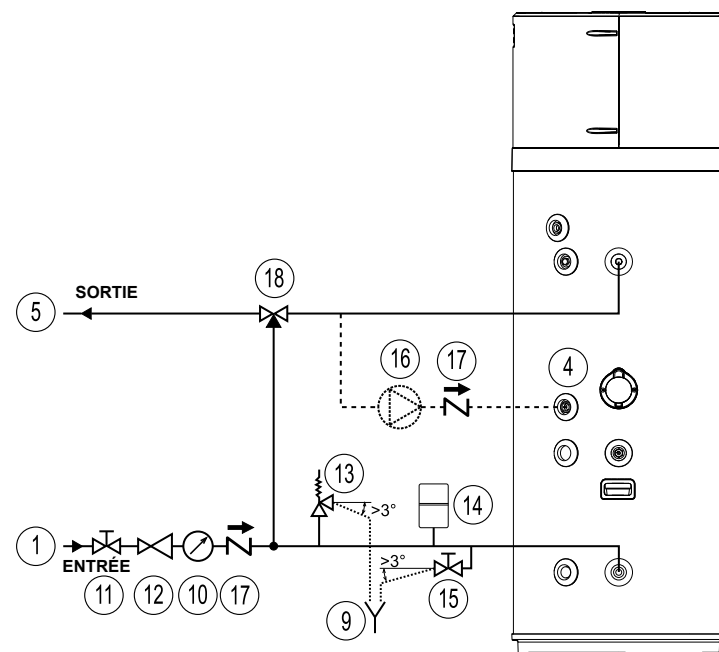


fig. 17- Exemple de système d'eau

Légende (fig. 17)

- | | | | |
|----|---|----|---|
| 1 | Tuyau d'entrée d'eau | 11 | Vanne d'arrêt |
| 4 | Entrée d'eau de recirculation | 12 | Régulateur de pression |
| 5 | Tuyau de sortie d'eau chaude | 13 | Vanne de sécurité |
| 9 | Extrémité du tube de refoulement pouvant être inspectée | 14 | Vase d'expansion |
| 10 | Manomètre | 15 | Orifice de drainage |
| | | 16 | Pompe de recirculation |
| | | 17 | Clapet anti-retour à ressort |
| | | 18 | Équipement de mélange automatique du thermostat |

6.5.1 Raccordement de purge de condensat

La formation de condensat pendant le fonctionnement de la pompe à chaleur coule à travers un tuyau d'évacuation spécial (1/2"G) qui passe à l'intérieur du boîtier d'isolation et sort du côté de l'équipement.

Il doit être raccordé, par le biais d'un siphon, à un conduit afin que le condensat puisse couler régulièrement (fig. 18).

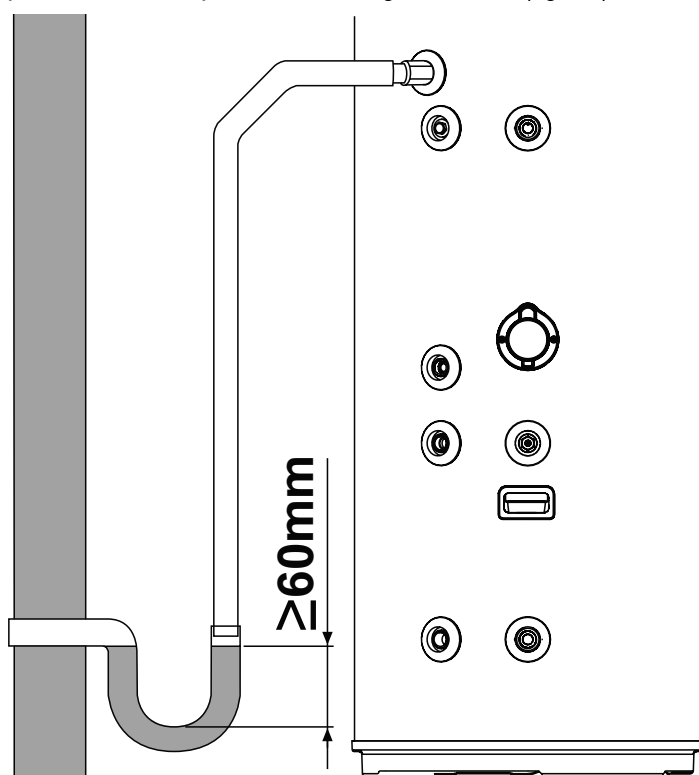


fig. 18- Exemples de raccordement de purge de condensat par le biais d'un siphon

6.6 Intégration au système thermique solaire (uniquement pour les modèles EKHHE200PCV37 et EKHHE260PCV37)

L'illustration suivante (fig. 19) montre comment raccorder l'équipement au système thermique solaire contrôlé par un dispositif de régulation électronique dédié (non fourni) qui dispose d'une sortie du type "contact sans tension" à raccorder à l'entrée DIG.1 de l'équipement (consultez «6.7.1 Raccordements à distance»).

Pour utiliser cet équipement dans cette configuration, vous devez définir le paramètre **P16 = 1** (consultez le paragraphe 8.1).

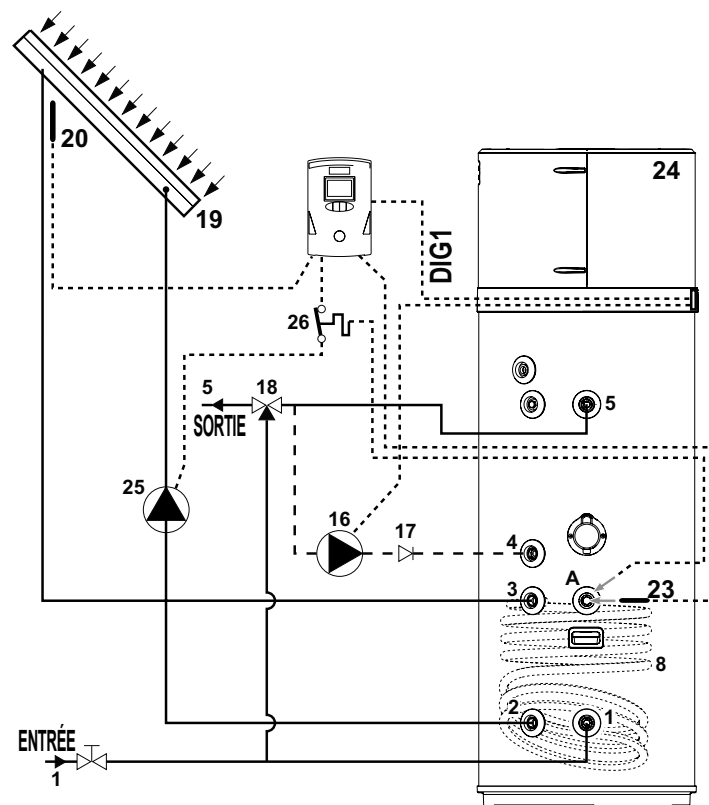


fig. 19

Les illustrations suivantes (fig. 20 et fig. 21) montrent comment raccorder l'équipement au système thermique solaire contrôlé directement par ce dernier sans l'assistance d'un dispositif de régulation électronique dédié.

Dans la configuration de fig. 20, en cas de température excessive du collecteur solaire, une vanne de purge (non fournie) s'active pour décharger dans un réservoir de stockage d'ECS (ballon d'accumulation) l'eau chaude contenue dans l'équipement.

Cependant, dans la configuration de fig. 21, dans cette condition, le volet du collecteur solaire est fermé.

Dans les deux cas, cela se passe afin de permettre au collecteur de refroidir.

Pour utiliser l'équipement dans ces deux configurations, il est nécessaire de définir le paramètre **P12 = 2** et **P16 = 2** (consultez le paragraphe 8.1).

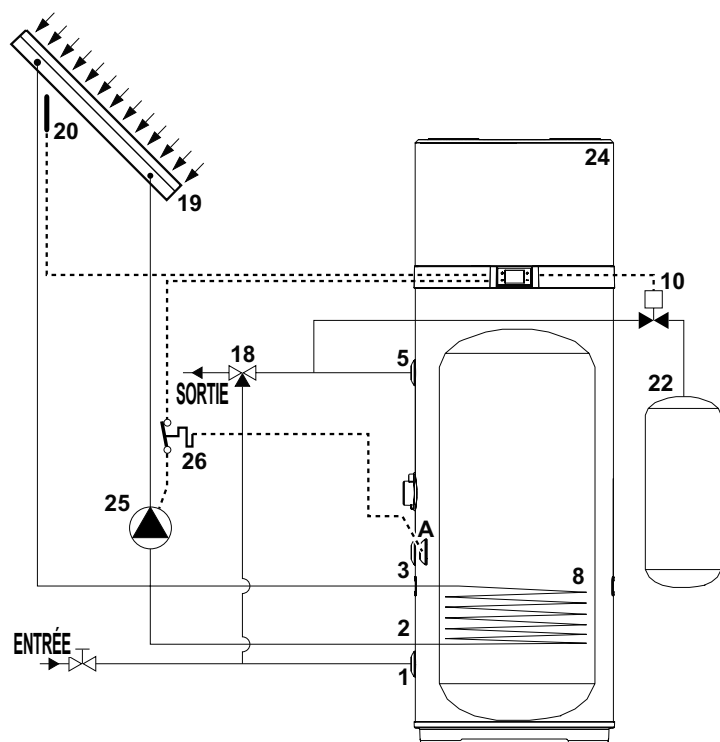


fig. 20

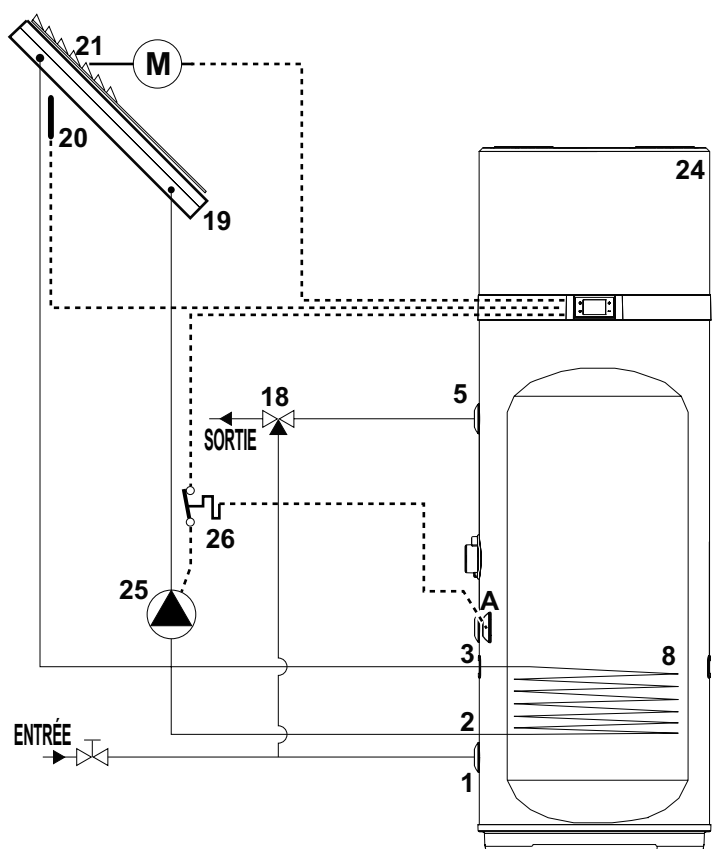


fig. 21

Légende (fig. 19, fig. 20 et fig. 21)

- | | | | |
|----|--|----|---|
| 1 | Entrée de l'eau froide | 20 | Sonde du collecteur solaire (PT1000 non fourni*) |
| 2 | Sortie du serpentin solaire | 21 | Volet du collecteur solaire |
| 3 | Entrée du serpentin solaire | 22 | Ballon d'accumulation ECS |
| 4 | Recirculation | 23 | Sonde du serpentin solaire (non fourni) |
| 5 | Sortie de l'eau chaude | 24 | Pompe à chaleur |
| 8 | Serpentin thermique solaire | 25 | Pompe solaire (type MARCHE/ARRÊT) |
| 10 | Vanne de purge | 26 | Coupure thermique (fournie) pour pompe solaire |
| 16 | Pompe de recirculation (type MARCHE/ARRÊT) | A | Doigt de gant pour sonde solaire et coupure thermique |
| 17 | Clapet anti-retour | | |
| 18 | Dispositif de mélange automatique thermostatique | | |
| 19 | Collecteur solaire | | |

* Nous vous conseillons d'utiliser la sonde du collecteur solaire PT1000 (disponible dans la liste d'accessoires du fabricant)

6.7 Branchements électriques

Avant de raccorder l'appareil au secteur CA, le système électrique doit être contrôlé afin de vérifier la conformité aux réglementations en vigueur et que le système électrique est adapté pour les valeurs maximales de consommation électrique du chauffe-eau (reportez-vous au paragraphe 4.2 pour les caractéristiques techniques), en termes de taille des câbles et leur conformité aux réglementations en vigueur.

L'appareil est fourni avec un cordon d'alimentation avec une fiche Schuko (fig. 23) et pour le raccordement au secteur CA vous avez besoin de:

- une prise murale Schuko avec mise à la terre et une protection séparée (fig. 22);
- un disjoncteur omnipolaire de 16 A avec ouverture des contacts d'au moins 3 mm;
- un disjoncteur différentiel de 30 mA.

Il est interdit d'utiliser plusieurs prises de courant, des câbles de rallonge ou des adaptateurs.

Il est interdit d'utiliser la tuyauterie des systèmes d'eau, de chauffage et de gaz pour la mise à la terre de l'appareil.

Avant d'utiliser la machine, veuillez vous en assurer que la tension du réseau électrique est conforme à la valeur indiquée sur la plaque signalétique de l'appareil.

Le fabricant de l'appareil ne peut pas être tenu responsable des dommages causés par un défaut de mise à la terre du système ou par une anomalie de l'alimentation électrique.

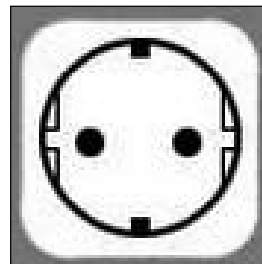


fig. 22 - prise Schuko

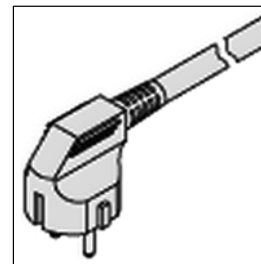


fig. 23 - prise de l'appareil

6.7.1 Raccordements à distance

L'équipement est conçu pour être raccordé à d'autres systèmes d'énergie à distance ou à des compteurs d'énergie (thermique solaire, photovoltaïque, heures creuses)

ENTRÉES

- Numérique 1 (**DIG1**). Entrée numérique pour thermique solaire (*uniquement pour les modèles PCV3*). En cas de système thermique solaire avec une unité de contrôle dédiée, cette dernière peut être raccordée à l'équipement pour désactiver la pompe à chaleur lorsque la source solaire produit de l'énergie. En disposant d'un contact sans tension qui se ferme lorsque le système solaire est actif, il est possible de le raccorder aux deux fils **blanc** et **marron** du câble hexapolaire fourni avec l'équipement.

Définissez le paramètre **P16 = 1** pour activer le supplément avec le thermique solaire.

- Numérique 2 (**DIG2**). Entrée numérique pour le photovoltaïque. En cas de système photovoltaïque raccordé à l'équipement, il peut être utilisé pour soustraire de l'énergie sous forme d'eau chaude en période de surproduction. Si vous disposez d'un contact sans tension, p. ex. de l'inverter, qui se ferme en cas de surproduction d'énergie, il peut être raccordé aux deux fils **vert** et **jaune** du câble hexapolaire fourni avec l'équipement.

Définissez le paramètre **P23 = 1** pour activer le supplément avec le photovoltaïque.

- Numérique 3 (**DIG3**). Entrée pour les heures creuses. Cette fonction, disponible uniquement dans certains pays, permet d'activer l'équipement uniquement en présence d'un signal extérieur à tarif préférentiel. Si le contacteur électrique dispose d'un contact sans tension qui se ferme lorsque le tarif préférentiel est disponible, il est possible de le raccorder aux deux fils **gris** et **rose** du câble hexapolaire fourni avec l'équipement.

Définissez le paramètre **P24 = 1** pour activer les heures creuses en mode ÉCO ou **P24 = 2** pour les heures creuses en mode AUTO.

- Entrée numérique (**LPSW**) pour le contacteur de débit du circulateur du thermique solaire/ECS (non fourni)
- Entrée analogique (**PT1000**) pour sonde de collecteur solaire.

SORTIES

Relais de sortie 230 Vac - 16 A avec contact N.O. pour pompe de recirculation thermique solaire/ECS (type MARCHE/ARRÊT).

Relais de sortie 230 Vac - 5 A avec contact N.O. pour volet/ vanne de purge du collecteur solaire.

Uniquement pour les modèles PCV3



Remarque: pour plus d'informations sur les raccordements à distance et la configuration de l'équipement avec ces systèmes, consultez les paragraphes «7.5 Mode de fonctionnement» et «8.1.1 Liste des paramètres de l'équipement».

6.7.1.1 Raccordement à distance

Pour le branchement aux entrées numériques, l'équipement est fourni avec un câble hexapolaire supplémentaire déjà raccordé à la CCI de l'interface utilisateur (située à l'intérieur de l'appareil). Les raccordements à distance aux systèmes d'énergie potentiels sont sous la responsabilité de l'installateur qualifié (boîtiers de raccordement, bornes et câbles de raccordement).

Les illustrations suivantes donnent un exemple de raccordement à distance (fig. 24 et fig. 25) qui ne peut pas dépasser les **3 m**.

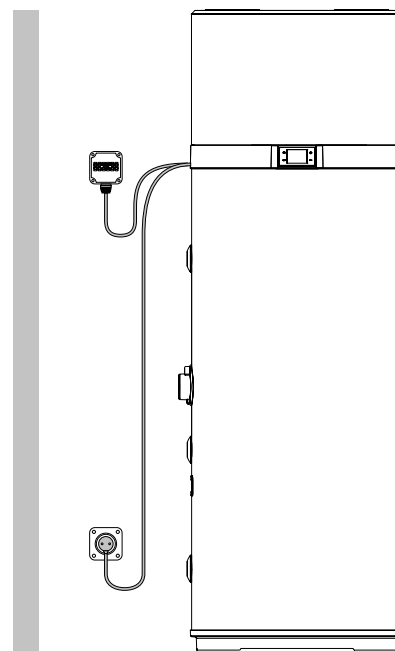


fig. 24- Exemple de raccordement à distance

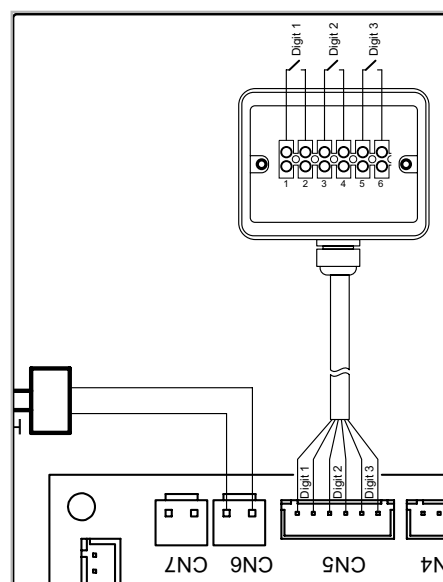


fig. 25

Pour accéder au câble hexapolaire pour un raccordement à distance, retirez le couvercle supérieur de la chaudière et acheminez vers

l'extérieur le câble déjà présent à l'intérieur de l'appareil, à travers le serre-câble spécial installé dans le couvercle arrière.

6.8 Schéma de câblage

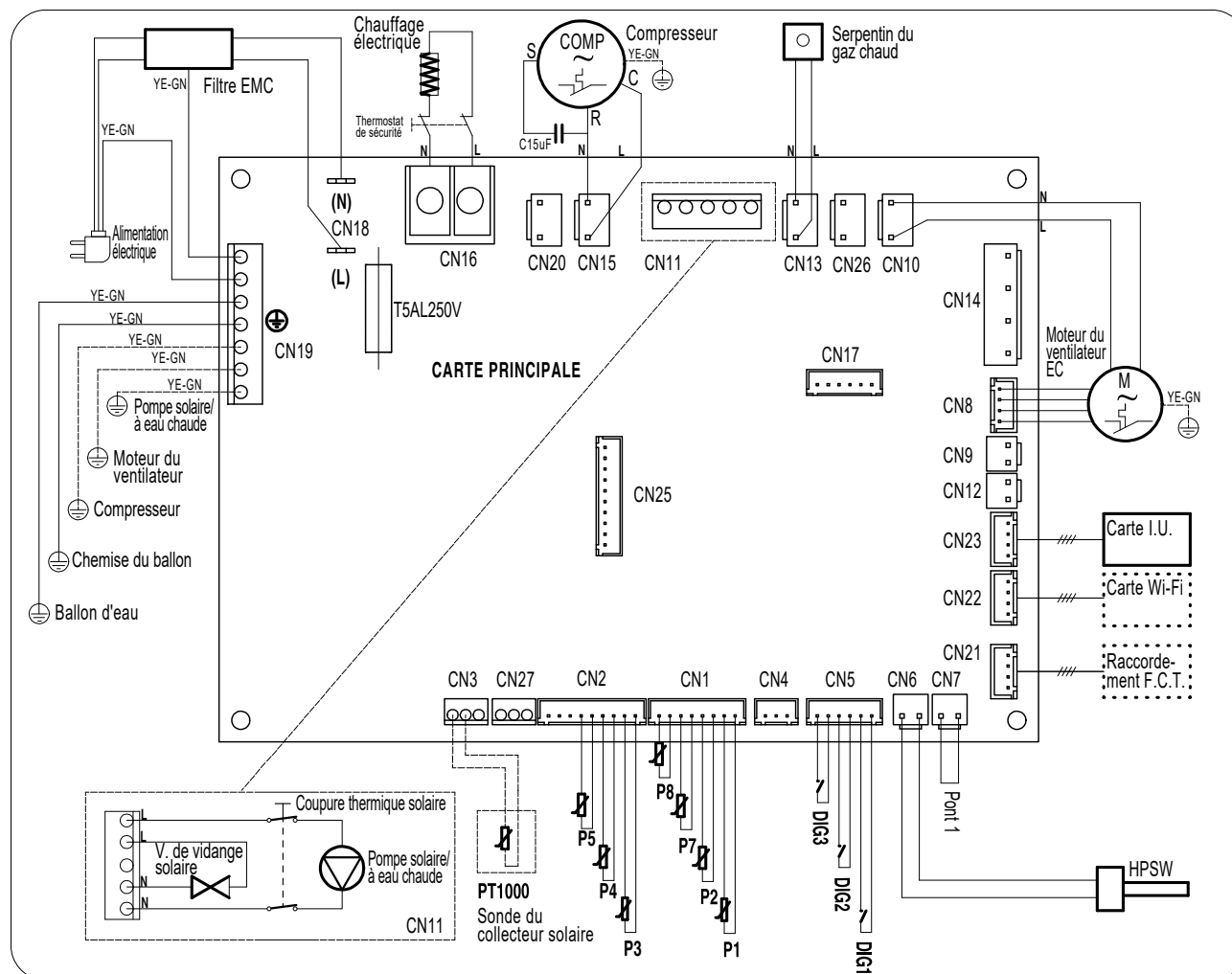


fig. 26- Schéma de câblage de l'équipement

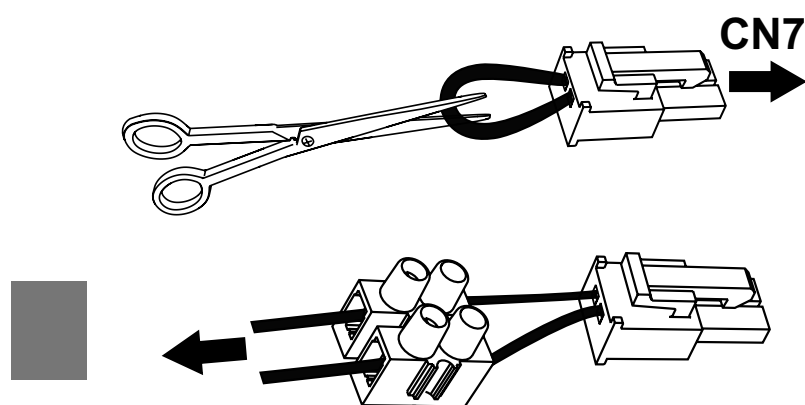
Description des raccordements disponibles sur la carte d'alimentation

CN1	Sondes NTC pour l'aire, le dégivrage et l'eau	CN13	Alimentation électrique de la soupape de dégivrage à gaz chaud
CN2	Non utilisable	CN14	Non utilisable
CN3	Sonde de gestion thermique solaire - <i>Uniquement pour les modèles PCV3</i>	CN15	Alimentation électrique du compresseur
CN4	Non utilisable	CN16	Alimentation électrique de l'élément chauffant
CN5	Entrées numériques solaires, PV, heures creuses	CN17	Non utilisable
CN6	Commutateur haute pression	CN18	Alimentation électrique principale 230 V - 1 PH - 50 Hz
CN7	Contacteur de débit pour circulateur du thermique solaire/ECS (non fourni)	CN19	Raccords de mise à la terre
CN8	Contrôle PWM ventilateur électronique (EC)	CN20	Alimentation électrique à 230 Vac pour convertisseur anode à courant imposé
CN9+CN12	Non utilisable	CN21	Raccordement à inspection de fin de ligne/essai
CN10	Alimentation électrique du ventilateur EC, CA	CN22	Raccordement carte Wi-Fi (non fournie)
CN11	Circulateur thermique solaire/ECS (type MARCHE/ARRÊT), vanne de purge ou volet du collecteur solaire - <i>Uniquement pour les modèles PCV3</i>	CN23	Raccordement de l'interface utilisateur
		CN25	Non utilisable

Pour raccorder un contacteur de débit de sécurité à l'équipement pour le circuit de recirculation thermique solaire/d'eau chaude, procédez comme suit (réservé au personnel technique qualifié uniquement):

- Débranchez l'alimentation de l'équipement.
- Retirez le couvercle supérieur de l'équipement et le couvercle de la carte d'alimentation.
- Débranchez le "cavalier" (pont 1) du connecteur CN7 de la carte d'alimentation, puis coupez au milieu le conducteur qui fait office de pont et raccordez une borne appropriée.
- Raccordez ensuite un contacteur de débit normalement fermé (N.C.) et raccordez le tout au CN7.
- Remontez tous les plastiques et, avant d'alimenter l'appareil, assurez-vous qu'il est correctement installé.

Si au lieu de cela un contacteur de débit normalement ouvert (N.O.) est utilisé, vous devez définir le paramètre **P15 = 1** (consultez le paragraphe 8.1).



Pour raccorder la coupure thermique (fournie) pour le circulateur solaire, procédez comme suit (réservé au personnel technique qualifié uniquement):

- Débranchez l'alimentation de l'appareil;
- Insérez le bulbe complètement dans le doigt de gant du ballon dédié ("A") et fermez le passe-câble;
- Vous devez dérouler le capillaire suffisamment afin de placer la coupure thermique à l'intérieur d'un boîtier adéquat fixé au mur;
- Pour une déconnexion multipolaire, raccordez la coupure thermique en série aux raccordements phase ("L") et neutre ("N") de l'alimentation électrique du circulateur solaire.
- Vérifiez tous les raccordements avant d'alimenter l'appareil.

7. DESCRIPTION DE L'INTERFACE UTILISATEUR ET DU FONCTIONNEMENT DE L'ÉQUIPEMENT

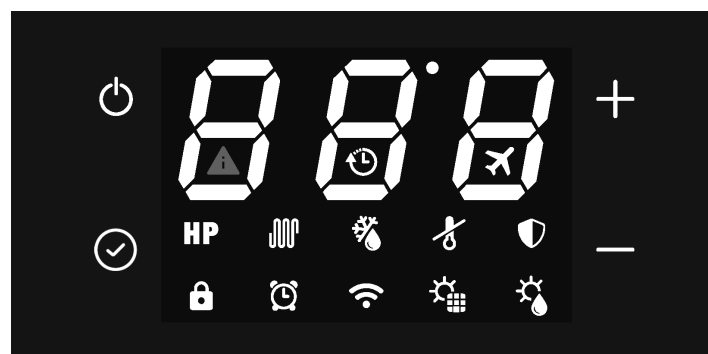


fig. 27

Description	Symbole
Bouton "Marche/arrêt" pour allumer, mettre le produit en mode veille, déverrouiller les boutons, sauvegarder les modifications	
Bouton "Définir" pour modifier la valeur du paramètre, confirmer;	
Bouton "Augmenter" pour augmenter la valeur du point de consigne, le paramètre ou le mot de passe	
Bouton "Diminuer" pour diminuer la valeur du point de consigne, le paramètre ou le mot de passe	
Fonctionnement de la pompe à chaleur (mode ÉCO)	HP
Fonctionnement de l'élément chauffant (mode ÉLECTRIQUE)	
Mode AUTOMATIQUE	HP +
Mode BOOST (les symboles clignotent)	HP +
Verrouillage des boutons actif	
Dégivrage	
Protection antigel	
Cycle anti-légionellose	
Mode vacances;	
Fonctionnement par plages horaires	
Réglage de l'horloge (le symbole clignote)	
Connecté au Wi-Fi (non disponible pour ces modèles)	
Mode photovoltaïque (si le symbole clignote, le supplément n'est pas actif)	
Mode thermique solaire (si le symbole clignote, le supplément n'est pas actif)	
Panne ou protection active	
Mode heures creuses (si le symbole clignote, l'équipement reste en veille)	

L'interface utilisateur de ce modèle de chauffe-eau se compose de quatre boutons capacitifs et d'un écran DEL.

Dès que le chauffe-eau est allumé, les quatre boutons sont rétroéclairés et toutes les icônes et segments de l'écran s'allument simultanément pendant 3 s.

Pendant le fonctionnement normal du produit, les trois chiffres de l'écran indiquent la température de l'eau en °C, mesurée avec la sonde d'eau supérieure si le paramètre P11 est défini sur 1 ou avec la sonde d'eau inférieure si P11 = 0.

Lors de la modification du point de consigne du mode de fonctionnement sélectionné, la température du point de consigne est affichée à l'écran.

Les icônes indiquent le mode de fonctionnement sélectionné, la présence ou l'absence d'alarmes, l'état de la connexion Wi-Fi et d'autres informations sur l'état du produit.

7.1 Allumer et éteindre le chauffe-eau et déverrouiller les boutons

Lorsque le chauffe-eau est correctement alimenté, il peut être en "MARCHE" et, par conséquent, dans l'un des différents modes de fonctionnement disponibles (ÉCO, Automatique, etc.) ou en mode veille.

En mode veille, les quatre boutons capacitifs sont rétroéclairés pour faciliter leur visibilité, l'icône Wi-Fi est allumée en fonction de l'état de la connexion avec un routeur Wi-Fi externe (non fourni) et, en l'absence d'alarmes ou de protection antigèle active, toutes les autres icônes ainsi que les segments de trois chiffres sont éteints.

Allumer

Avec le chauffe-eau en mode veille et la fonction "verrouillage des boutons" active (icône cadenas en bas à gauche allumée), les boutons doivent d'abord être "déverrouillés" en appuyant sur le bouton MARCHE/ARRÊT pendant au moins 3 secondes (l'icône cadenas s'éteint), puis appuyez de nouveau sur le bouton MARCHE/ARRÊT pendant 3 secondes pour allumer le chauffe-eau.



Éteindre


Avec le chauffe-eau allumé et la fonction "verrouillage des boutons" active, les boutons doivent d'abord être "déverrouillés" en appuyant sur le bouton MARCHE/ARRÊT pendant au moins 3 secondes, puis appuyez de nouveau sur le bouton MARCHE/ARRÊT pendant 3 secondes pour éteindre le chauffe-eau (mise en mode veille).

Peu importe l'état, 60 secondes à partir de la dernière pression sur l'un des quatre boutons de l'interface utilisateur, la fonction de verrouillage des boutons est automatiquement activée afin d'éviter d'éventuelles interactions avec le chauffe-eau, par exemple par des enfants, etc. Au même moment, le niveau du rétroéclairage des boutons et de l'affichage diminue de manière à réduire la consommation d'énergie de l'appareil.

En appuyant sur l'un des quatre boutons, le rétroéclairage des boutons et l'affichage reviennent immédiatement à leur niveau normal pour une meilleure visibilité.

7.2 Réglage de l'horloge

Avec les boutons déverrouillés, appuyez pendant 3 secondes sur le bouton  pour accéder aux réglages de l'horloge (le symbole  clignote).

Réglez l'heure à l'aide des boutons "+" et "-", appuyez sur " " pour confirmer puis réglez les minutes.

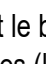

Appuyez sur le bouton  pour confirmer et quitter.

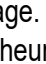
7.3 Définition des plages horaires


Il est nécessaire de régler l'horloge de l'équipement avant d'activer les plages horaires.


Sélectionnez le mode de fonctionnement souhaité, puis définissez les plages horaires.


Les plages horaires ne peuvent être activées qu'en modes ÉCO - AUTOMATIQUE - BOOST - ÉLECTRIQUE et VENTILATION.

Avec les boutons déverrouillés, appuyez simultanément sur le bouton  et le bouton "-" pendant 3 secondes pour définir les plages horaires (le symbole  s'affiche).

Réglez l'heure d'allumage à l'aide des boutons "+" et "-", appuyez sur " " pour confirmer puis réglez les minutes d'allumage.




Appuyez sur  pour confirmer et passer au réglage de l'heure d'extinction.

Appuyez sur  pour confirmer, puis, à l'aide des boutons "+" et "-", sélectionnez le mode de fonctionnement souhaité pour la plage horaire (ÉCO, AUTOMATIQUE, BOOST, ÉLECTRIQUE, VENTILATION).

Appuyez sur  pour confirmer et quitter.


Remarque: à la fin de la plage horaire, l'équipement se met en mode veille et y reste jusqu'à la prochaine répétition de la plage horaire le lendemain



Pour désactiver les plages horaires:

- réglez les heures de marche et arrêt sur minuit (00:00);
- appuyez sur  pour confirmer;
- appuyez simultanément sur le bouton  et "-" pendant 3 secondes (le symbole  s'éteint).

7.4 Réglage du point de consigne de l'eau chaude

Le point de consigne de l'eau chaude peut être ajusté dans les modes ÉCO, AUTOMATIQUE, BOOST et ÉLECTRIQUE

Sélectionnez le mode souhaité à l'aide du bouton , puis ajustez le point de consigne à l'aide des boutons "+" et "-".

Appuyez sur le bouton  pour confirmer et  pour quitter.


Numéro	Point de consigne d'eau chaude	
	Gamme	Valeur par défaut
ÉCO	43-62°C	55°C
AUTOMATIQUE	43-62°C	55°C
BOOST	43-75°C*	55°C
ÉLECTRIQUE	43-75°C	55°C

* En mode BOOST, la valeur du point de consigne maximale pour la pompe à chaleur est de 62°C. Par conséquent, en définissant une valeur plus élevée, cela ne doit être pris en compte que pour l'élément chauffant.

7.5 MODE DE FONCTIONNEMENT

Les modes suivants sont disponibles pour ce chauffe-eau:

- ÉCO;
- BOOST;
- ÉLECTRIQUE;
- VENTILATION;
- VACANCES;
- AUTOMATIQUE.

L'équipement est réglé sur le mode ÉCO; en appuyant sur ce bouton  il est possible de sélectionner le mode souhaité.

Pour les modes ÉCO, BOOST et AUTOMATIQUE, en appuyant simultanément sur les boutons "+" et "-" pendant 3 secondes, il est possible d'activer le "mode silencieux" (par exemple, pendant la nuit), ce qui réduit le bruit de l'équipement; dans cette condition, le rendement en termes de taux de chauffage d'eau risque d'être plus faible.

Pour désactiver ce mode, appuyez de nouveau simultanément sur les boutons "+" et "-" pendant 3 secondes.

7.5.1 ÉCO

L'affichage montre le symbole **HP**

Dans ce mode, seule la pompe à chaleur est utilisée dans les limites de fonctionnement du produit pour garantir une économie d'énergie maximale.

La pompe à chaleur s'allume 5 minutes après avoir sélectionné ce mode ou depuis la dernière extinction.

En cas d'extinction, dans les 5 premières minutes, la pompe à chaleur restera allumée dans tous les cas pour garantir au moins 5 minutes de fonctionnement continu.

7.5.2 BOOST

L'affichage montre les symboles **HP + ** en train de clignoter.


Dans ce mode, la pompe à chaleur et l'élément chauffant sont utilisés, dans les limites de fonctionnement du produit, pour assurer un chauffage plus rapide.

La pompe à chaleur s'allume 5 minutes après avoir sélectionné ce mode ou depuis la dernière extinction.

En cas d'extinction, dans les 5 premières minutes, la pompe à chaleur restera allumée dans tous les cas pour garantir au moins 5 minutes de fonctionnement continu.

L'élément chauffant s'allume immédiatement.

7.5.3 ÉLECTRIQUE

L'affichage montre le symbole .

Dans ce mode, seul l'élément chauffant est utilisé dans les limites de fonctionnement du produit et est utile dans les situations de basses températures de l'entrée d'air.


7.5.4 VENTILATION

L'affichage montre le message **FRn**.

Dans ce mode, seul le ventilateur électronique à l'intérieur de l'appareil est utilisé et il est utile si vous souhaitez faire recirculer l'air dans la pièce d'installation.


En mode automatique, le ventilateur sera réglé à la vitesse minimale.

7.5.5 VACANCES

L'affichage montre le symbole .


Ce mode est utile si vous êtes absent pendant un temps limité, et qu'ensuite vous souhaitez trouver automatiquement l'appareil fonctionnant en mode automatique.

Au moyen des boutons + et - il est possible de définir les jours d'absence pendant lesquels vous voulez que l'équipement reste en veille.

Appuyez sur  puis sur arrêt pour confirmer.



7.5.6 AUTOMATIQUE

L'affichage montre le symbole **HP + **.

Ce mode utilise la pompe à chaleur et, si nécessaire, l'élément chauffant, dans les limites de fonctionnement du produit, pour assurer le meilleur confort possible.

La pompe à chaleur s'allume 5 minutes après avoir sélectionné ce mode ou depuis la dernière extinction.

En cas d'extinction, dans les 5 premières minutes, la pompe à chaleur restera allumée dans tous les cas pour garantir au moins 5 minutes de fonctionnement continu.

7.6 AUTRES CARACTÉRISTIQUES

7.6.1 Mode solaire **HP** + ☀️ ou **HP** + 🌊 + ☀️ ou ✈️ + ☀️

(Uniquement pour les modèles PCV3)

Lorsque le mode solaire est activé à partir du menu installateur, seuls ÉCO - AUTOMATIQUE - VACANCES seront disponibles.

Lorsque le symbole ☀️ clignote à l'écran, le mode solaire n'est pas en train de fonctionner et l'appareil fonctionne dans le mode réglé: ÉCO, AUTOMATIQUE ou VACANCES.

Lorsque le symbole ☀️ à l'écran est allumé, l'énergie produite par le système solaire est utilisée pour chauffer l'eau à l'intérieur du ballon par l'intermédiaire du serpentin solaire.

7.6.2 Mode photovoltaïque **HP** + ☀️ + 🌊 ou **HP** + 🌊 + ☀️ + ✈️ + 🌊

Lorsque le mode photovoltaïque est activé à partir du menu installateur, seuls ÉCO - AUTOMATIQUE - VACANCES seront disponibles.

Lorsque le symbole ☀️ + 🌊 clignote à l'écran, le mode photovoltaïque n'est pas en train de fonctionner et l'appareil fonctionne dans le mode réglé: ÉCO, AUTOMATIQUE ou VACANCES.

Lorsque le symbole ☀️ + 🌊 à l'écran est allumé, l'énergie produite par le système photovoltaïque est utilisée pour chauffer l'eau à l'intérieur du ballon.

Lorsque le mode ÉCO est sélectionné, la pompe à chaleur fonctionne jusqu'à ce que le point de consigne pour ce mode soit atteint et l'élément chauffant reste allumé jusqu'à ce que le point de consigne photovoltaïque défini par le menu installateur soit atteint.

Sinon, avec le mode AUTOMATIQUE sélectionné, l'élément chauffant peut également être allumé avant d'atteindre le point de consigne de ce mode si les conditions l'exigent.

7.6.3 Mode heures creuses **HP** + 🕒 ou **HP** + 🌊 + 🕒

Lorsque le mode photovoltaïque est activé à partir du menu installateur, seuls ÉCO - AUTOMATIQUE seront disponibles.

Lorsque le symbole 🕒 clignote à l'écran, le mode heures creuses n'est pas en train de fonctionner et l'appareil reste en veille et la pompe à chaleur et l'élément chauffant sont éteints.

Sinon, lorsque le symbole 🕒 à l'écran est allumé, l'appareil fonctionne en mode ÉCO ou AUTOMATIQUE.

7.6.4 Anti-légionellose

L'affichage montre le symbole 🛡️.

Toutes les deux semaines, à l'heure programmée, un cycle de chauffage de l'eau est effectué au moyen de l'élément chauffant à l'intérieur du réservoir, jusqu'à la température anti-légionellose, en la conservant pendant la durée programmée.

Si, lorsque la température anti-légionellose est atteinte, le cycle n'est pas effectué correctement dans les 10 heures, il est interrompu et recommencera après 2 semaines.

Si la demande d'exécution de la fonction anti-légionellose a lieu avec le mode VACANCES sélectionné, le cycle anti-légionellose sera effectué immédiatement lors de la réactivation de l'appareil après les jours d'absence définis.

Paramètres anti-légionellose	Gamme	Valeur par défaut
Point de consigne de la température anti-légionellose (P3)	50÷75°C	75°C
Durée du cycle anti-légionellose (P4)	0÷90 min	30 min
Heure d'activation du cycle anti-légionellose (P29)	0÷23 h	23 h

7.6.5 Fonction dégivrage

L'affichage montre le symbole 🧊.

Cet appareil possède une fonction de dégivrage automatique de l'évaporateur qui est activée, lorsque les conditions de fonctionnement l'exigent, pendant le fonctionnement de la pompe à chaleur.

Le dégivrage s'effectue par injection de gaz chauds dans l'évaporateur qui permet de dégivrer rapidement ce dernier.

Pendant le dégivrage, l'élément chauffant, dont l'équipement est doté, est éteint, sauf indication contraire par l'intermédiaire du menu installateur (paramètre P6).

La durée maximale du dégivrage est de 8 minutes.

7.6.6 Protection antigel










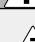



L'affichage montre le symbole ❄️.

Cette protection empêche la température de l'eau à l'intérieur du ballon d'atteindre des valeurs proches de zéro.

Avec l'équipement en mode veille, lorsque la température de l'eau à l'intérieur du ballon est inférieure ou égale à 5°C (paramètre configurable par l'intermédiaire du menu installateur), la fonction de protection antigel est activée qui allume l'élément chauffant jusqu'à ce qu'il atteigne 12°C (paramètre configurable par l'intermédiaire du menu installateur).

7.7 Pannes/protection

Cet appareil dispose d'un système d'autodiagnostic qui couvre certaines pannes ou protections éventuelles contre des conditions de fonctionnement anormales à travers: la détection, la signalisation et l'adoption d'une procédure d'urgence jusqu'à la résolution de la panne.

Panne/protection	Code d'erreur	Indication sur l'affichage
Panne de la sonde inférieure du ballon	P01	 + P01
Panne de la sonde supérieure du ballon	P02	 + P02
Panne de la sonde de dégivrage	P03	 + P03
Panne de la sonde de l'entrée d'air	P04	 + P04
Panne de la sonde d'entrée de l'évaporateur	P05	 + P05
Panne de la sonde de sortie de l'évaporateur	P06	 + P06
Panne de la sonde de débit du compresseur	P07	 + P07
Panne de la sonde du collecteur solaire	P08	 + P08
Protection contre la haute pression	E01	 + E01
Alarme du circuit solaire/de recirculation	E02	 +E02
La température n'est pas adéquate pour l'alarme du fonctionnement de la pompe à chaleur (Lorsque l'alarme est active, l'eau n'est chauffée que par l'élément chauffant)	PA	 +PA
Pas de communication (lorsque l'alarme est active, l'équipement ne fonctionne pas)	E08	 + E08
Panne du ventilateur électronique	E03	 + E03

Dans le cas où une ou plusieurs des pannes susmentionnées se produisent, vous devez contacter l'assistance technique du fabricant en indiquant le code d'erreur affiché à l'écran.

8. MISE EN SERVICE



ATTENTION!: vérifiez que l'équipement est bien raccordé au fil de terre.



ATTENTION!: vérifiez que la tension secteur correspond à celle indiquée sur la plaque signalétique de l'équipement.



ATTENTION: l'appareil ne peut être mis sous tension qu'après avoir été rempli d'eau.

Pour la mise en service, procédez comme suit:

- Une fois l'appareil installé et tous les raccordements effectués (aérauliques, hydrauliques, électriques, etc.), il doit être rempli avec de l'eau du réseau d'alimentation en eau sanitaire. Pour remplir l'appareil, vous devez ouvrir le robinet central de l'alimentation du réseau sanitaire et le robinet d'eau chaude le plus proche, tout en vous assurant que tout l'air dans le réservoir est expulsé au fur et à mesure.
- Ne dépassez pas la pression maximale autorisée indiquée dans la section "Données techniques générales".
- Vérifiez les dispositifs de sécurité du circuit d'eau.
- Branchez l'appareil sur la prise de courant.
- Lorsque la fiche est insérée, la chaudière est en mode veille, l'écran reste éteint, le bouton d'alimentation s'allume.
- Appuyez sur le bouton MARCHE/ARRÊT, l'appareil s'active en mode "ÉCO" (réglage d'usine).

En cas de coupure électrique soudaine, lors du rétablissement, l'équipement redémarrera avec le mode de fonctionnement précédant l'interruption.

8.1 Interrogation, modification des paramètres de fonctionnement

Cet équipement possède deux menus distincts pour consulter et modifier les paramètres de fonctionnement (voir «8.1.1 Liste des paramètres de l'équipement»).

L'équipement en fonctionnement, vous pouvez consulter librement les paramètres à tout moment en déverrouillant les boutons (voir «7.1 Allumer et éteindre le chauffe-eau et déverrouiller les boutons») et en appuyant simultanément sur les boutons "☑" et "+" pendant 3 secondes. L'étiquette du premier paramètre est affichée à l'écran par la lettre "A". Une pression sur le bouton "+" affiche sa valeur, une nouvelle pression sur ce bouton affiche l'étiquette du deuxième paramètre "B", et ainsi de suite.

Avec les boutons "+" et "-" il est donc possible de faire défiler en avant/en arrière toute la liste des paramètres.

Appuyez sur le bouton "MARCHE/ARRÊT" pour quitter.

La modification d'un ou plusieurs paramètres de fonctionnement ne peut se réaliser qu'avec l'équipement en mode veille et vous demande de saisir le mot de passe.



N.B.! "L'utilisation du mot de passe est réservée au personnel qualifié; toute conséquence résultant de réglages incorrects de paramètres sera sous la seule responsabilité du client. Par conséquent, toute intervention demandée par le client auprès d'un centre d'assistance technique DAIKIN pendant la période de garantie standard pour des problèmes de produit en raison de réglages incorrects des paramètres protégés par mot de passe ne sera pas couverte par la garantie standard".

Avec les boutons déverrouillés, **uniquement en mode veille**, appuyez simultanément sur les boutons "☑" et "+" pendant 3 secondes pour accéder au menu de modification des paramètres de l'équipement (protégé par mot de passe: 35). Les deux chiffres "00" sont affichés à l'écran. Appuyez sur le bouton "☑". Le chiffre "0" sur le côté gauche clignote et au moyen de "+" et "-" sélectionnez le premier chiffre à saisir (3) et appuyez sur "☑" pour confirmer. Procédez de la même manière pour le deuxième chiffre (5).

Si le mot de passe est correct, le paramètre P1 s'affiche. Appuyez sur le bouton "+" pour afficher la valeur par défaut de ce paramètre qui peut être modifiée en appuyant sur ☑, et par les boutons "+" et "-" il est possible de modifier sa valeur dans la plage autorisée pour ce paramètre. Appuyez ensuite sur ☑ pour confirmer et sur le bouton "+" pour continuer avec les autres paramètres.

Après avoir modifié les paramètres souhaités, appuyez sur le bouton marche/arrêt pour sauvegarder et quitter.

L'équipement se remet en mode veille.

8.1.1 Liste des paramètres de l'équipement

Paramètre	Description	Gamme	Valeur par défaut	Remarques
A	Sonde de température d'eau inférieure	-30÷99°C	Valeur mesurée	Non modifiable
B	Sonde de température d'eau supérieure	-30÷99°C	Valeur mesurée	Non modifiable
C	Sonde de température de dégivrage	-30÷99°C	Valeur mesurée	Non modifiable
D	Sonde de température de l'apport d'air	-30÷99°C	Valeur mesurée	Non modifiable
E	Sonde de température du gaz d'entrée de l'évaporateur	-30÷99°C	Valeur mesurée / "0°C" si P33 = 0	Non modifiable (1)
F	Sonde de température du gaz de sortie de l'évaporateur	-30÷99°C	Valeur mesurée / "0°C" si P33 = 0	Non modifiable (1)
G	Sonde de température du gaz de refoulement du compresseur	0÷125°C	Valeur mesurée / "0°C" si P33 = 0	Non modifiable (1)
H	Sonde de température du collecteur solaire (PT1000)	0÷150°C	Valeur mesurée / "0°C" si P16 = 2	Non modifiable (2)
I	Étape d'ouverture EEV	30÷500	Valeur mesurée / valeur P40 si P39 = 1	Non modifiable (1)
J	Version du micrologiciel de la carte d'alimentation	0÷99	Valeur actuelle	Non modifiable
L	Version du micrologiciel de l'interface utilisateur	0÷99	Valeur actuelle	Non modifiable
P1	Hystérésis sur sonde d'eau inférieure pour le fonctionnement de la pompe à chaleur	2÷15°C	7°C	Modifiable
P2	Retard d'allumage du chauffage électrique	0÷90 min	6 min	Fonction exclue
P3	Température du point de consigne de l'anti-légionellose	50°C÷75°C	75°C	Modifiable
P4	Durée de l'anti-légionellose	0÷90 min	30 min	Modifiable
P5	Mode dégivrage	0 = arrêt du compresseur 1 = gaz chaud	1	Modifiable
P6	Utilisation du chauffage électrique pendant le dégivrage	0= ARRÊT 1= MARCHÉ	0	Modifiable
P7	Délai entre deux cycles consécutifs de dégivrage	30÷90 min	60 min	Modifiable
P8	Seuil de température pour le démarrage du dégivrage	-30÷0°C	-5°C	Modifiable
P9	Seuil de température pour l'arrêt du dégivrage	2÷30°C	3°C	Modifiable
P10	Durée maximale du dégivrage	3 min÷12 min	10 min	Modifiable
P11	Valeur de sonde de température d'eau affichée à l'écran	0 = inférieure 1 = supérieure	1	Modifiable
P12	Mode d'utilisation de la pompe externe	0 = toujours ARRÊT 1 = recirculation d'eau chaude 2 = système solaire thermique	1	Modifiable
P13	Mode de fonctionnement de la pompe de recirculation de l'eau chaude	0 = avec la pompe à chaleur 1 = toujours en MARCHÉ	0	Modifiable
P14	Type de ventilateur évaporateur (EC; CA; CA à deux vitesses; EC avec contrôle de vitesse dynamique)	0 = EC 1 = CA 2 = CA à deux vitesses 3 = EC avec contrôle de vitesse dynamique	3	Modifiable
P15	Type de contacteur de débit de sécurité pour circuit de recirculation d'eau chaude / solaire, commutateur de sélection de basse pression	0 = NC 1 = NO 2 = commutateur de sélection de basse pression	0	Modifiable
P16	Intégration du mode solaire	0 = désactivé en permanence 1 = fonctionne avec DIG1 2 = contrôle direct du système solaire thermique	0	Modifiable (2)

Paramètre	Description	Gamme	Valeur par défaut	Remarques
P17	Délai de démarrage de la pompe à chaleur après l'ouverture de DIG1	10÷60 min	20 min	Modifiable (2)
P18	Valeur de température de la sonde d'eau inférieure pour arrêter la pompe à chaleur dans l'intégration du mode solaire = 1 (fonctionne avec DIG1)	20÷60°C	40°C	Modifiable (2)
P19	Hystérésis sur sonde d'eau inférieure pour démarrer la pompe dans l'intégration du mode solaire = 2 (contrôle direct du système solaire thermique)	5÷20°C	10°C	Modifiable (2)
P20	Seuil de température pour le mécanisme de la vanne de purge solaire/volet roulant du collecteur solaire dans l'intégration du mode solaire = 2 (contrôle direct du système solaire thermique)	100÷150°C	140°C	Modifiable (2)
P21	Valeur de température de la sonde d'eau inférieure pour arrêter la pompe à chaleur dans l'intégration du mode photovoltaïque	30÷70°C	62°C	Modifiable
P22	Valeur de température de la sonde d'eau supérieure pour arrêter le chauffage électrique dans l'intégration du mode photovoltaïque	30÷80°C	75°C	Modifiable
P23	Intégration du mode photovoltaïque	0 = désactivé en permanence 1 = activé	0	Modifiable
P24	Mode de fonctionnement en heures creuses	0 = désactivé en permanence 1 = activé avec ÉCO 2 = activé avec AUTO	0	Modifiable
P25	Valeur de décalage sur la sonde de température d'eau supérieure	-25÷25°C	2°C	Modifiable
P26	Valeur de décalage sur la sonde de température d'eau inférieure	-25÷25°C	2°C	Modifiable
P27	Valeur de décalage sur la sonde de température d'entrée d'air	-25÷25°C	0°C	Modifiable
P28	Valeur de décalage sur la sonde de température de dégivrage	-25÷25°C	0°C	Modifiable
P29	Heure de démarrage de l'anti-légionellose	0÷23 heures	23 heures	Modifiable
P30	Hystérésis sur sonde d'eau supérieure pour le fonctionnement du chauffage électrique	2÷20°C	7°C	Modifiable
P31	Période de fonctionnement de la pompe à chaleur en mode AUTO pour le calcul du taux de chauffage	10÷80 min	30 min	Modifiable
P32	Seuil de température pour l'utilisation du chauffage électrique en mode AUTO	0÷20°C	4°C	Modifiable
P33	Contrôle de la vanne de détente électronique (EEV)	0 = désactivé en permanence 1 = activé	1	Modifiable (1)
P34	Période de calcul de surchauffe pour le mode de contrôle automatique de l'EEV	20÷90s	30 s	Modifiable (1)
P35	Point de consigne de surchauffe pour le mode de contrôle automatique de l'EEV	-8÷15°C	4°C	Modifiable (1)
P36	Point de consigne de la fin de la surchauffe pour le mode de contrôle automatique de l'EEV	60÷110°C	88°C	Modifiable (1)
P37	Étape d'ouverture de l'EEV pendant le mode de dégivrage (x10)	5÷50	15	Modifiable (1)
P38	Ouverture d'étape EEV minimale avec le mode de contrôle automatique (x10)	3~45	9	Modifiable (1)
P39	Mode de contrôle de l'EEV	0= automatique 1 = manuel	0	Modifiable (1)

Paramètre	Description	Gamme	Valeur par défaut	Remarques
P40	Ouverture de l'étape EEV initiale avec mode de contrôle automatique/ouverture de l'étape EEV avec mode de contrôle manuel (x10)	5÷50	25	Modifiable (1)
P41	Seuil de température AKP1 pour gain KP1 de l'EEV	-10÷10°C	-1	Modifiable (1)
P42	Seuil de température AKP2 pour gain KP2 de l'EEV	-10÷10°C	0	Modifiable (1)
P43	Seuil de température AKP3 pour gain KP3 de l'EEV	-10÷10°C	0	Modifiable (1)
P44	Gain KP1 de l'EEV	-10÷10	2	Modifiable (1)
P45	Gain KP2 de l'EEV	-10÷10	2	Modifiable (1)
P46	Gain KP3 de l'EEV	-10÷10	1	Modifiable (1)
P47	Température d'entrée maximale autorisée pour le fonctionnement de la pompe à chaleur	38÷43°C	43°C	Modifiable
P48	Température d'entrée minimale autorisée pour le fonctionnement de la pompe à chaleur	-10÷10°C	-7°C	Modifiable
P49	Seuil sur la température d'entrée pour régler la vitesse du ventilateur de l'évaporateur EC ou CA à deux vitesses	10÷40°C	25°C	Modifiable
P50	Point de consigne de la température inférieure de l'eau pour l'antigel	0÷15°C	12°C	Modifiable
P51	Point de consigne de vitesse supérieure du ventilateur de l'évaporateur EC	60÷100%	90%	Modifiable
P52	Point de consigne de vitesse inférieure du ventilateur de l'évaporateur EC	10÷60%	50%	Modifiable
P53	Point de consigne de la vitesse de dégivrage du ventilateur évaporateur EC	0÷100%	50%	Modifiable
P54	Temps de dérivation du commutateur basse pression	1÷240 min	1	Modifiable
P55	Régulation proportionnelle de la température de l'évaporateur de la plage 1	1÷20°C	4°C	Modifiable
P56	Température différentielle avec activation de la vitesse maximale	P57÷20°C	2°C	Modifiable
P57	Température différentielle avec désactivation de la vitesse maximale	1°C÷P56	1°C	Modifiable
P58	Utilisation du ventilateur évaporateur avec le compresseur à l'arrêt	0 = ARRÊT 1 = MARCHÉ avec contrôle de vitesse manuel 2 = MARCHÉ avec contrôle de vitesse automatique	0	Modifiable
P59	Vitesse du ventilateur évaporateur (EC) avec le compresseur à l'arrêt	0÷100%	40	Modifiable
P60	Différence de température 1 de l'évaporation de l'air pour le calcul du point de consigne	1÷25°C	4°C	Modifiable
P61	Différence de température 2 de l'évaporation de l'air pour le calcul du point de consigne	1÷25°C	2°C	Modifiable
P62	Différence de température 3 de l'évaporation de l'air pour le calcul du point de consigne	1÷25°C	6°C	Modifiable
P63	Différence de température 4 de l'évaporation de l'air pour le calcul du point de consigne	1÷25°C	3°C	Modifiable
P64	Différence de température 5 de l'évaporation de l'air pour le calcul du point de consigne	1÷25°C	10°C	Modifiable
P65	Différence de température 6 de l'évaporation de l'air pour le calcul du point de consigne	1÷25°C	18°C	Modifiable
P66	Régulation proportionnelle de la température de l'évaporateur de la plage 2	1÷20°C	2°C	Modifiable
P67	Régulation proportionnelle de la température de l'évaporateur de la plage 3	1÷20°C	9°C	Modifiable

Paramètre	Description	Gamme	Valeur par défaut	Remarques
P68	Régulation proportionnelle de la température de l'évaporateur de la plage 4	1÷20°C	5°C	Modifiable
P69	Régulation proportionnelle de la température de l'évaporateur de la plage 5	1÷20°C	10°C	Modifiable
P70	Régulation proportionnelle de la température de l'évaporateur de la plage 6	1÷20°C	5°C	Modifiable
P71	Réduction de vitesse du ventilateur évaporateur EC pour mode silencieux	0÷40%	15%	Modifiable
P72	Gain du régulateur de vitesse du ventilateur EC	1÷100	5	Modifiable

(1) = **NON UTILISABLE POUR CET APPAREIL**

(2) = **UNIQUEMENT POUR LES MODÈLES "EKHHE200PCV37, EKHHE260PCV37"**

9. DÉPANNAGE



ATTENTION: n'essayez pas de réparer vous-même votre appareil.

Les vérifications suivantes sont réservées au personnel qualifié uniquement.

Panne	Action recommandée
L'équipement ne s'allume pas	<ul style="list-style-type: none"> • Vérifiez que le produit est bien alimenté par le secteur. • Débranchez l'équipement et rebranchez-le après quelques minutes. • Vérifiez le câble électrique à l'intérieur du produit. • Vérifiez que le fusible de la carte d'alimentation est intact. Sinon, remplacez-le par un fusible retardé de 5 A certifié CEI-60127-2/II.
Il n'est pas possible de chauffer l'eau à l'aide de la pompe à chaleur en mode ÉCO ou AUTOMATIQUE	<ul style="list-style-type: none"> • Éteignez l'équipement et rallumez-le après quelques heures. • Débranchez l'équipement du secteur, vidangez une partie de l'eau contenue dans le ballon (environ 50%), puis remplissez-le et rallumez l'équipement en mode ÉCO.
La pompe à chaleur reste allumée sans jamais s'arrêter	<ul style="list-style-type: none"> • Vérifiez que, sans puiser de l'eau chaude du produit, le chauffage par pompe à chaleur s'effectue vraiment quelques heures plus tard.
Il n'est pas possible de chauffer l'eau à l'aide de l'élément chauffant en mode AUTOMATIQUE	<ul style="list-style-type: none"> • Éteignez l'équipement et vérifiez le thermostat de sécurité de l'élément chauffant à l'intérieur de l'équipement et réinitialisez-le si nécessaire. Allumez ensuite l'équipement en mode AUTOMATIQUE. • Débranchez l'équipement du secteur, vidangez une partie de l'eau contenue dans le ballon (environ 50%), puis remplissez-le et rallumez l'équipement en mode AUTOMATIQUE. • Entrez dans le menu installateur et augmentez la valeur du paramètre P32, par exemple à 7°C. • Vérifiez que le thermostat de sécurité de l'élément chauffant n'est pas intervenu (consultez 9.2)

9.1 Remplacement du fusible de la carte d'alimentation

Procédez comme indiqué ci-dessous (réservé au personnel technique qualifié uniquement):

- Débranchez l'alimentation de l'équipement.
- Retirez le couvercle supérieur de l'équipement et le couvercle de la carte d'alimentation.
- Retirez le capuchon du fusible puis le fusible, à l'aide d'un tournevis approprié.
- Installez un nouveau fusible retardé de 5 A (T5AL250V) certifié CEI-60127-2/II, et remettez son capuchon de protection.
- Remontez tous les plastiques et, avant d'alimenter l'appareil, assurez-vous qu'il est correctement installé.

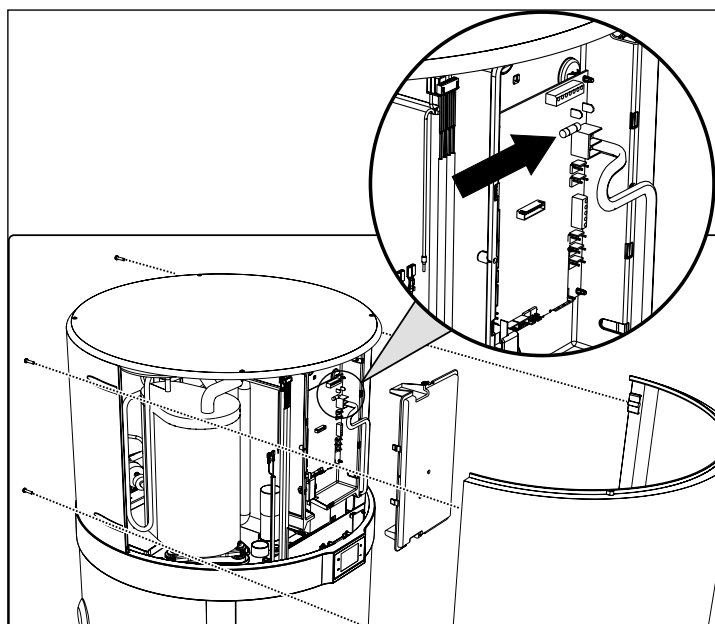


fig. 28

9.2 Réinitialisation du thermostat de sécurité de l'élément chauffant

Cet équipement est équipé d'un thermostat de sécurité à réinitialisation manuelle branché en série à l'élément chauffant immergé dans l'eau qui coupe l'alimentation électrique en cas de surchauffe à l'intérieur du ballon.

Si nécessaire, procédez comme suit pour réinitialiser le thermostat (réservé au personnel technique qualifié):

- Débranchez le produit.
- Retirez les conduits d'air.
- Retirez le couvercle supérieur en dévissant d'abord les vis de verrouillage (fig. 29).
- Retirez le panneau avant et réinitialisez manuellement le thermostat de sécurité déclenché (fig. 30). En cas d'intervention, la broche centrale du thermostat dépasse d'environ 2 mm.

- Remontez le couvercle supérieur démonté précédemment.

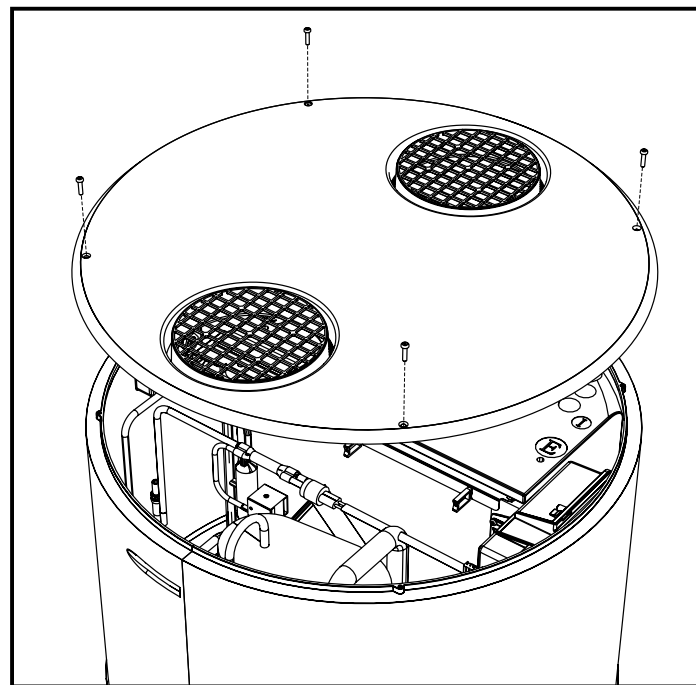


fig. 29- Retrait du panneau supérieur

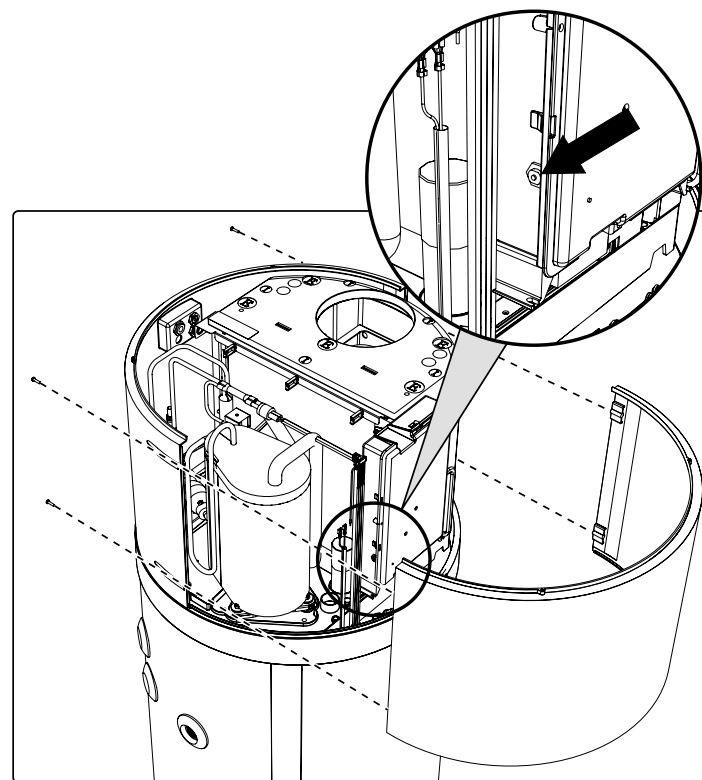


fig. 30- Retrait du panneau avant

! **ATTENTION!** l'intervention du thermostat de sécurité peut être provoquée par une panne liée à la carte de commande ou par l'absence d'eau à l'intérieur du ballon.

! **ATTENTION!** les interventions de réparation sur des composants avec une fonction de sécurité compromettent la sécurité de fonctionnement de l'équipement. Remplacez les éléments défectueux uniquement par des pièces de rechange d'origine.

! **N.B.!** l'intervention du thermostat exclut le fonctionnement de l'élément chauffant, mais pas le système de pompe à chaleur dans les limites de fonctionnement autorisées.

! **ATTENTION!** Dans le cas où l'opérateur n'a pas pu remédier à la panne, mettez l'équipement hors tension et contactez le service d'assistance technique en communiquant le modèle du produit acheté.

10. MAINTENANCE

! **ATTENTION!** toute réparation de l'équipement doit être effectuée par du personnel qualifié. Des réparations incorrectes peuvent mettre l'utilisateur sérieusement en danger. Si votre équipement doit être réparé, contactez le service après-vente.

! **ATTENTION!** avant toute intervention d'entretien, assurez-vous que l'équipement n'est pas et ne peut pas être accidentellement alimenté électriquement. Par conséquent, à chaque entretien ou nettoyage, débranchez l'alimentation.

10.1 Vérification/remplacement de l'anode sacrificielle

L'anode en magnésium (Mg), également appelée anode "sacrificielle", empêche tout courant de Foucault généré à l'intérieur de la chaudière de déclencher des processus de corrosion de surface.

Le magnésium est en fait un métal avec une charge faible par rapport au matériau dont l'intérieur de la chaudière est recouvert, par conséquent il attire d'abord les charges négatives qui se forment en chauffant l'eau, en se consommant. L'anode se "sacrifie" alors en se corrodant à la place du ballon. La chaudière dispose de deux anodes, une montée dans la partie inférieure du ballon et l'autre montée dans la partie supérieure du ballon (zone la plus sujette à la corrosion).

L'intégrité des anodes Mg doit être vérifiée au moins tous les deux ans (de préférence une fois par an). L'opération doit être exécutée par du personnel qualifié.

Avant d'effectuer la vérification:

- Fermez l'entrée d'eau froide.
- Videz l'eau de la chaudière (consultez le paragraphe «10.2 Vidage de la chaudière»).

- Dévissez l'anode supérieure et vérifiez l'état de corrosion de celle-ci; si la corrosion affecte plus des 2/3 de la surface de l'anode, procédez au remplacement.

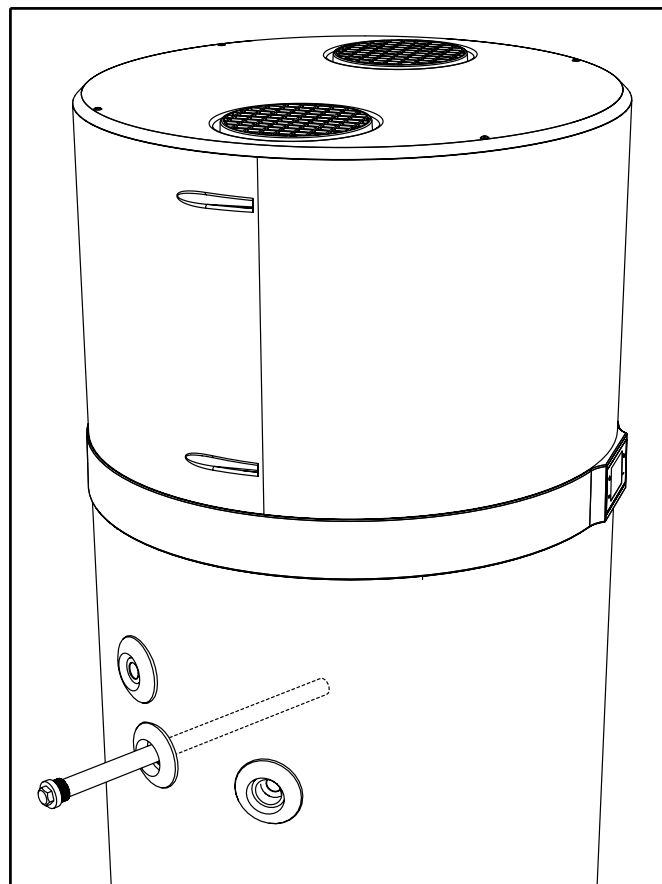


fig. 31

Les anodes ont un joint d'étanchéité spécial, pour éviter les fuites d'eau; utilisez un produit d'étanchéité pour raccords filetés anaérobie compatible avec les systèmes de chauffage-plomberie. Les joints doivent être remplacés par de nouveaux joints en cas de vérification et aussi de remplacement des anodes.

10.2 Vidage de la chaudière

En cas de non utilisation, notamment en présence de basses températures, il est conseillé de vidanger l'eau présente à l'intérieur de la chaudière.

Pour l'équipement en question, il suffit de débrancher le raccordement d'entrée d'eau (voir paragraphe «6.5 Branchements hydrauliques»). Alternativement, il est conseillé pendant la phase de mise en place du système d'installer un robinet de vidange doté d'un raccordement de flexible.

! **N.B.!** n'oubliez pas de vider le système en cas de basses températures pour éviter le gel.

11. MISE AU REBUT

En fin d'utilisation, les pompes à chaleur doivent être mises au rebut conformément à la réglementation en vigueur.



ATTENTION!: cet équipement contient des gaz à effet de serre fluorés inclus dans le protocole de Kyoto. Les opérations de dépannage et de mise au rebut de ce produit doivent être effectués par du personnel qualifié uniquement.

INFORMATIONS POUR LES UTILISATEURS



Conformément aux directives 2011/65/UE et 2012/19/UE relatives à la réduction de l'utilisation de substances dangereuses dans les équipements électriques et électroniques, ainsi qu'à l'élimination des déchets.

Le symbole de la poubelle barrée figurant sur l'équipement ou sur son emballage indique que le produit en fin de vie doit être collecté séparément des autres déchets.

L'utilisateur doit donc transférer l'équipement en fin d'utilisation dans les centres de recyclage appropriés pour les équipements électriques et électroniques, ou le retourner au revendeur lors de l'achat d'un nouveau type d'équipement équivalent, à raison d'un à un.

La collecte de déchets séparée adéquate pour l'acheminement ultérieur de l'équipement mis hors service vers le recyclage, le traitement et/ou l'élimination compatibles avec l'environnement contribue à éviter tout effet négatif sur l'environnement et la santé et favorise la réutilisation et/ou le recyclage des matériaux qui composent l'équipement.

L'élimination non autorisée du produit par l'utilisateur entraîne l'application des sanctions administratives prévues par la législation en vigueur.

Les principaux matériaux qui composent l'équipement en question sont:

- acier
- magnésium
- plastique
- cuivre
- aluminium
- polyuréthane

12. FICHE PRODUIT

Descriptions	u.m.	EKHHE200CV37	EKHHE260CV37	EKHHE200PCV37	EKHHE260PCV37
Profil de charge déclaré	-	L	XL	L	XL
Réglages de température du thermostat du chauffe-eau	°C	55	55	55	55
Classe d'efficacité énergétique du chauffage d'eau ⁽¹⁾	-	A+	A+	A+	A+
Efficacité énergétique du chauffage d'eau - η_{wh} ⁽¹⁾	%	135	138	135	138
COP _{DHW} ⁽¹⁾	-	3,23	3,37	3,23	3,37
Consommation électrique annuelle - AEC ⁽¹⁾	kWh	761	1210	761	1210
Efficacité énergétique du chauffage d'eau - η_{wh} ⁽²⁾	%	106	112	106	112
COP _{DHW} ⁽²⁾	-	2,55	2,73	2,55	2,73
Consommation électrique annuelle - AEC ⁽²⁾	kWh	944	1496	944	1496
Efficacité énergétique du chauffage d'eau - η_{wh} ⁽³⁾	%	162	160	162	160
COP _{DHW} ⁽³⁾	-	3,89	3,9	3,89	3,9
Consommation électrique annuelle - AEC ⁽³⁾	kWh	631	1046	631	1046
Niveau de puissance acoustique à l'intérieur ⁽⁴⁾	dB (A)	53	51	53	51
Niveau de puissance acoustique à l'extérieur ⁽⁴⁾	dB (A)	45	44	45	44
Le chauffe-eau ne peut fonctionner que pendant les heures creuses	-	NON	NON	NON	NON
Toute précaution spécifique à prendre au moment d'assembler, d'installer ou d'effectuer la maintenance du chauffe-eau	-	Voir manuel			

(1) : données conformes à la norme EN 16147: 2017 pour conditions climatiques MOYENNES (unité en mode ÉCO; eau d'entrée = 10°C; température de l'air d'entrée = 7°C DB / 6°C WB)

(2) : données conformes à la norme EN 16147: 2017 pour conditions climatiques PLUS FROIDES (unité en mode ÉCO; eau d'entrée = 10°C; température de l'air d'entrée = 2°C DB / 1°C WB)

(3) : données conformes à la norme EN 16147: 2017 pour conditions climatiques PLUS CHAUDES (unité en mode ÉCO; eau d'entrée = 10°C; température de l'air d'entrée = 14°C DB / 13°C WB)

(4) : Données conformes à EN 12102-2: 2019 mode ÉCO avec température de l'air d'entrée = 7°C DB / 6°C WB

1. ALGEMENE VEILIGHEIDSMATREGELEN	2
2. INLEIDING	6
2.1 Producten	6
2.2 Disclaimer	6
2.3 Taal	6
2.4 Auteursrecht	7
2.5 Beschikbare versies en configuraties	7
3. HANTERING EN TRANSPORT	7
3.1 Ontvangst	7
4. BOUWKENMERKEN	9
4.1 Afmetingsgegevens	10
4.2 Technische kenmerken	11
5. BELANGRIJKE INFORMATIE	12
5.1 Overeenstemming met Europese regelgevingen	12
5.2 Bescherming van de behuizing	12
5.3 Werkingslimieten	12
5.4 Werkingslimieten	12
5.5 Fundamentele veiligheidsvoorschriften	13
5.6 Informatie over het gebruikte koelmiddel	13
6. INSTALLATIE EN AANSLUITINGEN	13
6.1 Voorbereiding van de installatieplaats	13
6.2 Bevestigen aan de vloer	14
6.3 Aëraulische aansluitingen.....	14
6.4 Bevestiging en aansluiting van dit toestel.....	16
6.5 Hydraulische verbindingen	16
6.6 Integratie met zonne-energiesysteem (<i>enkel voor EKHHE200PCV37- en EKHHE260PCV37-modellen</i>).....	17
6.7 Elektrische aansluitingen	18
6.8 Bedradingsschema.....	20
7. BESCHRIJVING VAN DE GEBRUIKERSINTERFACE EN DE WERKING VAN DE APPARATUUR	21
7.1 In- en uitschakelen van de boiler en ontgrendelen van de toetsen	22
7.2 Klok instellen.....	22
7.3 Tijdsintervallen instellen.....	22
7.4 Instellen van het instelpunt warm water.....	22
7.5 Bedrijfsmodus	23
7.6 Extra functies.....	24
7.7 Storingen/beveiliging	25
8. INBEDRIJFSTELLING	26
8.1 Bedrijfsparameters zoeken en bewerken	26
9. PROBLEEMOPLOSSING	30
9.1 Vervanging van de zekering van de voedingskaart	31
9.2 Resetten van de veiligheidsthermostaat van het verwarmingselement.....	31
10. ONDERHOUD	32
10.1 Controle/vervanging opofferingsanode.....	32
10.2 Boiler leegmaken	32
11. ALS AFVAL VERWIJDEREN	33
12. PRODUCTBLAD	33

1. ALGEMENE VEILIGHEIDSMATREGELEN

VOORZICHTIG:

- Deze handleiding maakt integraal deel uit van het product. Bewaar deze zorgvuldig bij het toestel en geef het door aan de volgende gebruiker/eigenaar in geval van verandering van eigendom.
- Deze instructies zijn ook verkrijgbaar bij de klantenservice van de fabrikant en op zijn website: www.daikin.eu
- Lees de instructies en waarschuwingen in deze handleiding zorgvuldig, ze bevatten belangrijke informatie over eenveilig(e) installatie, gebruik en onderhoud.

VEILIGHEIDSWAARSCHUWINGEN

Gebruik het toestel niet anders dan voor het voorgeschreven gebruik. De fabrikant is niet aansprakelijk voor schade als gevolg van oneigenlijk of verkeerd gebruik of het niet in acht nemen van de instructies in deze handleiding.

Dit toestel is niet bedoeld voor gebruik door personen (inclusief kinderen) met verminderde fysieke, zintuiglijke of mentale mogelijkheden, of personen met een gebrek aan ervaring of kennis, tenzij zij onderricht zijn in en eerder supervisie hebben gekregen bij het gebruik van het toestel door een persoon die verantwoordelijk is voor hun veiligheid.

Zie erop toe dat kinderen niet met het toestel spelen.

Dit toestel mag worden gebruikt door kinderen van 8 jaar en ouder en door personen met verminderde fysieke, sensorische of geestelijke capaciteiten of gebrek aan ervaring en kennis als zij supervisie of instructie krijgen over het veilige gebruik van het toestel en als zij de gevaren met betrekking daarmee begrijpen.

Kinderen mogen niet met het toestel spelen.

Water dat wordt verwarmd tot meer dan 50°C kan direct ernstige brandwonden veroorzaken als het rechtstreeks aan de kranen wordt geleverd. Vooral kinderen, gehandicapten en ouderen lopen gevaar. Het wordt aanbevolen om een thermostatische mengkraan op de wateraanvoerleiding te installeren.

Dit toestel mag niet zonder toezicht door kinderen worden gereinigd of onderhouden.

Raak het toestel niet aan als u op blote voeten loopt of als een deel van uw lichaam nat is.

Laat geen brandbare materialen achter in contact met of in de buurt van het toestel.

Het toestel moet worden geleegd wanneer het buiten gebruik is in een gebied met temperaturen onder het vriespunt. Laat af zoals beschreven in het betreffende hoofdstuk.

WAARSCHUWING BETREFFENDE DE INSTALLATIE

Het toestel moet worden geïnstalleerd en in bedrijf gesteld door een gekwalificeerde installateur in overeenstemming met de lokale wetgeving en de gezondheids- en veiligheidsvoorschriften. Alle stroomcircuits moeten worden afgesloten voordat u het aansluitingenblok opent.

Een onjuiste installatie kan leiden tot materiële schade en letsel aan personen en dieren; de fabrikant is niet aansprakelijk voor de gevolgen.

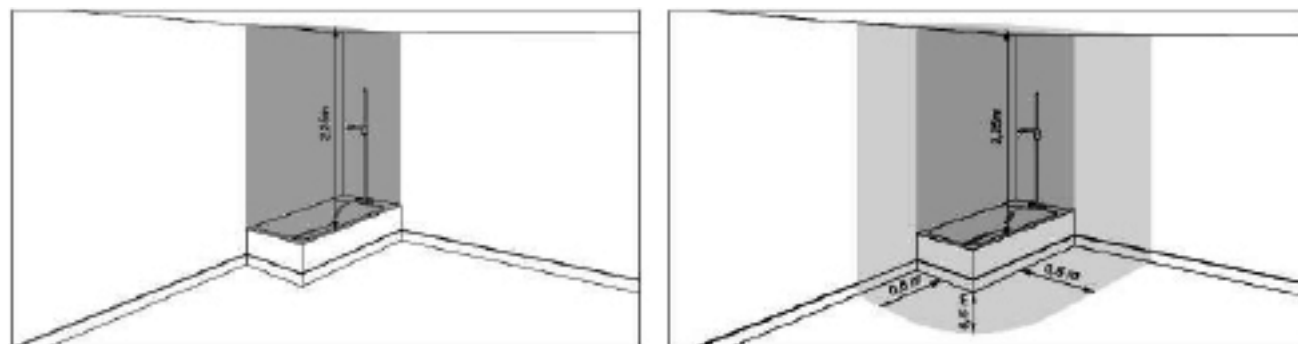
Dit product is zwaar, hanteer het met de nodige voorzichtigheid en installeer het product in een vorstvrije ruimte.

Zorg ervoor dat de vloer het gewicht van het met water gevulde toestel kan dragen.

Bij vernieling van het toestel door overdruk als gevolg van een geblokkeerd veiligheidsapparaat wordt de garantie ongeldig.

INSTALLATIEWAARSCHUWINGEN

Gebruik bij de installatie van dit product in een badkamer niet de "Verboden ruimte" en respecteer op zijn minst de "Beschermd ruimte" zoals hieronder weergegeven:



Verboden ruimte

Beschermd ruimte

Dit product moet op een toegankelijke plaats worden geplaatst.

De boiler moet met behulp van de daarvoor bestemde bevestigingsbeugels aan de grond worden bevestigd; lijm wordt niet hierbij beschouwd als een betrouwbaar bevestigingsmiddel.

Dit product is ontworpen voor gebruik op een maximale hoogte van 2000 m.

Zie de beschrijving en afbeeldingen in de punten 6.1, 6.2 en 6.4.

WAARSCHUWINGEN VOOR AERULISCHE AANSLUITINGEN

Het gelijktijdige gebruik van een vuurhaard met open rookgassysteem (zoals een open haard) en de warmtepomp creëert een gevaarlijke negatieve druk in de ruimte. De negatieve druk kan de terugkeer van uitlaatgassen naar de ruimte veroorzaken. Gebruik de warmtepomp dus nooit samen met een vuurhaard met open rookgassysteem.

Gebruik alleen gesloten haarden (goedgekeurd) met gescheiden verbrandingsluchttoevoer. Sluit de deuren van boiler ruimtes die niet de aanvoer van verbrandingslucht delen met die van de woonruimten.

Zowel aan de luchtaanzuig- als afzuigaansluitingen moet een geschikt beschermingsrooster worden aangebracht om te voorkomen dat er vreemde voorwerpen in de apparatuur terechtkomen.

Zie de beschrijving en afbeeldingen in de "Aëraulische aansluitingen", paragraaf 6.3.

WAARSCHUWINGEN VOOR HYDRAULISCHE AANSLUITINGEN

Het is verplicht om een geschikt toestel tegen overdruk (niet meegeleverd) op de waterinlaatleiding van het toestel te schroeven. In landen die EN 1487 erkennen, moet de waterinlaatleiding van het toestel uitgerust zijn met een veiligheidsapparaat dat voldoet aan de eerder genoemde norm. Het moet nieuw zijn, met 3/4" afmetingen en gekalibreerd tot een maximale druk van 0,7 MPa, inclusief ten minste een kraan, terugslagklep, veiligheidsklep en hydraulische lastuitschakeling.

Er mag niet met dit veiligheidsapparaat worden geknoeid en het moet regelmatig in werking worden gesteld om te controleren of het niet geblokkeerd is en om eventuele kalkaanslag te verwijderen.

Het water kan uit de afvoerleiding van het drukafvoertoestel druppelen en de leiding moet open worden gelaten voor de atmosfeer. Als op het drukafvoertoestel een afvoerleiding is aangesloten, moet zij aflopend in een vorstvrije omgeving worden geïnstalleerd.

Een reduceerventiel (niet meegeleverd) is nodig wanneer de inlaatwaterdruk groter is dan 0,7 MPa (7 bar), die op de hoofdwaterleiding moet worden aangesloten.

De minimale inlaatwaterdruk voor de juiste werking van het toestel is 0,15 MPa (1,5 bar).

Sluit een rubberen buis aan op de condensatafvoer, waarbij u erop moet letten dat u niet te veel kracht zet om de afvoerleiding niet te breken en raadpleeg par. "6.6.1".

Gebruik uitsluitend verbindingbuizen (niet meegeleverd), stijf en bestand tegen elektrolyse, zowel aan de inlaat van koud water als aan de uitlaat van warm water uit het toestel.

Bij modellen met een warmtewisselaar (zonne-energiespiraal) mag het circuitdruk niet hoger zijn dan 1,0 MPa (10 bar) en mag de temperatuur niet hoger zijn dan 80°C.

Zie de beschrijving en afbeeldingen in de paragraaf 6.6 "Hydraulische aansluitingen" en paragraaf 6.7 "Integratie met zonne-energiesysteem".

WAARSCHUWINGEN VOOR ELEKTRISCHE AANSLUITINGEN

Het toestel moet worden geïnstalleerd in overeenstemming met de nationale bedradingsvoorschriften.

De elektrische installatie moet een alpolige stroomonderbreker bevatten met een scheiding van de contacten op alle polen die een volledige uitschakeling in de overspanningscategorie III stroomopwaarts van het toestel kan garanderen, in overeenstemming met de geldende plaatselijke installatieregels.

Het toestel moet worden beveiligd met een adequate differentieelschakelaar (max. 30 mA). Het type differentieelschakelaar moet worden gekozen in functie van het type elektrische toestellen dat door het systeem als geheel wordt gebruikt.

Een aardingsaansluiting is verplicht. De fabrikant van het toestel kan niet aansprakelijk worden gesteld voor schade die wordt veroorzaakt door het niet aarden van het systeem of door abnormaliteiten in de elektrische voeding.

Het is ten strengste verboden het toestel aan te sluiten op het lichtnet door middel van verlengingen of door middel van een stekkerdoos.

Voordat u het deksel verwijdert, moet u ervoor zorgen dat de stroom is uitgeschakeld om letsel of elektrische schokken te voorkomen.

Zie de beschrijving en afbeeldingen in respectievelijk de paragraaf 6.8 "Elektrische aansluitingen" en paragraaf 6.9 "Bedradingsschema".

ONDERHOUD - WAARSCHUWINGEN VOOR HET OPLOSSEN VAN PROBLEMEN

Reparaties, onderhoud, loodgieterswerkzaamheden en elektrische aansluitingen moeten worden uitgevoerd door gekwalificeerde installateurs die uitsluitend gebruik maken van originele reserveonderdelen. Het niet in acht nemen van de bovenstaande instructies kan de veiligheid van het toestel in gevaar brengen en ontheft de fabrikant van elke aansprakelijkheid voor de gevolgen.

Voor het aftappen van het toestel: schakel de voeding en het koude water uit, open de warmwaterkranen en bedien vervolgens de aftapkraan van het veiligheidsapparaat.

De drukveiligheidsklep moet regelmatig worden bediend om kalkaanslag te verwijderen en ervoor te zorgen dat deze niet geblokkeerd raakt.

Het toestel is uitgerust met een netsnoer dat, indien het beschadigd is, door de fabrikant, zijn vertegenwoordiger of gelijkaardig bevoegde personen moet worden vervangen om een gevaarlijke situatie te voorkomen.

Het toestel is voorzien van een minizekering met tijdsvertraging die bij breuk moet worden vervangen door een zekering van het type "T5AL250V" volgens IEC 60127.

Zie de beschrijving en de afbeeldingen in respectievelijk hoofdstuk 9 "PROBLEEMOPLOSSING" en hoofdstuk 10 "ONDERHOUD".

2. INLEIDING




Deze installatie- en onderhoudshandleiding is een integraal onderdeel van de warmtepomp (hierna de apparatuur genoemd). De handleiding moet worden bewaard voor toekomstige raadpleging tot het moment van ontmanteling. Ze is zowel bestemd voor gespecialiseerde installateurs (monteurs - onderhoudstechnici) als voor de eindgebruiker. De handleiding beschrijft de installatieprocedures die in acht moeten worden genomen voor een correcte en veilige werking van de apparatuur en de gebruiks- en onderhoudsmethoden.

In geval van verkoop of overdracht aan een andere gebruiker moet de handleiding bij de unit blijven.

Alvorens de apparatuur te installeren en/of gebruiken dient u de handleiding, en in het bijzonder hoofdstuk 5 over veiligheid, grondig door te nemen.

De handleiding moet bij de unit worden bewaard en altijd beschikbaar zijn voor gekwalificeerd installatie- en onderhoudspersoneel.

De volgende symbolen worden in de handleiding gebruikt om de belangrijkste informatie aan te geven:

	Voorzichtig
	Te volgen procedures
	Informatie/Suggesties

2.1 Producten

Beste klant,

Onze welgemeende dank voor de aankoop van dit product.

Ons bedrijf, dat altijd aandacht heeft voor het milieu, maakt voor zijn producten gebruik van technologieën en materialen met een lage milieu-impact, in overeenstemming met de EU-WEEE-normen (2012/19/EU - RoHS 2011/65/EU).

2.2 Disclaimer

De conformiteit van deze gebruiksaanwijzing met de hardware en de software is zorgvuldig gecontroleerd. Toch kunnen er verschillen zijn; en er wordt geen verantwoordelijkheid genomen voor de volledige conformiteit.

In het belang van technische verbetering behouden wij ons het recht voor om te allen tijde wijzigingen aan te brengen aan de constructie of de technische gegevens. Elke claim op basis van aanwijzingen, cijfers, tekeningen of beschrijvingen is daarom uitgesloten. Ze zijn onderhevig aan mogelijke fouten.

De fabrikant wijst elke aansprakelijkheid af voor schade als gevolg van commandofouten, onjuist of oneigenlijk gebruik, of als gevolg van ongeoorloofde reparaties of wijzigingen.

2.3 Taal

De handleiding is geschreven in het Italiaans (IT), de oorspronkelijke taal van de fabrikant.

Elke vertaling naar andere talen moet worden gebeuren op basis van de oorspronkelijke instructies.

De fabrikant is verantwoordelijk voor de informatie in de originele handleiding; vertalingen naar andere talen kunnen niet volledig worden gecontroleerd, zodat, als een inconsistentie wordt gevonden, de tekst in de oorspronkelijke taal moet worden geraadpleegd of contact opgenomen moet worden met de dienst "Technische Documentatie" van ons kantoor.

2.4 Auteursrecht

Deze gebruiksaanwijzing bevat informatie die wordt beschermd door het auteursrecht. Geen enkel deel van deze gebruiksaanwijzing mag zonder voorafgaande toestemming van de leverancier worden gefotokopieerd, veeelvoudigd, vertaald of op opslagmedia worden vastgelegd. Eventuele overtredingen zijn onderhevig aan schadevergoeding. Alle rechten, inclusief de rechten die voortvloeien uit de afgifte van octrooien of de registratie van gebruiksmoedellen, zijn voorbehouden.

2.5 Beschikbare versies en configuraties

Dit toestel bevat een warmtepompunit van 1,9 kW en kan in verschillende configuraties worden opgesteld, afhankelijk van de mogelijke integratie met extra verwarmingsbronnen (bijv. zonne-energie) of afhankelijk van de capaciteit van de boiler.

Versie	Beschrijving configuratie
EKHHE200CV37 EKHHE260CV37	Luchtwarmtepomp voor de productie van warm tapwater
EKHHE200PCV37 EKHHE260PCV37	Luchtwarmtepomp voor de productie van warm tapwater dat vooraf geregeld is voor het zonne-energiesysteem.

3. HANTERING EN TRANSPORT

De apparatuur wordt geleverd in een kartonnen doos(*).

Ze is met drie schroeven vastgemaakt aan een pallet.

Gebruik voor het lossen een vorkheftruck of een geschikte pallettruck.

De verpakte apparatuur kan horizontaal en terug naar beneden worden geplaatst om het losdraaien van de verankeringschroeven te vergemakkelijken.

Wanneer bij het uitpakken messen of cutters worden gebruikt om de kartonnen verpakking te openen, moet dit uiterst voorzichtig gebeuren om de omsluiting van de apparatuur niet te beschadigen.

Controleer na het verwijderen van de verpakking de integriteit van het apparaat. Gebruik de unit in geval van twijfel niet; neem contact op met bevoegd technisch personeel.

Alvorens de verpakking weg te gooien, dient u ervoor te zorgen dat alle meegeleverde accessoires werden verwijderd in overeenstemming met de geldende regelgeving inzake milieubescherming.

(*) Opmerking: de fabrikant kan ervoor kiezen om het type verpakking te veranderen.

Zolang de apparatuur niet in gebruik wordt genomen, dient u ze te beschermen tegen atmosferische invloeden

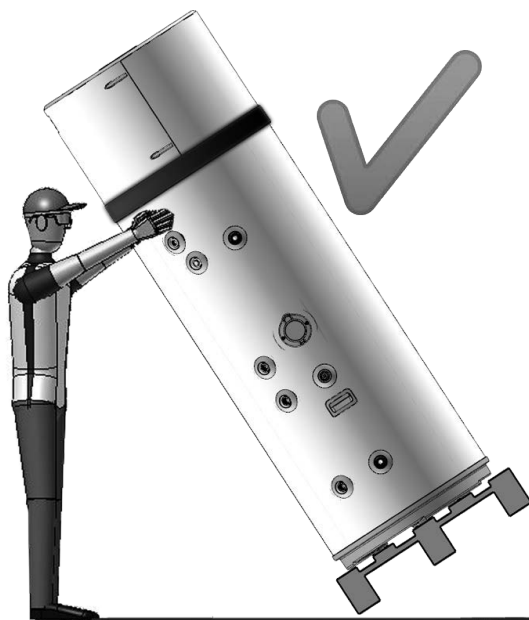
3.1 Ontvangst

Behalve de units bevatten de verpakkingen accessoires en technische documentatie voor gebruik en installatie. Controleer of het volgende aanwezig is:

- 1x installatie-, gebruikers- en onderhoudshandleiding;
- 3x bevestigingsbeugels plus schroeven;
- 1x thermische beveiliging (alleen voor EKHHE200PCV3 en EKHHE260PCV3).

Zolang de apparatuur niet in gebruik wordt genomen, dient u ze te beschermen tegen atmosferische invloeden.

Posities die zijn toegestaan voor transport en hantering:



afb. 1

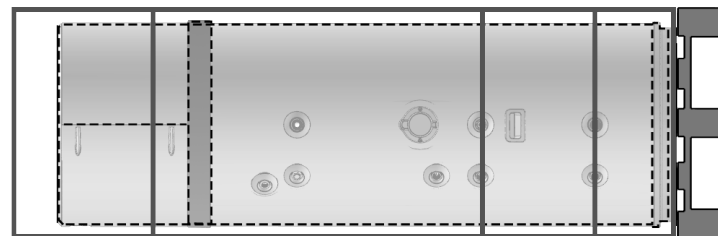


LET OP! Tijdens het hanteren en installeren van het product mag het bovenste deel van de apparatuur op geen enkele manier worden belast, aangezien dit geen structureel onderdeel is.

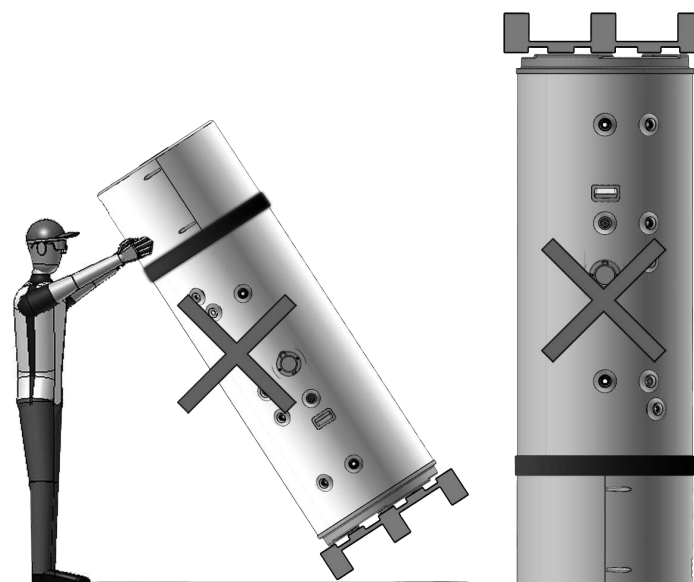
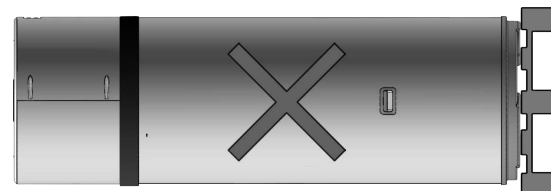
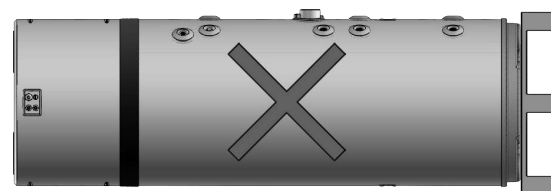
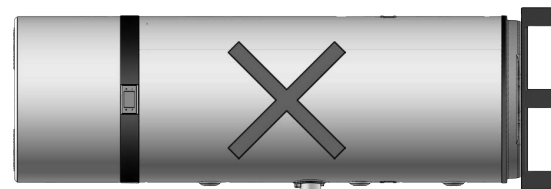


LET OP! Overeenkomstig het bovenstaande (zie "Posities die niet zijn toegestaan voor transport en hantering") mag de apparatuur enkel tijdens de laatste km horizontaal worden getransporteerd. Ondersteun daarbij de onderzijde van de boiler zodat niet tegen de bovenzijde moet worden geleund, die geen structureel onderdeel is. Bij horizontaal transport moet het scherm naar boven gericht zijn.

Positie alleen toegestaan voor de laatste km

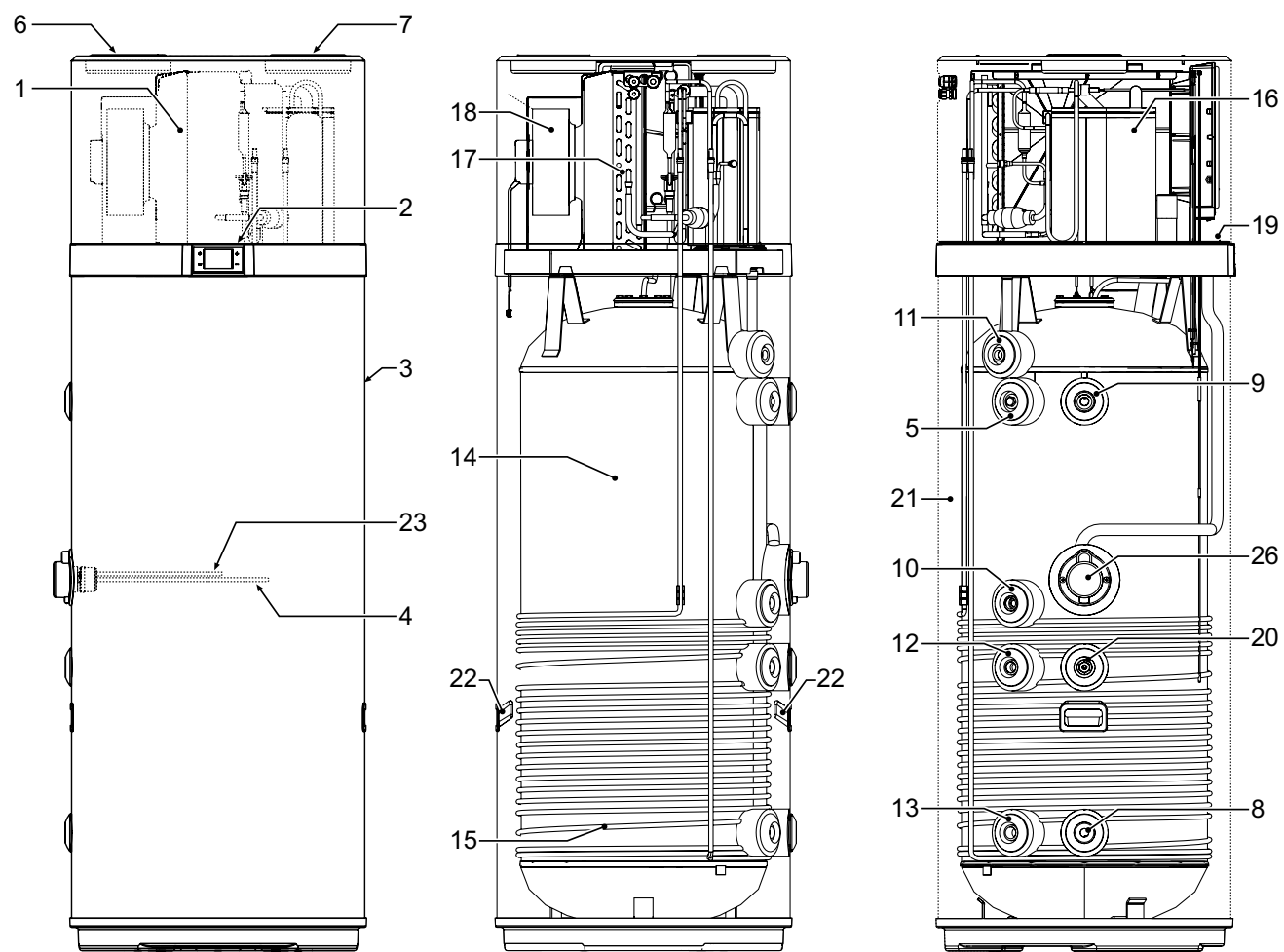


Posities die niet zijn toegestaan voor transport en hantering:

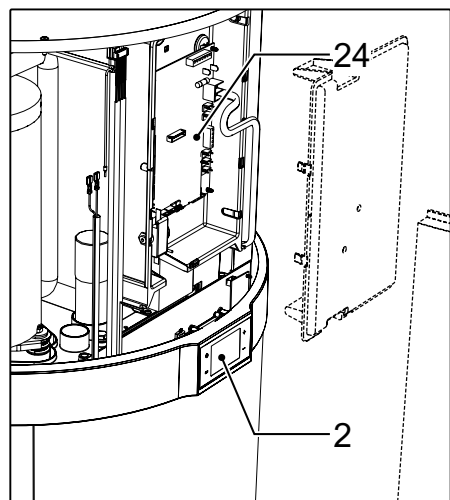


afb. 2

4. BOUWKENMERKEN



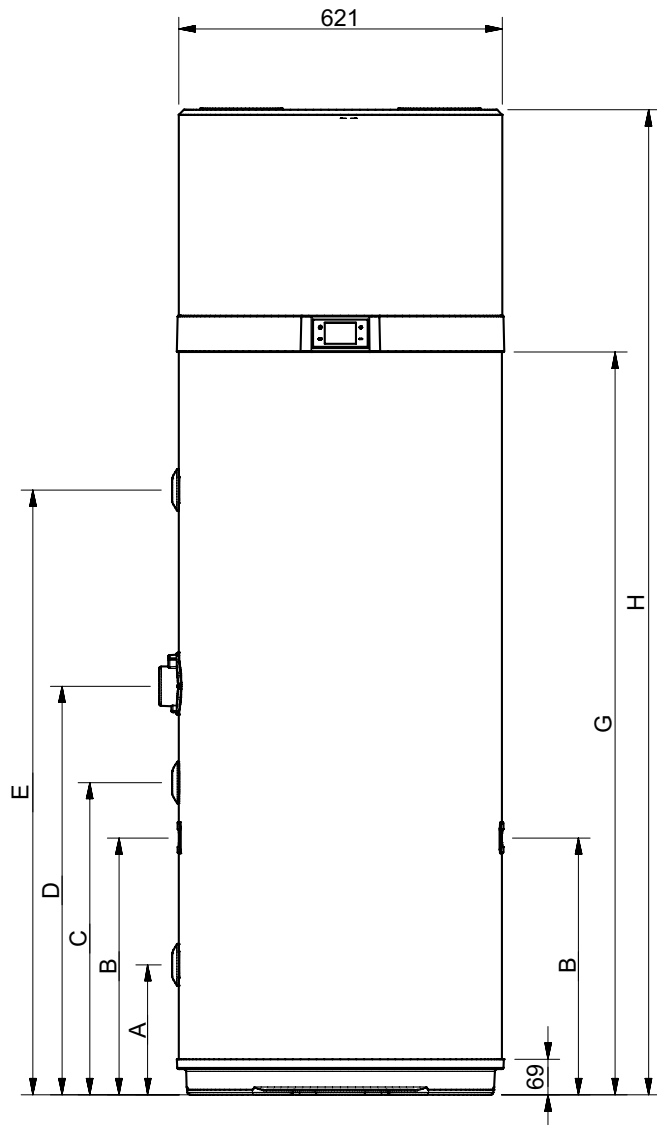
afb. 3



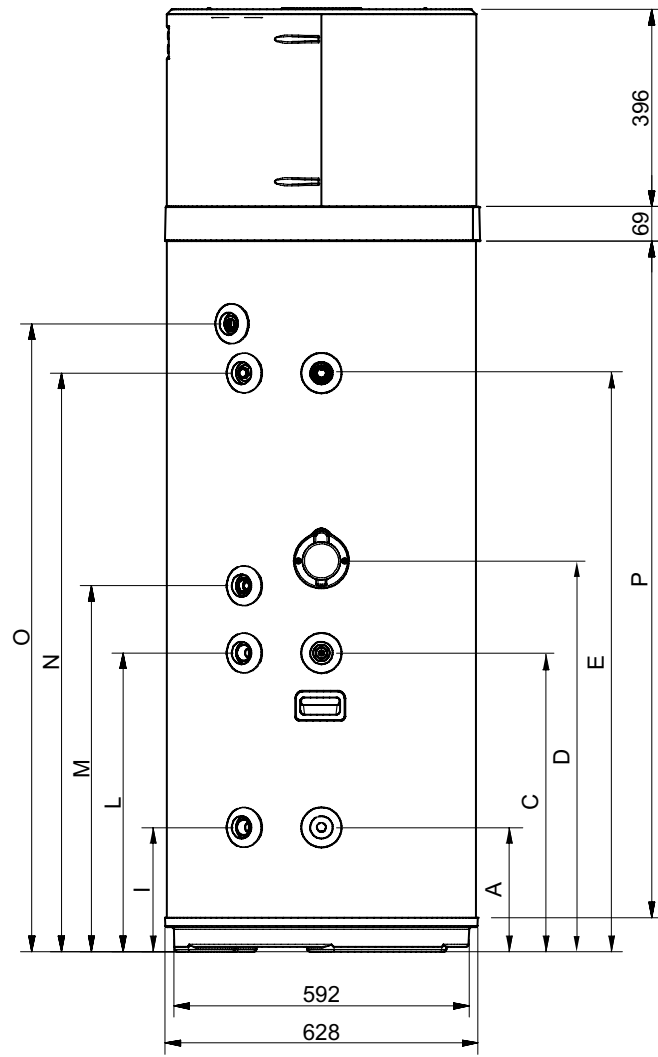
- 1 Warmtepomp
- 2 Gebruikersinterface
- 3 Stalen behuizing
- 4 Verwarmingselement
- 5 Magnesiumanode
- 6 Ventilatieluchtinlaat (Ø 160 mm)
- 7 Ventilatieluchtuitlaat (Ø 160 mm)
- 8 Aansluiting koudwaterinlaat
- 9 Aansluiting warmwateruitlaat

- 10 Voorafgaande regeling voor hercirculatie
- 11 Condensaatafvoer
- 12 Voorafgaande regeling voor inlaat zonne-energiespiraal
*Alleen voor modellen EKHHE200PCV37
EKHHE260PCV37*
- 13 Voorafgaande regeling uitlaat zonne-energiespiraal
*Alleen voor modellen EKHHE200PCV37
EKHHE260PCV37*
- 14 Stalen tank met glazuurcoating volgens DIN 4753-3
- 15 Condensator
- 16 Roterende compressor
- 17 Ribbenverdamer
- 18 Elektronische ventilator
- 19 Boilersensoren
- 20 Sensorhoudervak voor zonne-energie - *Alleen voor modellen
EKHHE200PCV37
EKHHE260PCV37*
- 21 Polyurethaanisolatie
- 22 Draaghandgrepen
- 23 Buis voor veiligheidsthermostaatbol
- 24 Voedingskaart
- 26 Compartment voor toegang tot het verwarmingselement en de veiligheidsthermostaatbol

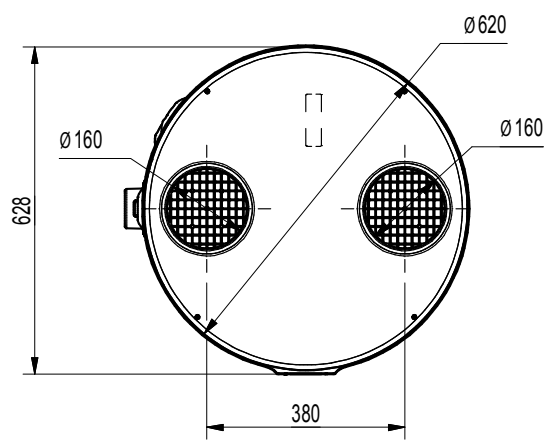
4.1 Afmetingsgegevens



afb. 4



afb. 5



afb. 6

MODEL	Ø	EKHHE200PCV37	EKHHE260PCV37	EKHHE200CV37	EKHHE260CV37	UM
A	1"G	250	250	250	250	mm
B	-	490	493	/	/	mm
C	1/2"G	600	600	600	600	mm
D	-	705	785	705	785	mm
E	1"G	876,5	1162	876,5	1162	mm
G	-	1142	1427	1142	1427	mm
H	-	1607	1892	1607	1892	mm
I	3/4"G	250	250	/	/	mm
L	3/4"G	599	600	/	/	mm
M	3/4"G	705	735	705	735	mm
N	3/4"G	877	1162	877	1162	mm
O*	1/2"G	976	1261	976	1261	mm
P	-	1073	1358	1073	1358	mm

*O - Aansluiting uitlaat in kunststof

4.2 Technische kenmerken

Model	EKHHE200CV37	EKHHE260CV37	EKHHE200PCV37	EKHHE260PCV37	Eenh.								
Algemene gegevens	Toevoerspanning				230 V wisselstr. 50 Hz	-							
	Waterinhoud tank - V _{nom}				192	250	187	247	dm ³				
	Maximum inlaatwaterdruk				0,7	0,7	0,7	0,7	MPa				
	Leeggewicht				85	97	96	106	kg				
	Bedrijfgewicht				277	347	283	353	kg				
	Afmetingen (φxh)				621 x 1607	621 x 1892	621 x 1607	621 x 1892	mm				
	Max. warmwatertemperatuur met warmtepomp				62	62	62	62	°C				
	Max. warmwatertemperatuur met additionele elektrische verwarming				75	75	75	75	°C				
Tank	Materiaal				Geëmailleerd staal		-						
	Kathodische bescherming				Mg-staafanode		-						
	Isolatietype				Polyurethaan		-						
	Dikte van de isolatie				50	50	50	50	mm				
Elektrische gegevens warmtepomp	Gemiddeld opgenomen vermogen tijdens verwarming				430	430	430	430	W				
	Maximum opgenomen vermogen				530	530	530	530	W				
	Maximum toevoerstrom				2,43	2,43	2,43	2,43	A				
Elektrische gegevens elektrische verwarming	Toevoerspanning				230 V wisselstr. 50 Hz		-						
	Opgenomen vermogen				1500	1500	1500	1500	W				
	Toevoerstrom				6,5	6,5	6,5	6,5	A				
Elektrische gegevens warmtepomp + elektrische verwarming	Maximum opgenomen vermogen				1960	1960	1960	1960	W				
	Maximum toevoerstrom				8,5	8,5	8,5	8,5	A				
Lucht circuit	Ventilator type				Centrifugaal		-						
	Luchtdebiet				450	450	450	450	m ³ /h				
	Beschikbare externe statische druk				117	117	117	117	Pa				
	Kanaaldiameter				160	160	160	160	mm				
Koelmiddelcircuit	Compressor				Roterend		-						
	Koelmiddel				R134a		-						
	Koelmiddelvulling				1	1	1	1	kg				
	Verdamper				Koper-aluminium geribde spoel		-						
	Condensor				Aluminium buis gewikkeld rond de tank		-						
Zonne-energiespiraal	Materiaal				-	-	Geëmailleerd staal	Geëmailleerd staal	-				
	Oppervlakte				-	-	0,72	0,72	m ²				
	Max. druk				-	-	1	1	MPa				
Gegevens volgens EN 16147: 2017 norm voor een GEMIDDELD klimaat (unit in stand ECO, Instelpunt warm water = 55°C; inlaatwater = 10°C; Temp. inlaatlucht = 7°C DB / 6°C WB)	Lastprofiel				L	XL	L	XL	-				
	Energie-efficiëntieklasse waterverwarming*				A+	A+	A+	A+	-				
	Energie-efficiëntie waterverwarming - η _{wh}				135	138	135	138	%				
	COP _{wTW}				3,23	3,37	3,23	3,37	-				
	Maximumvolume van gemengd-watervolume op 40°C - V ₄₀				247	340	241	335	dm ³				
	Referentietemperatuur warm-tapwater - θ _{wh}				52,5	53,2	52,5	53,2	°C				
	Nominiaal verwarmingsvermogen - Prated				1,339	1,249	1,339	1,249	kW				
	Opwarmtijd - t _h				06:27	09:29	06:27	09:29	uu:mm				
	* volgens Europese verordening 812/2013				Jaarlijks elektriciteitsverbruik - JEV				761	1210	761	1210	kWu
					Opgenomen vermogen in stand-by (P _{es})				26	28	26	28	W
Gegevens volgens EN 12102-2: 2019 stand ECO met inlaatluchttemp. = 7°C DB / 6°C WB	Geluidsvermogeniveau binnen				53	51	53	51	dB(A)				
	Geluidsvermogeniveau buiten				45	44	45	44	dB(A)				

5. BELANGRIJKE INFORMATIE

5.1 Overeenstemming met Europese regelgevingen

Deze warmtepomp is een product dat bestemd is voor huishoudelijk gebruik conform de volgende Europese richtlijnen:

- Richtlijn 2012/19/EU (AEEA)
- Richtlijn 2011/65/EU betreffende de beperking van het gebruik van bepaalde gevaarlijke stoffen in elektrische en elektronische apparatuur (RoHS)
- Richtlijn 2014/30/EU betreffende elektromagnetische compatibiliteit (EMC)
- Richtlijn 2014/35/EU betreffende laagspanning (LVD)
- Richtlijn 2009/125/EG betreffende milieuvriendelijk ontwerp
- Verordening 2017/1369/EU betreffende energie-etikettering

5.2 Bescherming van de behuizing

De beschermingsklasse van de apparatuur is: **IP24**.

5.3 Werkingslimieten



VERBOD! Dit product is niet ontworpen en is niet bestemd voor gebruik in gevaarlijke omgevingen (door de aanwezigheid van mogelijk ontploffingsgevaar – ATEX of met een vereiste IP-graad die hoger ligt dan die van de unit) of in toepassingen die veiligheidskenmerken vereisen (met foutentolerantie, storingsbeveiliging) zoals systemen en/of technologieën die levensondersteunend zijn of in andere contexten waarin een storing in de apparatuur zou kunnen leiden tot de dood of verwonding van mensen of dieren of tot ernstige schade aan voorwerpen of het milieu.



NB! Indien de mogelijkheid van een productfout of -storing schade kan veroorzaken (aan mensen, dieren en voorwerpen) is het noodzakelijk om te voorzien in een apart functioneel bewakingssysteem dat is uitgerust met alarmfuncties om dergelijke schade uit te sluiten. Het is ook noodzakelijk om de vervanging te voorzien!

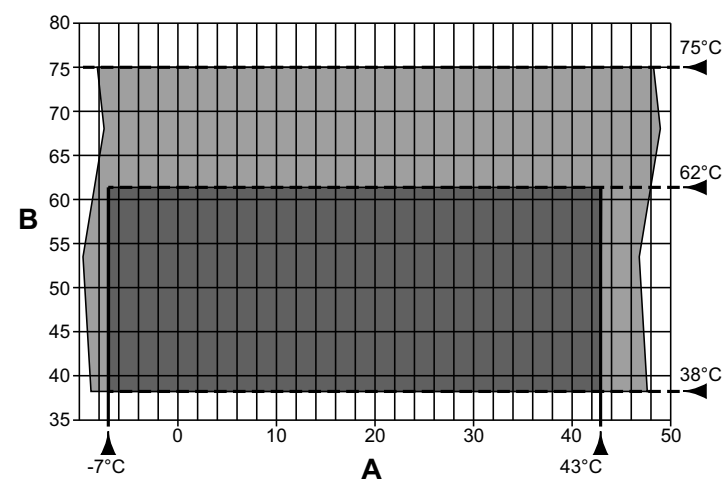


Het toestel is niet ontworpen voor installatie buitenshuis, maar op een "gesloten" plaats die niet blootgesteld is aan de weersomstandigheden.

5.4 Werkingslimieten

Het product in kwestie is uitsluitend ontworpen voor het verwarmen van warm water voor sanitair gebruik binnen de hieronder beschreven limieten. Daarvoor moet het worden aangesloten op de tapwatervoorziening en de voeding (zie hoofdstuk "6. INSTALLATIE EN AANSLUITINGEN").

5.4.1 Temperatuurbereik



afb. 7- Grafiek

A = Inlaatluchttemperatuur (°C)

B = Warmwatertemperatuur (°C)

■ = Werkingsgebied voor warmtepomp (HP)

■ = Integratie met alleen het verwarmingselement

5.4.2 Waterhardheid

De apparatuur mag niet werken met een waterhardheid van minder dan 12°F; als de waterhardheid daarentegen erg hoog is (hoger dan 25°F) is het aan te raden om een waterontharder te gebruiken die correct is geïjkt en wordt gecontroleerd; in een dergelijk geval mag de resulterende hardheid niet lager worden dan 15°F.



NB: Bij het ontwerpen en bouwen van de systemen, moeten de geldende lokale regels en voorschriften in acht worden genomen.

5.5 Fundamentele veiligheidsvoorschriften

- Het product is bestemd voor gebruik door volwassenen;
- Het product mag niet worden geopend of gedemonteerd wanneer het onder stroom staat;
- Raak het product niet aan met natte of vochtige lichaamsdelen of wanneer u op blote voeten loopt;
- Giet of sproei geen water op het product;
- Klim of zit niet op het product en/of plaats er geen enkel voorwerp op.

5.6 Informatie over het gebruikte koelmiddel

Dit product bevat fluorhoudende broeikasgassen die onder het Kyoto-protocol vallen. Laat deze gassen niet vrij in de atmosfeer. Type koelmiddel: HFC-R134a.

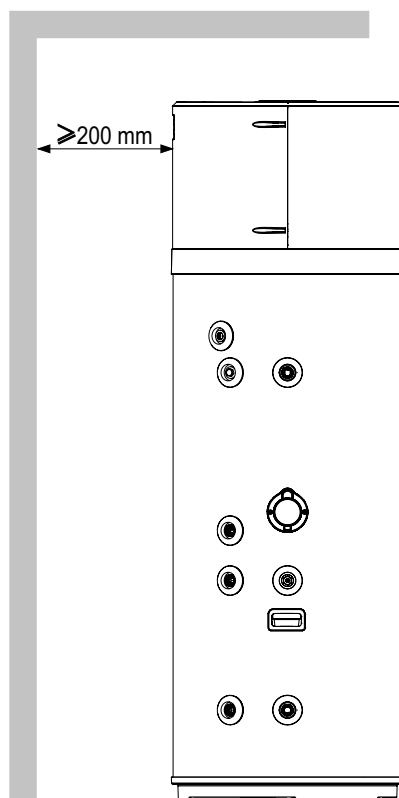


NB: Het onderhoud en de verwijdering mogen uitsluitend worden uitgevoerd door gekwalificeerd personeel.

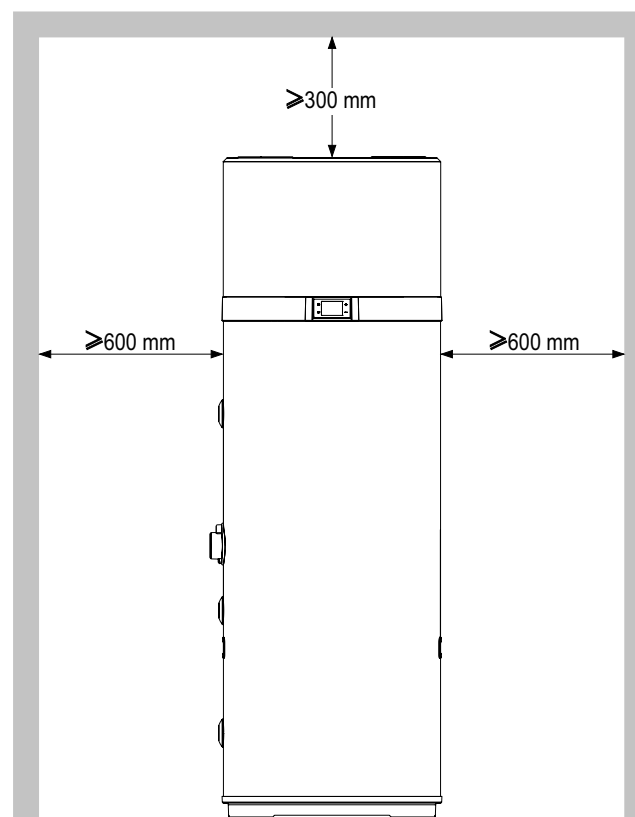
6. INSTALLATIE EN AANSLUITINGEN

6.1 Voorbereiding van de installatieplaats

Het product moet worden geïnstalleerd op een geschikte plaats om een normale afstelling en gebruik te waarborgen en om gewone en buitengewone onderhoudswerkzaamheden mogelijk te maken. De benodigde werkingsruimte moet daarom worden voorbereid op basis van de afmetingen die zijn vermeld in afb. 8 en afb. 9.



afb. 8- Minimale ruimtes



afb. 9- Minimale ruimtes

De ruimte moet ook:

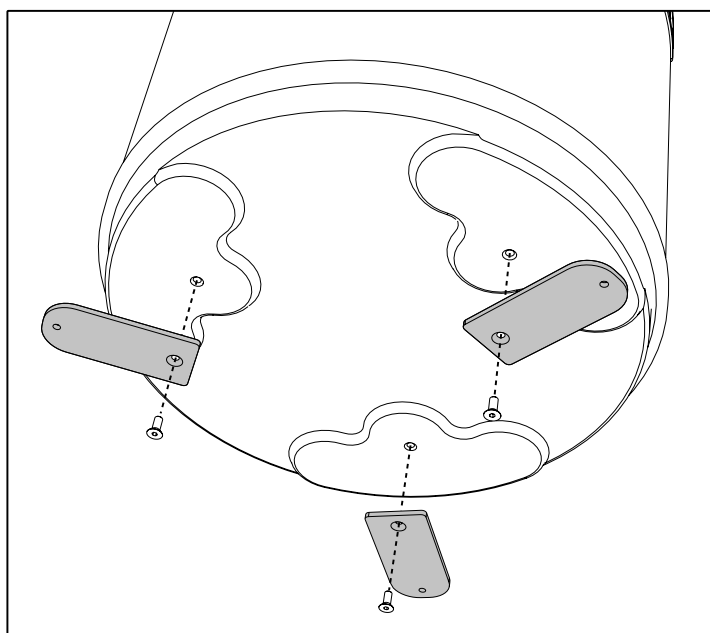
- Beschikken over geschikte leidingen voor de toevoer van water en stroom;
- Voorbereid zijn voor de uitlaataansluiting van condensatiewater;
- Voorzien worden van geschikte waterafvoeren in geval van schade aan de boiler of interventie van de veiligheidsklep of breuk van de leidingen/aansluitingen;
- Over opvangsystemen beschikken voor het geval er zich ernstige waterlekken voordoen;
- Voldoende verlicht zijn (waar nodig);
- Niet minder dan 20 m³ volume hebben;
- Beschermd zijn tegen vorst en droog zijn.



LET OP! Om de voortplanting van mechanische trillingen te voorkomen mag de apparatuur niet worden geïnstalleerd op vloeren met houten balken (bijv. op de zolder).

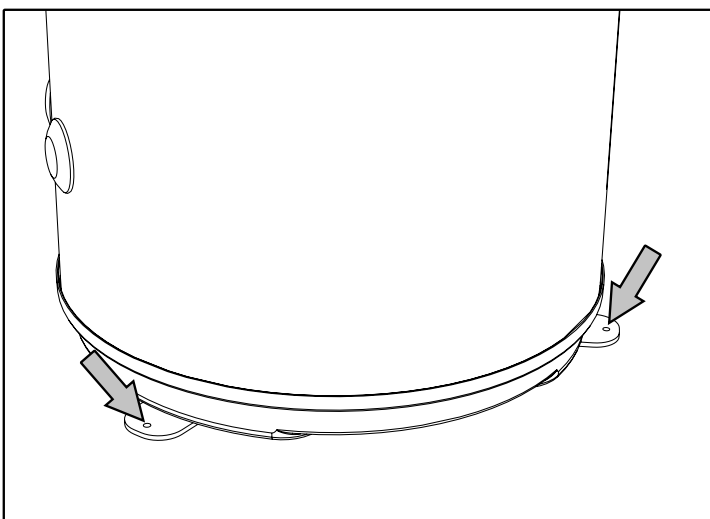
6.2 Bevestigen aan de vloer

Om het product aan de vloer te bevestigen, bevestigt u de meegeleverde beugels zoals aangegeven in afb. 10.



afb. 10- Bevestigingsbeugels

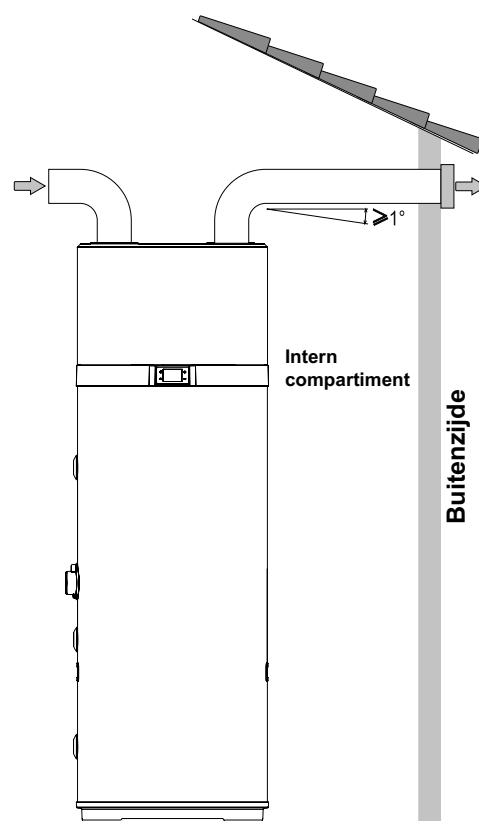
Bevestig de unit vervolgens aan de vloer met behulp van geschikte, niet meegeleverde pluggen, zoals weergegeven in afb. 11.



afb. 11- Bevestigen aan de vloer

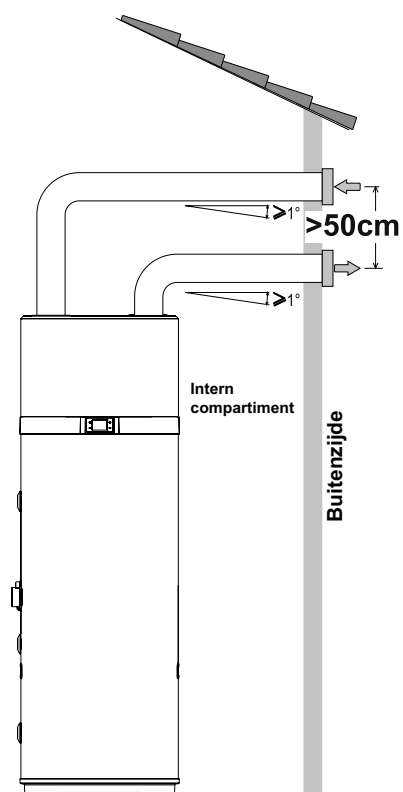
6.3 Aëraulische aansluitingen

Naast de ruimtes zoals beschreven in paragraaf 6.1 vereist de warmtepomp een geschikte luchtventilatie. Er dient daartoe een specifieke luchtleiding te worden voorzien zoals getoond in afb. 12.



afb. 12- Voorbeeld van luchtuitletaansluiting

Het is ook belangrijk om te zorgen voor voldoende ventilatie van de ruimte waarin de unit zich bevindt. Een alternatieve oplossing wordt getoond in de onderstaande figuur (afb. 13). Die oplossing bestaat uit een tweede leiding die lucht van buiten aantrekt in plaats van rechtstreeks uit de ruimte.



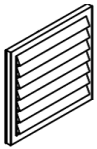


afb. 13- Voorbeeld van luchtuitletaansluiting

Installeer elk luchtkanaal en zorg er daarbij voor dat:

- Het niet op de apparatuur weegt.
- Er onderhoudswerkzaamheden aan kunnen worden uitgevoerd.
- Het op passende wijze wordt beschermd zodat er niet toevallig materiaal in de apparatuur zelf terecht kan komen.
- De aansluiting aan de buitenzijde moet gebeuren met geschikte, niet-ontvlambare leidingen.
- De totale equivalente lengte van de afvoerleidingen plus de aanvoer, inclusief roosters, mag niet meer dan 12 m bedragen.

De tabel bevat de kenmerkende gegevens van commerciële leidingonderdelen met betrekking tot de nominale luchtstromen en diameters van 160 mm.

Gegevens	Gladde rechte leiding	Gladde 90°-bocht	Rooster	UM
Type				
Effectieve lengte	1	1	1	m
Equivalent lengte	1	2	2	m

i Tijdens de werking zal de warmtepomp de kamertemperatuur gewoonlijk verlagen als de luchtleiding niet aan de buitenzijde zit.

i Aan de luchtafvoerleiding aan de buitenzijde moet een geschikt beschermingsrooster worden aangebracht om te voorkomen dat er vreemde voorwerpen in de apparatuur terecht komen. Om maximale prestaties van het product te garanderen, moet een rooster met een laag drukverlies worden gekozen.

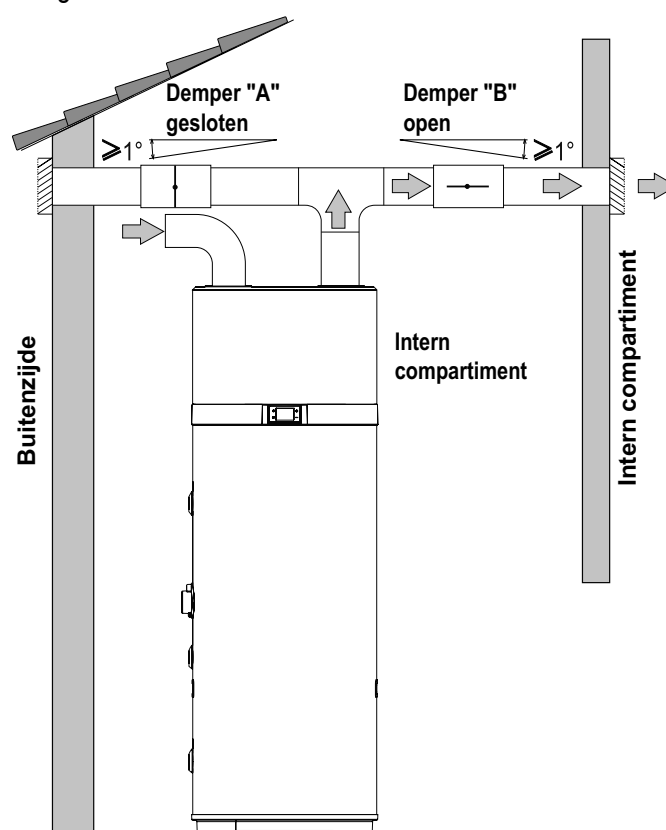
i Om de vorming van condensaat te voorkomen doet u het volgende: isoleer de luchtafvoerleidingen en de aansluitingen van de afdekking van de luchtleiding met een stoomwerende thermische bekleding van gepaste dikte.

i Installeer geluiddempers indien dit nodig wordt geacht om lawaai als gevolg van de stroming te voorkomen. Voorzie de leidingen, de uitlaten in de wand en de aansluitingen op de warmtepomp met systemen die mogelijke trillingen dempen.

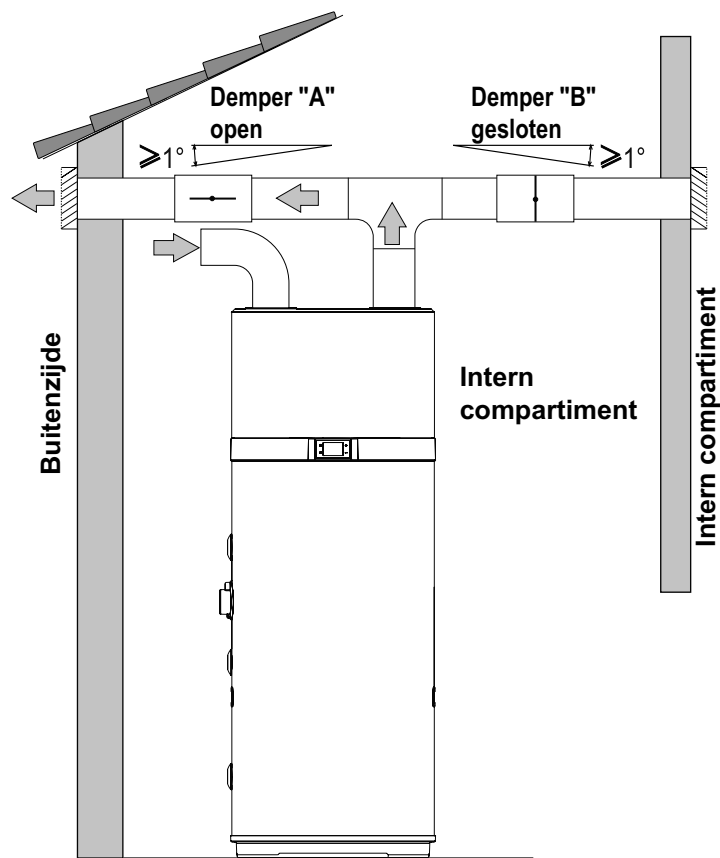
6.3.1 Speciale installatie

Een van de specifieke kenmerken van een verwarmingssysteem met warmtepomp is dat de luchttemperatuur die uit de woning wordt afgevoerd bij deze units gewoonlijk aanzienlijk lager is. Niet alleen is deze afgevoerde lucht kouder dan de omgevingslucht, hij is ook volledig ontvochtigd. Deze lucht kan dan ook terug in de woning worden ingevoerd om specifieke kamers of zones te koelen in de zomermaanden.

Bij de installatie van deze optie wordt de afvoerleiding gesplitst, waarbij er twee dempers worden aangebracht ("A" en "B") zodat de luchtstroom naar buiten (afb. 15) of naar binnen (afb. 14) wordt gevoerd.



afb. 14- Voorbeeld van installatie in de zomerperiode



afb. 15- Voorbeeld van installatie in de winterperiode

6.4 Bevestiging en aansluiting van dit toestel

Het product moet worden geïnstalleerd op een stabiele, vlakke vloer waarop zich geen trillingen kunnen voordoen.

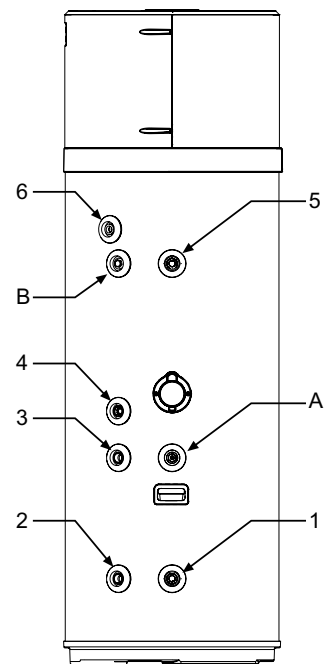
6.5 Hydraulische verbindingen

Sluit de koudwatertoevoerslang en de uitlaatleiding aan op de juiste aansluitpunten (afb. 16).

De onderstaande tabel vermeldt de kenmerken van de aansluitpunten.

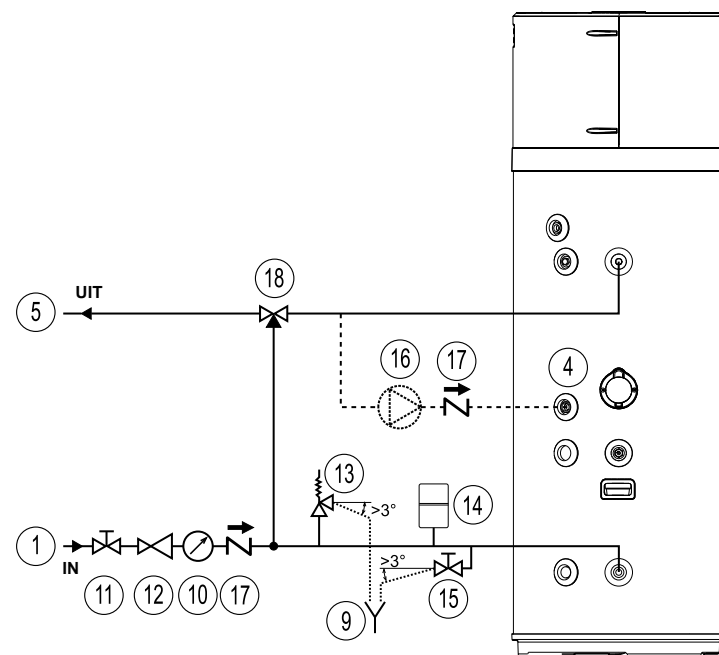
Ref.	Functie	Model 200 l / 260 l
1	Koud-waterinlaat	1"G
2*	Uitlaat zonne-energiespiraal	3/4"G
3*	Inlaat zonne-energiespiraal	3/4"G
4	Recirculatie	3/4"G
5	Warm-wateruitlaat	1"G
6	Condensaatafvoer	1/2"G
A*	Uitsparing voor zonne-energiesensor en thermische beveiligingsbol	1/2"G

*: enkel voor EKHHE200PCV37- en EKHHE260PCV37-modellen.



afb. 16

De volgende figuur (afb. 17) geeft een voorbeeld van een waterleidingaansluiting.



afb. 17- Voorbeeld van een watersysteem

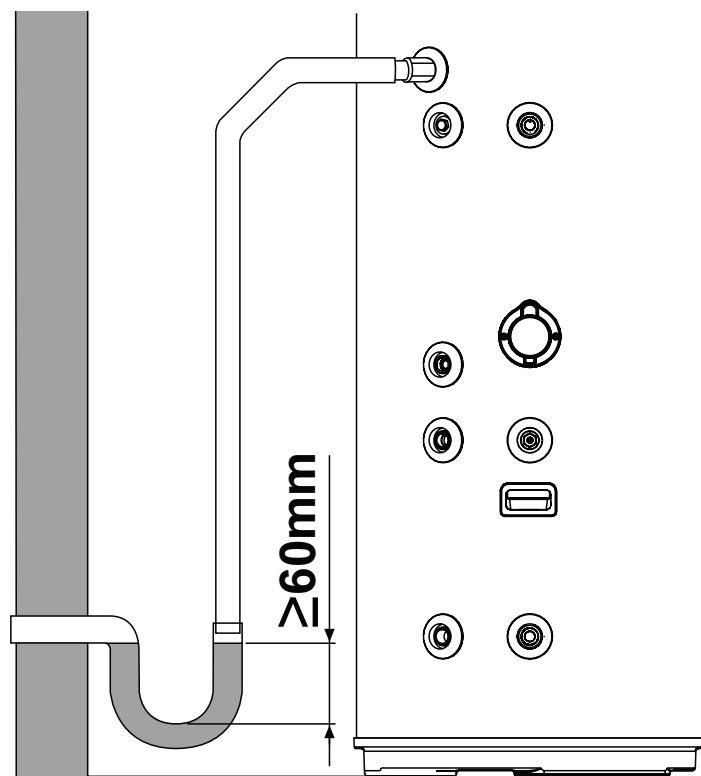
Legende (afb. 17)

- | | | | |
|----|--|----|---|
| 1 | Waterinlaatleiding | 13 | Veiligheidsklep |
| 4 | Recirculatiewaterinlaat | 14 | Expansievat |
| 5 | Leiding warm-wateruitlaat | 15 | Aftapkraan |
| 9 | Inspecteerbaar uiteinde van de afvoerleiding | 16 | Recirculatiepomp |
| 10 | Manometer | 17 | Veerbelaste terugslagklep |
| 11 | Afsluiter | 18 | Automatische thermostatische mengapparatuur |
| 12 | Drukregelaar | | |

6.5.1 Aansluiting condensaatvoer

Condensaat dat tijdens de werking van de warmtepomp wordt gevormd stroomt door een speciale afvoerleiding (1/2" G) die binnen een behuizing loopt en uitmondt aan de zijde van de apparatuur.

Het moet via een opvangbak worden aangesloten op een kanaal zodat het condensaat regelmatig kan wegstromen (afb. 18).

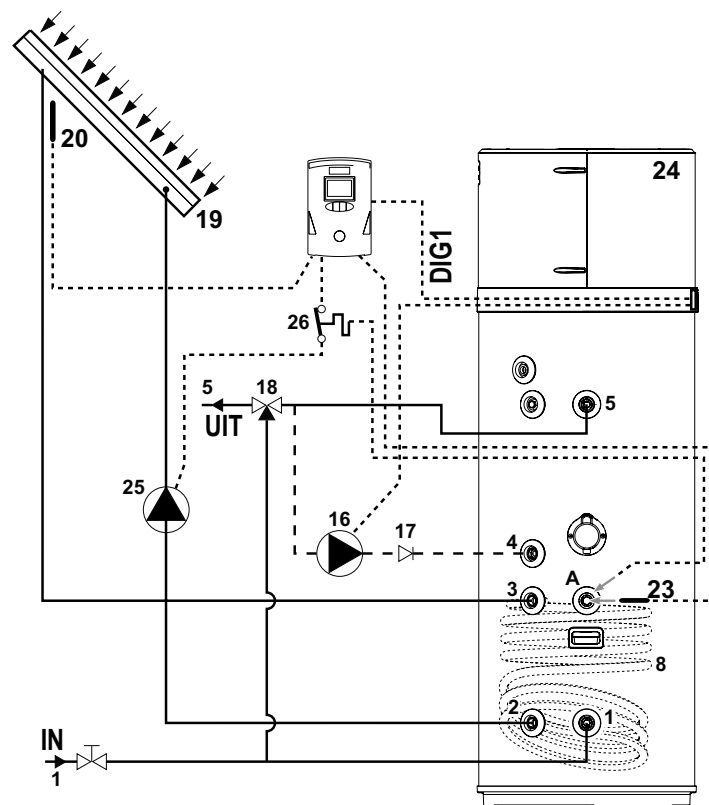


afb. 18- Voorbeelden van aansluiting condensaatvoer via een opvangbak

6.6 Integratie met zonne-energiesysteem (enkel voor EKHHE200PCV37- en EKHHE260PCV37-modellen)

De volgende figuur (afb. 19) laat zien hoe de apparatuur moet worden aangesloten op een zonne-energiesysteem dat wordt aangestuurd door een speciale elektronische controller (niet meegeleverd) met een "spanningsvrij contact"-uitgang die moet worden aangesloten op de DIG.1-ingang van de apparatuur (zie "6.7.1 Verbindingen op afstand").

Om de apparatuur in deze configuratie te kunnen gebruiken, moet de parameter **P16 = 1** worden ingesteld (zie par. 8.1).



afb. 19

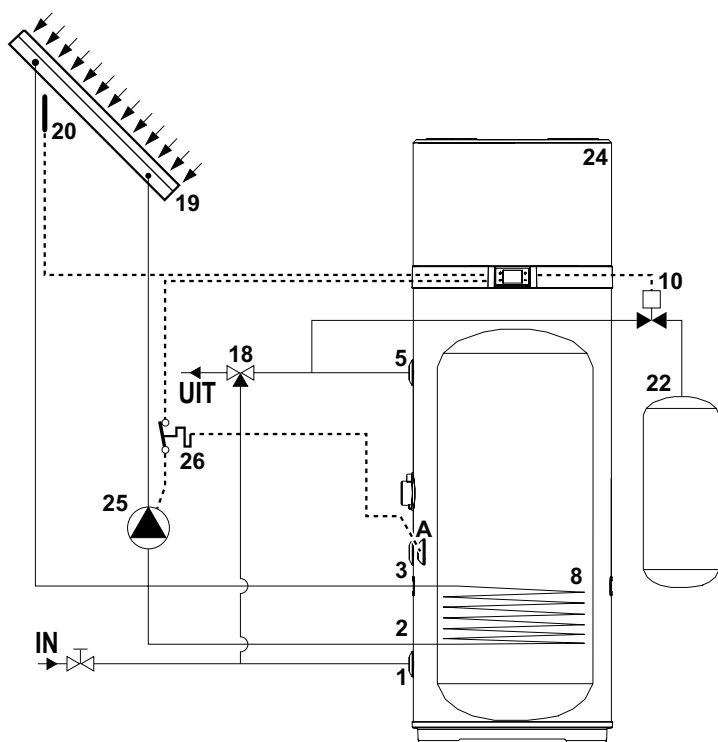
De volgende figuren (afb. 20 en afb. 21) laten zien hoe de apparatuur moet worden aangesloten op een zonne-energiesysteem dat wordt aangestuurd door een speciale elektronische controller.

In de configuratie van afb. 20 wordt bij oververhitting van de zonnecollector een aftapkraan (niet meegeleverd) geactiveerd om in een opslagtank voor warm tapwater (puffer) warm water uit de apparatuur af te voeren.

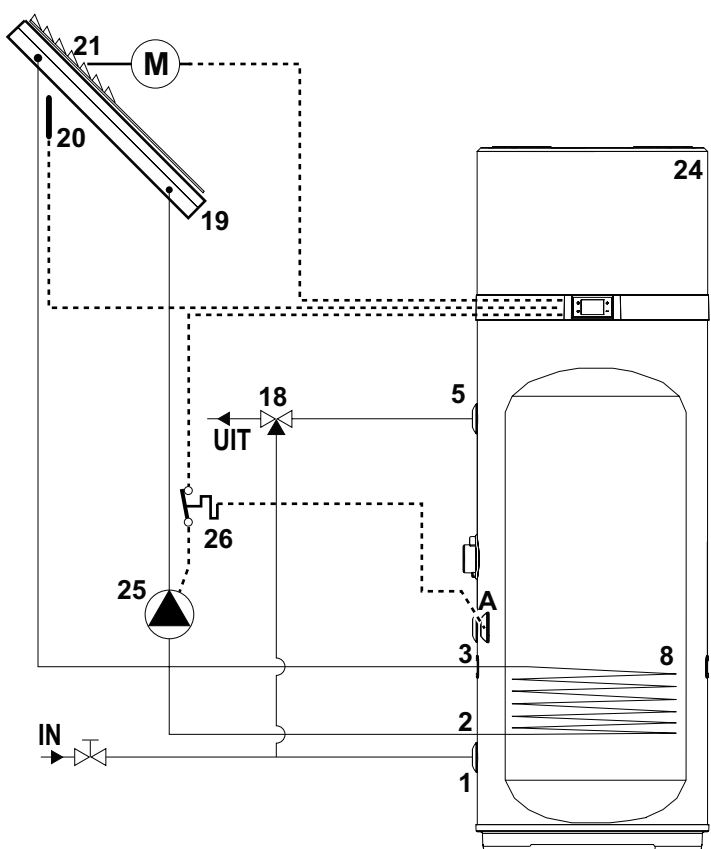
In de configuratie van afb. 21 is de zonnecollectorafsluiter in deze toestand echter gesloten.

In beide gevallen gebeurt dit om de collector te laten afkoelen.

Om de apparatuur in beide configuraties te kunnen gebruiken, moet de parameter **P12 = 2** en **P16 = 2** worden ingesteld (zie par.8.1).



afb. 20



afb. 21

Legende (afb. 19, afb. 20 en afb. 21)

- | | |
|--|---|
| 1 Koud-waterinlaat | 20 Zonnecollectorsensor (PT1000 niet meegeleverd*) |
| 2 Uitlaat zonne-energiespiraal | 21 Zonnecollectorafsluiter |
| 3 Inlaat zonne-energiespiraal | 22 Warm tapwaterbuffer |
| 4 Recirculatie | 23 Zonnecollectorsensor (niet meegeleverd) |
| 5 Warm-wateruitlaat | 24 Warmtepomp |
| 8 Spiraal zonne-energiesysteem | 25 Zonnepomp (AAN/UIT-type) |
| 10 Aftapkraan | 26 Thermische beveiliging (meegeleverd) voor zonnepomp |
| 16 Recirculatiepomp (AAN/UIT-type) | A Uitsparing voor zonne-energiesensor en thermische beveiliging |
| 17 Terugslagklep | |
| 18 Automatische thermostatische mengapparatuur | |
| 19 Zonnecollector | |

* Wij adviseren om de zonnecollectorsensor PT1000 te gebruiken (beschikbaar op de lijst met accessoires van de fabrikant)

6.7 Elektrische aansluitingen

Voordat het toestel op de netvoeding wordt aangesloten, moet het elektrische systeem worden gecontroleerd om na te gaan of het voldoet aan de geldende voorschriften en of het bestand is tegen het maximale stroomverbruik van de boiler (zie paragraaf 4.2 voor technische kenmerken), wat betreft de grootte van de kabels en hun conformiteit met de geldende voorschriften.

Het toestel wordt geleverd met een voedingskabel met een Schuko-stekker (afb. 23) en voor de aansluiting op de netvoeding is het volgende nodig:

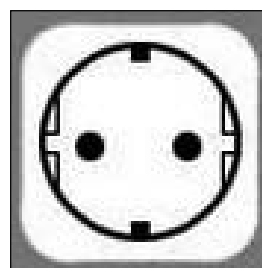
- een Schuko-stopcontact met aarding en aparte beveiliging (afb. 22);
- een meerpolige 16 A stroomonderbreker met een contactopening van minstens 3 mm;
- een 30 mA differentieelschakelaar.

Het is verboden om stekkerdozen, verlengkabels of adapters te gebruiken.

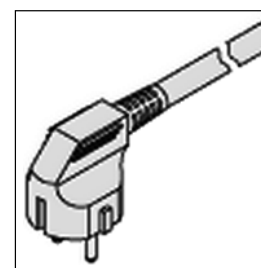
Het is verboden om leidingen van de water-, verwarmings- en gassystemen te gebruiken voor de aarding van het toestel.

Controleer vóór het gebruik van de machine of de netspanning overeenkomt met de waarde die op het typeplaatje van het toestel is aangegeven.

De fabrikant van het toestel kan niet aansprakelijk worden gesteld voor schade die wordt veroorzaakt door het niet aarden van het systeem of door abnormaliteiten in de elektrische voeding.



afb. 22 - Schuko stopcontact



afb. 23 - Unitstekker

6.7.1 Verbindingen op afstand

De apparatuur is zodanig ontworpen dat ze kan worden verbonden met andere energiesystemen of energiemeters op afstand (fotovoltaïsche en zonne-energiesystemen, nachttarief)

Ingangen

- Digitaal 1 (**DIG1**). Digitale ingang voor zonne-energie (*alleen voor modellen PCV3*). In het geval van een zonne-energiesysteem met een speciale regeleenheid kan deze laatste worden aangesloten op de apparatuur om de warmtepomp te deactiveren wanneer er zonne-energie wordt geproduceerd. Met een spanningsvrij contact dat sluit wanneer het zonne-energiesysteem actief is, kan het worden aangesloten op de twee **witte** en **bruine** draden van de kabel met 6 kernen die bij de apparatuur is geleverd.

Stel de parameter **P16 = 1** in om de aanvulling met zonne-energie te activeren.

- Digitaal 2 (**DIG2**). Digitale fotovoltaïsche ingang. In het geval van een op de installatie aangesloten fotovoltaïsche installatie kan deze worden gebruikt om in tijden van overproductie energie af te nemen in de vorm van warm water. Als er een spanningsvrij contact is, bijv. van de inverter, dat sluit bij overproductie van energie, kan het worden aangesloten op de twee **groene** en **gele** draden van de kabel met 6 kernen die met de apparatuur is meegeleverd.

Stel de parameter **P23 = 1** in om de aanvulling met fotovoltaïsche energie te activeren.

- Digitaal 3 (**DIG3**). Ingang voor nachttarief. Deze functie, die alleen in sommige landen beschikbaar is, maakt het mogelijk de apparatuur alleen te activeren wanneer er een signaal van buitenaf komt met een voorkeurtarief. Als de elektrische schakelaar een spanningsvrij contact heeft dat sluit wanneer het voorkeurtarief beschikbaar is, kan het worden aangesloten op de twee **grijze** en **roze** draden van de kabel met 6 kernen die bij de apparatuur is geleverd.

Stel de parameter **P24 = 1** in om nachttarief in de ECO-modus te activeren of **P24 = 2** voor nachttarief in de AUTO-modus.

- Digitale ingang (**LPSW**) voor de debietschakelaar van de circulatiepomp zonne-energie/warm tapwater (niet meegeleverd)
- Analoge ingang (**PT1000**) voor zonnecollectorsensor.

UITGANGEN

230 VAC - 16 A relaisuitgang met N.O.-contact voor recirculatiepomp zonne-energie/warm tapwater (AAN/UIT-type).

230 VAC - 5 A relaisuitgang met N.O.-contact voor zonnecollectorafsluiter/aftapkraan.

Alleen voor modellen PCV3

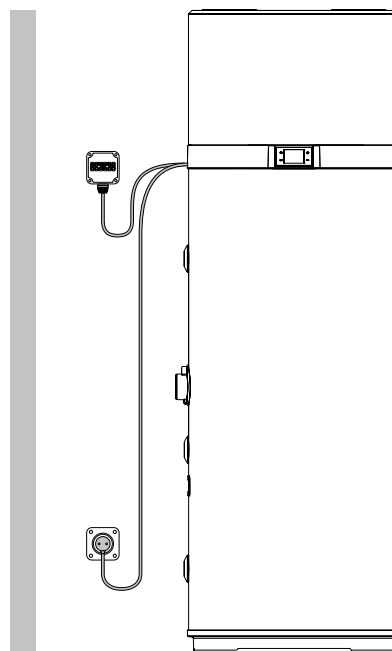


Opmerking: Voor meer informatie over verbindingen op afstand en de configuratie van de apparatuur met deze systemen, zie de par. "7.5 Bedrijfsmodus" en "8.1.1 Lijst van parameters van de apparatuur".

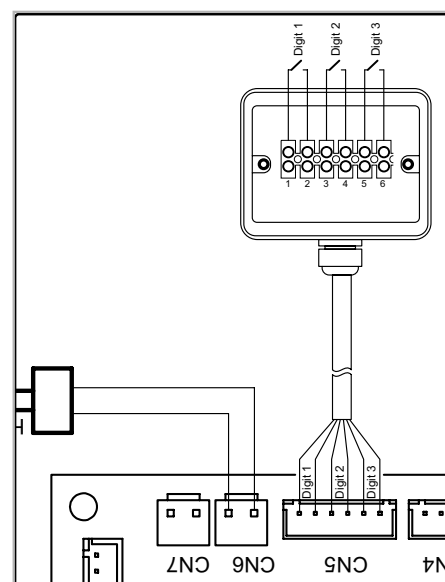
6.7.1.1 Verbinding op afstand

Voor de aansluiting op de digitale ingangen wordt het apparaat geleverd met een extra kabel met 6 kernen die al is aangesloten op de PCBA van de gebruikersinterface (die zich in het toestel bevindt). De verbindingen met energiesystemen op afstand zijn de verantwoordelijkheid van de gekwalificeerd installateur (aansluitdozen, klemmen en verbindingskabels).

De volgende figuren geven een voorbeeld van een verbinding op afstand (afb. 24 en afb. 25) die niet langer dan **3 m** mag zijn.



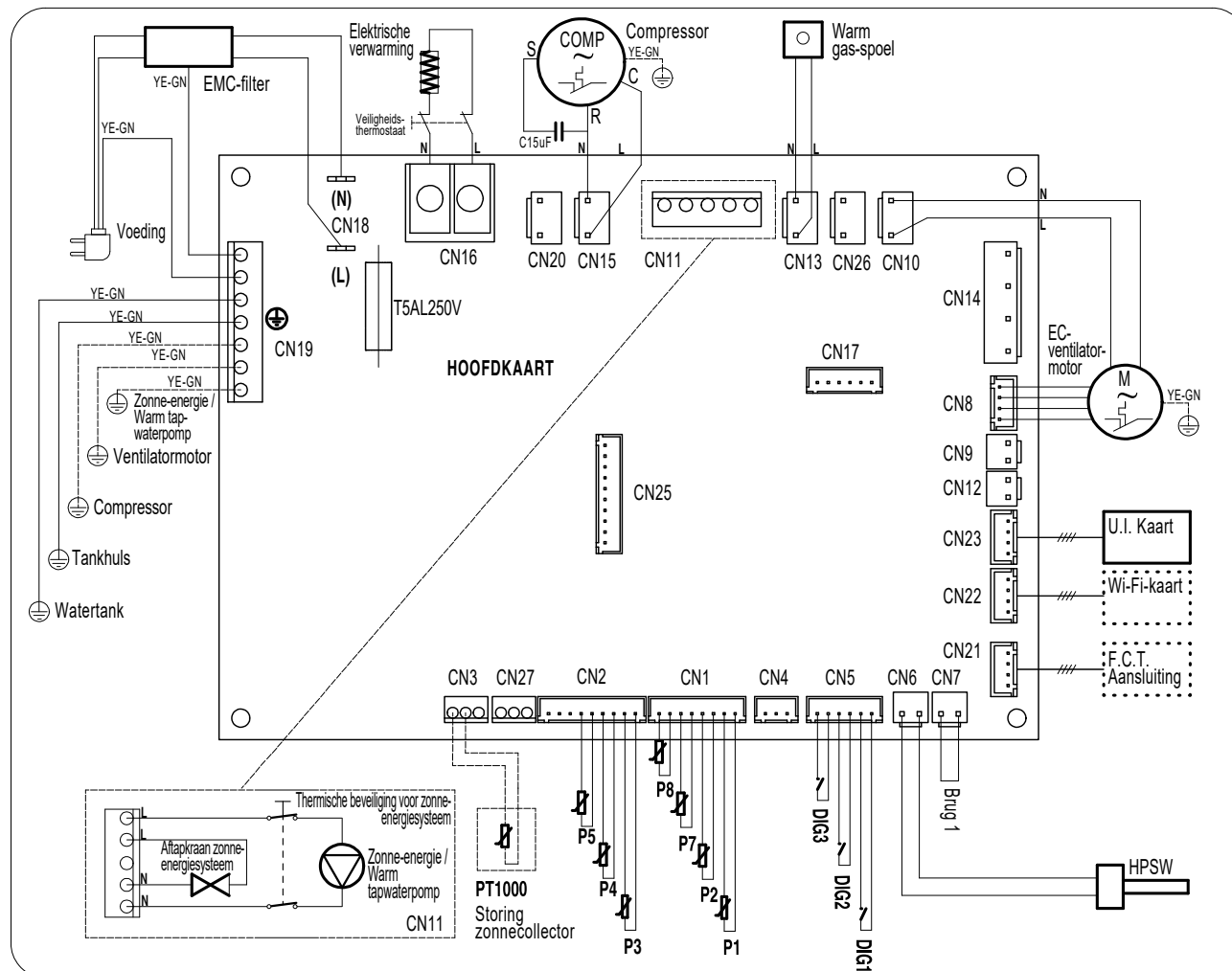
afb. 24- Voorbeeld van een verbinding op afstand



afb. 25

Om toegang te krijgen tot de kabel met 6 kernen voor verbinding op afstand, verwijdert u het deksel bovenaan de boiler en leidt u de kabel, die al in de unit aanwezig is, naar buiten via de speciale kabelmof die in het achterpaneel is geïnstalleerd.

6.8 Bedradingschema



afb. 26- Bedradingschema van de apparatuur

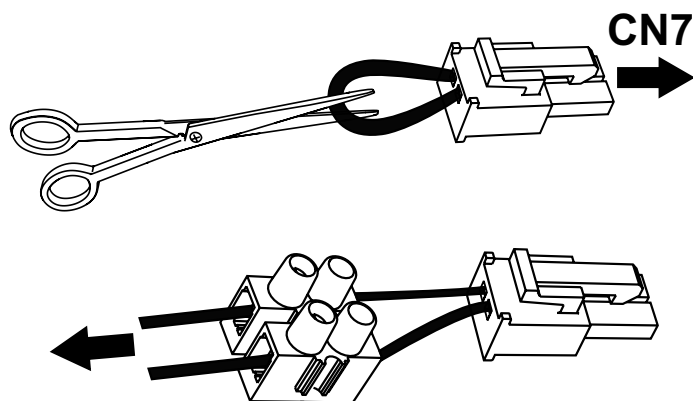
Beschrijving van de beschikbare aansluitingen op de voedingskaart

CN1	Lucht-, ontdooiing- en water NTC-sensoren	CN13	Voeding van de klep voor ontdooiing met warm gas
CN2	Niet bruikbaar	CN14	Niet bruikbaar
CN3	Sensor voor zonne-energiebeheer - <i>Alleen voor modellen PCV3</i>	CN15	Voeding van de compressor
CN4	Niet bruikbaar	CN16	Voeding verwarmingselement
CN5	Digitale ingangen zonne-energie, fotovoltaïsch, nachttarief	CN17	Niet bruikbaar
CN6	Hogedrukschakelaar	CN18	Hoofdvoeding 230 V - 1 PH - 50 Hz
CN7	Debietschakelaar voor circulatiepomp zonne-energie/warm tapwater (niet meegeleverd)	CN19	Aardaansluitingen
CN8	Elektronische ventilator PWM-regeling (EC)	CN20	230 VAC voeding voor de anodeomvormer met opgelegde stroom
CN9+CN12	Niet bruikbaar	CN21	Aansluiting met end-of-line inspectie/test
CN10	Ventilatorvoeding EC, AC	CN22	Wi-Fi-kaartaansluiting (niet meegeleverd)
CN11	Circulatiepomp zonne-energie/warm tapwater (AAN/UIT-type), aftapkraan of zonnecollector-afsluiter - <i>Alleen voor de modellen PCV3</i>	CN23	Aansluiting gebruikersinterface
		CN25	Niet bruikbaar

Ga als volgt te werk om een veiligheidsdebietschakelaar voor het zonne-energiesysteem/recirculatiecircuit voor warm water op de apparatuur aan te sluiten (uitsluitend voorbehouden aan gekwalificeerd technisch personeel):

- Schakel de voeding naar de apparatuur uit.
- Verwijder het bovenste deksel van de apparatuur en vervolgens het deksel van de voedingskaart.
- Maak de "doorverbinding" (brug 1) los van connector CN7 van de voedingskaart, snij vervolgens de geleider die de brug vormt in het midden door en sluit een geschikte klem aan.
- Sluit vervolgens een normaal gesloten (N.C.) debietschakelaar aan en sluit alles aan op CN7.
- Monteer alle afdekkingen opnieuw en controleer of de apparatuur correct is geïnstalleerd voordat u deze aanzet.

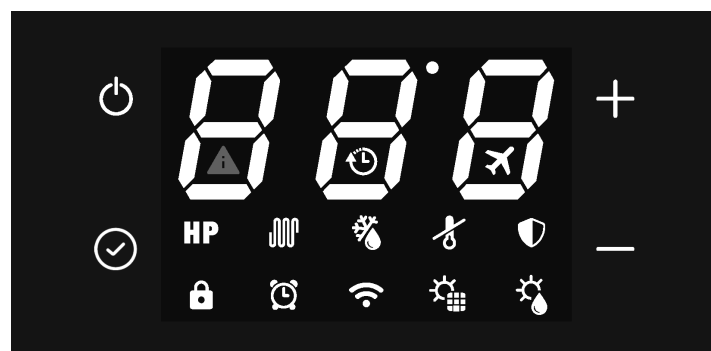
Als in plaats daarvan een normaal geopende (N.O.) debietschakelaar wordt gebruikt, moet de parameter **P15 = 1** worden ingesteld (zie par.8.1).



Om de thermische beveiliging (meegeleverd) voor de circulatiepomp zonne-energie aan te sluiten, gaat u als volgt te werk (uitsluitend voorbehouden aan gekwalificeerd technisch personeel):

- Schakel de voeding naar het toestel uit;
- Plaats de bol volledig in de speciale tankuitsparing ("A") en sluit de kabelmof;
- Wikkel de capillaire buis voldoende af om de thermische beveiliging in een geschikte, aan de wand bevestigde, behuizing te plaatsen;
- Sluit de thermische beveiliging in serie aan op de voedingsaansluitingen van de zonnecirculatiepomp (L) en de nulleider (N) voor een onderbreking van alle polen.
- Controleer alle aansluitingen voordat u het toestel onder stroom zet.

7. BESCHRIJVING VAN DE GEBRUIKERSINTERFACE EN DE WERKING VAN DE APPARATUUR



afb. 27

Beschrijving	Symbol
"Aan/uit"-knop voor het inschakelen en in stand-by zetten van het product, het ontgrendelen van de knoppen en het opslaan van wijzigingen	
Toets "Instellen" om de parameterwaarde te bewerken, bevestigen;	
Toets "Verhogen" om de instelpuntwaarde, de parameter of het wachtwoord te verhogen	
Toets "Verlagen" om de instelpuntwaarde, de parameter of het wachtwoord te verlagen	
Bediening van de warmtepomp (ECO-modus)	HP
Bediening van het verwarmingselement (ELEKTRISCHE modus)	
AUTOMATISCHE modus	HP +
BOOSTmodus (symbolen knipperen)	HP +
Toetsvergrendeling actief	
Ontdooien	
Vorstbeveiliging	
Anti-legionellacyclus	
Vakantiestand;	
Bediening met tijdsintervallen	
Klokinstelling (symbool knippert)	
Verbonden met Wi-Fi (Niet beschikbaar voor deze modellen)	
Fotovoltaïsche modus (bij knipperend symbool is de aanvulling niet actief)	
Zonne-energiemodus (bij knipperend symbool is de aanvulling niet actief)	
Fout of beveiliging actief	
Nachttarifemodus (met knipperend symbool blijft de apparatuur in stand-by)	

De gebruikersinterface van dit model boiler bestaat uit vier capacatieve toetsen en een LED-display.

Zodra de boiler wordt aangezet, zijn de vier toetsen verlicht en gaan alle pictogrammen en displaysegmenten tegelijk branden gedurende 3 seconden.

Tijdens de normale werking van het product geven de drie cijfers op het display de watertemperatuur in °C aan, gemeten met de bovenste watersensor als parameter P11 is ingesteld op 1 of met de onderste watersensor als P11 = 0.

Tijdens het wijzigen van het gekozen instelpunt van de bedrijfsmodus, wordt de gewenste temperatuur op het display weergegeven.

De pictogrammen geven de geselecteerde bedrijfsmodus aan, de aanwezigheid van eventuele alarmen, de status van de Wi-Fi-verbinding en andere informatie over de status van het product.

7.1 In- en uitschakelen van de boiler en ontgrendelen van de toetsen

Als de boiler op de juiste manier wordt gevoed, kan deze "AAN" zijn en dus in een van de beschikbare bedrijfsmodi (ECO, Automatisch, enz.) of in de stand-bystand staan.

Tijdens de standby-modus zijn de vier capacatieve toetsen verlicht voor een gemakkelijke zichtbaarheid, is het Wi-Fi-pictogram verlicht volgens de verbindingstatus met een externe Wi-Fi-router (niet meegeleverd) en, bij afwezigheid van alarmen of met de vorstbeveiliging actief, zijn alle andere pictogrammen en de segmenten van de drie cijfers uitgeschakeld.

Inschakelen

Met de boiler in de stand-bystand en de "toetsvergrendeling"-functie actief (hangslotpictogram linksonder verlicht), moeten de toetsen eerst worden "ontgrendeld" door de AAN/UIT-toets gedurende minstens 3 seconden in te drukken (het hangslotpictogram gaat uit), en vervolgens de AAN/UIT-toets opnieuw gedurende 3 seconden in te drukken om de boiler in te schakelen.



Uitschakelen

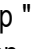
Met de boiler ingeschakeld en de "toetsvergrendeling"-functie actief, moeten de toetsen eerst worden "ontgrendeld" door de AAN/UIT-toets minstens 3 seconden in te drukken, en vervolgens de AAN/UIT-toets opnieuw 3 seconden in te drukken om de boiler uit te schakelen (in de stand-bystand zetten).


De toetsvergrendeling wordt 60 seconden na de laatste druk op een van de vier toetsen van de gebruikersinterface in elke status automatisch geactiveerd om mogelijke interacties met de boiler te voorkomen, bijv. door kinderen, enz. Tegelijkertijd wordt de achtergrondverlichting van de toetsen en het display gedimd om het energieverbruik van de unit te verminderen.

Door op een van de vier toetsen te drukken, keert de achtergrondverlichting van de toetsen en het display onmiddellijk terug naar het normale niveau voor een betere zichtbaarheid.

7.2 Klok instellen

Met de toetsen ontgrendeld, drukt u op de toets  gedurende 3 seconden om toegang te krijgen tot de klokinstellingen (het symbool  knippert).

Stel de tijd in met de "+" en "-" toetsen, druk op "" om te bevestigen en vervolgens de minuten in te stellen.



Druk op toets  om te bevestigen en af te sluiten.

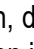
7.3 Tijdsintervallen instellen

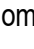
De klok van het toestel moet worden ingesteld voordat de tijdsintervallen worden geactiveerd.

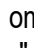
Selecteer de gewenste bedrijfsmodus en stel vervolgens de tijdsintervallen in.


De tijdsintervallen kunnen alleen worden geactiveerd in de modi ECO -AUTOMATISCH - BOOST - ELEKTRISCH en VENTILATIE.

Met de toetsen ontgrendeld drukt u de toetsen  en "-" gedurende 3 seconden gelijktijdig in om de tijdsintervallen in te stellen (het symbool  wordt weergegeven).

Stel de inschakeltijd in met de "+" en "-" toetsen, druk op "" om te bevestigen en vervolgens de Aan-minuten in te stellen.




Druk op  om te bevestigen en naar de uitschakeltijdinstelling te gaan.

Druk op  om te bevestigen en selecteer vervolgens met de toetsen "+" en "-" de gewenste bedrijfsmodus voor het tijdsinterval (ECO, AUTOMATISCH, BOOST, ELEKTRISCH, VENTILATIE).

Druk op  om te bevestigen en af te sluiten.


Opmerking: Aan het einde van het tijdsinterval gaat het toestel over in stand-by en blijft daarin tot de herhaling van het tijdsinterval de volgende dag

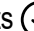

Om de tijdsintervallen uit te schakelen:

- zet de aan- en uittijden op middernacht (00:00);
- druk op  om te bevestigen;
- druk 3 seconden gelijktijdig op toets  en op toets "-" (het symbool  gaat uit).

7.4 Instellen van het instelpunt warm water

Het is mogelijk om het instelpunt warm water aan te passen in de modi ECO, AUTOMATISCH, BOOST en ELECTRISCH

Selecteer de gewenste modus met de toets  en stel pas vervolgens het instelpunt aan met de toetsen "+" en "-".

Druk op toets  om te bevestigen en  om af te sluiten.


Stand	Instelpunt warm water	
	Bereik	Standaard
ECO	43÷62°C	55°C
AUTOMATISCH	43÷62°C	55°C
BOOST	43÷75°C*	55°C
ELEKTRISCH	43÷75°C	55°C

* In de BOOST-modus is het maximale instelpunt voor de warmtepomp 62°C. Door een hogere waarde in te stellen, wordt deze dus alleen voor het verwarmingselement in aanmerking genomen.

7.5 BEDRIJFSMODUS

De volgende standen zijn beschikbaar voor deze boiler:

- ECO;
- BOOST;
- ELEKTRISCH;
- VENTILATIE;
- VAKANTIE;
- AUTOMATISCH.

Het toestel is ingesteld op de ECO-stand; druk op deze toets  om de gewenste stand te selecteren.

Voor de standen ECO, BOOST en AUTOMATISCH is het mogelijk, door tegelijkertijd gedurende 3 seconden op de toetsen "+" en "-" te drukken, de "stille modus" te activeren (bijvoorbeeld 's nachts) die het geluid van het toestel vermindert; in deze stand zou het kunnen dat het water minder vlug opwarmt. Om deze stand uit te schakelen, druk nogmaals 3 seconden op toetsen "+" en "-".

7.5.1 ECO

Op het display verschijnt het symbool **HP**

In deze modus wordt alleen de warmtepomp binnen de werkingslimieten van het product gebruikt om een maximale energiebesparing te garanderen.

De warmtepomp wordt 5 minuten na de selectie van deze modus of vanaf de laatste uitschakeling ingeschakeld.

In geval van uitschakeling blijft de warmtepomp binnen de eerste 5 minuten sowieso ingeschakeld om een continue werking van minstens 5 minuten te garanderen.

7.5.2 BOOST

Op het display verschijnen knipperende **HP + ** symbolen.

Deze modus maakt gebruik van de warmtepomp en het verwarmingselement, binnen de werkingslimieten van het product, om een snellere opwarming te garanderen.

De warmtepomp wordt 5 minuten na de selectie van deze modus of vanaf de laatste uitschakeling ingeschakeld.

In geval van uitschakeling blijft de warmtepomp binnen de eerste 5 minuten sowieso ingeschakeld om een continue werking van minstens 5 minuten te garanderen.

Het verwarmingselement wordt onmiddellijk ingeschakeld.

7.5.3 ELEKTRISCH

Op het display verschijnt het symbool .

In deze modus wordt alleen het verwarmingselement gebruikt binnen de werkingslimieten van het product en is het nuttig in situaties met lage inlaatluchttemperaturen.

7.5.4 VENTILATIE

Op het display verschijnt het bericht **FRn**.

In deze stand wordt alleen de elektronische ventilator in het toestel gebruikt en is deze indien gewenst nuttig om de lucht in de kamer waarin het toestel zich bevindt, te doen recirculeren. In de automatische modus wordt de ventilator op de minimale snelheid ingesteld.

7.5.5 VAKANTIE

Op het display verschijnt het symbool .


Deze stand is nuttig wanneer u voor korte tijd weg bent en dan automatisch het toestel te vinden die in de automatische modus werkt.

Met de toetsen + en - kunnen de dagen van afwezigheid worden ingesteld gedurende dewelke u zou willen dat het toestel in stand-by moet blijven.

Druk op  en dan op Aan/Uit om te bevestigen.



7.5.6 AUTOMATISCH

Op het display verschijnt het symbool **HP + **.

In deze stand wordt de warmtepomp gebruikt en, indien nodig, ook het verwarmingselement, binnen de werkingslimieten van het product, om het best mogelijke comfort te garanderen.


De warmtepomp wordt 5 minuten na de selectie van deze modus of vanaf de laatste uitschakeling ingeschakeld.

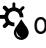
In geval van uitschakeling blijft de warmtepomp binnen de eerste 5 minuten sowieso ingeschakeld om een continue werking van minstens 5 minuten te garanderen.

7.6 EXTRA FUNCTIES

7.6.1 Zonne-energiemodus of of (Alleen voor modellen PCV3)


Wanneer de zonne-energiemodus wordt geactiveerd vanuit het installateurmenu, zijn alleen ECO - AUTOMATISCH - VAKANTIE beschikbaar.

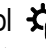
Wanneer het symbool  op het display knippert, werkt de zonne-energiemodus niet en het werkt de unit in de ingestelde modus: ECO, AUTOMATISCH of VAKANTIE.

Wanneer het symbool  op het display brandt, wordt de energie die door het zonne-energiesysteem wordt geproduceerd, gebruikt om het water in de tank te verwarmen via de zonne-energiespiraal.

7.6.2 Fotovoltaïsche modus of of

Wanneer de fotovoltaïsche modus wordt geactiveerd vanuit het installateurmenu, is alleen ECO - AUTOMATISCH - VAKANTIE beschikbaar.

Wanneer het symbool  op het display knippert, werkt de fotovoltaïsche modus niet en het werkt de unit in de ingestelde modus: ECO, AUTOMATISCH of VAKANTIE.

Wanneer het symbool  op het display brandt, wordt de energie die door het fotovoltaïsch systeem wordt geproduceerd, gebruikt om het water in de tank te verwarmen.

Als de ECO-modus is geselecteerd, werkt de warmtepomp totdat het instelpunt is bereikt en het verwarmingselement is ingeschakeld totdat het in het installateurmenu ingestelde fotovoltaïsche instelpunt is bereikt.

Anders kan het verwarmingselement met de AUTOMATISCHE modus ook worden ingeschakeld voordat het instelpunt van deze modus wordt bereikt, als de omstandigheden dit vereisen.

7.6.3 Nachttariefmodus of

Wanneer de fotovoltaïsche modus wordt geactiveerd vanuit het installateurmenu, is alleen ECO - AUTOMATISCH beschikbaar.

Wanneer het symbool  op het display knippert, de werkt de nachttariefmodus niet en blijft het apparaat in stand-by staan en zijn de warmtepomp en het verwarmingselement uitgeschakeld. Anders, wanneer het symbool  op het display brandt, werkt de unit in de ECO- of AUTOMATISCHE modus.

7.6.4 Anti-legionella

Op het display verschijnt het symbool .

Om de twee weken wordt op het ingestelde tijdstip door middel van het verwarmingselement in de tank een waterverwarmingscyclus uitgevoerd tot de anti-legionellatempatuur, waarbij deze gedurende de ingestelde tijd wordt aangehouden.

Als bij het bereiken van de anti-legionellatempatuur de cyclus niet binnen 10 uur correct wordt uitgevoerd, wordt deze stopgezet en zal deze na 2 weken opnieuw worden uitgevoerd. Als het verzoek voor de anti-legionellafunctie plaatsvindt met de VAKANTIE-stand geselecteerd, zal de anti-legionellacyclus onmiddellijk worden uitgevoerd wanneer de unit opnieuw wordt geactiveerd na de ingestelde afwezigheidsdagen.

Anti-legionellaparameters	Bereik	Standaard
Instelpunt anti-legionellatempatuur (P3)	50÷75°C	75°C
Duur anti-legionellacyclus (P4)	0÷90 min	30 min.
Activeringstijd anti-legionellacyclus (P29)	0÷23 u	23 u

7.6.5 Ontdooifunctie

Op het display verschijnt het symbool .

Dit toestel heeft een automatische ontdooifunctie voor de verdampers die, wanneer de bedrijfsomstandigheden dit vereisen, tijdens de werking van de warmtepomp wordt geactiveerd.

Ontdooiing vindt plaats door injectie van heet gas in de verdampers, waardoor deze snel kan worden ontdooid.

Tijdens het ontdooien wordt het verwarmingselement, waarmee het toestel is uitgerust, uitgeschakeld, tenzij anders ingesteld via het installateurmenu (parameter P6).

De maximale duur van het ontdooien is 8 minuten.

7.6.6 Vorstbeveiliging










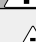



Op het display verschijnt het symbool .

Deze bescherming voorkomt dat de watertempatuur in de tank waarden dicht bij nul bereikt.

Als het toestel in stand-by staat en de watertempatuur in de tank lager is dan of gelijk is aan 5°C (parameter instelbaar via het installateurmenu), wordt de vorstbeschermingsfunctie geactiveerd, die het verwarmingselement inschakelt tot 12°C (parameter instelbaar via het installateurmenu).

7.7 Storingen/beveiliging

Deze apparatuur heeft een zelfdiagnosesysteem dat een aantal mogelijke storingen of beveiligingen tegen afwijkende bedrijfsomstandigheden dekt door middel van: detectie, signalering en het uitvoeren van een noodprocedure totdat de storing is verholpen.

Storing/beveiliging	Foutcode	Displayaanduiding
Storing in de onderste sensor van de tank	P01	 + P01
Storing in de bovenste sensor van de tank	P02	 + P02
Storing ontdooiingssensor	P03	 + P03
Storing inlaatluchtsensor	P04	 + P04
Storing inlaatsensor verdamper	P05	 + P05
Storing uitlaatsensor verdamper	P06	 + P06
Storing compressordebietsensor	P07	 + P07
Storing zonnecollectorsensor	P08	 + P08
Hogedrukbeveiliging	E01	 + E01
Alarm zonne-energie-/recirculatiecircuit	E02	 +E02
Alarm Temperatuur niet geschikt voor warmtepompwerking (Bij actief alarm wordt het water alleen met een verwarmingselement verwarmd)	PA	 +PA
Geen communicatie (bij actief alarm werkt de apparatuur niet)	E08	 + E08
Storing elektronische ventilator	E03	 + E03

In geval van een van de bovengenoemde fouten moet contact worden opgenomen met de technische ondersteuningsdienst van de fabrikant, met vermelding van de foutcode die op het display wordt weergegeven.

8. INBEDRIJFSTELLING



LET OP: Controleer of de apparatuur is aangesloten op de aardingsdraad.



LET OP: Controleer of de lijnspanning overeenstemt met de spanning die staat vermeld op het identificatieplaatje van de apparatuur.



VOORZICHTIG: Het toestel kan pas worden ingeschakeld nadat het met water is gevuld.

Ga verder met de volgende handelingen voor de inbedrijfstelling:

- Zodra het toestel is geïnstalleerd en alle aansluitingen zijn uitgevoerd (aëraulisch, hydraulisch, elektrisch, enz.), moet het worden gevuld met water uit het tapwaterleidingnet. Om het toestel te vullen, moet de centrale kraan van het tapwaterleidingnet en de dichtstbijzijnde warmwaterkraan worden geopend, terwijl ervoor moet worden gezorgd dat alle lucht in de tank geleidelijk wordt afgevoerd.
- Let erop dat de maximaal toegestane druk vermeld in het hoofdstuk "algemene technische gegevens" niet wordt overschreden.
- Controleer de veiligheidsapparatuur van het watercircuit.
- Steek de stekker van het toestel in het stopcontact.
- Wanneer de stekker in het stopcontact zit, staat de boiler in stand-by, blijft het display uitgeschakeld en gaat de aan-toets branden.
- Druk op de AAN/UIT-toets, de unit wordt geactiveerd in de "ECO"-modus (fabrieksinstelling).

In geval van een plotselinge stroomonderbreking zal de apparatuur, wanneer de stroom terug is, opnieuw starten in de bedrijfsmodus van voor de onderbreking.

8.1 Bedrijfsparameters zoeken en bewerken

Deze apparatuur heeft twee verschillende menu's voor respectievelijk het raadplegen en bewerken van de bedrijfsparameters (zie "8.1.1 Lijst van parameters van de apparatuur").

Als de apparatuur in werking is, kunnen de parameters op elk moment vrij worden geraadpleegd door de toetsen te ontgrendelen (zie "7.1 In- en uitschakelen van de boiler en ontgrendelen van de toetsen") en de toetsen "⊙" en "+" gedurende 3 seconden gelijktijdig ingedrukt te houden. Het label van de eerste parameter wordt op het display weergegeven met de letter "A". Door op de "+"-toets te drukken, wordt de waarde ervan weergegeven en door nogmaals op deze toets te drukken, wordt het label van de tweede parameter "B" weergegeven, enzovoort.

De volledige parameterlijst kan dan met de knoppen "+" en "-" naar voren/achteren worden gescrold.

Druk op de AAN/UIT-toets om af te sluiten.

Het bewerken van een of meer bedrijfsparameters kan alleen worden gedaan met de apparatuur in de stand-bystand en vereist dat het wachtwoord wordt ingevoerd.



NB: "Het gebruik van het wachtwoord is voorbehouden aan gekwalificeerd personeel; eventuele gevolgen van onjuiste parameterinstellingen zijn uitsluitend de verantwoordelijkheid van de klant. Daarom worden alle interventies die de klant vraagt aan een geautoriseerd technisch ondersteuningscentrum DAIKIN tijdens de standaard garantieperiode voor problemen met het product als gevolg van onjuiste instellingen van met een wachtwoord beveiligde parameters, niet gedekt door de standaard garantie."

Met ontgrendelde toetsen, **alleen in de stand-bystand**, houdt u de toetsen "⊙" en "+" gedurende 3 seconden gelijktijdig ingedrukt om toegang te krijgen tot het menu voor het bewerken van de apparatuurparameters (beveiligd met een wachtwoord: 35). Het display toont de twee cijfers "00". Druk op de toets "⊙". Het cijfer "0" aan de linkerkant knippert en met "+" en "-" selecteert u het eerste getal dat u wilt invoeren (3) en drukt u op "⊙" om te bevestigen. Ga op dezelfde manier te werk voor het tweede cijfer (5).

Als het wachtwoord correct is, wordt de parameter P1 weergegeven. Door op de "+"-toets te drukken wordt de standaardwaarde van deze parameter weergegeven, die kan worden gewijzigd door te drukken op ⊙ en met behulp van de toetsen "+" en "-" is het mogelijk om de waarde binnen het toegestane bereik voor deze parameter te wijzigen. Druk vervolgens op ⊙ om te bevestigen en de "+"-toets om verder te gaan met de andere parameters.

Druk na het bewerken van de gewenste parameters op de aan/uit-toets om op te slaan en af te sluiten.

De apparatuur keert nu terug naar de stand-bystand.

8.1.1 Lijst van parameters van de apparatuur

Parameter	Beschrijving	Bereik	Standaard	Opmerkingen
A	Laagste watertemperatuursensor	-30÷99°C	Gemeten waarde	Niet wijzigbaar
B	Hoogste watertemperatuursensor	-30÷99°C	Gemeten waarde	Niet wijzigbaar
C	Ontdooiingstemperatuursensor	-30÷99°C	Gemeten waarde	Niet wijzigbaar
D	Aanvoerluchttemperatuursensor	-30÷99°C	Gemeten waarde	Niet wijzigbaar
E	Inlaatgastemperatuursensor verdamper	-30÷99°C	Gemeten waarde / "0°C" als P33 = 0	Niet wijzigbaar (1)
F	Temperatuursensor verdamperuitlaatgas	-30÷99°C	Gemeten waarde / "0°C" als P33 = 0	Niet wijzigbaar (1)
G	Temperatuursensor compressorafvoergas	0÷125°C	Gemeten waarde / "0°C" als P33 = 0	Niet wijzigbaar (1)
H	Temperatuursensor zonnecollector (PT1000)	0÷150°C	Gemeten waarde / "0°C" als P16 = 2	Niet wijzigbaar (2)
I	EEV-openingsstap	30÷500	Gemeten waarde / P40-waarde als P39 = 1	Niet wijzigbaar (1)
J	Firmwareversie voedingskaart	0÷99	Huidige waarde	Niet wijzigbaar
L	Firmwareversie gebruikersinterface	0÷99	Huidige waarde	Niet wijzigbaar
P1	Hysteresis op onderste watersensor voor werking van de warmtepomp	2÷15°C	7°C	Aanpasbaar
P2	Inschakelvertraging elektrische verwarming	0÷90 min	6 min	Functie uitgesloten
P3	Instelpunttemperatuur anti-legionella	50°C÷75°C	75°C	Aanpasbaar
P4	Anti-legionelladuur	0÷90 min	30 min.	Aanpasbaar
P5	Ontdooiingsmodus	0 = compressorstop 1 = warm gas	1	Aanpasbaar
P6	Gebruik van elektrische verwarming tijdens het ontdooien	0 = UIT 1 = AAN	0	Aanpasbaar
P7	Vertraging tussen twee opeenvolgende ontdooiingscycli	30÷90 min	60 min.	Aanpasbaar
P8	Temperatuurdrempel voor starten ontdooiing	-30÷0°C	-5°C	Aanpasbaar
P9	Temperatuurdrempel voor stoppen ontdooiing	2÷30°C	3°C	Aanpasbaar
P10	Maximale ontdooiingsduur	3min÷12min	10 min	Aanpasbaar
P11	Waarde van de watertemperatuursensor weergegeven op het display	0 = lager 1 = hoger	1	Aanpasbaar
P12	Externe pompgebruiksmodus	0 = altijd UIT 1 = recirculatie warm water 2 = Zonne-energiesysteem	1	Aanpasbaar
P13	Bedrijfsmodus recirculatiepomp warm water	0 = met verwarmingspomp 1 = altijd AAN	0	Aanpasbaar
P14	Type verdampventilator (EC; AC; AC met dubbele snelheid; EC met dynamische snelheidsregeling)	0 = EC 1 = AC 2 = AC met dubbele snelheid 3 = EC met dynamische snelheidsregeling	3	Aanpasbaar
P15	Type veiligheidsdebietschakelaar voor warm-/zonnewaterrecirculatiecircuit, lagedrukkeuzeschakelaar	0 = NC 1 = NO 2 = lagedrukkeuzeschakelaar	0	Aanpasbaar
P16	Integratie van de zonne-energiemodus	0 = permanent gedeactiveerd 1 = werken met DIG1 2 = Directe aansturing van het zonne-energiesysteem	0	Aanpasbaar (2)
P17	Startvertraging van de warmtepomp na opening van DIG1	10÷60min	20 min	Aanpasbaar (2)
P18	Laagste waarde van de watersensortemperatuur om de integratie van de warmtepomp in de zonne-energiemodus te stoppen = 1 (werken met DIG1)	20÷60°C	40°C	Aanpasbaar (2)

Parameter	Beschrijving	Bereik	Standaard	Opmerkingen
P19	Hysteresis op de onderste watersensor om de integratie van de pomp in de zonne-energiemodus te starten = 2 (directe aansturing van het zonne-energiesysteem)	5÷20°C	10°C	Aanpasbaar (2)
P20	Temperatuurdrempel voor aftapkraan zonne-energiesysteem / oprolafsluitbewerking zonnecollector integratie in zonne-energiemodus = 2 (directe aansturing van het zonne-energiesysteem)	100÷150°C	140°C	Aanpasbaar (2)
P21	Laagste waarde van de watersensortemperatuur om de integratie van de warmtepomp in de fotovoltatische modus te stoppen	30÷70°C	62°C	Aanpasbaar
P22	Hoogste waarde van de watersensortemperatuur om de integratie van de elektrische verwarming in de fotovoltatische modus te stoppen	30÷80°C	75°C	Aanpasbaar
P23	Integratie van de fotovoltatische modus	0 = permanent gedeactiveerd 1 = geactiveerd	0	Aanpasbaar
P24	Nachttarief-bedrijfsmodus	0 = permanent gedeactiveerd 1 = geactiveerd met ECO 2 = geactiveerd met AUTO	0	Aanpasbaar
P25	Compensatiewaarde op de bovenste watertemperatuursensor	-25÷25°C	2°C	Aanpasbaar
P26	Compensatiewaarde op de onderste watertemperatuursensor	-25÷25°C	2°C	Aanpasbaar
P27	Compensatiewaarde op de luchtinlaattemperatuursensor	-25÷25°C	0°C	Aanpasbaar
P28	Compensatiewaarde op de ontdooiingstemperatuursensor	-25÷25°C	0°C	Aanpasbaar
P29	Startuur anti-legionella	0÷23 uur	23 uur	Aanpasbaar
P30	Hysteresis op bovenste watersensor voor werking van de elektrische verwarming	2÷20°C	7°C	Aanpasbaar
P31	Bedrijfsperiode van de warmtepomp in de AUTO-modus voor de berekening van de verwarmingssnelheid	10÷80 min	30 min.	Aanpasbaar
P32	Temperatuurdrempel voor gebruik van elektrische verwarming in de AUTO-modus	0÷20°C	4°C	Aanpasbaar
P33	Regeling elektronische expansieklep (EEV)	0 = permanent gedeactiveerd 1 = geactiveerd	1	Aanpasbaar (1)
P34	Oververhittingberekeningsperiode voor de automatische EEV-bedieningsmodus	20÷90s	30 s	Aanpasbaar (1)
P35	Oververhittingsinstelpunt voor de automatische EEV-bedieningsmodus	-8÷15°C	4°C	Aanpasbaar (1)
P36	Instelpunt afkoeling oververhitting voor de automatische EEV-bedieningsmodus	60÷110°C	88°C	Aanpasbaar (1)
P37	Stapsgewijze EEV-opening tijdens ontdooien (x10)	5÷50	15	Aanpasbaar (1)
P38	Minimale stapsgewijze EEV-opening bij automatische bedieningsmodus (x10)	3~45	9	Aanpasbaar (1)
P39	EEV-bedieningsmodus	0 = automatisch 1 = handleiding	0	Aanpasbaar (1)
P40	Eerste stapsgewijze EEV-opening bij automatische bedieningsmodus/ stapsgewijze EEV-opening bij handmatige bedieningsmodus (x10)	5÷50	25	Aanpasbaar (1)

Parameter	Beschrijving	Bereik	Standaard	Opmerkingen
P41	AKP1-temperatuurdrempel voor EEV KP1-verhoging	-10÷10°C	-1	Aanpasbaar (1)
P42	AKP2-temperatuurdrempel voor EEV KP2-verhoging	-10÷10°C	0	Aanpasbaar (1)
P43	AKP3-temperatuurdrempel voor EEV KP3-verhoging	-10÷10°C	0	Aanpasbaar (1)
P44	EEV KP1-verhoging	-10÷10	2	Aanpasbaar (1)
P45	EEV KP2-verhoging	-10÷10	2	Aanpasbaar (1)
P46	EEV KP3-verhoging	-10÷10	1	Aanpasbaar (1)
P47	Maximaal toegestane inlaattemperatuur voor de werking van de warmtepomp	38÷43°C	43°C	Aanpasbaar
P48	Minimaal toegestane inlaattemperatuur voor de werking van de warmtepomp	-10÷10°C	-7°C	Aanpasbaar
P49	Drempel op inlaattemperatuur voor verdamper EC of AC met dubbele snelheidsinstelling van de blazersnelheid	10÷40°C	25°C	Aanpasbaar
P50	Laagste instelpunt temperatuur warm tapwater	0÷15°C	12°C	Aanpasbaar
P51	Hoogste snelheidsinstelpunt EC-blazer verdamper	60÷100%	90%	Aanpasbaar
P52	Laagste snelheidsinstelpunt EC-blazer verdamper	10÷60%	50%	Aanpasbaar
P53	Instelpunt ontdooisnelheid EC-verdamperventilator	0÷100%	50%	Aanpasbaar
P54	By-passtijd lagedrukschakelaar	1÷240 min	1	Aanpasbaar
P55	Interval 1 proportionele regeling verdampertemperatuur	1÷20°C	4°C	Aanpasbaar
P56	Differentiaaltemperatuur met inschakelen van de maximumsnelheid	P57÷20°C	2°C	Aanpasbaar
P57	Differentiaaltemperatuur met uitschakelen van de maximumsnelheid	1°C÷P56	1°C	Aanpasbaar
P58	Gebruik van de verdamperventilator met compressor uit	0 = UIT 1 = AAN met handbediende snelheidsregeling 2 = AAN met automatische snelheidsregeling	0	Aanpasbaar
P59	Verdamperventilatorsnelheid (EC) met compressor uit	0÷100%	40%	Aanpasbaar
P60	Temperatuurverschil 1 van verdamping van de lucht om het instelpunt te berekenen	1÷25°C	4°C	Aanpasbaar
P61	Temperatuurverschil 2 van verdamping van de lucht om het instelpunt te berekenen	1÷25°C	2°C	Aanpasbaar
P62	Temperatuurverschil 3 van verdamping van de lucht om het instelpunt te berekenen	1÷25°C	6°C	Aanpasbaar
P63	Temperatuurverschil 4 van verdamping van de lucht om het instelpunt te berekenen	1÷25°C	3°C	Aanpasbaar
P64	Temperatuurverschil 5 van verdamping van de lucht om het instelpunt te berekenen	1÷25°C	10°C	Aanpasbaar
P65	Temperatuurverschil 6 van verdamping van de lucht om het instelpunt te berekenen	1÷25°C	18°C	Aanpasbaar
P66	Interval 2 proportionele regeling verdampertemperatuur	1÷20°C	2°C	Aanpasbaar
P67	Interval 3 proportionele regeling verdampertemperatuur	1÷20°C	9°C	Aanpasbaar
P68	Interval 4 proportionele regeling verdampertemperatuur	1÷20°C	5°C	Aanpasbaar

Parameter	Beschrijving	Bereik	Standaard	Opmerkingen
P69	Interval 5 proportionele regeling verdampertemperatuur	1±20°C	10°C	Aanpasbaar
P70	Interval 6 proportionele regeling verdampertemperatuur	1±20°C	5°C	Aanpasbaar
P71	Vermindering ventilatorsnelheid EC-verdamper voor stille modus	0÷40%	15%	Aanpasbaar
P72	Verhoging EC-ventilatorsnelheidsregelaar	1÷100	5	Aanpasbaar

(1) = NIET BRUIKBAAR VOOR DIT APPARAAT

(2) = ALLEEN VOOR MODELLEN "EKHHE200PCV37, EKHHE260PCV37"

9. PROBLEEMOPLOSSING



VOORZICHTIG: Probeer uw apparaat niet zelf te repareren.

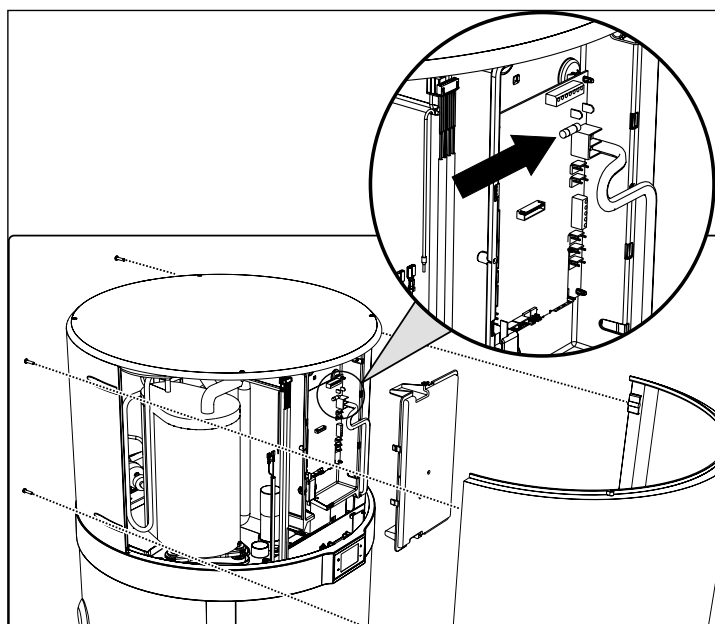
De volgende controles zijn voorbehouden aan gekwalificeerd personeel.

Storing	Aanbevolen actie
De apparatuur kan niet worden ingeschakeld	<ul style="list-style-type: none"> Controleer of het product daadwerkelijk wordt gevoed door de netvoeding. Ontkoppel de apparatuur en sluit deze na enkele minuten weer aan. Controleer de stroomkabel in het product. Controleer of de zekering op de voedingskaart intact is. Zo niet, vervang deze dan door een IEC-60127-2/II gecertificeerde tijdvertragingsekering van 5 A.
Water kan niet worden verwarmd via de warmtepomp in de ECO- of AUTOMATISCHE modus	<ul style="list-style-type: none"> Schakel de apparatuur uit en na een paar uur weer in. Koppel de apparatuur los van de netvoeding, laat een deel van het water in de tank weglopen (ca. 50%) en vul deze vervolgens bij en schakel de apparatuur weer in in de ECO-modus.
De warmtepomp blijft aanstaan zonder ooit te stoppen	<ul style="list-style-type: none"> Controleer, zonder warm water uit het product te halen, of de verwarming via de warmtepomp binnen enkele uren goed verloopt.
Water kan niet worden verwarmd via het geïntegreerde verwarmingselement in de AUTOMATISCHE modus	<ul style="list-style-type: none"> Schakel de apparatuur uit en controleer de veiligheidsthermostaat van het verwarmingselement in de apparatuur en stel deze zo nodig opnieuw in. Schakel vervolgens de apparatuur in de AUTOMATISCHE modus in. Koppel de apparatuur los van de netvoeding, laat een deel van het water in de tank weglopen (ca. 50%) en vul deze vervolgens bij en schakel de apparatuur weer in in de AUTOMATISCHE modus. Ga naar het installateurmenu en verhoog de waarde van parameter P32, bijv. tot 7°C. Controleer of de veiligheidsthermostaat van het verwarmingselement niet heeft ingegrepen (zie 9.2)

9.1 Vervanging van de zekering van de voedingskaart

Ga te werk zoals hieronder aangegeven (alleen voor gekwalificeerd technisch personeel):

- Schakel de voeding naar de apparatuur uit.
- Verwijder het bovenste deksel van de apparatuur en vervolgens het deksel van de voedingskaart.
- Verwijder de zekeringsdop en vervolgens de zekering met een geschikte schroevendraaier.
- Installeer een nieuwe IEC-60127-2/II gecertificeerde tijdvertragingsekering van 5 A (T5AL250V) en plaats vervolgens de beschermdop terug.
- Monteer alle afdekkingen opnieuw en controleer of de apparatuur correct is geïnstalleerd voordat u deze aanzet.



afb. 28

9.2 Resetten van de veiligheidsthermostaat van het verwarmingselement

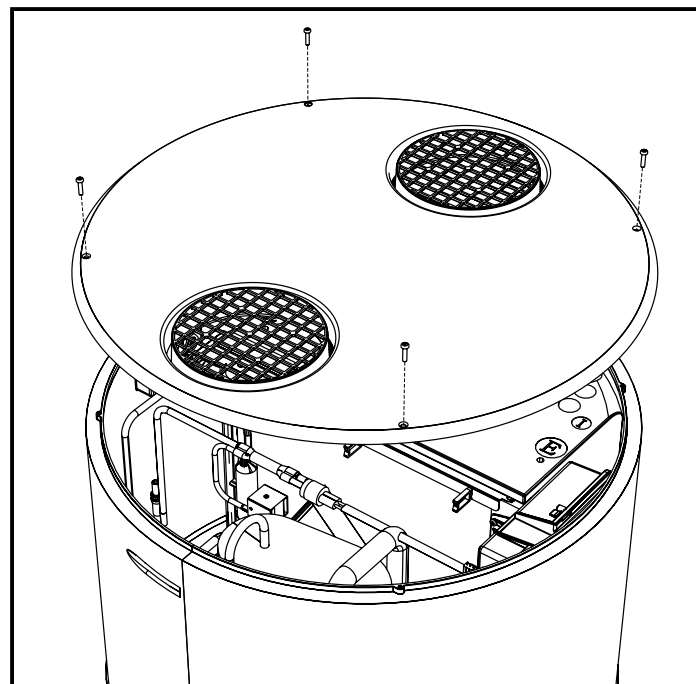
Deze apparatuur heeft een veiligheidsthermostaat met handmatige resetfunctie die in serie is verbonden met het in water gedompelde verwarmingselement, die de voeding onderbreekt in geval van oververhitting in de tank.

Ga indien nodig als volgt te werk om de thermostaat te resetten (voorbehouden aan gekwalificeerd technisch personeel):

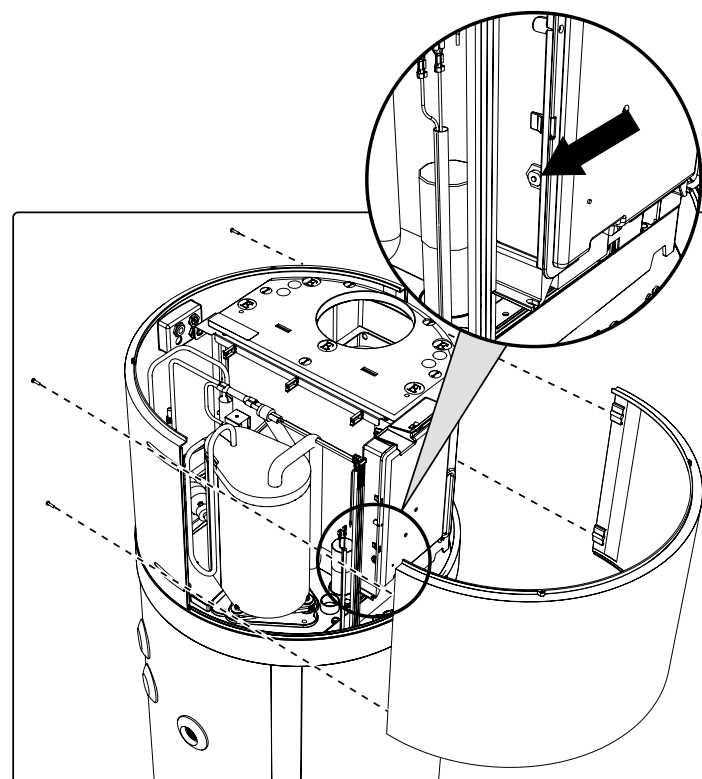
- Trek de stekker van het product uit het stopcontact.
- Verwijder eventuele luchtleidingen.
- Verwijder het bovenste deksel door eerst de bevestigingschroeven los te draaien (afb. 29).
- Verwijder het frontpaneel en reset de geactiveerde veiligheidsthermostaat handmatig (afb. 30). In geval van

interventie komt de centrale pin van de thermostaat ongeveer 2 mm naar buiten.

- Plaats het eerder verwijderde bovenste deksel terug.



afb. 29- Verwijdering van het bovenste deksel



afb. 30- Verwijdering frontpaneel

! LET OP: De veiligheidsthermostaat kan worden geactiveerd door een storing in het bedieningspaneel of doordat er geen water in de tank zit.

! LET OP: Reparaties aan onderdelen met een beveiligingsfunctie kunnen de veilige werking van de apparatuur in het gedrang brengen. Vervang defecte onderdelen alleen door originele reserveonderdelen.

! NB: De activering van de thermostaat blokkeert de werking van het verwarmingselement maar niet die van het warmtepompsysteem (binnen de toegestane werkingslimieten).

! LET OP! Als de bediener niet in staat is de storing te verhelpen, schakel dan de apparatuur uit en neem contact op met de technische ondersteuningsdienst en geef het model van het gekochte product door.

10. ONDERHOUD

! LET OP: Reparaties aan de apparatuur moeten worden uitgevoerd door gekwalificeerd personeel. Verkeerde reparaties kunnen ernstige gevaren voor de gebruiker met zich meebrengen. Als uw apparatuur moet worden gerepareerd, neem dan contact op met het servicecentrum.

! LET OP: Zorg er voor elk onderhoud voor dat de apparatuur niet op de netvoeding is aangesloten en er ook niet toevallig op kan worden aangesloten. Schakel daarom bij elke onderhouds- of reinigingsbeurt de stroom uit.

10.1 Controle/vervanging opofferingsanode

De magnesiumanode (Mg), ook wel "opofferingsanode" genoemd, voorkomt dat wervelstromen die in de boiler ontstaan oppervlaktecorrosieprocessen in gang zetten.

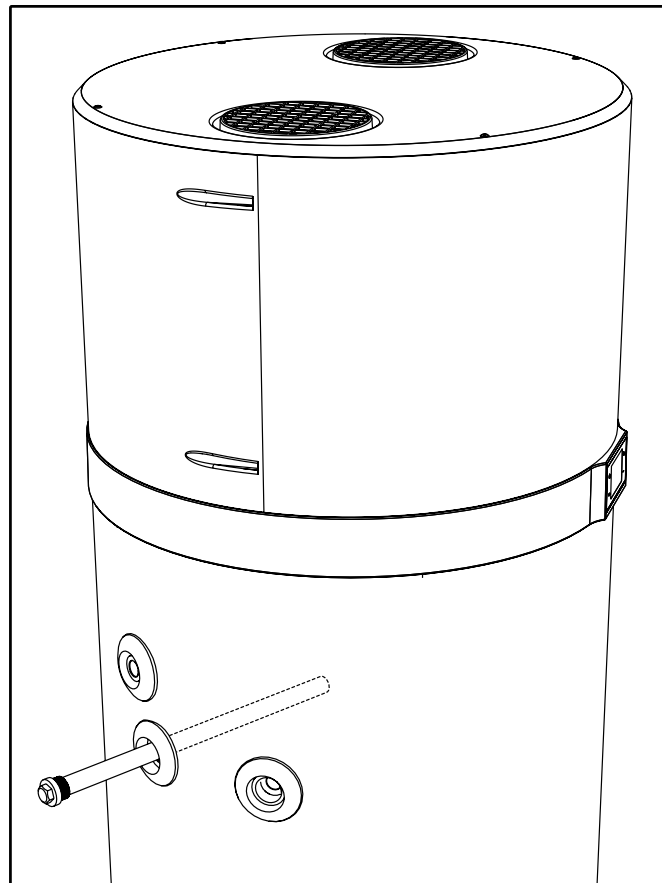
In feite is magnesium een zwak geladen metaal in vergelijking met het materiaal waarvan de binnenkant van de boiler is gecoat, daarom trekt het eerst de negatieve ladingen aan die zich vormen bij het verwarmen van het water, waardoor het zichzelf verbruikt. De anode offert zichzelf met andere woorden op door te roesten in plaats van de tank. De boiler heeft twee anodes, een in het onderste gedeelte van de tank en een in het bovenste gedeelte van de tank (gebied meer onderhevig aan corrosie).

De toestand van de Mg-anodes moet ten minste om de twee jaar (en beter ieder jaar) worden gecontroleerd. Deze controle moet worden uitgevoerd door gekwalificeerd personeel.

Voordat u de controle uitvoert:

- Sluit de koudwaterinlaat af.

- Maak de boiler leeg (zie par. "10.2 Boiler leegmaken").
- Schroef de bovenste anode los en controleer de corrosie; als de corrosie meer dan 2/3 van het anodeoppervlak heeft aangetast, ga dan over tot vervanging.



afb. 31

De anodes zijn voorzien van passende pakkingen. Om waterlekken te voorkomen, wordt aanbevolen om voor de schroefdraden een anaeroob afdichtmiddel te gebruiken dat geschikt is voor gebruik in verwarmings- en waterleidingssystemen. De pakkingen moeten worden vervangen door nieuwe in geval van controle en ook de anodes moeten worden vervangen.

10.2 Boiler leegmaken

Indien niet in gebruik, vooral bij lage temperaturen, is het raadzaam om het water in de boiler af te tappen.

Voor de apparatuur in kwestie hoeft u alleen maar de waterinlaataansluiting los te maken (zie par. "6.5 Hydraulische verbindingen"). Als alternatief is het raadzaam om bij het opstellen van het systeem een aftapkraan met slangaansluiting te installeren.

! NB: Vergeet in geval van lage temperaturen niet het systeem leeg te maken om bevriezing te voorkomen.

11. ALS AFVAL VERWIJDEREN

Op het einde van hun levensduur moeten de warmtepompen als afval worden verwijderd conform de geldende regelgeving.



LET OP: Deze apparatuur bevat fluorhoudende broeikasgassen die onder het Kyoto-protocol vallen. Deze apparatuur mag uitsluitend worden onderhouden en verwijderd door gekwalificeerd personeel.

INFORMATIE VOOR GEBRUIKERS



Conform Richtlijnen 2011/65/EU en 2012/19/EU met betrekking tot het terugdringen van het gebruik van gevaarlijke stoffen in elektrische en elektronische apparatuur en de verwijdering ervan als afval.

Het symbool met de doorgestreepte afvalcontainer dat op de apparatuur of de verpakking ervan is aangebracht, betekent dat het product op het einde van zijn leven gescheiden van ander afval moet worden verwijderd.

De gebruiker moet de apparatuur dan ook naar een gepast afvalcentrum voor elektrisch en elektronisch afval brengen, of het terugbezorgen aan de verdeler bij aankoop van een nieuw toestel, a rato van een oud toestel voor een nieuw.

Deze afzonderlijke afvalverwijdering en de daarop volgende verzending van de apparatuur die niet langer wordt gebruikt voor recycling, behandeling en/of milieuvriendelijke verwijdering zorgt er mee voor dat negatieve effecten op het milieu en de gezondheid worden voorkomen en stimuleert het hergebruik en/of de recycling van materialen waaruit de apparatuur is gemaakt. Bij ongeoorloofde verwijdering van het product door de gebruiker worden de administratieve sancties toegepast waarin de huidige wetgeving voorziet.

De belangrijkste materialen waaruit de apparatuur in kwestie bestaat, zijn:

- staal
- koper
- magnesium
- aluminium
- plastic
- polyurethaan

12. PRODUCTBLAD

Beschrijvingen	m.e.	EKHHE200CV37	EKHHE260CV37	EKHHE200PCV37	EKHHE260PCV37
Opgegeven belastingsprofiel	-	L	XL	L	XL
Temperatuurinstellingen van de waterverwarmingsthermostaat	°C	55	55	55	55
Energie-efficiëntieklasse waterverwarming ⁽¹⁾	-	A+	A+	A+	A+
Energie-efficiëntie waterverwarming - η_{wh} ⁽¹⁾	%	135	138	135	138
COP _{WTW} ⁽¹⁾	-	3,23	3,37	3,23	3,37
Jaarlijks elektriciteitsverbruik - JEV ⁽¹⁾	kWu	761	1210	761	1210
Energie-efficiëntie waterverwarming - η_{wh} ⁽²⁾	%	106	112	106	112
COP _{WTW} ⁽²⁾	-	2,55	2,73	2,55	2,73
Jaarlijks elektriciteitsverbruik - JEV ⁽²⁾	kWu	944	1496	944	1496
Energie-efficiëntie waterverwarming - η_{wh} ⁽³⁾	%	162	160	162	160
COP _{WTW} ⁽³⁾	-	3,89	3,9	3,89	3,9
Jaarlijks elektriciteitsverbruik - JEV ⁽³⁾	kWu	631	1046	631	1046
Geluidsvermogeniveau binnen ⁽⁴⁾	dB (A)	53	51	53	51
Geluidsvermogeniveau buiten ⁽⁴⁾	dB (A)	45	44	45	44
De boiler kan alleen buiten de piekuren werken	-	NEEN	NEEN	NEEN	NEEN
Specifieke voorzorgsmaatregelen die moeten worden genomen wanneer de waterverwarming wordt gemonteerd, geïnstalleerd of onderhouden	-	Zie handleiding			

(1): Gegevens volgens norm EN 16147: 2017 voor een GEMIDDELD klimaat (unit in stand ECO; inlaatwatertemp. = 10°C; inlaatluchttemp. = 7°C DB/6°C WB)

(2): Gegevens volgens norm EN 16147: 2017 voor een KOUDER klimaat (unit in stand ECO; inlaatwatertemp. = 10°C; inlaatluchttemp. = 2°C DB/1°C WB)

(3): Gegevens volgens norm EN 16147: 2017 voor een WARMER klimaat (unit in stand ECO; inlaatwatertemp. = 10°C; inlaatluchttemp. = 14°C DB/13°C WB)

(4): Gegevens volgens norm EN 12102-2: 2019 stand ECO met inlaatluchttemp. = 7°C DB/6°C WB

1. PRECAUCIONES GENERALES DE SEGURIDAD	2
2. INTRODUCCIÓN.....	6
2.1 Productos	6
2.2 Exención de responsabilidad.....	6
2.3 Idioma	6
2.4 Derechos de reproducción.....	7
2.5 Versiones y configuraciones disponibles.....	7
3. MANIPULACIÓN Y TRANSPORTE	7
3.1 Recepción.....	7
4. CARACTERÍSTICAS DE LA CONSTRUCCIÓN.....	9
4.1 Datos dimensionales	10
4.2 Características técnicas.....	11
5. INFORMACIÓN IMPORTANTE	12
5.1 Cumplimiento de la normativa europea.....	12
5.2 Grado de protección de la carcasa	12
5.3 Límites de funcionamiento.....	12
5.4 Límites de funcionamiento	12
5.5 Normas básicas de seguridad	13
5.6 Información sobre el refrigerante utilizado	13
6. INSTALACIÓN Y CONEXIONES.....	13
6.1 Preparativos del emplazamiento de instalación	13
6.2 Fijación en el suelo.....	14
6.3 Conexiones aerólicas	14
6.4 Fijación y conexiones de este aparato	16
6.5 Conexiones hidráulicas	16
6.6 Integración con el sistema térmico solar (<i>solo para los modelos EKHHE200PCV37 y EKHHE260PCV37</i>)	17
6.7 Conexiones eléctricas	18
6.8 Diagrama de cableado.....	20
7. DESCRIPCIÓN DE LA INTERFAZ DE USUARIO Y FUNCIONAMIENTO DEL EQUIPO	21
7.1 Activación y desactivación del calentador de agua y desbloqueo de botones.....	22
7.2 Ajuste del reloj	22
7.3 Ajuste de los intervalos de tiempo	22
7.4 Ajuste del punto de consigna del agua caliente	22
7.5 Modo de funcionamiento	23
7.6 Funciones adicionales	24
7.7 Averías/protección	25
8. PUESTA EN MARCHA	26
8.1 Consulta y edición de parámetros de funcionamiento.....	26
9. ANOMALÍAS Y SOLUCIONES.....	30
9.1 Sustitución del fusible de la placa de alimentación	31
9.2 Restablecimiento del termostato de seguridad del elemento calefactor	31
10. MANTENIMIENTO	32
10.1 Comprobación/sustitución del ánodo de sacrificio	32
10.2 Vaciado de la caldera	32
11. TRATAMIENTO DE DESECHOS.....	33
12. HOJA DE PRODUCTO	33

1. PRECAUCIONES GENERALES DE SEGURIDAD

PRECAUCIÓN:

- Este manual forma parte integral del producto. Consérvelo cuidadosamente con el aparato y entrégueselo al siguiente usuario o propietario en caso de traspaso.
- Estas instrucciones también están disponibles a través del servicio de atención al cliente del fabricante y su sitio web: www.daikin.eu
- Lea detenidamente las instrucciones y advertencias de este manual, contienen información importante sobre la instalación, uso y mantenimiento seguros.

ADVERTENCIAS SOBRE LA SEGURIDAD

No utilice el aparato para otros fines distintos para los que fue diseñado. El fabricante no se hace responsable de los daños resultantes del uso inadecuado o incorrecto de este aparato o el incumplimiento de las instrucciones descritas en este manual.

Este equipo no está diseñado para ser utilizado por personas (niños incluidos) con discapacidades físicas, sensoriales o mentales, al igual que personas sin experiencia ni los conocimientos necesarios para ello, a menos que cuenten con la supervisión o instrucciones sobre el uso del equipo proporcionadas por una persona responsable de su seguridad.

Deberá vigilarse a los niños para evitar que jueguen con el aparato.

Este aparato pueden utilizarlo niños de 8 años o más y aquellos con discapacidades físicas, sensoriales o mentales, al igual que personas sin experiencia ni los conocimientos necesarios para ello, siempre que cuenten con la supervisión o instrucciones sobre el uso del aparato y tengan claro los riesgos que conlleva.

Los niños no deben jugar con el aparato.

El agua calentada a más de 50°C puede provocar quemaduras graves inmediatas si se suministra directamente desde los grifos. Los niños, las personas discapacitadas y los ancianos corren riesgo particularmente. Se recomienda instalar una válvula de mezcla termostática en la línea de suministro de agua.

Los niños no deben limpiar ni realizar el mantenimiento de este aparato sin supervisión.

No toque el aparato cuando esté descalzo ni con ninguna parte del cuerpo que esté mojada.

No deje que materiales inflamables entren en contacto con el aparato ni estén cerca de él.

El aparato no debe vaciarse cuando esté fuera de servicio en una zona expuesta a temperaturas bajo cero. Realice el drenaje tal como se describe en el capítulo correspondiente.

PRECAUCIONES SOBRE LA INSTALACIÓN

El aparato debe instalarse y ponerse en marcha por un técnico cualificado de acuerdo con la normativa local sobre salud y seguridad. Antes de abrir el bloque de terminales deben desconectarse todos los circuitos de alimentación.

La instalación incorrecta puede provocar daños materiales y lesiones a persona o animales; el fabricante no se hace responsable de las consecuencias.

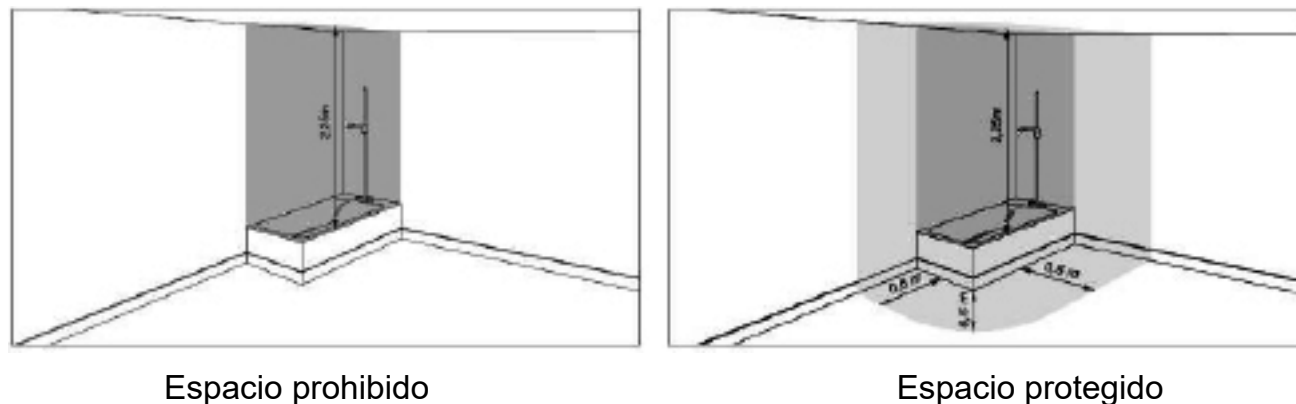
Este producto es pesado, manipúlelo con sumo cuidado e instálelo en una habitación en la que no haya escarcha.

Asegúrese de que el suelo pueda soportar el peso del aparato lleno de agua.

La destrucción del aparato por sobrepresión como consecuencia del bloqueo del dispositivo de seguridad anula la garantía.

ADVERTENCIAS SOBRE LA INSTALACIÓN

Cuando instale este producto en un cuarto de baño no utilice el "Espacio prohibido" y respete, al menos, el "Espacio protegido" descrito tal como se muestra a continuación:



Este producto debe instalarse en un emplazamiento accesible.

El calentador de agua debe fijarse al suelo mediante los soportes de fijación suministrado a tal efecto, los adhesivos no se consideran un medio de fijación fiable.

Este producto está diseñado para utilizarse en una altitud máxima de 2000 m.

Consulte la descripción y las ilustraciones en los párrafos 6.1, 6.2 y 6.4.

ADVERTENCIAS SOBRE LAS CONEXIONES AERÓLICAS

El funcionamiento simultáneo de una chimenea de cámara abierta y la bomba de calor provoca una presión negativa peligrosa en la habitación. La presión negativa puede provocar el retorno de los gases de escape a la habitación. No haga funcionar la bomba de calor al mismo tiempo que una chimenea de cámara abierta.

Utilice solamente chimeneas de cámara sellada (homologadas) con un suministro de aire de combustión independiente.

Selle la puertas de las habitaciones con caldera que no tengan la admisión de aire de combustión en común con las salas de estar.

Se debe instalar una rejilla de protección adecuada en las conexiones de admisión y salida de aire para impedir que cuerpos extraños entren dentro del equipo.

Consulte la descripción y las ilustraciones en "Conexiones aerólicas" párrafo 6.3.

ADVERTENCIAS SOBRE LAS CONEXIONES HIDRÁULICAS

Es obligatorio atornillar un dispositivo adecuado contra la sobrepresión (no se incluye) en la tubería de admisión de agua del aparato. En los países que reconocen la norma EN 1487, la tubería de admisión de agua del aparato debe estar equipada con un dispositivo de seguridad que cumpla con la norma anteriormente citada.

Este debe ser nuevo, con unas dimensiones de 3/4" y calibrado para una presión máxima de 0,7 MPa, incluyendo, al menos, una válvula de descarga, una válvula de retención, una válvula de seguridad y un dispositivo de desconexión de carga hidráulica.

El dispositivo de seguridad no debe modificarse de ninguna manera y debe ponerse en marcha frecuentemente para comprobar que no esté bloqueado y eliminar la cal.

El agua puede gotear desde el tubo de descarga del dispositivo de alivio de presión y la tubería debe dejarse abierta a la atmósfera. El tubo de descarga conectado al dispositivo de alivio de presión debe instalarse en posición descendiente continua y en un entorno libre de escarcha.

Cuando la presión del agua de entrada sea superior a 0,7 MPa (7 bar) será necesario utilizar un reductor de presión (no se incluye) y este deberá conectarse a la red de agua principal.

La presión del agua de entrada mínima para el correcto funcionamiento del aparato es de 0,15 MPa (1,5 bar).

Conecte un tubo de goma al drenaje de condensación, procurando no forzar demasiado para no romper el tubo de drenaje y tomando como referencia el párrafo "6.6.1".

Utilice únicamente tubos de conexión (no se incluyen) rígidos y resistentes a la electrolisis, tanto en la entrada de agua fría como en la salida de agua caliente del dispositivo.

En los modelos que incorporen un intercambiador de calor (batería solar), el circuito no debe sobrepasar 1,0 MPa (10 bar) y su temperatura no debe exceder de los 80°C.

Consulte las descripciones y las ilustraciones en "Conexiones hidráulicas" párrafo 6.6 e "Integración con sistema térmico solar" párrafo 6.7.

ADVERTENCIAS SOBRE LAS CONEXIONES ELÉCTRICAS

Este aparato debe instalarse de acuerdo con la normativa nacional sobre cableado.

La instalación eléctrica debe incluir una desconexión omnipolar con una separación de los contactos en todos los polos capaz de garantizar una desconexión completa en la categoría de sobretensión III en posición ascendente en el aparato y que cumpla con la normativa local sobre instalaciones en vigor.

El dispositivo debe estar protegido por un interruptor diferencial adecuado (máx. 30 mA). El tipo de interruptor diferencial debe seleccionarse evaluando el tipo de dispositivos eléctricos usado en el conjunto del sistema.

La conexión a tierra es obligatoria. El fabricante del equipo no se hace responsable de daños provocados por una mala conexión a tierra del sistema o anomalías en el suministro eléctrico.

Está terminantemente prohibido conectar el aparato a la red de CA mediante alargadores o una regleta de enchufes.

Antes de retirar la cubierta, asegúrese de que el suministro eléctrico esté desconectado para evitar lesiones o descargas eléctricas.

Consulte las descripciones e ilustraciones, de "Conexiones eléctricas" párrafo 6.8 y "Diagrama de cableado" párrafo 6.9, respectivamente.

ADVERTENCIAS SOBRE EL SERVICIO, MANTENIMIENTO Y ANOMALÍAS Y SOLUCIONES

Cualquier trabajo de reparación, mantenimiento, fontanería o conexiones eléctrica deber realizarlo técnicos cualificados que utilicen solamente piezas de repuesto originales. No respetar las instrucciones anteriores puede comprometer la seguridad del aparato y exime al fabricante de cualquier responsabilidad de las consecuencias.

Para vaciar el aparato: desconecte el suministro eléctrico y el agua fría, abra los grifos del agua caliente y a continuación, haga funcionar la válvula de drenaje del dispositivo de seguridad.

La válvula de alivio de presión debe accionarse regularmente para eliminar los depósito de cal y asegurar que no está bloqueada.

El aparato está equipado con un cable de suministro eléctrico, si este resulta dañado, deberá ser sustituido por el fabricante, su distribuidor o técnico cualificado para evitar peligros.

El aparato incorpora un fusible miniatura de efecto retardado que si se rompe, debe sustituirse por un fusible modelo "T5AL250V" de acuerdo con la norma IEC 60127.

Consulte las descripciones y las ilustraciones que se muestran en "ANOMALÍAS Y SOLUCIONES" capítulo 9 y "MANTENIMIENTO" capítulo 10.

2. INTRODUCCIÓN

El manual de instalación y funcionamiento forma parte integral de la bomba de calor (de aquí en adelante equipo).




El manual debe conservarse para consultarlo en el futuro hasta el desmantelamiento de la unidad. Está concebido para instaladores especializados (instaladores, técnicos de mantenimiento) y el usuario final. El manual describe los procedimientos de instalación que hay que seguir para un funcionamiento correcto y seguro del equipo y los métodos de utilización y mantenimiento.

En caso de venta o traspaso a otro usuario, el manual debe permanecer con la unidad.

Antes de instalar o utilizar el equipo, lea detenidamente este manual de instrucciones y en particular el capítulo 5 sobre seguridad.

El manual debe conservarse con la unidad y estar siempre disponible para el personal cualificado de instalación y mantenimiento.

Los siguientes símbolos se utilizan en el manual para destacar la información más importante:

	Precaución
	Procedimientos a seguir
	Información y sugerencias

2.1 Productos

Estimado/a cliente/a,

Gracias por haber adquirido este producto.

Nuestra empresa, siempre atenta a los problemas medioambientales, utiliza materiales y tecnologías con un impacto medioambiental bajo en sus productos, en cumplimiento de las normativas EU WEEE (2012/19/EU – RoHS 2011/65/EU).

2.2 Exención de responsabilidad

La conformidad de estas instrucciones de funcionamiento con el hardware y el software se ha comprobado cuidadosamente. No obstante, pueden existir diferencias y no se asume ninguna responsabilidad por conformidad total.

En beneficio de las mejoras técnicas, nos reservamos el derecho de realizar cambios en la construcción y los datos técnicos en cualquier momento. Cualquier reclamación relacionada con las indicaciones, cifras, ilustraciones o descripciones queda, por lo tanto, excluida. Todo esto está sujeto a posibles errores.

El constructor no asume ninguna responsabilidad por daños resultantes de errores de comandos, uso incorrecto o inapropiado o relaciones o modificaciones no autorizadas.

2.3 Idioma

El manual original está escrito en italiano (IT), el idioma del fabricante.

Las traducciones a otros idiomas deben realizarse partiendo de las instrucciones originales.

El fabricante asume la responsabilidad sobre la información presente en las instrucciones originales. Sin embargo, las traducciones a otros idiomas no pueden verificarse y, por tanto, si se detecta una incoherencia hay que tomar como referencia el texto en el idioma original o ponerse en contacto con nuestra Oficina de documentación técnica.

2.4 Derechos de reproducción

Estas instrucciones de funcionamiento contienen información protegida por derechos de autor. Queda terminantemente prohibido fotocopiar, duplicar, traducir o guardar en medios de almacenamiento estas instrucciones de funcionamiento sin el previo consentimiento del proveedor. Cualquier infracción de lo anterior estará sujeta a compensación por daños. Todos los derechos, incluidos los resultantes de la concesión de patentes o registro de modelos de utilidad, quedan reservados.

2.5 Versiones y configuraciones disponibles

Este aparato incorpora una bomba de calor de 1,9 kW y puede configurarse de distintas formas en función de la posible integración de fuentes de calor (p. ej. solar) o dependiendo de la capacidad de la caldera.

Versión	Descripción de la configuración
EKHHE200CV37 EKHHE260CV37	La bomba de calor de aire para producción de agua caliente sanitaria (ACS)
EKHHE200PCV37 EKHHE260PCV37	La bomba de calor de aire para producción de ACS preinstalada para un sistema térmico solar.

3. MANIPULACIÓN Y TRANSPORTE

El equipo se entrega en una caja de cartón(*). Está asegurado a un palé mediante tres tornillos. En las operaciones de descarga, utilice una carretilla elevadora o un vehículo para transporte de palés adecuado. El equipo embalado se puede colocar en horizontal y hacia abajo para facilitar la retirada de los tornillos de anclaje. El desembalaje debe realizarse con sumo cuidado para no dañar la carcasa del equipo si se utiliza un cuchillo o cúter para abrir el embalaje de cartón. Después de retirar el embalaje, compruebe la integridad de la unidad. Si tiene dudas, no utilice la unidad; póngase en contacto con el personal técnico autorizado. Antes de eliminar el embalaje, de acuerdo con la normativa de protección medioambiental en vigor, asegúrese de haber retirado todos los accesorios suministrados.

(* Nota: el tipo de embalaje puede variar a discreción del fabricante.

Durante todo el periodo en el que el equipo permanezca inactivo, esperando la puesta en marcha, se aconseja colocarlo en un lugar protegido de los agentes atmosféricos

3.1 Recepción

Además de las unidades, los embalajes contienen accesorios y documentación técnica para el uso y la instalación. Compruebe que se incluya lo siguiente:

- 1 manual de usuario, instalación y mantenimiento;
- 3 soportes de fijación más tornillos;
- 1 dispositivo de desconexión térmica (solo para EKHHE200PCV3 y EKHHE260PCV3).

Durante todo el periodo en el que el equipo permanezca inactivo, esperando la puesta en marcha, se aconseja colocarlo en un lugar protegido de los agentes atmosféricos.

Posiciones permitidas para el transporte y la manipulación

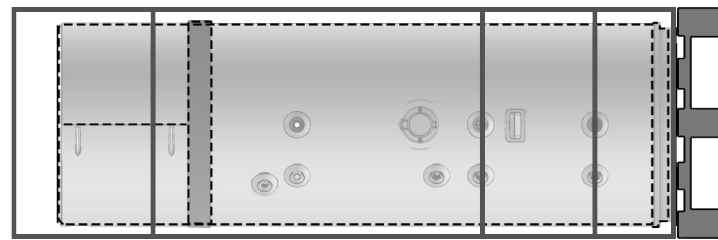


fig. 1

⚠ ATENCIÓN! Durante las fases de manipulación y transporte del producto, la parte superior no debe someterse a ninguna presión o fuerza, puesto que no es estructural.

⚠ ATENCIÓN! El transporte horizontal solo se permite durante el último km según se indica (consulte "Posiciones no permitidas para el transporte y la manipulación"), asegurándose de que los soportes de la parte inferior de la caldera está colocados de forma que no ejerzan presión en la parte superior, puesto que no es estructural. Durante el transporte en horizontal, la pantalla debe estar orientada hacia arriba.

Posición permitida solo durante el último km



Posiciones no permitidas para el transporte y la manipulación

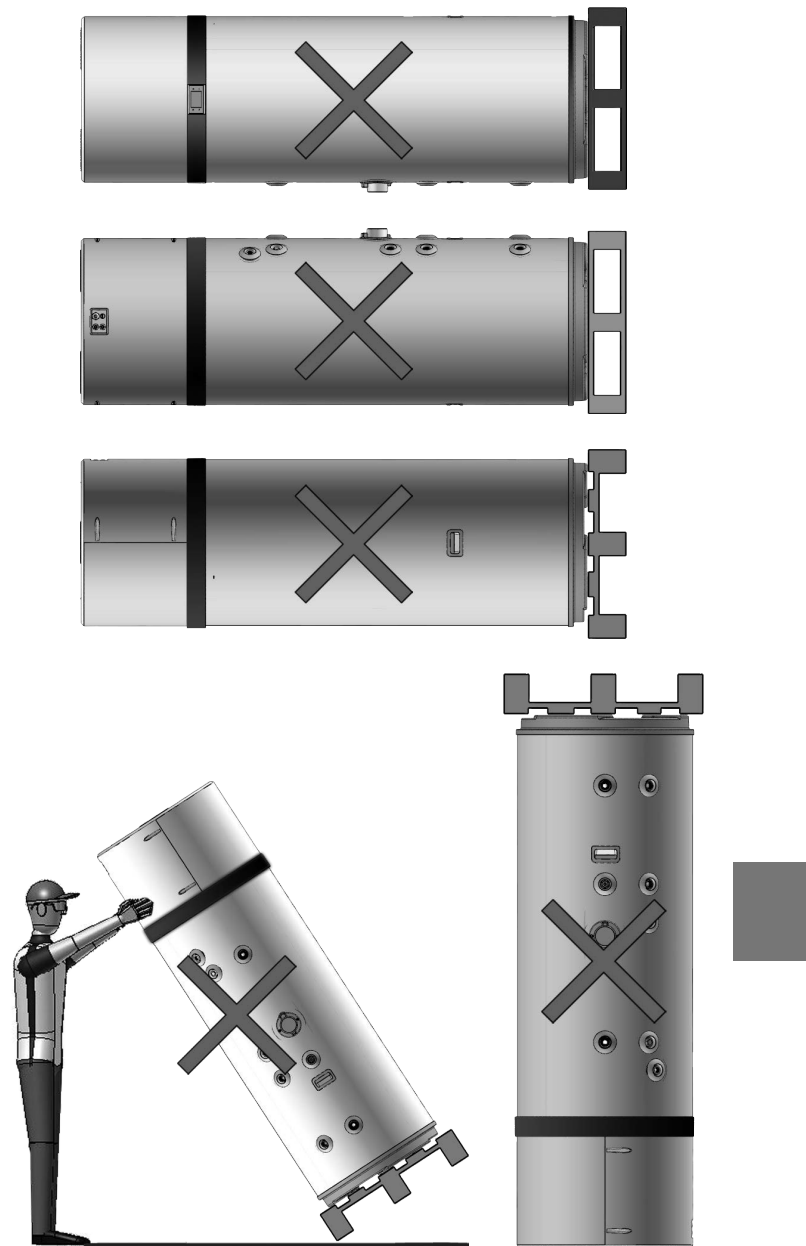


fig. 2

4. CARACTERÍSTICAS DE LA CONSTRUCCIÓN

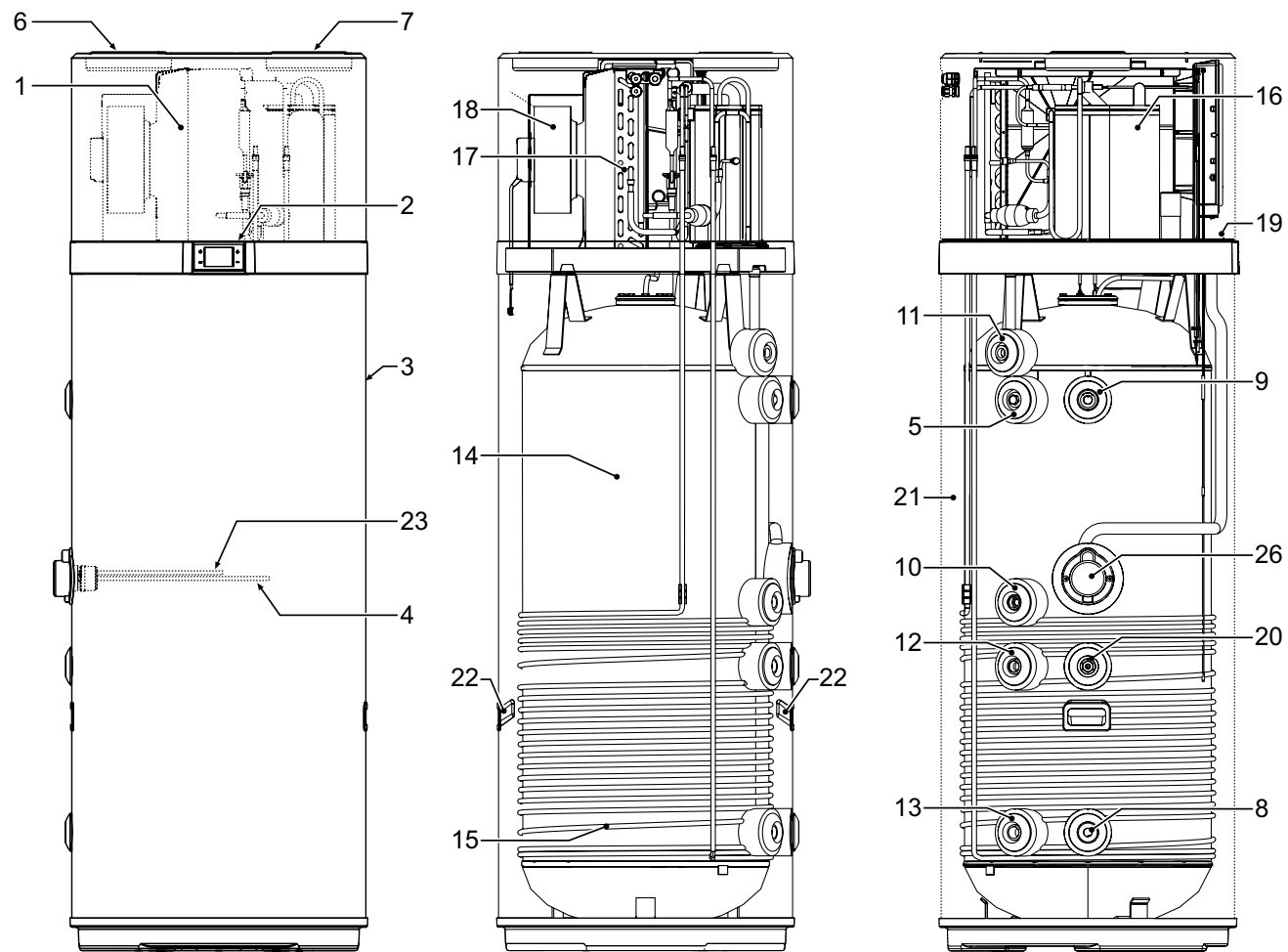


fig. 3

- 1 Bomba de calor
- 2 Interfaz de usuario
- 3 Carcasa de acero
- 4 Elemento calefactor
- 5 Ánodo de magnesio
- 6 Entrada de aire de ventilación (Ø160 mm)
- 7 Salida de aire de ventilación (Ø160 mm)
- 8 Conexión de entrada de agua fría
- 9 Conexión de salida de agua caliente

- 10 Preinstalación para la recirculación
- 11 Drenaje de condensación
- 12 Preinstalación para la entrada de la batería solar
Solo para los modelos **EKHHE200PCV37**
EKHHE260PCV37
- 13 Preinstalación para la salida de la batería solar
Solo para los modelos **EKHHE200PCV37**
EKHHE260PCV37
- 14 Depósito de acero con revestimiento esmaltado vidriado conforme a DIN 4753-3
- 15 Condensador
- 16 Compresor giratorio
- 17 Evaporador con aletas
- 18 Ventilador electrónico
- 19 Sondas de la caldera
- 20 receptáculo para el soporte de sonda del sistema térmico solar -
Solo para los modelos **EKHHE200PCV37**
EKHHE260PCV37
- 21 Aislamiento de poliuretano
- 22 Asas de transporte
- 23 Tubo para el bulbo del termostato de seguridad
- 24 Placa de alimentación
- 26 Compartimento de acceso al elemento calefactor y al bulbo del termostato de seguridad

4.1 Datos dimensionales

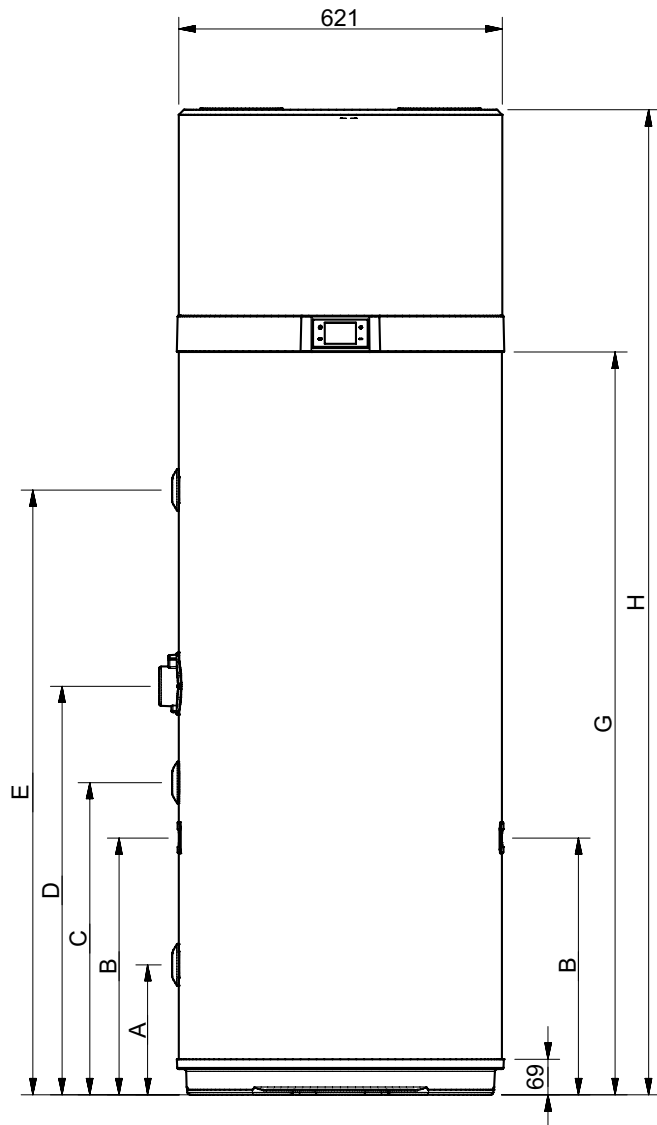


fig. 4

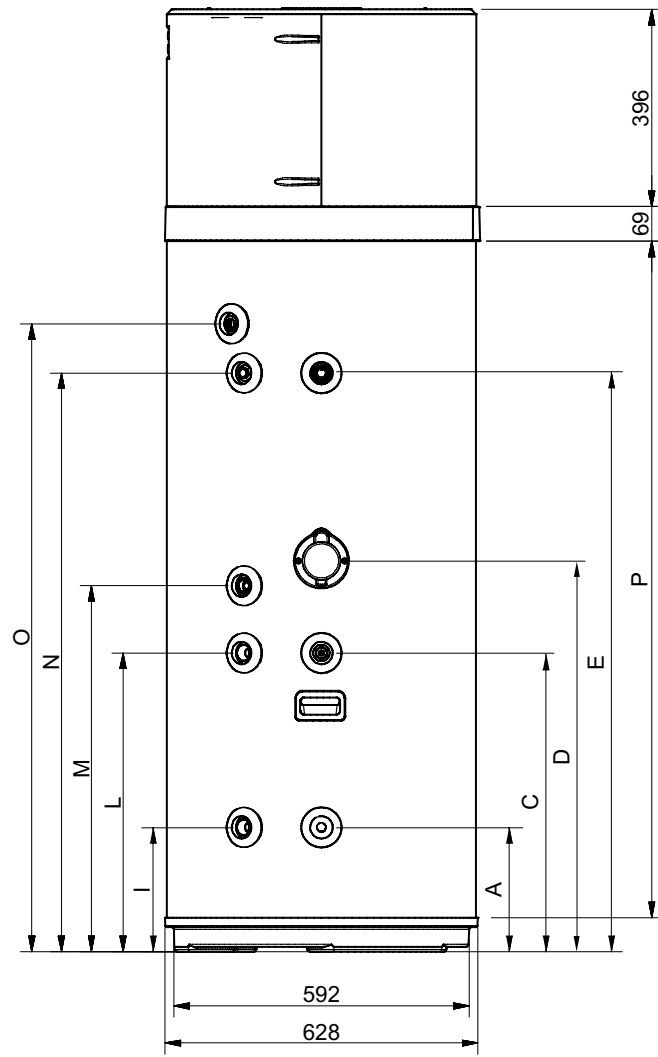


fig. 5

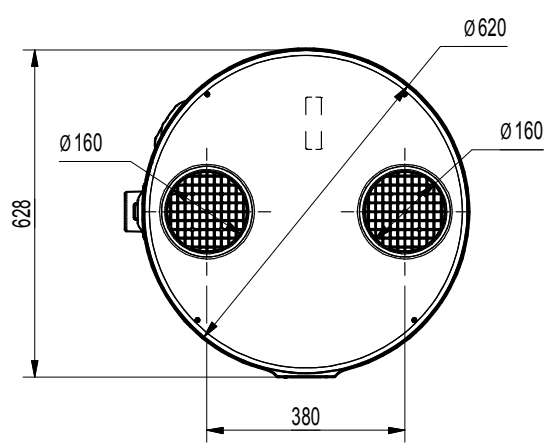


fig. 6

MODELO	Ø	EKHHE200PCV37	EKHHE260PCV37	EKHHE200CV37	EKHHE260CV37	UM
A	1"G	250	250	250	250	mm
B	-	490	493	/	/	mm
C	1/2"G	600	600	600	600	mm
D	-	705	785	705	785	mm
E	1"G	876,5	1162	876,5	1162	mm
G	-	1142	1427	1142	1427	mm
H	-	1607	1892	1607	1892	mm
I	3/4"G	250	250	/	/	mm
L	3/4"G	599	600	/	/	mm
M	3/4"G	705	735	705	735	mm
N	3/4"G	877	1162	877	1162	mm
O*	1/2"G	976	1261	976	1261	mm
P	-	1073	1358	1073	1358	mm

*O: conexión de salida en material plástico

4.2 Características técnicas

Modelo	EKHHE200CV37	EKHHE260CV37	EKHHE200PCV37	EKHHE260PCV37	U.m.				
Datos generales	Tensión de suministro				230 V CA - 50 Hz	-			
	Contenido del depósito de agua - V _{nom}				192	250	187	247	dm ³
	Presión de entrada de agua máxima				0,7	0,7	0,7	0,7	MPa
	Peso en vacío				85	97	96	106	kg
	Peso en funcionamiento				277	347	283	353	kg
	Dimensiones (φxh)				621 x 1607	621 x 1892	621 x 1607	621 x 1892	mm
	Temperatura máxima del agua caliente con la bomba de calor				62	62	62	62	°C
	Temperatura máxima del agua caliente con resistencia eléctrica adicional				75	75	75	75	°C
Depósito	Materiales				Acero esmaltado		-		
	Protección catódica				Ánodo de varilla de Mg		-		
	Tipo de aislamiento				Poliuretano		-		
	Grosor del aislamiento				50	50	50	50	mm
Datos eléctricos de la bomba de calor	Consumo medio de calefacción				430	430	430	430	W
	Consumo máximo				530	530	530	530	W
	Corriente máxima				2,43	2,43	2,43	2,43	A
Datos eléctricos de la resistencia eléctrica	Tensión de suministro				230 V CA - 50 Hz		-		
	Consumo				1500	1500	1500	1500	W
	Corriente				6,5	6,5	6,5	6,5	A
Datos eléctricos de la bomba de calor + resistencia eléctrica	Consumo máximo				1960	1960	1960	1960	W
	Corriente máxima				8,5	8,5	8,5	8,5	A
Circuito de aire	Tipo de ventilador				Centrífugo		-		
	Caudal de volumen de aire				450	450	450	450	m ³ /h
	Presión estática externa disponible				117	117	117	117	Pa
	Diámetro de conductos				160	160	160	160	mm
Circuito de refrigerante	Compresor				Giratorio		-		
	Tuberías de				R134a		-		
	Carga de refrigerante				1	1	1	1	kg
	Evaporador				Batería con aletas de cobre-aluminio		-		
	Condensador				Depósito exterior con devanado de tubos de aluminio		-		
Batería solar	Materiales				-	-	Acero esmaltado	Acero esmaltado	-
	Superficie				-	-	0,72	0,72	m ²
	Presión máx.				-	-	1	1	MPa
Datos según la norma EN 16147: 2017 para climas normales (unidad en modo ECO, Punto de ajuste de agua caliente = 55°C; entrada de agua = 10°C; Temperatura del aire de entrada = 7°C DB / 6°C WB)	Perfil de carga				L	XL	L	XL	-
	Clase de eficiencia energética de calentamiento de agua*				A+	A+	A+	A+	-
	Eficiencia energética de calentamiento de agua - η _{wh}				135	138	135	138	%
	COP _{DHW}				3,23	3,37	3,23	3,37	-
	Volumen máximo de agua mezclada a 40°C - V ₄₀				247	340	241	335	dm ³
	Temperatura del agua caliente de referencia - θ' _{wh}				52,5	53,2	52,5	53,2	°C
	Potencia calorífica nominal - P nominal				1,339	1,249	1,339	1,249	kW
	Tiempo de calentamiento - t _h				06:27	09:29	06:27	09:29	hh:mm
* Según la legislación europea 812/2013	Consumo eléctrico anual - AEC				761	1210	761	1210	kWh
	Consumo en espera (P _{es})				26	28	26	28	W
Datos según EN 12102-2: 2019, modo ECO con temperatura del aire de admisión = 7°C DB / 6°C WB	Nivel de potencia sonora interior				53	51	53	51	dB(A)
	Nivel de potencia sonora exterior				45	44	45	44	dB(A)

5. INFORMACIÓN IMPORTANTE

5.1 Cumplimiento de la normativa europea

Esta bomba de calor es un producto destinado a uso doméstico en cumplimiento de las siguientes directivas europeas:

- Directiva 2012/19/EU (WEEE)
- Directiva 2011/65/EU sobre restricciones a la utilización de determinadas sustancias peligrosas en aparatos eléctricos y electrónicos (RoHS)
- Directiva 2014/30/EU compatibilidad electromagnética (EMC)
- Directiva 2014/35/EU baja tensión (LVD)
- Directiva 2009/125/EC diseño respetuoso con el medio ambiente
- Reglamento 2017/1369/EU etiquetado energético

5.2 Grado de protección de la carcasa

El grado de protección del equipo es: **IP24**.

5.3 Límites de funcionamiento



PROHIBICIÓN! Este producto no está diseñado ni previsto para utilizarse en entornos peligrosos (debido a la presencia de atmósferas potencialmente explosivas (Directiva ATEX) o que requieran un grado de protección IP superior al de la unidad) o en aplicaciones que exijan características de seguridad (tolerancia a fallos, a prueba de fallos) que pueden ser sistemas o tecnologías de soporte vital o en cualquier otro contexto en el que un fallo de funcionamiento de la aplicación pueda provocar la muerte o lesiones a personas o animales o daños graves materiales o medioambientales.



NOTA: si existe la posibilidad de que una avería o fallo del producto pueda provocar daños (a personas, animales u objetos) será conveniente disponer de un sistema de supervisión independiente equipado con funciones de alarma para impedir tales daños. También será necesario preparar la operación de sustitución!



El aparato no está diseñado para instalarse en el exterior, sino en un lugar "cerrado" que no esté expuesto a los elementos.

5.4 Límites de funcionamiento

El producto en cuestión está diseñado exclusivamente para calentar agua para uso sanitarios dentro de los límites que se describen a continuación. Para este fine, debe conectarse a al suministro de agua sanitaria y al suministro eléctrico (consulte el capítulo "6. INSTALACIÓN Y CONEXIONES").

5.4.1 Rango de temperatura

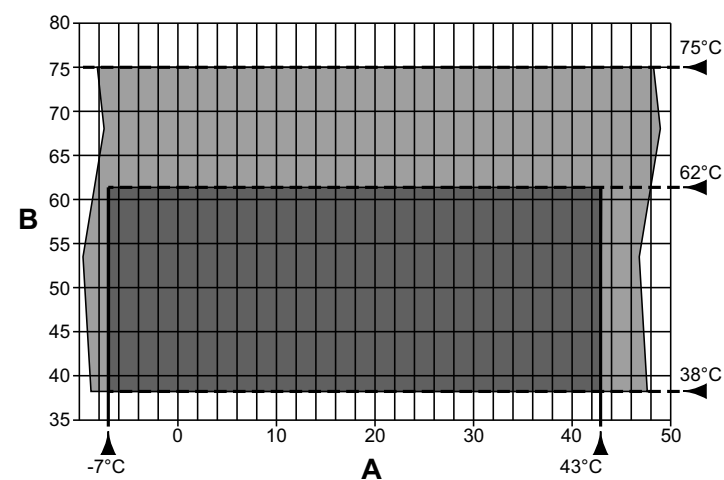


fig. 7- Gráfico

A=Temperatura del aire de entrada (°C)

B=Temperatura del agua caliente (°C)

■ =Límites de funcionamiento de la bomba de calor (HP)

■ =Integración sólo con elemento calefactor

5.4.2 Dureza del agua

La unidad no debe funcionar con agua cuya dureza sea inferior a 12°F; no obstante, con agua particularmente dura (por encima de 25°F), se aconseja utilizar un descalcificador de agua correctamente calibrado y supervisado, en tal caso, la dureza residual no debe bajar de 15°F.



NOTA: en las fases de diseño y construcción de las plantas, deben respetarse las disposiciones de la normativa local en vigor.

5.5 Normas básicas de seguridad

- El producto solo lo deben utilizar adultos;
- No abra ni desmonte el producto cuando esté conectado al suministro eléctrico;
- No toque el producto cuando esté descalzo o con partes húmedas o mojadas del cuerpo;
- No vierta ni pulverice agua sobre el producto;
- No se suba, siente ni coloque ningún objeto sobre el producto.

5.6 Información sobre el refrigerante utilizado

Este producto contiene gases fluorados de efecto invernadero regulados por el Protocolo de Kioto. No vierta estos gases a la atmósfera.

Tipo de refrigerante: HFC-R134a.



NOTA: el mantenimiento y el desecho solo deben ser llevados a cabo por personas cualificadas.

6. INSTALACIÓN Y CONEXIONES

6.1 Preparativos del emplazamiento de instalación

Este producto debe instalarse en un lugar adecuado, p. ej., que permita su uso y ajustes normales, así como el mantenimiento rutinario y especial.

Por lo tanto, debe prepararse el espacio de mantenimiento necesario consultando las dimensiones que se describen en fig. 8 y fig. 9.

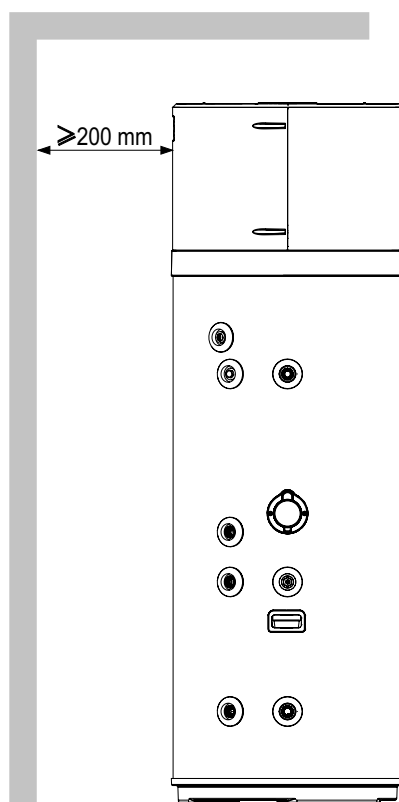


fig. 8- Espacios mínimos

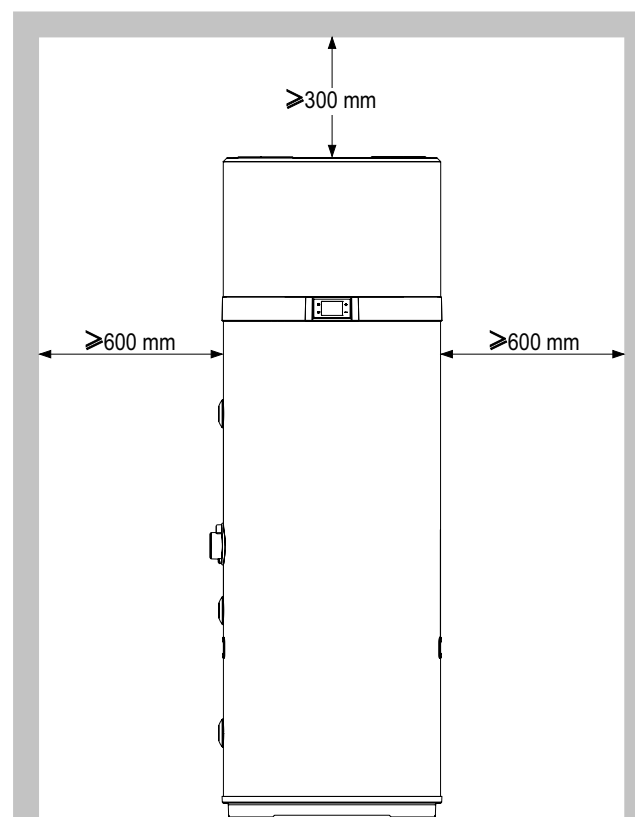


fig. 9- Espacios mínimos

La habitación también debe estar:

- Equipada con líneas de suministro de agua y electricidad adecuadas;
- Preparada para la conexión de descarga de agua de condensación;
- Provista de drenajes de agua adecuados en caso de que la caldera sufra daños, la válvula de seguridad se accione o las conexiones o tuberías se rompan;
- Equipada con sistemas de contención adecuados en caso de fuga de agua importante;
- Suficientemente iluminada (si procede);
- Por debajo de 20 m³ en volumen;
- Protegida contra la escarcha y estar seca.



ATENCIÓN! Para evitar que las vibraciones mecánicas se propaguen, no instale el equipo en suelos con vigas de madera (p. ej. en el ático).

6.2 Fijación en el suelo

Para fijar el producto en el suelo, apriete los soportes incluidos tal y como muestra en fig. 10.

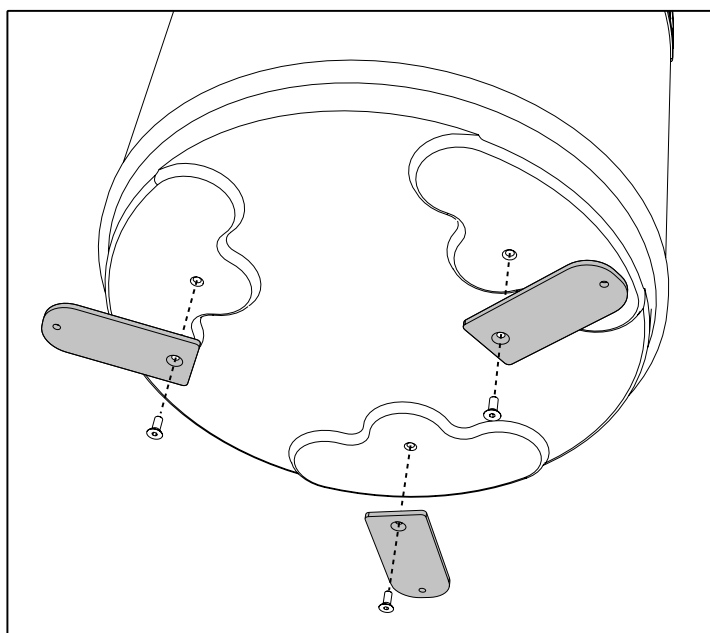


fig. 10- Soportes de fijación

A continuación, fije la unidad en el suelo con la ayuda de conectores adecuados, no incluidos, tal y como muestra en fig. 11.

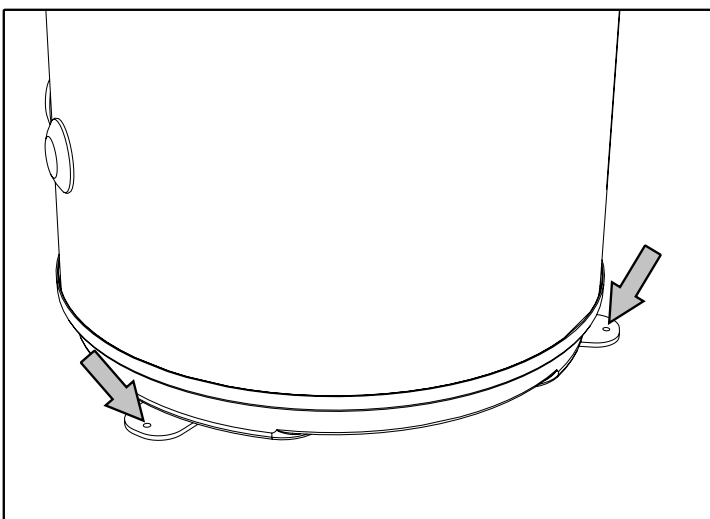


fig. 11- Fijación en el suelo

6.3 Conexiones aerólicas

Además de los espacios que se indican en 6.1, la bomba de calor requiere una ventilación de aire adecuada. Construya un canal de aire específico tal como se indica en fig. 12.

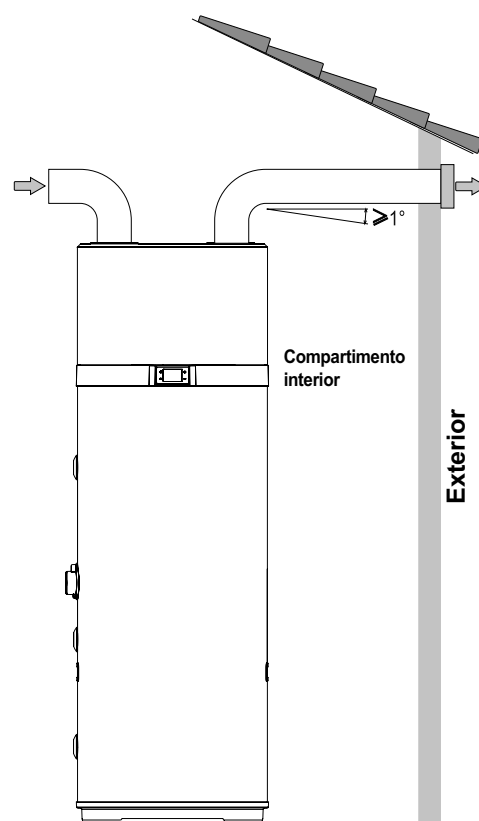


fig. 12- Ejemplo de conexión de salida de aire

También es importante garantizar una ventilación adecuada en la habitación donde se instale la unidad. En la siguiente ilustración, se muestra una solución alternativa (fig. 13): proporciona un conducto secundario que extrae el aire desde el exterior en lugar de directamente desde el interior de la habitación.

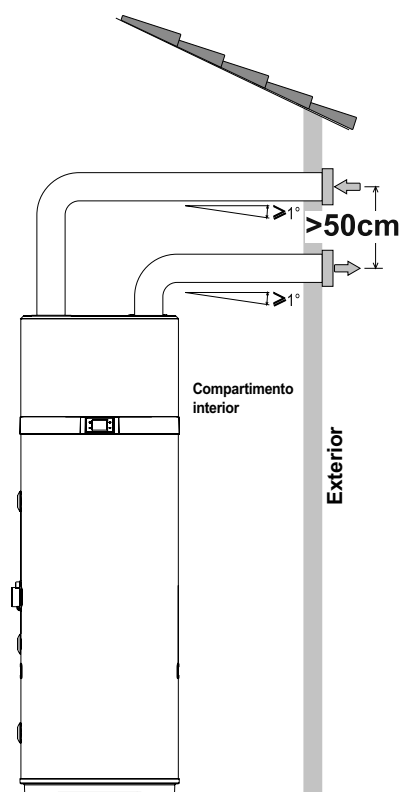


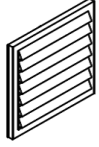


fig. 13- Ejemplo de conexión de salida de aire

Instale cada canal de aire, asegurando que:

- No oprima al equipo con su peso.
- Permita operaciones de mantenimiento.
- Esté adecuadamente protegido para evitar la entrada accidental de materiales dentro del equipo.
- La conexión al exterior debe realizarse mediante tuberías adecuadas que no sean inflamables.
- La longitud equivalente total de las tuberías de extracción más las de suministro, incluyendo las rejillas, no debe exceder los 12 m.

La tabla muestra los datos característicos de los componentes para conductos comerciales haciendo referencia a los flujos de aire nominales y a los diámetros 160 mm.

Datos	Tubería recta lisa	Tubería de 90° lisa	Rejilla	UM
Tipo				
Longitud efectiva	1	1	1	m
Longitud equivalente	1	2	2	m

i Durante el funcionamiento, la bomba de calor tiende a reducir la temperatura ambiente si los conductos del aire no van hacia el exterior.

i Se debe instalar una rejilla de protección adecuada en la tubería de extracción de aire al exterior para impedir que cuerpos extraños entren dentro del equipo. Para garantizar el máximo rendimiento del producto, debe seleccionarse una rejilla con una pérdida de presión baja.

i Para evitar la formación de condensación de agua: aisle las tuberías de extracción de aire y las conexiones de la cubierta de aire de los conductos mediante una cubierta a prueba de vapor de agua del grosor adecuado.

i Instale silenciadores, en caso necesario, para evitar el ruido del flujo. Equipe las tuberías, las tomas de pared y las conexiones a la bomba de calor con sistemas de amortiguación de vibraciones.

6.3.1 Instalación especial

Una de las peculiaridades de los sistemas de calefacción de la bomba de calor es que estas unidades reducen considerablemente la temperatura del aire, que se expulsa fuera de la casa. Puesto que es más frío que el aire ambiente, el aire expulsado también se deshumidifica completamente, por lo tanto, el flujo de aire puede devolverse al interior para refrigerar habitaciones o áreas específicas en verano.

La instalación proporciona la división de la tubería de extracción, que está equipada con dos compuertas ("A" y "B") para dirigir el flujo de aire hacia el exterior (fig. 15) o el interior de la casa (fig. 14).

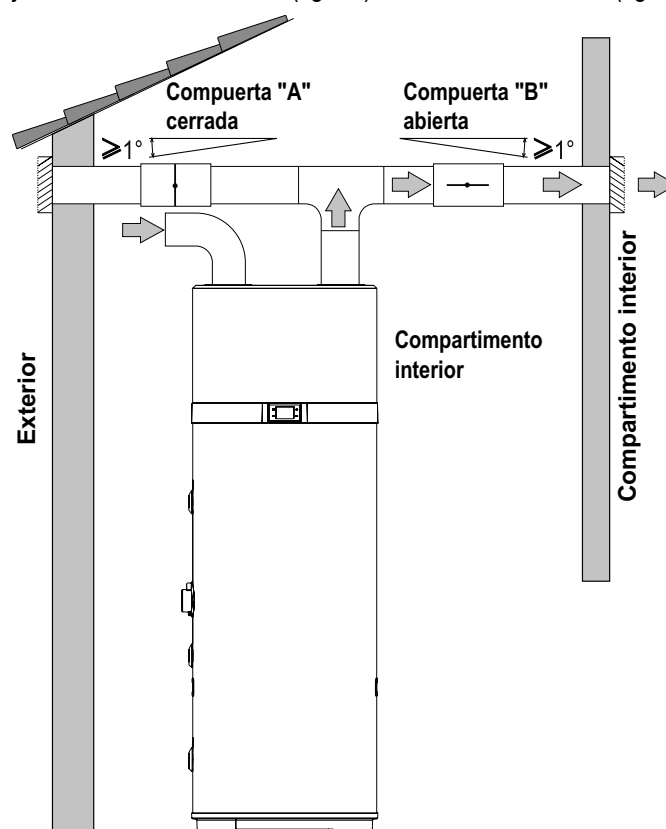


fig. 14- Ejemplo de instalación para la temporada estival

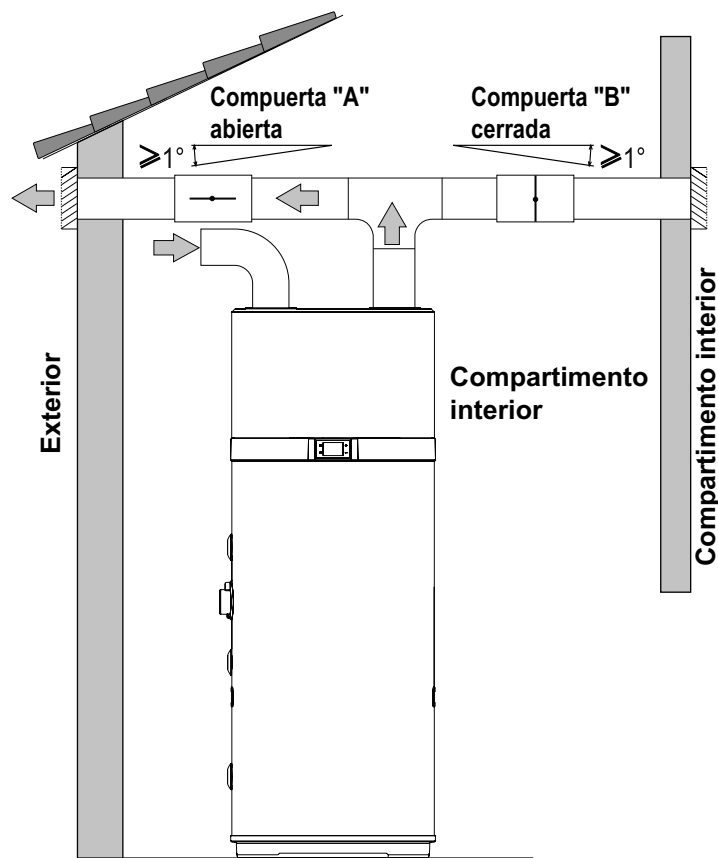


fig. 15- Ejemplo de instalación para la temporada invernal

6.4 Fijación y conexiones de este aparato

El producto debe instalarse sobre un suelo nivelado y estable que no esté sujeto a vibraciones.

6.5 Conexiones hidráulicas

Conecte la línea de suministro de agua fría y la línea de salida a los puntos de conexión apropiados (fig. 16).

La siguiente tabla muestra las características de los puntos de conexión.

Ref.	Función	Modelo 200 I / 260 I
1	Entrada de agua fría	1" G
2*	Salida de la batería solar	3/4" G
3*	Entrada de la batería solar	3/4" G
4	Recirculación	3/4" G
5	Salida de agua caliente	1" G
6	Drenaje de condensación	1/2" G
A*	Pozo para sonda solar y dispositivo de desconexión térmica	1/2" G

*: solo para los modelos EKHHE200PCV37 y EKHHE260PCV37.

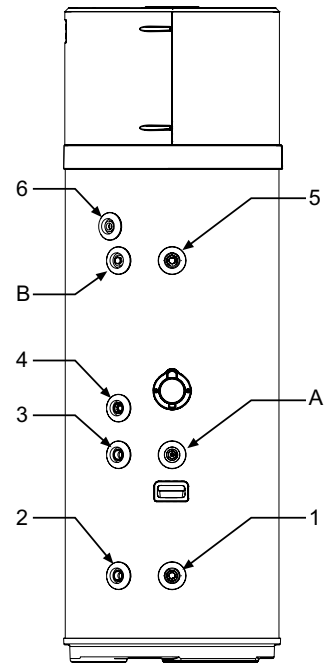


fig. 16

La siguiente ilustración (fig. 17) muestra un ejemplo de la conexión de las tuberías.

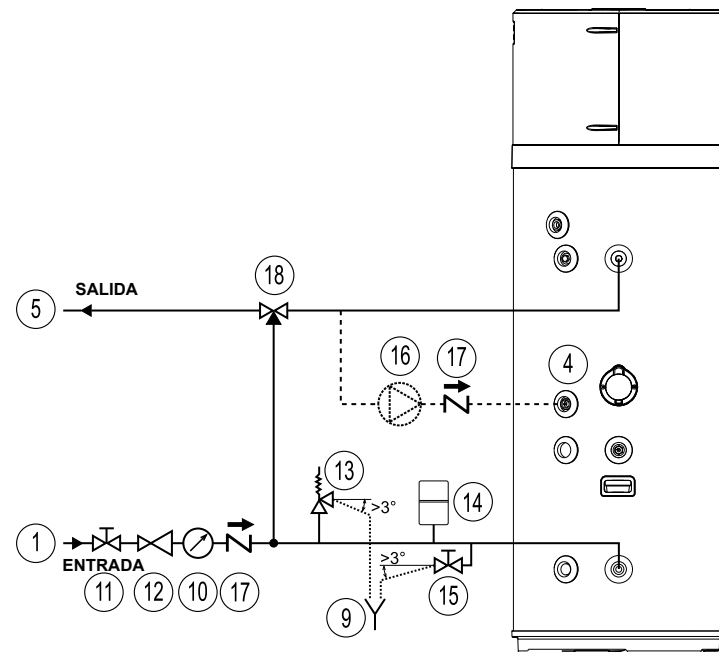


fig. 17- Ejemplo de sistema de agua

Leyenda (fig. 17)

- | | | | |
|----|--|----|---|
| 1 | Tubería de entrada de agua | 12 | Regulador de presión |
| 4 | Entrada de agua de recirculación | 13 | Válvula de seguridad |
| 5 | Tubería de salida de agua caliente | 14 | Depósito de expansión |
| 9 | Extremo de inspección del tubo de descarga | 15 | Toma para drenaje |
| 10 | Indicador de presión | 16 | Bomba de recirculación |
| 11 | Válvula de aislamiento | 17 | Válvula de retención con resorte |
| | | 18 | Equipo de mezcla de termostato automático |

6.5.1 Conexión de drenaje de condensación

La condensación que se forma durante el funcionamiento de la bomba de calor fluye a través de un tubo de drenaje especial (1/2"G) que pasa por dentro de la carcasa de aislamiento y que sale por un lateral del equipo.

Debe conectarse, a través de una trampilla, a un conducto de forma que el condensado pueda fluir normalmente (fig. 18).

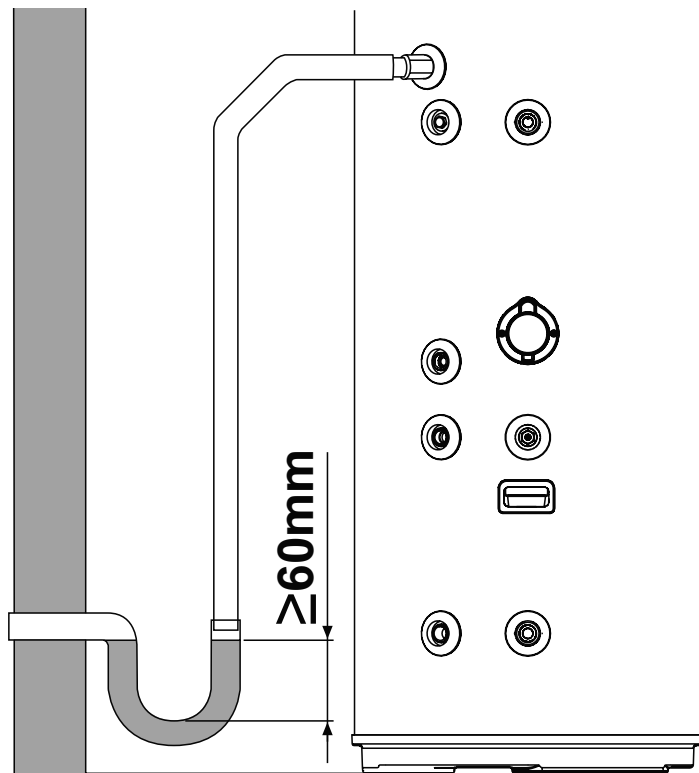


fig. 18- Ejemplos de conexión de drenaje de condensación a través de una trampilla

6.6 Integración con el sistema térmico solar (solo para los modelos EKHHE200PCV37 y EKHHE260PCV37)

La siguiente ilustración (fig. 19) muestra cómo conectar el equipo a un sistema térmico solar controlado por un controlador electrónico dedicado (no se incluye) que cuente con una toma de tipo "contacto sin tensión" para conectar a la entrada DIG.1 del equipo (consulte "6.7.1 Conexiones remotas").

Para utilizar el equipo en esta configuración es necesario establecer el parámetro **P16=1** (consulte el par. 8.1).

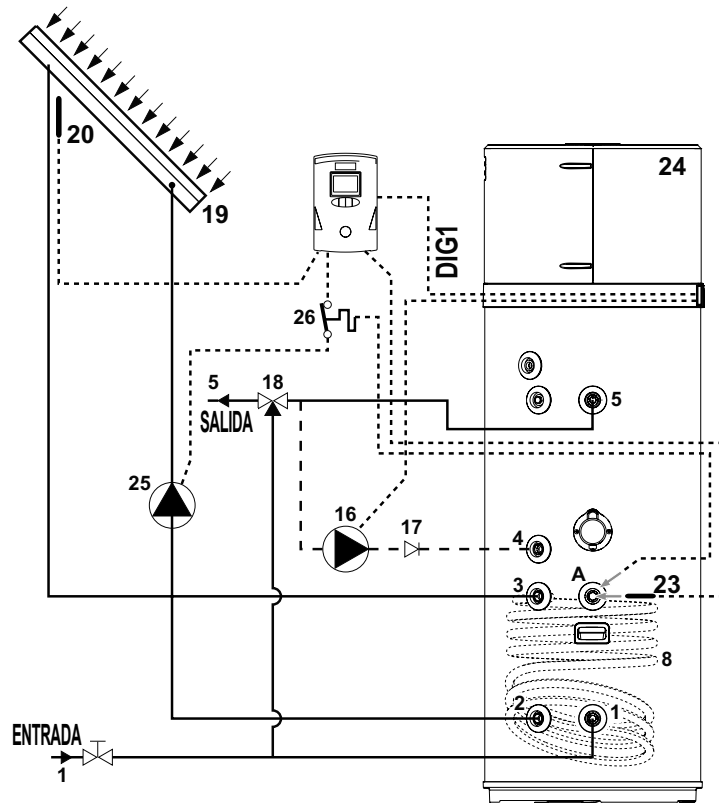


fig. 19

Las siguientes ilustraciones (fig. 20 y fig. 21) muestran cómo conectar el equipo a un sistema térmico solar controlado directamente por este último, sin necesidad de un controlador electrónico dedicado.

En la configuración de fig. 20, en caso de exceso de temperatura del colector solar, se activa una válvula de drenaje (no se incluye) para descargar el agua caliente que contiene el equipo en el depósito de almacenamiento de ACS (acumulador).

En la configuración de fig. 21, sin embargo, el obturador del colector solar se cierra en esta condición.

En ambos casos esto ocurre para permitir que el colector se enfríe.

Para utilizar el equipo en estas dos configuraciones, es necesario establecer el parámetro **P12=2** y **P16=2** (consulte el par.8.1).

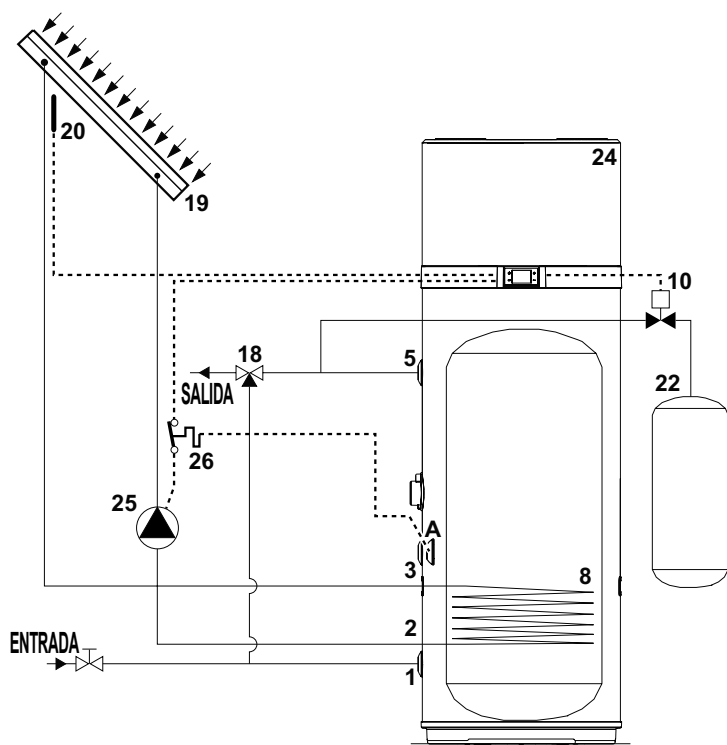


fig. 20

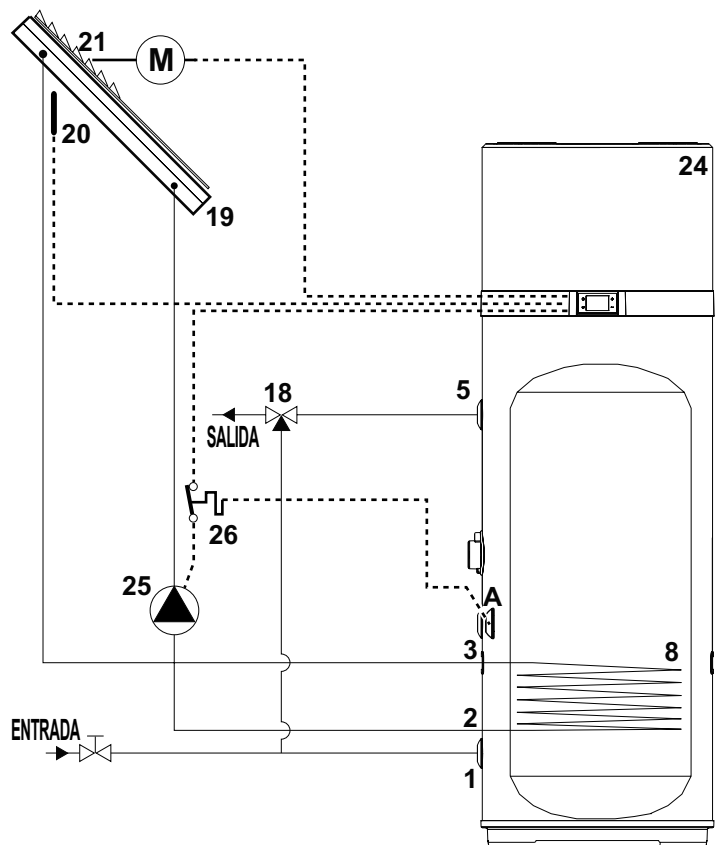


fig. 21

Leyenda (fig. 19, fig. 20 y fig. 21)

- | | |
|---|--|
| 1 Entrada de agua fría | 21 Obturador del colector solar |
| 2 Salida de la batería solar | 22 Depósito acumulador de ACS |
| 3 Entrada de la batería solar | 23 Sonda del colector solar (no se incluye) |
| 4 Recirculación | 24 Bomba de calor |
| 5 Salida de agua caliente | 25 Bomba solar (tipo ENCENDIDO/APAGADO) |
| 8 Batería térmica solar | 26 Dispositivo de desconexión térmica (se incluye) para la bomba solar |
| 10 Válvula de drenaje | A Pozo para sonda solar y dispositivo de desconexión térmica |
| 16 Bomba de recirculación (Tipo ENCENDIDO/APAGADO) | |
| 17 Válvula de retención | |
| 18 Dispositivo de mezcla de termostato automático | |
| 19 Colector solar | |
| 20 Sonda del colector solar (PT1000 no se incluye*) | |

* **Aconsejamos utilizar la sonda de colector solar PT1000 (disponible en la lista de accesorios del fabricante)**

6.7 Conexiones eléctricas

Antes de conectar el aparato a la red de CA, se debe comprobar el sistema eléctrico para verificar que cumpla con la normativa en vigor y que pueda soportar los valores máximos de consumo de potencia del calentador de agua (consulte el párrafo 4.2 para conocer las características técnicas), en términos de tamaño de los cables y su cumplimiento de la normativa vigente.

El aparato recibe alimentación eléctrica a través de un cable de suministro eléctrico con un enchufe Schuko (fig. 23) y para la conexión a la red CA se necesita:

- una toma de pared Schuko con toma de tierra y protección independiente (fig. 22);
- un disyuntor de circuito omnipolar de 16 A con una apertura de contacto de, al menos, 3 mm;
- un disyuntor diferencial de 30 mA.

Está prohibido utilizar tomas de varias salidas, cables alargadores o adaptadores.

Está prohibido utilizar tubos de los sistemas de agua, calefacción o gas para la conexión a tierra del equipo.

Antes de utilizar la máquina, asegúrese de que la tensión de la red eléctrica se ajusta al valor indicado en la placa de datos del equipo. El fabricante del equipo no se hace responsable de daños provocados por una mala conexión a tierra del sistema o anomalías en el suministro eléctrico.

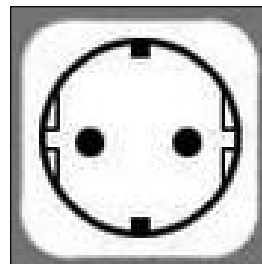


fig. 22 - Toma Schuko

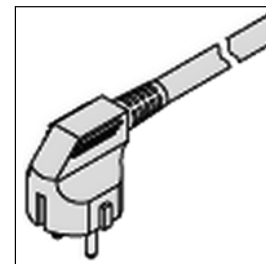


fig. 23 - Enchufe de la unidad

6.7.1 Conexiones remotas

El equipo está diseñado para conectarse a sistemas de energía remotos o medidores de energía (sistema térmico solar, sistema fotovoltaico, función de baja demanda)

ENTRADAS

- Digital 1 (**DIG1**). Entrada digital para el sistema térmico solar (*solo para los modelos PCV3*). En caso de un sistema térmico solar con unidad de control dedicada, esta última se puede conectar al equipo para desactivar la bomba de calor cuando no se produzca energía a partir de una fuente solar. Si se cuenta con un contacto sin tensión que se cierra cuando el sistema solar está activo, puede conectarse los dos cables **blanco** y **marrón** del cable de 6 núcleos suministrado con el equipo.

Establezca el parámetro **P16=1** para activar el suplemento con sistema térmico solar.

- Digital 2 (**DIG2**). Entrada digital para sistema fotovoltaico. En caso de un sistema fotovoltaico conectado a la planta, este se puede utilizar para sustraer energía en forma de agua caliente cuando haya un exceso de producción. Si hay un contacto sin tensión, p. ej. desde el inverter, que se cierra cuando hay un exceso de producción de energía, este se puede conectar a los cables **verde** y **amarillo** del cable de 6 núcleos suministrado con el equipo.

Establezca el parámetro **P23=1** para activar el suplemento con sistema fotovoltaico.

- Digital 3 (**DIG3**). Entrada para la función de demanda baja. Esta función, solo disponible en algunos países, permite activar el equipo solo cuando reciba una señal externa de tarifa preferente. Si el contactor eléctrico cuenta con un contacto sin tensión que se cierra cuando hay una tarifa preferente disponible, puede conectarse los dos cables **gris** y **rosa** del cable de 6 núcleos suministrado con el equipo.

Establezca el parámetro **P24=1** para activar la función de baja demanda en el modo ECO o el **P24=2** para activar la función de baja demanda en el modo AUTO.

- Entrada digital (**LPSW**) para el interruptor de caudal del sistema térmico solar/bomba de circulación de ACS (no se incluye)
- Entrada analógica (**PT1000**) para la sonda del colector solar.

SALIDAS

Salida de relé de 230 V CA y 16 A con contacto N.A. Para sistema térmico solar/bomba de circulación de ACS (tipo ENCENDIDO/APAGADO).

Salida de relé de 230 V CA y 5 A con contacto N.A. obturador del colector solar/válvula de drenaje.

Solo para los modelos PCV3



Nota: para obtener más información sobre las conexiones remotas y la configuración del equipo con estos sistemas, consulte el pár. "7.5 Modo de funcionamiento" y "8.1.1 Lista de parámetros del equipo".

6.7.1.1 Conexión remota

Para la conexión a las entradas digitales, el equipo viene provisto de un cable de 6 núcleos adicional previamente conectado a la PCBA de la interfaz de usuario (ubicada dentro del dispositivo). Las conexiones remotas a los posibles sistemas de energía son responsabilidad de un instalador cualificado (cajas de conexión, terminales y cables de conexión).

Las siguientes ilustraciones proporcionan un ejemplo de conexión remota (fig. 24 y fig. 25) que no debe ser superior a **3 m**.

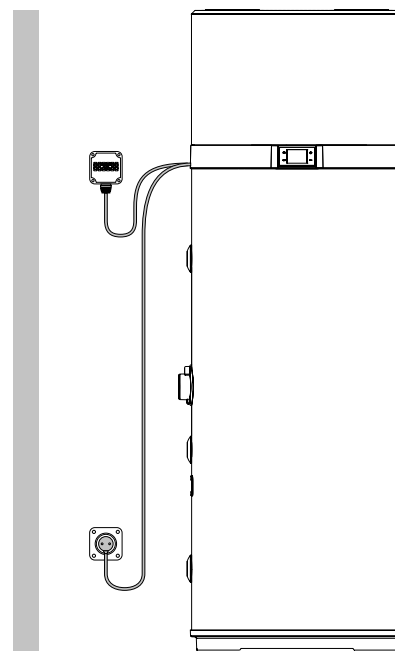


fig. 24- Ejemplo de conexión remota

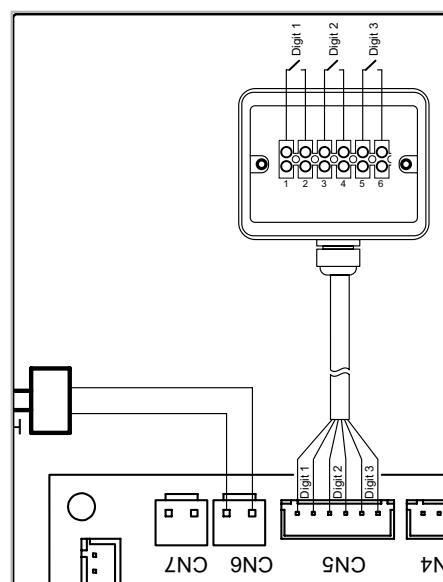


fig. 25

Para acceder al cable de 6 núcleos para la conexión remota, retire la cubierta superior de la caldera y busque el exterior del cable especial instalado en la cubierta trasera.

6.8 Diagrama de cableado

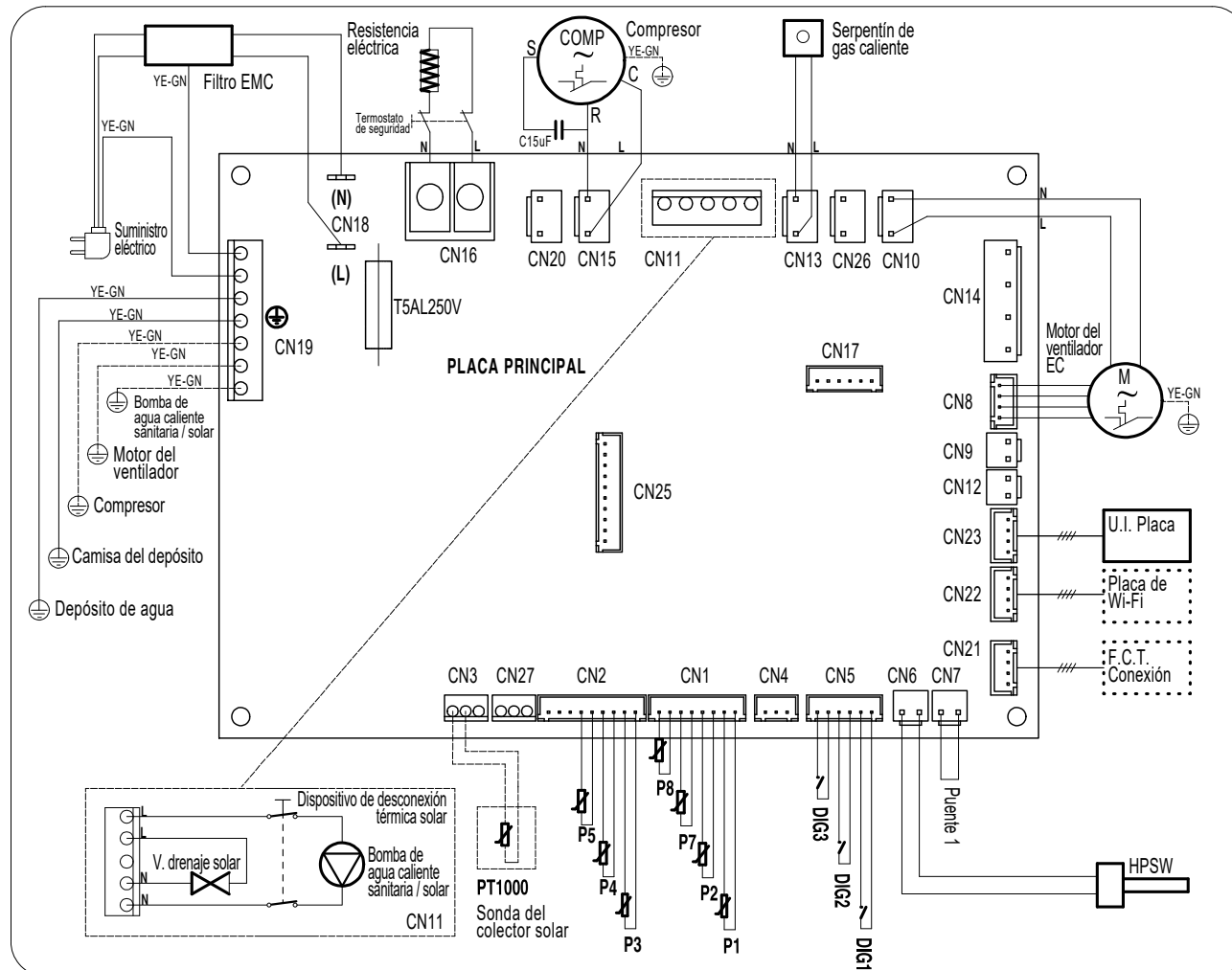


fig. 26- Diagrama de cableado del equipo

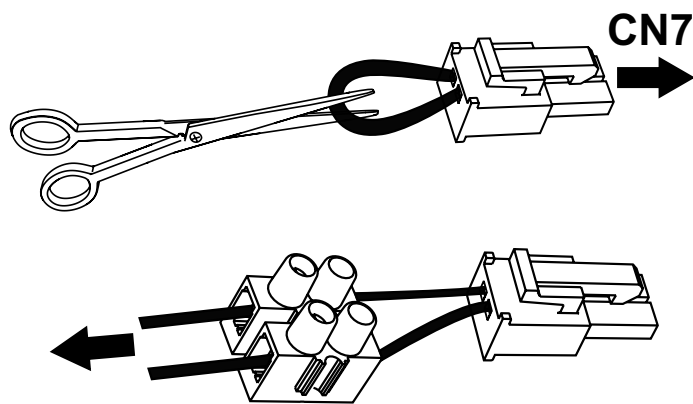
Descripción de las conexiones disponibles en la placa de alimentación

CN1	Sondas NTC para aire, descongelación y agua	CN13	Suministro eléctrico de la válvula de descongelación de gas caliente
CN2	No se utiliza	CN14	No se utiliza
CN3	Sonda para la gestión del sistema térmico solar - <i>Solo para los modelos PCV3</i>	CN15	Suministro eléctrico del compresor
CN4	No se utiliza	CN16	Suministro eléctrico del elemento calefactor
CN5	Entradas digitales solares, sistema fotovoltaico, función de baja demanda	CN17	No se utiliza
CN6	Interruptor de alta presión	CN18	Suministro eléctrico principal, 230 V, monofásico, 50 Hz
CN7	Interruptor de caudal para sistema térmico solar/bomba de circulación de ACS (no se incluye)	CN19	Conexiones de tierra
CN8	Control de modulación por ancho de pulsos (PWM) del ventilador electrónico (EC)	CN20	Suministro eléctrico de 230 V para convertidor de ánodo de corriente impresa
CN9+CN12	No se utiliza	CN21	Conexión al extremo de la línea de inspección/prueba
CN10	Suministro eléctrico del ventilador EC, AC	CN22	Conexión de la tarjeta WI-FI (no se incluye)
CN11	Sistema térmico solar/bomba de circulación de ACS (tipo ENCENDIDO/APAGADO), válvula de drenaje u obturador del colector solar - <i>Solo para los modelos PCV3</i>	CN23	Conexión de la interfaz de usuario
		CN25	No se utiliza

Para conectar un interruptor de caudal de seguridad para sistema térmico solar/circuito de recirculación de agua caliente al equipo, procesa de la siguiente manera (solo para personal técnico cualificado):

- Desconecte el suministro eléctrico al equipo.
- Retire la cubierta superior del equipo y a continuación la cubierta de la placa de alimentación.
- Desconecte el "jumper" (puente 1) del conector CN7 de la placa de alimentación, después corte el conductor que forma el puente por el medio y conecte un terminal adecuado.
- A continuación, conecte un interruptor de caudal de tipo normalmente cerrado (N.C.) y conecte todo al CN7.
- Vuelva a montar todos los componentes plásticos y asegúrese de que el equipo esté correctamente instalado antes de conectarlo al suministro eléctrico.

Si, en cambio, se utiliza un interruptor de caudal de tipo normalmente abierto (N.A.), será necesario establecer el parámetro **P15=1** (consulte el pár.8.1).



Para conectar el dispositivo de desconexión térmica (suministrado) para la bomba de circulación solar, proceda de la siguiente manera (solo para personal técnico cualificado):

- Desconecte el suministro eléctrico al aparato;
- Coloque el bulbo completamente dentro del hueco del depósito específico ("A") y cierre el prensaestopas del cable;
- Desenrolle el tubo capilar lo necesario para colocar el dispositivo de desconexión térmica dentro del alojamiento adecuado fijado a la pared;
- Conecte el dispositivo de desconexión térmica en serie con las conexiones de suministro eléctrico línea ("L") y neutro ("N") de la bomba de circulación solar, para la desconexión omnipolar.
- Verifique todas las conexiones antes de conectar el suministro eléctrico al aparato.

7. DESCRIPCIÓN DE LA INTERFAZ DE USUARIO Y FUNCIONAMIENTO DEL EQUIPO

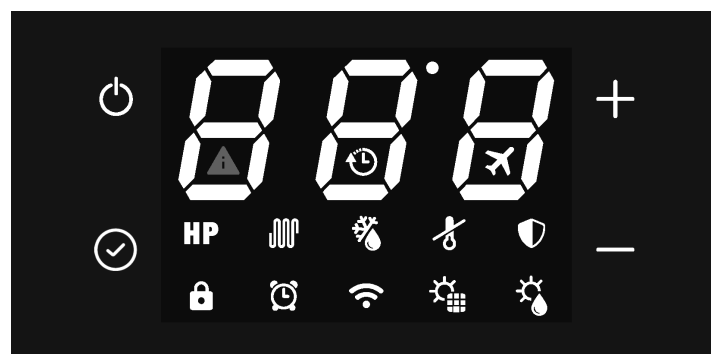


fig. 27

Descripción	Símbolo
Botón "Encendido/Apagado" para encender el aparato, establecerlo en modo de espera, desbloquear botones, guardar cambios	
Botón "Establecer" para editar el valor del parámetro, conformar;	
Botón "Aumentar" para aumentar el valor del punto de consigna, el parámetro o la contraseña	+
Botón "Disminuir" para disminuir el valor del punto de consigna, el parámetro o la contraseña	-
Funcionamiento de la bomba de calor (modo ECO)	HP
Funcionamiento del elemento calefactor (modo ELÉCTRICO)	
Modo AUTOMÁTICO	HP +
Modo de REFUERZO (los símbolos parpadean)	HP +
Botón de bloqueo activado	
Descongelación	
Protección contra heladas	
Ciclo antilegionela	
Modo vacaciones;	
Funcionamiento con intervalos de tiempo	
Ajuste del reloj (el símbolo parpadea)	
Conexión a través de WI-FI (no disponible para estos modelos)	
Modo fotovoltaico (con el símbolo parpadeando, el suplemento no está activo)	
Modo térmico solar (con el símbolo parpadeando, el suplemento no está activo)	
Avería o protección activa	
Modo de baja demanda (con el símbolo parpadeando el equipo permanece en espera)	

La interfaz de usuario de este modelo de calentador de agua consta de cuatro botones capacitivos y una pantalla LED.

Tan pronto como el calentador de agua recibe alimentación, los cuatro botones se retroiluminan y todos los iconos y segmentos de pantalla se iluminan simultáneamente durante 3 s.

Durante el funcionamiento normal del producto, los tres dígitos en pantalla muestran la temperatura del agua en °C, medida con la sonda de temperatura de agua superior si el parámetro P11 está establecido en 1 o con la sonda de temperatura de agua inferior si P11=0.

Durante la modificación del punto de consigna del modo de funcionamiento seleccionado, la temperatura del punto de consigna se muestra en pantalla.

Los iconos indican el modo de funcionamiento seleccionado, la presencia o no de alarmas, el estado de la conexión Wi-Fi y otra información sobre el estado del producto.

7.1 Activación y desactivación del calentador de agua y desbloqueo de botones

Cuando el calentador de agua recibe suministro eléctrico correctamente, este se "ENCIENDE" en uno de los modos de funcionamiento disponibles (ECO, Automático, etc.) o en modo de espera.

En el modo de espera, los cuatro botones capacitivos se retroiluminan para facilitar la visibilidad, el icono de Wi-Fi se enciende en función del estado de conexión con un router Wi-Fi externo (no se incluye) y, cuando no hay activada ninguna alarma ni protección contra la congelación, todos los demás iconos, así como los segmentos de tres dígitos, están apagados.

Activación

Con el calentador de agua en modo de espera y la función "bloqueo de botones" activada (icono de candado en la parte inferior izquierda encendido), primero es necesario "desbloquear" los botones pulsando el botón de ENCENDIDO/APAGADO durante, al menos, 3 segundos (el icono de candado se apaga), luego volver a pulsar el botón de ENCENDIDO/APAGADO durante 3 segundos para encender el calentador de agua.



Desactivación


Con el calentador de agua encendido y la función "bloqueo de botones" activada, primero es necesario "desbloquear" los botones pulsando el botón de ENCENDIDO/APAGADO durante, al menos, 3 segundos, luego volver a pulsar el botón de ENCENDIDO/APAGADO durante 3 segundos para apagar el calentador de agua (modo de espera).


Sea cual sea el estado, 60 segundos después de la última pulsación de cualquiera de los cuatro botones de la interfaz de usuario, la función de bloqueo de botones se activa automáticamente para evitar posibles interacciones con el calentador de agua, p. ej. niños jugando, etc. Al mismo tiempo, el nivel de retroiluminación de los botones y la pantalla disminuye para reducir el consumo de energía de la unidad.

Al pulsar cualquiera de los cuatro botones, la retroiluminación de los botones y la pantalla volverá inmediatamente a su nivel normal para mejorar la visibilidad.

7.2 Ajuste del reloj

Con los botones desbloqueados, pulse el botón  durante 3 segundos para acceder a los ajustes del reloj (el símbolo  parpadea).

Ajuste la hora con los botones "+" y "-", pulse "  " para confirmar y a continuación, ajuste los minutos.


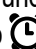
Pulse el botón  para confirmar y salir.


7.3 Ajuste de los intervalos de tiempo


Antes de activar los intervalos de tiempo, la hora del equipo debe ajustarse.


Seleccione el modo de funcionamiento deseado y ajuste los intervalos de tiempo.

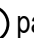
Los intervalos de tiempo solo se pueden activar en los modos ECO - AUTOMÁTICO - REFUERZO - ELÉCTRICO y VENTILACIÓN.

Con los botones liberados, pulse el botón  y el botón "-" conjuntamente durante 3 segundos para ajustar los intervalos de tiempo (se muestra el símbolo .

Ajuste la hora de encendido con los botones "+" y "-", pulse "  " para confirmar y a continuación, ajuste los minutos de encendido.




Pulse  para confirmar y vaya al ajuste de tiempo de apagado.

Pulse  para confirmar, a continuación, mediante los botones "+" y "-", seleccione el modo de funcionamiento deseado para el intervalo de tiempo (ECO, AUTOMÁTICO, REFUERZO, ELÉCTRICO, VENTILACIÓN).

Pulse  para confirmar y salir.


Nota: cuando concluye el intervalo de tiempo, el equipo entra en modo de espera y permanece así hasta la repetición del intervalo de tiempo al día siguiente



Para desactivar los intervalos de tiempo:

- ajuste las horas de encendido y apagado en la medianoche (00:00);
- pulse  para confirmar;
- pulse el botón  y el botón "-" a la vez durante 3 segundos (el símbolo  se apaga).

7.4 Ajuste del punto de consigna del agua caliente

Es posible ajustar el punto de consigna de agua caliente en los modos ECO, AUTOMÁTICO, REFUERZO y ELÉCTRICO

Seleccione el modo deseado con el botón , a continuación ajuste el punto de consigna con los botones "+" y "-".

Pulse el botón  para confirmar y  para salir.


Modo	Puntos de consigna del agua caliente	
	Rango	Por defecto
ECO	43-62°C	55°C
AUTOMÁTICO	43-62°C	55°C
REFUERZO	43-75°C*	55°C
ELÉCTRICO	43-75°C	55°C

* En el modo de REFUERZO, el valor de punto de consigna máximo para la bomba de calor es de 62°C. Por lo tanto, ajustando un valor más alto este solo se tiene en cuenta para el elemento calefactor.

7.5 MODO DE FUNCIONAMIENTO

En este calentador de agua están disponibles los siguientes modos:

- ECO;
- REFUERZO;
- ELÉCTRICO;
- VENTILACIÓN;
- VACACIONES;
- AUTOMÁTICO.

El equipo está ajustado en el modo ECO. Al pulsar el botón  es posible seleccionar el modo deseado.

Para los modos ECO, REFUERZO y AUTOMÁTICO, al pulsar los botones "+" y "-" a la vez durante 3 segundos es posible activar el "modo silencioso" (por ejemplo de noche), lo que reduce el ruido del equipo. En este modo, la capacidad de calentamiento del agua puede disminuir.

Para desactivar este modo, pulse los botones "+" y "-" de nuevo durante 3 segundos.

7.5.1 ECO


La pantalla muestra el símbolo **HP**

Con este modo, la bomba de calor solo se utiliza dentro de los límites de funcionamiento para garantizar el máximo ahorro de energía.

La bomba de calor se enciende 5 minutos después de seleccionar este modo o después del último apagado.

En caso de apagar, en los primeros 5 minutos, la bomba de calor permanecerá encendida, al menos, 5 minutos de funcionamiento continuo.

7.5.2 REFUERZO

La pantalla muestra los símbolos **HP + ** parpadeando.

Este modo utiliza la bomba de calor y el elemento calefactor, dentro de los límites de funcionamiento del producto, para garantizar un calentamiento más rápido.

La bomba de calor se enciende 5 minutos después de seleccionar este modo o después del último apagado.

En caso de apagar, en los primeros 5 minutos, la bomba de calor permanecerá encendida, al menos, 5 minutos de funcionamiento continuo.

El elemento calefactor se activa inmediatamente.

7.5.3 ELÉCTRICO

La pantalla muestra el símbolo .

Con este modo solo se utiliza el elemento calefactor dentro de los límites de funcionamiento del producto y es útil en situaciones de temperatura de aire de entrada baja.

7.5.4 VENTILACIÓN

La pantalla muestra el mensaje **FRn**.

Con este modo solo se utiliza el ventilador electrónico dentro del dispositivo y es útil para hacer que el aire recircule en la habitación de instalación si así se desea.

En el modo automático, el ventilador se ajustará a la velocidad mínima.

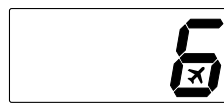
7.5.5 VACACIONES

La pantalla muestra el símbolo .

Este modo es útil cuando se está fuera durante un periodo de tiempo limitado y se desea que al llegar a casa el dispositivo se ponga a funcionar automáticamente en modo automático.

Con los botones + y - es posible definir los días de ausencia durante los que desea mantener el equipo en reposo.

Pulse  y después, encienda y apague para confirmar.



7.5.6 AUTOMÁTICO

La pantalla muestra el símbolo **HP + **.

Con este modo, se utiliza la bomba de calor y, si es necesario, también el elemento calefactor, dentro de los límites de funcionamiento del producto, para garantizar el mejor confort posible.

La bomba de calor se enciende 5 minutos después de seleccionar este modo o después del último apagado.

En caso de apagar, en los primeros 5 minutos, la bomba de calor permanecerá encendida, al menos, 5 minutos de funcionamiento continuo.

7.6 FUNCIONES ADICIONALES


7.6.1 Modo solar o o +


(Solo para los modelos PCV3)

Cuando el modo solar se active desde el menú del instalador, solo los modos ECO - AUTOMÁTICO - VACACIONES estarán disponibles.

7.6.2 Modo fotovoltaico o o

Cuando el modo fotovoltaico se active desde el menú del instalador, solo los modos ECO - AUTOMÁTICO - VACACIONES estarán disponibles.

Cuando el símbolo  parpadea en pantalla, el modo fotovoltaico no está funcionando y la unidad funciona en el modo establecido: ECO, AUTOMÁTICO o VACACIONES.


Cuando el símbolo  se enciende en pantalla, la energía que produce el sistema fotovoltaico se utiliza para calentar el agua dentro del depósito.


Con el modo ECO seleccionado, la bomba de calor funcionará hasta alcanzar el punto de consigna y el elemento calefactor se activará hasta que se alcance el punto de consigna fotovoltaico definido en el menú del instalador.

En caso contrario, con el modo AUTOMÁTICO seleccionado, el elemento calefactor también se activará antes de que se alcance el punto de consigna de este modo, si así lo requieren las condiciones.

7.6.3 Modo de baja demanda o

Cuando el modo fotovoltaico se active desde el menú del instalador, solo los modos ECO - AUTOMÁTICO estarán disponibles.

Cuando el símbolo  parpadea en pantalla, el modo de baja demanda no funciona, la unidad permanece en estado de espera y la bomba de calor y el elemento calefactor están desactivados.

En caso contrario, cuando el símbolo  se enciende en pantalla, la unidad funciona en los modos ECO o AUTOMÁTICO.

7.6.4 Antilegionela

La pantalla muestra el símbolo .


Cada dos semanas, a la hora programada, se lleva a cabo un ciclo de calentamiento de agua mediante el elemento calefactor dentro del depósito, hasta la temperatura antilegionela, manteniéndola durante un periodo de tiempo establecido.

Si, al alcanzar la temperatura antilegionela, el ciclo no se realiza correctamente en 10 horas, este se detendrá se pondrá en marcha de nuevo después de 2 semanas.

Si la solicitud para la función antilegionela tiene lugar con el modo VACACIONES seleccionado, el ciclo antilegionela se realizará inmediatamente después de que se vuelva a activar la unidad transcurrido el periodo de ausencia.

Parámetros antilegionela	Rango	Por defecto
Punto de consigna de temperatura antilegionela (P3)	50÷75°C	75°C
Duración del ciclo antilegionela (P4)	0÷90 min	30 min
Tiempo de activación del ciclo antilegionela (P29)	0÷23 h	23 h

7.6.5 Función de descongelación

La pantalla muestra el símbolo .

Este dispositivo cuenta con una función de descongelación del evaporador automática que se activa durante el funcionamiento de la bomba de calor cuando las condiciones de funcionamiento así lo requieren.

La descongelación tiene lugar mediante la inyección de gas caliente en el evaporador, lo que permite que se descongele rápidamente.

Durante la descongelación, el elemento calefactor, equipado en el equipo, se apaga a no ser que se haya establecido lo contrario en el menú del instalador (parámetro P6).

La duración máx. de la descongelación es de 8 minutos.

7.6.6 Protección contra heladas














La pantalla muestra el símbolo .

Esta protección evita que la temperatura del agua dentro del depósito se sitúe en valores cercanos a cero.

Con el equipo en modo de espera, cuando la temperatura dentro del depósito es inferior o igual a 5°C (parámetro configurable a través del menú del instalador), la función de protección anticongelación se activa, lo que hace que se active el elemento calefactor hasta alcanzar los 12°C (parámetro configurable a través del menú del instalador).

7.7 Averías/protección

El equipo cuenta con un sistema de autodiagnóstico que abarca algunas posibles averías o protecciones frente a condiciones de funcionamiento erráticas mediante: detección, señalización y adopción de un procedimiento de emergencia hasta que se solucione la avería.

Avería/Protección	Código de error	Indicación en pantalla
Avería en la sonda inferior del depósito	P01	 + P01
Avería en la sonda superior del depósito	P02	 + P02
Avería en la sonda de descongelación	P03	 + P03
Avería en la sonda de aire de entrada	P04	 + P04
Avería en la sonda de entrada al evaporador	P05	 + P05
Avería en la sonda de salida al evaporador	P06	 + P06
Avería en la sonda de flujo del compresor	P07	 + P07
Avería en la sonda del colector solar	P08	 + P08
Protección contra alta presión	E01	 + E01
Alarma en el circuito solar/recirculación	E02	 +E02
Temperatura no adecuada para la alarma de funcionamiento de la bomba de calor (Con la alarma activada, el agua solo se calienta mediante el elemento calefactor)	PA	 +PA
No hay comunicación (con la alarma activada el equipo no funciona)	E08	 + E08
Avería del ventilador electrónico	E03	 + E03

En caso de que se produzca cualquiera de las averías anteriores, es necesario ponerse en contacto con el servicio de asistencia técnica del fabricante, indicando el código de error que se muestra en pantalla.

8. PUESTA EN MARCHA



ATENCIÓN: compruebe que el equipo se haya conectado al cable de toma de tierra.



ATENCIÓN: compruebe que la tensión de línea sea la que se indica en la placa de identificación del equipo.



PRECAUCIÓN: el aparato solo puede encenderse cuando se haya llenado de agua.

Continúe con las siguientes operaciones para la puesta en marcha:

- Una vez que el aparato está instalado y se han realizado todas las conexiones (aerólicas, hidráulicas, eléctricas, etc.), este debe llenarse con agua desde la red de suministro de agua sanitaria. Para llenar el aparato, es necesario abrir el grifo central de la red de suministro de agua sanitaria y el grifo de agua caliente más cercano, asegurando, al mismo tiempo, que el aire del depósito se expulsa gradualmente.
- No sobrepase la presión máx. admisible que se indica en la sección "datos técnicos generales".
- Compruebe los dispositivos de seguridad del circuito del agua.
- Enchufe la unidad en la toma de corriente.
- Cuando se inserta el enchufe, la caldera está en modo de espera, la pantalla permanece apagada y el botón de alimentación se enciende.
- Pulse el botón ENCENDIDO/APAGADO, la unidad se activa en modo "ECO" (ajuste de fábrica).

En caso de un corte de suministro eléctrico repentino y una vez que este se reanude, el equipo se reiniciará en el modo de funcionamiento en el que estaba antes de la interrupción.

8.1 Consulta y edición de parámetros de funcionamiento

Este equipo cuenta con dos menús distintos; uno para consultar parámetros y otro para editarlos, respectivamente (consulte "8.1.1 Lista de parámetros del equipo").

Durante el funcionamiento del equipo, los parámetros se pueden consultar libremente en cualquier momento desbloqueando los botones (consulte "7.1 Activación y desactivación del calentador de agua y desbloqueo de botones") y pulsando los botones "⊙" y "+" conjuntamente durante 3 segundos. La etiqueta del primer parámetro se muestra en pantalla con la letra "A". Pulsar el botón "+" muestra su valor y, al volver a pulsar este botón, se muestra la etiqueta del segundo parámetro "B", y así sucesivamente.

Con los botones "+" y "-" puede desplazarse hacia delante y hacia atrás por toda la lista de parámetros.

Pulse el botón "ENCENDIDO/APAGADO" para salir.

La edición de uno o más parámetros de funcionamiento solo se puede realizar con el equipo en modo de espera y requiere introducir una contraseña.



NOTA: "El uso de la contraseña está reservado para personal cualificado; cualquier consecuencia debida al ajuste incorrecto de los parámetros es responsabilidad exclusiva del cliente. Por lo tanto, cualquier intervención que solicite el cliente a un centro de asistencia técnica autorizado DAIKIN durante el periodo de garantía estándar, por problemas con el producto como consecuencia de ajustes incorrectos de los parámetros protegidos por contraseña, no estará cubierta por la garantía estándar".

Con los botones desbloqueados, **solo en modo de espera**, pulse los botones "⊙" y "+" conjuntamente durante 3 segundos para acceder al menú de edición de parámetros del equipo (protegido por contraseña: 35). La pantalla muestra dos dígitos "00". Pulse el botón "⊙". El dígito "0" en la izquierda parpadea con "+" y "-" seleccione el primer número a introducir (3) y pulse "⊙" para confirmar. Proceda del mismo modo con el segundo dígito (5). Si la contraseña es correcta, se muestra el parámetro P1. Pulsar el botón "+" muestra el valor por defecto de este parámetro que puede modificarse pulsando ⊙, y utilizando los botones "+" y "-" es posible cambiar el valor dentro del rango permitido para este parámetro. A continuación, pulse ⊙ para confirmar y el botón "+" para continuar con los demás parámetros. Después de editar los parámetros deseados, pulse el botón de el botón encendido/apagado para guardar y salir. Ahora el equipo vuelve al modo de espera.

8.1.1 Lista de parámetros del equipo

Parámetro	Descripción	Rango	Por defecto	Notas
A	Sonda de temperatura de agua inferior	-30÷99°C	Valor medido	No modificable
B	Sonda de temperatura de agua superior	-30÷99°C	Valor medido	No modificable
C	Sonda de temperatura de descongelación	-30÷99°C	Valor medido	No modificable
D	Sonda de temperatura de aire de suministro	-30÷99°C	Valor medido	No modificable
E	Sonda de temperatura del gas en la entrada del evaporador	-30÷99°C	Valor medido / "0°C" si P33=0	No modificable (1)
F	Sonda de temperatura del gas en la salida del evaporador	-30÷99°C	Valor medido / "0°C" si P33=0	No modificable (1)
G	Sonda de temperatura del gas de descarga del compresor	0÷125°C	Valor medido / "0°C" si P33=0	No modificable (1)
H	Sonda de temperatura del colector solar (PT1000)	0÷150°C	Valor medido / "0°C" si P16=2	No modificable (2)
I	Etapa de apertura de la válvula de expansión electrónica (EEV)	30÷500	Valor medido / valor P40 si P39=1	No modificable (1)
J	Versión de firmware de la placa de alimentación	0÷99	Valor actual	No modificable
L	Versión del firmware de la interfaz de usuario	0÷99	Valor actual	No modificable
P1	Histéresis en la sonda de agua inferior para funcionamiento de la bomba de calor	2÷15°C	7°C	Modificable
P2	Retardo de activación de la resistencia eléctrica	0÷90 min	6 min	Función excluida
P3	Temperatura del punto de consigna antilegionela	50°C÷75°C	75°C	Modificable
P4	Duración de la protección antilegionela	0÷90 min	30 min	Modificable
P5	Modo de descongelación	0=parada del compresor 1=gas caliente	1	Modificable
P6	Uso de la resistencia eléctrica durante la descongelación	0=DESACTIVADO 1=ACTIVADO	0	Modificable
P7	Retardo entre dos ciclos de descongelación consecutivos	30÷90 min	60 min	Modificable
P8	Umbral de temperatura para inicio de descongelación	-30÷0°C	-5°C	Modificable
P9	Umbral de temperatura para parada de descongelación	2÷30°C	3°C	Modificable
P10	Duración máxima de la descongelación	3 min÷12 min	10 min	Modificable
P11	Valor de la sonda de temperatura que se muestra en pantalla	0=inferior 1=superior	1	Modificable
P12	Modo de utilización de la bomba externa	0=siempre DESACTIVADO 1=recirculación de agua caliente 2=sistema solar térmico	1	Modificable
P13	Modo de funcionamiento de la bomba de recirculación de agua caliente	0=con bomba de calor 1=siempre ACTIVADO	0	Modificable
P14	Tipo de ventilador de evaporador (EC; AC; AC con doble velocidad; EC con control de velocidad dinámico)	0=EC 1=AC 2=AC con velocidad doble 3 = EC con control de velocidad dinámico	3	Modificable
P15	Tipo de interruptor de caudal de seguridad para circuito de recirculación de agua caliente/solar, interruptor de selección de baja presión	0=NC 1=NA 2 = interruptor de selección de baja presión	0	Modificable
P16	Integración del modo solar	0=permanentemente desactivada 1=funcionando con DIG1 2=control directo del sistema solar térmico	0	Modificable (2)

Parámetro	Descripción	Rango	Por defecto	Notas
P17	Retardo de inicio de la bomba de calor después de apertura de DIG1	10÷60 min	20 min	Modificable (2)
P18	Valor de temperatura de sonda de agua inferior para detener la bomba de calor en integración de modo solar=1 (funcionando con DIG1)	20÷60°C	40°C	Modificable (2)
P19	Histéresis en la sonda de agua inferior para iniciar la bomba en integración de modo solar=2 (control directo del sistema térmico solar)	5÷20°C	10°C	Modificable (2)
P20	Umbral de temperatura para válvula de drenaje de sistema térmico solar/ accionamiento del obturador enrollable del colector solar en integración de modo solar=2 (control directo del sistema térmico solar)	100÷150°C	140°C	Modificable (2)
P21	Valor de temperatura de la sonda de agua inferior para detener la bomba de calor en la integración del modo fotovoltaico	30÷70°C	62°C	Modificable
P22	Valor de temperatura de la sonda de agua superior para detener la resistencia eléctrica en la integración del modo fotovoltaico	30÷80°C	75°C	Modificable
P23	Integración del modo fotovoltaico	0=permanentemente desactivada 1=activada	0	Modificable
P24	Modo de funcionamiento de baja demanda	0=permanentemente desactivado 1=activado con ECO 2=activado con AUTO	0	Modificable
P25	Valor de compensación de la sonda de temp. de agua superior	-25÷25°C	2°C	Modificable
P26	Valor de compensación de la sonda de temp. de agua inferior	-25÷25°C	2°C	Modificable
P27	Valor de compensación de la sonda de temp. de entrada de aire	-25÷25°C	0°C	Modificable
P28	Valor de compensación de la sonda de temp. de descongelación	-25÷25°C	0°C	Modificable
P29	Hora de inicio del ciclo antilegionela	0÷23 horas	23 horas	Modificable
P30	Histéresis en la sonda de agua superior para funcionamiento de la resistencia eléctrica	2÷20°C	7°C	Modificable
P31	Periodo de funcionamiento de la bomba de calor en modo AUTO para cálculo de índice de calentamiento	10÷80 min	30 min	Modificable
P32	Umbral de temperatura para uso de la resistencia eléctrica en el modo AUTO	0÷20°C	4°C	Modificable
P33	Control de la válvula de expansión electrónica (EEV)	0=permanentemente desactivado 1=activado	1	Modificable (1)
P34	Periodo de cálculo de sobrecalentamiento para el modo de control automático de la EEV	20÷90 s	30 s	Modificable (1)
P35	Punto de consigna de sobrecalentamiento para el modo de control automático de la EEV	-8÷15°C	4°C	Modificable (1)
P36	Punto de consigna de subcalentamiento para el modo de control automático de la EEV	60÷110°C	88°C	Modificable (1)
P37	Apertura en etapas de la EEV durante el modo de descongelación (x10)	5÷50	15	Modificable (1)
P38	Apertura en etapas mínima de la EEV con modo de control automático (x10)	3~45	9	Modificable (1)
P39	Modo de control de la EEV	0= automático 1>manual	0	Modificable (1)

Parámetro	Descripción	Rango	Por defecto	Notas
P40	Apertura inicial en etapas de la EEV con modo de control automático / Apertura en etapas de la EEV con modo de control manual (x10)	5÷50	25	Modificable (1)
P41	Umbral de temperatura AKP1 para ganancia EEV KP1	-10÷10°C	-1	Modificable (1)
P42	Umbral de temperatura AKP2 para ganancia EEV KP2	-10÷10°C	0	Modificable (1)
P43	Umbral de temperatura AKP3 para ganancia EEV KP3	-10÷10°C	0	Modificable (1)
P44	Ganancia KP1 EEV	-10÷10	2	Modificable (1)
P45	Ganancia KP2 EEV	-10÷10	2	Modificable (1)
P46	Ganancia KP3 EEV	-10÷10	1	Modificable (1)
P47	Temperatura de entrada máxima permitida para funcionamiento de la bomba de calor	38÷43°C	43°C	Modificable
P48	Temperatura de entrada mínima permitida para funcionamiento de la bomba de calor	-10÷10°C	-7°C	Modificable
P49	Umbral de temperatura de entrada para el evaporador EC o AC con ajuste de velocidad doble del soplador	10÷40°C	25°C	Modificable
P50	Punto de consigna de temperatura del agua inferior en anticongelación	0÷15°C	12°C	Modificable
P51	Punto de consigna de velocidad alta del soplador EC del evaporador	60÷100%	90%	Modificable
P52	Punto de consigna de velocidad baja del soplador EC del evaporador	10÷60%	50%	Modificable
P53	Punto de ajuste de velocidad de descongelación de ventilador de evaporador EC	0÷100%	50%	Modificable
P54	Tiempo de derivación de interruptor de baja presión	1÷240 min	1	Modificable
P55	Regulación proporcional de temperatura del evaporador de intervalo 1	1÷20°C	4°C	Modificable
P56	Temperatura diferencial con activación de velocidad máxima	P57÷20°C	2°C	Modificable
P57	Temperatura diferencial con desactivación de velocidad máxima	1°C÷P56	1°C	Modificable
P58	Uso del ventilador del evaporador con el compresor apagado	0=DESACTIVADO 1 = ACTIVADO con control de velocidad manual 2 = ACTIVADO con control de velocidad automático	0	Modificable
P59	Velocidad del ventilador del evaporador (EC) con compresor apagado	0÷100%	40%	Modificable
P60	Diferencia de temperatura 1 de evaporación del aire para el cálculo del punto de ajuste	1÷25°C	4°C	Modificable
P61	Diferencia de temperatura 2 de evaporación del aire para el cálculo del punto de ajuste	1÷25°C	2°C	Modificable
P62	Diferencia de temperatura 3 de evaporación del aire para el cálculo del punto de ajuste	1÷25°C	6°C	Modificable
P63	Diferencia de temperatura 4 de evaporación del aire para el cálculo del punto de ajuste	1÷25°C	3°C	Modificable
P64	Diferencia de temperatura 5 de evaporación del aire para el cálculo del punto de ajuste	1÷25°C	10°C	Modificable
P65	Diferencia de temperatura 6 de evaporación del aire para el cálculo del punto de ajuste	1÷25°C	18°C	Modificable
P66	Regulación proporcional de temperatura del evaporador de intervalo 2	1÷20°C	2°C	Modificable
P67	Regulación proporcional de temperatura del evaporador de intervalo 3	1÷20°C	9°C	Modificable

Parámetro	Descripción	Rango	Por defecto	Notas
P68	Regulación proporcional de temperatura del evaporador de intervalo 4	1÷20°C	5°C	Modificable
P69	Regulación proporcional de temperatura del evaporador de intervalo 5	1÷20°C	10°C	Modificable
P70	Regulación proporcional de temperatura del evaporador de intervalo 6	1÷20°C	5°C	Modificable
P71	Reducción de velocidad del ventilador del evaporador EC para modo silencioso	0÷40%	15%	Modificable
P72	Ganancia del regulador de velocidad del ventilador EC	1÷100	5	Modificable

(1)=NO SE UTILIZA EN ESTE DISPOSITIVO

(2)=SOLO PARA LOS MODELOS "EKHHE200PCV37, EKHHE260PCV37"

9. ANOMALÍAS Y SOLUCIONES



PRECAUCIÓN: no intente reparar el aparato usted mismo.

Las siguientes comprobaciones solo debe realizarlas personal cualificado y con la formación necesaria.

Avería	Acción recomendada
El equipo no se enciende	<ul style="list-style-type: none"> Compruebe que el producto está recibiendo realmente suministro eléctrico de la red eléctrica. Desconecte el equipo y vuelva a conectarlo transcurridos unos minutos. Compruebe el cable de alimentación en el interior del producto. Compruebe que el fusible de la placa de alimentación esté intacto. Si no es así, sustitúyalo por un fusible de 5 A de acción retardada y certificación IEC-60127-2/II.
El agua no se puede calentar mediante la bomba de calor en el modo ECO y AUTOMÁTICO	<ul style="list-style-type: none"> Apague el equipo, a continuación vuelva a encenderlo transcurridas unas horas. Desconecte el equipo de la red eléctrica, drene parte del agua contenida en el depósito (aprox. el 50%), vuelva a llenarlo y encienda el equipo de nuevo en modo ECO.
La bomba de calor permanece encendida sin detenerse nunca	<ul style="list-style-type: none"> Sin extraer agua caliente del producto, compruebe que, en unas pocas horas, el calentamiento a través de la bomba de calor ocurra de forma positiva.
El agua no se puede calentar mediante el elemento calefactor integrado en el modo AUTOMÁTICO	<ul style="list-style-type: none"> Apague el equipo y compruebe el termostato de seguridad del elemento calefactor dentro del equipo y reinicielo si es necesario. A continuación, encienda el equipo en modo AUTOMÁTICO. Desconecte el equipo de la red eléctrica, drene parte del agua contenida en el depósito (aprox. el 50%), vuelva a llenarlo y encienda el equipo de nuevo en modo AUTOMÁTICO. Acceda al menú del instalador y aumente el valor del parámetro P32, p. ej. a 7°C. Compruebe que el termostato de seguridad del elemento calefactor no se haya accionado (consulte 9.2)

9.1 Sustitución del fusible de la placa de alimentación

Proceda tal como se indica a continuación (solo personal técnico cualificado):

- Desconecte el suministro eléctrico al equipo.
- Retire la cubierta superior del equipo y a continuación la cubierta de la placa de alimentación.
- Retire la tapa del fusible y a continuación el fusible con un destornillador adecuado.
- Instale un nuevo fusible de 5 A de acción retardada y certificación IEC-60127-2/II (T5AL250V), a continuación vuelva a colocar la tapa de protección.
- Vuelva a montar todos los componentes plásticos y asegúrese de que el equipo esté correctamente instalado antes de conectarlo al suministro eléctrico.

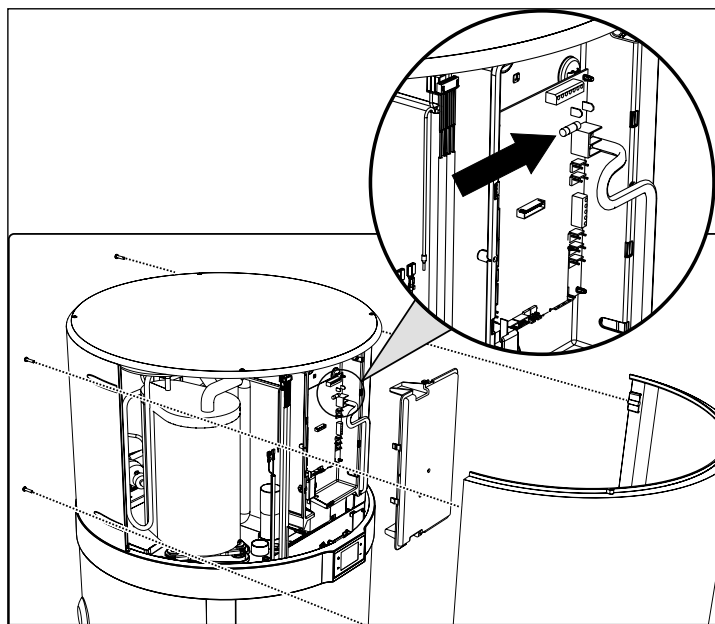


fig. 28

9.2 Restablecimiento del termostato de seguridad del elemento calefactor

Este equipo cuenta con un termostato de seguridad con restablecimiento manual conectado en serie al elemento calefactor sumergido en agua, que interrumpe el suministro eléctrico en caso de exceso de temperatura en el interior del depósito.

Si es necesario, proceda de la siguiente forma para restablecer el termostato (solo para personal técnico cualificado):

- Desenchufe el producto.
- Retire los conductos del aire.
- Retire la cubierta superior desenroscando primero los tornillos de bloqueo (fig. 29).
- Retire el panel frontal y restablezca manualmente el termostato de seguridad accionado (fig. 30). En caso de accionamiento, el pasador central del termostato sobresaldrá

unos 2 mm.

- Vuelva a colocar la cubierta superior que retiró anteriormente.

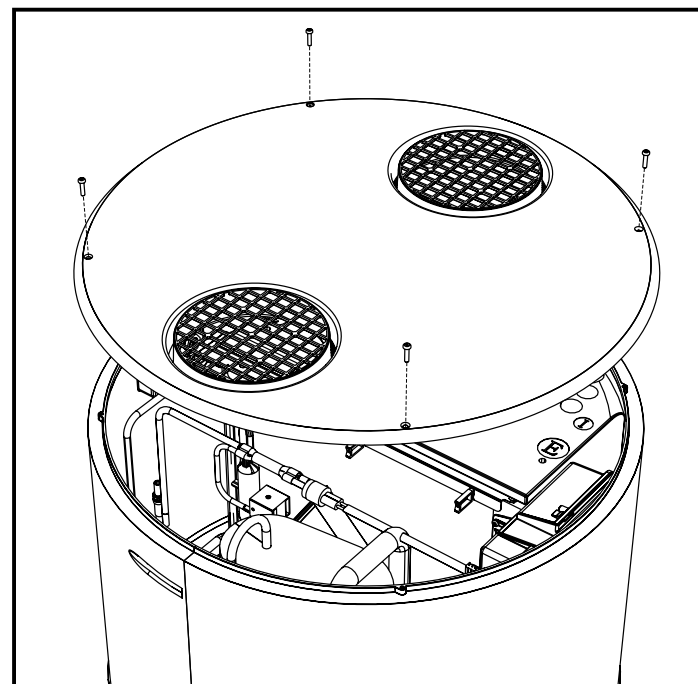


fig. 29- Extracción de la cubierta superior

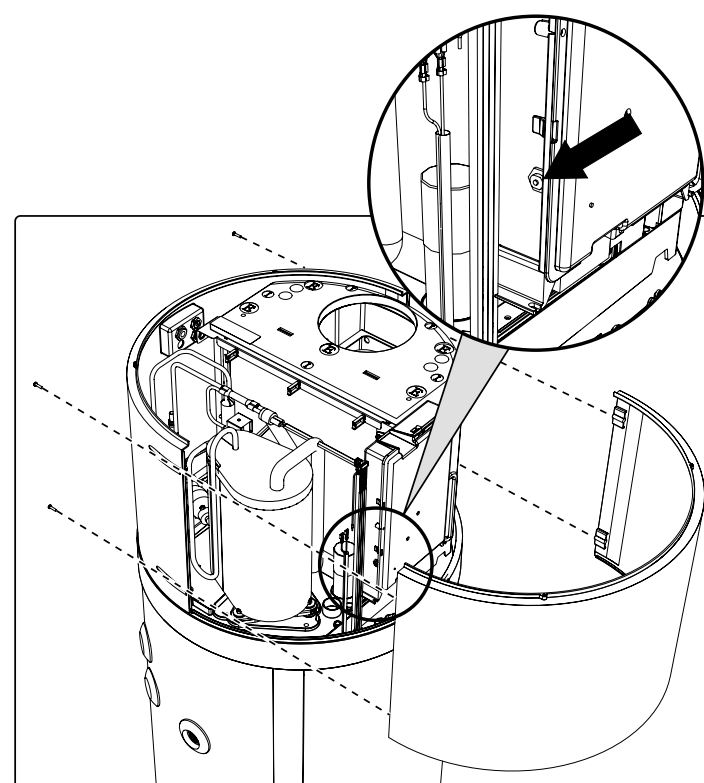


fig. 30- Extracción del panel frontal

! **ATENCIÓN:** el accionamiento del termostato de seguridad puede tener su origen en una avería relacionada con la placa de control o por la ausencia de agua dentro del depósito.

! **ATENCIÓN:** llevar a cabo reparaciones en componentes con función de seguridad compromete el funcionamiento seguro del equipo. Sustituya los componentes defectuosos por piezas de repuesto originales solamente.

! **NOTA:** el accionamiento del termostato detiene el funcionamiento del elemento calefactor, pero no el del sistema de la bomba de calor dentro de los límites de funcionamiento permitidos.

! **ATENCIÓN!** Si el operario no puede solucionar la avería, apague el equipo y póngase en contacto con el servicio de asistencia técnica, notificando el modelo del producto adquirido.

10. MANTENIMIENTO

! **ATENCIÓN:** cualquier reparación llevada a cabo en el equipo debe realizarla personal cualificado. Las reparaciones incorrectas pueden poner al usuario en peligro grave. Si su equipo necesita reparación, póngase en contacto con el centro de servicio.

! **ATENCIÓN:** antes de llevar a cabo cualquier tarea de mantenimiento, asegúrese de que el equipo no esté conectado al suministro eléctrico ni pueda hacerlo accidentalmente. Por lo tanto, desconecte el suministro eléctrico cada vez que realice tareas de mantenimiento o limpieza.

10.1 Comprobación/sustitución del ánodo de sacrificio

El ánodo de magnesio (Mg), también llamado ánodo de "sacrificio", evita que las corrientes de torbellino que se generan dentro de la caldera desencadenen procesos de corrosión de la superficie.

De hecho, el magnesio es un metal de carga débil si se compara con el material del que está revestido el interior de la caldera, por lo tanto este atrae primero las cargas negativas que se forman durante el calentamiento del agua, consumiéndose a sí mismo. Es decir, el ánodo se "sacrifica" corroyéndose a sí mismo en lugar de hacerlo con el depósito. La caldera cuenta con dos ánodos, uno en la parte inferior del depósito y otros en la parte superior del depósito (área con más tendencia a la corrosión).

La integridad de los ánodos de Mg se debe comprobar, al menos, cada dos años (preferiblemente una vez al año). La operación debe llevarla a cabo personal cualificado.

Antes de la comprobación:

- Cierre la entrada de agua fría.
- Continúe con el vaciado de la caldera (consulte el pár. "10.2 Vaciado de la caldera").
- Desenrosque el ánodo superior y compruebe su corrosión; si la corrosión afecta a más de 2/3 de la superficie del ánodo, sustitúyalo.

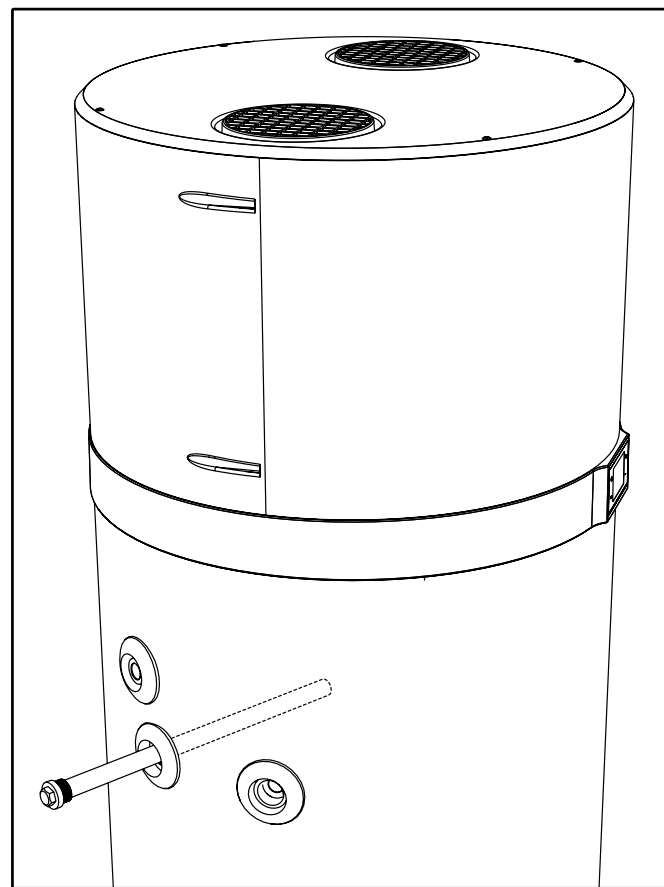


fig. 31

Los ánodos cuentan con una junta de sellado especial, para evitar fugas de agua; se recomienda utilizar un sellante de roscas anaeróbico en los sistemas de calefacción y fontanería. Las juntas deben sustituirse por juntas nuevas en caso de comprobar o sustituir los ánodos.

10.2 Vaciado de la caldera

El agua dentro de la caldera debe drenarse en caso de que la caldera no se utilice y especialmente si las temperaturas son bajas. En el equipo en cuestión, simplemente separe la conexión de entrada del agua (consulte el pár. "6.5 Conexiones hidráulicas") Alternativamente, cuando configure el sistema, se recomienda instalar una válvula de drenaje con conexión de manguera.

! **NOTA:** en caso de bajas temperaturas, recuerde vaciar el sistema para evitar el congelamiento.

11. TRATAMIENTO DE DESECHOS

Al final de su vida útil, las bombas de calor deben eliminarse de acuerdo con la normativa vigente.



ATENCIÓN: este equipo contiene gases fluorados de efecto invernadero incluidos en el Protocolo de Kioto. El mantenimiento y el desecho solo deben ser llevados a cabo por personas cualificadas.

INFORMACIÓN PARA LOS USUARIOS



De conformidad con las Directivas 2011/65/EU y 2012/19/EU sobre restricciones a la utilización de determinadas sustancias peligrosas en aparatos eléctricos y electrónicos así como de eliminación de residuos.

En símbolo de papelera tachada en el equipo o en su embalaje indica que, al final de su vida útil, el producto debe separarse de los demás residuos para su eliminación.

Por lo tanto, al final de la vida útil del equipo, el usuario debe entregarlo en los centros de reciclaje de equipos eléctricos y electrónicos o devolverlo al distribuidor en caso de que le vuelva a comprar un equipo nuevo equivalente.

Separar los residuos correctamente para enviar posteriormente el equipo desmantelado a los centros de eliminación, tratamiento y reciclaje de residuos ayuda a evitar efectos negativos en el medio ambiente y en la salud y favorece la reutilización o reciclaje de los materiales que lo componen.

La eliminación no autorizada del producto por parte del usuario implica la aplicación de sanciones administrativas en virtud de la normativa vigente.

Los principales materiales que conforman el equipo en cuestión son:

- acero
- magnesio
- plástico
- cobre
- aluminio
- poliuretano

12. HOJA DE PRODUCTO

Descripciones	u.m.	EKHHE200CV37	EKHHE260CV37	EKHHE200PCV37	EKHHE260PCV37
Perfil de carga declarado	-	L	XL	L	XL
Ajustes de temperatura del termostato del calentador de agua	°C	55	55	55	55
Clase de eficiencia energética de calentamiento de agua ⁽¹⁾	-	A+	A+	A+	A+
Eficiencia energética de calentamiento de agua - η_{wh} ⁽¹⁾	%	135	138	135	138
COP _{DHW} ⁽¹⁾	-	3,23	3,37	3,23	3,37
Consumo eléctrico anual - AEC ⁽¹⁾	kWh	761	1210	761	1210
Eficiencia energética de calentamiento de agua - η_{wh} ⁽²⁾	%	106	112	106	112
COP _{DHW} ⁽²⁾	-	2,55	2,73	2,55	2,73
Consumo eléctrico anual - AEC ⁽²⁾	kWh	944	1496	944	1496
Eficiencia energética de calentamiento de agua - η_{wh} ⁽³⁾	%	162	160	162	160
COP _{DHW} ⁽³⁾	-	3,89	3,9	3,89	3,9
Consumo eléctrico anual - AEC ⁽³⁾	kWh	631	1046	631	1046
Nivel de potencia sonora interior ⁽⁴⁾	dB (A)	53	51	53	51
Nivel de potencia sonora exterior ⁽⁴⁾	dB (A)	45	44	45	44
El calentador de agua solo puede funcionar durante las horas de baja demanda	-	NO	NO	NO	NO
Deben adoptarse las precauciones específicas necesarias al montar, instalar o realizar el mantenimiento del calentador de agua	-	Consulte el manual			

(1): Datos conforme con la norma EN 16147: 2017 para climas corrientes (unidad en modo ECO; agua de admisión = 10°C; temperatura de aire de admisión = 7°C DB / 6°C WB)

(2): Datos conforme con la norma EN 16147: 2017 para climas fríos (unidad en modo ECO; agua de admisión = 10°C; temperatura de aire de admisión = 2°C DB / 1°C WB)

(3): Datos conforme con la norma EN 16147: 2017 para climas cálidos (unidad en modo ECO; agua de admisión = 10°C; temperatura de aire de admisión = 14°C DB / 13°C WB)

(4): Datos según EN 12102-2: 2019, modo ECO con temperatura del aire de admisión = 7°C DB / 6°C WB

1. PRECAUZIONI GENERALI DI SICUREZZA	2
2. INTRODUZIONE	6
2.1 Prodotti	6
2.2 Esclusione di responsabilità	6
2.3 Lingua	6
2.4 Copyright	7
2.5 Versioni e configurazioni disponibili.....	7
3. MOVIMENTAZIONE E TRASPORTO	7
3.1 Ricevimento.....	7
4. CARATTERISTICHE COSTRUTTIVE	9
4.1 Dati delle dimensioni.....	10
4.2 Caratteristiche tecniche	11
5. INFORMAZIONI IMPORTANTI	12
5.1 Conformità con i regolamenti europei.....	12
5.2 Classe di protezione dell'involucro	12
5.3 Limiti di funzionamento	12
5.4 Limiti di funzionamento	12
5.5 Regole di sicurezza di base.....	13
5.6 Informazioni sul refrigerante utilizzato	13
6. INSTALLAZIONE E COLLEGAMENTI	13
6.1 Preparazione del luogo d'installazione	13
6.2 Fissaggio al pavimento	14
6.3 Collegamenti pneumatici	14
6.4 Fissaggio e collegamento di questo apparecchio.....	16
6.5 Collegamenti idraulici	16
6.6 Integrazione con il sistema termico solare (<i>solo per i modelli EKHHE200PCV37 e EKHHE260PCV37</i>).....	17
6.7 Collegamenti elettrici	18
6.8 Schema elettrico	20
7. DESCRIZIONE DELL'INTERFACCIA UTENTE E DEL FUNZIONAMENTO DELL'APPARECCHIATURA	21
7.1 Portare su Attivato e Disattivato il riscaldatore dell'acqua e sbloccare i pulsanti.....	22
7.2 Impostazione dell'orologio	22
7.3 Impostazione degli intervalli di tempo.....	22
7.4 Impostazione del setpoint dell'acqua calda	22
7.5 Modo di funzionamento	23
7.6 Caratteristiche aggiuntive	24
7.7 Guasti/protezione.....	25
8. MESSA IN FUNZIONE	26
8.1 Interrogazione, modifica dei parametri di funzionamento	26
9. INDIVIDUAZIONE E RISOLUZIONE DEI PROBLEMI	30
9.1 Sostituzione del fusibile della scheda di alimentazione.....	31
9.2 Resettaggio del termostato di sicurezza dell'elemento riscaldatore	31
10. MANUTENZIONE	32
10.1 Controllo/sostituzione dell'anodo sacrificale.....	32
10.2 Svuotamento della caldaia	32
11. SMALTIMENTO	33
12. SCHEDA DEL PRODOTTO	33

1. PRECAUZIONI GENERALI DI SICUREZZA

ATTENZIONE:

- Questo manuale fa parte integrante del prodotto. Conservatelo con cura insieme all'apparecchio e consegnatelo all'utente/proprietario successivo in caso di cambio di proprietà.
- Queste istruzioni sono disponibili anche presso il servizio clienti del produttore e il suo sito web: www.daikin.eu
- Leggere con attenzione le istruzioni e le avvertenze di questo manuale, esse riportano importanti informazioni relative all'installazione, all'uso e alla manutenzione in sicurezza.

AVVERTENZE RELATIVE ALLA SICUREZZA

Non usare l'apparecchio per nessun altro scopo diverso da quello specificato. Il costruttore declina ogni responsabilità per danni risultanti da un uso improprio o errato o dal mancato rispetto delle istruzioni fornite nel presente manuale.

L'apparecchio non è destinato a persone (inclusi bambini) con capacità mentali, fisiche o sensoriali ridotte, o prive di esperienza e conoscenza, fatti salvi i casi in cui tali persone abbiano ricevuto in precedenza istruzioni e supervisione per l'uso dell'apparecchio da una persona responsabile della loro sicurezza.

Adottare le dovute precauzioni per evitare che i bambini giochino con l'apparecchio.

Il presente apparecchio può essere utilizzato da bambini a partire dagli 8 anni di età e da persone con capacità mentali, fisiche o sensoriali ridotte, o prive di esperienza e conoscenza, a condizione che agiscano sotto adeguata supervisione o qualora abbiano ricevuto le istruzioni per un uso sicuro dell'apparecchio e abbiano una chiara idea dei rischi impliciti.

Ai bambini non è consentito giocare con l'apparecchio.

L'acqua riscaldata a oltre 50°C può causare gravi ustioni nell'immediato se erogata direttamente ai rubinetti. I bambini, le persone con disabilità e gli anziani sono esposti in modo particolare a questo rischio. Si raccomanda di installare una valvola termostatica di miscelazione sulla linea di mandata dell'acqua.

Questo apparecchio non deve essere pulito o sottoposto a manutenzione da bambini in assenza di un supervisore.

Non toccare l'apparecchio a piedi nudi o se parti del corpo sono bagnate.

Non lasciare materiali infiammabili a contatto dell'apparecchio o in prossimità di questo.

L'apparecchio deve essere svuotato quando lasciato fuori servizio in un'area soggetta a temperature sotto allo zero. Scaricarlo come descritto nel capitolo appropriato.

PRECAUZIONI RELATIVE ALL'INSTALLAZIONE

L'apparecchio deve essere installato e messo in funzione da un tecnico qualificato in base alla legislazione locale e ai regolamenti su salute e sicurezza. Tutti i circuiti d'alimentazione devono essere esclusi prima di aprire la morsettiera.

Un'installazione errata può provocare danni alle cose e lesioni alle persone e agli animali; il costruttore declina ogni responsabilità per le conseguenze.

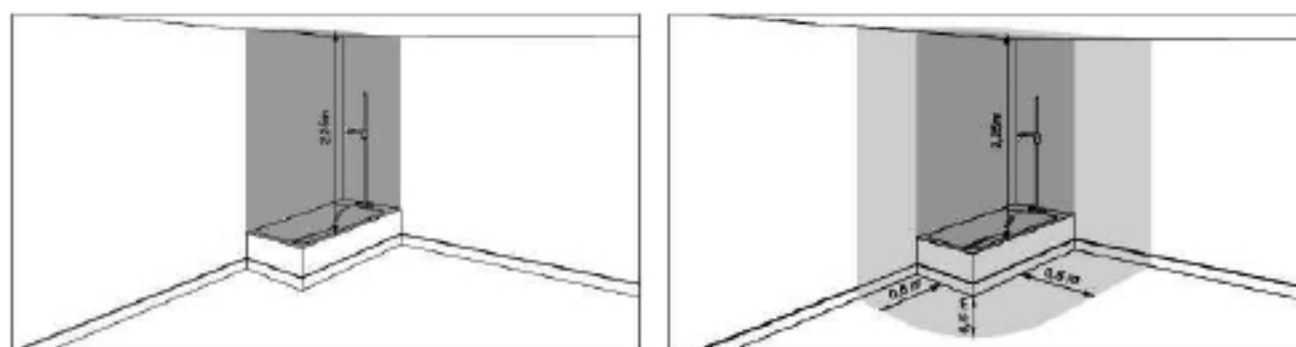
Questo prodotto è pesante, maneggiarlo con cautela e installarlo in un ambiente con temperature superiori allo zero.

Assicurarsi che il pavimento possa sopportare il peso dell'apparecchio pieno d'acqua.

La distruzione dell'apparecchio dovuta alla sovrappressione causata dal blocco del dispositivo di sicurezza rende nulla la garanzia.

AVVERTENZE RELATIVE ALL'INSTALLAZIONE

Se si installa questo prodotto in un bagno, non usare lo "Spazio vietato" e rispettare almeno lo "Spazio protetto" indicato, come mostrato sotto:



Spazio vietato

Spazio protetto

Questo prodotto deve essere posizionato in un punto accessibile.

Il riscaldatore dell'acqua deve essere fissato a terra usando le staffe di fissaggio fornite a questo scopo. I materiali adesivi non possono essere considerati mezzi di fissaggio affidabili.

Questo prodotto è progettato per essere utilizzato a un'altitudine massima di 2000 m.

Fare riferimento alla descrizione e alle figure dei paragrafi 6.1, 6.2 e 6.4.

AVVERTENZE RELATIVE AI COLLEGAMENTI PNEUMATICI

Il funzionamento simultaneo di un focolare a camera aperta (per esempio un caminetto aperto) e della pompa di calore provoca una pericolosa pressione negativa nell'ambiente. La pressione negativa può provocare il ritorno dei gas di scarico nell'ambiente. Non azionare la pompa di calore insieme a un focolare a camera aperta.

Utilizzare esclusivamente focolari a camera sigillata (omologati) con alimentazione separata dell'aria per la combustione.

Sigillare le porte degli ambienti della caldaia che non hanno il flusso in entrata dell'aria per la combustione in comune con le aree abitative.

Si dovrà installare una griglia di protezione idonea in corrispondenza dei collegamenti sia della presa d'aria che dell'estrazione dell'aria, al fine di prevenire l'ingresso di corpi estranei all'interno dell'apparecchiatura.

Vedere la descrizione e le figure in "Collegamenti pneumatici.", paragrafo 6.3.

AVVERTENZE RELATIVE AI COLLEGAMENTI IDRAULICI

È obbligatorio avvitare sul tubo di entrata dell'acqua dell'apparecchio un dispositivo idoneo di protezione dalla sovrappressione (non fornito). Nei paesi che si attengono alla norma EN 1487, il tubo di entrata dell'acqua devono essere equipaggiati con un dispositivo di sicurezza conforme alla norma menzionata sopra.

Esso deve essere nuovo, con una dimensione di 3/4" e tarato su una pressione massima di 0,7 MPa, includente almeno un rubinetto, una valvola di non ritorno, una valvola di sicurezza e un dispositivo di esclusione del carico idraulico.

Questo dispositivo di sicurezza non deve essere manomesso e deve essere messo in funzione frequentemente per verificare che non sia bloccato e per rimuovere eventuali depositi di calcare.

L'acqua potrebbe gocciolare dal tubo di scarico del dispositivo di sfogo della pressione e il tubo deve essere lasciato aperto nell'atmosfera. Il tubo di scarico collegato al dispositivo di sfogo della pressione deve essere installato in direzione costantemente discendente e in un ambiente non soggetto alla formazione di ghiaccio.

È richiesto l'uso di un riduttore di pressione (non fornito) se la pressione dell'acqua in entrata è maggiore di 0,7 MPa (7 bar), e questo dovrà essere allacciato alla rete idrica.

La pressione dell'acqua in entrata minima per il corretto funzionamento dell'apparecchio è di 0,15 MPa (1,5 bar).

Collegare il tubo di gomma allo scarico della condensa, facendo attenzione a non forzare troppo per non rompere il tubo di scarico, facendo riferimento al par. "6.6.1".

Utilizzare esclusivamente tubi di collegamento (non forniti) rigidi e resistenti all'elettrolisi, sia all'ingresso dell'acqua fredda che all'uscita dell'acqua calda dall'apparecchio.

Per i modelli che includono uno scambiatore di calore (serpentina solare), il circuito non deve superare 1,0 MPa (10 bar) e la sua temperatura non deve superare gli 80°C.

Fare riferimento alla descrizione e alle figure nel paragrafo 6.6 "Collegamenti idraulici" e nel paragrafo 6.7 "Integrazione con il sistema termico solare".

AVVERTENZE RELATIVE AI COLLEGAMENTI ELETTRICI

L'apparecchio deve essere installato in base ai regolamenti nazionali sui collegamenti elettrici.

L'impianto elettrico deve comprendere un interruttore onnipolare con la separazione dei contatti su tutti i poli, in grado di garantire la disconnessione completa nella categoria di sovratensione III a monte dell'apparecchio, conforme alle norme di installazione locali in vigore.

Il dispositivo deve essere protetto da un interruttore differenziale adeguato (max 30 mA). Il tipo di interruttore differenziale dovrà essere selezionato valutando la tipologia di tutti i dispositivi elettrici usati dall'impianto.

Il collegamento a terra è obbligatorio. Il costruttore dell'apparecchio declina ogni responsabilità per eventuali danni provocati dalla mancata messa a terra del sistema oppure dovuti ad anomalie dell'alimentazione elettrica.

È severamente vietato collegare l'apparecchio alla rete a CA tramite prolunghe o una morsettiera.

Prima di rimuovere il coperchio, assicurarsi che sia stata tolta la corrente per evitare lesioni o scosse elettriche.

Fare riferimento alla descrizione e alle figure, rispettivamente nel paragrafo 6.8 "Collegamenti elettrici" e nel paragrafo 6.9 "Schema elettrico".

AVVERTENZE RELATIVE A RIPARAZIONE - MANUTENZIONE - INDIVIDUAZIONE E RISOLUZIONE DEI PROBLEMI

Qualsiasi riparazione, manutenzione, collegamento idraulico ed elettrico deve essere eseguito da tecnici qualificati, esclusivamente con l'impiego di ricambi originali. Il mancato rispetto delle istruzioni suddette può compromettere la sicurezza dell'apparecchio e solleva il costruttore da ogni responsabilità per le conseguenze.

Per svuotare l'apparecchio: portare su DISATTIVATO l'alimentazione elettrica e chiudere l'acqua fredda, aprire i rubinetti dell'acqua calda e quindi azionare la valvola di scarico del dispositivo di sicurezza.

La valvola di sicurezza deve essere azionata a intervalli regolari per rimuovere i depositi di calcare e assicurarsi che non sia bloccata.

L'apparecchio è dotato di un cavo di alimentazione che, se danneggiato, deve essere sostituito dal costruttore, dal suo rappresentante o da persone in possesso di una qualifica simile, per evitare ogni rischio.

L'apparecchio include un collegamento fusibile miniaturizzato a tempo che, se rotto, deve essere sostituito con un fusibile modello "T5AL250V" secondo la norma CEI 60127.

Fare riferimento alla descrizione e alle figure, rispettivamente in "INDIVIDUAZIONE E RISOLUZIONE DEI PROBLEMI" capitolo 9 e "MANUTENZIONE" capitolo 10.

2. INTRODUZIONE




Il manuale d'installazione e manutenzione fa parte integrante della pompa di calore (nel seguito chiamata apparecchiatura). Conservare il manuale per consultazioni future, fino allo smantellamento dell'apparecchio. Esso è destinato agli installatori specializzati (installatori - tecnici di manutenzione) e all'utente finale. Il manuale descrive le procedure d'installazione da osservare per il funzionamento corretto e sicuro dell'apparecchiatura, nonché i metodi di uso e manutenzione.

In caso di vendita o di cessione a un altro utente, il manuale deve accompagnare l'unità.

Prima di installare e/o utilizzare l'apparecchiatura, leggere attentamente il presente manuale di istruzioni e in particolare il capitolo 5 relativo alla sicurezza.

Il manuale deve essere conservato insieme all'unità e deve essere sempre disponibile per il personale qualificato addetto all'installazione e alla manutenzione.

I seguenti simboli sono utilizzati nel manuale per evidenziare le informazioni più importanti:

	Attenzione
	Procedure da seguire
	Informazioni/Suggerimenti

2.1 Prodotti

Gentile Cliente,
grazie per aver acquistato questo prodotto.

La nostra Azienda, sempre attenta ai problemi ambientali, utilizza per i propri prodotti delle tecnologie e dei materiali con un basso impatto ambientale, in conformità alle norme WEEE dell'UE (2012/19/UE – RoHS 2011/65/UE).

2.2 Esclusione di responsabilità

La conformità di queste istruzioni per l'uso rispetto all'hardware e al software è stata verificata attentamente. Ciò non di meno possono esistere delle differenze; e si declina ogni responsabilità quanto alla piena conformità.

Nell'interesse dei miglioramenti tecnici, ci riserviamo il diritto di apportare dei cambiamenti ai dati costruttivi o ai dati tecnici in qualsiasi momento. Pertanto, è da escludersi qualsiasi reclamo basato sulle indicazioni, figure, disegni o descrizioni. Essi sono soggetti a possibili errori.

Il produttore declina qualsiasi responsabilità per danni dovuti a errori nei comandi, uso improprio o inadeguato, oppure dovuti a riparazioni o modifiche non autorizzate.

2.3 Lingua

Il manuale è stato scritto in italiano (IT), lingua originale del produttore.

Le traduzioni in altre lingue dovranno essere effettuate dalle istruzioni originali.

Il produttore ha la responsabilità delle informazioni contenute nelle istruzioni originali. Le traduzioni in lingue diverse non possono essere completamente verificate e per questo, se si riscontrano inconsistenze, è necessario seguire il testo in lingua originale o contattare il nostro Ufficio Documentazione Tecnica.

2.4 Copyright

Queste istruzioni per l'uso contengono informazioni protette da copyright. È vietato fotocopiare, duplicare, trasferire o registrare su mezzi di memorizzazione qualsiasi parte di queste istruzioni per l'uso senza aver prima ottenuto l'autorizzazione scritta del fornitore. Qualsiasi violazione sarà soggetta a risarcimento dei danni. Sono riservati tutti i diritti, inclusi quelli derivanti dalla concessione di brevetti o dalla registrazione di modelli di utilità.

2.5 Versioni e configurazioni disponibili

Questo apparecchio include una pompa di calore da 1,9 kW e può essere approntato con diverse configurazioni, in base all'integrazione possibile con fonti di riscaldamento aggiuntive (per esempio il riscaldamento solare) o in base alla capacità della caldaia.

Versione	Descrizione della configurazione
EKHHE200CV37 EKHHE260CV37	Pompa di calore ad aria per la produzione di acqua calda sanitaria (ACS)
EKHHE200PCV37 EKHHE260PCV37	Pompa di calore ad aria per la produzione di ACS predisposta per il sistema termico solare.

3. MOVIMENTAZIONE E TRASPORTO

L'apparecchiatura viene fornita in una scatola di cartone(*).

Essa è fissata a una pedana per mezzo di tre viti.

Per le operazioni di scarico, utilizzare un carrello elevatore a forche o un transpallet adatto.

L'apparecchiatura imballata può essere disposta orizzontalmente e appoggiata all'indietro per facilitare la rimozione delle viti di ancoraggio.

La rimozione dell'imballaggio deve essere effettuata con cautela, per evitare di danneggiare l'involucro dell'apparecchiatura in caso di utilizzo di coltelli o taglierini per aprire l'imballaggio di cartone.

Una volta rimosso l'imballaggio, verificare che l'unità sia integra. In caso di dubbio, non usare l'unità; contattare il personale tecnico autorizzato.

Prima di eliminare l'imballaggio, in base ai regolamenti applicabili in materia di tutela dell'ambiente, assicurarsi di aver prima rimosso tutti gli accessori forniti.

(* Nota: Il tipo di imballaggio potrebbe subire delle variazioni a discrezione del costruttore.

Per tutto il periodo in cui l'apparecchiatura rimarrà inutilizzata, in attesa della messa in funzione, è consigliabile tenerla in un luogo al riparo dagli agenti atmosferici

3.1 Ricevimento

Oltre alle unità, gli imballaggi contengono gli accessori e la documentazione tecnica per l'uso e l'installazione. Controllare che siano presenti gli articoli seguenti:

- 1x manuale dell'utente, di installazione e di manutenzione;
- 3x staffe di fissaggio e relative viti;
- 1x disgiuntore termico (solo per EKHHE200PCV3 e EKHHE260PCV3).

Per tutto il periodo in cui l'apparecchiatura rimarrà inutilizzata, in attesa della messa in funzione, è consigliabile tenerla in un luogo al riparo dagli agenti atmosferici.

Posizioni consentite per il trasporto e la movimentazione

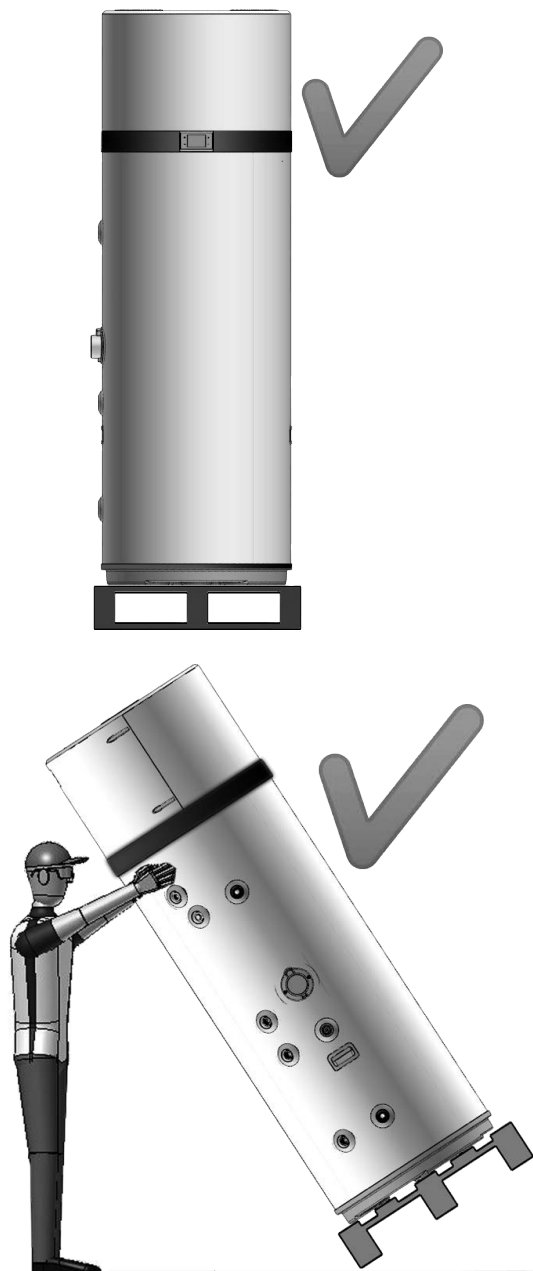
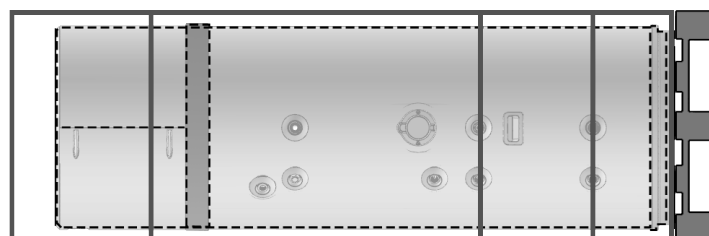


fig. 1

⚠ **ATTENZIONE!** Durante le fasi di movimentazione e installazione del prodotto, la parte superiore non deve subire alcun tipo di sollecitazione, dato che non è sostenuta da alcuna struttura.

⚠ **ATTENZIONE!** Il trasporto orizzontale è consentito soltanto per l'ultimo tratto di un km in base a quanto indicato (vedere "Posizioni non consentite per il trasporto e la movimentazione"), assicurandosi che i supporti siano posizionati al fondo della caldaia in modo tale da non sottoporre a sollecitazioni la parte superiore, dato che non è sostenuta da alcuna struttura. Durante il trasporto orizzontale, il display deve rimanere rivolto verso l'alto.

Posizione consentita solo per l'ultimo tratto di un km



Posizioni non consentite per il trasporto e la movimentazione

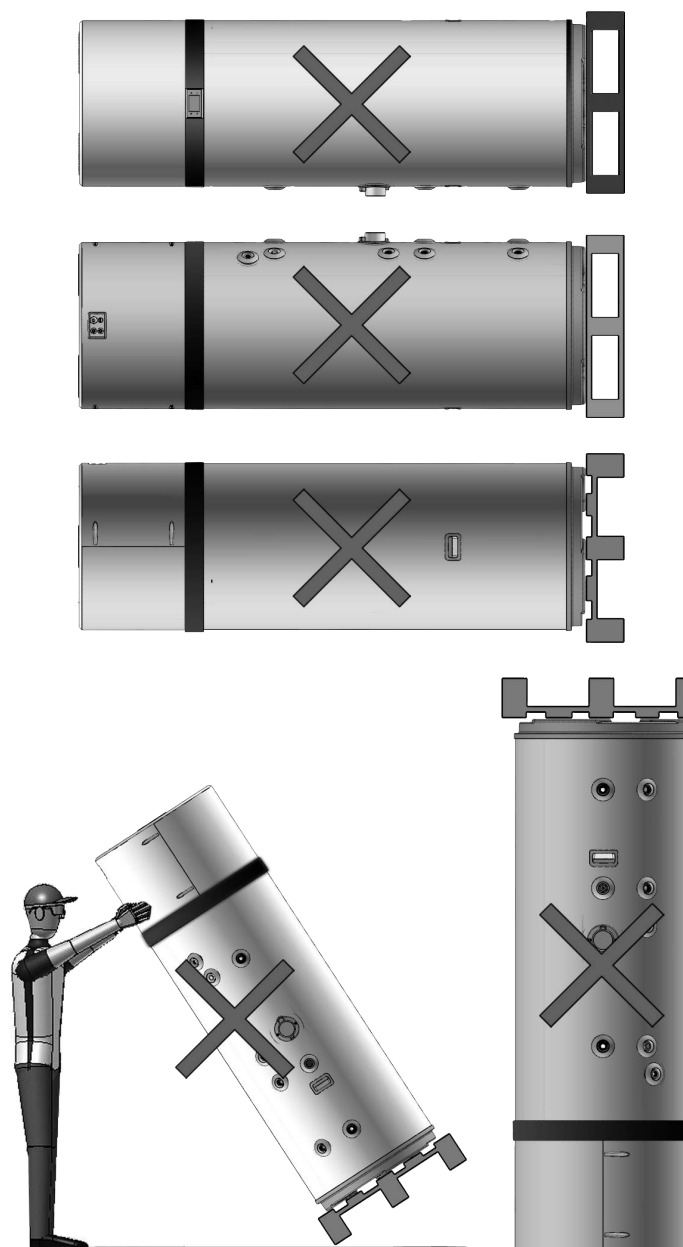


fig. 2

4. CARATTERISTICHE COSTRUTTIVE

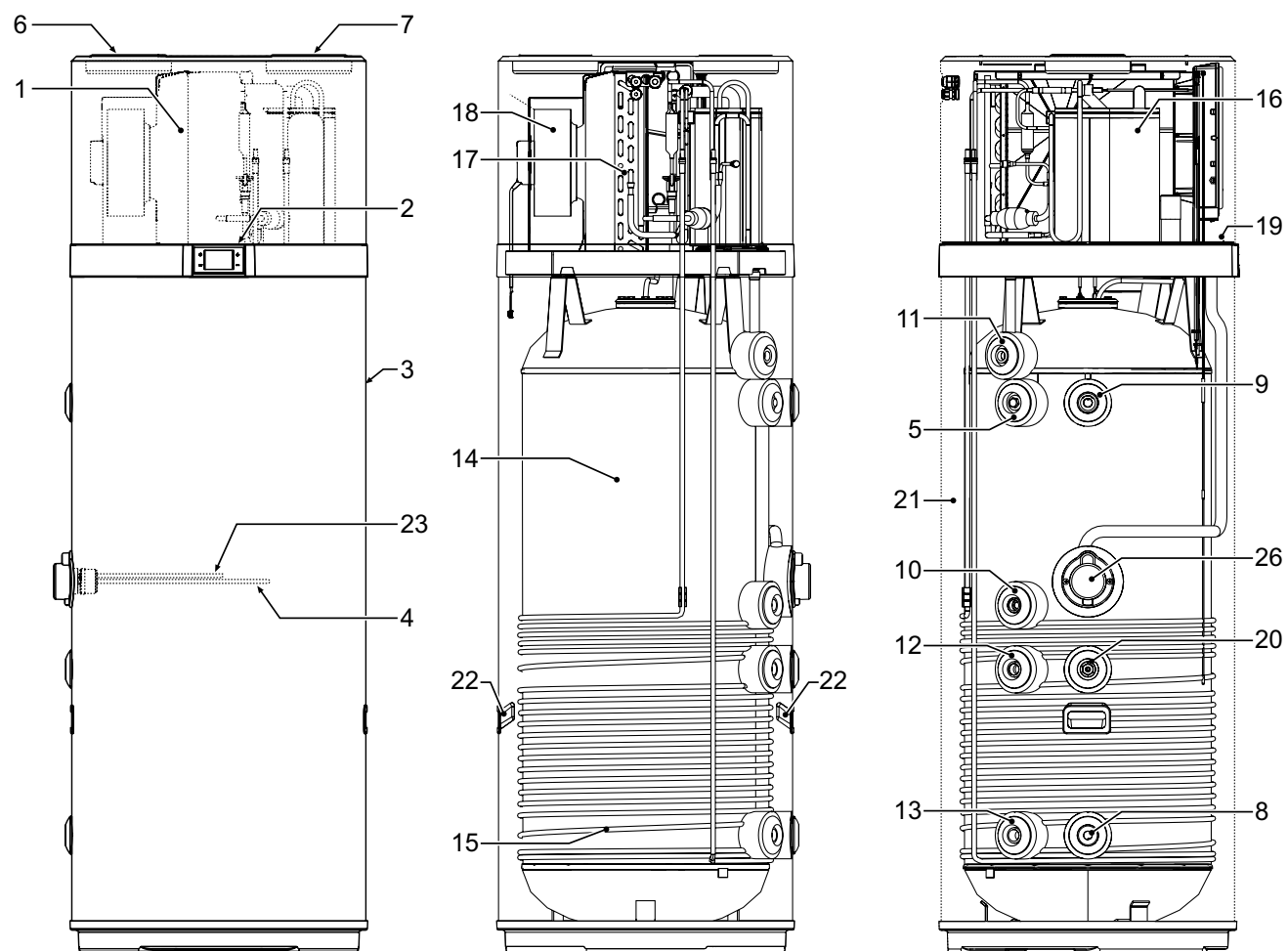
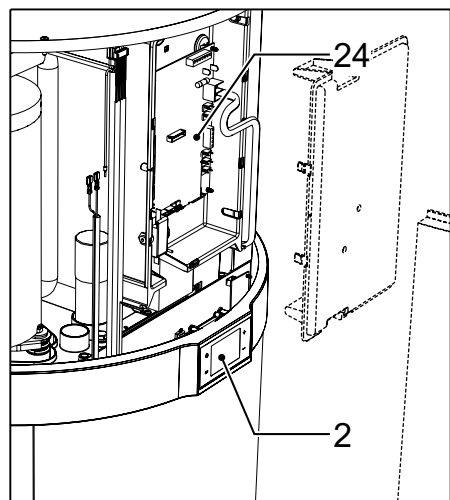


fig. 3



- 1 Pompa di calore
- 2 Interfaccia utente
- 3 Involucro di acciaio
- 4 Elemento riscaldatore
- 5 Anodo di magnesio
- 6 Presa d'aria di ventilazione (Ø160 mm)
- 7 Uscita aria di ventilazione (Ø160 mm)
- 8 Collegamento di entrata dell'acqua fredda
- 9 Collegamento di uscita dell'acqua calda

- 10 Predisposizione per il ricircolo
- 11 Scarico della condensa
- 12 Predisposizione per l'entrata della serpentina solare
*Solo per i modelli EKHHE200PCV37
EKHHE260PCV37*
- 13 Predisposizione per l'uscita della serpentina solare
*Solo per i modelli EKHHE200PCV37
EKHHE260PCV37*
- 14 Serbatoio di acciaio con smaltatura vetrosa secondo DIN 4753-3
- 15 Condensatore
- 16 Compressore rotante
- 17 Gruppo evaporatore ad alette
- 18 Ventola elettronica
- 19 Sonde caldaia
- 20 Sacca di ritegno sonde per impianto solare - *Solo per modelli
EKHHE200PCV37
EKHHE260PCV37*
- 21 Isolante di poliuretano
- 22 Maniglie per il trasporto
- 23 Tubo per bulbo del termostato di sicurezza
- 24 Scheda di alimentazione
- 26 Scomparto per accesso all'elemento riscaldatore e al bulbo del termostato di sicurezza

4.1 Dati delle dimensioni

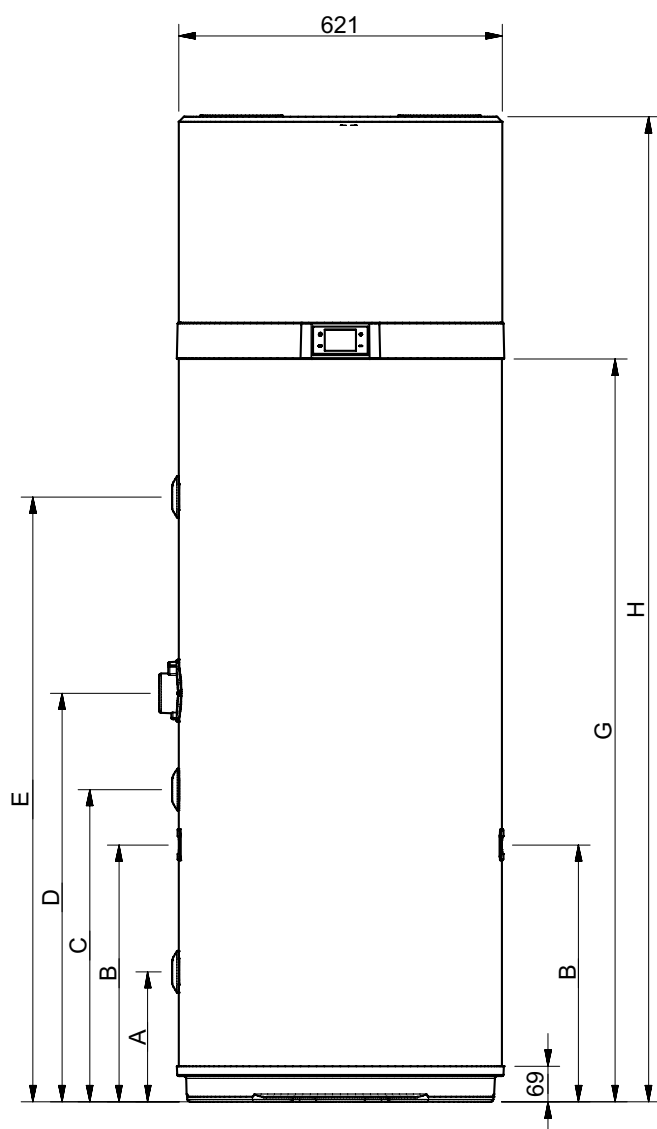


fig. 4

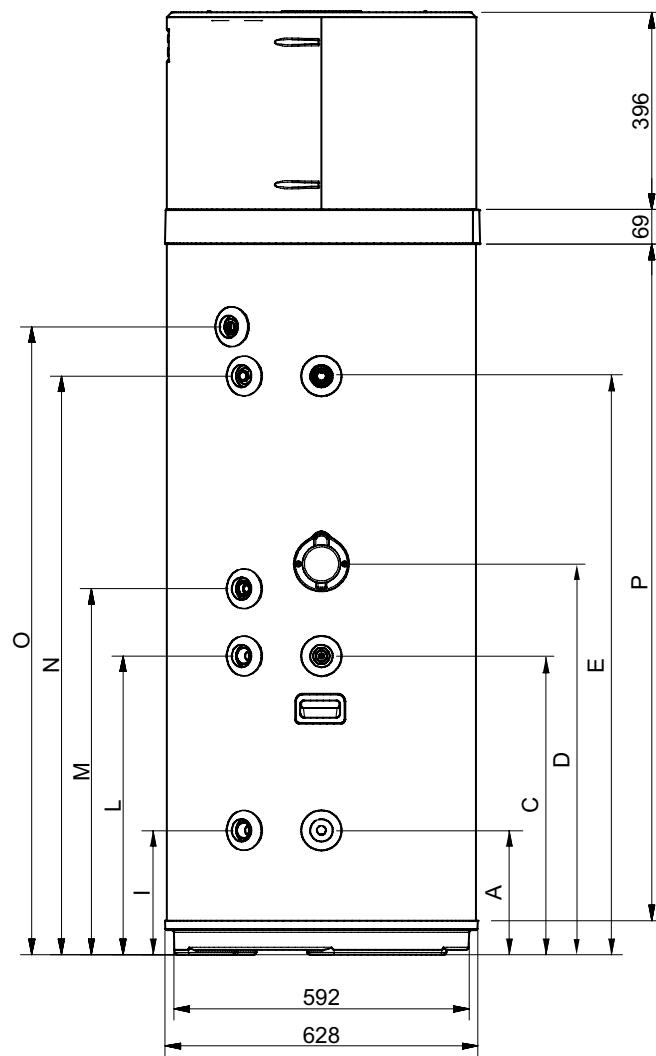


fig. 5

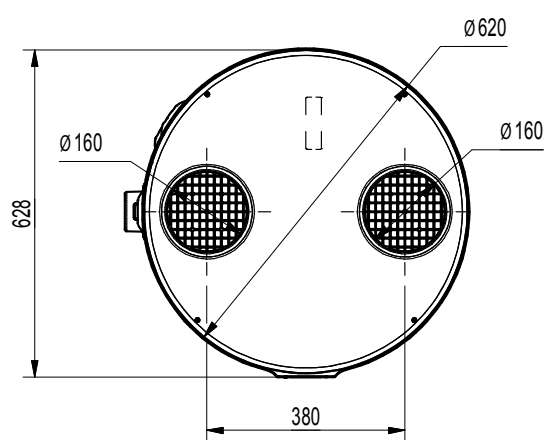


fig. 6

MODELLO	Ø	EKHHE200PCV37	EKHHE260PCV37	EKHHE200CV37	EKHHE260CV37	UM
A	1"G	250	250	250	250	mm
B	-	490	493	/	/	mm
C	1/2"G	600	600	600	600	mm
D	-	705	785	705	785	mm
E	1"G	876,5	1162	876,5	1162	mm
G	-	1142	1427	1142	1427	mm
H	-	1607	1892	1607	1892	mm
I	3/4"G	250	250	/	/	mm
L	3/4"G	599	600	/	/	mm
M	3/4"G	705	735	705	735	mm
N	3/4"G	877	1162	877	1162	mm
O*	1/2"G	976	1261	976	1261	mm
P	-	1073	1358	1073	1358	mm

*O - Collegamento di uscita in materia plastica

4.2 Caratteristiche tecniche

Modello	EKHHE200CV37	EKHHE260CV37	EKHHE200PCV37	EKHHE260PCV37	U.m.				
Dati generali	Tensione di alimentazione				230 Vca-50 Hz	-			
	Contenuto serbatoio acqua - Vnom				192	250	187	247	dm ³
	Pressione massima acqua in entrata				0,7	0,7	0,7	0,7	MPa
	Peso a vuoto				85	97	96	106	kg
	Peso operativo				277	347	283	353	kg
	Dimensioni (φxh)				621 x 1607	621 x 1892	621 x 1607	621 x 1892	mm
	Temperatura massima dell'acqua calda con la pompa di calore				62	62	62	62	°C
	Temperatura massima dell'acqua calda con il riscaldatore elettrico aggiuntivo				75	75	75	75	°C
Serbatoio	Materiale				Acciaio smaltato		-		
	Protezione catodica				Anodo in bacchetta di magnesio		-		
	Tipo di isolante				Poliuretano		-		
	Spessore dell'isolante				50	50	50	50	mm
Dati elettrici della pompa di calore	Potenza di ingresso media di riscaldamento				430	430	430	430	W
	Potenza di ingresso massima				530	530	530	530	W
	Corrente di ingresso massima				2,43	2,43	2,43	2,43	A
Dati elettrici del riscaldatore elettrico	Tensione di alimentazione				230 Vca-50 Hz		-		
	Potenza di ingresso				1500	1500	1500	1500	W
	Corrente di ingresso				6,5	6,5	6,5	6,5	A
Dati elettrici pompa di calore + riscaldatore elettrico	Potenza di ingresso massima				1960	1960	1960	1960	W
	Corrente di ingresso massima				8,5	8,5	8,5	8,5	A
Circuito ad aria	Tipo di ventola				Centrifuga		-		
	Portata del volume aria				450	450	450	450	m ³ /h
	Pressione statica esterna disponibile				117	117	117	117	Pa
	Diametro dei condotti				160	160	160	160	mm
Circuito del refrigerante	Compressore				Rotante		-		
	Refrigerante				R134a		-		
	Carica di refrigerante				1	1	1	1	kg
	Evaporatore				Serpentina con alette di rame-alluminio		-		
	Condensatore				Tubo di alluminio avvolto all'esterno del serbatoio		-		
Bobina solare	Materiale				-	-	Acciaio smaltato	Acciaio smaltato	-
	Superficie				-	-	0,72	0,72	m ²
	Pressione massima				-	-	1	1	MPa
Dati conformi agli standard EN 16147: 2017 per zona climatica TEMPERATA (unità in modo ECOLOGICO, Setpoint acqua calda = 55°C; acqua in ingresso = 10°C; Temp. aria in ingresso = 7°C DB / 6°C WB)	Caricare il profilo				L	XL	L	XL	-
	Classe di efficienza energetica del riscaldamento acqua *				A+	A+	A+	A+	-
	Efficienza energetica del riscaldamento acqua - η _{wh}				135	138	135	138	%
	COP _{DHW}				3,23	3,37	3,23	3,37	-
	Volume massimo di acqua miscelata a 40°C - V ₄₀				247	340	241	335	dm ³
	Temperatura di riferimento dell'acqua calda - θ _{wh}				52,5	53,2	52,5	53,2	°C
	Uscita riscaldamento nominale - P _{nom}				1,339	1,249	1,339	1,249	kW
	Tempo di riscaldamento - t _h				06:27	09:29	06:27	09:29	hh:mm
* in conformità al regolamento Europeo 812/2013	Consumo annuo di elettricità - AEC				761	1210	761	1210	kWh
	Potenza di ingresso in stand-by (P _{es})				26	28	26	28	W
Dati conformi a EN 12102-2: 2019 Modalità ECO con temp. aria in ingresso = 7°C DB / 6°C WB	Livello della potenza acustica all'interno				53	51	53	51	dB(A)
	Livello della potenza acustica all'esterno				45	44	45	44	dB(A)

5. INFORMAZIONI IMPORTANTI

5.1 Conformità con i regolamenti europei

Questa pompa di calore è un prodotto destinato all'uso domestico in conformità con le seguenti direttive europee:

- Direttiva 2012/19/UE (WEEE)
- Direttiva 2011/65/UE sul divieto di utilizzo di certe sostanze pericolose nelle apparecchiature elettriche ed elettroniche (RoHS)
- Direttiva 2014/30/UE sulla compatibilità elettromagnetica (CEM)
- Direttiva 2014/35/UE sulla bassa tensione (LVD)
- Direttiva 2009/125/CE sulla progettazione eco-compatibile
- Regolamento 2017/1369/UE sull'etichettatura energetica

5.2 Classe di protezione dell'involucro

La classe di protezione dell'apparecchiatura è: **IP24**.

5.3 Limiti di funzionamento



DIVIETO! Questo prodotto non è progettato né destinato all'uso in ambienti pericolosi (per via della presenza di atmosfere potenzialmente esplosive - ATEX o con un livello IP richiesto più alto di quello dell'unità) oppure in applicazioni che richiedono delle caratteristiche di sicurezza (insensibile ai guasti, sicuro in caso di guasto) che possono essere dei sistemi e/o delle tecnologie per mantenere in vita o qualsiasi altro contesto in cui il malfunzionamento di un'applicazione può causare lesioni gravi o mortali a persone o animali, o gravi danni alle cose o all'ambiente.



NB! Se la possibilità che un difetto o un guasto del prodotto può causare danni (a persone, animali e cose), è necessario fornire un sistema di sorveglianza funzionale separato dotato di funzioni di allarme al fine di escludere tali danni. Inoltre, è necessario predisporre l'operazione di sostituzione!



L'apparecchio non è progettato per l'installazione all'aperto, bensì in un luogo "chiuso" non esposto agli elementi atmosferici.

5.4 Limiti di funzionamento

Il prodotto in questione è progettato esclusivamente per riscaldare l'acqua calda per usi sanitari entro i limiti descritti sotto. A tal fine, esso deve essere collegato all'alimentazione dell'acqua domestica e all'alimentazione elettrica (vedere il capitolo "6. INSTALLAZIONE E COLLEGAMENTI").

5.4.1 Gamma di temperature

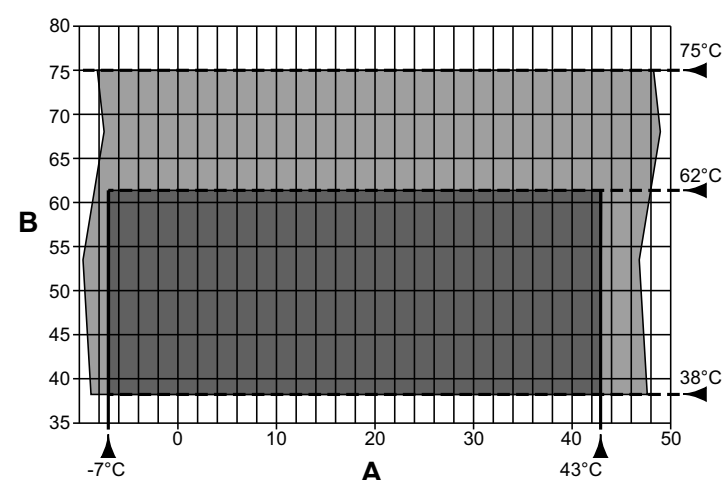


fig. 7- Tabella

A = Temperatura aria in entrata (°C)

B = Temperatura dell'acqua calda (°C)

■ = Gamma di funzionamento per la pompa di calore (HP)

■ = Integrazione solo con l'elemento riscaldatore

5.4.2 Durezza dell'acqua

L'unità non deve funzionare con acqua avente una durezza inferiore a 12°F; tuttavia, in caso di acqua particolarmente dura (al di sopra di 25°F), è consigliabile utilizzare un ammorbidente adeguatamente calibrato e monitorato per l'acqua, in questo caso la durezza residua non deve scendere al di sotto di 15°F.



NB! Nella fase di progettazione e costruzione degli impianti, devono essere rispettati i regolamenti e le disposizioni locali applicabili.

5.5 Regole di sicurezza di base

- Il prodotto deve essere utilizzato dagli adulti;
- Non aprire né smontare il prodotto quando è sotto tensione;
- Non toccare il prodotto se si è scalzi oppure con parti del corpo bagnate o umide;
- Non versare né spruzzare acqua sul prodotto;
- Non salire, non sedere e/o non posare alcun tipo di oggetto sul prodotto.

5.6 Informazioni sul refrigerante utilizzato

Questo prodotto contiene gas fluorurati ad effetto serra inclusi nel protocollo di Kyoto. Non liberare questi gas nell'atmosfera. Tipo di refrigerante: HFC-R134a.



NB! Le operazioni di manutenzione e smaltimento devono essere eseguite esclusivamente da personale qualificato.

6. INSTALLAZIONE E COLLEGAMENTI

6.1 Preparazione del luogo d'installazione

Il prodotto deve essere installato in un luogo idoneo, ovvero atto a consentire l'utilizzo normale e le operazioni di regolazione, oltre che la manutenzione ordinaria e straordinaria.

Lo spazio di funzionamento necessario, pertanto, deve essere predisposto facendo riferimento alle dimensioni fornite nella fig. 8 e nella fig. 9.

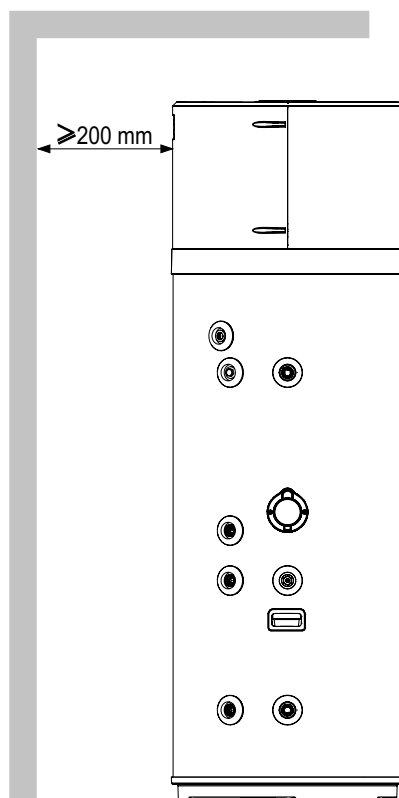


fig. 8- Spazi minimi

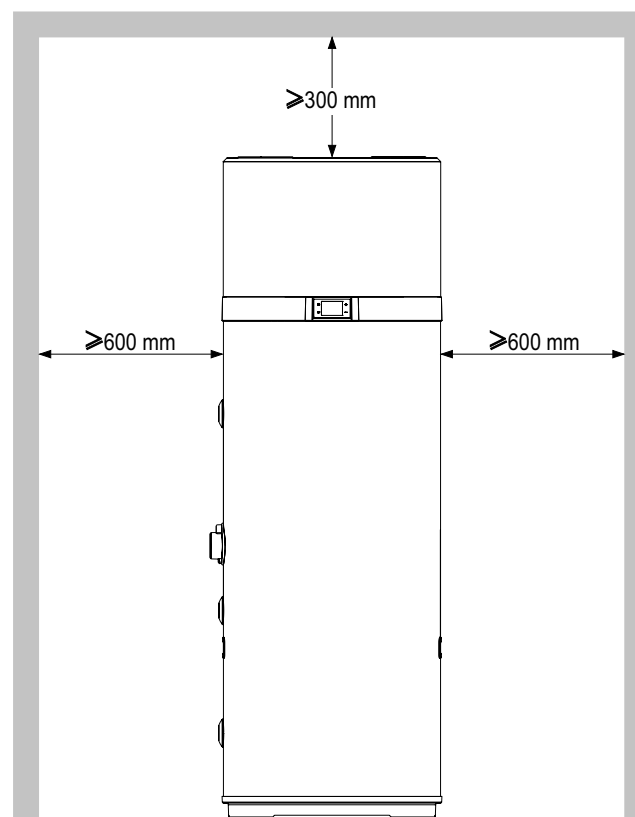


fig. 9- Spazi minimi

L'ambiente, inoltre, deve essere:

- Equipaggiato con linee di alimentazione dell'acqua e dell'elettricità adeguate;
- Predisposto per il collegamento di scarico dell'acqua di condensa;
- Predisposto con scarichi per l'acqua adeguati in caso di danneggiamento della caldaia o intervento della valvola di sicurezza oppure in caso di rottura dei tubi/dei collegamenti;
- Equipaggiato con sistemi di contenimento possibili in caso di perdita d'acqua ingente;
- Illuminato a sufficienza (ove richiesto);
- Dotato di un volume non inferiore a 20 m³;
- Protetto contro il gelo e secco.



ATTENZIONE! Per evitare la propagazione delle vibrazioni meccaniche, non installare l'apparecchiatura su pavimenti con travi di legno (per esempio nell'attico).

6.2 Fissaggio al pavimento

Per fissare il prodotto al pavimento, applicare le staffe fornite come mostrato nella fig. 10.

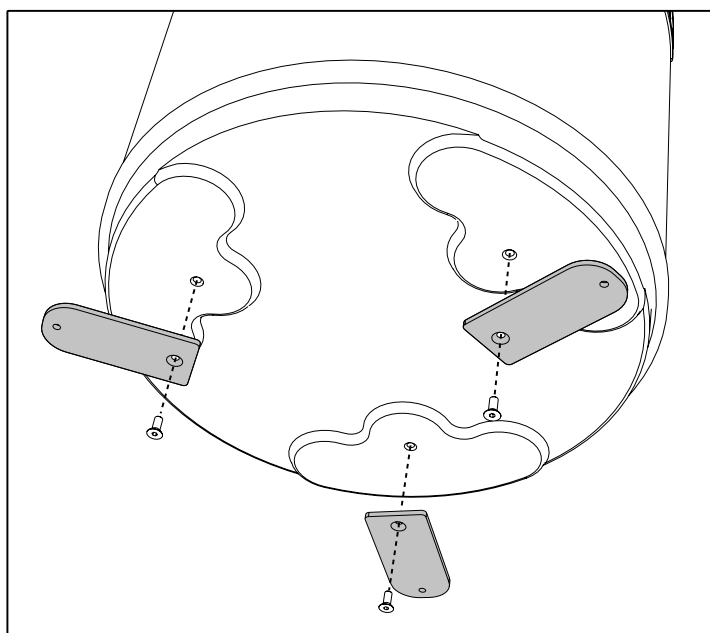


fig. 10- Fissaggio delle staffe

Quindi, assicurare l'unità al pavimento con l'aiuto di tasselli adatti, che non sono forniti, come mostrato nella fig. 11.

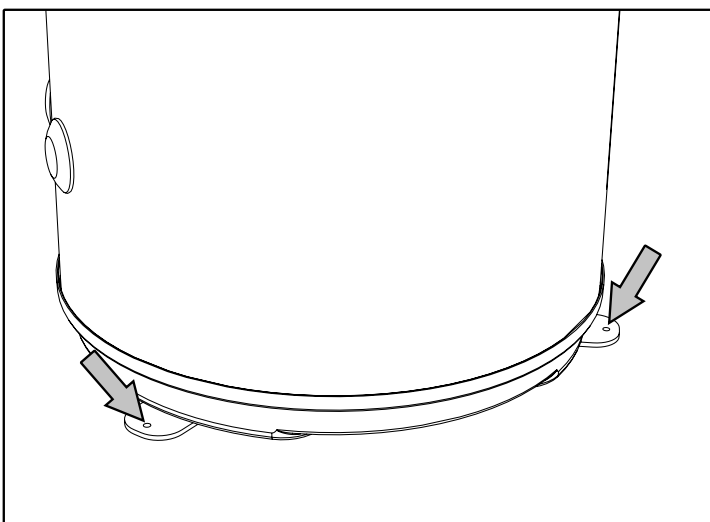


fig. 11- Fissaggio al pavimento

6.3 Collegamenti pneumatici

Oltre agli spazi indicati in 6.1, la pompa di calore necessita di una ventilazione dell'aria adeguata. Creare un canale per l'aria dedicato, come indicato nella fig. 12.

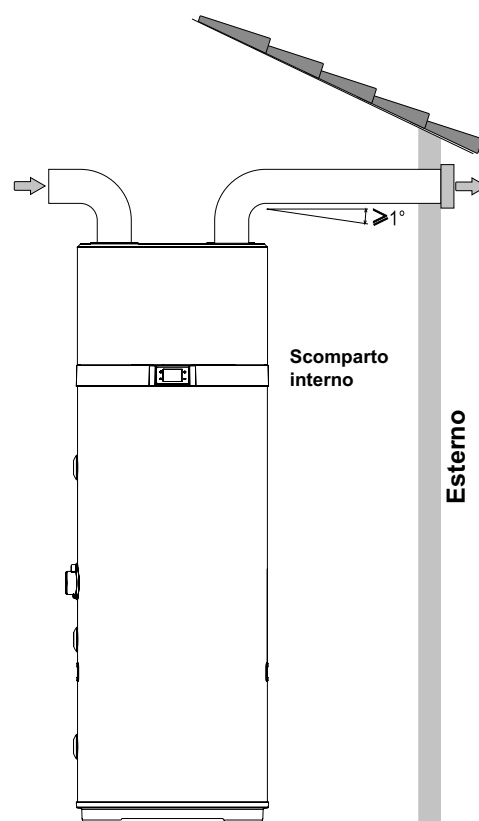


fig. 12- Esempio di collegamento di uscita aria

È anche importante assicurare una ventilazione adeguata dell'ambiente contenente l'unità. Nella figura sotto (fig. 13) è mostrata una soluzione alternativa: essa prevede un secondo condotto che preleva l'aria dall'esterno anziché direttamente dall'ambiente interno.

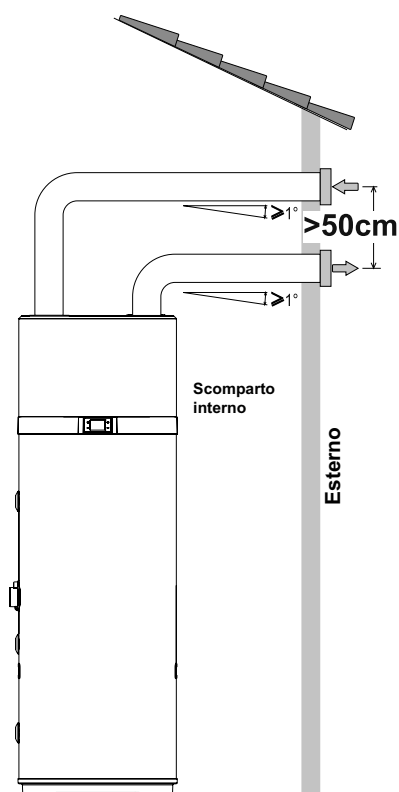


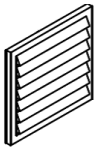


fig. 13- Esempio di collegamento di uscita aria

Installare ciascun canale per l'aria, assicurandosi del fatto che:

- Non poggi il proprio peso sull'apparecchiatura.
- Consenta le operazioni di manutenzione.
- Sia protetto adeguatamente per prevenire l'ingresso accidentale di materiali nell'apparecchiatura.
- Il collegamento con l'esterno deve essere effettuato con tubazioni adatte non infiammabili.
- La lunghezza equivalente totale dei tubi di estrazione più quelli di mandata, incluse le griglie, non deve superare i 12 m.

La tabella fornisce i dati caratteristici dei componenti commerciali dei condotti con riferimento ai flussi d'aria nominali e ai diametri di 160 mm.

Dati	Tubo dritto liscio	Curva costante a 90°	Griglia	UM
Tipo				
Lunghezza effettiva	1	1	1	m
Lunghezza equivalente	1	2	2	m

i Durante il funzionamento, la pompa di calore tende ad abbassare la temperatura ambiente se il condotto dell'aria non porta all'esterno.

i Si dovrà installare una griglia di protezione idonea in corrispondenza del tubo di estrazione dell'aria verso l'esterno, per impedire ai corpi estranei di entrare all'interno dell'apparecchiatura. Per assicurare le massime prestazioni del prodotto, la griglia deve essere selezionata fra quelle con basse perdite di pressione.

i Per evitare la formazione di acqua di condensa: isolare i tubi di estrazione dell'aria e i collegamenti dei coperchi dell'aria intubati con una copertura termica a tenuta di vapore avente uno spessore adeguato.

i Installare dei silenziatori, se ritenuto necessario, per prevenire il rumore causato dal flusso. Dotare di sistemi di smorzamento delle vibrazioni i tubi, le uscite a parete e i collegamenti con la pompa di calore.

6.3.1 Installazione speciale

Una delle peculiarità dei sistemi di riscaldamento a pompa di calore è che queste unità abbassano notevolmente la temperatura dell'aria, che generalmente viene espulsa all'esterno dell'abitazione. Oltre a essere più fredda dell'aria ambiente, l'aria espulsa è anche completamente deumidificata, pertanto è possibile riportare il flusso dell'aria all'interno per il raffreddamento, d'estate, di ambienti o aree specifici.

L'installazione prevede la suddivisione del tubo di estrazione, che è dotato di due serrandine ("A" e "B") per dirigere il flusso d'aria all'esterno (fig. 15) oppure all'interno dell'abitazione (fig. 14).

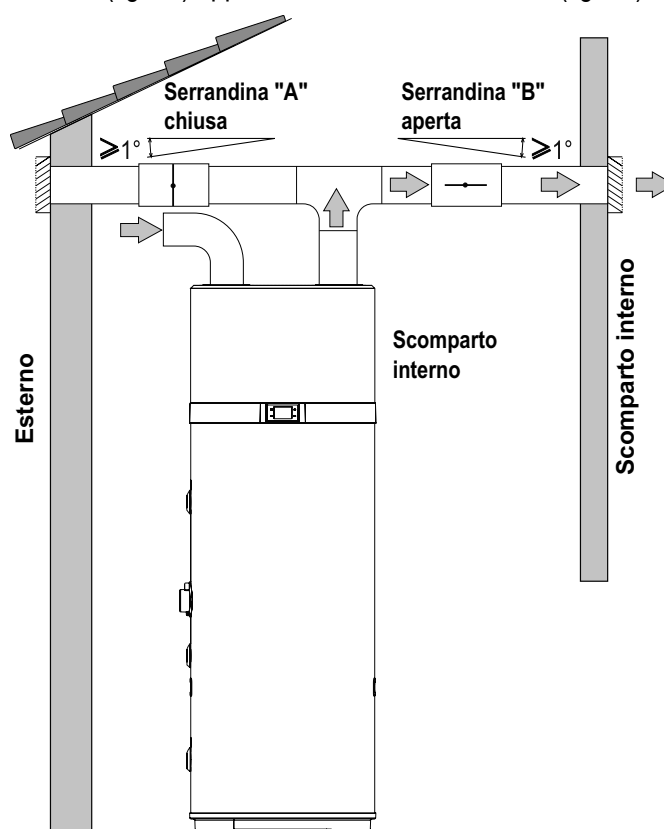


fig. 14- Esempio di installazione nel periodo estivo

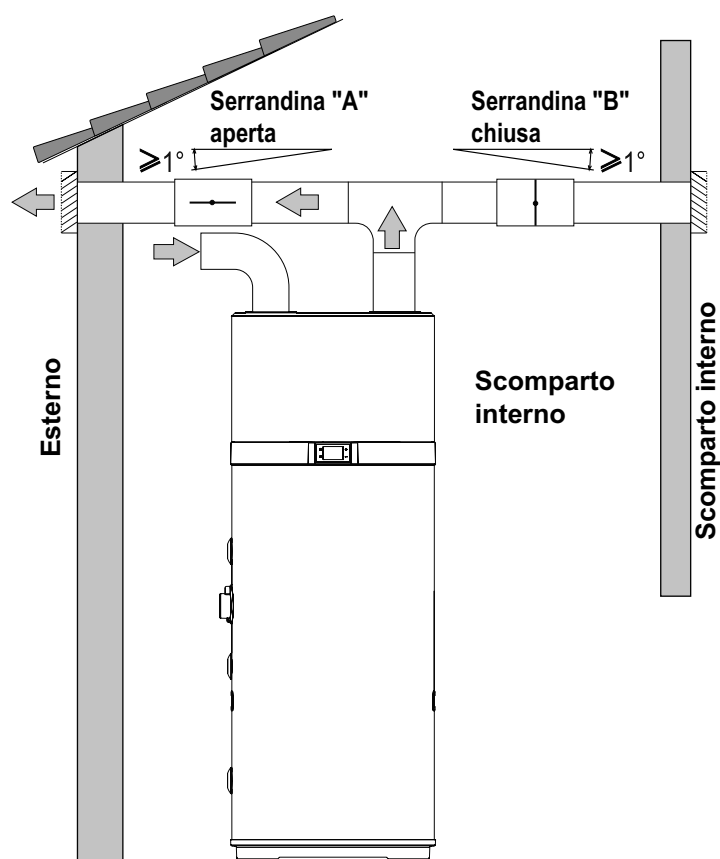


fig. 15- Esempio di installazione nel periodo invernale

6.4 Fissaggio e collegamento di questo apparecchio

Il prodotto deve essere installato su un pavimento piatto e solido che non sia soggetto a vibrazioni.

6.5 Collegamenti idraulici

Collegare la linea di alimentazione dell'acqua e la linea di uscita ai punti di collegamento appropriati (fig. 16).

La tabella sotto riporta le caratteristiche dei punti di collegamento.

Rif.	Funzione	Modello 200 I / 260 I
1	Entrata dell'acqua fredda	1"G
2*	Uscita della bobina solare	3/4"G
3*	Entrata della bobina solare	3/4"G
4	Ricircolo	3/4"G
5	Uscita dell'acqua calda	1"G
6	Scarico della condensa	1/2"G
A*	Pozzetto per sonda solare e bulbo del disgiuntore termico	1/2"G

*: solo per i modelli EKHHE200PCV37 e EKHHE260PCV37.

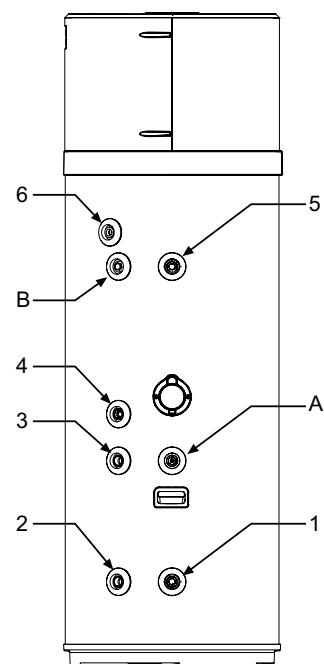


fig. 16

La figura seguente (fig. 17) illustra un esempio di collegamento idraulico.

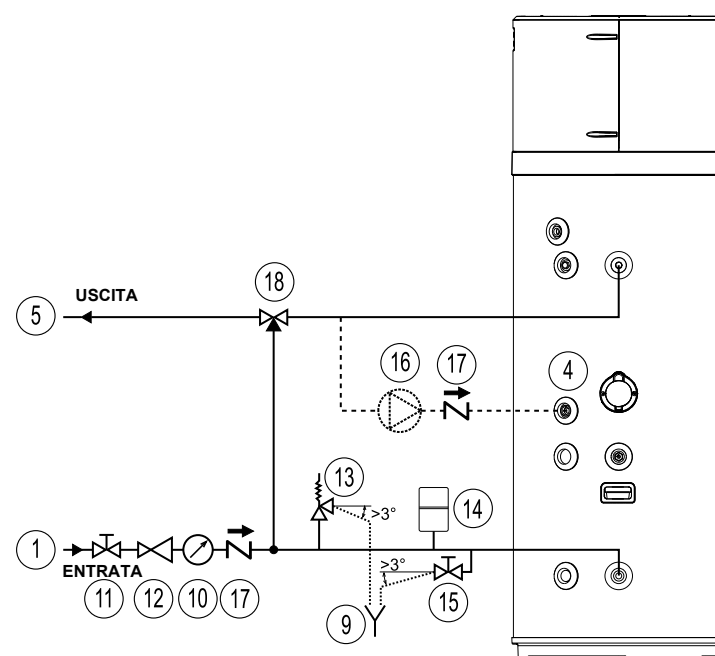


fig. 17- Esempio di sistema idraulico

Legenda (fig. 17)

- | | | | |
|----|---|----|---|
| 1 | Tubo di entrata | 13 | Valvola di sicurezza |
| 4 | Entrata dell'acqua di ricircolo | 14 | Serbatoio di espansione |
| 5 | Tubo di uscita dell'acqua calda | 15 | Rubinetto di scarico |
| 9 | Estremità ispezionabile del tubo di scarico | 16 | Pompa di ricircolo dell'acqua calda |
| 10 | Manometro | 17 | Valvola di non ritorno a molla |
| 11 | Valvola di chiusura | 18 | Apparecchiatura di miscelazione con termostato automatica |
| 12 | Regolatore di pressione | | |

6.5.1 Collegamento di scarico della condensa

La condensa che si forma durante il funzionamento della pompa di calore scorre attraverso uno speciale tubo di scarico (1/2" G) che passa all'interno dell'involucro isolante ed esce sul fianco dell'apparecchiatura.

Esso deve essere collegato, attraverso un pozzetto di intercettazione, a un condotto, in modo tale che la condensa possa scorrere in maniera regolare (fig. 18).

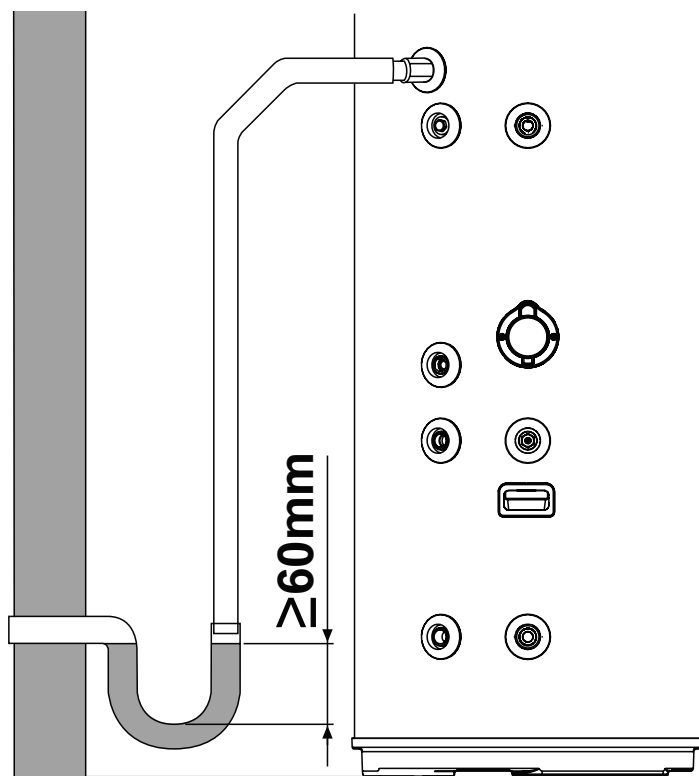


fig. 18- Esempi di collegamento di scarico della condensa attraverso un pozzetto di intercettazione

6.6 Integrazione con il sistema termico solare (solo per i modelli EKHHE200PCV37 e EKHHE260PCV37)

La figura che segue (fig. 19) mostra in che modo collegare l'apparecchiatura a un sistema termico solare controllato da un sistema di comando elettronico dedicato (non fornito) che presenta un'uscita di tipo "a contatto pulito" da collegare all'ingresso DIG.1 dell'apparecchiatura (vedere "6.7.1 Collegamenti a distanza").

Per utilizzare l'apparecchiatura in questa configurazione, è necessario impostare il parametro **P16 = 1** (vedere il par. 8.1).

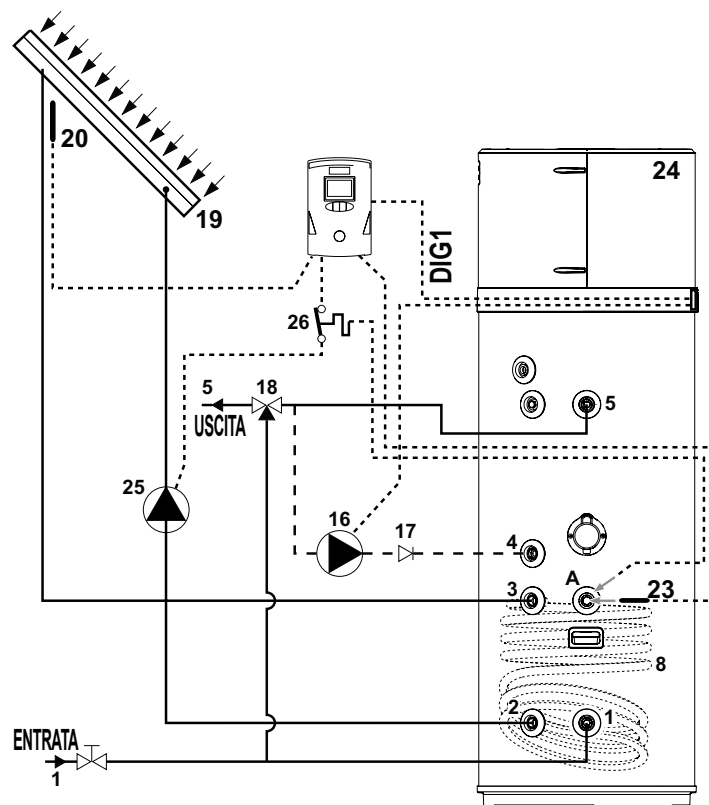


fig. 19

Le figure che seguono (fig. 20 e fig. 21) mostrano in che modo collegare l'apparecchiatura a un sistema termico solare controllato direttamente da quest'ultimo, senza l'aiuto di un sistema di comando elettronico dedicato.

Nella configurazione della fig. 20, in caso di temperatura eccessiva del collettore solare, viene attivata una valvola di scarico (non fornita) per scaricare in un serbatoio di raccolta dell'ACS (polmone) l'acqua calda contenuta nell'apparecchiatura. Tuttavia, nella configurazione della fig. 21, in questa condizione l'otturatore del collettore solare è chiuso.

In entrambi i casi, questo si verifica per consentire al collettore di raffreddarsi.

Per utilizzare l'apparecchiatura in entrambe queste configurazioni, è necessario impostare il parametro **P12 = 2** e **P16 = 2** (vedere il par.8.1).

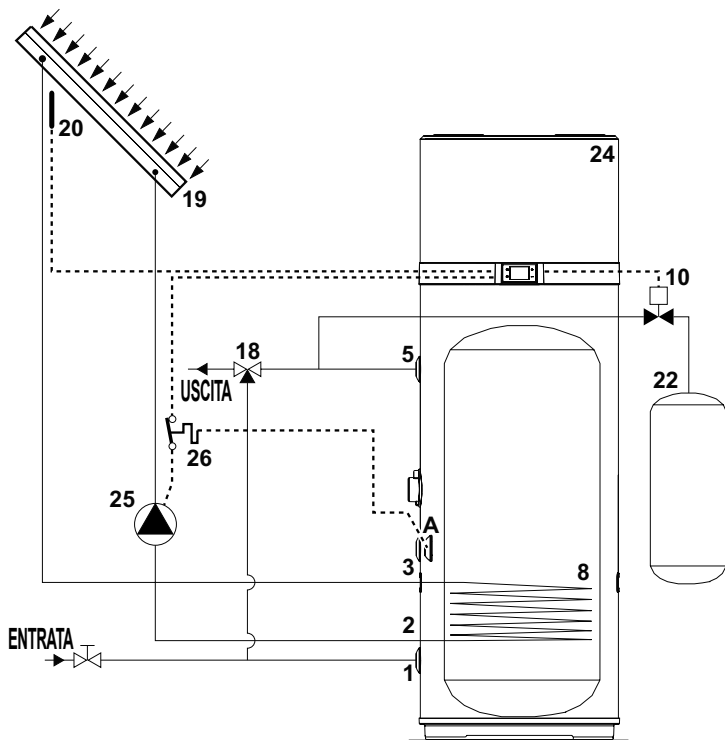


fig. 20

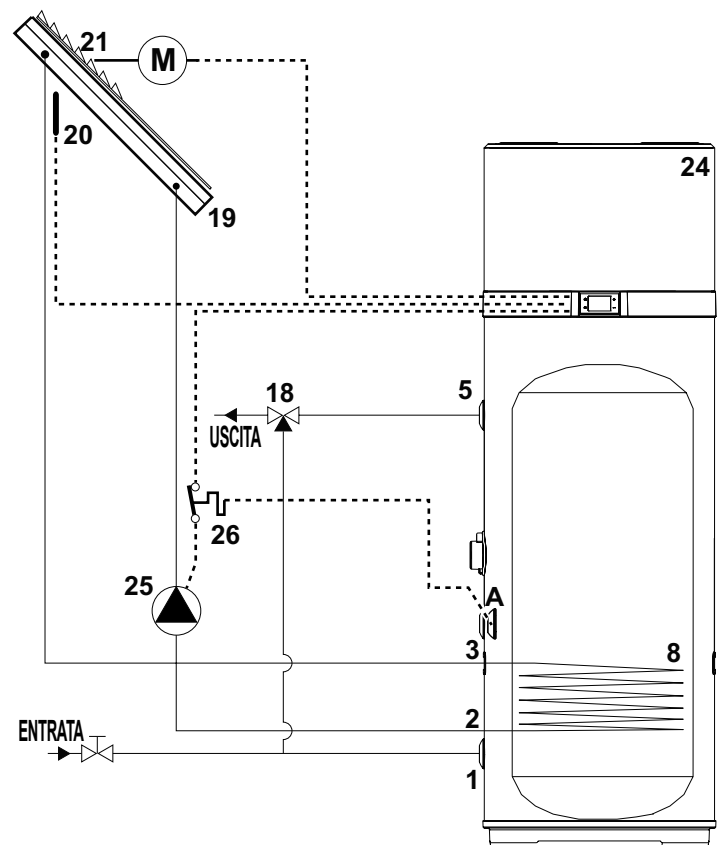


fig. 21

Legenda (fig. 19, fig. 20 e fig. 21)

- | | | | |
|----|---|----|---|
| 1 | Entrata dell'acqua fredda | 20 | Sonda del collettore solare (PT1000 non fornita*) |
| 2 | Uscita della serpentina solare | 21 | Otturatore del collettore solare |
| 3 | Entrata della serpentina solare | 22 | Polmone ACS |
| 4 | Ricircolo | 23 | Sonda della serpentina solare (non fornita) |
| 5 | Uscita dell'acqua calda | 24 | Pompa di calore |
| 8 | Serpentina solare termica | 25 | Pompa solare (tipo ATTIVATO/DISATTIVATO) |
| 10 | Valvola di scarico | 26 | Disgiuntore termico (fornito) per pompa solare |
| 16 | Pompa di ricircolo (Tipo Attivato/DISATTIVATO) | A | Pozzetto per sonda solare e disgiuntore termico |
| 17 | Valvola di non ritorno | | |
| 18 | Dispositivo di miscelazione termostatica automatica | | |
| 19 | Collettore solare | | |

* Consigliamo l'utilizzo della sonda del collettore solare PT1000 (disponibile nell'elenco accessori del costruttore)

6.7 Collegamenti elettrici

Prima di collegare l'apparecchio alla rete a CA, si deve effettuare un controllo sul sistema elettrico per verificare la conformità ai regolamenti vigenti e appurare che il sistema elettrico possa sopportare adeguatamente i valori massimi di consumo di energia del riscaldatore dell'acqua (vedere il paragrafo 4.2 per le caratteristiche tecniche), in termini di sezione dei cavi e conformità degli stessi ai regolamenti in vigore.

L'apparecchio viene fornito con un cordoncino di alimentazione dotato di spina Schuko (fig. 23) e per la connessione alla rete a CA è necessario quanto segue:

- una presa a muro Schuko con messa a terra e protezione separata (fig. 22);
- un interruttore di protezione onnipolare da 16 A con un'apertura dei contatti di almeno 3 mm;
- un interruttore di protezione differenziale da 30 mA.

È vietato l'uso di prese di uscita multiple, cavi di prolunga o adattatori. È vietato l'uso di tubazioni derivanti dai sistemi idraulico, di riscaldamento e del gas per la messa a terra dell'apparecchio. Prima di azionare la macchina, assicurarsi che la tensione della rete elettrica sia conforme al valore indicato sulla targhetta dati dell'apparecchio.

Il costruttore dell'apparecchio declina ogni responsabilità per eventuali danni provocati dalla mancata messa a terra del sistema oppure dovuti ad anomalie dell'alimentazione elettrica.

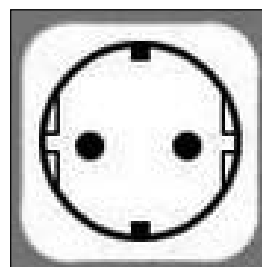


fig. 22 - Presa Schuko

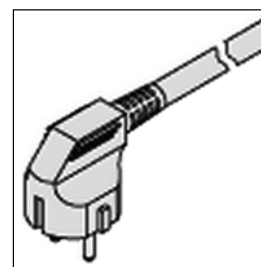


fig. 23 - Spina dell'unità

6.7.1 Collegamenti a distanza

L'apparecchiatura è progettata per essere collegata ad altri sistemi energetici o contatori di energia a distanza (solari termici, fotovoltaici, in ore vuote)

INGRESSI

- Digitale 1 (**DIG1**). Ingresso digitale per sistema solare termico (solo per i modelli **PCV3**). In caso di un sistema solare termico con unità di comando dedicata, quest'ultima può essere collegata all'apparecchiatura per disattivare la pompa di calore quando è in corso la produzione di energia dalla fonte solare. Avendo un contatto pulito che si chiude quando è attivo il sistema solare, esso può essere collegato ai due fili **bianco** e **marrone** del cavo a 6 trefoli fornito con l'apparecchiatura.

Impostare il parametro **P16 = 1** per attivare la porzione supplementare con il sistema solare termico.

- Digitale 2 (**DIG2**). Ingresso digitale per il sistema fotovoltaico. In caso di un sistema fotovoltaico collegato all'impianto, questo può essere utilizzato per sottrarre energia sotto forma di acqua calda nei periodi di sovrapproduzione. Se esiste un contatto pulito, per esempio dall'inverter, che si chiude quando c'è una sovrapproduzione di energia, esso può essere collegato ai due fili **verde** e **giallo** del cavo a 6 trefoli fornito con l'apparecchiatura. Impostare il parametro **P23 = 1** per attivare la porzione supplementare con il sistema fotovoltaico.

- Digitale 3 (**DIG3**). Ingresso per utilizzo in ore vuote. Questa funzione, disponibile solo in certi paesi, consente all'apparecchiatura di essere attivata solo se è presente un segnale proveniente dall'esterno con tariffa preferenziale. Se il contattore elettrico dispone di un contatto pulito che si chiude quando è disponibile la tariffa preferenziale, esso può essere collegato ai due fili **grigio** e **rosa** del cavo a 6 trefoli fornito con l'apparecchiatura.

Impostare il parametro **P24 = 1** per attivare l'utilizzo in ore vuote nel modo ECOLOGICO oppure **P24 = 2** per l'utilizzo in ore vuote nel modo AUTO.

- Ingresso digitale (**LPSW**) per il flussostato del sistema solare termico/pompa di ricircolo dell'ACS (non fornita)
- Ingresso analogico (**PT1000**) per la sonda del collettore solare.

USCITE

230 V c.a. - uscita del relè da 16 A con contatto N.A. per sistema solare termico/pompa di ricircolo dell'ACS (tipo ATTIVATO/DISATTIVATO).

230 V c.a. - uscita del relè da 5 A con contatto N.A. per l'otturatore del collettore solare/valvola di scarico.

Solo per i modelli **PCV3**



Nota: Per ulteriori informazioni sui collegamenti a distanza e sulla configurazione dell'apparecchiatura con questi sistemi, vedere il par. "7.5 Modo di funzionamento" e "8.1.1 Elenco dei parametri dell'utente".

6.7.1.1 Collegamento a distanza

Per il collegamento agli ingressi digitali, l'apparecchiatura è dotata di un cavo a 6 trefoli supplementare già collegato alla PCBA dell'interfaccia utente (ubicata all'interno del dispositivo). I collegamenti a distanza con possibili sistemi energetici rientrano sotto la responsabilità dell'installatore qualificato (scatole di collegamento, terminali e cavi di collegamento).

Le figure sotto forniscono un esempio di collegamento a distanza (fig. 24 e fig. 25), che non deve essere più lungo di **3 m**.

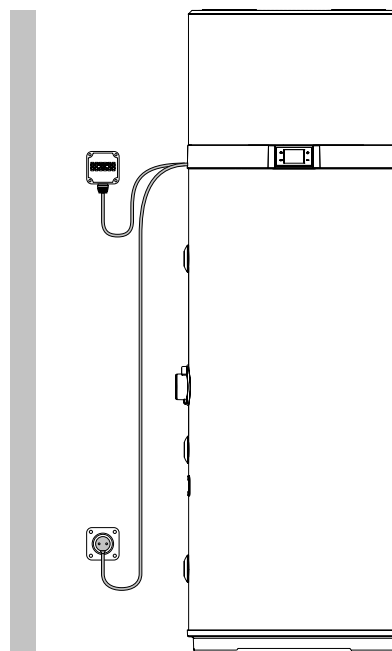


fig. 24- Esempio di collegamento a distanza

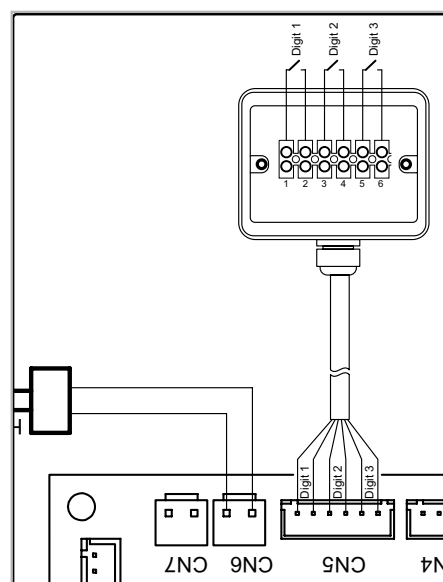


fig. 25

Per accedere al cavo a 6 trefoli per il collegamento a distanza, all'esterno il cavo, già presente all'interno dell'unità, attraverso il coperchio superiore della caldaia e fare correre l'apposito serracavo installato nel coperchio posteriore.

6.8 Schema elettrico

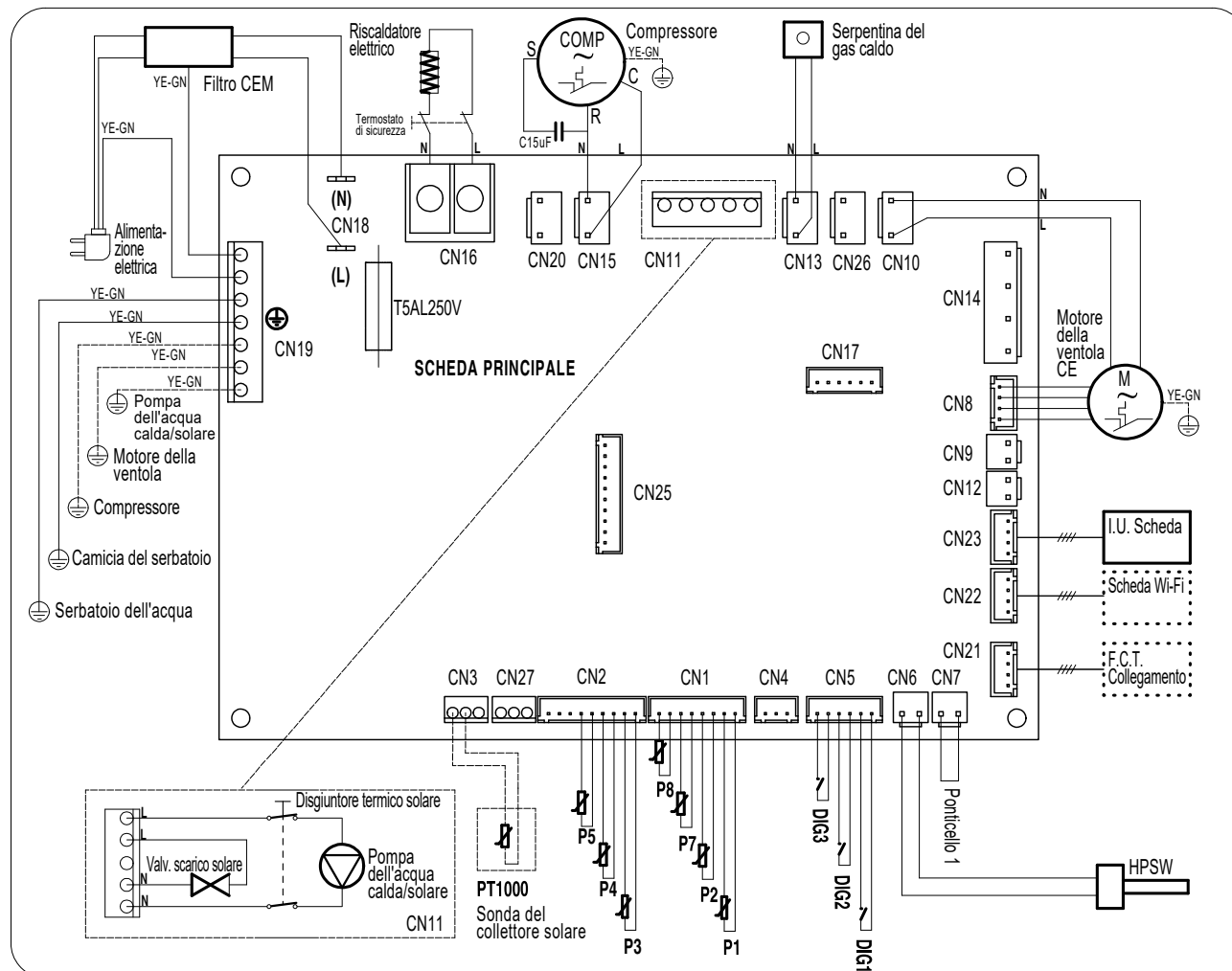


fig. 26- Schema elettrico dell'apparecchiatura

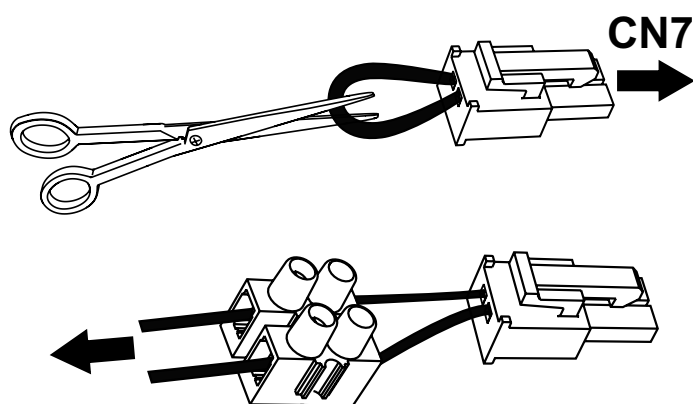
Descrizione dei collegamenti disponibili sulla scheda di alimentazione

CN1	Sonde NTC per aria, sbrinamento e acqua	CN13	Alimentazione elettrica della valvola di sbrinamento con gas caldi
CN2	Non utilizzabile	CN14	Non utilizzabile
CN3	Sonda per gestione del sistema solare termico - <i>Solo per i modelli PCV3</i>	CN15	Alimentazione elettrica del compressore
CN4	Non utilizzabile	CN16	Alimentazione elettrica dell'elemento riscaldatore
CN5	Ingressi digitali solari, FV, utilizzo in ore vuote	CN17	Non utilizzabile
CN6	Pressostato alta pressione	CN18	Alimentazione elettrica della rete 230 V - 1 PH - 50 Hz
CN7	Flussostato per sistema solare termico/pompa di ricircolo dell'ACS (non fornito)	CN19	Collegamenti a terra
CN8	Comando di modulazione d'impulsi in durata per ventola elettronica (CE)	CN20	Alimentazione elettrica a 230 V c.a. per il convertitore del sistema anodico a corrente impressa
CN9+CN12	Non utilizzabile	CN21	Collegamento con ispezione/collaudo a fine linea
CN10	CE alimentazione elettrica della ventola, CA	CN22	Collegamento della scheda WI-FI (non fornita)
CN11	Sistema solare termico/pompa di ricircolo dell'ACS (tipo ATTIVATO/DISATTIVATO), valvola di scarico od otturatore del collettore solare - <i>Solo per modelli PCV3</i>	CN23	Collegamento dell'interfaccia utente
		CN25	Non utilizzabile

Per collegare un flussostato di sicurezza per il circuito solare termico/ di ricircolo dell'acqua calda all'apparecchiatura, procedere come segue (riservato esclusivamente al personale tecnico qualificato):

- Scollegare la corrente dall'apparecchiatura.
- Rimuovere il coperchio superiore dell'apparecchiatura e quindi il coperchio della scheda di alimentazione.
- Scollegare il "ponticello" (ponticello 1) dal connettore CN7 della scheda di alimentazione, quindi tagliare il conduttore che forma il ponticello al centro e collegarlo a un terminale idoneo.
- Poi, collegare un flussostato di tipo normalmente chiuso (N.C.) e collegare ogni elemento al CN7.
- Rimontare tutte le parti di plastica e assicurarsi che l'apparecchiatura sia correttamente installata prima di dare corrente.

Se invece si utilizza un flussostato di tipo normalmente aperto (N.A.), è necessario impostare il parametro **P15 = 1** (vedere il par.8.1).



Per collegare il disgiuntore termico (fornito) per la pompa di ricircolo solare, procedere come segue (riservato esclusivamente al personale tecnico qualificato):

- Scollegare la corrente dall'apparecchiatura;
- Inserire il bulbo a fondo all'interno dell'apposito pozzetto sul serbatoio ("A") e chiudere il serracavo;
- Svolgere il tubo capillare quanto basta per disporre il disgiuntore termico all'interno di una scatola adatta fissata al muro;
- Collegare il disgiuntore termico in serie con i collegamenti di fase ("L") e neutro ("N") della pompa di ricircolo solare, per la sconnessione di tutti i poli.
- Verificare tutti i collegamenti prima di dare corrente all'apparecchio.

7. DESCRIZIONE DELL'INTERFACCIA UTENTE E DEL FUNZIONAMENTO DELL'APPARECCHIATURA

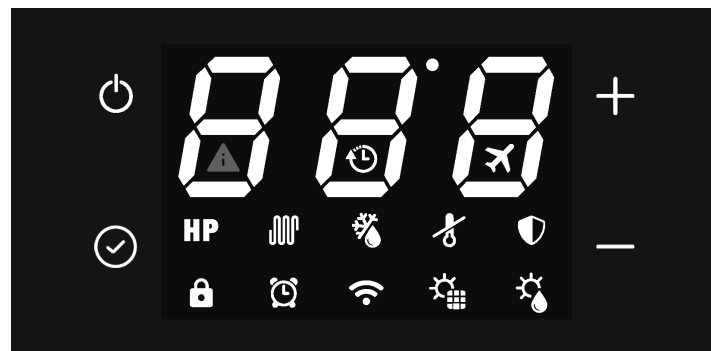


fig. 27

Descrizione	Simbolo
Pulsante "Attivato/Disattivato" per accendere, mettere il prodotto in modo Standby, sbloccare i pulsanti, salvare le modifiche	
Pulsante "Imposta" per modificare il valore dei parametri, confermare;	
Pulsante "Aumenta" per aumentare il valore del setpoint, il parametro o la password	+
Pulsante "Diminuisce" per diminuire il valore del setpoint, il parametro o la password	-
Funzionamento della pompa di calore (modo ECOLOGICO)	HP
Funzionamento dell'elemento riscaldatore (modo ELETTRICO)	
Modo AUTOMATICO	HP +
Modo SURRISCALDAMENTO (i simboli lampeggiano)	HP +
Blocco pulsanti attivo	
Sbrinamento	
Protezione antigelo	
Ciclo anti-legionella	
Modo vacanza;	
Funzionamento con intervalli di tempo	
Impostazione orologio (il simbolo lampeggia)	
Collegato con il WI-FI (non disponibile per questi modelli)	
Modo fotovoltaico (con il simbolo lampeggiante, la porzione supplementare non è attiva)	
Modo solare termico (con il simbolo lampeggiante, la porzione supplementare non è attiva)	
Guasto o protezione attiva	
Modo di utilizzo in ore vuote (con il simbolo lampeggiante l'apparecchiatura rimane in standby)	

L'interfaccia utente di questo modello di riscaldatore dell'acqua è costituita da quattro pulsanti capacitivi e da un display a LED.

Non appena il riscaldatore dell'acqua riceve corrente, i quattro pulsanti vengono retroilluminati e tutte le icone e i segmenti del display si illuminano simultaneamente per 3 s.

Durante il normale funzionamento del prodotto, le tre cifre sul display indicano la temperatura dell'acqua in °C, misurata con la sonda dell'acqua superiore se il parametro P11 è impostato su 1 oppure con la sonda dell'acqua inferiore se P11 = 0.

Durante la modifica del setpoint del modo di funzionamento selezionato, sul display è visualizzata la temperatura del setpoint. Le icone indicano il modo di funzionamento selezionato, la presenza o meno di allarmi, lo stato di connessione al Wi-Fi e altre informazioni sullo stato del prodotto.

7.1 Portare su Attivato e Disattivato il riscaldatore dell'acqua e sbloccare i pulsanti

Quando il riscaldatore dell'acqua è correttamente alimentato, esso può essere "ATTIVATO" e, pertanto, in uno dei modi di funzionamento disponibili (ECOLOGICO, Automatico, ecc.) oppure in modo Standby.

Durante il modo Standby, i quattro pulsanti capacitivi sono retroilluminati per essere facilmente visibili, l'icona Wi-Fi è illuminata a seconda dello stato di collegamento con il router Wi-Fi esterno (non fornito) e, in assenza di allarmi o di protezione antigelo attiva, anche tutte le altre icone nonché i segmenti del display a tre cifre sono su Disattivato.

Accensione

Con il riscaldatore dell'acqua in modo Standby e la funzione "blocco pulsanti" attiva (icona del lucchetto in basso a sinistra illuminata), è necessario "sbloccare" innanzitutto i pulsanti premendo il pulsante ATTIVATO/DISATTIVATO per almeno 3 secondi (l'icona del lucchetto si spegne), quindi premere nuovamente il pulsante ATTIVATO/DISATTIVATO per 3 secondi per accendere il riscaldatore dell'acqua.




Spegnimento


Con il riscaldatore dell'acqua su Attivato e la funzione "blocco pulsanti" attiva, è necessario "sbloccare" innanzitutto i pulsanti premendo il pulsante ATTIVATO/DISATTIVATO per almeno 3 secondi, quindi premere nuovamente il pulsante ATTIVATO/DISATTIVATO per 3 secondi per spegnere il riscaldatore dell'acqua (portandolo in modo Standby).

In qualsiasi stato, una volta trascorsi 60 secondi dall'ultima pressione di uno qualsiasi dei quattro pulsanti d'interfaccia utente, la funzione di blocco pulsanti viene automaticamente attivata per impedire possibili interazioni con il riscaldatore dell'acqua, ad esempio ai bambini, ecc. Contemporaneamente, il livello di retroilluminazione dei pulsanti e del display diminuisce per ridurre il consumo energetico dell'unità.

Premendo uno qualsiasi dei quattro pulsanti, la retroilluminazione dei pulsanti e del display tornerà immediatamente al suo livello normale per una migliore visibilità.

7.2 Impostazione dell'orologio

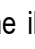
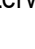
Con i pulsanti sbloccati, premere il pulsante  per 3 secondi per accedere alle impostazioni dell'orologio (il simbolo  lampeggia). Impostare l'ora con i pulsanti "+" e "-", premere "  " per confermare, quindi impostare i minuti.


Premere il pulsante  per confermare e uscire.


7.3 Impostazione degli intervalli di tempo


Prima di attivare gli intervalli di tempo, è necessario impostare l'orologio dell'apparecchiatura.


Selezionare il modo di funzionamento desiderato, quindi impostare gli intervalli di tempo.

Gli intervalli di tempo possono essere attivati solo nei modi ECOLOGICO - AUTOMATICO - SURRESCALDAMENTO - ELETTRICO e VENTILAZIONE. Con i pulsanti rilasciati, premere assieme il pulsante  e il pulsante "-" per 3 secondi, per impostare gli intervalli di tempo (compare il simbolo .

Impostare l'ora di accensione con i pulsanti "+" e "-", premere "  " per confermare, quindi impostare i minuti di accensione.




Premere  per confermare e passare all'impostazione dell'ora di spegnimento.

Premere  per confermare e quindi, usando i pulsanti "+" e "-", selezionare il modo di funzionamento desiderato per l'intervallo di tempo (ECOLOGICO, AUTOMATICO, SURRESCALDAMENTO, ELETTRICO, VENTILAZIONE).

Premere  per confermare e uscire.

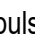
Nota: Al termine dell'intervallo di tempo, l'apparecchiatura entrerà in modo Standby e vi rimarrà fino alla ripetizione dell'intervallo di tempo il giorno seguente


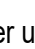
Per disattivare gli intervalli di tempo:

- impostare le durate di attivazione e disattivazione fino a mezzanotte (00:00);
- premere  per confermare;
- premere insieme il pulsante  e "-" per 3 secondi (il simbolo  si spegne).

7.4 Impostazione del setpoint dell'acqua calda

È possibile regolare il setpoint dell'acqua calda nei modi ECOLOGICO, AUTOMATICO, SURRESCALDAMENTO ed ELETTRICO

Selezionare il modo desiderato con il pulsante , quindi regolare il setpoint con i pulsanti "+" e "-".

Premere il pulsante  per confermare e  per uscire.


Modo	Setpoint dell'acqua calda	
	Gamma	Predefinito
ECOLOGICO	43-62°C	55°C
AUTOMATICO	43-62°C	55°C
SURRESCALDAMENTO	43-75°C*	55°C
ELETTRICO	43-75°C	55°C

* Nel modo SURRESCALDAMENTO, il valore massimo del setpoint per la pompa di calore è di 62°C. Pertanto, impostando un valore più alto, questo andrà considerato solo per l'elemento riscaldatore.

7.5 MODO DI FUNZIONAMENTO

Per il riscaldatore dell'acqua sono disponibili i seguenti modi:

- ECOLOGICO;
- SURRISCALDAMENTO;
- ELETTRICO;
- VENTILAZIONE;
- VACANZA;
- AUTOMATICO.

L'apparecchiatura è impostata sul modo ECO; premendo questo pulsante  è possibile selezionare il modo desiderato.

Per i modi ECOLOGICO, SURRISCALDAMENTO e AUTOMATICO, premendo insieme i pulsanti "+" e "-" per 3 secondi, è possibile attivare il "modo silenzioso" (per esempio durante la notte) per ridurre il rumore dell'apparecchiatura. In questa condizione, le prestazioni in termini di velocità di riscaldamento dell'acqua potrebbero essere inferiori.

Per disattivare questo modo, premere insieme i pulsanti "+" e "-" di nuovo per 3 secondi.

7.5.1 ECOLOGICO


Sul display appare il simbolo **HP**

Con questo modo si usa solo la pompa di calore entro i limiti di funzionamento del prodotto, per assicurare il massimo risparmio energetico possibile.

La pompa di calore viene accesa trascorsi 5 minuti dopo aver selezionato questo modo oppure dall'ultimo spegnimento.

In caso di spegnimento, nel giro dei primi 5 minuti, la pompa di calore rimarrà comunque accesa per assicurare almeno 5 minuti di funzionamento continuo.

7.5.2 SURRISCALDAMENTO

Sul display appare il simbolo **HP + ** lampeggiante.

Questo modo utilizza la pompa di calore e l'elemento riscaldatore, entro i limiti di funzionamento del prodotto, per assicurare un riscaldamento più rapido.

La pompa di calore viene accesa trascorsi 5 minuti dopo aver selezionato questo modo oppure dall'ultimo spegnimento.

In caso di spegnimento, nel giro dei primi 5 minuti, la pompa di calore rimarrà comunque accesa per assicurare almeno 5 minuti di funzionamento continuo.

L'elemento riscaldatore viene acceso immediatamente.

7.5.3 ELETTRICO

Sul display appare il simbolo .

In questo modo, viene utilizzato solo l'elemento riscaldatore entro i limiti di funzionamento del prodotto; esso è utile nelle situazioni di bassa temperatura aria in entrata.

7.5.4 VENTILAZIONE

Sul display appare il messaggio **FRn**.

Con questo modo si usa solo la ventola elettronica all'interno del dispositivo, e, se desiderato, consente il ricircolo dell'aria nell'ambiente d'installazione.

Nel modo automatico, la ventola verrà regolata sulla velocità minima.

7.5.5 VACANZA

Sul display appare il simbolo .


Questo modo è utile quando ci si assenta per un tempo limitato e, al ritorno, si desidera trovare automaticamente il dispositivo in funzione in modo automatico.

Usando i pulsanti + e - si possono impostare i giorni di assenza durante i quali si desidera che l'apparecchiatura rimanga in stand-by.

Premere  e poi Attivato/Disattivato per confermare.



7.5.6 AUTOMATICO

Sul display appare il simbolo **HP + **.

In questo modo, la pompa di calore viene usata e, se necessario, anche l'elemento riscaldatore, entro i limiti di funzionamento del prodotto, per assicurare il miglior comfort possibile.

La pompa di calore viene accesa trascorsi 5 minuti dopo aver selezionato questo modo oppure dall'ultimo spegnimento.


In caso di spegnimento, nel giro dei primi 5 minuti, la pompa di calore rimarrà comunque accesa per assicurare almeno 5 minuti di funzionamento continuo.


7.6 CARATTERISTICHE AGGIUNTIVE

7.6.1 Modo solare o o +

(Solo per i modelli PCV3)

Quando si attiva il modo solare dal menu dell'installatore, sono disponibili soltanto i modi ECOLOGICO - AUTOMATICO - VACANZA.


Quando sul display il simbolo  lampeggia, il modo solare non è operativo e l'unità funziona nel modo impostato: ECOLOGICO, AUTOMATICO o VACANZA.

Quando sul display il simbolo  è acceso, l'energia prodotta dal sistema solare viene utilizzata per riscaldare l'acqua nel serbatoio tramite la serpentina solare.

7.6.2 Modo fotovoltaico o o +

Quando si attiva il modo fotovoltaico dal menu dell'installatore, sono disponibili soltanto i modi ECOLOGICO - AUTOMATICO - VACANZA.

Quando sul display il simbolo  lampeggia, il modo fotovoltaico non è operativo e l'unità funziona nel modo impostato: ECOLOGICO, AUTOMATICO o VACANZA.


Quando sul display il simbolo  è acceso, l'energia prodotta dal sistema fotovoltaico viene utilizzata per riscaldare l'acqua nel serbatoio.


Con il modo ECO selezionato, la pompa di calore funzionerà fino al raggiungimento del setpoint e l'elemento riscaldatore è acceso finché non verrà raggiunto il setpoint fotovoltaico impostato dal menu dell'installatore.

Altrimenti, con il modo AUTOMATICO selezionato, è anche possibile accendere l'elemento riscaldatore prima di raggiungere il setpoint di questo modo, se le condizioni lo richiedono.

7.6.3 Modo di utilizzo in ore vuote o +

Quando si attiva il modo fotovoltaico dal menu dell'installatore, sono disponibili soltanto i modi ECOLOGICO - AUTOMATICO.

Quando sul display il simbolo  lampeggia, il modo di utilizzo in ore vuote non è in funzione. L'unità rimane in standby e la pompa di calore e l'elemento riscaldatore sono spenti.

Altrimenti, con il simbolo  sul display acceso fisso, l'unità funziona nel modo ECOLOGICO o AUTOMATICO.

7.6.4 Funzione anti-legionella

Sul display appare il simbolo .


Ogni due settimane, all'ora impostata, viene eseguito un ciclo di riscaldamento dell'acqua per mezzo dell'elemento riscaldatore all'interno del serbatoio, fino al raggiungimento della temperatura anti-legionella, mantenendola per il tempo impostato.

Se, al raggiungimento della temperatura anti-legionella, il ciclo non viene eseguito correttamente nel giro di 10 ore, esso viene arrestato e sarà eseguito nuovamente dopo 2 settimane.

Se la richiesta della funzione anti-legionella si verifica con il modo VACANZA selezionato, il ciclo anti-legionella viene eseguito immediatamente alla riattivazione dell'unità dopo i giorni di assenza impostati.

Parametri anti-legionella	Gamma	Predefinito
Setpoint della temperatura anti-legionella (P3)	50÷75°C	75°C
Durata del ciclo anti-legionella (P4)	0÷90 min	30 min
Tempo di attivazione del ciclo anti-legionella (P29)	0÷23 h	23 h

7.6.5 Funzione di sbrinamento

Sul display appare il simbolo .


Il dispositivo è dotato della funzione di sbrinamento automatico dell'evaporatore che viene attivata, quando le condizioni di funzionamento lo richiedono, durante il funzionamento della pompa di calore.

Lo sbrinamento ha luogo attraverso l'iniezione di gas caldo nell'evaporatore, e questo ne permette il rapido sbrinamento.

Durante lo sbrinamento, l'elemento riscaldatore di cui è dotata l'apparecchiatura viene spento, salvo diversa impostazione effettuata dal menu dell'installatore (parametro P6).

Lo sbrinamento ha una durata massima di 8 minuti.

7.6.6 Protezione antigelo












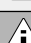

Sul display appare il simbolo .

Questa protezione impedisce che la temperatura dell'acqua all'interno del serbatoio raggiunga dei valori prossimi allo zero.

Con l'apparecchiatura in modo Standby, quando la temperatura dell'acqua all'interno del serbatoio è inferiore o uguale a 5°C (parametro configurabile dal menu dell'installatore), si attiva la funzione di protezione antigelo, che accende l'elemento riscaldatore fino al raggiungimento di 12°C (parametro configurabile dal menu dell'installatore).

7.7 Guasti/protezione

Quest'apparecchiatura è dotata di un sistema di autodiagnosi che copre certi guasti possibili o protezioni da condizioni di funzionamento anomale attraverso: il rilevamento, la segnalazione e l'adozione di una procedura d'emergenza fino alla risoluzione del guasto.

Guasti/protezione	Codice di errore	Indicazione sul display
Guasto sonda inferiore serbatoio	P01	 + P01
Guasto sonda superiore serbatoio	P02	 + P02
Guasto sonda sbrinamento	P03	 + P03
Guasto sonda aria in entrata	P04	 + P04
Guasto sonda di entrata evaporatore	P05	 + P05
Guasto sonda di uscita evaporatore	P06	 + P06
Guasto sonda del flusso compressore	P07	 + P07
Guasto sonda del collettore solare	P08	 + P08
Protezione dall'alta pressione	E01	 + E01
Allarme circuito solare/di ricircolo	E02	 +E02
Temperatura non adatta per l'allarme di funzionamento della pompa di calore (Con l'allarme attivo, l'acqua viene riscaldata solo con l'elemento riscaldatore)	PA	 +PA
Nessuna comunicazione (con l'allarme attivo l'apparecchiatura non funziona)	E08	 + E08
Guasto alla ventola elettronica	E03	 + E03

In caso di uno qualsiasi dei guasti sopra riportati, è necessario contattare il servizio di assistenza tecnica del costruttore, indicando il codice di errore riportato sul display.

8. MESSA IN FUNZIONE



ATTENZIONE! Controllare che l'apparecchiatura sia stata collegata al filo di messa a terra.



ATTENZIONE! Controllare che la tensione della linea sia quella indicata sulla targa dati dell'apparecchiatura.



AVVERTENZA: L'apparecchio può essere acceso soltanto dopo che è stato riempito con acqua.

Procedere con le operazioni seguenti per la messa in funzione:

- Una volta che l'apparecchio è stato installato e che sono stati effettuati tutti i collegamenti (pneumatici, idraulici, elettrici, ecc.), esso deve essere riempito con acqua della rete di alimentazione dell'acqua domestica. Per riempire l'apparecchio, è necessario aprire il rubinetto centrale della rete di alimentazione domestica e il rubinetto dell'acqua calda più vicino, assicurandosi al contempo che tutta l'aria presente nel serbatoio venga gradualmente espulsa.
- Non superare la pressione massima ammessa indicata nella sezione "dati tecnici generali".
- Controllare i dispositivi di sicurezza del circuito idraulico.
- Inserire la spina dell'unità della presa di alimentazione.
- Una volta inserita la spina, la caldaia è in modo Standby, il display rimane DISATTIVATO, il pulsante dell'alimentazione si illumina.
- Premere il pulsante ATTIVATO/DISATTIVATO, l'unità si attiverà in modo "ECO" (impostazione di fabbrica).

In caso di interruzione improvvisa dell'alimentazione, una volta ripristinata l'apparecchiatura ripartirà dal modo di funzionamento in cui si trovava prima dell'interruzione.

8.1 Interrogazione, modifica dei parametri di funzionamento

Quest'apparecchiatura è dotata di due menu distinti, rispettivamente per consultare e per modificare i parametri di funzionamento (vedere "8.1.1 Elenco dei parametri dell'utente"). Con l'apparecchiatura in funzione, i parametri possono essere consultati liberamente in qualsiasi momento sbloccando i pulsanti (vedere "7.1 Portare su Attivato e Disattivato il riscaldatore dell'acqua e sbloccare i pulsanti") e premendo assieme i pulsanti "☺" e "+" per 3 secondi. L'etichetta del primo parametro è mostrata sul display con la lettera "A". Premendo il pulsante "+" se ne visualizza il valore e, premendo nuovamente questo pulsante, viene visualizzata l'etichetta del secondo parametro "B", e così via. Usando i pulsanti "+" e "-" è quindi possibile fare scorrere avanti/indietro l'intero elenco di parametri.

Premere il pulsante "ATTIVATO/DISATTIVATO" per uscire.

La modifica di uno o più parametri di funzionamento può essere eseguita soltanto con l'apparecchiatura in modo Standby e richiede l'inserimento della password.



NB! "L'uso della password è riservato al personale qualificato; eventuali conseguenze dovute a errate impostazioni dei parametri saranno unica responsabilità del cliente. Pertanto, qualsiasi intervento richiesto dal cliente a un centro di assistenza tecnica autorizzato DAIKIN durante il periodo di garanzia standard, per problemi al prodotto dovuti a un'errata impostazione dei parametri protetti da password, non sarà coperto dalla garanzia standard".

Con i pulsanti sbloccati, **solo in modo Standby**, premere assieme i pulsanti "☺" e "+" per 3 secondi per accedere al menu di modifica dei parametri dell'apparecchiatura (protetto da password: 35). Sul display appaiono le due cifre "00". Premere il pulsante "☺". La cifra "0" sulla sinistra lampeggia e con "+" e "-" si deve selezionare il primo numero da inserire (3) e premere "☺" per confermare. Procedere nella stessa maniera per la seconda cifra (5).

Se la password è corretta, sarà visualizzato il parametro P1. Premendo il pulsante "+", verrà visualizzato il valore predefinito di questo parametro, che può essere cambiato premendo "☺", quindi usando i pulsanti "+" e "-" sarà possibile cambiare il valore entro il campo ammesso per questo parametro. Poi, premere "☺" per confermare e il pulsante "+" per continuare con gli altri parametri.

Dopo aver modificato i parametri desiderati, premere il pulsante ATTIVATO/DISATTIVATO per salvare e uscire.

Ora l'apparecchiatura tornerà in modo Standby.

8.1.1 Elenco dei parametri dell'utente

Parametro	Descrizione	Gamma	Predefinito	Note
A	Sonda temperatura dell'acqua inferiore	-30÷99°C	Valore misurato	Non modificabile
B	Sonda temperatura dell'acqua superiore	-30÷99°C	Valore misurato	Non modificabile
C	Sonda temperatura di sbrinamento	-30÷99°C	Valore misurato	Non modificabile
D	Sonda temperatura aria di mandata	-30÷99°C	Valore misurato	Non modificabile
E	Sonda temperatura gas di entrata evaporatore	-30÷99°C	Valore misurato / "0°C" se P33 = 0	Non modificabile (1)
F	Sonda temperatura gas di uscita evaporatore	-30÷99°C	Valore misurato / "0°C" se P33 = 0	Non modificabile (1)
G	Sonda temperatura gas di scarico compressore	0÷125°C	Valore misurato / "0°C" se P33 = 0	Non modificabile (1)
H	Sonda temperatura del collettore solare (PT1000)	0÷150°C	Valore misurato / "0°C" se P16 = 2	Non modificabile (2)
I	Fase di apertura EEV	30÷500	Valore misurato / Valore di P40 se P39 = 1	Non modificabile (1)
J	Versione firmware della scheda di alimentazione	0÷99	Valore corrente	Non modificabile
L	Versione firmware dell'interfaccia utente	0÷99	Valore corrente	Non modificabile
P1	Isteresi della sonda acqua inferiore per la pompa di calore in funzione	2÷15°C	7°C	Modificabile
P2	Ritardo di accensione del riscaldatore elettrico	0÷90 min	6 min	Funzione esclusa
P3	Temperatura del setpoint anti-legionella	50°C÷75°C	75°C	Modificabile
P4	Durata del trattamento anti-legionella	0÷90 min	30 min	Modificabile
P5	Modo sbrinamento	0 = arresto compressore 1 = gas caldo	1	Modificabile
P6	Utilizzo del riscaldatore elettrico durante lo sbrinamento	0= DISATTIVATO 1= ATTIVATO	0	Modificabile
P7	Ritardo tra due cicli di sbrinamento consecutivi	30÷90 min	60 min	Modificabile
P8	Soglia di temperatura per l'avvio dello sbrinamento	-30÷0°C	-5°C	Modificabile
P9	Soglia di temperatura per l'arresto dello sbrinamento	2÷30°C	3°C	Modificabile
P10	Durata massima dello sbrinamento	3min÷12min	10 min	Modificabile
P11	Valore della sonda temperatura acqua mostrato sul display	0 = inferiore 1 = superiore	1	Modificabile
P12	Modo di utilizzo della pompa esterna	0 = sempre DISATTIVATO 1 = ricircolo dell'acqua calda 2 = Sistema termico solare	1	Modificabile
P13	Modo di funzionamento della pompa di ricircolo dell'acqua calda	0 = con pompa di calore 1 = sempre ATTIVATO	0	Modificabile
P14	Tipo di ventola dell'evaporatore (EC; AC; AC a doppia velocità; EC con controllo dinamico della velocità)	0 = EC 1 = CA 2 = CA a doppia velocità 3 = EC con controllo dinamico della velocità	3	Modificabile
P15	Tipo di flussostato di sicurezza del circuito di ricircolo dell'acqua calda / solare, selettore di bassa pressione	0 = NC 1 = NA 2 = selettore di bassa pressione	0	Modificabile
P16	Integrazione del modo solare	0 = permanentemente disattivata 1 = funzionante con DIG1 2 = Comando diretto del sistema termico solare	0	Modificabile (2)
P17	Ritardo di avvio della pompa di calore dopo l'apertura di DIG1	10÷60min	20 min	Modificabile (2)
P18	Valore della temperatura sonda acqua inferiore per arrestare la pompa di calore nell'integrazione del modo solare = 1 (funzionante con DIG1)	20÷60°C	40°C	Modificabile (2)
P19	Isteresi della sonda acqua inferiore per avviare la pompa nell'integrazione del modo solare = 2 (comando diretto del sistema termico solare)	5÷20°C	10°C	Modificabile (2)

Parametro	Descrizione	Gamma	Predefinito	Note
P20	Soglia di temperatura per l'intervento della valvola di scarico solare / otturatore avvolgibile del collettore solare nell'integrazione del modo solare = 2 (comando diretto del sistema termico solare)	100÷150°C	140°C	Modificabile (2)
P21	Valore della temperatura sonda acqua inferiore per arrestare la pompa di calore nell'integrazione del modo fotovoltaico	30÷70°C	62°C	Modificabile
P22	Valore della temperatura sonda acqua superiore per arrestare il riscaldatore elettrico nell'integrazione del modo fotovoltaico	30÷80°C	75°C	Modificabile
P23	Integrazione del modo fotovoltaico	0 = permanentemente disattivata 1 = attivata	0	Modificabile
P24	Modo di funzionamento nelle ore vuote	0 = permanentemente disattivato 1 = attivato con ECO 2 = attivato con AUTO	0	Modificabile
P25	Valore sfalsato sulla sonda di temp superiore dell'acqua	-25÷25°C	2°C	Modificabile
P26	Valore sfalsato sulla sonda di temp inferiore dell'acqua	-25÷25°C	2°C	Modificabile
P27	Valore sfalsato sulla sonda di temp presa d'aria	-25÷25°C	0°C	Modificabile
P28	Valore sfalsato sulla sonda di temp sbrinamento	-25÷25°C	0°C	Modificabile
P29	Ora d'inizio trattamento anti-legionella	0÷23 h	23 h	Modificabile
P30	Isteresi della sonda acqua superiore per il riscaldatore elettrico in funzione	2÷20°C	7°C	Modificabile
P31	Periodo di funzionamento della pompa di calore in modo AUTO per il calcolo del tasso di riscaldamento	10÷80 min	30 min	Modificabile
P32	Soglia di temperatura per l'utilizzo del riscaldatore elettrico in modo AUTO	0÷20°C	4°C	Modificabile
P33	Comando della valvola d'espansione elettronica (EEV)	0 = permanentemente disattivato 1 = attivato	1	Modificabile (1)
P34	Periodo di calcolo del super-riscaldamento per il modo di comando automatico dell'EEV	20÷90s	30 s	Modificabile (1)
P35	Setpoint del super-riscaldamento per il modo di comando automatico dell'EEV	-8÷15°C	4°C	Modificabile (1)
P36	Setpoint di annullamento del super-riscaldamento per il modo di comando automatico dell'EEV	60÷110°C	88°C	Modificabile (1)
P37	Fase di apertura dell'EEV durante il modo sbrinamento (x10)	5÷50	15	Modificabile (1)
P38	Fase di apertura minima dell'EEV con il modo di comando automatico (x10)	3~45	9	Modificabile (1)
P39	Modo di comando EEV	0= automatico 1 = manuale	0	Modificabile (1)
P40	Fase di apertura iniziale dell'EEV con modo di comando automatico / fase di apertura dell'EEV con modo di comando manuale (x10)	5÷50	25	Modificabile (1)
P41	Soglia di temperatura AKP1 per guadagno KP1 dell'EEV	-10÷10°C	-1	Modificabile (1)
P42	Soglia di temperatura AKP2 per guadagno KP2 dell'EEV	-10÷10°C	0	Modificabile (1)
P43	Soglia di temperatura AKP3 per guadagno KP3 dell'EEV	-10÷10°C	0	Modificabile (1)
P44	Guadagno KP1 dell'EEV	-10÷10	2	Modificabile (1)
P45	Guadagno KP2 dell'EEV	-10÷10	2	Modificabile (1)

Parametro	Descrizione	Gamma	Predefinito	Note
P46	Guadagno KP3 dell'EEV	-10÷10	1	Modificabile (1)
P47	Temperatura di entrata massima ammessa per la pompa di calore in funzione	38÷43°C	43°C	Modificabile
P48	Temperatura di entrata minima ammessa per la pompa di calore in funzione	-10÷10°C	-7°C	Modificabile
P49	Soglia della temperatura di entrata per l'evaporatore EC o CA con impostazione velocità del ventilatore a doppia velocità	10÷40°C	25°C	Modificabile
P50	Setpoint di temperatura dell'acqua inferiore antigelo	0÷15°C	12°C	Modificabile
P51	Setpoint della velocità superiore del ventilatore EC dell'evaporatore	60÷100%	90%	Modificabile
P52	Setpoint della velocità inferiore del ventilatore EC dell'evaporatore	10÷60%	50%	Modificabile
P53	Setpoint velocità di sbrinamento della ventola EC dell'evaporatore	0÷100%	50%	Modificabile
P54	Tempo di bypass pressostato di bassa pressione	1÷240 min	1	Modificabile
P55	Regolazione proporzionale temperatura dell'evaporatore intervallo 1	1÷20°C	4°C	Modificabile
P56	Temperatura differenziale con attivazione della velocità massima	P57÷20°C	2°C	Modificabile
P57	Temperatura differenziale con disattivazione della velocità massima	1°C÷P56	1°C	Modificabile
P58	Uso della ventola dell'evaporatore con il compressore spento	0= DISATTIVATO 1 = ATTIVATO con il controllo di velocità manuale 2 = ATTIVATO con il controllo di velocità automatico	0	Modificabile
P59	Velocità della ventola evaporatore (EC) con il compressore spento	0÷100%	40%	Modificabile
P60	Differenza 1 di temperatura di evaporazione dell'aria per il calcolo del setpoint	1÷25°C	4°C	Modificabile
P61	Differenza 2 di temperatura di evaporazione dell'aria per il calcolo del setpoint	1÷25°C	2°C	Modificabile
P62	Differenza 3 di temperatura di evaporazione dell'aria per il calcolo del setpoint	1÷25°C	6°C	Modificabile
P63	Differenza 4 di temperatura di evaporazione dell'aria per il calcolo del setpoint	1÷25°C	3°C	Modificabile
P64	Differenza 5 di temperatura di evaporazione dell'aria per il calcolo del setpoint	1÷25°C	10°C	Modificabile
P65	Differenza 6 di temperatura di evaporazione dell'aria per il calcolo del setpoint	1÷25°C	18°C	Modificabile
P66	Regolazione proporzionale temperatura dell'evaporatore intervallo 2	1÷20°C	2°C	Modificabile
P67	Regolazione proporzionale temperatura dell'evaporatore intervallo 3	1÷20°C	9°C	Modificabile
P68	Regolazione proporzionale temperatura dell'evaporatore intervallo 4	1÷20°C	5°C	Modificabile
P69	Regolazione proporzionale temperatura dell'evaporatore intervallo 5	1÷20°C	10°C	Modificabile
P70	Regolazione proporzionale temperatura dell'evaporatore intervallo 6	1÷20°C	5°C	Modificabile

Parametro	Descrizione	Gamma	Predefinito	Note
P71	Riduzione velocità della ventola EC dell'evaporatore con la modalità silenziosa	0÷40%	15%	Modificabile
P72	Guadagno regolatore velocità della ventola EC	1÷100	5	Modificabile

(1) = **NON UTILIZZABILI PER QUESTO DISPOSITIVO**

(2) = **SOLO PER I MODELLI "EKHHE200PCV37, EKHHE260PCV37"**

9. INDIVIDUAZIONE E RISOLUZIONE DEI PROBLEMI



AVVERTENZA: Non tentare riparazioni "fai da te" sull'apparecchio. I controlli seguenti sono riservati esclusivamente al personale qualificato.

Guasto	Azione consigliata
L'apparecchiatura non si accende	<ul style="list-style-type: none"> Controllare che il prodotto riceve effettivamente la corrente della rete. Scollegare l'apparecchiatura, quindi ricollegarla dopo alcuni minuti. Controllare il cavo di corrente all'interno del prodotto. Controllare che il fusibile sulla scheda di alimentazione sia intatto. In caso contrario, sostituirlo con un fusibile a ritardo di tempo da 5 A certificato CEI-60127-2/II.
Non è possibile riscaldare l'acqua attraverso la pompa di calore nel modo ECO o AUTOMATICO	<ul style="list-style-type: none"> Spegnere l'apparecchiatura, quindi riaccenderla dopo alcune ore. Scollegare l'apparecchiatura dalla rete, scaricare parte dell'acqua contenuta nel serbatoio (circa il 50%), quindi riaggiungerla e riaccendere l'apparecchiatura in modo ECO.
La pompa di calore rimane accesa senza mai arrestarsi	<ul style="list-style-type: none"> Senza prelevare acqua calda dal prodotto, controllare che abbia luogo correttamente, nel giro di poche ore, il riscaldamento tramite pompa di calore.
Non è possibile riscaldare l'acqua attraverso l'elemento riscaldatore integrato in modo AUTOMATICO	<ul style="list-style-type: none"> Spegnere l'apparecchiatura e controllare il termostato di sicurezza dell'elemento riscaldatore all'interno dell'apparecchiatura e resettarlo se necessario. Quindi, accendere l'apparecchiatura in modo AUTOMATICO. Scollegare l'apparecchiatura dalla rete, scaricare parte dell'acqua contenuta nel serbatoio (circa il 50%), quindi riaggiungerla e riaccendere l'apparecchiatura in modo AUTOMATICO. Accedere al menu dell'installatore e aumentare il valore del parametro P32, per esempio, a 7°C. Controllare che non sia scattato il termostato di sicurezza dell'elemento riscaldatore (vedere 9.2)

9.1 Sostituzione del fusibile della scheda di alimentazione

Procedere come indicato sotto (riservato esclusivamente al personale tecnico qualificato):

- Scollegare la corrente dall'apparecchiatura.
- Rimuovere il coperchio superiore dell'apparecchiatura e quindi il coperchio della scheda di alimentazione.
- Rimuovere il cappuccio del fusibile, quindi il fusibile, utilizzando un cacciavite adatto.
- Installare un nuovo fusibile a ritardo di tempo da 5 A certificato CEI-60127-2/II (T5AL250V), quindi rimettere il cappuccio di protezione.
- Rimontare tutte le parti di plastica e assicurarsi che l'apparecchiatura sia correttamente installata prima di dare corrente.

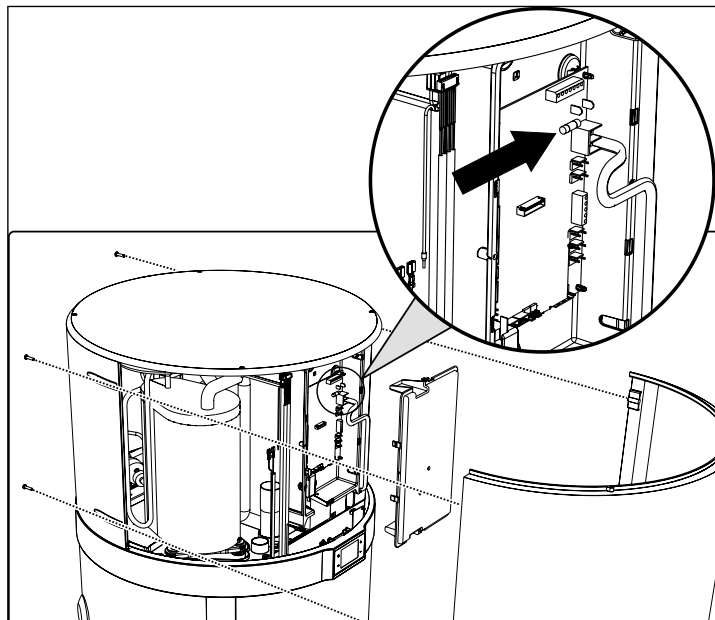


fig. 28

9.2 Resettaggio del termostato di sicurezza dell'elemento riscaldatore

Quest'apparecchiatura è dotata di un termostato di sicurezza a resettaggio manuale collegato in serie con l'elemento riscaldatore immerso nell'acqua, che interrompe l'alimentazione elettrica in caso di temperatura eccessiva all'interno del serbatoio.

Se necessario, procedere nel modo sotto riportato per resettare il termostato (riservato al personale tecnico qualificato):

- Scollegare il prodotto.
- Rimuovere gli eventuali condotti dell'aria.
- Rimuovere il coperchio superiore svitando innanzitutto le viti di bloccaggio (fig. 29).
- Rimuovere il pannello anteriore e resettare manualmente il termostato di sicurezza scattato (fig. 30). In caso di intervento, il perno centrale del termostato fuoriesce di circa 2 mm.

- Rimontare il coperchio superiore precedentemente rimosso.

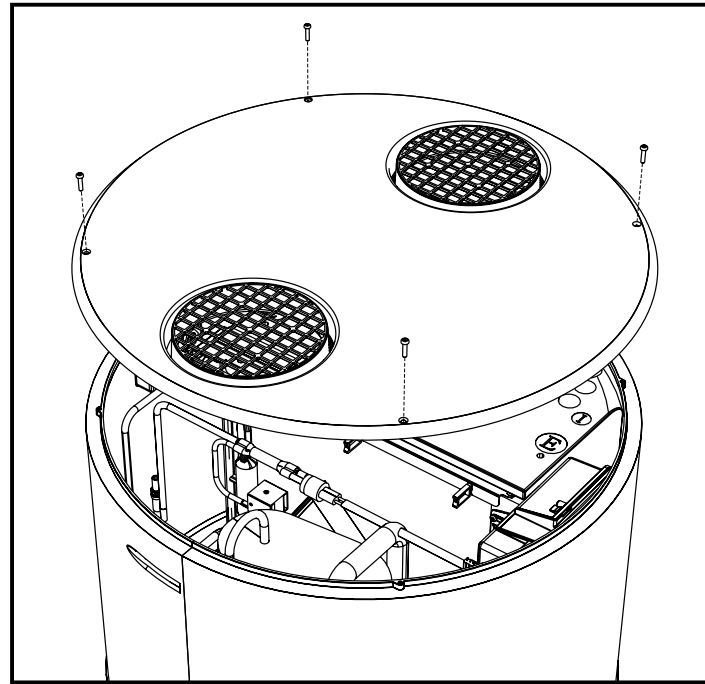


fig. 29- Rimozione del coperchio superiore

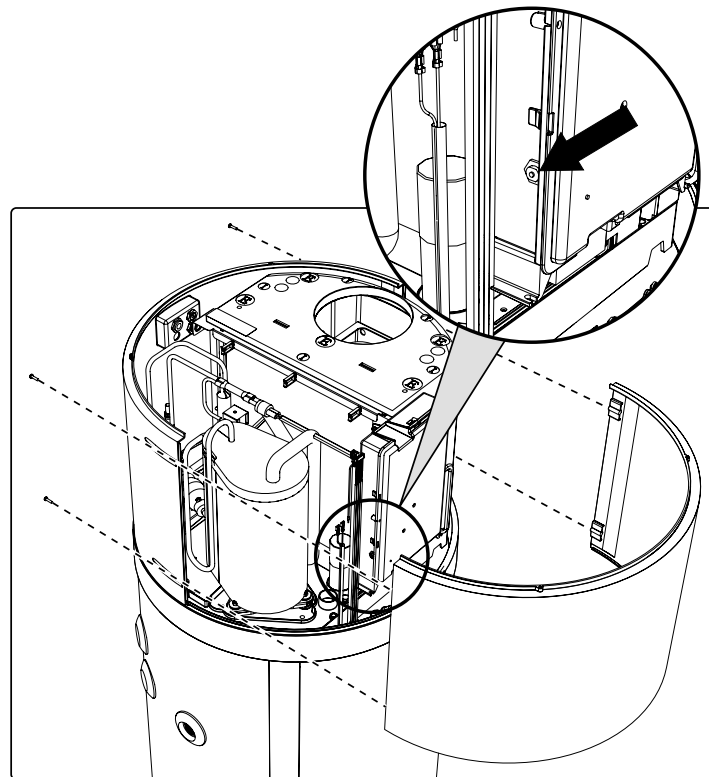


fig. 30- Rimozione del pannello anteriore

ATTENZIONE! L'intervento del termostato di sicurezza può essere provocato da un guasto legato alla scheda di comando oppure dall'assenza di acqua nel serbatoio.

ATTENZIONE! L'esecuzione di interventi di riparazione su parti aventi una funzione di sicurezza compromette il funzionamento sicuro dell'apparecchiatura. Sostituire le parti guaste esclusivamente con ricambi originali.

NB! L'intervento del termostato esclude il funzionamento dell'elemento riscaldatore, ma non il sistema della pompa di calore entro i limiti ammessi.

ATTENZIONE! Se l'operatore non è in grado di eliminare il guasto, spegnere l'apparecchiatura e contattare il Servizio di Assistenza Tecnica, comunicando il modello del prodotto acquistato.

10. MANUTENZIONE

ATTENZIONE! Tutte le riparazioni dell'apparecchiatura devono essere eseguite da personale qualificato. Una riparazione non corretta potrebbe mettere in serie pericolo l'utente. Se l'apparecchiatura necessita di riparazioni, contattare il centro di assistenza.

ATTENZIONE! Prima di intraprendere qualsiasi intervento di manutenzione, assicurarsi che l'apparecchiatura non sia alimentata elettricamente, né lo possa essere in maniera accidentale. Pertanto, scollegare l'alimentazione ad ogni intervento di manutenzione o di pulizia.

10.1 Controllo/sostituzione dell'anodo sacrificale

L'anodo di magnesio (Mg), anche detto anodo "sacrificale", impedisce alle correnti di Foucault generate all'interno della caldaia di dare luogo a processi di corrosione superficiale.

Di fatto, il magnesio è un metallo a carica debole rispetto al materiale con cui è rivestito l'interno della caldaia, pertanto esso attrae prima le cariche negative che si formano con il riscaldamento dell'acqua, consumandosi. L'anodo, pertanto, si "sacrifica" corrodendosi al posto del serbatoio. La caldaia presenta due anodi, uno installato nella parte inferiore del serbatoio, e uno installato nella parte superiore del serbatoio (area più soggetta alla corrosione).

L'integrità degli anodi Mg deve essere verificata almeno ogni due anni (preferibilmente una volta all'anno). L'operazione deve essere eseguita da personale qualificato.

Prima di eseguire la verifica:

- Chiudere l'entrata dell'acqua fredda.

- Procedere con lo svuotamento della caldaia (vedere il par. "10.2 Svuotamento della caldaia").
- Svitare l'anodo superiore e controllarne la corrosione; se la corrosione interessa più di 2/3 della superficie dell'anodo, procedere con la sostituzione.

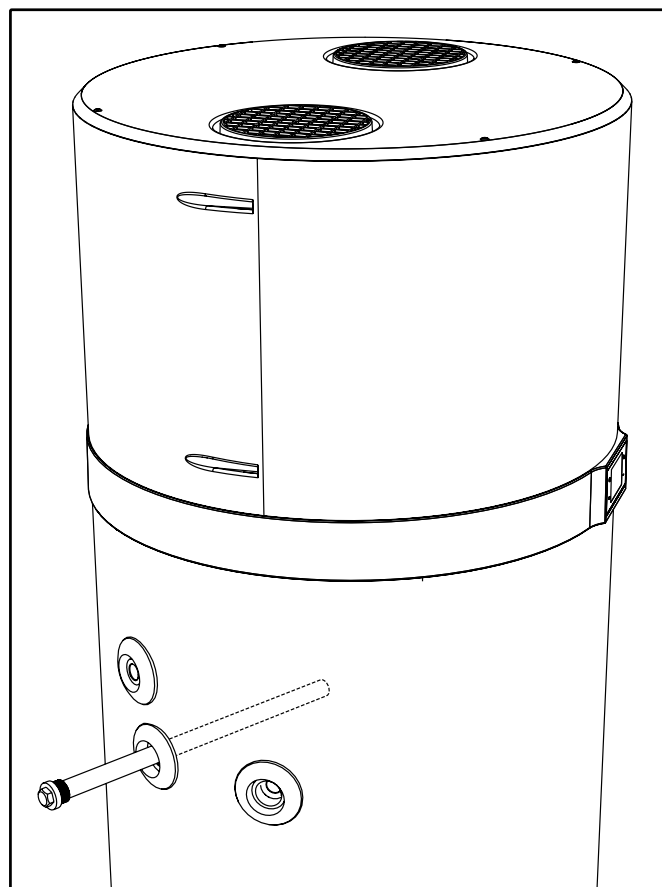


fig. 31

Gli anodi hanno una speciale guarnizione di tenuta, per prevenire le perdite di acqua; è consigliabile utilizzare del sigillante per filettature anaerobico compatibile per l'impiego nei sistemi di condutture del riscaldamento. Le guarnizioni devono essere sostituite con pezzi nuovi in caso di verifica, nonché in caso di sostituzione dell'anodo.

10.2 Svuotamento della caldaia

Se non viene utilizzata, specialmente in caso di basse temperature, è consigliabile scaricare l'acqua dalla caldaia.

Per l'apparecchiatura in questione, basta staccare il collegamento dell'ingresso acqua (vedere il par. "6.5 Collegamenti idraulici"). In alternativa, se si sta approntando il sistema, è consigliabile installare un rubinetto di scarico dotato di un collegamento per tubi flessibili.

NB! In caso di basse temperature, ricordarsi di svuotare il sistema per evitare il congelamento.

11. SMALTIMENTO

Al termine dell'utilizzo, è necessario smaltire le pompe di calore conformemente ai regolamenti vigenti.



ATTENZIONE! Quest'apparecchiatura contiene gas fluorurati ad effetto serra inclusi nel protocollo di Kyoto. Le operazioni di manutenzione e smaltimento devono essere eseguite esclusivamente da personale qualificato.

INFORMAZIONI PER GLI UTENTI



In base alle Direttive 2011/65/UE e 2012/19/UE riguardanti la restrizione dell'uso di sostanze pericolose nelle apparecchiature elettriche ed elettroniche, nonché lo smaltimento dei rifiuti.

Il simbolo del bidone sbarrato presente sull'apparecchiatura o sul suo imballaggio indica che, al termine della sua vita utile, il prodotto deve essere conferito separatamente dagli altri rifiuti.

Pertanto, al termine della sua vita utile, l'utente deve conferire l'apparecchiatura ai centri di riciclaggio appropriati per le apparecchiature elettriche ed elettroniche, oppure riportarla al rivenditore in caso di acquisto di un'apparecchiatura nuova, di tipo equivalente, in base a un rapporto di uno a uno.

Un'adeguata raccolta separata dei rifiuti per il successivo conferimento dell'apparecchiatura fuori uso a un centro di riciclaggio, trattamento e/o smaltimento compatibile con le disposizioni per la tutela dell'ambiente contribuisce a prevenire gli effetti negativi sull'ambiente e la salute e favorisce il riutilizzo e/o il riciclaggio dei materiali che costituiscono l'apparecchiatura. Lo smaltimento non autorizzato del prodotto da parte dell'utente implica l'applicazione delle sanzioni amministrative previste dalla legislazione vigente.

I principali materiali che costituiscono l'apparecchiatura in questione sono:

- acciaio
- rame
- magnesio
- alluminio
- plastica
- poliuretano

12. SCHEDA DEL PRODOTTO

Descrizione	u.m.	EKHHE200CV37	EKHHE260CV37	EKHHE200PCV37	EKHHE260PCV37
Profilo di carico dichiarato	-	L	XL	L	XL
Impostazioni temperatura del termostato del riscaldatore dell'acqua	°C	55	55	55	55
Classe di efficienza energetica del riscaldamento acqua ⁽¹⁾	-	A+	A+	A+	A+
Efficienza energetica del riscaldamento acqua - η_{wh} ⁽¹⁾	%	135	138	135	138
COP _{ACS} ⁽¹⁾	-	3,23	3,37	3,23	3,37
Consumo annuo di elettricità - AEC ⁽¹⁾	kWh	761	1210	761	1210
Efficienza energetica del riscaldamento acqua - η_{wh} ⁽²⁾	%	106	112	106	112
COP _{ACS} ⁽²⁾	-	2,55	2,73	2,55	2,73
Consumo annuo di elettricità - AEC ⁽²⁾	kWh	944	1496	944	1496
Efficienza energetica del riscaldamento acqua - η_{wh} ⁽³⁾	%	162	160	162	160
COP _{ACS} ⁽³⁾	-	3,89	3,9	3,89	3,9
Consumo annuo di elettricità - AEC ⁽³⁾	kWh	631	1046	631	1046
Livello della potenza acustica all'interno ⁽⁴⁾	dB (A)	53	51	53	51
Livello della potenza acustica all'esterno ⁽⁴⁾	dB (A)	45	44	45	44
Il riscaldatore dell'acqua può funzionare solo durante le ore vuote	-	NO	NO	NO	NO
Altre precauzioni specifiche da seguire per il montaggio, l'installazione o la manutenzione del riscaldatore dell'acqua	-	Vedere il manuale			

(1): Dati conformi agli standard EN 16147: 2017 per zona climatica TEMPERATA (unità in modo ECOLOGICO; acqua in ingresso = 10 ° C; temp. aria in ingresso = 7 ° C DB / 6 ° C WB)

(2): Dati conformi agli standard EN 16147: 2017 per zona climatica PIÙ FREDDA (unità in modo ECOLOGICO; acqua in ingresso = 10 ° C; temp. aria in ingresso = 2 ° C DB / 1 ° C WB)

(3): Dati conformi agli standard EN 16147: 2017 per zona climatica PIÙ CALDA (unità in modo ECOLOGICO; acqua in ingresso = 10 ° C; temp. aria in ingresso = 14 ° C DB / 13 ° C WB)

(4): Dati conformi a EN 12102-2: 2019 Modo ECOLOGICO con temp. aria in ingresso = 7 ° C DB / 6 ° C WB

1. PRECAUÇÕES DE SEGURANÇA GERAIS.....	2
2. INTRODUÇÃO.....	6
2.1 Produtos	6
2.2 Limitação de responsabilidade	6
2.3 Idioma	6
2.4 Direitos de autor	7
2.5 Configurações e versões disponíveis.....	7
3. MANUSEAMENTO E TRANSPORTE	7
3.1 Receção.....	7
4. CARACTERÍSTICAS DE CONSTRUÇÃO.....	9
4.1 Dados dimensionais	10
4.2 Características técnicas.....	11
5. INFORMAÇÃO IMPORTANTE	12
5.1 Conformidade com os regulamentos europeus.....	12
5.2 Grau de proteção da caixa	12
5.3 Limites de funcionamento.....	12
5.4 Limites de funcionamento	12
5.5 Regras de segurança básicas	13
5.6 Informação sobre o refrigerante utilizado	13
6. INSTALAÇÃO E LIGAÇÕES	13
6.1 Preparação do local de instalação	13
6.2 Fixação ao piso.....	14
6.3 Ligações aerúlicas.....	14
6.4 Proteção e ligações deste aparelho	16
6.5 Ligações hidráulicas	16
6.6 Integração com sistema térmico solar (<i>apenas para EKHHE200PCV37 e EKHHE260PCV37 modelos</i>).....	17
6.7 Ligações elétricas	18
6.8 Esquema elétrico.....	20
7. DESCRIÇÃO DA INTERFACE DE UTILIZADOR E DO FUNCIONAMENTO DO EQUIPAMENTO	21
7.1 Ativar e desativar o aquecedor de água e desbloquear os botões	22
7.2 Regulação do relógio.....	22
7.3 Definir os intervalos de tempo	22
7.4 Regular o ponto de regulação da água quente	22
7.5 Modo de funcionamento	23
7.6 Características adicionais.....	24
7.7 Falhas/proteção.....	25
8. ATIVAÇÃO	26
8.1 Consulte, edição dos parâmetros de funcionamento	26
9. RESOLUÇÃO DE PROBLEMAS.....	30
9.1 Substituição do fusível da placa de alimentação.....	31
9.2 Reposição do termóstato de segurança do elemento de aquecimento	31
10. MANUTENÇÃO	32
10.1 Verificação/substituição do ânodo de sacrifício.....	32
10.2 Esvaziamento da caldeira	32
11. ELIMINAÇÃO	33
12. FICHA DO PRODUTO	33

1. PRECAUÇÕES DE SEGURANÇA GERAIS

CUIDADO:

- O presente manual constitui parte integral do produto. Guarde-o com cuidado juntamente com o aparelho e entregue-o ao utilizador/proprietário seguinte no caso de alteração de propriedade.
- Estas instruções também estão disponíveis no serviço de assistência técnica do fabricante e no respetivo website: www.daikin.eu
- Leia atentamente as instruções e avisos incluídos no presente manual. Estes contêm informação importante relativamente à instalação, utilização e manutenção seguras.

AVISOS DE SEGURANÇA

Não utilize o aparelho para qualquer outra utilização além da utilização especificada. O fabricante não é responsável por danos resultantes de utilização imprópria ou incorreta ou inobservância das instruções fornecidas neste manual.

Este aparelho não se destina a utilização por pessoas (incluindo crianças) com limitações das capacidades físicas, sensoriais ou mentais, ou pessoas sem experiência ou conhecimentos, salvo estas tenham recebido instruções e tenham sido monitorizadas anteriormente durante a utilização do aparelho por alguém responsável pela sua segurança.

As crianças têm de ser supervisionadas, para que não haja possibilidade de brincarem com o aparelho.

Este aparelho pode ser utilizado por crianças com 8 ou mais anos de idade e por pessoas com limitações das capacidades físicas, sensoriais ou mentais, ou pessoas com falta de experiência ou conhecimentos, caso sejam devidamente supervisionadas ou caso lhe tenham sido dadas instruções para a utilização segura do aparelho e os riscos envolvidos sejam claros para estas.

As crianças não podem brincar com o aparelho.

A água aquecida acima de 50°C pode causar queimaduras graves imediatas se for fornecida diretamente para as torneiras. As crianças, pessoas com deficiência e os idosos são particularmente de risco. Recomenda-se a instalação de uma válvula de mistura termostática na tubagem de fornecimento de água.

Este aparelho não deve ser limpo ou alvo de manutenção por crianças sem supervisão.

Não toque no aparelho quando estiver descalço ou se qualquer parte do seu corpo estiver molhada.

Não deixe materiais inflamáveis em contacto com ou nas proximidades do aparelho.

O aparelho deve ser esvaziado quando estiver fora de serviço numa área sujeita a temperaturas abaixo de zero. Proceda ao escoamento da água conforme descrito no capítulo correspondente.

CUIDADO NA INSTALAÇÃO

O aparelho deve ser instalado e ativado por um técnico qualificado, de acordo com a legislação local e os regulamentos de higiene e segurança. Todos os circuitos de alimentação devem ser desativados antes de abrir o bloco de terminais.

A instalação incorreta pode resultar em danos materiais e lesões causadas a pessoas e animais; o fabricante não é responsável pelas consequências.

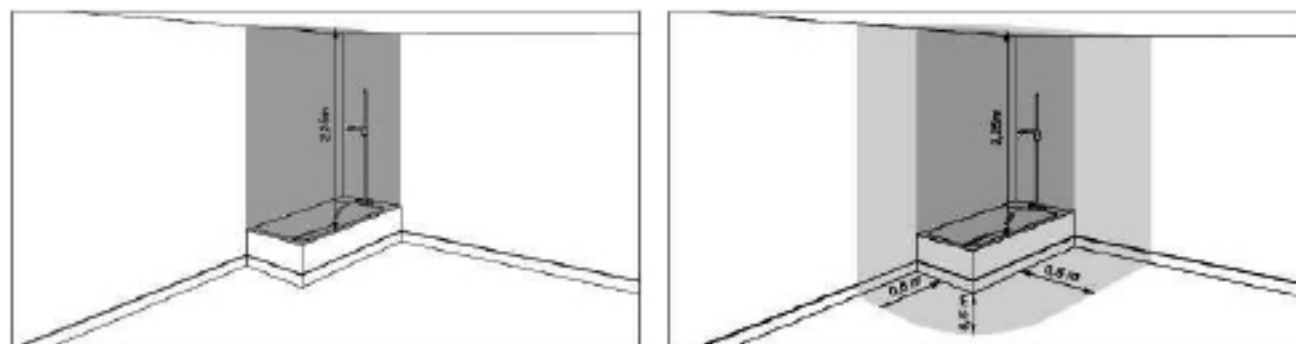
Este produto é pesado, manuseie com cuidado e instale o produto numa divisão protegida contra congelamento.

Certifique-se de que o piso consegue suportar o peso do aparelho cheio de água.

A destruição do aparelho por sobrepressão devido ao bloqueio do dispositivo de segurança inativa a garantia.

AVISOS DE INSTALAÇÃO

Quando instalar este produto numa casa de banho, não utilize o "Espaço proibido" e respeite, pelo menos, o "Espaço protegido" listado, conforme apresentado em seguida:



Espaço proibido

Espaço protegido

Este produto tem de ser colocado num local acessível.

O aquecedor de água tem de ser fixado no solo, utilizando os suportes de fixação fornecido para esta finalidade e os adesivos não são considerados um meio de fixação fiável.

Este produto foi concebido para ser utilizado a uma altitude máxima de 2000 m.

Consulte a descrição e as ilustrações incluídas nos parágrafos 6.1, 6.2 e 6.4.

AVISOS DE LIGAÇÕES AERÁULICAS

A utilização de uma fornalha de câmara aberta (por exemplo, uma lareira aberta) em simultâneo com a bomba de calor provoca uma pressão negativa perigosa na divisão. A pressão negativa pode causar o retorno de gases de exaustão para a divisão. Não utilize a bomba de calor em conjunto com uma fornalha de câmara aberta.

Utilize apenas fornalhas de câmara vedada (aprovadas) com fornecimento de ar para a combustão separado.

Vede as portas das divisões da caldeira que não tenham o fluxo de entrada de ar para a combustão em comum com as áreas residenciais.

Deve instalar uma grelha de proteção adequada nas ligações de admissão de ar e de saída de ar para evitar a presença de corpos estranhos no interior do equipamento.

Consulte a descrição e as ilustrações no parágrafo 6.3. "Ligações aeráulicas".

AVISOS DE LIGAÇÕES HIDRÁULICAS

É obrigatório aparafusar no tubo de entrada de água do aparelho um dispositivo adequado contra sobrepressão (não fornecido). Nos países que reconhecem a norma EN 1487, o tubo de entrada de água tem de ser equipado com um dispositivo de segurança em conformidade com a norma referida anteriormente.

Tem de ser novo, com dimensões 3/4" e calibrado com uma pressão máxima de 0,7 MPa, incluindo no mínimo uma torneira, válvula de retenção, válvula de segurança e corte de carga hidráulica.

Este dispositivo de segurança não deve ser adulterado e deve ser concebido para funcionar frequentemente, de modo a verificar que não está bloqueado e para remover eventual calcário.

A água pode gotejar do tubo de descarga do dispositivo de alívio de pressão e o tubo deve ser deixado aberto para a atmosfera. O tubo de descarga ligado ao dispositivo de alívio de pressão tem de ser instalado em sentido continuamente descendente e num ambiente protegido contra congelamento.

Um redutor de pressão (não fornecido) é necessário quando a pressão da água de entrada for superior a 0,7 MPa (7 bar), o qual tem de ser ligado ao abastecimento de água.

A pressão da água de entrada mínima para o funcionamento correto do aparelho é 0,15 MPa (1,5 bar).

Ligue um tubo de borracha ao escoamento de condensados, tendo o cuidado para não forçar demasiado de modo a não partir o tubo de drenagem e consulte o par. "6.6.1".

Utilize apenas tubos de ligação (não fornecidos), rígidos e resistentes à eletrólise, tanto na entrada de água fria como na saída de água quente do dispositivo.

Para modelos que integram um permutador de calor (serpentina solar), o circuito não deve exceder 1,0 MPa (10 bar) e a respetiva temperatura não deve exceder 80°C.

Consulte a descrição e as ilustrações no parágrafo 6.6 "Ligações hidráulicas" e no parágrafo 6.7 "Integração com o sistema térmico solar".

AVISOS DE LIGAÇÕES ELÉTRICAS

O aparelho deve ser instalado segundo os regulamentos de instalação eléctrica nacionais.

A instalação eléctrica deve incluir uma desativação de todos os polos com uma separação dos contactos em todos os polos capaz de garantir a desativação completa na categoria de sobretensão III a jusante do dispositivo, em conformidade com as regras de instalação local em vigor.

O dispositivo deve estar protegido por um interruptor diferencial adequado (máx. 30 mA). O tipo de interruptor diferencial deve ser seleccionado ao avaliar o tipo de dispositivos eléctricos utilizados pelo sistema em geral.

A ligação à terra é obrigatória. O fabricante do aparelho não deve ser responsabilizado por eventuais danos causados por falha para ligar o sistema à terra ou devido a anomalias na fonte de alimentação eléctrica.

É estritamente proibido ligar o aparelho à rede elétrica CA através de extensões ou através de uma régua de alimentação elétrica.

Antes de retirar a tampa, certifique-se de que a alimentação está desligada para evitar lesões ou choque elétrico.

Consulte a descrição e as ilustrações, respetivamente, no parágrafo 6.8 "Ligações elétricas" e no parágrafo 6.9 "Esquema elétrico".

AVISOS DE ASSISTÊNCIA TÉCNICA - MANUTENÇÃO - RESOLUÇÃO DE PROBLEMAS

Quaisquer reparações, manutenção, canalizações e ligações elétricas têm de ser efetuadas por técnicos qualificados, utilizando apenas peças sobresselentes. A inobservância das instruções anteriores pode comprometer a segurança do aparelho e alivia o fabricante de quaisquer responsabilidades pelas consequências.

Para esvaziar o aparelho: desligue a fonte de alimentação e a água fria, abra as torneiras de água quente e, em seguida, utilize a válvula de drenagem do dispositivo de segurança.

A válvula de segurança tem de ser utilizada regularmente para remover depósitos de calcário e assegurar que não está bloqueada.

O aparelho está equipado com um cabo de alimentação que, caso seja danificado, tem de ser substituído pelo fabricante, por um técnico de assistência ou por uma entidade semelhante, para evitar perigos.

O aparelho integra uma ligação de fusíveis miniatura com desfasamento que, caso avarie, deve ser substituída por um modelo de fusível "T5AL250V" de acordo com a IEC 60127.

Consulte a descrição e as ilustrações, respetivamente, no capítulo 9 "RESOLUÇÃO DE PROBLEMAS" e no capítulo 10 "MANUTENÇÃO".

2. INTRODUÇÃO

Este manual de instalação e manutenção é parte integrante da bomba de calor (doravante equipamento).




Deve guardar o manual para referência futura até ao desmantelamento. Destina-se ao instalador especializado (técnicos de instalação - manutenção) e ao utilizador final. O manual descreve os procedimentos de instalação a observar para o funcionamento correto e seguro do equipamento e os métodos de utilização e manutenção.

Em caso de venda ou transferência para outro utilizador, o manual deve manter-se junto da unidade.

Antes de instalar e/ou utilizar o equipamento, leia este manual de instruções cuidadosamente, sobretudo o capítulo 5 relativo à segurança.

Deve guardar o manual com a unidade e este deve estar sempre disponível para o pessoal de instalação e manutenção qualificado.

Os símbolos seguintes são utilizados no manual para destacar a informação mais importante:

	Cuidado
	Procedimentos a seguir
	Informação/sugestões

2.1 Produtos

Estimado cliente:

Agradecemos-lhe por ter comprado este produto.

A nossa empresa, sempre atenta às questões ambientais, utiliza tecnologias e materiais de baixo impacto ambiental para os seus produtos, em conformidade com as normas REEE da UE (2012/19/UE – RoHS 2011/65/UE).

2.2 Limitação de responsabilidade

A conformidade destas instruções de utilização com o hardware e o software foi verificada cuidadosamente. No entanto, poderá haver diferenças; e nenhuma responsabilidade é assumida pela total conformidade.

No interesse do aperfeiçoamento técnico, reservamos o direito de efetuar alterações na construção ou dados técnicos em qualquer altura. Qualquer reclamação baseada em indicações, figuras, desenhos ou descrições encontra-se, como tal, excluída. Estes estão sujeitos a possíveis erros.

O construtor declina qualquer responsabilidade por danos devido a erros de comando, utilização imprópria ou inadequada ou devido a reparações ou modificações não autorizadas.

2.3 Idioma

O manual foi redigido em italiano (IT), o idioma original do fabricante.

Quaisquer traduções para idiomas adicionais devem ser realizadas a partir das instruções originais.

O Fabricante é responsável pela informação contida nas instruções originais; as traduções para diferentes idiomas não podem ser completamente verificadas, como tal, se for detetada uma inconsistência, é necessário seguir o texto do idioma original ou contacte o nosso Departamento de Documentação Técnica.

2.4 Direitos de autor

Estas instruções de utilização contêm informação protegida por direitos de autor. Nenhuma parte destas instruções de utilização pode ser fotocopiada, duplicada, traduzida ou gravada em suportes de armazenamento sem a permissão prévia do fornecedor. Quaisquer violações estarão sujeitas a compensação por danos. Todos os direitos estão reservados, incluindo os direitos resultantes da concessão de patentes ou do registo de modelos de aparelho.

2.5 Configurações e versões disponíveis

Este aparelho integra uma unidade de bomba de calor de 1,9 kW e pode ser instalado em diferentes configurações, de acordo com a possível integração com fontes de aquecimento adicionais (por exemplo, aquecimento solar) ou dependendo da capacidade da caldeira.

Versão	Descrição da configuração
EKHHE200CV37 EKHHE260CV37	Bomba de calor de ar para produção de água quente sanitária (AQS)
EKHHE200PCV37 EKHHE260PCV37	Bomba de calor de ar para produção de AQS pré-disposta para o sistema térmico solar.

3. MANUSEAMENTO E TRANSPORTE

O equipamento é fornecido numa caixa de cartão(*). Encontra-se fixado a uma palete com três parafusos. Para operações de descarga, utilize uma empilhadora ou um porta-paletes adequado.

O equipamento embalado pode ser colocado na horizontal e virado para baixo para facilitar o desaperto dos parafusos de fixação.

O desembalamento deve ser executado com cuidado para evitar danos na caixa do equipamento se forem utilizadas facas ou lâminas para abrir a embalagem de cartão.

Após remover a embalagem, verifique a integridade da unidade. Em caso de dúvidas, não utilize a unidade; contacte o pessoal técnico autorizado.

Antes de eliminar a embalagem, de acordo com os regulamentos de proteção ambiental aplicáveis, certifique-se de que todos os acessórios fornecidos foram removidos.

(* Nota: o tipo de embalagem pode estar sujeito a variações mediante o critério do fabricante.

Durante todo o período de inatividade do equipamento, à espera de ativação, é aconselhável colocá-lo num local protegido de agentes atmosféricos

3.1 Receção

Além das unidades, as embalagens contêm acessórios e documentação técnica para utilização e instalação. Verifique se os seguintes estão presentes:

- 1x manual de utilizador, instalação e manutenção;
- 3x suportes de fixação mais parafusos;
- 1x corte térmico (apenas para EKHHE200PCV3 e EKHHE260PCV3).

Durante todo o período de inatividade do equipamento, à espera de ativação, é aconselhável colocá-lo num local protegido de agentes atmosféricos.

Posições permitidas para transporte e manuseamento

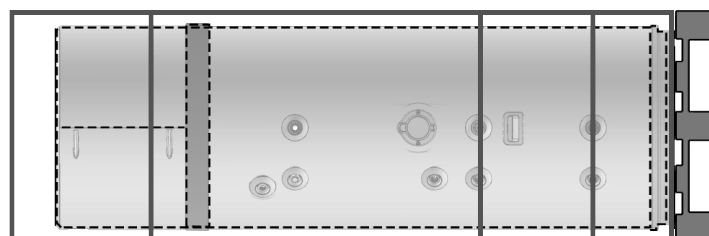


fig. 1

⚠ ATENÇÃO! Durante as fases de manuseamento e instalação do produto, a parte superior não deve ser submetida a tensão de forma alguma, pois não é estrutural.

⚠ ATENÇÃO! O transporte horizontal é permitido apenas para o último km, de acordo com o indicado (ver "Posições não permitidas para transporte e manuseamento"), assegurando que os suportes se encontram posicionados de tal forma que na parte inferior da caldeira, a parte superior não seja submetida a tensão, pois não é estrutural. Durante o transporte horizontal, o visor deve ficar virado para cima.

Posição permitida apenas para o último km



Posições não permitidas para transporte e manuseamento



fig. 2

4. CARACTERÍSTICAS DE CONSTRUÇÃO

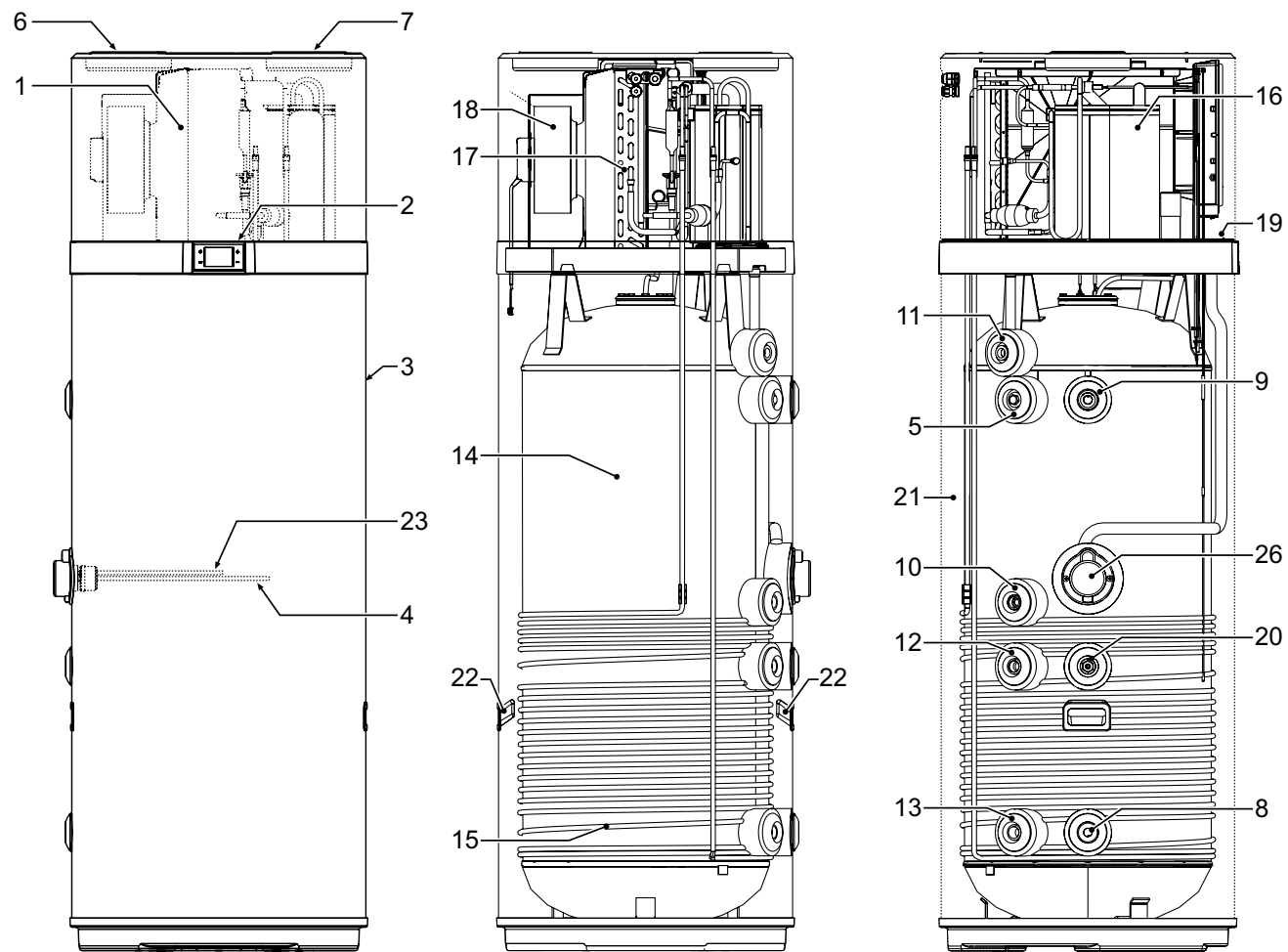


fig. 3

- 1 Bomba de calor
- 2 Interface de utilizador
- 3 Caixa de aço
- 4 Elemento de aquecimento
- 5 Ânodo de magnésio
- 6 Entrada de ar de ventilação (Ø 160 mm)
- 7 Saída de ar de ventilação (Ø 160 mm)
- 8 Ligação da entrada de água fria
- 9 Ligação da saída de água quente

- 10 Pré-disposição para recirculação
- 11 Drenagem de condensação
- 12 Pré-disposição para entrada de serpentina solar
Apenas para modelos **EKHHE200PCV37**
EKHHE260PCV37
- 13 Pré-disposição para saída de serpentina solar
Apenas para modelos **EKHHE200PCV37**
EKHHE260PCV37
- 14 Depósito de aço com revestimento de esmalte vítreo, de acordo com a norma DIN 4753-3
- 15 Condensador
- 16 Compressor rotativo
- 17 Evaporador embalado com aletas
- 18 Ventoinha eletrónica
- 19 Sondas da caldeira
- 20 Bolsa de suporte da sonda para solar - *Apenas para modelos* **EKHHE200PCV37**
EKHHE260PCV37
- 21 Isolamento de poliuretano
- 22 Pegas de transporte
- 23 Tubo para bulbo do termóstato de segurança
- 24 Placa de alimentação
- 26 Compartimento para aceder ao elemento de aquecimento e ao bulbo do termóstato de segurança

4.1 Dados dimensionais

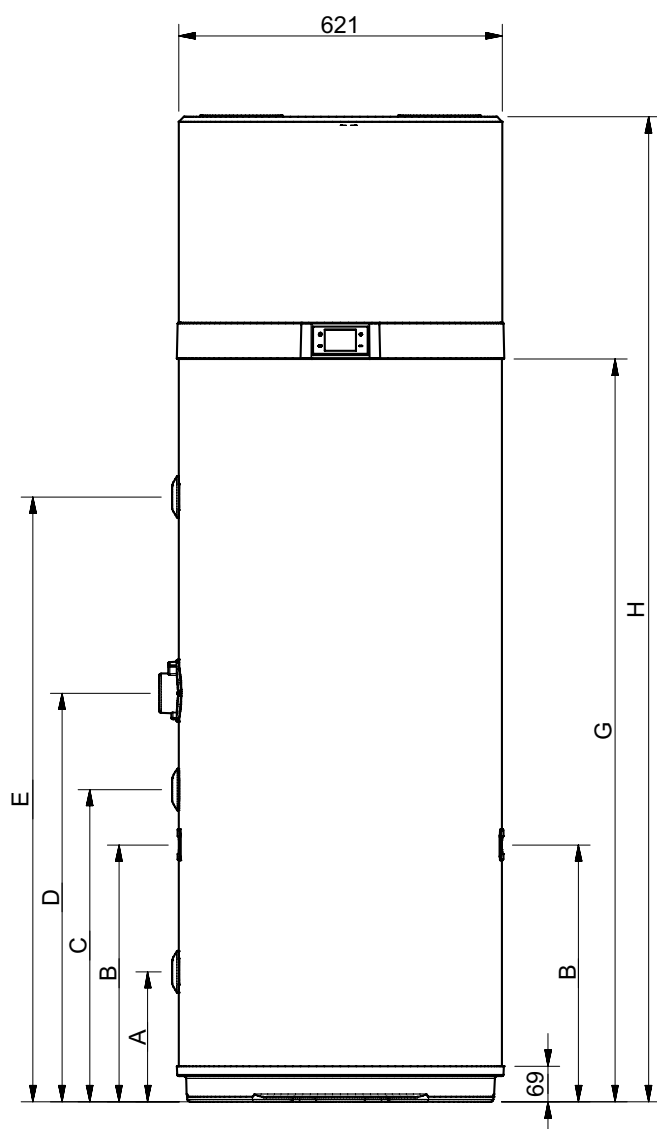


fig. 4

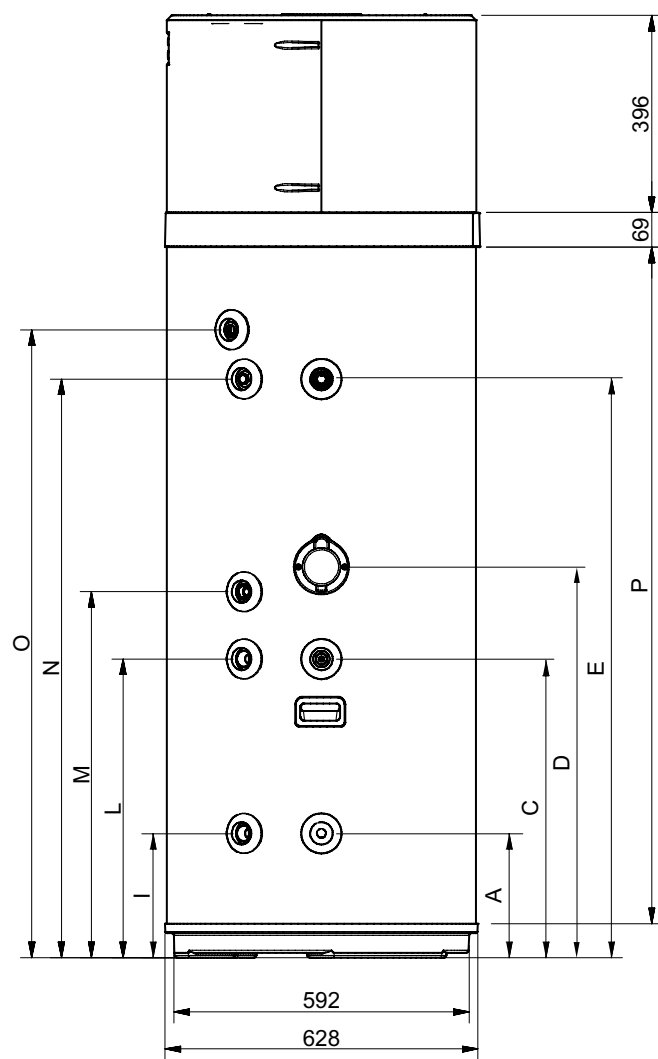


fig. 5

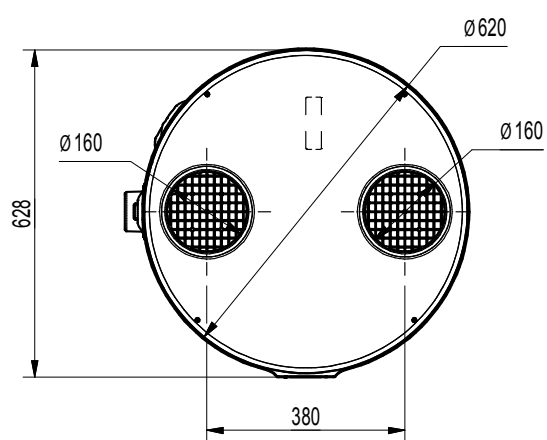


fig. 6

MODELO	Ø	EKHHE200PCV37	EKHHE260PCV37	EKHHE200CV37	EKHHE260CV37	UM
A	1" G	250	250	250	250	mm
B	-	490	493	/	/	mm
C	1/2" G	600	600	600	600	mm
D	-	705	785	705	785	mm
E	1" G	876,5	1162	876,5	1162	mm
G	-	1142	1427	1142	1427	mm
A	-	1607	1892	1607	1892	mm
I	3/4" G	250	250	/	/	mm
L	3/4" G	599	600	/	/	mm
M	3/4" G	705	735	705	735	mm
N	3/4" G	877	1162	877	1162	mm
O*	1/2" G	976	1261	976	1261	mm
P	-	1073	1358	1073	1358	mm

*O - ligação de saída em material plástico

4.2 Características técnicas

Modelo	EKHHE200CV37	EKHHE260CV37	EKHHE200PCV37	EKHHE260PCV37	U.m.				
Dados gerais	Alimentação de tensão				230 Vca-50 Hz	-			
	Conteúdo de água do depósito - V _{nom}				192	250	187	247	dm ³
	Pressão máxima da água de entrada				0,7	0,7	0,7	0,7	MPa
	Peso vazio				85	97	96	106	kg
	Peso operacional				277	347	283	353	kg
	Dimensões (φxh)				621 x 1607	621 x 1892	621 x 1607	621 x 1892	mm
	Temperatura máx. da água quente com bomba de calor				62	62	62	62	°C
	Temperatura máx. da água quente com aquecedor elétrico adicional				75	75	75	75	°C
Depósito	Material				Aço esmaltado		-		
	Proteção catódica				Ânodo de haste mg		-		
	Tipo de isolamento				Poliuretano		-		
	Espessura do isolamento				50	50	50	50	mm
Dados elétricos da bomba de calor	Entrada de alimentação média no aquecimento				430	430	430	430	W
	Entrada de alimentação máxima				530	530	530	530	W
	Entrada máxima de corrente				2,43	2,43	2,43	2,43	A
Dados elétricos do aquecedor elétrico	Tensão de alimentação				230 Vca-50 Hz		-		
	Entrada de alimentação				1500	1500	1500	1500	W
	Entrada de corrente				6,5	6,5	6,5	6,5	A
Dados elétricos da bomba de calor + aquecedor elétrico	Entrada de alimentação máxima				1960	1960	1960	1960	W
	Entrada máxima de corrente				8,5	8,5	8,5	8,5	A
Circuito de ar	Tipo de ventoinha				Centrífuga		-		
	Caudal do volume de ar				450	450	450	450	m ³ /h
	Pressão estática externa disponível				117	117	117	117	Pa
	Diâmetro das condutas				160	160	160	160	mm
Circuito de refrigerante	Compressor				Rotativo		-		
	Refrigerante				R134a		-		
	Carga de refrigerante				1	1	1	1	kg
	Evaporador				Serpentina com aletas de cobre-alumínio		-		
	Condensador				Tubo de alumínio enrolado no exterior do depósito		-		
Serpentina solar	Material				-	-	Aço esmaltado	Aço esmaltado	-
	Superfície				-	-	0,72	0,72	m ²
	Pressão máx.				-	-	1	1	MPa
Dados de acordo com a norma EN 16147: 2017 para clima MÉDIO (unidade no modo ECO, Ponto de regulação de água quente = 55°C; água de entrada = 10°C; Temp. do ar de entrada = 7°C DB / 6°C WB)	Perfil de carga				L	XL	L	XL	-
	Classe de eficiência energética de aquecimento de água *				A+	A+	A+	A+	-
	Eficiência energética de aquecimento de água - η _{wh}				135	138	135	138	%
	COP _{DHW}				3,23	3,37	3,23	3,37	-
	Volume máximo de água misturada a 40°C - V ₄₀				247	340	241	335	dm ³
	Temperatura da água quente de referência - θ _{wh}				52,5	53,2	52,5	53,2	°C
	Saída de calor nominal - prate				1,339	1,249	1,339	1,249	kW
	Tempo de aquecimento - t _h				06:27	09:29	06:27	09:29	hh:mm
	Consumo anual de eletricidade - AEC				761	1210	761	1210	kWh
	Entrada de alimentação em inatividade (P _{es})				26	28	26	28	W
Dados de acordo com a norma EN 12102-2: modo ECO 2019 com temp. do ar de entrada = 7°C DB / 6°C WB	Nível de potência sonora interior				53	51	53	51	dB(A)
	Nível de potência sonora exterior				45	44	45	44	dB(A)

5. INFORMAÇÃO IMPORTANTE

5.1 Conformidade com os regulamentos europeus

Esta bomba de calor é um produto destinado a utilização doméstica e está em conformidade com as seguintes diretivas europeias:

- Diretiva 2012/19/UE (REEE)
- Diretiva 2011/65/UE relativa à restrição da utilização de determinadas substâncias perigosas em equipamento elétrico e eletrónico (RoHS)
- Diretiva 2014/30/UE - compatibilidade eletromagnética (CEM)
- Diretiva 2014/35/UE - baixa tensão (DBT)
- Diretiva 2009/125/CE - design ecológico
- Regulamento 2017/1369/UE relativo a etiqueta energética

5.2 Grau de proteção da caixa

O grau de proteção do equipamento é: **IP24**.

5.3 Limites de funcionamento



PROIBIÇÃO! Este produto não foi concebido nem se destina à utilização em ambientes perigosos (devido à presença de atmosferas potencialmente explosivas - ATEX ou com o nível IP necessário mais alto do que o da unidade) ou em aplicações que requerem funcionalidades de segurança (tolerante a falhas, segurança em caso de falha) que poderão ser sistemas e/ou tecnologias de suporte à vida ou qualquer outro contexto no qual o mau funcionamento de uma aplicação possa provocar a morte ou ferimentos de pessoas ou animais ou danos materiais ou ambientais graves.



Nota! Se a possibilidade de ocorrer uma falha do produto ou avaria pode causar danos (a pessoas, animais e propriedade), é necessário fornecer um sistema de vigilância funcional separado equipado com funções de alarme para excluir tais danos. É também necessário organizar a operação de substituição!



O aparelho não foi concebido para instalação ao ar livre, mas num local "fechado" não exposto aos elementos.

5.4 Limites de funcionamento

O produto em causa foi concebido exclusivamente para aquecer água quente para fins sanitários dentro dos limites descritos anteriormente. Para esta finalidade, deve ser ligado à fonte de alimentação de água sanitária e à fonte de alimentação (ver capítulo "6. INSTALAÇÃO E LIGAÇÕES").

5.4.1 Intervalo de temperatura

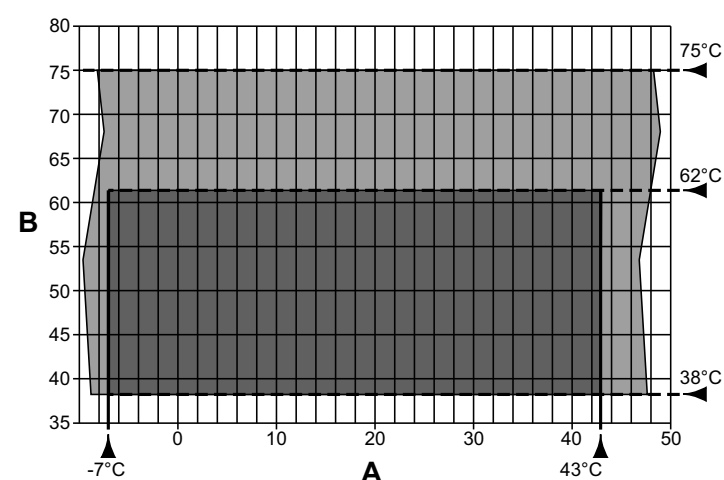


fig. 7- Gráfico

A = Temperatura do ar de entrada (°C)

B = Temperatura da água quente (°C)

■ = Âmbito de funcionamento para a bomba de calor (HP)

■ = Integração apenas com o elemento de aquecimento

5.4.2 Dureza da água

A unidade não deve funcionar com água de dureza abaixo de 12°F; contudo, com água particularmente dura (acima de 25°F), é aconselhável utilizar um descalcificador de água calibrado e monitorizado. Neste caso, a dureza residual não deve ser inferior a 15°F.



Nota! Na fase de conceção e construção das instalações, os regulamentos e provisões locais aplicáveis têm de ser respeitados.

5.5 Regras de segurança básicas

- O produto só pode ser utilizado por adultos;
- Não abra ou desmonte o produto quando estiver ligado à corrente elétrica;
- Não toque no produto se estiver descalço ou com partes do corpo molhadas ou húmidas;
- Não verta ou pulverize água no produto;
- Não suba para o produto, não se sente neste e/ou coloque qualquer tipo de objeto no produto.

5.6 Informação sobre o refrigerante utilizado

Este produto contém gases fluorados de efeito de estufa que estão incluídos no Protocolo de Quioto. Não liberte estes gases para a atmosfera.

Tipo de refrigerante: HFC-R134a.



Nota! As operações de manutenção e eliminação têm de ser efetuadas apenas por pessoal qualificado.

6. INSTALAÇÃO E LIGAÇÕES

6.1 Preparação do local de instalação

O produto deve ser instalado num local adequado, de modo a permitir as operações normais de utilização e ajuste, bem como a manutenção de rotina e extraordinária.

O espaço de funcionamento necessário deve, por isso, ser preparado ao referir as dimensões fornecidas em fig. 8 e fig. 9.

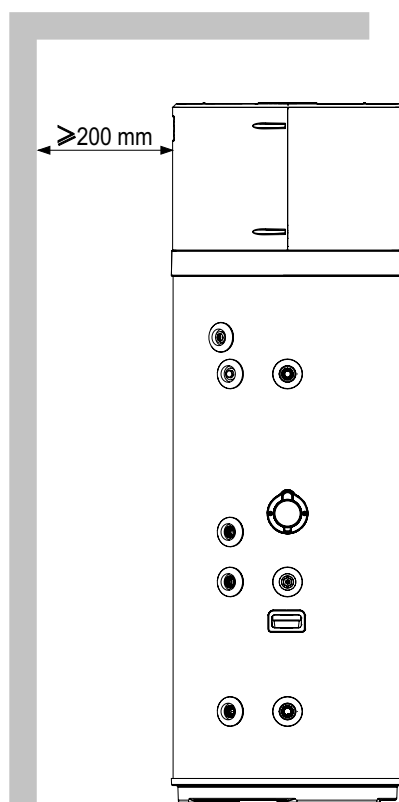


fig. 8- Espaços mínimos

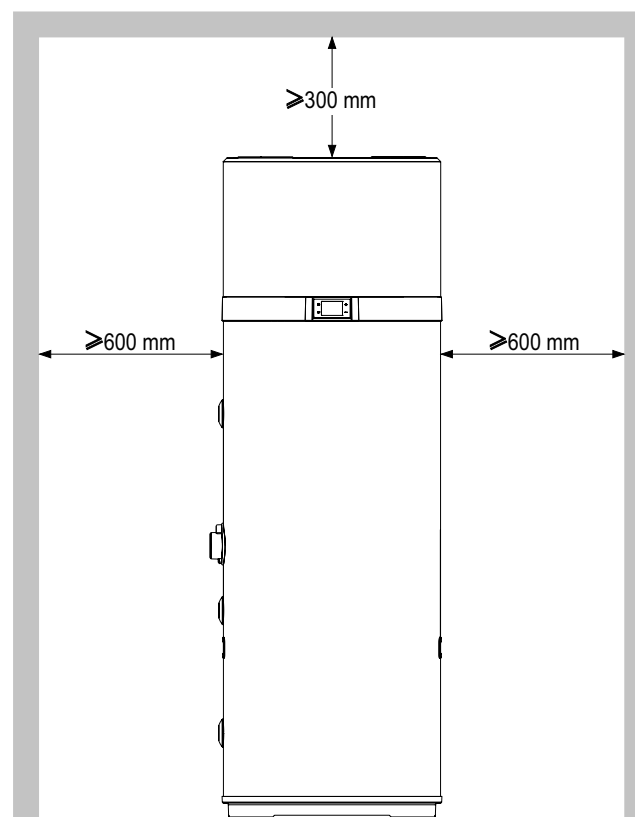


fig. 9- Espaços mínimos

A divisão também tem de:

- Estar equipada com linhas adequadas de fornecimento de água e eletricidade;
- Estar predisposta para a ligação de descarga de água condensada;
- Estar predisposta com escoamentos de água adequados no caso de danos na caldeira ou intervenção na válvula de segurança ou rutura de tubos/ligações;
- Estar equipada com possíveis sistemas de contenção na eventualidade de fugas de água graves;
- Estar suficientemente iluminada (se necessário);
- Não ser inferior a 20 m³ em volume;
- Estar protegida contra geada e estar seca.



ATENÇÃO! Para evitar a propagação de vibrações mecânicas, não instale o equipamento em pisos sobre vigas de madeira (por exemplo, um sótão).

6.2 Fixação ao piso

Para fixar o produto ao piso, aperte os suportes fornecidos, conforme ilustrado em fig. 10.

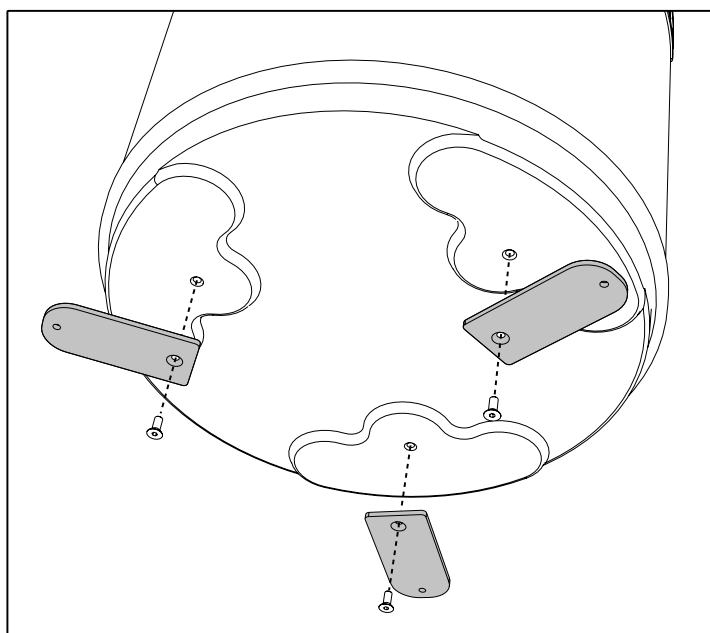


fig. 10- Suportes de fixação

Em seguida, fixe a unidade ao piso com a ajuda de buchas adequadas, não fornecidas, conforme ilustrado em fig. 11.

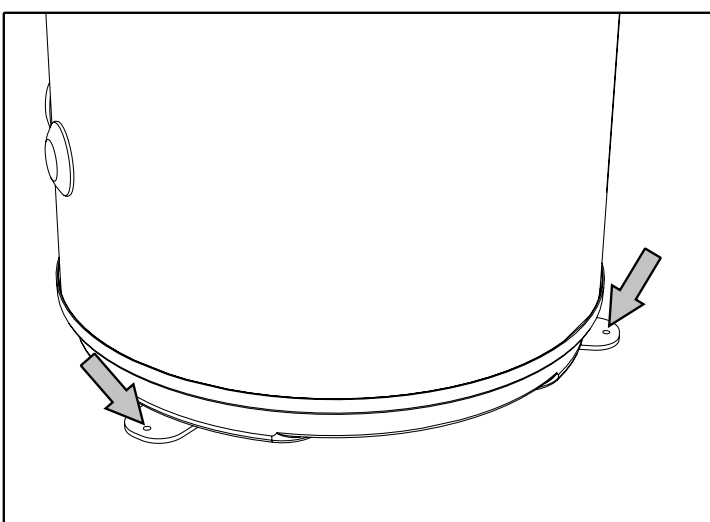


fig. 11- Fixação ao piso

6.3 Ligações aerúlicas

Além dos espaços indicados em 6.1, a bomba de calor requer ventilação de ar adequada.

Crie um canal de ar dedicado conforme indicado em fig. 12.

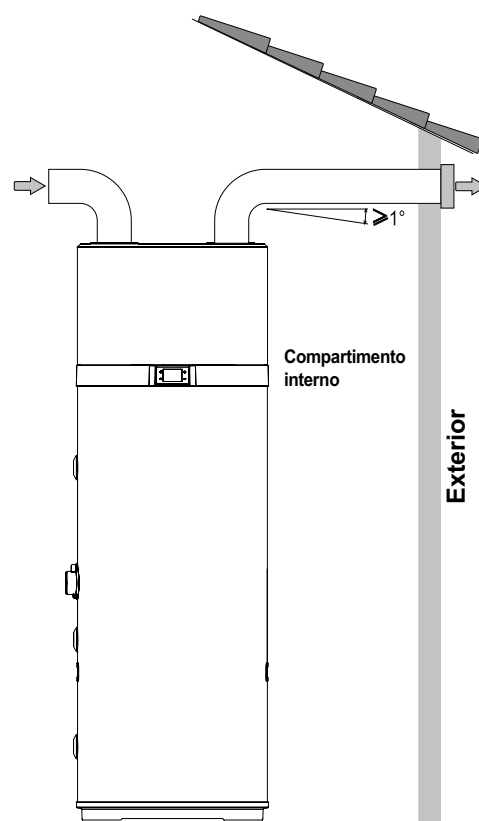


fig. 12- Exemplo de ligação de saída de ar

Também é importante assegurar a ventilação adequada da divisão que contém a unidade. Uma solução alternativa é apresentada na figura seguinte (fig. 13): fornece uma segunda conduta que capta o ar do exterior em vez de diretamente da divisão interior.

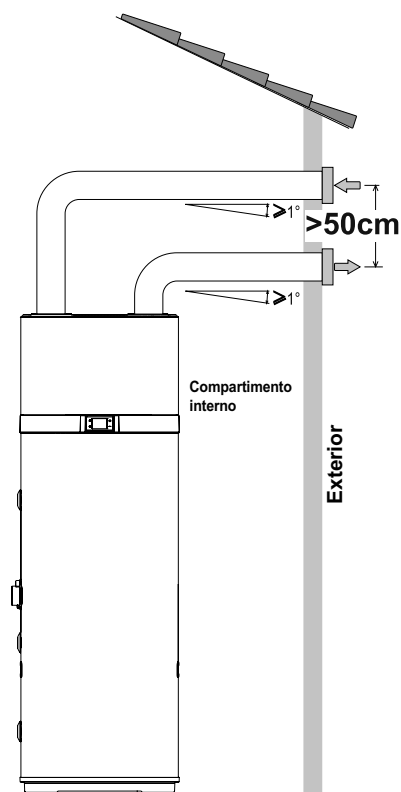


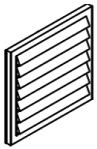


fig. 13- Exemplo de ligação de saída de ar

Instale cada canal de ar, assegurando que:

- Não sobrecarrega o equipamento.
- Permite operações de manutenção.
- Existe proteção adequada que impede a entrada acidental de materiais estranhos para o interior do equipamento.
- A ligação ao exterior deve ser efetuada com tubagens não inflamáveis adequadas.
- O comprimento equivalente total dos tubos de extração mais o fornecimento, incluindo as grelhas, não deve exceder 12 m.

A tabela indica os dados característicos de componentes de condutas comerciais com referência aos fluxos de ar e diâmetros nominais de 160 mm.

Dados	Tubo reto uniforme	Curva 90° uniforme	Grelha	UM
Tipo				
Comprimento efetivo	1	1	1	m
Comprimento equivalente	1	2	2	m

i Durante o funcionamento, a bomba de calor tem tendência para provocar uma descida da temperatura ambiente se a conduta de ar não for instalada para o exterior.

i Deve instalar uma grelha de proteção adequada no tubo de extração de ar para o exterior para evitar a entrada de corpos estranhos no interior do equipamento. Para garantir o desempenho máximo do produto, a grelha deve ser selecionada entre as que apresentam baixa perda de pressão.

i Para evitar a formação de água condensada: isole os tubos de extração de ar e as ligações das condutas de ar com um revestimento térmico estanque à prova de vapor com a espessura adequada.

i Instale silenciadores se considerar necessário para evitar ruído devido ao fluxo. Equipe os tubos, as tomadas de parede e as ligações da bomba de calor com sistemas de amortecimento de vibrações.

6.3.1 Instalação especial

Uma das peculiaridades dos sistema de aquecimento da bomba de calor é que estas unidades descem consideravelmente a temperatura do ar, geralmente expelido para o exterior da casa. Além de ser mais frio do que o ar ambiente, o ar expelido é também completamente desumidificado e, por isso, o fluxo de ar pode ser devolvido no interior para o arrefecimento no verão de divisões ou áreas específicas.

A instalação fornece a divisão do tubo de extração, o qual está equipado com dois amortecedores ("A" e "B") para direcionar o fluxo de ar para o exterior (fig. 15) ou o interior da casa (fig. 14).

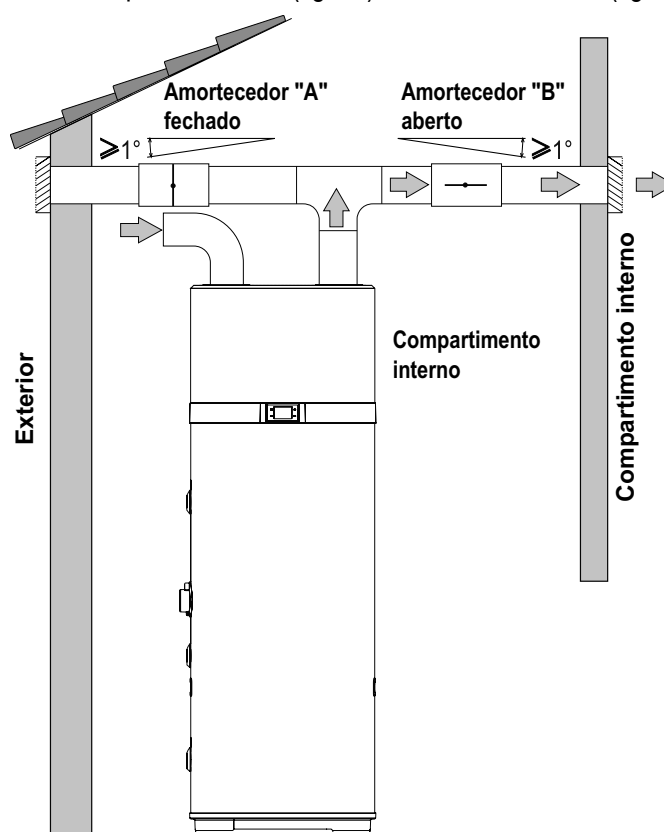


fig. 14- Exemplo de instalação no período do verão

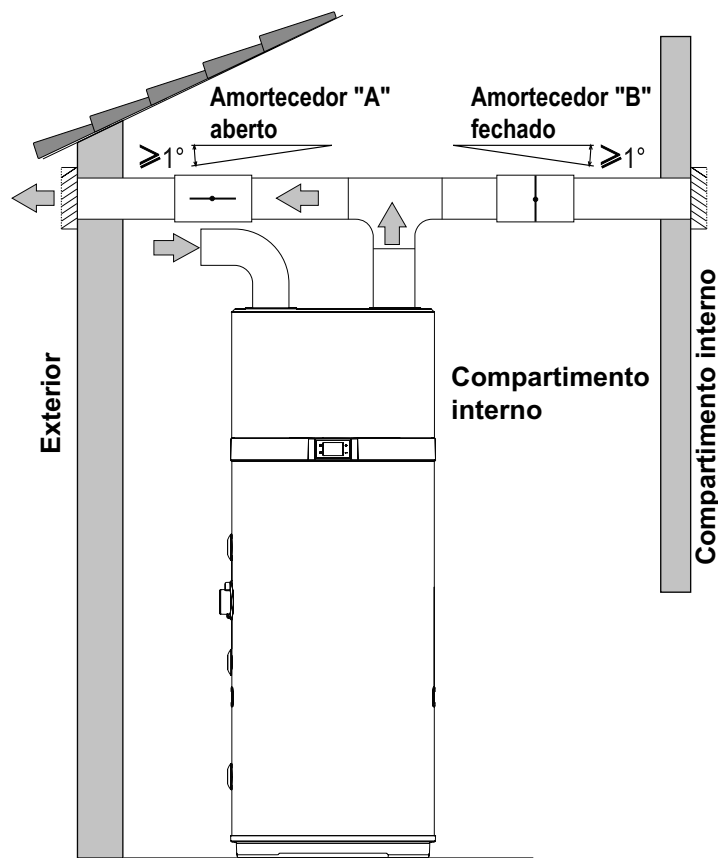


fig. 15- Exemplo de instalação no período do inverno

6.4 Proteção e ligações deste aparelho

O produto tem de ser instalado sobre um piso plano e estável que não esteja sujeito a vibrações.

6.5 Ligações hidráulicas

Ligue a linha de fornecimento de água fria e a linha de saída aos pontos de ligação adequados (fig. 16).

A tabela seguinte indica as características dos pontos de ligação.

Ref.	Função	Modelo 200 I/260 I
1	Entrada de água fria	1" G
2 *	Saída de serpentina solar	3/4" G
3 *	Entrada de serpentina solar	3/4" G
4	Recirculação	3/4" G
5	Saída de água quente	1" G
6	Drenagem de condensação	1/2" G
A *	Cavidade para a sonda solar e o bulbo de corte térmico	1/2" G

*: apenas para EKHHE200PCV37 e EKHHE260PCV37 modelos.

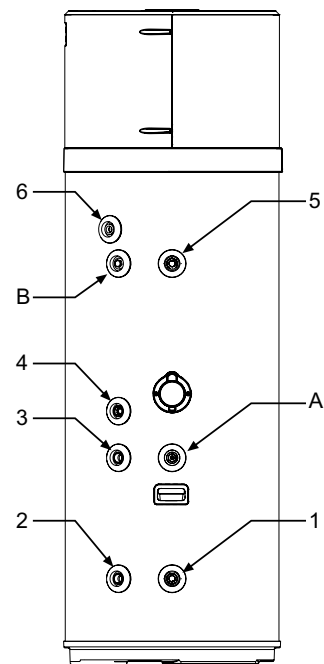


fig. 16

A figura seguinte (fig. 17) ilustra um exemplo de ligação das canalizações.

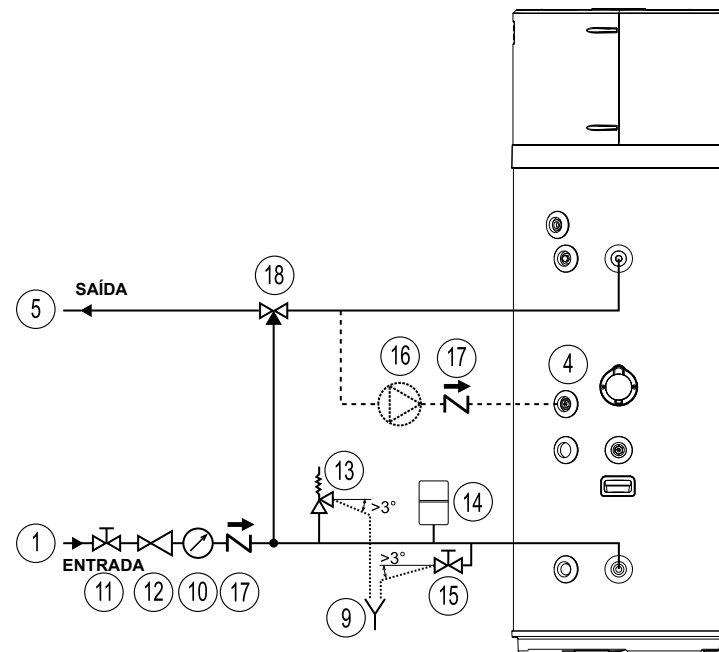


fig. 17- Exemplo de sistema de água

Legenda (fig. 17)

- | | | | |
|----|---|----|--|
| 1 | Tubo de entrada de água | 12 | Regulador de pressão |
| 4 | Entrada de água de recirculação | 13 | Válvula de segurança |
| 5 | Tubo de saída de água quente | 14 | Reservatório de expansão |
| 9 | Extremidade inspecionável do tubo de descarga | 15 | Torneira de escoamento quente |
| 10 | Indicador de pressão | 16 | Bomba de recirculação |
| 11 | Válvula de fecho | 17 | Válvula de retenção com mola |
| | | 18 | Equipamento de mistura com termostato automático |

6.5.1 Ligação para escoamento de condensados

O condensado que se forma durante o funcionamento da bomba de calor flui através de um tubo de drenagem especial (1/2" G) que passa no interior da caixa isolante e sai na parte lateral do equipamento.

Este deve ser ligado, através de um coletor, a uma conduta de modo que o condensado possa fluir regularmente (fig. 18).

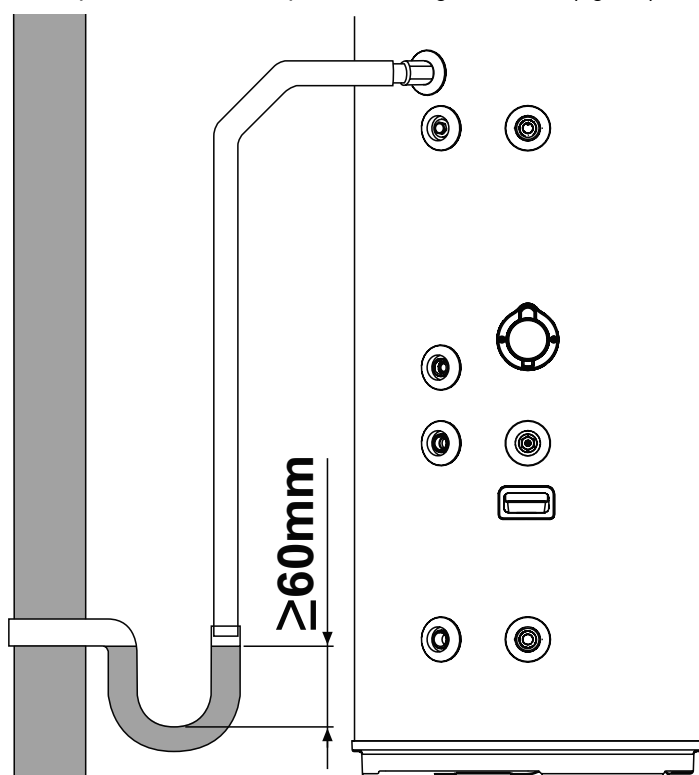


fig. 18- Exemplos de ligação de escoamento de condensados com um coletor

6.6 Integração com sistema térmico solar (apenas para EKHHE200PCV37 e EKHHE260PCV37 modelos)

A figura seguinte (fig. 19) mostra como ligar o equipamento a um sistema térmico solar controlado por um controlador eletrónico correspondente (não fornecido) que possui uma saída de tipo "contacto isento de tensão" a ligar à entrada DIG.1 do equipamento (ver "6.7.1 Ligações remotas").

Para utilizar o equipamento nesta configuração, é necessário definir o parâmetro **P16 = 1** (ver par. 8.1).

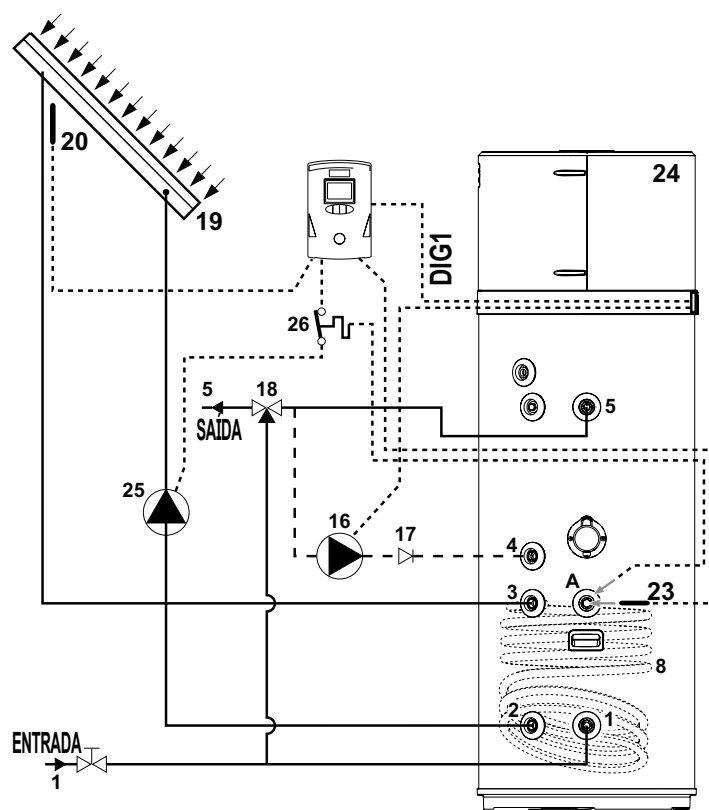


fig. 19

As figuras seguintes (fig. 20 e fig. 21) mostram como ligar o equipamento a um sistema térmico solar controlado diretamente pelo último, sem o auxílio de um controlador eletrónico correspondente.

Na configuração de fig. 20, no caso de temperatura excessiva do coletor solar, uma válvula de drenagem (não fornecida) é ativada para descarregar água quente contida no equipamento para um depósito de acumulação de AQS (amortecedor).

Na configuração de fig. 21, contudo, nesta condição, o obturador do coletor solar está fechado.

Em ambos os casos, isto ocorre para permitir que o coletor arrefeça.

Para utilizar o equipamento em ambas as configurações, é necessário definir o parâmetro **P12 = 2** e **P16 = 2** (ver par.8.1).

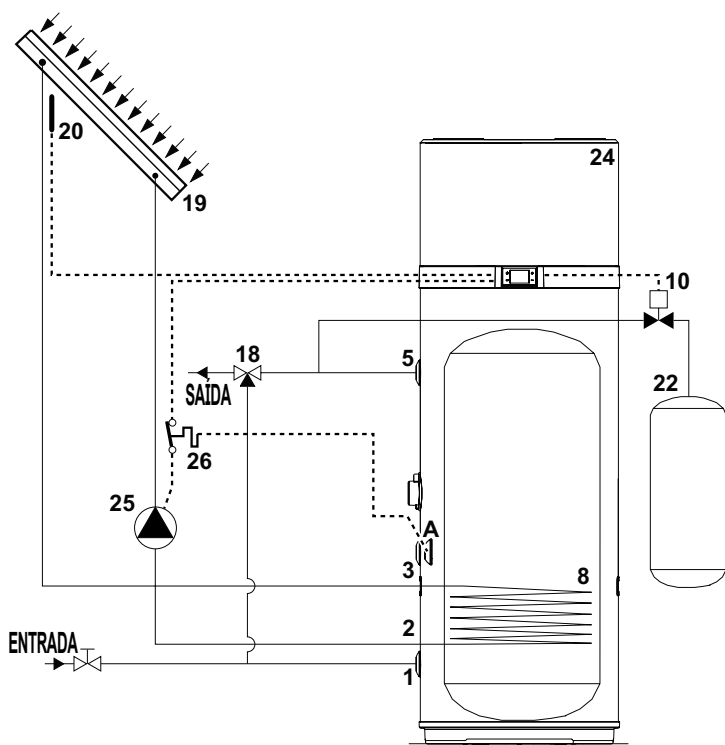


fig. 20

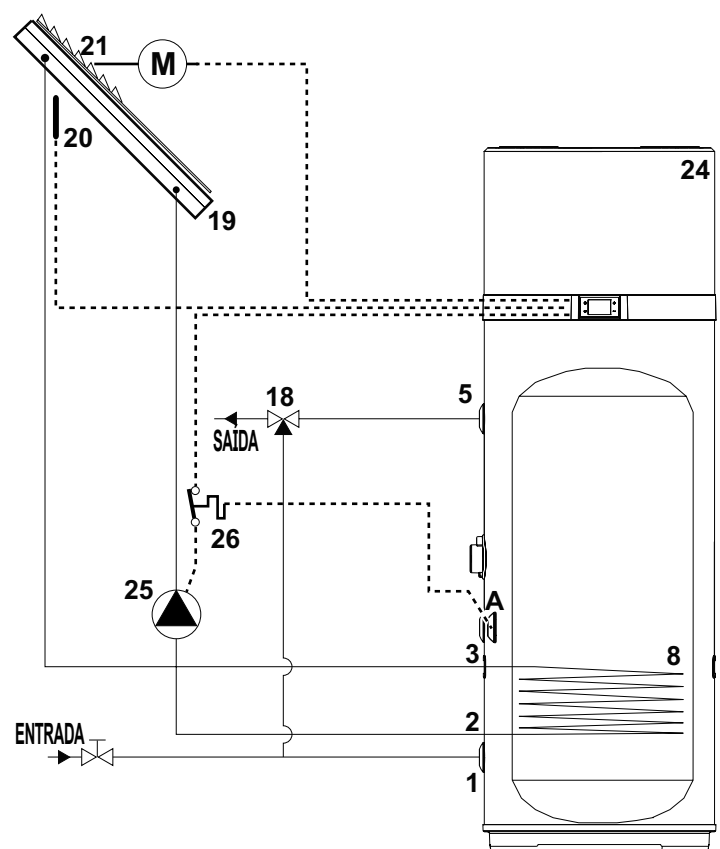


fig. 21

Legenda (fig. 19, fig. 20 e fig. 21)

- | | | | |
|----|--|----|--|
| 1 | Entrada de água fria | 20 | Sonda do coletor solar (PT1000 não fornecida*) |
| 2 | Saída de serpentina solar | 21 | Obturador do coletor solar |
| 3 | Entrada de serpentina solar | 22 | Amortecedor de AQS |
| 4 | Recirculação | 23 | Sonda da serpentina solar (não fornecida) |
| 5 | Saída de água quente | 24 | Bomba de calor |
| 8 | Serpentina térmica solar | 25 | Bomba de calor (tipo ATIVAR/DESATIVAR) |
| 10 | Válvula de drenagem | 26 | Corte térmico (fornecido) para bomba solar |
| 16 | Bomba de recirculação (Tipo ATIVAR/DESATIVAR) | A | Cavidade para a sonda solar e o corte térmico |
| 17 | Válvula de retenção | | |
| 18 | Dispositivo de mistura termostático automático | | |
| 19 | Coletor solar | | |

* **Aconselhamos a utilização da sonda do coletor solar PT1000 (disponível na lista de acessórios do fabricante)**

6.7 Ligações elétricas

Antes de ligar o aparelho à rede elétrica CA, deve realizar uma verificação no sistema elétrico para verificar a conformidade com os regulamentos em vigor e se o sistema elétrico tem capacidade de suportar adequadamente os valores de consumo de potência máxima do aquecedor de água (consulte o parágrafo 4.2 para obter as características técnicas), em termos do tamanho dos cabos e respetiva conformidade com os regulamentos em vigor. O aparelho é fornecido com um cabo de alimentação com uma ficha Schuko (fig. 23) e para a ligação à rede elétrica CA é necessário:

- é necessária uma tomada de parede Schuko com ligação à terra e proteção separada (fig. 22);
- um disjuntor de 16 A omipolar com uma abertura de contacto de, no mínimo, 3 mm;
- um disjuntor diferencial de 30 mA.

É proibido utilizar múltiplas tomadas de saída, cabos de extensão ou adaptadores.

É proibido utilizar a tubagem dos sistemas de água, aquecimento e gás para ligar o aparelho à terra.

Antes de utilizar a máquina, certifique-se de que a tensão da rede elétrica está em conformidade com o valor indicado na placa de dados do aparelho.

O fabricante do aparelho não deve ser responsabilizado por eventuais danos causados por falha para ligar o sistema à terra ou devido a anomalias na fonte de alimentação elétrica.

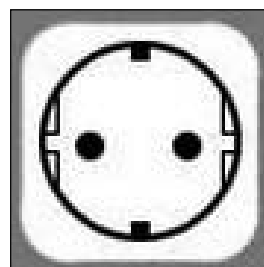


fig. 22 - Tomada Schuko

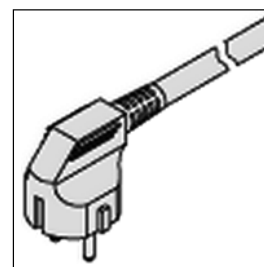


fig. 23 - Ficha da unidade

6.7.1 Ligações remotas

O equipamento foi concebido para ser ligado a outros sistemas de energia remotos ou medidores de energia (sistemas de energia térmica solar e fotovoltaica, fora dos picos de consumo)

ENTRADAS

- Digital 1 (**DIG1**). Entrada digital para térmica solar (*apenas para modelos PCV3*). No caso de um sistema térmico solar com unidade de controlo correspondente, esta última pode ser ligada ao equipamento para desativar a bomba de calor quando houver produção de energia de fonte solar. Tendo um contacto isento de tensão que fecha quando o sistema solar estiver ativo, pode ser ligado aos dois fios **branco e castanho** do cabo de 6 condutores fornecido com o equipamento.

Defina o parâmetro **P16 = 1** para ativar o suplemento com térmica solar.

- Digital 2 (**DIG2**). Entrada digital para fotovoltaico. No caso de um sistema fotovoltaico ligado à instalação, pode ser utilizado para retirar energia na forma de água quente em ocasiões de produção excessiva. Se existir um contacto isento de tensão, por exemplo, do inversor, que fecha quando ocorre produção excessiva de energia, pode ser ligado aos dois fios **verde e amarelo** do cabo de 6 condutores fornecido com o equipamento.

Defina o parâmetro **P23 = 1** para ativar o suplemento com sistema fotovoltaico.

- Digital 3 (**DIG3**). Entrada para fora dos picos de consumo. Esta função, disponível apenas em alguns países, permite que o equipamento seja ativado apenas quando existe um sinal proveniente do exterior com tarifa preferencial. Se o contactor elétrico tiver um contacto isento de tensão que fecha quando a tarifa preferencial está disponível, pode ser ligado aos dois fios **cinzento e cor de rosa** do cabo de 6 condutores fornecido com o equipamento.

Defina o parâmetro **P24 = 1** para ativar Fora dos picos de consumo no modo ECO ou **P24 = 2** para Fora dos picos de consumo no modo AUTOMÁTICO.

- Entrada digital (**LPSW**) para o fluxóstato da bomba de circulação térmica solar/AQS (não fornecido)
- Entrada analógica (**PT1000**) para sonda do coletor solar.

SAÍDAS

Saída de relé de 230 V CA - 16 A com contacto N.A. para bomba de recirculação térmica solar/AQS (tipo ATIVAR/DESATIVAR).

Saída de relé de 230 V CA - 5 A com contacto N.A. para obturador do coletor solar/válvula de drenagem.

Apenas modelos PCV3



Nota: para mais informações sobre ligações remotas e a configuração do equipamento com estes sistemas, consulte o par. “7.5 Modo de funcionamento” e “8.1.1 Lista dos parâmetros do equipamento”.

6.7.1.1 Ligação remota

Para a ligação às entradas digitais, o equipamento é fornecido com um cabo de 6 condutores adicional já ligado à PCBA da interface de utilizador (localizada no interior do dispositivo). As ligações remotas a eventuais sistemas de energia são da responsabilidade do instalador qualificado (caixas de ligações, terminais e cabos de ligação).

As figuras seguintes fornecem um exemplo de ligação remota (fig. 24 e fig. 25) que não deve ser superior a **3 m**.

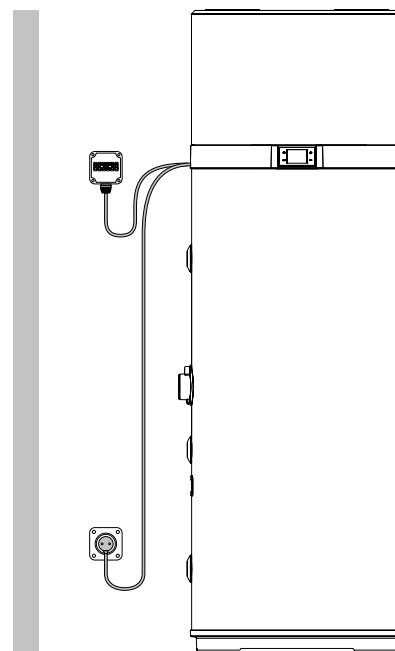


fig. 24- Exemplo de ligação remota

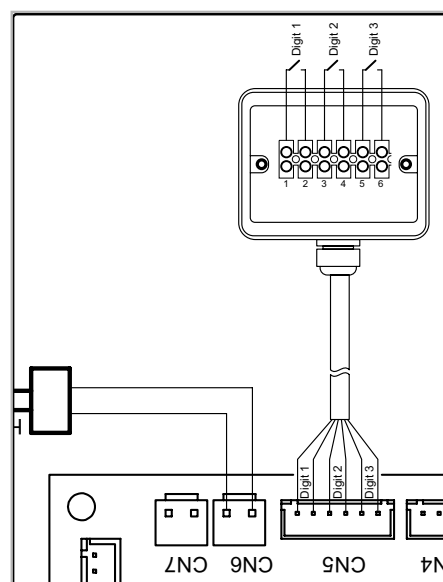


fig. 25

Para aceder ao cabo de 6 condutores para ligação remota, exterior, já presente no interior da unidade, através do buçim especial instalado na tampa traseira.

6.8 Esquema elétrico

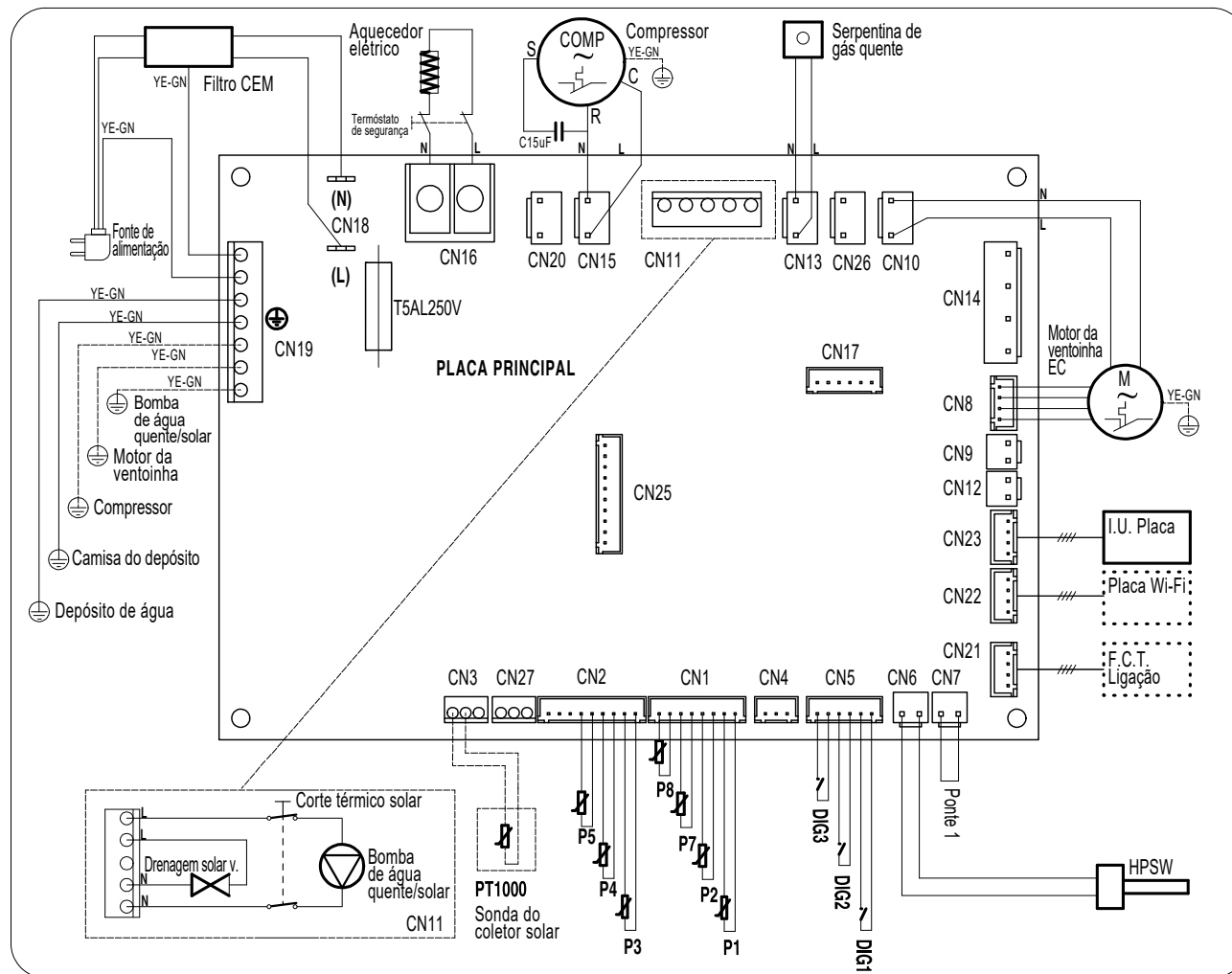


fig. 26- Esquema elétrico do equipamento

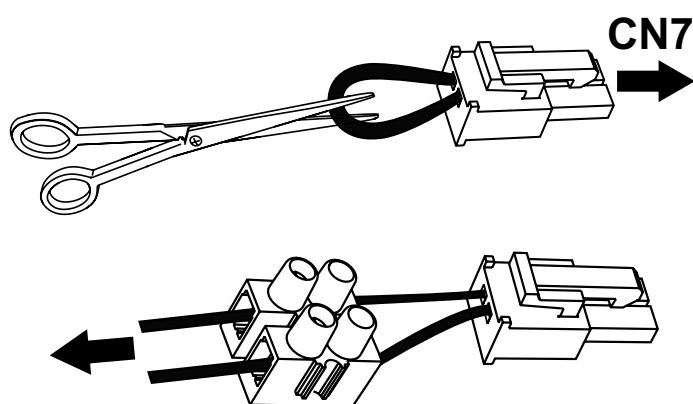
Descrição de ligações disponíveis na placa de alimentação

CN1	Sondas NTC de ar, descongelamento e água	CN13	Fonte de alimentação da válvula de descongelamento de gás quente
CN2	Não utilizável	CN14	Não utilizável
CN3	Sonda para gestão térmica solar - <i>Apenas para modelos PCV3</i>	CN15	Fonte de alimentação do compressor
CN4	Não utilizável	CN16	Fonte de alimentação do elemento de aquecimento
CN5	Entradas digitais solares, sistema fotovoltaico (PV), fora dos picos de consumo	CN17	Não utilizável
CN6	Pressóstato de alta pressão	CN18	Fonte de alimentação principal 230 V - 1 PH - 50 Hz
CN7	Fluxóstato para bomba de circulação térmica solar/AQS (não fornecida)	CN19	Ligações à terra
CN8	Controlo PWM da ventoinha eletrónica (EC)	CN20	Fonte de alimentação 230 V CA para conversor do ânodo de corrente impressa
CN9+CN12	Não utilizável	CN21	Inspeção/teste da ligação com a extremidade da linha
CN10	Fonte de alimentação da ventoinha EC, CA	CN22	Ligação da placa WI-FI (não fornecida)
CN11	Bomba de circulação térmica solar/AQS (tipo ATIVAR/DESATIVAR), válvula de drenagem ou obturador de coletor solar - <i>Apenas para modelos PCV3</i>	CN23	Ligação da interface de utilizador
		CN25	Não utilizável

Para ligar um fluxóstato de segurança para o circuito de recirculação térmico solar/ de água quente ao equipamento, proceda do seguinte modo (reservado apenas para pessoal técnico qualificado):

- Retire o cabo da fonte de alimentação da tomada elétrica do equipamento.
- Remova a tampa superior do equipamento e, em seguida, a tampa da placa de alimentação.
- Desligue o "jumper" (ponte 1) do conector CN7 da placa de alimentação e, em seguida, corte o condutor que forma a ponte no centro e ligue um terminal adequado.
- Em seguida, ligue um fluxóstato do tipo normalmente fechado (N.F.) e ligue tudo a CN7.
- Reinstale todos os plásticos e certifique-se de que o equipamento está instalado corretamente antes de ligá-lo.

Se, em vez disso, utilizar um fluxóstato do tipo normalmente aberto (N.A.), é necessário definir o parâmetro **P15 = 1** (ver par.8.1).



Para ligar o corte térmico (fornecido) para a bomba de circulação solar, proceda do seguinte modo (reservado apenas para pessoal técnico qualificado):

- Retire o cabo da fonte de alimentação da tomada elétrica do aparelho;
- Coloque o bulbo completamente dentro da cavidade do depósito correspondente ("A") e feche o buçim;
- É necessário desenrolar o capilar o suficiente para colocar o corte térmico no interior de uma caixa adequada fixa à parede;
- Ligue o corte térmico em série com as ligações da fonte de alimentação da linha ("L") e neutro ("N") da bomba de circulação solar para desativação de todos os polos.
- Verifique todas as ligações antes de ligar a fonte de alimentação do aparelho.

7. DESCRIÇÃO DA INTERFACE DE UTILIZADOR E DO FUNCIONAMENTO DO EQUIPAMENTO

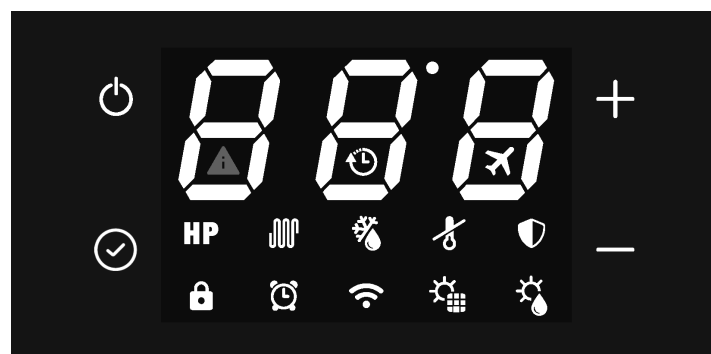


fig. 27

Descrição	Símbolo
Botão "Ativar/Desativar" para ativar, colocar o produto em modo de espera, desbloquear botões, guardar alterações	
Botão "Definir" para editar o valor do parâmetro, confirmar;	
Botão "Aumentar" para aumentar o valor do ponto de regulação, o parâmetro ou palavra-passe	+
Botão "Diminuir" para diminuir o valor do ponto de regulação, o parâmetro ou palavra-passe	-
Funcionamento da bomba de calor (modo ECO)	HP
Funcionamento do elemento de aquecimento (modo ELÉTRICO)	
Modo AUTOMÁTICO	HP +
Modo de REFORÇO (os símbolos ficam intermitentes)	HP +
Bloqueio de botões ativo	
Descongelamento	
Proteção contra congelamento	
Ciclo anti-legionella	
Modo de férias;	
Funcionamento com intervalos de tempo	
Regulação do relógio (o símbolo fica intermitente)	
Ligado com WI-FI (indisponível para estes modelos)	
Modo fotovoltaico (com o símbolo intermitente, o suplemento não está ativo)	
Modo térmico solar (com o símbolo intermitente, o suplemento não está ativo)	
Falha ou proteção ativa	
Modo fora dos picos de consumo (com o símbolo intermitente, o equipamento permanece em modo de espera)	

A interface de utilizador deste modelo de aquecedor de água consiste em quatro botões capacitivos e num visor LED.

Logo que liga o aquecedor, os quatro botões ficam retroiluminados e todos os ícones e segmentos do visor acendem simultaneamente por 3 seg.

Durante o funcionamento normal do produto, os três dígitos no visor mostram a temperatura da água em °C, medida com a sonda de água superior se o parâmetro P11 estiver regulado para 1 ou com a sonda de água inferior se P11 = 0.

Durante a modificação do ponto de regulação do modo de funcionamento selecionado, a temperatura do ponto de regulação é mostrada no visor.

Os ícones indicam o modo de funcionamento selecionado, a presença ou ausência de alarmes, o estado da ligação Wi-Fi e outras informações sobre o estado do produto.

7.1 Ativar e desativar o aquecedor de água e desbloquear os botões

Quando o aquecedor de água estiver corretamente ligado, pode estar "ATIVADO" e, como tal, num dos modos de funcionamento disponíveis (ECO, Automático, etc.) ou no modo de espera.

Durante o modo de espera, os quatro botões capacitivos estão retroiluminados para fácil visibilidade, o ícone de Wi-Fi está aceso de acordo com o estado de ligação com um router de Wi-Fi externo (não fornecido) e, na ausência de alarmes ou proteção contra congelamento ativa, todos os outros ícones e os segmentos dos três dígitos estão desativados.

Ativação

Com o aquecedor de água no modo de espera e a função de "bloqueio de botões" ativa (ícone do cadeado na parte inferior esquerda aceso), é necessário primeiramente "desbloquear" os botões ao pressionar o botão ATIVAR/DESATIVAR por, no mínimo, 3 segundos (o ícone do cadeado desliga) e, em seguida, pressione novamente o botão ATIVAR/DESATIVAR por 3 segundos para ativar o aquecedor de água.





Desativação

Com o aquecedor de água ativado e a função de "bloqueio de botões" ativa, é necessário primeiramente "desbloquear" os botões ao pressionar o botão ATIVAR/DESATIVAR por, no mínimo, 3 segundos e, em seguida, pressione novamente o botão ATIVAR/DESATIVAR por 3 segundos para desativar o aquecedor de água (colocar no modo de espera).

Em qualquer estado, 60 segundos após a última vez que pressionou qualquer um dos quatro botões da interface de utilizador, a função de bloqueio de botões é ativada automaticamente para evitar possíveis interações com o aquecedor de água, por exemplo, por crianças, etc. Ao mesmo tempo, o nível de retroiluminação dos botões e do visor diminui para reduzir o consumo de eletricidade da unidade.

Ao pressionar qualquer um dos quatro botões, a retroiluminação dos botões e do visor retorna imediatamente ao seu nível normal para melhor visibilidade.



7.2 Regulação do relógio


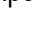
Com os botões desbloqueados, pressione o botão  por 3 segundos para aceder às regulações do relógio (o símbolo  fica intermitente). Regule o tempo com os botões "+" e "-", pressione "" para confirmar e, em seguida, regule os minutos. Pressione o botão  para confirmar e sair.

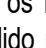
7.3 Definir os intervalos de tempo


O relógio do equipamento tem de ser regulado antes de ativar os intervalos de tempo.

Selecione o modo de funcionamento pretendido e regule os intervalos de tempo em seguida.

Os intervalos de tempo podem ser ativados apenas nos modos ECO - AUTOMÁTICO - REFORÇO - ELÉTRICO e VENTILAÇÃO. Com os botões soltos, pressione o botão  e o botão "-" em conjunto durante 3 segundos para definir os intervalos de tempo (o símbolo  é apresentado).

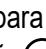


Regule o tempo de ativação utilizando os botões "+" e "-", pressione "" para confirmar e, em seguida, regule os minutos de Ativação. Pressione  para confirmar e aceda à definição de tempo de desativação.

Pressione  para confirmar, em seguida, utilizando os botões "+" e "-", selecione o modo de funcionamento pretendido para o intervalo de tempo (ECO, AUTOMÁTICO, REFORÇO, ELÉTRICO, VENTILAÇÃO).

Pressione  para confirmar e sair.

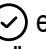
Nota: no fim do intervalo de tempo, o equipamento entra no modo de espera e permanece neste modo até ocorrer a repetição do intervalo de tempo no dia seguinte



Para desativar os intervalos de tempo:

- defina os tempos de ativação e desativação para a meia-noite (00:00);
- prima  para confirmar;
- prima o botão  e o botão "-" ao mesmo tempo por 3 segundos (o símbolo  apaga).

7.4 Regular o ponto de regulação da água quente

É possível ajustar o ponto de regulação da água quente nos modos ECO, AUTOMÁTICO, REFORÇO e ELÉTRICO

Selecione o modo pretendido com o botão  e, em seguida, ajuste o ponto de regulação com os botões "+" e "-".

Pressione o botão  para confirmar e  para sair.


Modo	Ponto de regulação da água quente	
	Gama	Predefinição
ECO	43-62°C	55°C
AUTOMÁTICO	43-62°C	55°C
REFORÇO	43-75°C*	55°C
ELÉTRICO	43-75°C	55°C

* No modo de ARRANQUE, o valor máximo do ponto de regulação para a bomba de calor é 62°C. Como tal, ao definir um valor mais alto, deve ter este facto em consideração apenas para o elemento de aquecimento.

7.5 MODO DE FUNCIONAMENTO

Os seguintes modos estão disponíveis para este aquecedor de água:

- ECO;
- REFORÇO;
- ELÉTRICO;
- VENTILAÇÃO;
- FÉRIAS;
- AUTOMÁTICO.

O equipamento está regulado no modo ECO; ao premir este botão  é possível selecionar o modo pretendido.

Para os modos ECO, REFORÇO e AUTOMÁTICO, ao premir o botão "+" e "-" simultaneamente por 3 segundos, é possível ativar o "modo silencioso" (por exemplo durante a noite), o que reduz o ruído do equipamento; nesta condição, o desempenho em termos de taxa de aquecimento de água poderá ser inferior. Para desativar este modo, prima os botões "+" e "-" novamente por 3 segundos.

7.5.1 ECO

O visor apresenta o símbolo **HP**

Com este modo, apenas a bomba de calor é utilizada dentro dos limites de funcionamento do produto para assegurar a máxima poupança de energia possível.

A bomba de calor é ativada 5 minutos após selecionar este modo ou a partir da última desativação.

No caso de desativação, nos primeiros 5 minutos, a bomba de calor permanece ativada para assegurar, no mínimo, 5 minutos de funcionamento contínuo.

7.5.2 REFORÇO

O visor apresenta os símbolos **HP + ** intermitentes.


Este modo utiliza a bomba de calor e o elemento de aquecimento, dentro dos limites de funcionamento do produto, para assegurar um aquecimento mais rápido.

A bomba de calor é ativada 5 minutos após selecionar este modo ou a partir da última desativação.

No caso de desativação, nos primeiros 5 minutos, a bomba de calor permanece ativada para assegurar, no mínimo, 5 minutos de funcionamento contínuo.

O elemento de aquecimento é ativado imediatamente.

7.5.3 ELÉTRICO

O visor apresenta o símbolo .

Com este modo, apenas o elemento de aquecimento é utilizado dentro dos limites de funcionamento do produto e é útil em situações de baixas temperaturas do ar de entrada.

7.5.4 VENTILAÇÃO

O visor apresenta a mensagem **FRn**.

Com este modo, apenas a ventoinha eletrónica no interior do dispositivo é utilizada e é útil para recircular o ar na divisão de instalação, se pretendido.

No modo automático, a ventoinha é ajustada para a velocidade mínima.

7.5.5 FÉRIAS

O visor apresenta o símbolo .


Este modo é útil quando pretender ausentar-se por um tempo limitado e automaticamente encontrar o dispositivo a funcionar posteriormente no modo automático.

Utilizando os botões + e - é possível definir os dias de ausência durante os quais o equipamento tem de permanecer no modo de espera.

Pressione  e depois ative e desative para confirmar.



7.5.6 AUTOMÁTICO

O visor apresenta o símbolo **HP + **.

Com este modo, a bomba de calor é utilizada e, se necessário, também o elemento de aquecimento, dentro dos limites de funcionamento do produto para assegurar o melhor conforto possível.

A bomba de calor é ativada 5 minutos após selecionar este modo ou a partir da última desativação.

No caso de desativação, nos primeiros 5 minutos, a bomba de calor permanece ativada para assegurar, no mínimo, 5 minutos de funcionamento contínuo.

7.6 CARACTERÍSTICAS ADICIONAIS

7.6.1 Modo solar **HP**+☀️ ou **HP**+☀️+☀️ ou ✈️+☀️ (Apenas para modelos PCV3)

Quando o modo solar for ativado no menu do instalador, apenas ECO - AUTOMÁTICO - FÉRIAS estão disponíveis.

Quando o símbolo ☀️ no visor fica intermitente, o modo solar não está a funcionar e a unidade funciona no modo definido: ECO, AUTOMÁTICO ou FÉRIAS.

Quando o símbolo ☀️ no visor estiver aceso, a energia produzida pelo sistema solar é utilizada para aquecer a água dentro do depósito através da serpentina solar.

7.6.2 Modo fotovoltaico **HP**+☀️+☀️ ou **HP**+☀️+☀️+☀️ ou ✈️+☀️+☀️

Quando o modo fotovoltaico for ativado no menu do instalador, apenas ECO - AUTOMÁTICO - FÉRIAS estão disponíveis.

Quando o símbolo ☀️+☀️ no visor fica intermitente, o modo fotovoltaico não está a funcionar e a unidade funciona no modo definido: ECO, AUTOMÁTICO ou FÉRIAS.

Quando o símbolo ☀️+☀️ no visor estiver aceso, a energia produzida pelo sistema fotovoltaico é utilizada para aquecer a água dentro do depósito.

Com o modo ECO selecionado, a bomba de calor funciona até atingir o ponto de regulação e o elemento de aquecimento é ativado até atingir o ponto de regulação fotovoltaico definido no menu do instalador.

Caso contrário, com o modo AUTOMÁTICO selecionado, o elemento de aquecimento também pode ser ativado antes de atingir o ponto de regulação deste modo se as condições o exigirem.

7.6.3 Modo fora dos picos de consumo **HP**+🕒 ou **HP**+🕒+🕒

Quando o modo fotovoltaico for ativado no menu do instalador, apenas ECO - AUTOMÁTICO estão disponíveis.

Quando o símbolo 🕒 no visor fica intermitente, o modo Fora dos picos de consumo não está a funcionar e a unidade permanece em modo de espera e a bomba de calor e o elemento de aquecimento estão desativados.

Caso contrário, quando o símbolo 🕒 no visor estiver aceso, a unidade funciona no modo ECO ou AUTOMÁTICO.

7.6.4 Anti-legionella

O visor apresenta o símbolo 🛡️.

A cada duas semanas, à hora definida, o ciclo de aquecimento de água é realizado através do elemento de aquecimento no interior do depósito até à temperatura anti-legionella, mantendo-a pelo tempo definido.

Se, ao atingir a temperatura anti-legionella, o ciclo não for realizado corretamente no período de 10 horas, é interrompido e será novamente executado após 2 semanas.

Se ocorrer o pedido da função anti-legionella com o modo de FÉRIAS selecionado, o ciclo anti-legionella é realizado imediatamente quando a unidade for reativada após os dias de ausência definidos.

Parâmetros anti-legionella	Gama	Predefinição
Ponto de regulação da temperatura anti-legionella (P3)	50÷75°C	75°C
Duração do ciclo anti-legionella (P4)	0÷90 min	30 min
Tempo de ativação do ciclo anti-legionella (P29)	0÷23 h	23 h

7.6.5 Função de descongelamento

O visor apresenta o símbolo 🧊.

Este dispositivo possui uma função de descongelamento automático do evaporador que é ativada quando as condições de funcionamento o exigem, durante o funcionamento da bomba de calor.

O descongelamento ocorre através da injeção de gás quente para o evaporador, permitindo que seja rapidamente descongelado.

Durante o descongelamento, o elemento de aquecimento com o qual o equipamento é fornecido é desativado, exceto definido em contrário através do menu do instalador (parâmetro P6).

A duração máx. de descongelamento é 8 minutos.

7.6.6 Protecção contra congelamento














O visor apresenta o símbolo ❄️.

Esta proteção evita que a temperatura da água no interior do depósito atinja valores próximos de zero.

Com o equipamento no modo de espera, quando a temperatura da água no interior do depósito for inferior ou igual a 5°C (parâmetro configurável através do menu do instalador), a função de protecção contra congelamento ativa, a qual ativa o elemento de aquecimento até atingir 12°C (parâmetro configurável através do menu do instalador).

7.7 Falhas/proteção

Este equipamento possui um sistema de autodiagnóstico que abrange algumas possíveis falhas ou proteções de condições de funcionamento anómalas através de: deteção, sinalização e adoção de um procedimento de emergência até à resolução da falha.

Falha/proteção	Código de erro	Indicação do visor
Falha da sonda inferior do depósito	P01	 + P01
Falha da sonda superior do depósito	P02	 + P02
Falha da sonda de descongelamento	P03	 + P03
Falha da sonda de ar de entrada	P04	 + P04
Falha da sonda de entrada do evaporador	P05	 + P05
Falha da sonda de saída do evaporador	P06	 + P06
Falha da sonda e fluxo do compressor	P07	 + P07
Falha da sonda do coletor solar	P08	 + P08
Proteção contra alta pressão	E01	 + E01
Alarme do circuito solar/recirculação	E02	 +E02
Alarme de temperatura inadequada para funcionamento da bomba de calor (Com o alarme ativo, a água é aquecido apenas com o elemento de aquecimento)	PA	 +PA
Sem comunicação (com o alarme ativo, o equipamento não funciona)	E08	 + E08
Falha da ventoinha eletrónica	E03	 + E03

No caso de qualquer uma das falhas anteriores, é necessário contactar o serviço de assistência técnica do fabricante, indicando o código de erro apresentado no visor.

8. ATIVAÇÃO



ATENÇÃO! Verifique se o equipamento foi ligado ao fio terra.



ATENÇÃO! Verifique se a tensão de alimentação corresponde à indicada na placa de classificação do equipamento.



CUIDADO: O aparelho apenas pode ser ativado após ter sido abastecido de água.

Prossiga com as seguintes operações para ativação:

- Após instalar o aparelho e efetuar todas as ligações (aerúlicas, hidráulicas, elétricas, etc.), deve enchê-lo com água da rede de abastecimento de água sanitária. Para encher o aparelho, é necessário abrir a torneira central do abastecimento de rede sanitária e a torneira de água quente mais próxima, assegurando ao mesmo tempo que todo o ar no depósito é expelido gradualmente.
- Não exceda a pressão máx. permitida indicada na secção "Dados técnicos gerais".
- Verifique os dispositivos de segurança do circuito da água.
- Ligue a unidade à tomada elétrica.
- Quando a ficha é inserida, a caldeira fica em modo de espera, o visor continua desligado e o botão de ligar e desligar acende.
- Pressione o botão ATIVAR/DESATIVAR, a unidade é ativada no modo "ECO" (definição de fábrica).

No caso de uma falha súbita de energia, quando restaurado, o equipamento reinicia a partir do modo de funcionamento anterior à interrupção.

8.1 Consulte, edição dos parâmetros de funcionamento

Este equipamento tem dois menus distintos, respetivamente, para consultar e editar os parâmetros de funcionamento (ver "8.1.1 Lista dos parâmetros do equipamento").

Com o equipamento a funcionar, os parâmetros podem ser consultados livremente a qualquer altura ao desbloquear os botões (ver "7.1 Ativar e desativar o aquecedor de água e desbloquear os botões") e pressionar os botões "☑" e "+" em conjunto durante 3 segundos. A etiqueta do primeiro parâmetro é apresentada no visor com a letra "A". Ao pressionar o botão "+" apresenta o respetivo valor e, ao pressionar este botão novamente, a etiqueta do segundo parâmetro "B" é apresentada e assim sucessivamente. A lista de parâmetros completa pode então ser percorrida para a frente e para trás com os botões "+" e "-".

Pressione o botão "ATIVAR/DESATIVAR" para sair.

Pode editar um ou mais parâmetros de funcionamento apenas com o equipamento em modo de espera e requer a introdução da palavra-passe.



Nota! "A utilização da palavra-passe está reservada ao pessoal qualificado; quaisquer consequências decorrentes de definições de parâmetros incorretas é da exclusiva responsabilidade do cliente. Como tal, quaisquer intervenções solicitadas pelo cliente de um centro de assistência técnica autorizado DAIKIN durante o período de garantia padrão, para problemas do produto devido a definições incorretas de parâmetros protegidos por palavra-passe não serão cobertas pela garantia padrão".

Com os botões desbloqueados, apenas no modo de espera, pressione os botões "☑" e "+" em conjunto durante 3 segundos para aceder ao menu de edição de parâmetros do equipamento (protegido por palavra-passe: 35). O visor apresenta os dois dígitos "00". Pressione o botão "☑". O dígito "0" no lado esquerdo fica intermitente e com "+" e "-" selecione o primeiro número a introduzir (3) e pressione "☑" para confirmar. Proceda da mesma forma para o segundo dígito (5).

Se a palavra-passe estiver correta, o parâmetro P1 é apresentado. Ao pressionar o botão "+" apresenta o valor predefinido deste parâmetro que pode ser alterado ao pressionar "☑" e utilizando os botões "+" e "-", é possível alterar o valor dentro do intervalo admissível para este parâmetro. Em seguida, pressione "☑" para confirmar e o botão "+" para continuar com os outros parâmetros.

Após editar os parâmetros pretendidos, pressione o botão ativar/desativar para guardar e sair.

O equipamento retorna agora ao modo de espera.

8.1.1 Lista dos parâmetros do equipamento

Parâmetro	Descrição	Gama	Predefinição	Notas
A	Sonda de temperatura da água inferior	-30÷99°C	Valor medido	Não modificável
B	Sonda de temperatura da água superior	-30÷99°C	Valor medido	Não modificável
C	Sonda de temperatura de descongelamento	-30÷99°C	Valor medido	Não modificável
D	Sonda de temperatura do ar de fornecimento	-30÷99°C	Valor medido	Não modificável
E	Sonda de temperatura do gás de entrada do evaporador	-30÷99°C	Valor medido/"0°C" se P33 = 0	Não modificável (1)
F	Sonda de temperatura do gás de saída do evaporador	-30÷99°C	Valor medido/"0°C" se P33 = 0	Não modificável (1)
G	Sonda de temperatura do gás de descarga do compressor	0÷125°C	Valor medido/"0°C" se P33 = 0	Não modificável (1)
A	Sonda de temperatura do coletor solar (PT1000)	0÷150°C	Valor medido/"0°C" se P16 = 2	Não modificável (2)
I	Passo de abertura EEV	30÷500	Valor medido/valor P40 se P39 = 1	Não modificável (1)
J	Versão do firmware da placa de alimentação	0÷99	Valor corrente	Não modificável
L	Versão do firmware da interface de utilizador	0÷99	Valor corrente	Não modificável
P1	Histerese na sonda de água inferior para funcionamento da bomba de calor	2÷15°C	7°C	Modificável
P2	Atraso de ativação do aquecedor elétrico	0÷90 min	6 min	Função excluída
P3	Temperatura do ponto de regulação de anti-legionella	50°C÷75°C	75°C	Modificável
P4	Duração de anti-legionella	0÷90 min	30 min	Modificável
P5	Modo de descongelamento	0 = paragem do compressor 1 = gás quente	1	Modificável
P6	Utilização do aquecedor elétrico durante o descongelamento	0 = DESATIVADO 1 = ATIVADO	0	Modificável
P7	Atraso entre dois ciclos de descongelamento consecutivos	30÷90 min	60 min	Modificável
P8	Limite de temperatura para início de descongelamento	-30÷0°C	-5°C	Modificável
P9	Limite de temperatura para paragem de descongelamento	2÷30°C	3°C	Modificável
P10	Duração máxima de descongelamento	3 min÷12 min	10 min	Modificável
P11	Valor da sonda de temperatura da água apresentado no visor	0 = inferior 1 = superior	1	Modificável
P12	Modo de utilização da bomba externa	0 = sempre DESATIVADO 1 = recirculação de água quente 2 = sistema solar térmico	1	Modificável
P13	Modo de funcionamento da bomba de recirculação de água quente	0 = com bomba de calor 1 = sempre ATIVADO	0	Modificável
P14	Tipo de ventoinha do evaporador (EC; CA; CA com velocidade dupla; EC com controlo de velocidade dinâmico)	0 = EC 1 = CA 2 = CA com velocidade dupla 3 = EC com controlo de velocidade dinâmico	3	Modificável
P15	Tipo de fluxóstato de segurança para o circuito de recirculação de água quente/solar, interruptor de seleção de baixa pressão	0 = NC 1 = NO 2 = interruptor de seleção de baixa pressão	0	Modificável
P16	Integração do modo solar	0 = permanentemente desativado 1 = a funcionar com DIG1 2 = controlo direto do sistema solar térmico	0	Modificável (2)

Parâmetro	Descrição	Gama	Predefinição	Notas
P17	Atraso de arranque da bomba de calor após abertura DIG1	10÷60 min	20 min	Modificável (2)
P18	Valor da temperatura da sonda de água inferior para parar a bomba de calor na integração do modo solar = 1 (a funcionar com DIG1)	20÷60°C	40°C	Modificável (2)
P19	Histerese na sonda de temperatura da água inferior para iniciar a bomba na integração do modo solar = 2 (controlo direto do sistema solar térmico)	5÷20°C	10°C	Modificável (2)
P20	Limite de temperatura para ação do obturador de enrolamento da válvula de drenagem/ coletor solar na integração do modo solar = 2 (controlo direto do sistema solar térmico)	100÷150°C	140°C	Modificável (2)
P21	Valor da temperatura da sonda de água inferior para parar a bomba de calor na integração do modo fotovoltaico	30÷70°C	62°C	Modificável
P22	Valor da temperatura da sonda de água superior para parar o aquecedor elétrico na integração do modo fotovoltaico	30÷80°C	75°C	Modificável
P23	Integração do modo fotovoltaico	0 = permanentemente desativado 1 = ativada	0	Modificável
P24	Modo de funcionamento fora dos picos de consumo	0 = permanentemente desativado 1 = ativado com ECO 2 = ativado com AUTOMÁTICO	0	Modificável
P25	Valor de desvio na sonda de temp. da água superior	-25÷25°C	2°C	Modificável
P26	Valor de desvio na sonda de temp. da água inferior	-25÷25°C	2°C	Modificável
P27	Valor de desvio na sonda de temp. da entrada de ar	-25÷25°C	0°C	Modificável
P28	Valor de desvio na sonda de temp. de descongelamento	-25÷25°C	0°C	Modificável
P29	Hora de início de anti-legionella	0÷23 horas	23 horas	Modificável
P30	Histerese na sonda de água superior para funcionamento do aquecedor elétrico	2÷20°C	7°C	Modificável
P31	Período de funcionamento da bomba de calor no modo AUTOMÁTICO para cálculo da taxa de aquecimento	10÷80 min	30 min	Modificável
P32	Limite de temperatura para utilização do aquecedor elétrico no modo AUTOMÁTICO	0÷20°C	4°C	Modificável
P33	Controlo da válvula de expansão eletrónica (EEV)	0 = permanentemente desativado 1 = ativada	1	Modificável (1)
P34	Período de cálculo de sobreaquecimento para o modo de controlo automático da EEV	20÷90 seg	30 seg	Modificável (1)
P35	Ponto de regulação de sobreaquecimento para o modo de controlo automático da EEV	-8÷15°C	4°C	Modificável (1)
P36	Ponto de regulação de subaquecimento para o modo de controlo automático da EEV	60÷110°C	88°C	Modificável (1)
P37	Abertura de passo EEV durante o modo de descongelamento (x10)	5÷50	15	Modificável (1)
P38	Abertura mínima do passo EEV com modo de controlo automático (x10)	3~45	9	Modificável (1)
P39	Modo de controlo EEV	0= automático 1 = manual	0	Modificável (1)

Parâmetro	Descrição	Gama	Predefinição	Notas
P40	Abertura inicial do passo EEV com modo de controlo automático/abertura do passo EEV com modo de controlo manual (x10)	5÷50	25	Modificável (1)
P41	Limite de temperatura AKP1 para ganho EEV KP1	-10÷10°C	-1	Modificável (1)
P42	Limite de temperatura AKP2 para ganho EEV KP2	-10÷10°C	0	Modificável (1)
P43	Limite de temperatura AKP3 para ganho EEV KP3	-10÷10°C	0	Modificável (1)
P44	Ganho EEV KP1	-10÷10	2	Modificável (1)
P45	Ganho EEV KP2	-10÷10	2	Modificável (1)
P46	Ganho EEV KP3	-10÷10	1	Modificável (1)
P47	Temperatura máxima de entrada admissível para funcionamento da bomba de calor	38÷43°C	43°C	Modificável
P48	Temperatura mínima de entrada admissível para funcionamento da bomba de calor	-10÷10°C	-7°C	Modificável
P49	Limite da temperatura de entrada para evaporador EC ou CA com definição de velocidade dupla da serpentina	10÷40°C	25°C	Modificável
P50	Ponto de regulação da temperatura da água inferior anticongelante	0÷15°C	12°C	Modificável
P51	Ponto de regulação da velocidade superior da serpentina EC do evaporador	60÷100%	90%	Modificável
P52	Ponto de regulação da velocidade inferior da serpentina EC do evaporador	10÷60%	50%	Modificável
P53	Ponto de regulação da velocidade de descongelamento da ventoinha do evaporador EC	0÷100%	50%	Modificável
P54	Tempo de derivação do pressóstato de baixa pressão	1÷240 min	1	Modificável
P55	Regulação proporcional da temperatura do evaporador do intervalo 1	1÷20°C	4°C	Modificável
P56	Temperatura diferencial com ativação da velocidade máxima	P57÷20°C	2°C	Modificável
P57	Temperatura diferencial com desativação da velocidade máxima	1°C÷P56	1°C	Modificável
P58	Utilização da ventoinha do evaporador com o compressor desativado	0 = DESATIVADO 1 = ATIVADO com controlo de velocidade manual 2 = ATIVADO com controlo de velocidade automático	0	Modificável
P59	Velocidade da ventoinha do evaporador (EC) com compressor desativado	0÷100%	40%	Modificável
P60	Diferença de temperatura 1 de evaporação do ar para o cálculo do ponto de regulação	1÷25°C	4°C	Modificável
P61	Diferença de temperatura 2 de evaporação do ar para o cálculo do ponto de regulação	1÷25°C	2°C	Modificável
P62	Diferença de temperatura 3 de evaporação do ar para o cálculo do ponto de regulação	1÷25°C	6°C	Modificável
P63	Diferença de temperatura 4 de evaporação do ar para o cálculo do ponto de regulação	1÷25°C	3°C	Modificável
P64	Diferença de temperatura 5 de evaporação do ar para o cálculo do ponto de regulação	1÷25°C	10°C	Modificável
P65	Diferença de temperatura 6 de evaporação do ar para o cálculo do ponto de regulação	1÷25°C	18°C	Modificável
P66	Regulação proporcional da temperatura do evaporador do intervalo 2	1÷20°C	2°C	Modificável

Parâmetro	Descrição	Gama	Predefinição	Notas
P67	Regulação proporcional da temperatura do evaporador do intervalo 3	1±20°C	9°C	Modificável
P68	Regulação proporcional da temperatura do evaporador do intervalo 4	1±20°C	5°C	Modificável
P69	Regulação proporcional da temperatura do evaporador do intervalo 5	1±20°C	10°C	Modificável
P70	Regulação proporcional da temperatura do evaporador do intervalo 6	1±20°C	5°C	Modificável
P71	Redução da velocidade da ventoinha do evaporador EC para o modo silencioso	0÷40%	15%	Modificável
P72	Ganho do regulador de velocidade da ventoinha EC	1÷100	5	Modificável

(1) = NÃO UTILIZÁVEL PARA ESTE DISPOSITIVO

(2) = APENAS PARA MODELOS "EKHHE200PCV37, EKHHE260PCV37"

9. RESOLUÇÃO DE PROBLEMAS



CUIDADO: não tente reparar o aparelho por iniciativa própria.

As seguintes verificações estão reservadas apenas para pessoal qualificado.

Falha	Medida recomendada
O equipamento não ativa	<ul style="list-style-type: none"> • Verifique se o produto está efetivamente a ser alimentado pela tomada elétrica. • Desligue o equipamento e volte a ligá-lo em seguida após alguns minutos. • Verifique o cabo elétrico no interior do produto. • Verifique se o fusível na placa de alimentação está intacto. Caso contrário, substitua-o por um fusível de 5 A com atraso certificado IEC-60127-2/II.
A água não aquece através da bomba de calor no modo ECO ou AUTOMÁTICO	<ul style="list-style-type: none"> • Desative o equipamento e ative-no novamente após algumas horas. • Desligue o equipamento da corrente elétrica, drene parte da água contida no depósito (aprox. 50%) e, em seguida, reabasteça-o e ative o equipamento novamente no modo ECO.
A bomba de calor permanece ativada sem sequer parar	<ul style="list-style-type: none"> • Sem retirar água quente do produto, verifique se no intervalo de algumas horas o aquecimento através da bomba de calor ocorre de forma positiva.
A água não aquece através do elemento de aquecimento integrado no modo AUTOMÁTICO	<ul style="list-style-type: none"> • Desative o equipamento e verifique o termóstato de segurança do elemento de aquecimento no interior do equipamento e, se necessário, reponha-o. Em seguida, ative o equipamento no modo AUTOMÁTICO. • Desligue o equipamento da corrente elétrica, drene parte da água contida no depósito (aprox. 50%) e, em seguida, reabasteça-o e ative o equipamento novamente no modo AUTOMÁTICO. • Aceda ao menu do instalador e aumente o valor do parâmetro P32, por exemplo, para 7°C. • Verifique se o termóstato de segurança do elemento de aquecimento não foi alvo de intervenção (ver 9.2)

9.1 Substituição do fusível da placa de alimentação

Proceda conforme indicado em seguida (reservado apenas para pessoal técnico qualificado):

- Retire o cabo da fonte de alimentação da tomada elétrica do equipamento.
- Remova a tampa superior do equipamento e, em seguida, a tampa da placa de alimentação.
- Remova a tampa do fusível e, em seguida, o fusível com uma chave de fenda adequada.
- Instale um novo fusível de 5 A com atraso certificado IEC-60127-2/II (T5AL250V) e, em seguida, instale novamente a tampa de proteção.
- Reinstale todos os plásticos e certifique-se de que o equipamento está instalado corretamente antes de ligá-lo.

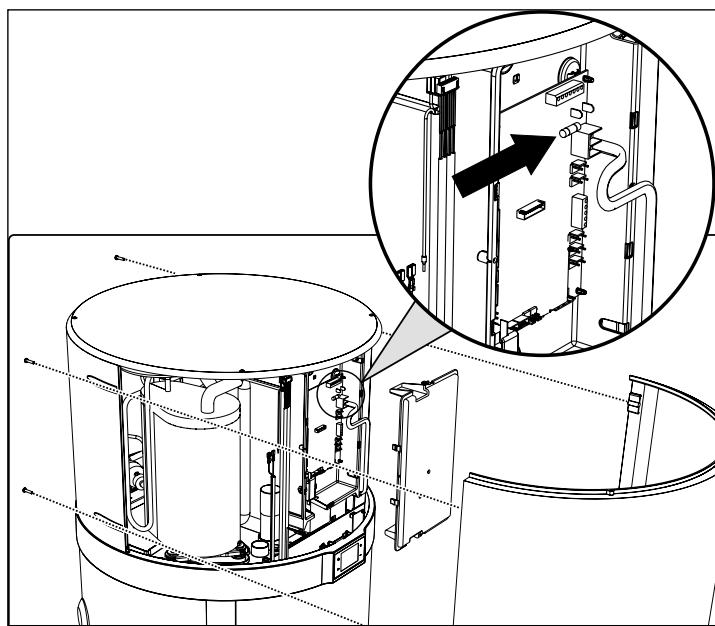


fig. 28

9.2 Reposição do termóstato de segurança do elemento de aquecimento

Este equipamento possui um termóstato de segurança de reposição manual ligado em série com o elemento de aquecimento submerso na água, o qual interrompe a fonte de alimentação no caso de temperatura excessiva no interior do depósito.

Se necessário, proceda do seguinte modo para repor o termóstato (reservado para pessoal técnico qualificado):

- Retire a ficha do produto da tomada elétrica.
- Remova quaisquer condutas de ar.
- Remova a tampa superior, desapertando primeiramente os parafusos de bloqueio (fig. 29).

- Remova o painel frontal e reponha manualmente o termóstato de segurança acionado (fig. 30). No caso de intervenção, o pino central do termóstato fica saliente aprox. 2 mm.
- Instale novamente a tampa superior removida anteriormente.

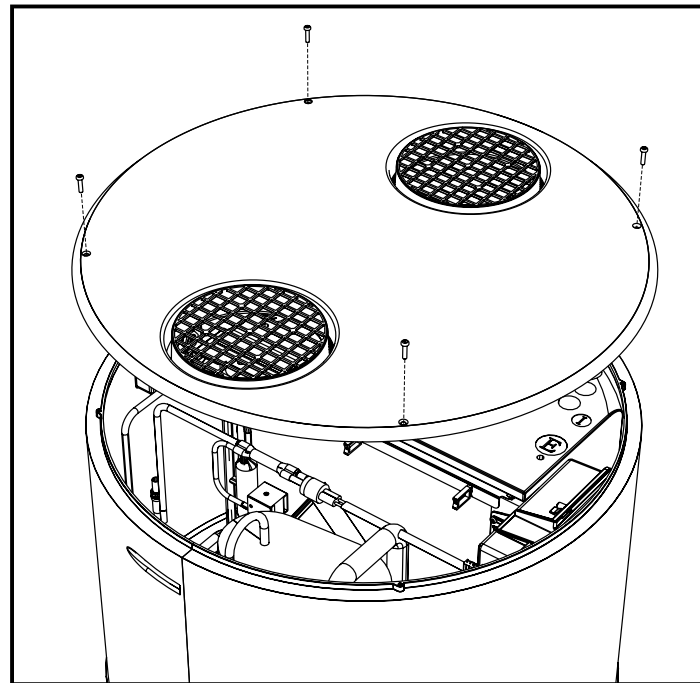


fig. 29- Remoção da tampa superior

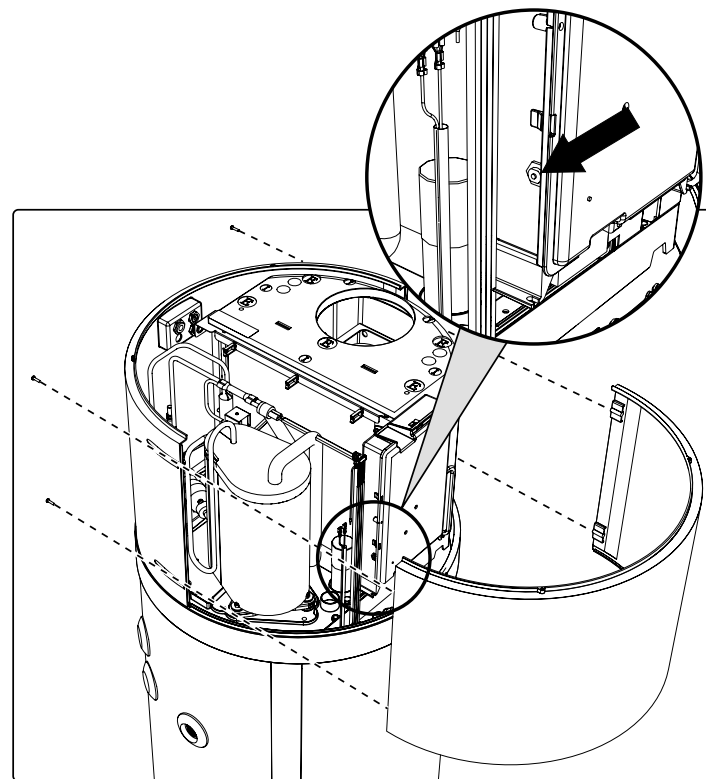


fig. 30- Remoção do painel frontal

⚠ ATENÇÃO! A intervenção do termostato de segurança pode ser causada por uma falha relacionada com a placa de controlo ou por ausência de água no interior do depósito.

⚠ ATENÇÃO! Executar trabalhos de reparação nas peças com função de segurança compromete o funcionamento seguro do equipamento. Substitua as peças anómalas apenas por peças sobresselentes originais.

! Nota! A intervenção do termostato impede o funcionamento do elemento de aquecimento, mas não do sistema de bomba de calor dentro dos limites de funcionamento permitidos.

⚠ ATENÇÃO! Se o operador não conseguir eliminar a falha, desative o equipamento e contacte o Serviço de Assistência Técnica, comunicando o modelo do produto adquirido.

10. MANUTENÇÃO

⚠ ATENÇÃO! Quaisquer reparações efetuadas no equipamento têm de ser realizadas por pessoal qualificado. As reparações incorretas podem colocar o utilizador em perigo grave. Se o equipamento necessitar de reparação, contacte o centro de assistência.

⚠ ATENÇÃO! Antes de efetuar qualquer operação de manutenção, certifique-se de que o equipamento não está nem pode ser ligado acidentalmente à alimentação elétrica. Como tal, desligue a fonte de alimentação em qualquer operação de manutenção ou limpeza.

10.1 Verificação/substituição do ânodo de sacrifício

O ânodo de magnésio (Mg), também designado por ânodo de sacrifício, evita que eventuais correntes parasitas geradas no interior da caldeira acionem processos de corrosão da superfície. Na verdade, o magnésio é um metal com carga fraca em comparação com o material de revestimento do interior da caldeira e, como tal, atrai primeiro as cargas negativas que se formam com o aquecimento de água, consumindo-se a si próprio. Assim, o ânodo "sacrifica-se" ao corroer-se a si próprio em vez de corroer o depósito. A caldeira tem dois ânodos, um instalado na parte inferior do depósito e outro instalado na parte superior do depósito (área mais sujeita a corrosão).

A integridade dos ânodos de Mg tem de ser verificada pelo menos a cada dois anos (preferencialmente uma vez por ano). A operação tem de ser realizada por pessoal qualificado.

Antes de efetuar a verificação:

- Feche a entrada de água fria.
- Proceda ao esvaziamento da caldeira (ver par. "10.2 Esvaziamento da caldeira").
- Desaparafuse o ânodo superior e verifique a respetiva corrosão; se a corrosão afetar mais de 2/3 da superfície do ânodo, proceda à substituição.

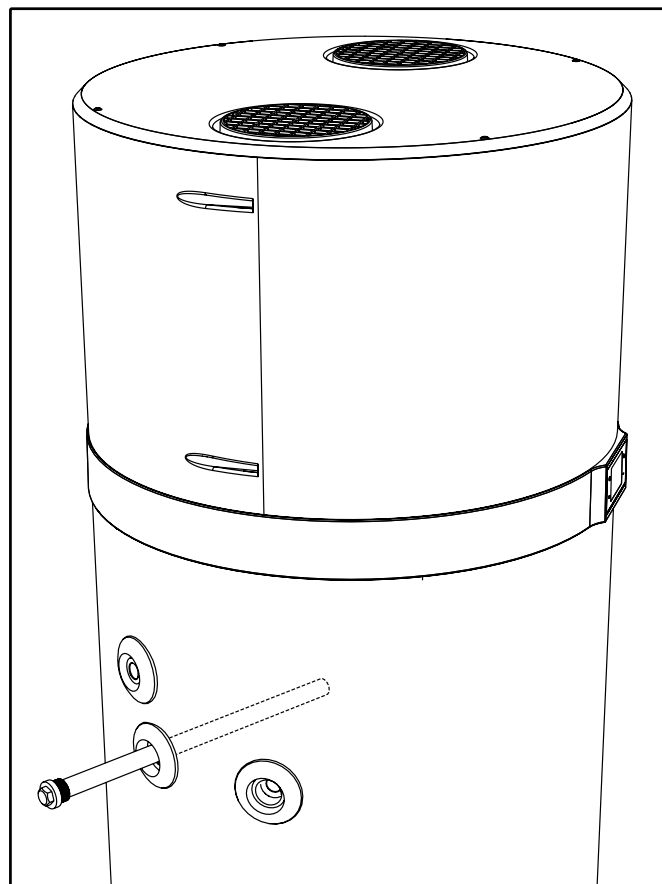


fig. 31

Os ânodos possuem uma junta de vedação especial para evitar fugas de água; é aconselhável utilizar um vedante para roscas anaeróbico compatível para utilização em sistemas de canalizações de aquecimento. As juntas de vedação devem ser substituídas por novas no caso de verificação e também substituição do ânodo.

10.2 Esvaziamento da caldeira

Se não estiver a ser utilizada, especialmente no caso de temperaturas baixas, é aconselhável drenar a água no interior da caldeira.

Para o equipamento em causa, desprenda a ligação da entrada de água (ver par. "6.5 Ligações hidráulicas"). Em alternativa, quando instalar o sistema, é aconselhável instalar uma torneira de drenagem equipada com uma ligação de mangueira.

! Nota! No caso de temperaturas baixas, lembre-se de esvaziar o sistema para evitar congelamento.

11. ELIMINAÇÃO

No fim da vida útil, as bombas de calor têm de ser eliminadas em conformidade com os regulamentos em vigor.



ATENÇÃO! Este equipamento contém gases fluorados de efeito de estufa que estão incluídos no Protocolo de Quioto. As operações de manutenção e eliminação só podem ser executadas por pessoal qualificado.

INFORMAÇÃO PARA OS UTILIZADORES



Este produto está em conformidade com as diretivas 2011/65/UE e 2012/19/UE relativas à restrição da utilização de substâncias perigosas em equipamento elétrico e eletrónico e à eliminação de resíduos.

O símbolo de caixote com uma cruz no equipamento ou na respetiva embalagem indica que, no fim da sua vida útil, o produto deve ser recolhido separadamente de outros resíduos.

Como tal, no fim da sua vida útil, o utilizador deve entregar o equipamento nos centros de reciclagem adequados para equipamento elétrico e eletrónico ou devolvê-lo ao revendedor quando adquirir equipamento novo, de tipo equivalente, numa base individual.

A recolha adequada de separação de resíduos para envio subsequente do equipamento desativado para reciclagem compatível com o meio ambiente, tratamento e/ou eliminação ajuda a evitar efeitos negativos no meio ambiente e na saúde e favorece a reutilização e/ou reciclagem de materiais que compõem o equipamento.

A eliminação não autorizada do produto por parte do utilizador envolve a aplicação das sanções administrativas fornecidas pela legislação corrente.

Os materiais principais que compõem o equipamento em causa são:

- aço
- magnésio
- plástico
- cobre
- alumínio
- poliuretano

12. FICHA DO PRODUTO

Descrições	u.m.	EKHHE200CV37	EKHHE260CV37	EKHHE200PCV37	EKHHE260PCV37
Perfil de carga declarado	-	L	XL	L	XL
Definições da temperatura do termostato do aquecedor de água	°C	55	55	55	55
Classe de eficiência energética de aquecimento de água ⁽¹⁾	-	A+	A+	A+	A+
Eficiência energética de aquecimento de água - η_{wh} ⁽¹⁾	%	135	138	135	138
COP _{AGS} ⁽¹⁾	-	3,23	3,37	3,23	3,37
Consumo anual de eletricidade - AEC ⁽¹⁾	kWh	761	1210	761	1210
Eficiência energética de aquecimento de água - η_{wh} ⁽²⁾	%	106	112	106	112
COP _{AGS} ⁽²⁾	-	2,55	2,73	2,55	2,73
Consumo anual de eletricidade - AEC ⁽²⁾	kWh	944	1496	944	1496
Eficiência energética de aquecimento de água - η_{wh} ⁽³⁾	%	162	160	162	160
COP _{AGS} ⁽³⁾	-	3,89	3,9	3,89	3,9
Consumo anual de eletricidade - AEC ⁽³⁾	kWh	631	1046	631	1046
Nível de potência sonora interior ⁽⁴⁾	dB (A)	53	51	53	51
Nível de potência sonora exterior ⁽⁴⁾	dB (A)	45	44	45	44
O aquecedor de água pode funcionar apenas durante as horas fora dos picos de consumo	-	NÃO	NÃO	NÃO	NÃO
Quaisquer precauções específicas que devem ser tomadas quando o aquecedor de água é montado, instalado ou mantido	-	Consultar o manual			

(1): Dados de acordo com a norma EN 16147: 2017 para clima MÉDIO (unidade no modo ECO; água de entrada = 10°C; temp. do ar de entrada = 7°C DB / 6°C WB)

(2): Dados de acordo com a norma EN 16147: 2017 para clima FRIO (unidade no modo ECO; água de entrada = 10°C; temp. do ar de entrada = 2°C DB / 1°C WB)

(3): Dados de acordo com a norma EN 16147: 2017 para clima QUENTE (unidade no modo ECO; água de entrada = 10°C; temp. do ar de entrada = 14°C DB / 13°C WB)

(4): Dados de acordo com a norma EN 12102-2: 2019 no modo ECO com temp. do ar de entrada = 7°C DB / 6°C WB

1. ALLMÄNNA SÄKERHETSFORESKRIFTER	2
2. INLEDNING	6
2.1 Produkter	6
2.2 Friskrivning	6
2.3 Språk	6
2.4 Copyright	7
2.5 Tillgängliga versioner och konfigurationer	7
3. HANTERING OCH TRANSPORT	7
3.1 Mottagande	7
4. KONSTRUKTIONSEGENSKAPER.....	9
4.1 Måttdata.....	10
4.2 Tekniska egenskaper.....	11
5. VIKTIG INFORMATION	12
5.1 Överensstämmelse med EU-förordningar	12
5.2 Kapslingsklass	12
5.3 Driftsbegränsningar	12
5.4 Driftsbegränsningar	12
5.5 Grundläggande säkerhetsregler	13
5.6 Information om köldmedium som används	13
6. INSTALLATION OCH ANSLUTNINGAR	13
6.1 Förberedelse av installationsplats	13
6.2 Fastsättning i golvet.....	14
6.3 Luftanslutningar	14
6.4 Fastsättning och anslutning av apparaten	16
6.5 Hydrauliska anslutningar	16
6.6 Integration med solvärmesystem (<i>endast för modellerna EKHHE200PCV37 och EKHHE260PCV37</i>).....	17
6.7 Elektriska anslutningar	18
6.8 Kopplingsschema	20
7. BESKRIVNING AV ANVÄNDARGRÄNSSNITT OCH ANVÄNDNING AV UTRUSTNINGEN	21
7.1 Slå på och slå av vattnet och låsa upp knapparna	22
7.2 Ställa in klockan.....	22
7.3 Inställning av tidsband	22
7.4 Ställa in börvärde för varmvatten.....	22
7.5 Driftläge	23
7.6 Ytterligare funktioner.....	23
7.7 Fel/skydd	25
8. DRIFTSÄTTNING.....	26
8.1 Förfrågan, redigering av driftparametrar.....	26
9. FELSÖKNING	30
9.1 Byte av strömkretskortets säkring.....	31
9.2 Återställning av värmeelementets överhettningsskydd	31
10. UNDERHÅLL.....	32
10.1 Kontroll/byte av offeranod.....	32
10.2 Panntömning	32
11. KASSERING.....	33
12. PRODUKTBLAD	33

1. ALLMÄNNA SÄKERHETSFÖRESKRIFTER

FÖRSIKTIGHET:

- Denna bruksanvisning är en viktig del av produkten. Se till att den förvaras på en säker plats tillsammans med apparaten och lämna över den till nästa användare/ägare om produkten säljs vidare.
- Dessa instruktioner går även att få från tillverkarens kundservice och på deras hemsida: www.daikin.eu
- Läs instruktionerna och varningarna i denna bruksanvisning noggrant, de innehåller viktig information om säker installation, användning och underhåll.

SÄKERHETSVARNINGAR

Apparaten får inte användas på annat sätt än vad den är avsedd för. Tillverkaren ansvarar inte för skador som uppstår på grund av felaktig användning eller underlåtenhet att följa instruktionerna i denna bruksanvisning.

Apparaten är inte avsedd att användas av personer (inklusive barn) med nedsatt fysisk, sensorisk eller mental förmåga, eller personer som saknar erfarenhet av eller kunskap om apparaten, såvida de inte övervakas eller har fått instruktioner om hur de använder apparaten av en person som ansvarar för deras säkerhet.

Barn måste övervakas för att se till att de inte leker med apparaten.

Apparaten får användas av barn som är åtta år eller äldre, och personer med nedsatt fysisk, sensorisk eller mental förmåga eller personer som saknar erfarenhet av eller kunskap om apparaten, om de övervakas eller har fått instruktioner om hur de använder apparaten och de känner till alla risker.

Barn får inte leka med apparaten.

Vatten som värms upp till över 50°C kan orsaka allvarliga brännskador om det matas direkt till kranarna. Barn, funktionshindrade personer och äldre löper extra stor risk. Det rekommenderas att man installerar en termostatventil på vattentillförselledningen.

Barn får inte utföra rengöring eller underhåll av apparaten utan tillsyn.

Vidrör inte apparaten när du är barfota eller om någon del av din kropp är blöt.

Lämna inte brandfarliga material i kontakt med eller i närheten av apparaten.

Apparaten måste tömmas om den ska tas ur drift i ett område där det blir minusgrader. Töm den enligt beskrivningen i lämpligt kapitel.

FÖRSIKTIGHET VID INSTALLATION

Apparaten måste installeras och driftsättas av en kvalificerad tekniker enligt lokal lagstiftning och gällande hälso- och säkerhetsförordningar. Alla strömkretsar måste stängas av innan du öppnar kopplingsplinten.

Felaktig installation kan leda till skador på egendom, människor och djur. Tillverkaren ansvarar inte för följderna vid felaktig installation.

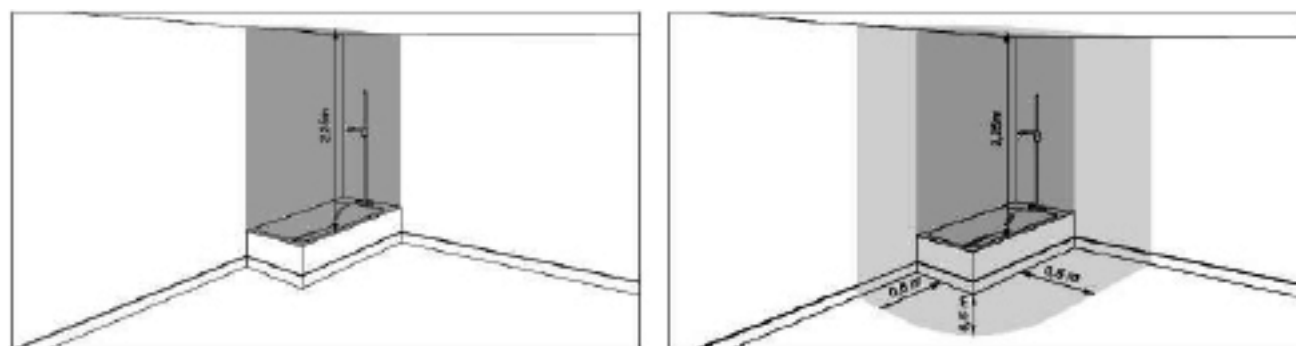
Den här produkten är tung och den måste hanteras försiktigt och installeras i ett rum där det aldrig blir minusgrader.

Säkerställ att golvet klarar apparatens vikt när den är fylld med vatten.

Om apparaten förstörs på grund av övertryck som beror på att säkerhetsanordningen blockeras blir garantin ogiltig.

VARNINGAR VID INSTALLATION

Om produkten installeras i ett badrum ska man inte använda det "förbjudna området" och åtminstone respektera det "skyddade området" som visas nedan:



Förbjudet område

Skyddad område

Produkten måste placeras på en plats där den är tillgänglig.

Varmvattenberedaren måste göras fast i marken med hjälp av det medföljande fästet. Lim anses inte vara en tillförlitlig fästmetod.

Produkten är avsedd att användas på som högst 2000 m.

Se beskrivningen och bilderna i avsnitt 6.1, 6.2 och 6.4.

VARNINGAR GÄLLANDE LUFTANSLUTNINGAR

Samtidig användning av en eldstad med öppen rökgång (t.ex. en öppen kamin) tillsammans med värmepumpen medför ett farligt tryckfall i rummet. Tryckfallet kan leda till avgaser leds tillbaka in i rummet. Använd inte värmepumpen tillsammans med en eldstad med öppen rökgång. Använd endast eldstäder med sluten rökgång (godkänd) med separat tillförsel av förbränningsluft. Förslut dörrar till pannrum som inte har samma tillförsel av förbränningsluft som resten av bostaden.

Ett lämpligt skyddsgaller måste monteras både vid luftintaget och luftutloppet för att förhindra att främmande föremål hamnar i utrustningen.

Se beskrivningen och bilderna i "Luftanslutningar" i avsnitt 6.3.

VARNINGAR GÄLLANDE HYDRAULIKANSLUTNINGAR

Det är obligatoriskt att montera en lämplig enhet mot övertryck (medföljer inte) på apparatens vatteninloppsrör. I länder som omfattas av EN 1487 måste apparatens vatteninloppsrör vara utrustat med en skyddsanordning som uppfyller denna standard.

Den måste vara ny, med måtten 3/4" och vara kalibrerad till ett maximalt tryck på 0,7 MPa, inklusive minst en kran, en backventil, en säkerhetsventil och en hydraulisk avstängning.

Det är förbjudet att mixtra med denna säkerhetsanordning och den måste användas regelbundet för att kontrollera att den inte är blockerad och för att avlägsna eventuella kalkavlagringar.

Vattnet kan droppa från utloppsröret på övertrycksenhetsen och röret måste lämnas öppet ut mot atmosfären. Utloppsröret som är anslutet till en säkerhetsventil måste installeras i en kontinuerligt sluttande riktning och i en frostfri miljö.

En tryckreglerventil (medföljer ej) krävs när inloppets vattentryck är högre än 0,7 MPa (7 bar), vilket måste anslutas till vattenledningsnätet.

Minsta inloppsvattentrycket för att apparaten ska fungera korrekt är 0,15 MPa (1,5 bar).

Anslut ett gummirör till kondensdräneringen utan att använda för mycket kraft så att inte dräneringsröret går sönder, se avsnitt "6.6.1".

Använd endast anslutande rör (medföljer ej), som är styva och resistent mot elektrolys både vid inloppet av kallvatten och vid utloppet av varmvatten från enheten.

För modeller utrustade med en värmeväxlare (solvärmespole) får trycket i kretsen inte överstiga 1,0 MPa (10 bar) och dess temperatur får inte överstiga 80°C.

Se beskrivningen och bilderna i "Hydraulikanslutningar" avsnitt 6.6 och "Integration med solvärmesystem" avsnitt 6.7.

VARNINGAR GÄLLANDE ELEKTRISKA ANSLUTNINGAR

Apparaten ska installeras i enlighet med nationella installationsbestämmelser.

Den elektriska installationen måste innefatta en anordning som kopplar bort alla poler med en separation av kontakterna på alla poler kapabel att garantera frångkoppling av överspänningskategori III uppströms i apparaten, i enlighet med gällande lokala installationsregler.

Enheten måste skyddas av en lämplig differentialbrytare (max 30 mA). Typen av differentialbrytare ska väljas genom att utvärdera den typ av elektriska apparater som används av systemet som helhet.

Jordanslutning är obligatorisk. Apparattillverkare får inte hållas ansvarigt för eventuell skada som orsakas av fel på jordningen av systemet eller på grund av avvikelser i strömförsörjningen.

Det är strikt förbjudet att ansluta apparaten till nätströmmen via förlängningskablar eller ett grenuttag.

Innan du tar bort höljet ska du se till att strömmen är avstängd för att förhindra skador eller elstötar.

Se beskrivningarna och bilderna i "Elektriska anslutningar" avsnitt 6.8 och "Kopplingschema" avsnitt 6.9.

VARNINGAR GÄLLANDE SERVICE - UNDERHÅLL - FELSÖKNING

Alla reparationer, underhållsarbeten, rördragningar och elektriska anslutningar får endast utföras av kvalificerade tekniker med hjälp av originalreservdelar. Om dessa instruktioner inte följs kan det äventyra apparatens säkerhet och frigöra tillverkaren från allt ansvar.

För att tömma apparaten: stäng av strömmen och kallvattnet, öppna varmvattenkranarna och använd sedan dräneringsventilen på säkerhetsanordningen.

Övertrycksventilen måste användas regelbundet för att avlägsna kalkavlagringar och för att se till att den inte är blockerad.

Apparaten är utrustad med en strömsladd som om den går sönder måste bytas ut av tillverkaren, ett serviceombud eller andra kvalificerade personer för att undvika faror.

Apparaten har en miniatyr säkringslänk med tidsfördröjning som om den går sönder måste bytas ut mot en säkring av modell "T5AL250V" enligt IEC 60127.

Se beskrivningen och bilderna i kapitel 9 "FELSÖKNING" respektive kapitel 10 "UNDERHÅLL".

2. INLEDNING




Den här installations- och underhållshandboken är en viktig del av värmepumpen (nedan kallad utrustningen).

Handboken måste sparas för framtida bruk tills värmepumpen monteras ned. Den är avsedd för den specialiserade installatören (installatörer – underhållstekniker) och för slutanvändaren. I handboken beskrivs de installationsförfaranden som ska följas för korrekt och säker drift av utrustningen, samt metoder för användning och underhåll.

Vid försäljning eller överlåtelse till en annan användare måste handboken följa med enheten.

Före installation och/eller användning av utrustningen ska du läsa handboken noggrant, i synnerhet kapitel 5 som handlar om säkerhet.

Handboken måste förvaras med enheten och alltid vara tillgänglig för kvalificerad installations- och underhållspersonal. Följande symboler används i handboken för att markera den viktigaste informationen:

	Försiktigt
	Procedurer att följa
	Information/förslag

2.1 Produkter

Kära kund.

Tack för att du valde att köpa den här produkten.

Vårt företag tänker alltid på miljön och använder teknik och material som har låg miljöpåverkan för våra produkter, i enlighet EU:s WEEE-standarder (2012/19/EU – RoHS 2011/65/EU).

2.2 Friskrivning

Vi har noggrant kontrollerat att dessa instruktioner stämmer överens med utrustningens maskinvara och programvara. Trots det kan det förekomma avvikelser, och vi tar inget ansvar för total överensstämmelse.

För att skapa tekniska förbättringar förbehåller vi oss rätten att göra ändringar av konstruktionen eller tekniska data när som helst. Eventuella anspråk som baseras på indikationer, bilder, ritningar eller beskrivningar undantas därför. De omfattas av möjliga fel.

Konstruktören fransäger sig allt ansvar för skador som beror på felaktiga kommandon, felaktig eller olämplig användning eller ej auktoriserade reparationer eller modifikationer.

2.3 Språk

Manualen skrevs på italienska (IT), tillverkarens originalspråk. Eventuella översättningar till ytterligare språk måste göras från originalinstruktionerna.

Tillverkaren hålls ansvarig för informationen i originalinstruktionerna. Översättningar till andra språk kan inte verifieras helt, så det är därför nödvändigt att följa texten på originalspråket eller kontakta vår avdelning för teknisk dokumentation om en felaktighet hittas.

2.4 Copyright

Dessa instruktioner innehåller upphovsrättsskyddad information. Ingen del av dessa instruktioner får kopieras, översättas eller sparas på lagringsmedium utan tillstånd från leverantören. Vid eventuella överträdelse utgår skadestånd. Alla rättigheter förbehålls, inklusive rättigheter som härleds från beviljande av patent eller registrering av bruksmodeller.

2.5 Tillgängliga versioner och konfigurationer

Apparaten innehåller en värmepumpenhet på 1,9 kW och kan konfigureras på olika sätt beroende på möjlig integration med ytterligare värmekällor (t.ex. solvärme) eller beroende på pannkapacitet.

Version	Konfigurationsbeskrivning
EKHHE200CV37 EKHHE260CV37	Luftvärmepump för produktion av varmvatten
EKHHE200PCV37 EKHHE260PCV37	Luftvärmepump för produktion av varmvatten förberedd för solvärmesystemet.

3. HANTERING OCH TRANSPORT

Utrustningen levereras i en kartong(*).

Den är fastsatt på en lastpall med tre skruvar.

Vid avlastning ska en gaffeltryck eller lämplig pallyftare användas.

Den förpackade utrustningen kan placeras horisontellt för att underlätta borttagning av förankringsskruvarna.

Uppackningen måste utföras försiktigt så att utrustningshöljat inte skadas om du använder knivar eller andra skärverktyg för att öppna kartongen.

Efter att ha tagit bort förpackningen ska du kontrollera att enheten är hel. Om du är tveksam ska du inte använda enheten och kontakta auktoriserad teknisk personal.

Innan du kastar förpackningen enligt tillämpliga miljöskyddsregler ska du se till att du har plockat ut alla tillbehör.

(*) Obs! Vilken typ av förpackning som används kan variera beroende på tillverkarens preferenser.

Under hela tidsperioden som utrustningen förblir överksam i väntan på driftsättning rekommenderas det att man skyddar den mot atmosfärisk påverkan

3.1 Mottagande

Utöver enheterna innehåller förpackningarna tillbehör och teknisk dokumentation gällande användning och installation. Kontrollera att följande är med:

- 1 st. användar-, installations- och underhållshandbok.
- 3 st. fästen plus skruvar.
- 1 st. termiskt skydd (endast för EKHHE200PCV3 och EKHHE260PCV3).

Under hela tidsperioden som utrustningen förblir överksam i väntan på driftsättning rekommenderas det att man skyddar den mot atmosfärisk påverkan.

Positioner tillåtna för transport och hantering

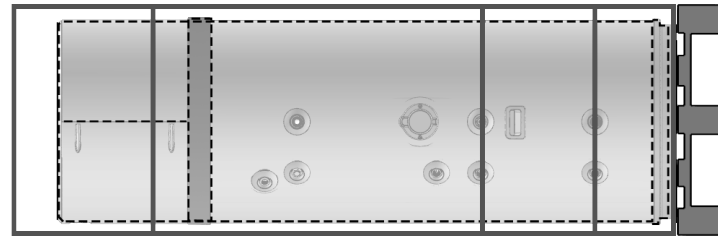


fig. 1

! OBS! Under hanterings- och installationsfaserna får den övre delen inte belastas på något sätt, eftersom den inte är bärande.

! OBS! Horisontell transport är endast tillåten den sista kilometern om det sker enligt instruktionerna (se "Positioner ej tillåtna för transport och hantering") och om man ser till att stöden är placerade på pannans botten så att den övre delen inte belastas, eftersom den är bärande. Under horisontell transport måste displayen vara vänd uppåt.

Position tillåten endast för den sista kilometern



Positioner ej tillåtna för transport och hantering

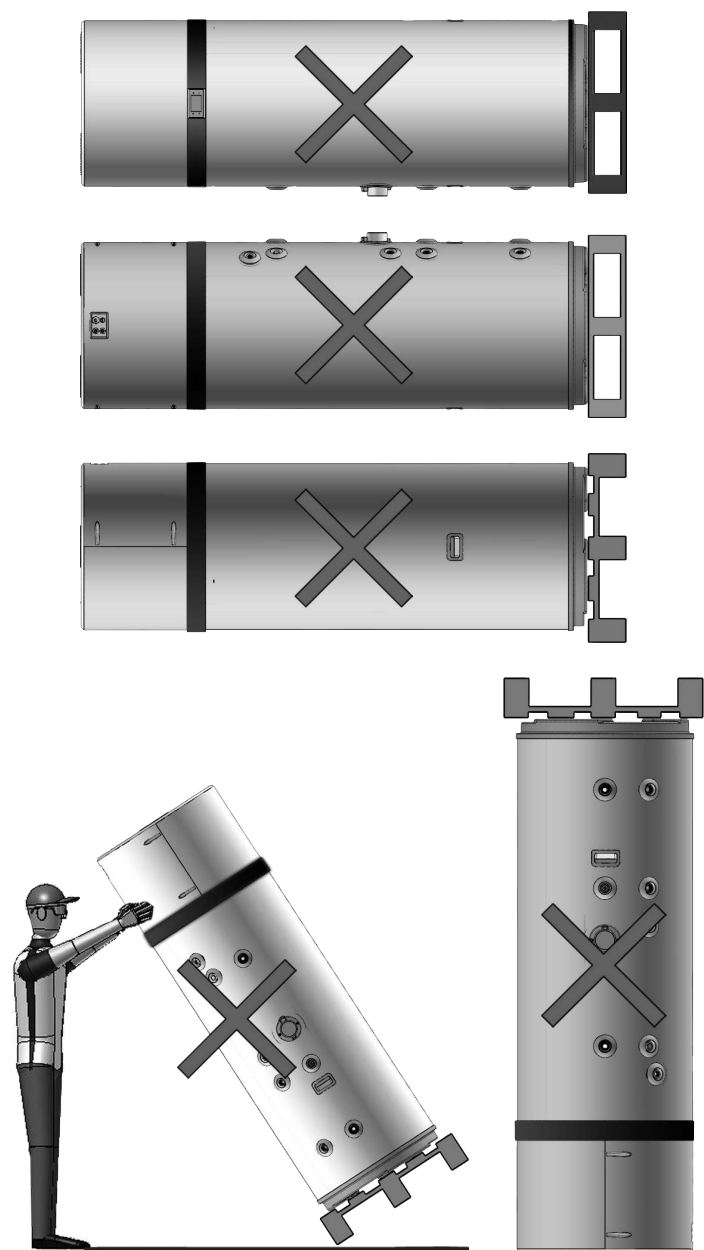


fig. 2

4. KONSTRUKTIONSEGENSKAPER

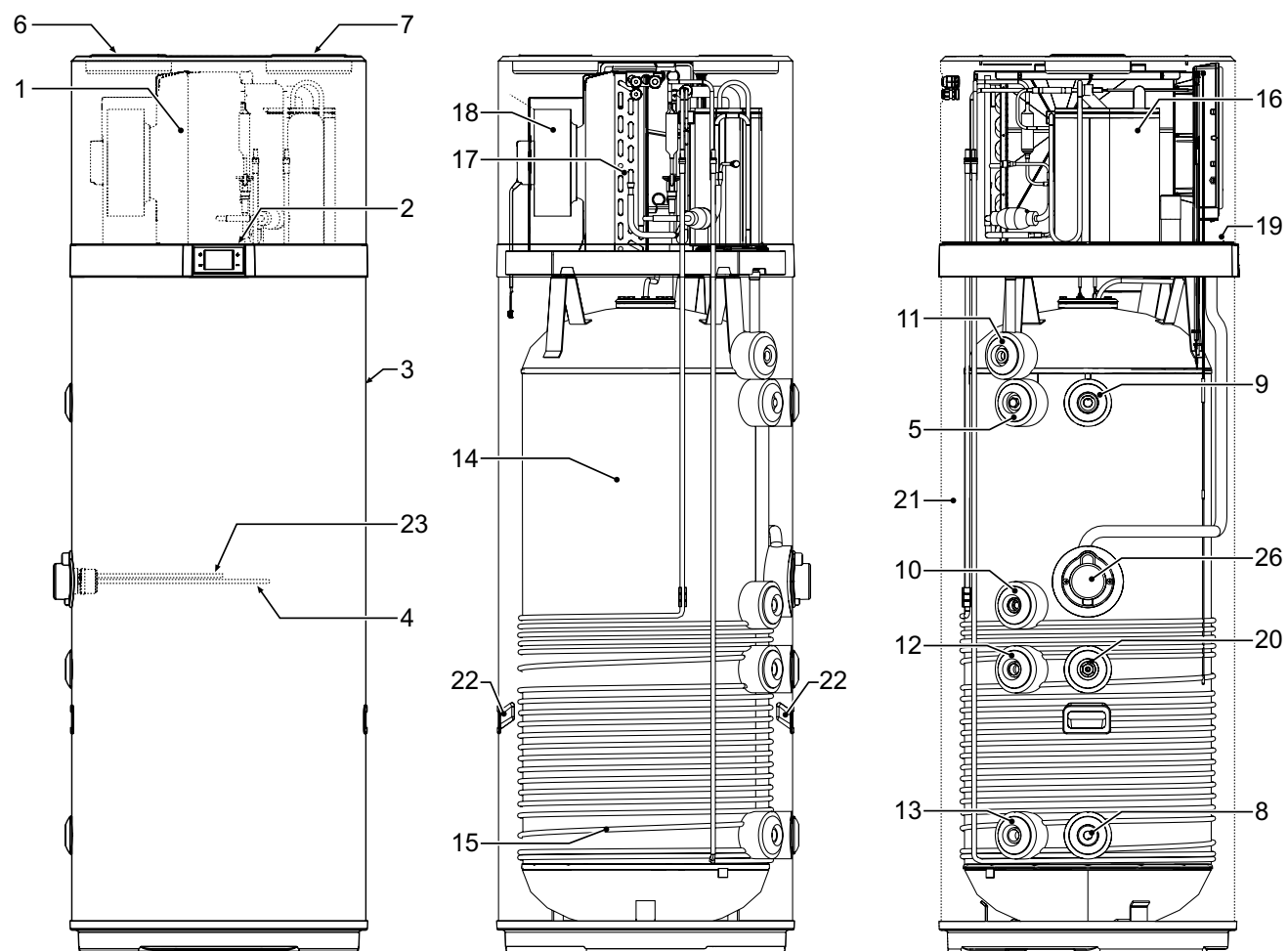
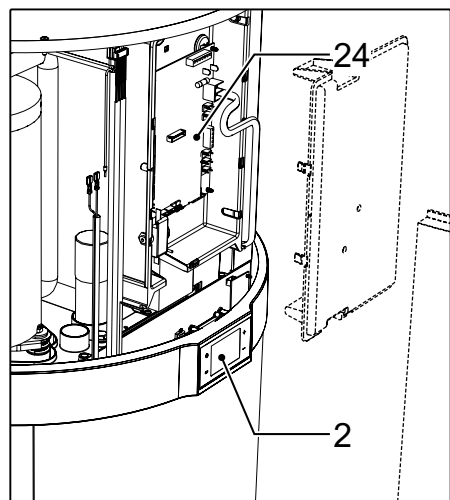


fig. 3



- 1 Värmepump
- 2 Användargränssnitt
- 3 Stålhölje
- 4 Värmeelement
- 5 Magnesiumanod
- 6 Ventilationsluftintag (Ø160 mm)
- 7 Ventilationsluftutlopp (Ø160 mm)
- 8 Anslutning för kallvatteninlopp
- 9 Anslutning för varmvattenutlopp

- 10 Förberedelse för återcirkulation
- 11 Kondensatventil
- 12 Förberedelse för solvärmepolens inlopp
*Endast för modeller EKHHE200PCV37
EKHHE260PCV37*
- 13 Förberedelse för solvärmepolens utlopp
*Endast för modeller EKHHE200PCV37
EKHHE260PCV37*
- 14 Ståltank med vit emaljbeläggning enligt DIN 4753-3
- 15 Kondensator
- 16 Roterande kompressor
- 17 Fenbeklädd förångare
- 18 Elektronisk fläkt
- 19 Pannsonder
- 20 Sondhållare för solvärme - *Endast för modeller
EKHHE200PCV37
EKHHE260PCV37*
- 21 Polyuretanisolering
- 22 Bärhandtag
- 23 Rör för överhettningsskyddets blåsa
- 24 Strömkrets-kort
- 26 Fack för åtkomst till värmelement och överhettningsskyddets blåsa

4.1 Måttdata

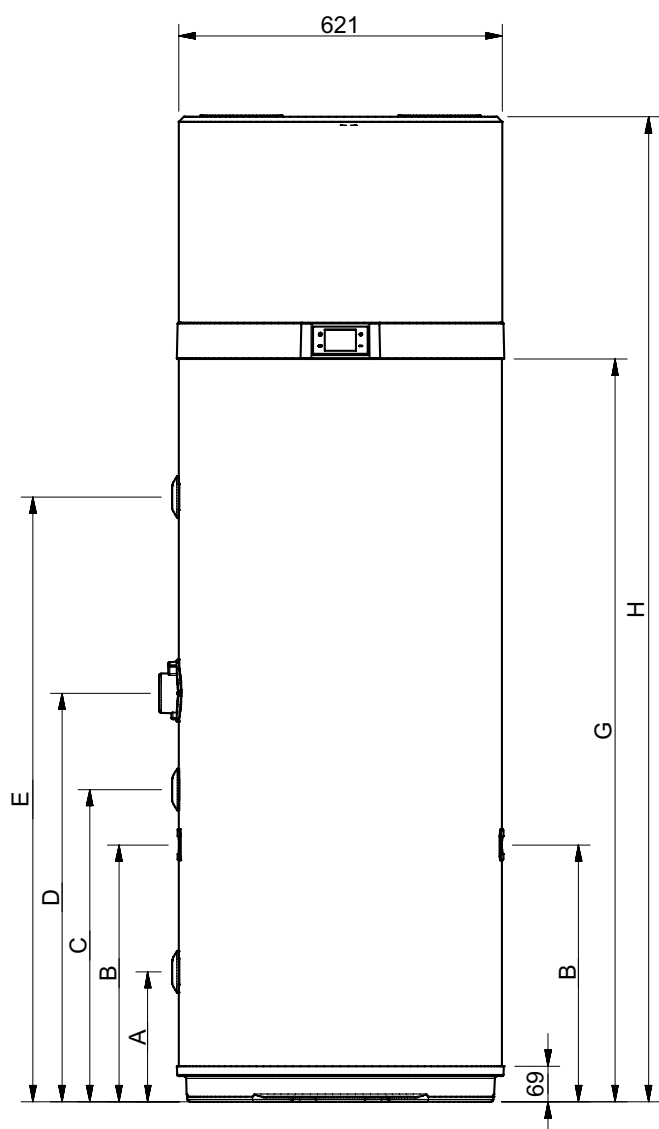


fig. 4

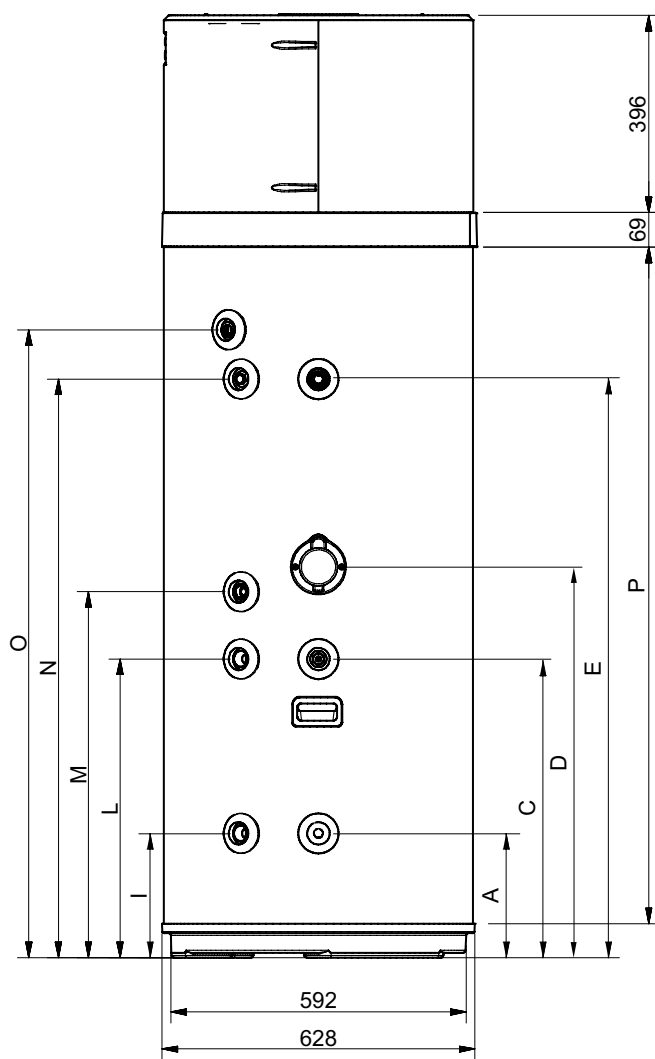


fig. 5

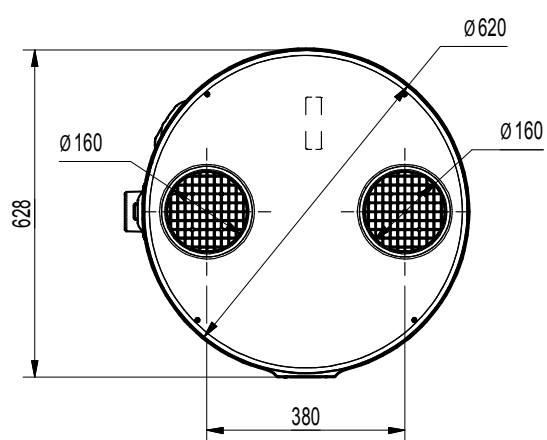


fig. 6

MODELL	Ø	EKHHE200PCV37	EKHHE260PCV37	EKHHE200CV37	EKHHE260CV37	UM
A	1"G	250	250	250	250	mm
B	-	490	493	/	/	mm
C	1/2"G	600	600	600	600	mm
D	-	705	785	705	785	mm
E	1"G	876,5	1162	876,5	1162	mm
G	-	1142	1427	1142	1427	mm
H	-	1607	1892	1607	1892	mm
I	3/4"G	250	250	/	/	mm
L	3/4"G	599	600	/	/	mm
M	3/4"G	705	735	705	735	mm
N	3/4"G	877	1162	877	1162	mm
O*	1/2"G	976	1261	976	1261	mm
P	-	1073	1358	1073	1358	mm

*O - Utloppsanslutning i plast

4.2 Tekniska egenskaper

Modell	EKHHE200CV37	EKHHE260CV37	EKHHE200PCV37	EKHHE260PCV37	U.m.				
Allmänna data	Spänning				230 Vac-50 Hz	-			
	Vatteninnehåll i tanken - V _{nom}				192	250	187	247	dm ³
	Maximalt vattentryck på inlopp				0,7	0,7	0,7	0,7	MPa
	Tom vikt				85	97	96	106	kg
	Driftsvikt				277	347	283	353	kg
	Mått (φxh)				621 x 1607	621 x 1892	621 x 1607	621 x 1892	mm
	Max. varmvattentemperatur med värmepump				62	62	62	62	°C
	Max. varmvattentemperatur med ytterligare elektrisk värmare				75	75	75	75	°C
Tank	Material				Emaljerat stål		-		
	Katodiskt skydd				Mg stavanod		-		
	Isoleringstyp				Polyuretan		-		
	Isoleringens tjocklek				50	50	50	50	mm
Värmepumpens elektriska data	Genomsnittlig strömingång vid uppvärmning				430	430	430	430	W
	Maximal strömingång				530	530	530	530	W
	Maximal strömtillförsel				2,43	2,43	2,43	2,43	A
Elektriska data för elektrisk värmare	Nätspänning				230 Vac-50 Hz		-		
	Ineffekt				1500	1500	1500	1500	W
	Strömtillförsel				6,5	6,5	6,5	6,5	A
Elektriska data för värmepump + elektrisk värmare	Maximal strömingång				1960	1960	1960	1960	W
	Maximal strömtillförsel				8,5	8,5	8,5	8,5	A
Luftkrets	Fläkttyp				Centrifugtyp		-		
	Luftflödes hastighet				450	450	450	450	m ³ /h
	Tillgängligt yttre statiskt tryck				117	117	117	117	Pa
	Kanaldiameter				160	160	160	160	mm
Köldmediekretsen	Kompressor				Rotationstyp		-		
	Köldmedium				R134a		-		
	Påfyllningsvolym köldmedium				1	1	1	1	kg
	Förångare				Fenbeklädd spole i kopparaluminium		-		
	Kondensator				Aluminiumrör lindat utanför tank		-		
Solvärmespole	Material				-	-	Emaljerat stål	Emaljerat stål	-
	Yta				-	-	0,72	0,72	m ²
	Maximalt tryck				-	-	1	1	MPa
Data i enlighet med EN 16147: 2017-standardens för genomsnittliga klimutförhållanden (enhet i ECO-läge, börvärde varmvatten = 55°C; inloppsvatten = 10°C; luftintagstemperatur = 7°C DB/6°C WB)	Belastningsprofil				L	XL	L	XL	-
	Energieffektivitetsklass för vattenuppvärmning *				A+	A+	A+	A+	-
	Energieffektivitet för vattenuppvärmning - η _{wh}				135	138	135	138	%
	COP _{DHW}				3,23	3,37	3,23	3,37	-
	Maximal volym blandat vatten vid 40°C - V ₄₀				247	340	241	335	dm ³
	Referensvarmvattentemperatur - θ' _{wh}				52,5	53,2	52,5	53,2	°C
	Nominell avgiven värmeeffekt				1,339	1,249	1,339	1,249	kW
	Uppvärmningstid - t _h				06:27	09:29	06:27	09:29	tt:mm
	Årlig elförbrukning - AEC				761	1210	761	1210	kWh
* enligt EU-förordning 812/2013	Strömingång i standbyläge (P _{es})				26	28	26	28	W
Data enligt EN 12102-2: 2019, ECO-läge med luftintagstemperatur = 7°C DB/6°C WB	Ljudeffektsnivå inomhus				53	51	53	51	dB(A)
	Ljudeffektsnivå utomhus				45	44	45	44	dB(A)

5. VIKTIG INFORMATION

5.1 Överensstämmelse med EU-förordningar

Denna värmepump är en produkt avsedd för hushållsbruk i enlighet med följande EU-direktiv:

- Direktiv 2012/19/EU (WEEE)
- Direktiv 2011/65/EU om begränsning av användning av vissa farliga ämnen i elektrisk och elektronisk utrustning (RoHS)
- Direktiv 2014/30/EU elektromagnetisk kompatibilitet (EMC)
- Direktiv 2014/35/EU lågspänningsdirektivet (LVD)
- Direktiv 2009/125/EC ekodesign
- Förordning 2017/1369/EU energimärkning

5.2 Kapslingsklass

Utrustningens kapslingsklass är: IP24.

5.3 Driftsbegränsningar



FÖRBUD! Den här produkten är inte avsedd att användas i farliga miljöer (på grund av förekomsten av potentiellt explosiva atmosfärer – ATEX eller med nödvändig kapslingsklass som är högre än enheten) eller för tillämpningar som kräver säkerhetsfunktioner (feltolerans, felsäkerhet), vilket kan vara livsuppehållande system och/eller tekniker eller någon annan kontext där fel på en apparat kan leda till dödsfall eller skador på människor eller djur eller allvarliga egendoms- eller miljöskador.



OBS! Om det föreligger en risk att ett produktfel kan orsaka skador (på människor, djur eller egendom) måste ett separat fungerande övervakningssystem tillhandahållas utrustat med larmfunktioner för att utesluta sådana skador. Man måste även ordna med reservdrift!



Apparaten är inte avsedd för installation utomhus, utan i ett "slutet" utrymme där den inte utsätts för väder och vind.

5.4 Driftsbegränsningar

Produkten i fråga är avsett uteslutande för uppvärmning av varmvatten för sanitärt bruk inom de gränser som beskrivs nedan. För det måste den anslutas till hushållets vattentillförsel och strömförsörjning (se kapitel "6. INSTALLATION OCH ANSLUTNINGAR").

5.4.1 Temperaturområde

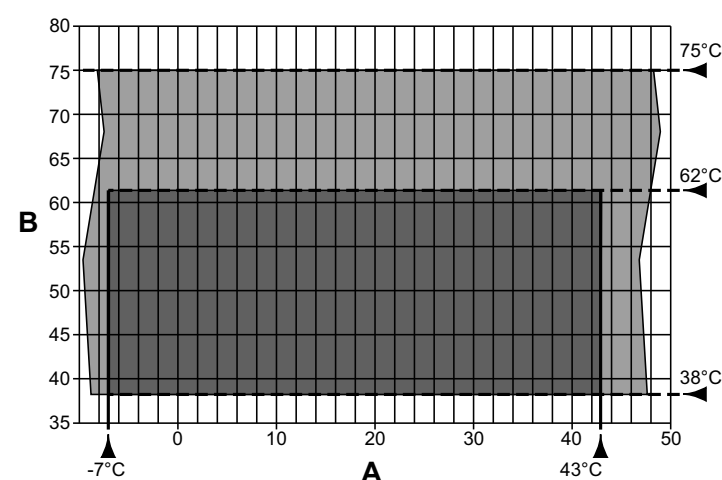


fig. 7- Diagram

A=Inloppslufttemperatur (°C)

B=Varmvattentemperatur (°C)

■ =Driftområde för värmepump (HP)

■ =Integration med uppvärmningselement endast

5.4.2 Vattenhårdhet

Enheten får inte användas med en vattenhårdhet under 12 °F. Med särskilt hårt vatten (över 25 °F) rekommenderas det däremot att man använder ett korrekt kalibrerat och övervakt avhärtningsfilter, i sådana fall får resthårdheten inte falla under 15 °F.



OBS! Under anläggningarnas design- och konstruktionsfaser måste tillämpliga lokala regler och förordningar följas.

5.5 Grundläggande säkerhetsregler

- Produkten måste användas av vuxna.
- Det är inte tillåtet att öppna eller montera isär produkten när den ansluten till nätström.
- Det är inte tillåtet att vidröra produkten om man är barfota eller med blöta eller fuktiga kroppsdelar.
- Det är inte tillåtet att hälla eller spruta vatten på produkten.
- Det är inte tillåtet att klättra upp på, sitta på och/eller ställa någon typ av föremål på produkten.

5.6 Information om köldmedium som används

Denna produkt innehåller fluorerade växthusgaser som omfattas av Kyotoavtalet. Låt inte dessa gaser komma ut i atmosfären.
Typ av köldmedium: HFC-R134a.



OBS! Underhåll och kassering får endast utföras av kvalificerad personal.

6. INSTALLATION OCH ANSLUTNINGAR

6.1 Förberedelse av installationsplats

Produkten måste installeras på en lämplig plats för att möjliggöra normal användning och justering samt rutinmässigt och extra underhåll.

Användningsplatsen måste därför förberedas enligt måtten som anges i fig. 8 och fig. 9.

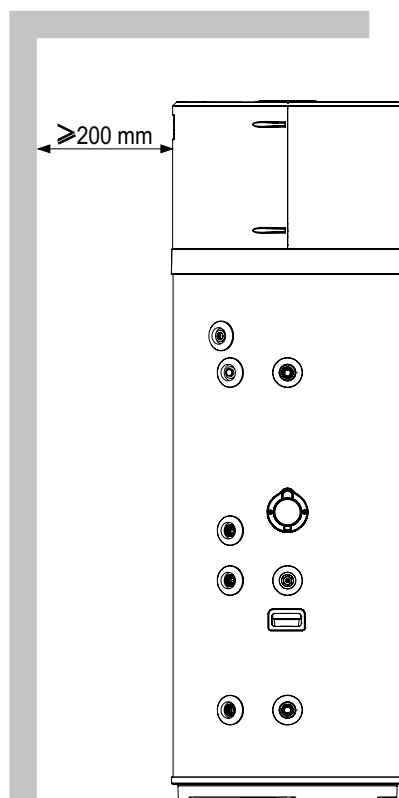


fig. 8- Minsta utrymmen

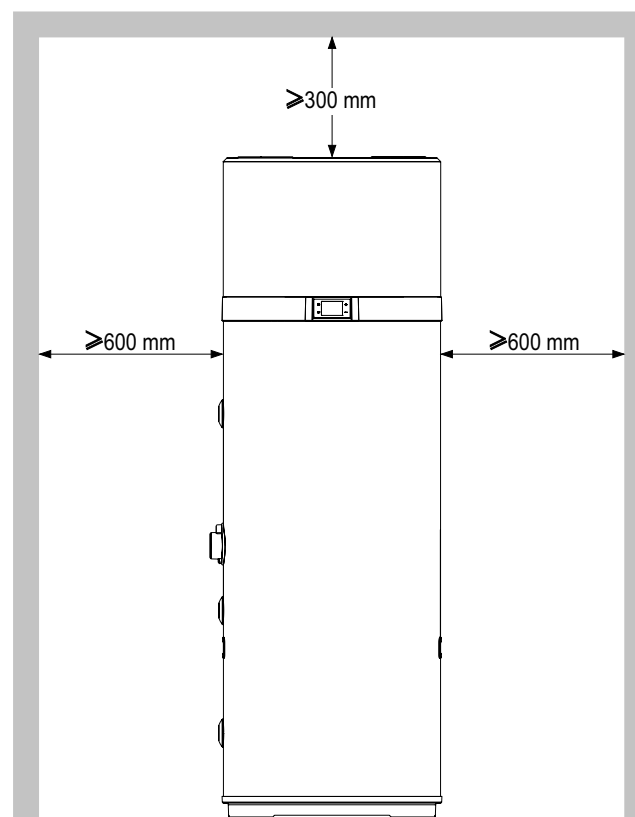


fig. 9- Minsta utrymmen

Rummet måste även vara:

- utrustat med tillräcklig tillförsel av vatten och ström
- förberett för kondensvattnets avloppsanslutning
- Förberett med tillräckliga vattentömningsrör i händelse av skador på pannan, aktiverad säkerhetsventil eller trasiga rör/anslutningar
- utrustad med isoleringssystem i händelse av allvarligt vattenläckage
- tillräckligt upplyst (när så behövs)
- inte mindre än 20 m³
- skyddat mot frost och torrt.



OBS! För att undvika fortplantning av mekaniska vibrationer ska du inte installera utrustningen på golvplattor med träbjälkar (t.ex. på vinden).

6.2 Fastsättning i golvet

Montera de medföljande konsolerna som visas på fig. 10 när produkten ska fästas i golvet.

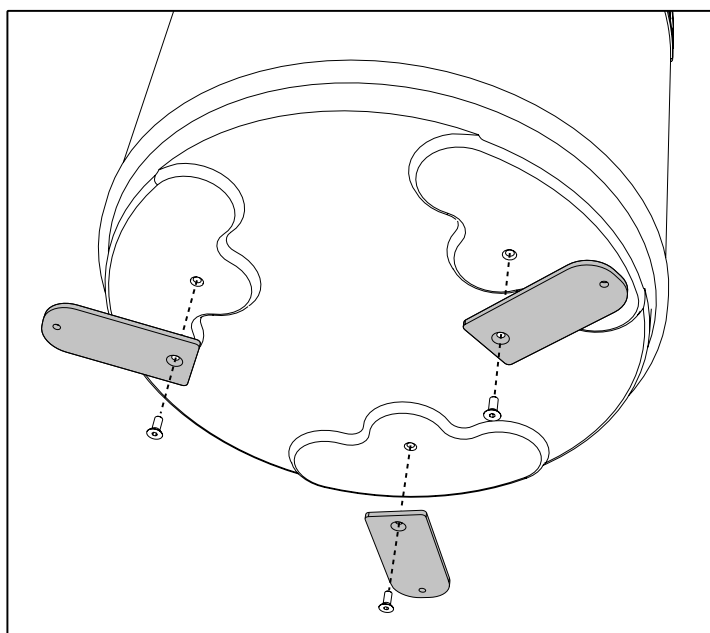


fig. 10- Infästningskonsoler

Fäst sedan enheten i golvet med hjälp av lämpliga pluggar som du skaffar själv. Se bild fig. 11.

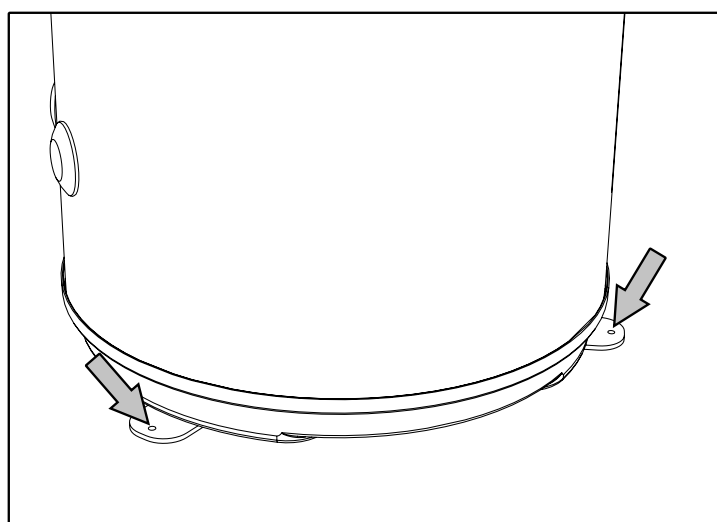


fig. 11- Fastsättning i golvet

6.3 Luftanslutningar

Utöver de utrymmen som anges i 6.1 kräver värmepumpen tillräcklig luftventilation.

Skapa en särskild luftkanal enligt beskrivningen i fig. 12.

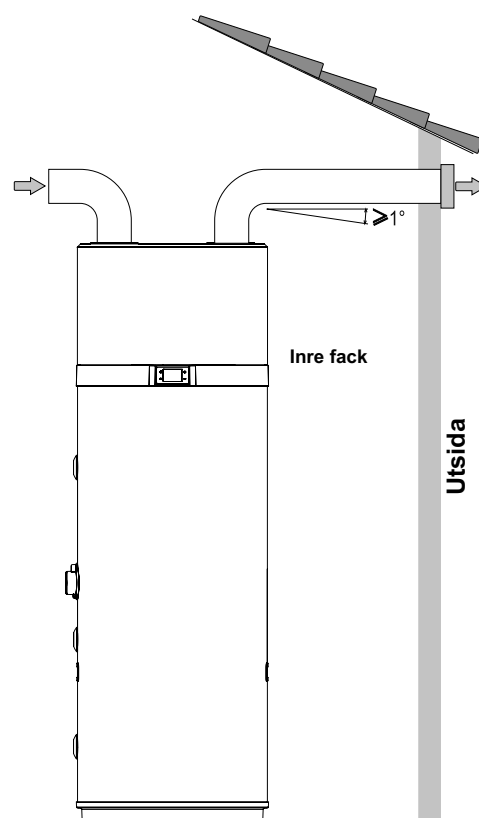


fig. 12- Exempel på luftutloppsanslutning

Det är även viktigt att säkerställa tillräcklig ventilation av rummet där enheten står. En alternativ lösning visas på bilden nedan (fig. 13): den visar en andra kanal som tar luften från utsidan i stället för direkt inifrån rummet.

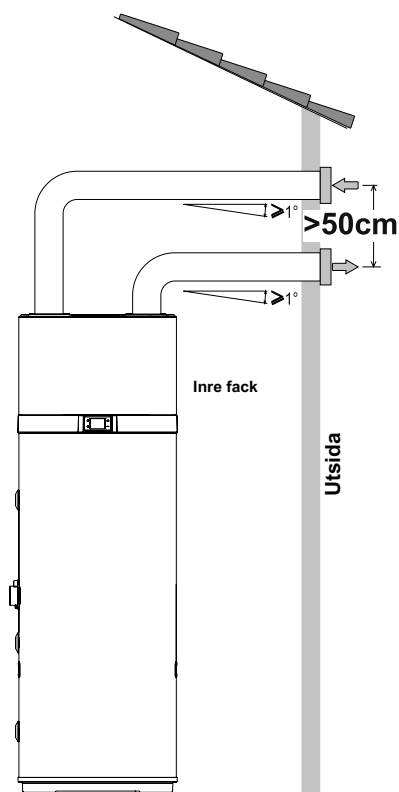


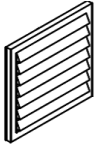


fig. 13- Exempel på luftutloppsanslutning

Installera varje luftkanal och säkerställ följande:

- Att den inte tynger ned utrustningen.
- Att den gör att underhåll går att utföra.
- Att den är tillräckligt skyddad för att undvika att material tar sig in i utrustningen.
- Anslutningen till utsidan måste göras med hållbara, oantändliga rör.
- Total motsvarande längd på förlängningsrören plus tillförsel, inklusive galler, får inte överstiga 12 m.

I tabellen anges egenskapsdata för kommersiella kanal-komponenter med hänsyn till nominella luftflöden och diametrar på 160 mm.

Data	Slätt rakt rör	Slät 90°-bøj	Galler	UM
Typ				
Effektiv längd	1	1	1	m
Motsvarande längd	1	2	2	m

i Under drift tenderar värmepumpen att sänka rumstemperaturen om luftkanalen inte leder till utsidan.

i Ett lämpligt skyddsgaller måste monteras vid luftutmatningsröret till utsidan för att förhindra att främmande föremål kommer in i utrustningen. För att säkerställa maximal produktprestanda måste galleret ge låg tryckförlust.

i För att undvika att kondensvatten bildas: isolera luftutmatningsrören och luftkanalskopplingarna med ångtät isolering av lämplig tjocklek.

i Installera ljuddämpare om det anses vara nödvändigt för att förhindra buller på grund av flödet. Installera vibrationsdämpande system på rören, väggutloppen och kopplingarna till värmepumpen.

6.3.1 Specialinstallation

En av värmepumpsystemens egenheter är det faktum att de avsevärt sänker temperaturen på luften som släpps ut inifrån huset. Förutom att luften som släpps ut är kallare än omgivningsluften är den även relativt avfuktad, och därför kan luftflödet ledas tillbaka till insidan för kylning av specifika rum eller utrymmen sommartid.

Installationen gör det möjligt att dela upp utmatningsröret, som är utrustat med två spjäll ("A" och "B") för att leda ut luftflödet utomhus (fig. 15) eller in i huset (fig. 14).

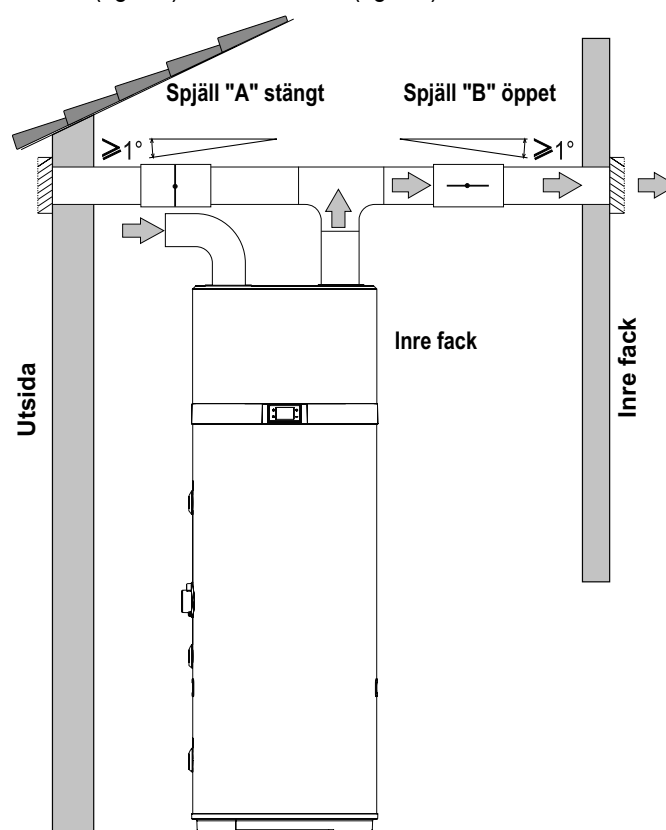


fig. 14- Exempel på installation sommartid

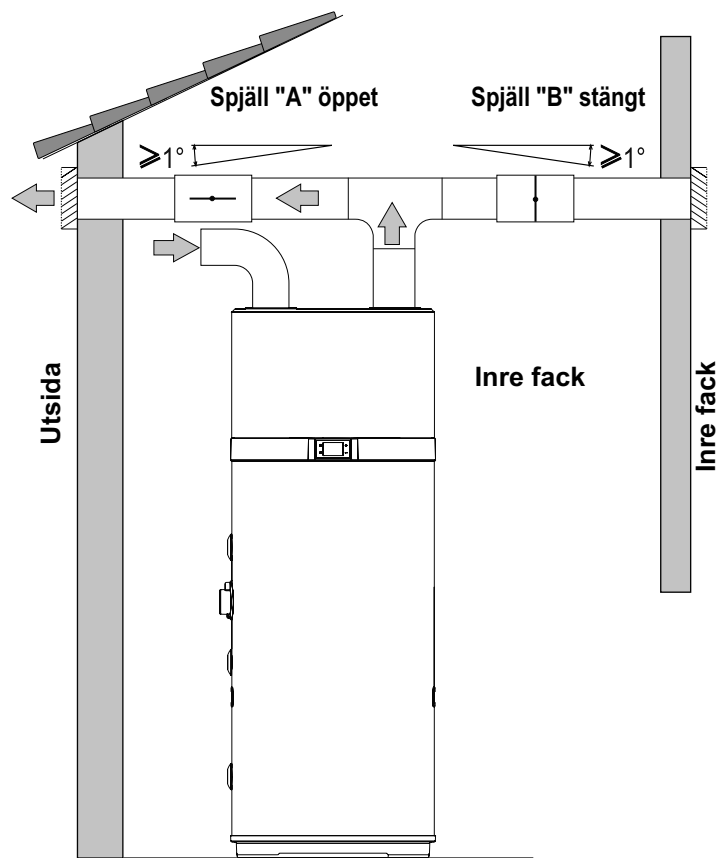


fig. 15- Exempel på installation vintertid

6.4 Fastsättning och anslutning av apparaten

Produkten måste installeras på ett stabilt, plant underlag som inte vibrerar.

6.5 Hydrauliska anslutningar

Anslut kallvattenledningen och utloppsledningen till lämpliga anslutningspunkter (fig. 16).

I tabellen nedan visas anslutningspunkternas egenskaper.

Ref.	Funktion	Modell 200 I/260 I
1	Kallvatteninlopp	1"G
2 *	Utlopp solvärmespole	3/4"G
3 *	Inlopp solvärmespole	3/4"G
4	Återcirkulation	3/4"G
5	Utlopp varmvatten	1"G
6	Kondensdränering	1/2"G
A *	Grop för solvärmesond och blåsa för termiskt skydd	1/2"G

*: endast för modellerna EKHHE200PCV37 och EKHHE260PCV37.

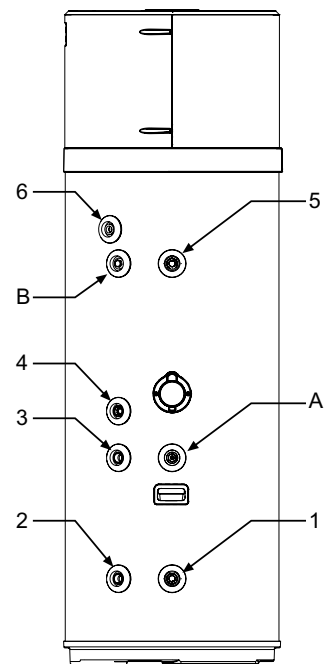


fig. 16

På följande bild (fig. 17) visas ett exempel på röranslutningar.

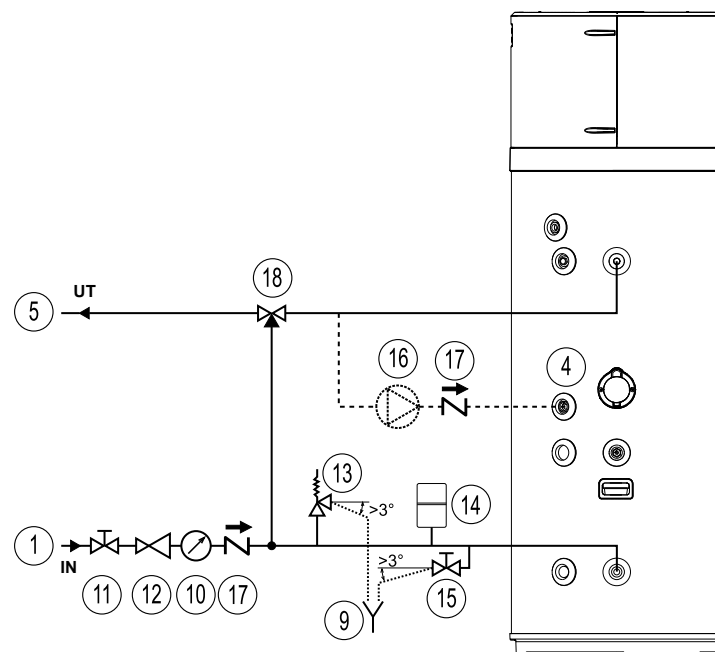


fig. 17- Exempel på vattensystem

Förklaring (fig. 17)

- | | | | |
|----|---------------------------------|----|-----------------------------------|
| 1 | Vatteninloppsrör | 12 | Tryckregulator |
| 4 | Inlopp återcirkulationsvatten | 13 | Säkerhetsventil |
| 5 | Utloppsrör varmvatten | 14 | Expansionskärl |
| 9 | Inspekterbar ände av utloppsrör | 15 | Dräneringsplugg |
| 10 | Tryckmätare | 16 | Återcirkulationspump |
| 11 | Avstängningsventil | 17 | Fjäderbackventil |
| | | 18 | Automatisk blandare med termostat |

6.5.1 Anslutning för kondensatdräneringsrör

Kondensvattnet som bildas när värmepumpen är i drift flödar via ett särskilt dräneringsrör (1/2" G) som passerar inuti isoleringshöljet och kommer ut på sidan av utrustningen. Det måste ansluta via ett vattenlås till en kanal, så att kondensvattnet kan flöda regelbundet (fig. 18).

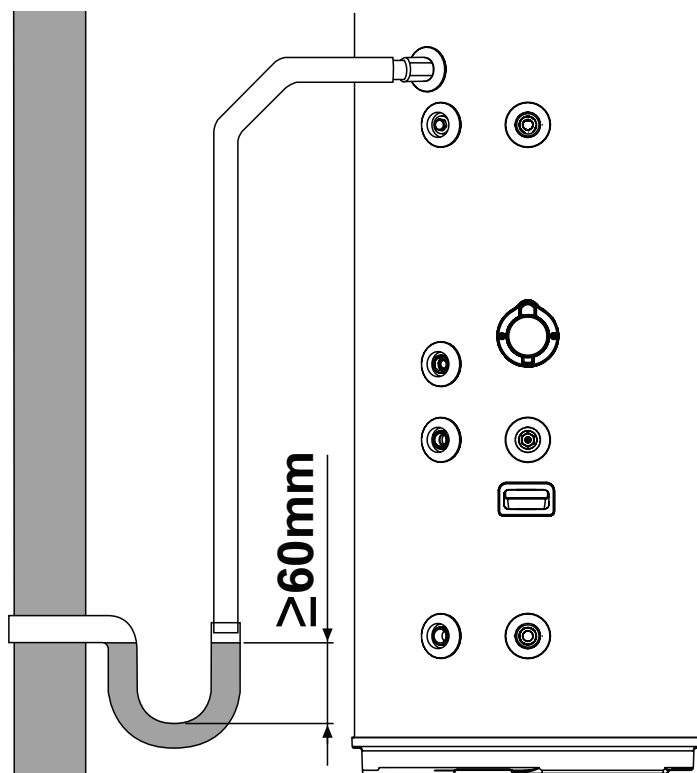


fig. 18- Exempel på kondensatdräneringsanslutning via ett lås

6.6 Integration med solvärmesystem (endast för modellerna EKHHE200PCV37 och EKHHE260PCV37)

På följande bild (fig. 19) visas hur man ansluter utrustningen till ett solvärmesystem som styrs med en särskild elektronisk styrenhet (medföljer ej) som har ett uttag av typen "spänningsfri kontakt" som ska anslutas till ingången DIG.1 på utrustningen (se "6.7.1 Fjärranslutningar").

För att använda utrustningen i den här konfigurationen måste man ställa in parametern **P16=1** (se avsnitt 8.1).

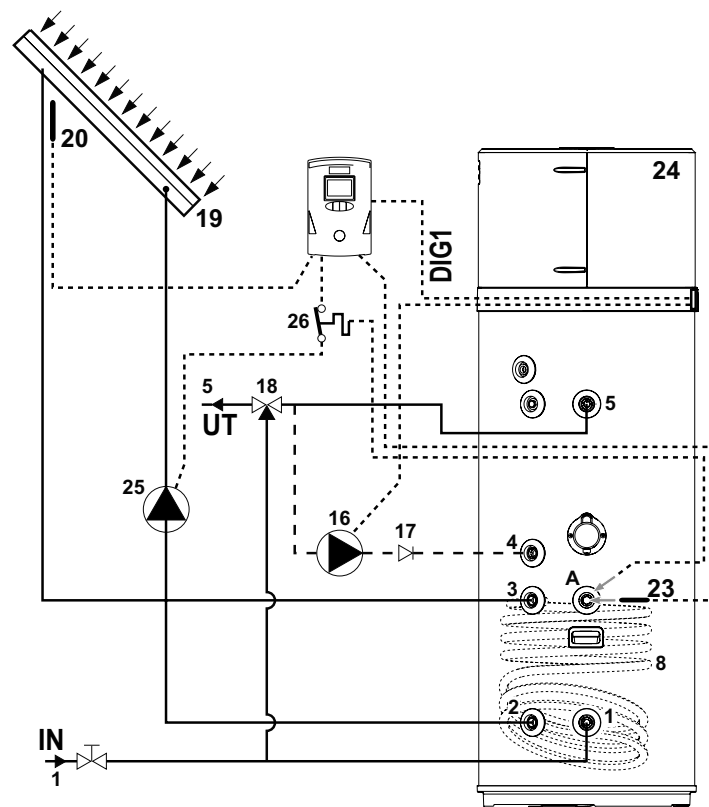


fig. 19

På följande bilder (fig. 20 och fig. 21) visas hur man ansluter utrustningen till ett solvärmesystem som styrs direkt av det senare, utan hjälp av en särskild elektronisk styrenhet.

Vid konfiguration med fig. 20, om övertemperatur uppstår i solvärmepanelen, aktiveras en dräneringsventil (medföljer ej) som tömmer ut varmvattnet i utrustningen i en förvaringstank för varmvatten.

Vid konfiguration med fig. 21 stängs däremot ventilspjället till solvärmepanelen.

I bägge fall sker detta för att låta solvärmepanelen svalna.

För att använda utrustningen i bägge dessa konfigurationen måste man ställa in parametern **P12=2** och **P16=2** (se avsnitt 8.1).

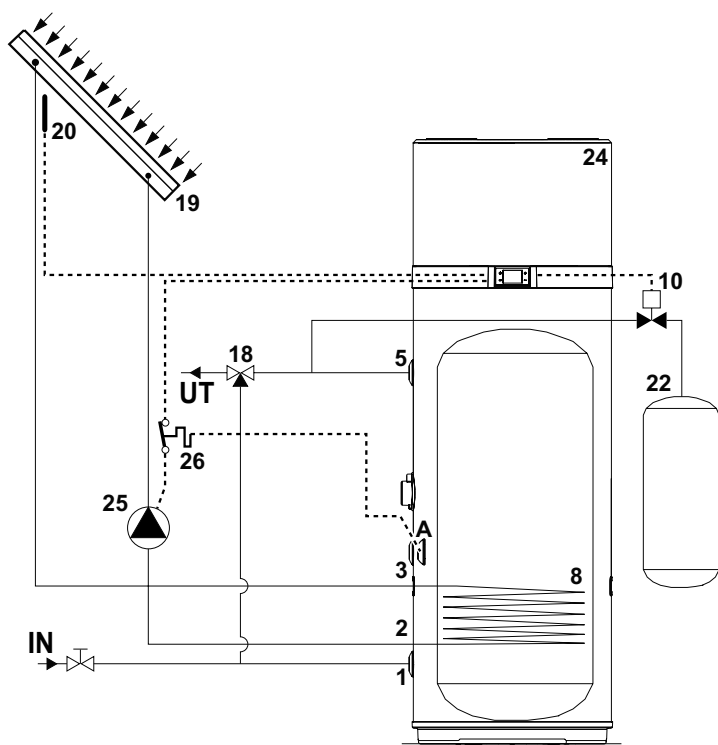


fig. 20

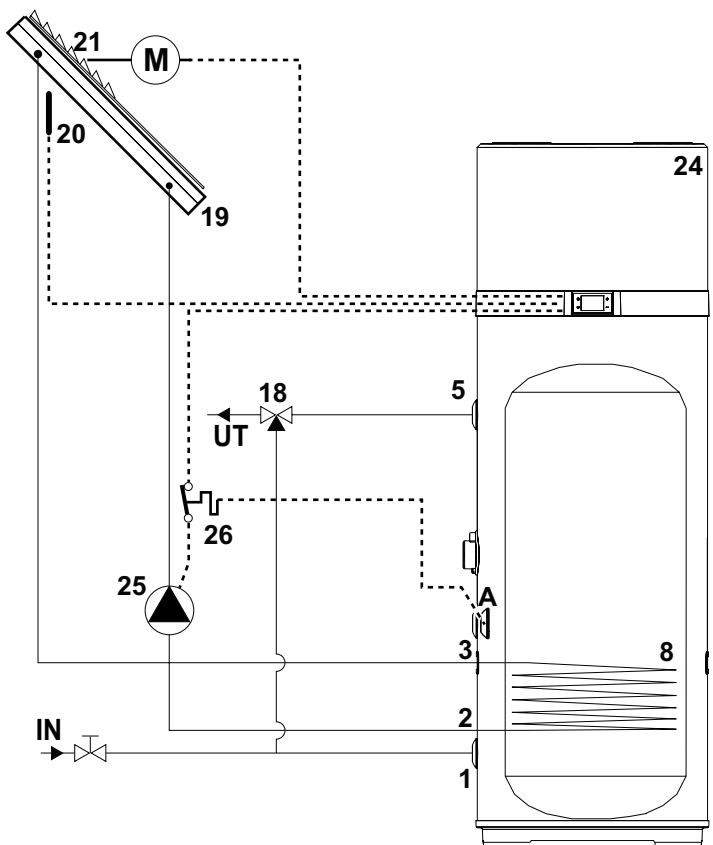


fig. 21

Förklaring (fig. 19, fig. 20 och fig. 21)

- | | |
|--------------------------------------|--|
| 1 Kallvatteninlopp | 20 Sond solvärmepanel (PT1000 medföljer ej*) |
| 2 Utlopp solvärmespole | 21 Spjällventil solvärmepanel |
| 3 Inlopp solvärmespole | 22 Varmvattenbuffert |
| 4 Återcirkulation | 23 Sond solvärmespole (medföljer ej) |
| 5 Utlopp varmvatten | 24 Värmepump |
| 8 Solvärmespole | 25 Solvärmepump (PÅ/AV-typ) |
| 10 Dräneringsventil | 26 Termiskt skydd (medföljer för solvärmepump) |
| 16 Återcirkulationspump (PÅ/AV-typ) | A Grop för solvärmesond och termiskt skydd |
| 17 Backventil | |
| 18 Automatisk blandare med termostat | |
| 19 Solvärmepanel | |

* Vi rekommenderar att man använder solvärmepanelsond PT1000 (finns på tillverkarens lista över tillbehör)

6.7 Elektriska anslutningar

Innan man ansluter apparaten till nätström måste man kontrollera elsystemet för att verifiera att det uppfyller gällande förordningar och att elsystemet klarar varmvattenberedarens maximala strömförbrukningsvärden (se avsnitt 4.2 för tekniska egenskaper), med avseende på kablarnas storlek och att de uppfyller gällande förordningar.

Apparaten får ström via en strömkabel med Schuko-kontakt (fig. 23) och för anslutning till nätström krävs följande:

- Ett jordad Schuko-vägguttag med separat skydd (fig. 22).
- En flerpölig krets brytare på 16 A med en kontaktöppning på minst 3 mm.
- En differentialkrets brytare på 30 mA.

Det är förbjudet att använda flera uttag, förlängningskablar eller adaptrar.

Det är förbjudet att använda rördragning från vatten-, värme- och gassystem för jordning av enheten.

Innan maskinen används måste du se till att nätspänningen överensstämmer med det värde som anges på apparatens märkplåt.

Apparatens tillverkare får inte hållas ansvarigt för eventuell skada som orsakas av fel på jordningen av systemet eller på grund av avvikelser i strömförsörjningen.

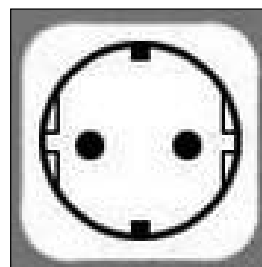


fig. 22 - Schuko-uttag

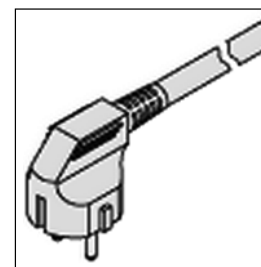


fig. 23 - Enhetskontakt

6.7.1 Fjärranslutningar

Utrustningen har utformats för att kunna anslutas till andra fjärrenergisystem eller energimätare (solvärmesystem, solcellssystem, låg tariff).

INGÅNGAR

- Digital 1 (**DIG1**). Digital ingång för solvärme (*endast för modeller PCV3*). Vid användning av ett solvärmesystem med särskild styrenhet kan den senare anslutas till utrustningen för att inaktivera värmepumpen när energi produceras från solkällan. Om man har en spänningsfri kontakt som stängs när solsystemet är aktivt kan den anslutas till de två **vita** och **bruna** ledningarna i den sexkärniga kabel som medföljer utrustningen. Ställ in parametern **P16=1** för att aktivera tillägget med solvärme.
- Digital 2 (**DIG2**). Digital ingång för solceller. Om ett solcellssystem är anslutet till anläggningen kan det användas för att subtrahera energi i form av varmvatten när överproduktion sker. Om det finns en spänningsfri kontakt, t.ex. från invertern, som stängs när det sker överproduktion av energi, kan den anslutas till de två **gröna** och **gula** ledningarna i den sexkärniga kabel som medföljer utrustningen. Ställ in parametern **P23=1** för att aktivera tillägget med solceller.
- Digital 3 (**DIG3**). Ingång för låg tariff. Den här funktionen, som endast är tillgänglig i vissa länder, gör det möjligt att utrustningen aktiveras endast när det kommer en signal utifrån med önskad tariff. Om den elektriska kontakten har en spänningsfri kontakt som stängs när önskad tariff är tillgänglig kan den anslutas till de två **grå** och **rosa** ledningarna i den sexkärniga kabel som medföljer utrustningen. Ställ in parameter **P24=1** för att aktivera lågtariffsdrift i ECO-läge eller **P24=2** för lågtariffsdrift i AUTO-läge.
- Digital ingång (**LPSW**) för flödesbrytaren för solvärme-/varmvattencirkulationspumpen (medföljer ej)
- Analog ingång (**PT1000**) för solvärmepanelsond.

UTGÅNGAR

Reläutgång på 230 VAC/16 A med normalt öppen kontakt för solvärme-/varmvattenåtercirkulationspump (typ PÅ/AV).

Reläutgång på 230 VAC/5 A med normalt öppen kontakt för solvärmepanelns ventilspjäll/dräneringsventil.

Endast för modeller PCV3



Obs! Mer information om fjärranslutningar och konfiguration av utrustningen med dessa system finns i avsnitt "7.5 Driftläge" och "8.1.1 Lista över utrustningsparametrar".

6.7.1.1 Fjärranslutning

För anslutning till de digitala ingångarna har utrustningen ytterligare en sexkärnig kabel som redan är ansluten till användargränssnittets mönsterkort (sitter inuti enheten). Fjärranslutningarna till möjliga energisystem är installatörens ansvar (kopplingsdosor, uttag och anslutningskablar). I följande bilder visas ett exempel på fjärranslutning (fig. 24 och fig. 25) som måste vara längre än **3 m**.

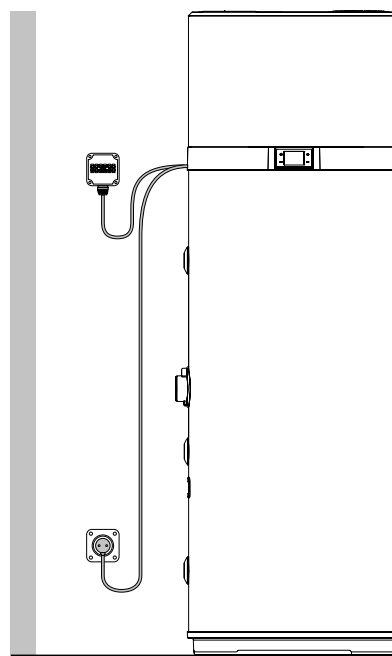


fig. 24- Exempel på fjärranslutning

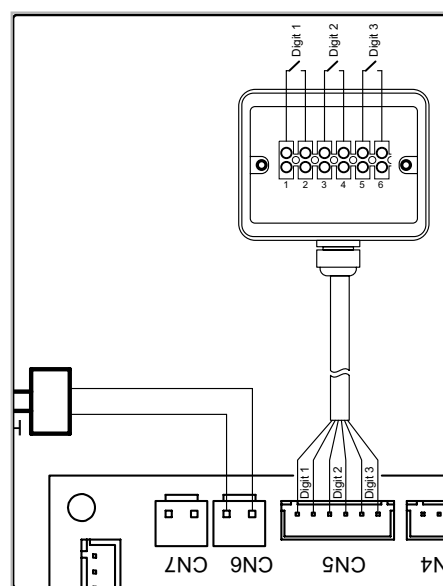


fig. 25

För att komma åt den sexkärniga kabeln för fjärranslutning ska du ta bort den övre kåpan på pannan och dra ut kabeln som redan sitter i enheten via kabeltätningen i bakkåpan.

6.8 Kopplingschema

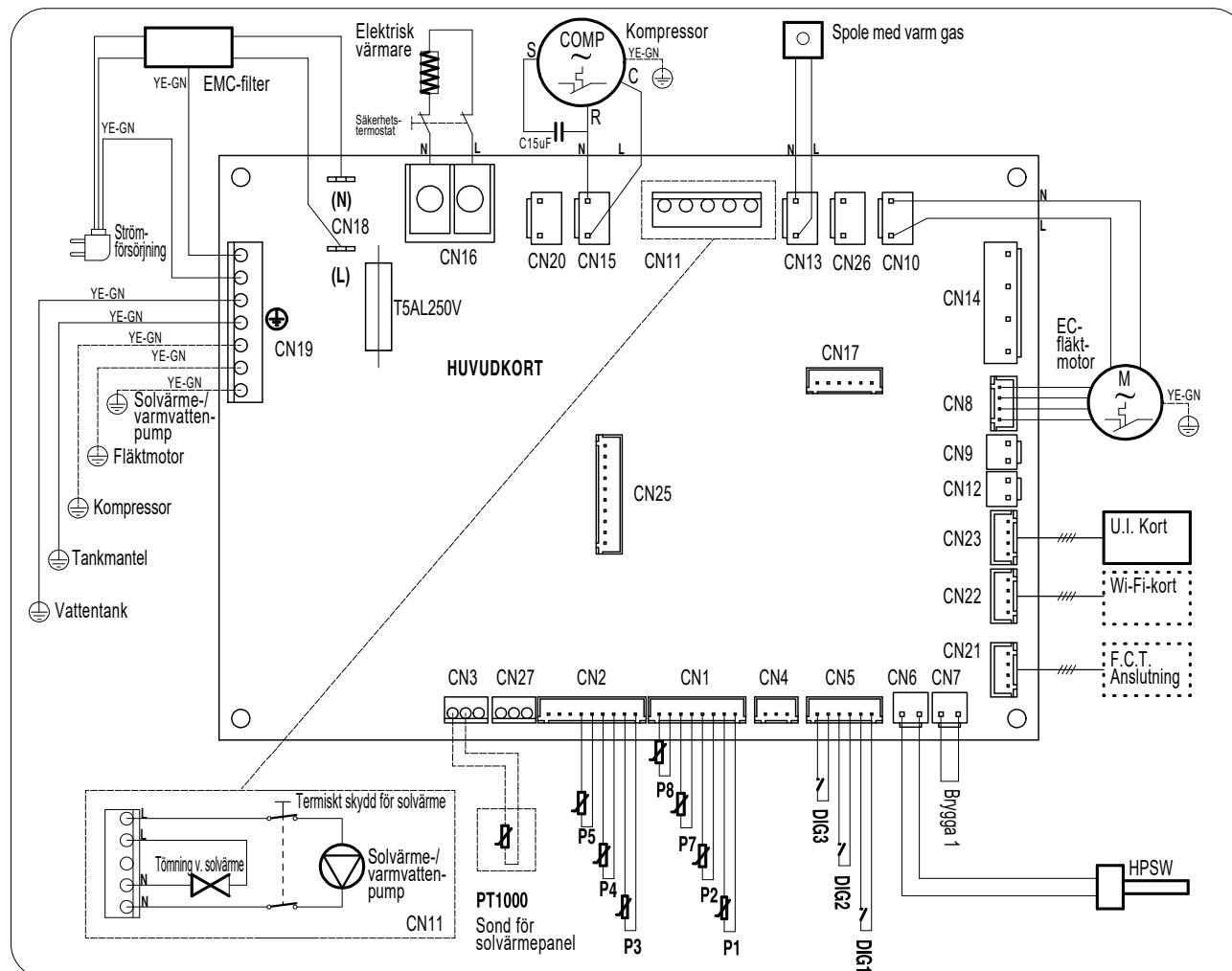


fig. 26- Utrustningens kopplingschema

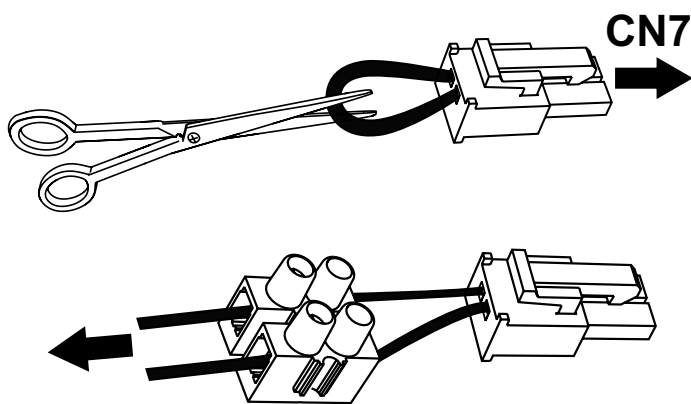
Beskrivning av anslutningar tillgängliga på strömkretskortet

CN1	NTC-sonder för luft, avfrostning och vatten	CN13	Strömförsörjning ventil med varm gas för avfrostning
CN2	Används ej	CN14	Används ej
CN3	Sond för solvärmehantering - Endast för modeller PCV3	CN15	Strömförsörjning kompressor
CN4	Används ej	CN16	Strömförsörjning värmeelement
CN5	Digitala ingångar för solvärme, solceller, låg tariff	CN17	Används ej
CN6	Högtrycksomkopplare	CN18	Nätström 230 V - 1 PH - 50 Hz
CN7	Flödesbrytare för solvärme-/varmvattencirkulationspump (medföljer ej)	CN19	Jordanslutningar
CN8	Elektronisk fläkt PWM-styrning (EC)	CN20	Strömförsörjning på 230 VAC för anodomvandlare för påtryckt ström
CN9+CN12	Används ej	CN21	Anslutning för inspektion/test av linjeslut
CN10	Fläktströmförsörjning EC, AC	CN22	WI-FI-kortanslutning (medföljer ej)
CN11	Solvärme-/varmvattencirkulationspump (typ PÅ/AV), dräneringsventil eller solvärmepanelventilspjäll - Endast för modeller PCV3	CN23	Anslutning för användargränssnitt
		CN25	Används ej

Gör enligt följande för att ansluta en säkerhetsflödesbrytare för solvärme-/varmvattenåtercirkulationskretsen till utrustningen (endast för kvalificerad teknisk personal):

- Stäng av strömmen till utrustningen.
- Ta bort den övre kåpan på utrustningen och sedan kåpan till strömkretskortet.
- Koppla bort "bygein" (brygga 1) från kontakten CN7 på strömkretskortet, kapa sedan ledaren som utgör bryggan på mitten och anslut en lämplig terminal.
- Anslut sedan en flödesbrytare av typen normalt slutet (N.C.) och anslut allting till CN7.
- Montera tillbaka alla plastkomponenter och se till att utrustningen är korrekt installerad innan du ansluter den till nätström.

Om man i stället använder en flödesbrytare av typen normalt öppen (N.O.) måste man ställa in parametern **P15=1** (se avsnitt 8.1).



För att ansluta det termiska skyddet (medföljer) för solvärmecirkulationspumpen ska man göra enligt följande (gäller endast för kvalificerad teknisk personal):

- Stäng av strömmen till apparaten.
- Placera blåsan helt inuti gropen ("A") och stäng kabeltätningen.
- Linda upp kapillärroret tillräckligt för att placera det termiska skyddet inuti ett lämpligt hölje fäst på väggen.
- Anslut det termiska skyddet i serie med solvärmecirkulationspumpens strömförsörjningsanslutningar ledning ("L") och neutral ("N") för frånkoppling av alla poler.
- Kontrollera alla anslutningar innan du ansluter apparaten till nätström.

7. BESKRIVNING AV ANVÄNDARGRÄNSSNITT OCH ANVÄNDNING AV UTRUSTNINGEN

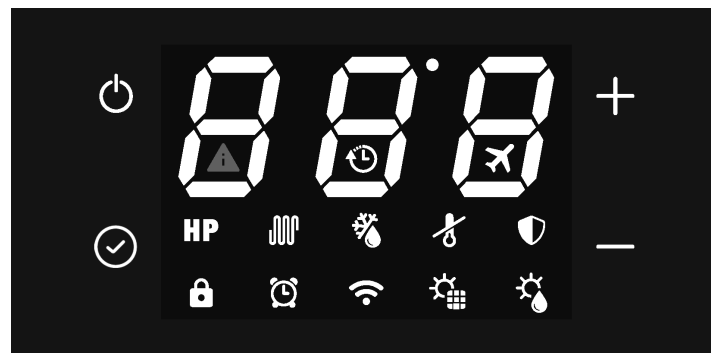


fig. 27

Beskrivning	Symbol
Knappen "På/Av" för att starta apparaten, försätta den i viloläge, låsa upp knappar, spara ändringar	
Knappen "Konfigurera" för att redigera parametervärden, bekräfta	
Knappen "Öka" för att öka börvärde eller parameter eller ändra lösenord	+
Knappen "Minska" för att minska börvärde eller parameter eller ändra lösenord	-
Användning av värmepump (ECO-läge)	HP
Användning av värmeelement (ELEKTRISKT LÄGE)	
AUTOMATISKT läge	HP+
BOOST-läge (symboler blinkar)	HP+
Knappspärr aktiv	
Avfrostning	
Frostskydd	
Antilegionellacykel	
Semesterläge	
Användning med tidsband	
Klockinställning (symbol blinkar)	
Ansluten till WI-FI (ej tillgängligt för dessa modeller)	
Solcellsläge (när symbolen blinkar är tillvalet inte aktiverat)	
Solvärmeläge (när symbolen blinkar är tillvalet inte aktiverat)	
Fel eller skydd aktivt	
Lågtariffsläge (när symbolen blinkar är utrustningen i viloläge)	

Användargränssnittet på den här vattenvärmarmodellen består av fyra kapacitiva knappar och en LED-display.

Så snart varmvattenberedaren startas tänds de fyra knapparna och alla ikoner och displaysegment lysas upp samtidigt i tre sekunder.

Under normal användning av produkten visar de tre siffrorna på displayen vattentemperatur i °C, uppmätt med den övre vattensonden om parametern P11 är inställd på 1 eller med den nedre vattensonden om P11=0.

Under modifiering av valt driftläges börvärde visas börvärdestemperaturen på displayen.

Ikonerna indikerar valt driftläge, förekomsten av larm, Wi-Fi-anslutningsstatus och annan information om produktens status.

7.1 Slå på och slå av vattnet och låsa upp knapparna

När varmvattenberedaren slås på korrekt kan den vara "PÅ" och därför i något av de tillgängliga driftlägena (ECO, automatiskt etc.) eller i viloläge.

I viloläget är de fyra kapacitiva knapparna upplysta, Wi-Fi-ikonen är tänd beroende på anslutningsstatus med extern router (medföljer ej) och, om inga larm förekommer eller om frostskyddet inte är aktiverat, är alla andra ikoner och segmenten på de tre siffrorna släckta.

Slå på enheten

När varmvattenberedaren är i viloläge och "knappspärren" är aktiverad (hänglåsikon nere till vänster lyser) måste man först "låsa upp" knapparna genom att hålla knappen PÅ/AV intryckt i minst tre sekunder (hänglåsikonen slocknar) och sedan hålla knappen PÅ/AV intryckt igen i ytterligare tre sekunder för att slå på varmvattenberedaren.



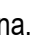
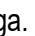
Stänga av enheten

När varmvattenberedaren är påslagen och "knappspärren" är aktiverad måste man först "låsa upp" knapparna genom att hållaknappen PÅ/AV intryckt i minst tre sekunder och sedan hålla knappen PÅ/AV intryckt igen i ytterligare tre sekunder för att stänga av varmvattenberedaren (försätta den i viloläge).

Oavsett status aktiveras knappspärrfunktionen automatiskt 60 sekunder efter att man tryckt på någon av de fyra knapparna på användargränssnittet. Detta är för att förhindra att barn eller obehöriga mixtrar med varmvattenberedaren. Samtidigt dämpas knapparnas och displayens ljusstyrka för att minska enhetens strömförbrukning.

Om man trycker på någon av de fyra knapparna återgår knapparnas och displayens ljusstyrka omedelbart till det normala.

7.2 Ställa in klockan

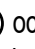

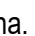
När knapparna är upplåsta håller du knappen  intryckt i tre sekunder för att öppna klockinställningarna (symbolen  blinkar). Ställ in timmarna med hjälp av knapparna "+" och "-" och tryck på "" för att bekräfta ställ sedan in minuterna. Tryck på knappen  för att bekräfta och stänga.


7.3 Inställning av tidsband

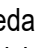
Utrustningens klocka måste ställas in innan man aktiverar tidsbanden.


Välj önskat driftläge och ställ sedan in tidsbanden.

Tidsbanden kan endast aktiveras i lägena ECO - AUTOMATIC - BOOST - ELECTRIC och VENTILATION.

När knapparna är upplåsta håller du knappen  och knappen "-" intryckta i 3 sekunder för att ställa in tidsbanden (symbolen  visas). Ställ in timmarna med hjälp av knapparna "+" och "-", tryck på "" för att bekräfta och ställ sedan in minuterna.




Tryck på  för att bekräfta och gå till tidsinställningarna för avstängning.

Tryck på  för att bekräfta och använd sedan knapparna "+" och "-" för att välja önskat driftläge för tidsbandet (ECO, AUTOMATIC, BOOST, ELECTRIC, VENTILATION).

Tryck på  för att bekräfta och avsluta.


Obs! slutet av tidsbandet försätts utrustningen i viloläge och förblir där tills tidsbandet upprepas nästa dag



För att inaktivera tidsbanden:

- ställ in start- och avstängningstiderna på midnatt (00:00);
- tryck på  för att bekräfta;
- tryck samtidigt på knapparna  och "-" i 3 sekunder (symbolen  slocknar).

7.4 Ställa in börvärde för varmvatten

Det är möjligt att justera börvärdet för varmvatten i lägena ECO, AUTOMATIC, BOOST och ELECTRIC

Välj önskat läge med hjälp av knappen  och justera sedan börvärdet med knapparna "+" och "-".

Tryck på knappen  för att bekräfta och  för att stänga.


Läge	Börvärde för varmvatten	
	Intervall	Standard
ECO	43–62°C	55°C
AUTOMATIC	43–62°C	55°C
BOOST	43–75°C*	55°C
ELECTRIC	43–75°C	55°C

* I läget BOOST är det maximala börvärdet för värmepumpen 62°C. Därför ska ett högre värde endast ställas in för värmeelementet.

7.5 DRIFTLÄGE

Följande lägen är tillgängliga för denna varmvattenberedare:

- ECO;
- BOOST;
- ELECTRIC;
- VENTILATION;
- HOLIDAY;
- AUTOMATIC.

Utrustningen är inställd på ECO-läget och genom att trycka på knappen  kan du välja önskat läge.

För läget ECO, BOOST och AUTOMATIC: genom att trycka samtidigt på knapparna "+" och "-" i 3 sekunder kan du aktivera "tyst läge" (under t.ex. nattetid) vilket reducerar bruset från utrustningen. I detta tillstånd kan prestandan när det gäller vattenuppvärmningshastigheten vara lägre. Inaktivera detta läge genom att trycka samtidigt på knapparna "+" och "-" i 3 sekunder igen.

7.5.1 ECO

Displayen visar symbolen **HP**


I det här läget används endast värmepumpen inom driftgränserna för att säkerställa att maximalt med energi sparas. Värmepumpen stängs slås på 5 minuter efter att detta läge har valts eller efter senaste gången den stängdes av. Vid avstängning kommer värmepumpen ändå att förbli påslagen under de första 5 minuterna för att säkerställa minst 5 minuters oavbruten drift.

7.5.2 BOOST

Symbolerna **HP+** blinkar på displayen.

I det här läget används värmepumpen och värmeelementet inom driftgränserna för att säkerställa snabbare uppvärmning. Värmepumpen stängs slås på 5 minuter efter att detta läge har valts eller efter senaste gången den stängdes av. Vid avstängning kommer värmepumpen ändå att förbli påslagen under de första 5 minuterna för att säkerställa minst 5 minuters oavbruten drift. Värmeelementet slås på omedelbart.

7.5.3 ELECTRIC

Displayen visar symbolen .

I det här läget används endast värmeelementet inom driftgränserna och det är användbart i situationer med låga inloppslufttemperaturer.


7.5.4 VENTILATION

Displayen visar meddelandet **FRn**.

I det här läget används endast den elektroniska fläkten inuti enheten och det är användbart om man vill återcirkulera luften i installationsrummet.


I automatiskt läge justeras fläkten till den lägsta hastigheten.

7.5.5 HOLIDAY

Displayen visar symbolen .


Det här läget är användbart när man är bortrest under begränsad tid och sedan vill att enheten ska fungera i automatiskt läge.

Med hjälp av knapparna + och - kan man ställa in hur många dagar man ska vara borta och då utrustningen ska vara i viloläge.

Tryck på  och sedan på på/av för att bekräfta.



7.5.6 AUTOMATIC

Displayen visar symbolen **HP + **.

I det här läget används värmepumpen och, om det behövs, även värmeelementet inom driftgränserna för att säkerställa bästa möjliga komfort.

Värmepumpen stängs slås på 5 minuter efter att detta läge har valts eller efter senaste gången den stängdes av.


Vid avstängning kommer värmepumpen ändå att förbli påslagen under de första 5 minuterna för att säkerställa minst 5 minuters oavbruten drift.


7.6 YTTRELLIGARE FUNKTIONER

7.6.1 Solvärmeläge **HP+** eller **HP+** eller +

(Endast för modeller PCV3)

När solvärmeläget aktiveras från installatörsmenyn är endast ECO - AUTOMATIC - HOLIDAY tillgängliga.

När symbolen  på displayen blinkar är inte solvärmeläget aktiverat och enheten fungerar i valt läge: ECO, AUTOMATIC eller HOLIDAY.

När symbolen  på displayen tänds används energin som genereras av solvärmesystemet för att värma upp vattnet inuti tanken via solvärmespolen.

7.6.2 Solcellsläge **HP**+☀️ eller **HP**+☀️+☀️ eller ✈️+☀️
När solcellsläget aktiveras från installatörsmenyn är endast ECO - AUTOMATIC - HOLIDAY tillgängliga.

När symbolen ☀️ på displayen blinkar är inte solcellsläget aktiverat och enheten fungerar i valt läge: ECO, AUTOMATIC eller HOLIDAY.

När symbolen ☀️ på displayen tänds används energin som genereras av solcellssystemet för att värma upp vattnet inuti tanken.

När läget ECO är valt körs värmepumpen tills börvärdet nås och värmeelementet slås på tills börvärdet för solcellssystemet som ställts in via installatörsmenyn nås.

Annars, om läget AUTOMATIC är valt, kan värmeelementet även slås på innan börvärdet för det här läget nås, om gällande förhållanden så kräver.

7.6.3 Lågtariffsläge **HP**+🕒 eller **HP**+☀️+🕒

När solcellsläget aktiveras från installatörsmenyn är endast ECO - AUTOMATIC tillgängliga.

När symbolen 🕒 blinkar på displayen är inte lågtariffsläget aktiverat och enheten förblir i viloläge och värmepumpen och värmeelementet är avstängda.

Annars, när symbolen 🕒 lyser på displayen, fungerar enheten i läget ECO eller AUTOMATIC.

7.6.4 Antilegionella

Displayen visar symbolen 🦠.

Vid den inställda tiden varannan vecka utförs en vattenuppvärmningscykel med hjälp av värmeelementet inuti tanken, upp till antilegionellatemperaturen som sedan bibehålls under den inställda tidsperioden.

Om cykeln, när vattnet når antilegionellatemperaturen, inte utförs korrekt inom 10 timmar, stoppas den för att köras igenom 2 veckor.

Om funktionen för begäran om antilegionella används i läget HOLIDAY utförs antilegionellacykeln omedelbart när enheten återaktiveras efter det inställda antalet dagar som man är bortrest.

Antilegionellparametrar	Intervall	Standard
Börvärde antilegionellatemp (P3)	50–75°C	75°C
Varaktighet antilegionellacykel (P4)	0–90 min	30 min
Aktiveringstid antilegionellacykel (P29)	0–23 t	23 t

7.6.5 Avfrostningsfunktion

Displayen visar symbolen ❄️.

Enheten har en automatiskt avfrostningsfunktion med en förångare som aktiveras när driftsförhållanden så kräver under körning av värmepumpen.

Avfrostning sker genom att varm gas sprutas in i förångaren, så att den kan frostas av snabbt.

Under avfrostning stängs det medföljande värmeelementet av om inget annat ställts in via installatörsmenyn (parameter P6).

Den maximala varaktigheten för avfrostning är 8 minuter.

7.6.6 Frostskydd














Displayen visar symbolen 🌡️.

Det här skyddet förhindrar att vattentemperaturen inuti tanken når värden nära noll grader.

När utrustningen är i viloläge och när vattentemperaturen inuti tanken är 5°C eller lägre (parametern kan konfigureras via installatörsmenyn) aktiveras frostskyddet, som slår på värmeelementet till temperaturen når 12°C (parametern kan konfigureras via installatörsmenyn).

7.7 Fel/skydd

Utrustningen har ett självdiagnostiseringssystem som omfattar vissa möjliga fel eller skydd från avvikande driftförhållande via: detektering, signalering och användning av en nödprocedur tills felet har löst.

Fel/skydd	Felkod	Indikation på display
Fel tank nedre sond	P01	 +P01
Fel tank övre sond	P02	 +P02
Fel avfrosthingsond	P03	 +P03
Fel inluftssond	P04	 +P04
Fel förångare inloppssond	P05	 +P05
Fel förångare utloppssond	P06	 +P06
Fel kompressor flödessond	P07	 +P07
Fel solvärmepanel sond	P08	 +P08
Högtrycksskydd	E01	 +E01
Larm solvärme-/återcirkulationskrets	E02	 +E02
Larm om temperaturen inte lämpar sig för användning av värmepump (Med aktivt larm värms vattnet endast upp med värmeelementet)	PA	 +PA
Ingen kommunikation (med aktivt larm fungerar inte utrustningen)	E08	 +E08
Fel elektronisk fläkt	E03	 +E03

Om något av felen uppstår måste man kontakt tillverkarens tekniska assistans och uppge felkoden som visas på displayen.

8. DRIFTSÄTTNING



OBS! Kontrollera att utrustningen har anslutits till jordledningen.



OBS! Kontrollera att ledningsspänningen stämmer överens med den som står angiven på utrustningens typskylt.



FÖRSIKTIGHET! Apparaten kan endast slås på efter att den har fyllts med vatten.

Fortsätt med följande steg för driftsättning:

- När apparaten är installerad och alla anslutningar har gjorts (luft, hydraulik, elektricitet etc.) måste den fyllas med vatten från hushållets vattennätverk. För att fylla apparaten måste man öppna den centrala kranen på hushållets vattennätverk och närmsta varmvattenkran, samtidigt som man ser till att all luft i tanken släpps ut gradvis.
- Se till att det maximala tillåtna trycket som står angivet i avsnittet "Allmänna tekniska data" inte överskrids.
- Kontrollera vattenkretsens säkerhetsanordningar.
- Anslut enheten till eluttaget.
- När du sätter i kontakten försätts varmvattenberedaren i viloläge, displayen förblir avstängd och strömknappen tänds.
- Tryck på knappen PÅ/AV. Enheten aktiveras nu i läget "ECO" (fabriksinställning).

I händelse av plötsligt strömavbrott kommer utrustningen att starta med det driftläge som användes vid avbrottet.

8.1 Förfrågan, redigering av driftparametrar

Den här utrustningen har två olika menyer, en för att kontrollera och en för att redigera driftparametrarna (se "8.1.1 Lista över utrustningsparametrar").

När utrustningen är i drift kan man kontrollera parametrarna när som helst genom att låsa upp knapparna (se "7.1 Slå på och slå av vattnet och låsa upp knapparna") och hålla in knapparna "⊙" och "+" samtidigt i tre sekunder. Den första parameterns etikett visas på displayen med bokstaven "A". Om man trycker på knappen "+" visas parameterns värde, och om man trycker på knappen en gång till visas den andra parameterns etikett "B", och så vidare.

Du kan sedan bläddra framåt och bakåt i hela parameterlistan med knapparna "+" och "-".

Tryck på knappen "PÅ/AV" för att stänga.

Det går endast att redigera en eller flera driftparametrar när utrustningen är i viloläge och i sådana fall måste lösenordet anges.



OBS! Användning av lösenord är endast för kvalificerad personal. Kunden är ensam ansvarig för eventuella följder av felaktiga parameterinställningar. Därför gäller inte standardgarantin för eventuella åtgärder som ett auktoriserat tekniskt assistanscenter DAIKIN begär av kunden under standardgarantiperioden, gällande produktproblem som beror på att lösenordsskyddade parametrar har ställts in felaktigt.

Med knapparna upplåsta, och endast i viloläge, håller du knapparna "⊙" och "+" intryckta i tre sekunder för att öppna menyn för redigering av utrustningsparametrar (lösenordsskyddad: 35). Displayen visar de två siffrorna "00". Tryck på knappen "⊙". Siffran "0" till vänster blinkar och du kan nu använda "+" och "-" för att välja det första siffran som ska anges (3) och trycka på "⊙" för att bekräfta. Fortsätt på samma sätt för den andra siffran (5).

Om lösenordet är rätt visas parametern P1. Om du trycker på knappen "+" visas standardvärdet för den här parametern, vilket kan ändras genom att man trycker på ⊙. Med hjälp av knapparna "+" och "-" är det sedan möjligt att ändra värdet inom det tillåtna intervallet för den här parametern. Tryck sedan på ⊙ för att bekräfta och knappen "+" för att fortsätta med de andra parametrarna.

Efter att du har redigerat önskade parametrar trycker du på knappen PÅ/AV för att spara och avsluta.

Utrustningen återgår nu till viloläget.

8.1.1 Lista över utrustningsparametrar

Parameter	Beskrivning	Intervall	Standard	Kommentarer
A	Nedre sond för vattentemperatur	-30–99°C	Uppmätt värde	Går ej att ändra
B	Övre sond för vattentemperatur	-30–99°C	Uppmätt värde	Går ej att ändra
C	Sond för avfrostningstemperatur	-30–99°C	Uppmätt värde	Går ej att ändra
D	Sond för tilluftstemperatur	-30–99°C	Uppmätt värde	Går ej att ändra
E	Sond för temperatur i förångarens inloppsgas	-30–99°C	Uppmätt värde / "0°C" om P33=0	Går ej att ändra (1)
F	Sond för temperatur i förångarens utloppsgas	-30–99°C	Uppmätt värde / "0°C" om P33=0	Går ej att ändra (1)
G	Sond för temperatur i kompressorrens utloppsgas	0–125°C	Uppmätt värde / "0°C" om P33=0	Går ej att ändra (1)
H	Sond för solvärmepanelens temperatur (PT1000)	0–150°C	Uppmätt värde / "0°C" om P16=2	Går ej att ändra (2)
I	EEV-öppningssteg	30–500	Uppmätt värde / P40-värde om P39=1	Går ej att ändra (1)
J	Strömkretskortets firmwareversion	0–99	Aktuellt värde	Går ej att ändra
L	Användargränssnittets firmwareversion	0–99	Aktuellt värde	Går ej att ändra
P1	Hysteres på nedre vattensond för värmepump i drift	2–15°C	7°C	Går att ändra
P2	Fördröjning start av elektrisk värmare	0–90 min	6 min	Funktion undantagen
P3	Börvärdestemperatur antilegionella	50°C–75°C	75°C	Går att ändra
P4	Varaktighet antilegionella	0–90 min	30 min	Går att ändra
P5	Avfrostningsläge	0=kompressorstopp 1=varm gas	1	Går att ändra
P6	Användning av elektrisk värmare under avfrostning	0=AV 1=PA	0	Går att ändra
P7	Fördröjning mellan två på varandra följande avfrostningscykler	30–90 min	60 min	Går att ändra
P8	Temperaturgränsvärde för start av avfrostning	-30–0°C	-5°C	Går att ändra
P9	Temperaturgränsvärde för stopp av avfrostning	2–30°C	3°C	Går att ändra
P10	Maximal varaktighet för avfrostning	3 min–12 min	10 min	Går att ändra
P11	Vattentemperatursonds värde som visas på displayen	0=nedre 1=övre	1	Går att ändra
P12	Användningsläge extern pump	0=alltid AV 1=återcirkulation av varmvatten 2=solvärmesystem	1	Går att ändra
P13	Arbetsläge för varmvattenåtercirkulationspump	0=med värmepump 1=alltid PA	0	Går att ändra
P14	Typ av förångarfläkt (EC; AC; AC med dubbel hastighet; EC med dynamisk hastighetskontroll)	0=EC 1=AC 2=AC med dubbel hastighet 3 = EC med dynamisk hastighetskontroll	3	Går att ändra
P15	Typ av säkerhetsflödesbrytare för solvärme-/varmvattenåtercirkulationskretsen, lågtrycksbrytare	0=NC 1=NO 2 = lågtrycksbrytare	0	Går att ändra
P16	Integration solvärmeläge	0=permanent inaktiverat 1=fungerar med DIG1 2=direkt styrning solvärmesystem	0	Går att ändra (2)
P17	Fördröjning för start av värmepump efter att DIG1 öppnas	10–60 min	20 min	Går att ändra (2)
P18	Värde för nedre vattensondstemperatur för att stoppa värmepumpen vid integration med solvärmeläge=1 (fungerar med DIG1)	20–60°C	40°C	Går att ändra (2)
P19	Hysteres på nedre vattensond för att starta pumpen vid integration med solvärmeläge=2 (direkt styrning av solvärmesystem)	5–20°C	10°C	Går att ändra (2)

Parameter	Beskrivning	Intervall	Standard	Kommentarer
P20	Temperaturgränsvärde för aktivering av spjällventil för solvärmedräneringsventil/solvärmepanel vid integration med solvärmeläge=2 (direkt styrning av solvärmesystem)	100–150°C	140°C	Går att ändra (2)
P21	Värde för nedre vattensondstemperatur för att stoppa värmepumpen vid integration med solcellsläge	30–70°C	62°C	Går att ändra
P22	Värde för övre vattensondstemperatur för att stoppa den elektriska värmaren vid integration med solcellsläge	30–80°C	75°C	Går att ändra
P23	Integration solcellsläge	0=permanent inaktiverat 1=aktiverad	0	Går att ändra
P24	Lågtariffsläge	0=permanent inaktiverat 1=aktiverat med ECO 2=aktiverat med AUTO	0	Går att ändra
P25	Förskjutningsvärde på övre vattentemperatursond	-25–25°C	2°C	Går att ändra
P26	Förskjutningsvärde på nedre vattentemperatursond	-25–25°C	2°C	Går att ändra
P27	Förskjutningsvärde på temperatursond för luftintag	-25–25°C	0°C	Går att ändra
P28	Förskjutningsvärde på temperatursond för avfrostning	-25–25°C	0°C	Går att ändra
P29	Starttid för antilegionella	0–23	23	Går att ändra
P30	Hysteres på övre vattensond för elektriskt värmare i drift	2–20°C	7°C	Går att ändra
P31	Arbetsperiod för värmepump i läget AUTO för beräkning av uppvärmningshastighet	10–80 min	30 min	Går att ändra
P32	Temperaturgränsvärde för användning av elektrisk värmare i läget AUTO	0–20°C	4°C	Går att ändra
P33	Styrning av elektronisk expansionsventil (EEV)	0=permanent inaktiverat 1=aktiverad	1	Går att ändra (1)
P34	Beräkningsperiod för överhettning för automatiskt styrläge med EEV	20–90 s	30 s	Går att ändra (1)
P35	Överhettningbörvärde för automatiskt styrläge med EEV	-8–15°C	4°C	Går att ändra (1)
P36	Börvärde för överhettningsskylning för automatiskt styrläge med EEV	60–110°C	88°C	Går att ändra (1)
P37	EEV-stegöppning under avfrostningsläge (x10)	5–50	15	Går att ändra (1)
P38	Minsta EEV-stegöppning med automatiskt styrläge (x10)	3~45	9	Går att ändra (1)
P39	EEV-styrläge	0=automatiskt 1=manuellt	0	Går att ändra (1)
P40	Initial EEV-stegöppning med automatiskt styrläge/EEV-stegöppning med manuellt styrläge (x10)	5–50	25	Går att ändra (1)
P41	AKP1-temperaturgränsvärde för EEV KP1-ökning	-10–10°C	-1	Går att ändra (1)
P42	AKP2-temperaturgränsvärde för EEV KP2-ökning	-10–10°C	0	Går att ändra (1)
P43	AKP3-temperaturgränsvärde för EEV KP3-ökning	-10–10°C	0	Går att ändra (1)
P44	EEV KP1-ökning	-10–10	2	Går att ändra (1)
P45	EEV KP2-ökning	-10–10	2	Går att ändra (1)
P46	EEV KP3-ökning	-10–10	1	Går att ändra (1)

Parameter	Beskrivning	Intervall	Standard	Kommentarer
P47	Maximal tillåten inloppstemperatur för värmepump i drift	38–43°C	43°C	Går att ändra
P48	Minsta tillåten inloppstemperatur för värmepump i drift	-10–10°C	-7°C	Går att ändra
P49	Gränsvärde på inloppstemperatur för förångarfläktingställning EC eller AC med dubbelhastighet	10–40°C	25°C	Går att ändra
P50	Nedre vattentemperaturbörvärde frostskyddsmedel	0–15°C	12°C	Går att ändra
P51	Börvärde högre hastighet förångarfläkt EC	60–100%	90%	Går att ändra
P52	Börvärde lägre hastighet förångarfläkt EC	10–60%	50%	Går att ändra
P53	Börvärde defrosthastighet EC-förångarfläkt	0÷100%	50%	Går att ändra
P54	Förbikopplingstid lågtrycksbrytare	1÷240 min	1	Går att ändra
P55	Proportionerlig reglering av förångartemperatur band 1	1÷20°C	4°C	Går att ändra
P56	Differentialtemperatur med aktivering av maximal hastighet	P57+20°C	2°C	Går att ändra
P57	Differentialtemperatur med inaktivering av maximal hastighet	1°C÷P56	1°C	Går att ändra
P58	Användning av förångarfläkt med kompressor avstängd	0=AV 1 = PÅ med manuell hastighetskontroll 2 = PÅ med automatisk hastighetskontroll	0	Går att ändra
P59	Förångarfläkthastighet (EC) med kompressor avstängd	0÷100%	40%	Går att ändra
P60	Temperaturskillnad 1 av förångning av luften för beräkning av börvärde	1÷25°C	4°C	Går att ändra
P61	Temperaturskillnad 2 av förångning av luften för beräkning av börvärde	1÷25°C	2°C	Går att ändra
P62	Temperaturskillnad 3 av förångning av luften för beräkning av börvärde	1÷25°C	6°C	Går att ändra
P63	Temperaturskillnad 4 av förångning av luften för beräkning av börvärde	1÷25°C	3°C	Går att ändra
P64	Temperaturskillnad 5 av förångning av luften för beräkning av börvärde	1÷25°C	10°C	Går att ändra
P65	Temperaturskillnad 6 av förångning av luften för beräkning av börvärde	1÷25°C	18°C	Går att ändra
P66	Proportionerlig reglering av förångartemperatur band 2	1÷20°C	2°C	Går att ändra
P67	Proportionerlig reglering av förångartemperatur band 3	1÷20°C	9°C	Går att ändra
P68	Proportionerlig reglering av förångartemperatur band 4	1÷20°C	5°C	Går att ändra
P69	Proportionerlig reglering av förångartemperatur band 5	1÷20°C	10°C	Går att ändra
P70	Proportionerlig reglering av förångartemperatur band 6	1÷20°C	5°C	Går att ändra
P71	Reducering av EC-förångares fläkthastighet för tyst läge	0÷40%	15%	Går att ändra
P72	Regulatorökning EC-fläkthastighet	1÷100	5	Går att ändra

(1)=ANVÄNDS EJ FÖR DEN HÄR ENHETEN

(2)=ENDAST FÖR MODELLER "EKHHE200PCV37, EKHHE260PCV37"

9. FELSÖKNING



**FÖRSIKTIGHET! Försök inte reparera apparaten på egen hand.
Följande kontroller ska endast utföras av kvalificerad personal.**

Fel	Rekommenderad åtgärd
Utrustningen startar inte	<ul style="list-style-type: none">• Kontrollera att produkten är ansluten till nätströmmen.• Koppla ur utrustningen och vänta några minuter innan du återansluter den.• Kontrollera strömkabeln inuti produkten.• Kontrollera säkringen på strömkretskortet är intakt. Om den inte är det ska den bytas ut mot en tidsfördröjd säkring på 5 A som uppfyller IEC-60127-2/II.
Vatten kan inte värmas upp via värmepumpen i läget ECO eller AUTOMATIC	<ul style="list-style-type: none">• Stäng av utrustningen och slå sedan på den igenom efter några timmar.• Koppla bort utrustningen från nätströmmen, töm ut en del av vattnet i tanken (ca 50 procent), fyll den sedan igen och slå på utrustningen i läget ECO.
Värmepumpen förblir påslagen utan att stängas av	<ul style="list-style-type: none">• Utan att tömma produkten på varmvatten ska du kontrollera att uppvärmning sker med värmepumpen om några timmar.
Vatten kan inte värmas upp via integrerat värmeelement i läget AUTOMATIC	<ul style="list-style-type: none">• Stäng av utrustningen och kontrollera värmeelementets överhettningsskydd inuti utrustningen och återställ det om det behövs. Slå sedan på utrustningen i läget AUTOMATIC.• Koppla bort utrustningen från nätströmmen, töm ut en del av vattnet i tanken (ca 50 procent), fyll den sedan igen och slå på utrustningen i läget AUTOMATIC.• Öppna installatörsmenyn och öka värdet för parametern P32, t.ex. till 7°C.• Kontrollera att värmeelementets överhettningsskydd inte har utlösts (se 9.2)

9.1 Byte av strömkrets-kortets säkring

Gör enligt nedan (endast för kvalificerad teknisk personal):

- Stäng av strömmen till utrustningen.
- Ta bort den övre kåpan på utrustningen och sedan kåpan till strömkrets-kortet.
- Ta bort säkringslocket och sedan säkringen med hjälp av en lämplig skruvmejsel.
- Montera en ny tidsfördröjd säkring på 5 A som uppfyller IEC-60127-2/II (T5AL250V) och sätt sedan tillbaka skyddslocket.
- Montera tillbaka alla plastkomponenter och se till att utrustningen är korrekt installerad innan du ansluter den till nätström.

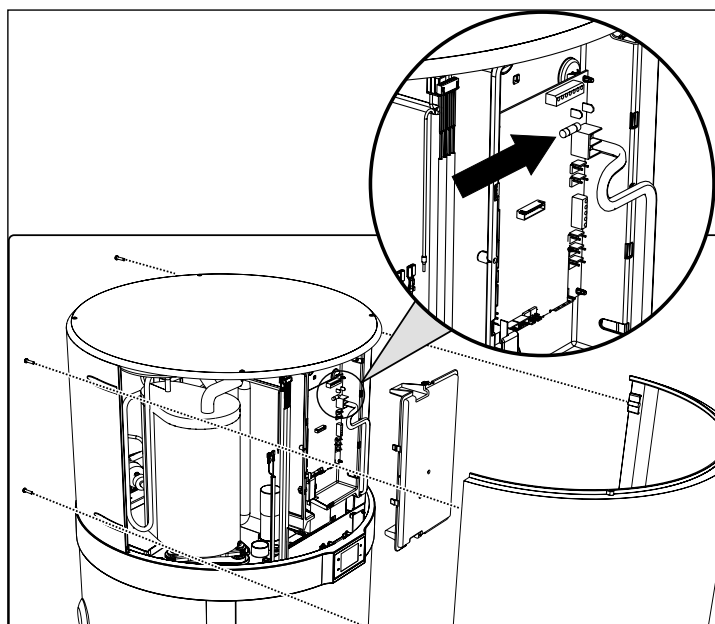


fig. 28

9.2 Återställning av värmeelementets överhettningsskydd

Den här utrustningen har ett överhettningsskydd med manuell återställning anslutet i serie med värmeelementet som är nedsänkt i vatten. Skyddet bryter strömförsörjningen i händelse av övertemperatur inuti tanken.

Gör enligt följande för att återställa skyddet vid behov (gäller endast för kvalificerad teknisk personal):

- Koppla ur produkten.
- Ta bort eventuella luftkanaler.
- Ta bort den övre kåpan genom att först lossa låsskruvarna (fig. 29).
- Ta bort frontpanelen och återställ det utlösta överhettningsskyddet manuellt (fig. 30). Om skyddet utlöses åker det mittersta stiftet ut ca 2 mm.
- Montera tillbaka den övre kåpan.

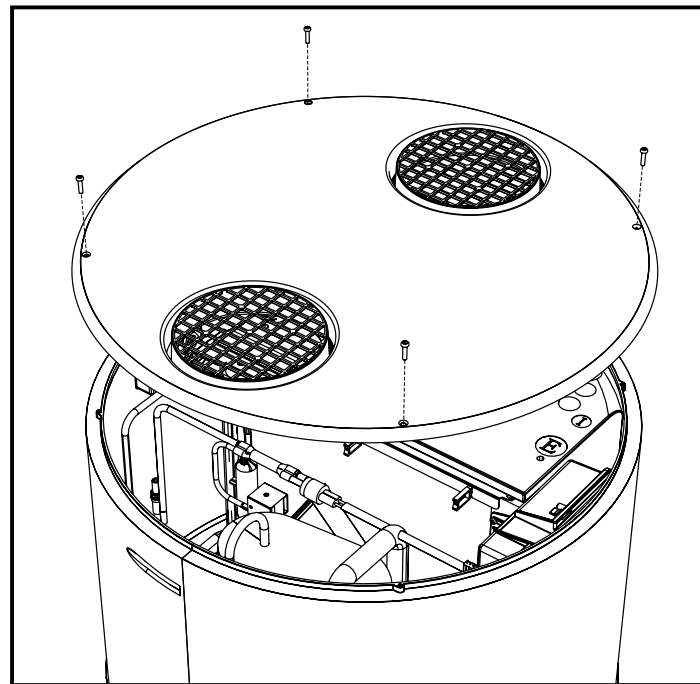


fig. 29- Borttagning av övre kåpa

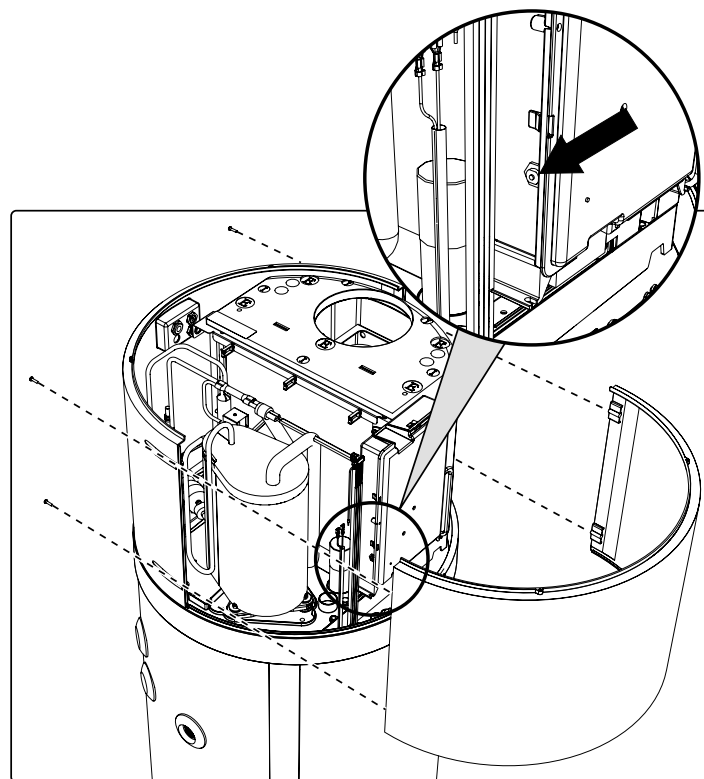


fig. 30- Borttagning av frontpanel

! OBS! Överhettningsskyddet kan utlösas på grund av fel i styrkortet eller att det inte finns något vatten i tanken.

! OBS! Om du utför reparationsarbete på delar som sköter säkerhetsfunktionen kan det äventyra säker användning av utrustningen. Defekta komponenter får endast bytas ut mot originalreservdelar.

! OBS! Det elektriska värmeelementets drift påverkas inte av att överhettningsskyddet utlöses, men det gör värmepumpsystemet inom de tillåtna driftgränserna.

! OBS! Om användaren inte kan åtgärda felet ska utrustningen stängas av och man ska kontakta teknisk assistans och uppge vilken produktmodell man har.

10. UNDERHÅLL

! OBS! Eventuella reparationer av utrustningen måste utföras av kvalificerad personal. Felaktiga reparationer kan försätta användaren i fara. Om utrustningen behöver repareras ska du kontakta service.

! OBS! Innan något underhållsarbete utförs måste man se till att utrustningen inte är och inte kan råka bli ansluten till nätström. Därför ska man koppla bort strömmen varje gång underhåll eller rengöring ska utföras.

10.1 Kontroll/byte av offeranod

Magnesiumanoden (Mg), som även kallas för "offeranod", förhindrar att virvelström som genereras inuti pannan utlöser ytkorrosion.

Faktum är att magnesium är en svagt laddad metall jämfört med materialet som insidan av pannan är belagd med, därför attraherar det först den negativa laddning som genereras när vattnet värms upp, och förbrukar den. Anoden "offrar" därmed sig själv genom att korrodera i stället för tanken. Pannan har två anoder. En sitter på den nedre delen av tanken och en sitter på den övre delen av tanken (område som löper större risk att drabbas av korrosion).

Magnesiumnodernas skick måste kontrolleras minst vartannat år (helst årligen). Detta måste utföras av kvalificerad personal.

Innan kontrollen utförs:

- Stäng kallvatteninloppet.
- Töm pannan (se avsnitt "10.2 Panntömning").
- Skruva loss den övre anoden och kontrollera hur mycket den har korroderat. Om det är mer än två tredjedelar av anodytan ska den bytas ut.

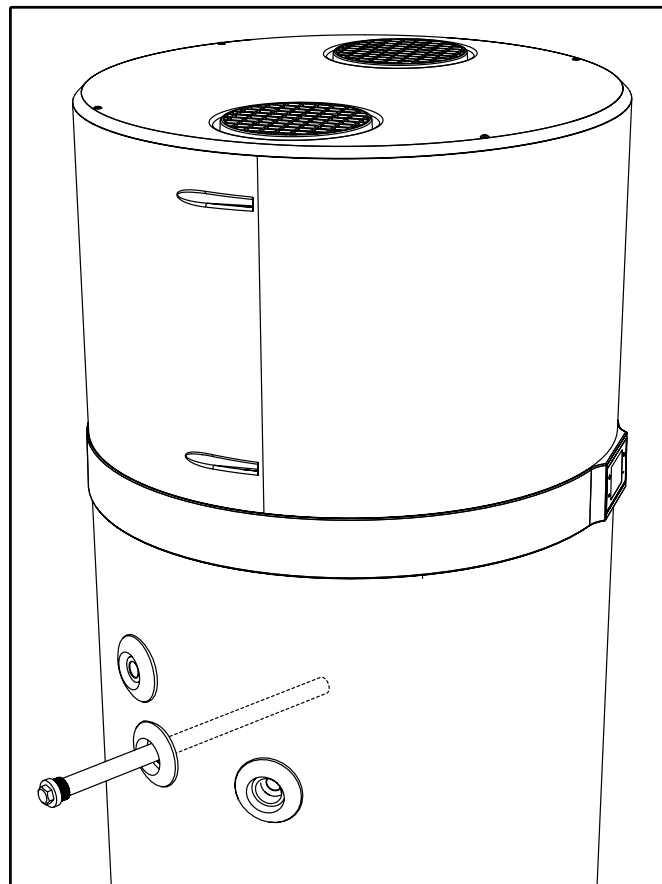


fig. 31

Anoderna har en särskild tätningsspackning som förhindrar vattenläckage. Det rekommenderas att man använder anaerobiskt tätningsmedel som är godkänt för användning i värme- och avloppssystem. Packningarna måste bytas ut mot nya vid kontroll samt vid anodbyte.

10.2 Panntömning

Om den inte är i bruk, i synnerhet om de råder låga temperaturer, rekommenderas det att man tömmer pannan på vatten.

För utrustningen i fråga räcker det att ta loss vatteninloppsanslutningen (se avsnitt "6.5 Hydrauliska anslutningar"). Alternativt kan man, när man konfigurerar systemet, installera en tappkran med en slanganslutning.

! OBS! Kom ihåg att tömma systemet vid låga temperaturer för att undvika att det fryser.

11. KASSERING

I slutet av systemet livscykel ska värmepumparna kasseras enligt aktuella förordningar.



OBS! Denna utrustning innehåller fluorerade växthusgaser som omfattas av Kyotoavtalet. Underhåll och kassering får endast utföras av kvalificerad personal.

INFORMATION TILL ANVÄNDARE



Uppfyller direktiven 2011/65/EU och 2012/19/EU gällande begränsning av användning av farliga ämnen i elektrisk och elektronisk utrustning samt avfallshantering.

Symbolen med den överstrukna soptunnan på utrustningen eller på dess förpackning indikerar att produkten måste lämnas in till en återvinningscentral i slutet av dess livscykel.

Därför måste användaren lämna in utrustning till lämplig återvinningscentral för elektrisk och elektronisk utrustning i slutet av utrustningens livscykel, eller lämna tillbaka den till återförsäljaren när man köper ny utrustning av motsvarande typ. Lämplig separat avfallshantering för att skicka uttjänt utrustning till återvinning, behandling och/eller kassering bidrar till att förhindra negativ inverkan på miljö och hälsa och främjar återanvändning och/eller återvinning av utrustningens material. Ej auktoriserad kassering av produkten av användaren leder till administrativa påföljder enligt gällande lagstiftning.

De huvudsakliga material som utrustningen består av är:

- stål
- koppar
- magnesium
- aluminium
- plast
- polyuretan

12. PRODUKTBLAD

Beskrivningar	u.m.	EKHHE200CV37	EKHHE260CV37	EKHHE200PCV37	EKHHE260PCV37
Deklarerad belastningsprofil	-	L	XL	L	XL
Temperaturinställningar varmvattenberedarens termostat	°C	55	55	55	55
Energieffektivitetsklass för vattenuppvärmning ⁽¹⁾	-	A+	A+	A+	A+
Energieffektivitet för vattenuppvärmning - η_{wh} ⁽¹⁾	%	135	138	135	138
COP _{DHW} ⁽¹⁾	-	3,23	3,37	3,23	3,37
Årlig elförbrukning - AEC ⁽¹⁾	kWh	761	1210	761	1210
Energieffektivitet för vattenuppvärmning - η_{wh} ⁽²⁾	%	106	112	106	112
COP _{DHW} ⁽²⁾	-	2,55	2,73	2,55	2,73
Årlig elförbrukning - AEC ⁽²⁾	kWh	944	1496	944	1496
Energieffektivitet för vattenuppvärmning - η_{wh} ⁽³⁾	%	162	160	162	160
COP _{DHW} ⁽³⁾	-	3,89	3,9	3,89	3,9
Årlig elförbrukning - AEC ⁽³⁾	kWh	631	1046	631	1046
Ljudeffektsnivå inomhus ⁽⁴⁾	dB (A)	53	51	53	51
Ljudeffektsnivå utomhus ⁽⁴⁾	dB (A)	45	44	45	44
Varmvattenberedaren kan fungera endast under timmar med låg tariff	-	NEJ	NEJ	NEJ	NEJ
Specifika försiktighetsåtgärder som ska vidtas när varmvattenberedaren monteras, installeras eller när underhållsarbete utförs på den	-	Se användarhandbok			

(1): Data i enlighet med EN 16147: 2017-standarden för genomsnittliga klimatförhållanden (enhet i ECO-läge, inloppsvatten = 10°C; luftintagstemperatur = 7°C DB/6°C WB)

(2): Data i enlighet med EN 16147: 2017-standarden för KALLARE klimatförhållanden (enhet i ECO-läge, inloppsvatten = 10°C; luftintagstemperatur = 2°C DB/1°C WB)

(3): Data i enlighet med EN 16147: 2017-standarden för VARMARE klimatförhållanden (enhet i ECO-läge, inloppsvatten = 10°C; luftintagstemperatur = 14°C DB/13°C WB)

(4): Data i enlighet med EN 12102-2: 2019, ECO-läge med luftintagstemperatur = 7°C DB/6°C WB

1. OGÓLNE ŚRODKI OSTROŻNOŚCI	2
2. WPROWADZENIE.....	6
2.1 Produkty	6
2.2 Wyłączenie odpowiedzialności	6
2.3 Język.....	6
2.4 Prawa autorskie	7
2.5 Dostępne wersje i konfiguracje.....	7
3. PRZENOSZENIE I TRANSPORT	7
3.1 Odbiór	7
4. ELEMENTY KONSTRUKCYJNE.....	9
4.1 Dane wymiarowe	10
4.2 Dane techniczne	11
5. WAŻNE INFORMACJE.....	12
5.1 Zgodność z przepisami europejskimi.....	12
5.2 Stopień ochrony obudowy	12
5.3 Ograniczenia robocze.....	12
5.4 Ograniczenia robocze	12
5.5 Podstawowe zasady bezpieczeństwa	13
5.6 Informacje o używanym czynniku chłodniczym	13
6. INSTALACJA I POŁĄCZENIA.....	13
6.1 Przygotowanie miejsca instalacji	13
6.2 Mocowanie do podłogi.....	14
6.3 Podłączanie wentylacji.....	14
6.4 Mocowanie i podłączanie urządzenia.....	16
6.5 Przyłącza hydrauliczne	16
6.6 Integracja z systemem ogrzewania słonecznego (<i>tylko modele EKHHE200PCV37 i EKHHE260PCV37</i>).....	17
6.7 Połączenia elektryczne	18
6.8 Schemat okablowania.....	20
7. OPIS INTERFEJSU UŻYTKOWNIKA I OBSŁUGI URZĄDZENIA	21
7.1 Włączanie i wyłączanie podgrzewacza wody oraz odblokowywanie przycisków	22
7.2 Ustawianie zegara	22
7.3 Ustawianie przedziałów czasu.....	22
7.4 Ustawianie nastawy ciepłej wody	22
7.5 Tryb pracy.....	23
7.6 Funkcje dodatkowe.....	24
7.7 Usterki/Zabezpieczenia	25
8. ROZRUCH	26
8.1 Zapytania, edycja parametrów pracy.....	26
9. ROZWIĄZYWANIE PROBLEMÓW	30
9.1 Wymiana bezpiecznika płyty głównej	31
9.2 Reset termostatu bezpieczeństwa grzałki	31
10. KONSERWACJA.....	32
10.1 Kontrola/wymiana anody traconej	32
10.2 Opróżnianie bojlera	32
11. UTYLIZACJA.....	33
12. KARTA PRODUKTU	33

1. OGÓLNE ŚRODKI OSTROŻNOŚCI

UWAGA:

- Niniejsza instrukcja stanowi integralną część produktu. Należy ją przechowywać w bezpiecznym miejscu w pobliżu urządzenia, a w razie zmiany własności przekazać następnemu użytkownikowi/właścicielowi.
- Niniejsza instrukcja jest także dostępna w dziale obsługi klienta producenta oraz na jego stronie internetowej: www.daikin.eu
- Należy uważnie przeczytać wskazówki i ostrzeżenia zawarte w niniejszej instrukcji, które zawierają ważne informacje dotyczące bezpiecznego montażu, obsługi i konserwacji.

OSTRZEŻENIA DOTYCZĄCE BEZPIECZEŃSTWA

Nie należy używać urządzenia do celów innych niż określone. Producent nie ponosi odpowiedzialności za szkody wynikające z niewłaściwego lub nieprawidłowego użytkowania lub nieprzestrzegania wskazówek podanych w niniejszej instrukcji.

Urządzenie nie powinno być używane przez osoby (w tym dzieci) o obniżonej sprawności fizycznej, sensorycznej lub umysłowej, ani przez osoby bez odpowiedniego doświadczenia lub wiedzy, chyba że zostaną wcześniej odpowiednio poinstruowane, a w czasie używania urządzenia będą pod nadzorem osoby odpowiedzialnej za ich bezpieczeństwo.

Należy dopilnować, aby dzieci nie bawiły się urządzeniem.

Urządzenie może być obsługiwane przez dzieci w wieku lat 8 lub starsze, oraz przez osoby o obniżonej sprawności fizycznej, sensorycznej lub umysłowej, nie mające doświadczenia lub wiedzy, jeśli będą pod odpowiednim nadzorem lub zostaną poinstruowane w zakresie bezpiecznego korzystania z urządzenia i powiadomione o związanych z tym zagrożeniach.

Dzieciom nie wolno bawić się urządzeniem.

Wypływająca z kranu woda podgrzana do temperatury powyżej 50°C może bezpośrednio spowodować poważne oparzenia. Szczególnie narażone są dzieci, niepełnosprawni i osoby starsze. Zaleca się zainstalowanie termostaticznego zaworu mieszającego na rurze doprowadzającej wodę.

Czyszczenie lub konserwacja urządzenia nie mogą być wykonywane przez dzieci bez nadzoru.

Nie należy dotykać urządzenia mokrymi częściami ciała lub będąc boso.

Nie pozostawiać w kontakcie z urządzeniem lub w jego pobliżu żadnych materiałów łatwopalnych.

Należy opróżnić urządzenie, jeśli zostało wycofane z eksploatacji i umieszczone w miejscu narażonym na ujemne temperatury. Opróżnianie należy przeprowadzić zgodnie z opisem podanym w odpowiednim rozdziale.

UWAGI DOTYCZĄCE MONTAŻU

Montaż i rozruch urządzenia powinny zostać przeprowadzone przez wykwalifikowanego technika zgodnie z lokalnymi przepisami oraz przepisami BHP. Przed otwarciem listwy zaciskowej należy odłączyć wszystkie obwody zasilania.

Nieprawidłowy montaż może spowodować zniszczenie mienia oraz obrażenia u osób i zwierząt; producent nie ponosi odpowiedzialności za konsekwencje takich działań.

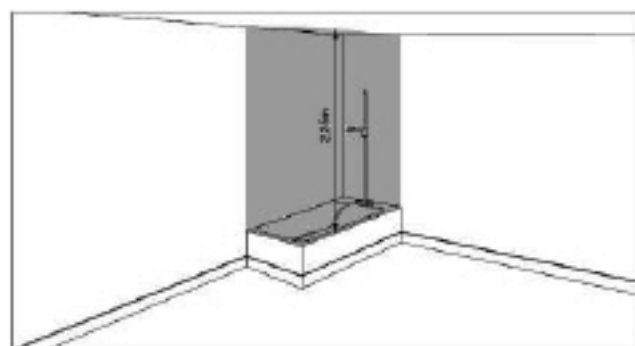
Produkt jest ciężki, w związku z czym podczas przenoszenia należy zachować ostrożność i zainstalować go w pomieszczeniu zabezpieczonym przed mrozem.

Należy upewnić się, że podłoga jest w stanie utrzymać ciężar urządzenia napełnionego wodą.

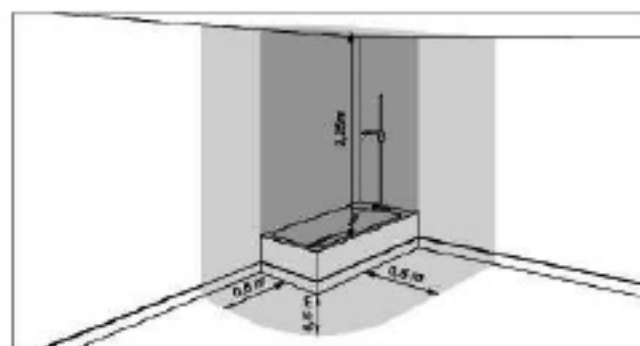
Zniszczenie urządzenia przez nadmierne ciśnienie powstałe w wyniku zablokowania zabezpieczenia spowoduje unieważnienie gwarancji.

OSTRZEŻENIA DOTYCZĄCE MONTAŻU

Instalując produkt w łazience, nie należy tego robić w "przestrzeni zabronionej" i należy przestrzegać co najmniej ograniczeń "przestrzeni chronionej", zgodnie z rysunkami poniżej:



Przestrzeń zabroniona



Przestrzeń chroniona

Produkt należy umieścić w łatwo dostępnym miejscu.

Podgrzewacz wody musi zostać przymocowany do podłogi za pomocą dostarczonych w tym celu wsporników montażowych; kleje nie są uważane za odpowiednie środki montażowe.

Produkt jest przeznaczony do użytku na maksymalnej wysokości 2000 m.

Patrz opis i ilustracje w punktach 6.1, 6.2 i 6.4.

OSTRZEŻENIA DOTYCZĄCE PODŁĄCZANIA WENTYLACJI

Jednoczesna praca otwartego paleniska (np. otwartego kominka) i pompy ciepła powoduje niebezpieczne podciśnienie w pomieszczeniu. W rezultacie może dojść do cofnięcia się spalin do pomieszczenia. Nie należy uruchamiać pompy ciepła razem z otwartym paleniskiem. Należy używać tylko (atestowanych) palenisk z zamkniętą komorą spalania z oddzielnym przewodem powietrza do spalania.

Jeśli nie ma wspólnego dopływu powietrza do spalania z pomieszczeniami mieszkalnymi, drzwi do kotłowni powinny być zamknięte i hermetycznie uszczelnione.

Należy zainstalować odpowiednie kratki ochronne w kanałach wlotu i wylotu powietrza, aby zapobiec dostaniu się ciał obcych do urządzenia.

Patrz opis i ilustracje w punkcie 6.3 "Podłączenie wentylacji".

OSTRZEŻENIA DOTYCZĄCE PRZYŁĄCZY HYDRAULICZNYCH

Do rury doprowadzającej wodę do urządzenia należy przykręcić odpowiednie urządzenie zapobiegające nadmiernemu ciśnieniu (nie należy do wyposażenia). W krajach, które przyjęły normę EN 1487, rurę doprowadzającą wodę do urządzenia należy wyposażyć w urządzenie zabezpieczające zgodne z wyżej wymienioną normą.

Urządzenie takie musi być nowe, mieć średnicę 3/4", być skalibrowane dla maksymalnego ciśnienia 0,7 MPa i obejmować co najmniej kurek, zawór zwrotny, zawór bezpieczeństwa i urządzenie przerywające obciążenie hydrauliczne.

Przy urządzeniu zabezpieczającym nie wolno manipulować i należy je często uruchamiać, aby sprawdzić, czy nie jest zablokowane oraz aby usunąć ewentualny osad kamienny.

Z przewodu tłocznego ciśnieniowego zaworu bezpieczeństwa może kapać woda i powinien on wychodzić na wolne powietrze. Jeśli przewód tłoczny jest podłączony do ciśnieniowego zaworu bezpieczeństwa, musi opadać na całej długości i być zabezpieczony przed mrozem.

Kiedy ciśnienie wody na wlocie przekracza 0,7 MPa (7 barów), wymagany jest reduktor ciśnienia (nie należy do wyposażenia), który należy podłączyć do sieci wodociągowej.

Minimalne ciśnienie wody na wlocie, które umożliwi prawidłową pracę urządzenia, wynosi 0,15 MPa (1,5 bara).

Podłączyć rurkę gumową do odpływu skroplin, nie zginając jej zbyt mocno, aby nie uszkodzić przewodu na skropliny, zgodnie z punktem "6.6.1".

Zarówno na wlocie zimnej wody, jak i na wylocie gorącej wody z urządzenia należy używać tylko sztywnych i odpornych na elektrolizę rur połączeniowych (nie należą do wyposażenia).

W przypadku modeli wyposażonych w wymiennik ciepła (węzownica solarna), ciśnienie w obiegu nie może przekraczać 1,0 MPa (10 barów), a temperatura nie może przekraczać 80°C.

Patrz opis i ilustracje w punkcie 6.6 „Przyłącza hydrauliczne” i w punkcie 6.7 „Integracja z systemem ogrzewania słonecznego”.

OSTRZEŻENIA DOTYCZĄCE POŁĄCZEŃ ELEKTRYCZNYCH

Urządzenie należy zainstalować zgodnie z krajowymi przepisami dotyczącymi instalacji elektrycznych.

Instalacja elektryczna musi zawierać zainstalowany przed urządzeniem bezpiecznik odłączający wszystkie fazy z separacją styków wszystkich biegunów, zdolny zagwarantować pełne odłączenie w sytuacji przeciążenia kategorii III, zgodny z obowiązującymi lokalnymi przepisami dotyczącymi instalacji.

Urządzenie musi zostać zabezpieczone odpowiednim wyłącznikiem różnicowo-prądowym (maks. 30 mA). Typ wyłącznika różnicowo-prądowego należy wybrać w oparciu o typ urządzeń elektrycznych używanych w całym systemie.

Wymagane jest uziemienie. Producent urządzenia nie ponosi odpowiedzialności za jakiegokolwiek szkody spowodowane brakiem uziemienia systemu lub w wyniku anomalii zasilania elektrycznego.

Surowo zabrania się podłączania urządzenia do zasilania sieciowego za pomocą przedłużaczy lub listwy zasilającej.

Przed zdjęciem pokrywy należy upewnić się, że zostało wyłączone zasilanie, aby uniknąć obrażeń lub porażenia prądem elektrycznym.

Patrz opis i ilustracje odpowiednio w punktach 6.8 „Połączenia elektryczne” i 6.9 „Schemat okablowania”.

OSTRZEŻENIA DOTYCZĄCE SERWISOWANIA - KONSERWACJI - ROZWIĄZYWANIA PROBLEMÓW

Wszelkie naprawy, konserwacja, podłączenia hydrauliczne i elektryczne muszą zostać wykonane przez wykwalifikowanych techników wyłącznie przy użyciu oryginalnych części zamiennych. Nieprzestrzeganie powyższych zaleceń może zagrozić bezpieczeństwu urządzenia i zwalnia producenta z jakiegokolwiek odpowiedzialności za konsekwencje takich działań.

Opróżnianie urządzenia: wyłączyć zasilanie i zamknąć dopływ zimnej wody, otworzyć kurki z ciepłą wodą, po czym otworzyć zawór opróżniania urządzenia zabezpieczającego.

Należy regularnie uruchamiać ciśnieniowy zawór bezpieczeństwa, aby usuwać osad kamienny i upewnić się, że nie jest zablokowany.

Urządzenie jest wyposażone w przewód sieciowy, który w razie uszkodzenia musi zostać wymieniony przez producenta, przedstawiciela jego serwisu lub osobę o podobnych kwalifikacjach, aby uniknąć zagrożenia.

Urządzenie zawiera miniaturowy bezpiecznik zwłoczny z wkładką topikową, który w razie uszkodzenia należy wymienić na bezpiecznik "T5AL250V", zgodnie z normą IEC 60127.

Patrz opis i ilustracje odpowiednio w rozdziale 9 "ROZWIĄZYWANIE PROBLEMÓW" i w rozdziale 10 "KONSERWACJA".

2. WPROWADZENIE




Niniejsza instrukcja montażu i konserwacji stanowi integralną część pompy ciepła (w dalszej części nazywanej urządzeniem). Instrukcję należy zachować do późniejszych konsultacji do czasu demontażu urządzenia. Instrukcja jest przeznaczona zarówno dla wykwalifikowanego instalatora (instalatorów – konserwatorów) oraz dla użytkownika końcowego. Opisano w niej procedury instalacji, których należy przestrzegać, aby zapewnić prawidłową i bezpieczną pracę urządzenia, a także metody obsługi i konserwacji.

W przypadku sprzedaży urządzenia lub przekazania go innemu użytkownikowi, instrukcja powinna zostać przekazana wraz z urządzeniem.

Przed instalacją i/lub obsługą urządzenia należy uważnie przeczytać niniejszą instrukcję, a w szczególności rozdział 5 dotyczący bezpieczeństwa.

Instrukcja powinna być przechowywana razem z urządzeniem i powinna być zawsze dostępna dla wykwalifikowanego personelu odpowiedzialnego za instalację i konserwację.

W instrukcji zostały użyte następujące symbole, które mają zwracać uwagę na najważniejsze informacje:

	Ostrożnie
	Wymagane procedury
	Informacje / Sugestie

2.1 Produkty

Szanowny Kliencie, dziękujemy za zakup tego produktu.

Nasza firma zawsze zwraca dużą uwagę na problemy dotyczące środowiska naturalnego i stosuje w swoich produktach technologie i materiały mające mały wpływ na środowisko, zgodnie z normami europejskimi WEEE (2012/19/UE – RoHS 2011/65/UE).

2.2 Wyłączenie odpowiedzialności

Zgodność treści niniejszej instrukcji obsługi ze sprzętem i oprogramowaniem została dokładnie sprawdzona. Niemniej jednak nadal istnieje możliwość wystąpienia pewnych niezgodności, w związku z czym nie ponosimy odpowiedzialności za całkowitą zgodność informacji.

Z uwagi na dążenie do osiągnięcia technicznej perfekcji, zastrzegamy sobie prawo do wprowadzania zmian w budowie lub danych technicznych urządzenia w dowolnym czasie. Dlatego nie przyjmujemy żadnych roszczeń dotyczących zaleceń, rysunków, schematów lub opisów. Niezależnie od zawartych w nich błędów.

Wykonawca nie ponosi odpowiedzialności za szkody będące wynikiem błędnych poleceń, nieprawidłowej lub nieodpowiedniej obsługi, albo konsekwencją nieautoryzowanych napraw lub modyfikacji.

2.3 Język

Instrukcja została napisana w języku włoskim (IT), który jest językiem ojczystym producenta.

Wszelkie tłumaczenia na dodatkowe języki należy wykonywać na podstawie oryginalnej instrukcji.

Producent ponosi odpowiedzialność za informacje zawarte w oryginalnej instrukcji; tłumaczenia na inne języki nie mogą zostać w pełni zweryfikowane, w związku z czym w razie jakichkolwiek rozbieżności należy postępować zgodnie z treścią oryginalnej instrukcji lub skontaktować się z naszym biurem dokumentacji technicznej.

2.4 Prawa autorskie

Niniejsza instrukcja obsługi zawiera informacje chronione przez prawo autorskie. Zabrania się fotokopiowania, powielania, tłumaczenia lub rejestrowania jakiegokolwiek części niniejszej instrukcji obsługi bez wcześniejszej zgody dostawcy. Każde naruszenie wiąże się z zapłatą odszkodowania. Wszelkie prawa, w tym te pochodzące z przyznania patentów lub rejestracji wzorów użytkowych, są zastrzeżone.

2.5 Dostępne wersje i konfiguracje

Niniejsze urządzenie zawiera pompę ciepła o mocy 1,9 kW i może zostać umieszczone w różnych konfiguracjach, odpowiednio do możliwości integracji z dodatkowymi źródłami ciepła (np. ogrzewaniem solarnym) lub w zależności od wydajności bojlera.

Wersja	Opis konfiguracji
EKHHE200CV37 EKHHE260CV37	Powietrzna pompa ciepła do produkcji ciepłej wody użytkowej (CWU)
EKHHE200PCV37 EKHHE260PCV37	Powietrzna pompa ciepła do produkcji CWU, przystosowana do systemu ogrzewania słonecznego.

3. PRZENOSZENIE I TRANSPORT

Urządzenie jest dostarczane w tekturowym kartonie(*). Jest przymocowane do palety za pomocą trzech wkrętów. Do wyładowania urządzenia należy użyć wózka widłowego lub wózka paletowego.

Aby ułatwić odkręcenie wkrętów mocujących, zapakowane urządzenie można położyć poziomo na tylnej ścianie.

Rozpakowywanie należy wykonać ostrożnie, aby nie uszkodzić obudowy urządzenia, jeśli do otwarcia tekturowego opakowania są używane noże.

Po usunięciu opakowania należy upewnić się, że urządzenie nie jest uszkodzone. W razie wątpliwości nie należy używać urządzenia i wezwać autoryzowany personel techniczny.

Zgodnie z przepisami o ochronie środowiska należy dopilnować, aby przed wyrzuceniem opakowania wyjąć wszystkie dostarczone akcesoria.

(*) Uwaga! Wedle uznania producenta, rodzaj opakowania może ulec zmianie.

Przez cały okres, w którym urządzenie pozostaje bezczynne oczekując na rozruch, zaleca się zabezpieczyć je przed czynnikami atmosferycznymi

3.1 Odbiór

Poza urządzeniem, opakowanie zawiera akcesoria i dokumentację techniczną obsługi i montażu. Należy sprawdzić, czy zostały dostarczone następujące elementy:

- 1x instrukcja obsługi, montażu i konserwacji;
- 3x wsporniki montażowe i wkręty;
- 1x termostat (tylko w przypadku modeli EKHHE200PCV3 i EKHHE260PCV3).

Przez cały okres, w którym urządzenie pozostaje bezczynne oczekując na rozruch, zaleca się zabezpieczyć je przed czynnikami atmosferycznymi.

Dozwolone pozycje podczas transportu i przenoszenia

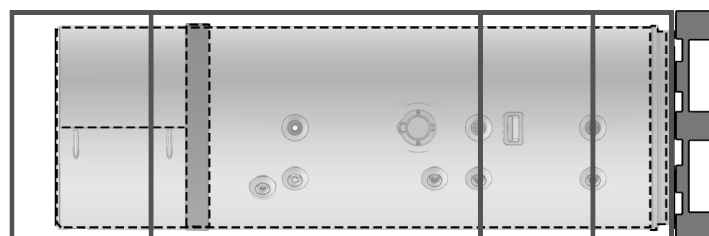


rys. 1

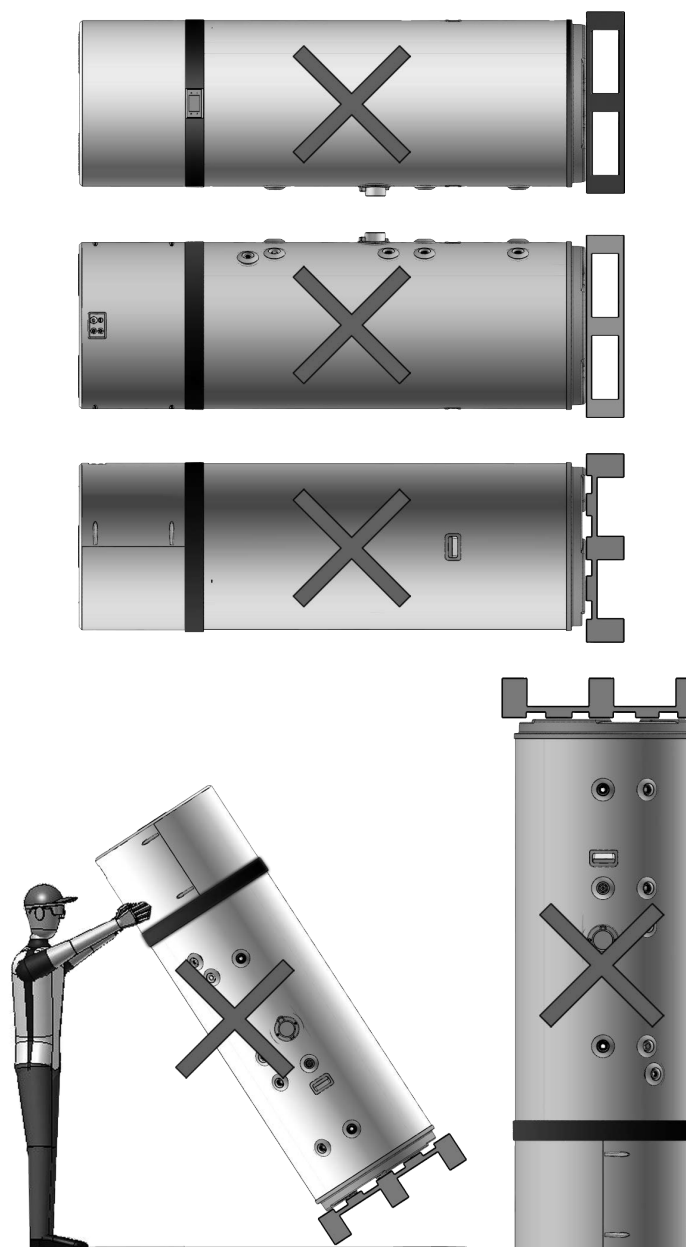
! UWAGA! Podczas przenoszenia i etapów instalacji produktu nie należy narażać górnej części urządzenia na jakiegokolwiek naprężenia, ponieważ nie jest to część konstrukcyjna.

! UWAGA! Urządzenie można transportować poziomo tylko na ostatnim kilometrze, zgodnie z powyższą informacją (patrz "Niedozwolone pozycje podczas transportu i przenoszenia"), podkładając pod nie wsporniki w dolnej części bojlera, aby nie opierało się o część górną, która nie jest częścią konstrukcyjną. Kiedy urządzenie jest transportowane poziomo, wyświetlacz powinien być skierowany do góry.

Pozycja dozwolona tylko na ostatnim kilometrze

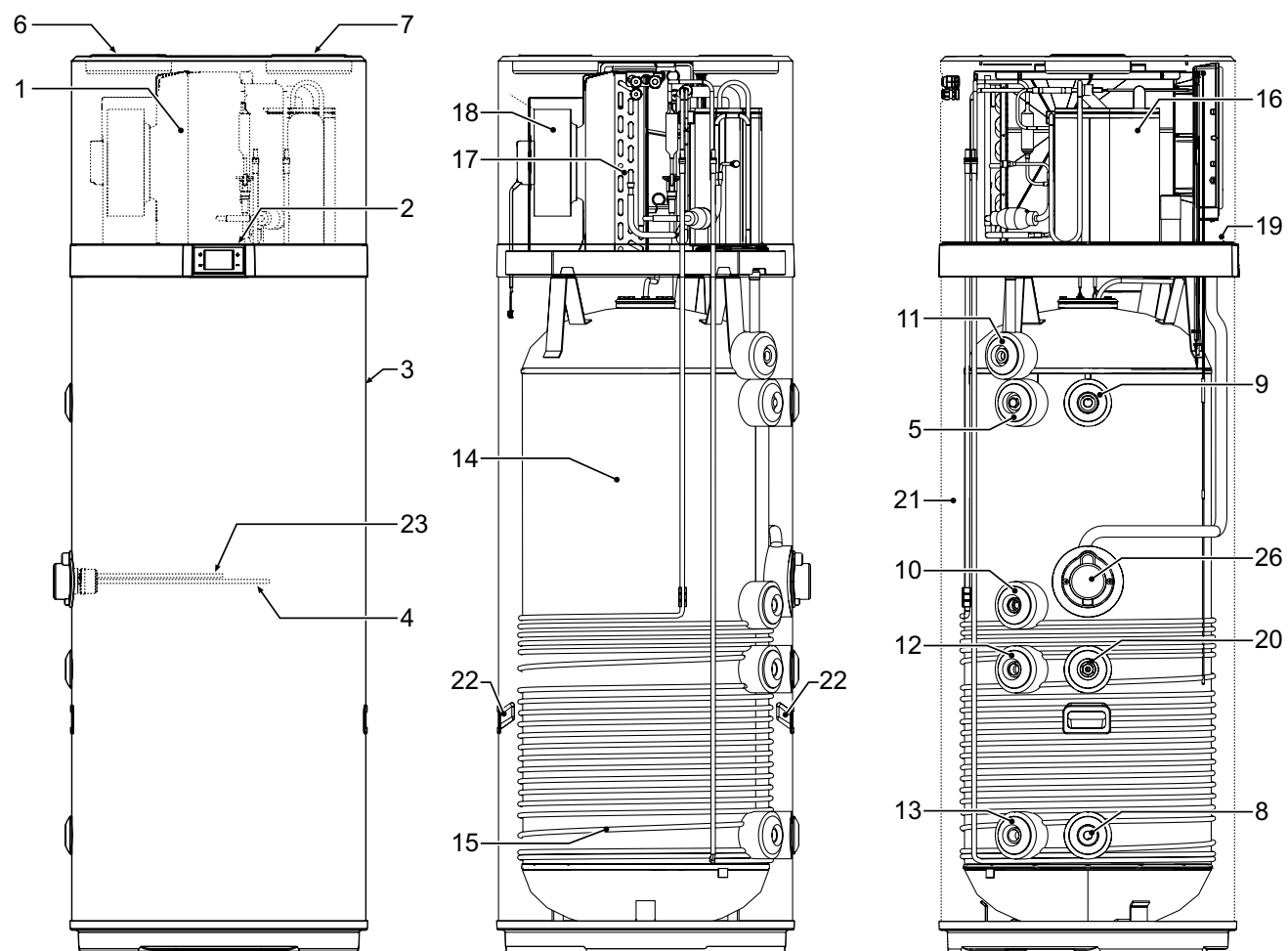


Niedozwolone pozycje podczas transportu i przenoszenia

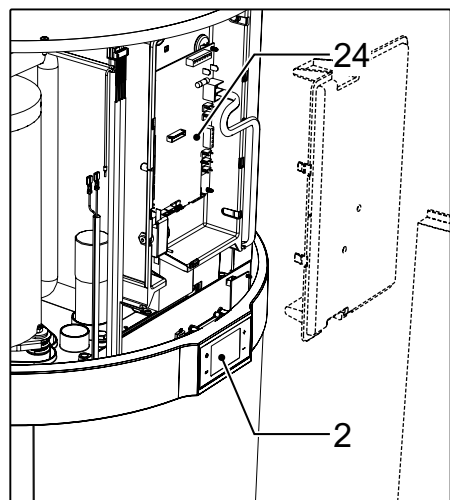


rys. 2

4. ELEMENTY KONSTRUKCYJNE



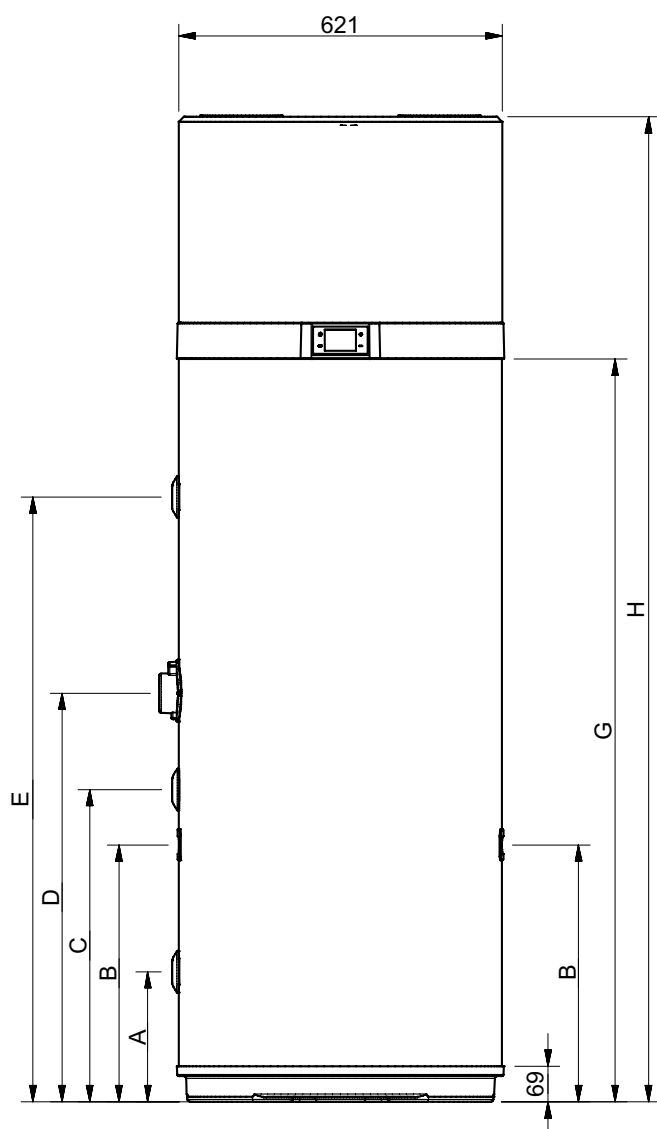
rys. 3



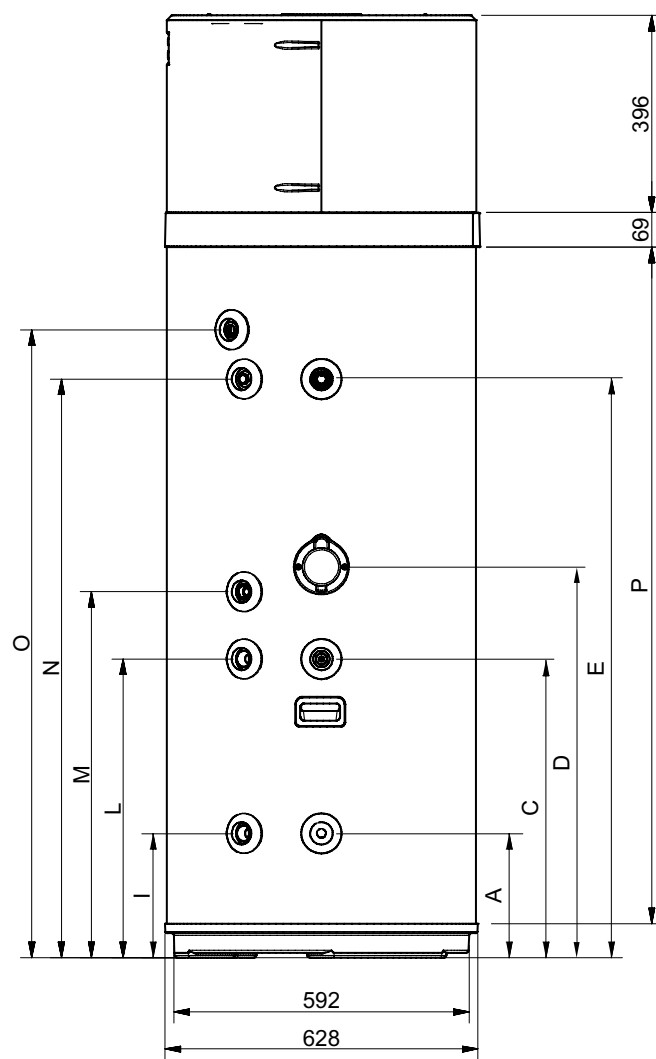
- 1 Pompa ciepła
- 2 Interfejs użytkownika
- 3 Obudowa stalowa
- 4 Grzałka
- 5 Anoda magnezowa
- 6 Wlot powietrza wentylacyjnego (Ø160 mm)
- 7 Wylot powietrza wentylacyjnego (Ø160 mm)
- 8 Złącze wlotowe zimnej wody
- 9 Złącze wylotowe ciepłej wody

- 10 Przygotowanie do recykulacji
- 11 Odływ skroplin
- 12 Przygotowanie do wlotu węzownicy solarnej
*Tylko w przypadku modeli EKHHE200PCV37
EKHHE260PCV37*
- 13 Przygotowanie do wylotu węzownicy solarnej
*Tylko w przypadku modeli EKHHE200PCV37
EKHHE260PCV37*
- 14 Zbiornik stalowy emaliowany zgodnie z normą DIN 4753-3
- 15 Skraplacz
- 16 Sprężarka rotacyjna
- 17 Żebrowany parownik
- 18 Wentylator elektroniczny
- 19 Czujniki bojlera
- 20 Uchwyt na czujnik instalacji solarnej - *Tylko w przypadku modeli EKHHE200PCV37
EKHHE260PCV37*
- 21 Izolacja poliuretanowa
- 22 Uchwyty do przenoszenia
- 23 Rurka termometru termostatu bezpieczeństwa
- 24 Płyta główna
- 26 Otwór dostępowy do grzałki i termometru termostatu bezpieczeństwa

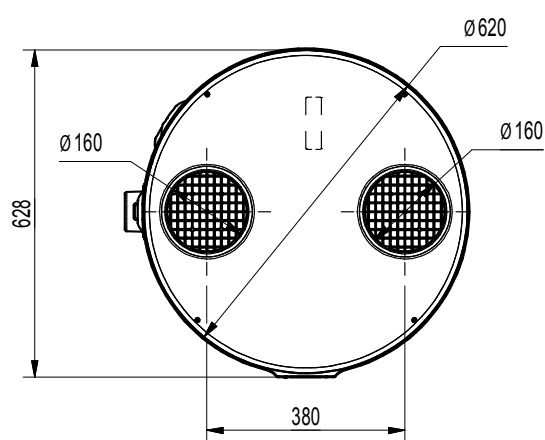
4.1 Dane wymiarowe



rys. 4



rys. 5



rys. 6

MODEL	Ø	EKHHE200PCV37	EKHHE260PCV37	EKHHE200CV37	EKHHE260CV37	JM
A	1"G	250	250	250	250	mm
B	-	490	493	/	/	mm
C	1/2"G	600	600	600	600	mm
D	-	705	785	705	785	mm
E	1"G	876,5	1162	876,5	1162	mm
G	-	1142	1427	1142	1427	mm
H	-	1607	1892	1607	1892	mm
I	3/4"G	250	250	/	/	mm
L	3/4"G	599	600	/	/	mm
M	3/4"G	705	735	705	735	mm
N	3/4"G	877	1162	877	1162	mm
O*	1/2"G	976	1261	976	1261	mm
P	-	1073	1358	1073	1358	mm

*O - Złącze wylotowe z tworzywa sztucznego

4.2 Dane techniczne

Model	EKHHE200CV37	EKHHE260CV37	EKHHE200PCV37	EKHHE260PCV37	J.m.	
Dane ogólne	Napięcie zasilania	230 V AC - 50 Hz				-
	Ilość wody w zbiorniku – V _{nom}	192	250	187	247	dm ³
	Maksymalne ciśnienie wody na wlocie	0,7	0,7	0,7	0,7	MPa
	Masa pustego urządzenia	85	97	96	106	kg
	Masa urządzenia gotowego do pracy	277	347	283	353	kg
	Wymiary (φxh)	621 x 1607	621 x 1892	621 x 1607	621 x 1892	mm
	Maks. temperatura ciepłej wody z pompą ciepła	62	62	62	62	°C
	Maks. temperatura ciepłej wody z dodatkową grzałką elektryczną	75	75	75	75	°C
Zbiornik	Materiał	Stal emaliowana				-
	Zabezpieczenie katodowe	Anoda Mg				-
	Typ izolacji	Poliuretan				-
	Grubość izolacji	50	50	50	50	mm
Parametry elektryczne pompy ciepła	Średnia ilość pobieranej energii podczas ogrzewania	430	430	430	430	W
	Maksymalna pobierana energia	530	530	530	530	W
	Maksymalny prąd pobierany	2,43	2,43	2,43	2,43	A
Parametry elektryczne grzałki elektrycznej	Napięcie zasilania	230 V AC - 50 Hz				-
	Pobierana energia	1500	1500	1500	1500	W
	Prąd pobierany	6,5	6,5	6,5	6,5	A
Parametry elektryczne pompy ciepła + grzałki elektrycznej	Maksymalna pobierana energia	1960	1960	1960	1960	W
	Maksymalny prąd pobierany	8,5	8,5	8,5	8,5	A
Obieg powietrza	Typ wentylatora	Odśrodkowy				-
	Szybkość przepływu powietrza	450	450	450	450	m ³ /h
	Dostępny spręż dyspozycyjny	117	117	117	117	Pa
	Średnica kanałów	160	160	160	160	mm
Obieg czynnika chłodniczego	Sprężarka	Rotacyjna				-
	Czynnik chłodniczy	R134a				-
	Ilość czynnika chłodniczego	1	1	1	1	kg
	Parownik	Wężownica żebrowana miedziano-aluminiowa				-
Wężownica solarna	Skraplacz	Rurka aluminiowa owinięta wokół zbiornika				-
	Materiał	-	-	Stal emaliowana	Stal emaliowana	-
Dane zgodnie z normą EN 16147: 2017 dla klimatu UMIARKOWANEGO (jednostka w trybie ECO, Nastawa ciepłej wody = 55°C; woda na wlocie = 10°C; Temp. powietrza na wlocie = 7°C DB / 6°C WB)	Powierzchnia	-	-	0,72	0,72	m ²
	Maks. ciśnienie	-	-	1	1	MPa
	Profil obciążeń	L	XL	L	XL	-
	Klasa efektywności energetycznej podgrzewania wody *	A+	A+	A+	A+	-
	Efektywność energetyczna podgrzewania wody – η _{wh}	135	138	135	138	%
	COP _{DHW}	3,23	3,37	3,23	3,37	-
	Maksymalna ilość mieszanej wody o temperaturze 40°C – V ₄₀	247	340	241	335	dm ³
* zgodnie z rozporządzeniem europejskim 812/2013	Referencyjna temperatura ciepłej wody – θ' _{wh}	52,5	53,2	52,5	53,2	°C
	Znamionowa moc cieplna – Prated	1,339	1,249	1,339	1,249	kW
	Czas nagrzewania – t _h	06:27	09:29	06:27	09:29	hh:mm
	Roczne zużycie energii elektrycznej – AEC	761	1210	761	1210	kWh
	Pobierana energia w trybie gotowości (P _{es})	26	28	26	28	W
Dane zgodnie z normą EN 12102-2: 2019 dla trybu ECO z temp. powietrza na wlocie = 7°C DB / 6°C WB	Poziom mocy akustycznej w pomieszczeniu	53	51	53	51	dB(A)
	Poziom mocy akustycznej na zewnątrz	45	44	45	44	dB(A)

5. WAŻNE INFORMACJE

5.1 Zgodność z przepisami europejskimi

Prezentowana pompa ciepła jest urządzeniem przeznaczonym do użytku domowego, zgodnie z następującymi dyrektywami europejskimi:

- Dyrektywa 2012/19/UE (WEEE)
- Dyrektywa 2011/65/UE w sprawie ograniczenia stosowania niektórych niebezpiecznych substancji w sprzęcie elektrycznym i elektronicznym (RoHS)
- Dyrektywa 2014/30/UE w sprawie kompatybilności elektromagnetycznej (EMC)
- Dyrektywa 2014/35/UE niskonapięciowa (LVD)
- Dyrektywa 2009/125/WE w sprawie ekoprojektu
- Rozporządzenie 2017/1369/UE w sprawie etykietowania energetycznego

5.2 Stopień ochrony obudowy

Stopień ochrony urządzenia to: **IP24**.

5.3 Ograniczenia robocze



ZAKAZ! Produkt nie został zaprojektowany i nie jest przeznaczony do stosowania w środowiskach niebezpiecznych (z powodu występowania potencjalnego zagrożenia wybuchem – zgodnie z normami ATEX, lub jeśli wymagany stopień IP przekracza zabezpieczenie urządzenia), lub w zastosowaniach, które wymagają cech bezpieczeństwa (odporność na uszkodzenia, niezawodność), takich jak systemy i/lub technologie podtrzymywania życia, lub w jakimkolwiek innym kontekście, w którym usterka mogłaby spowodować śmierć lub obrażenia ciała u osób lub zwierząt albo poważne uszkodzenie mienia lub szkody w środowisku.



UWAGA! Jeśli możliwość wystąpienia usterki lub awarii produktu może spowodować szkody (obrażenia ciała u osób, zwierząt oraz szkody materialne), należy przygotować oddzielny system monitorowania wyposażony w funkcje alarmowe, aby zapobiec takim szkodom. Należy także przygotować system rezerwy na wypadek awarii!

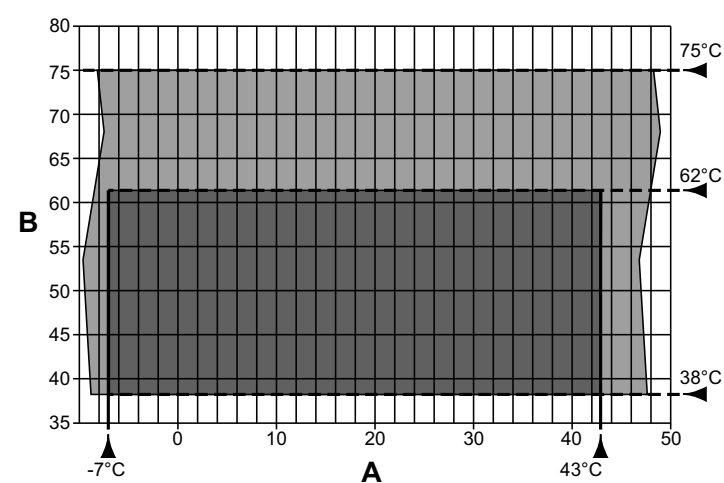


Urządzenie nie zostało zaprojektowane do montażu na zewnątrz, tylko w "zamkniętym" pomieszczeniu, zabezpieczone przed czynnikami atmosferycznymi.

5.4 Ograniczenia robocze

Opisywany produkt jest przeznaczony wyłącznie do podgrzewania ciepłej wody użytkowej do celów sanitarnych w zakresie limitów podanych poniżej. W tym celu należy go podłączyć do układu zasilania wody użytkowej i zasilania elektrycznego (patrz rozdział „6. INSTALACJA I POŁĄCZENIA”).

5.4.1 Zakres temperatury



rys. 7- wykres

A = Temperatura powietrza na wlocie (°C)

B = Temperatura ciepłej wody (°C)

■ = Zakres roboczy dla pompy ciepła (HP)

■ = Integracja tylko z grzałką

5.4.2 Twardość wody

Urządzenie nie powinno pracować z wodą o twardości poniżej 12°F; natomiast w przypadku szczególnie twardej wody (powyżej 25°F) zaleca się zastosowanie odpowiednio skalibrowanego i monitorowanego zmiękczacza wody; w takim przypadku twardość resztkowa wody nie powinna spaść poniżej 15°F.



UWAGA! Na etapie projektowania i konstruowania instalacji należy przestrzegać obowiązujących lokalnych zasad i przepisów.

5.5 Podstawowe zasady bezpieczeństwa

- Produkt powinien być używany przez osoby dorosłe;
- Nie otwierać ani nie rozbierać produktu, kiedy jest podłączony do zasilania elektrycznego;
- Nie dotykać produktu mokrymi lub wilgotnymi częściami ciała, będąc boso;
- Nie polewać ani nie spryskiwać produktu wodą;
- Nie stawać, nie siadać i/lub nie umieszczać żadnych przedmiotów na produkcie.

5.6 Informacje o używanym czynniku chłodniczym

Produkt zawiera fluorowane gazy cieplarniane objęte uzgodnieniami Protokołu z Kioto. Gazów tych nie wolno uwalniać do atmosfery.

Typ czynnika chłodniczego: HFC-R134a.



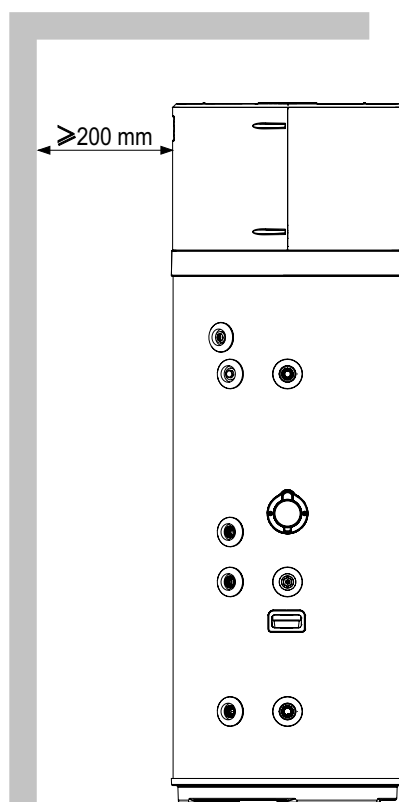
UWAGA! Czynności konserwacyjne i utylizacja powinny być wykonywane tylko przez wykwalifikowany personel.

6. INSTALACJA I POŁĄCZENIA

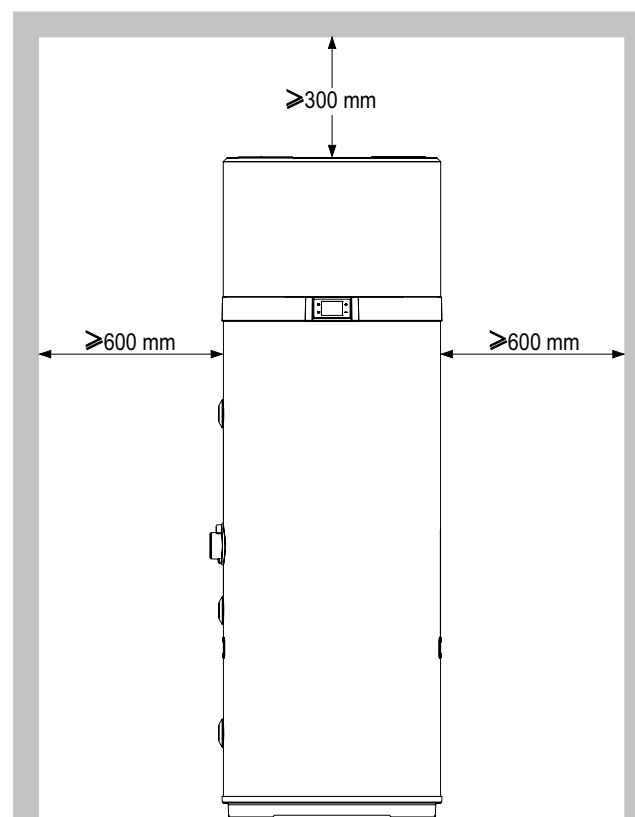
6.1 Przygotowanie miejsca instalacji

Produkt należy zainstalować w odpowiednim miejscu, aby umożliwić normalne czynności obsługowe i regulacyjne, a także standardową i niestandardową konserwację.

Dlatego należy zapewnić wymaganą przestrzeń roboczą, zgodnie z wymiarami podanymi na rys. 8 i rys. 9.



rys. 8- Minimalne odległości



rys. 9- Minimalne odległości

Ponadto, pomieszczenie powinno:

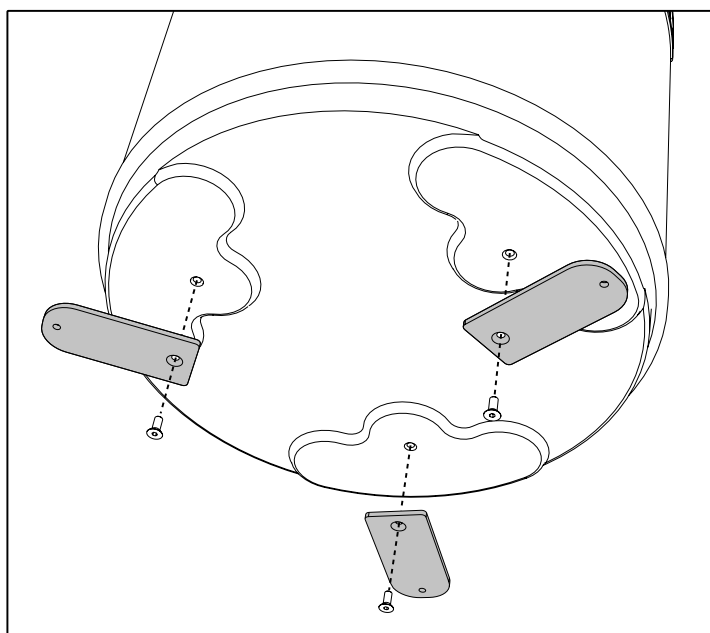
- Być wyposażone w odpowiednie przyłącza wody i zasilania;
- Być przygotowane do podłączenia odpływu skroplin;
- Być wyposażone w odpowiednie odpływy na wypadek uszkodzenia bojlera, zadziałania zaworu bezpieczeństwa lub uszkodzenia rur/złączy;
- Być wyposażone w systemy bezpieczeństwa na wypadek poważnego wycieku wody;
- Być odpowiednio oświetlone (jeśli dotyczy);
- Mieć kubaturę co najmniej 20 m³;
- Być zabezpieczone przed mrozem i suchą.



UWAGA! Aby zapobiec przenoszeniu drgań mechanicznych, nie należy instalować urządzenia na podłogach opartych na belkach drewnianych (np. na poddaszu).

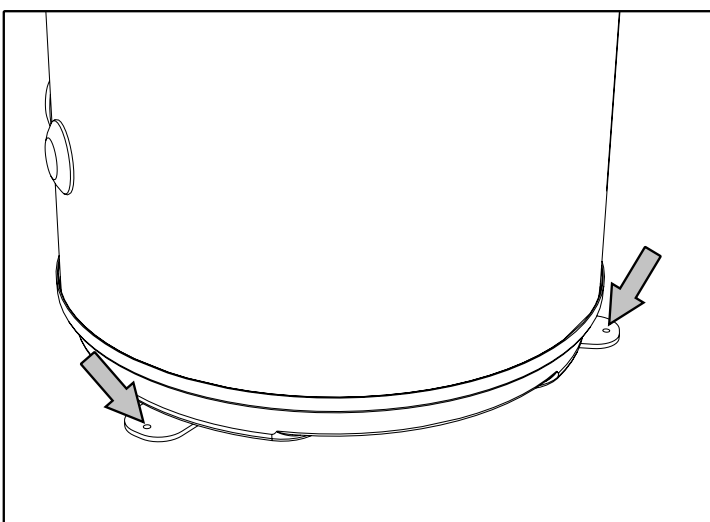
6.2 Mocowanie do podłogi

Aby przymocować produkt do podłogi, należy przykręcić dostarczone wsporniki, zgodnie z rys. 10.



rys. 10- Wsporniki montażowe

Następnie należy przymocować urządzenie do podłogi za pomocą odpowiednich kołków (nie należą do wyposażenia) zgodnie z rys. 11.

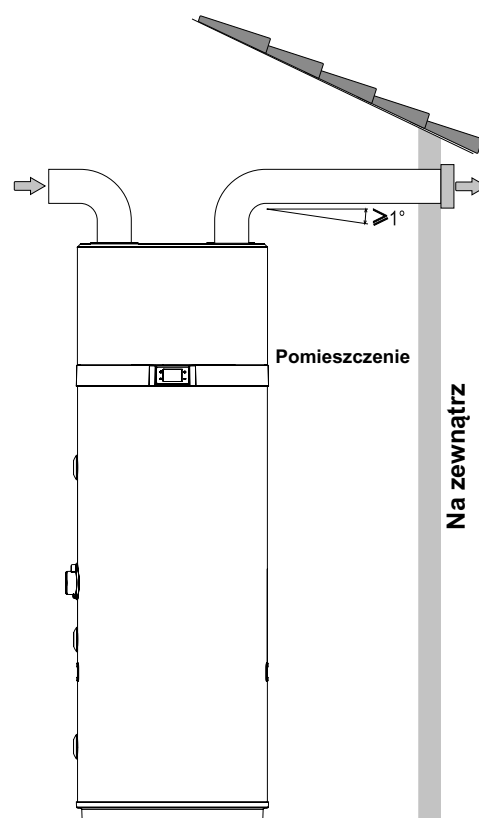


rys. 11- Mocowanie do podłogi

6.3 Podłączenie wentylacji

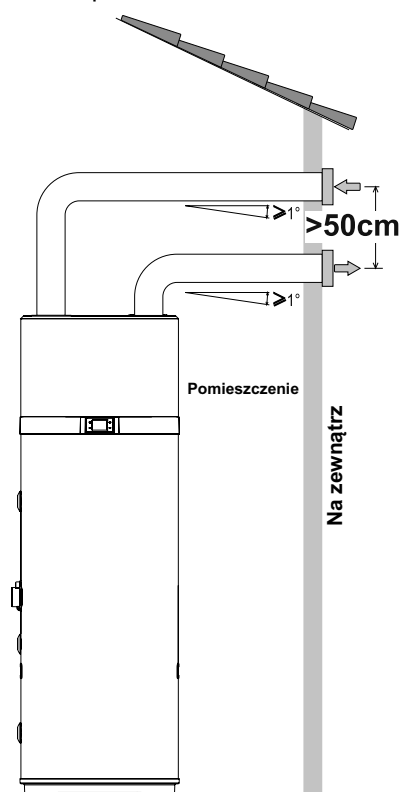
Oprócz miejsca podanego w punkcie 6.1, pompa ciepła wymaga odpowiedniej wentylacji.

Należy przygotować dedykowany kanał wentylacyjny, zgodnie z rys. 12.



rys. 12- Przykładowe podłączenie wylotu powietrza

Należy także zapewnić odpowiednią wentylację pomieszczenia, w którym urządzenie ma zostać zainstalowane. Alternatywne rozwiązanie zostało przedstawione na rysunku poniżej (rys. 13): obejmuje ono drugi kanał, który zasysa powietrze z zewnątrz, a nie bezpośrednio z pomieszczenia.



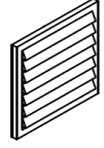


rys. 13- Przykładowe podłączenie wylotu powietrza

Należy wykonać instalację każdego kanału wentylacyjnego pamiętając, aby:

- Jego masa nie działała niekorzystnie na urządzenie.
- Umożliwił czynności konserwacyjne.
- Odpowiednio go zabezpieczyć, aby zapobiec przypadkowemu dostaniu się materiałów do wnętrza urządzenia.
- Podłączenie prowadzące na zewnątrz należy wykonać z odpowiednich niepalnych przewodów rurowych.
- Całkowita równoważna długość rur wyciągowych i zasilających wraz z kratkami nie może przekraczać 12 m.

Tabela zawiera dane techniczne dostępnych w sprzedaży elementów kanałowych z podaniem nominalnych przepływów powietrza i średnic 160 mm.

Dane	Rura gładka prosta	Kolano gładkie 90°	Kratka	JM
Typ				
Długość użyteczna	1	1	1	m
Długość równoważna	1	2	2	m

i Jeśli nie zostanie wykonany kanał powietrza prowadzący na zewnątrz, pompa ciepła ma tendencję do obniżania temperatury pomieszczenia w trakcie pracy.

i Należy zainstalować odpowiednią kratkę ochronną w kanale wywiewnym odprowadzającym powietrze na zewnątrz, aby zapobiec dostawaniu się ciał obcych do wnętrza urządzenia. Aby zapewnić maksymalną wydajność produktu, wybrana kratka powinna zapewniać mały spadek ciśnienia.

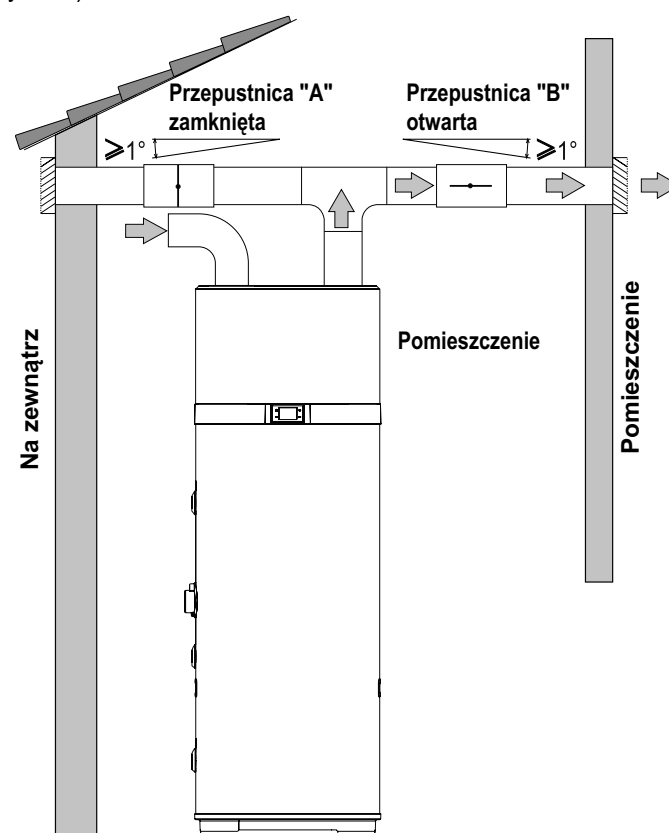
i Aby zapobiec powstawaniu skroplin: należy zaizolować kanały wywiewne powietrza i złącza pokrywy kanału wentylacyjnego paroszczelną okładziną termiczną o odpowiedniej grubości.

i W razie potrzeby należy zainstalować tłumiki, aby zapobiec przenoszeniu hałasu. Przewody, otwory wylotowe w ścianie i złącza pompy ciepła należy wyposażyć w systemy tłumienia drgań.

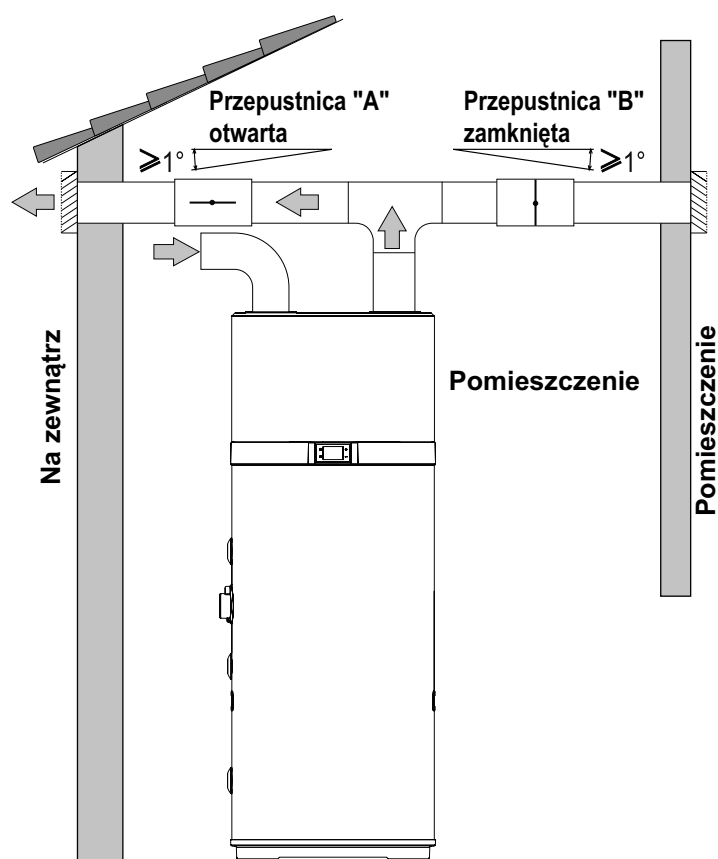
6.3.1 Szczególne warunki instalacji

Jedną z cech charakterystycznych systemów ogrzewania pompą ciepła jest to, że urządzenia te powodują znaczny spadek temperatury powietrza, które jest zazwyczaj usuwane z budynku. Poza tym, że wywiewane powietrze ma niższą temperaturę od powietrza otoczenia, jest także całkowicie suche; z tego powodu można wprowadzić je z powrotem do budynku, aby chłodzić określone strefy lub pomieszczenia w okresie letnim.

Instalacja zawiera rozgałęziony kanał wywiewny wyposażony w dwie przepustnice ("A" i "B"), które mają kierować przepływ powietrza na zewnątrz (rys. 15) lub do wnętrza budynku (rys. 14).



rys. 14- Przykład instalacji w okresie letnim



rys. 15- Przykład instalacji w okresie zimowym

6.4 Mocowanie i podłączanie urządzenia

Produkt należy zainstalować na stabilnej, płaskiej podłodze, która nie jest narażona na drgania.

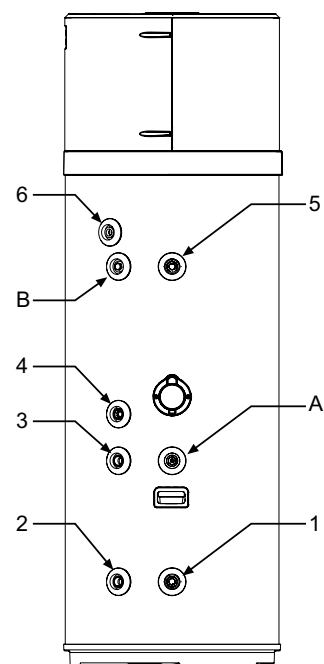
6.5 Przyłącza hydrauliczne

Podłączyć rurę doprowadzającą zimną wodę i rurę odprowadzającą do odpowiednich przyłączy (rys. 16).

Tabela poniżej przedstawia parametry przyłączy.

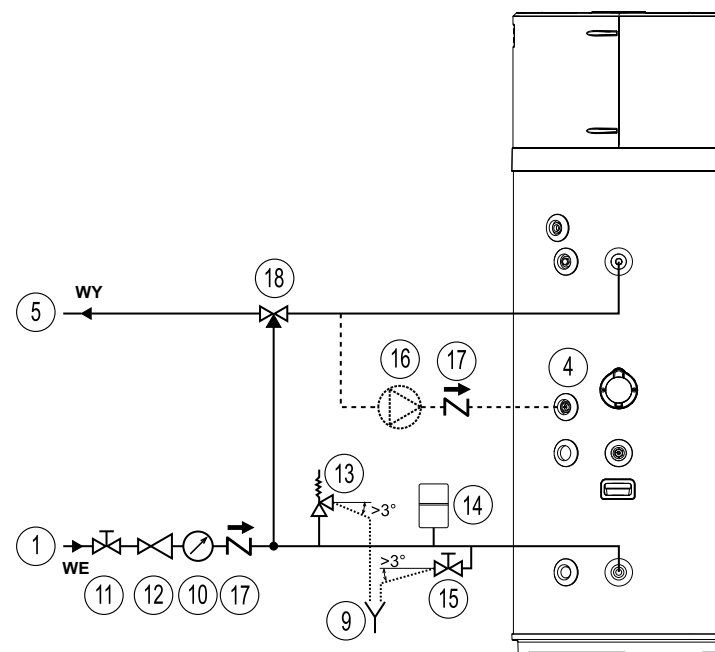
Poz.	Funkcja	Model 200 l / 260 l
1	Wlot zimnej wody	1" G
2 *	Wylot węzownicy solarnej	3/4" G
3 *	Wlot węzownicy solarnej	3/4" G
4	Recyrkulacja	3/4" G
5	Wylot ciepłej wody	1" G
6	Odpływ skroplin	1/2" G
A *	Otwór na czujnik instalacji solarnej i termometr termostatu	1/2" G

*: tylko modele EKHHE200PCV37 i EKHHE260PCV37.



rys. 16

Następujący rysunek (rys. 17) przedstawia przykładowe przyłącze instalacji wodociągowej.



rys. 17- Przykładowy system instalacji wodociągowej

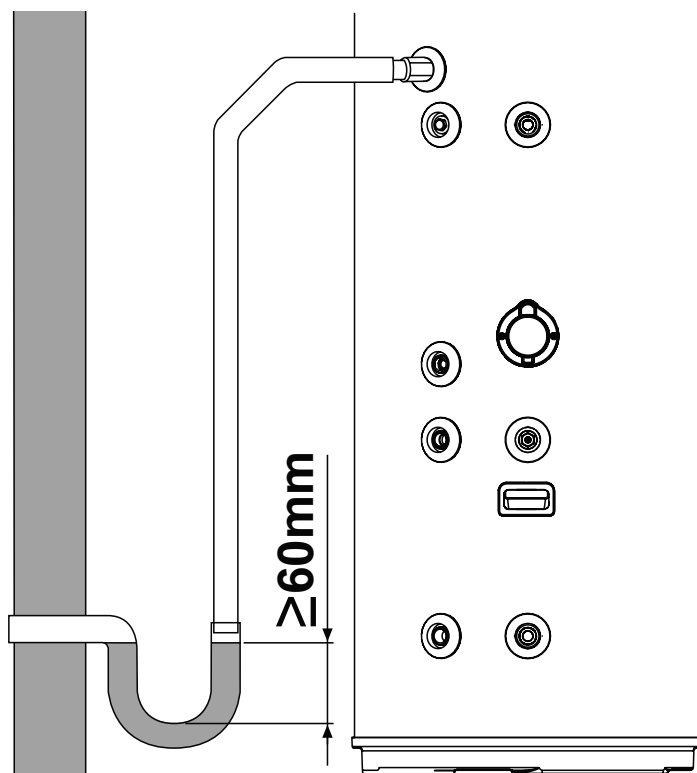
Legenda (rys. 17)

- | | |
|--|---|
| 1 Rura doprowadzająca wodę | 13 Zawór bezpieczeństwa |
| 4 Wlot wody recyrkulacji | 14 Zbiornik rozprężny |
| 5 Rura odprowadzająca ciepłą wodę | 15 Kurek spustowy |
| 9 Kontrolowany koniec przewodu tłocznego | 16 Pompa recyrkulacyjna |
| 10 Manometr | 17 Sprężynowy zawór zwrotny |
| 11 Zawór odcinający | 18 Automataczne termostacyjne urządzenie mieszające |
| 12 Regulator ciśnienia | |

6.5.1 Przyłącze odpływu skroplin

Skropliny powstające w czasie pracy pompy ciepła przepływają przez odpowiedni przewód na skropliny (1/2" G), który biegnie wewnątrz okładziny i wychodzi z boku urządzenia.

Aby umożliwić swobodny odpływ skroplin, należy go podłączyć do przewodu przez syfon (rys. 18).

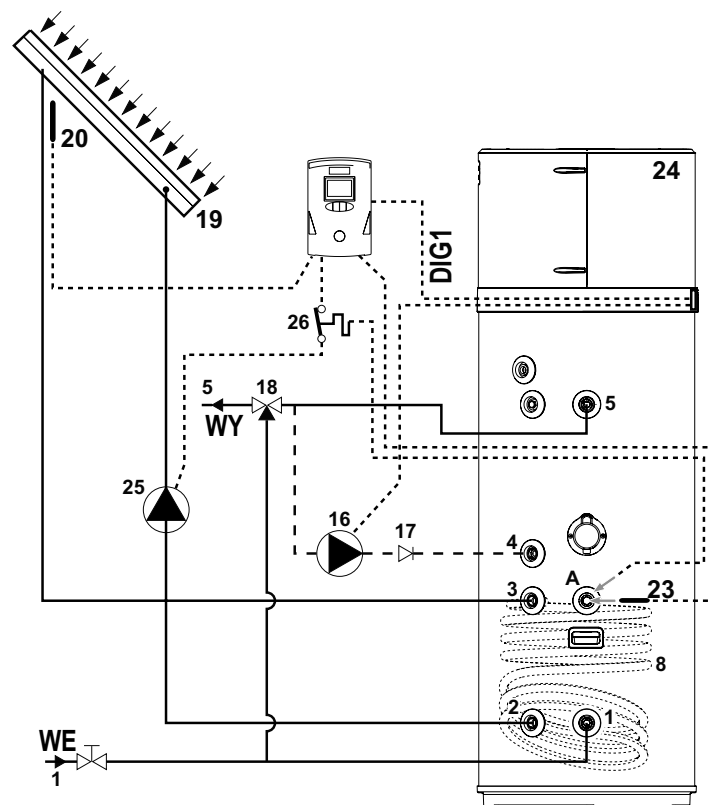


rys. 18- Przykłady przyłącza odpływu skroplin przez syfon

6.6 Integracja z systemem ogrzewania słonecznego (tylko modele EKHHE200PCV37 i EKHHE260PCV37)

Następujący rysunek (rys. 19) pokazuje, jak podłączyć urządzenie do systemu ogrzewania słonecznego sterowanego przez dedykowany sterownik elektroniczny (nie należy do wyposażenia), wyposażony w wyjście typu "styki beznapięciowy", które należy podłączyć do wejścia DIG.1 urządzenia (patrz „6.7.1 Połączenia dodatkowe”).

Aby móc używać urządzenia w tej konfiguracji, należy ustawić parametr **P16 = 1** (patrz punkt 8.1).



rys. 19

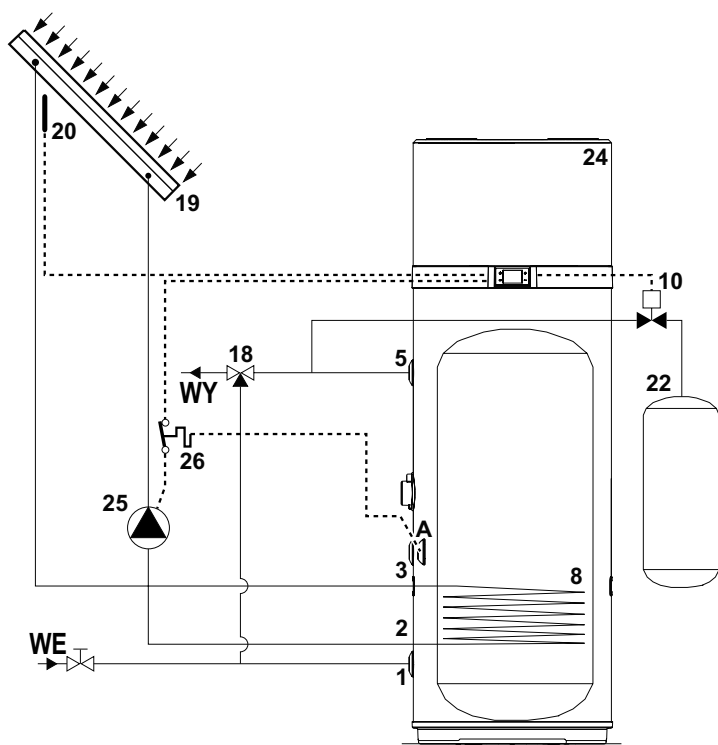
Następujące rysunki (rys. 20 i rys. 21) pokazują, jak podłączyć urządzenie do systemu ogrzewania słonecznego sterowanego bezpośrednio przez ten system, bez pomocy dedykowanego sterownika elektronicznego.

W konfiguracji rys. 20, w przypadku nadmiernego wzrostu temperatury kolektora słonecznego, uruchamia się zawór opróżniania (nie należy do wyposażenia), aby przepompować ciepłą wodę znajdującą się w urządzeniu do zbiornika CWU (buforowego).

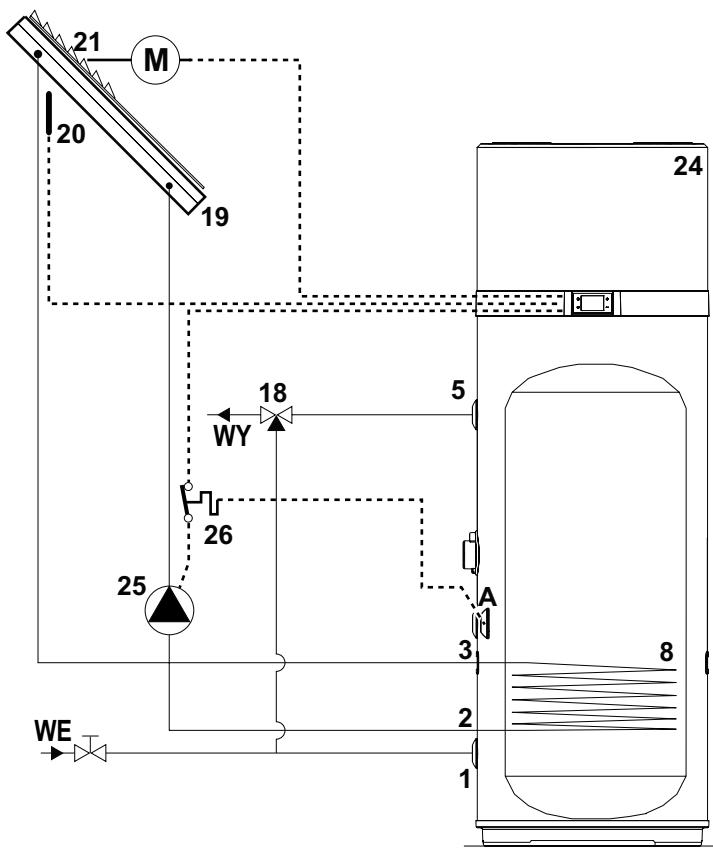
Natomiast w konfiguracji rys. 21 w takiej sytuacji roleta kolektora słonecznego zamyka się.

W obu przypadkach dzieje się tak, aby kolektor mógł ostygnąć.

Aby używać urządzenia w obu tych konfiguracjach, należy ustawić parametr **P12 = 2** i **P16 = 2** (patrz punkt 8.1).



rys. 20



rys. 21

Legenda (rys. 19, rys. 20 i rys. 21)

- | | |
|--|--|
| 1 Wlot zimnej wody | 20 Czujnik kolektora słonecznego (PT1000 nie należy do wyposażenia*) |
| 2 Wylot węzownicy solarnej | 21 Roleta kolektora słonecznego |
| 3 Wlot węzownicy solarnej | 22 Bufor CWU |
| 4 Recyrkulacja | 23 Czujnik węzownicy solarnej (nie należy do wyposażenia) |
| 5 Wylot ciepłej wody | 24 Pompa ciepła |
| 8 Węzownica ogrzewania słonecznego | 25 Pompa solarna (typ WŁ./WYŁ.) |
| 10 Zawór opróżniania | 26 Termostat (należy do wyposażenia) pompy solarnej |
| 16 Pompa recyrkulacyjna (typ WŁ./WYŁ.) | A Otwór na czujnik instalacji solarnej i termometr termostatu |
| 17 Zawór zwrotny | |
| 18 Automatyczne termostatische urządzenie mieszające | |
| 19 Kolektor słoneczny | |

* Zalecamy używanie czujnika kolektora słonecznego PT1000 (dostępny na liście akcesoriów producenta)

6.7 Połączenia elektryczne

Przed podłączeniem urządzenia do zasilania sieciowego należy sprawdzić, czy instalacja elektryczna jest zgodna z obowiązującymi przepisami i czy jest odpowiednio przystosowana do maksymalnych wartości poboru mocy podgrzewacza wody (patrz dane techniczne w punkcie 4.2) w zakresie wielkości kabli i ich zgodności z obowiązującymi przepisami.

Urządzenie jest dostarczane z przewodem zasilającym z wtyczką Schuko (rys. 23), a w celu podłączenia go do zasilania sieciowego są wymagane:

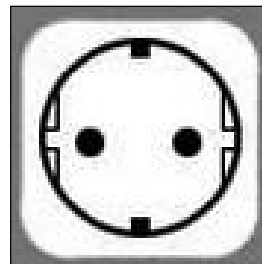
- uziemione gniazdo ściennie Schuko z oddzielnym zabezpieczeniem (rys. 22);
- wyłącznik wielobiegunowy 16 A o minimalnym rozwarciu styku co najmniej 3 mm;
- wyłącznik różnicowo-prądowy 30 mA.

Zabrania się używania rozgałęźników, przedłużaczy lub adapterów.

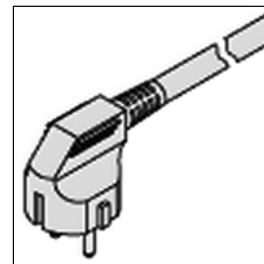
Zabrania się używania rur wodociągowych, grzewczych i gazowych do uziemienia urządzenia.

Przed rozpoczęciem obsługi urządzenia należy upewnić się, że napięcie zasilania w sieci elektrycznej odpowiada wartości podanej na tabliczce znamionowej urządzenia.

Producent urządzenia nie ponosi odpowiedzialności za jakiegokolwiek szkody spowodowane brakiem uziemienia systemu lub w wyniku anomalii zasilania elektrycznego.



rys. 22 - Gniazdo Schuko



rys. 23 - Wtyczka urządzenia

6.7.1 Połączenia dodatkowe

Urządzenie jest zaprojektowane do połączenia z innymi dodatkowymi systemami energii lub licznikami energii (system ogrzewania słonecznego, system fotowoltaiczny, tryb ulgowy)

WEJŚCIA

- Cyfrowe 1 (**DIG1**). Wejście cyfrowe systemu ogrzewania słonecznego (tylko w przypadku modeli **PCV3**). W przypadku systemu ogrzewania słonecznego z dedykowanym sterownikiem, sterownik może zostać podłączony do urządzenia, aby wyłączać pompę ciepła, kiedy energia jest wytwarzana przez źródło solarne. Styk beznapięciowy, który zamyka się, kiedy system solarny jest aktywny, można podłączyć do dwóch przewodów: **białego** i **brązowego** kabla 6-żyłowego dostarczonego z urządzeniem.

Aby aktywować opcję z systemem ogrzewania słonecznego, należy ustawić parametr **P16 = 1**.

- Cyfrowe 2 (**DIG2**). Wejście cyfrowe systemu fotowoltaicznego. W przypadku podłączenia systemu fotowoltaicznego do instalacji, można go wykorzystać do odejmowania energii w postaci ciepłej wody w czasie nadmiernej produkcji. Jeśli występuje styk beznapięciowy, np. z inwertera, który zamyka się, kiedy dojdzie do nadmiernej produkcji energii, można go podłączyć do dwóch przewodów: **zielonego** i **żółtego** kabla 6-żyłowego dostarczonego z urządzeniem.

Aby aktywować opcję z systemem fotowoltaicznym, należy ustawić parametr **P23 = 1**.

- Cyfrowe 3 (**DIG3**). Wejście trybu ulgowego. Ta funkcja, dostępna tylko w niektórych krajach, umożliwia aktywację urządzenia tylko wtedy, gdy występuje sygnał z zewnątrz z taryfą o korzystnej stawce. Jeśli stycznik elektryczny ma styk beznapięciowy, który zamyka się, kiedy jest dostępna taryfa o korzystnej stawce, można go podłączyć do dwóch przewodów: **różowego** i **szarego** kabla 6-żyłowego dostarczonego z urządzeniem.

Aby aktywować tryb ulgowy w trybie ECO, należy ustawić parametr **P24 = 1**, lub **P24 = 2**, aby aktywować tryb ulgowy w trybie AUTO.

- Wejście cyfrowe (**LPSW**) dla przełącznika przepływu systemu ogrzewania słonecznego / pompy cyrkulacyjnej CWU (nie należy do wyposażenia)
- Wejścia analogowe (**PT1000**) czujnika kolektora słonecznego.

WYJŚCIA

Wyjście przekaźnikowe 230 V AC - 16 A ze stykiem NO dla systemu ogrzewania słonecznego / pompy recyrkulacyjnej / cyrkulacyjnej CWU (typ WŁ./WYŁ.).

Wyjście przekaźnikowe 230 V AC - 5 A ze stykiem NO dla rolety kolektora słonecznego / zaworu opróżniania.

Tylko w przypadku modeli **PCV3**

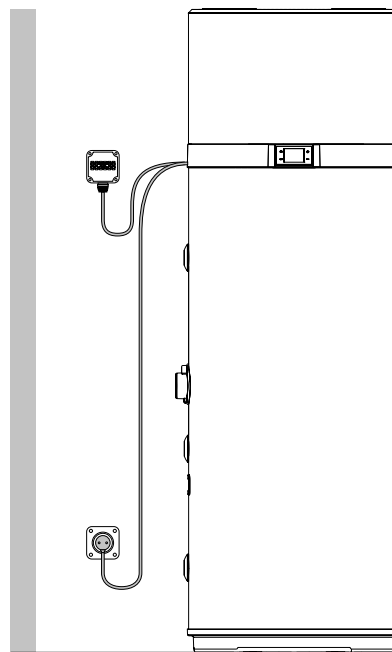


Uwaga! Więcej informacji na temat połączeń dodatkowych i konfiguracji urządzenia z tymi systemami zawierają punkty „7.5 Tryb pracy” i „8.1.1 Lista parametrów urządzenia”.

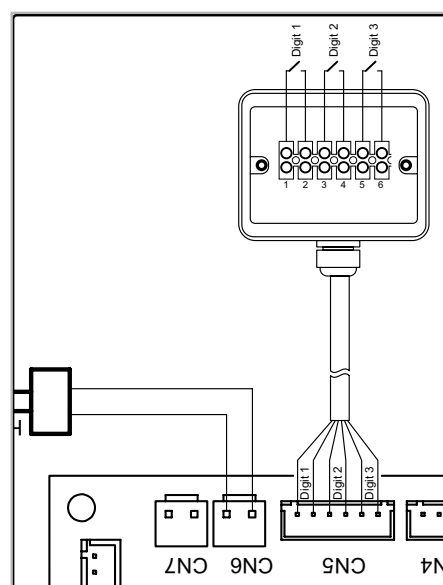
6.7.1.1 Połączenie dodatkowe

Jeśli chodzi o połączenia z wejściami cyfrowymi, urządzenie jest wyposażone w dodatkowy kabel 6-żyłowy, który został już podłączony do płytki drukowanej interfejsu użytkownika (umieszczonej wewnątrz urządzenia). Połączenia dodatkowe z dostępnymi systemami energii muszą zostać wykonane przez wykwalifikowanego instalatora (puszki połączeniowe, zaciski i przewody połączeniowe).

Następujące rysunki przedstawiają przykładowe połączenie dodatkowe (rys. 24 i rys. 25), którego długość nie może przekraczać **3 m**.



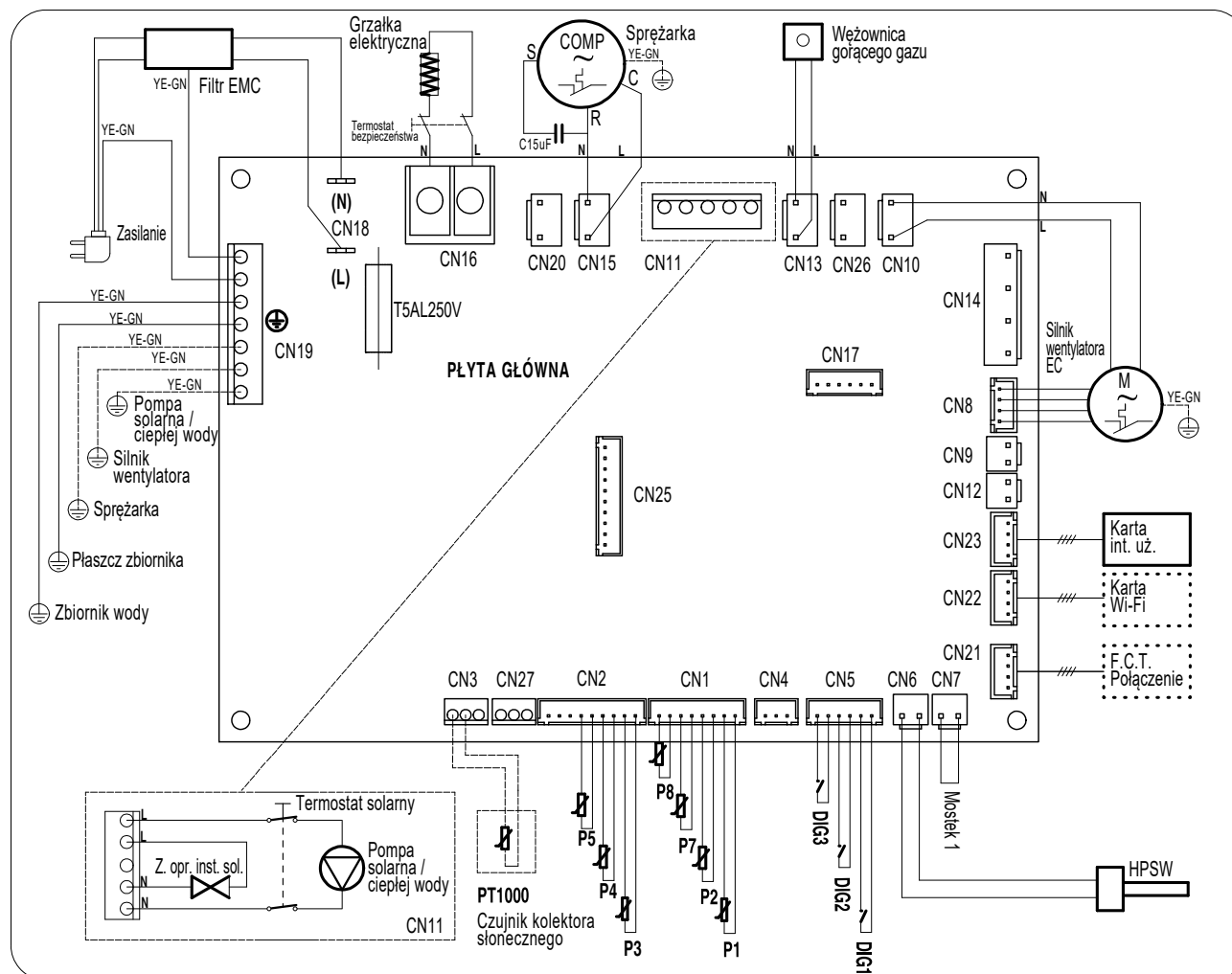
rys. 24- Przykład połączenia dodatkowego



rys. 25

Aby uzyskać dostęp do kabla 6-żyłowego do połączenia dodatkowego, należy zdjąć górną pokrywę bojlera i wyjąć na zewnątrz znajdujący się w urządzeniu kabel przez specjalny przepust na kabłe w tylnej pokrywie.

6.8 Schemat okablowania



rys. 26- Schemat okablowania urządzenia

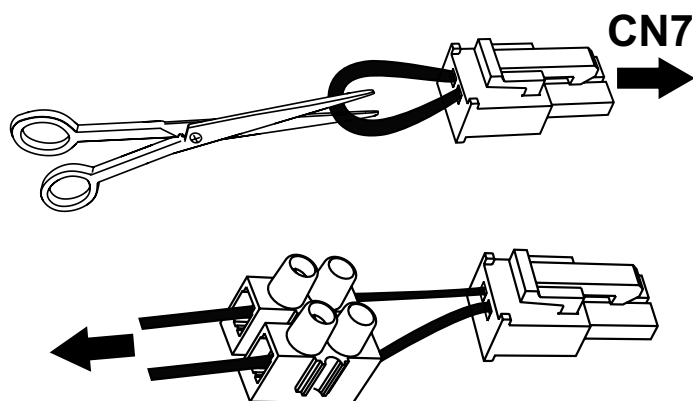
Opis połączeń dostępnych na płycie głównej

CN1	Czujniki NTC powietrza, odszraniania i wody	CN11	System ogrzewania słonecznego / pompa cyrkulacyjna CWU (typ WŁ.WYŁ.), zawór opróżniania lub roleta kolektora słonecznego – <i>Tylko w przypadku modeli PCV3</i>
CN2	Nie używane	CN13	Zasilanie zaworu odszraniania gorącym gazem
CN3	Czujnik do zarządzania systemem ogrzewania słonecznego – <i>Tylko w przypadku modeli PCV3</i>	CN14	Nie używane
CN4	Nie używane	CN15	Zasilanie sprężarki
CN5	Wejścia cyfrowe systemu słonecznej energii cieplnej, systemu fotowoltaicznego, trybu ulgowego	CN16	Zasilanie grzałki
CN6	Przełącznik wysokiego ciśnienia	CN17	Nie używane
CN7	Przełącznik przepływu systemu ogrzewania słonecznego / pompy cyrkulacyjnej CWU (nie należy do wyposażenia)	CN18	Zasilanie główne 230 V - 1 PH - 50 Hz
CN8	Sterownik PWM wentylatora elektronicznego (EC)	CN19	Podłączenia uziemienia
CN9+	Nie używane	CN20	Zasilanie 230 V AC systemu anodowego z prądem z zewnętrznego źródła
CN12		CN21	Złącze dla przewodu kontroli/testu końcowego
CN10	Zasilanie wentylatora EC, AC	CN22	Złącze karty Wi-Fi (nie należy do wyposażenia)
		CN23	Złącze interfejsu użytkownika
		CN25	Nie używane

Aby podłączyć wyłączający przełącznik przepływu systemu ogrzewania słonecznego / obiegu recyrkulacji ciepłej wody do urządzenia, należy wykonać poniższe czynności (zarezerwowane wyłącznie dla wykwalifikowanego personelu technicznego):

- Odłączyć zasilanie urządzenia.
- Zdjąć górną pokrywę urządzenia, a następnie pokrywę płyty głównej.
- Odłączyć "zworkę" (mostek 1) od złącza CN7 płyty głównej, po czym przeciąć przewód tworzący mostek w połowie i podłączyć odpowiedni zacisk.
- Następnie podłączyć przełącznik przepływu typu NC (normalnie zamknięty) oraz pozostałe elementy do CN7.
- Założyć wszystkie pokrywy i upewnić się, że urządzenie jest prawidłowo zainstalowane przed włączeniem zasilania.

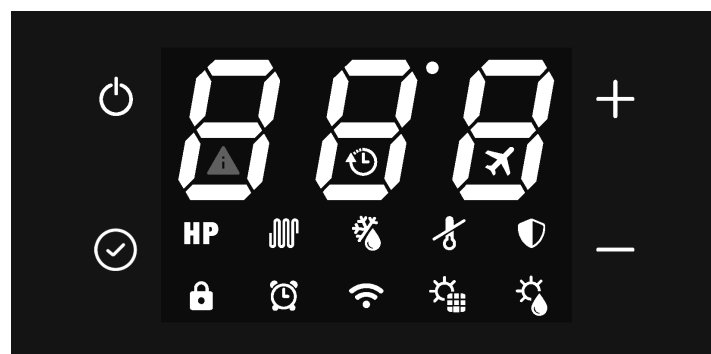
Jeśli zostanie użyty przełącznik przepływu typu NO (normalnie otwarty), należy ustawić parametr **P15 = 1** (patrz punkt 8.1).



Aby podłączyć termostat (należy do wyposażenia) pompy cyrkulacyjnej systemu solarnego, należy wykonać poniższe czynności (zarezerwowane wyłącznie dla wykwalifikowanego personelu technicznego):

- Odłączyć zasilanie urządzenia;
- Umieścić cały termometr w dedykowanym otworze w zbiorniku ("A") i zamknąć przepust na kable;
- Rozwinąć kapilarę na tyle, aby można było umieścić termostat w odpowiedniej obudowie przymocowanej do ściany;
- Połączyć termostat szeregowo z przewodem fazowym ("L") i neutralnym ("N") złącza zasilania pompy cyrkulacyjnej systemu solarnego bezpiecznika odłączającego wszystkie fazy.
- Sprawdzić wszystkie połączenia przed włączeniem zasilania urządzenia.

7. OPIS INTERFEJSU UŻYTKOWNIKA I OBSŁUGI URZĄDZENIA



rys. 27

Opis	Symbol
Przycisk "WŁ./WYŁ." do włączania/wyłączania, który przełącza produkt w tryb gotowości, odblokowuje przyciski i zapisuje zmiany	
Przycisk "Ustaw" do edycji i zatwierdzania wartości parametrów;	
Przycisk "Zwiększ" do zwiększania wartości nastaw, parametrów lub hasła	
Przycisk "Zmniejsz" do zmniejszania wartości nastaw, parametrów lub hasła	
Praca pompy ciepła (tryb ECO)	HP
Praca grzałki (tryb ELEKTRYCZNY)	
Tryb AUTOMATYCZNY	HP +
Tryb SZYBKE PODGRZANIE WODY (symbole pulsują)	HP +
Włączona blokada przycisków	
Odszranianie	
Ochrona przeciwzamrożeniowa	
Cykl Antylegionella	
Tryb urlopu;	
Praca z przedziałami czasu	
Ustawianie zegara (symbol pulsuje)	
Połączono z Wi-Fi (nie dostępne w tych modelach)	
Tryb fotowoltaiczny (pulsowanie symbolu oznacza, że opcja jest nieaktywna)	
Tryb ogrzewania słonecznego (pulsowanie symbolu oznacza, że opcja jest nieaktywna)	
Usterka lub aktywne zabezpieczenie	
Tryb ulgowy (pulsowanie symbolu oznacza, że urządzenie jest w trybie gotowości)	

Interfejs użytkownika w tym modelu podgrzewacza wody zawiera cztery przyciski dotykowe i wyświetlacz LED.

Bezpośrednio po włączeniu podgrzewacza wody, cztery przyciski zostają podświetlone, a wszystkie ikony i segmenty wyświetlacza włączają się jednocześnie na 3 sekundy.

W czasie normalnej pracy produktu trzy cyfry na wyświetlaczu pokazują temperaturę wody w °C, zmierzoną przez górny czujnik wody, jeśli parametr P11 ma wartość 1, albo przez dolny czujnik wody, jeśli P11 = 0.

W czasie modyfikacji nastawy wybranego trybu pracy, temperatura nastawy jest widoczna na wyświetlaczu.

Ikony wskazują wybrany tryb pracy, obecność lub brak alarmów, stan połączenia Wi-Fi i inne informacje dotyczące stanu produktu.

7.1 Włączanie i wyłączenie podgrzewacza wody oraz odblokowywanie przycisków

Kiedy podgrzewacz jest prawidłowo podłączony do zasilania, może zostać "włączony" i działać w jednym z dostępnych trybów pracy (ECO, Automatyczny itp.) albo być w trybie gotowości.

W trybie gotowości cztery przyciski dotykowe są podświetlone, aby były dobrze widoczne, ikona Wi-Fi jest podświetlona odpowiednio do stanu połączenia z zewnętrznym routerem Wi-Fi (nie należy do wyposażenia) i, jeśli nie ma żadnych alarmów lub ochrona przeciwzamrożeniowa nie jest aktywna, wszystkie pozostałe ikony oraz segmenty trzech cyfr są wygaszone.

Włączanie

Kiedy podgrzewacz wody jest w trybie gotowości i funkcja "blokady przycisków" jest aktywna (podświetlona ikona kłódki w dolnym lewym rogu), najpierw należy "odblokować" przyciski, naciskając przycisk WŁ./WYŁ. przez co najmniej 3 sekundy (ikona kłódki zgaśnie), po czym ponownie naciskać przycisk WŁ./WYŁ. przez 3 sekundy, aby włączyć podgrzewacz wody.




Wyłączenie


Kiedy podgrzewacz wody jest włączony i funkcja "blokady przycisków" jest aktywna, najpierw należy "odblokować" przyciski, naciskając przycisk WŁ./WYŁ. przez co najmniej 3 sekundy, po czym ponownie naciskać przycisk WŁ./WYŁ. przez 3 sekundy, aby wyłączyć podgrzewacz wody (przełączając urządzenie w tryb gotowości).

W dowolnym stanie, po 60 sekundach od ostatniego naciśnięcia dowolnego z czterech przycisków interfejsu użytkownika, automatycznie aktywuje się funkcja blokady przycisków, aby zapobiec ewentualnym interakcjom z podgrzewaczem wody, np. przez dzieci. Jednocześnie poziom podświetlenia przycisków i wyświetlacza maleje, aby zmniejszyć zużycie energii przez urządzenie.

Naciśnięcie dowolnego z czterech przycisków sprawi, że podświetlenie przycisków i wyświetlacza natychmiast powróci do normalnego poziomu, poprawiając czytelność.

7.2 Ustawianie zegara


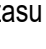
Po odblokowaniu przycisków należy naciskać przycisk  przez 3 sekundy, aby przejść do ustawień zegara (pulsuje symbol ). Ustawić godzinę za pomocą przycisków "+" i "-", nacisnąć , aby potwierdzić, po czym ustawić minuty.


Nacisnąć przycisk , aby potwierdzić i zakończyć.

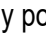
7.3 Ustawianie przedziałów czasu

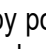
Przed aktywowaniem przedziałów czasu należy ustawić zegar urządzenia.


Wybrać żądany tryb pracy, po czym ustawić przedziały czasu. Przedziały czasu można aktywować tylko w trybach ECO - AUTOMATYCZNY - SZYBKIE PODGRZANIE WODY - ELEKTRYCZNY i WENTYLACJA.

Po odblokowaniu przycisków należy naciskać przycisk  i przycisk "-" przez 3 sekundy, aby ustawić przedziały czasu (pojawi się symbol ).

Ustawić godzinę włączenia za pomocą przycisków "+" i "-", nacisnąć , aby potwierdzić, po czym ustawić minuty włączenia.

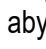


Nacisnąć , aby potwierdzić, po czym przejść do ustawiania czasu wyłączenia.

Nacisnąć , aby potwierdzić, po czym używając przycisków "+" i "-", wybrać żądany tryb pracy dla danego przedziału czasu (ECO, AUTOMATYCZNY, SZYBKIE PODGRZANIE WODY, ELEKTRYCZNY, WENTYLACJA).


Nacisnąć , aby potwierdzić i zakończyć.

Uwaga! Na koniec przedziału czasu urządzenie przechodzi w tryb gotowości i pozostaje w nim do ponownego wystąpienia przedziału czasu następnego dnia

Aby dezaktywować przedziały czasu, należy:

- ustawić czasy włączenia i wyłączenia na północ (00:00);
- nacisnąć , aby potwierdzić;
- nacisnąć jednocześnie przyciski  i "-" przez 3 sekundy (symbol  zgaśnie).

7.4 Ustawianie nastawy ciepłej wody

Nastawę ciepłej wody można regulować w trybach ECO, AUTOMATYCZNY, SZYBKIE PODGRZANIE WODY i ELEKTRYCZNY. Wybrać żądany tryb za pomocą przycisku , po czym wyregulować nastawę przyciskami "+" i "-".

Nacisnąć przycisk , aby potwierdzić i , aby zakończyć.


Mode	Nastawa ciepłej wody	
	Zakres	Wartość domyślna
ECO	43÷62°C	55°C
AUTOMATYCZNY	43÷62°C	55°C
SZYBKIE PODGRZANIE WODY	43÷75°C*	55°C
ELEKTRYCZNY	43÷75°C	55°C

* W trybie SZYBKIE PODGRZANIE WODY maksymalna wartość nastawy dla pompy ciepła wynosi 62°C. Dlatego ustawienie wyższej wartości będzie dotyczyć tylko grzałki.

7.5 TRYB PRACY

Podgrzewacz wody oferuje następujące tryby pracy:

- ECO;
- SZYBKIE PODGRZANIE WODY;
- ELEKTRYCZNY;
- WENTYLACJA;
- URLOP;
- AUTOMATYCZNY.

Urządzenie jest ustawione w trybie ECO; naciskając ten przycisk  można wybrać żądany tryb.

Jeśli w trybach ECO, SZYBKIE PODGRZANIE WODY i AUTOMATYCZNY przez 3 sekundy będą jednocześnie naciskane przyciski "+" i "-", można włączyć "tryb cichy" (na przykład w nocy), który ogranicza hałas urządzenia; w tym trybie szybkość podgrzewania wody może być niższa. Aby wyłączyć ten tryb, należy ponownie naciskać przyciski "+" i "-" przez 3 sekundy.

7.5.1 ECO

Na wyświetlaczu jest wyświetlany symbol **HP**

Ten tryb wykorzystuje tylko pompę ciepła w zakresie ograniczeń roboczych produktu, aby zapewnić maksymalną możliwą oszczędność energii.

Pompa ciepła włącza się 5 minut po wybraniu tego trybu lub od ostatniego wyłączenia.

W razie wyłączenia, w ciągu pierwszych 5 minut pompa ciepła i tak pozostaje włączona, aby zapewnić co najmniej 5 minut ciągłej pracy.

7.5.2 SZYBKIE PODGRZANIE WODY

Na wyświetlaczu pulsuje symbol **HP +** .

Ten tryb wykorzystuje pompę ciepła i grzałkę w zakresie ograniczeń roboczych produktu, aby zapewnić szybsze ogrzewanie.

Pompa ciepła włącza się 5 minut po wybraniu tego trybu lub od ostatniego wyłączenia.

W razie wyłączenia, w ciągu pierwszych 5 minut pompa ciepła i tak pozostaje włączona, aby zapewnić co najmniej 5 minut ciągłej pracy.

Grzałka włącza się natychmiast.

7.5.3 ELEKTRYCZNY

Na wyświetlaczu jest wyświetlany symbol .


Ten tryb wykorzystuje tylko grzałkę w zakresie ograniczeń roboczych produktu i jest przydatny w sytuacji niskich temperatur powietrza na wlocie.

7.5.4 WENTYLACJA

Na wyświetlaczu jest wyświetlany komunikat **FAn**.


Ten tryb wykorzystuje tylko wentylator elektroniczny w urządzeniu i służy do recyrkulacji powietrza w kotłowni, jeśli to konieczne. W trybie automatycznym wentylator będzie pracował z minimalną prędkością.

7.5.5 URLOP

Na wyświetlaczu jest wyświetlany symbol .

Ten tryb jest przydatny w przypadku krótkich wyjazdów, ponieważ umożliwia automatyczne uruchomienie urządzenia w trybie automatycznym.

Za pomocą przycisków + i - można ustawić dni nieobecności, w czasie których urządzenie pozostanie w trybie gotowości.

Nacisnąć , a następnie WŁ./WYŁ., aby potwierdzić.



7.5.6 AUTOMATYCZNY

Na wyświetlaczu jest wyświetlany symbol **HP +** .

Ten tryb wykorzystuje pompę ciepła i, w razie potrzeby, także grzałkę, w zakresie ograniczeń roboczych produktu, aby zapewnić maksymalny komfort.

Pompa ciepła włącza się 5 minut po wybraniu tego trybu lub od ostatniego wyłączenia.

W razie wyłączenia, w ciągu pierwszych 5 minut pompa ciepła i tak pozostaje włączona, aby zapewnić co najmniej 5 minut ciągłej pracy.

7.6 FUNKCJE DODATKOWE

7.6.1 Tryb solarny **HP**+☀ lub **HP**+☀+☀ lub ✈+☀

(Tylko w przypadku modeli PCV3)

Po aktywacji trybu solarnego z poziomu menu instalatora, będą dostępne tylko tryby ECO - AUTOMATYCZNY - URLOP.

Kiedy symbol ☀ na wyświetlaczu będzie pulsować, tryb solarny nie działa i urządzenie pracuje w zadanym trybie: ECO, AUTOMATYCZNY lub URLOP.

Kiedy symbol ☀ na wyświetlaczu jest podświetlony, energia wytwarzana przez system solarny służy do ogrzewania wody w zbiorniku przez węzownicę solarną.

7.6.2 Tryb fotowoltaiczny **HP**+☀ lub **HP**+☀+☀ lub ✈+☀

Po aktywacji trybu fotowoltaicznego z poziomu menu instalatora, będą dostępne tylko tryby ECO - AUTOMATYCZNY - URLOP.

Kiedy symbol ☀ na wyświetlaczu będzie pulsować, tryb fotowoltaiczny nie działa i urządzenie pracuje w zadanym trybie: ECO, AUTOMATYCZNY lub URLOP.

Kiedy symbol ☀ na wyświetlaczu jest podświetlony, energia wytwarzana przez system fotowoltaiczny jest używana do ogrzewania wody w zbiorniku.

Po wybraniu trybu ECO, pompa ciepła będzie działać do czasu osiągnięcia nastawy, a grzałka pozostanie włączona do czasu osiągnięcia nastawy dla systemu fotowoltaicznego, ustawionej z poziomu menu instalatora.

W innych przypadkach, po wybraniu trybu AUTOMATYCZNY, grzałka może zostać włączona także przed osiągnięciem nastawy tego trybu, jeśli sytuacja tego wymaga.

7.6.3 Tryb ulgowy **HP**+🕒 lub **HP**+☀+🕒

Po aktywacji trybu fotowoltaicznego z poziomu menu instalatora, będą dostępne tylko tryby ECO - AUTOMATYCZNY.

Kiedy symbol 🕒 na wyświetlaczu będzie pulsować, tryb ulgowy nie działa, urządzenie pozostaje w trybie gotowości, a pompa ciepła i grzałka są wyłączone.

W innych przypadkach, kiedy symbol 🕒 na wyświetlaczu jest podświetlony, urządzenie działa w trybie ECO lub AUTOMATYCZNY.

7.6.4 Antylegionella

Na wyświetlaczu jest wyświetlany symbol 🛡.

Co dwa tygodnie o zadanym czasie uruchamia się cykl ogrzewania wody przez grzałkę w zbiorniku do temperatury zapobiegającej rozwojowi bakterii Legionella i utrzymania jej przez określony czas.

Jeśli po osiągnięciu temperatury zapobiegającej rozwojowi bakterii Legionella cykl nie zostanie prawidłowo wykonany w ciągu 10 godzin, zakończy się i zostanie uruchomiony ponownie po 2 tygodniach.

Jeśli żądanie uruchomienia funkcji Antylegionella wystąpi przy wybranym trybie URLOP, cykl Antylegionella zostanie uruchomiony natychmiast po ponownym włączeniu urządzenia po upływie ustawionej liczby dni nieobecności.

Parametry cyklu Antylegionella	Zakres	Wartość domyślna
Temperatura zadana funkcji Antylegionella (P3)	50÷75°C	75°C
Czas trwania cyklu Antylegionella (P4)	0÷90 min	30 min
Czas uruchomienia cyklu Antylegionella (P29)	0÷23 godz.	23 godz.

7.6.5 Funkcja odszraniania

Na wyświetlaczu jest wyświetlany symbol ❄.

Urządzenie jest wyposażone w funkcję automatycznego odszraniania parownika, która zostaje włączona, kiedy wymagają tego warunki pracy, w czasie działania pompy ciepła. Odszranianie polega na wprowadzeniu gorącego gazu do parownika, co umożliwia jego szybkie odszronienie.

Podczas odszraniania grzałka urządzenia jest wyłączona, chyba że została ustawiona inaczej z poziomu menu instalatora (parametr P6).

Maks. czas odszraniania wynosi 8 minut.

7.6.6 Ochrona przeciwzamrozeniowa

Na wyświetlaczu jest wyświetlany symbol ❄.

Ta ochrona zapobiega spadkowi temperatury wody w zbiorniku do wartości bliskich zeru.

Kiedy urządzenie jest w trybie gotowości, a temperatura wody w zbiorniku wynosi 5°C lub mniej (parametr konfigurowalny z poziomu menu instalatora), uruchamia się funkcja ochrony przeciwzamrozeniowej, która włącza grzałkę do czasu osiągnięcia 12°C (parametr konfigurowalny z poziomu menu instalatora).

7.7 Usterki/Zabezpieczenia

Urządzenie jest wyposażone w system autodiagnostyki, który obejmuje część możliwych usterek i zabezpieczeń przed nietypowymi warunkami pracy poprzez wykrywanie, sygnalizowanie i uruchamianie procedur awaryjnych do czasu usunięcia usterek.

Usterka/Zabezpieczenie	Kod błędu	Wskazanie na wyświetlaczu
Usterka dolnego czujnika zbiornika	P01	 + P01
Usterka górnego czujnika zbiornika	P02	 + P02
Usterka czujnika odszraniania	P03	 + P03
Usterka czujnika na wlocie powietrza	P04	 + P04
Usterka czujnika na wlocie do parownika	P05	 + P05
Usterka czujnika na wylocie z parownika	P06	 + P06
Usterka czujnika przepływu sprężarki	P07	 + P07
Usterka czujnika kolektora słonecznego	P08	 + P08
Zabezpieczenie przed wysokim ciśnieniem	E01	 + E01
Alarm obiegu systemu solarnego / recyrkulacji	E02	 +E02
Alarm nieprawidłowej temperatury dla pracy pompy ciepła (Przy aktywnym alarmie woda jest podgrzewana tylko przez grzałkę)	PA	 +PA
Brak komunikacji (przy aktywnym alarmie urządzenie nie działa)	E08	 + E08
Usterka wentylatora elektronicznego	E03	 + E03

W przypadku dowolnej z powyższych usterek należy skontaktować się z działem obsługi technicznej producenta, podając kod błędu widoczny na wyświetlaczu.

8. ROZRUCH



UWAGA! Sprawdzić, czy urządzenie jest podłączone do przewodu uziemiającego.



UWAGA! Sprawdzić, czy napięcie między przewodami odpowiada podanemu na tabliczce znamionowej urządzenia.



UWAGA! Urządzenie może zostać włączone dopiero, kiedy zostanie napełnione wodą.

Rozruch należy przeprowadzić, wykonując następujące czynności:

- Po zainstalowaniu urządzenia i wykonaniu wszystkich połączeń (wentylacyjnych, hydraulicznych, elektrycznych itd.), należy je napełnić wodą z domowej instalacji wodociągowej. Aby napełnić urządzenie, należy otworzyć zawór główny domowej instalacji wodociągowej i najbliższy położony kurek z ciepłą wodą, upewniając się, że całe powietrze w zbiorniku jest stopniowo usuwane.
- Nie przekraczać maks. dopuszczalnego ciśnienia podanego w punkcie "Ogólne dane techniczne".
- Sprawdzić zabezpieczenia obiegu wodnego.
- Podłączyć urządzenie do gniazda zasilania.
- Po podłączeniu wtyczki bojler jest w trybie gotowości, wyświetlacz pozostaje wyłączony, przycisk zasilania jest podświetlony.
- Nacisnąć przycisk WŁ/WYŁ., urządzenie uruchomi się w trybie "ECO" (ustawienie fabryczne).

W razie nagłej przerwy w dostawie zasilania, po jego przywróceniu urządzenie uruchomi się ponownie w trybie pracy sprzed przerwy.

8.1 Zapytania, edycja parametrów pracy

Urządzenie posiada dwa oddzielne menu: jedno do konsultacji, a drugie do edycji parametrów pracy (patrz „8.1.1 Lista parametrów urządzenia”).

Przy włączonym urządzeniu parametry można dowolnie sprawdzać w każdej chwili, odblokowując przyciski (patrz „7.1 Włączanie i wyłączanie podgrzewacza wody oraz odblokowywanie przycisków”) i naciskając jednocześnie przyciski "☑" i "+" przez 3 sekundy. Etykieta pierwszego parametru pojawi się na wyświetlaczu z literą "A". Naciśnięcie przycisku "+" wyświetli jego wartość, ponowne naciśnięcie tego przycisku wyświetli etykietę drugiego parametru "B", i tak dalej. Całą listę parametrów można przewijać do przodu/do tyłu za pomocą przycisków "+" i "-".

Nacisnąć przycisk "WŁ./WYŁ.", aby zakończyć.

Edycja jednego lub większej liczby parametrów pracy jest możliwa po przełączeniu urządzenia w tryb gotowości i wymaga podania hasła.



UWAGA! "Użycie hasła jest zarezerwowane dla wykwalifikowanego personelu; odpowiedzialność za jakiegokolwiek skutki nieprawidłowych ustawień parametrów spoczywa wyłącznie na kliencie. Dlatego jakiegokolwiek interwencje zlecane przez klienta w autoryzowanym centrum pomocy technicznej DAIKIN w czasie standardowego okresu gwarancji, dotyczące problemów z produktem wynikających z nieprawidłowych ustawień parametrów zabezpieczonych hasłem, nie będą objęte standardową gwarancją".

Po odblokowaniu przycisków, **tylko w trybie gotowości**, należy nacisnąć jednocześnie przyciski "☑" i "+" przez 3 sekundy, aby przejść do menu edycji parametrów urządzenia (zabezpieczone hasłem: 35). Na wyświetlaczu pojawią się dwie cyfry "00". Nacisnąć przycisk "☑". Cyfra "0" po lewej zacznie pulsować i za pomocą przycisków "+" i "-" można wybrać i wprowadzić pierwszą cyfrę (3), po czym nacisnąć "☑", aby potwierdzić. W ten sam sposób należy wprowadzić drugą cyfrę (5).

Jeśli hasło będzie nieprawidłowe, zostanie wyświetlony parametr P1. Naciśnięcie przycisku "+" wyświetli wartość domyślną tego parametru, którą można zmienić, naciskając ☑, a używając przycisków "+" i "-" można zmienić wartość w zakresie dopuszczalnym dla tego parametru. Następnie należy nacisnąć ☑, aby potwierdzić, oraz przycisk "+", aby kontynuować z innymi parametrami.

Po edycji żądanych parametrów należy nacisnąć przycisk WŁ/WYŁ., aby zapisać i zakończyć.

Urządzenie powróci do trybu gotowości.

8.1.1 Lista parametrów urządzenia

Parametr	Opis	Zakres	Wartość domyślna	Uwagi
A	Dolny czujnik temperatury wody	-30÷99°C	Wartości zmierzona	Nie można zmienić
B	Górny czujnik temperatury wody	-30÷99°C	Wartości zmierzona	Nie można zmienić
C	Czujnik temperatury odszraniania	-30÷99°C	Wartości zmierzona	Nie można zmienić
D	Czujnik temperatury powietrza nawiewanego	-30÷99°C	Wartości zmierzona	Nie można zmienić
E	Czujnik temperatury gazu na wlocie do parownika	-30÷99°C	Wartości zmierzona / "0°C", jeśli P33 = 0	Nie można zmienić (1)
F	Czujnik temperatury gazu na wylocie z parownika	-30÷99°C	Wartości zmierzona / "0°C", jeśli P33 = 0	Nie można zmienić (1)
G	Czujnik temperatury gazu w przewodzie tłocznym sprężarki	0÷125°C	Wartości zmierzona / "0°C", jeśli P33 = 0	Nie można zmienić (1)
H	Czujnik temperatury kolektora słonecznego (PT1000)	0÷150°C	Wartości zmierzona / "0°C", jeśli P16 = 2	Nie można zmienić (2)
I	Stopień otwarcia EEV	30÷500	Wartości zmierzona / wartość P40, jeśli P39 = 1	Nie można zmienić (1)
J	Wersja oprogramowania sprzętowego płyty głównej	0÷99	Wartość bieżąca	Nie można zmienić
L	Wersja oprogramowania sprzętowego interfejsu użytkownika	0÷99	Wartość bieżąca	Nie można zmienić
P1	Histeresa dolnego czujnika wody dla włączonej pompy ciepła	2÷15°C	7°C	Można zmienić
P2	Opóźnienie włączenia grzałki elektrycznej	0÷90 min	6 min	Funkcja wyłączona
P3	Nastawa temperatury funkcji Antylegionella	50°C÷75°C	75°C	Można zmienić
P4	Czas trwania funkcji Antylegionella	0÷90 min	30 min	Można zmienić
P5	Tryb odszraniania	0 = wyłączenie sprężarki 1 = gorący gaz	1	Można zmienić
P6	Wykorzystanie grzałki elektrycznej w czasie odszraniania	0 = WYŁ. 1 = WŁ.	0	Można zmienić
P7	Opóźnienie między dwoma kolejnymi cyklami odszraniania	30÷90 min	60 min	Można zmienić
P8	Wartość graniczna temperatury dla rozpoczęcia odszraniania	-30÷0°C	-5°C	Można zmienić
P9	Wartość graniczna temperatury dla zakończenia odszraniania	2÷30°C	3°C	Można zmienić
P10	Maksymalny czas odszraniania	3÷12 min	10 min	Można zmienić
P11	Wartość czujnika temperatury wody widoczna na wyświetlaczu	0 = dolny 1 = górny	1	Można zmienić
P12	Tryb pracy pompy zewnętrznej	0 = zawsze WYŁ. 1 = recyrkulacja ciepłej wody 2 = system ogrzewania słonecznego	1	Można zmienić
P13	Tryb pracy pompy recyrkulacyjnej ciepłej wody	0 = z pompą ciepła 1 = zawsze WŁ.	0	Można zmienić
P14	Typ wentylatora parownika (EC; AC; AC z podwójną prędkością; EC z dynamiczną regulacją prędkości)	0 = EC 1 = AC 2 = AC z podwójną prędkością 3 = EC z dynamiczną regulacją prędkości	3	Można zmienić
P15	Typ wyłączającego przełącznika przepływu obiegu recyrkulacji ciepłej wody / systemu ogrzewania słonecznego, przełącznik wyboru niskiego ciśnienia	0 = NC 1 = NO 2 = przełącznik wyboru niskiego ciśnienia	0	Można zmienić

Parametr	Opis	Zakres	Wartość domyślna	Uwagi
P16	Integracja trybu solarnego	0 = trwale dezaktyw. 1 = wł. z DIG1 2 = bezpośrednie sterowanie systemem ogrzewania słonecznego	0	Można zmienić (2)
P17	Opóźnienie uruchomienia pompy ciepła po otwarciu DIG1	10÷60 min	20 min	Można zmienić (2)
P18	Wartość dolnego czujnika temperatury wody wyłączająca pompę ciepła w integracji trybu solarnego = 1 (włączona z DIG1)	20÷60°C	40°C	Można zmienić (2)
P19	Histeresa dolnego czujnika wody włączająca pompę w integracji trybu solarnego = 2 (bezpośrednie sterowanie systemem ogrzewania słonecznego)	5÷20°C	10°C	Można zmienić (2)
P20	Wartość graniczna temperatury dla zadziałania zaworu opróżniania instalacji solarnej / zwinięcia rolety kolektora słonecznego w integracji trybu solarnego = 2 (bezpośrednie sterowanie systemem ogrzewania słonecznego)	100÷150°C	140°C	Można zmienić (2)
P21	Wartość dolnego czujnika temperatury wody wyłączająca pompę ciepła w przypadku integracji trybu fotowoltaicznego	30÷70°C	62°C	Można zmienić
P22	Wartość górnego czujnika temperatury wody wyłączająca grzałkę elektryczną w przypadku integracji trybu fotowoltaicznego	30÷80°C	75°C	Można zmienić
P23	Integracja trybu fotowoltaicznego	0 = trwale dezaktyw. 1 = aktyw.	0	Można zmienić
P24	Ulgowy tryb pracy	0 = trwale dezaktyw. 1 = aktyw. z ECO 2 = aktyw. z AUTO	0	Można zmienić
P25	Wartość przesunięcia na górnym czujniku temp. wody	-25÷25°C	2°C	Można zmienić
P26	Wartość przesunięcia na dolnym czujniku temp. wody	-25÷25°C	2°C	Można zmienić
P27	Wartość przesunięcia na czujniku temp. powietrza na wlocie	-25÷25°C	0°C	Można zmienić
P28	Wartość przesunięcia na czujniku temp. odszraniania	-25÷25°C	0°C	Można zmienić
P29	Godzina włączenia trybu Antylegionella	0÷23 godz.	23 godziny	Można zmienić
P30	Histeresa górnego czujnika wody dla włączonej grzałki elektrycznej	2÷20°C	7°C	Można zmienić
P31	Okres pracy pompy ciepła w trybie AUTO do obliczania stawki za ogrzewanie	10÷80 min	30 min	Można zmienić
P32	Wartość graniczna temperatury dla pracy grzałki elektrycznej w trybie AUTO	0÷20°C	4°C	Można zmienić
P33	Sterowanie elektronicznego zaworu rozprężnego (EEV)	0 = trwale dezaktyw. 1 = aktyw.	1	Można zmienić (1)
P34	Okres obliczania przegrzania dla automatycznego trybu sterowania EEV	20÷90 s	30 s	Można zmienić (1)
P35	Nastawa przegrzania dla automatycznego trybu sterowania EEV	-8÷15°C	4°C	Można zmienić (1)
P36	Nastawa schładzania dla automatycznego trybu sterowania EEV	60÷110°C	88°C	Można zmienić (1)
P37	Stopień otwarcia EEV w trybie odszraniania (x10)	5÷50	15	Można zmienić (1)

Parametr	Opis	Zakres	Wartość domyślna	Uwagi
P38	Minimalny stopień otwarcia EEV w automatycznym trybie sterowania (x10)	3~45	9	Można zmienić (1)
P39	Tryb sterowania EEV	0= automatyczny 1 = ręczny	0	Można zmienić (1)
P40	Wstępny stopień otwarcia EEV w automatycznym trybie sterowania / stopień otwarcia EEV w ręcznym trybie sterowania (x10)	5÷50	25	Można zmienić (1)
P41	Wartość graniczna temperatury AKP1 dla zysku KP1 EEV	-10÷10°C	-1	Można zmienić (1)
P42	Wartość graniczna temperatury AKP2 dla zysku KP2 EEV	-10÷10°C	0	Można zmienić (1)
P43	Wartość graniczna temperatury AKP3 dla zysku KP3 EEV	-10÷10°C	0	Można zmienić (1)
P44	Zysk KP1 EEV	-10÷10	2	Można zmienić (1)
P45	Zysk KP2 EEV	-10÷10	2	Można zmienić (1)
P46	Zysk KP3 EEV	-10÷10	1	Można zmienić (1)
P47	Maksymalna dozwolona temperatura na wlocie dla włączonej pompy ciepła	38÷43°C	43°C	Można zmienić
P48	Minimalna dozwolona temperatura na wlocie dla włączonej pompy ciepła	-10÷10°C	-7°C	Można zmienić
P49	Wartość graniczna temperatury na wlocie dla parownika EC lub AC z ustawioną podwójną prędkością dmuchawy	10÷40°C	25°C	Można zmienić
P50	Nastawa temperatury dolnego czujnika roztworu zapobiegającego zamarzaniu	0÷15°C	12°C	Można zmienić
P51	Nastawa wyższej prędkości dmuchawy EC parownika	60÷100%	90%	Można zmienić
P52	Nastawa niższej prędkości dmuchawy EC parownika	10÷60%	50%	Można zmienić
P53	Nastawa prędkości odszraniania wentylatora parownika EC	0÷100%	50%	Można zmienić
P54	Czas obejścia wyłącznika niskociśnieniowego	1÷240 min	1	Można zmienić
P55	Regulacja proporcjonalna przedziału czasu 1 temperatury parownika	1÷20°C	4°C	Można zmienić
P56	Różnica temperatury po włączeniu prędkości maksymalnej	P57÷20°C	2°C	Można zmienić
P57	Różnica temperatury po wyłączeniu prędkości maksymalnej	1°C÷P56	1°C	Można zmienić
P58	Użycie wentylatora parownika z wyłączoną sprężarką	0 = WYŁ. 1 = WŁ. z ręczną regulacją prędkości 2 = WŁ. z automatyczną regulacją prędkości	0	Można zmienić
P59	Obroty wentylatora parownika (EC) z wyłączoną sprężarką	0÷100%	40%	Można zmienić
P60	Różnica temperatury 1 wyparowanego powietrza na potrzeby obliczenia nastawy	1÷25°C	4°C	Można zmienić
P61	Różnica temperatury 2 wyparowanego powietrza na potrzeby obliczenia nastawy	1÷25°C	2°C	Można zmienić
P62	Różnica temperatury 3 wyparowanego powietrza na potrzeby obliczenia nastawy	1÷25°C	6°C	Można zmienić
P63	Różnica temperatury 4 wyparowanego powietrza na potrzeby obliczenia nastawy	1÷25°C	3°C	Można zmienić
P64	Różnica temperatury 5 wyparowanego powietrza na potrzeby obliczenia nastawy	1÷25°C	10°C	Można zmienić

Parametr	Opis	Zakres	Wartość domyślna	Uwagi
P65	Różnica temperatury 6 wyparowanego powietrza na potrzeby obliczenia nastawy	1÷25°C	18°C	Można zmienić
P66	Regulacja proporcjonalna przedziału czasu 2 temperatury parownika	1÷20°C	2°C	Można zmienić
P67	Regulacja proporcjonalna przedziału czasu 3 temperatury parownika	1÷20°C	9°C	Można zmienić
P68	Regulacja proporcjonalna przedziału czasu 4 temperatury parownika	1÷20°C	5°C	Można zmienić
P69	Regulacja proporcjonalna przedziału czasu 5 temperatury parownika	1÷20°C	10°C	Można zmienić
P70	Regulacja proporcjonalna przedziału czasu 6 temperatury parownika	1÷20°C	5°C	Można zmienić
P71	Obniżenie obrotów wentylatora parownika EC w trybie cichym	0÷40%	15%	Można zmienić
P72	Zysk regulatora obrotów wentylatora EC	1÷100	5	Można zmienić

(1) = NIEUŻYWANE W PRZYPADKU TEGO URZĄDZENIA

(2) = TYLKO W PRZYPADKU MODELI "EKHHE200PCV37, EKHHE260PCV37"

9. ROZWIĄZYWANIE PROBLEMÓW



UWAGA! Nie wolno podejmować prób samodzielnej naprawy urządzenia.

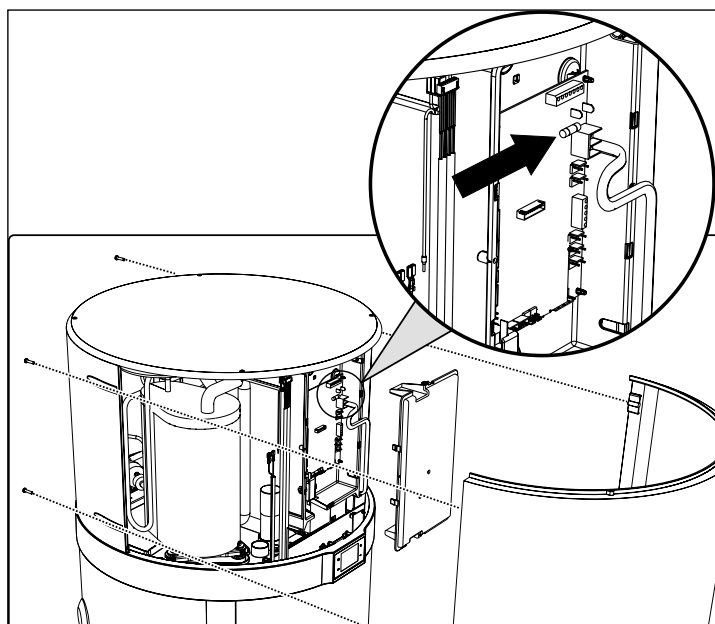
Następujące kontrole są zarezerwowane wyłącznie dla wykwalifikowanego personelu.

Usterka	Zalecane działanie
Urządzenie nie włącza się	<ul style="list-style-type: none"> Sprawdzić, czy produkt jest prawidłowo podłączony do zasilania sieciowego. Odłączyć urządzenie, po czym po kilku minutach podłączyć je ponownie. Sprawdzić kabel zasilający w produkcie. Sprawdzić, czy bezpiecznik na płycie głównej jest sprawny. W przeciwnym razie wymienić go na certyfikowany bezpiecznik zwłoczny 5 A zgodny z normą IEC-60127-2/II.
Pompa ciepła nie podgrzewa wody w trybie ECO lub AUTOMATYCZNY	<ul style="list-style-type: none"> Wyłączyć urządzenie, po czym po kilku godzinach włączyć je ponownie. Odłączyć urządzenie od zasilania sieciowego, spuścić część wody ze zbiornika (ok. 50%), po czym uzupełnić go i ponownie włączyć urządzenie w trybie ECO.
Pompa ciepła pozostaje włączona i nigdy nie przerywa pracy	<ul style="list-style-type: none"> Nie spuszczać ciepłej wody z produktu sprawdzić, czy w ciągu kilku godzin pompa ciepła prawidłowo realizuje ogrzewanie.
Zintegrowana grzałka nie podgrzewa wody w trybie AUTOMATYCZNY	<ul style="list-style-type: none"> Wyłączyć urządzenie i sprawdzić termostat bezpieczeństwa grzałki w urządzeniu, wrazie potrzeby je resetując. Następnie włączyć urządzenie w trybie AUTOMATYCZNY. Odłączyć urządzenie od zasilania sieciowego, spuścić część wody ze zbiornika (ok. 50%), po czym uzupełnić go i ponownie włączyć urządzenie w trybie AUTOMATYCZNY. Przejsć do menu instalatora i zwiększyć wartość parametru P32, np. do 7°C. Sprawdzić, czy nie zadziałał termostat bezpieczeństwa grzałki (patrz 9.2)

9.1 Wymiana bezpiecznika płyty głównej

Wykonać poniższe czynności (zarezerwowane wyłącznie dla wykwalifikowanego personelu technicznego):

- Odłączyć zasilanie urządzenia.
- Zdjąć górną pokrywę urządzenia, a następnie pokrywę płyty głównej.
- Wyjąć zaślepkę bezpiecznika, a następnie bezpiecznik, używając odpowiedniego śrubokręta.
- Zainstalować nowy certyfikowany bezpiecznik zwłoczny 5 A (T5AL250V) zgodny z normą IEC-60127-2/II, po czym założyć zaślepkę ochronną.
- Założyć wszystkie pokrywy i upewnić się, że urządzenie jest prawidłowo zainstalowane przed włączeniem zasilania.



rys. 28

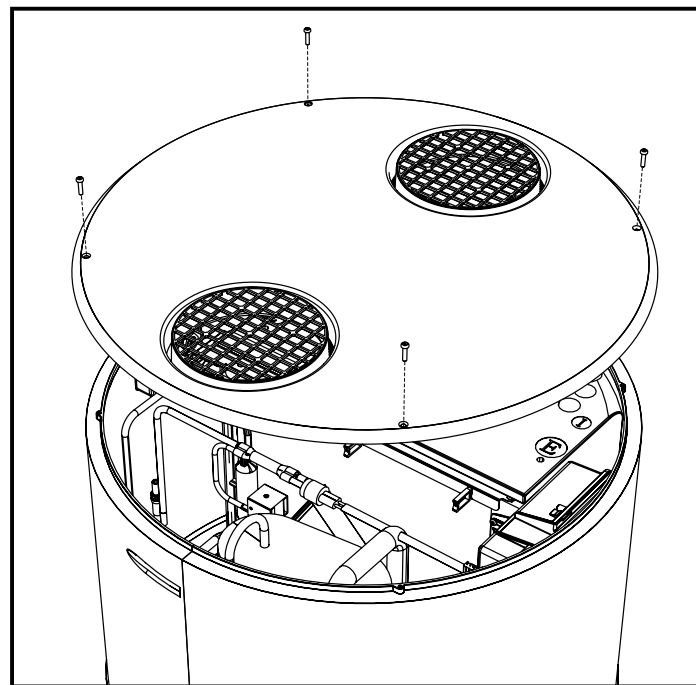
9.2 Reset termostatu bezpieczeństwa grzałki

Urządzenie jest wyposażone w ręcznie resetowany termostat bezpieczeństwa połączony szeregowo z grzałką zanurzoną w wodzie, który przerywa zasilanie w przypadku nadmiernego wzrostu temperatury w zbiorniku.

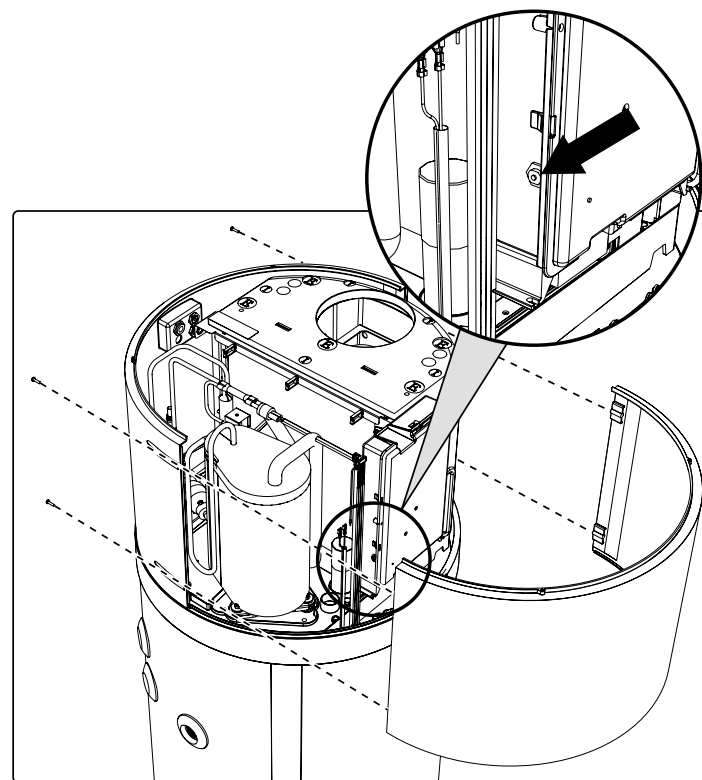
W razie potrzeby należy zresetować termostat, wykonując poniższe czynności (zarezerwowane dla wykwalifikowanego personelu technicznego):

- Odłączyć wtyczkę produktu.
- Odłączyć wszystkie kanały wentylacyjne.
- Zdjąć górną pokrywę, odkręcając wcześniej śruby zabezpieczające (rys. 29).
- Zdjąć panel przedni i ręcznie zresetować wyzwolony termostat bezpieczeństwa (rys. 30). W razie zadziałania zabezpieczenia centralny bolec termostatu wystaje o około 2 mm.

- Założyć zdjętą wcześniej górną pokrywę.



rys. 29- Zdejmowanie górnej pokrywy



rys. 30- Zdejmowanie panelu przedniego

! UWAGA! Przyczyną zadziałania termostatu bezpieczeństwa może być usterka związana z płytą sterującą lub brakiem wody w zbiorniku.

! UWAGA! Wykonywanie napraw części pełniących funkcje bezpieczeństwa zagraża bezpiecznej pracy urządzenia. Wadliwe części należy wymieniać tylko na oryginalne części zamienne.

! UWAGA! Zadziałanie termostatu uniemożliwia pracę grzałki elektrycznej, ale nie systemu pompy ciepła w dozwolonych ograniczeniach roboczych.

! UWAGA! Jeśli operator nie będzie w stanie usunąć usterki, należy wyłączyć urządzenie i skontaktować się z działem obsługi technicznej, podając model zakupionego urządzenia.

10. KONSERWACJA

! UWAGA! Wszelkie naprawy urządzenia muszą być wykonywane przez wykwalifikowany personel. Nieprawidłowe naprawy mogą narazić użytkownika na poważne niebezpieczeństwo. Jeśli urządzenie wymaga naprawy, należy skontaktować się z centrum serwisowym.

! UWAGA! Przed podjęciem próby wykonania jakichkolwiek czynności konserwacyjnych należy upewnić się, że urządzenie nie jest i nie może zostać przypadkowo podłączone do zasilania elektrycznego. Dlatego przed czyszczeniem lub wykonaniem jakichkolwiek czynności konserwacyjnych należy odłączyć urządzenie od zasilania sieciowego.

10.1 Kontrola/wymiana anody traconej

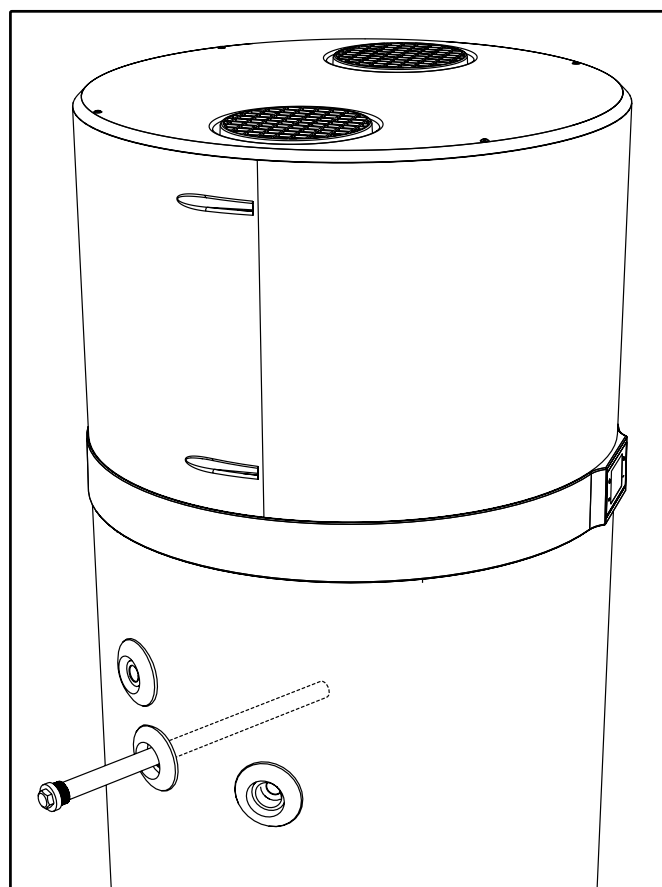
Anoda magnezowa (Mg), nazywana także anodą "traconą", zapobiega powstawaniu prądów wirowych wewnątrz bojlera, które mogą wywoływać procesy korozyjne na powierzchni urządzenia.

Zasadniczo magnez to metal o niższym potencjale elektrochemicznym w porównaniu do materiału, który wyściela wnętrze bojlera, dzięki czemu jako pierwszy przyciąga ładunki ujemne powstające w trakcie podgrzewania wody, ulegając zużyciu. Dlatego anoda rozkłada się, korodując zamiast zbiornika. Bojler zawiera dwie anody — jedną zamontowaną w dolnej i drugą w górnej części zbiornika (obszar bardziej podatny na korozję).

Integralność anod magnezowych należy sprawdzać co najmniej co dwa lata (najlepiej, jeśli są sprawdzane co rok). Czynności powinny zostać wykonane przez wykwalifikowany personel.

Przed wykonaniem kontroli należy:

- Zamknąć wlot zimnej wody.
- Opróżnić bojler (patrz punkt „10.2 Opróżnianie bojlera”).
- Odkręcić górną anodę i sprawdzić stan jej korozji; jeśli ponad 2/3 powierzchni anody uległo korozji, należy ją wymienić.



rys. 31

Anody mają odpowiednie uszczelki, aby zapobiec wyciekom wody; zaleca się nasmarować gwinty smarem anaerobowym przeznaczonym do systemów sanitarno-grzewczych. Uszczelki należy wymienić na nowe zarówno w czasie kontroli, jak i wymiany anod.

10.2 Opróżnianie bojlera

Jeśli bojler nie będzie używany, zaleca się spuścić z niego wodę, szczególnie w razie występowania niskich temperatur.

W przypadku opisywanego urządzenia wystarczy odłączyć złącze wlotowe wody (patrz punkt „6.5 Przyłącza hydrauliczne”) Ewentualnie, podczas konfiguracji systemu zaleca się zainstalowanie kurka spustowego z możliwością podłączenia węża.

! UWAGA! W przypadku niskich temperatur należy pamiętać o opróżnieniu systemu, aby uniknąć zamarzania wody.

11. UTYLIZACJA

Po zakończeniu eksploatacji pompę ciepła należy poddać utylizacji zgodnie z obowiązującymi przepisami.



UWAGA! Urządzenie zawiera fluorowane gazy cieplarniane objęte uzgodnieniami Protokołu z Kioto. Czynności konserwacyjne i utylizacja powinny być wykonywane tylko przez wykwalifikowany personel.

INFORMACJE DLA UŻYTKOWNIKÓW



Zgodnie z dyrektywami 2011/65/UE i 2012/19/UE dotyczącymi ograniczenia stosowania substancji niebezpiecznych w sprzęcie elektrycznym i elektronicznym, a także utylizacji odpadów.

Symbol przekreślonego pojemnika na odpady, umieszczony na urządzeniu lub jego opakowaniu oznacza, że po zakończeniu okresu użytkowania produkt należy utylizować oddzielnie od innych odpadów.

Dlatego po zakończeniu eksploatacji urządzenia, użytkownik powinien je przekazać do odpowiedniego punktu zbiórki odpadów elektrycznych i elektronicznych, albo zwrócić sprzedawcy przy zakupie nowego, podobnego urządzenia, w stosunku jeden do jednego.

Odpowiednia oddzielna zbiórka odpadów, polegająca na dalszym przekazaniu urządzenia wycofanego z eksploatacji do recyklingu, przetwarzania i/lub utylizacji, pozwala wyeliminować ewentualny negatywny wpływ na środowisko naturalne i zdrowie, a także sprzyja ponownemu wykorzystaniu i/lub recyklingowi materiałów, z których urządzenie zostało wykonane.

Niezgodna z przepisami utylizacja produktu przez użytkownika grozi nałożeniem kar administracyjnych przewidzianych w obowiązujących przepisach.

Główne materiały użyte w produkcji urządzenia to:

- stal
- miedź
- magnez
- aluminium
- tworzywo sztuczne
- poliuretan

12. KARTA PRODUKTU

Opisy	j.m.	EKHHE200CV37	EKHHE260CV37	EKHHE200PCV37	EKHHE260PCV37
Deklarowany profil obciążeń	-	L	XL	L	XL
Ustawienia temperatury termostatu podgrzewacza wody	°C	55	55	55	55
Klasa efektywności energetycznej podgrzewania wody ⁽¹⁾	-	A+	A+	A+	A+
Efektywność energetyczna podgrzewania wody – η_{wh} ⁽¹⁾	%	135	138	135	138
COP _{DHW} ⁽¹⁾	-	3,23	3,37	3,23	3,37
Roczne zużycie energii elektrycznej – AEC ⁽¹⁾	kWh	761	1210	761	1210
Efektywność energetyczna podgrzewania wody – η_{wh} ⁽²⁾	%	106	112	106	112
COP _{DHW} ⁽²⁾	-	2,55	2,73	2,55	2,73
Roczne zużycie energii elektrycznej – AEC ⁽²⁾	kWh	944	1496	944	1496
Efektywność energetyczna podgrzewania wody – η_{wh} ⁽³⁾	%	162	160	162	160
COP _{DHW} ⁽³⁾	-	3,89	3,9	3,89	3,9
Roczne zużycie energii elektrycznej – AEC ⁽³⁾	kWh	631	1046	631	1046
Poziom mocy akustycznej w pomieszczeniu ⁽⁴⁾	dB (A)	53	51	53	51
Poziom mocy akustycznej na zewnątrz ⁽⁴⁾	dB (A)	45	44	45	44
Podgrzewacz wody może pracować tylko poza godzinami szczytu	-	NIE	NIE	NIE	NIE
Wszelkie specjalne środki ostrożności, jakie należy podjąć w trakcie montażu, instalacji lub konserwacji podgrzewacza wody	-	Patrz instrukcja			

(1): Dane zgodnie z normą EN 16147: 2017 dla klimatu UMIARKOWANEGO (jednostka w trybie ECO; woda na wlocie = 10°C; temp. powietrza na wlocie = 7°C DB / 6°C WB)

(2): Dane zgodnie z normą EN 16147: 2017 dla klimatu CHŁODNIEJSZEGO (jednostka w trybie ECO; woda na wlocie = 10°C; temp. powietrza na wlocie = 2°C DB / 1°C WB)

(3): Dane zgodnie z normą EN 16147: 2017 dla klimatu CIEPLEJSZEGO (jednostka w trybie ECO; woda na wlocie = 10°C; temp. powietrza na wlocie = 14°C DB / 13°C WB)

(4): Dane zgodnie z normą EN 12102-2: 2019 dla trybu ECO z temp. powietrza na wlocie = 7°C DB / 6°C WB

1. ΓΕΝΙΚΕΣ ΠΡΟΦΥΛΑΞΕΙΣ ΑΣΦΑΛΕΙΑΣ	2
2. ΕΙΣΑΓΩΓΗ	6
2.1 Προϊόντα	6
2.2 Αποποίηση ευθυνών.....	6
2.3 Γλώσσα.....	6
2.4 Πνευματική ιδιοκτησία.....	7
2.5 Διαθέσιμες εκδόσεις και διαμορφώσεις.....	7
3. ΧΕΙΡΙΣΜΟΣ ΚΑΙ ΜΕΤΑΦΟΡΑ	7
3.1 Παραλαβή.....	7
4. ΚΑΤΑΣΚΕΥΑΣΤΙΚΑ ΧΑΡΑΚΤΗΡΙΣΤΙΚΑ.....	9
4.1 Διαστάσεις	10
4.2 Τεχνικά χαρακτηριστικά.....	11
5. ΣΗΜΑΝΤΙΚΕΣ ΠΛΗΡΟΦΟΡΙΕΣ.....	12
5.1 Συμμόρφωση με τους ευρωπαϊκούς κανονισμούς.....	12
5.2 Βαθμός προστασίας περιβάλλοντος	12
5.3 Περιορισμοί λειτουργίας.....	12
5.4 Περιορισμοί λειτουργίας	12
5.5 Βασικοί κανόνες ασφαλείας	13
5.6 Πληροφορίες σχετικά με το χρησιμοποιούμενο ψυκτικό	13
6. ΕΓΚΑΤΑΣΤΑΣΗ ΚΑΙ ΣΥΝΔΕΣΕΙΣ.....	13
6.1 Προετοιμασία του χώρου εγκατάστασης	13
6.2 Στερέωση στο δάπεδο	14
6.3 Αεραυλικές συνδέσεις.....	14
6.4 Στερέωση και συνδέσεις της συσκευής.....	16
6.5 Υδραυλικές συνδέσεις	16
6.6 Συνδυασμός με σύστημα ηλιακού (μόνο για τα μοντέλα ΕΚΗΗΕ200PCV37 και ΕΚΗΗΕ260PCV37).....	17
6.7 Ηλεκτρολογικές συνδέσεις	18
6.8 Διάγραμμα καλωδίωσης.....	20
7. ΠΕΡΙΓΡΑΦΗ ΤΗΣ ΟΘΟΝΗΣ ΧΕΙΡΙΣΜΟΥ ΚΑΙ ΛΕΙΤΟΥΡΓΙΑΣ ΤΟΥ ΕΞΟΠΛΙΣΜΟΥ	21
7.1 Ενεργοποίηση και απενεργοποίηση του θερμοσίφωνα και ξεκλείδωμα των κουμπιών.....	22
7.2 Ρύθμιση του ρολογιού.....	22
7.3 Ρύθμιση χρονικών διαστημάτων.....	22
7.4 Ορισμός του σημείου ρύθμισης ζεστού νερού	22
7.5 Τρόπος λειτουργίας	23
7.6 Προσθετες δυνατοτητες	24
7.7 Σφάλματα/προστασία	25
8. ΑΡΧΙΚΗ ΕΚΚΙΝΗΣΗ	26
8.1 Ερώτημα, επεξεργασία παραμέτρων λειτουργίας.....	26
9. ΑΝΤΙΜΕΤΩΠΙΣΗ ΠΡΟΒΛΗΜΑΤΩΝ.....	30
9.1 Αντικατάσταση των ασφαλειών της πλακέτας τροφοδοσίας.....	31
9.2 Επαναφορά του θερμοστάτη ασφαλείας του θερμαντικού στοιχείου	31
10. ΣΥΝΤΗΡΗΣΗ	32
10.1 Έλεγχος αναλώσιμου/αντικατάστασιμου ανοδίου.....	32
10.2 Άδειασμα λέβητα	32
11. ΑΠΟΡΡΙΨΗ.....	33
12. ΦΥΛΛΟ ΠΡΟΪΟΝΤΟΣ.....	33

1. ΓΕΝΙΚΕΣ ΠΡΟΦΥΛΑΞΕΙΣ ΑΣΦΑΛΕΙΑΣ

ΠΡΟΣΟΧΗ:

- Το παρόν εγχειρίδιο αποτελεί αναπόσπαστο μέρος του προϊόντος. Φυλάξτε το με ασφάλεια μαζί με τη συσκευή, και παραδώστε το στον επόμενο χρήστη/ιδιοκτήτη σε περίπτωση αλλαγής ιδιοκτησίας.
- Οι παρούσες οδηγίες είναι επίσης διαθέσιμες από την εξυπηρέτηση πελατών του κατασκευαστή και τον δικτυακό του τόπο: www.daikin.eu
- Διαβάστε προσεκτικά τις οδηγίες και τις προειδοποιήσεις στο παρόν εγχειρίδιο, καθώς και περιέχουν σημαντικές πληροφορίες σχετικά με την ασφαλή εγκατάσταση, χρήση και συντήρηση.

ΠΡΟΕΙΔΟΠΟΙΗΣΕΙΣ ΑΣΦΑΛΕΙΑΣ

Μην χρησιμοποιείτε τη συσκευή για άλλους λόγους εκτός από την καθορισμένη χρήση της. Ο κατασκευαστής ουδεμία ευθύνη φέρει για τυχόν ζημιές που προέκυψαν από ακατάλληλη ή εσφαλμένη χρήση ή αδυναμία τήρησης των οδηγιών που παρέχονται από το παρόν εγχειρίδιο.

Αυτή η συσκευή δεν προορίζεται για χρήση από άτομα (μεταξύ των οποίων και παιδιά) με μειωμένες σωματικές, αισθητηριακές ή πνευματικές ικανότητες, ή από άτομα χωρίς εμπειρία και γνώσεις, εκτός εάν έχουν λάβει προηγουμένως οδηγίες σχετικά με τη χρήση της συσκευής ή την χειρίζονται υπό την επίβλεψη κάποιου ατόμου υπεύθυνου για την ασφάλειά τους.

Τα παιδιά πρέπει να επιβλέπονται για να εξασφαλίζεται ότι δεν παίζουν με τη συσκευή.

Η συσκευή αυτή μπορεί να χρησιμοποιηθεί από παιδιά ηλικίας 8 ετών και άνω, και παιδιά με μειωμένες σωματικές, αισθητηριακές ή πνευματικές ικανότητες ή χωρίς εμπειρία ή γνώση, εφόσον παρακολουθούνται κατάλληλα ή εάν έχουν λάβει προηγουμένως οδηγίες σχετικά με τη χρήση της συσκευής και οι κίνδυνοι από τη χρήση της τους έχουν καταστεί σαφείς.

Τα παιδιά δεν επιτρέπεται να παίζουν με τη συσκευή.

Νερό θερμοκρασίας 50°C μπορεί να προκαλέσει άμεσα και σοβαρά εγκαύματα εάν διοχετευθεί αμέσως από τη βρύση. Τα παιδιά, τα άτομα με αναπηρία και οι ηλικιωμένοι διατρέχουν ιδιαίτερο κίνδυνο. Συνιστάται η εγκατάσταση θερμοστατικής βαλβίδας ανάμιξης στις σωληνώσεις της παροχής νερού.

Η συσκευή αυτή δεν πρέπει να καθαρίζεται ή να συντηρείται από παιδιά χωρίς επίβλεψη.

Μην αγγίζετε τη συσκευή ξυπόλητοι ή εάν οποιοδήποτε μέρος του σώματός σας είναι βρεγμένο.

Μην αφήνετε εύφλεκτα υλικά σε επαφή ή γύρω από τη συσκευή.

Η συσκευή πρέπει να αδειάζει όταν τίθεται εκτός λειτουργίας σε περιοχές με θερμοκρασίες υπό το μηδέν. Το άδειασμα της συσκευής περιγράφεται στο κατάλληλο κεφάλαιο.

ΠΡΟΕΙΔΟΠΟΙΗΣΗ ΕΓΚΑΤΑΣΤΑΣΗΣ

Η συσκευή αυτή πρέπει να εγκαθίσταται και να τίθεται σε δοκιμαστική λειτουργία από τεχνικό με τα κατάλληλα προσόντα σύμφωνα με την τοπική νομοθεσία και τους κανονισμούς υγείας και ασφαλείας. Όλα τα κυκλώματα υπό τάση πρέπει να είναι κλειστά πριν ανοίξετε το μπλοκ ακροδεκτών.

Η λανθασμένη εγκατάσταση ενδέχεται να προκαλέσει ζημιές στην ιδιοκτησία και τραυματισμός σε ανθρώπους και ζώα. Ο κατασκευαστής ουδεμία ευθύνη φέρει για τις συνέπειες.

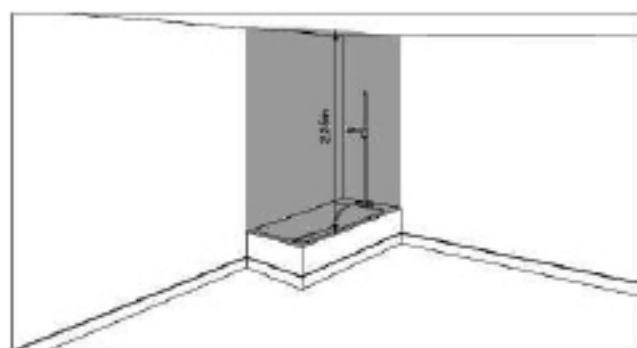
Το προϊόν είναι βαρύ. Χειριστείτε το με προσοχή και εγκαταστήστε το προϊόν σε χώρο χωρίς παγετό.

Βεβαιωθείτε ότι το δάπεδο μπορεί να υποστηρίξει το βάρος της συσκευής όταν είναι γεμάτη με νερό.

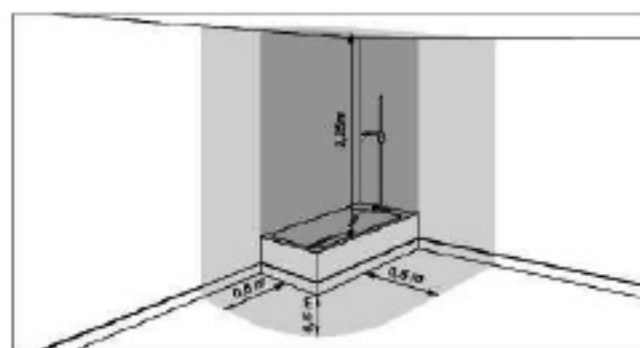
Η καταστροφή της συσκευής από υπερπίεση λόγω απόφραξης της διάταξης ασφαλείας ακυρώνει την εγγύηση.

ΠΡΟΕΙΔΟΠΟΙΗΣΕΙΣ ΕΓΚΑΤΑΣΤΑΣΗΣ

Όταν εγκαθιστάτε το προϊόν αυτό σε λουτρό, μην χρησιμοποιείτε τον "Απαγορευμένο χώρο" και τηρήστε, τουλάχιστον, τον "Προστατευόμενο χώρο" που φαίνονται παρακάτω:



Απαγορευμένος χώρος



Προστατευόμενος χώρος

Το προϊόν αυτό πρέπει να τοποθετείται σε επισκέψιμη θέση.

Ο θερμοσίφοντας πρέπει να στερεώνεται στο δάπεδο χρησιμοποιώντας τα άγκιστρα στερέωσης που παρέχονται για τον σκοπό αυτό. Τα συγκολλητικά υλικά δεν θεωρούνται αξιόπιστο μέσο στερέωσης.

Το προϊόν αυτό έχει σχεδιαστεί για χρήση σε μέγιστο υψόμετρο 2000 m.

Ανατρέξτε στην περιγραφή και στις εικόνες στις παραγράφους 6.1, 6.2 και 6.4.

ΠΡΟΕΙΔΟΠΟΙΗΣΕΙΣ ΓΙΑ ΑΕΡΑΥΛΙΚΕΣ ΣΥΝΔΕΣΕΙΣ

Η ταυτόχρονη λειτουργία μιας ανοικτής εστίας φωτιάς (π.χ. ανοιχτό τζάκι) και της αντλίας θερμότητας προκαλεί επικίνδυνη αρνητική πίεση στο δωμάτιο. Η αρνητική πίεση μπορεί να προκαλέσει επιστροφή των καυσαερίων στο δωμάτιο. Δεν επιτρέπεται η λειτουργία της αντλίας θερμότητας μαζί με μια ανοικτή εστία φωτιάς.

Χρησιμοποιείτε μόνον εγκεκριμένες κλειστές εστίες φωτιάς με ξεχωριστή παροχή αέρα καύσης. Κλείστε τις πόρτες λεβητοστασίων που δεν έχουν κοινή εισαγωγή αέρα καύσης με τους χώρους διαβίωσης.

Κατάλληλη προστατευτική γρίλια πρέπει να εγκατασταθεί στις ενώσεις εισαγωγής εσωτερικού και εξωτερικού αέρα ώστε να αποφεύγεται η εισαγωγή ξένων σωμάτων στο εσωτερικό του εξοπλισμού.

Ανατρέξτε στην περιγραφή και στις εικόνες στο τμήμα "Αεραυλικές συνδέσεις", παράγραφος 6.3.

ΠΡΟΕΙΔΟΠΟΙΗΣΕΙΣ ΓΙΑ ΥΔΡΑΥΛΙΚΕΣ ΣΥΝΔΕΣΕΙΣ

Είναι υποχρεωτικό να βιδώσετε πάνω στο σωλήνα εισαγωγής νερού στη συσκευή κατάλληλη συσκευή προστασίας από υπερπίεση (δεν παρέχεται). Στις χώρες που ισχύει το πρότυπο EN 1487, ο σωλήνας εισαγωγής νερού στη συσκευή πρέπει να είναι εφοδιασμένος με διάταξη ασφαλείας συμβατή με το παραπάνω πρότυπο.

Πρέπει να είναι καινούργια, με διάμετρο 3/4", βαθμονομημένη σε μέγιστη πίεση 0,7 MPa, και να περιλαμβάνει τουλάχιστον μια στρόφιγγα, βάνα ελέγχου, βάνα ασφαλείας και διακόπτη υδραυλικού φορτίου.

Αυτή η διάταξη ασφαλείας πρέπει να παραμένει άθικτη και πρέπει να ελέγχεται συχνά προκειμένου να διαπιστωθεί ότι δεν είναι βουλωμένη και να απομακρύνονται τυχόν άλατα.

Το νερό ενδέχεται να στάζει από το σωλήνα εκκένωσης της διάταξης ανακούφισης πίεσης και ο σωλήνας πρέπει να παραμένει ανοικτός στην ατμόσφαιρα. Ο σωλήνας εκκένωσης που συνδέεται με τη διάταξη εκτόνωσης της πίεσης, θα πρέπει να εγκαθίσταται με συνεχώς καθοδική κατεύθυνση σε περιβάλλον χωρίς παγετό.

Απαιτείται η εγκατάσταση ενός μειωτή πίεσης (δεν παρέχεται) όταν η πίεση του νερού εισαγωγής είναι μεγαλύτερη από 0,7 MPa (7 bar), ο οποίος να είναι συνδεδεμένος με το δίκτυο ύδρευσης.

Η ελάχιστη πίεση του νερού εισαγωγής για τη σωστή λειτουργία της συσκευής είναι 0,15 MPa (1,5 bar).

Συνδέστε έναν ελαστικό σωλήνα στην αποστράγγιση συμπυκνωμάτων, προσέχοντας να μην ασκήσετε υπερβολική πίεση ώστε να μην σπάσει ο σωλήνας αποστράγγισης και ανατρέξτε στην παρ. "6.6.1".

Χρησιμοποιείτε μόνο σωλήνες σύνδεσης (δεν παρέχονται), άκαμπτους και ανθεκτικούς στην ηλεκτρόλυση, τόσο στην είσοδο κρύου νερού όσο και στην έξοδο ζεστού νερού από τη συσκευή.

Για μοντέλα που ενσωματώνουν εναλλάκτη θερμότητας (σερπαντίνα ηλιακού), το κύκλωμα δεν πρέπει να υπερβαίνει τα 1,0 MPa (10 bar) και η θερμοκρασία του να μην υπερβαίνει τους 80°C.

Ανατρέξτε στην περιγραφή και στις εικόνες στην ενότητα «Υδραυλικές συνδέσεις» παράγραφος 6.6 και "Συνδυασμός με σύστημα ηλιακού" παράγραφος 6.7.

ΠΡΟΕΙΔΟΠΟΙΗΣΕΙΣ ΓΙΑ ΗΛΕΚΤΡΙΚΕΣ ΣΥΝΔΕΣΕΙΣ

Η συσκευή πρέπει να εγκατασταθεί σύμφωνα με τους εθνικούς κανονισμούς καλωδίωσης.

Η ηλεκτρική εγκατάσταση πρέπει να περιλαμβάνει διακόπτη αποσύνδεσης όλων των πόλων με διαχωρισμό των επαφών σε όλους τους πόλους ικανό να εγγυηθεί την πλήρη αποσύνδεση στην υπέρταση κατηγορίας III στα ανάντη της συσκευής, σύμφωνα με τους ισχύοντες τοπικούς κανόνες εγκατάστασης.

Η συσκευή πρέπει να προστατεύεται με κατάλληλο διαφορικό διακόπτη (μέγ. 30 mA). Ο τύπος του διαφορικού διακόπτη θα πρέπει να επιλέγεται κατόπιν αξιολόγησης του τύπου των ηλεκτρικών συσκευών που χρησιμοποιούνται από το σύστημα συνολικά.

Η σύνδεση γείωσης είναι υποχρεωτική. Ο κατασκευαστής της συσκευής ουδεμία ευθύνη φέρει για τυχόν ζημιά που προκαλείται από την παράλειψη γείωσης του συστήματος ή από δυσλειτουργίες στην τροφοδοσία ρεύματος.

Απαγορεύεται αυστηρά η σύνδεση της συσκευής με πρίζα εναλλασσόμενου ρεύματος με προέκταση ή με πολύπριζο.

Πριν ανοίξετε το κάλυμμα, βεβαιωθείτε ότι η συσκευή είναι αποσυνδεδεμένη από την παροχή ρεύματος για να αποφύγετε τραυματισμό ή ηλεκτροπληξία.

Ανατρέξτε στην περιγραφή και στις εικόνες, αντίστοιχα, της ενότητας "Ηλεκτρολογικές συνδέσεις", παράγραφος 6.8, και "Διάγραμμα καλωδίωσης", παράγραφος 6.9.

ΣΕΡΒΙΣ - ΣΥΝΤΗΡΗΣΗ - ΠΡΟΕΙΔΟΠΟΙΗΣΕΙΣ ΑΝΤΙΜΕΤΩΠΙΣΗΣ ΠΡΟΒΛΗΜΑΤΩΝ

Οποιαδήποτε επισκευή, συντήρηση, υδραυλικές και ηλεκτρολογικές συνδέσεις πρέπει να διεξάγονται από τεχνικούς με κατάλληλα προσόντα χρησιμοποιώντας γνήσια ανταλλακτικά μόνον. Αδυναμία τήρησης των παραπάνω οδηγιών μπορεί να υποβαθμίσει την ασφάλεια της συσκευής και απαλλάσσει τον κατασκευαστή από οποιαδήποτε ευθύνη για τις συνέπειες.

Για να αδειάσετε τη συσκευή: διακόψτε την παροχή ρεύματος και ψυχρού νερού, ανοίξτε τους διακόπτες θερμού νερού και κατόπιν θέσατε σε λειτουργία τη βάννα αποστράγγισης της διάταξης ασφαλείας.

Η ανακουφιστική βαλβίδα πρέπει να τίθεται σε λειτουργία τακτικά για να απομακρύνονται τα άλατα και να εξασφαλίζεται ότι δεν είναι βουλωμένη.

Η συσκευή διαθέτει καλώδιο ρεύματος που εάν είναι κατεστραμμένο, πρέπει να αντικατασταθεί από τον κατασκευαστή, τον αντιπρόσωπο σέρβις ή ομοίως εξειδικευμένα άτομα, προς αποφυγή κινδύνου.

Η συσκευή περιλαμβάνει μια μίνι συσκευή χρονοκαθυστέρησης σύνδεσης με τις ασφάλειες που, εάν κοπεί, πρέπει να αντικατασταθεί με μια ασφάλεια "T5AL250V" κατά IEC 60127.

Ανατρέξτε στην περιγραφή και στις εικόνες, αντιστοίχως, στο τμήμα "ΑΝΤΙΜΕΤΩΠΙΣΗ ΠΡΟΒΛΗΜΑΤΩΝ" κεφάλαιο 9 και "ΣΥΝΤΗΡΗΣΗ" κεφάλαιο 10.

2. ΕΙΣΑΓΩΓΗ

Το παρόν εγχειρίδιο εγκατάστασης και συντήρησης θεωρείται αναπόσπαστο τμήμα της παρούσας αντλίας θερμότητας (εφεξής θα αναφέρεται ως "εξοπλισμός").




Φυλάξτε το εγχειρίδιο μέχρι την αποσυναρμολόγηση. Το παρόν εγχειρίδιο προορίζεται τόσο για έναν ή περισσότερους εξειδικευμένους εγκαταστάτες ή τεχνικούς συντήρησης, όσο και για τον τελικό χρήστη. Το εγχειρίδιο περιγράφει τις διαδικασίες εγκατάστασης που πρέπει να τηρούνται για τη σωστή και ασφαλή λειτουργία του εξοπλισμού, καθώς και τις μεθόδους χρήσης και συντήρησης.

Σε περίπτωση πώλησης ή μεταβίβασης σε άλλο χρήστη, το εγχειρίδιο πρέπει να παραμείνει με τη μονάδα.

Πριν από την εγκατάσταση ή/και τη χρήση του εξοπλισμού, διαβάστε προσεκτικά το παρόν εγχειρίδιο οδηγιών και ιδίως το κεφάλαιο 5 σχετικά με την ασφάλεια.

Το εγχειρίδιο πρέπει να φυλάσσεται στη μονάδα και να είναι πάντα διαθέσιμο στο εξειδικευμένο προσωπικό εγκατάστασης και συντήρησης.

Τα ακόλουθα σύμβολα χρησιμοποιούνται στο εγχειρίδιο για να επισημάνουν τις πιο σημαντικές πληροφορίες:

	Προσοχή
	Διαδικασίες που πρέπει να ακολουθηθούν
	Πληροφορίες/Προτάσεις

2.1 Προϊόντα

Αγαπητέ πελάτη,

Σας ευχαριστούμε που αγοράσατε αυτό το προϊόν.

Η εταιρεία μας, πάντα προσεκτική σε περιβαλλοντικά θέματα, χρησιμοποιεί τεχνολογίες και υλικά χαμηλού περιβαλλοντικού αντίκτυπου για τα προϊόντα της, σύμφωνα με τα πρότυπα ΑΗΗΕ της ΕΕ (2012/19 / ΕΕ - RoHS 2011/65 / ΕΕ).

2.2 Αποποίηση ευθυνών

Η συμφωνία των εν λόγω οδηγιών λειτουργίας με το υλικό και το λογισμικό έχει ελεγχθεί προσεκτικά. Ωστόσο, μπορεί να υπάρχουν διαφορές και δεν υπάρχει καμία ευθύνη για το σύνολο της συμφωνίας.

Για λόγους τεχνικής βελτίωσης, διατηρούμε το δικαίωμα να κάνουμε αλλαγές κατασκευαστικών ή τεχνικών δεδομένων ανά πάσα στιγμή. Οποιαδήποτε απαίτηση βασίζεται σε ενδείξεις, στοιχεία, σχέδια ή περιγραφές ως εκ τούτου εξαιρείται. Υπόκεινται σε πιθανά σφάλματα.

Ο κατασκευαστής απορρίπτει οποιαδήποτε ευθύνη για ζημιά λόγω σφαλμάτων εντολών, λανθασμένης ή ακατάλληλης χρήσης ή λόγω μη εξουσιοδοτημένων επισκευών ή τροποποιήσεων.

2.3 Γλώσσα

Το εγχειρίδιο συντάχθηκε στα ιταλικά (IT), τη μητρική γλώσσα του κατασκευαστή.

Τυχόν μεταφράσεις σε πρόσθετες γλώσσες πρέπει να γίνονται από τις πρωτότυπες οδηγίες.

Ο Κατασκευαστής θεωρείται υπεύθυνος για τις πληροφορίες που περιέχονται στις πρωτότυπες οδηγίες. Οι μεταφράσεις σε άλλες γλώσσες δεν μπορούν να επαληθευτούν πλήρως, συνεπώς, αν διαπιστωθεί ασυνέπεια, είναι απαραίτητο να ακολουθήσετε το πρωτότυπο κείμενο της γλώσσας ή να επικοινωνήσετε με το Γραφείο τεχνικής τεκμηρίωσής μας.

2.4 Πνευματική ιδιοκτησία

Αυτές οι οδηγίες λειτουργίας περιέχουν πληροφορίες που προστατεύονται από πνευματικά δικαιώματα. Κανένα μέρος αυτών των οδηγιών λειτουργίας δεν μπορεί να αντιγραφεί, να αναπαραχθεί, να μεταφραστεί ή να εγγραφεί σε μέσα αποθήκευσης χωρίς προηγούμενη άδεια από τον προμηθευτή. Τυχόν παραβιάσεις θα υπόκεινται σε αποζημίωση για ζημία. Με επιφύλαξη παντός δικαιώματος, συμπεριλαμβανομένων εκείνων που προκύπτουν από την έκδοση διπλωμάτων ευρεσιτεχνίας ή την καταχώριση υποδειγμάτων χρησιμότητας.

2.5 Διαθέσιμες εκδόσεις και διαμορφώσεις

Αυτή η συσκευή διαθέτει μονάδα αντλίας θερμότητας 1,9 kW και μπορεί να παραχθεί σε διαφορετικές διαμορφώσεις, ανάλογα με τον πιθανό συνδυασμό πρόσθετων πηγών θέρμανσης (π.χ. ηλιακή θέρμανση) ή ανάλογα με τη χωρητικότητα του λέβητα.

Έκδοση	Περιγραφή διαμόρφωσης
EKHHE200CV37 EKHHE260CV37	Αντλία θερμότητας αέρα για παραγωγή ζεστού νερού χρήσης (ZNX)
EKHHE200PCV37 EKHHE260PCV37	Αντλία θερμότητας αέρα με αναμονή για παραγωγή ZNX από το σύστημα ηλιακού.

3. ΧΕΙΡΙΣΜΟΣ ΚΑΙ ΜΕΤΑΦΟΡΑ

Ο εξοπλισμός έρχεται σε χαρτοκιβώτιο(*).

Είναι στερεωμένος σε μια παλέτα με τρεις βίδες.

Για την εκφόρτωση χρησιμοποιήστε ένα περονοφόρο ανυψωτικό όχημα ή ένα κατάλληλο παλετοφόρο.

Ο συσκευασμένος εξοπλισμός μπορεί να τοποθετηθεί οριζόντια και με την πίσω επιφάνεια προς τα κάτω για να διευκολυνθεί το ξεβίδωμα των βιδών στερέωσης.

Η αποσυσκευασία πρέπει να γίνει προσεκτικά για να μην καταστραφεί το περίβλημα του εξοπλισμού, εάν χρησιμοποιούνται μαχαιρία ή κόφτες για το άνοιγμα του χαρτοκιβωτίου.

Μετά την αφαίρεση της συσκευασίας, ελέγξτε την ακεραιότητα της μονάδας. Σε περίπτωση αμφιβολίας, μην χρησιμοποιείτε τη μονάδα και επικοινωνήστε με εξουσιοδοτημένο τεχνικό προσωπικό.

Πριν από την απόρριψη της συσκευασίας, σύμφωνα με τους ισχύοντες κανονισμούς προστασίας του περιβάλλοντος, βεβαιωθείτε ότι έχουν αφαιρεθεί όλα τα παρεχόμενα παρελκόμενα.

(*) Σημείωση: Ο τύπος της συσκευασίας μπορεί να αλλάξει κατά τη διακριτική ευχέρεια του κατασκευαστή.

Για ολόκληρο το χρονικό διάστημα που ο εξοπλισμός παραμένει αδρανής, μέχρι την αρχική εκκίνηση, συνιστάται να τοποθετηθεί σε χώρο που προστατεύεται από τους ατμοσφαιρικούς παράγοντες

3.1 Παραλαβή

Εκτός από τις μονάδες, οι συσκευασίες περιέχουν παρελκόμενα και τεχνική τεκμηρίωση για την χρήση και την εγκατάσταση. Βεβαιωθείτε ότι υπάρχουν τα εξής:

- 1x εγχειρίδιο χρήσης, εγκατάστασης και συντήρησης
- 3x άγκιστρα στερέωσης και βίδες
- 1x θερμικός διακόπτης (μόνο για τα EKHHE200PCV3 και EKHHE260PCV3).

Για ολόκληρο το χρονικό διάστημα που ο εξοπλισμός παραμένει αδρανής, μέχρι την αρχική εκκίνηση, συνιστάται να τοποθετηθεί σε χώρο που προστατεύεται από τους ατμοσφαιρικούς παράγοντες.

Θέσεις που επιτρέπονται για τη μεταφορά και τον χειρισμό

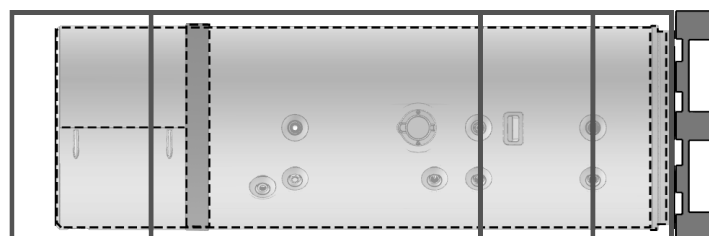


ΕΙΚ. 1

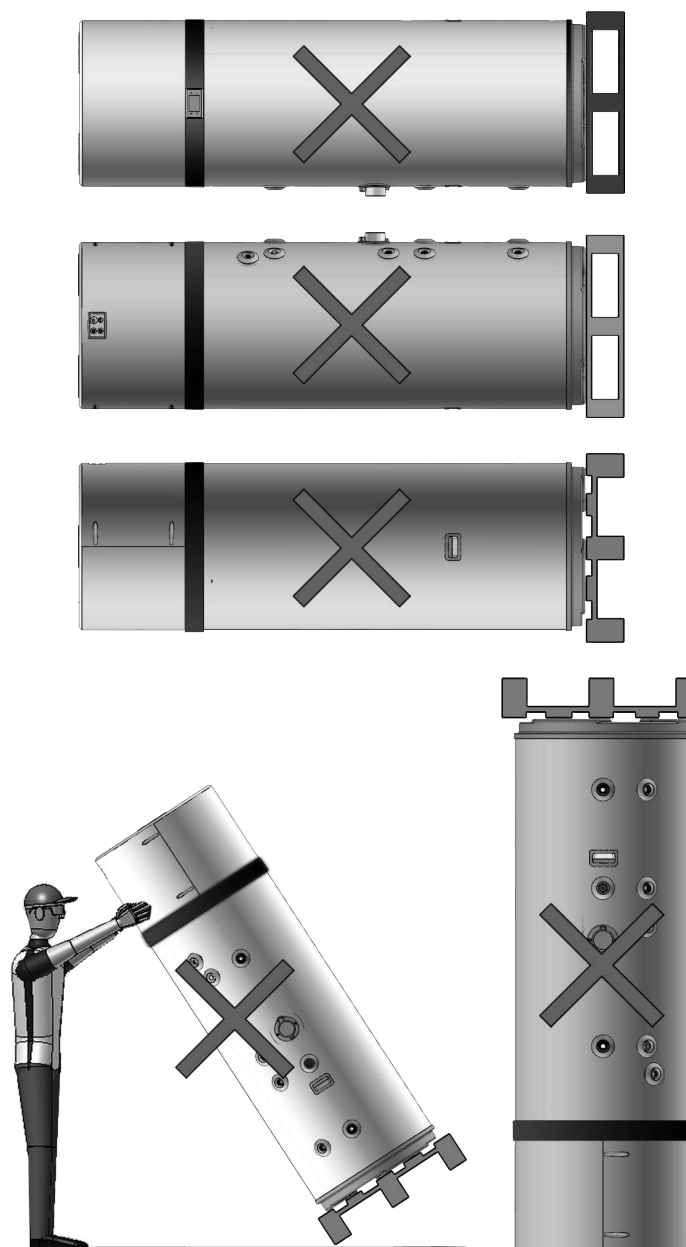
! ΠΡΟΣΟΧΗ! Κατά τις φάσεις χειρισμού και εγκατάστασης του προϊόντος, στο πάνω μέρος του δεν επιτρέπεται να τοποθετηθεί κανένα φορτίο, καθώς δεν είναι δομικό στοιχείο.

! ΠΡΟΣΟΧΗ! Η μεταφορά σε οριζόντια θέση επιτρέπεται μόνο για το τελευταίο χιλιόμετρο σύμφωνα με τις υποδείξεις (βλ. "Θέσεις που δεν επιτρέπονται για τη μεταφορά και τον χειρισμό"), εξασφαλίζοντας ότι τα υποστηρίγματα είναι τοποθετημένα με τέτοιο τρόπο στον πυθμένα του λέβητα ώστε να μην ασκούν πίεση στο πάνω μέρος, καθώς αυτό δεν αποτελεί δομικό στοιχείο. Κατά την διάρκεια της μεταφοράς σε οριζόντια θέση, η οθόνη πρέπει να βλέπει προς τα πάνω.

Θέση επιτρεπόμενη μόνο για το τελευταίο χιλιόμετρο

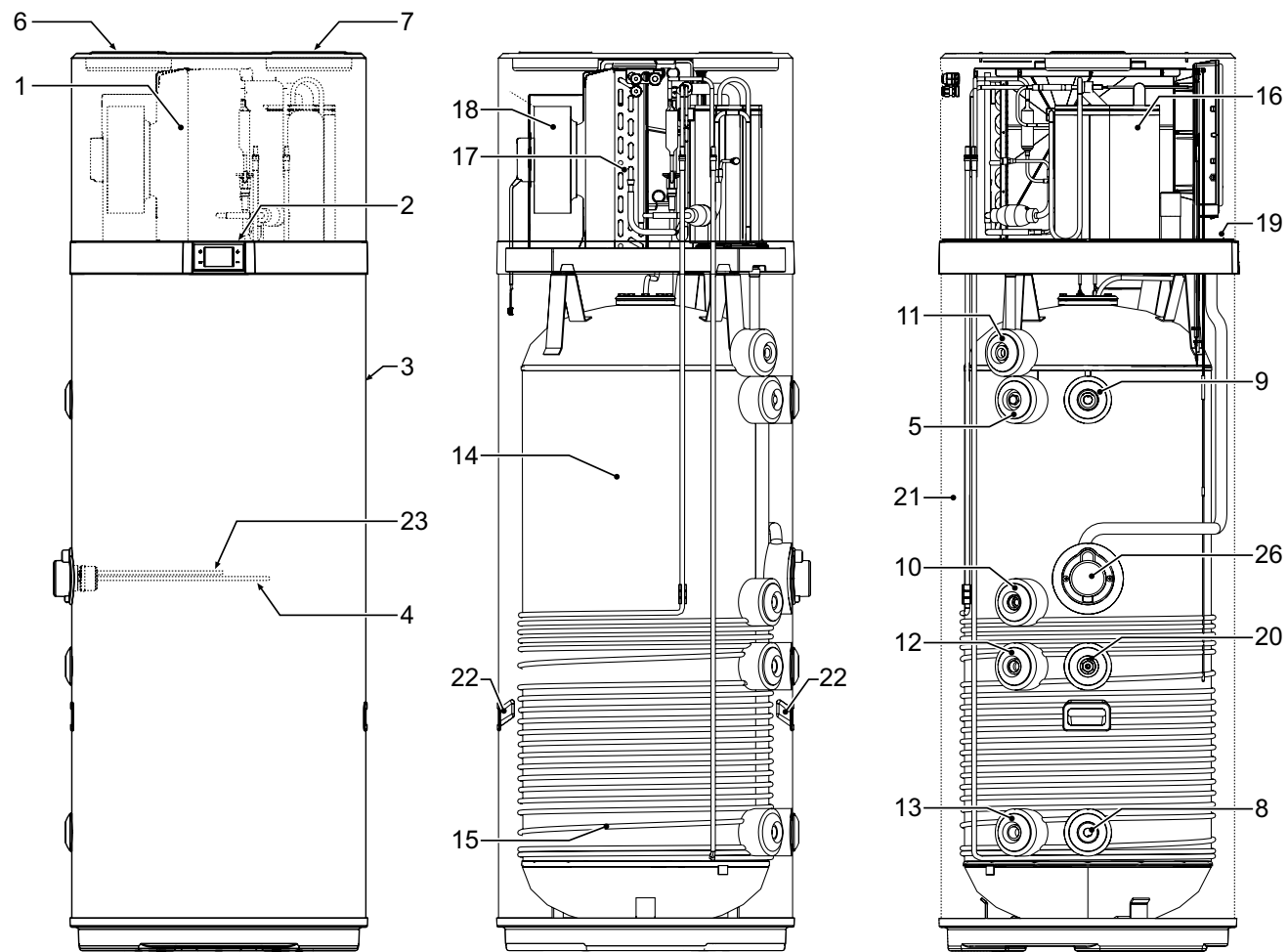


Θέσεις που δεν επιτρέπονται για τη μεταφορά και τον χειρισμό

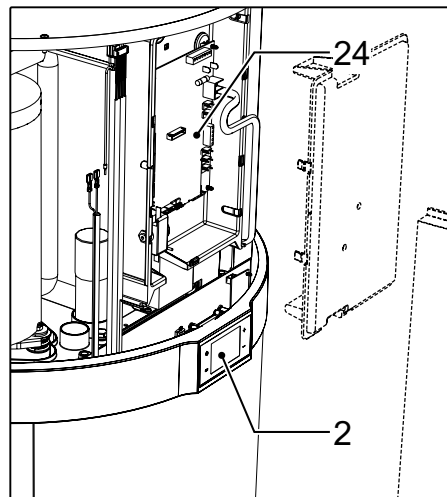


ΕΙΚ. 2

4. ΚΑΤΑΣΚΕΥΑΣΤΙΚΑ ΧΑΡΑΚΤΗΡΙΣΤΙΚΑ



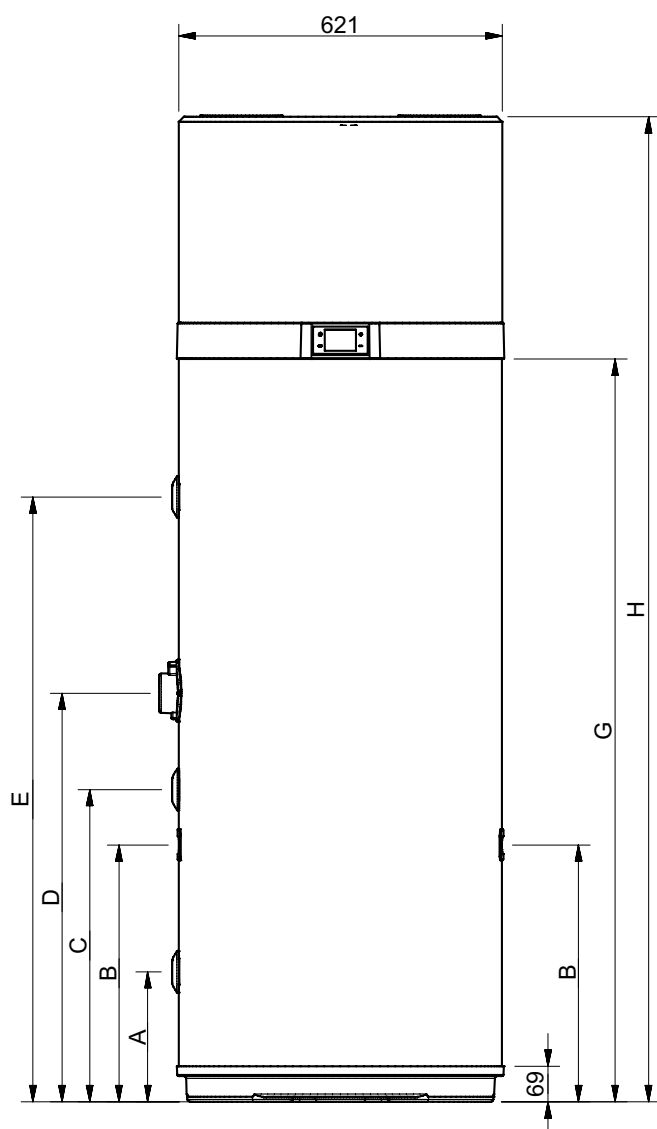
ΕΙΚ. 3



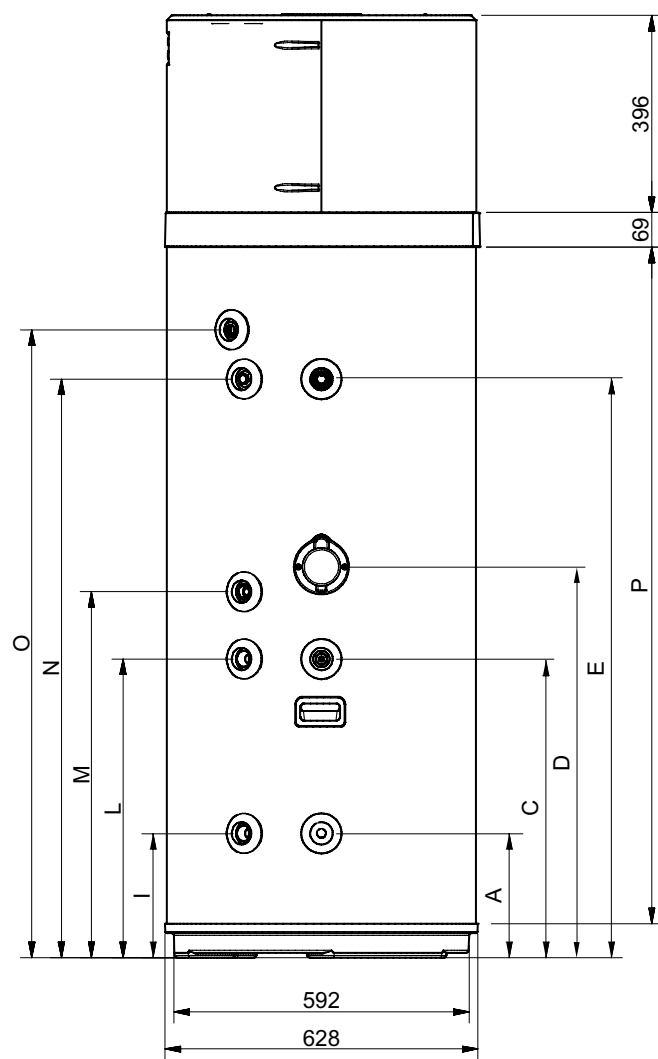
- 1 Αντλία θερμότητας
- 2 Οθόνη χειρισμού
- 3 Χαλύβδινο περίβλημα
- 4 Θερμαντικό στοιχείο
- 5 Ανόδιο μαγνησίου
- 6 Είσοδος αέρα εξαερισμού (Ø 160 mm)
- 7 Έξοδος αέρα εξαερισμού (Ø 160 mm)
- 8 Σύνδεση εισόδου κρύου νερού
- 9 Σύνδεση εξόδου ζεστού νερού

- 10 Πρόβλεψη για ανακυκλοφορία
- 11 Αποστράγγιση συμπυκνωμάτων
- 12 Πρόβλεψη για είσοδο σερπαντίνας ηλιακού
Μόνο για τα μοντέλα **EKHH200PCV37**
EKHH260PCV37
- 13 Πρόβλεψη για έξοδο σερπαντίνας ηλιακού
Μόνο για τα μοντέλα **EKHH200PCV37**
EKHH260PCV37
- 14 Χαλύβδινο δοχείο με επίστρωση υαλοειδούς σμάλτου κατά DIN 4753-3
- 15 Συμπυκνωτής
- 16 Περιστροφικός συμπιεστής
- 17 Πτερυγιοφόρος εξαμιστής
- 18 Ηλεκτρονικός ανεμιστήρας
- 19 Αισθητήρες λέβητα
- 20 Εσοχή στήριξης αισθητήρα για ηλιακό - Μόνο για τα μοντέλα **EKHH200PCV37**
EKHH260PCV37
- 21 Μόνωση πολυουρεθάνης
- 22 Λαβές μεταφοράς
- 23 Σωλήνας στοιχείου θερμοστάτη ασφαλείας
- 24 Πίνακας τροφοδοσίας
- 26 Θήκη για πρόσβαση σε θερμαντικό στοιχείο και στοιχείο θερμοστάτη ασφαλείας

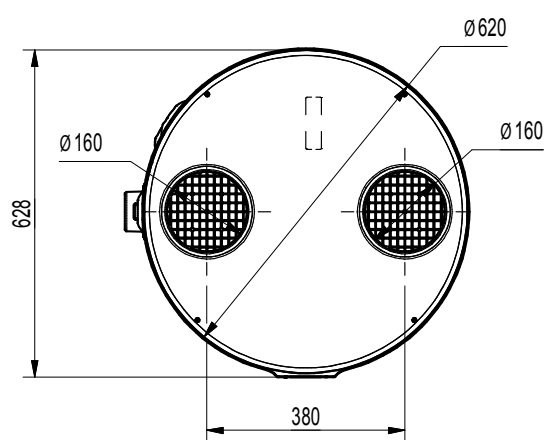
4.1 Διαστάσεις



ΕΙΚ. 4



ΕΙΚ. 5



ΕΙΚ. 6

ΜΟΝΤΕΛΟ	Ø	ΕΚΗΗΕ200PCV37	ΕΚΗΗΕ260PCV37	ΕΚΗΗΕ200CV37	ΕΚΗΗΕ260CV37	MM
A	1" G	250	250	250	250	mm
B	-	490	493	/	/	mm
C	1/2" G	600	600	600	600	mm
D	-	705	785	705	785	mm
E	1" G	876,5	1162	876,5	1162	mm
G	-	1142	1427	1142	1427	mm
H	-	1607	1892	1607	1892	mm
I	3/4" G	250	250	/	/	mm
L	3/4" G	599	600	/	/	mm
M	3/4" G	705	735	705	735	mm
N	3/4" G	877	1162	877	1162	mm
O	1/2" G	976	1261	976	1261	mm
P	-	1073	1358	1073	1358	mm

*O - Σύνδεση εξόδου σε πλαστικό υλικό

4.2 Τεχνικά χαρακτηριστικά

Μοντέλο	ΕΚΗΗΕ200CV37	ΕΚΗΗΕ260CV37	ΕΚΗΗΕ200PCV37	ΕΚΗΗΕ260PCV37	M.M.	
Γενικά δεδομένα	Παρεχόμενη τάση	230 Vac-50 Hz				-
	Περιεχόμενο δοχείου νερού - V _{nom}	192	250	187	247	dm ³
	Μέγιστη πίεση εισερχόμενου νερού	0,7	0,7	0,7	0,7	MPa
	Βάρος κενό	85	97	96	106	kg
	Βάρος κατά τη λειτουργία	277	347	283	353	kg
	Διαστάσεις (φχh)	621 x 1607	621 x 1892	621 x 1607	621 x 1892	mm
	Μέγ. θερμοκρασία ζεστού νερού με αντλία θερμότητας	62	62	62	62	°C
	Μέγ. θερμοκρασία ζεστού νερού με πρόσθετο ηλεκτρικό σύστημα θέρμανσης	75	75	75	75	°C
Δοχείο ZNX	Υλικό	Επισμαλτωμένος χάλυβας				-
	Καθοδική προστασία	Ανόδιο ράβδου Mg				-
	Μονωτική ταινία	Πολυουρεθάνη				-
	Πάχος μόνωσης	50	50	50	50	mm
Ηλεκτρικά δεδομένα αντλίας θερμότητας	Μέση είσοδος ισχύος στη θέρμανση	430	430	430	430	W
	Μέγιστη είσοδος ισχύος	530	530	530	530	W
	Μέγιστη είσοδος ρεύματος	2,43	2,43	2,43	2,43	A
Ηλεκτρικά δεδομένα ηλεκτρικού συστήματος θέρμανσης	Τάση τροφοδοσίας	230 Vac-50 Hz				-
	Είσοδος ισχύος	1500	1500	1500	1500	W
	Είσοδος ρεύματος	6,5	6,5	6,5	6,5	A
Ηλεκτρικά δεδομένα αντλίας θερμότητας + ηλεκτρικού συστήματος θέρμανσης	Μέγιστη είσοδος ισχύος	1960	1960	1960	1960	W
	Μέγιστη είσοδος ρεύματος	8,5	8,5	8,5	8,5	A
Κύκλωμα αέρα	Τύπος ανεμιστήρα	Φυγοκεντρικός				-
	Παροχή όγκου αέρα	450	450	450	450	m ³ /h
	Διαθέσιμη εξωτερική στατική πίεση	117	117	117	117	Pa
	Διάμετρος αεραγωγών	160	160	160	160	mm
Κύκλωμα ψυκτικού	Συμπιεστής	Περιστροφικός				-
	Ψυκτικό μέσο	R134a				-
	Πλήρωση ψυκτικού	1	1	1	1	kg
	Εξατμιστής	Coil χαλκού-αλουμινίου με πτερύγια				-
	Συμπυκνωτής	Σωλήνας αλουμινίου που τυλίγεται έξω από το δοχείο				-
Coil ηλιακών	Υλικό	-	-	Επισμαλτωμένος χάλυβας	Επισμαλτωμένος χάλυβας	-
	Επιφάνεια	-	-	0,72	0,72	m ²
	Μέγ. πίεση	-	-	1	1	MPa
Δεδομένα σύμφωνα με το πρότυπο EN 16147: 2017 για ΜΕΣΕΣ κλιματικές συνθήκες (μονάδα στη λειτουργία ECO, Σημείο ρύθμισης ζεστού νερού = 55°C, εισερχόμενο νερό = 10°C; Θερμοκρασία αέρα εισόδου = 7°C DB / 6°C WB)	Προφίλ φορτίου	L	XL	L	XL	-
	Κατηγορία ενεργειακής απόδοσης θέρμανσης νερού *	A+	A+	A+	A+	-
	Ενεργειακή απόδοση θέρμανσης νερού - η _{wh}	135	138	135	138	%
	COP _{DHW}	3,23	3,37	3,23	3,37	-
	Μέγιστος όγκος μικτού νερού στους 40°C - V ₄₀	247	340	241	335	dm ³
	Θερμοκρασία ζεστού νερού αναφοράς - θ _{wh}	52,5	53,2	52,5	53,2	°C
	Ονομαστική έξοδος θερμότητας - Ονομαστική τιμή P	1,339	1,249	1,339	1,249	kW
	Χρόνος θέρμανσης - t _h	06:27	09:29	06:27	09:29	ωω:λλ
	Ετήσια κατανάλωση ηλεκτρικού ρεύματος - AEC	761	1210	761	1210	kWh
	Είσοδος ισχύος σε αναμονή (P _{es})	26	28	26	28	W
Δεδομένα σύμφωνα με το πρότυπο EN 12102-2: 2019, λειτουργία ECO με θερμοκρασία αέρα εισόδου = 7°C DB / 6°C WB	Στάθμη ηχητικής ισχύος εσωτερικής μονάδας	53	51	53	51	dB(A)
	Στάθμη ηχητικής ισχύος εξωτερικής μονάδας	45	44	45	44	dB(A)

5. ΣΗΜΑΝΤΙΚΕΣ ΠΛΗΡΟΦΟΡΙΕΣ

5.1 Συμμόρφωση με τους ευρωπαϊκούς κανονισμούς

Αυτή η αντλία θερμότητας είναι ένα προϊόν που προορίζεται για οικιακή χρήση σε συμμόρφωση με τις ακόλουθες ευρωπαϊκές οδηγίες:

- Οδηγία 2012/19/ΕΕ σχετικά με τα απόβλητα ηλεκτρικού και ηλεκτρονικού εξοπλισμού (ΑΗΗΕ)
- Οδηγία 2011/65/ΕΕ για τον περιορισμό της χρήσης ορισμένων επικίνδυνων ουσιών σε ηλεκτρικό και ηλεκτρονικό εξοπλισμό (RoHS)
- Οδηγία 2014/30/ΕΕ για την ηλεκτρομαγνητική συμβατότητα (ΗΜΣ)
- Οδηγία 2014/35/ΕΕ για ηλεκτρολογικό υλικό χαμηλής τάσης (LVD)
- Οδηγία 2009/125/ΕΕ για τον καθορισμό απαιτήσεων οικολογικού σχεδιασμού
- Κανονισμός 2017/1369/ΕΕ για την ενεργειακή σήμανση

5.2 Βαθμός προστασίας περιβλήματος

Ο βαθμός προστασίας του εξοπλισμού είναι: **IP24**.

5.3 Περιορισμοί λειτουργίας



ΑΠΑΓΟΡΕΥΣΗ! Αυτό το προϊόν δεν έχει σχεδιαστεί, ούτε προορίζεται για χρήση σε επικίνδυνα περιβάλλοντα (λόγω της παρουσίας δυνητικώς εκρηκτικής ατμόσφαιρας ή με ένα απαιτούμενο επίπεδο IP υψηλότερο από αυτό του εξοπλισμού), ή σε εφαρμογές που απαιτούν χαρακτηριστικά ασφαλείας (ανοχή σε σφάλματα, προστασία από βλάβη) που μπορεί να είναι συστήματα ή/και τεχνολογίες υποστήριξης της ζωής ή σε οποιοδήποτε άλλο περιβάλλον στο οποίο η δυσλειτουργία μιας εφαρμογής θα μπορούσε να προκαλέσει θάνατο ή τραυματισμό ατόμων ή ζώων ή σοβαρή ζημία σε αντικείμενα ή στο περιβάλλον.



ΣΗΜ.: Αν η πιθανότητα βλάβης ή αστοχίας ενός προϊόντος μπορεί να προκαλέσει ζημιά (σε ανθρώπους, ζώα και περιουσία), είναι απαραίτητο να προβλεφθεί ένα ξεχωριστό σύστημα παρακολούθησης της λειτουργίας εξοπλισμένο με λειτουργίες συναγερμού, προκειμένου να αποκλειστεί αυτή η ζημιά. Είναι επίσης απαραίτητο να κανονίσετε τη διαδικασία αντικατάστασης!

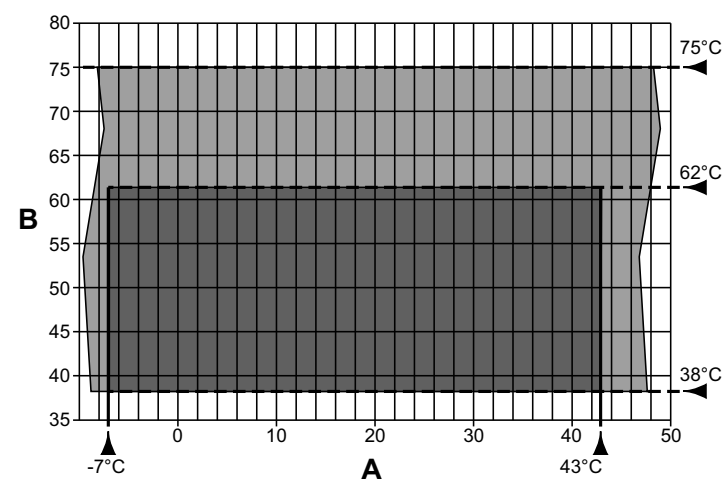


Η συσκευή δεν έχει σχεδιαστεί για εγκατάσταση σε εξωτερικούς χώρους, αλλά σε "κλειστό" μέρος που δεν εκτίθεται στα καιρικά φαινόμενα.

5.4 Περιορισμοί λειτουργίας

Το εν λόγω προϊόν έχει σχεδιαστεί αποκλειστικά για τη θέρμανση ζεστού νερού για οικιακή χρήση εντός των ορίων που περιγράφονται παρακάτω. Για το σκοπό αυτό, πρέπει να συνδεθεί με την παροχή ύδρευσης και την τροφοδοσία (βλ. κεφάλαιο "6. ΕΓΚΑΤΑΣΤΑΣΗ ΚΑΙ ΣΥΝΔΕΣΕΙΣ").

5.4.1 Εύρος θερμοκρασίας



εικ. 7- Διάγραμμα

A = Θερμοκρασία αέρα εισόδου (°C)

B = Θερμοκρασία ζεστού νερού (°C)

■ = Εύρος λειτουργίας της αντλίας θερμότητας (ΑΘ)

■ = Ενσωμάτωση μόνο με θερμαντικό στοιχείο

5.4.2 Σκληρότητα νερού

Η μονάδα δεν πρέπει να λειτουργεί με νερό σκληρότητας κάτω από 12°F. Ωστόσο, με ιδιαίτερα σκληρό νερό (πάνω από 25°F), συνιστάται να χρησιμοποιείτε αποσκληρυντικό νερού, που να βαθμονομείται και να ελέγχεται κατάλληλα. Σε αυτή την περίπτωση, η υπολειπόμενη σκληρότητα δεν πρέπει να είναι μικρότερη από 15°F.



ΣΗΜ.: Στη φάση σχεδιασμού και κατασκευής των εγκαταστάσεων, πρέπει να τηρούνται οι ισχύοντες τοπικοί κανονισμοί και διατάξεις.

5.5 Βασικοί κανόνες ασφαλείας

- Το προϊόν πρέπει να χρησιμοποιείται από ενήλικες.
- Μην ανοίγετε ή αποσυναρμολογείτε το προϊόν, όταν είναι συνδεδεμένο στην παροχή ρεύματος.
- Μην αγγίζετε τη συσκευή εάν είστε ζυπόλητοι ή με υγρά μέρη του σώματός σας.
- Μην βρέχετε και μην ψεκάζετε νερό πάνω στο προϊόν.
- Μην σκαρφαλώνετε, κάθεστε ή/και μην τοποθετείτε οποιοδήποτε είδος αντικειμένου πάνω στο προϊόν.

5.6 Πληροφορίες σχετικά με το χρησιμοποιούμενο ψυκτικό

Αυτό το προϊόν περιέχει φθοριούχα αέρια του θερμοκηπίου που περιλαμβάνονται στο πρωτόκολλο του Κιότο. Μην απελευθερώνετε αυτά τα αέρια στην ατμόσφαιρα.
Τύπος ψυκτικού: HFC-R134a.

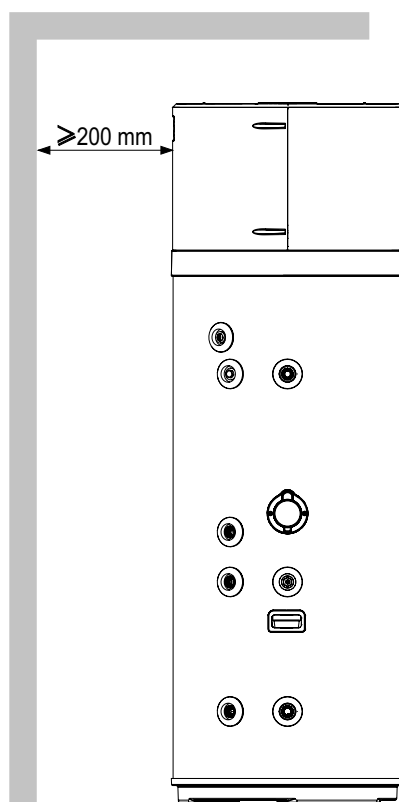


ΣΗΜ.: Οι εργασίες συντήρησης και απόρριψης πρέπει να διεξάγονται μόνο από εξειδικευμένο προσωπικό.

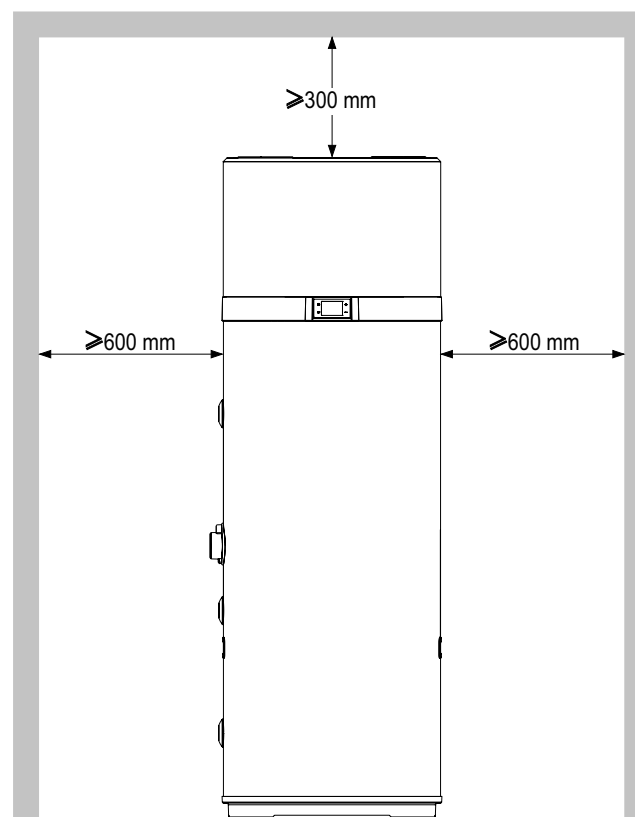
6. ΕΓΚΑΤΑΣΤΑΣΗ ΚΑΙ ΣΥΝΔΕΣΕΙΣ

6.1 Προετοιμασία του χώρου εγκατάστασης

Το προϊόν πρέπει να εγκατασταθεί σε κατάλληλο χώρο, δηλ., να επιτρέπει την κανονική χρήση και ρύθμιση της λειτουργίας καθώς και την τακτική και έκτακτη συντήρηση.
Ο απαραίτητος χώρος λειτουργίας πρέπει επομένως να προετοιμαστεί σύμφωνα με τις διαστάσεις που δίνονται στην εικ. 8 και εικ. 9.



εικ. 8- Ελάχιστος χώρος



εικ. 9- Ελάχιστος χώρος

Ο χώρος πρέπει επίσης:

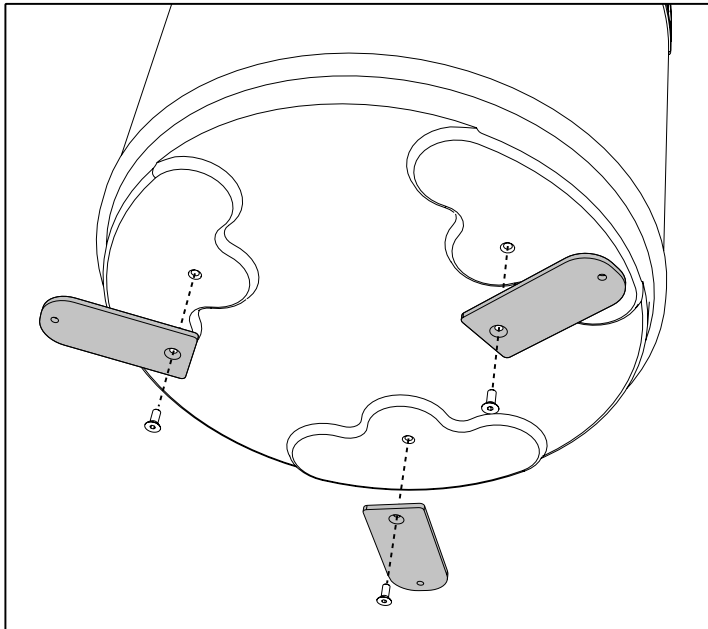
- Να έχει επαρκείς γραμμές παροχής νερού ή ρεύματος.
- Να έχει αναμονή για τη σύνδεση εκκένωσης νερού συμπίκνωσης.
- Να έχει αναμονή με επαρκή αποχέτευση νερού για περιπτώσεις βλάβης του λέβητα ή λειτουργίας της βάνας ασφαλείας ή θραύσης σωλήνων/συνδέσεων.
- Να διαθέτει συστήματα περιορισμού σε περίπτωση σημαντικών διαρροών νερού.
- Να φωτίζεται επαρκώς (όπου απαιτείται).
- Να μην είναι μικρότερος από 20 m³ σε όγκο.
- Να είναι προστατευμένος έναντι παγετού και στεγνός.



ΠΡΟΣΟΧΗ! Για να αποφευχθεί η μετάδοση μηχανικών κραδασμών, μην εγκαθιστάτε τον εξοπλισμό σε δάπεδα με ξύλινες δοκούς (π.χ. σε σοφίτα).

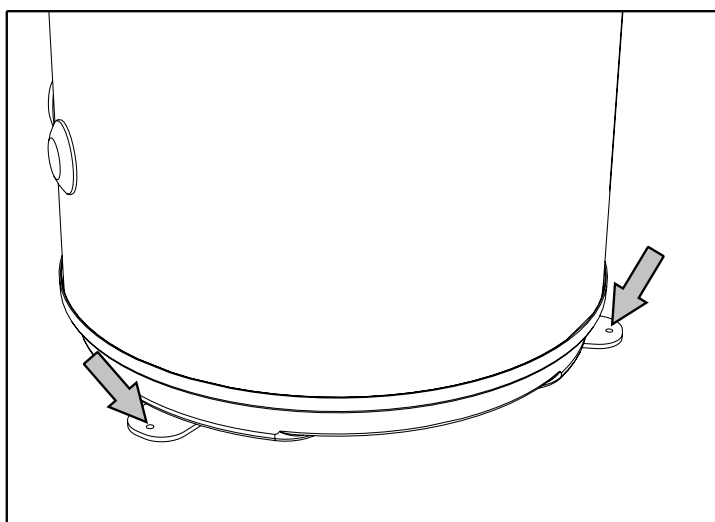
6.2 Στερέωση στο δάπεδο

Για να στερεώσετε το προϊόν στο δάπεδο, βιδώστε τα άγκιστρα που παρέχονται όπως υποδεικνύεται στην εικ. 10.



εικ. 10- Βίδωμα των άγκιστρων

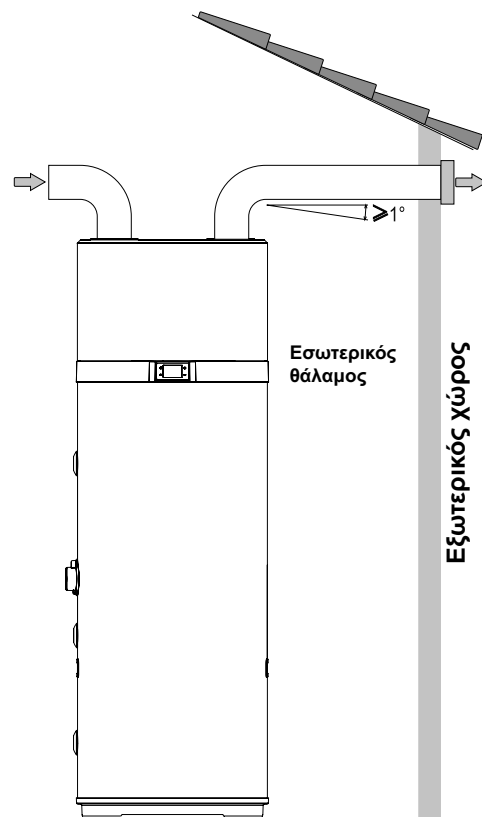
Στη συνέχεια, στερεώστε τη μονάδα στο δάπεδο με τη βοήθεια κατάλληλων βυσμάτων (ούπια), που δεν παρέχονται, όπως φαίνεται στην εικ. 11.



εικ. 11- Στερέωση στο δάπεδο

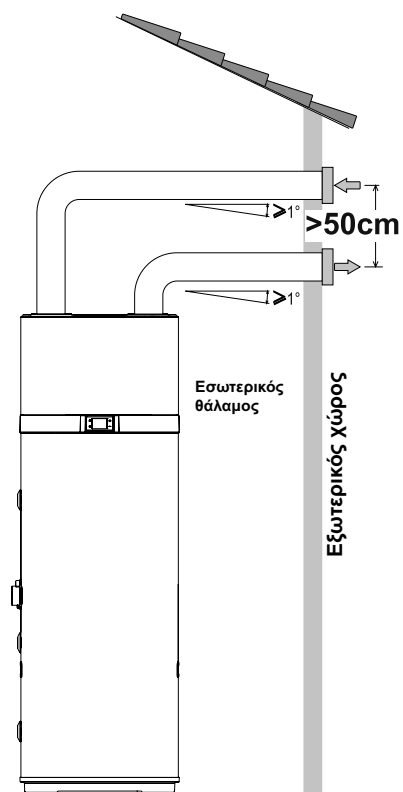
6.3 Αεραλικές συνδέσεις

Επιπλέον των χώρων που υποδεικνύονται στην παράγραφο 6.1, η αντλία θερμότητας απαιτεί επαρκή αερισμό. Δημιουργήστε έναν ειδικό αεραγωγό όπως υποδεικνύεται στην εικ. 12.



εικ. 12- Παράδειγμα σύνδεσης αεραγωγού εξόδου αέρα

Είναι επίσης σημαντικό να εξασφαλιστεί επαρκής αερισμός του χώρου που βρίσκεται η μονάδα. Μια εναλλακτική λύση φαίνεται στην παρακάτω εικόνα (εικ. 13): προβλέπει έναν δεύτερο αγωγό που παίρνει αέρα απέξω αντί απευθείας από το εσωτερικό του χώρου.



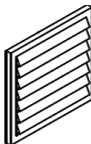


εικ. 13- Παράδειγμα σύνδεσης αεραγωγού εξόδου αέρα

Εγκαταστήστε κάθε αεραγωγό, διασφαλίζοντας ότι:

- Δεν επιβαρύνει τον εξοπλισμό.
- Επιτρέπει τις εργασίες συντήρησης.
- Προστατεύεται επαρκώς για να αποτρέψει την τυχαία εισβολή υλικών μέσα στον εξοπλισμό.
- Η σύνδεση με τον εξωτερικό χώρο πρέπει να γίνεται με κατάλληλες, μη εύφλεκτες σωληνώσεις.
- Το συνολικό ισοδύναμο μήκος των σωλήνων εξαγωγής συν την εισαγωγή, μαζί με τις περσίδες/γρίλιες, δεν πρέπει να υπερβαίνει τα 12 m.

Ο πίνακας παρέχει τα χαρακτηριστικά στοιχεία των εξαρτημάτων αγωγών του εμπορίου για τις ονομαστικές ροές αέρα και διαμέτρους 160 mm.

Δεδομένα	Λείος ευθύς σωλήνας	Ομαλή καμπύλη 90°	Γρίλια	MM
Τύπος				
Πραγματικό μήκος	1	1	1	m
Ισοδύναμο μήκος	1	2	2	m

i Κατά τη λειτουργία, η αντλία θερμότητας τείνει να μειώνει τη θερμοκρασία του χώρου εάν ο αεραγωγός δεν απάγει τον αέρα προς τα έξω.

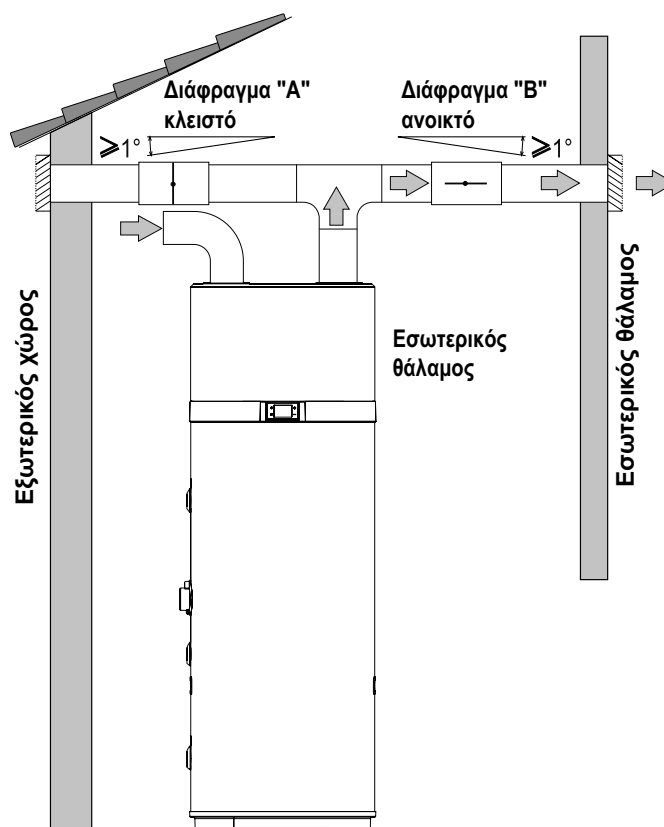
i Πρέπει να τοποθετηθεί μια κατάλληλη προστατευτική μάσκα στον σωλήνα εξαγωγής αέρα προς τα έξω για να αποφευχθεί η είσοδος ξένων σωμάτων μέσα στον εξοπλισμό. Για να εξασφαλιστεί η μέγιστη απόδοση του προϊόντος, η περσίδα/εσχάρα πρέπει να επιλεγεί από αυτές με χαμηλή πτώση πίεσης.

i Για την αποφυγή σχηματισμού συμπυκνωμάτων: μονώστε τους αεραγωγούς εξαγωγής και τις συνδέσεις του καλύμματος των αεραγωγών με ατμοστεγή θερμική επένδυση επαρκούς πάχους.

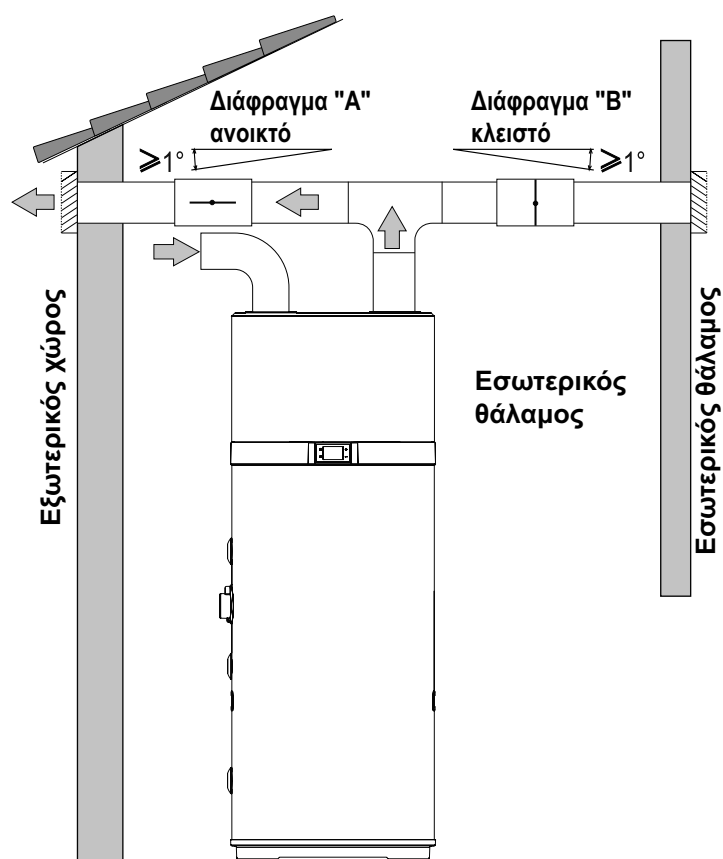
i Εγκαταστήστε σιγαστήρες εάν κριθεί απαραίτητο για την αποφυγή θορύβου λόγω της ροής. Εξοπλίστε τους σωλήνες, τις οπές εξόδου στον τοίχο και τις συνδέσεις στην αντλία θερμότητας με συστήματα απόσβεσης κραδασμών.

6.3.1 Ειδική εγκατάσταση

Μία από τις ιδιαιτερότητες των συστημάτων θέρμανσης με αντλία θερμότητας είναι ότι αυτές οι μονάδες μειώνουν σημαντικά τη θερμοκρασία του αέρα, που γενικά απορρίπτεται έξω από το σπίτι. Εκτός του ότι ο απορριπτόμενος αέρας είναι πιο κρύος από τον αέρα του περιβάλλοντος, επίσης έχει εντελώς αφυγρανθεί, επομένως η ροή του αέρα μπορεί να διοχετευθεί στο εσωτερικό για τον καλοκαιρινό κλιματισμό συγκεκριμένων δωματίων ή περιοχών. Η εγκατάσταση προβλέπει τη διακλάδωση του αεραγωγού εξαγωγής, ο οποίος είναι εφοδιασμένος με δύο κλαπέτα ("A" και "B") για την κατεύθυνση της ροής του αέρα προς τα έξω (εικ. 15) ή προς το εσωτερικό του σπιτιού (εικ. 14).



εικ. 14- Παράδειγμα εγκατάστασης στην καλοκαιρινή περίοδο



εικ. 15- Παράδειγμα εγκατάστασης στην χειμερινή περίοδο

6.4 Στερέωση και συνδέσεις της συσκευής

Η συσκευή πρέπει να τοποθετείται σε ένα σταθερό, επίπεδο δάπεδο που δεν υπόκειται σε κραδασμούς.

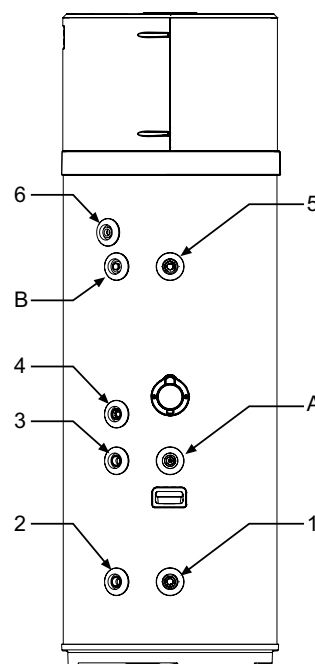
6.5 Υδραυλικές συνδέσεις

Συνδέστε την παροχή κρύου νερού και τη σωλήνωση εξόδου στα κατάλληλα σημεία σύνδεσης (εικ. 16).

Ο παρακάτω πίνακας δίνει τα χαρακτηριστικά των σημείων σύνδεσης.

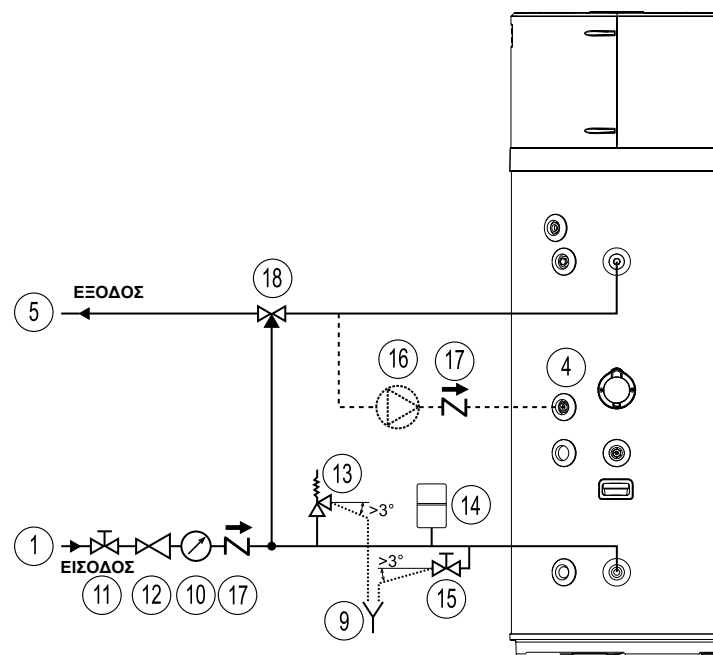
A/A	Λειτουργία	Μοντέλο 200 l / 260 l
1	Είσοδος κρύου νερού	1" G
2*	Έξοδος σερπαντίνας ηλιακού	3/4" G
3*	Είσοδος ηλιακής σερπαντίνας	3/4" G
4	Ανακυκλοφορία	3/4" G
5	Έξοδος ζεστού νερού	1" G
6	Δοχείο αποστράγγισης συμπυκνωμάτων	1/2" G
A*	Οπή για αισθητήρα ηλιακού και θερμικό διακόπτη	1/2" G

*: μόνο για τα μοντέλα ΕΚΗΗΕ200PCV37 και ΕΚΗΗΕ260PCV37.



εικ. 16

Η επόμενη εικόνα (εικ. 17) απεικονίζει ένα παράδειγμα υδραυλικής σύνδεσης.



εικ. 17- Παράδειγμα συστήματος νερού

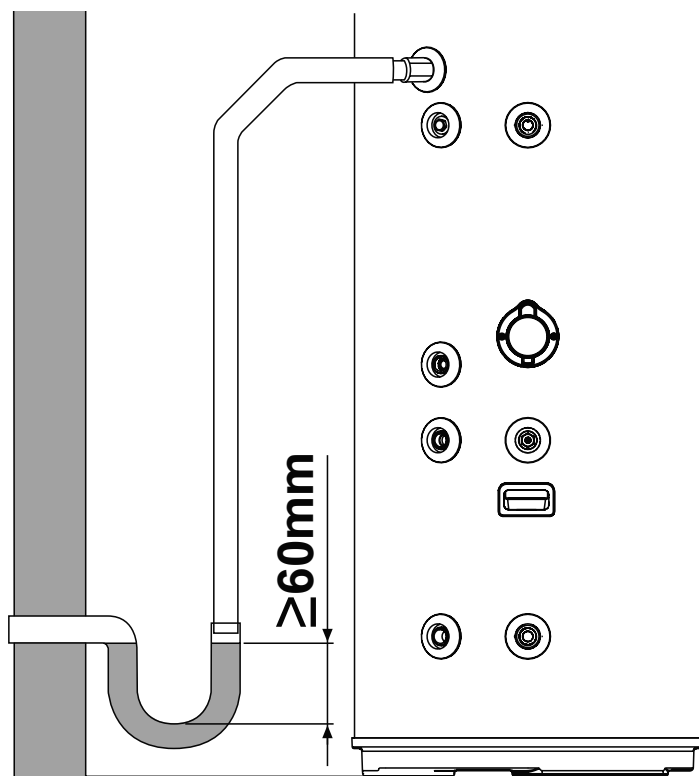
Υπόμνημα (εικ. 17)

- | | | | |
|----|---|----|---|
| 1 | Σωλήνας εισόδου νερού | 12 | Ρυθμιστής πίεσης |
| 4 | Εισαγωγή νερού ανακυκλοφορίας | 13 | Βάνα ασφαλείας |
| 5 | Σωλήνας εξόδου ζεστού νερού | 14 | Δοχείο διαστολής |
| 9 | Άκρο σωλήνα εκκένωσης με δυνατότητα ελέγχου | 15 | Τάπα αποστράγγισης |
| 10 | Μανόμετρο | 16 | Αντλία ανακύκλωσης |
| 11 | Βάνα αποκοπής | 17 | Βαλβίδα ελέγχου με ελατήριο |
| | | 18 | Αυτόματος εξοπλισμός ανάμιξης με θερμοστάτη |

6.5.1 Σύνδεση αποστράγγισης συμπυκνωμάτων

Το συμπύκνωμα που σχηματίζεται κατά τη λειτουργία της αντλίας θερμότητας ρέει μέσω ενός ειδικού σωλήνα αποστράγγισης (1/2 "G) που περνά μέσα από το μονωτικό περίβλημα και βγαίνει στο πλάι του εξοπλισμού.

Πρέπει να συνδέεται, μέσω σιφονιού, σε αποχετευτικό αγωγό έτσι ώστε το συμπύκνωμα να μπορεί να ρέει κανονικά (εικ. 18).

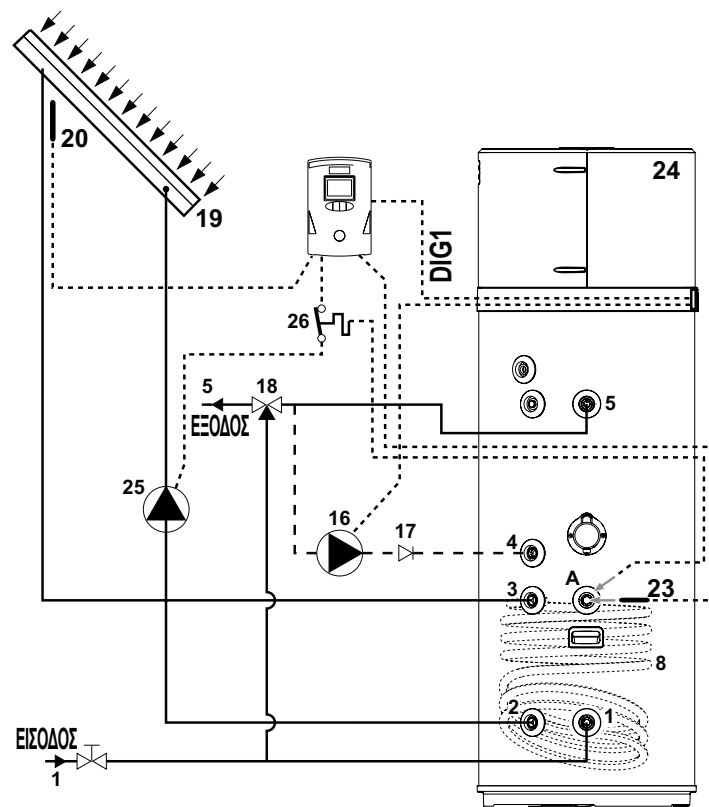


εικ. 18- Παράδειγμα σύνδεσης αποστράγγισης συμπυκνωμάτων μέσω σιφονιού

6.6 Συνδυασμός με σύστημα ηλιακού (μόνο για τα μοντέλα ΕΚΗΗΕ200PCV37 και ΕΚΗΗΕ260PCV37)

Η επόμενη εικόνα (εικ. 19) δείχνει πώς να συνδέσετε τον εξοπλισμό σε ένα σύστημα ηλιακού που ελέγχεται από έναν ειδικό ηλεκτρονικό ελεγκτή (δεν παρέχεται) που έχει έξοδο τύπου "χωρίς τάση" για σύνδεση με την είσοδο DIG.1 του εξοπλισμού (βλ. "6.7.1 Απομακρυσμένες συνδέσεις").

Για να χρησιμοποιήσετε τον εξοπλισμό με αυτήν τη διαμόρφωση, είναι απαραίτητο να ορίσετε την παράμετρο **P16 = 1** (βλ. παρ. 8.1).



εικ. 19

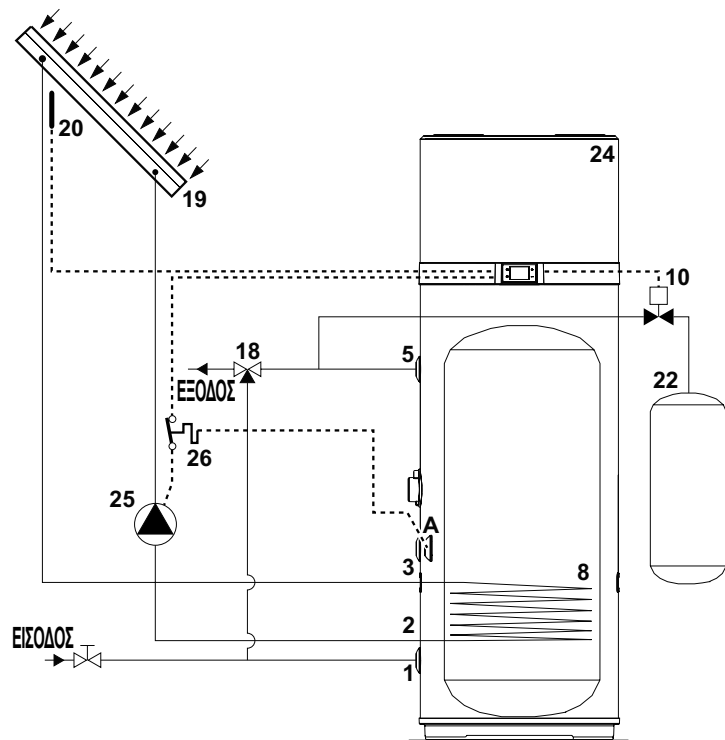
Οι επόμενες εικόνες (εικ. 20 και εικ. 21) δείχνουν πώς να συνδέσετε τον εξοπλισμό σε ένα σύστημα ηλιακού που ελέγχεται απευθείας από τον τελευταίο, χωρίς τη βοήθεια ειδικού ηλεκτρονικού ελεγκτή.

Στη διαμόρφωση της εικ. 20, σε περίπτωση υπερθέρμανσης του ηλιακού συλλέκτη, ενεργοποιείται μια βάνα αποστράγγισης (δεν παρέχεται) για εκτόνωση του ζεστού νερού που περιέχεται στον εξοπλισμό σε δεξαμενή αποθήκευσης ΖΝΧ.

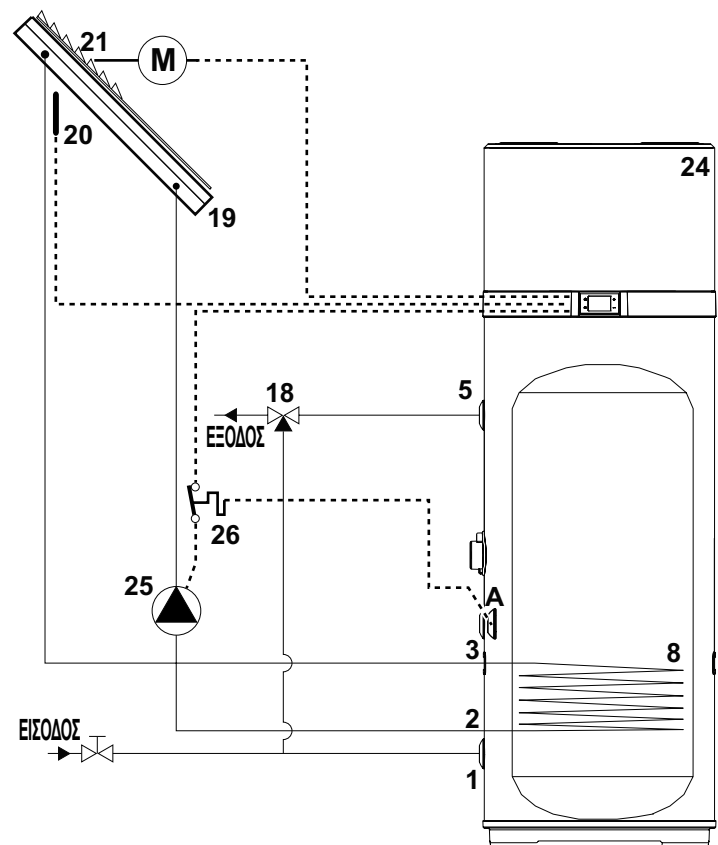
Στη διαμόρφωση της εικ. 21, ωστόσο, σε αυτήν την κατάσταση είναι κλειστό το διάφραγμα του ηλιακού συλλέκτη.

Και στις δύο περιπτώσεις αυτό συμβαίνει για να επιτρέψει στον συλλέκτη να κρυώσει.

Για να χρησιμοποιήσετε τον εξοπλισμό και στις δύο αυτές διαμορφώσεις, είναι απαραίτητο να ρυθμίσετε τις παραμέτρους **P12 = 2** και **P16 = 2** (βλ. παρ.8.1).



εικ. 20



εικ. 21

Λεζάντα (εικ. 19, εικ. 20 και εικ. 21)

- | | | | |
|----|--|----|---|
| 1 | Είσοδος κρύου νερού | 20 | Αισθητήρας ηλιακού συλλέκτη (PT1000 δεν παρέχεται*) |
| 2 | Έξοδος σερπαντίνας ηλιακού | 21 | Διάφραγμα ηλιακού συλλέκτη |
| 3 | Είσοδος σερπαντίνας ηλιακού | 22 | Χιτώνιο DHW |
| 4 | Ανακυκλοφορία | 23 | Αισθητήρας σερπαντίνας ηλιακού (δεν παρέχεται) |
| 5 | Έξοδος ζεστού νερού | 24 | Αντλία θερμότητας |
| 8 | Σερπαντίνα συστήματος ηλιακού | 25 | Αντλία ηλιακού (τύπος ΕΝΕΡΓΟΠΟΙΗΣΗ/ΑΠΕΝΕΡΓΟΠΟΙΗΣΗ (ON/OFF)) |
| 10 | Βάνα αποστράγγισης | 26 | Θερμική αποκοπή (παρέχεται) για αντλία ηλιακού |
| 16 | Αντλία ανακύκλωσης (Τύπος ΕΝΕΡΓΟΠΟΙΗΣΗ/ΑΠΕΝΕΡΓΟΠΟΙΗΣΗ) | A | Φρεάτιο για ηλιακό αισθητήρα και θερμική διακοπή |
| 17 | Βαλβίδα ελέγχου | | |
| 18 | Αυτόματη θερμοστατική συσκευή ανάμιξης | | |
| 19 | Ηλιακός συλλέκτης | | |

* Σας συμβουλεύουμε να χρησιμοποιήσετε τον αισθητήρα ηλιακού συλλέκτη PT1000 (διατίθεται στη λίστα παρελκομένων του κατασκευαστή)

6.7 Ηλεκτρολογικές συνδέσεις

Πριν από τη σύνδεση της συσκευής στο ηλεκτρικό δίκτυο, πρέπει να διεξαχθεί έλεγχος στο ηλεκτρικό σύστημα για να επιβεβαιωθεί η συμμόρφωση με τους ισχύοντες κανονισμούς και ότι το ηλεκτρικό σύστημα είναι κατάλληλο να αντέξει τις μέγιστες τιμές κατανάλωσης ισχύος του θερμοσίφωνα (ανατρέξτε στην παράγραφο 4.2 για τεχνικά χαρακτηριστικά), όσον αφορά το μέγεθος των καλωδίων και τη συμμόρφωσή τους με τους ισχύοντες κανονισμούς.

Η συσκευή παρέχεται με καλώδιο ρεύματος με ρευματολήπτη τύπου σούκο (εικ. 23) και για την σύνδεση με το ηλεκτρικό δίκτυο απαιτείται:

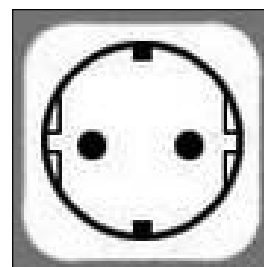
- πρίζα σούκο με γείωση και ξεχωριστή προστασία (εικ. 22),
- ένας πολυπολικός ασφαλειοδιακόπτης 16 A με άνοιγμα επαφής τουλάχιστον 3 mm,
- ένας διαφορικός ασφαλειοδιακόπτης 30 mA.

Απαγορεύεται η χρήση πολύπριζων, καλωδίου προέκτασης ή προσαρμογέα.

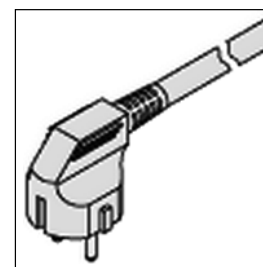
Απαγορεύεται η χρήση των σωλήνων από τα συστήματα νερού, θέρμανσης και αερίου για τη γείωση της συσκευής.

Πριν από τη λειτουργία της συσκευής, βεβαιωθείτε ότι η τάση του δικτύου ρεύματος συμμορφώνεται με την τιμή που υποδεικνύεται στην πινακίδα στοιχείων της συσκευής.

Ο κατασκευαστής της συσκευής ουδεμία ευθύνη φέρει για τυχόν ζημιά που προκαλείται από την παράλειψη γείωσης του συστήματος ή από δυσλειτουργίες στην τροφοδοσία ρεύματος.



εικ. 22 - Πρίζα σούκο



εικ. 23 - Ρευματολήπτης μονάδας

6.7.1 Απομακρυσμένες συνδέσεις

Ο εξοπλισμός είναι σχεδιασμένος να συνδέεται σε άλλα απομακρυσμένα ενεργειακά συστήματα ή συστήματα μετρήσεων (ηλιακό, φωτοβολταϊκό, παροχή ενέργειας χαμηλής χρέωσης)

ΕΙΣΟΔΟΙ

- Ψηφιακή 1 (**DIG1**). Ψηφιακή είσοδος για σύστημα ηλιακού (μόνο για τα μοντέλα **PCV3**). Σε περίπτωση συστήματος ηλιακού με ειδική μονάδα ελέγχου, η τελευταία μπορεί να συνδεθεί με τον εξοπλισμό για να απενεργοποιεί την αντλία θερμότητας όταν υπάρχει παραγωγή ενέργειας από ηλιακή πηγή. Έχοντας μια επαφή χωρίς τάση που κλείνει όταν το ηλιακό σύστημα είναι ενεργό, μπορεί να συνδεθεί με τους δύο αγωγούς **άσπρο** και **καφέ** του 6-πολικού καλωδίου που παρέχεται με τον εξοπλισμό. Θέστε την παράμετρο **P16 = 1** για να ενεργοποιήσετε την συμπληρωματική λειτουργία με το σύστημα ηλιακού.
- Ψηφιακή 2 (**DIG2**). Ψηφιακή είσοδος για φωτοβολταϊκό σύστημα. Σε περίπτωση συνδεδεμένου φωτοβολταϊκού συστήματος στην εγκατάσταση, μπορεί να χρησιμοποιηθεί για την αφαίρεση ενέργειας με τη μορφή ζεστού νερού σε περιόδους υπερπαραγωγής. Εάν υπάρχει επαφή χωρίς τάση, π.χ. από τον αντιστροφέα, η οποία κλείνει όταν υπάρχει υπερπαραγωγή ενέργειας, μπορεί να συνδεθεί με τους δύο αγωγούς **πράσινο** και **κίτρινο** του 6-πολικού καλωδίου που παρέχεται με τον εξοπλισμό. Θέστε την παράμετρο **P23 = 1** για να ενεργοποιήσετε την συμπληρωματική λειτουργία με το φωτοβολταϊκό.
- Ψηφιακή 3 (**DIG3**). Είσοδος για λειτουργία χαμηλής χρέωσης. Αυτή η λειτουργία, διαθέσιμη μόνο σε ορισμένες χώρες, επιτρέπει την ενεργοποίηση του εξοπλισμού με προνομιακή τιμή μόνο όταν υπάρχει σήμα που έρχεται απέξω. Εάν ο ηλεκτρικός διακόπτης έχει μια επαφή χωρίς τάση που κλείνει όταν είναι διαθέσιμη η προνομιακή τιμή, μπορεί να συνδεθεί με τους δύο αγωγούς **γκρι** και **ροζ** του 6-πολικού καλωδίου που παρέχεται με τον εξοπλισμό. Θέστε την παράμετρο **P24 = 1** για να ενεργοποιήσετε την χαμηλή χρέωση στην λειτουργία ECO ή **P24 = 2** για χαμηλή χρέωση στην λειτουργία AUTO.
- Ψηφιακή είσοδος (**LPSW**) για τον διακόπτη ροής του κυκλοφορητή του συστήματος ηλιακού/ZNX (δεν παρέχεται)
- Αναλογική είσοδος (**PT1000**) για τον αισθητήρα του ηλιακού συλλέκτη.

ΕΞΟΔΟΙ

Έξοδος 230 V AC - 16 A ηλεκτρονόμου με επαφή κανονικά ανοικτή N.O. για τον κυκλοφορητή ανακυκλοφορίας του συστήματος ηλιακού/ZNX (τύπου ON/OFF).

Έξοδος 230 V AC - 5 A ηλεκτρονόμου με επαφή κανονικά ανοικτή N.O. για το διάφραγμα ηλιακού συλλέκτη/βάνα αποστράγγισης.
Μόνο για τα μοντέλα PCV3

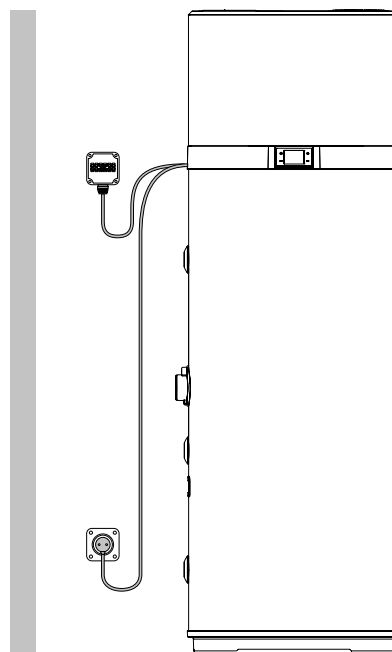


Σημείωση: Για περισσότερες πληροφορίες σχετικά με τις απομακρυσμένες συνδέσεις και τη διαμόρφωση του εξοπλισμού με αυτά τα συστήματα, ανατρέξτε στην παρ. "7.5 Τρόπος λειτουργίας" και "8.1.1 Λίστα παραμέτρων εξοπλισμού".

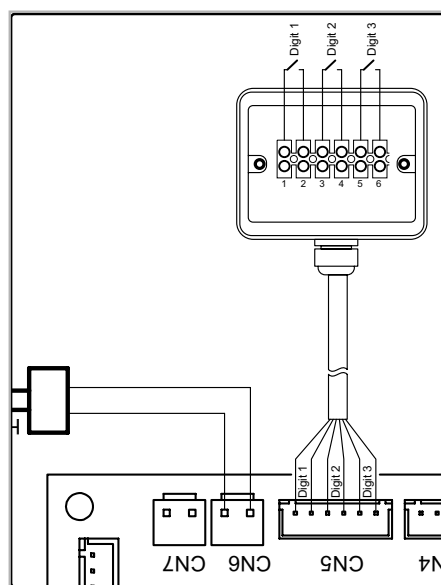
6.7.1.1 Απομακρυσμένη σύνδεση

Για τη σύνδεση με τις ψηφιακές εισόδους, η συσκευή είναι εφοδιασμένη με ένα πρόσθετο 6-πολικό καλώδιο που είναι ήδη συνδεδεμένο στο PCBA της οθόνης χειρισμού (που βρίσκεται μέσα στη συσκευή). Οι απομακρυσμένες συνδέσεις με οποιοδήποτε ενεργειακό σύστημα πρέπει να πραγματοποιούνται από εξειδικευμένο εγκαταστάτη (κιβώτια συνδέσεων, ακροδέκτες και καλώδια συνδέσεων).

Οι επόμενες εικόνες δίνουν ένα παράδειγμα απομακρυσμένης σύνδεσης (εικ. 24 και εικ. 25) που δεν πρέπει να είναι μακρύτερη από **3 m**.



εικ. 24- Παράδειγμα απομακρυσμένης σύνδεσης

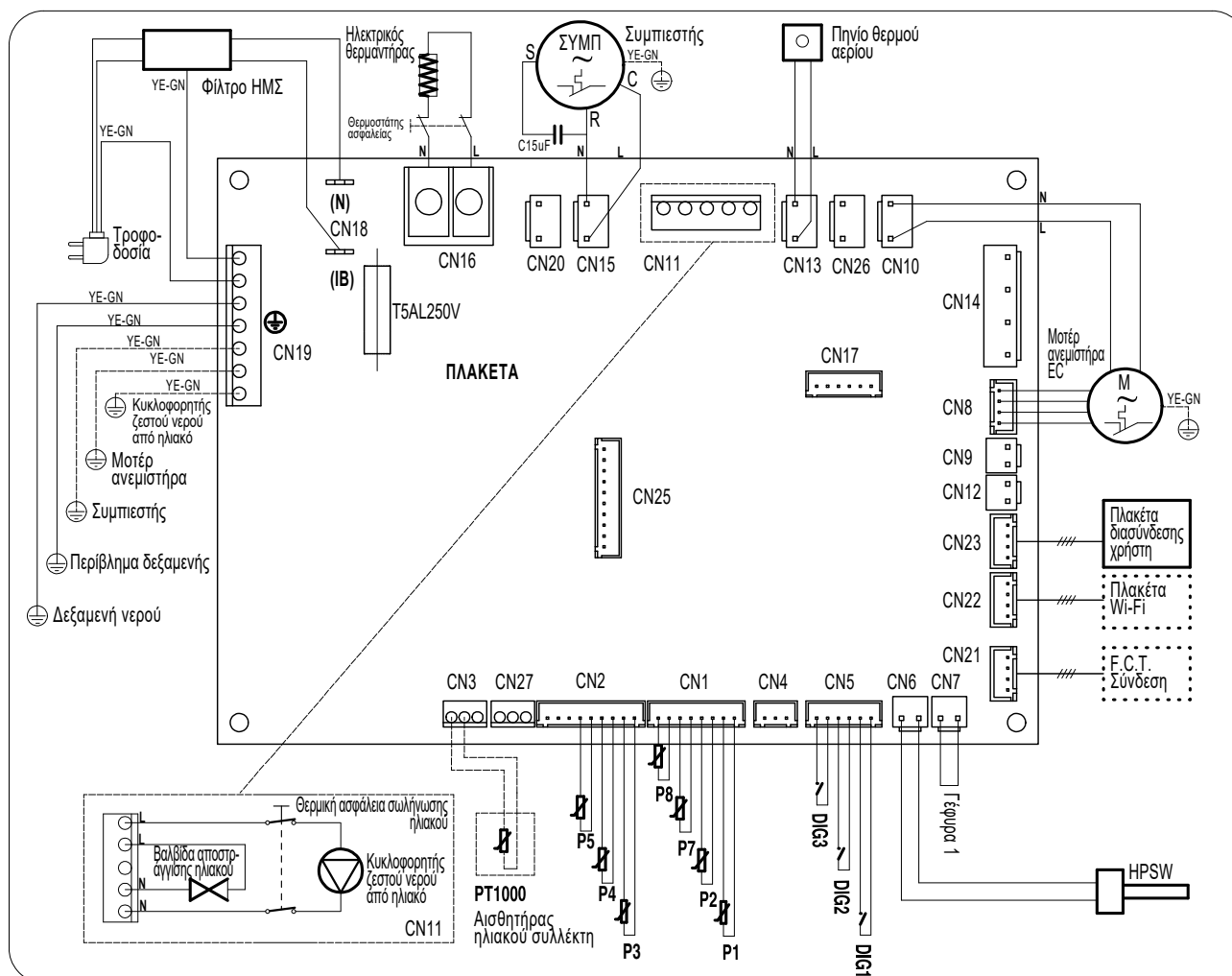


εικ. 25

Για πρόσβαση στο 6-πολικό καλώδιο για απομακρυσμένη σύνδεση, αφαιρέστε το πάνω κάλυμμα του λέβητα και οδηγήστε προς τα έξω

το καλώδιο, που υπάρχει ήδη μέσα στη μονάδα, μέσω του ειδικού στυπιοθλίπτου καλωδίου που είναι εγκατεστημένος στο πίσω κάλυμμα.

6.8 Διάγραμμα καλωδίωσης



εικ. 26- Διάγραμμα καλωδίωσης εξοπλισμού

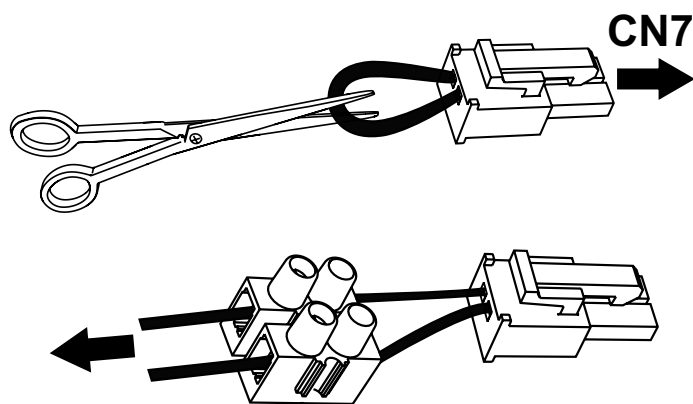
Περιγραφή των διαθέσιμων συνδέσεων στον πίνακα τροφοδοσίας

CN1	Αισθητήρες NTC αέρα, απόψυξης και νερού	CN13	Τροφοδοσία βαλβίδας απόψυξης με ζεστό αέριο
CN2	Μη χρησιμοποιήσιμο	CN14	Μη χρησιμοποιήσιμο
CN3	Αισθητήρας για διαχείριση συστήματος ηλιακού - Μόνο για τα μοντέλα PCV3	CN15	Τροφοδοσία συμπιεστή
CN4	Μη χρησιμοποιήσιμο	CN16	Τροφοδοσία θερμαντικού στοιχείου
CN5	Ψηφιακές εισοδοί ηλιακού συστήματος, φωτοβολταϊκού, χαμηλής χρέωσης	CN17	Μη χρησιμοποιήσιμο
CN6	Πρεσοστάτης υψηλής πίεσης	CN18	Κεντρική τροφοδοσία 230 V - 1 PH - 50 Hz
CN7	Διακόπτη ροής για τον κυκλοφορητή του συστήματος ηλιακού/ZNX (δεν παρέχεται)	CN19	Συνδέσεις γείωσης
CN8	Ηλεκτρονικός έλεγχος (EC) διαμόρφωσης εύρους παλμού ανεμιστήρα	CN20	Τροφοδοσία εναλλασσόμενου ρεύματος τάσης 230 V για μετατροπέα συστήματος ανοδικής προστασίας εξωτερικά επιβαλλόμενου ρεύματος
CN9+CN12	Μη χρησιμοποιήσιμο	CN21	Σύνδεση με έλεγχο/δοκιμή τέλους γραμμής
CN10	Τροφοδοσία ανεμιστήρα EC, AC	CN22	Σύνδεση με κάρτα WI-FI (δεν παρέχεται)
CN11	Κυκλοφορητής ZNX από τον ηλιακό (τύπος ενεργοποιημένο/απενεργοποιημένο (ON/OFF)), βάνα αποστράγγισης ή διάφραγμα ηλιακού συλλέκτη - Μόνο για τα μοντέλα PCV3	CN23	Σύνδεση διασύνδεσης χρήστη
		CN25	Μη χρησιμοποιήσιμο

Για να συνδέσετε έναν διακόπτη ροής ασφαλείας με το κύκλωμα επανακυκλοφορίας του ζεστού νερού από το σύστημα ηλιακού/θερμαντικό με τον εξοπλισμό, προχωρήστε ως εξής (προορίζεται μόνο για τεχνικό προσωπικό με κατάλληλα προσόντα):

- Αποσυνδέστε την παροχή ρεύματος από τον εξοπλισμό.
- Αφαιρέστε το πάνω κάλυμμα του εξοπλισμού και κατόπιν το κάλυμμα της πλακέτας τροφοδοσίας.
- Αποσυνδέστε τον βραχυκυκλωτήρα (γέφυρα 1) από τον σύνδεσμο CN7 της πλακέτας τροφοδοσίας, κατόπιν διακόψτε τον αγωγό που σχηματίζει τη γέφυρα στο μέσον και συνδέστε ένα κατάλληλο ακροδέκτη.
- Κατόπιν συνδέστε έναν διακόπτη ροής που σε κανονική θέση είναι κλειστός (N.C.) και συνδέστε όλα στο CN7.
- Συναρμολογήστε εκ νέου όλα τα πλαστικά και βεβαιωθείτε ότι ο εξοπλισμός έχει εγκατασταθεί σωστά πριν τον τροφοδοτήσετε.

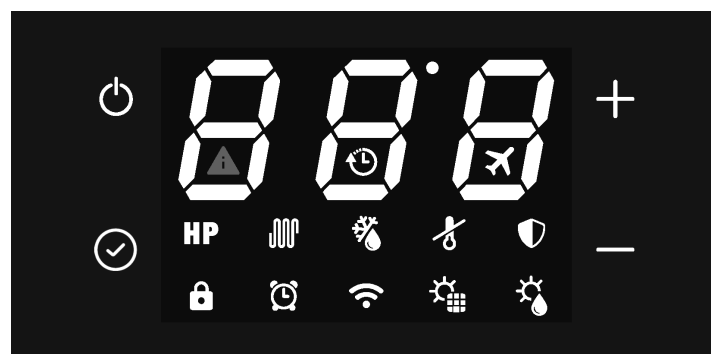
Αν, αντί για αυτό, χρησιμοποιείται ένας διακόπτης ροής που σε κανονική θέση είναι ανοιχτός (N.O.), είναι απαραίτητο να ρυθμίσετε την παράμετρο **P15 = 1** (βλ. παρ.8.1).



Για να συνδέσετε τη θερμική διακοπή (παρέχεται) για τον κυκλοφορητή νερού από τον ηλιακό συλλέκτη, προχωρήστε ως εξής (προορίζεται μόνο για εξειδικευμένο τεχνικό προσωπικό):

- Αποσυνδέστε την παροχή ρεύματος από τη συσκευή.
- Τοποθετήστε το λαμπτήρα εντελώς μέσα στο ειδικό φρεάτιο δεξαμενής ("A") και κλείστε τον στυπιοθλίπτη.
- Ξετυλίξτε αρκετά το τριχοειδές για να τοποθετήσετε το θερμικό διακόπτη μέσα σε ένα κατάλληλο περιβλήμα στερεωμένο στον τοίχο.
- Συνδέστε τον θερμικό διακόπτη σε σειρά με συνδέσεις στη γραμμή τροφοδοσίας ("L") και στον ουδέτερο ("N") του κυκλοφορητή από τον ηλιακό συλλέκτη, για αποσύνδεση όλων των πόλων.
- Επαληθεύστε όλες τις συνδέσεις πριν την έναρξη τροφοδοσίας της συσκευής.

7. ΠΕΡΙΓΡΑΦΗ ΤΗΣ ΟΘΟΝΗΣ ΧΕΙΡΙΣΜΟΥ ΚΑΙ ΛΕΙΤΟΥΡΓΙΑΣ ΤΟΥ ΕΞΟΠΛΙΣΜΟΥ



εικ. 27

Περιγραφή	Σύμβολο
Κουμπί "Ενεργοποίηση / Απενεργοποίηση" για ενεργοποίηση, θέση του προϊόντος σε κατάσταση αναμονής, κουμπί ξεκλειδώματος, αποθήκευση αλλαγών	
Κουμπί "Ρύθμιση" για επεξεργασία της τιμής παραμέτρου, επιβεβαίωση	
Κουμπί "Αύξηση" για αύξηση της τιμής ρύθμισης, της παραμέτρου ή του κωδικού πρόσβασης	
Κουμπί "Μείωση" για μείωση της τιμής ρύθμισης, της παραμέτρου ή του κωδικού πρόσβασης	
Λειτουργία αντλίας θερμότητας (λειτουργία ECO)	HP
Λειτουργία θερμαντικού στοιχείου (ΗΛΕΚΤΡΙΚΗ λειτουργία)	
ΑΥΤΟΜΑΤΗ λειτουργία	HP +
Λειτουργία ΕΝΙΣΧΥΣΗΣ (τα σύμβολα αναβοσβήνουν)	HP +
Κλειδωμά πλήκτρων ενεργό	
Απόψυξη	
Αντιπαγωτική προστασία	
Κύκλος κατά της λεγιονέλλας	
Λειτουργία διακοπών	
Λειτουργία με χρονικά διαστήματα	
Ρύθμιση ρολογιού (σύμβολο αναβοσβήνει)	
Συνδεδεμένο με WI-FI (μη διαθέσιμο για αυτά τα μοντέλα)	
Φωτοβολταϊκή λειτουργία (όταν το σύμβολο αναβοσβήνει το συμπλήρωμα δεν είναι ενεργό)	
Λειτουργία ηλιακού θερμοσυλλέκτη (όταν το σύμβολο αναβοσβήνει το συμπλήρωμα δεν είναι ενεργό)	
Βλάβη ή ενεργή προστασία	
Λειτουργία χαμηλής χρέωσης (Off-Peak) (όταν το σύμβολο αναβοσβήνει ο εξοπλισμός παραμένει σε κατάσταση αναμονής)	

Η οθόνη χειρισμού στο μοντέλο αυτό του θερμοσίφωνα αποτελείται από τέσσερα χωρητικά κουμπιά και μια οθόνη LED.

Μόλις ο θερμοσίφωνας τροφοδοτηθεί με ρεύμα, τα τέσσερα κουμπιά φωτίζονται με οπίσθιο φωτισμό και όλα τα εικονίδια και τα τμήματα οθόνης ανάβουν ταυτόχρονα για 3 δευτερόλεπτα. Κατά τη διάρκεια της κανονικής λειτουργίας του προϊόντος, τα τρία ψηφία στην οθόνη δείχνουν τη θερμοκρασία του νερού σε °C, μετρούμενη με τον άνω αισθητήρα νερού εάν η παράμετρος P11 έχει ρυθμιστεί στο 1 ή με τον κάτω αισθητήρα νερού εάν P11 = 0. Κατά τη διάρκεια της τροποποίησης της επιλεγμένης ρύθμισης θερμοκρασίας, η ρυθμισμένη θερμοκρασία εμφανίζεται στην οθόνη. Τα εικονίδια υποδεικνύουν τον επιλεγμένο τρόπο λειτουργίας, την παρουσία ή όχι συναγερμών, την κατάσταση σύνδεσης Wi-Fi και άλλες πληροφορίες σχετικά με την κατάσταση του προϊόντος.

7.1 Ενεργοποίηση και απενεργοποίηση του θερμοσίφωνα και ξεκλείδωμα των κουμπιών

Όταν ο θερμοσίφωνας τροφοδοτείται σωστά μπορεί να είναι ενεργοποιημένος ("ON") και, συνεπώς, να βρίσκεται σε έναν από τους διαθέσιμους τρόπους λειτουργίας (ECO, Automatic, κλπ) ή σε κατάσταση αναμονής.

Κατά τη λειτουργία αναμονής, τα τέσσερα χωρητικά κουμπιά φωτίζονται με οπίσθιο φωτισμό για εύκολη ορατότητα, το εικονίδιο Wi-Fi ανάβει ανάλογα με την κατάσταση σύνδεσης με εξωτερικό δρομολογητή Wi-Fi (δεν παρέχεται) και, εάν δεν υπάρχουν ενεργοποιημένοι συναγερμοί ή προστασία από παγετό, όλα τα άλλα εικονίδια καθώς και τα τμήματα των τριών ψηφίων είναι απενεργοποιημένα.

Ενεργοποίηση



Με τον θερμοσίφωνα σε κατάσταση αναμονής και τη λειτουργία "Κλείδωμα κουμπιού" ενεργή (το εικονίδιο με την κλειδαριά κάτω αριστερά ανάβει), πρέπει πρώτα να "ξεκλειδώσετε" τα κουμπιά πιέζοντας το κουμπί Ενεργοποίηση/Απενεργοποίηση (ON / OFF) για τουλάχιστον 3 δευτερόλεπτα (το εικονίδιο με την κλειδαριά σβήνει) και, κατόπιν, να πιέσετε ξανά το κουμπί Ενεργοποίηση/Απενεργοποίηση (ON / OFF) για 3 δευτερόλεπτα για να ενεργοποιήσετε τον θερμοσίφωνα.


Απενεργοποίηση


Όταν ο θερμοσίφωνας και η λειτουργία "Κλείδωμα κουμπιού" είναι ενεργοποιημένα, είναι απαραίτητο πρώτα να "ξεκλειδώσετε" τα κουμπιά πιέζοντας το κουμπί Ενεργοποίηση/Απενεργοποίηση (ON / OFF) για τουλάχιστον 3 δευτερόλεπτα και, κατόπιν, να πιέσετε ξανά το κουμπί Ενεργοποίηση/Απενεργοποίηση για 3 δευτερόλεπτα για να απενεργοποιήσετε τον θερμοσίφωνα (σε κατάσταση αναμονής). Σε οποιαδήποτε κατάσταση, 60 δευτερόλεπτα μετά το τελευταίο πάτημα οποιουδήποτε από τα τέσσερα κουμπιά διεπαφής χρήστη, η λειτουργία κλειδώματος κουμπιού ενεργοποιείται αυτομάτως για την αποφυγή πιθανών αλληλεπιδράσεων με τον θερμοσίφωνα, π.χ. από παιδιά, κλπ. Ταυτόχρονα, το επίπεδο οπίσθιου φωτισμού των κουμπιών και της οθόνης μειώνεται για μείωση της κατανάλωσης ενέργειας από τη μονάδα.

Πατώντας οποιοδήποτε από τα τέσσερα κουμπιά, ο οπίσθιος φωτισμός των κουμπιών και της οθόνης θα επιστρέψει αμέσως στο κανονικό του επίπεδο για καλύτερη ορατότητα.

7.2 Ρύθμιση του ρολογιού

Με τα κουμπιά ξεκλείδωτα, πατήστε το κουμπί για  3 δευτερόλεπτα για πρόσβαση στις ρυθμίσεις του ρολογιού (το σύμβολο  αναβοσβήνει).

Ρυθμίστε την ώρα με τα κουμπιά "+" και "-", πιέστε το "" για επιβεβαίωση και μετά ρυθμίστε τα λεπτά.



Πατήστε το κουμπί  για να επιβεβαιώσετε τις ρυθμίσεις.

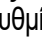
7.3 Ρύθμιση χρονικών διαστημάτων


Το ρολόι που διαθέτει ο εξοπλισμός πρέπει να ρυθμιστεί πριν ενεργοποιήσετε τα χρονικά διαστήματα.


Επιλέξτε τον επιθυμητό τρόπο λειτουργίας και στη συνέχεια ρυθμίστε τα χρονικά διαστήματα.


Τα χρονικά διαστήματα μπορούν να ενεργοποιηθούν μόνο στις λειτουργίες ECO - AUTOMATIC - BOOST - ELECTRIC και VENTILATION.

Με τα κουμπιά απελευθερωμένα, πιέστε ταυτόχρονα το κουμπί  και το κουμπί "-" για 3 δευτερόλεπτα για να ρυθμίσετε τα χρονικά διαστήματα (εμφανίζεται το σύμβολο ).

Ρυθμίστε την ώρα ενεργοποίησης χρησιμοποιώντας τα κουμπιά "+" και "-", πιέστε το "" για επιβεβαίωση και μετά ρυθμίστε τα λεπτά ενεργοποίησης.




Πιέστε το  για επιβεβαίωση και μεταβείτε στη ρύθμιση χρόνου απενεργοποίησης.

Πιέστε το  για επιβεβαίωση και κατόπιν, χρησιμοποιώντας τα κουμπιά "+" και "-", επιλέξτε τον επιθυμητό τρόπο λειτουργίας για το χρονικό διάστημα (ECO, AUTOMATIC, BOOST, ELECTRIC, VENTILATION).

Πιέστε το κουμπί  για επιβεβαίωση και έξοδο.


Σημείωση: Στο τέλος του χρονικού διαστήματος, ο εξοπλισμός μεταβαίνει σε κατάσταση αναμονής και παραμένει σε αυτήν την κατάσταση μέχρι την επανάληψη του χρονικού διαστήματος την επόμενη μέρα



Για να απενεργοποιήσετε τα χρονικά διαστήματα:

- ρυθμίστε τις ώρες ενεργοποίησης και απενεργοποίησης τα μεσάνυχτα (00:00),
- πιέστε το  για επιβεβαίωση,
- πιέστε το κουμπί  και το κουμπί "-" ταυτόχρονα για 3 δευτερόλεπτα (το σύμβολο  σβήνει).

7.4 Ορισμός του σημείου ρύθμισης ζεστού νερού

Ο ορισμός του σημείου ρύθμισης ζεστού νερού είναι διαθέσιμος στις λειτουργίες ECO, AUTOMATIC, BOOST και ELECTRIC

Επιλέξτε την επιθυμητή λειτουργία με το κουμπί , και μετά ορίστε το σημείο ρύθμισης με τα κουμπιά "+" και "-".

Πιέστε το κουμπί  για επιβεβαίωση  και έξοδο.


Αρ.	Σημεία ρύθμισης ζεστού νερού οικιακής χρήσης	
	Εύρος	Προεπιλογή
ECO	43÷62°C	55°C
AUTOMATIC	43÷62°C	55°C
BOOST	43÷75°C*	55°C
ELECTRIC	43÷75°C	55°C

* Στη λειτουργία BOOST, η μέγιστη τιμή ρύθμισης για την αντλία θερμότητας είναι 62°C. Επομένως, ο ορισμός υψηλότερης τιμής λαμβάνεται υπόψη μόνο για το θερμαντικό στοιχείο.

7.5 ΤΡΟΠΟΣ ΛΕΙΤΟΥΡΓΙΑΣ

Για αυτόν τον θερμοσίφωνα είναι διαθέσιμοι οι παρακάτω τρόποι λειτουργίας:

- ECO,
- BOOST,
- ELECTRIC,
- VENTILATION,
- HOLIDAY,
- AUTOMATIC.

Ο εξοπλισμός είναι ρυθμισμένος στη λειτουργία ECO. Αν πιέσετε αυτό το κουμπί , μπορείτε να επιλέξετε την επιθυμητή λειτουργία.

Στις λειτουργίες ECO, BOOST και AUTOMATIC, αν πιέσετε τα κουμπιά "+" και "-" ταυτόχρονα για 3 δευτερόλεπτα, μπορείτε να ενεργοποιήσετε την "αθόρυβη λειτουργία" (για παράδειγμα, κατά τη διάρκεια της νύχτας), η οποία μειώνει τον θόρυβο του εξοπλισμού. Σε αυτές τις συνθήκες, η απόδοση σε όρους ποσότητας ζεστού νερού μπορεί να είναι χαμηλότερη.

Για να απενεργοποιήσετε αυτήν τη λειτουργία, πιέστε ξανά τα κουμπιά "+" και "-" για 3 δευτερόλεπτα.

7.5.1 ECO

Η οθόνη εμφανίζει το σύμβολο **HP**

Σε αυτήν τη λειτουργία χρησιμοποιείται μόνο η αντλία θερμότητας εντός των ορίων λειτουργίας του προϊόντος, για να διασφαλίζεται η μέγιστη δυνατή εξοικονόμηση ενέργειας.

Η αντλία θερμότητας ενεργοποιείται 5 λεπτά μετά την επιλογή αυτής της λειτουργίας ή από την τελευταία απενεργοποίηση.

Σε περίπτωση απενεργοποίησης, εντός των πρώτων 5 λεπτών, η αντλία θερμότητας παραμένει ενεργοποιημένη σε κάθε περίπτωση ώστε να διασφαλίζονται τουλάχιστον 5 λεπτά συνεχούς λειτουργίας.

7.5.2 BOOST

Η οθόνη εμφανίζει τα σύμβολα **HP + ** που αναβοσβήνουν.


Αυτή η λειτουργία χρησιμοποιεί την αντλία θερμότητας και το θερμαντικό στοιχείο, εντός των ορίων λειτουργίας του προϊόντος, για να διασφαλίζεται ταχύτερη θέρμανση.

Η αντλία θερμότητας ενεργοποιείται 5 λεπτά μετά την επιλογή αυτής της λειτουργίας ή από την τελευταία απενεργοποίηση.

Σε περίπτωση απενεργοποίησης, εντός των πρώτων 5 λεπτών, η αντλία θερμότητας παραμένει ενεργοποιημένη σε κάθε περίπτωση ώστε να διασφαλίζονται τουλάχιστον 5 λεπτά συνεχούς λειτουργίας.

Το θερμαντικό στοιχείο ενεργοποιείται αμέσως.

7.5.3 ELECTRIC

Η οθόνη εμφανίζει το σύμβολο ****.

Σε αυτήν τη λειτουργία, μόνο το θερμαντικό στοιχείο χρησιμοποιείται εντός των ορίων λειτουργίας του προϊόντος και είναι χρήσιμη σε περιπτώσεις χαμηλών θερμοκρασιών εισερχόμενου αέρα.


7.5.4 VENTILATION

Η οθόνη εμφανίζει το μήνυμα **F R n**.

Σε αυτήν τη λειτουργία, χρησιμοποιείται μόνο ο ηλεκτρονικός ανεμιστήρας μέσα στη συσκευή για την ανακυκλοφορία του αέρα στο δωμάτιο εγκατάστασης, αν είναι επιθυμητό.


Στην αυτόματη λειτουργία, ο ανεμιστήρας ρυθμίζεται στην ελάχιστη ταχύτητα.

7.5.5 HOLIDAY

Η οθόνη εμφανίζει το σύμβολο ****.


Αυτή η λειτουργία είναι χρήσιμη όταν απουσιάζετε για περιορισμένο χρονικό διάστημα και κατόπιν βρίσκετε αυτομάτως τη συσκευή να λειτουργεί σε αυτόματη λειτουργία.

Χρησιμοποιώντας τα κουμπιά + και -, μπορείτε να ορίσετε τις ημέρες απουσίας κατά τις οποίες θέλετε ο εξοπλισμός να παραμείνει σε κατάσταση αναμονής.

Πιέστε το  και κατόπιν το "off" (απενεργοποίηση) για επιβεβαίωση.



7.5.6 AUTOMATIC

Η οθόνη εμφανίζει το σύμβολο **HP + **.

Σε αυτήν τη λειτουργία, χρησιμοποιείται η αντλία θερμότητας και, εάν είναι απαραίτητο, και το θερμαντικό στοιχείο, εντός των ορίων λειτουργίας του προϊόντος, για να διασφαλίζεται η καλύτερη δυνατή άνεση.

Η αντλία θερμότητας ενεργοποιείται 5 λεπτά μετά την επιλογή αυτής της λειτουργίας ή από την τελευταία απενεργοποίηση.



Σε περίπτωση απενεργοποίησης, εντός των πρώτων 5 λεπτών, η αντλία θερμότητας παραμένει ενεργοποιημένη σε κάθε περίπτωση ώστε να διασφαλίζονται τουλάχιστον 5 λεπτά συνεχούς λειτουργίας.

7.6 ΠΡΟΣΘΕΤΕΣ ΔΥΝΑΤΟΤΗΤΕΣ

7.6.1 Λειτουργία ηλιακού συλλέκτη **HP+** ή **HP+HP** ή **HP+HP+HP**


(Μόνο για τα μοντέλα PCV3)


Όταν η λειτουργία ηλιακού συλλέκτη ενεργοποιείται από το μενού του εγκαταστάτη, είναι διαθέσιμοι μόνο οι τρόποι λειτουργίας ECO - AUTOMATIC - HOLIDAY.

Όταν στην οθόνη αναβοσβήνει το σύμβολο , η λειτουργία ηλιακών δεν είναι ενεργή και η μονάδα λειτουργεί στον καθορισμένο τρόπο λειτουργίας: ECO, AUTOMATIC ή HOLIDAY. Όταν στην οθόνη είναι αναμμένο το σύμβολο , η ενέργεια που παράγεται από το σύστημα ηλιακών χρησιμοποιείται για τη θέρμανση του νερού μέσα στο δοχείο μέσω του coil ηλιακών.

7.6.2 Φωτοβολταϊκή λειτουργία **HP+** ή **HP+HP** ή **HP+HP+HP**

Όταν το φωτοβολταϊκό σύστημα ενεργοποιείται από το μενού του εγκαταστάτη, είναι διαθέσιμοι μόνο οι τρόποι λειτουργίας ECO - AUTOMATIC - HOLIDAY.

Όταν στην οθόνη αναβοσβήνει το σύμβολο , το φωτοβολταϊκό σύστημα δεν λειτουργεί και η μονάδα λειτουργεί στον καθορισμένο τρόπο λειτουργίας: ECO, AUTOMATIC ή HOLIDAY.


Όταν στην οθόνη είναι αναμμένο το σύμβολο , η ενέργεια που παράγεται από το σύστημα φωτοβολταϊκών χρησιμοποιείται για τη θέρμανση του νερού μέσα στο δοχείο.

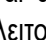
Με επιλεγμένο τον τρόπο λειτουργίας ECO, η αντλία θερμότητας παραμένει σε λειτουργία μέχρι να επιτευχθεί το σημείο ρύθμισης και το θερμαντικό στοιχείο παραμένει ενεργοποιημένο μέχρι να επιτευχθεί το σημείο ρύθμισης φωτοβολταϊκών που έχει καθοριστεί από το μενού του εγκαταστάτη.

Σε αντίθετη περίπτωση, με επιλεγμένο τον τρόπο λειτουργίας AUTOMATIC, το θερμαντικό στοιχείο μπορεί επίσης να ενεργοποιηθεί πριν επιτευχθεί το σημείο ρύθμισης αυτής της λειτουργίας, εάν το απαιτούν οι συνθήκες.


7.6.3 Λειτουργία χαμηλής χρέωσης (Off-Peak) **HP+** ή **HP+HP**

Όταν η λειτουργία φωτοβολταϊκών ενεργοποιείται από το μενού του εγκαταστάτη, είναι διαθέσιμοι μόνο οι τρόποι λειτουργίας ECO - AUTOMATIC.

Όταν στην οθόνη αναβοσβήνει το σύμβολο , η λειτουργία χαμηλής χρέωσης (Off-Peak) δεν είναι ενεργή, η μονάδα παραμένει σε κατάσταση αναμονής και η αντλία θερμότητας και το θερμαντικό στοιχείο παραμένουν απενεργοποιημένα.

Σε αντίθετη περίπτωση, όταν στην οθόνη είναι αναμμένο το σύμβολο , η μονάδα λειτουργεί στον τρόπο λειτουργίας ECO ή AUTOMATIC.

7.6.4 Κατά της λεγιονέλλας

Η οθόνη εμφανίζει το σύμβολο .


Κάθε δύο εβδομάδες, και σε καθορισμένο χρόνο, διεξάγεται ένας κύκλος θέρμανσης νερού μέσω του θερμαντικού στοιχείου μέσα στο δοχείο, μέχρι τη θερμοκρασία κατά της λεγιονέλλας, η οποία διατηρείται για τον καθορισμένο χρόνο.

Εάν, κατά την επίτευξη της θερμοκρασίας κατά της λεγιονέλλας, ο κύκλος δεν διεξαχθεί σωστά εντός 10 ωρών, διακόπτεται και διεξάγεται εκ νέου μετά από 2 εβδομάδες.

Εάν το αίτημα για τη λειτουργία κατά της λεγιονέλλας εμφανιστεί με επιλεγμένη τη λειτουργία διακοπών (HOLIDAY), ο κύκλος κατά της λεγιονέλλας διεξάγεται αμέσως όταν η μονάδα ενεργοποιηθεί εκ νέου μετά τις καθορισμένες ημέρες απουσίας.

Παράμετροι κατά της λεγιονέλλας	Εύρος	Προεπιλογή
Σημείο ρύθμισης της θερμοκρασίας κατά της λεγιονέλλας (P3)	50÷75°C	75°C
Διάρκεια κύκλου κατά της λεγιονέλλας (P4)	0÷90 λεπτά	30 λεπτά
Χρόνος ενεργοποίησης κύκλου κατά της λεγιονέλλας (P29)	0÷23 ώρες	23 ώρες

7.6.5 Λειτουργία απόψυξης

Η οθόνη εμφανίζει το σύμβολο .


Αυτή η συσκευή διαθέτει λειτουργία απόψυξης με αυτόματο εξατμιστή η οποία ενεργοποιείται, όταν το απαιτούν οι συνθήκες λειτουργίας, κατά τη λειτουργία της αντλίας θερμότητας.

Η απόψυξη διεξάγεται με έγχυση καυτού αερίου στον εξατμιστή, επιτρέποντάς του να ξεπαγώσει γρήγορα.

Κατά τη διάρκεια της απόψυξης, το θερμαντικό στοιχείο, που συνοδεύει τον εξοπλισμό, απενεργοποιείται, εκτός εάν ρυθμιστεί διαφορετικά μέσα από το μενού του προγράμματος εγκατάστασης (παράμετρος P6).

Η μέγιστη διάρκεια της απόψυξης είναι 8 λεπτά.

7.6.6 Αντιπαγωτική προστασία














Η οθόνη εμφανίζει το σύμβολο .

Η προστασία αυτή εμποδίζει τη θερμοκρασία του νερού στο εσωτερικό του δοχείου να φτάσει σε τιμές κοντά στο μηδέν.

Με τον εξοπλισμό σε κατάσταση αναμονής, όταν η θερμοκρασία του νερού μέσα στο δοχείο είναι κάτω ή ίση με 5°C (παράμετρος ρυθμιζόμενη από το μενού εγκαταστάτη), ενεργοποιείται η λειτουργία αντιπαγωτικής προστασίας, η οποία ενεργοποιεί το θερμαντικό στοιχείο έως ότου επιτευχθεί θερμοκρασία 12°C (παράμετρος ρυθμιζόμενη από το μενού εγκαταστάτη).

7.7 Σφάλματα/προστασία

Ο εξοπλισμός αυτός διαθέτει αυτοδιαγνωστικό σύστημα που καλύπτει ορισμένα πιθανά σφάλματα ή παρέχει προστασία από ακανόνιστες συνθήκες λειτουργίας μέσω: ανίχνευσης, σηματοδότησης και έναρξης διαδικασίας έκτακτης ανάγκης έως την επίλυση του σφάλματος.

Βλάβη /προστασία	Κωδικός σφάλματος	Ένδειξη στην οθόνη
Βλάβη κάτω αισθητήρα δοχείου	P01	 + P01
Βλάβη άνω αισθητήρα δοχείου	P02	 + P02
Βλάβη αισθητήρα απόψυξης	P03	 + P03
Βλάβη αισθητήρα εισαγωγής αέρα	P04	 + P04
Βλάβη αισθητήρα εισαγωγής εξαμιστή	P05	 + P05
Βλάβη αισθητήρα εξαγωγής εξαμιστή	P06	 + P06
Βλάβη αισθητήρα ροής συμπιεστή	P07	 + P07
Βλάβη αισθητήρα ηλιακού συλλέκτη	P08	 + P08
Προστασία από υψηλή πίεση	E01	 + E01
Συναγερμός κυκλώματος ηλιακού/ανακυκλοφορίας	E02	 +E02
Θερμοκρασία ακατάλληλη για συναγερμό λειτουργίας αντλίας θερμότητας (Όταν ο συναγερμός είναι ενεργός, το νερό θερμαίνεται μόνο με θερμαντικό στοιχείο)	PA	 +PA
Καμία επικοινωνία (όταν ο συναγερμός είναι ενεργός, ο εξοπλισμός δεν λειτουργεί)	E08	 + E08
Βλάβη ηλεκτρονικού ανεμιστήρα	E03	 + E03

Σε περίπτωση οποιασδήποτε από τις παραπάνω βλάβες, είναι απαραίτητο να επικοινωνήσετε με την υπηρεσία τεχνικής βοήθειας του κατασκευαστή, αναφέροντας τον κωδικό σφάλματος που εμφανίζεται στην οθόνη.

8. ΑΡΧΙΚΗ ΕΚΚΙΝΗΣΗ



ΠΡΟΣΟΧΗ! Βεβαιωθείτε ότι ο εξοπλισμός έχει συνδεθεί με καλώδιο γείωσης.



ΠΡΟΣΟΧΗ! Βεβαιωθείτε ότι η τάση γραμμής αντιστοιχεί με εκείνη που αναγράφεται στην πινακίδα του εξοπλισμού.



ΠΡΟΣΟΧΗ: Η συσκευή μπορεί να ενεργοποιηθεί μόνο αφού γεμίσει με νερό.

Συνεχίστε με τις παρακάτω λειτουργίες για αρχική εκκίνηση του εξοπλισμού:

- Μόλις εγκατασταθεί η συσκευή και πραγματοποιηθούν όλες οι συνδέσεις (αεραυλική, υδραυλική, ηλεκτρική, κλπ), πρέπει να γεμίσει με νερό από το οικιακό δίκτυο ύδρευσης. Για να γεμίσετε τη συσκευή, είναι απαραίτητο να ανοίξετε την κεντρική βρύση της τροφοδοσίας από το οικιακό δίκτυο και την πλησιέστερη βρύση ζεστού νερού, διασφαλίζοντας παράλληλα ότι όλος ο αέρας στο δοχείο αποβάλλεται σταδιακά.
- Μην υπερβαίνετε τη μέγιστη επιτρεπτή πίεση που υποδεικνύεται στην ενότητα "Γενικά τεχνικά δεδομένα".
- Ελέγξτε τις συσκευές ασφαλείας του κυκλώματος νερού.
- Συνδέστε τη μονάδα στην πρίζα.
- Όταν συνδεθεί ο ρευματολήπτης, ο λέβητας είναι σε αναμονή, η οθόνη παραμένει σβηστή και το κουμπί λειτουργίας ανάβει.
- Πιέστε το κουμπί ON/OFF, η μονάδα ενεργοποιείται σε τρόπο λειτουργίας "ECO" (εργοστασιακή ρύθμιση).

Μετά την αποκατάσταση ξαφνικής διακοπής ρεύματος, ο εξοπλισμός επανεκκινεί με τον τρόπο λειτουργίας πριν από τη διακοπή.

8.1 Ερώτημα, επεξεργασία παραμέτρων λειτουργίας

Ο εξοπλισμός αυτός διαθέτει δύο ξεχωριστά μενού, αντίστοιχα, για υποβολή ερωτημάτων και επεξεργασία των παραμέτρων λειτουργίας (βλ. "8.1.1 Λίστα παραμέτρων εξοπλισμού").

Με τη λειτουργία του εξοπλισμού, μπορείτε να συμβουλευτείτε ελεύθερα τις παραμέτρους ανά πάσα στιγμή, ξεκλειδώνοντας τα κουμπιά (βλ. "7.1 Ενεργοποίηση και απενεργοποίηση του θερμοσίφωνα και ξεκλείδωμα των κουμπιών") και πιέζοντας τα κουμπιά "☺" και "+" μαζί για 3 δευτερόλεπτα. Η ετικέτα της πρώτης παραμέτρου εμφανίζεται στην οθόνη με το γράμμα "A". Πιέζοντας το κουμπί "+" εμφανίζεται η τιμή του, πιέζοντας ξανά αυτό το κουμπί, εμφανίζεται η ετικέτα της δεύτερης παραμέτρου "B" και ούτω καθεξής. Κατόπιν, ολόκληρη η λίστα παραμέτρων μπορεί να μετακινηθεί προς τα εμπρός ή πίσω με τα κουμπιά "+" και "-".

Πιέστε το κουμπί ΕΝΕΡΓΟΠΟΙΗΣΗ/ΑΠΕΝΕΡΓΟΠΟΙΗΣΗ (ON/OFF) για έξοδο.

Η επεξεργασία μίας ή περισσότερων παραμέτρων λειτουργίας μπορεί να γίνει μόνο εφόσον ο εξοπλισμός βρίσκεται σε κατάσταση αναμονής, και απαιτείται η εισαγωγή του κωδικού πρόσβασης.



Σημ.: "Η χρήση του κωδικού πρόσβασης προορίζεται για εξειδικευμένο προσωπικό. Οποιοσδήποτε συνέπειες λόγω λανθασμένων ρυθμίσεων παραμέτρων θα είναι αποκλειστική ευθύνη του πελάτη. Επομένως, τυχόν παρεμβάσεις που ζητούνται από τον πελάτη από εξουσιοδοτημένο κέντρο τεχνικής βοήθειας DAIKIN κατά τη διάρκεια της τυπικής περιόδου εγγύησης, για προβλήματα προϊόντων λόγω λανθασμένων ρυθμίσεων παραμέτρων που προστατεύονται με κωδικό πρόσβασης, δεν θα καλύπτονται από την τυπική εγγύηση."

Όταν τα κουμπιά είναι ξεκλειδωτά, **μόνο σε λειτουργία αναμονής**, πιέστε τα κουμπιά "☺" και "+" μαζί για 3 δευτερόλεπτα για να αποκτήσετε πρόσβαση στο μενού επεξεργασίας παραμέτρων εξοπλισμού (προστατεύεται με κωδικό πρόσβασης: 35). Η οθόνη εμφανίζει τα δύο ψηφία "00". Πατήστε το κουμπί "☺". Το ψηφίο "0" στα αριστερά αναβοσβήνει και με "+" και "-" επιλέξτε τον πρώτο αριθμό που θα πληκτρολογήσετε (3) και πιέστε "☺" για επιβεβαίωση. Προχωρήστε με τον ίδιο τρόπο για το δεύτερο ψηφίο (5).

Εάν ο κωδικός πρόσβασης είναι σωστός, εμφανίζεται η παράμετρος P1. Πιέζοντας το κουμπί "+" εμφανίζεται η προεπιλεγμένη τιμή αυτής της παραμέτρου που μπορεί να αλλάξει πιέζοντας ☺. Χρησιμοποιώντας τα κουμπιά "+" και "-" είναι δυνατή η αλλαγή της τιμής εντός του επιτρεπόμενου εύρους για την παράμετρο αυτή. Κατόπιν, πιέστε ☺ για επιβεβαίωση και το κουμπί "+" για να συνεχίσετε με τις άλλες παραμέτρους.

Αφού επεξεργαστείτε τις επιθυμητές παραμέτρους, πιέστε το κουμπί ενεργοποίησης/απενεργοποίησης (on/off) για αποθήκευση και έξοδο.

Ο εξοπλισμός επιστρέφει τώρα σε κατάσταση αναμονής.

8.1.1 Λίστα παραμέτρων εξοπλισμού

Παράμετρος	Περιγραφή	Εύρος	Προεπιλογή	Σημειώσεις
A	Κάτω αισθητήρας θερμοκρασίας νερού	-30÷99°C	Τιμή μέτρησης	Μη τροποποιήσιμη
B	Άνω αισθητήρας θερμοκρασίας νερού	-30÷99°C	Τιμή μέτρησης	Μη τροποποιήσιμη
C	Αισθητήρας θερμοκρασίας απόψυξης	-30÷99°C	Τιμή μέτρησης	Μη τροποποιήσιμη
D	Αισθητήρας θερμοκρασίας αέρα παροχής	-30÷99°C	Τιμή μέτρησης	Μη τροποποιήσιμη
E	Αισθητήρας θερμοκρασίας αερίου στην είσοδο του εξατμιστή	-30÷99°C	Τιμή μέτρησης / "0°C" εάν P33 = 0	Μη τροποποιήσιμη (1)
F	Αισθητήρας θερμοκρασίας αερίου στην έξοδο του εξατμιστή	-30÷99°C	Τιμή μέτρησης / "0°C" εάν P33 = 0	Μη τροποποιήσιμη (1)
G	Αισθητήρας θερμοκρασίας αερίου στην εκτόνωση του συμπιεστή	0÷125°C	Τιμή μέτρησης / "0°C" εάν P33 = 0	Μη τροποποιήσιμο (1)
H	Αισθητήρας θερμοκρασίας ηλιακού συλλέκτη (PT1000)	0÷150°C	Τιμή μέτρησης / "0°C" εάν P16 = 2	Μη τροποποιήσιμη (2)
I	Αρχική βήμα EEV	30÷500	Τιμή μέτρησης / Τιμή P40 εάν P39 = 1	Μη τροποποιήσιμη (1)
J	Έκδοση υλικολογισμικού της πλακέτας τροφοδοσίας	0÷99	Τρέχουσα τιμή	Μη τροποποιήσιμη
L	Έκδοση υλικολογισμικού διασύνδεσης χρήστη	0÷99	Τρέχουσα τιμή	Μη τροποποιήσιμη
P1	Υστέρηση στον κάτω αισθητήρα νερού για την αντλία θερμότητας σε λειτουργία	2÷15°C	7°C	Τροποποιήσιμη
P2	Καθυστέρηση ενεργοποίησης ηλεκτρικού θερμαντήρα	0÷90 λεπτά	6 λεπτά	Εξαιρέση λειτουργίας
P3	Θερμοκρασία σημείου ρύθμισης κύκλου κατά της λεγιονέλλας	50°C÷75°C	75°C	Τροποποιήσιμη
P4	Διάρκεια κύκλου κατά της λεγιονέλλας	0÷90 λεπτά	30 λεπτά	Τροποποιήσιμη
P5	Λειτουργία απόψυξης	0 = διακοπή συμπιεστή 1 = Με θερμό αέριο	1	Τροποποιήσιμη
P6	Χρήση ηλεκτρικού θερμαντήρα κατά την απόψυξη	0= απενεργοποίηση (OFF) 1= ενεργοποίηση (ON)	0	Τροποποιήσιμη
P7	Καθυστέρηση ανάμεσα σε δύο διαδοχικούς κύκλους απόψυξης	30÷90 λεπτά	60 λεπτά	Τροποποιήσιμη
P8	Οριακή τιμή θερμοκρασίας για έναρξη απόψυξης	-30÷0°C	-5°C	Τροποποιήσιμη
P9	Οριακή τιμή θερμοκρασίας για λήξη απόψυξης	2÷30°C	3°C	Τροποποιήσιμη
P10	Μέγιστη διάρκεια απόψυξης	3÷12 λεπτά	10 λεπτά	Τροποποιήσιμη
P11	Τιμή του αισθητήρα θερμοκρασίας νερού που εμφανίζεται στην οθόνη	0 = κάτω 1 = επάνω	1	Τροποποιήσιμη
P12	Λειτουργία χρήσης εξωτερικής αντλίας	0 = πάντα απενεργοποιημένη (OFF) 1 = ανακυκλοφορία ζεστού νερού 2 = Σύστημα ηλιακού	1	Τροποποιήσιμη
P13	Τρόπος λειτουργίας κυκλοφορητή ανακυκλοφορίας ζεστού νερού	0 = με αντλία θερμότητας 1 = πάντα ενεργοποιημένο (ON)	0	Τροποποιήσιμο
P14	Τύπος ανεμιστήρα εξατμιστή (EC, AC, AC με διπλή ταχύτητα, EC με δυναμικό έλεγχο ταχύτητας)	0 = EC 1 = AC 2 = AC με διπλή ταχύτητα 3 = EC με δυναμικό έλεγχο ταχύτητας	3	Τροποποιήσιμο
P15	Τύπος διακόπτη ροής ασφαλείας για κύκλωμα ανακυκλοφορίας ζεστού νερού / νερού ηλιακών, διακόπτης επιλογής χαμηλής πίεσης	0 = NC 1 = NO 2 = διακόπτης επιλογής χαμηλής πίεσης	0	Τροποποιήσιμο
P16	Ενσωματωμένος ηλιακός τρόπος λειτουργίας	0 = μόνιμη απενεργοποίηση 1 = λειτουργία με DIG1 2 = Άμεσος έλεγχος με ηλιακό σύστημα θέρμανσης	0	Τροποποιήσιμο (2)
P17	Καθυστέρηση εκκίνησης αντλίας θερμότητας μετά το άνοιγμα του DIG1	10÷60 λεπτά	20 λεπτά	Τροποποιήσιμο (2)

Παράμετρος	Περιγραφή	Εύρος	Προεπιλογή	Σημειώσεις
P18	Τιμή θερμοκρασίας κάτω αισθητήρα νερού για διακοπή της αντλίας θερμότητας με ενσωματωμένο ηλιακό τρόπο λειτουργίας = 1 (λειτουργία με DIG1)	20÷60°C	40°C	Τροποποιήσιμο (2)
P19	Υστέρηση στον κάτω αισθητήρα νερού για εκκίνηση της αντλίας σε συνδυασμό με ηλιακό τρόπο λειτουργίας = 2 (άμεσος έλεγχος με ηλιακό σύστημα θέρμανσης)	-5~20°C	10°C	Τροποποιήσιμο (2)
P20	Όριο θερμοκρασίας για δράση ανασυρόμενου διαφράγματος ηλιακής βάνας αποστράγγισης / ηλιακού συλλέκτη σε συνδυασμό με ηλιακό τρόπο λειτουργίας = 2 (άμεσος έλεγχος θερμικού ηλιακού συστήματος ηλιακής ενέργειας)	100÷150°C	140°C	Τροποποιήσιμο (2)
P21	Τιμή κάτω αισθητήρα θερμοκρασίας νερού για διακοπή της αντλίας θερμότητας σε συνδυασμό με φωτοβολταϊκό τρόπο λειτουργίας	30÷70°C	62°C	Τροποποιήσιμο
P22	Τιμή θερμοκρασίας άνω αισθητήρα νερού για διακοπή του ηλεκτρικού θερμαντήρα σε συνδυασμό με φωτοβολταϊκή λειτουργία	30÷80°C	75°C	Τροποποιήσιμο
P23	Ενσωματωμένη φωτοβολταϊκή λειτουργία	0 = μόνιμη απενεργοποίηση 1 = ενεργοποίηση	0	Τροποποιήσιμο
P24	Τρόπος λειτουργίας χαμηλής χρέωσης	0 = μόνιμη απενεργοποίηση 1 = ενεργοποιημένο με ECO 2 = ενεργοποιημένο με AUTO	0	Τροποποιήσιμο
P25	Τιμή απόκλισης στον κάτω αισθητήρα θερμοκρασίας νερού	-25÷25°C	2°C	Τροποποιήσιμο
P26	Τιμή μετατόπισης στον κάτω αισθητήρα θερμοκρασίας νερού	-25÷25°C	2°C	Τροποποιήσιμο
P27	Τιμή μετατόπισης στον αισθητήρα θερμοκρασίας αέρα εισόδου	-25÷25°C	0°C	Τροποποιήσιμο
P28	Τιμή μετατόπισης στον αισθητήρα θερμοκρασίας απόψυξης	-25÷25°C	0°C	Τροποποιήσιμο
P29	Ώρα έναρξης κύκλου κατά της λεγιονέλλας	0÷23 ώρες	23 ώρες	Τροποποιήσιμο
P30	Υστέρηση στον άνω αισθητήρα νερού για λειτουργία ηλεκτρικού θερμαντήρα	2÷20°C	7°C	Τροποποιήσιμο
P31	Περίοδος εργασίας αντλίας θερμότητας σε αυτόματη λειτουργία (AUTO) για υπολογισμό του ποσοστού θέρμανσης	10÷80 λεπτά	30 λεπτά	Τροποποιήσιμο
P32	Θερμοκρασιακή οριακή τιμή για χρήση ηλεκτρικού θερμαντήρα σε αυτόματη λειτουργία (AUTO)	0÷20°C	4°C	Τροποποιήσιμο
P33	Έλεγχος ηλεκτρονικής εκτονωτικής βαλβίδας (EEV)	0 = μόνιμη απενεργοποίηση 1 = ενεργοποίηση	1	Τροποποιήσιμο (1)
P34	Περίοδος υπολογισμού υπερθέρμανσης για τη λειτουργία αυτομάτων ελέγχου της ηλεκτρονικής εκτονωτικής βαλβίδας (EEV)	20÷90 δευτερόλεπτα	30 δευτερόλεπτα	Τροποποιήσιμο (1)
P35	Σημείο ρύθμισης υπερθέρμανσης για λειτουργία αυτομάτου ελέγχου της ηλεκτρονικής εκτονωτικής βαλβίδας (EEV)	-8÷15°C	4°C	Τροποποιήσιμο (1)
P36	Σημείο ρύθμισης απο-υπερθέρμανσης για λειτουργία αυτομάτου ελέγχου της ηλεκτρονικής εκτονωτικής βαλβίδας (EEV)	60÷110°C	88°C	Τροποποιήσιμο (1)
P37	Βήμα EEV που ανοίγει κατά τη διάρκεια του κύκλου απόψυξης (x10)	5÷50	15	Τροποποιήσιμο (1)

Παράμετρος	Περιγραφή	Εύρος	Προεπιλογή	Σημειώσεις
P38	Ελάχιστο βήμα ανοίγματος EEV με αυτόματη λειτουργία ελέγχου (x10)	3~45	9	Τροποποιήσιμο (1)
P39	Λειτουργία ελέγχου EEV	0= αυτόματη 1 = χειροκίνητη	0	Τροποποιήσιμο (1)
P40	Αρχικό βήμα ανοίγματος EEV με λειτουργία αυτόματου ελέγχου / βήμα ανοίγματος EEV με χειροκίνητη λειτουργία ελέγχου (x10)	5÷50	25	Τροποποιήσιμο (1)
P41	Οριακή τιμή θερμοκρασίας AKP1 για κέρδος EEV KP1	-10÷10°C	-1	Τροποποιήσιμο (1)
P42	Οριακή τιμή θερμοκρασίας AKP2 για κέρδος EEV KP2	-10÷10°C	0	Τροποποιήσιμο (1)
P43	Οριακή τιμή θερμοκρασίας AKP3 για κέρδος EEV KP3	-10÷10°C	0	Τροποποιήσιμο (1)
P44	Κέρδος EEV KP1	-10÷10	2	Τροποποιήσιμο (1)
P45	Κέρδος EEV KP2	-10÷10	2	Τροποποιήσιμο (1)
P46	Κέρδος EEV KP3	-10÷10	1	Τροποποιήσιμο (1)
P47	Μέγιστη επιτρεπόμενη θερμοκρασία εισόδου για αντλία θερμότητας σε λειτουργία	38÷43°C	43°C	Τροποποιήσιμο
P48	Ελάχιστη επιτρεπόμενη θερμοκρασία εισόδου για αντλία θερμότητας σε λειτουργία	-10÷10°C	-7°C	Τροποποιήσιμο
P49	Όριο θερμοκρασίας εισόδου για εξαμιστή EC ή AC με ρύθμιση ταχύτητας φυσστήρα διπλής ταχύτητας	10÷40°C	25°C	Τροποποιήσιμο
P50	Σημείο ρύθμισης χαμηλότερης θερμοκρασίας νερού για αντιψυκτική προστασία	0÷15°C	12°C	Τροποποιήσιμο
P51	Σημείο ρύθμισης ανώτερης ταχύτητας φυσστήρα εξαμιστή EC	60÷100%	90%	Τροποποιήσιμο
P52	Σημείο ρύθμισης χαμηλότερης ταχύτητας φυσστήρα εξαμιστή EC	10÷60%	50%	Τροποποιήσιμο
P53	Σημείο ρύθμισης ταχύτητας απόψυξης ανεμιστήρα εξαμιστή EC	0÷100%	50%	Τροποποιήσιμο
P54	Χρόνος παράκαμψης πρεσοστατή χαμηλής πίεσης	1÷240 λεπτά	1	Τροποποιήσιμο
P55	Αναλογική ρύθμιση θερμοκρασίας εξαμιστή Ζώνης 1	1÷20°C	4°C	Τροποποιήσιμο
P56	Διαφορική θερμοκρασία με ενεργοποίηση της μέγιστης ταχύτητας	P57÷20°C	2°C	Τροποποιήσιμο
P57	Διαφορική θερμοκρασία με απενεργοποίηση της μέγιστης ταχύτητας	1°C÷P56	1°C	Τροποποιήσιμο
P58	Χρήση του ανεμιστήρα εξαμιστή με απενεργοποιημένο συμπιεστή	0= ΑΠΕΝΕΡΓΟΠΟΙΗΣΗ 1 = ΕΝΕΡΓΟΠΟΙΗΣΗ με μη αυτόματο έλεγχο της ταχύτητας 2 = ΕΝΕΡΓΟΠΟΙΗΣΗ με αυτόματο έλεγχο της ταχύτητας	0	Τροποποιήσιμο
P59	Ταχύτητα ανεμιστήρα εξαμιστή (EC) με απενεργοποιημένο συμπιεστή	0÷100%	40%	Τροποποιήσιμο
P60	Διαφορά θερμοκρασίας 1 της εξάτμισης του αέρα για τον υπολογισμό του σημείου ρύθμισης	1÷25°C	4°C	Τροποποιήσιμο
P61	Διαφορά θερμοκρασίας 2 της εξάτμισης του αέρα για τον υπολογισμό του σημείου ρύθμισης	1÷25°C	2°C	Τροποποιήσιμο
P62	Διαφορά θερμοκρασίας 3 της εξάτμισης του αέρα για τον υπολογισμό του σημείου ρύθμισης	1÷25°C	6°C	Τροποποιήσιμο
P63	Διαφορά θερμοκρασίας 4 της εξάτμισης του αέρα για τον υπολογισμό του σημείου ρύθμισης	1÷25°C	3°C	Τροποποιήσιμο

Παράμετρος	Περιγραφή	Εύρος	Προεπιλογή	Σημειώσεις
P64	Διαφορά θερμοκρασίας 5 της εξάτμισης του αέρα για τον υπολογισμό του σημείου ρύθμισης	1±25°C	10°C	Τροποποιήσιμο
P65	Διαφορά θερμοκρασίας 6 της εξάτμισης του αέρα για τον υπολογισμό του σημείου ρύθμισης	1±25°C	18°C	Τροποποιήσιμο
P66	Αναλογική ρύθμιση θερμοκρασίας εξατμιστή Ζώνης 2	1±20°C	2°C	Τροποποιήσιμο
P67	Αναλογική ρύθμιση θερμοκρασίας εξατμιστή Ζώνης 3	1±20°C	9°C	Τροποποιήσιμο
P68	Αναλογική ρύθμιση θερμοκρασίας εξατμιστή Ζώνης 4	1±20°C	5°C	Τροποποιήσιμο
P69	Αναλογική ρύθμιση θερμοκρασίας εξατμιστή Ζώνης 5	1±20°C	10°C	Τροποποιήσιμο
P70	Αναλογική ρύθμιση θερμοκρασίας εξατμιστή Ζώνης 6	1±20°C	5°C	Τροποποιήσιμο
P71	Μείωση ταχύτητας ανεμιστήρα εξατμιστή EC για αθόρυβη λειτουργία	0÷40%	15%	Τροποποιήσιμο
P72	Απολαβή ρυθμιστή ταχύτητας ανεμιστήρα EC	1÷100	5	Τροποποιήσιμο

(1) = ΔΕΝ ΧΡΗΣΙΜΟΠΟΙΕΙΤΑΙ ΜΕ ΤΗ ΣΥΣΚΕΥΗ ΑΥΤΗ

(2) = ΜΟΝΟ ΓΙΑ ΤΑ ΜΟΝΤΕΛΑ "ΕΚΗΗΕ200PCV37, ΕΚΗΗΕ260PCV37"

9. ΑΝΤΙΜΕΤΩΠΙΣΗ ΠΡΟΒΛΗΜΑΤΩΝ



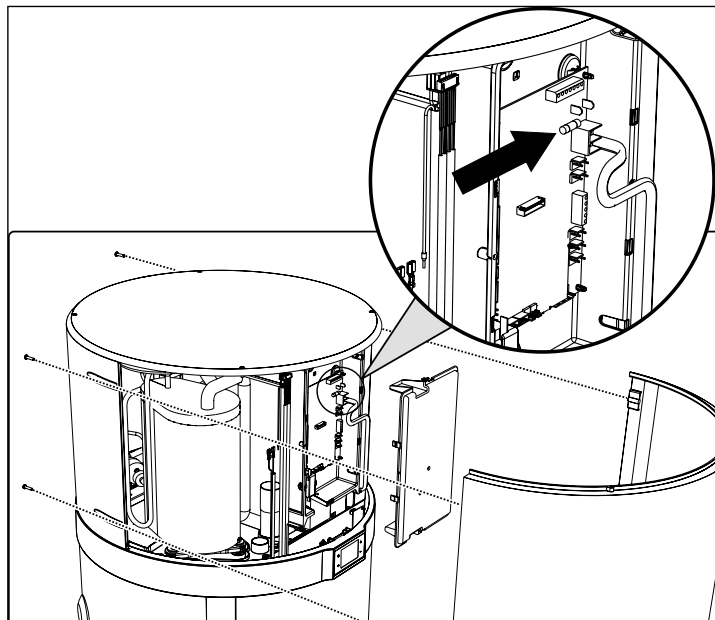
ΠΡΟΣΟΧΗ: Μην επιχειρήσετε να επισκευάσετε τη συσκευή σας μόνοι σας. Οι παρακάτω έλεγχοι προορίζονται μόνο για εξειδικευμένο προσωπικό.

Βλάβη	Συνιστώμενη ενέργεια
Ο εξοπλισμός δεν ενεργοποιείται	<ul style="list-style-type: none"> Ελέγξτε ότι το προϊόν τροφοδοτείται κανονικά από το δίκτυο. Αποσυνδέστε τον εξοπλισμό και κατόπιν συνδέστε τον και πάλι μετά από λίγα λεπτά. Ελέγξτε το καλώδιο ρεύματος μέσα στο προϊόν. Βεβαιωθείτε ότι η ασφάλεια στην πλακέτα τροφοδοσίας είναι άθικτη. Εάν όχι, αντικαταστήστε την με ρελέ 5-A χρονοκαθυστέρησης και πιστοποίηση IEC-60127-2 / II.
Το νερό δεν μπορεί να θερμανθεί μέσω της αντλίας θερμότητας σε λειτουργία ECO ή AUTOMATIC	<ul style="list-style-type: none"> Απενεργοποιήστε τον εξοπλισμό και μετά ενεργοποιήστε τον και πάλι μετά από μερικές ώρες. Αποσυνδέστε τον εξοπλισμό από το δίκτυο παροχής ηλεκτρικής ενέργειας, αποστραγγίστε μέρος του νερού που περιέχεται στο δοχείο (περίπου 50%) και κατόπιν ξαναγεμίστε τον και ενεργοποιήστε ξανά τον εξοπλισμό σε λειτουργία ECO.
Η αντλία θερμότητας παραμένει ενεργοποιημένη χωρίς να σταματήσει ποτέ	<ul style="list-style-type: none"> Χωρίς να τραβάτε ζεστό νερό από το προϊόν, βεβαιωθείτε ότι μέσα σε λίγες ώρες η θέρμανση μέσω της αντλίας θερμότητας λειτουργεί κανονικά.
Το νερό δεν μπορεί να θερμανθεί μέσω του ενσωματωμένου θερμαντικού στοιχείου σε λειτουργία AUTOMATIC	<ul style="list-style-type: none"> Απενεργοποιήστε τον εξοπλισμό και ελέγξτε τον θερμοστάτη ασφαλείας του θερμαντικού στοιχείου μέσα στον εξοπλισμό και επαναφέρετε τον εάν είναι απαραίτητο. Κατόπιν, ενεργοποιήστε τον εξοπλισμό σε τρόπο λειτουργίας AUTOMATIC. Αποσυνδέστε τον εξοπλισμό από το δίκτυο παροχής ηλεκτρικής ενέργειας, αποστραγγίστε μέρος του νερού που περιέχεται στο δοχείο (περίπου 50%) και κατόπιν ξαναγεμίστε τον και ενεργοποιήστε και πάλι τον εξοπλισμό σε τρόπο λειτουργίας AUTOMATIC. Μεταβείτε στο μενού του προγράμματος εγκατάστασης και αυξήστε την τιμή της παραμέτρου P32, π.χ. στους 7°C. Ελέγξτε ότι δεν έχει παρέμβει ο θερμοστάτης ασφαλείας του θερμαντικού στοιχείου (βλ. 9.2)

9.1 Αντικατάσταση των ασφαλειών της πλακέτας τροφοδοσίας

Συνεχίστε όπως υποδεικνύεται παρακάτω (προορίζεται μόνο για εξειδικευμένο τεχνικό προσωπικό):

- Αποσυνδέστε την παροχή ρεύματος από τον εξοπλισμό.
- Αφαιρέστε το πάνω κάλυμμα του εξοπλισμού και κατόπιν το κάλυμμα της πλακέτας τροφοδοσίας.
- Αφαιρέστε το καπάκι της ασφάλειας και μετά την ασφάλεια, χρησιμοποιώντας ένα κατάλληλο κατσαβίδι.
- Τοποθετήστε μια νέα πιστοποιημένη ασφάλεια IEC-60127-2/II 5 A (T5AL250V) με χρονοκαθυστέρηση και, κατόπιν, επανατοποθετήστε το προστατευτικό κάλυμμα.
- Συναρμολογήστε εκ νέου όλα τα πλαστικά και βεβαιωθείτε ότι ο εξοπλισμός έχει εγκατασταθεί σωστά πριν τον τροφοδοτήσετε.



εικ. 28

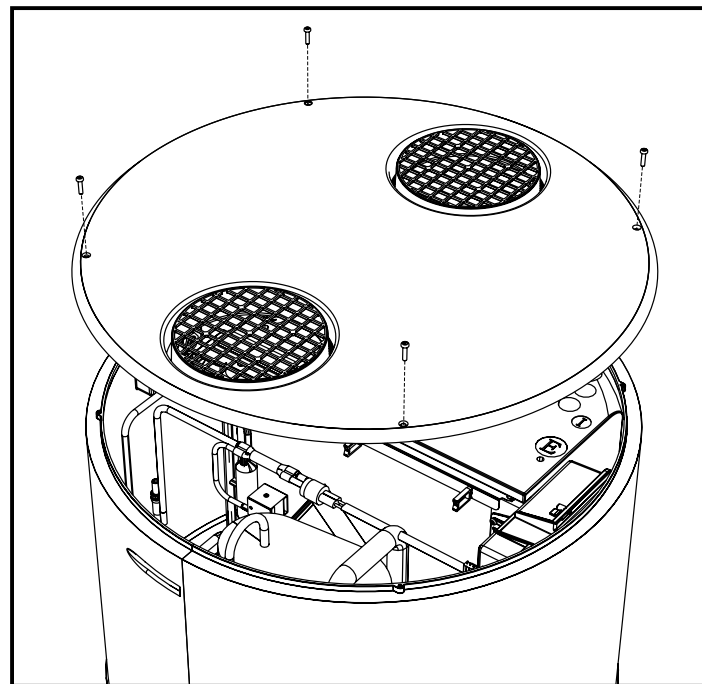
9.2 Επαναφορά του θερμοστάτη ασφαλείας του θερμαντικού στοιχείου

Ο εξοπλισμός αυτός διαθέτει θερμοστάτη ασφαλείας χειροκίνητης επαναφοράς συνδεδεμένο εν σειρά με το θερμαντικό στοιχείο βυθισμένο στο νερό, το οποίο διακόπτει την τροφοδοσία σε περίπτωση υπερθέρμανσης στο εσωτερικό του δοχείου.

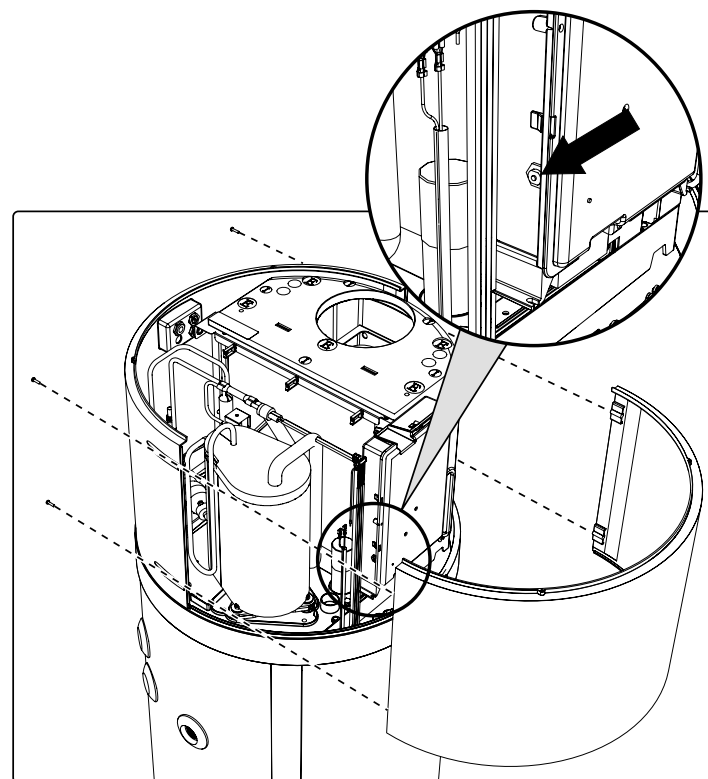
Εάν είναι απαραίτητο, προχωρήστε ως εξής για να επαναφέρετε το θερμοστάτη (προορίζεται για εξειδικευμένο τεχνικό προσωπικό):

- Αποσυνδέστε το προϊόν.
- Αφαιρέστε τυχόν αγωγούς.
- Αφαιρέστε το πάνω κάλυμμα ξεβιδώνοντας πρώτα τις βίδες ασφάλισης (εικ. 29).
- Αφαιρέστε τον μπροστινό πίνακα και επαναφέρετε χειροκίνητα τον ενεργοποιημένο θερμοστάτη ασφαλείας (εικ. 30). Σε περίπτωση παρέμβασης, η κεντρική ακίδα του θερμοστάτη προεξέχει περίπου 2 mm.

- Τοποθετήστε στη θέση του το πάνω κάλυμμα που αφαιρέθηκε προηγουμένως.



εικ. 29- Αφαίρεση πάνω καλύμματος



εικ. 30- Αφαίρεση μπροστινού πλαισίου

ΠΡΟΣΟΧΗ! Η παρέμβαση του θερμοστάτη ασφαλείας μπορεί να προκληθεί από βλάβη που συνδέεται με τον πίνακα ελέγχου ή από απουσία νερού στο εσωτερικό του δοχείου.

ΠΡΟΣΟΧΗ! Η εκτέλεση εργασιών επισκευής σε μέρη με λειτουργία ασφαλείας θέτει σε κίνδυνο την ασφαλή λειτουργία του εξοπλισμού. Αντικαταστήστε τα ελαττωματικά ανταλλακτικά μόνο με γνήσια ανταλλακτικά.

Σημ.: Η παρέμβαση του θερμοστάτη αποκλείει τη λειτουργία του θερμαντικού στοιχείου αλλά όχι του συστήματος της αντλίας θερμότητας, που λειτουργεί μέσα στα επιτρεπόμενα όρια λειτουργίας.

ΠΡΟΣΟΧΗ! Εάν ο χειριστής δεν δύναται να εξαλείψει τη βλάβη, απενεργοποιήστε τον εξοπλισμό και επικοινωνήστε με την Υπηρεσία τεχνικής βοήθειας, κοινοποιώντας το μοντέλο του προϊόντος που αγοράσατε.

10. ΣΥΝΤΗΡΗΣΗ

ΠΡΟΣΟΧΗ! Οποιαδήποτε επισκευή του εξοπλισμού πρέπει να διεξάγεται από εξειδικευμένο προσωπικό. Οι ακατάλληλες επισκευές μπορεί να θέσουν τον χρήστη σε σοβαρό κίνδυνο. Εάν ο εξοπλισμός σας χρειάζεται επισκευή, επικοινωνήστε με το κέντρο σέρβις.

ΠΡΟΣΟΧΗ! Πριν από οποιαδήποτε εργασία συντήρησης, βεβαιωθείτε ότι ο εξοπλισμός δεν τροφοδοτείται και δεν μπορεί να τροφοδοτηθεί με ρεύμα κατά λάθος. Επομένως, αποσυνδέστε το ρεύμα σε κάθε εργασία συντήρησης ή καθαρισμού.

10.1 Έλεγχος αναλώσιμου/αντικαταστάσιμου ανοδίου

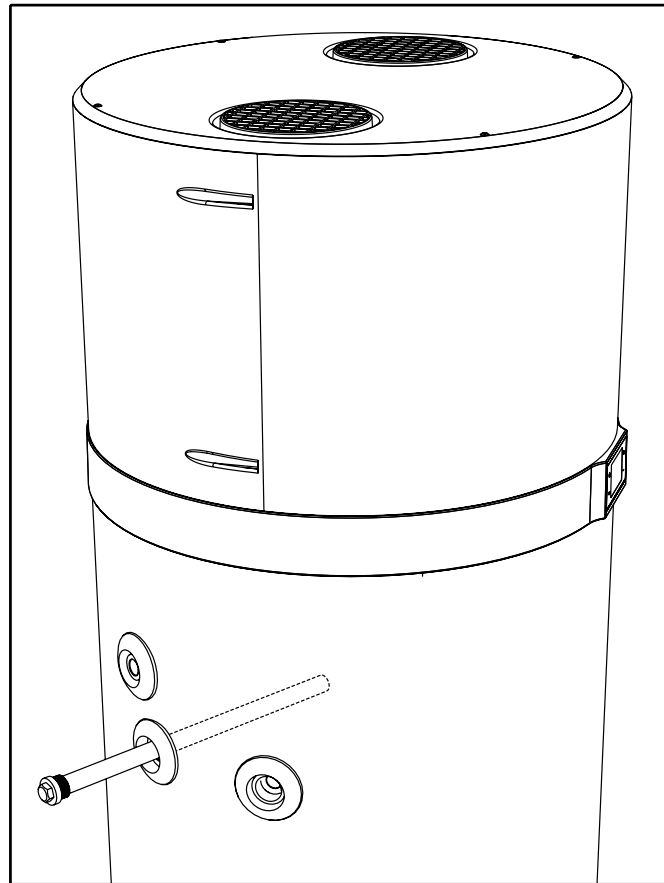
Το ανοδίο μαγνησίου (Mg), που ονομάζεται επίσης "αναλώσιμο ανοδίο", αποτρέπει τυχόν ρεύματα Foucault που δημιουργούνται μέσα στο λέβητα όταν ενεργοποιούνται διαδικασίες διάβρωσης της επιφάνειας.

Στην πραγματικότητα, το μαγνήσιο είναι ένα ασθενώς φορτισμένο μέταλλο σε σύγκριση με το υλικό με το οποίο είναι επικαλυμμένο το εσωτερικό του λέβητα, και συνεπώς προσελκύει πρώτα τα αρνητικά φορτία που σχηματίζονται με τη θέρμανση του νερού, καταναλώνοντας τον εαυτό του. Επομένως, το ανοδίο διαβρώνεται και "θυσιάζεται", προστατεύοντας έτσι το δοχείο. Ο λέβητας έχει δύο ανοδία, ένα τοποθετημένο στο κάτω μέρος του δοχείου, και ένα τοποθετημένο στο πάνω μέρος του δοχείου (περιοχή που υπόκειται περισσότερο σε διάβρωση).

Η ακεραιότητα των ανοδίων μαγνησίου πρέπει να ελέγχεται τουλάχιστον κάθε δύο χρόνια (ακόμα καλύτερα, σε ετήσια βάση). Η εργασία πρέπει να πραγματοποιείται από εξειδικευμένο προσωπικό.

Πριν από τον έλεγχο:

- Κλείστε την είσοδο κρύου νερού.
- Συνεχίστε με το άδειασμα του λέβητα (βλ. παρ. "10.2 Άδειασμα λέβητα").
- Ξεβιδώστε το επάνω ανοδίο και ελέγξτε τη διάβρωσή του. Εάν έχει διαβρωθεί περισσότερο από τα 2/3 της επιφάνειας του ανοδίου, αντικαταστήστε το.



ΕΙΚ. 31

Τα ανοδία έχουν ένα ειδικό παρέμβυσμα στεγανοποίησης, για την αποφυγή διαρροών νερού. Συνιστάται η χρήση αναερόβιου στεγανοποιητικού σπειρώματος για χρήση σε συστήματα θέρμανσης-υδραυλικών εγκαταστάσεων. Τα παρεμβύσματα πρέπει να αντικατασταθούν με καινούργια σε περίπτωση ελέγχου και επίσης αντικατάστασης του ανοδίου.

10.2 Άδειασμα λέβητα

Εάν δεν χρησιμοποιείται, ειδικά σε χαμηλές θερμοκρασίες, συνιστάται η αποστράγγιση του νερού από το εσωτερικό του λέβητα. Για τον εν λόγω εξοπλισμό, απλώς αποσυνδέστε τη σύνδεση εισόδου νερού (βλ. παρ. "6.5 Υδραυλικές συνδέσεις"). Κατά την εγκατάσταση του συστήματος, συνιστάται να εγκαταστήσετε έναν αγωγό αποστράγγισης εφοδιασμένο με σύνδεση σωλήνα.

Σημ.: Σε περίπτωση χαμηλών θερμοκρασιών, θυμηθείτε να αδειάσετε το σύστημα για να αποφύγετε το πάγωμα.

11. ΑΠΟΡΡΙΨΗ

Στο τέλος της ωφέλιμης ζωής τους, οι αντλίες θερμότητας πρέπει να απορρίπτονται σύμφωνα με τους ισχύοντες κανονισμούς.



ΠΡΟΣΟΧΗ! Αυτός εξοπλισμός περιέχει φθοριούχα αέρια θερμοκηπίου που περιλαμβάνονται στο πρωτόκολλο του Κιότο. Οι λειτουργίες συντήρησης και απόρριψης πρέπει να πραγματοποιούνται μόνο από εξειδικευμένο προσωπικό.

ΠΛΗΡΟΦΟΡΙΕΣ ΓΙΑ ΤΟΥΣ ΧΡΗΣΤΕΣ



Σύμφωνα με τις οδηγίες 2011/65/ΕΕ και 2012/19/ΕΕ σχετικά με τον περιορισμό της χρήσης επικίνδυνων ουσιών σε ηλεκτρικό και ηλεκτρονικό εξοπλισμό, καθώς και για τη διάθεση αποβλήτων.

Το σύμβολο του διαγραμμένου κάδου στον εξοπλισμό ή στη συσκευασία του υποδεικνύει ότι, στο τέλος της ωφέλιμης ζωής του, το προϊόν πρέπει να συλλέγεται ξεχωριστά από άλλα απόβλητα.

Επομένως, στο τέλος της ωφέλιμης ζωής του προϊόντος, ο χρήστης πρέπει να παραδώσει τον εξοπλισμό στα κατάλληλα κέντρα ανακύκλωσης ηλεκτρικού και ηλεκτρονικού εξοπλισμού ή να επιστρέψει τον εξοπλισμό στον αντιπρόσωπο όταν προμηθεύεται νέο εξοπλισμό ισοδύναμου τύπου για αντικατάσταση του παλαιού. Η επαρκής χωριστή αποκομιδή αποβλήτων και επακόλουθη αποστολή του εξοπλισμού εκτός λειτουργίας σε περιβαλλοντικά συμβατή εγκατάσταση ανακύκλωσης, επεξεργασίας ή/και απόρριψης βοηθά στην πρόληψη αρνητικών επιπτώσεων στο περιβάλλον και στην υγεία και ευνοεί την επαναχρησιμοποίηση ή/και την ανακύκλωση των υλικών από τα οποία είναι κατασκευασμένος ο εξοπλισμός.

Η μη εξουσιοδοτημένη απόρριψη του προϊόντος από τον χρήστη συνεπάγεται την επιβολή των διοικητικών κυρώσεων που προβλέπονται από την ισχύουσα νομοθεσία.

Τα κύρια υλικά που απαρτίζουν τον εν λόγω εξοπλισμό είναι:

- χάλυβας
- μαγνήσιο
- πλαστικό
- χαλκός
- αλουμίνιο
- πολυουρεθάνη

12. ΦΥΛΛΟ ΠΡΟΪΟΝΤΟΣ

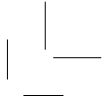
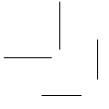
Περιγραφή	μ.μ.	EKHH200CV37	EKHH260CV37	EKHH200PCV37	EKHH260PCV37
Δηλωμένο προφίλ φορτίου	-	L	XL	L	XL
Ρυθμίσεις θερμοκρασίας θερμοστάτη θερμοσίφωνα	°C	55	55	55	55
Κατηγορία ενεργειακής απόδοσης θέρμανσης νερού ⁽¹⁾	-	A+	A+	A+	A+
Ενεργειακή απόδοση θέρμανσης νερού - η_{wh} ⁽¹⁾	%	135	138	135	138
COP _{DHW} ⁽¹⁾	-	3,23	3,37	3,23	3,37
Ετήσια κατανάλωση ηλεκτρικού ρεύματος - AEC ⁽¹⁾	kWh	761	1210	761	1210
Ενεργειακή απόδοση θέρμανσης νερού - η_{wh} ⁽²⁾	%	106	112	106	112
COP _{DHW} ⁽²⁾	-	2,55	2,73	2,55	2,73
Ετήσια κατανάλωση ηλεκτρικού ρεύματος - AEC ⁽²⁾	kWh	944	1496	944	1496
Ενεργειακή απόδοση θέρμανσης νερού - η_{wh} ⁽³⁾	%	162	160	162	160
COP _{DHW} ⁽³⁾	-	3,89	3,9	3,89	3,9
Ετήσια κατανάλωση ηλεκτρικού ρεύματος - AEC ⁽³⁾	kWh	631	1046	631	1046
Στάθμη ηχητικής ισχύος εσωτερικής μονάδας ⁽⁴⁾	dB (A)	53	51	53	51
Στάθμη ηχητικής ισχύος εξωτερικής μονάδας ⁽⁴⁾	dB (A)	45	44	45	44
Ο θερμοσίφωνα μπορεί να λειτουργήσει μόνο σε ώρες χαμηλής χρέωσης	-	OXI	OXI	OXI	OXI
Ειδικές προφυλάξεις που λαμβάνονται κατά τη συναρμολόγηση, την εγκατάσταση ή τη συντήρηση του θερμοσίφωνα	-	Βλ. εγχειρίδιο			

(1): Δεδομένα σύμφωνα με το πρότυπο EN 16147: 2017 για ΜΕΣΕΣ κλιματικές συνθήκες (μονάδα στη λειτουργία ECO, εισερχόμενο νερό = 10°C, θερμοκρασία αέρα εισόδου = 7°C DB / 6°C WB)

(2): Δεδομένα σύμφωνα με το πρότυπο EN 16147: 2017 για ΨΥΧΡΟΤΕΡΕΣ κλιματικές συνθήκες (μονάδα στη λειτουργία ECO, εισερχόμενο νερό = 10°C, θερμοκρασία αέρα εισόδου = 2°C DB / 1°C WB)

(3): Δεδομένα σύμφωνα με το πρότυπο EN 16147: 2017 για ΘΕΡΜΟΤΕΡΕΣ κλιματικές συνθήκες (μονάδα στη λειτουργία ECO, εισερχόμενο νερό = 10°C, θερμοκρασία αέρα εισόδου = 14°C DB / 13°C WB)

(4): Δεδομένα σύμφωνα με το πρότυπο EN 12102-2: 2019, λειτουργία ECO με θερμοκρασία αέρα εισόδου = 7°C DB / 6°C WB



DAIKIN EUROPE N.V.

Zandvoordestraat 300, B-8400 Oostende, Belgium

Copyright 2021 Daikin

2021.12

